

ABL Air Handlers for Chillers

Low-Profile Models



ABL18DCZ shown

The ABL series is an improved low-profile, draw-through chilled-water air handler. Insulating foam covers the condensate pan, blower housing, shroud, and coil end cover to reduce noise and secondary condensation. The condensate pan also has an anti-slosh, anti-fungal foam lining.

ABL air handlers are an excellent choice for over-head applications where height is limited. Typically, each cabin or area has one or more air handlers with an independent climate control to provide passengers with the most comfortable environment on the water.

Key Benefits

- DC blowers are strong and quiet at any speed.
- Suspend from above or support from beneath, vibration isolation included.
- Heater elements accessible from underneath (standard) or from above (optional).
- Bypass valve has removable power head for simple servicing.
- Valve body is soldered to unit to prevent leaks.
- The electrical box can be mounted remotely up to six' (1.8m) away.
- Remote air bleeder on six feet (1.8m) of flexible tubing with easy-operating ball valve.
- Washable air filter included. Micro-Particle Anti-Allergenic air filters available.

Optional Features

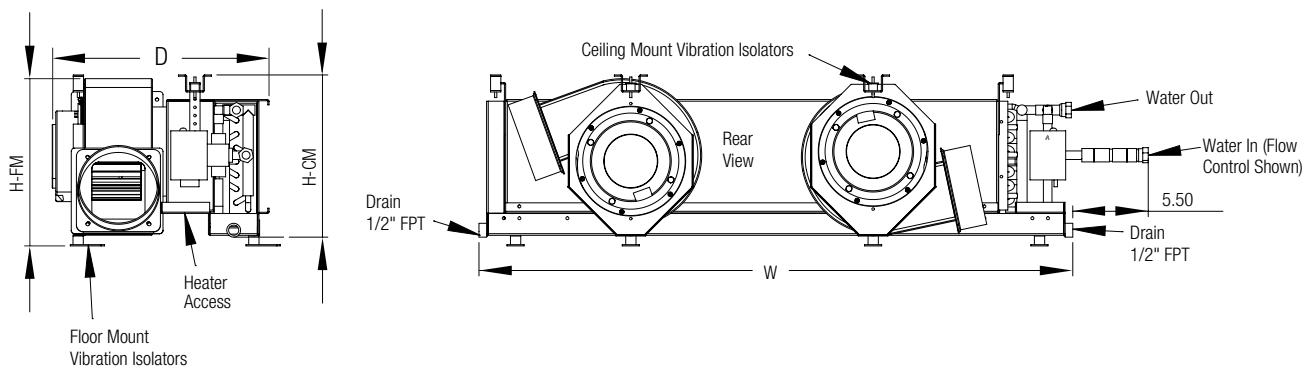
- Valve on left (standard) or on right (optional).
- Heater elements accessible from underneath (standard) or from above (optional).
- Flow control helps balance chilled water distribution throughout the boat by ensuring that no air handler so equipped receives more flow than required. This eliminates the tedious job of trying to manually balance system flow.

Technical Specifications for ABL Air Handlers

Model	ABL18DCZ	ABL24DCZ
Capacity (BTU/Hr)	18,000	24,000
Voltage	208-230/50-60/1	208-230/50-60/1
Amps (FLA) Cool	6.4	6.4
Optional Heater KW	3	3
Heater Amps	13.04	13.04
Amps (FLA) Heat	19.4	19.4
Max. Fuse		
Without Electric Heat	10	10
With Electric Heat	25	25
Min. Circuit Ampacity		
Without Electric Heat	8	8
With Electric Heat	21	21
GPM	4.5	6
CFM	600	800
External static pressure (in H2O)	2.7	2.5
Dimensions (in/mm)		
Height Ceiling Mount, H-CM	11.9/302.25	11.9/302.25
Height Floor Mount, H-FM	12.2/309.90	12.2/309.90
Width, W	37.3/947.40	43.3/1099.80
Depth, D	15.8/401.30	15.8/401.30
Dual Duct Rings (in/mm)	6/152.40	6/152.40
Total Return Air Inlet (sq in)	200	240
Supply Air Outlet for Each Blower (sq in)	50 + 50	70 + 70
Drain Connections, Female NPT (in)	1/2"	1/2"
Chilled Water Connections, Female NPT (in)	1/2"	1/2"
Net Weight (lbs/kg)	63/28.35	66/29.94
Gross Weight (lbs/kg)	72/32.40	81/36.74

Notes:

Dimensions are ± 0.3 inches or 7.62 mm. Blower amps will be reduced at lower speed/cfm/static pressure.



Dealer:

DOMETIC MARINE

2000 N. Andrews Ave. Ext. I Pompano Beach, FL 33069 USA | 954-973-2477 | Fax 954-979-4414
www.dometic.com

United States & Canada Service Hours:

8:00 AM to 5:00 PM Eastern Time

24/7 AC SERVICE HOTLINE: 5:00PM to 8:00 AM: 888-440-4494

International Sales & Service:

Europe & the Middle East: Call +44(0)870-330-6101

For all other areas visit our website to find your nearest distributor.

