

8700 Series Macerator Toilets

Premium elegance and comfort.

Available
3rd quarter,
2009



8700 series
MasterFlush toilet
with electronic
flush handle



8700 series
MasterFlush toilet
with electronic
touchpad

For the look, feel and user-friendly performance of an upscale residential toilet, new Dometic 8700 series macerator toilets, powered with MasterFlush™ technology, deliver it all.

Discriminating boat owners will appreciate the full-scale residential styling, complete with elongated wood seat and lustrous, sparkling ceramic finish. The robust effluent macerator operates 30 percent more efficiently than previous Dometic macerator models.

Dometic 8700 series toilets provide an abundance of features to satisfy diverse owner preferences and boatbuilder requirements. 8700 series toilets come in standard-height units with above-floor or below-floor discharge options. Electronic flushing can be activated by either a residential-style handle or wall-mounted switch. Additional options include toilet or toilet/bidet combination, and a choice of white, bone or ebony colors.

Dometic 8700 series macerator toilets offer two flush settings to help manage water use. The "Normal" flush setting consumes 3.2 liters (0.85 gal.) of water and adds a small amount of water to the bowl after every flush, and "Dry Bowl" flushing uses only 1.7 liters (0.45 gal.) per flush and does not add water to the bowl.

Key Benefits

- Powerful macerator flush.
- Standard height models with full-size residential-style seat.
- Through-the-floor or through-the-wall discharge options.
- Toilet only or toilet/bidet combination models.
- "Normal" or "Dry Bowl" flush options.
- Electronic flush handle, standard electronic touchpad, or popular Vimar and Gewiss switch options.
- 12 V DC or 24 V DC operation.

Specifications for 8700 Series MasterFlush™ Toilets

Model / Series	Flushing Technology	Flush Switch Options	Height	Integrated Bidet Function	Matching Bidet	Flat back	Colors	Seat
8700	Macerator	Wall mounted switch (not included) or flush lever on side of toilet	Tall only	Available mid-2009	No	Yes	White, bone or ebony	Elongated, solid wood

Minimum System Requirements

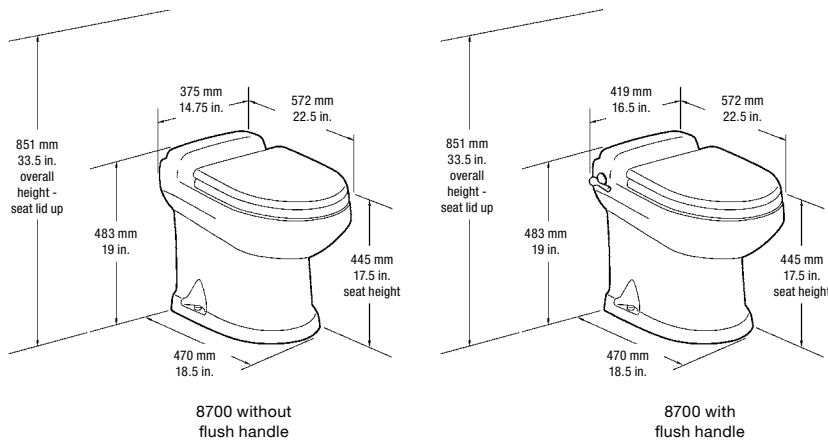
Electrical	Circuit breaker	25 amps/12 V DC; 15 amps/24 V DC
	Wiring	12 ga. (up to 6.1 m/20 ft. from breaker)
Water Supply	ID	13 mm /0.5 in.
	Flow rate	9.5 lpm /2.5 gpm
Discharge	ID	38 mm /1.5 in. or 25 mm /1 in. minimum
	Horizontal run	30 m/98 ft. maximum
	Vertical run	3 m/9.8 ft. maximum
	Tank capacity	114 liters/30 gal. recommended

Specifications subject to change without notice.

Flush Settings

Change from “Normal” to “Dry Bowl” flush option by pressing “flush” switch for about five seconds. When “power on” light begins flashing on indicator panel, release “flush” switch. Flush setting has been changed. Change back to “Normal” setting in the same manner.

Dimensions



Dometic Touchpad



Standard Dometic panel includes “add water” and “flush” functions, “power on” and “full tank” indicator lights. Also available in white.

Vimar Panel, Switches

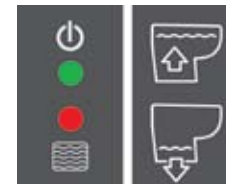


Power On/
Full Tank

Add Water/
Flush

Also available in white.

Gewiss Panel, Switches



Power On/
Full Tank

Add Water/
Flush

Available in black only.

Dealer:

DOMETIC CORPORATION, SANITATION DIVISION
 13128 SR 226, PO Box 38 | Big Prairie, OH 44611 USA | 330-496-3211 | Fax 330-496-9097
 www.dometic.com | SeaLand@DometicUSA.com