

MTS Chillers

For Pleasure Yachts & Commercial Vessels



MTS25 shown

The MTS is a high-capacity modular chiller unit for large pleasure yachts and commercial vessels. Optional electric heaters can provide onboard comfort year round.

Each module contains a hermetic scroll compressor and shell-and-tube marine-grade condenser, along with other mechanical and electrical components on a single chassis. Multiple modules can be staged as needed to meet the required load.

These space-saving modules are designed for easy installation in tight spaces. The MTS provides easy front access for repair and maintenance of condenser tubes, heater rods, flow switch, compressor, and replaceable drier cores. Safety measures include high-pressure switch, refrigerant pressure-relief valve, low-pressure switch, flow switch, high-limit switch, and freeze protection.

A filter drier keeps refrigerant oil clean and dry for long compressor life. With 100 percent pump-down capacity, refrigerant circuit repairs can be made without recovering the refrigerant.

The MTS 25-ton (279,000 BTU/hr) chiller is available in 380V and 460V models.

Key Benefits

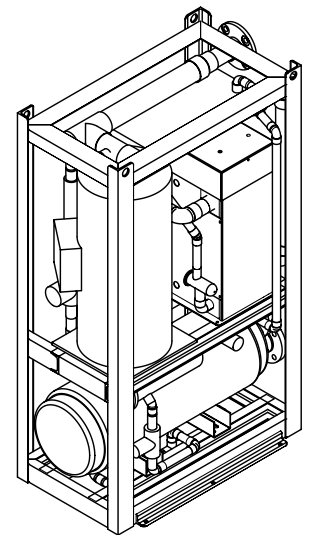
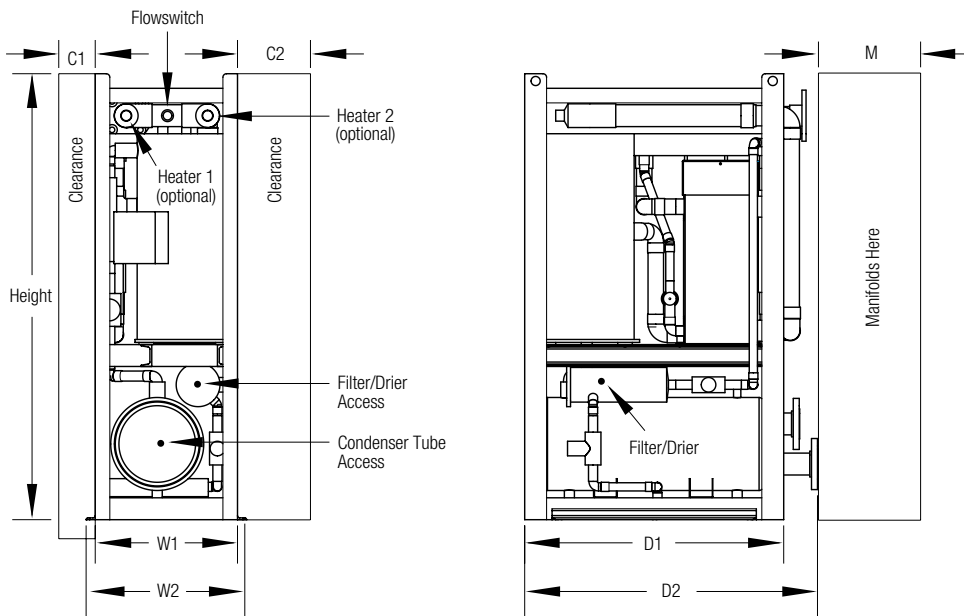
- Modular design for staging multiple units.
- Hermetic scroll compressor – avoids leaks.
- Marine-grade cupronickel shell-and-tube condenser.
- Dual bottom-draining liquid connections and trap in condenser – optimal performance in choppy seas.
- High-pressure switch and pressure-relief valve for safety.
- Available in R-22 or green gas.
- Frequency drives – minimize starting amps.
- Filter drier – keeps refrigerant oil clean and dry for long compressor life.
- 100% pump-down capacity – refrigerant circuit repairs can be made without recovering the refrigerant.

Technical Specifications for MTS 25-Ton

Model	MTS25 (380V)	MTS25 (460V)
Capacity (BTU/Hr)	279,000	279,000
Voltage	380/60/3	460/60/3
Amps	35.5	35.5
Net Weight (lbs/kg)	1150/429.2	1150/429.2
Height (in/mm)	61.2/1554.48	61.2/1554.48
Width, W1 (in/mm)	19.5/495.3	19.5/495.3
Width, W2 (in/mm)	21.75/552.45	21.75/552.45
Depth, D1 (in/mm)	35.5/901.7	35.5/901.7
Depth, D2 (in/mm)	40.2/1021.08	40.2/1021.08
Clearance, C1 (in/mm)	5/127	5/127
Clearance, C2 (in/mm)	10/254	10/254
Manifolds (see notes)	See notes below	See notes below

Notes:

Allow 8" for manifolds only, or 14" for manifolds with isolation valves. All dimensions +/- 0.5 inch. Clearance between modules should alternate 5", 10", 5"... and at least 5" at each end.



Dealer:

DOMETIC MARINE
 2000 N. Andrews Ave. Ext. | Pompano Beach, FL 33069 USA | 954-973-2477 | Fax 954-979-4414
 www.dometic.com

United States & Canada Service Hours:
 8:00 AM to 5:00 PM Eastern Time

24/7 AC SERVICE HOTLINE: 5:00PM to 8:00 AM: 888-440-4494

International Sales & Service:
 Europe & the Middle East: Call +44(0)870-330-6101
 For all other areas visit our website to find your nearest distributor.

