

DOMETIC ESKIMO ICE CRUSHED ICE SYSTEMS

OPERATION MANUAL

For Self-Contained & Remote Systems

Using Digital Controls (For b-16 to c-18 Software)

Dometic Corporation, Marine Division

Rev. 20100730

L-2514

COPYRIGHT © 2007, 2008 Dometic Corporation, All Rights Reserved.

No part of this publication may be reproduced, translated, stored in a retrieval system, or transmitted in any form or by any means electronic, mechanical, photocopying, recording or otherwise without prior written consent by Dometic Corporation. Every precaution has been taken in the preparation of this manual to insure its accuracy. However, Dometic Corporation assumes no responsibility for errors and omission. Neither is any liability assumed for damages resulting from the use of this product and information contained herein.

DOMETIC ESKIMO ICE CONTROL OPERATION MANUAL

CONTENTS

INTRODUCTION	4
<hr/>	
OPERATION	4
<hr/>	
Events that can interrupt normal production	4
<hr/>	
Programmable Parameters	5
<hr/>	
Program Parameter Description	5
<hr/>	
Programmable Parameter Table	6
<hr/>	
Typical Operation Cycle Table	7
<hr/>	
Owner's Limited warranty	10
<hr/>	
Limited Warranty Periods	12
<hr/>	
DEALER LOCATOR	13
<hr/>	

INTRODUCTION

This operation manual provides information for self-contained and remote Eskimo Ice Systems using digital controls. Please refer to Eskimo Ice Manual L-2448A for installation of the self-contained system and L-2448B for installation of the remote system.

Please Note: The supplied main cartridge filter must be installed or the warranty will be VOID!

OPERATION

Applying Power - When power is first applied, the display will light all LED's for 2 seconds, then go blank for 1 second, then show software revision for 2 seconds. The unit will then go to the last state it was in before power was disconnected. The power LED will remain lit anytime power is applied.

On/Off - Press the On/Off button to toggle between Off and ICE production. dLY will appear in the display and the unit will begin a startup routine. ICE will appear in the display when production begins.

Ice Bin Sensor - When the ice bin is full, the unit will stop ice production and the display will show Full.

Operational LED's - Ice Flow, Water Flow, High Pressure, and Low Pressure are trouble lights on the display and will light if a fault occurs and a fault code will be displayed. Comp and Auger are status lights and show operation of these systems. Full is also a status light that is on whenever the ice bin is Full.

Operational Information - Compressor current, Auger current, and AC voltage can be viewed while the unit is in operation. Simultaneously press and release the On/Off and Function buttons. CA will appear in the display and after 5 seconds, a value indicating the compressor current in amps will show. Press Function to change to AA and auger current in amps will display. Press Function again and AC line voltage will display. Press the On/Off button to exit from this feature.

Fault History - History of faults that occur can be viewed from the off setting. Press and hold the On/Off button for 3 seconds. This will enter the fault history log. The display will indicate H 1. Press the function button to scroll through the events recorded in the log. The unit will record up to 16 events. While viewing, the display will alternate between the fault mnemonic and the event number. To exit the history mode, press the On/Off button. The unit will also exit the history log in

30 seconds if no key is pressed. Faults are recorded in the order they occur, most recent to oldest.

Events that can interrupt normal production

If trouble occurs during operation the fault codes defined below will be displayed. Trouble LED's will be lit for **High Pressure, Low Pressure, Water Flow, and Ice Flow**. The unit will restart once the fault is cleared or repaired. Excessive faults will result in the code flashing on the display called a lockout. *A lockout may be cleared by pressing the On/Off button to turn the unit off then on again, by pressing the reset switch or pressing the function button.*

LPF - Low Pressure Freon. If the Low Pressure Freon Switch is open during production for 60 seconds, the display will show LPF fault and the **Low Pressure** LED will light. The compressor delay is then activated for restart. The auger will continue to run for the duration of the auger delay. At the end of the compressor delay the unit will show dLY beginning the restart routine. This switch is checked at the start of a cycle and during operation. The compressor delay begins from the moment the switch is opened. Three faults in a 30 minute period will result in a lockout. *LPF can be caused by, Low refrigerant levels, Seawater below 50°, or faulty low pressure switch.*

HPF - High Pressure Freon. If the High Pressure Freon Switch is open during production for ~500ms, the display will show HPF fault and the High Pressure LED will light. The compressor delay is then activated for restart. The auger will continue to run for the duration of the auger delay. At the end of the compressor delay the unit will show dLY beginning the restart routine. The compressor delay begins from the moment the switch is opened. The maximum number of faults that can occur in 30 minutes is set for three by default. *HPF can be caused by lack of seawater flow due to a dirty strainer, pump being airlocked or seawater lines in need of maintenance.*

H2O – Potable water switch. If the potable water switch is open during production for 15 seconds, the display will show H2O fault and the Water Flow LED will light. The auger will continue to run for the duration of the auger delay. Ice production will stop and the switch must be closed for operation to restart. *H2O Fault can be caused by lack of fresh water flow, clogged main filter or a clogged Y Strainer.*

Spt – Auger spout blockage. If the spout switch opens for ~100ms during production Spt fault will show on the display and the Ice Flow LED will light. All operation will stop including the auger. The blockage must be removed for production to restart. The maximum number of faults that can occur in a 30 minute period is set for three by default. *Spt fault can be caused by improper delivery hose run, make sure the hose run goes up hill from the auger spout and does not have any 90°, sharp turns, or menders installed, make sure that the surface where the delivery hose meets the thruhull is smooth to avoid trapping ice.*

Note: If HPF, H2O or Spt appear steady on the display (not flashing) on initial start up this may be due to an open pressure switch, defective water level switch, empty reservoir, open spout switch or clog. This can also occur from an open switch or wiring to the switch.

OCC – Overload Current Compressor. If the compressor current exceeds 25 amps for 230VAC or 50A for 115VAC equipment for ~200ms the unit will stop the compressor. Auger operation will continue for the duration of the auger delay then stop and lock out.

OCA – Over Current Auger. If the auger current exceeds 2.5 amps for 230VAC or 5A for 115VAC equipment for ~200ms the unit will stop all operation and lock out.

LAC – Low AC line voltage. If the line voltage to unit is less than value selected in the programmable parameter for 5 minutes continuously the unit will stop operation. The compressor delay is started and the unit will restart at the end of the delay if the voltage is greater than the value selected in the programmable parameter. Parameter default is set to off.

UCC – Under Current Compressor. If the compressor current is less than the default value of 5 amps (115 volt) or 2 amps (230 volt) for ~200 ms the unit will stop operation and lock out. The auger will continue to run for the duration of the auger delay.

UCC fault can be caused by over voltage or open wire.

UCA – Under Current Auger. If the auger current is less than the default value .5 amps for ~200 ms the unit will stop all operation and lock out. *UCA fault can be caused by over voltage, open wire or open thermal overload.*

If you experience erratic behavior such as reoccurring nuisance faults or erratic display behavior reboot the system by shutting off at breaker for 30 seconds and powering back up. This should clear any glitches caused by power surge, spikes or brown outs.

Programmable Parameters For Software as of 01-01-2008

To confirm software revision, first turn off power to unit. When power is first applied the display will light all LEDs for 2 seconds. Next, the display will go blank for 1 second, lastly, the display will show the software revision for 2 seconds.

There are numerous programmable parameters with their factory defaults described in this section. The table on the next page defines the parameter codes along with the permitted values and default settings. Parameters P1 / t-1-t5 are user settable parameters.

Enter the (P) program mode by pressing and holding both the On/Off and Function buttons for 5 seconds in the Off mode. To enter the (T) programming mode first enter the (P) programming mode then push and hold the RESET SWITCH on the control box for 15 seconds until the t-1 appears. Use the On/Off button to advance through parameters. The Function button is used to select the parameter value desired. Exit the program mode either by pressing and releasing both buttons or by waiting 60 seconds.

See Figure 1, **Programmable Parameters Table.**

Program Parameter Description

P-1: t-1: High Pressure Restart Delay - This delay is used to set the start compressor restart delay after a high Freon pressure fault is cleared. The default setting is 0 and can be set from 0-30 minutes. Default "0" for off is mainly used for sport fishing where backing down can cause an airlock. Only use for continuous nuisance trips.

t-2: Low AC Line Voltage - This option can be set to detect low AC line voltage. Low AC line voltage condition must exist for 5 minutes for a shutdown to occur. Default setting is off and can be set from 75 to 100 or 175 to 200.

t-3: CAN ID: Used to set CAN bus ID. The range is from 1-254.

t-4: Group ID: Used to set CAN bus ID. The range is from 1-254.

t-5: Reset Programmable Parameters: Resets all programmable parameters to factory defaults. Set this setting to 1 and unit will reset all values. Setting will change

back to 0 on exit of the programming mode or by pressing the On/Off button to scroll through parameters.

Note: Changes to technical parameters not listed above should be performed by an authorized service dealer. Please contact Dometic at 800-542-2477 for a dealer near you.

Programmable Parameter Table

No	Description	Default	Range
P-1 t-1	High Pressure Restart Delay	0	0 - 30 minutes
t-2	Low AC Line Voltage	off	75-100 or 175-200
t-3	CAN ID	n/a	1-254
t-4	Group ID	5	1-254
t-5	Reset Programmable Parameters	0	0 = No, 1 = Yes

Figure 1. Programmable Parameter Table

Typical Operation Cycle Table

ACTION	Delay before Next Step (in seconds) and/or description of action	
Initial Start Up Via Breaker	60	Assumed display is in ON position. If not, turn unit on via display.
Pump ON	30	
Auger ON	15	
Compressor ON		
Ice Production		Will continue until sensor reads bin full for 30 sec., fault trip or unit manually shut down.
BIN FULL	30	
Auger Clears		
Machine Shuts Down		
Ice removed from bin		Sensor reads bin not full, calls for ice production.
Pump ON	30	
Auger ON	15	
Compressor ON		
Ice Production		Will continue until sensor reads bin full for 30 sec., fault trip or unit manually shut down.
FAULT Trip - HPF, LPF, etc.	30	
Clearing Auger		
Machine Shuts Down	60	
Fault Trip Corrected		
Pump ON	30	
Auger ON	15	
Compressor ON		
Ice Production		Will continue until sensor reads bin full for 30 sec., fault trip or unit manually shut down.

Note:

Above is an example of a typical operation cycle based on default values, cycle will change depending on end user parameter changes.

Figure 2. Typical Operation Cycle

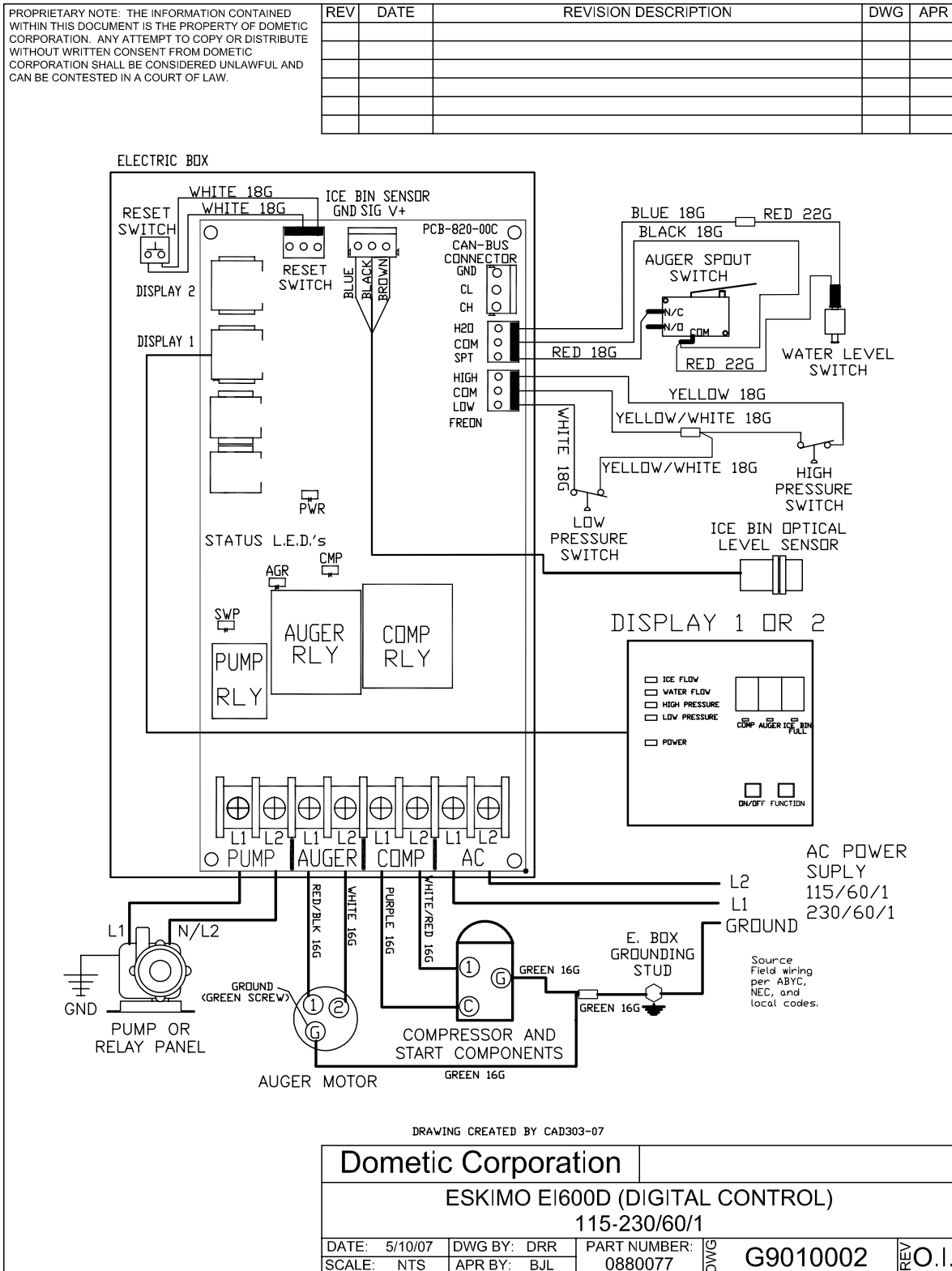


Figure 3. Wiring Diagram for digital control

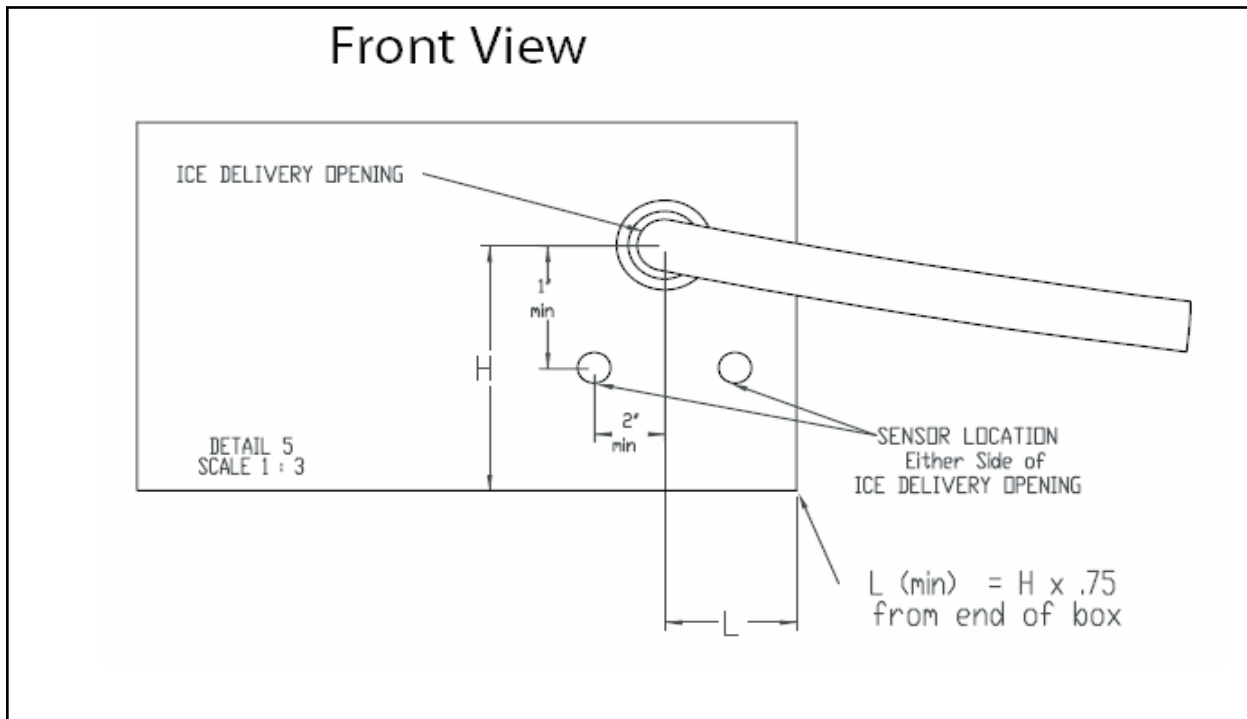


Figure 4. Location of Ice Bin Sensor

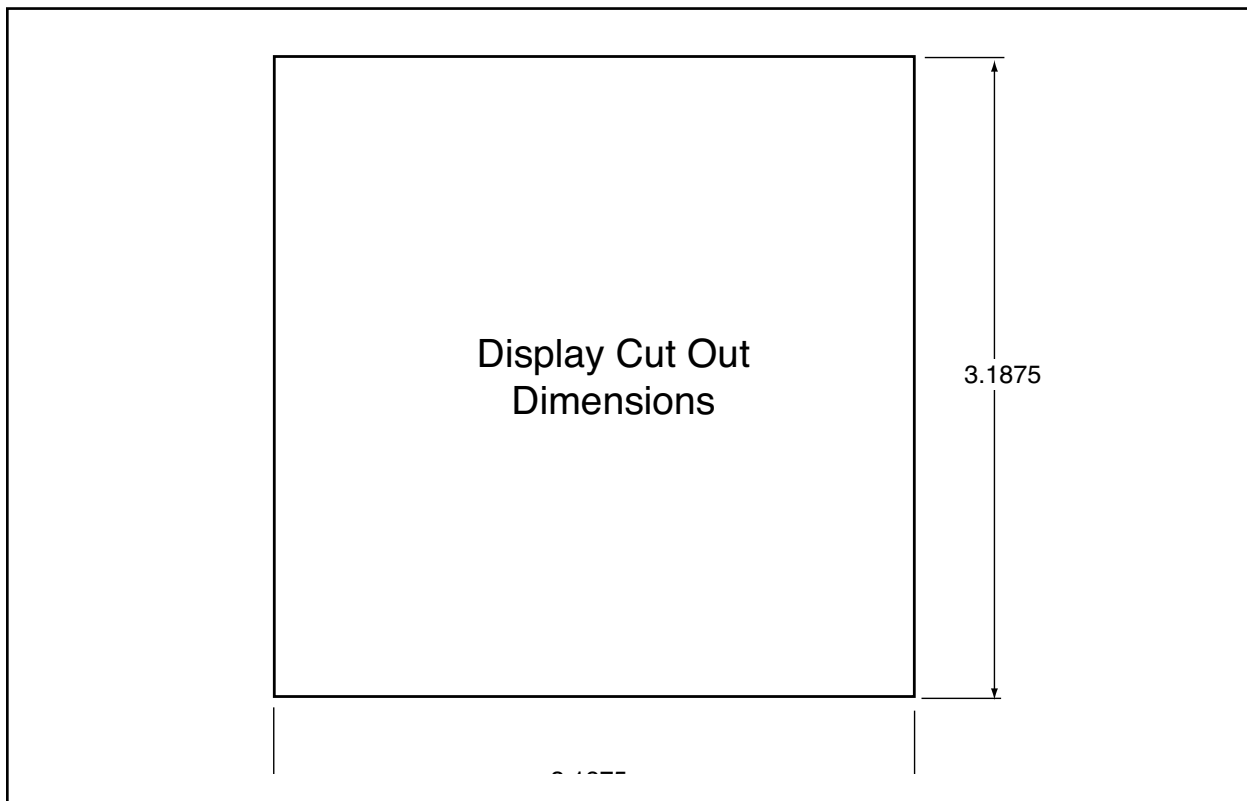


Figure 5. Display Cutout

OWNER'S LIMITED WARRANTY

As hereinafter described, Dometic Corporation limits the duration of any implied warranty to the duration of the underlying express warranty and also disclaims any liability for consequential or incidental damages arising from any application, installation, use or malfunction of any warranted product.

Section I

What does the Limited Warranty cover?

Products manufactured by Dometic Corporation (Dometic) are under limited warranty to be free from defects in workmanship or materials under normal use and service with the obligation of Dometic under this limited warranty being limited to replacing or repairing any component(s) which shall disclose defects within the time limits defined in Section III and which, upon examination by Dometic, shall appear to the satisfaction of Dometic to be defective or not up to specifications.

This Limited Warranty is made in lieu of all other express warranties, obligations, or liabilities on the part of Dometic. In addition, Dometic shall not be responsible for any incidental or consequential damages. In those instances in which a cash refund is made, such refund shall effect the cancellation of the contract of sale without reservation of rights on the part of the purchaser. Such refund shall constitute full and final satisfaction of all claims which purchaser has or may have against Dometic due to any actual or alleged breach of warranty, either express or implied, including, without limitation, any implied warranty of merchantability or fitness for a particular purpose. Some states do not allow the exclusion or limitation of incidental or consequential damages so the above limitation may not apply to you. The terms and conditions of this warranty shall be governed by the laws of the state of Florida.

The Dealer is not an agent for Dometic except for the purpose of administering the above warranty to the extent herein provided, and Dometic does not authorize the dealer or any other person to assume for Dometic any liability in connection with such warranty, or any liability or expense incurred in the replacement or repair of its products other than those expressly authorized herein. Dometic shall not be responsible for any liability or expense except as is specifically authorized and provided in this section.

Dometic reserves the right to improve its products through changes in design or material without being obligated to incorporate such changes in products of prior manufacture, and to make changes at any time in design, materials, or part of units of any one year's model, without obligation or liability to owners of units of the same year's model of prior manufacture.

This warranty gives you, the purchaser, specific legal rights, and you may also have other rights which vary from state to state. You also have implied warranty rights, including an implied warranty of merchantability, which means that your product must be fit for the ordinary purposes for which such goods are used. The duration of any implied warranty rights is limited to the duration of the express warranty as found in Section III. Some states do not allow limitations on how long an implied warranty lasts, so the above limitation may not apply to you.

Section II

What does this Limited Warranty not cover?

This Warranty Shall Not Apply to:

1. Failures resulting from improper installation or use contrary to instructions.
2. Failures resulting from abuse, misuse, accident, fire, or submergence.
3. Any part manufactured by Dometic which shall have been altered so as to impair its original characteristics.
4. Any parts which fail as a result of misuse, improper application or improper installation.
5. Items not manufactured by Dometic, i.e., items which are purchased from another manufacturer and supplied as received by Dometic without alteration or modification except as any part of an Dometic-manufactured unit or component.
6. Components or parts used by or applied by the purchaser as an integral part of products not manufactured by Dometic.
7. Warranty does not cover damage to components that comprise a Custom Wrapped Box Evaporator refrigeration system (aka: catch boxes, fish boxes, etc.) when the box is installed in such a way that the customer can move it. These damages may include, but are not limited to: crimped refrigerant linesets (copper tubing or flexible linesets), refrigerant leaks, moisture ingress into the refrigeration system, subsequent damage to condensing unit from being operated with low refrigerant charge or moisture in the system, broken refrigerant connections, broken thermostat sensors, and/or broken constant pressure valves.

Installation and application of Dometic components is not warranted by Dometic because Dometic has no control or authority over the selection, location, application, or installation of these components.

Section III

What is the period of coverage?

See the Limited Warranty Periods, document # L-0694, for the period of coverage.

All Dometic components bear a data plate on which there are model and serial numbers. The serial number is date coded. To determine whether or not any Dometic component is in warranty, proceed as follows:

1. Determine the manufacture date of the component from the serial number on the data plate. If you are not familiar with the date code, write or call the Dometic Customer Service

Department at (954) 973-2477, to obtain the manufacture date. The hours of the Customer Service Department are 8:00 am - 5:00 pm (USA, Eastern Time Zone) Monday through Friday excluding holidays.

2. It is possible that there might exist a considerable time lag between the date a component is manufactured and the date it is put in service. In such instances, the date of manufacture could indicate that the item is out of warranty. However, based on the date the equipment is first put in service, the item may still be covered by the Dometic warranty described in Section I. For proof of date put in service, Dometic will require a copy of the bill of sale of the Dometic equipment from the installer or new boat dealer to the original owner.

Section IV

How do you get service? Please Read the following Warranty Procedure.

WARRANTY PROCEDURE

If the failure of a Dometic component is determined to be covered under the Dometic warranty and the time in service is determined to be within the warranty time limit, the owner has the following three options:

1. Preferred option: Have a Dometic authorized Servicing Dealer perform the work needed. The customer should call Dometic's Service Department for a recommendation as to the closest dealer. If the customer already knows an authorized servicing dealer, the dealer should be contacted directly.
2. If the customer contacts Dometic's Service Department for a Servicing Dealer and Dometic has no one in that particular area, Dometic will authorize the use of a local service company and Dometic will work with the local company to assist in any way possible.
3. The customer may send his equipment back to the factory to have the repair work done. Dometic will make every effort to return the equipment to the customer within a three week time period. If the claim represents a legitimate warranty problem, Dometic will pay the freight both ways. Dometic prefers option one and two, if at all possible.

The customer may contact the Dometic Service Department at (954) 973-2477.

WARNING

Dometic Corporation (Dometic) manufacturers of Cruisair, Dometic Auxiliary A/C, Dometic Refrigerators and Freezers, Eskimo Ice, Grunert, Marine Air, and Sentry products, makes the following safety warnings concerning the application, installation, use and care of its products. Although these warnings are extensive, there may be specific hazards which may arise out of circumstances which we have not outlined herein. Use this as a guide for developing an awareness of potential hazards of all kinds. Such an awareness will be a key factor in assuring your SAFETY and comfort.

ELECTRICITY - Many Dometic products operate on 115, 230 or 440 volt AC power. Such voltages can be LETHAL; therefore, the chassis, cabinets, bases, etc., on all components must be grounded together and connected to the vessel's grounding system. Sparks can occur as switches, thermostats and relays open and close in the normal operation of the equipment. Since this is the case, ventilating blowers for the removal of hazardous fumes or vapors should be operated at least 5 minutes before and during operation of any Dometic product or group of Dometic products. All electrical connections must be covered and protected so accidental contact cannot be made by persons using the equipment, as such contact could be LETHAL.

ELECTROLYSIS - Electrical leakage of any component can cause electrolytic deterioration (electrolysis) of thru-hull components which could result in leakage serious enough to sink a vessel which could result in loss of life. All Dometic components must be kept clean and dry and checked periodically for electrical leakage. If any electrical leakage is detected, the component should be replaced or the fault causing the leakage corrected before the component is put back into service.

GAS - Dometic Air Conditioning and Refrigeration components utilize R-22 (Chlorodifluoromethane), R134a refrigerant (Tetrafluoroethane), R-407C (which contains Difluoromethane [HFC-32], Pentafluoroethane [HFC125], and 1.1.1.2 -Tetrafluoroethane [HFC134a]), R404A (R125/R143a/R134 [44%/52%/4%]), or R417a, which are non-toxic, non-flammable gases; however, these gases contain no oxygen and will not support life. Refrigerant gas tends to settle in the lowest areas of the compartment. If you experience a leak, evacuate all personnel, and ventilate area. Do not allow open flames in the area of leaks because refrigerant gas, when burned, decomposes into other potentially LETHAL gases. Refrigerant components operate at high pressure and no servicing should be attempted without gloves, long-sleeved clothing and eye protection. Liquid refrigerant gas can cause severe frost burns to the skin and eyes.

VENTILATION - To cool or heat air, Dometic Air Conditioning and Refrigeration components are designed to move air through a heat exchanger by a blower or propeller fan. This design necessarily produces a suction on one side of the air handling component and a pressure on the other side. Air handling components must be installed so that the suction-pressure action does not: (1) pressurize an area to the extent that structural failure occurs which could cause harm to occupants or bystanders, or (2) cause a suction or low pressure in an area where hydrogen gas from batteries, raw fuel vapor from fuel tanks, carbon monoxide from operating propulsion engines, power generators or heaters, methane gas from sewage holding tanks, or any other dangerous gas or vapor could exist. If an air handling unit is installed in such a manner that allows potentially lethal gases or vapors to be discharged by the air handling unit into the living space, this could result in loss of life.

Maximum protection against the introduction of dangerous gases or vapors into living spaces can be obtained by providing living spaces which are sealed from all other spaces by use of airtight bulkheads and decks, etc., and through the introduction of clean air into the living space. Bear in mind that the advent of air conditioning, whether it be for cooling or for heating, naturally leads to the practice of closing a living space tightly. Never close all windows and doors unless auxiliary ventilating systems, which introduce clean outside air into the living space, are used. Always leave enough window and door openings to provide adequate ventilation in the event potentially lethal gases or fumes should escape from any source.

CONDENSATE - All cooling units produce water condensate when operating on the cooling cycle. This water must be drained from the cooling unit overboard. If condensate is allowed to drip on a wooden structure, rotting or decay and structural failure may occur which could result in loss of life. If condensate is allowed to drip on electrical components, deterioration of the electrical components could result in hazardous conditions. When an air conditioning system is in operation, condensate drains may be subjected to negative pressure. Always locate condensate drains as far as possible from points where engine waste and other dangerous gases are exhausted so no such dangerous gases can be drawn into the condensate drains.

Warning

Never sleep in a closed area on a boat when any equipment, which functions as a result of the combustion of a volatile fuel, is in operation (such as engines, generators, power plants, or oil-fired heaters, etc.). At any time, the exhaust system of such devices could fail, resulting in a build-up of LETHAL gases within the closed area. Warning Revised: 6-5-06

LIMITED WARRANTY PERIODS

Please read and keep this document with your important paperwork. Use it as a reference in the future. If you have any questions, please contact the Dometic Corporation Service Department at (954) 973-2477 for clarification.

Note: Any model or replacement part that has been installed due to a warranty failure will carry only the remainder of the original warranty. All warranties begin when the customer takes possession of the equipment. The warranty is extended to all owners of the equipment commencing the date the original owner takes possession of it. Proof of original purchase may be required. Replacement parts, such as filters, fuses and MOVs, are not covered under our warranty. Fuses and MOVs are used as safety devices to protect Cruisair equipment against over-current conditions caused by lightning or inductive switching environments. We reserve the right to change our warranty policies and procedures as well as our warranty allowances without notice.

Cruisair Direct Expansion (DX) and Modulating Systems

- New, complete system installation using an electro-mechanical control (3-knob).

The warranty includes the pump.

1 year warranty including Parts and Labor

- New, complete model sold as a partial system retrofit to an existing system.

Includes SMX family.

1 year warranty including Parts and Labor

Cruisair Tempered Water

- New, complete system installation using any member of the SMX family.

2 year warranty including Parts and Labor

NOTE: Excludes pump which has a 1 year warranty

- New, complete model sold as a partial system retrofit to an existing system.

Includes SMX family.

1 year warranty including Parts and Labor

Refrigerators/Freezers/Fish Boxes

The below warranty periods do not apply to systems that are installed as described in Section II, item #7, of the Owner's Limited Warranty, document # L-0123.

- New installation of entire system including condensing unit, line sets, evaporator, etc.

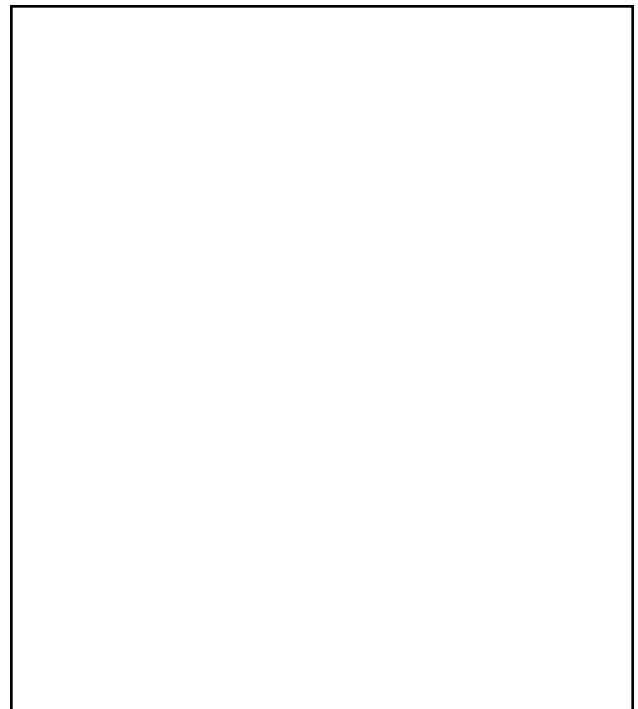
1 year warranty including Parts and Labor

- New complete model sold as a partial system retrofit to an existing Cruisair system.

1 year warranty including Parts and Labor

- New installation of condensing unit only, with line sets, evaporators, etc. done by others i.e. not Cruisair pre-charged line sets and evaporators.

1 year warranty including parts and labor on mechanical and electrical parts of condensing unit only.



DEALER LOCATOR**AER Marine Supply**

2301 NASA Parkway
Seabrook, Texas 77586
USA

Contact: Richard S. Miller
Phone: (281) 474-3276
(800) 767-7606
Fax: (281) 474-2714
E-mail: richard.miller@aersupply.com
Web: www.aersupply.com

American Marine Contractors

2143 N. Northlake way # 66
Seattle, Washington 98103
USA

Contact: Cliff Valentine
Phone: (206) 660-2240
(206) 548-1306
Fax: (206) 548-5008
E-mail: Cliff@nwmarineair.com

Annapolis Cruisair

2124 Renard Court
Annapolis, Maryland 21401
USA

Contact: Brian Marshall
Phone: 410-224-0970
Fax: 410-224-0050
E-mail: cruisair45@aol.com
Web: www.annapolis-cruisair.com

Beard Marine Savannah

1101 Chatham Parkway, Suite A-3
Savannah, Georgia 31408
USA

Contact: Jesse Russell
Phone: 912-356-5222
800-286-2674
Fax: 912-692-1006
E-mail: infosavannah@beardmarine.com
Web: www.beardmarine.com

Cruisair Southeast, A Division of T.K. Alley, Inc.

1991-B Tigertail Blvd
Dania Beach, Florida 33004
USA

Contact: Tom Alley
Phone: 954-920-0300
Fax: 954-920-0301
E-mail: tkalley@aol.com
Web: www.cruisair-southeast.com

Cruisair Suncoast, Inc.

3301 34th Avenue North
St. Petersburg, Florida 33713
USA

Contact: Roy Justice
Phone: 727-526-7875
Fax: 727-528-9519
E-mail: cruisairsuncoast@yahoo.com

Dometic Corporation, Marine Division Distributor

2000 N. Andrews Ave. Extension
Pompano Beach, Florida 33069
USA

Contact: Marty Little
Phone: (954) 973-2477
Fax: (954) 979-4414
E-mail: sales@dometicenviro.com
Web: www.dometicenviro.com

Griffin Marine, Inc.

920 Harbor Road
Wanchese, North Carolina 27981
USA

Contact: Don Griffin
Phone: (252) 473-1422
Fax: (252) 473-4654
E-mail: griffinmarine@mindspring.com

Martin's Marine

7201 Orchard Trace
Wilmington, North Carolina 28409
USA

Contact: Danny Martin
Phone: (910) 799-9362
(800) 849-7731
Fax: (910) 799-9122
E-mail: martinsmarine@bellsouth.net

Midwest Marine Supply

24300 Jefferson Avenue
St. Clair Shores, Michigan 48080
USA

Contact: Dan Gruninger
Phone: (586) 778-8950
Fax: (586) 778-6108
E-mail: sales@midwestmarinesupply.com
Web: www.midwestmarinesupply.com

Nautical Air, Inc.

79-83 Heisseer Court
Farmingdale, New York 11735
USA

Contact: Nick Luparello
Phone: (516) 586-5244
Fax: (516) 586-5241
E-mail: sales@nauticalair.com
Web: www.nauticalair.com

Ocean Options

95 Riverside Drive
Tiverton, Rhode Island 02878
USA

Contact: Mike Bowden
Phone: (401) 624-7334
(800) 832-3905
Fax: (401) 624-8050
E-mail: Sales@oceanoptions.com
Web: www.oceanoptions.com

Ocean Options - Mid Atlantic

7416 Edgewood Road
Annapolis, Maryland 21403
USA

Contact: Jeff Hamilton
Phone: (410) 268-9365
(800) 400-8042
Fax: (410) 268-8199
E-mail: Sales@oceanoptions.com
Web: www.oceanoptions.com

Southern California Marine Enterprises

1214 Rosecrans Street
San Diego, California 92106
USA

Contact: David Wicks
Phone: 619-224-2869
888-657-1606
Fax: 619-226-0496
E-mail: sales@southern-calmarine.com
Web: www.southern-calmarine.com

Thom Chase Marine

9107 Edgewater Road
Chattanooga, Tennessee 37416
USA

Contact: Thom Chase
Phone: 423-344-6356
423-413-4690 (Mobile)
Fax: 423-344-6356
E-mail: thomchase@aol.com



DOMETIC MARINE DIVISION

2000 N. Andrews Ave. Ext. I Pompano Beach, FL 33069 USA | 954-973-2477 | Fax 954-979-4414
www.DometicUSA.com | MarineSales@DometicUSA.com

24/7 Tech Support for United States & Canada:

8:00 AM to 5:00 PM Eastern Time: 800-542-2477

After hours and weekends: 888-440-4494

International Sales & Service:

Europe & the Middle East: Call +44(0)870-330-6101

For all other areas visit our website to find your nearest distributor.



Environmentally
Responsible