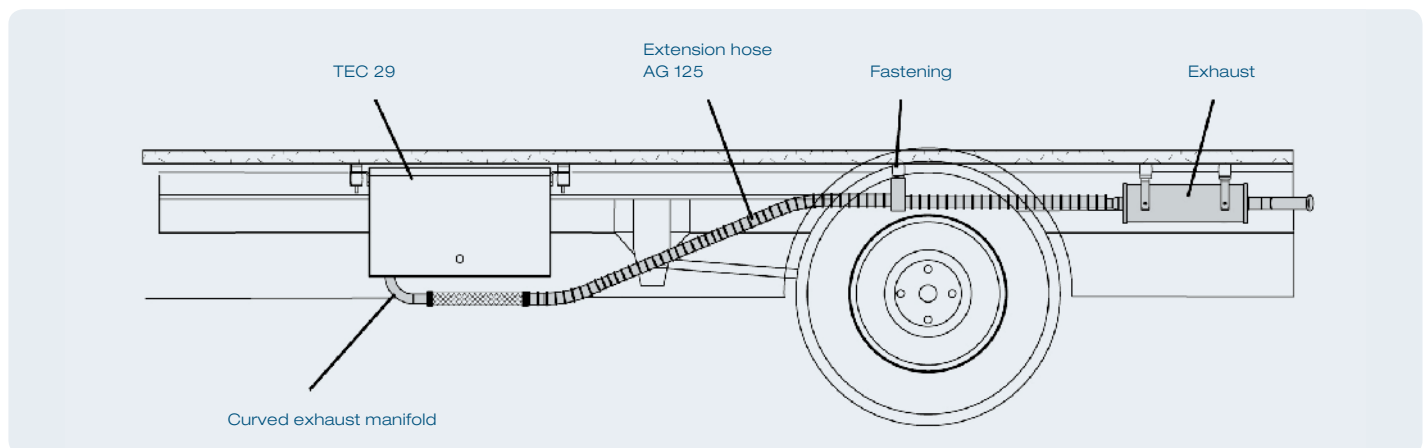


# Installation of Dometic generators

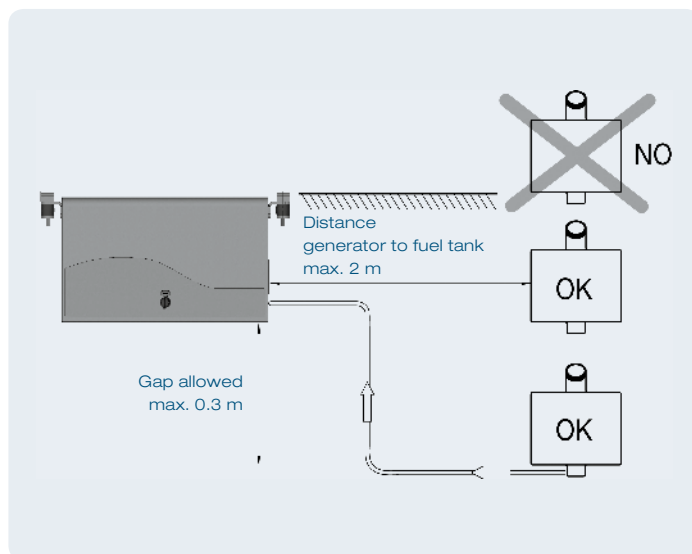
Dometic offers a complete range of accessories for fast and hassle-free installation of fuel tanks, exhaust systems and electrical components. All products come with well documented, multi-language manuals including detailed installation, operation and maintenance instructions.

- **Fuel accessories:**  
tanks, tank vents, hoses and hose sets, stand-by fuel pumps
- **Exhaust accessories:**  
exhausts, extension hoses, silencers, fastening clamps, hose clips, etc.
- **Electrical accessories:**  
voltage regulators for battery recharging, cables, change-over relays, etc.
- **Installation accessories:**  
mounting brackets, fasteners, installation kits

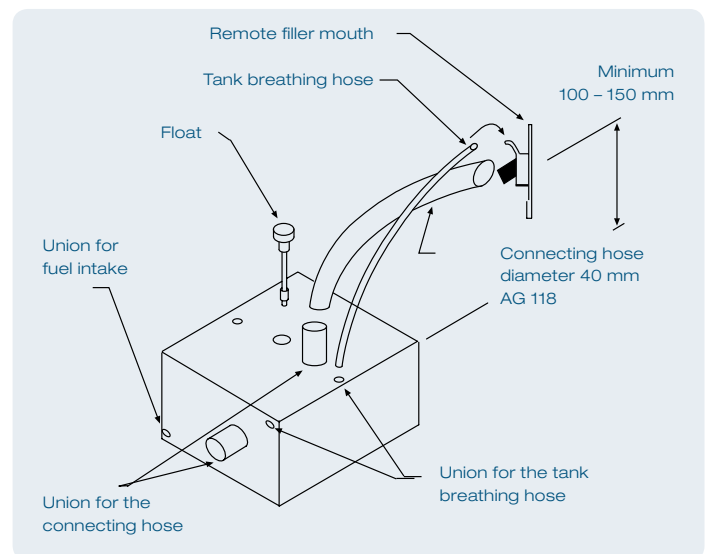
## Installation examples for generators



Example of exhaust installation on the TEC 29: Use the flexible metal hose [2 metres come as standard] together with the silencer to mount the exhaust. For further exhaust extension the AG 125 extension hose is available as optional accessory.



TEC 29, T 2500 H, T 4000 H:  
recommendations for fuel tank installation



Installation of the AG 101 tank: after installation seal all hose unions with Loctite 577 to prevent fuel leakage.