

# Stowaway Turbo Self-Contained Series

Powerful, Quiet & Compact  
With No Drain Pan Worries



Photo courtesy of Cruisers Yachts

STQ14K StowAway Turbo shown  
with optional Sound Shield



**The Stowaway Turbo series completely revolutionized self-contained cooling and heating** with the newest innovations in marine air conditioning system design.

The rust-free molded composite drain pan has three drains for the rapid removal of condensate water. The drain pan's sloped channels route condensate rapidly to a choice of three easy-to-plumb drain locations.

An advanced cushioning system results in quieter, virtually vibration-free operation. The enclosed blower motor eliminates overhang to provide easier installation. The high-velocity flow can be rotated 270 degrees with one adjustment screw. The unit's unique inlet ring is designed to optimize air flow and ensure that the height of the unit does not increase when the blower rotates.

## Easy-to-install sound cover provides up to 50% noise reduction



These compact, easy-to-install sound covers are available for all Stowaway Turbo models. The cover fits over the compressor, providing a 3- to 5-dB noise reduction—which is about a 50% drop in what the human ear can perceive. Installation takes just minutes and all mounting hardware is included.

## Key Benefits

- Up to 27% more energy efficient.
- Up to 21% increased capacity.
- Compact design uses less space.
- Rust-free drain pan.
- Up to 85% less standing water in drain pan.
- Reduced noise and vibration with high-velocity blowers and mounts.
- Optional sound cover further reduces compressor noise by up to 50%.

## Customer comment:

"There is very little noise coming from the compressor, and vibrations are practically non-existent. I highly recommend this unit."

— Bob Silverman, owner,  
305 Bayliner Express Cruiser

# Technical Specifications for Stowaway Turbo

Model <sup>(1)</sup>	ST06			ST08			ST010			ST012			ST014			ST016																										
	6,000			8,000			10,000			12,000			14,000			16,000																										
Capacity (BTU/hr) <sup>(2)</sup>	115	220-240		230	220-240		230	220-240		230	220-240		230	220-240		230	220-240																									
Voltage (VAC) <sup>(2)</sup>	60	1	50	1	60	1	60	1	60	1	60	1	60	1	60	1	60	1																								
Cycle (Hz)/Phase (Ph) <sup>(3)</sup>	3.8	2.1	5.4	2.6	3.6	3.1	3.4	3.7	3.4	3.4	3.7	7.8	4.2	4.4	9.4	4.6	4.5	4.5																								
Full Load Amps (FLA) cool	5.0	2.8	7.0	3.4	4.4	4.2	4.3	4.7	4.7	4.7	4.7	11.3	5.4	5.8	12.4	6.2	5.8	5.8																								
Full Load Amps (FLA) heat	29.0	11.0	40.0	19.0	20.0	21.0	16.9	22.2	26.0	22.2	22.2	58.0	33.0	22.0	59.0	34.0	32.0	32.0																								
Locked Rotor Amps (Comp)	0.6	0.7	0.8	0.8	1.1	1.0	1.0	1.1	1.1	1.1	1.1	1.3	1.3	1.4	1.4	1.4	1.4	1.4																								
K.V.A. (Kilo-Volt-Amps)	15.0	9.0	21.0	10.0	13.0	14.0	13.0	31.0	15.0	15.0	15.0	33.0	18.0	18.0	40.0	21.0	19.0	19.0																								
Max. Circuit Breaker (Amps)	9.0	5.0	12.0	6.0	8.0	8.0	8.0	17.0	9.0	9.0	9.0	19.0	10.0	10.0	23.0	12.0	11.0	11.0																								
Min. Circuit Ampacity (Amps)	8	227	8	227	10	283	10	283	10	283	10	312	11	312	13	369	13	369																								
Refrigerant R-417A (oz/g)	8	227	8	227	10	283	10	283	10	283	10	312	11	312	13	369	13	369																								
<b>Unit Dimensions (in/mm)<sup>(4)</sup></b>																																										
Height – Evaporator (C <sup>1</sup> )	10.8/274			10.8/274			12.2/310			12.2/310			12.9/328			12.9/328																										
Height – Compressor (D <sup>1</sup> )	12.2/310			12.2/310			13.0/329			13.0/354			14.2/361			14.2/361																										
Height – w/opt. Sound Cover	13.0/330			13.0/330			13.5/343			15.0/381			15.0/381			15.0/381																										
Width (A <sup>1</sup> )	17.6/447			17.6/447			20.4/518			20.4/518			21.4/544			21.4/544																										
Depth (B <sup>1</sup> )	10.7/272			10.7/272			12.4/315			12.4/315			13.3/338			13.3/338																										
Min. Duct Size Ø (in/mm)	4/102			5/127			6/152			6/152			7/178			7/178																										
Min. SA Grille (sq. in./sq. cm.)	32/813			48/310			60/387			70/452			76/490			80/523																										
Min. RA Grille (sq. in./sq. cm.)	64/1626			80/516			100/710			130/839			144/929			160/1032																										
Net Weight (lbs/kg)	39.6/18.0			40.4/18.3			43.8/19.9			43.0/19.5			52.8/24.0			54.4/24.7			55.0/24.9			60.2/27.3			60.2/27.3			61.2/27.8			59.8/27.1			59.8/27.1			60.8/27.6			63.4/28.8		
Gross Weight (lbs/kg)	49.6/22.5			50.4/22.9			53.8/24.4			53.0/24.0			62.8/28.5			64.4/29.2			65.0/29.5			63.4/28.8			70.2/31.8			71.2/32.3			69.8/31.7			69.8/31.7			70.8/32.1			73.4/33.3		

Notes:

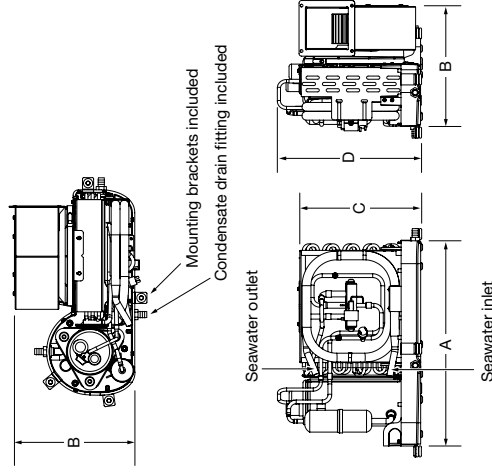
<sup>(1)</sup> Add a 'C' or 'CK' after the capacity designator for 230V or 220V/50Hz units respectively. Examples STQ8 = 115V, STQ8C=230V, STQ8CK=220V/50Hz.

<sup>(2)</sup> BTU and electrical data are based on a 45°F/7.2°C evaporator and 100°F/37.8°C condenser in cool mode, and a 45°F/7.2°C evaporator and 130°F/54.4°C condenser in heat.

<sup>(3)</sup> Note: 60Hz units must not operate at 50Hz, and 50Hz units must not operate at 60Hz.

<sup>(4)</sup> Electric box is remote mounted up to 34" (0.86m) away from compressor. E-box dimensions are 2.7" (69mm) x 6.5" (165mm) x 8.8" (224mm).

† Refers to callouts shown in drawing below.



Dealer:

**DOMETIC MARINE**  
 2000 N. Andrews Ave. Ext. J Pompano Beach, FL 33069 USA | 954-973-2477 | Fax 954-979-4414  
 www.DometicUSA.com | MarineSales@DometicUSA.com

**United States & Canada Tech Support**  
 8:00 AM to 5:00 PM Eastern Time: 800-542-2477  
 After hours and weekends: 888-440-4494

**International Sales & Service:**  
 Europe & the Middle East: Call +44(0)870-330-6101  
 For all other areas visit our website to find your nearest distributor.

L-2502B Rev. 20100122

Specifications subject to change without notice.



**Cruisair**  
 by Dometic GROUP