

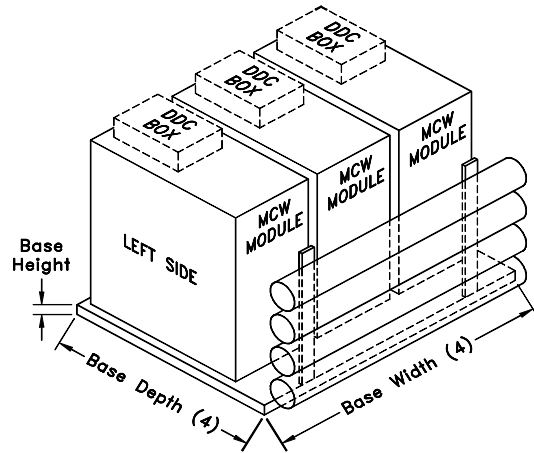
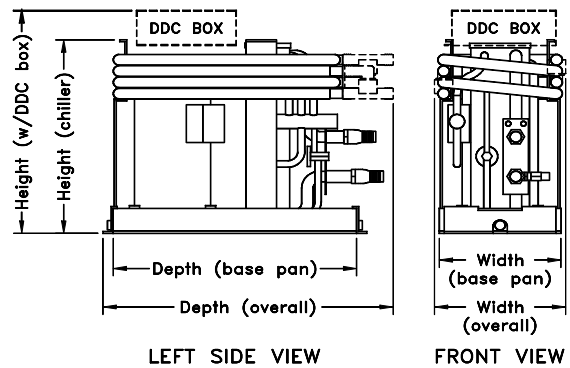
MCW Chiller Physical Specifications

Dometic Marine

| MODULES | Tons | Height (module) | Height (w/DDC box) | Depth (1) (base pan) | Depth (2) (overall) | Width (base pan) | Width (overall) | Water Connect | | Est. Net Weight | Est. Gross Weight |
|-------------|------|-----------------|--------------------|----------------------|---------------------|------------------|-----------------|---------------|------|-----------------|-------------------|
| | | | | | | | | Circ. | Sea | | |
| MCW24 | 2 | 22.50/57.2 | 22.50/57.2 | 24.00/61.0 | 26.00/66.1 | 12.00/30.5 | 12.50/31.8 | 1.0" | 1.0" | 107/49 | 194/88 |
| MCW36R | 3 | 22.75/57.8 | 26.00/66.1 | 24.00/61.0 | 26.00/66.1 | 12.00/30.5 | 12.50/31.8 | 1.0" | 1.0" | 135/61 | 222/101 |
| MCW36S | 3 | 22.50/57.2 | 23.50/59.7 | 24.00/61.0 | 26.00/66.1 | 12.00/30.5 | 12.50/31.8 | 1.0" | 1.0" | 107/49 | 194/88 |
| MCW48R | 4 | 22.75/57.6 | 26.00/66.1 | 24.00/61.0 | 28.50/72.4 | 12.00/30.5 | 13.00/33.0 | 1.0" | 1.0" | 159/72 | 246/112 |
| MCW48S 60Hz | 4 | 22.50/57.2 | 23.75/60.3 | 24.00/61.0 | 29.75/75.6 | 12.00/30.5 | 13.00/33.0 | 1.0" | 1.0" | 154/70 | 241/109 |
| MCW48S 50Hz | 4 | 23.63/60.0 | 24.38/61.9 | 24.00/61.0 | 29.75/75.6 | 12.00/30.5 | 13.00/33.0 | 1.0" | 1.0" | 154/70 | 241/109 |
| MCW60R | 5 | 26.44/67.2 | 29.69/75.4 | 24.00/61.0 | 29.00/73.7 | 12.00/30.5 | 13.00/33.0 | 1.0" | 1.0" | 173/78 | 260/118 |
| MCW60S 1Ph | 5 | 23.63/60.0 | 26.88/68.3 | 24.00/61.0 | 28.75/73.0 | 12.00/30.5 | 13.00/33.0 | 1.0" | 1.0" | 176/80 | 263/119 |
| MCW60S 3Ph | 5 | 22.50/57.2 | 25.75/65.4 | 24.00/61.0 | 28.75/73.0 | 12.00/30.5 | 13.00/33.0 | 1.0" | 1.0" | 176/80 | 263/119 |
| MCW72S 60Hz | 6 | 22.50/57.2 | 25.75/65.4 | 24.00/61.0 | 28.75/73.0 | 12.00/30.5 | 13.00/33.0 | 1.0" | 1.0" | 180/82 | 267/121 |
| MCW72S 50Hz | 6 | 24.50/62.2 | 28.50/72.4 | 24.00/61.0 | 34.00/86.4 | 16.00/40.6 | 17.50/44.5 | 1.0" | 1.0" | 265/120 | 365/166 |
| MCW90S | 7.5 | 28.00/71.1 | 31.55/80.1 | 24.00/61.0 | 28.50/72.4 | 16.00/40.6 | 18.00/45.7 | 1.5" | 1.5" | 310/141 | 410/186 |
| MCW120S | 10 | 34.25/87.0 | 38.55/97.9 | 24.00/61.0 | 28.50/72.4 | 16.00/40.6 | 18.00/45.7 | 1.5" | 1.5" | 390/177 | 500/227 |
| MCW150S | 12.5 | 46.24/117.5 | Box Remote | 26.75/67.9 | 31.88/81.0 | 18.63/47.3 | 19.50/49.5 | 1.5" | 2.0" | 425/193 | 545/247 |
| MCW180S | 15 | 49.20/125.0 | Box Remote | 26.75/67.9 | 31.88/81.0 | 18.63/47.3 | 19.50/49.5 | 2.0" | 2.0" | 475/215 | 600/272 |

| BASES | Height (3) | Depth (4) | Width (4) |
|---------------------|------------|-------------|--------------|
| 2-6 ton modules (5) | | | |
| 2 stages | 1.50/3.8 | 31.00/78.7 | 28.00/71.1 |
| 3 stages | 1.50/3.8 | 31.00/78.7 | 41.50/105.4 |
| 4 stages | 1.50/3.8 | 31.00/78.7 | 55.50/141.0 |
| 5 stages | 1.50/3.8 | 31.00/78.7 | 69.50/176.5 |
| 7.5-10 ton modules | | | |
| 2 stages | 3.00/7.6 | 35.50/90.2 | 36.00/91.4 |
| 3 stages | 3.00/7.6 | 35.50/90.2 | 53.50/135.9 |
| 4 stages | 3.00/7.6 | 35.50/90.2 | 71.50/181.6 |
| 5 stages | 3.00/7.6 | 35.50/90.2 | 88.50/224.8 |
| 12.5-15 ton modules | | | |
| 2 stages | 4.00/10.2 | 41.75/106.0 | 39.25/99.7 |
| 3 stages | 4.00/10.2 | 41.75/106.0 | 59.88/152.1 |
| 4 stages | 4.00/10.2 | 41.75/106.0 | 80.50/204.5 |
| 5 stages | 4.00/10.2 | 41.75/106.0 | 101.13/256.9 |

| ELECTRIC BOXES (6) (REMOTE MOUNTED) | Width | Height (7) | Depth |
|--|----------------|------------|-----------|
| DDC 2-6 ton (1 per stage) | 9.80/24.9 | 11.00/27.9 | 3.70/9.4 |
| DDC 7.5-10 ton (1 per stg) | 12.00/30.5 | 13.30/33.8 | 4.30/10.9 |
| DDC 12.5-15 ton | Dimensions TBD | | |
| CWMC-OTS | | | |
| Standard "Off the Shelf" | 12.00/30.5 | 14.00/35.6 | 4.63/11.7 |
| OTS with 1 extra pump | 15.00/38.1 | 11.00/27.9 | 4.63/11.7 |
| CWMC w/DDC | | | |
| 2 stages | 22.00/55.9 | 24.00/61.0 | 7.75/19.9 |
| 3 stages (8) | 22.00/55.9 | 24.00/61.0 | 7.75/19.9 |
| 4 stages | 30.00/76.2 | 24.00/61.0 | 7.75/19.9 |
| 5 stages | 35.00/88.9 | 24.00/61.0 | 7.75/19.9 |
| Hydromatic (9) | | | |
| 2 stages & 3 stages 3ph | 24.00/61.0 | 22.00/55.9 | 6.75/17.1 |
| 3 stages 1ph & 4 stages | 30.00/76.2 | 22.00/55.9 | 6.75/17.1 |
| 5 stages | 30.00/76.2 | 24.00/61.0 | 6.75/17.1 |
| 5 stages I.P. | 34.00/86.4 | 24.00/61.0 | 6.75/17.1 |



NOTES:

- Verify all critical dimensions with Dometic. All dimensions are given in inches/cm and all estimated weights are in pounds/kg (+/-10%). Dimensions of frames and bases are ± 1/4" (0.7cm). Dimensions of modules and manifolds are ± 1/2" (1.3cm).
- For all modules, add 1.0" (2.5cm) to both front and back for mounting brackets.
- Overall depth includes mounting bracket in back (for 2-10 ton modules) and condenser tees in front (see diagram).
- Add module height and base height for overall height of a multi-staged chiller mounted on a base.
- Manifolds may extend up to 5.0" (12.7cm) in front of and up to 7.0" (17.8cm) to the side of base (see diagram).
- Use base dimensions of 7.5 ton modules for MCW 6 ton at 50Hz.
- Electric box sizes shown are for typical chillers, multiple stages of electric heat or additional pumps may increase box size.
- Add 1.0" (2.5cm) to top & bottom for mounting tabs, also allow a minimum clearance of 4.0" (10.2cm) on bottom for harnesses.
- If a three stage chiller has electric heat and/or 3-4 pumps, then use the four stage electric box size.
- If using frequency drives, specify the next size smaller box. If box is immersion protected (I.P.), specify the next size up.

In the interest of product improvement, the specifications and design as outlined herein are subject to change without prior notice.