

50Hz Models
Now Available!

Dometic EnviroComfort Kit

Climate Control at the Touch of a Button



Dometic EnviroComfort
15,000 BTU/hr Kit

Enjoy ideal temperatures in your boating environment year-round with Dometic's EnviroComfort air conditioning systems. We offer a wide range of capacities from 5,000 to 15,000 BTU/hr, so you can size the system to suit your boat for ultimate cooling and heating comfort. All EnviroComfort models use R-417A refrigerant, an environmentally safe gas.

The EnviroComfort kit includes everything needed for a professional installation on boats with or without an existing air conditioning system.

EnviroComfort units use high-velocity blowers that eliminate blower-motor overhang for a smaller installation footprint. For flexibility in connecting to ductwork, the blower is rotatable to either a horizontal or vertical position. The compact, space-saving design is contained in a stainless-steel drain pan, and the pre-installed return-air filter is easily removable and cleanable.

For system operation, EnviroComfort kits include a compact Dometic digital-display control. For added installation convenience, the plastic electrical box can be mounted remotely.



For applications requiring an additional air outlet, Dometic's dual-duct kit (shown at left) is available for EnviroComfort models with BTU/hr capacities of 6.5K and higher.

Key Benefits

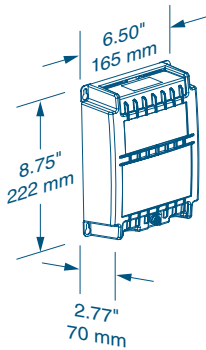
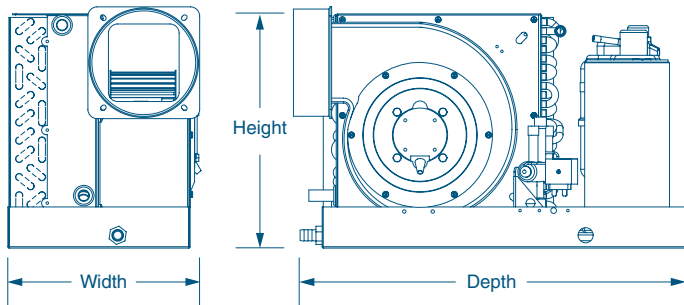
- Cools and heats.
- Available in 50Hz and 60Hz models.
- High velocity, rotatable blower for horizontal or vertical installation.
- Green gas (R-417A).
- Compact Dometic digital-display control.
- Plastic remote electrical box for convenience in mounting.
- Stainless-steel drain pan.
- Pre-installed return-air filter, easily removable and cleanable.
- Small, compact, space-saving design.
- Complete kit - All pieces, parts, and pumps (from seawater intake to supply-air grille).
- Optional dual-duct kit for models 6.5K BTU/hr and higher (details on reverse side).
- Available capacities (in BTU/hr): 5,000, 6,500, 9,000, 11,000, and 15,000.
- Replaces Cabin Mate.

Technical Specifications for Dometic EnviroComfort Air Conditioners

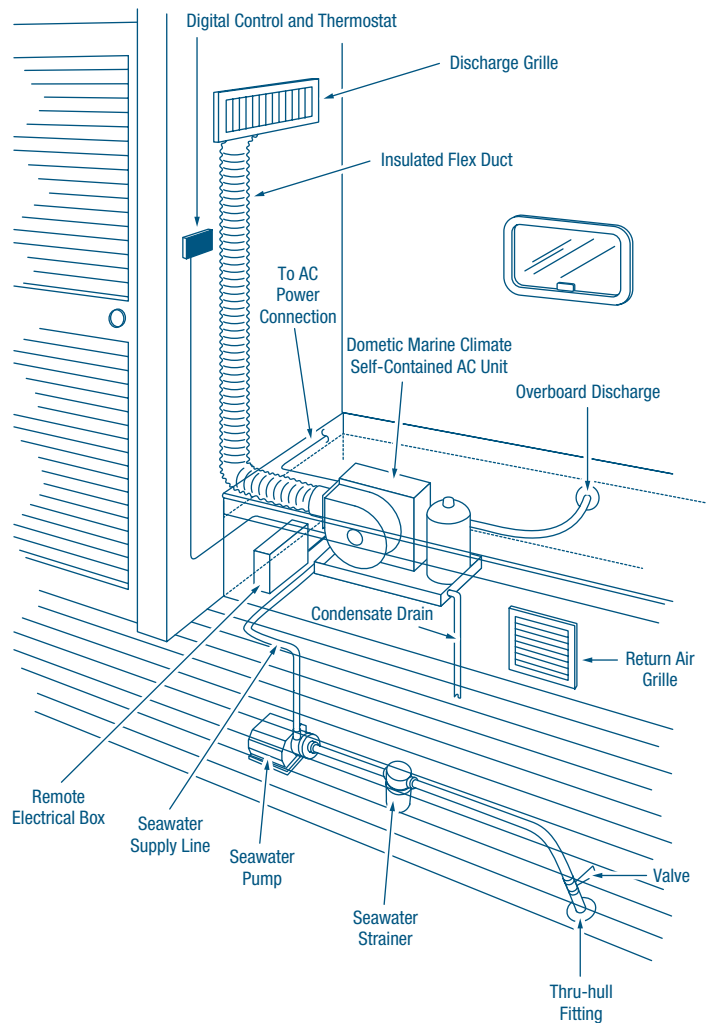
Model	ECD05		ECD06.5	ECD09	ECD11		ECD15	
Capacity (BTU/hr)	5,000		6,500	9,000	11,000		15,000	
Power (Volt/Hz/Ph)	115/60/1	220/50/1	115/60/1	115/60/1	115/60/1	220/50/1	115/60/1	220/50/1
Full Load Amps - Cool	3.8	2.2	5.4	6.3	6.8	3.7	10.0	4.5
Full Load Amps - Heat	5.0	2.9	7.0	8.6	9.4	4.7	13.0	5.8
Locked Rotor Amperage	29.0	11.0	40.0	49.0	53.0	22.2	67.0	32.0
Refrigerant type	R-417A		R-417A	R-417A	R-417A		R-417A	
Control type	Dometic Digital		Dometic Digital	Dometic Digital	Dometic Digital		Dometic Digital	
Dimensions (± 0.5" or 13mm)								
Height (in/mm)	11.75/298		11.75/298	13.50/343	13.50/343		13.50/343	
Width (in/mm)	9.50/241		9.50/241	9.75/248	9.75/248		11.00/279	
Depth (in/mm)	17.75/451		19.75/502	21.75/552	21.75/552		21.75/552	
Connections								
Sea Water (in/mm)	0.63/16		0.63/16	0.63/16	0.63/16		0.63/16	
Estimated Weight ⁽¹⁾								
Net weight (lbs/kg)	39.0/17.7		44.0/19.6	58.0/26.3	57.0/25.9		64.0/29.0	
Ship weight (lbs/kg)	TBD		TBD	TBD	TBD		TBD	

Notes:

⁽¹⁾ Weights listed are for ECM units only and do not include kit components.



Dimensions for remote-mountable electrical box for all ECD models.



DOMETIC MARINE DIVISION

2000 N. Andrews Ave. Ext. I Pompano Beach, FL 33069 USA | 954-973-2477 | Fax 954-979-4414
 www.DometicUSA.com | MarineSales@DometicUSA.com

24/7 Tech Support for United States & Canada:

8:00 AM to 5:00 PM Eastern Time: 800-542-2477
 After hours and weekends: 888-440-4494

International Sales & Service:

Europe & the Middle East: Call +44(0)870-330-6101
 For all other areas visit our website to find your nearest distributor.



Environmentally Responsible

Dealer: