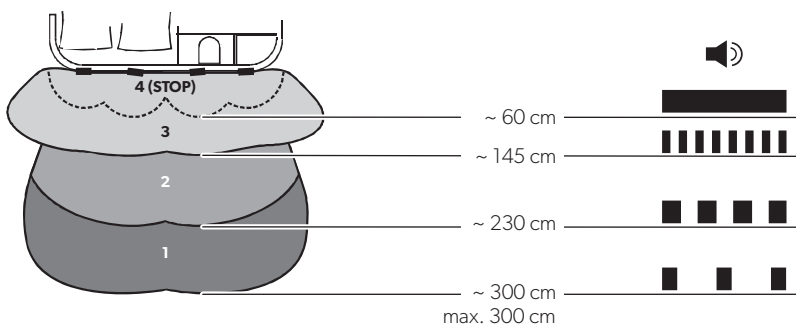


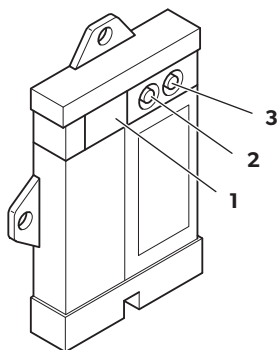


14

EN: 10	ES: 55	NL: 99	NO: 140	PL: 183	HU: 225
DE: 25	PT: 70	DA: 113	FI: 154	SK: 197	
FR: 40	IT: 85	SV: 127	RU: 169	CS: 211	

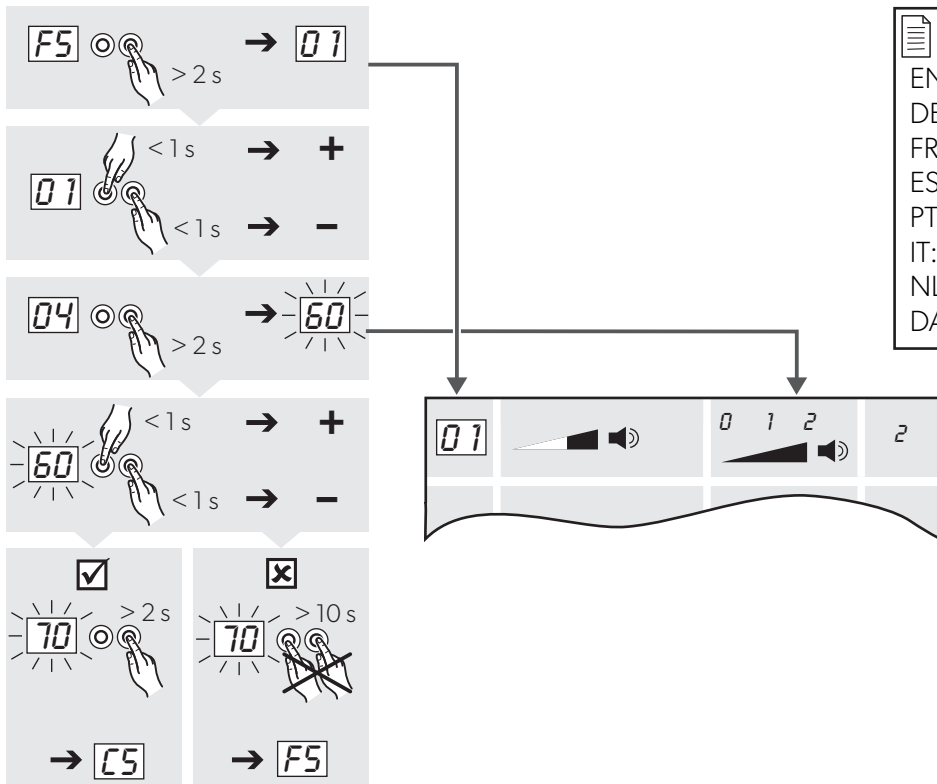


15



EN: 11	SV: 127
DE: 26	NO: 141
FR: 41	FI: 155
ES: 56	RU: 170
PT: 71	PL: 184
IT: 86	SK: 198
NL: 100	CS: 212
DA: 114	HU: 226

16

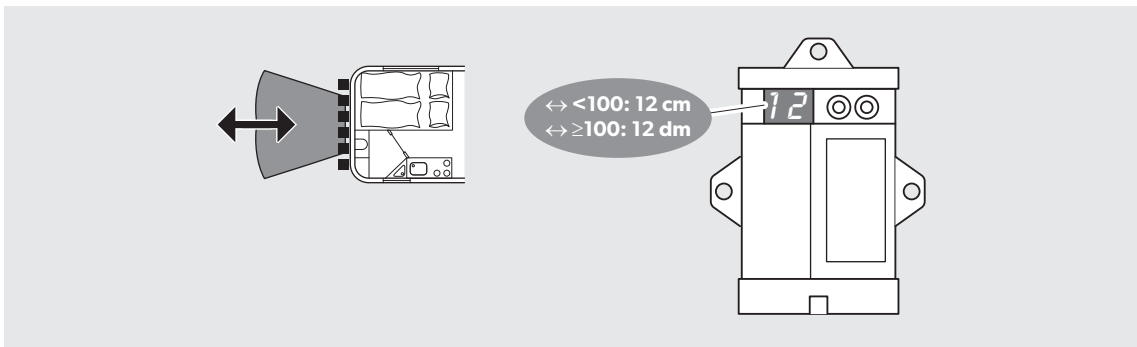


EN: 11	SV: 127
DE: 26	NO: 141
FR: 41	FI: 155
ES: 56	RU: 170
PT: 71	PL: 184
IT: 86	SK: 198
NL: 100	CS: 212
DA: 114	HU: 226





EN: 11	ES: 56	NL: 100	NO: 141	PL: 184	HU: 226
DE: 26	PT: 71	DA: 114	FI: 155	SK: 198	
FR: 41	IT: 86	SV: 127	RU: 170	CS: 212	



		Min ... Max	Factory
01		0 1 2	2
03	n	0, 2, 3, 4, 6	6
07		0, 02 ... 05 0, 2-5 s	5 5 s
10		00, 02, 05 OFF, ...cm, SW	00 OFF
41		-9 ... +9	5
42		-9 ... +9	5
43		-9 ... +9	5
44		12 ... 30 120 - 300 cm	30 300 cm
45		12 ... 30 120 - 300 cm	30 300 cm
46		50 ... 19 50 - 190 cm	16 160 cm
47	STOP	35 ... 12 35 - 120 cm	65 65 cm
48	STOP	35 ... 12 35 - 120 cm	65 65 cm
49	STOP	35 ... 12 35 - 120 cm	65 65 cm

		Min ... Max	Factory
51		00, 10, 20, 30	00
52		00, 10, 20, 30	00
53		00, 10, 20, 30	00
54		00, 01	01
56		00, 01	01
59		0 ... 1	0
61	STOP	10 ... 13 100 - 130 cm	10 100 cm
62	STOP	10 ... 13 100 - 130 cm	10 100 cm
63	STOP	10 ... 13 100 - 130 cm	10 100 cm