

DOMETIC

AWNINGS

POWER CHANNEL

EN

Power Channel Accessories

Installation and Operating Manual

USA & Canada

Service Office
Dometic Corporation
1120 North Main Street
Elkhart, IN 46514

Service Center & Dealer Locations

Visit:
www.dometic.com

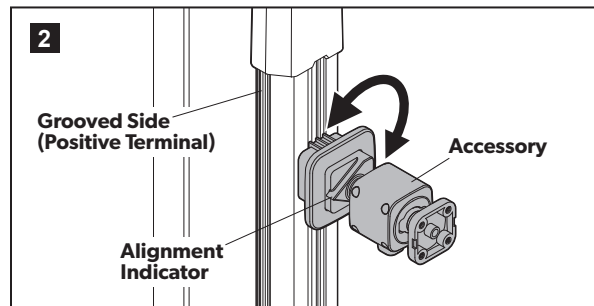
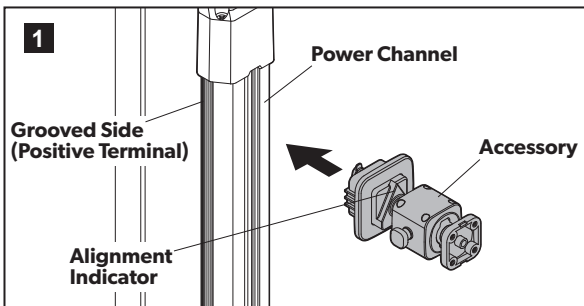
Read these instructions carefully. These instructions MUST stay with this product.

NOTICE Do **not** leave the accessories installed while traveling. Failure to obey this notice could result in product or property damage.



Refer to the instructions included with the Power Channel Rail for important safety information.

1 INSTALLING AND REMOVING POWER CHANNEL ACCESSORIES



- Align the alignment indicator with the power channel and insert the accessory into the power channel.
- To lock the accessory into place, rotate it 90° so the alignment indicator is pointing towards the grooved side of the power channel rail.
- To remove the accessory, lift the spring-loaded base on the accessory, rotate the accessory 90° so the alignment indicator is aligned with the power channel, and remove.

2 OPERATING THE ACCESSORIES

2.1 Single and dual speaker

- To turn ON the speaker, press the power button for one second.
- Scan for Dometic speakers on a Bluetooth compatible device.
- Select to connect to the desired speaker.
- To disconnect the speaker from Bluetooth, press the power button for one second.
- To turn OFF the speaker, press the power button for two to three seconds.

2.2 Fan, LED floodlight, and LED spotlight

- To turn ON the device, press the power button.
- To turn OFF the device, press the power button for two to three seconds.

2.3 USB charger



The USB charger is always ON when installed onto the power channel. The power indicator will be illuminated.

FCC STATEMENT

1. This device complies with the Code of Federal Regulations, Title 47, Part 15, Radio Frequency Devices. Operation is subject to the following two conditions:
 - (1) This device may not cause harmful interference.
 - (2) This device must accept any interference received, including interference that may cause undesired operation.
2. Changes or modifications not expressly approved by the party responsible for compliance could void the user's authority to operate the equipment.

NOTE: This equipment has been tested and found to comply with the limits for a Class B digital device, pursuant to Part 15 of the FCC Rules. These limits are designed to provide reasonable protection against harmful interference in a residential installation.

This equipment generates, uses, and can radiate radio frequency energy and, if not installed and used in accordance with the instructions, may cause harmful interference to radio communications. However, there is no guarantee that interference will not occur in a particular installation. If this equipment does cause harmful interference to radio or television reception, which can be determined by turning the equipment off and on, the user is encouraged to try to correct the interference by one or more of the following measures:

- Reorient or relocate the receiving antenna.
- Increase the separation between the equipment and receiver.
- Connect the equipment into an outlet on a circuit different from that to which the receiver is connected.
- Consult the dealer or an experienced radio/TV technician for help.