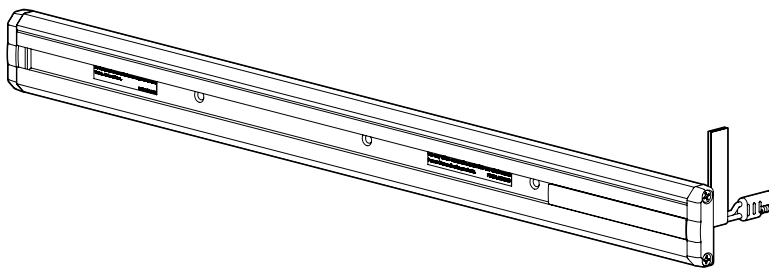


# ↗ DOMETIC

# AWNINGS

# POWER CHANNEL



**Model 3317102.001# - 2 FT.**

EN

**Outdoor Power Channel Rail**  
Installation and Operating Manual

## NORTH AMERICAN ADDRESS INFORMATION

### USA & CANADA

Service Office  
Dometic Corporation  
1120 North Main Street  
Elkhart, IN 46514

### Service Center & Dealer Locations

Visit: [www.dometic.com](http://www.dometic.com)

**Read these instructions carefully. These instructions MUST stay with this product.**

## CONTENTS

1	Explanation of symbols and safety instructions . . . . .	3
2	General information . . . . .	3
3	Intended use . . . . .	4
4	Prepare for installation . . . . .	4
5	Installation . . . . .	5
6	Operation . . . . .	6

# 1 EXPLANATION OF SYMBOLS AND SAFETY INSTRUCTIONS

This manual has safety information and instructions to help you eliminate or reduce the risk of accidents and injuries.

## 1.1 Recognize safety information



This is the safety alert symbol. It is used to alert you to potential physical injury hazards. Obey all safety messages that follow this symbol to avoid possible injury or death.

## 1.2 Understand signal words

A signal word will identify safety messages and property damage messages, and will indicate the degree or level of hazard seriousness.

**⚠ WARNING** indicates a hazardous situation that, if **not** avoided, could result in death or serious injury.

**⚠ CAUTION** indicates a hazardous situation that, if **not** avoided, could result in minor or moderate injury.

**NOTICE** is used to address practices **not** related to physical injury.



indicates additional information that is not related to physical injury.

## 1.3 Supplemental directives



Read and follow all safety information and instructions to avoid possible injury or death.

Read and understand these instructions before installation / use of this product.

Incorrect installation / operation of this product can lead to serious injury.

The installation **must** comply with all applicable local or national codes, including the latest edition of the following standards:

### U.S.A.

- ANSI/NFPA70, National Electrical Code (NEC)
- ANSI/NFPA 1192, Recreational Vehicles Code

### Canada

- CSA C22.1, Parts I & II, Canadian Electrical Code
- CSA Z240 RV Series, Recreational Vehicles

## 1.4 General safety messages

**⚠ WARNING** Failure to obey the following warnings could result in death or serious injury:

- This product must be installed by a qualified service technician.
- Do **not** modify this product in any way. Modification could cause the product to fall or cause a fire.
- This product should be installed in a controlled environment (inside).
- ELECTRICAL SHOCK HAZARD. This product is for use with 12 VDC power only. Do **not** connect to 120 VAC systems.

**NOTICE** Failure to obey the following notices could result in damage to the product:

- This product is for use with Dometic Power Channel Accessories only. Use with any other accessories could damage the product.
- Do **not** leave the accessories installed while traveling. Accessories could come loose during transit.

# 2 GENERAL INFORMATION

Included Hardware	Quantity	Recommended Tools	
#8 - 18 x 3/4" Flat Head Screw	3	Electric Drill	Phillips Screwdriver
		1/8" Drill Bit	Level

Optional Parts*	Reference Number
Fan	3316022.000, 3316972.000
Speaker	3316023.000, 3316973.000
Light	3316024.000
Dual Speaker	3316974.000
LED Spotlight	3316975.000
LED Floodlight	3316976.000
USB Charger	3316977.000

\*Available as an accessory (not included).

### 3 INTENDED USE

This power channel rail is designed and intended for use on a recreational vehicle (hereinafter referred to as "RV"). This rail can be installed by one person. Use these instructions to ensure the correct installation and function of the product. Keep these instructions with the product for future reference. The manufacturer accepts no liability for damage in the following cases:

- Faulty assembly or connection.
- Damage to the product resulting from mechanical influences and excess voltage.
- Alterations to the product without express permission from the manufacturer.
- Use for purposes other than those described in the operating manual.

### 4 PREPARE FOR INSTALLATION

**⚠ WARNING** IMPACT OR CRUSH HAZARD. Make sure the mounting surface on the RV is flat, has solid structural backing where fasteners penetrate the surface, and will safely and securely support the product. Otherwise, the product could become unstable and detach.

**NOTICE** Only use a 15 A fuse. Failure to obey this notice could result in damage to the product.

#### 4.1 Determining the rail location

- Allow 25" of unobstructed, flat surface for installation of the rail.
- Install the power wires according to applicable local and national codes. The power wires must be installed by a qualified service technician.
- Install a 15 A fuse (installer supplied) at the fuse panel for positive (+) 12 VDC power supply (RED wire) to the switch.



Read before proceeding:

- The power channel rail has a 2-wire connector installed on the wire harness. If no mating connector can be located, the wires may be cut and spliced to the RV wiring with appropriate type splices.
- Optionally, this product can be connected to an installer supplied switch (not included).

## 5 INSTALLATION

**NOTICE** Failure to obey the following notices could damage product or property:

- Disconnect the positive (+) 12 VDC terminal from supply battery. Otherwise, damage to the unit could occur.
- Always seal wiring against weather and moisture where wiring enters the RV's walls. Otherwise, leakage could occur.
- Do not pinch wiring or allow wiring to rub against sharp edges. If wiring is damaged, it must be replaced by a qualified service technician.

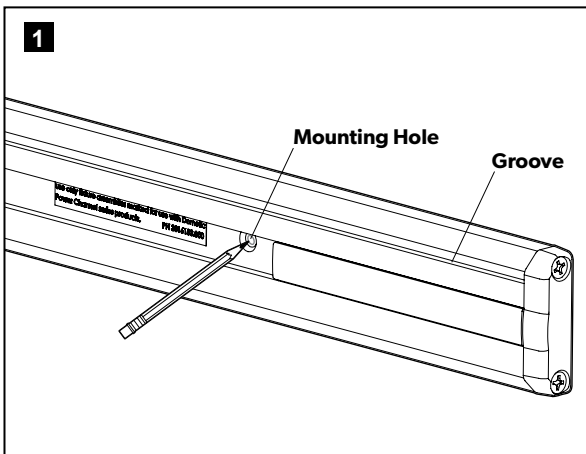
### 5.1 Installing the rail wiring

- Disconnect power to the circuit.
- Route the wiring through the wiring hole and grommet (not provided). Locate the positive (+) and negative (-) wires in the wall and connect them to the wiring from the power channel rail. Connect RED to positive (+) and BLACK to negative (-). Use connectors or appropriate splice devices.

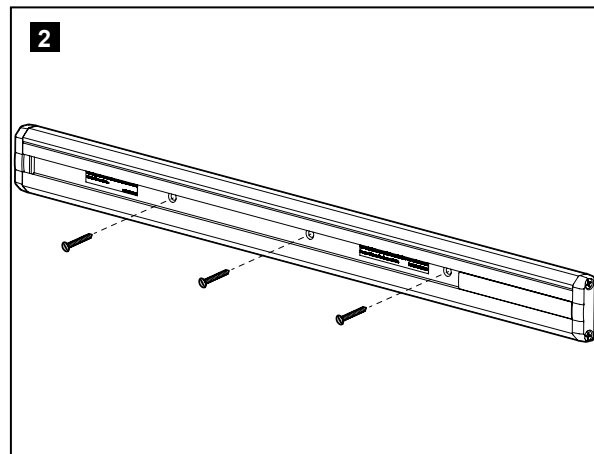
**i** If a grommet is **not** used, use heat-shrink tubing where the wiring will pass through the wall. Make sure the sealant will also provide effective and permanent protection against wire damage.

### 5.2 Mounting the power channel rail

**i** The mounting surface must be able to support at least 15 pounds. If the mounting surface cannot support at least 15 pounds, backing plates or different fasteners (installer supplied) must be used.

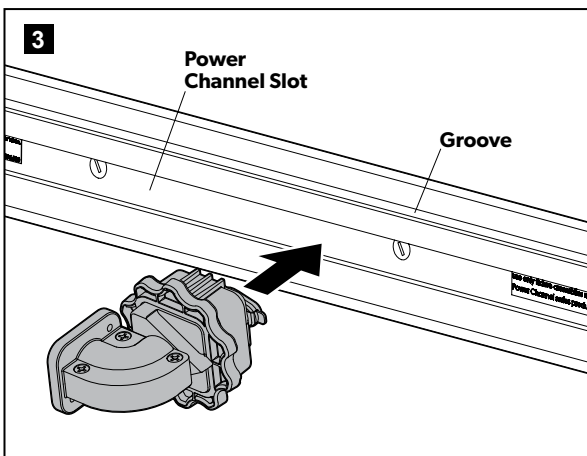


- Locate the groove in the power channel rail. The groove indicates the positive (+) terminal. Position the power channel rail with the groove-side up.
- Place the power channel rail in the selected location on the side of the RV, parallel to the floor. Make sure the power channel rail is straight.
- Mark the three mounting hole locations on the side of the RV. Remove the power channel rail.
- Drill a 1/8" pilot hole at each screw location.

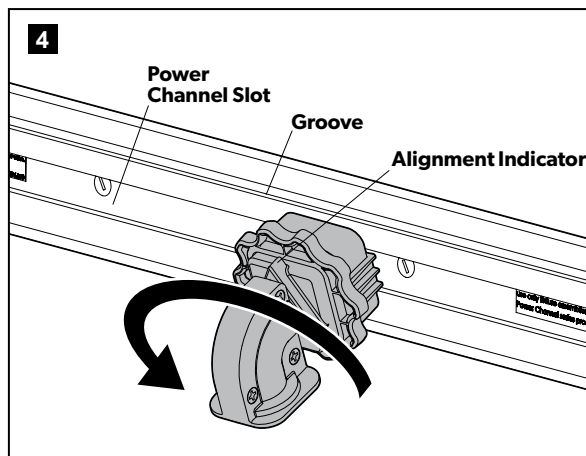


- Attach the power channel rail to the desired surface using the screws provided.
- Restore power to the circuit to test functionality.

### 5.3 Attach and remove accessories



- Align the alignment indicator with the power channel slot and insert the accessory into the power channel slot.



- To lock the accessory into place, rotate it 90° so the alignment indicator is pointing toward the grooved side of the power channel rail.
- To remove the accessory, lift the spring-loaded base on the accessory, rotate the accessory 90° so the alignment indicator is pointing toward the power channel slot, and pull the accessory away from the rail.

## 6 OPERATION

### 6.1 Operating the power channel rail

- Turn the power to the circuit ON. The power channel rail is always ON unless it is controlled by an installer supplied switch.



## LIMITED ONE-YEAR WARRANTY (AWNINGS)

THE SELLER NAMED BELOW MAKES THE FOLLOWING WARRANTY WITH RESPECT TO THE DOMETIC PRODUCT:

1. This Warranty is made only to the first purchaser (hereinafter referred to as the “Original Purchaser”), who acquires the Dometic Product for his or her own use and when the Dometic Product is installed and operated within the continental United States and Canada.
2. **WARRANTY PERIOD:** This Warranty will be in effect for one (1) year from the date of purchase by the Original Purchaser. The Original Purchaser should retain a copy of the dated bill of sale as evidence of the date of purchase.
3. **WARRANTY:** This Warranty covers labor, specified parts, and freight. The Dometic Product shall be free from defects in material and workmanship at the time of sale and under normal use. All Dometic Products (except those specifically built for commercial use) are warranted only when installed per the Seller’s installation instructions on vehicles built to R.V.I.A. A119-2 and C.R.V.A. Z-240 Standards. This Warranty does NOT cover conditions unrelated to the material and workmanship of the Dometic Product. Such unrelated conditions include, but are not limited to: (a) damage not reported within 30 days of ownership; such damage includes, but is not limited to, pin holes, out of square fabric, tears, and rips to fabric; (b) failure or damage caused by storms, rain, water pooling, or any acts of God; (c) faulty installation or installation that does not comply with the Seller’s instructions or R.V.I.A. and C.R.V.A. standards, and any damage resulting from such; (d) damage or failure caused by installation of accessories not manufactured and marketed by the Seller or any non-Dometic parts that are installed as replacement parts; (e) the need for normal maintenance and any damage resulting from the failure to provide such maintenance; (f) failure to follow Seller’s instructions for use of this Dometic Product; (g) any accident to, or misuse of, any part of the Dometic Product and any alteration by anyone other than the Seller or its authorized representative; (h) cosmetic issues caused during installation; (i) normal wear; and (j) Dometic Product abuse.
4. **WARRANTY COVERS DOMETIC COMPONENT PARTS:** All Dometic component parts are covered under this Limited Warranty.
5. It is suggested that the Original Purchaser provide preventative maintenance on a yearly basis. The preventative maintenance suggested is: (a) assure proper winding of fabric; (b) cleaning of fabric; and (c) inspection and lubrication of cam lock lever, lift-lock assembly, and hardware slide areas. The cost of this preventative maintenance is the Original Purchaser’s responsibility and the preventative maintenance should take about one hour.
6. **WARRANTY REMEDY:** In order to obtain the benefits of this Warranty, the Original Purchaser has the following two options during the WARRANTY PERIOD:
  - a. Preferred option: Deliver the Dometic Product for inspection to the nearest Authorized Dometic Service Center during the Warranty Period. To obtain the location of the nearest Authorized Dometic Service Center, refer to <https://www.dometic.com/en-us/us/find-a-dealer>. The Authorized Dometic Service Center will work with the Seller to obtain Warranty coverage if a Seller defect is identified. **CONFIRM THE SERVICE CENTER IS AN AUTHORIZED DOMETIC SERVICE CENTER. DO NOT PAY THE SERVICE CENTER FOR WARRANTY REPAIRS.**
  - b. Second option: If it is not feasible under the circumstances to deliver the Dometic Product to an Authorized Dometic Service Center, please call 1-800-544-4881 for additional Warranty assistance. Seller prefers option a. first and only option b. if option a. is determined not to be feasible under the circumstances
7. Any item returned in the manner described in paragraph 6 will be examined by the Authorized Dometic Service Center. If it is found that the returned item was defective in material and workmanship at the time of sale, the Authorized Dometic Service Center will contact the Seller for Warranty coverage. The Seller shall, at Dometic’s sole option, repair or replace the Dometic Product, or refund Original Purchaser’s purchase price. If the Seller determines that repairs to the Dometic Product are to be made, then only authorized Dometic parts will be used.
8. The Seller does not authorize any person or company to create any Warranty obligations or liability on its behalf. This Warranty is not extended by the length of time which you are deprived of the use of the Dometic Product.
9. **IN NO EVENT SHALL SELLER BE LIABLE FOR EITHER INCIDENTAL OR CONSEQUENTIAL DAMAGES. THIS INCLUDES ANY DAMAGE TO ANOTHER PRODUCT OR PRODUCTS RESULTING FROM SUCH A DEFECT. SOME STATES DO NOT ALLOW THE EXCLUSION OR LIMITATION OF INCIDENTAL OR CONSEQUENTIAL DAMAGES, SO THE ABOVE LIMITATIONS MAY NOT APPLY TO YOU.**
10. **ANY IMPLIED WARRANTY, INCLUDING THE IMPLIED WARRANTY OF MERCHANTABILITY AND FITNESS FOR ANY PURPOSE, IS LIMITED TO THE DURATION OF THIS LIMITED WARRANTY. SOME STATES DO NOT ALLOW LIMITATIONS ON HOW LONG AN IMPLIED WARRANTY LASTS, SO THE ABOVE LIMITATION MAY NOT APPLY TO YOU.**
11. **THIS WARRANTY GIVES SPECIFIC LEGAL RIGHTS, YOU MAY ALSO HAVE OTHER RIGHTS WHICH VARY FROM STATE TO STATE.** No action to enforce this Warranty shall be commenced later than ninety (90) days after the expiration of the Warranty Period. Claims must be submitted in writing to the Dometic Warranty Department.
12. The Seller reserves the right to change the design of any Dometic product without notice and with no obligation to make corresponding changes in Dometic products previously manufactured.

### PROTECTION FOR YOUR NEW INVESTMENT

We appreciate that you have chosen to purchase a Dometic product for your recreational vehicle and we want to help you protect this wise investment. We at Dometic, back our products with one of the most comprehensive warranties in the industry. **Register your product online at: [www.eDometic.com](http://www.eDometic.com).**

### Dometic Corporation

Warranty Department  
1120 North Main Street  
Elkhart, Indiana 46514  
**1-574-294-2511**  
Register Your Product @  
[www.eDometic.com](http://www.eDometic.com)

### REVISION C

Form No. 3108434.048 (01/18)  
(French 3108925.037\_C)  
©2018 Dometic Corporation  
LaGrange, IN 46761