

# Skyscreen Roller Concealed Order Form and Product Guide

Customer \_\_\_\_\_  
 Address \_\_\_\_\_  
 \_\_\_\_\_  
 \_\_\_\_\_

Tel \_\_\_\_\_  
 Fax \_\_\_\_\_  
 Mobile \_\_\_\_\_  
 Email \_\_\_\_\_

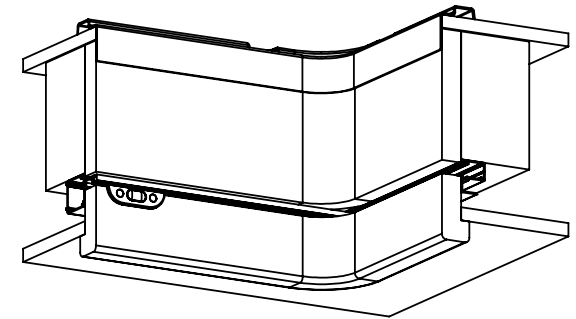
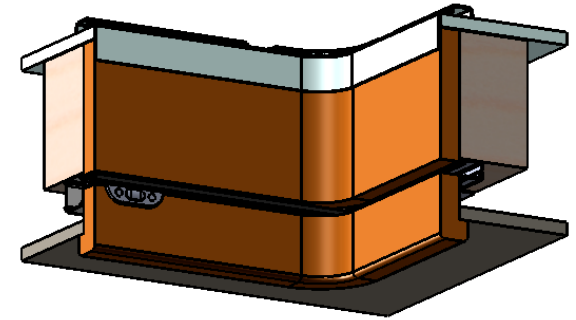
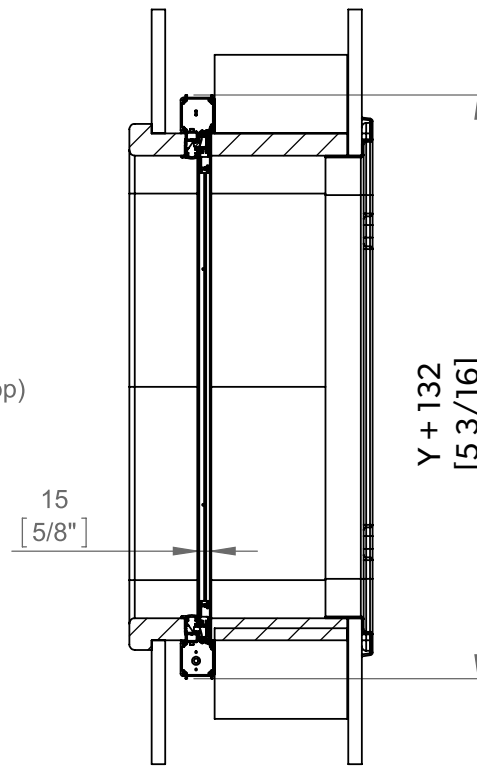
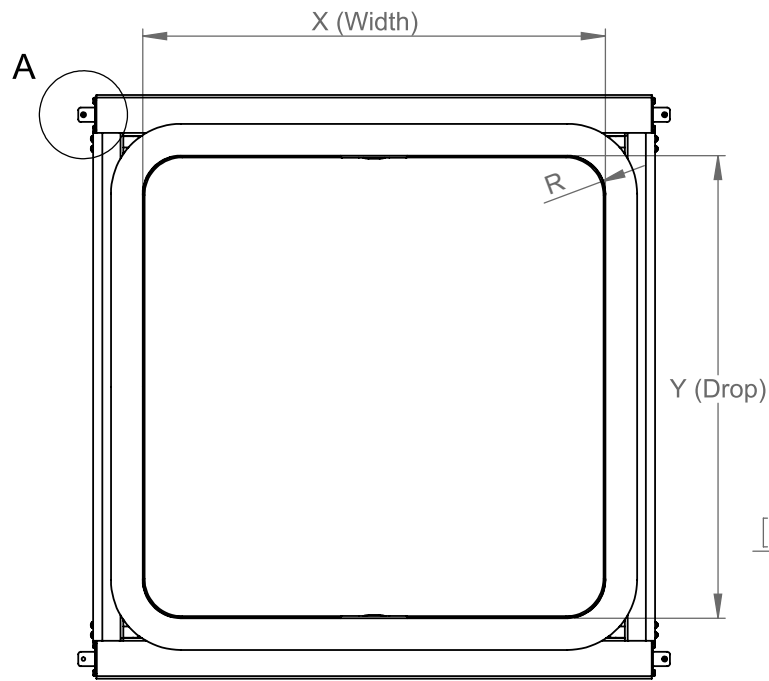
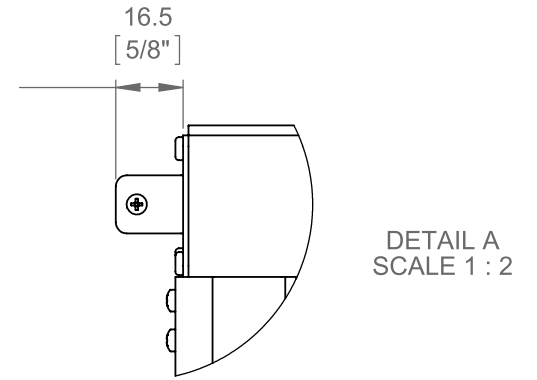
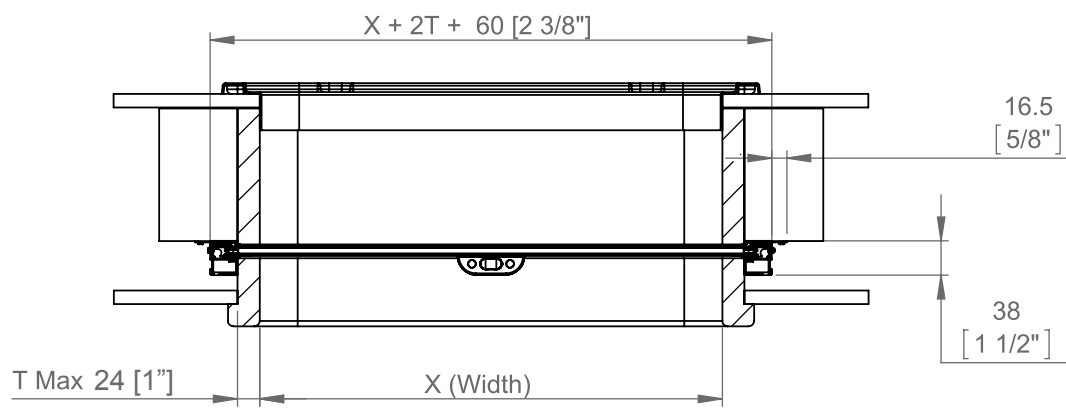
Order \_\_\_\_\_  
 Quote \_\_\_\_\_  
 Project Name \_\_\_\_\_  
 Project Location \_\_\_\_\_  
 Date \_\_\_\_\_

Item	Window ID	Width (X) <sup>1</sup>	Drop (Y) <sup>1</sup>	Button Housing Colour	Format / Fabric Type	Blind fabric code	Customer supplied Trim thickness <sup>2</sup>	CSS1 to CSS2 Adaptor Plate <sup>3</sup>	Qty
1				White Chrome Dark grey	Full travel	Blind/Fly		Required	
					Meet in the Middle	Blind/Blind Fly/Fly			
2				White Chrome Dark grey	Full travel	Blind/Fly		Required	
					Meet in the Middle	Blind/Blind Fly/Fly			
3				White Chrome Dark grey	Full travel	Blind/Fly		Required	
					Meet in the Middle	Blind/Blind Fly/Fly			

1. If the Y measurement exceeds the X measurement by 30%, contact manufacturer for assessment before order.
2. Trim thickness cannot exceed 24mm (1") unless handle is re-fitted with larger screws (not supplied). Overall width dimensions will be affected by trim thickness.
3. Only required if upgrading a Skyscreen Concealed 1 to a Skyscreen Concealed 2 in the same window/hatch location

	Width	Drop
Min	200mm [77/8"]	200mm [77/8"]
Max	800mm [31½"]	800mm [31½"]

# Skyscreen Roller Concealed Order Form and Product Guide



The maximum thickness can be up to 24mm [1"]