

DOMETIC

CLIMATE CONTROL

AIR COMMAND

EN Air Command Conversion Kit

Conversion Kit Installation Instructions

USA & CANADA
Service Office
Dometic Corporation
1120 North Main Street
Elkhart, IN 46514

Service Center & Dealer Locations
Visit: www.dometic.com

This Conversion Kit will be installed with the Dometic Quick Cool Ducted Return Air Package PN 3315930.010 to cover the holes that are already drilled on the ceiling of the RV for installation of the 15083 Rooftop Air Conditioner Indoor Unit.

Affected Air Command Models	Conversion Kit Number
15028, 15032, 15033, 15207	3317203.000

1 Explanation of Symbols and Safety Instructions

This manual has safety information and instructions to help you eliminate or reduce the risk of accidents and injuries.

1.1 Recognize Safety Information

! This is the safety alert symbol. It is used to alert you to potential physical injury hazards. Obey all safety messages that follow this symbol to avoid possible injury or death.

1.2 Understand Signal Words

A signal word will identify safety messages and property damage messages, and it will indicate the degree or level of hazard seriousness.

! WARNING

This indicates a hazardous situation that, if **not** avoided, could result in death or serious injury.

NOTICE: Used to address practices **not** related to physical injury.

i Indicates additional information that is **not** related to physical injury.

2 Conversion Kit Contents

This table is a break down of all of the components included in the Conversion Kit.

Part Number	Description
34551	Foam Tape
3317206.000	Air Command Conversion Kit Installation Instructions
3317207.000	Install Conversion Template Assembly

3 Preparing for Installation

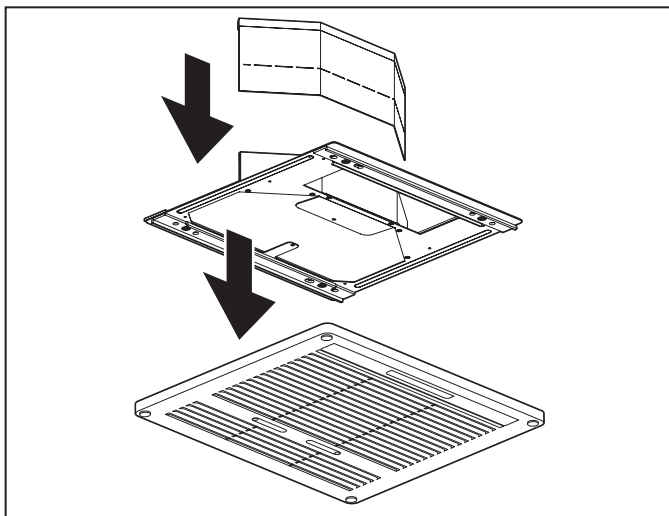
⚠ WARNING: FIRE AND/OR ELECTRICAL SHOCK HAZARD

Disconnect all power to the unit before removal and installation of the new unit. Failure to obey this warning could result in death or serious injury.

i The images used in this document are for reference purposes only. Components and locations may vary according to specific models.

Remove the currently installed Rooftop Air Conditioner Indoor Unit from the ceiling of the RV.

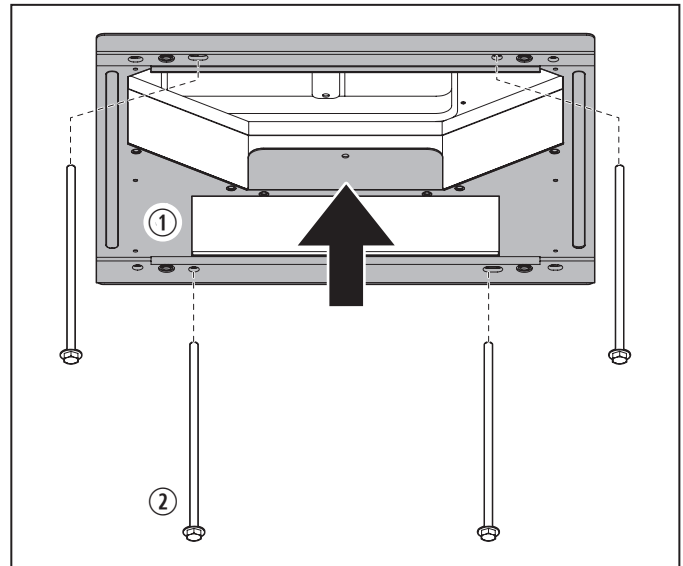
i Do not use the mounting bolts that are included in the Dometic Quick Cool Ducted Air Return Package PN 3315930.010. Use the four mounting bolts from the 15083 Rooftop Air Conditioner Indoor Unit for installation.



1 Removing the Currently Installed Rooftop Air Conditioner Unit

Remove the Install Conversion Template Assembly, Return Air Cover, and Ceiling Template from the Shipping Carton.

4 Installing the Ceiling Template From the Dometic Quick Kit



2 Installing the Ceiling Templates

- ① Ceiling Template
- ② Mounting Bolts

1. Hold the Ceiling Template up to the roof opening.

i Make sure the large plate faces the rear of the RV.

2. Start each mounting bolt through the Ceiling Template and up into the unit base pan by hand.

⚠ WARNING: ELECTRICAL SHOCK HAZARD.

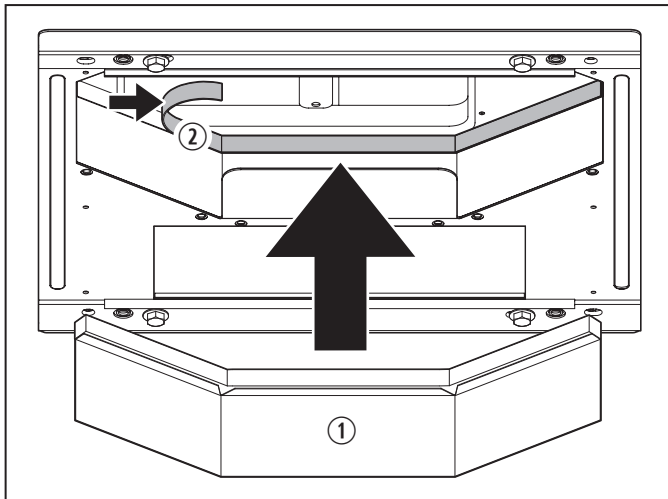
When installing screws, be sure that the screws do not contact any wires. Failure to obey this warning could result in death or serious injury.

3. Evenly tighten all four mounting bolts. Do not exceed 4.4 ft-lbf (6 Nm).

NOTICE: Over-tightening the mounting bolts could damage the Unit's base pan or the Ceiling Template. Not enough torque will cause an inadequate roof seal, and could result in a leak.

5 Installing the Divider Plate

1. Measure the ceiling-to-roof thickness.
 - If the distance is 2.0 in. to 3.75 in. (50 mm to 95 mm), remove the perforated tabs from the Divider Plate.
 - If the distance is 3.75 in. to 5.5 in. (95 mm to 140 mm), do not remove the perforated tabs from the Divider Plate.
2. Remove the backing paper from the double-sided tape located on the Ceiling Template.

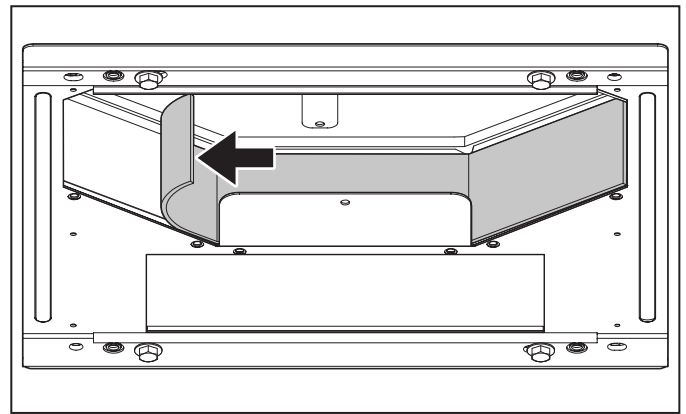


3 Installing the Divider Plate

- ① Divider Plate
- ② Double-Sided Tape

NOTICE: The Divider Plate must be installed correctly. Incorrect installation of the Divider Plate could cause the Compressor to quick-cycle resulting in supply circuit overload and reduced product performance.

- i** The adhesive on the double-sided tape is extremely sticky. Ensure the Divider Plate is properly positioned before pressing it into place.
3. Firmly push the Divider Plate up to the bottom of the unit base pan. The foam tape on the Divider Plate must seal to the bottom of the Base Pan.
 4. Slightly push the Divider Plate against the double-sided tape on the Ceiling Template.

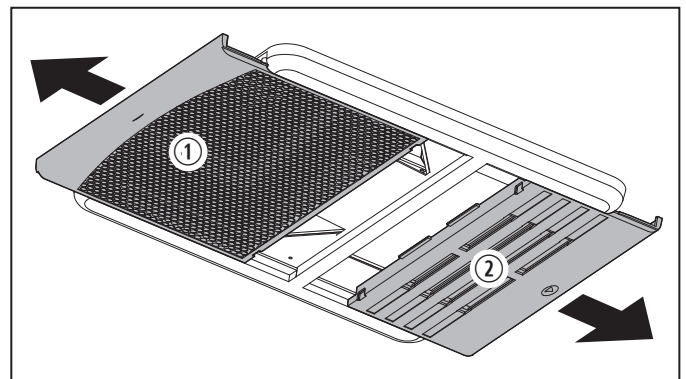


4 Installing the Self-Adhesive Insulation

5. Remove the backing paper from the 0.12 in. x 7 in. x 18 in. (3 mm x 178 mm x 457 mm) self-adhesive insulation and stick it onto the Ceiling Template Divider Plate.

- i** Excess width is intended to seal the Divider Plate to the sides of the roof opening. This is to help prevent cold air discharge from circulation into the unit's return air opening.
- i** If the insulation is too high, place excess height of the insulation to the unit base pan. Do not cover the Unit's Rating Plate.

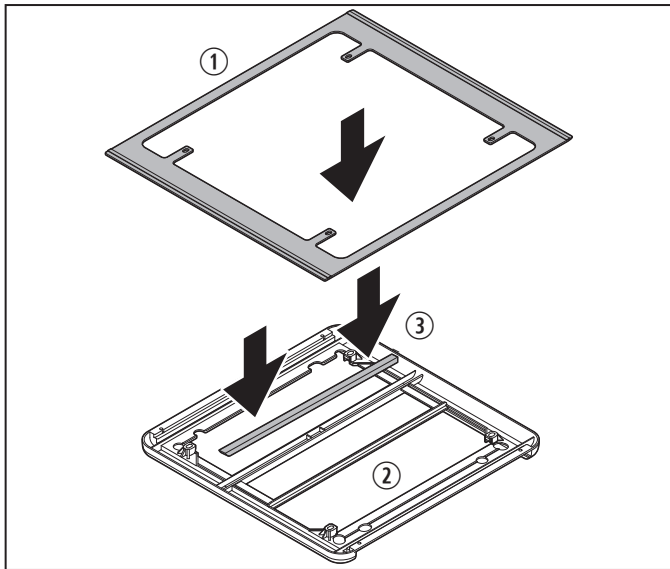
6 Installing the Return Air Cover and Conversion Template Kit



5 Filter Frame and Vent Cover Removal

- ① Filter Frame
- ② Vent Cover

1. Remove the Filter Frame (with Filter) from the Return Air Cover.
2. Remove the Vent Cover from the Return Air Cover.
3. Cut the Foam from the kit to 16.75 in. (425.45 mm) and place it onto the Foam Barrier on the Return Air Cover.
4. Place the Conversion Template above the Return Air Cover with the side of the double-sided tape facing the roof of the RV.
5. Align the Conversion Template and the Return Air Cover.
6. Peel off a small amount of the backing on the double-sided tape.

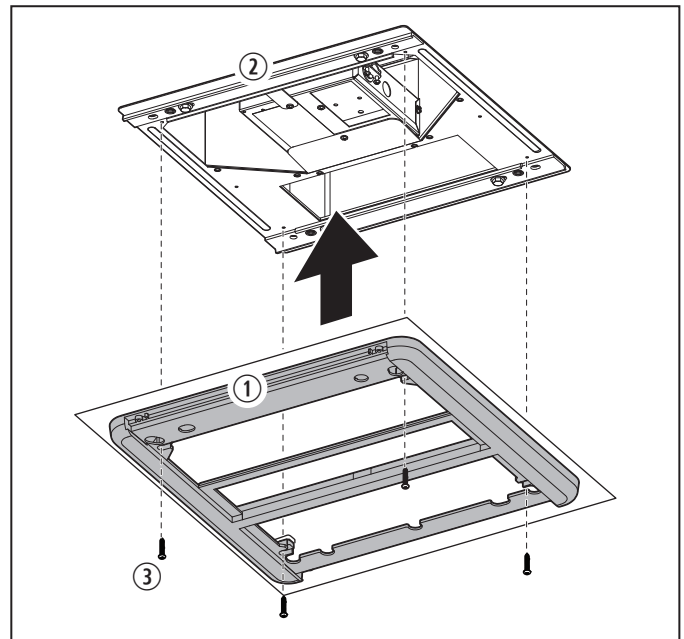


6 Attaching the Conversion Template and Foam

- ① Conversion Template ③ Foam
- ② Return Air Cover

i Before completing installation, check that the holes drilled during the initial installation are covered by the new Conversion Template.

7. Remove the rest of the backing on the double-sided tape.



7 Conversion Template and Return Air Cover Assembly Installation

- ① Return Air Cover with Conversion Template ③ #2 Square Drive Screws
- ② Ceiling Template

8. Secure the Conversion Template and the Return Air Cover Assembly to the Ceiling Template using the four provided #2 Square Drive Screws.
9. Slide the Vent Cover and the Framed Filter fully into the Return Air Cover Assembly.

7 Checking Unit Functionality

⚠ WARNING: FIRE AND/OR ELECTRICAL SHOCK HAZARD

Ensure all electrical connections are properly connected before restoring power to the unit. Failure to obey this warning could result in death or serious injury.

1. Ensure all electrical connections are properly connected.
2. Restore power to the unit and check to ensure proper functionality.