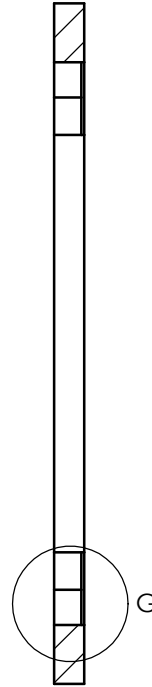
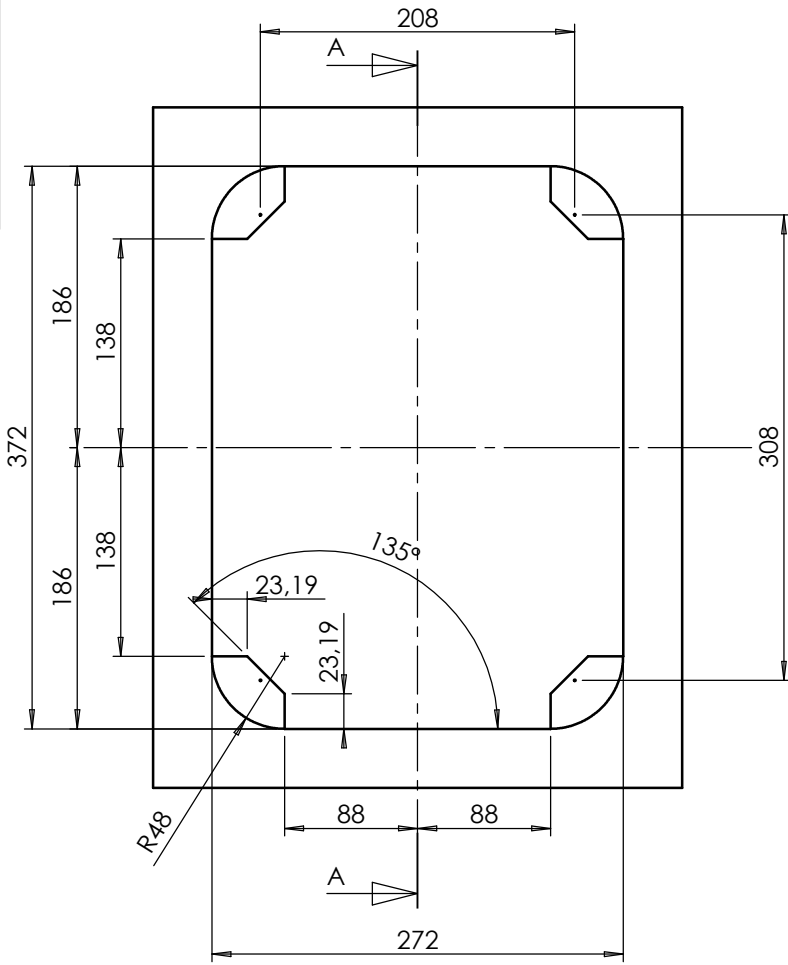
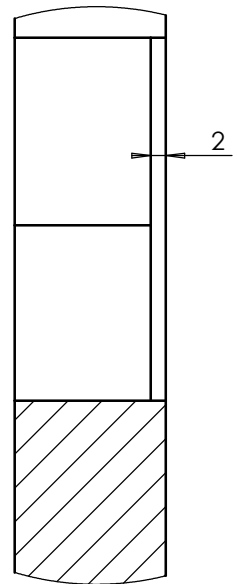


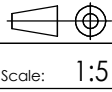

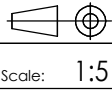
Free of Pb, Cr, Vi, Cd, Hg, PBB, PBDE according to the European Directive 2000/53/EC + 2002/95/EC



Section A-A



Detail G  
Scale 1 : 1

Dimensions without tolerance indication (UNI EN 22768-1:1996) Fine precision		Pos.	Title	N° pcs	Dwg N°	Part No.	Weight	Material	Finish / Standard			
Range	mm	Rev.Date	Rev.Title				Requested	Effective	Approved			
0 - 6	±0.05		Cut out VA093000FV00	 Scale: 1:5			Material:					
6 - 30	±0.1						Weight			Cycle No:		
30 - 120	±0.15		This drawing is COPYRIGHT and the property of SMEV Srl. It must not be copied (in whole or in part), used, or in any way disclosed without prior consent of SMEV Srl.   by Dometic GROUP	 Scale: 1:5			Notes:					
120 - 315	±0.2						Requested			Date: 14/03/14		
315 - 1000	±0.3						Effective			Drawing by: C. Toffanin		
1000-2000	±0.5						Approved			Approved by:		
2000-4000	-			Part No.:			Drawing Nr.: Z1140					
Angles	±1											
Radiuses	±1											