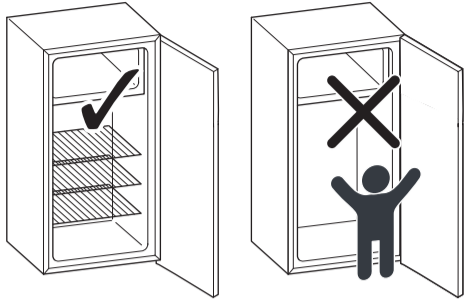


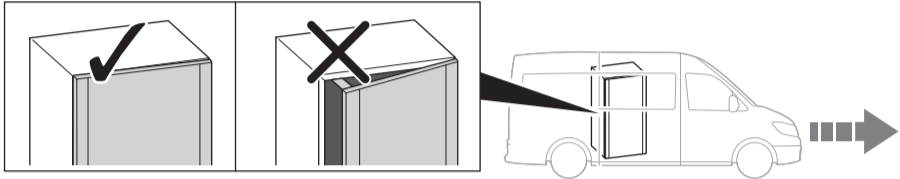
DOMETIC

RC10.4 (S.70)(S.90)(P.100)
 RCL10.4(E)(S)(T), RCS10.5(X)(S)(T)
 RCD10.5(X)(S)(T)

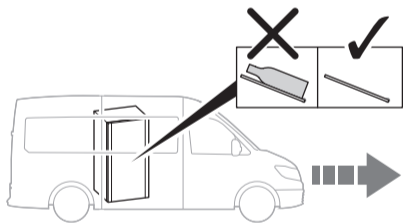
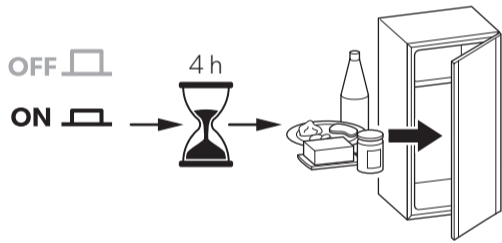
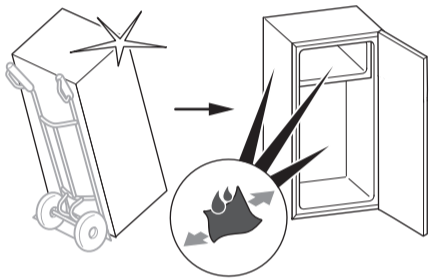
WARNING



CAUTION



NOTICE

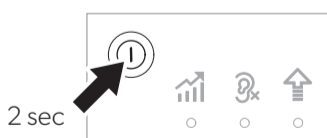


ON

1

RCS 10.5(X)(S)
 RCL 10.4(E)S / RCD 10.5(X)(S)
 RC 10.4S.70 / RC 10.4S.90 / RC 10.4P.100

RCS 10.5(X)(T)
 RCL 10.4(E)T / RCD 10.5(X)(T)
 RC 10.4T.70 / RC 10.4T.90

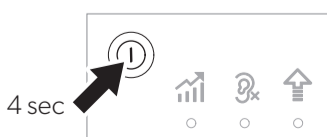


OFF

2

RCS 10.5(X)(S)
 RCL 10.4(E)S / RCD 10.5(X)(S)
 RC 10.4S.70 / RC 10.4S.90 / RC 10.4P.100

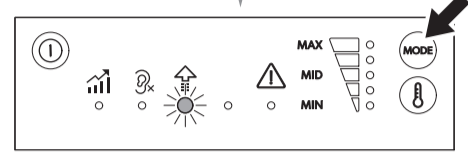
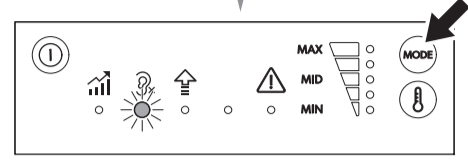
RCS 10.5(X)(T)
 RCL 10.4(E)T / RCD 10.5(X)(T)
 RC 10.4T.70 / RC 10.4T.90



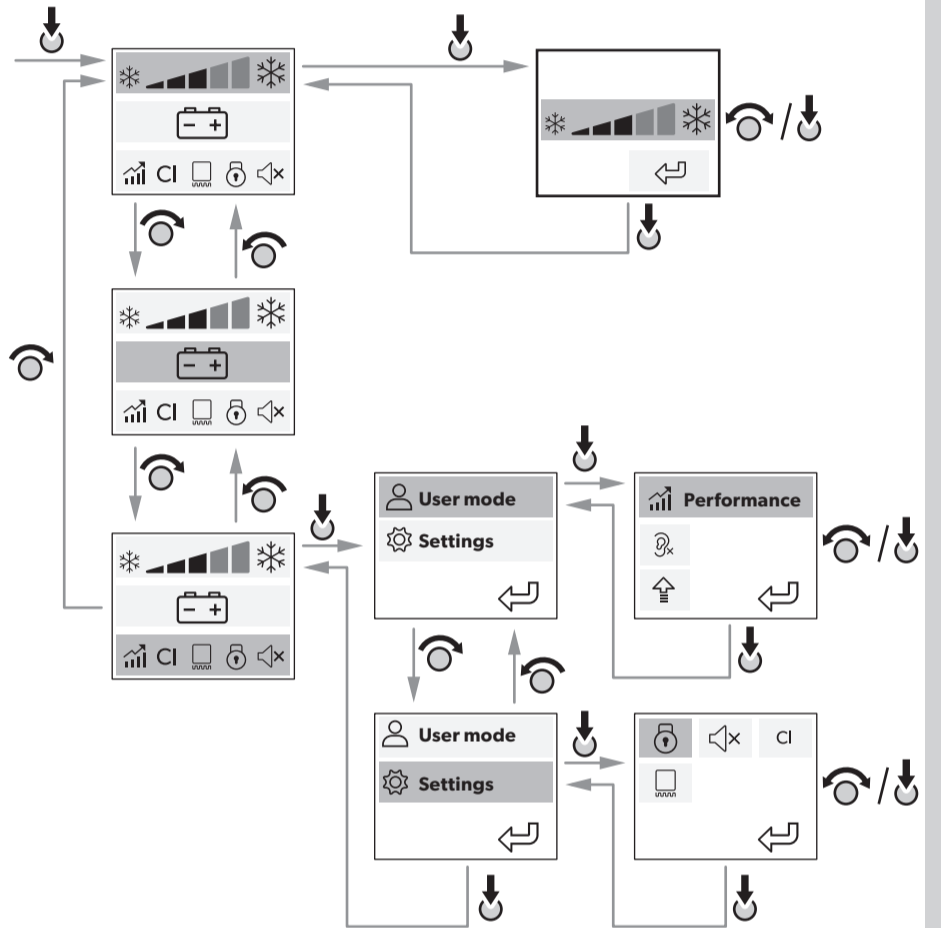
Operation

3

RCL 10.4(E)S / RCD 10.5(X)(S) / RCS 10.5(X)(S)
 RC 10.4S.70 / RC 10.4S.90 / RC 10.4P.100



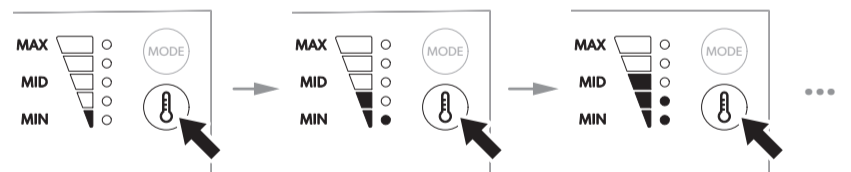
RCL 10.4(E)T / RCD 10.5(X)(T) / RCS 10.5(X)(T)
 RC 10.4T.70 / RC 10.4T.90



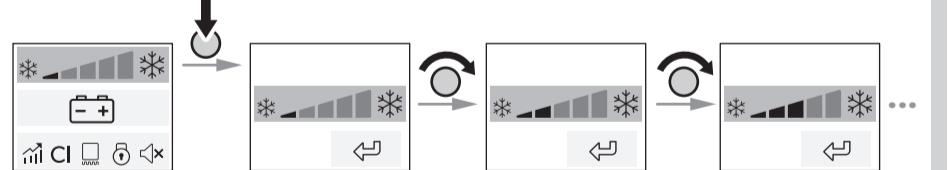
Cooling Capacity

4

RCL 10.4(E)S / RCD 10.5(X)(S) / RCS 10.5(X)(S)
 RC 10.4S.70 / RC 10.4S.90 / RC 10.4P.100

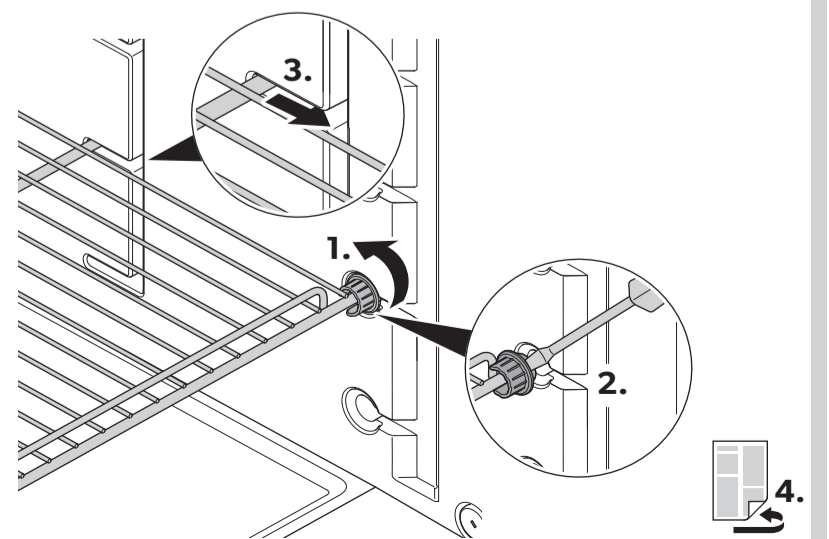


RCL 10.4(E)T / RCD 10.5(X)(T) / RCS 10.5(X)(T)
 RC 10.4T.70 / RC 10.4T.90

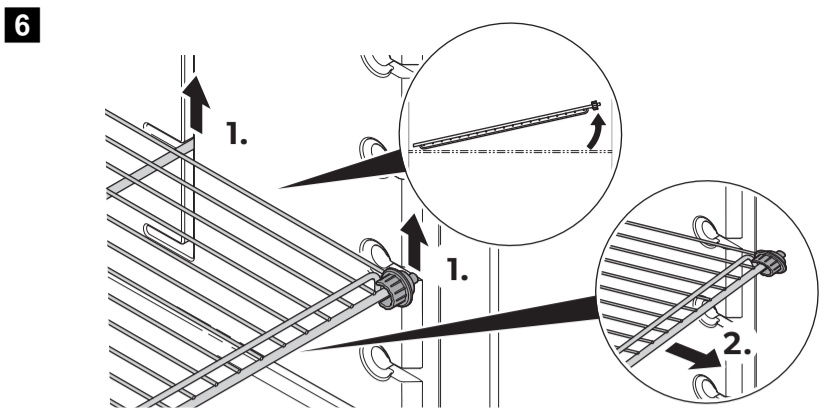


Shelves

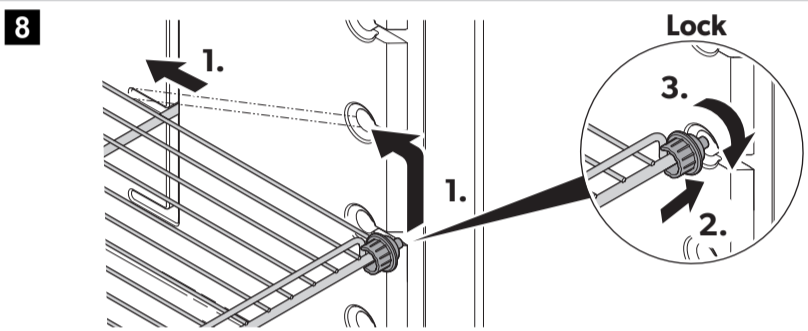
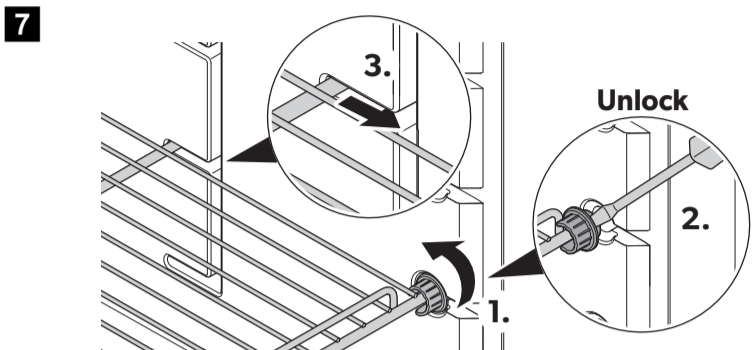
5



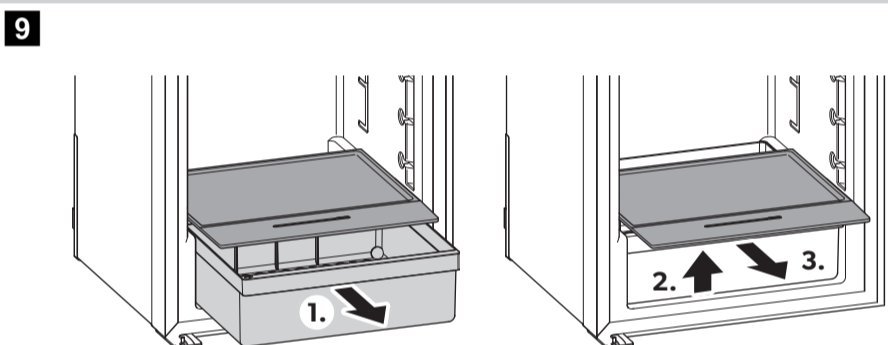
Shelves



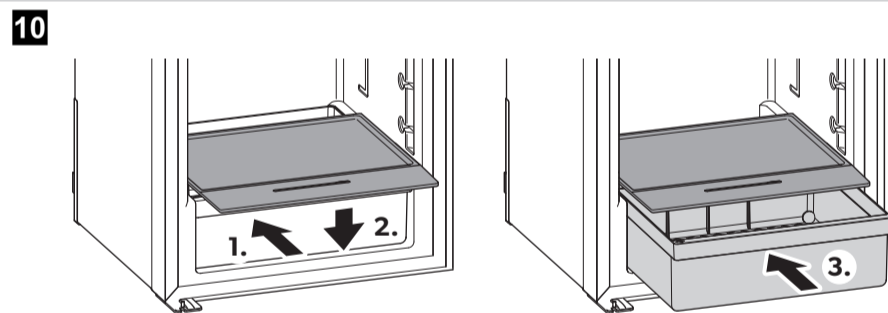
Shelf Angle



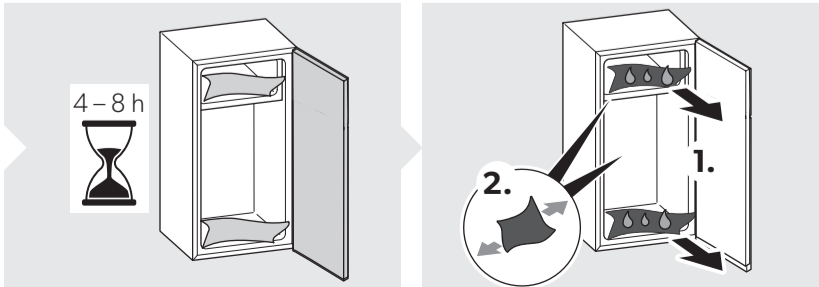
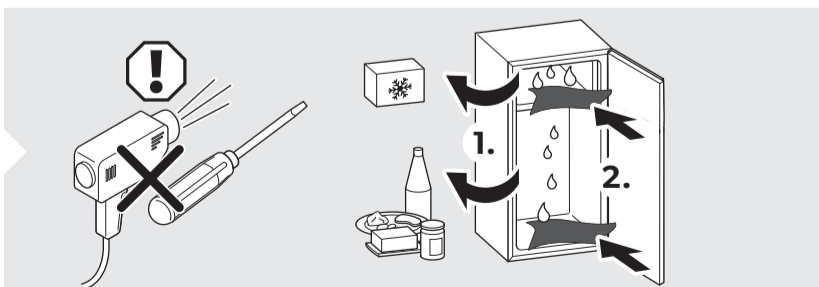
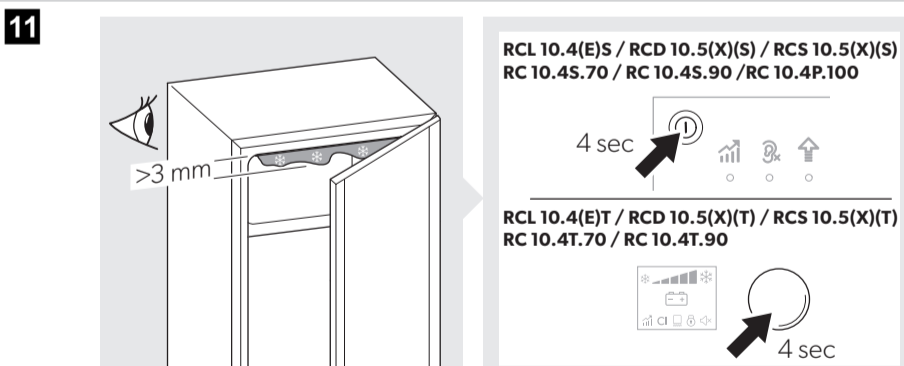
VG Fresh Base Out



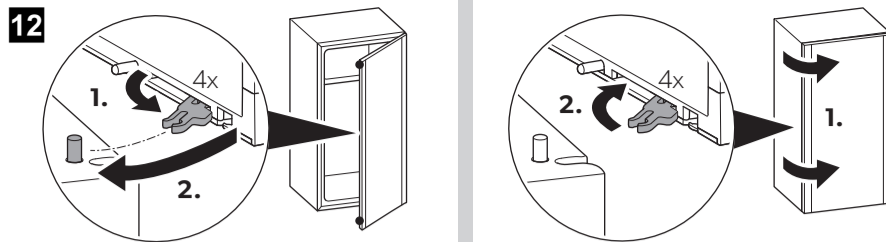
VG Fresh Base In



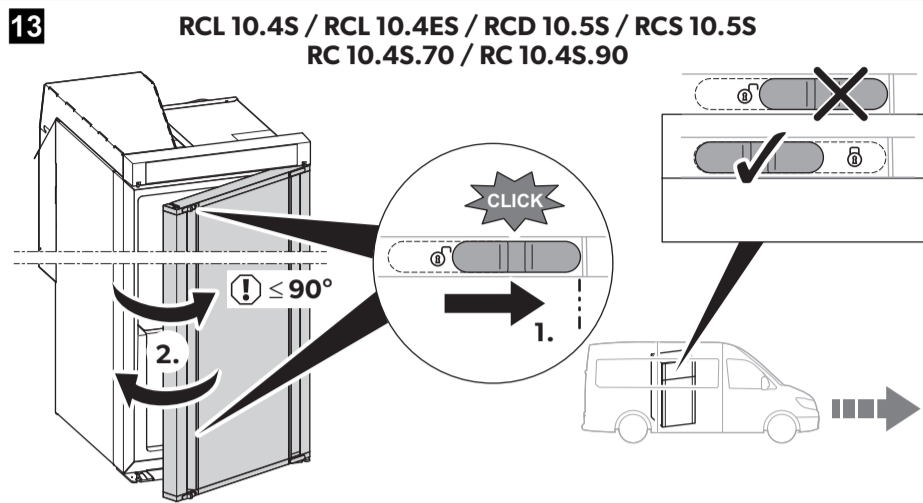
Defrost



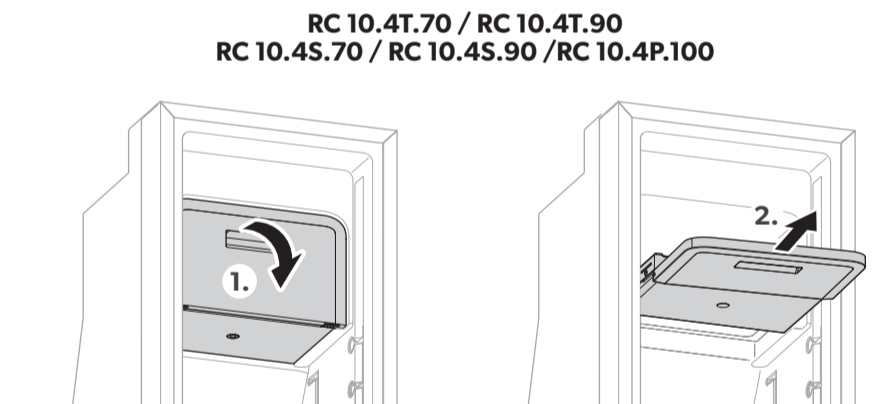
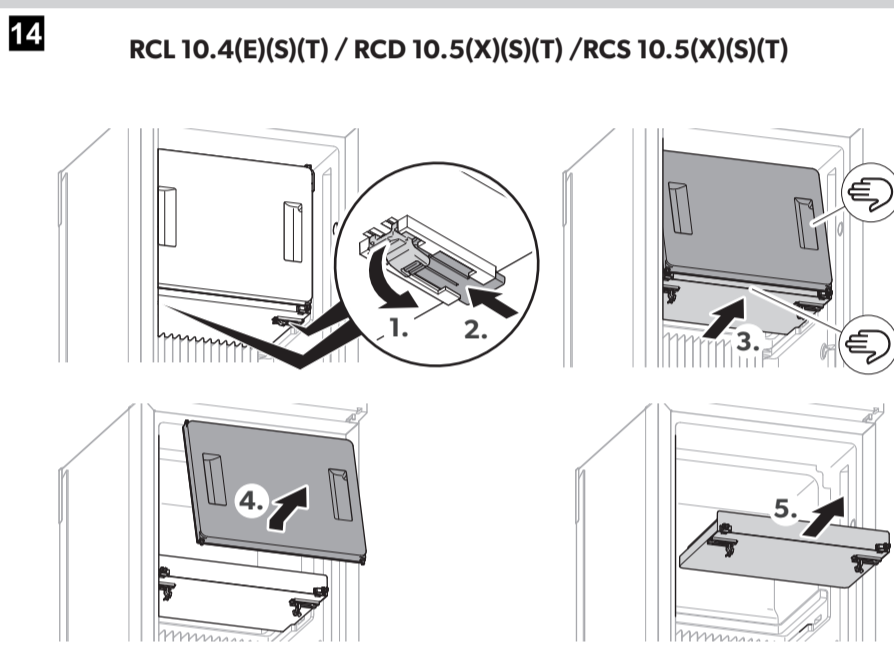
Winter



Releasing Door



Removing Freezer



NOTE

