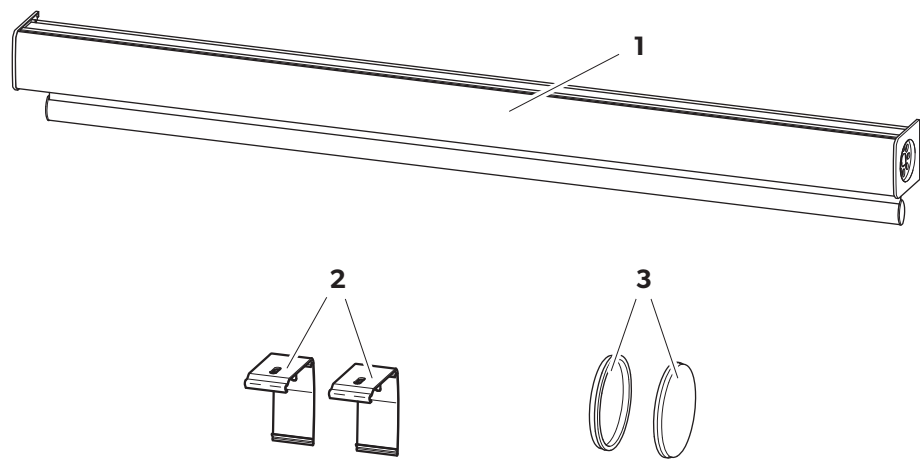
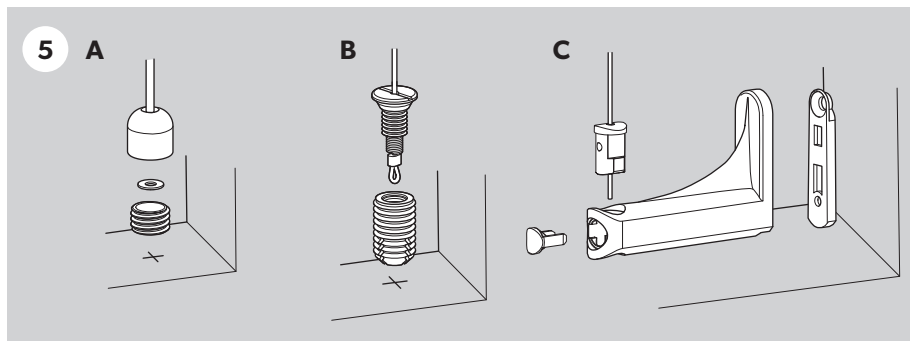
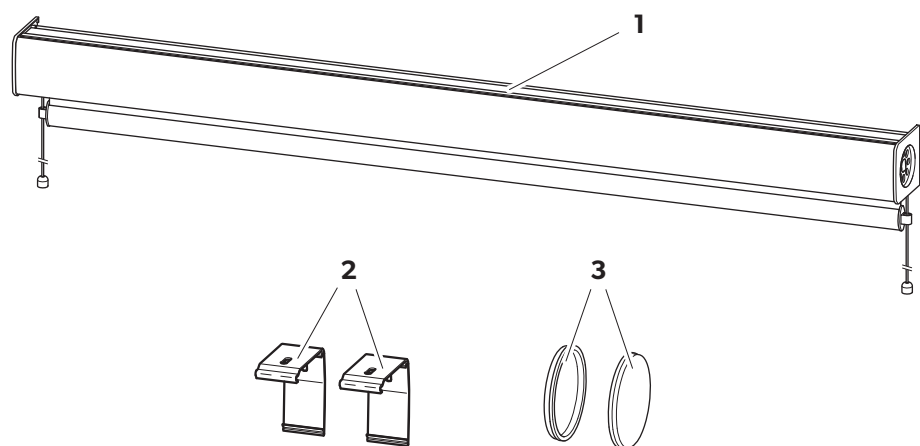


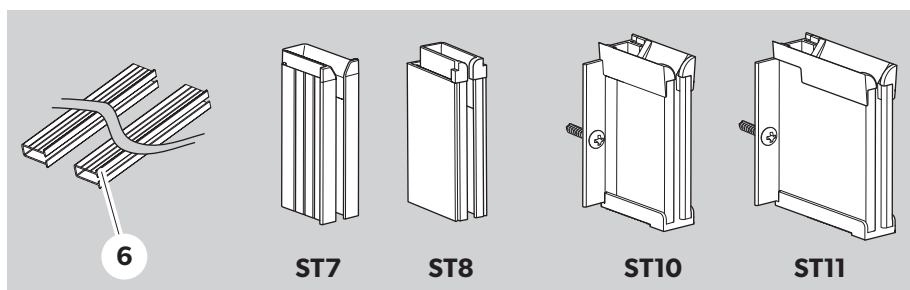
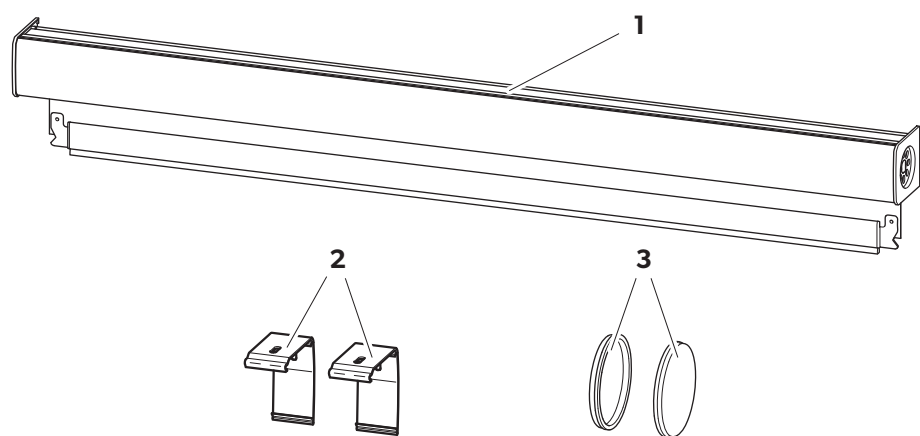
1 C1/C2/C3 FH



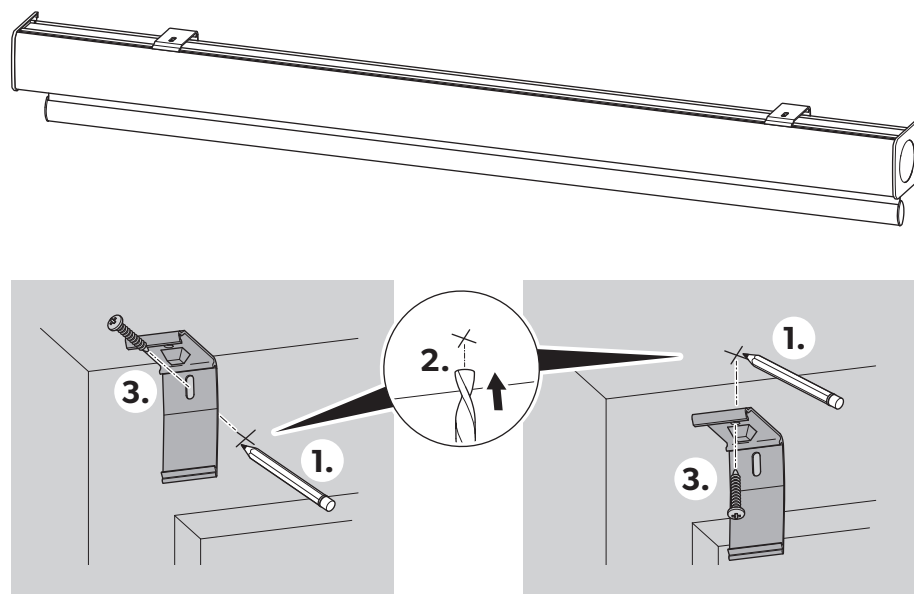
C1/C2/C3 GW



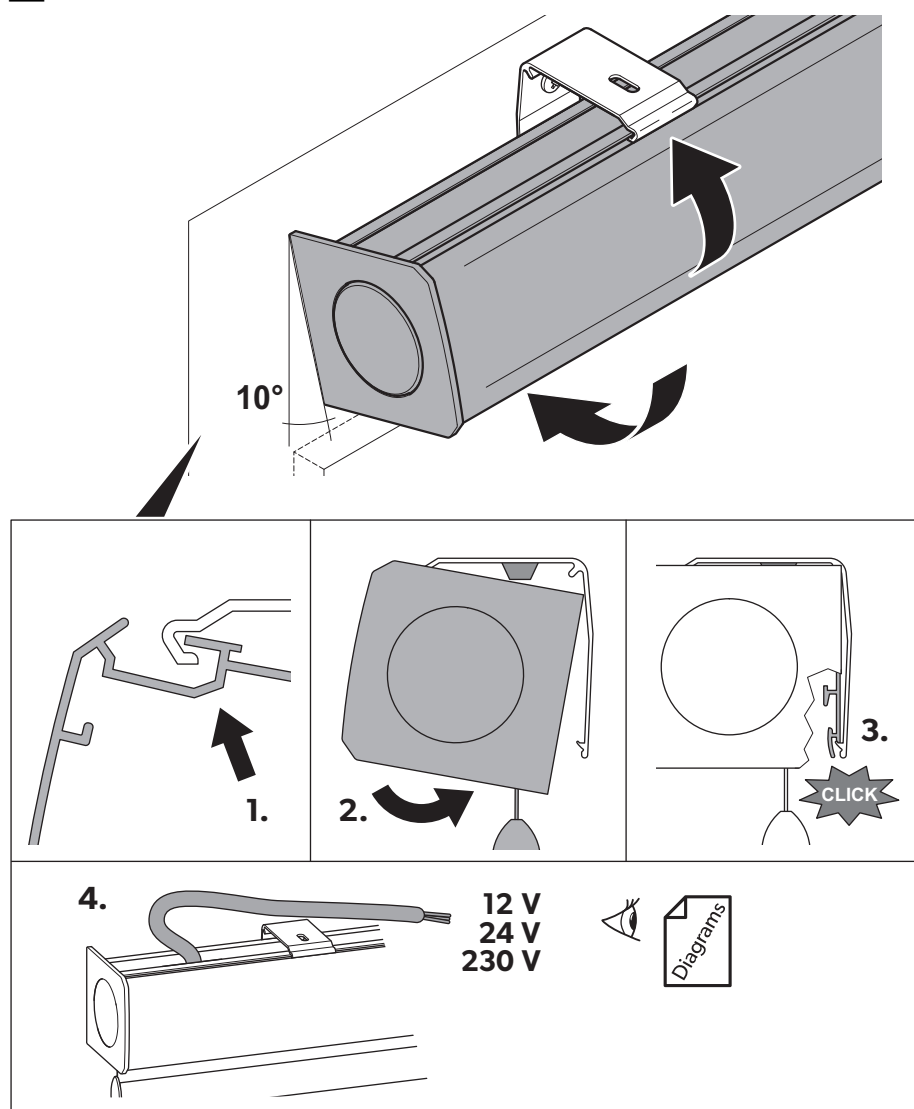
C1/C2/C3 ST



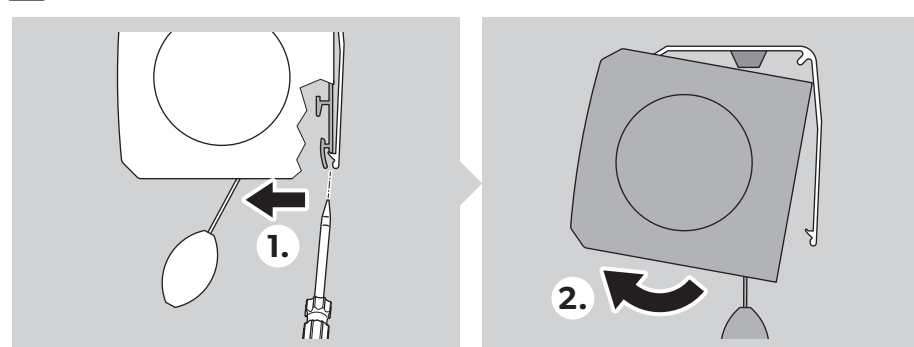
2 C1/C2/C3 FH/GW/ST



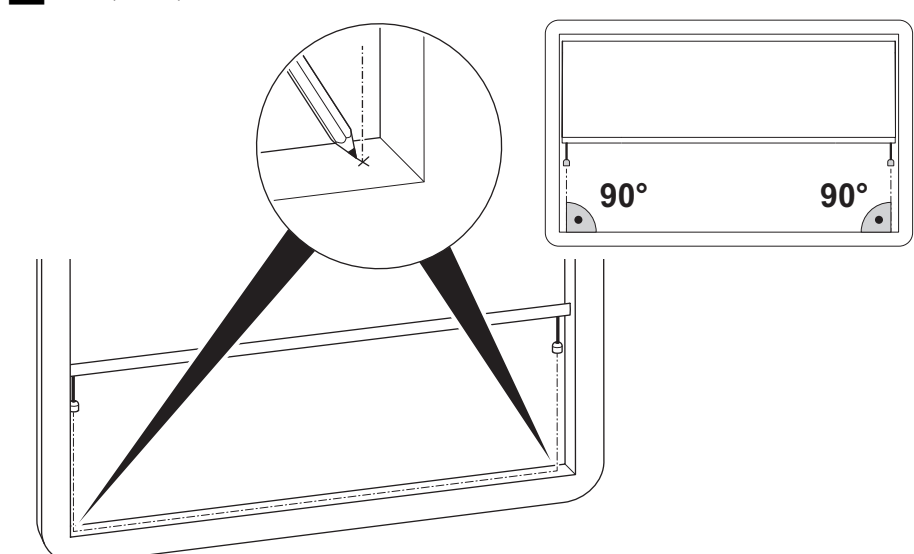
3 C1/C2/C3 FH/GW/ST

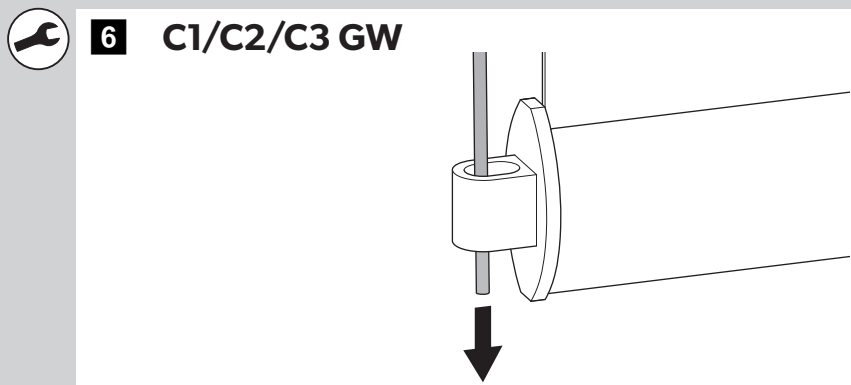


4 C1/C2/C3 FH/GW/ST

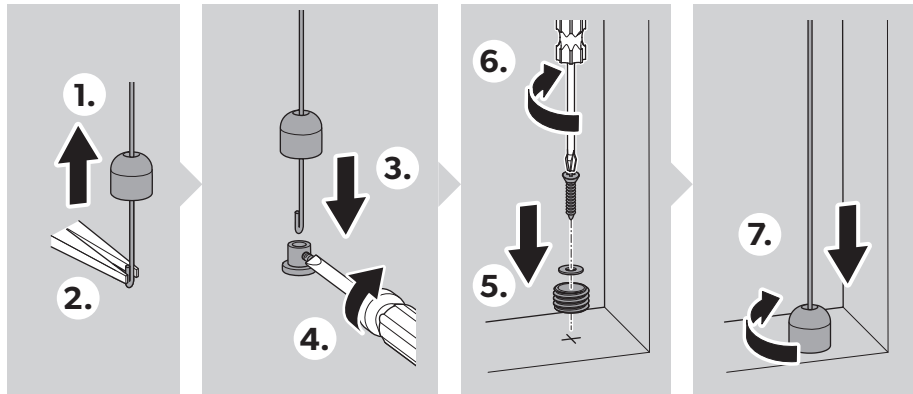


5 C1/C2/C3 GW

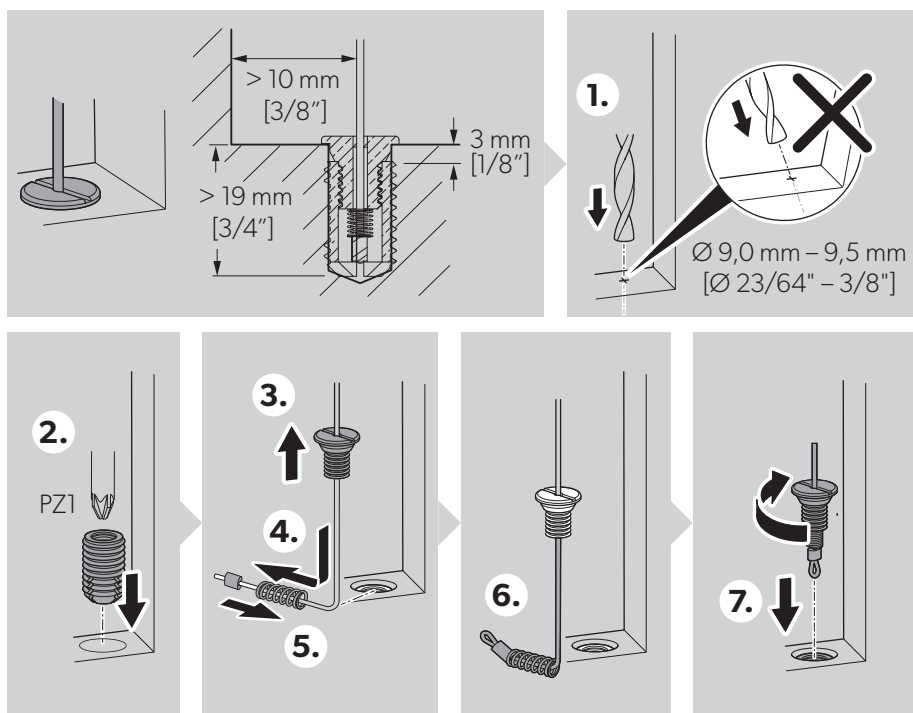




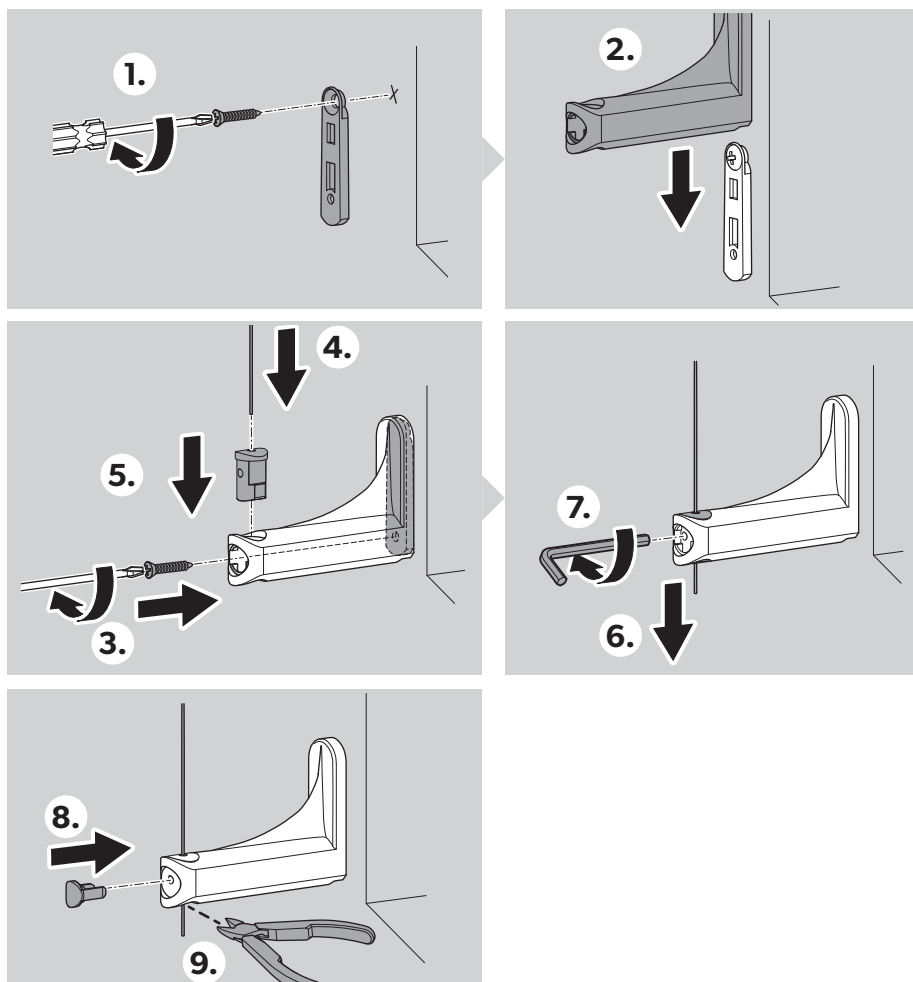
7 C1/C2/C3 GW A



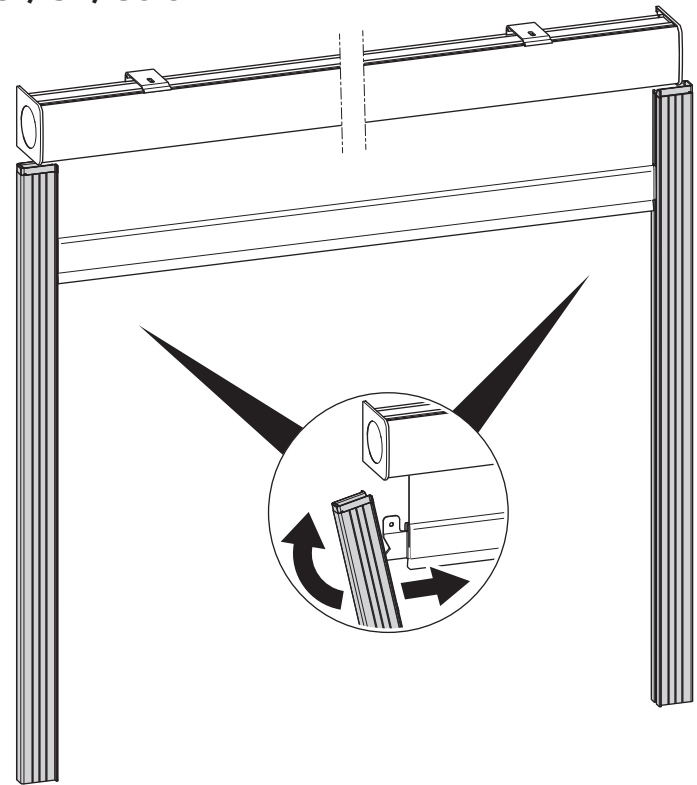
8 C1/C2/C3 GW B



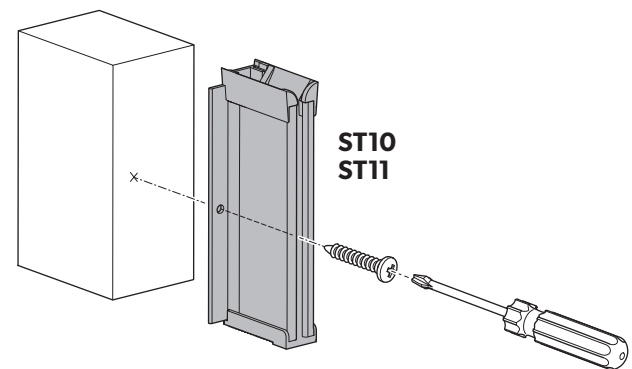
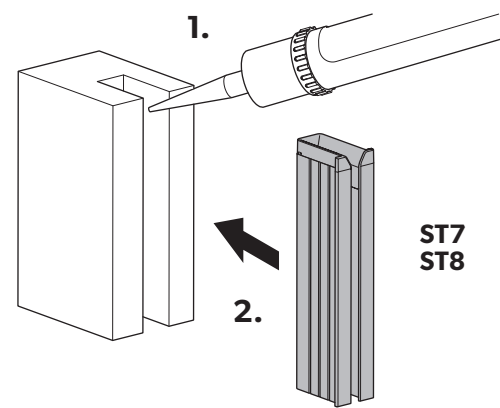
9 C1/C2/C3 GW C



10 C1/C2/C3 ST



11 C1/C2/C3 ST



12 C1/C2/C3

