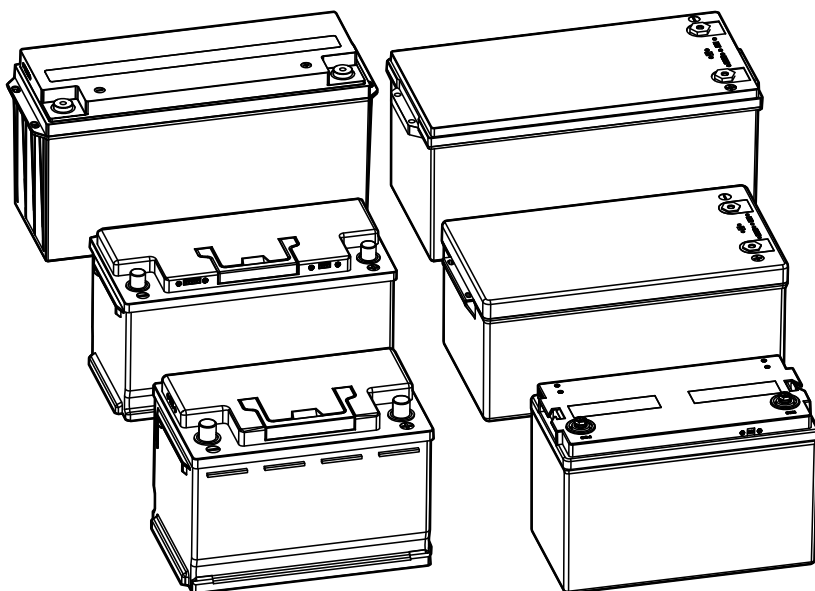


# BÜTTNER | ↗ DOMETIC

## POWER & CONTROL

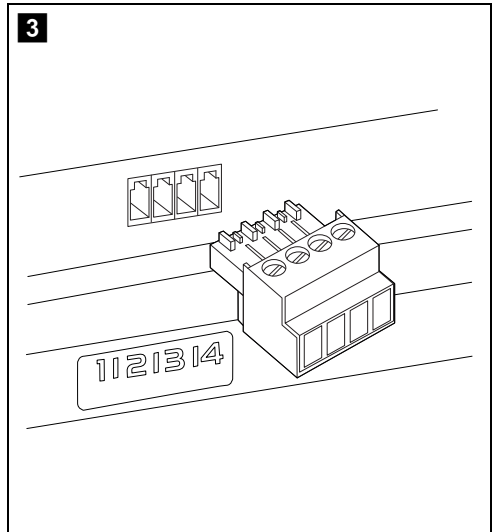
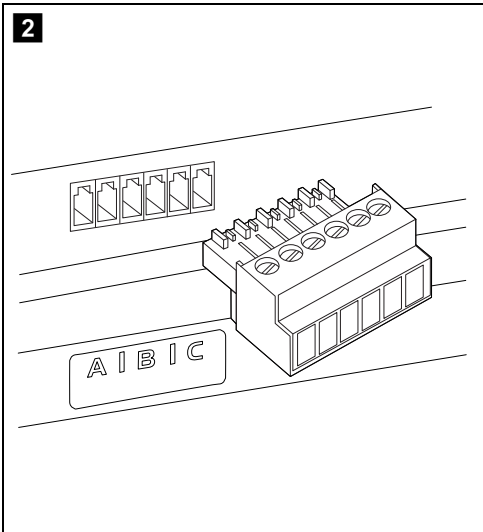
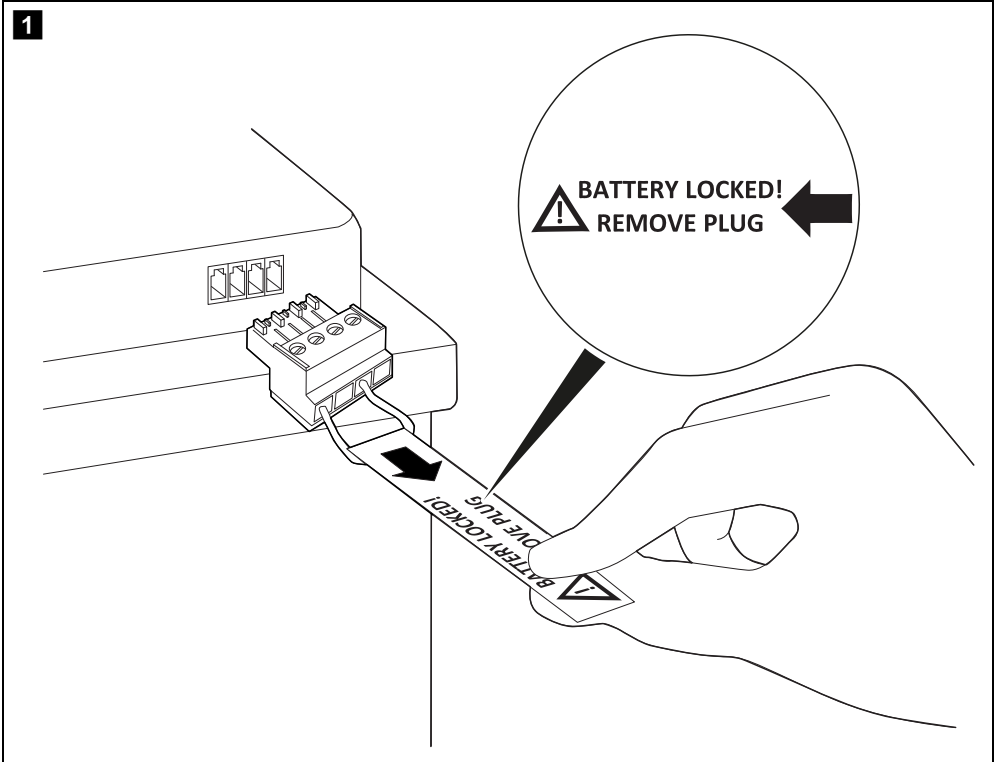
### MT LI



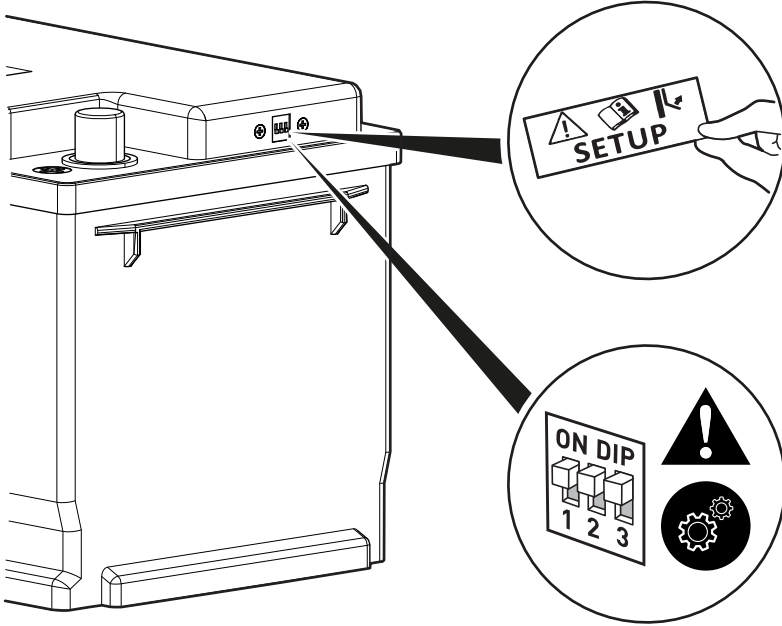
MT LI 0085, MT LI 0105, MT LI 0120, MT LI 0180, MT LI 0240, MT LI 0300

<b>EN</b>	<b>Lithium iron phosphate battery</b> Installation and Operating Manual . . . . . 5	<b>NL</b>	<b>Lithium-ijzerfosfaataccu</b> Montagehandleiding en gebruiksaanwijzing . . . . . 38
<b>DE</b>	<b>Lithium-Eisenphosphat-Batterie</b> Montage- und Bedienungsanleitung . . . . . 13	<b>DA</b>	<b>Litium-jern-fosfat-batteri</b> Monterings- og betjeningsvejledning . . . . . 46
<b>FR</b>	<b>Batterie au lithium-fer-phosphate</b> Instructions de montage et de service . . . . . 21	<b>SV</b>	<b>Litiumjärnfosfatbatteri</b> Monterings- och bruksanvisning . . . . . 54
<b>IT</b>	<b>Batteria al litio-ferro-fosfato</b> Istruzioni di montaggio e d'uso . . . . . 30	<b>NO</b>	<b>Litiumjernfosfatbatteri</b> Monterings- og bruksanvisning . . . . . 62

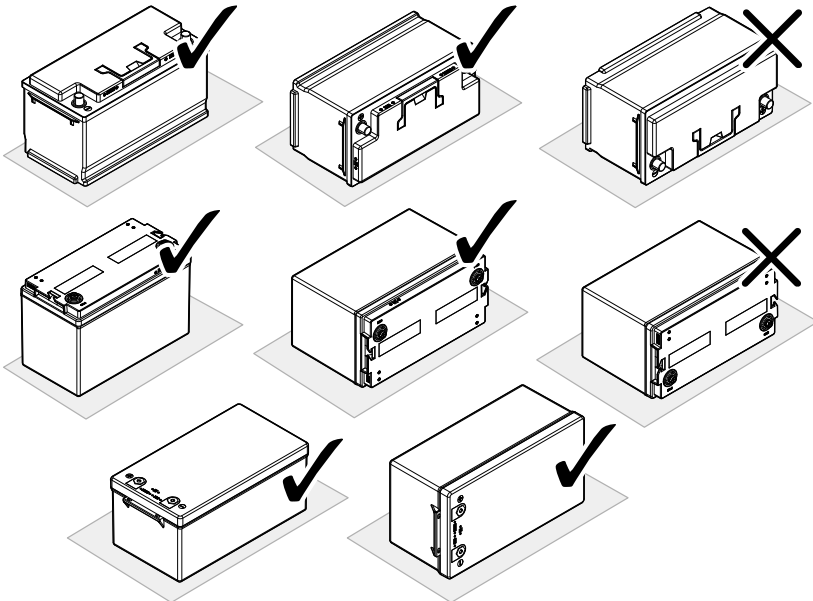
© 2022 Dometic Group. The visual appearance of the contents of this manual is protected by copyright and design law. The underlying technical design and the products contained herein may be protected by design, patent or be patent pending. The trademarks mentioned in this manual belong to Dometic Sweden AB. All rights are reserved.



4



5



Please read these instructions carefully and follow all instructions, guidelines, and warnings included in this product manual in order to ensure that you install, use, and maintain the product properly at all times. These instructions **MUST** stay with this product.

By using the product, you hereby confirm that you have read all instructions, guidelines, and warnings carefully and that you understand and agree to abide by the terms and conditions as set forth herein. You agree to use this product only for the intended purpose and application and in accordance with the instructions, guidelines, and warnings as set forth in this product manual as well as in accordance with all applicable laws and regulations. A failure to read and follow the instructions and warnings set forth herein may result in an injury to yourself and others, damage to your product or damage to other property in the vicinity. This product manual, including the instructions, guidelines, and warnings, and related documentation, may be subject to changes and updates. For up-to-date product information, please visit [documents.dometic.com](http://documents.dometic.com).

## Contents

Explanation of symbols . . . . .	5
Safety instructions . . . . .	5
Scope of delivery . . . . .	6
Accessories . . . . .	6
Target group . . . . .	6
Intended use . . . . .	6
Technical description . . . . .	6
Installing the lithium battery . . . . .	7
Setting up the battery . . . . .	8
Charging the lithium battery . . . . .	8
Cleaning and maintenance . . . . .	9
Troubleshooting . . . . .	9
Warranty . . . . .	10
Disposal . . . . .	10
Technical data . . . . .	10

## Explanation of symbols



### **WARNING!**

**Safety instruction:** Indicates a hazardous situation that, if not avoided, could result in death or serious injury.



### **CAUTION!**

**Safety instruction:** Indicates a hazardous situation that, if not avoided, could result in minor or moderate injury.



### **NOTICE!**

Indicates a situation that, if not avoided, can result in property damage.



### **NOTE**

Supplementary information for operating the product.

## Safety instructions



**WARNING! Failure to obey these warnings could result in death or serious injury.**

### **Electrocution hazard**

- Installation, assembly, and wiring as well as all other work may only be performed by qualified electrical specialists. Inadequate repairs may cause serious hazards.

### **Fire hazard**

- Installation in potentially explosive areas such as rooms with inflammable liquids or gases is not permitted.
- Do not install or keep the device near flames or other heat sources (heating, direct sunlight, gas ovens etc.).

### **Health hazard**

- Always install and keep the device well out of the reach of children.



**NOTICE! Indicates a situation that, if not avoided, can result in property damage.**

- Check that the voltage specification on the type plate corresponds to that of the energy supply.
- Never immerse the device in water.
- Protect the device and cables against heat and moisture.
- Do not expose the device to rain.

### **Safety precautions when handling lithium batteries**



**CAUTION! Failure to obey these cautions could result in minor or moderate injury.**

### **Risk of injury**

- Only use batteries with integrated battery management system and cell balancing.



## NOTICE! Damage hazard

- Only install the battery in environments with an ambient temperature of at least 0 °C.

## Scope of delivery

Quantity	Description
1	MT Li lithium battery
2	Battery terminal adapter (Only batteries with M8 hexagonal headed terminals)
2	Battery terminal cover
1	6-pin connector
1	4-pin connector
1	Installation and operating manual

## Accessories

Description	SKU
MT iQ BasicPro battery computer	9620000287 (MT71260)
MT 5000iQ battery computer with 100 A, 200 A or 400 A shunt	9620000129 (MT01262), 9620000218 (MT01265), 9620000303 (MT01268)
Round pole adaptors	9620000338 (MT12102)

## Target group



The electrical installation and setup of the device must be performed by a qualified electrician who has demonstrated skill and knowledge related to the construction and operation of electrical equipment and installations, and who is familiar with the applicable regulations of the country in which the equipment is to be installed and/or used, and has received safety training to identify and avoid the hazards involved.

All other actions are intended also for non-professional users.

## Intended use

The device is intended to be used as a storage of electrical power for motorhomes, RVs, camping and marine applications.

This product is only suitable for the intended purpose and application in accordance with these instructions.

This manual provides information that is necessary for proper installation and/or operation of the product. Poor installation and/or improper operation or maintenance will result in unsatisfactory performance and a possible failure.

The manufacturer accepts no liability for any injury or damage to the product resulting from:

- Incorrect assembly or connection, including excess voltage
- Incorrect maintenance or use of spare parts other than original spare parts provided by the manufacturer
- Alterations to the product without express permission from the manufacturer
- Use for purposes other than those described in this manual

Dometic reserves the right to change product appearance and product specifications.

## Technical description

The MT lithium batteries are composed of 4 serial blocks with parallel switched LiFePO4 tubular cells.

The MT lithium batteries are equipped with a battery management system which is built in the battery housing.

The battery management system is a non-power consuming, passive electronic device, that protects the battery against deep discharging, overcharging, over-temperature and ensures cell-balancing of all serial switched blocks during charging.

In safety protection mode, the battery switches off temporarily, as long as the interference persists and switches back on automatically at normal conditions, respectively when recharging.

## Installing the lithium battery



### NOTICE! Damage hazard

- The installation may only be carried out by a qualified electrician.
- It must be ensured that no water can enter the lithium battery and that the battery is not soiled.
- A mechanically damaged lithium battery must not be used.
- The battery terminals must not come into contact with electro-conductive objects.
- Never connect the connection cables with reversed polarity. Observe the marking (+) for positive and (-) for negative.
- All cables from, or to battery must be protected by installing a fuse that is approved for the connected cable cross-section.
- The battery pole connection must be securely tightened and the connection must be made according to the current rating.



### NOTICE! Damage hazard

- Lithium batteries of different brands, capacity, size or type must not be connected with each other.
- Batteries with corroded terminals must never be used.
- The lithium batteries must be installed in heated environment.

➤ Remove the transportation lock before installing the battery (fig. **1**, page 3).

➤ The preferred installation position of the battery is standing, but can also lay down if the terminals are facing up (fig. **5**, page 4).

➤ The lithium battery must be secured against slipping and tipping over. To do this, secure the battery with the aids provided in the vehicle.

➤ Always connect the positive cable first, then the negative cable.

• Maximum 4 lithium batteries can be connected in parallel (12 V).

• Maximum 2 lithium batteries can be connected in series (24 V).



### NOTICE! Damage hazard

Before connecting batteries together, all batteries need to be fully charged separately. The connection of batteries together in parallel or serial is only allowed if the voltage difference between batteries is less than 50 mV.

The lithium batteries are equipped with two additional connectors one to use internal temperature sensors and another connector for dedicated charge controller options.

#### 6-pin connector fig. **2**, page 3

#### Description

Terminals <b>A</b>	Temperature sensor for MT CAC, BCB, LB or solar controller
Terminals <b>B</b>	Temperature sensor for MT CAC, BCB, LB or solar controller
Terminals <b>C</b>	Temperature sensor for MT ICC or solar controller

• Only one MT device may be connected to each internal sensor.

• If the batteries are connected in parallel, only one temperature sensor from one battery terminal **A** is to be used.

• If the battery charger is from another manufacturer, leave these connectors empty.

#### 4-pin connector fig. **3**, page 3

#### Description

Terminal 1	Input signal for battery switching status.
Terminal 2	Reserved for service purpose.

4-pin connector fig. 3, page 3	Description
Terminal 3	Output for small consumers, can be loaded with maximum 150 mA
Terminal 4	Voltage sensor



### NOTICE!

On delivery the battery is locked with a transportation lock (fig. 1, page 3) and can not be charged with Pin 1 and Pin 3 short-circuited on the 4-pin connector and all DIP-switches Off (factory default).

## Setting up the battery

The DIP-switches are located behind the **battery setup** sticker (fig. 4, page 4).



### NOTE

The factory default settings for the DIP-switches:

- For single battery: all switches are **off**.
- For part of the power unit kit: all switches are **on**.

## Signal input mode

DIP 1	DIP 2	Description
OFF	OFF	Interrupts charging and discharging if positive 12 V signal is supplied to terminal 1 of 4 pin connector. No signal on terminal 1 for full function on battery.
ON	OFF	Interrupts charging and discharging if no signal is supplied to terminal 1 of 4 pin connector. 12 V signal on terminal 1 for full function on battery.

DIP 1	DIP 2	Description
OFF	ON	Interrupts charging if 12 V signal is supplied to terminal 1 of 4 pin connector, discharge still possible. No signal on terminal 1 for full function on battery.
ON	ON	Interrupts charging if no signal is supplied to terminal 1 of 4 pin connector, discharge still possible. 12 V signal on terminal 1 for full function on battery.

## Charging protection

DIP 3	Description
OFF	A battery charger from other manufacturer is in use.
ON	A Büttner/Dometic battery charger is in use and the 4-pin and 6-pin connectors are connected.

## Charging the lithium battery

The lithium battery charging may only be carried out using an IUoU charger with temperature controlled charge current reduction. The absorption charge voltage is 14,4 V, float voltage is 13,6 V and only 12,8 V below -20 °C and above 50 °C. Between 0 °C and -20 °C the charging current of only 0,05 C needs to be applied.

### Recommended chargers from the manufacturer

For stationary operation:

- MT PL 1225 - MT PL 1250
- MT 1215 - MT 1260
- All PP and MPP solar chargers with lithium battery characteristic

For mobile use with temperature monitored chargers from alternator:

- Charge Booster LB 30-LB 90 with lithium battery characteristic



- Battery Control Booster BCB 25/20 until BCB 60/40 with lithium battery characteristic
- Inverter charger combination:
- ICC 1600 SI-N/60 A and ICC 3000 SI-N/120 A



**NOTICE! Damage hazard**

The lithium battery charging may only be carried out using charger with lithium battery charging characteristic.



**NOTE**

It's strongly recommended to use a battery monitor together with the LiFePO4 battery.

## Cleaning and maintenance

The lithium batteries are maintenance-free.

- Occasionally clean the product with a damp cloth.

## Troubleshooting

Fault	Possible cause	Solution
No output voltage at battery terminal	Battery is locked.	Remove the transportation lock (fig. <b>1</b> , page 3).
	Wrong DIP-switch settings.	Set the correct DIP-switch order. (chapter "" on page 7)
	Wrong wiring polarity.	Connect the battery properly.
	Low battery voltage.	Charge the battery for minimum 24h.
	Battery overheated.	Wait 30 minutes to cool down the battery and reset itself.
	Battery circuit shorted or overloaded.	Plug the transportation lock in, wait 10 seconds and remove the transportation plug.  Disconnect all the cables from the battery, wait 10 seconds and reconnect the cables.  Charge the battery to reset.
Battery recharge is not possible.	Wrong DIP-switch settings.	Set the correct DIP-switch order. (chapter "" on page 7)
	Temperature sensor connector is unplugged.	Connect the temperature sensor connector properly.
	Battery temperature below 0 °C	Warm up the battery.
	Battery overheated.	Wait 30 minutes to cool down the battery and reset itself.
Battery capacity seems reduced.	Long storage	Charge the battery for minimum 24h.

Fault	Possible cause	Solution
No output voltage at the auxiliary output.	The battery voltage is below 10 V.	Charge the battery for minimum 24h.
	Output is overloaded. (max. 150 mA)	Disconnect the cables from the auxiliary output and reduce the load. Wait a few minutes to cool down the battery and reconnect the cables.

## Warranty

The statutory warranty period applies. If the product is defective, please contact your retailer or the manufacturer's branch in your country (see [dometic.com/dealer](http://dometic.com/dealer)).

For repair and warranty processing, please include the following documents when you send in the product:

- A copy of the receipt with purchasing date
- A reason for the claim or description of the fault

Note that self-repair or nonprofessional repair can have safety consequences and might void the warranty.


## Disposal




- Place the packaging material in the appropriate recycling waste bins wherever possible.
- Consult a local recycling center or specialist dealer for details about how to dispose of the product in accordance with the applicable disposal regulations.
- Do not dispose of any batteries with general household waste. Return defective or used batteries to your retailer or dispose of them at collection points.

## Technical data

	MT LI 0085	MT LI 0105	MT LI 0120
Battery type	Lithium iron phosphate/LiFePO4 with integrated BMS		
Operating voltage	12,8 V $\overline{---}$		
Capacity	85 Ah (C1 @ 20 °C)	105 Ah (C1 @ 20 °C)	120 Ah (C1 @ 20 °C)
Continuous discharge current	100 A (200 A < 5 sec.)	160 A (300 A < 5 sec.)	200 A (400 A < 5 sec.)
Charging current recommended/max.	20 A/50 A	25 A/80 A	30 A/100 A
Charging current (reduced)	0,05 C		
Charging characteristics	IUoU for LiFePO4 batteries		
End of charge voltage	14,4 V (0,3-1 h)		
Open circuit voltage	13,4 V $\overline{---}$		
Deep discharge protection	$\leq 10,5$ V $\overline{---}$		
Discharge temperature range	-20 °C to 60 °C		
Recommended charging temperature range	0 °C to 45 °C		
Charging current - $I_{\max}$			
Reduced charging current temperature range	$U_{\text{cons}}=12,8$ V below -20 °C and above 50 °C		

	<b>MT LI 0085</b>	<b>MT LI 0105</b>	<b>MT LI 0120</b>
Environment condition, humidity	10% to 90% RH		
Charge temperature range with reduced charging current	2000 charge/discharge cycles at 100% DOD 3000 charge/discharge cycles at 50% DOD 7000 charge/discharge cycles at 30% DOD		
Dimensions (W × H × D) (mm)	278 × 175 × 190	353 × 175 × 190	330 × 172 × 212
Battery terminal type	Round pole	Round pole	M8 hexagonal headed bolt (tightening torque 7-8 Nm)
Weight	10,2 kg	12,7 kg	14,8 kg
Inspection/certification:	UN 38.3 		

	<b>MT LI 0180</b>	<b>MT LI 0240</b>	<b>MT LI 0300</b>
Battery type	Lithium iron phosphate/LiFePO4 with integrated BMS		
Operating voltage	12,8 V <sub>===</sub>		
Capacity	180 Ah (C1 @ 20 °C)	240 Ah (C1 @ 20 °C)	300 Ah (C1 @ 20 °C)
Continuous discharge current	200 A (400 A < 5 sec.)	250 A (550 A < 5 sec.)	300 A (660 A < 5 sec.)
Charging current recommended/max.	50 A /150 A	60 A /200 A	75 A /250 A
Charging current (reduced)	0,05 C		
Charging characteristics	IUoU for lithium batteries		
End of charge voltage	14,4 V (0,3-1 h)		
Open circuit voltage	13,4 V <sub>===</sub>		
Deep discharge protection	≤ 10,5 V <sub>===</sub>		
Discharge temperature range	-20 °C to 60 °C		
Recommended charging temperature range	0 °C to 45 °C		
Charging current - I <sub>max</sub>			
Reduced charging current temperature range	-20 °C to 0 °C Underneath U <sub>cons</sub> = 12,8 V <sub>===</sub>		
Environment condition, humidity	10% to 90% RH		
Charge temperature range with reduced charging current	2000 charge/discharge cycles at 100% DOD 3000 charge/discharge cycles at 50% DOD 7000 charge/discharge cycles at 30% DOD		
Dimensions (W × H × D) (mm)	330 × 172 × 212	520 × 220 × 240	520 × 220 × 270

	<b>MT LI 0180</b>	<b>MT LI 0240</b>	<b>MT LI 0300</b>
Battery terminal type	M8 hexagonal headed bolt (tightening torque 7-8 Nm)	M8 hexagonal headed bolt (tightening torque 7-8 Nm)	M8 hexagonal headed bolt (tightening torque 7-8 Nm)
Weight	14,8 kg	30,5 kg	38,6 kg
Certification	UN 38.3 		

Lesen und befolgen Sie bitte alle Anweisungen, Richtlinien und Warnhinweise in diesem Produkthandbuch sorgfältig, um sicherzustellen, dass Sie das Produkt ordnungsgemäß installieren und stets ordnungsgemäß betreiben und warten. Diese Anleitung MUSS bei dem Produkt verbleiben.

Durch die Verwendung des Produktes bestätigen Sie hiermit, dass Sie alle Anweisungen, Richtlinien und Warnhinweise sorgfältig gelesen haben und dass Sie die hierin dargelegten Bestimmungen verstanden haben und ihnen zustimmen. Sie erklären sich damit einverstanden, dieses Produkt nur für den angegebenen Verwendungszweck und gemäß den Anweisungen, Richtlinien und Warnhinweisen dieses Produkthandbuchs sowie gemäß allen geltenden Gesetzen und Vorschriften zu verwenden. Eine Nichtbeachtung der hierin enthaltenen Anweisungen und Warnhinweise kann zu einer Verletzung Ihrer selbst und anderer Personen, zu Schäden an Ihrem Produkt oder zu Schäden an anderem Eigentum in der Umgebung führen. Dieses Produkthandbuch, einschließlich der Anweisungen, Richtlinien und Warnhinweise, sowie die zugehörige Dokumentation können Änderungen und Aktualisierungen unterliegen. Aktuelle Produktinformationen finden Sie unter [documents.dometic.com](http://documents.dometic.com).

## Inhalt

Erläuterung der Symbole . . . . .	13
Sicherheitshinweise . . . . .	13
Lieferumfang . . . . .	14
Zubehör . . . . .	14
Zielgruppe . . . . .	14
Bestimmungsgemäßer Gebrauch . . . . .	14
Technische Beschreibung . . . . .	14
Lithiumbatterie installieren . . . . .	15
Batterie einrichten . . . . .	16
Lithiumbatterie laden . . . . .	17
Reinigung und Pflege . . . . .	17
Fehlersuche und Fehlerbehebung . . . . .	18
Gewährleistung . . . . .	19
Entsorgung . . . . .	19
Technische Daten . . . . .	19

## Erläuterung der Symbole



### GEFAHR!

**Sicherheitshinweis:** Kennzeichnet eine Gefahrensituation, die zum Tod oder schwerer Verletzung führt, wenn die jeweiligen Anweisungen nicht befolgt werden.



### WARNUNG!

**Sicherheitshinweis:** Kennzeichnet eine Gefahrensituation, die zum Tod oder schwerer Verletzung führen könnte, wenn die jeweiligen Anweisungen nicht befolgt werden.



### VORSICHT!

**Sicherheitshinweis:** Kennzeichnet eine Gefahrensituation, die zu geringer oder mittelschwerer Verletzung führen könnte, wenn die jeweiligen Anweisungen nicht befolgt werden.



### ACHTUNG!

Kennzeichnet eine Situation, die zu Sachschäden führen kann, wenn die jeweiligen Anweisungen nicht befolgt werden.



### HINWEIS

Ergänzende Informationen zur Bedienung des Produktes.

## Sicherheitshinweise



**WARNUNG! Nichtbeachtung dieser Warnungen kann zum Tod oder schwerer Verletzung führen.**

### Gefahr durch Stromschlag

- Die Installation, die Montage und die Verkabelung sowie alle anderen Arbeiten dürfen nur durch einen qualifizierten Elektriker durchgeführt werden. Durch unsachgemäße Reparaturen können erhebliche Gefahren entstehen.

### Brandgefahr

- Die Installation in explosionsgefährdeten Bereichen wie beispielsweise Räumen mit entzündlichen Flüssigkeiten oder Gasen ist nicht zulässig.
- Installieren und verwahren Sie das Gerät nicht in der Nähe von offenen Flammen oder anderen Wärmequellen (Heizung, direkte Sonneneinstrahlung, Gasöfen usw.).

### Gesundheitsgefahr

- Installieren und verwahren Sie das Gerät stets außerhalb der Reichweite von Kindern.



**ACHTUNG! Kennzeichnet eine Situation, die zu Sachschäden führen kann, wenn die jeweiligen Anweisungen nicht befolgt werden.**

- Prüfen Sie, ob die Spannungsangabe auf dem Typenschild mit der vorhandenen Energieversorgung übereinstimmt.
- Tauchen Sie das Gerät nie in Wasser.
- Schützen Sie das Gerät und die Kabel vor Hitze und Nässe.
- Setzen Sie das Gerät nicht Regen aus.

**Sicherheit beim Umgang mit Lithiumbatterien**



**VORSICHT! Nichtbeachtung dieser Hinweise kann zu leichten bis mittelschweren Verletzungen führen.**

**Verletzungsgefahr**

- Verwenden Sie ausschließlich Batterien mit integriertem Batteriemanagementsystem und Zellenausgleich.



**ACHTUNG! Beschädigungsgefahr**

- Installieren Sie die Batterie ausschließlich in Umgebungen mit einer Umgebungstemperatur von mindestens 0 °C.

**Lieferumfang**

Anzahl	Beschreibung
1	Lithiumbatterie MT LI
2	Batterieanschlussadapter (nur Batterien mit Anschlüssen mit M8-Sechskantkopf)
2	Batterieanschlussabdeckung
1	6-poliger Stecker
1	4-poliger Stecker
1	Montage- und Bedienungsanleitung

**Zubehör**

Beschreibung	SKU
Batterie-Computer MT iQ Basic-Pro	9620000287 (MT71260)
Batterie-Computer MT 5000iQ mit 100-A-, 200-A- oder 400-A-Shunt	9620000129 (MT01262), 9620000218 (MT01265), 9620000303 (MT01268)
Adapter für runden Anschluss	9620000338 (MT12102)

**Zielgruppe**



Die elektrische Installation und Einrichtung des Geräts müssen von einer qualifizierten Elektrofachkraft durchgeführt werden, der seine Fähigkeiten und Kenntnisse im Zusammenhang mit dem Aufbau und der Bedienung von elektrischen Geräten und Installationen unter Beweis gestellt hat und der mit den geltenden Vorschriften des Landes, in dem das Gerät installiert und/oder verwendet werden soll, vertraut ist und eine Sicherheitsschulung erhalten hat, um die damit verbundenen Gefahren zu erkennen und zu vermeiden.

Alle anderen Aktionen sind auch für nicht-professionelle Benutzer bestimmt.

**Bestimmungsgemäßer Gebrauch**

Das Gerät ist für die Speicherung von elektrischem Strom für Wohnmobile, Reisemobile, Camping- und Schiffsanwendungen vorgesehen.

**Technische Beschreibung**

Die Lithiumbatterien MT bestehen aus 4 in Reihe geschalteten Blöcken mit parallel geschalteten LiFePO4-Röhrenzellen.

Die Lithiumbatterien MT sind mit einem Batteriemanagementsystem ausgestattet, das in das Batteriegehäuse integriert ist.

Das Batteriemanagementsystem ist ein passives elektronisches Gerät ohne Leistungsaufnahme, das die Batterie vor Tiefentladung, Überladung, Übertemperatur schützt und den Zellenausgleich aller in Reihe geschalteten Blöcke während des Ladens gewährleistet.

Im Schutzabschaltmodus schaltet sich die Batterie vorübergehend ab, solange die Störung anhält, und schaltet sich automatisch wieder ein, sobald die Betriebsbedingungen wieder normal sind bzw. wenn sie wieder geladen wird.

## Lithiumbatterie installieren



### **ACHTUNG! Beschädigungsgefahr**

- Die Installation darf nur durch eine qualifizierte Elektrofachkraft durchgeführt werden.
- Es muss sichergestellt werden, dass kein Wasser in die Lithiumbatterie eindringen kann und dass die Batterie nicht verschmutzt wird.
- Eine mechanisch beschädigte Lithiumbatterie darf nicht in Betrieb genommen werden.
- Die Batterieanschlüsse dürfen nicht mit elektrisch leitenden Gegenständen in Berührung kommen.
- Schließen Sie die Anschlusskabel niemals mit umgekehrter Polarität an. Beachten Sie die Markierung für Plus (+) und Minus (-).
- Alle Kabel von oder zu der Batterie müssen durch Installation einer für den Querschnitt des angeschlossenen Kabels zugelassenen Sicherung geschützt werden.
- Die Batterieanschlussverbindung muss fest angezogen sein und die Verbindung muss entsprechend dem Nennstrom erfolgen.



### **ACHTUNG! Beschädigungsgefahr**

- Lithiumbatterien unterschiedlicher Marken, Kapazitäten, Größen oder Typen dürfen nicht miteinander verbunden werden.
- Batterien mit korrodierten Anschlussklemmen dürfen nicht in Betrieb genommen werden.
- Die Lithiumbatterien müssen in einer beheizten Umgebung installiert werden.

- Entfernen Sie die Transportsicherung, bevor Sie die Batterie installieren (Abb. **1**, Seite 3).
- Die bevorzugte Installationsposition der Batterie ist stehend. Sie kann aber auch liegend installiert werden, wenn die Anschlussklemmen nach oben zeigen (Abb. **5**, Seite 4).
- Die Lithiumbatterie muss gegen Rutschen und Umkippen gesichert werden. Sichern Sie dazu die Batterie mit den im Fahrzeug bereitgestellten Hilfsmitteln.
- Schließen Sie immer zuerst das Plus- und dann das Minus-Kabel an.
- Es können maximal 4 Lithiumbatterien parallel geschaltet werden (12 V).
- Es können maximal 2 Lithiumbatterien in Reihe geschaltet werden (24 V).



### **ACHTUNG! Beschädigungsgefahr**

Vor dem Verbinden der Batterien miteinander müssen alle Batterien getrennt voneinander vollständig aufgeladen werden. Batterien dürfen nur dann miteinander parallel oder in Reihe geschaltet werden, wenn die Spannungsdifferenz zwischen den Batterien weniger als 50 mV beträgt.

Die Lithiumbatterien sind mit zwei zusätzlichen Steckern ausgestattet: einem zur Verwendung von internen Temperatursensoren und einem weiteren für spezielle Laderegloptionen.



### HINWEIS

Die standardmäßigen Werkseinstellungen für die DIP-Schalter sind:

- Bei einer einzelnen Batterie: alle Schalter sind in der Position **aus**.
- Als Teil des Power Unit-Satzes: alle Schalter sind in der Position **ein**.

## Signaleingangsmodus

DIP 1	DIP 2	Beschreibung
OFF	OFF	Unterbricht das Laden und Entladen, wenn ein positives 12-V-Signal an Klemme 1 des 4-poligen Steckers angelegt wird. Kein Signal an Klemme 1 für volle Funktion an Batterie.
ON	OFF	Unterbricht das Laden und Entladen, wenn kein Signal an Klemme 1 des 4-poligen Steckers angelegt wird. 12-V-Signal an Klemme 1 für volle Funktion an Batterie.
OFF	ON	Unterbricht den Ladevorgang, wenn ein 12-V-Signal an Klemme 1 des 4-poligen Steckers angelegt wird; Entladung noch möglich. Kein Signal an Klemme 1 für volle Funktion an Batterie.
ON	ON	Unterbricht den Ladevorgang, wenn kein Signal an Klemme 1 des 4-poligen Steckers angelegt wird; Entladung noch möglich. 12-V-Signal an Klemme 1 für volle Funktion an Batterie.

### 6-poliger Stecker

Abb. **2**, Seite 3

### Beschreibung

Klemmen <b>A</b>	Temperatursensor für MT CAC, BCB, LB oder Solarregler
Klemmen <b>B</b>	Temperatursensor für MT CAC, BCB, LB oder Solarregler
Klemmen <b>C</b>	Temperatursensor für MT ICC oder Solarregler

- An jeden internen Sensor darf nur ein MT-Gerät angeschlossen werden.
- Wenn die Batterien parallel geschaltet sind, wird nur ein Temperatursensor von einer Batterieanschlussklemme **A** verwendet.
- Wenn das Batterie Ladegerät von einem anderen Hersteller stammt, lassen Sie diese Stecker unbelegt.

### 4-poliger Stecker

Abb. **3**, Seite 3

### Beschreibung

Klemme 1	Eingangssignal für Batterie-schaltstatus.
Klemme 2	Für Wartungszwecke reserviert.
Klemme 3	Ausgang für kleine Verbraucher, kann mit maximal 150 mA belastet werden.
Klemme 4	Spannungssensor.



### ACHTUNG!

Bei Auslieferung ist die Batterie mit einer Transportsicherung (Abb. **1**, Seite 3) gesichert und kann nicht geladen werden, da Stift 1 und Stift 3 am 4-poligen Stecker kurzgeschlossen und alle DIP-Schalter auf „Off“ (Aus) (Werkseinstellung) gestellt sind.

## Batterie einrichten

Die DIP-Schalter befinden sich hinter dem **SETUP**-Aufkleber der Batterie (Abb. **4**, Seite 4).



## Ladeschutz

DIP 3	Beschreibung
OFF	Ein Batterieladegerät eines anderen Herstellers wird verwendet.
ON	Ein Batterieladegerät von Büttner/Dometic wird verwendet und die 4-poligen und 6-poligen Stecker sind angeschlossen.

## Reinigung und Pflege

Die Lithiumbatterien sind wartungsfrei.

► Reinigen Sie das Produkt gelegentlich mit einem feuchten Tuch.

## Lithiumbatterie laden

Die Lithiumbatterie darf nur mit einem IUoU-Laderegler mit temperaturgeregelter Ladestromreduzierung aufgeladen werden. Die Absorptionsladespannung beträgt 14,4 V, die Erhaltungsspannung 13,6 V und nur 12,8 V unter -20 °C und über 50 °C. Zwischen 0 °C und -20 °C muss nur ein Ladestrom von 0,05 C angelegt werden.

### Vom Hersteller empfohlene Ladegeräte

Bei stationärem Betrieb:

- MT PL 1225 bis MT PL 1250
- MT 1215 bis MT 1260
- Alle Solarladeregler PP und MPP mit Lithiumbatteriecharakteristik

Für den mobilen Einsatz mit temperaturüberwachten Laderegler vom Generator:

- Ladeverstärker LB 30 bis LB 90 mit Lithiumbatteriecharakteristik
- Batterie-Control-Booster BCB 25/20 bis BCB 60/40 mit Lithiumbatteriecharakteristik

Wechselrichter-/Lade-Kombigerät:

- ICC 1600 SI-N/60 A und ICC 3000 SI-N/120 A



### **ACHTUNG! Beschädigungsgefahr**

Die Lithiumbatterie darf nur mit einem Ladegerät mit Lithiumbatterie-Ladecharakteristik aufgeladen werden.



### **HINWEIS**

Es wird dringend empfohlen, in Verbindung mit der LiFePO<sub>4</sub>-V-Batterie einen Batterie-Computer zu verwenden.

# Fehlersuche und Fehlerbehebung

Störung	Mögliche Ursache	Lösung
Keine Ausgangsspannung an Batterieanschlussklemme	Batterie ist gesichert.	Entfernen Sie die Transportsicherung (Abb. <b>1</b> , Seite 3).
	Falsche DIP-Schalter-Einstellungen.	Stellen Sie die DIP-Schalter richtig ein. (Kapitel „“ auf Seite 16)
	Kabel wurden mit falscher Polarität angeschlossen.	Schließen Sie die Batterie richtig an.
	Unterspannung der Batterie.	Laden Sie die Batterie mindestens 24 Stunden lang auf.
	Batterie überhitzt.	Warten Sie 30 Minuten, bis die Batterie abkühlt und sich selbst zurücksetzt.
	Batteriekreis kurzgeschlossen oder überlastet.	Setzen Sie die Transportsicherung ein, warten Sie 10 Sekunden und entfernen Sie den Transportsicherung wieder.  Trennen Sie alle Kabel von der Batterie, warten Sie 10 Sekunden und schließen Sie die Kabel wieder an.  Laden Sie die Batterie auf, um sie zurückzusetzen.
Das Wiederaufladen der Batterie ist nicht möglich.	Falsche DIP-Schalter-Einstellungen.	Stellen Sie die DIP-Schalter richtig ein. (Kapitel „“ auf Seite 16)
	Stecker des Temperatursensors ist nicht angeschlossen.	Schließen Sie den Stecker des Temperatursensors richtig an.
	Batterietemperatur unter 0 °C	Wärmen Sie die Batterie auf.
	Batterie überhitzt.	Warten Sie 30 Minuten, bis die Batterie abkühlt und sich selbst zurücksetzt.
Die Batteriekapazität scheint verringert zu sein.	Lange Lagerdauer	Laden Sie die Batterie mindestens 24 Stunden lang auf.
Keine Ausgangsspannung am Zusatzausgang.	Die Batteriespannung liegt unter 10 V	Laden Sie die Batterie mindestens 24 Stunden lang auf.
	Ausgang ist überlastet. (max. 150 mA)	Trennen Sie die Kabel vom Zusatzausgang und reduzieren Sie die Last. Warten Sie einige Minuten, bis die Batterie abgekühlt ist, und schließen Sie die Kabel dann wieder an.

## Gewährleistung

Es gilt die gesetzliche Gewährleistungsfrist. Sollte das Produkt defekt sein, wenden Sie sich bitte an Ihren Fachhändler oder die Niederlassung des Herstellers in Ihrem Land (siehe [dometic.com/dealer](http://dometic.com/dealer)).

Bitte senden Sie bei einem Reparatur- bzw. Gewährleistungsantrag folgende Unterlagen mit dem Produkt ein:

- Eine Kopie der Rechnung mit Kaufdatum
- Einen Reklamationsgrund oder eine Fehlerbeschreibung

Bitte beachten Sie, dass eigenständig oder nicht fachgerecht durchgeführte Reparaturen die Sicherheit gefährden und zum Erlöschen von Gewährleistungsansprüchen führen können.


## Technische Daten


	MT LI 0085	MT LI 0105	MT LI 0120
Batterie-Typ	Lithium-Eisenphosphat/LiFePO4 mit integriertem BMS		
Betriebsspannung	12,8 V $\overline{---}$		
Kapazität	85 Ah (C1 bei 20 °C)	105 Ah (C1 bei 20 °C)	120 Ah (C1 bei 20 °C)
Kontinuierlicher Entladestrom	100 A (200 A < 5 Sek.)	160 A (300 A < 5 Sek.)	200 A (400 A < 5 Sek.)
Empfohlener Ladestrom/max.	20 A/50 A	25 A/80 A	30 A/100 A
Ladestrom (reduziert)	0,05 C		
Ladecharakteristik	IUoU bei LiFePO4-Batterien		
Ladeschlussspannung	14,4 V (0,3–1 h)		
Ruhe <span>spannung</span>	13,4 V $\overline{---}$		
Tiefenentladungsschutz	$\leq 10,5$ V $\overline{---}$		
Entladungstemperaturbereich	-20 °C bis 60 °C		
Empfohlener Ladetemperaturbereich	0 °C bis 45 °C		
Ladestrom – I <sub>max</sub>			
Temperaturbereich reduzierter Ladestrom	U <sub>cons</sub> = 12,8 V unter -20 °C und über 50 °C		
Umgebungsbedingung, Luftfeuchtigkeit	10 % bis 90 % RH		
Ladetemperaturbereich mit reduziertem Ladestrom	2.000 Lade-/Entladezyklen bei 100 % Entladungstiefe 3.000 Lade-/Entladezyklen bei 50 % Entladungstiefe 7.000 Lade-/Entladezyklen bei 30 % Entladungstiefe		
Abmessungen (B × H × T) (mm)	278 × 175 × 190	353 × 175 × 190	330 × 172 × 212

## Entsorgung



- Geben Sie das Verpackungsmaterial möglichst in den entsprechenden Recycling-Müll.
- Wenden Sie sich an ein örtliches Recyclingzentrum oder einen Fachhändler, um zu erfahren, wie Sie das Produkt gemäß den geltenden Entsorgungsvorschriften entsorgen können.
- Akkus und Batterien gehören nicht in den Hausmüll. Geben Sie bitte Ihre defekten Akkus oder verbrauchten Batterien beim Händler oder bei einer Sammelstelle ab.

	<b>MT LI 0085</b>	<b>MT LI 0105</b>	<b>MT LI 0120</b>
Batterieanschlussklemmentyp	Runder Anschluss	Runder Anschluss	M8-Sechskant-schraube (Anzugsmoment 7–8 Nm)
Gewicht	10,2 kg	12,7 kg	14,8 kg
Prüfung/Zertifikat:	UN 38.3 		

	<b>MT LI 0180</b>	<b>MT LI 0240</b>	<b>MT LI 0300</b>
Batterie-Typ	Lithium-Eisenphosphat/LiFePO4 mit integriertem BMS		
Betriebsspannung	12,8 V $\equiv$		
Kapazität	180 Ah (C1 bei 20 °C)	240 Ah (C1 bei 20 °C)	300 Ah (C1 bei 20 °C)
Kontinuierlicher Entladestrom	200 A (400 A < 5 Sek.)	250 A (550 A < 5 Sek.)	300 A (660 A < 5 Sek.)
Empfohlener Ladestrom/max.	50 A/150 A	60 A/200 A	75 A/250 A
Ladestrom (reduziert)	0,05 C		
Ladecharakteristik	IUoU bei Lithiumbatterien		
Ladeschlussspannung	14,4 V (0,3–1 h)		
Ruhespannung	13,4 V $\equiv$		
Tiefenentladungsschutz	$\leq 10,5$ V $\equiv$		
Entladungstemperaturbereich	-20 °C bis 60 °C		
Empfohlener Ladetemperaturbereich Ladestrom – I <sub>max</sub>	0 °C bis 45 °C		
Temperaturbereich reduzierter Ladestrom	-20 °C bis 0 °C Unter U <sub>cons</sub> =12,8 V $\equiv$		
Umgebungsbedingung, Luftfeuchtigkeit	10 % bis 90 % RH		
Ladetemperaturbereich mit verringertem Ladestrom	2.000 Lade-/Entladezyklen bei 100 % Entladungstiefe 3.000 Lade-/Entladezyklen bei 50 % Entladungstiefe 7.000 Lade-/Entladezyklen bei 30 % Entladungstiefe		
Abmessungen (B × H × T) (mm)	330 × 172 × 212	520 × 220 × 240	520 × 220 × 270
Batterieanschlussklemmentyp	M8-Sechskant-schraube (Anzugsmoment 7–8 Nm)	M8-Sechskant-schraube (Anzugsmoment 7–8 Nm)	M8-Sechskant-schraube (Anzugsmoment 7–8 Nm)
Gewicht	14,8 kg	30,5 kg	38,6 kg
Zertifikate	UN 38.3 		

Veillez lire et suivre attentivement l'ensemble des instructions, directives et avertissements figurant dans ce manuel afin de vous assurer que vous installez, utilisez et entretenez le produit correctement à tout moment. Ces instructions DOIVENT rester avec le produit.

En utilisant ce produit, vous confirmez expressément avoir lu attentivement l'ensemble des instructions, directives et avertissements et que vous comprenez et acceptez de respecter les modalités et conditions énoncées dans le présent document. Vous acceptez d'utiliser ce produit uniquement pour l'usage et l'application prévus et conformément aux instructions, directives et avertissements figurant dans le présent manuel, ainsi qu'à toutes les lois et réglementations applicables. En cas de non-respect des instructions et avertissements figurant dans ce manuel, vous risquez de vous blesser ou de blesser d'autres personnes, d'endommager votre produit ou d'endommager d'autres biens à proximité. Le présent manuel du produit, y compris les instructions, directives et avertissements, ainsi que la documentation associée peuvent faire l'objet de modifications et de mises à jour. Pour obtenir des informations actualisées sur le produit, veuillez consulter le site [documents.domestic.com](http://documents.domestic.com).

## Sommaire

Signification des symboles . . . . .	21
Consignes de sécurité . . . . .	21
Contenu de la livraison . . . . .	22
Accessoires . . . . .	22
Groupe cible . . . . .	22
Usage conforme . . . . .	22
Description technique . . . . .	22
Installation de la batterie au lithium . . . . .	23
Configuration de la batterie . . . . .	24
Chargement de la batterie au lithium . . . . .	25
Nettoyage et entretien . . . . .	25
Dépannage . . . . .	26
Garantie . . . . .	26
Mise au rebut . . . . .	27
Caractéristiques techniques . . . . .	27

## Signification des symboles



### DANGER !

**Consignes de sécurité :** indiquent une situation dangereuse qui, si elle n'est pas évitée, entraînera des blessures graves, voire mortelles.



### AVERTISSEMENT !

**Consignes de sécurité :** indiquent une situation dangereuse qui, si elle n'est pas évitée, est susceptible d'entraîner des blessures graves, voire mortelles.



### ATTENTION !

**Consignes de sécurité :** indiquent une situation dangereuse qui, si elle n'est pas évitée, est susceptible d'entraîner des blessures légères ou de gravité modérée.



### AVIS !

indiquent une situation dangereuse qui, si elle n'est pas évitée, peut entraîner des dommages matériels.



### REMARQUE

Informations complémentaires sur l'utilisation de ce produit.

## Consignes de sécurité



**AVERTISSEMENT ! Le non-respect de ces mises en garde peut entraîner des blessures graves, voire mortelles.**

### Risque d'électrocution

- L'installation, le montage et le câblage, ainsi que toute autre opération peuvent uniquement être réalisés par des électriciens agréés. Toute réparation inappropriée risque d'entraîner de graves dangers.

### Risque d'incendie

- L'installation dans des zones potentiellement explosives telles que des pièces contenant des liquides ou des gaz inflammables est interdite.
- N'installez ou ne stockez pas l'appareil à proximité de flammes ou d'autres sources de chaleur (chauffage, rayonnement solaire, fours à gaz, etc.).

### Risque pour la santé

- Installez et stockez toujours l'appareil hors de portée des enfants.



**AVIS ! indiquent une situation dangereuse qui, si elle n'est pas évitée, peut entraîner des dommages matériels.**

- Vérifiez que la tension indiquée sur la plaque signalétique correspond à l'alimentation électrique dont vous disposez.
- Ne plongez jamais l'appareil dans l'eau.
- Tenez le dispositif et les câbles à l'abri de la chaleur et de l'humidité.
- N'exposez pas l'appareil à la pluie.

### Consignes de sécurité liées à la manipulation des batteries au lithium



**ATTENTION ! Le non-respect de ces mises en garde peut entraîner des blessures légères ou de gravité modérée.**

#### Risque de blessure

- Utilisez uniquement des batteries avec système de gestion de batterie et équilibrage de cellules intégrés.



**AVIS ! Risque d'endommagement**

- Installez uniquement la batterie dans des environnements où la température ambiante est d'au moins 0 °C.

## Contenu de la livraison

Quantité	Description
1	Batterie au lithium MT LI
2	Adaptateur de borne de batterie (batteries avec bornes M8 à tête hexagonale uniquement)
2	Couvercle de borne de batterie
1	Connecteur 6 broches
1	Connecteur 4 broches
1	Instructions de montage et d'utilisation

## Accessoires

Description	Référence produit
Ordinateur à batterie MT IQ BasicPro	9620000287 (MT71260)
Ordinateur sur batterie MT 5000iQ avec dérivation de 100 A, 200 A ou 400 A	9620000129 (MT01262), 9620000218 (MT01265), 9620000303 (MT01268)
Adaptateurs de cosse à œillet	9620000338 (MT12102)

## Groupe cible



L'installation et la configuration électriques de l'appareil doivent être effectuées par un électricien qualifié disposant des compétences et connaissances structurelles et fonctionnelles requises en matière d'équipements et d'installations électriques, au fait des réglementations en vigueur dans le pays dans lequel l'équipement doit être installé et/ou utilisé, et ayant suivi une formation de sécurité pour identifier et éviter les dangers impliqués.

Toutes les autres actions sont également destinées aux utilisateurs non professionnels.

## Usage conforme

L'appareil est destiné au stockage de l'alimentation électrique pour les camping-cars, les véhicules de plaisance, ainsi que les applications de camping et maritimes.

## Description technique

Les batteries au lithium MT sont composées de 4 blocs série avec cellules tubulaires LiFePO4 à commutation parallèle.

Les batteries au lithium MT sont équipées d'un système de gestion de batterie intégré au carter de batterie.

Le système de gestion de la batterie est un dispositif électronique passif non consommateur d'énergie qui protège la batterie contre les décharges profondes, les surcharges, les températures excessives et garantit l'équilibrage des cellules de tous les blocs commutés en série pendant la charge.

En mode Sécurisé, la batterie s'éteint temporairement en présence d'interférences, puis se réactive automatiquement lorsque les conditions redeviennent normales au cours de la recharge.

## Installation de la batterie au lithium



### AVIS ! Risque d'endommagement

- L'installation peut uniquement être effectuée par un électricien qualifié.
- Assurez-vous qu'aucune infiltration d'eau ne peut se produire dans la batterie au lithium et qu'elle n'est pas sale.
- N'utilisez pas les batteries au lithium si elles sont mécaniquement endommagées.
- Les bornes de la batterie ne doivent pas entrer en contact avec des objets conducteurs d'électricité.
- Ne raccordez jamais les câbles de connexion en inversant la polarité. Observez le marquage (+) pour le pôle positif et (-) pour le pôle négatif.
- Tous les câbles provenant ou sortant de la batterie doivent être protégés en installant un fusible agréé pour la section transversale du câble connecté.
- Le raccordement aux cosses de la batterie doit être serré correctement et conforme à la valeur de courant nominale.



### AVIS ! Risque d'endommagement

- Les batteries au lithium de marques, de capacité, de taille ou de type différents ne doivent pas être connectées les unes aux autres.
- N'utilisez jamais des batteries dont les bornes sont corrodées.
- Les batteries au lithium doivent être installées dans un environnement chauffé.

- Retirez le verrou de transport avant d'installer la batterie (fig. 1, page 3).
- Il est recommandé d'installer la batterie en position debout, mais elle peut également être couchée si les bornes sont orientées vers le haut (fig. 5, page 4).
- La batterie au lithium doit être fixée en place pour éviter qu'elle ne glisse et ne se renverse. Pour ce faire, fixez la batterie à l'aide des mécanismes fournis dans le véhicule.
- Connectez toujours le câble positif en premier, puis le câble négatif.
- Un maximum de 4 batteries au lithium peuvent être connectées en parallèle (12 V).
- Un maximum de 2 batteries au lithium peuvent être connectées en parallèle (24 V).



### AVIS ! Risque d'endommagement

Avant de connecter les batteries, toutes les batteries doivent être complètement chargées séparément. La connexion des batteries en parallèle ou en série est uniquement autorisée si la différence de tension entre les batteries est inférieure à 50 mV.

Les batteries au lithium sont équipées de deux connecteurs supplémentaires, un pour utiliser des capteurs de température internes et un autre pour les options de contrôleur de charge dédiées.

#### Connecteur à 6 broches fig. 2, page 3

Bornes	Description
Bornes <b>A</b>	Capteur de température pour MT CAC, BCB, LB ou contrôleur solaire
Bornes <b>B</b>	Capteur de température pour MT CAC, BCB, LB ou contrôleur solaire
Bornes <b>C</b>	Capteur de température pour MT ICC ou contrôleur solaire

- Un seul appareil MT peut être connecté à chaque capteur interne.

- Si les batteries sont connectées en parallèle, un seul capteur de température relié à une borne **A** de la batterie doit être utilisé.
- Si le chargeur de batterie provient d'un autre fabricant, laissez ces connecteurs vides.

**Connecteur à 4 broches fig. 3, Description page 3**

Borne 1	Signal d'entrée pour l'état de commutation de la batterie.
Borne 2	Inversé à des fins de maintenance.
Borne 3	Sortie pour petits consommateurs, peut être chargée avec un maximum de 150 mA
Borne 4	Capteur de tension



**AVIS !**

À la livraison, la batterie est verrouillée avec un verrou de transport (fig. 1, page 3) et ne peut pas être chargée ; les broches 1 et 3 sont court-circuitées sur le connecteur à 4 broches et tous les interrupteurs DIP sont désactivés (réglage d'usine).

**Mode d'entrée du signal**

DIP 1	DIP 2	Description
OFF	OFF	Interrompt la charge et la décharge si un signal positif de 12 V est fourni à la borne 1 du connecteur à 4 broches. Aucun signal sur la borne 1 pour le fonctionnement complet de la batterie.
ON	OFF	Interrompt la charge et la décharge si aucun signal n'est fourni à la borne 1 du connecteur à 4 broches. Signal de 12 V sur la borne 1 pour le fonctionnement complet de la batterie.
OFF	ON	Interrompt la charge si un signal de 12 V est fourni à la borne 1 du connecteur à 4 broches, la décharge est toujours possible. Aucun signal sur la borne 1 pour le fonctionnement complet de la batterie.
ON	ON	Interrompt la charge si aucun signal n'est fourni à la borne 1 du connecteur à 4 broches, la décharge est toujours possible. Signal de 12 V sur la borne 1 pour le fonctionnement complet de la batterie.

**Configuration de la batterie**

Les commutateurs DIP sont situés derrière l'auto-collant de **configuration de la batterie**(fig. 4, page 4).



**REMARQUE**

Les réglages d'usine des commutateurs DIP sont les suivants :

- Pour une seule batterie : tous les commutateurs sont **désactivés**.
- Pour une partie du kit d'alimentation : tous les commutateurs sont **activés**.



## Protection du chargement

DIP 3	Description
OFF	Un chargeur de batterie d'un autre fabricant est utilisé.
ON	Un chargeur de batterie Büttner/Dometic est utilisé et les connecteurs à 4 et 6 broches sont connectés.

## Chargement de la batterie au lithium

Le chargement de la batterie au lithium peut uniquement être effectué à l'aide d'un chargeur IUoU avec réduction du courant de charge à température contrôlée. La tension de charge d'absorption est de 14,4 V, la tension d'entretien est de 13,6 V et seulement de 12,8 V en dessous de -20 °C et au-dessus de 50 °C. Entre 0 °C et -20 °C, un courant de charge de 0,05 C seulement doit être appliqué.

### Chargeurs recommandés par le fabricant

Pour un fonctionnement à l'arrêt :

- MT PL 1225 - MT PL 1250
- MT 1215 - MT 1260
- Tous les chargeurs solaires PP et MPP avec caractéristiques de batterie au lithium

Pour une utilisation mobile avec des chargeurs à température contrôlée via l'alternateur :

- Amplificateur de charge LB 30 - LB 90 avec caractéristiques de batterie au lithium
- Amplificateur de charge de batterie BCB 25/20 à BCB 60/40 avec caractéristiques de batterie au lithium

Combiné onduleur-chargeur :

- ICC 1600 SI-N/60 A et ICC 3000 SI-N/120 A



### AVIS ! Risque d'endommagement

La charge de la batterie au lithium peut uniquement être effectuée à l'aide d'un chargeur doté de caractéristiques de charge pour batteries au lithium.



### REMARQUE

Il est vivement recommandé d'utiliser un moniteur de batterie avec la batterie LiFe-PO4.

## Nettoyage et entretien

Les batteries au lithium ne nécessitent aucun entretien.

- Nettoyez de temps en temps le produit avec un chiffon humide.

# Dépannage

Panne	Cause possible	Solution
Aucune tension de sortie au niveau de la borne de la batterie	La batterie est verrouillée.	Retirez le verrou de transport (fig. <b>1</b> , page 3).
	Configuration incorrecte des commutateurs DIP.	Définissez les commutateurs DIP dans l'ordre correct. (chapitre « », page 24)
	Polarité de câblage incorrecte.	Connectez la batterie correctement.
	Tension de batterie faible.	Chargez la batterie pendant au moins 24 h.
	Surchauffe de la batterie.	Attendez 30 minutes pour refroidir la batterie et réinitialisez-la.
	Batterie court-circuitée ou surchargée.	Insérez le verrou de transport, attendez 10 secondes et retirez-le.  Débranchez tous les câbles de la batterie, attendez 10 secondes, puis rebranchez-les.  Chargez la batterie pour la réinitialiser.
La batterie ne peut pas être rechargée.	Configuration incorrecte des commutateurs DIP.	Définissez les commutateurs DIP dans l'ordre correct. (chapitre « », page 24)
	Le connecteur du capteur de température est débranché.	Branchez le capteur de température correctement.
	Température de la batterie inférieure à 0 °C	Réchauffez la batterie.
	Surchauffe de la batterie.	Attendez 30 minutes pour refroidir la batterie et réinitialisez-la.
La capacité de la batterie semble réduite.	Stockage longue durée	Chargez la batterie pendant au moins 24 h.
Aucune tension de sortie à la sortie auxiliaire.	La tension de la batterie est inférieure à 10 V	Chargez la batterie pendant au moins 24 h.
	La sortie est surchargée. (max. 150 mA)	Débranchez les câbles de la sortie auxiliaire et réduisez la charge. Attendez quelques minutes pour que la batterie refroidisse et rebranchez les câbles.

## Garantie

La période de garantie légale s'applique. Si le pro-

duit est défectueux, contactez votre revendeur ou la filiale locale du fabricant (voir [dometic.com/dealer](http://dometic.com/dealer)).

Pour toutes réparations ou autres prestations de garantie, veuillez joindre au produit les documents suivants :

- Une copie de la facture avec la date d'achat
- Un motif de réclamation ou une description du dysfonctionnement

Notez que toute réparation effectuée par une personne non agréée peut présenter un risque de sécurité et annuler la garantie.


## Mise au rebut




- Dans la mesure du possible, jetez les emballages dans les conteneurs de déchets recyclables prévus à cet effet.
- Pour éliminer définitivement le produit, contactez le centre de recyclage le plus proche ou votre revendeur spécialisé afin de vous informer sur les dispositions relatives au retraitement des déchets.
- Les piles et les batteries usagées ne sont pas des déchets ménagers. Rapportez les piles défectueuses ou les batteries usagées à votre revendeur ou à un centre de collecte.

## Caractéristiques techniques

	MT LI 0085	MT LI 0105	MT LI 0120
Type de batterie	Lithium-fer-phosphate/LiFePO4 avec BMS intégré		
tension de service	12,8 V $\equiv$		
Capacité	85 Ah (C1 à 20 °C)	105 Ah (C1 à 20 °C)	120 Ah (C1 à 20 °C)
Courant de décharge continu	100 A (200 A < 5 s)	160 A (300 A < 5 s)	200 A (400 A < 5 s)
Courant de charge recommandé/max.	20 A/50 A	25 A/80 A	30 A/100 A
Courant de charge (réduit)	0,05 C		
Caractéristiques de charge	IUoU pour batteries LiFePO4		
Tension de fin de charge	14,4 V (0,3 à 1 h)		
Tension de circuit ouvert	13,4 V $\equiv$		
Protection contre les décharges profondes	$\leq 10,5$ V $\equiv$		
Plage de températures de décharge	-20 °C à 60 °C		
Plage de températures de charge recommandée	0 °C à 45 °C		
Courant de charge - $I_{\max}$			
Plage de températures de courant de charge réduit	$U_{\text{cons}} = 12,8$ V en dessous de -20 °C et au-dessus de 50 °C		
Conditions ambiantes, humidité	10 % à 90 % d'humidité relative		
Plage de températures de charge avec courant de charge réduit	2000 cycles de charge/décharge à une profondeur de décharge de 100 % 3000 cycles de charge/décharge à une profondeur de décharge de 50 % 7000 cycles de charge/décharge à une profondeur de décharge de 30 %		

	<b>MT LI 0085</b>	<b>MT LI 0105</b>	<b>MT LI 0120</b>
Dimensions (l × H × p) (mm)	278 × 175 × 190	353 × 175 × 190	330 × 172 × 212
Type de borne de batterie	Cosse à œillet	Cosse à œillet	Boulon M8 à tête hexagonale (couple de serrage 7 à 8 Nm)
Poids	10,2 kg	12,7 kg	14,8 kg
Contrôle/certification :	UN 38.3 		

	<b>MT LI 0180</b>	<b>MT LI 0240</b>	<b>MT LI 0300</b>
Type de batterie	Lithium-fer-phosphate/LiFePO4 avec BMS intégré		
tension de service	12,8 V <sup>---</sup>		
Capacité	180 Ah (C1 à 20 °C)	240 Ah (C1 à 20 °C)	300 Ah (C1 à 20 °C)
Courant de décharge continu	200 A (400 A < 5 s)	250 A (550 A < 5 s)	300 A (660 A < 5 s)
Courant de charge recommandé/max.	50 A/150 A	60 A/200 A	75 A/250 A
Courant de charge (réduit)	0,05 C		
Caractéristiques de charge	IUoU pour batteries au lithium		
Tension de fin de charge	14,4 V (0,3 à 1 h)		
Tension de circuit ouvert	13,4 V <sup>---</sup>		
Protection contre les décharges profondes	≤ 10,5 V <sup>---</sup>		
Plage de températures de décharge	-20 °C à 60 °C		
Plage de températures de charge recommandée	0 °C à 45 °C		
Courant de charge - I <sub>max</sub>			
Plage de températures de courant de charge réduit	-20 °C à 0 °C En dessous, U <sub>cons</sub> =12,8 V <sup>---</sup>		
Conditions ambiantes, humidité	10 % à 90 % d'humidité relative		
Plage de températures de charge avec courant de charge réduit	2000 cycles de charge/décharge à une profondeur de décharge de 100 % 3000 cycles de charge/décharge à une profondeur de décharge de 50 % 7000 cycles de charge/décharge à une profondeur de décharge de 30 %		
Dimensions (l × H × p) (mm)	330 × 172 × 212	520 × 220 × 240	520 × 220 × 270
Type de borne de batterie	Boulon M8 à tête hexagonale (couple de serrage 7 à 8 Nm)	Boulon M8 à tête hexagonale (couple de serrage 7 à 8 Nm)	Boulon M8 à tête hexagonale (couple de serrage 7 à 8 Nm)

	<b>MT LI 0180</b>	<b>MT LI 0240</b>	<b>MT LI 0300</b>
Poids	14,8 kg	30,5 kg	38,6 kg
Certification	UN 38.3 		

Leggere attentamente e seguire tutte le istruzioni, le linee guida e le avvertenze incluse in questo manuale del prodotto, per assicurarsi che il prodotto venga sempre installato, utilizzato e mantenuto nel modo corretto. Queste istruzioni DEVONO essere conservate insieme al prodotto.

Utilizzando il prodotto, l'utente conferma di aver letto attentamente tutte le istruzioni, le linee guida e le avvertenze e di aver compreso e accettato di rispettare i termini e le condizioni qui espressamente indicati. L'utente accetta di utilizzare questo prodotto solo per lo scopo e l'applicazione previsti e in conformità con le istruzioni, le linee guida e le avvertenze indicate nel presente manuale del prodotto, nonché con tutte le leggi e i regolamenti applicabili. La mancata lettura e osservanza delle istruzioni e delle avvertenze qui espressamente indicate può causare lesioni personali e a terzi, danni al prodotto o ad altre proprietà nelle vicinanze. Il presente manuale del prodotto, comprese le istruzioni, le linee guida e le avvertenze e la relativa documentazione possono essere soggetti a modifiche e aggiornamenti. Per informazioni aggiornate sul prodotto, visitare il sito [documents.dometic.com](http://documents.dometic.com).

## Indice

Spiegazione dei simboli . . . . .	30
Istruzioni per la sicurezza . . . . .	30
Dotazione . . . . .	31
Accessori . . . . .	31
Destinatari . . . . .	31
Destinazione d'uso . . . . .	31
Descrizione delle caratteristiche tecniche . . . . .	31
Installazione della batteria al litio . . . . .	32
Configurazione della batteria . . . . .	33
Ricarica della batteria al litio . . . . .	33
Pulizia e cura . . . . .	34
Risoluzione dei problemi . . . . .	34
Garanzia . . . . .	35
Smaltimento . . . . .	35
Specifiche tecniche . . . . .	36

## Spiegazione dei simboli



### PERICOLO!

**Istruzione per la sicurezza:** indica una situazione di pericolo che, se non evitata, provoca lesioni gravi o mortali.



### AVVERTENZA!

**Istruzione per la sicurezza:** indica una situazione di pericolo che, se non evitata, può provocare lesioni gravi o mortali.



### ATTENZIONE!

**Istruzione per la sicurezza:** indica una situazione di pericolo che, se non evitata, può provocare lesioni di entità lieve o moderata.



### AVVISO!

Indica una situazione di pericolo che, se non evitata, può provocare danni alle cose.



### NOTA

Informazioni supplementari relative all'impiego del prodotto.

## Istruzioni per la sicurezza



**AVVERTENZA! La mancata osservanza di queste avvertenze potrebbe causare la morte o lesioni gravi.**

### Pericolo di scosse elettriche

- L'installazione, il montaggio, il cablaggio e tutti gli altri interventi possono essere eseguiti esclusivamente da elettricisti qualificati. Le riparazioni effettuate in modo scorretto possono causare gravi pericoli.

### Pericolo di incendio

- Non è consentita l'installazione in aree potenzialmente esplosive come locali in cui sono immagazzinati liquidi o gas infiammabili.
- Non installare o conservare l'apparecchio in prossimità di fiamme libere o altre fonti di calore (riscaldamento, luce solare diretta, forni a gas, ecc.).

### Pericolo per la salute

- Installare e conservare l'apparecchio sempre lontano dalla portata dei bambini.



**AVVISO! Indica una situazione di pericolo che, se non evitata, può provocare danni alle cose.**

- Confrontare i dati della tensione riportati sulla targhetta con quelli delle prese e degli attacchi disponibili.
- Non immergere mai l'apparecchio in acqua.
- Proteggere l'apparecchio e i cavi dal caldo e dall'umidità.
- Non esporre l'apparecchio alla pioggia.

## Precauzioni per la sicurezza durante la manipolazione delle batterie al litio



**ATTENZIONE! La mancata osservanza di queste precauzioni potrebbe causare lesioni lievi o moderate.**

### Rischio di lesioni

- Utilizzare esclusivamente batterie con sistema di gestione della batteria integrato e bilanciamento delle celle.



**AVVISO! Rischio di danni**

- Installare la batteria solo in ambienti con una temperatura ambiente di almeno 0 °C.

## Dotazione

Quantità	Descrizione
1	Batteria al litio MT LI
2	Adattatore terminali batteria (solo batterie con terminali a testa esagonale M8)
2	Coperchio terminali batteria
1	Connettore a 6 pin
1	Connettore a 4 pin
1	Istruzioni di montaggio e d'uso

## Accessori

Descrizione	SKU
Computer a batteria MT iQ BasicPro	9620000287 (MT71260)
Computer a batteria MT 5000iQ con shunt da 100 A, 200 A o 400 A	9620000129 (MT01262), 9620000218 (MT01265), 9620000303 (MT01268)
Adattatori poli rotondi	9620000338 (MT12102)

## Destinatari



L'installazione elettrica e la configurazione dell'apparecchio devono essere eseguite da un elettricista qualificato che abbia dimostrato competenze e conoscenze relative alla costruzione e al funzionamento delle apparecchiature elettriche e alle installazioni, e che conosca le normative vigenti nel Paese in cui l'apparecchiatura deve essere installata e/o utilizzata e abbia ricevuto una formazione sulla sicurezza per identificare ed evitare i pericoli coinvolti.

Tutte le altre azioni sono destinate anche agli utenti non professionali.

## Destinazione d'uso

L'apparecchio è stato progettato per accumulare energia elettrica per camper, veicoli ricreazionali, applicazioni marine e da campeggio.

## Descrizione delle caratteristiche tecniche

Le batterie al litio MT sono composte da 4 blocchi in serie con celle tubolari LiFePO4 a commutazione parallela.

Le batterie al litio MT sono dotate di un sistema di gestione della batteria integrato nell'alloggiamento della batteria.

Il sistema di gestione della batteria è un apparecchio elettronico passivo che non consuma energia e protegge la batteria da scaricamento completo, sovraccaricamento, sovratemperatura e assicura il bilanciamento delle celle di tutti i blocchi commutati in serie durante la carica.

Nella modalità di protezione di sicurezza, la batteria si spegne temporaneamente finché l'interferenza persiste e si riaccende automaticamente in condizioni normali o al momento della ricarica.

# Installazione della batteria al litio



## AVVISO! Rischio di danni

- L'installazione può essere eseguita solo da un elettricista qualificato.
- Assicurarsi che non possa penetrare acqua nella batteria al litio e che la batteria non si sporchi.
- Non utilizzare una batteria al litio se presenta danni meccanici.
- I terminali della batteria non devono entrare in contatto con oggetti elettroconduttivi.
- Non collegare mai i cavi di collegamento con la polarità invertita. Osservare il contrassegno (+) per il positivo e (-) per il negativo.
- Tutti i cavi da o verso la batteria devono essere protetti installando un fusibile approvato per la sezione del cavo collegato.
- Il collegamento del polo della batteria deve essere serrato saldamente e il collegamento deve essere effettuato in base all'assorbimento di corrente.



## AVVISO! Rischio di danni

- Le batterie al litio di marche, capacità, dimensioni o tipo diversi non devono essere collegate tra loro.
- Non utilizzare mai batterie con terminali corrosi.
- Le batterie al litio devono essere installate in un ambiente riscaldato.

- Rimuovere il blocco per il trasporto prima di installare la batteria (fig. **1**, pagina 3).
- La posizione di installazione preferita della batteria è in verticale, ma può anche essere disposta in orizzontale se i terminali sono rivolti verso l'alto (fig. **5**, pagina 4).
- La batteria al litio deve essere fissata per evitare che scivoli e si ribalti. A tale scopo, fissare la batteria con gli ausili forniti nel veicolo.
- Collegare sempre prima il cavo positivo, quindi quello negativo.
- È possibile collegare in parallelo fino ad un massimo di 4 batterie al litio (12 V).

- È possibile collegare in serie fino ad un massimo di 2 batterie al litio (24 V).



## AVVISO! Rischio di danni

Prima di collegare le batterie, è necessario caricarle separatamente in modo completo. Il collegamento delle batterie in parallelo o in serie è consentito solo se la differenza di tensione tra le batterie è inferiore a 50 mV.

Le batterie al litio sono dotate di due connettori aggiuntivi, uno per utilizzare i sensori di temperatura interna e un altro per le opzioni del regolatore di carica dedicato.

### Connettore a 6 pin fig. **2**, pagina 3

#### Descrizione

Terminali <b>A</b>	Sensore di temperatura per MT CAC, BCB, LB o regolatore di carica solare
Terminali <b>B</b>	Sensore di temperatura per MT CAC, BCB, LB o regolatore di carica solare
Terminali <b>C</b>	Sensore di temperatura per MT ICC o regolatore di carica solare

- È possibile collegare a ciascun sensore interno un solo apparecchio MT.
- Se le batterie sono collegate in parallelo, utilizzare un solo sensore di temperatura da un terminale batteria **A**.
- Se il caricabatterie è di un altro fabbricante, lasciare questi connettori vuoti.

### Connettore a 4 pin fig. **3**, pagina 3

#### Descrizione

Terminale 1	Segnale di ingresso dello stato di commutazione della batteria.
Terminale 2	Riservato per scopi di assistenza.
Terminale 3	Uscita per piccole utenze, può essere caricata con un massimo di 150 mA
Terminale 4	Sensore di tensione





### AVVISO!

Alla consegna la batteria è bloccata con un blocco per il trasporto (fig. 1, pagina 3) e non può essere caricata con i pin 1 e 3 in cortocircuito sul connettore a 4 pin e tutti gli interruttori DIP su Off (impostazione predefinita).

## Configurazione della batteria

Gli interruttori DIP si trovano dietro l'adesivo **SETUP** (fig. 4, pagina 4).



### NOTA

Impostazioni predefinite per gli interruttori DIP:

- Per la batteria singola: tutti gli interruttori sono **off**.
- Per parte del kit Power Unit: tutti gli interruttori sono **on**.

### Modalità di ingresso del segnale

DIP 1	DIP 2	Descrizione
OFF	OFF	Interrompe la carica e la scarica se viene fornito il segnale positivo a 12 V al terminale 1 del connettore a 4 pin. Nessun segnale sul terminale 1 per la funzione completa sulla batteria.
ON	OFF	Interrompe la carica e la scarica se non viene fornito alcun segnale al terminale 1 del connettore a 4 pin. Segnale a 12 V sul terminale 1 per la funzione completa sulla batteria.

DIP 1	DIP 2	Descrizione
OFF	ON	Interrompe la carica se viene fornito il segnale a 12 V al terminale 1 del connettore a 4 pin, lo scaricamento è comunque possibile. Nessun segnale sul terminale 1 per la funzione completa sulla batteria.
ON	ON	Interrompe la carica se non viene fornito alcun segnale al terminale 1 del connettore a 4 pin, lo scaricamento è comunque possibile. Segnale a 12 V sul terminale 1 per la funzione completa sulla batteria.

### Protezione della carica

DIP 3	Descrizione
OFF	È in uso un caricabatterie di un altro fabbricante.
ON	È in uso un caricabatterie Büttner/Dometic e sono collegati i connettori a 4 e a 6 pin.

## Ricarica della batteria al litio

La ricarica della batteria al litio può essere eseguita solo utilizzando un caricabatterie IUoU con riduzione della corrente di carica a temperatura controllata. La tensione di carica di assorbimento è di 14,4 V, la tensione di mantenimento è di 13,6 V e solo 12,8 V al di sotto di -20 °C e al di sopra di 50 °C. Tra 0 °C e -20 °C deve essere applicata una corrente di carica di soli 0,05 °C.

### Caricabatterie consigliati dal fabbricante

Per il funzionamento a motore spento:

- MT PL 1225 - MT PL 1250
- MT 1215 - MT 1260
- Tutti i caricabatterie solari PP e MPP con curva caratteristica delle batterie al litio

Per l'uso mobile con caricabatterie con monitoraggio della temperatura dall'alternatore:

- Booster di carica LB 30 -LB 90 con curva caratteristica delle batterie al litio
- Booster di controllo della batteria da BCB 25/20 a BCB 60/40 con curva caratteristica delle batterie al litio

Combinazione inverter/caricatore:

- ICC 1600 SI-N/60 A e ICC 3000 SI-N/120 A



### AVVISO! Rischio di danni

La carica della batteria al litio può essere eseguita solo utilizzando un caricabatterie con curva caratteristica di carica delle batterie al litio.



### NOTA

Si consiglia vivamente di utilizzare un dispositivo di controllo automatico della batteria insieme alla batteria LiFePO4.

## Pulizia e cura

Le batterie al litio non richiedono manutenzione.

- Pulire di tanto in tanto il prodotto con un panno umido.

## Risoluzione dei problemi

Guasto	Possibile causa	Soluzione
Nessuna tensione di uscita sul terminale della batteria	La batteria è bloccata.	Rimuovere il blocco per il trasporto (fig. 1, pagina 3).
	Impostazioni dell'interruttore DIP errate.	Impostare l'ordine corretto degli interruttori DIP. (capitolo "" a pagina 32)
	Polarità del cablaggio errata.	Collegare correttamente la batteria.
	Bassa tensione della batteria.	Caricare la batteria per almeno 24 ore.
	Batteria surriscaldata.	Attendere 30 minuti per far raffreddare la batteria e permetterle di resettarsi.
	Cortocircuito o sovraccarico nel circuito della batteria.	Collegare il blocco per il trasporto, attendere 10 secondi e rimuovere la spina per il trasporto.
		Scollegare tutti i cavi dalla batteria, attendere 10 secondi e ricollegare i cavi.
	Caricare la batteria per resettarla.	

Guasto	Possibile causa	Soluzione
Non è possibile ricaricare la batteria.	Impostazioni dell'interruttore DIP errate.	Impostare l'ordine corretto degli interruttori DIP. (capitolo "" a pagina 32)
	Il connettore del sensore di temperatura è scollegato.	Collegare correttamente il connettore del sensore di temperatura.
	Temperatura della batteria sotto 0 °C.	Riscaldare la batteria.
	Batteria surriscaldata.	Attendere 30 minuti per far raffreddare la batteria e permetterle di resettarsi.
La capacità della batteria sembra ridotta.	Immagazzinamento prolungato	Caricare la batteria per almeno 24 ore.
Nessuna tensione di uscita sull'uscita ausiliaria.	La tensione della batteria si trova sotto i 10 V	Caricare la batteria per almeno 24 ore.
	L'uscita è sovraccarica. (max. 150 mA)	Scollegare i cavi dall'uscita ausiliaria e ridurre il carico. Attendere alcuni minuti per far raffreddare la batteria e ricollegare i cavi.

## Garanzia

Vale il termine di garanzia previsto dalla legge. Se il prodotto è difettoso, contattare il rivenditore di fiducia o la filiale del fabbricante nel proprio Paese (vedi [dometic.com/dealer](http://dometic.com/dealer)).

Per la gestione della riparazione e della garanzia è necessario inviare la seguente documentazione insieme al prodotto:

- Una copia della ricevuta con la data di acquisto,
- Il motivo della richiesta o la descrizione del guasto.


Tenere presente che le riparazioni eseguite in autonomia o da personale non professionista possono avere conseguenze sulla sicurezza e invalidare la garanzia.

## Smaltimento




- Raccogliere il materiale di imballaggio possibilmente negli appositi contenitori di riciclaggio.
- Consultare il centro locale di riciclaggio o il rivenditore specializzato per informazioni su come smaltire il prodotto secondo le norme sullo smaltimento applicabili.
- Gli accumulatori e le batterie non devono essere raccolti insieme ai rifiuti domestici. Consegnare gli accumulatori difettosi o le batterie usate al rivenditore o presso un centro di raccolta.

## Specifiche tecniche

	<b>MT LI 0085</b>	<b>MT LI 0105</b>	<b>MT LI 0120</b>
Tipo di batteria	Litio ferro fosfato/LiFePO4 con BMS integrato		
Tensione di esercizio	12,8 V $\equiv$		
Capienza	85 Ah (C1 @ 20 °C)	105 Ah (C1 @ 20 °C)	120 Ah (C1 @ 20 °C)
Corrente di scarica continua	100 A (200 A < 5 sec.)	160 A (300 A < 5 sec.)	200 A (400 A < 5 sec.)
Corrente di carica consigliata/max.	20 A/50 A	25 A/80 A	30 A/100 A
Corrente di carica (ridotta)	0,05 C		
Curva caratteristica di carica	IUoU per le batterie LiFePO4		
Tensione di fine carica	14,4 V (0,3-1 h)		
Tensione in riposo	13,4 V $\equiv$		
Protezione contro lo scaricamento completo	$\leq 10,5$ V $\equiv$		
Intervallo della temperatura di scaricamento	-20 °C – 60 °C		
Intervallo di temperatura di carica consigliato Corrente di carica - I <sub>max</sub>	0 °C – 45 °C		
Intervallo di temperatura con corrente di carica ridotta	U <sub>cons</sub> =12,8 V sotto -20 °C e sopra 50 °C		
Condizioni ambientali, umidità	Dal 10% al 90% di umidità relativa		
Intervallo della temperatura di carica con corrente di carica ridotta	2000 cicli di carica/scarica con profondità di scarica 100% 3000 cicli di carica/scarica con profondità di scarica 50% 7000 cicli di carica/scarica con profondità di scarica 30%		
Dimensioni (L × A × P) (mm)	278 × 175 × 190	353 × 175 × 190	330 × 172 × 212
Tipo di terminale della batteria	Polo rotondo	Polo rotondo	Bullone a testa esagonale M8 (coppia di serraggio 7-8 Nm)
Peso	10,2 kg	12,7 kg	14,8 kg
Ispezione/certificazione:	UN 38,3 		

	<b>MT LI 0180</b>	<b>MT LI 0240</b>	<b>MT LI 0300</b>
Tipo di batteria	Litio ferro fosfato/LiFePO4 con BMS integrato		
Tensione di esercizio	12,8 V $\equiv$		
Capienza	180 Ah (C1 @ 20 °C)	240 Ah (C1 @ 20 °C)	300 Ah (C1 @ 20 °C)
Corrente di scarica continua	200 A (400 A < 5 sec.)	250 A (550 A < 5 sec.)	300 A (660 A < 5 sec.)
Corrente di carica consigliata/max.	50 A/150 A	60 A/200 A	75 A/250 A

	<b>MT LI 0180</b>	<b>MT LI 0240</b>	<b>MT LI 0300</b>
Corrente di carica (ridotta)	0,05 C		
Curva caratteristica di carica	IUoU per batterie al litio		
Tensione di fine carica	14,4 V (0,3-1 h)		
Tensione in riposo	13,4 V $\approx$		
Protezione contro lo scaricamento completo	$\leq 10,5$ V $\approx$		
Intervallo della temperatura di scaricamento	-20 °C – 60 °C		
Intervallo di temperatura di carica consigliato	0 °C – 45 °C		
Corrente di carica - $I_{max}$			
Intervallo di temperatura con corrente di carica ridotta	-20 °C – 0 °C Sotto $U_{cons}=12,8$ V $\approx$		
Condizioni ambientali, umidità	Dal 10% al 90% di umidità relativa		
Intervallo della temperatura di carica con corrente di carica ridotta	2000 cicli di carica/scarica con profondità di scarica 100% 3000 cicli di carica/scarica con profondità di scarica 50% 7000 cicli di carica/scarica con profondità di scarica 30%		
Dimensioni (L x A x P) (mm)	330 x 172 x 212	520 x 220 x 240	520 x 220 x 270
Tipo di terminale della batteria	Bullone a testa esagonale M8 (coppia di serraggio 7-8 Nm)	Bullone a testa esagonale M8 (coppia di serraggio 7-8 Nm)	Bullone a testa esagonale M8 (coppia di serraggio 7-8 Nm)
Peso	14,8 kg	30,5 kg	38,6 kg
Certificazione	UN 38,3 		

Lees deze gebruiksaanwijzing zorgvuldig door en volg alle instructies, richtlijnen en waarschuwingen in deze handleiding op om ervoor te zorgen dat u het product te allen tijde op de juiste manier installeert, gebruikt en onderhoudt. Deze gebruiksaanwijzing MOET bij dit product bewaard worden.

Door het product te gebruiken, bevestigt u hierbij dat u alle instructies, richtlijnen en waarschuwingen zorgvuldig hebt gelezen en dat u de voorwaarden zoals hierin beschreven begrijpt en accepteert. U gaat ermee akkoord dit product alleen te gebruiken voor het beoogde doel en de beoogde toepassing en in overeenstemming met de instructies, richtlijnen en waarschuwingen zoals beschreven in deze gebruiksaanwijzing en in overeenstemming met de geldende wet- en regelgeving. Het niet lezen en opvolgen van de hierin beschreven instructies en waarschuwingen kan leiden tot letsel voor uzelf en anderen, schade aan uw product of schade aan andere eigendommen in de omgeving. Deze gebruiksaanwijzing, met inbegrip van de instructies, richtlijnen en waarschuwingen, en de bijbehorende documentatie kan onderhevig zijn aan wijzigingen en updates. Actuele productinformatie vindt u op [documents.dometic.com](http://documents.dometic.com).

## Inhoud

Verklaring van de symbolen . . . . .	38
Veiligheidsaanwijzingen . . . . .	38
Omvang van de levering . . . . .	39
Accessoires . . . . .	39
Doelgroep . . . . .	39
Beoogd gebruik . . . . .	39
Technische beschrijving . . . . .	40
De lithium-ion-accu plaatsen . . . . .	40
De accu opstellen . . . . .	41
De lithium-ion-accu opladen . . . . .	42
Reiniging en onderhoud . . . . .	42
Problemen oplossen . . . . .	43
Garantie . . . . .	43
Verwijdering . . . . .	44
Technische gegevens . . . . .	44

## Verklaring van de symbolen



### GEVAAR!

**Veiligheidsaanwijzing:** duidt op een gevaarlijke situatie die, indien deze niet wordt voorkomen, leidt tot ernstig letsel of de dood.



### WAARSCHUWING!

**Veiligheidsaanwijzing:** duidt op een gevaarlijke situatie die, indien deze niet wordt voorkomen, kan leiden tot ernstig letsel of de dood.



### VOORZICHTIG!

**Veiligheidsaanwijzing:** duidt op een gevaarlijke situatie die, indien deze niet wordt voorkomen, kan leiden tot licht of matig letsel.



### LET OP!

Duidt op een situatie die, indien deze niet wordt voorkomen, kan leiden tot materiële schade.



### INSTRUCTIE

Aanvullende informatie voor het gebruik van het product.

## Veiligheidsaanwijzingen



**WAARSCHUWING! Het niet in acht nemen van deze waarschuwingen kan leiden tot ernstig letsel of de dood.**

### Gevaar voor elektrische schokken

- Installatie, montage en bedrading en alle andere werkzaamheden mogen alleen worden uitgevoerd door bevoegde elektriciens. Door ondeskundige reparaties kunnen grote gevaren ontstaan.

### Brandgevaar

- Installatie in explosiegevaarlijke omgevingen zoals ruimtes met ontvlambare vloeistoffen of gassen is niet toegestaan.
- Installeer of plaats het apparaat niet in de buurt van open vuur of andere warmtebronnen (verwarming, direct zonlicht, gasovens etc.).

### Gevaar voor de gezondheid

- Installeer en houd het apparaat altijd buiten bereik van kinderen.



**LET OP! Duidt op een situatie die, indien deze niet wordt voorkomen, kan leiden tot materiële schade.**

- Vergelijk de spanningsgegevens op het typeplaatje met de beschikbare energietoevoer.
- Dompel het toestel nooit onder in water.

- Bescherm het toestel en de kabels tegen hitte en vocht.
- Stel het apparaat niet bloot aan regen.

## Veiligheidsmaatregelen bij het gebruik van lithium-ion-accu's



**VOORZICHTIG! Het niet in acht nemen van deze waarschuwingen kan leiden tot licht of matig letsel.**

### Gevaar voor letsel

- Gebruik alleen accu's met geïntegreerd accu-managementsysteem en celbalancerings.



**LET OP! Gevaar voor schade**

- Installeer de accu uitsluitend in omgevingen met een omgevingstemperatuur van ten minste 0 °C.

## Omvang van de levering

Aantal	Beschrijving
1	MT LH-lithium-ion-accu
2	Accuklemadapter (alleen accu's met zeskantpolen M8)
2	Accuklemdop
1	6-polige connector
1	4-polige connector
1	Montagehandleiding en gebruiksaanwijzing

## Accessoires

Beschrijving	SKU
MT iQ BasicPro-accucomputer	9620000287 (MT71260)
MT 5000iQ-accucomputer met shunt 100 A, 200 A of 400 A	9620000129 (MT01262), 9620000218 (MT01265), 9620000303 (MT01268)
Adapters voor ronde polen	9620000338 (MT12102)

## Doelgroep



De elektrische installatie en instelling van het toestel moeten worden uitgevoerd door een bevoegde elektricien die zijn vaardigheden en kennis met betrekking tot de constructie en werking van elektrische apparatuur en installaties heeft bewezen en die vertrouwd is met de van toepassing zijnde regelgeving van het land waarin de apparatuur moet worden geïnstalleerd en/of gebruikt en die een veiligheidstraining heeft gevolgd om de betrokken gevaren te identificeren en te vermijden.

Alle andere handelingen zijn ook bestemd voor niet-professionele gebruikers.

## Beoogd gebruik

Het toestel is bedoeld voor gebruik als opslag van elektrisch vermogen voor campers, campingbussen en maritieme toepassingen.

Dit product is alleen geschikt voor het beoogde gebruik en de toepassing in overeenstemming met deze gebruiksaanwijzing.

Deze handleiding geeft informatie die nodig is voor een correcte installatie en/of correct gebruik van het product. Een slechte installatie en/of onjuist gebruik of onderhoud leidt tot onbevredigende prestaties en mogelijke storingen.

De fabrikant aanvaardt geen aansprakelijkheid voor letsel of schade aan het product als gevolg van:

- Onjuiste montage of aansluiting, inclusief te hoge spanning
- Onjuist onderhoud of gebruik van andere dan door de fabrikant geleverde originele reserveonderdelen
- Wijzigingen aan het product zonder uitdrukkelijke toestemming van de fabrikant
- Gebruik voor andere doeleinden dan beschreven in deze handleiding

Dometic behoudt zich het recht voor om het uiterlijk en de specificaties van het product te wijzigen.

## Technische beschrijving

De MT-lithium-ion-accu's bestaan uit 4 seriële blokken met parallel geschakelde LFP-buiscellen.

De MT-lithium-ion-accu's zijn uitgerust met een accumanagementsysteem dat is ingebouwd in de accubehuizing.

Het accumanagementsysteem is een passief elektronisch apparaat dat geen stroom verbruikt en dat de accu beschermt tegen diepontlading, overlading, oververhitting en dat zorgt voor een goede celbalancering van alle in serie geschakelde blokken tijdens het opladen.

In de veiligheidsbeschermingsmodus wordt de accu tijdelijk uitgeschakeld zolang de storing aanhoudt en wordt deze automatisch weer ingeschakeld onder normale omstandigheden, of tijdens het opladen.

## De lithium-ion-accu plaatsen



### LET OP! Gevaar voor schade

- De installatie mag alleen worden uitgevoerd door een bevoegde electricien.
- Zorg ervoor dat er geen water in de lithium-ion-accu terecht kan komen en dat de accu niet vervuild is.
- Een mechanisch beschadigde lithium-ion-accu mag niet worden gebruikt.
- De accuklemmen mogen niet in contact komen met elektrisch geleidende objecten.
- Sluit de aansluitkabels nooit met omgekeerde polariteit aan. Let op de markering (+) voor plus en (-) voor min.
- Alle kabels van of naar de accu moeten worden beschermd door het aanbrengen van een zekering die is goedgekeurd voor de doorsnede van de aangesloten kabel.
- De accupoolaansluiting moet stevig worden vastgezet en de aansluiting moet worden gemaakt in overeenstemming met de nominale stroomsterkte.



### LET OP! Gevaar voor schade

- Lithium-ion-accu's van verschillende merken, capaciteit, grootte of type mogen niet met elkaar worden verbonden.
- Accu's met gecorrodeerde poolklemmen mogen nooit worden gebruikt.
- De lithium-ion-accu's moeten in een verwarmde omgeving worden geplaatst.

- Verwijder de transportvergrendeling alvorens de accu te plaatsen (afb. **1**, pagina 3).
- De accu wordt bij voorkeur staand gemonteerd, maar kan ook neergelegd worden als de accuklemmen omhoog wijzen (afb. **5**, pagina 4).
- De lithium-ion-accu moet worden beveiligd tegen wegglijden en omvallen. Bevestig de accu hiervoor met de hulpmiddelen in de auto.
- Sluit altijd eerst de pluskabel aan en daarna de minkabel.



- Er kunnen maximaal 4 lithium-ion-accu's parallel worden aangesloten (12 V).
- Er kunnen maximaal 2 lithium-ion-accu's in serie worden aangesloten (24 V).



### LET OP! Gevaar voor schade

Voordat de accu's worden verbonden moeten alle accu's afzonderlijk volledig worden opgeladen. De accu's mogen alleen parallel of in serie worden verbonden als het spanningsverschil tussen de accu's minder dan 50 mV bedraagt.

De lithium-ion-accu's zijn voorzien van twee extra connectors; één voor het gebruik van interne temperatuursensoren en een andere connector voor speciale laadregelaars.

6-polige connector afb. 2, pagina 3	Beschrijving
Klemmen <b>A</b>	Temperatuursensor voor MT CAC, BCB, LB of zonne-energieregelaar
Klemmen <b>B</b>	Temperatuursensor voor MT CAC, BCB, LB of zonne-energieregelaar
Klemmen <b>C</b>	Temperatuursensor voor MT ICC of zonne-energieregelaar

- Slechts één MT-toestel mag worden aangesloten op elke interne sensor.
- Als de accu's parallel worden aangesloten, mag er slechts één temperatuursensor van één klem **A** worden gebruikt.
- Als de acculader van een andere fabrikant is, moeten deze connectors leeg worden gelaten.

4-polige connector afb. 3, pagina 3	Beschrijving
Klem 1	Ingangssignaal voor accuschakelstatus.
Klem 2	Gereserveerd voor servicedoeleinden.

4-polige connector afb. 3, pagina 3	Beschrijving
--	--------------

Klem 3	Uitgang voor kleine verbruikers, kan worden belast met maximaal 150 mA.
--------	---

Klem 4	Spanningssensor.
--------	------------------



### LET OP!

Af fabriek is de accu vergrendeld met een transportvergrendeling (afb. 1, pagina 3) en kan deze niet worden opgeladen als pen 1 en pen 3 zijn kortgesloten op de 4-polige connector en alle DIP-schakelaars zijn uitgeschakeld (standaardinstelling).

## De accu opstellen

De DIP-schakelaars bevinden zich achter de sticker **battery setup** (accuconfiguratie) (afb. 4, pagina 4).



### INSTRUCTIE

De standaardinstellingen voor de DIP-schakelaars zijn als volgt:

- Voor één accu: alle schakelaars zijn **uit**.
- Voor een deel van Power Unit-set: alle schakelaars zijn **aan**.

## Signaalingangsmodus

DIP 1	DIP 2	Beschrijving
OFF	OFF	Onderbreekt het laden en ontladen als er een positief 12V-signaal wordt geleverd aan klem 1 van de 4-polige connector. Geen signaal op klem 1 voor volledige werking op accu.
ON	OFF	Onderbreekt het laden en ontladen als er geen signaal wordt geleverd aan klem 1 van de 4-polige stekker. 12V-signaal op klem 1 voor volledige werking op accu.
OFF	ON	Onderbreekt het laden als er een positief 12V-signaal wordt geleverd aan klem 1 van de 4-polige connector, ontladen is nog mogelijk. Geen signaal op klem 1 voor volledige werking op accu.
ON	ON	Onderbreekt het laden als er geen signaal wordt geleverd aan klem 1 van de 4-polige stekker, ontladen is nog mogelijk. 12V-signaal op klem 1 voor volledige werking op accu.

## Laadbeveiliging

DIP 3	Beschrijving
OFF	Er wordt een acculader van een andere fabrikant gebruikt.
ON	Er wordt een Büttner/Dometic-acculader gebruikt en de 4-polige en 6-polige connectors zijn aangesloten.

## De lithium-ion-accu opladen

Het opladen van de lithium-ion-accu mag alleen worden uitgevoerd met een IUoU-lader met een temperatuurafhankelijke laadstroomreductie. De absorptieaandrijving is 14,4 V, druppelspanning is 13,6 V en slechts 12,8 V onder -20 °C en boven 50 °C. Tussen 0 °C en -20 °C moet de laadstroom van slechts 0,05 C worden toegepast.

### Aanbevolen opladers van de fabrikant

Voor stationair gebruik:

- MT PL 1225 - MT PL 1250
- MT 1215 - MT 1260
- Alle PP- en MPP-opladers voor zonne-energie met laadkarakteristiek voor lithium-ion-accu's

Voor mobiel gebruik met laders met temperatuurbewaking van de dynamo:

- Laadbooster LB 30 - LB 90 met laadkarakteristiek voor lithium-ion-accu's
- Battery Control Booster BCB 25/20 tot BCB 60/40 met laadkarakteristiek voor lithium-ion-accu's

Combinatie van omvormer en oplader:

- ICC 1600 SI-N/60 A en ICC 3000 SI-N/120 A



### LET OP! Gevaar voor schade

Het opladen van de lithium-ion-accu mag alleen worden uitgevoerd met een oplader met laadkarakteristiek voor lithium-ion-accu's.



### INSTRUCTIE

Het wordt sterk aanbevolen om een accumonitor te gebruiken in combinatie met de LFP-accu.

## Reiniging en onderhoud

De lithium-ion-accu's zijn onderhoudsvrij.

- Reinig het product af en toe met een vochtige doek.

# Problemen oplossen

Fout	Mogelijke oorzaak	Oplossing
Geen uitgangsspanning op accuklem	Accu is vergrendeld.	Verwijder de transportvergrendeling (afb. 1, pagina 3).
	Onjuiste DIP-schakelaar-instellingen.	Stel de juiste DIP-schakelaarvolgorde in. (hoofdstuk „” op pagina 41)
	Verkeerde polariteit van de bedrading.	Sluit de accu correct aan.
	Lage accuspanning.	Laad de accu minimaal 24 uur op.
	Accu oververhit.	Wacht 30 minuten om de accu af te koelen en zichzelf te resetten.
	Accu kortgesloten of overbelast.	Sluit de transportvergrendeling aan, wacht 10 seconden en verwijder de transportplug.  Koppel alle kabels van de accu los, wacht 10 seconden en sluit de kabels weer aan.  Laad de accu op om deze te resetten.
De accu kan niet worden opgeladen.	Onjuiste DIP-schakelaar-instellingen.	Stel de juiste DIP-schakelaarvolgorde in. (hoofdstuk „” op pagina 41)
	De stekker van de temperatuursensor is losgekoppeld.	Sluit de temperatuursensor correct aan.
	Accutemperatuur onder 0 °C.	Warm de accu op.
	Accu oververhit.	Wacht 30 minuten om de accu af te koelen en zichzelf te resetten.
De accucapaciteit lijkt te zijn afgenomen.	Lange opslag.	Laad de accu minimaal 24 uur op.
Geen uitgangsspanning op de hulpuitgang.	De accuspanning is lager dan 10 V	Laad de accu minimaal 24 uur op.
	Uitgang is overbelast. (max. 150 mA)	Koppel de kabels los van de hulpuitgang en verminder de belasting. Wacht enkele minuten tot de accu is afgekoeld en sluit de kabels weer aan.

## Garantie

De wettelijke garantieperiode is van toepassing. Als het product defect is, neem dan contact op met de detailhandel of met het filiaal van de fabrikant in uw land (zie [dometic.com/dealer](http://dometic.com/dealer)).

Stuur voor de afhandeling van reparaties of garantie de volgende documenten mee:

- Een kopie van de factuur met datum van aankoop

- De reden voor de claim of een beschrijving van de fout

Houd er rekening mee dat eigenmachtige of niet-professionele reparatie gevolgen voor de veiligheid kan hebben en dat de garantie hierdoor kan komen te vervallen.


## Verwijdering




- ▶ Gooi het verpakkingsmateriaal indien mogelijk altijd in recyclingafvalbakken.
- ▶ Vraag het dichtstbijzijnde recyclingcentrum of uw dealer naar informatie over hoe het product kan worden weggegooid in overeenstemming met alle van toepassing zijnde nationale en lokale regelgeving.
- ▶ Accu's en batterijen horen niet thuis in het huishoudelijke afval. Geef uw defecte accu's of verbruikte batterijen af bij de leverancier of bij een verzamelpunt.

## Technische gegevens

	MT LI 0085	MT LI 0105	MT LI 0120
Accutype	Lithium-ijzerfosfaat/LFP met geïntegreerd BMS		
Bedrijfspanning	12,8 V $\equiv$		
Capaciteit	85 Ah (C1 @ 20 °C)	105 Ah (C1 @ 20 °C)	120 Ah (C1 @ 20 °C)
Continue ontladstroom	100 A (200 A < 5 s)	160 A (300 A < 5 s)	200 A (400 A < 5 s)
Laadstroom aanbevolen/max.	20 A/50 A	25 A/80 A	30 A/100 A
Laadstroom (gereduceerd)	0,05 C		
Laadkarakteristiek	IUoU voor LFP-accu's		
Eindlaadspanning	14,4 V (0,3–1 uur)		
Nullastspanning	13,4 V $\equiv$		
Bescherming tegen diepontlading	$\leq 10,5$ V $\equiv$		
Laadtemperatuurbereik	-20 °C tot 60 °C		
Aanbevolen laadtemperatuurbereik	0 °C tot 45 °C		
Laadstroom - $I_{\max}$			
Temperatuurbereik laadstroomreductie	$U_{\text{cons}}=12,8$ V onder -20 °C en boven 50 °C		
Omgevingsomstandigheden, vochtigheid	10% tot 90% relatieve luchtvochtigheid		
Laadtemperatuurbereik met gereduceerde laadstroom	2000 laad-/ontlaadcycli bij 100% DOD 3000 laad-/ontlaadcycli bij 50% DOD 7000 laad-/ontlaadcycli bij 30% DOD		
Afmetingen (b x h x d) (mm)	278 x 175 x 190	353 x 175 x 190	330 x 172 x 212
Type accuklem	Ronde pool	Ronde pool	Zeskantbout M8 (aanhaalmoment 7–8 Nm)

	<b>MT LI 0085</b>	<b>MT LI 0105</b>	<b>MT LI 0120</b>
Gewicht	10,2 kg	12,7 kg	14,8 kg
Keuring/certificering:	UN38,3 		

	<b>MT LI 0180</b>	<b>MT LI 0240</b>	<b>MT LI 0300</b>
Accutype	Lithium-ijzerfosfaat/LFP met geïntegreerd BMS		
Bedrijfspanning	12,8 V <sup>---</sup>		
Capaciteit	180 Ah (C1 @ 20 °C)	240 Ah (C1 @ 20 °C)	300 Ah (C1 @ 20 °C)
Continue ontladstroom	200 A (400 A < 5 s)	250 A (550 A < 5 s)	300 A (660 A < 5 s)
Laadstroom aanbevolen/max.	50 A /150 A	60 A /200 A	75 A /250 A
Laadstroom (gereduceerd)	0,05 C		
Laadkarakteristiek	IUoU voor lithium-ion-accu's		
Eindlaadspanning	14,4 V (0,3-1 uur)		
Nullastspanning	13,4 V <sup>---</sup>		
Bescherming tegen diepontlading	≤ 10,5 V <sup>---</sup>		
Laadtemperatuurbereik	-20 °C tot 60 °C		
Aanbevolen laadtemperatuurbereik Laadstroom - I <sub>max</sub>	0 °C tot 45 °C		
Temperatuurbereik laadstroomreductie	-20 °C tot 0 °C Onder U <sub>cons</sub> =12,8 V <sup>---</sup>		
Omgevingsomstandigheden, vochtigheid	10% tot 90% relatieve luchtvochtigheid		
Laadtemperatuurbereik met gereduceerde laadstroom	2000 laad-/ontlaadcycli bij 100% DOD 3000 laad-/ontlaadcycli bij 50% DOD 7000 laad-/ontlaadcycli bij 30% DOD		
Afmetingen (b × h × d) (mm)	330 × 172 × 212	520 × 220 × 240	520 × 220 × 270
Type accuklem	Zeskantbout M8 (aan- haalmoment 7-8 Nm)	Zeskantbout M8 (aan- haalmoment 7-8 Nm)	Zeskantbout M8 (aan- haalmoment 7-8 Nm)
Gewicht	14,8 kg	30,5 kg	38,6 kg
Certificering	UN38,3 		

Læs og følg alle disse anvisninger, retningslinjer og advarsler i denne produktvejledning grundigt for at sikre, at du altid installerer, bruger og vedligeholder produktet korrekt. Disse anvisninger SKAL opbevares sammen med dette produkt.

Ved at benytte produktet bekræfter du hermed, at du har læst alle anvisninger, retningslinjer og advarsler grundigt, og at du forstår og er indforstået med de vilkår og betingelser, der er fastlagt heri. Du er indforstået med kun at bruge dette produkt til det beregnede formål og anvendelse i overensstemmelse med anvisningerne, retningslinjerne og advarslerne i denne produktvejledning samt i overensstemmelse med alle de gældende love og forskrifter. Manglende læsning og ignorering af disse anvisninger og advarsler kan medføre kvæstelser på dig selv og andre, skade på dit produkt eller skade på anden ejendom i nærheden. Der tages forbehold for eventuelle ændringer og opdateringer af denne produktvejledning samt anvisningerne, retningslinjerne og advarslerne samt den tilhørende dokumentation. Se documents.dometic.com for de nyeste produktinformationer.

## Indhold

Forklaring af symboler . . . . .	46
Sikkerhedshenvisninger . . . . .	46
Leveringsomfang . . . . .	47
Tilbehør . . . . .	47
Målgruppe . . . . .	47
Korrekt brug . . . . .	47
Teknisk beskrivelse . . . . .	47
Montering af litiumbatteriet . . . . .	48
Opsætning af batteriet . . . . .	49
Opladning af litiumbatteriet . . . . .	49
Rengøring og vedligeholdelse . . . . .	50
Udbedring af fejl . . . . .	50
Garanti . . . . .	51
Bortskaffelse . . . . .	51
Tekniske data . . . . .	51

## Forklaring af symboler



### FARE!

**Sikkerhedshenvisning:** Angiver en farlig situation, som medfører dødsfald eller alvorlig kvæstelse, såfremt den ikke undgås.



### ADVARSEL!

**Sikkerhedshenvisning:** Angiver en farlig situation, som kan medføre dødsfald eller alvorlig kvæstelse, såfremt den ikke undgås.



### FORSIGTIG!

**Sikkerhedshenvisning:** Angiver en farlig situation, som kan medføre mindre eller lette kvæstelser, såfremt den ikke undgås.



### VIGTIGT!

Angiver en situation, som kan medføre materielle skader, såfremt den ikke undgås.



### BEMÆRK

Supplerende oplysninger om betjening af produktet.

## Sikkerhedshenvisninger



**ADVARSEL! Manglende overholdelse af disse advarsler kan medføre dødelige eller alvorlige kvæstelser.**

### Fare for elektrisk stød

- Installation, montering og ledningsføring samt alt andet arbejde må kun udføres af kvalificerede elektrikere. Ved ukorrekte reparationer kan der opstå alvorlige farer.

### Brandfare

- Installation i potentielt eksplosive områder som f.eks. rum med brændbare væsker eller gasser, er ikke tilladt.
- Apparatet må ikke installeres eller opbevares i nærheden af åben ild eller andre varmekilder (varmeapparater, stærk sol, gasovne osv.).

### Sundhedsfare

- Installér og hold altid apparatet uden for børns rækkevidde.



**VIGTIGT! Angiver en situation, som kan medføre materielle skader, såfremt den ikke undgås.**

- Kontrollér, at spændingsangivelsen på typeskiltet svarer til den fra energiforsyningen.
- Dyp aldrig apparatet i vand.
- Beskyt apparatet og kablerne mod varme og fugtighed.

- Apparatet må ikke udsættes for regnvejr.

## Sikkerhedsforanstaltninger ved håndtering af litiumbatterier



**FORSIGTIG! Manglende overholdelse af disse forsigtighedshenvisninger kan medføre mindre eller moderate kvæstelser.**

### Fare for kvæstelser

- Brug kun batterier med integreret batterimanagementsystem og cellebalancering.



**VIGTIGT! Fare for beskadigelse**

- Du må kun installere batteriet i omgivelser med en udenomstemperatur på mindst 0 °C.

## Leveringsomfang

Antal	Beskrivelse
1	MT Li-litiumbatteri
2	Batteriklemmeadapter (kun batterier med sekskantede M8-klemmehoveder)
2	Batteriklemmeafdækning
1	6-benet stik
1	4-benet stik
1	Monterings- og betjeningsvejledning

## Tilbehør

Beskrivelse	SKU
MT iQ BasicPro battericomputer	9620000287 (MT71260)
MT 5000iQ battericomputer med 100 A, 200 A eller 400 A shunt	9620000129 (MT01262), 9620000218 (MT01265), 9620000303 (MT01268)
Runde poladaptere	9620000338 (MT12102)

## Målgruppe



Den elektriske installation og opsætning af apparatet skal udføres af en kvalificeret elektriker, som har godtgjort sine evner og sit kendskab med henblik på konstruktion og betjening af elektrisk udstyr og installationer, og som er bekendt med de gældende nationale forskrifter, hvor udstyret skal installeres og/eller anvendes, og som har modtaget sikkerhedsuddannelse med henblik på at kunne identificere og undgå de involverede farer.

Alle andre handlinger er også beregnet til ikke-professionelle brugere.

## Korrekt brug

Apparatet er beregnet til at blive anvendt til lagring af elektrisk strøm til autocampere, fritidskøretøjer, camping og både.

## Teknisk beskrivelse

MT-litiumbatterier består af 4 serielle blokke med parallelt koblede LiFePO<sub>4</sub>-rørceller.

MT-litiumbatterier er udstyret med et batterimanagementsystem, som er indbygget i batterihuset.

Batterimanagementsystemet er en passiv elektronisk anordning, der ikke forbruger effekt, og som beskytter batteriet mod dybafledning, overopladning, overtemperatur og som sikrer cellebalancering for alle serielt koblede blokke under opladningen.

På sikkerhedsbeskyttelsesmodus slukkes batteriet midlertidigt, så længe der findes en forstyrrelse, og det tændes igen automatisk under normale forhold hhv. når der oplades.

# Montering af litiumbatteriet



## VIGTIGT! Fare for beskadigelse

- Monteringens må kun udføres af en kvalificeret elektriker.
- Sørg for at sikre, at der ikke kan løbe vand ind i litiumbatteriet, og at batteriet ikke er tilsmudset.
- Du må ikke bruge et litiumbatteri, der har en mekanisk skade.
- Batteriklemmerne må ikke komme i kontakt med elektrisk ledende genstande.
- Du må aldrig tilslutte tilslutningskablerne med forkert polaritet. Overhold mærkningen (+) for positiv og (-) for negativ.
- Alle kabler til eller fra batteriet skal beskyttes ved at installere en sikring, der er godkendt til det tilsluttede kabeltværsnit.
- Batteriets poltilslutning skal spændes sikkert, og tilslutningen skal foretages iht. den nominelle strøm.



## VIGTIGT! Fare for beskadigelse

- Litiumbatterier fra forskellige mærker, med forskellige kapacitet, størrelse eller type må ikke tilsluttes sammen med hinanden.
- Du må aldrig benytte batterier med korroderede klemmer.
- Litiumbatterierne skal monteres i opvarmede omgivelser.

- ▶ Fjern transportlåsen, før batteriet monteres (fig. 1, side 3).
- ▶ Batteriets foretrukne monteringsposition er stående, men det kan også ligge ned, hvis klemmerne vender opad (fig. 5, side 4).
- ▶ Litiumbatteriet skal sikres mod at glide og vælte. For at gøre dette skal du spænde batteriet fast med de hjælpemidler, der findes i køretøjet.
- ▶ Tilslut altid det positive kabel først, derefter det negative kabel.
- Der kan maksimalt tilsluttes 4 litiumbatterier parallelt (12 V).
- Der kan maksimalt tilsluttes 2 litiumbatterier i serie (24 V).



## VIGTIGT! Fare for beskadigelse

Før batterierne forbindes med hinanden, skal alle batterier lades separat helt op. Tilslutningen af batterierne parallelt eller serielt er kun tilladt, hvis spændingsforskellen mellembatterierne er under 50 mV.

Litiumbatterierne er udstyret med to ekstra stik, et til interne temperaturfølere, og et andet stik til muligheder for at styre opladeren.

### 6-benet stik fig. 2, side 3

#### Beskrivelse

Klemmer <b>A</b>	Temperaturføler til MT CAC, BCB, LB eller solcellestyring
Klemmer <b>B</b>	Temperaturføler til MT CAC, BCB, LB eller solcellestyring
Klemmer <b>C</b>	Temperaturføler til MT ICC eller solcellestyring

- Der må kun tilsluttes et MT-apparat til hver intern sensor.
- Hvis batterierne er tilsluttet parallelt, må der kun anvendes en temperaturføler fra en batteriklemme **A**.
- Hvis batteriladeren stammer fra en anden producent, skal disse stik være ledige.

### 4-benet stik fig. 3, side 3

#### Beskrivelse

Klemme 1	Indgangssignal til batteriskiftestatus.
Klemme 2	Reserveret til serviceformål.
Klemme 3	Udgang til små forbrugere, kan belastes med maksimalt 150 mA
Klemme 4	Spændingssensor





### VIGTIGT!

Ved leveringen er batteriet låst med en transportlås (fig. 1, side 3) og kan ikke oplades med stikben 1 og stikben 3 kortsluttet på det 4-benede stik og alle DIP-omskiftere er frakoblede (fabriksindstilling).

## Opsætning af batteriet

DIP-omskifterne findes bag mærkaten **Batterio-psætning** (fig. 4, side 4).



### BEMÆRK

Fabriksindstillingerne for DIP-omskifterne:

- Ved enkelt batteri: Alle omskiftere er på **Fra**.
- Ved del af et power unit-sæt: Alle omskiftere er på **Til**.

## Signalindgangsmodus

DIP 1	DIP 2	Beskrivelse
OFF	OFF	Afbryder opladningen og aflader, såfremt det positive 12 V-signal forsynes på klemme 1 på det 4-benede stik. Intet signal på klemme 1 for fuld funktion på batteriet.
ON	OFF	Afbryder opladningen og aflader, såfremt der ikke noget signal forsynes på klemme 1 på det 4-benede stik. 12 V-signal på klemme 1 for fuld funktion på batteriet.
OFF	ON	Afbryder opladningen, hvis 12 V-signalet forsynes på klemme 1 på det 4-benede stik, afladning er stadig muligt. Intet signal på klemme 1 for fuld funktion på batteriet.

DIP 1	DIP 2	Beskrivelse
ON	ON	Afbryder opladningen, såfremt der ikke noget signal forsynes på klemme 1 på det 4-benede stik, afladning er stadig muligt. 12 V-signal på klemme 1 for fuld funktion på batteriet.

## Ladebeskyttelse

DIP 3	Beskrivelse
OFF	Der anvendes en batterilader fra en anden producent.
ON	Der anvendes en Büttner/Dometic batterilader, og de 4-benede og 6-benede stik er tilsluttede.

## Opladning af litiumbatteriet

Opladningen af litiumbatteriet må kun udføres med en IUoU-lader med temperaturstyret lade-strømsreduktion. Absorptionsladespændingen er 14,4 V, vedligeholdelsesspændingen er på 13,6 V og kun 12,8 V under -20 °C og over 50 °C. Mellem 0 °C og -20 °C skal der kun anvendes ladespænding på 0,05 C.

### Anbefalede ladere fra producenten

Til stationær brug:

- MT PL 1225 - MT PL 1250
- MT 1215 - MT 1260
- Alle PP- og MPP-solcelleladere med litiumbatteri-karakteristik

Til mobil brug med temperaturovervågede ladere fra generatoren:

- Ladebooster LB 30 -LB 90 med litiumbatteri-karakteristik
- Batteristyrebooster BCB 25/20 op til BCB 60/40 med litiumbatteri-karakteristik

Inverter-oplader-kombination:

- ICC 1600 SI-N/60 A og ICC 3000 SI-N/120 A

**VIGTIGT! Fare for beskadigelse**

Litiumbatteriopladningen kan udføres med en lader med litiumbatteri-ladekarakteristik.

**BEMÆRK**

Det anbefales på det kraftigste at benytte en batteriovervågning sammen med LiFePO4-batteriet.

## Rengøring og vedligeholdelse

Litiumbatterier er vedligeholdelsesfrie.

► Rengør af og til produktet med en fugtig klud.

## Udbedring af fejl

Fejl	Mulig årsag	Løsning
Ingen udgangsspænding på batteriklemmen	Batteriet er låst.	Fjern transportlåsen (fig. <b>1</b> , side 3).
	Forkerte indstillinger af DIP-omskiftere.	Indstil den korrekte skifterækkefølge for DIP-omskifterne. (kapitlet „“ på side 48)
	Forkert ledningspolaritet.	Tilslut batteriet korrekt.
	Lav batterispænding.	Oplad batteriet i mindst 24 h.
	Batteri overophedet.	Vent i 30 minutter for at køle batteriet ned og så det nulstiller sig selv.
Ikke muligt at genoplade batteriet.	Batterikreds kortsluttet eller overbelastet.	Sæt transportlåsen i, vent i 10 sekunder, og fjern derefter transportlåsen.  Afbryd alle kabler fra batteriet, vent i 10 sekunder, og tilslut kablerne igen.  Oplad batteriet for at nulstille.
	Forkerte indstillinger af DIP-omskiftere.	Indstil den korrekte skifterækkefølge for DIP-omskifterne. (kapitlet „“ på side 48)
	Temperaturfølerstikket er ikke sat i.	Tilslut temperaturføleren korrekt.
	Batteritemperatur under 0 °C	Opvarm batteriet.
Batterikapaciteten lader til at være nedsat.	Batteri overophedet.	Vent i 30 minutter for at køle batteriet ned og så det nulstiller sig selv.
	Lang opbevaring	Oplad batteriet i mindst 24 h.

Fejl	Mulig årsag	Løsning
Ingen udgangsspænding på hjælpeudgangen.	Batterispændingen ligger under 10 V.	Oplad batteriet i mindst 24 h.
	Udgangen er overbelastet. (maks. 150 mA)	Afbryd kablerne fra hjælpeudgangen, og sænk lasten. Vent et par minutter på, at batteriet køler ned, og tilslut derefter kablerne igen.

## Garanti

Den lovbestemte garantiperiode gælder. Hvis produktet er defekt, bedes du kontakte din forhandler eller producentens afdeling i dit land (se [dometic.com/dealer](http://dometic.com/dealer)).

Ved reparation eller krav om garanti skal du medsende følgende bilag:

- En kopi af regningen med købsdato
- En reklamationsgrund eller en fejlbeskrivelse.

Vær opmærksom på, at egne eller uprofessionelle reparationer kan have sikkerhedsmæssige konsekvenser og kan gøre garantien ugyldig.


## Bortskaffelse




- Bortskaf så vidt muligt emballagen i affaldscontainerne til den pågældende type genbrugsaffald.
- Kontakt en lokal genbrugsstation eller din faghandel for at få de pågældende forskrifter om, hvordan du bortskaffer produktet i overensstemmelse med disse gældende forskrifter for bortskaffelse.
- Genopladelige og ikke-genopladelige batterier hører ikke til i husholdningsaffaldet. Aflever defekte genopladelige batterier og brugte batterier hos forhandleren eller på et indsamlingssted.

## Tekniske data

	MT LI 0085	MT LI 0105	MT LI 0120
Batteritype	Litium-jern-fosfat/LiFePO4 med integreret BMS		
Driftsspænding	12,8 V $\overline{=}$		
Indhold	85 Ah (C1 @ 20 °C)	105 Ah (C1 @ 20 °C)	120 Ah (C1 @ 20 °C)
Kontinuerlig afladningsstrøm	100 A (200 A < 5 sek.)	160 A (300 A < 5 sek.)	200 A (400 A < 5 sek.)
Anbefalet/maks. ladestrøm	20 A/50 A	25 A/80 A	30 A/100 A
Ladestrøm (reduceret)	0,05 C		
Ladekaraktistikker	IUoU til LiFePO4-batterier		
Slut på ladespænding	14,4 V (0,3–1 h)		
Tomgangsspænding	13,4 V $\overline{=}$		
Beskyttelse mod dybafledning	$\leq 10,5$ V $\overline{=}$		
Temperaturområde for afladning	-20 °C til 60 °C		
Anbefalet ladetemperaturområde	0 °C til 45 °C		
Ladestrøm - $I_{maks.}$			
Reduceret ladestrøm, temperaturområde	$U_{cons} = 12,8$ V under -20 °C og over 50 °C		

	<b>MT LI 0085</b>	<b>MT LI 0105</b>	<b>MT LI 0120</b>
Omgivelsesforhold, luftfugtighed	10 % til 90 % relativ luftfugtighed		
Ladetemperaturråde med reduceret lade-strøm	2000 lade-/afladningscyklusser ved 100 % DOD 3000 lade-/afladningscyklusser ved 50 % DOD 7000 lade-/afladningscyklusser ved 30 % DOD		
Mål (B × H × D) (mm)	278 × 175 × 190	353 × 175 × 190	330 × 172 × 212
Batteriklemmetype	Rund pol	Rund pol	M8 sekskantskrue (til-spændingsmoment 7–8 Nm)
Vægt	10,2 kg	12,7 kg	14,8 kg
Godkendelse/certifikat:	UN38,3 		

	<b>MT LI 0180</b>	<b>MT LI 0240</b>	<b>MT LI 0300</b>
Batteritype	Litium-jern-fosfat/LiFePO4 med integreret BMS		
Driftsspænding	12,8 V $\equiv$		
Indhold	180 Ah (C1 @ 20 °C)	240 Ah (C1 @ 20 °C)	300 Ah (C1 @ 20 °C)
Kontinuerlig afladningsstrøm	200 A (400 A < 5 sek.)	250 A (550 A < 5 sek.)	300 A (660 A < 5 sek.)
Anbefalet/maks. lade-strøm	50 A /150 A	60 A /200 A	75 A /250 A
Lade-strøm (reduceret)	0,05 C		
Lade-karakteristikker	IUoU for litiumbatterier		
Slut på ladespænding	14,4 V (0,3–1 h)		
Tomgangsspænding	13,4 V $\equiv$		
Beskyttelse mod dybafledning	≤ 10,5 V $\equiv$		
Temperaturråde for afladning	-20 °C til 60 °C		
Anbefalet ladetemperaturråde	0 °C til 45 °C		
Lade-strøm - I <sub>maks.</sub>			
Reduceret lade-strøm, temperaturråde	-20 °C til 0 °C Under U <sub>cons</sub> = 12,8 V $\equiv$		
Omgivelsesforhold, luftfugtighed	10 % til 90 % relativ luftfugtighed		
Ladetemperaturråde med reduceret lade-strøm	2000 lade-/afladningscyklusser ved 100 % DOD 3000 lade-/afladningscyklusser ved 50 % DOD 7000 lade-/afladningscyklusser ved 30 % DOD		
Mål (B × H × D) (mm)	330 × 172 × 212	520 × 220 × 240	520 × 220 × 270
Batteriklemmetype	M8 sekskantskrue (til-spændingsmoment 7–8 Nm)	M8 sekskantskrue (til-spændingsmoment 7–8 Nm)	M8 sekskantskrue (til-spændingsmoment 7–8 Nm)

	<b>MT LI 0180</b>	<b>MT LI 0240</b>	<b>MT LI 0300</b>
Vægt	14,8 kg	30,5 kg	38,6 kg
Godkendelse	UN38,3 		

Läs och följ noggrant alla instruktioner, direktiv och varningar i den här produkthandboken för att säkerställa att du alltid installerar, använder och underhåller produkten på rätt sätt. Dessa instruktioner MÅSTE förvaras tillsammans med produkten.

Genom att använda produkten bekräftar du härmed att du noggrant har läst alla instruktioner, direktiv och varningar och att du förstår och är införstådd med att följa de villkor som anges här. Du är införstådd med att endast använda denna produkt i avsett syfte och i enlighet med instruktionerna, direktiven och varningarna som anges i denna produktbok samt i enlighet med alla gällande lagar och bestämmelser. Om du inte läser och följer instruktionerna och varningarna som anges här kan det leda till personskador på dig eller andra, eller till skador på produkten eller annan egendom i närheten. Denna produktbok, inklusive instruktionerna, direktiven och varningarna samt relaterad information, kan ändras och uppdateras. För uppdaterad produktinformation, besök [documents.dometic.com](http://documents.dometic.com).

## Innehåll

Symbolförklaring	54
Säkerhetsanvisningar	54
Leveransomfattning	55
Tillbehör	55
Målgrupp	55
Avsedd användning	55
Teknisk beskrivning	55
Installera litiumbatteriet	56
Förbereda batteriet	57
Ladda litiumbatteriet	57
Rengöring och skötsel	58
Felsökning	58
Garanti	59
Avfallshantering	59
Tekniska data	59

## Symbolförklaring



### FARA!

**Säkerhetsanvisning:** Anger en farlig situation som, om den inte kan undvikas, leder till döden eller allvarlig personskada.



### VARNING!

**Säkerhetsanvisning:** Anger en farlig situation som, om den inte kan undvikas, kan leda till döden eller allvarlig personskada.



### AKTA!

**Säkerhetsanvisning:** Anger en farlig situation som, om den inte kan undvikas, leder till lindrig eller måttlig personskada.



### OBSERVERA!

Anger en situation som, om den inte kan undvikas, kan leda till materiell skada.



### ANVISNING

Kompletterande information om användning av produkten.

## Säkerhetsanvisningar



**VARNING! Om man underlåter att följa de här varningarna kan följden bli dödsfall eller allvarlig personskada.**

### Risk för dödsfall på grund av elektricitet

- Installation, montering och ledningsdragning samt alla andra arbeten får bara utföras av kvalificerade elspecialister. Icke fackmässiga reparationer kan medföra allvarliga risker.

### Brandrisk

- Installation är inte tillåten i potentiellt explosiva miljöer som rum med brandfarliga vätskor eller gaser.
- Installera eller placera inte apparaten nära öppen eld eller andra värmekällor (värmeelement, starkt solljus, gasspisar osv.).

### Hälsorisk

- Installera och håll alltid apparaten väl utom räckhåll för barn.



**OBSERVERA! Anger en situation som, om den inte kan undvikas, kan leda till materiell skada.**

- Jämför spänningsuppgifterna på typskylten med elförsörjningen på plats.
- Doppa aldrig ner apparaten i vatten.
- Skydda apparaten och kablarna mot värme och fukt.
- Utsätt inte apparaten för regn.

## Säkerhetsåtgärder vid hantering av litium-batterier



**AKTA! Om man underlåter att följa de här försiktighetsåtgärderna kan följden bli lindrig eller måttlig personskada.**

### Risk för personskada

- Använd endast batterier med integrerat batterihanteringssystem och cellbalansering.



**OBSERVERA! Risk för skada**

- Installera endast batteriet i omgivningar med en omgivningstemperatur på minst 0 °C.

## Leveransomfattning

Mängd	Beskrivning
1	MT Li litiumbatteri
2	Batteripoladapter (bara batterier med sexkantiga M8-poler)
2	Skydd för batterianslutning
1	6-polig kontakt
1	4-polig kontakt
1	Monterings- och bruksanvisning

## Tillbehör

Beskrivning	SKU
MT iQ BasicPro batteridator	9620000287 (MT71260)
MT 5000iQ batteridator med 100 A, 200 A eller 400 A shunt	9620000129 (MT01262), 9620000218 (MT01265), 9620000303 (MT01268)
Runda poladaptrar	9620000338 (MT12102)

## Målgrupp



Elinstallation och inställningen av apparaten måste utföras av en kvalificerad elektriker som har bevisat sina färdigheter och kunskaper inom konstruktion och drift av elutrustning och elinstallationer och som känner till gällande bestämmelser i landet där utrustningen installeras och/eller används och har fått säkerhetsutbildning för att kunna upptäcka och undvika de faror som kan uppstå.

Alla andra åtgärder som beskrivs är avsedda även för icke-professionella användare.

## Avsedd användning

Apparaten är avsedd att användas som lagring av elektrisk energi för husbilar, fritidsfordon, vid camping och marin användning.

## Teknisk beskrivning

MT litiumbatterierna består av 4 serieblock med parallellkopplade LiFePO<sub>4</sub> cylindriska celler.

MT litiumbatterierna är utrustade med ett batteriförvaltningssystem som är inbyggt i batterihuset. Batteriförvaltningssystemet är en icke-effektförbrukande, passiv, elektronisk enhet som skyddar batteriet mot djupurladdning, överladdning, övertemperatur och säkerställer cellbalansering på alla seriellt kopplade block under laddning.

I skyddsläget stängs batteriet av temporärt så länge störningen pågår och slås på automatiskt när förhållande är normala samt vid laddning.

# Installera litiumbatteriet



## OBSERVERA! Risk för skada

- Installationen får endast utföras av en kvalificerad elektriker.
- Det måste säkerställas att inget vatten kan tränga in i litiumbatteriet och att batteriet inte smutsas ned.
- Ett mekaniskt skadat litiumbatteri får inte användas.
- Batteripolerna får inte komma i kontakt med föremål som är elektriskt konduktiva.
- Anslut aldrig anslutningskablar med omvänd polaritet. Observera markeringarna (+) för positiv och (-) för negativ anslutning.
- Alla kablar från eller till batteriet måste skyddas med en säkring som är lämplig och godkänd för kabelns area.
- Anslutningen till batteripolen måste vara ordentligt fastsatt och anslutningen måste överensstämma med märkströmmen.



## OBSERVERA! Risk för skada

- Litiumbatterier av olika märken, kapacitet, storlek eller typ får inte anslutas med varandra.
- Batterier med oxiderade poler får aldrig användas.
- Litiumbatterierna måste installeras i en uppvärmd omgivning.

► Ta bort transportlocket innan batteriet installeras (bild **1**, sida 3).

► Den optimala installationspositionen för batteriet är stående, men det kan även placeras liggande om polerna är riktade uppåt (bild **5**, sida 4).

► Litiumbatteriet måste säkras så att det inte glider iväg eller tippar. Säkra batteriet med de hjälpmedel som finns i fordonet.

► Anslut alltid den positiva kabeln först, därefter den negativa kabeln.

- Maximum 4 litiumbatterier kan anslutas parallellt (12 V).
- Maximum 2 litiumbatterier kan anslutas seriellt (24 V).



## OBSERVERA! Risk för skada

Innan batterierna kopplas ihop måste alla batterier laddas fulla separat från varandra. Parallella eller seriella sammankopplingar av batterier är bara tillåtet om spänningsdifferensen mellan batterierna är mindre än 50 mV.

Litiumbatterierna är utrustade med två extra uttag, ett för interna temperaturgivare och det andra för laddningsregulator tillval.

### 6-polig kontakt bild **2**, sida 3

#### Beskrivning

Ledningar <b>A</b>	Temperaturgivare för MT CAC, BCB, LB eller solcellsregulator
Ledningar <b>B</b>	Temperaturgivare för MT CAC, BCB, LB eller solcellsregulator
Ledningar <b>C</b>	Temperaturgivare för MT ICC eller solcellsregulator

- Endast en MT-enhet kan anslutas till varje intern givare.
- Om batterierna kopplas parallellt, får bara en temperaturgivare från en batteriledning **A** användas.
- Om batteriladdaren kommer från en annan tillverkare ska dessa uttag inte användas.

### 4-polig kontakt bild **3**, sida 3

#### Beskrivning

Ledning 1	Ingångssignal för batterikopplingsstatus.
Ledning 2	Reserverad för service.
Ledning 3	Utgång för mindre förbrukare, kan belastas med max. 150 mA.
Ledning 4	Spänningssensor





### OBSERVERA!

Vid leverans är batteriet låst med en transportsäkring (bild 1, sida 3) och kan inte laddas med stift 1 och stift 3 kortslutna på den 4-poliga kontakten och alla DIP-switchar av (fabriksinställning).

## Förbereda batteriet

DIP-switcharna finns bakom dekalen **battery setup** (bild 4, sida 4).



### ANVISNING

Fabriksinställning för DIP-switcharna:

- För ett enskilt batteri: alla DIP-switchar är **Av**.
- För en Power Unit-sats: alla DIP-switchar är **På**.

## Signalgångsläge

DIP 1	DIP 2	Beskrivning
OFF	OFF	Avbryter laddning och urladdning om en positiv 12-V-signal kommer till ledning 1 på den 4-poliga kontakten. Kommer ingen signal till ledning 1 har batteriet full funktion.
ON (PÅ)	OFF	Avbryter laddning och urladdning om ingen signal kommer till ledning 1 på den 4-poliga kontakten. Vid en 12-V-signal till ledning 1 har batteriet full funktion.

DIP 1	DIP 2	Beskrivning
OFF	ON (PÅ)	Avbryter laddning om en 12-V-signal kommer till ledning 1 på den 4-poliga kontakten, urladdning är fortfarande möjlig. Kommer ingen signal till ledning 1 har batteriet full funktion.
ON (PÅ)	ON (PÅ)	Avbryter laddning om ingen signal kommer till ledning 1 på den 4-poliga kontakten, urladdning är fortfarande möjlig. Vid en 12-V-signal till ledning 1 har batteriet full funktion.

## Laddningsskydd

DIP 3	Beskrivning
OFF	En batteriladdare från en annan tillverkare används.
ON (PÅ)	En Büttner/Dometic-batteriladdare används och de 4-poliga och 6-poliga kontakterna är anslutna.

## Ladda litiumbatteriet

Laddning av litiumbatteriet får endast utföras med en IUoU-laddare med temperaturstyrd laddströmsminskning. Absorptionsspänningen för laddning är 14,4 V, underhållsspänningen är 13,6 V och bara 12,8 V under -20 °C och över 50 °C. Mellan 0 °C och -20 °C måste endast en laddström på 0,05 C användas.

### Laddare som rekommenderas av tillverkaren

För stationär användning:

- MT PL 1225 - MT PL 1250
- MT 1215 - MT 1260
- Alla PP och MPP solladdare med karakteristik för litiumbatterier.

För mobil användning med temperaturövervakade laddare från generator:

- Laddningsförstärkare LB 30 -LB 90 med karakteristik för litiumbatterier.
- Batteristyrningsförstärkare BCB 25/20 till BCB 60/40 med karakteristik för litiumbatterier.

Växelriktar/laddar-kombination:

- ICC 1600 SI-N/60 A och ICC 3000 SI-N/120 A



### **OBSERVERA! Risk för skada**

Laddning av litiumbatteriet får endast utföras med laddare med laddningskaraktistik för litiumbatterier.



### **ANVISNING**

Vi rekommenderar användning av en batteriövervakare tillsammans med LiFePO4-batteriet.

## **Rengöring och skötsel**

Litiumbatterier är underhållsfria.

- Rengör produkten då och då med en fuktig trasa.

## **Felsökning**

<b>Fel</b>	<b>Möjlig orsak</b>	<b>Åtgärd</b>
Ingen utgångsspänning vid batteripolen.	Batteriet är låst.	Ta bort transportsäkring (bild <b>1</b> , sida 3).
	Felaktiga DIP-switch-inställningar.	Ställ in korrekt ordningsföljd på DIP-switcharna. (kapitel "" på sidan 56)
	Felaktig polaritet.	Anslut batteriet korrekt.
	Låg batterispänning.	Ladda batteriet i minst 24 timmar.
	Batteriet är överhettat.	Vänta 30 minuter tills batteriet har svalnat och återställt sig självt.
	Kortslutning eller överbelastning av batteriet.	Sätt in transportsäkring, vänta 10 sekunder och ta bort transportsäkring igen.  Koppla bort alla kablar från batteriet, vänta 10 sekunder och anslut kablarna igen.  Ladda batteriet för återställning.
Batteriladdning är inte möjlig.	Felaktiga DIP-switch-inställningar.	Ställ in korrekt ordningsföljd på DIP-switcharna. (kapitel "" på sidan 56)
	Kontakten till temperaturgivaren är inte ansluten.	Anslut kontakten till temperaturgivaren korrekt.
	Batteritemperatur under 0 °C.	Värm upp batteriet.
	Batteriet är överhettat.	Vänta 30 minuter tills batteriet har svalnat och återställt sig självt.
Batterikapaciteten verkar vara reducerad.	Lång förvaring.	Ladda batteriet i minst 24 timmar.

Fel	Möjlig orsak	Åtgärd
Ingen utgångsspänning vid den extra utgången.	Batterispänningen under 10 V. Överbelastning av uteffekten. (max. 150 mA)	Ladda batteriet i minst 24 timmar. Koppla bort kablarna från den extra utgången och reducera belastningen. Vänta ett par minuter tills batteriet har svalnat och sätt tillbaka kablarna.

## Garanti

Den lagstadgade garantitiden gäller. Kontakta din återförsäljare eller tillverkarens avdelningskontor i ditt land (se [dometic.com/dealer](http://dometic.com/dealer)) om produkten är defekt.

Vid reparations- och garantiärenden ska följande dokument skickas med när du returnerar produkten:

- En kopia på fakturan med inköpsdatum
- En reklambeskrivning eller felbeskrivning

Observera att självständiga eller icke professionella reparationer kan påverka säkerheten och leda till att garantin blir ogiltig.


## Avfallshantering




- Lämna om möjligt förpackningsmaterialet till återvinning.
- Konsultera ett lokalt återvinningscenter eller en specialiserad återförsäljare för information om hur man bortkaffar produkten i enlighet med tillämpliga bortskaffningsförfordningar.
- Varken laddningsbara batterier eller andra batterier hör hemma i hushållssoporna. Lämna dina förbrukade eller defekta (laddningsbara) batterier till återförsäljaren eller till ett insamlingsställe.

## Tekniska data

	MT LI 0085	MT LI 0105	MT LI 0120
Batterityp	Litiumjärnfosfat/LiFePO <sub>4</sub> med integrerad BMS		
Driftspänning	12,8 V $\text{---}$		
Volym	85 Ah (C1 @ 20 °C)	105 Ah (C1 @ 20 °C)	120 Ah (C1 @ 20 °C)
Kontinuerlig urladdningsström	100 A (200 A < 5 sek.)	160 A (300 A < 5 sek.)	200 A (400 A < 5 sek.)
Rekommenderad/max. laddström	20 A/50 A	25 A/80 A	30 A/100 A
Laddström (reducerad)	0,05 C		
Laddningskaraktäristik	IUoU för LiFePO <sub>4</sub> -batterier		
Spänning vid färdig laddning	14,4 V (0,3–1 h)		
Vilospänning	13,4 V $\text{---}$		
Djupurladdningsskydd	$\leq 10,5 \text{ V } \text{---}$		
Temperaturområde urladdning	-20 °C till 60 °C		
Rekommenderat laddningstemperaturområde	0 °C till 45 °C		
Laddström - I <sub>max</sub>			

	<b>MT LI 0085</b>	<b>MT LI 0105</b>	<b>MT LI 0120</b>
Reducerad laddström temperaturområde	$U_{cons}=12,8\text{ V}$ under $-20\text{ °C}$ och över $50\text{ °C}$		
Miljöförutsättning, luftfuktighet	10 % till 90 % relativ		
Laddningstemperaturområde med reducerad laddström	2000 laddnings/urladdningscykler med 100 % DOD 3000 laddnings/urladdningscykler med 50 % DOD 7000 laddnings/urladdningscykler med 30 % DOD		
Mått (B x H x D) (mm)	278 x 175 x 190	353 x 175 x 190	330 x 172 x 212
Batteripoltyp	Rund pol	Rund pol	Sexkantsbult M8 (åtdragningsmoment 7–8 Nm)
Vikt	10,2 kg	12,7 kg	14,8 kg
Provning/certifikat:	UN38,3 		

	<b>MT LI 0180</b>	<b>MT LI 0240</b>	<b>MT LI 0300</b>
Batterityp	Litiumjärnfosfat/LiFePO4 med integrerad BMS		
Driftspänning	12,8 V $\text{---}$		
Volym	180 Ah (C1 @ $20\text{ °C}$ )	240 Ah (C1 @ $20\text{ °C}$ )	300 Ah (C1 @ $20\text{ °C}$ )
Kontinuerlig urladdningsström	200 A (400 A < 5 sek.)	250 A (550 A < 5 sek.)	300 A (660 A < 5 sek.)
Rekommenderad/max. laddström	50 A /150 A	60 A /200 A	75 A /250 A
Laddström (reducerad)	0,05 C		
Laddningskaraktäristik	IUoU för litiumbatterier		
Spänning vid färdig laddning	14,4 V (0,3–1 h)		
Vilospänning	13,4 V $\text{---}$		
Djupurladdningsskydd	$\leq 10,5\text{ V}$ $\text{---}$		
Temperaturområde urladdning	$-20\text{ °C}$ till $60\text{ °C}$		
Rekommenderat laddningstemperaturområde	$0\text{ °C}$ till $45\text{ °C}$		
Laddström - $I_{max}$			
Reducerad laddström temperaturområde	$-20\text{ °C}$ till $0\text{ °C}$ Under $U_{cons}=12,8\text{ V}$ $\text{---}$		
Miljöförutsättning, luftfuktighet	10 % till 90 % relativ		
Laddningstemperaturområde med reducerad laddström	2000 laddnings/urladdningscykler med 100 % DOD 3000 laddnings/urladdningscykler med 50 % DOD 7000 laddnings/urladdningscykler med 30 % DOD		
Mått (B x H x D) (mm)	330 x 172 x 212	520 x 220 x 240	520 x 220 x 270

	<b>MT LI 0180</b>	<b>MT LI 0240</b>	<b>MT LI 0300</b>
Batteripoltyp	Sexkantsbult M8 (åtdragningsmoment 7-8 Nm)	Sexkantsbult M8 (åtdragningsmoment 7-8 Nm)	Sexkantsbult M8 (åtdragningsmoment 7-8 Nm)
Vikt	14,8 kg	30,5 kg	38,6 kg
Certifiering	UN38,3 		

Vennligst les disse instruksjonene nøye og følg alle instruksjoner, retningslinjer og advarsler som er inkludert i denne produktveiledningen for å sikre at du installerer, bruker og vedlikeholder produktet ordentlig til enhver tid. Disse instruksjonene MÅ følge med dette produktet.

Ved å bruke dette produktet bekrefter du at du har lest alle instruksjoner, retningslinjer og advarsler nøye, og at du forstår og aksepterer å overholde betingelsene og vilkårene slik de er presentert her. Du godtar å bruke dette produktet kun til tiltenkt formål og anvendelse, og i samsvar med instruksjonene, retningslinjene og advarslene slik de er presentert i denne produktveiledningen, så vel som i samsvar med alle gjeldende lovbestemmelser og forskrifter. Hvis instruksjonene og advarslene som er presentert her, ikke blir lest og fulgt, kan dette resultere i personskader hos deg selv eller andre, skade på produktet eller skade på annen eiendom i nærheten. Denne produktveiledningen, inkludert instruksjonene, retningslinjene og advarslene, samt relatert dokumentasjon, kan være underlagt endringer og oppdateringer. For oppdatert produktinformasjon, se documents.dometic.com.

## Innhold

Symbolforklaring	62
Sikkerhetsanvisninger	62
Leveringsomfang	63
Tilbehør	63
Målgruppe	63
Forskriftsmessig bruk	63
Teknisk beskrivelse	63
Installere litiumbatteriet	64
Stille inn batteriet	65
Lade litiumbatteriet	65
Rengjøring og vedlikehold	65
Feilretting	66
Garanti	66
Avfallshåndtering	67
Tekniske spesifikasjoner	67

## Symbolforklaring



### FARE!

**Sikkerhetsregel:** Kjennetegner en farlig situasjon som - dersom den ikke unngås - resulterer i alvorlige personskader, eventuelt med døden til følge.



### ADVARSEL!

**Sikkerhetsregel:** Kjennetegner en farlig situasjon som - dersom den ikke unngås - kan resultere i alvorlige personskader, eventuelt med døden til følge.



### FORSIKTIG!

**Sikkerhetsregel:** Kjennetegner en farlig situasjon som - dersom den ikke unngås - kan resultere i mindre til moderate personskader.



### PASS PÅ!

Kjennetegner en situasjon som - dersom den ikke unngås - kan resultere i materielle skader.



### MERK

Ytterligere informasjon om betjening av produktet.

## Sikkerhetsanvisninger



**ADVARSEL! Manglende overholdelse av disse advarslene kan resultere i alvorlige personskader, eventuelt med døden til følge.**

### Fare for elektrisk støt

- Installasjon, montering og kabling, så vel som alt annet arbeid, skal bare utføres av kvalifiserte elektrikere. Usakkyndige reparasjoner kan føre til alvorlige farer.

### Brannfare

- Installasjon i potensielt eksplosive områder slik som rom med brennbare væsker eller gasser, er ikke tillatt.
- Ikke installer eller hold apparatet i nærheten av åpen flamme eller andre varmekilder (oppvarming, sterk solbestråling, gassovner, osv.).

### Helsefare

- Installer og oppbevar alltid apparatet utenfor barns rekkevidde.



**PASS PÅ! Kjennetegner en situasjon som - dersom den ikke unngås - kan resultere i materielle skader.**

- Kontroller at spenningsspesifikasjonene på merkeskiltet tilsvarer de for den tilgjengelige strømmtilførselen.
- Dypp aldri apparatet i vann.

- Beskytt apparatet og kablene mot varme og fuktighet.
- Ikke eksponer apparatet for regn.

## Målgruppe



Den elektriske installasjonen og oppsettet av apparatet må utføres av en kvalifisert elektriker som har vist ferdigheter og kunnskaper relatert til konstruksjon og drift av elektrisk utstyr og installasjoner, og som er kjent med gjeldende forskrifter i det landet hvor utstyret skal installeres og/eller brukes, og har mottatt sikkerhetsopplæring for å kunne identifisere og unngå farene som er forbundet med arbeidet.

Alle andre handlinger er også ment for ikke-profesjonelle brukere.

## Forskriftsmessig bruk

Enheten er ment for lagring av elektrisk strøm til bobiler, fritidskjøretøyer, camping og båtbruk.

## Teknisk beskrivelse

MT litiumbatteriene består av 4 serieblokker med parallellkoblede LiFePO<sub>4</sub>-rørceller.

MT litiumbatteriene er utstyrt med et batteristyringssystem som er innebygget i batteriinnkapslingen.

Batteristyringssystemet er et passivt elektronisk apparat som ikke forbruker strøm. Det beskytter batteriet mot dyputlading, overlading og overtemperatur, og sørger for å balansere cellene i de seriekoblede blokkene under lading.

I sikkerhetsmodus vil batteriet kobles ut midlertidig så lenge en forstyrrelse foreligger, og deretter kobles inn igjen automatisk ved normale forhold og gjenopplading.

## Sikkerhetsregler ved håndtering av litiumbatterier



**FORSIKTIG! Manglende overholdelse av disse forsiktighetsvarslene kan resultere i mindre til moderate personskader.**

### Fare for personskader

- Bruk kun batterer med integrert batteristyringssystem og celledspenningsbalanse.



**PASS PÅ! Fare for skader**

- Installer batteriet kun i omgivelser med en omgivelsestemperatur på minst 0 °C.

## Leveringsomfang

Antall	Beskrivelse
1	MT LI litiumbatteri
2	Batterikontaktadapter (kun batterier med sekskantede M8-hodekontakter)
2	Deksel til batteriklemme
1	6-polet kontakt
1	4-polet kontakt
1	Monterings- og bruksanvisning

## Tilbehør

Beskrivelse	SKU
MT iQ BasicPro battericomputer	9620000287 (MT71260)
MT 5000iQ battericomputer med 100 A, 200 A eller 400 A målemotstand	9620000129 (MT01262), 9620000218 (MT01265), 9620000303 (MT01268)
Rundpoladaptere	9620000338 (MT12102)

# Installere litiumbatteriet



## PASS PÅ! Fare for skader

- Installasjonen må kun utføres av en kvalifisert elektriker.
- Det må sikres at ikke vann kan komme inn i litiumbatteriet og at batteriet ikke tilsmisses.
- Et litiumbatteri med mekaniske skader må ikke brukes.
- Batterikontaktene må ikke komme i kontakt med elektrisk ledende gjenstander.
- Tilkoblingskablene må aldri kobles til med feil polaritet. Følg markeringene (+) for plusspolen og (-) for minuspolen.
- Alle kabler fra eller til batteriet må beskyttes med en sikring som er godkjent for det tilkoblede kabelvernsnit-tet.
- Batteripoltilkoblingen må trekkes godt til og være i samsvar med merkestrøm-men.



## PASS PÅ! Fare for skader

- Litiumbatterier fra ulike merker eller med ulik kapasitet, størrelse eller type må ikke kobles sammen.
- Batterier med korroderte tilkoblinger må aldri brukes.
- Litiumbatteriene må installeres i oppvarmede omgivelser.

- ▶ Fjern transportlåsen før batteriet installeres (fig. **1**, side 3).
- ▶ Anbefalt installasjonsposisjon for batteriet er stående, men det kan også installeres liggende så lenge tilkoblingene peker oppover (fig. **5**, side 4).
- ▶ Litiumbatteriet må sikres mot å skli og velte. For å gjøre dette må batteriet sikres med hjelpemidlene i kjøretøyet.
- ▶ Koble alltid til plusskabelen først, og så minuskabelen.
- Maksimalt 4 litiumbatterier kan parallellkobles (12 V).
- Maksimalt 2 litiumbatterier kan seriekobles (24 V).



## PASS PÅ! Fare for skader

Før batteriene kobles sammen, må alle lades opp separat. Parallellkobling og seriekobling av batteriene er kun tillatt hvis spenningsdifferansen mellom dem er under 50 mV.

Litiumbatteriene er utstyrt med to ekstra kontakter, en for bruk av de interne temperatursensorene og en for separate ladekontrollalternativer.

### 6-polet kontakt fig. **2**, side 3

#### Beskrivelse

Tilkoblinger <b>A</b>	Temperatursensor for MT CAC, BCB, LB eller solcelle-regulator
Tilkoblinger <b>B</b>	Temperatursensor for MT CAC, BCB, LB eller solcelle-regulator
Tilkoblinger <b>C</b>	Temperatursensor for MT ICC eller solcelleregulator

- Det kan bare kobles én MT-enhet til hver interne sensor.
- Hvis batteriene parallellkobles, skal bare en temperatursensor fra en batteritilkobling **A** brukes.
- Hvis batteriladeren er fra en annen produsent, skal kontaktene være tomme.

### 4-polet kontakt fig. **3**, side 3

#### Beskrivelse

Tilkobling 1	Inngangssignal for batteriomkoblingsstatus.
Tilkobling 2	Reservert for serviceformål.
Tilkobling 3	Utgang for små forbrukere, kan belastes med maksimalt 150 mA
Tilkobling 4	Spenningsensor



## PASS PÅ!

Ved levering er batteriet sperret med en transportlås (fig. **1**, side 3) og kan ikke lades med pol 1 og pol 3 kortslettet på den 4-polede kontakten og alle DIP-brytere av (fabrikkinnstilling).



## Stille inn batteriet

DIP-bryterne befinner seg bak merkelappen «**battery setup**» (fig. 4, side 4).



### MERK

Standard fabrikkinnstillinger for DIP-bryterne:

- For enkeltbatteri: alle brytere er **AV**.
- For deler av Power Unit-settet: alle brytere er **PÅ**.

## Signalinngangsmodus

DIP 1	DIP 2	Beskrivelse
OFF	OFF	Avbryter lading og utlading hvis et 12 V-plus-signal sendes til tilkobling 1 på den 4-polede kontakten. Full batterifunksjon hvis det ikke foreligger noe signal på tilkobling 1.
ON	OFF	Avbryter lading og utlading hvis det ikke sendes noe signal til tilkobling 1 på den 4-polede kontakten. Full batterifunksjon hvis det foreligger et 12 V-signal på tilkobling 1.
OFF	ON	Avbryter lading hvis det sendes et 12 V-signal til tilkobling 1 på den 4-polede kontakten, utlading fortsatt mulig. Full batterifunksjon hvis det ikke foreligger noe signal på tilkobling 1.
ON	ON	Avbryter lading hvis det ikke sendes noe signal til tilkobling 1 på den 4-polede kontakten, utlading fortsatt mulig. Full batterifunksjon hvis det foreligger et 12 V-signal på tilkobling 1.

## Ladebeskyttelse

DIP 3	Beskrivelse
OFF	Det benyttes en batterilader fra en annen produsent.
ON	En Büttner/Dometic-batterilader brukes og den 4-polede og den 6-pin kontakten er tilkoblet.

## Lade litiumbatteriet

Litiumbatteriet kan bare lades med en IUoU-lader med temperaturregulert ladestrømreduksjon. Absorpsjonsladespenningen er 14,4 V, flytespenningen (float) er 13,6 V, og bare 12,8 V ved under-20 °C og over 50 °C. Mellom 0 °C og -20 °C trengs kun tilføring av en ladestrøm på 0,05 C.

### Anbefalte laderegulatorer fra produsenten

For stasjonær drift:

- MT PL 1225 – MT PL 1250
- MT 1215 – MT 1260
- Alle PP- og MPP-solcelleregulatorer med litiumbatterikarakteristikk

For mobil bruk med temperaturovervåkede laderegulatorer fra dynamoen:

- Ladebooster LB 30 – LB 90 med litiumbatterikarakteristikk
- Batterikontroll-booster BCB 25/20 til BCB 60/40 med litiumbatterikarakteristikk

Vekselretter/lader-kombinasjon:

- ICC 1600 SI-N/60 A og ICC 3000 SI-N/120 A



### PASS PÅ! Fare for skader

Litiumbatteriet kan bare lades med laderegulatorer med litiumbatterikarakteristikk.



### MERK

Det anbefales på det sterkeste å bruke en batterivakt sammen med LiFePO4-batteriet.

## Rengjøring og vedlikehold

Litiumbatteriene er vedlikeholdsfrie.

- Rengjør produktet regelmessig med en fuktig klut.

## Feilretting

Problem	Mulig årsak	Løsning
Ingen utgangsspenning på batteritilkoblingen	Batteriet er låst.	Fjern transportlåsen (fig. <b>1</b> , side 3).
	Feil innstilling av DIP-brytere.	Still inn DIP-bryterne i riktig rekkefølge. (kapittel «» på side 64)
	Feil polaritet i kablingen.	Koble til batteriet riktig.
	Lav batterispenning.	Lad batteriet i minst 24 t.
	Batteriet er overopphetet.	Vent i 30 minutter for å la batteriet kjøles ned og nullstilles.
	Batteriet er kortsluttet eller overbelastet.	Plugg inn transportlåsen, vent i 10 sekunder og fjern så transportlåsen igjen.  Koble alle kabler fra batteriet, vent i 10 sekunder og koble til kablene igjen.  Lade batteriet for nullstilling.
Gjenopplading av batteriet er ikke mulig.	Feil innstilling av DIP-brytere.	Still inn DIP-bryterne i riktig rekkefølge. (kapittel «» på side 64)
	Temperatursensorkontakten er frakoblet.	Koble til temperatursensorkontakten ordentlig.
	Batteritemperaturen er under 0 °C	Varm opp batteriet.
	Batteriet er overopphetet.	Vent i 30 minutter for å la batteriet kjøles ned og nullstilles.
Batterikapasiteten ser ut til å være redusert.	Lang lagring	Lad batteriet i minst 24 t.
Ingen utgangsspenning på hjelpeutgangen.	Batterispenningen er lavere enn 10 V.	Lad batteriet i minst 24 t.
	Utgangen er overbelastet. (maks. 150 mA)	Koble kablene fra hjelpeutgangen og reduser belastningen. Vent i noen minutter for å la batteriet kjøles ned, og koble til kablene igjen.

## Garanti

Lovmessig garantitid gjelder. Hvis produktet er defekt, ta kontakt med forhandleren eller produsentens filial i landet (se [dometic.com/dealer](http://dometic.com/dealer)).

Ved henvendelser vedrørende reparasjon eller garanti, må du sende med følgende dokumentasjon:

- Kopi av kvitteringen med kjøpsdato
- Årsak til reklamasjonen eller beskrivelse av feilen

Vær oppmerksom på at reparasjoner som utføres selv, eller som ikke utføres på en profesjonell måte, kan gå ut over sikkerheten og føre til at garantien blir ugyldig.


## Avfallshåndtering




- ▶ Lever emballasje til resirkulering så langt det er mulig.
- ▶ For å kaste produktet endelig ta kontakt med det lokale resirkuleringscenteret eller faghandler om hvordan du kan gjøre dette i overensstemmelse med gjeldende avfallshåndteringsforskrifter.
- ▶ Batterier hører ikke hjemme i husholdningsavfallet. Lever defekte eller brukte batterier enten til forhandleren eller på en oppsamlingsstasjon.

## Tekniske spesifikasjoner

	MT LI 0085	MT LI 0105	MT LI 0120
Batteritype	Litiumjernfosfat/LiFePO <sub>4</sub> med integrert BMS		
Driftsspenning	12,8 V $\text{---}$		
Innhold	85 Ah (C1 @ 20 °C)	105 Ah (C1 @ 20 °C)	120 Ah (C1 @ 20 °C)
Kontinuerlig utladingsstrøm	100 A (200 A < 5 sek.)	160 A (300 A < 5 sek.)	200 A (400 A < 5 sek.)
Ladestrøm anbefalt/maks.	20 A/50 A	25 A/80 A	30 A/100 A
Ladestrøm (redusert)	0,05 C		
Ladekarakteristikk	IUoU for LiFePO <sub>4</sub> -batterier		
Sluttladespenning	14,4 V (0,3–1 t)		
Hvilespenning	13,4 V $\text{---}$		
Vern mot dyputlading	$\leq 10,5$ V $\text{---}$		
Utladingsstemperaturområde	-20 °C til 60 °C		
Anbefalt ladetemperaturområde	0 °C til 45 °C		
Ladestrøm - I <sub>max</sub>			
Redusert ladestrøm-temperaturområde	U <sub>cons</sub> = 12,8 V under -20 °C og over 50 °C		
Omgivelsesforhold, luftfuktighet	10 % til 90 % relativ luftfuktighet		
Ladetemperaturområde med redusert ladestrøm	2000 lade-/utladingscykluser ved 100 % utladingsdybde 3000 lade-/utladingscykluser ved 50 % utladingsdybde 7000 lade-/utladingscykluser ved 30 % utladingsdybde		
Mål (B × H × D) (mm)	278 × 175 × 190	353 × 175 × 190	330 × 172 × 212
Batteritilkoblingstype	Rund kontaktpol	Rund kontaktpol	M8-sekskantkrue (tiltrekkingsmoment 7–8 Nm)

	<b>MT LI 0085</b>	<b>MT LI 0105</b>	<b>MT LI 0120</b>
Vekt	10,2 kg	12,7 kg	14,8 kg
Inspeksjon/sertifisering:	UN 38.3 		

	<b>MT LI 0180</b>	<b>MT LI 0240</b>	<b>MT LI 0300</b>
Batteritype	Litiumjernfosfat/LiFePO4 med integrert BMS		
Driftsspenning	12,8 V <sup>---</sup>		
Innhold	180 Ah (C1 @ 20 °C)	240 Ah (C1 @ 20 °C)	300 Ah (C1 @ 20 °C)
Kontinuerlig utladingsstrøm	200 A (400 A < 5 sek.)	250 A (550 A < 5 sek.)	300 A (660 A < 5 sek.)
Ladestrøm anbefalt/maks.	50 A /150 A	60 A /200 A	75 A /250 A
Ladestrøm (redusert)	0,05 C		
Ladekaraktistikk	IUoU for litiumbatterier		
Sluttladespennning	14,4 V (0,3-1 t)		
Hvilespenning	13,4 V <sup>---</sup>		
Vern mot dyputlading	≤ 10,5 V <sup>---</sup>		
Utladingsstemperaturområde	-20 °C til 60 °C		
Anbefalt ladetemperaturområde	0 °C til 45 °C		
Ladestrøm - I <sub>max</sub>			
Redusert ladestrøm-temperaturområde	-20 °C til 0 °C Under U <sub>cons</sub> =12,8 V <sup>---</sup>		
Omgivelsesforhold, luftfuktighet	10 % til 90 % relativ luftfuktighet		
Ladetemperaturområde med redusert ladestrøm	2000 lade-/utladingscykluser ved 100 % utladingsdybde 3000 lade-/utladingscykluser ved 50 % utladingsdybde 7000 lade-/utladingscykluser ved 30 % utladingsdybde		
Mål (B × H × D) (mm)	330 × 172 × 212	520 × 220 × 240	520 × 220 × 270
Batteritilkoblingstype	M8-sekskantskrue (tiltrekkingsmoment 7-8 Nm)	M8-sekskantskrue (tiltrekkingsmoment 7-8 Nm)	M8-sekskantskrue (tiltrekkingsmoment 7-8 Nm)
Vekt	14,8 kg	30,5 kg	38,6 kg
Sertifisering	UN 38.3 		







**dometic.com**

---

**YOUR LOCAL  
DEALER**

**[dometic.com/dealer](https://dometic.com/dealer)**

**YOUR LOCAL  
SUPPORT**

**[dometic.com/contact](https://dometic.com/contact)**

**YOUR LOCAL  
SALES OFFICE**

**[dometic.com/sales-offices](https://dometic.com/sales-offices)**

---