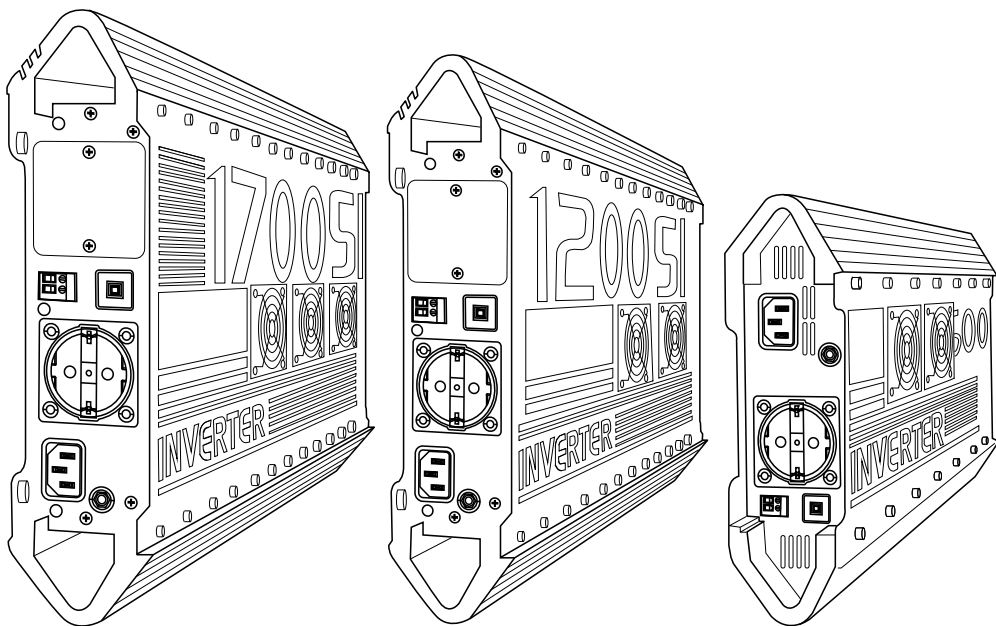


BÜTTNER | ↗ DOMETIC

POWER & CONTROL

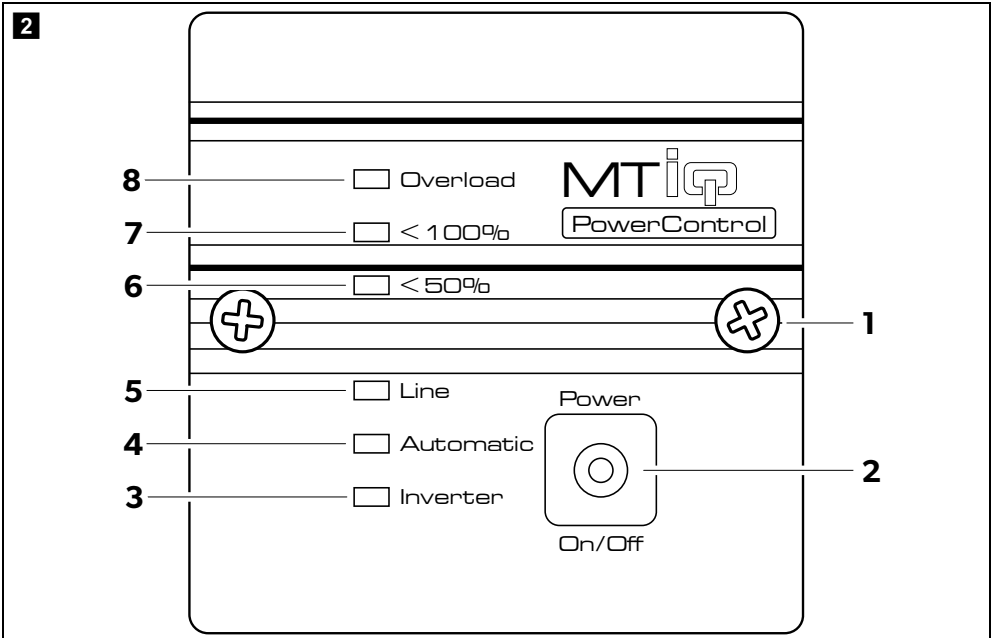
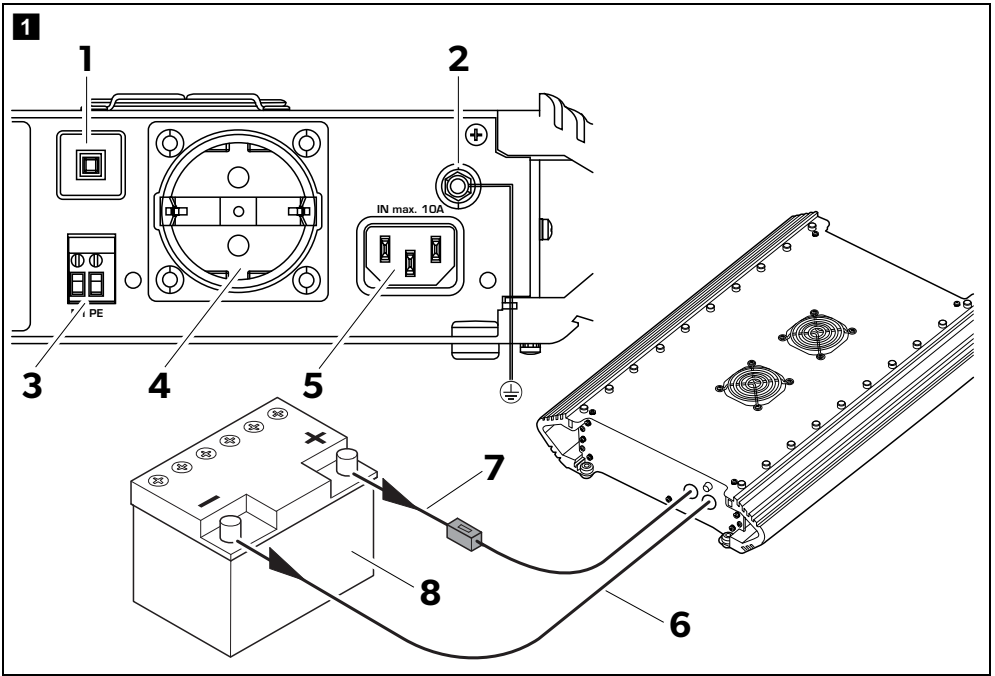
MT INVERTER

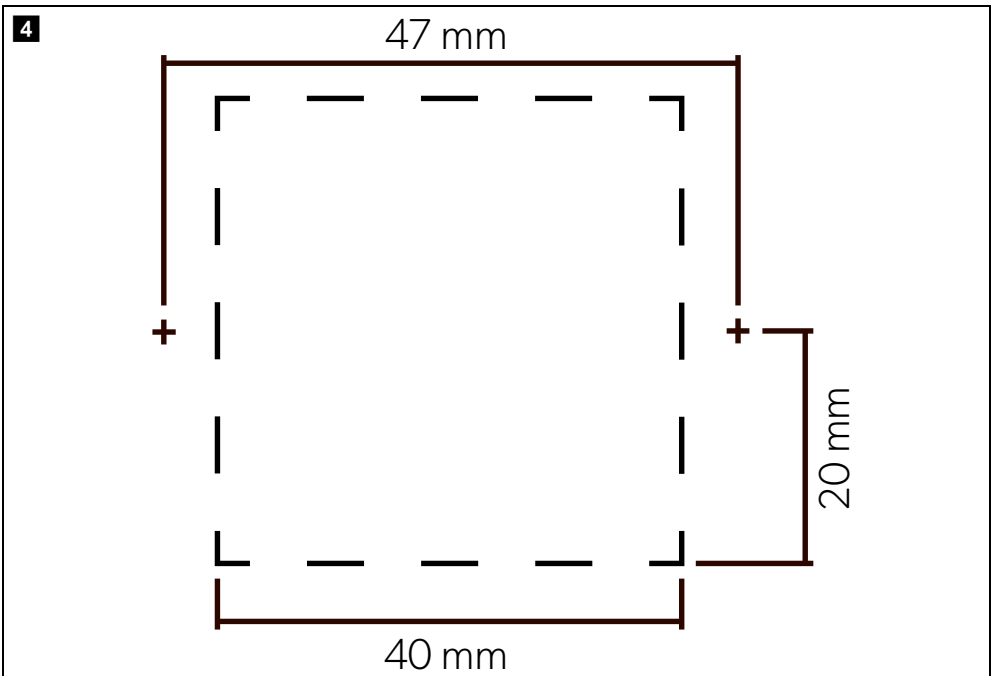
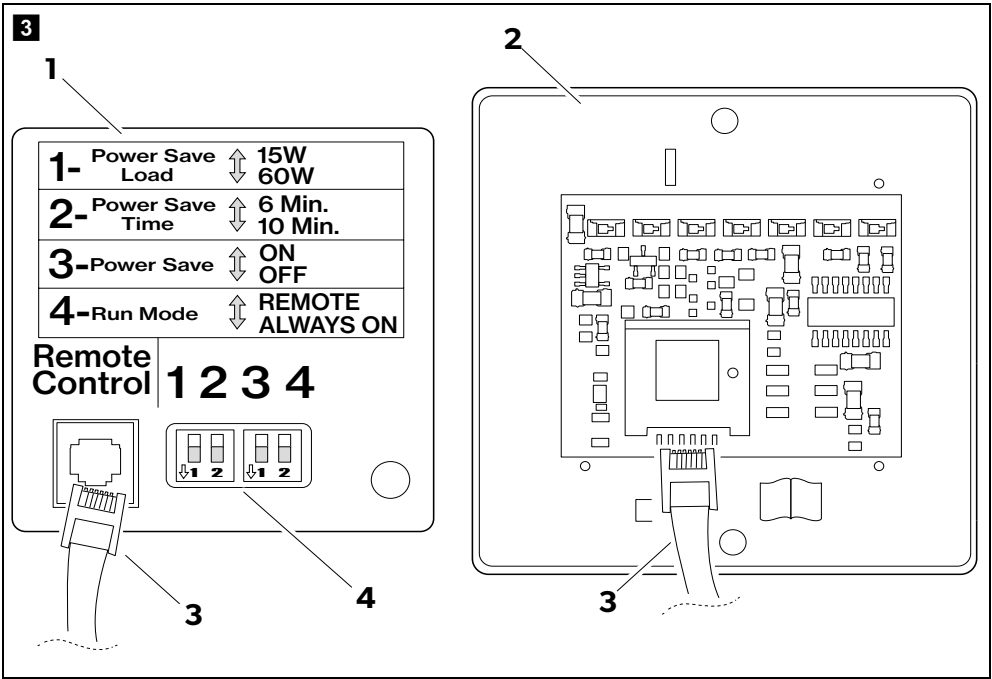


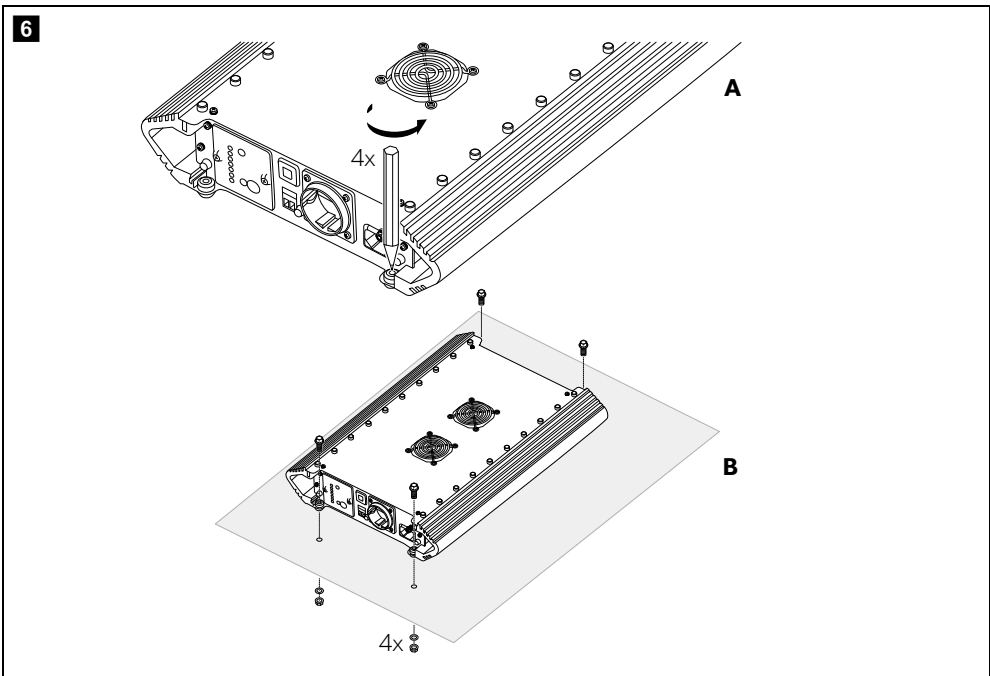
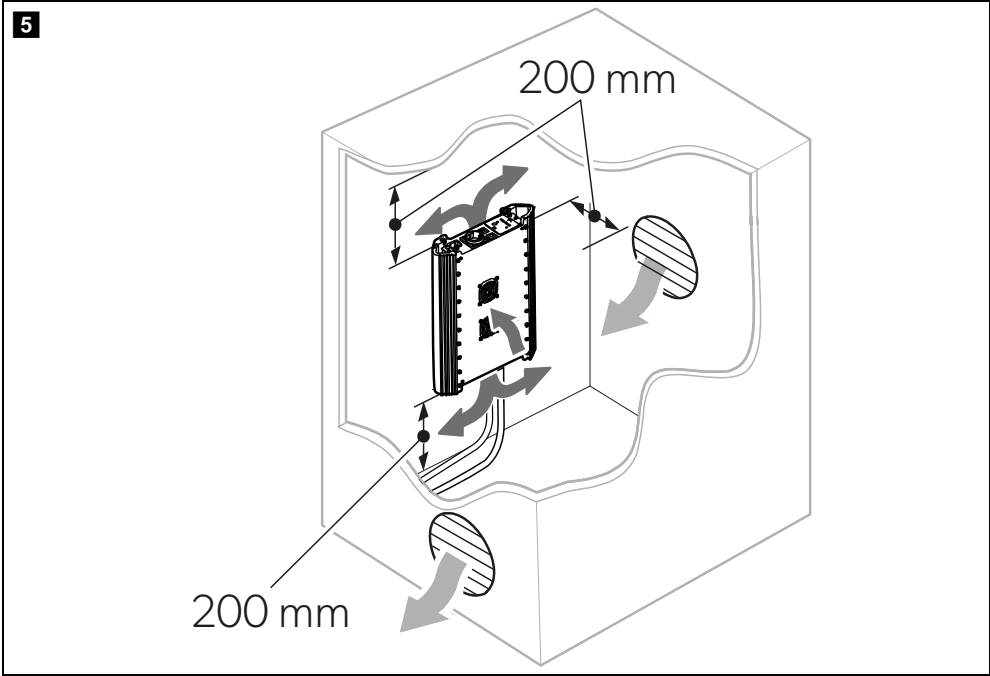
MT 600 SI-N, MT 1200 SI, MT 1200 SI-N, MT 1700 SI, MT 1700 SI-N

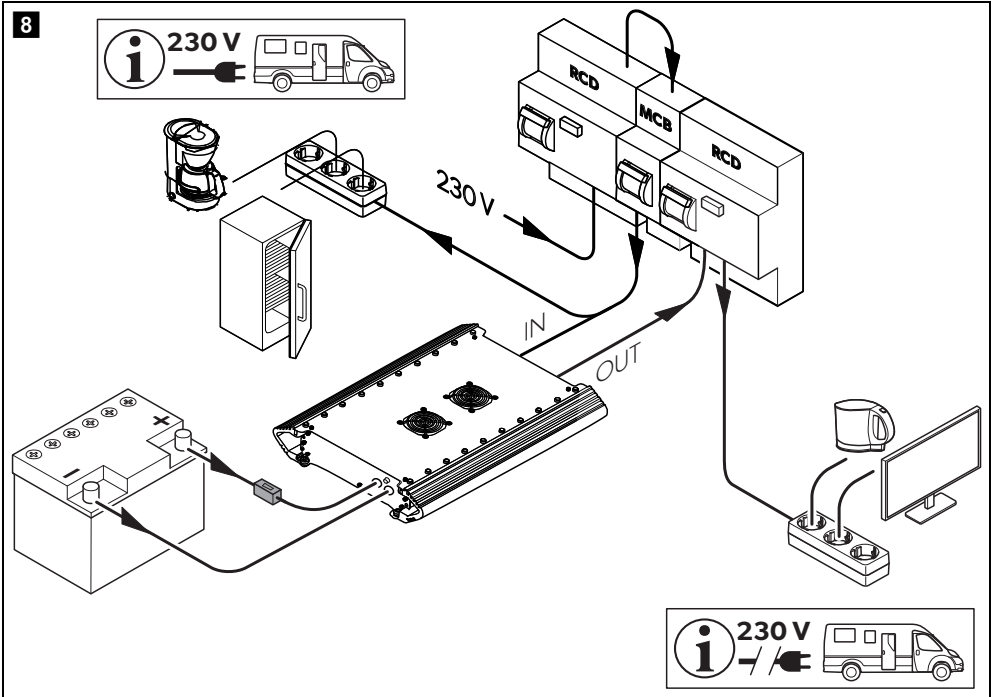
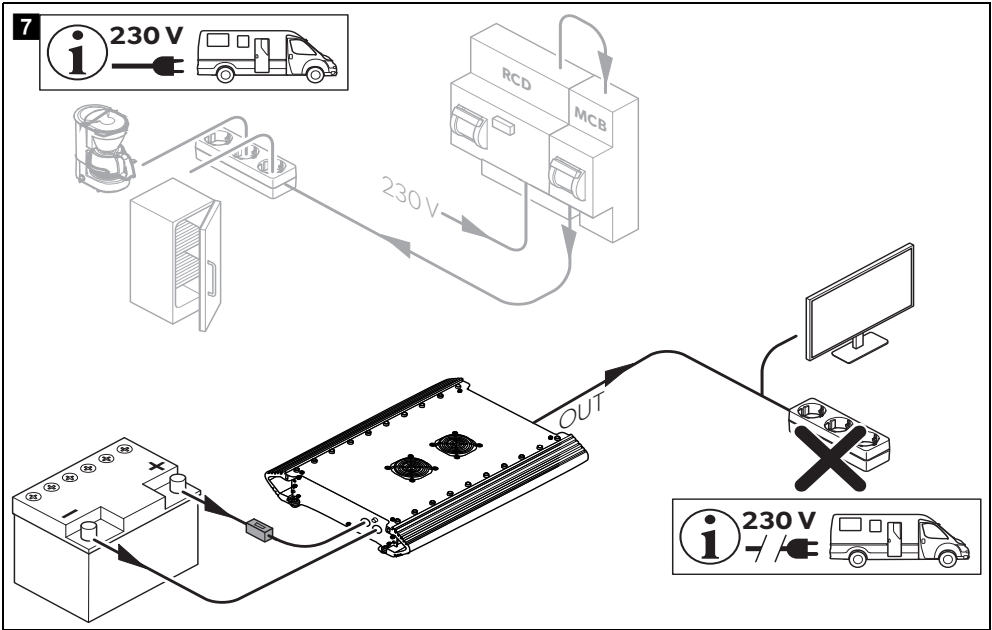
- | | | | |
|----|---|----|--|
| EN | Sine wave inverter
Installation and Operating Manual 8 | NL | Omvormer voor zuivere sinusgolven
Montagehandleiding en
gebruiksaanwijzing 43 |
| DE | Reiner Sinus-Wechselrichter
Montage- und Bedienungsanleitung 16 | DA | Inverter med ren sinusbølge
Monterings- og betjeningsvejledning 52 |
| FR | Onduleur sinusoïdal (onde pure)
Instructions de montage
et de service 25 | SV | Ren sinusväxelriktare
Monterings- och bruksanvisning 60 |
| IT | Inverter a onda sinusoidale pura
Istruzioni di montaggio e d'uso 34 | NO | Vekselretter med ren sinusbølge
Monterings- og bruksanvisning 68 |

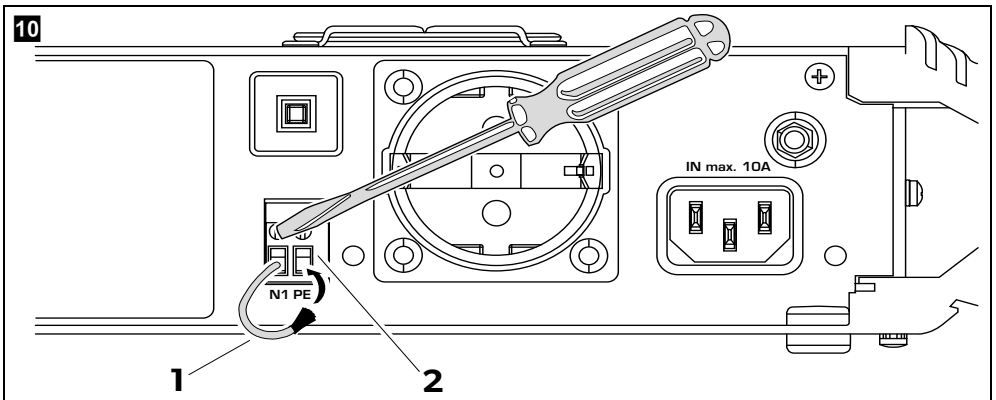
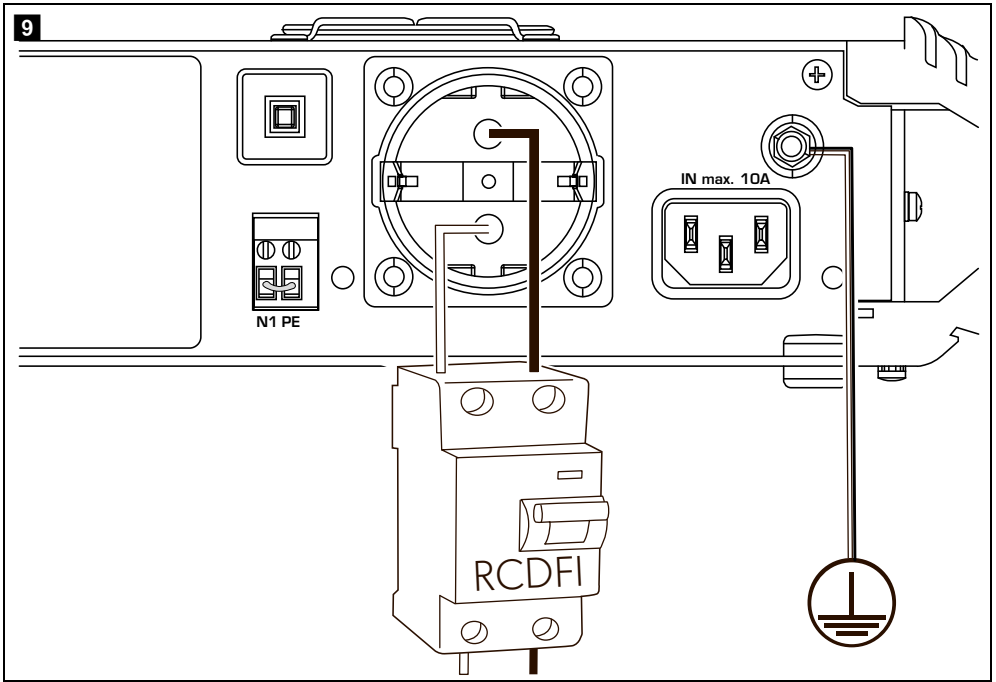
© 2022 Dometic Group. The visual appearance of the contents of this manual is protected by copyright and design law. The underlying technical design and the products contained herein may be protected by design, patent or be patent pending. The trademarks mentioned in this manual belong to Dometic Sweden AB. All rights are reserved.











Please read these instructions carefully and follow all instructions, guidelines, and warnings included in this product manual in order to ensure that you install, use, and maintain the product properly at all times. These instructions MUST stay with this product.

By using the product, you hereby confirm that you have read all instructions, guidelines, and warnings carefully and that you understand and agree to abide by the terms and conditions as set forth herein. You agree to use this product only for the intended purpose and application and in accordance with the instructions, guidelines, and warnings as set forth in this product manual as well as in accordance with all applicable laws and regulations. A failure to read and follow the instructions and warnings set forth herein may result in an injury to yourself and others, damage to your product or damage to other property in the vicinity. This product manual, including the instructions, guidelines, and warnings, and related documentation, may be subject to changes and updates. For up-to-date product information, please visit documents.dometic.com.

Contents

Explanation of symbols	8
Safety Instructions	8
Scope of delivery	9
Accessories	9
Target group	9
Intended use	10
Technical description	10
Installing the device	10
Using the device	11
Cleaning and maintenance	13
Troubleshooting	13
Warranty	14
Disposal	14

Explanation of symbols



WARNING!

Safety instruction: Indicates a hazardous situation that, if not avoided, could result in death or serious injury.



CAUTION!

Safety instruction: Indicates a hazardous situation that, if not avoided, could result in minor or moderate injury.



NOTICE!

Indicates a situation that, if not avoided, can result in property damage.



NOTE

Supplementary information for operating the product.

Safety Instructions



DANGER! Failure to obey these warnings will result in death or serious injury.

Fire hazard/Flammable materials

- In event of fire, use a fire extinguisher which is suitable for electrical devices.

Electrocution hazard

- Ensure that the red and black terminals never come into contact with each other.
- The device may not be used if the device itself or the connection cable is visibly damaged.
- If the power cable of the device is damaged, it must be replaced by the manufacturer, a service agent or a similarly qualified person in order to prevent safety hazards.
- Parts of the device may still conduct voltage even if the fuse has blown.
- This device may only be repaired by qualified personnel. Inadequate repairs may cause serious hazards.
- If you are working on electrical systems, ensure that there is somebody close at hand who can help you in case of emergency.
- Before disassembling the device, detach all connections and make sure that no voltage is present at any of the inputs and outputs.
- Do not touch exposed cables with your bare hands. This applies especially when operating the device from the AC mains.
- Disconnect the device from the mains before performing the following tasks:
 - Cleaning and maintenance.
 - Changing a fuse.
- Do not disconnect any cables when the device is still in use.
- Before starting the device, ensure that the power supply line and the plug are dry.
- To be able to disconnect the device quickly from the mains, the socket must be close to the device and be easily accessible.

Health hazard

- This appliance can be used by children aged from 8 years and above and persons with reduced physical, sensory or mental capabilities or lack of experience and knowledge if they have been given supervision or instruction concerning use of the appliance in a safe way and understand the hazards involved.
- Always keep the appliance out of the reach of children.
- Children must be supervised to ensure that they don't play with the device
- Cleaning and user maintenance shall not be made by children without supervision.

Risk of injury

- Lay the cables so that they cannot be tripped over or damaged.

Explosion hazard

- Do not operate the device under these circumstances:
 - Wet or damp environments.
 - Vicinity of corrosive fumes.
 - Vicinity of combustible materials.
 - Risk of gas or dust explosion.



NOTE Damage hazard

- Do not expose the device to a heat source (such as direct sunlight or heating). Avoid additional heating of the device this way.
- Setup the device in a dry location where it is protected against splashing water.
- Do not install the device in a dusty environment.
- Make sure that the mounting surface is capable of supporting the weight of the device.
- Use ductwork or cable ducts if it is necessary to lay cables through metal panels or other panels with sharp edges.
- Lay the cables so that they cannot be damaged by the doors or the bonnet.
- Do not lay the 230 V mains cable and the 12 V DC cable in the same duct.
- Do not lay the cable so that it is loose or heavily kinked.
- Fasten the cables securely.
- Do not pull on the cables.
- Always use sockets which are grounded and secured by residual current circuit breakers.
- Make sure that the lead has a sufficient cross-section.

- Make sure the air inlets and outlets of the device are not covered.
- Ensure good ventilation.

Scope of delivery

Quantity	Description
1	Pure sine wave inverter
1	Installation and operating manual
2	1.2 m battery cable with M8 lugs.
1	1.2 m mains cable
1	5 m extension cable with RJ12 plugs for remote control
1	Extension cable adapter

Accessories

Description	SKU
Fuse set 80 A (for MT600)	9620000210 (MT06080)
Fuse set 175 A (for MT1200)	9620000217 (MT06175)
Fuse set 250 A (for MT1700)	9620000166 (MT06250)
5m extension cable with RJ12 plugs for remote control	9620000171 (MT02005)

Target group



The electrical installation and setup of the device must be performed by a qualified electrician who has demonstrated skill and knowledge related to the construction and operation of electrical equipment and installations, and who is familiar with the applicable regulations of the country in which the equipment is to be installed and/or used, and has received safety training to identify and avoid the hazards involved.

All other actions are intended also for non-professional users.

Intended use

The device is intended to supply 230 V to connected sockets.

The device is intended for indoor use.

This product is only suitable for the intended purpose and application in accordance with these instructions.

This manual provides information that is necessary for proper installation and/or operation of the product. Poor installation and/or improper operating or maintenance will result in unsatisfactory performance and a possible failure.

The manufacturer accepts no liability for any injury or damage to the product resulting from:

- Incorrect assembly or connection, including excess voltage
- Incorrect maintenance or use of spare parts other than original spare parts provided by the manufacturer
- Alterations to the product without express permission from the manufacturer
- Use for purposes other than those described in this manual

Dometic reserves the right to change product appearance and product specifications.

Technical description

The device is a DC to AC true sine-wave inverter, specially adapted to for devices with high current ramp up (e.g. air conditioning compressors).

Additionally, the device offers features like:

- Integrated microprocessor controlled switching technology
- Crystal-stabilized AC output
- Integrated mains priority transfer circuit (-N models only)
- Electric and thermal overload protection
- Configurable low voltage cut-off thresholds
- Overvoltage protection
- Temperature and input current controlled fan
- Power saving function with configurable thresholds for load detection and delay time for automatic switch-off

- Rotatable display panel that can be used as remote control

Installing the device

Mounting instructions

- The device can be mounted in any position.
- For proper cooling, leave - at least - 200 mm free space around all sides of the device (fig. **5**, page 5).
- The remote control should be installed in an accessible place.

Mounting the device



NOTICE! Damage hazard

Before drilling any holes, make sure that no electrical cables or other parts of the vehicle can be damaged by drilling, sawing and filing.

1. Mark and drill 4 holes on the mounting surface (fig. **6**, page 5).
2. Fasten the device securely (fig. **6**, page 5).

Mounting the display panel



NOTICE! Damage hazard

Before drilling any holes, make sure that no electrical cables or other parts of the vehicle can be damaged by drilling, sawing and filing.

The display panel can be removed and reinstalled in any position on the device. To reposition the display panel perform the following steps:

1. Remove the display panel by unfastening the screws (fig. **2**, page 3, **1**).
2. Reposition the display panel (fig. **2**, page 3).
3. Fasten the screws (fig. **2**, page 3, **1**).

The display panel can also be used as a remote control. To install the display panel in a remote location perform the following steps:

1. Remove the display panel by unfastening the screws (fig. **2**, page 3, **1**).
2. Disconnect the cable between the display panel and the device (fig. **3**, page 4, **3**).

- Cut out the mounting surface and drill 2 holes (fig. **4**, page 4).
- Connect the display panel to the device using the extension cable.
- Install the display panel using appropriate fasteners (fig. **2**, page 3, **1**).

Connecting the device

- Lay all the necessary lines.
- Plan the distribution and fuse protection of the circuits carefully. The battery fuse should be installed as close to the battery as possible. The suggested distance is within 150 mm.
- The grounding connection on the device should be connected to the ground. Use cable with cross-section of 4 mm².
- Make sure that all lines are inserted and connected properly.
- Secure all lines with strain relief clamps.
- Connect the device unit as shown (fig. **1**, page 3).



NOTICE! Damage hazard

Battery cables must not be connected to the battery in reverse polarity, otherwise damage to the device may occur.

fig. 1 , page 3	Description	
1	Fuse	10 A, reversible
2	Grounding terminal	M5
3	Link terminal	N/PE
4	Output socket	230 V AC
5	Input socket	External mains
6	Black cable (-)	M8 lugs
7	Orange cable (+)	M8 lugs
8	Battery	

- Make sure that all fasteners are properly tightened and connections are secure, including the connections at the fuse.

Connecting neutral line to ground



WARNING! Electrocutation hazard

The installation may only be carried out by a qualified electrician.

In applications where the inverter supplies multiple sockets, a protective device must be used (fig. **9**, page 7). In this case the connection of the neutral (N) line to the protective ground (PE) is required.

- Strip both ends of a wire with 4 mm² cross-section (fig. **10**, page 7, **1**).
- Using a screwdriver release the locking tab.
- Insert the wire into the link terminal (fig. **10**, page 7, **2**).
- Using a screwdriver fasten the locking tab.

Using the device

Display panel

fig. 2 , page 3	Description	
2	On/Off button	
3	Inverter LED	
4	Automatic LED	
5	Line LED	
6	< 50% LED	Load indicator
7	< 100% LED	Load indicator
8	Overload LED	Overload indicator

Mains priority switching

The switch between inverter and mains operation takes place automatically. Priority is given to mains operation. If mains voltage is present at input socket (fig. **1**, page 3, **5**), the device switches to external mains and supplies the voltage to the output socket (fig. **1**, page 3, **4**). The inverter is automatically switched off completely and no longer draws any power from the battery. This state is indicated by the *LINE* LED (fig. **2**, page 3, **5**).

As long as the mains voltage is applied, the inverter cannot be switched on again. If no external voltage is fed in, the device works as a pure inverter.

Direct supply of consumers at the inverter

All devices offer a power outlet for direct connection of 230 V AC consumers (fig. **7**, page 6).

Inverter supply to multiple sockets



WARNING! Electrocuting hazard

The installation may only be carried out by a qualified electrician.

The device can supply 230 V AC to multiple sockets at once. In case of using multiple sockets, the appropriate protective device must be installed (fig. **8**, page 6).

After connecting the inverter to the battery, the device is ready for operation.

► To turn the inverter on, shortly press the *ON/OFF* button on the display panel (fig. **2**, page 3, **2**).

The *INVERTER* LED (fig. **2**, page 3, **3**) indicates operational readiness. After an internal self-test of the entire system, two or three short and one long beep is signaled. Then, the inverter is ready to use.

Automatic mode

The inverter starts up in automatic mode. This mode is indicated by the *INVERTER* (fig. **2**, page 3, **3**) and *AUTOMATIC* (fig. **2**, page 3, **4**) LEDs on the display panel. The automatic mode helps to save battery energy for larger consumers. Large consumers are often only switched on for a short time or at intervals, while the inverter permanently loads the battery.

When switched on, the inverter constantly checks the connected load. As long as the connected device is switched on, the inverter provides the required power. When the connected device is switched off, the inverter detects this state and automatically switches to standby mode after a very short observation time. This is indicated by the flashing of the *AUTOMATIC* LED on the display panel (fig. **2**, page 3, **4**). The inverter now checks every second whether a load is connected to the output. If it does not find a consumer in standby mode within the preset interval, it

switches off completely and can only be restarted with the *ON/OFF* button (fig. **2**, page 3, **2**). The standby operation can be adapted to custom requirements, by setting the standby load threshold and the duration of the standby scan.

To adjust the standby criteria, perform the following steps:

1. Remove the display panel by unfastening the screws (fig. **2**, page 3, **1**).
2. Adjust the load threshold using the DIP switch 1 (fig. **3**, page 4, **4**).
3. Adjust the standby scan time using the DIP switch 2 (fig. **3**, page 4, **4**).

Permanent operation (without standby function)

To operate the inverter with very low power consumers, such as battery chargers and radios, the standby function must be deactivated. If the connected device is switched off, the inverter continues to run and permanently loads the battery with approximately 6 to 10 W.

All inverters can be started with the standby function disabled.

► To turn the inverter on with standby function disabled, press the *ON/OFF* button on the display panel for 3 seconds (fig. **2**, page 3, **2**).

This operation mode is indicated by the constantly lit *INVERTER* LED (fig. **2**, page 3, **4**) on the display panel. The *AUTOMATIC* LED (fig. **2**, page 3, **4**) turns off.

To disable the standby function, perform the following steps:

1. Remove the display panel by unfastening the screws (fig. **2**, page 3, **1**).
2. Set the DIP switch 3 (fig. **3**, page 4, **4**) to *OFF* position.

Permanent mode

In the permanent operation mode, the inverter starts automatically as soon as it is connected to a battery. The inverter only switches off when the external 230 V mains voltage is applied. After removing the external mains voltage, the inverter starts operating independently again. In this mode, the function of the **ON/OFF** button (fig. **2**, page 3, **2**) on the display panel is disabled.

To enable the permanent mode, perform the following steps:

1. Remove the display panel by unfastening the screws (fig. **2**, page 3, **1**).
2. Set the DIP switch 4 (fig. **3**, page 4, **4**) to **ALWAYS ON** position.

Troubleshooting

Status	Overload LED	< 100% LED	< 50% LED	Inverter LED	Acoustic signal
Output failure	Flashing	Flashing	Flashing	Off/Flashing ¹	3 second beep/break
Output short circuit	Flashing	Flashing	Off	Off/Flashing ¹	2x short beep/1x long beep/break
Overload	Flashing	Off	Off	Off/Flashing ¹	6x/break
Overtemperature	Flashing	On	Off	Off/Flashing ¹	8x/break
Undervoltage	Off	Off	Off	Off/Flashing ¹	4x/break
Overvoltage	Off	Off	Off	Off/Flashing ¹	2x/break
Internal failure	Off	Off	Off	Flashing	continuous

¹Duration and temperature dependent.

If the inverter has stopped operation because of one of the previously described reasons, a manual restart can be done.

► To manually restart the inverter, switch off at the device switch or press the **ON/OFF** button at the display panel (fig. **2**, page 3, **2**).

If after the reboot there is still a parameter over or below the limit values, the start is prevented, and the corresponding LED and acoustic signal sequence signals a failure.

Cleaning and maintenance



WARNING! Electrocution hazard

Always disconnect the mains plug before you clean and service the device.



NOTICE! Damage hazard

Never clean the device under running water or in dish washer. Do not use abrasive cleaning agents or hard objects during cleaning as these can damage the device.

► Occasionally clean the product with compressed air.



NOTICE! Damage hazard

In case of overtemperature, wait 5 to 10 minutes for cooling down the device before restart.



NOTICE! Damage hazard

In case of overload, turn off the load and reduce the connected consumers. Avoid further starts with overload.

Warranty

The statutory warranty period applies. If the product is defective, please contact your retailer or the manufacturer's branch in your country (see dometic.com/dealer).

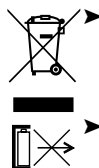
For repair and warranty processing, please include the following documents when you send in the product:

- A copy of the receipt with purchasing date
- A reason for the claim or description of the fault

Note that self-repair or nonprofessional repair can have safety consequences and might void the warranty.

Disposal

Recycling products with non-replaceable batteries, rechargeable batteries or light sources



If the product contains any non-replaceable batteries, rechargeable batteries or light sources, you don't have to remove them before disposal.



If you wish to finally dispose of the product, ask your local recycling center or specialist dealer for details about how to do this in accordance with the applicable disposal regulations.

- The product can be disposed free of charge.


Recycling packaging material



Place the packaging material in the appropriate recycling waste bins wherever possible.

Technical Data

	MT 600 SI-N	MT 1200 SI/SI-N	MT 1700 SI/SI-N
Input nominal voltage	12 V $\overline{=}$		
Input voltage range	10.5 - 15 V $\overline{=}$		
Minimum battery capacity (depending on consumer)	> 80 Ah	> 110 Ah	> 150 Ah
Battery cables (1.2 m long)	2 × 10 mm ²	2 × 25 mm ²	2 × 35 mm ²
Recommended battery fuse	80 A	175 A	250 A
Output voltage	230 V \sim		
Output frequency	50 Hz		
Continuous power (at 30°C)	600 W	1200 W	1700 W
Short-term power	840 W	1400 W	2100 W
Peak power	1200 W	2000 W	3000 W
DC consumption at rated power	56 A	115 A	165 A
Maximum DC consumption at overload	90 A	140 A	200 A
Power factor of consumers	Everything is allowed.		
Maximum battery voltage	16.0 V		
Minimum battery voltage (load-dependent, dynamic)	10.5 V	10.7 V	10.7 V
Idle consumption approximately (without load)	6 W	8 W	10 W
Standby consumption approximately (without load)	5 W	3 W	5 W

	MT 600 SI-N	MT 1200 SI/SI-N	MT 1700 SI/SI-N
Shutdown criterion for standby	< 15 W / 60 W	< 25 W / 60 W	< 25 W / 60 W
Standby hold time	30 seconds		
Standby duration	5/10 minutes		
Protection	Overload, over-temperature.		
Cooling	Stepless temperature-controlled fan.		
Automatic mains switching (-N models only) load capacity	2300 W		
Protection class/IP rating	I/II, IP21	II, IP21	II,IP21
Weight	3750 g	6000 g	7600 g
Dimensions (L × H × W), in mm	335 × 270 × 72	400 × 300 × 70	460 × 300 × 70
Maximum humidity	95%, non-condensing		
Certification			

Lesen und befolgen Sie bitte alle Anweisungen, Richtlinien und Warnhinweise in diesem Produkthandbuch sorgfältig, um sicherzustellen, dass Sie das Produkt ordnungsgemäß installieren und stets ordnungsgemäß betreiben und warten. Diese Anleitung MUSS bei dem Produkt verbleiben.

Durch die Verwendung des Produktes bestätigen Sie hiermit, dass Sie alle Anweisungen, Richtlinien und Warnhinweise sorgfältig gelesen haben und dass Sie die hierin dargelegten Bestimmungen verstanden haben und ihnen zustimmen. Sie erklären sich damit einverstanden, dieses Produkt nur für den angegebenen Verwendungszweck und gemäß den Anweisungen, Richtlinien und Warnhinweisen dieses Produkthandbuchs sowie gemäß allen geltenden Gesetzen und Vorschriften zu verwenden. Eine Nichtbeachtung der herein enthaltenen Anweisungen und Warnhinweise kann zu einer Verletzung Ihrer selbst und anderer Personen, zu Schäden an Ihrem Produkt oder zu Schäden an anderem Eigentum in der Umgebung führen. Dieses Produkthandbuch, einschließlich der Anweisungen, Richtlinien und Warnhinweise, sowie die zugehörige Dokumentation können Änderungen und Aktualisierungen unterliegen. Aktuelle Produktinformationen finden Sie unter documents.dometic.com.

Inhalt

Erläuterung der Symbole	16
Sicherheitshinweise	16
Lieferumfang	17
Zubehör	17
Zielgruppe	18
Bestimmungsgemäßer Gebrauch	18
Technische Beschreibung	18
Gerät installieren	19
Verwendung des Geräts	20
Reinigung und Pflege	22
Fehlersuche und Fehlerbehebung	22
Garantie	23
Entsorgung	23

Erläuterung der Symbole



WARNUNG!

Sicherheitshinweis: Kennzeichnet eine Gefahrensituation, die zum Tod oder schwerer Verletzung führen könnte, wenn die jeweiligen Anweisungen nicht befolgt werden.



VORSICHT!

Sicherheitshinweis: Kennzeichnet eine Gefahrensituation, die zu geringer oder mittelschwerer Verletzung führen könnte, wenn die jeweiligen Anweisungen nicht befolgt werden.



ACHTUNG!

Kennzeichnet eine Situation, die zu Sachschäden führen kann, wenn die jeweiligen Anweisungen nicht befolgt werden.



HINWEIS

Ergänzende Informationen zur Bedienung des Produktes.

Sicherheitshinweise



GEFAHR! Nichtbeachtung dieser Warnungen führt zum Tod oder schwerer Verletzung.

Brandgefahr/brennbare Materialien

- Verwenden Sie im Brandfall einen Feuerlöscher, der für elektrische Geräte geeignet ist.

Gefahr durch Stromschlag

- Achten Sie darauf, dass sich nie die rote und die schwarze Klemme berühren.
- Wenn das Gerät selbst oder das Anschlusskabel sichtbare Beschädigungen aufweist, dürfen Sie das Gerät nicht in Betrieb nehmen.
- Wenn das Anschlusskabel des Geräts beschädigt ist, muss es durch den Hersteller, einen Kundendienstmitarbeiter oder eine ähnlich qualifizierte Person ersetzt werden, um Gefährdungen zu vermeiden.
- Teile des Geräts können auch nach Auslösen der Sicherung noch Spannung führen.
- Reparaturen an diesem Gerät dürfen nur von Fachkräften durchgeführt werden. Durch unsachgemäße Reparaturen können erhebliche Gefahren entstehen.
- Wenn Sie an elektrischen Anlagen arbeiten, stellen Sie sicher, dass jemand in der Nähe ist, der Ihnen im Notfall helfen kann.
- Trennen Sie vor der Demontage des Geräts alle Anschlüsse und stellen Sie sicher, dass an den Ein- und Ausgängen keine Spannung anliegt.
- Fassen Sie nie mit bloßen Händen an blanke Leitungen. Dies gilt vor allem beim Betrieb am Wechselstromnetz.

- Trennen Sie das Gerät von der Stromversorgung, bevor Sie folgende Arbeiten durchführen:
 - Reinigung und Pflege.
 - Austauschen einer Sicherung.
- Lösen Sie keine Kabel, wenn das Gerät noch in Betrieb ist.
- Achten Sie vor der Inbetriebnahme darauf, dass Zuleitung und Stecker trocken sind.
- Um bei Gefahr das Gerät schnell vom Netz trennen zu können, muss sich die Steckdose in der Nähe des Gerätes befinden und leicht zugänglich sein.

Gesundheitsgefahr

- Dieses Gerät kann von Kindern ab 8 Jahren und von Personen mit verringerten physischen, sensorischen oder mentalen Fähigkeiten oder Mangel an Erfahrung und/oder Wissen verwendet werden, wenn diese Personen überwacht oder im sicheren Gebrauch des Gerätes unterwiesen wurden und die daraus resultierenden Gefahren verstanden haben.
- Benutzen Sie das Gerät außerhalb der Reichweite von Kindern.
- Kinder müssen beaufsichtigt werden, um sicherzustellen, dass sie nicht mit dem Gerät spielen.
- Reinigung und Benutzerwartung dürfen nicht durch unbeaufsichtigte Kinder durchgeführt werden.

Verletzungsgefahr

- Verlegen Sie die Leitungen so, dass keine Stolpergefahr besteht und eine Beschädigung des Kabels ausgeschlossen ist.

Explosionsgefahr

- Betreiben Sie das Gerät nicht unter folgenden Umständen:
 - in feuchten oder nassen Umgebungen.
 - in der Nähe von korrosiven Dämpfen.
 - in der Nähe von brennbaren Materialien.
 - bei Gefahr einer Gas- oder Staubexplosion.



HINWEIS Beschädigungsgefahr

- Setzen Sie das Gerät keiner Wärmequelle (Sonneneinstrahlung, Heizung usw.) aus. Vermeiden Sie so eine zusätzliche Erwärmung des Gerätes.
- Stellen Sie das Gerät an einem trockenen Ort auf, an dem es vor Spritzwasser geschützt ist.
- Das Gerät darf nicht in staubigen Umgebungen eingebaut werden.

- Stellen Sie sicher, dass die Montagefläche das Gewicht des Geräts tragen kann.
- Benutzen Sie Leerrohre oder Leitungsdurchführungen, wenn Leitungen durch Blechwände oder andere scharfkantige Wände geführt werden müssen.
- Verlegen Sie die Leitungen so, dass sie nicht durch Türen oder Motorhauben beschädigt werden.
- Verlegen Sie 230-V-Netzleitung und 12-V-Gleichstromleitung nicht zusammen im gleichen Leitungskanal (Leerrohr).
- Verlegen Sie Leitungen nicht lose oder scharf abgeknickt.
- Befestigen Sie die Leitungen sicher.
- Ziehen Sie nicht an den Leitungen.
- Verwenden Sie stets geerdete und durch FI-Schutzschalter gesicherte Steckdosen.
- Achten Sie auf einen ausreichenden Leitungsquerschnitt.
- Achten Sie darauf, dass Luftein- und -auslässe des Geräts nicht verdeckt werden.
- Achten Sie auf eine gute Belüftung.

Lieferumfang

Anzahl	Beschreibung
1	Reiner Sinus-Wechselrichter
1	Montage- und Bedienungsanleitung
2	1,2 m langes Batteriekabel mit M8-Kabelschuhen
1	1,2 m langes Netzkabel
1	5 m langes Verlängerungskabel mit RJ12-Steckern für die Fernbedienung
1	Verlängerungskabeladapter

Zubehör

Beschreibung	SKU
Sicherungssatz 80 A (für MT600)	9620000210 (MT06080)
Sicherungssatz 175 A (für MT1200)	9620000217 (MT06175)

Beschreibung	SKU
Sicherungssatz 250 A (für MT1700)	9620000166 (MT06250)
5 m langes Verlängerungskabel mit RJ12-Steckern für die Fernbedienung	9620000171 (MT02005)

Zielgruppe



Die elektrische Installation und Einrichtung des Geräts müssen von einer qualifizierten Elektrofachkraft durchgeführt werden, der seine Fähigkeiten und Kenntnisse im Zusammenhang mit dem Aufbau und der Bedienung von elektrischen Geräten und Installationen unter Beweis gestellt hat und der mit den geltenden Vorschriften des Landes, in dem das Gerät installiert und/oder verwendet werden soll, vertraut ist und eine Sicherheitsschulung erhalten hat, um die damit verbundenen Gefahren zu erkennen und zu vermeiden.

Alle anderen Aktionen sind auch für nicht-professionelle Benutzer bestimmt.

Bestimmungsgemäßer Gebrauch

Das Gerät ist für die Versorgung angeschlossener Steckdosen mit 230 V vorgesehen.

Das Gerät ist für die Verwendung in Innenräumen vorgesehen.

Dieses Produkt ist nur für den angegebenen Verwendungszweck und die Anwendung gemäß dieser Anleitung geeignet.

Dieses Handbuch enthält Informationen, die für die ordnungsgemäße Installation und/oder den ordnungsgemäßen Betrieb des Produkts erforderlich sind. Installationsfehler und/oder ein nicht ordnungsgemäßer Betrieb oder eine nicht ordnungsgemäße Wartung haben eine unzureichende Leistung und u. U. einen Ausfall des Geräts zur Folge.

Der Hersteller übernimmt keine Haftung für Verletzungen oder Schäden am Produkt, die durch Folgendes entstehen:

- Unsachgemäße Montage oder falscher Anschluss, einschließlich Überspannung
- Unsachgemäße Wartung oder Verwendung von anderen als den vom Hersteller gelieferten Original-Ersatzteilen
- Veränderungen am Produkt ohne ausdrückliche Genehmigung des Herstellers
- Verwendung für andere als die in der Anleitung beschriebenen Zwecke

Dometic behält sich das Recht vor, das Erscheinungsbild des Produkts und dessen technische Daten zu ändern.

Technische Beschreibung

Das Gerät ist ein Wechselrichter mit reiner Sinuswelle, der speziell für Geräte mit hohem Anlaufstrom (z. B. Klimaanlagekompressoren) ausgelegt ist.

Darüber hinaus bietet das Gerät unter anderem folgende Merkmale:

- Integrierte mikroprozessorgesteuerte Schaltungstechnologie
- Quarzstabilisierter Wechselstromausgang
- Integrierter Netzvorrangumschaltkreis (nur Modelle -N)
- Elektrischer und thermischer Überlastschutz
- Konfigurierbare Unterspannungs-Abschalt-schwellenwerte
- Überspannungsschutz
- Temperatur- und eingangsstromgesteuerter Lüfter
- Stromsparfunktion mit konfigurierbaren Schwellenwerten für Lasterkennung und Verzögerungszeit für automatische Abschaltung
- Drehbare Anzeigetafel, die als Fernbedienung verwendet werden kann

Gerät installieren

Montagehinweise

- Das Gerät kann in einer beliebigen Position montiert werden.
- Lassen Sie für eine ausreichende Kühlung auf allen Seiten des Geräts einen Freiraum von – mindestens – 200 mm (Abb. **5**, Seite 5).
- Die Fernsteuerung sollte an einem zugänglichen Ort installiert werden.

Gerät montieren



ACHTUNG! Beschädigungsgefahr

Vor dem Anbringen von Bohrungen ist sicherzustellen, dass keine elektrischen Kabel oder andere Teile des Fahrzeugs durch Bohren, Sägen und Feilen beschädigt werden können.

1. Markieren und bohren Sie 4 Löcher auf der Montagefläche (Abb. **6**, Seite 5).
2. Befestigen Sie das Gerät sicher (Abb. **6**, Seite 5).

Anzeigetafel montieren



ACHTUNG! Beschädigungsgefahr

Vor dem Anbringen von Bohrungen ist sicherzustellen, dass keine elektrischen Kabel oder andere Teile des Fahrzeugs durch Bohren, Sägen und Feilen beschädigt werden können.

Die Anzeigetafel kann aus- und an einer beliebigen Position am Gerät wieder eingebaut werden. Führen Sie die folgenden Schritte aus, um die Anzeigetafel neu zu positionieren:

1. Bauen Sie die Anzeigetafel aus, indem Sie die Schrauben lösen (Abb. **2**, Seite 3, **1**).
2. Positionieren Sie die Anzeigetafel neu (Abb. **2**, Seite 3).
3. Ziehen Sie die Schrauben fest (Abb. **2**, Seite 3, **1**).

Die Anzeigetafel kann auch als Fernbedienung verwendet werden. Führen Sie die folgenden Schritte durch, um die Anzeigetafel an einer entfernten Position zu montieren:

1. Bauen Sie die Anzeigetafel aus, indem Sie die Schrauben lösen (Abb. **2**, Seite 3, **1**).
2. Ziehen Sie das Kabel zwischen der Anzeigetafel und dem Gerät ab (Abb. **3**, Seite 4, **3**).
3. Schneiden Sie die Montagefläche aus und bohren Sie 2 Löcher (Abb. **4**, Seite 4).
4. Schließen Sie die Anzeigetafel mit dem Verlängerungskabel an das Gerät an.
5. Bringen Sie die Anzeigetafel mit den entsprechenden Befestigungselementen an (Abb. **2**, Seite 3, **1**).

Anschluss des Geräts

1. Verlegen Sie die nötigen Leitungen.
2. Planen Sie die Aufteilung und Absicherung der Stromkreise sorgfältig. Die Batteriesicherung sollte so nah wie möglich an der Batterie installiert werden. Der empfohlene Abstand liegt innerhalb von 150 mm.
3. Der Erdungsanschluss des Geräts muss mit der Masse verbunden werden. Verwenden Sie ein Kabel mit einem Querschnitt von 4 mm².
4. Stellen Sie sicher, dass alle Leitungen ordnungsgemäß eingeführt und angeklemt sind.
5. Sichern Sie alle Leitungen mit den Zugentlastungen.
6. Schließen Sie die Geräteeinheit wie gezeigt an (Abb. **1**, Seite 3).



ACHTUNG! Beschädigungsgefahr

Batteriekabel dürfen nicht verpolt an die Batterie angeschlossen werden, da sonst das Gerät beschädigt werden könnte.

Abb. 1, Seite 3 Beschreibung

1	Sicherung	10 A, selbstrückstellend
2	Erdungsanschluss	M5
3	Verbindungsklemme	N/PE
4	Ausgangsbuchse	230 Volt AC
5	Eingangsbuchse	Externes Netz

Verwendung des Geräts

Anzeigetafel

Abb. 2, Seite 3 Beschreibung

2	Taste Ein/Aus	
3	LED für Wechselrichter	
4	LED für Automatikbetrieb	
5	Netz-LED	
6	LED < 50 %	Lastanzeige
7	LED < 100 %	Lastanzeige
8	LED für Überlastanzeige	Überlastanzeige

Netzvorrangschaltung

Die Umschaltung zwischen Wechselrichter und Netzbetrieb erfolgt automatisch. Der Netzbetrieb hat Vorrang. Wenn an der Eingangsbuchse (Abb. 1, Seite 3, 5) Netzspannung anliegt, schaltet das Gerät auf das externe Stromnetz um und versorgt die Ausgangssteckdose (Abb. 1, Seite 3, 4) mit Netzspannung. Der Wechselrichter wird automatisch komplett abgeschaltet und zieht keinen Strom mehr von der Batterie. Dieser Zustand wird durch die LED *LINE* angezeigt (Abb. 2, Seite 3, 5).

Solange die Netzspannung anliegt, lässt sich der Wechselrichter nicht wieder einschalten. Wird keine externe Spannung eingespeist, arbeitet das Gerät als reiner Wechselrichter.

Direkte Versorgung von Verbrauchern am Wechselrichter

Alle Geräte verfügen über eine Steckdose für den direkten Anschluss von 230-V-Wechselstromverbrauchern (Abb. 7, Seite 6).

Abb. 1, Seite 3 Beschreibung

6	Schwarzes Kabel (-)	M8-Kabelschuhe
7	Oranges Kabel (+)	M8-Kabelschuhe
8	Batterie	

7. Stellen Sie sicher, dass alle Befestigungselemente ordnungsgemäß angezogen sind und die Anschlüsse, einschließlich der Anschlüsse an der Sicherung, fest sitzen.

Neutralleiter an Masse anschließen



WARNUNG! Gefahr durch Stromschlag

Die Installation darf nur durch einen qualifizierten Elektriker durchgeführt werden.

Bei Anwendungen, bei denen der Wechselrichter mehrere Steckdosen versorgt, muss eine Schutzvorrichtung verwendet werden (Abb. 9, Seite 7). In diesem Fall ist ein Anschluss des Neutralleiters (N) an die Schutzerdung (PE) erforderlich.

1. Isolieren Sie beide Enden eines Kabels mit einem Querschnitt von 4 mm^2 ab (Abb. 10, Seite 7, 1).
2. Lösen Sie mit einem Schraubendreher die Sicherungsglasche.
3. Setzen Sie den Kabeldraht in die Verbindungsklemme ein (Abb. 10, Seite 7, 2).
4. Befestigen Sie mit einem Schraubendreher die Sicherungsglasche.

Versorgung mehrerer Steckdosen durch den Wechselrichter



WARNUNG! Gefahr durch Stromschlag

Die Installation darf nur durch einen qualifizierten Elektriker durchgeführt werden.

Das Gerät kann mehrere Steckdosen gleichzeitig mit 230-V-Wechselstrom versorgen. Bei Verwendung von Mehrfachsteckdosen muss eine geeignete Schutzvorrichtung installiert werden (Abb. **8**, Seite 6).

Nach Anschluss des Wechselrichters an die Batterie ist das Gerät betriebsbereit.

► Um den Wechselrichter einzuschalten, drücken Sie kurz die Taste *ON/OFF* auf der Anzeigetafel (Abb. **2**, Seite 3, **2**).

Die LED *INVERTER* (Abb. **2**, Seite 3, **3**) zeigt die Betriebsbereitschaft an. Nach einem internen Selbsttest des gesamten Systems ertönen zwei oder drei kurze und ein langer Signalton. Anschließend ist der Wechselrichter betriebsbereit.

Automatikbetrieb

Der Wechselrichter startet im Automatikbetrieb. Diese Betriebsart wird durch die LEDs *INVERTER* (Abb. **2**, Seite 3, **3**) und *AUTOMATIC* (Abb. **2**, Seite 3, **4**) auf der Anzeigetafel angezeigt. Der Automatikmodus hilft, bei größeren Verbrauchern Batterieenergie zu sparen. Große Verbraucher werden oft nur kurzzeitig oder in Intervallen eingeschaltet, während der Wechselrichter die Batterie dauerhaft belastet.

Im eingeschalteten Zustand überprüft der Wechselrichter ständig die angeschlossene Last. Solange das angeschlossene Gerät eingeschaltet ist, liefert der Wechselrichter die benötigte Leistung. Wenn das angeschlossene Gerät ausgeschaltet wird, erkennt der Wechselrichter diesen Zustand und schaltet nach einer sehr kurzen Überwachungszeit automatisch in den Bereitschaftszustand. Dies wird durch Blinken der LED *AUTOMATIC* auf der Anzeigetafel angezeigt (Abb. **2**, Seite 3, **4**). Der Wechselrichter prüft nun im Sekundentakt, ob eine Last am Ausgang geschlossen ist. Findet er im

Bereitschaftszustand innerhalb des voreingestellten Intervalls keinen Verbraucher, schaltet er sich komplett ab und kann nur noch über die Taste *ON/OFF* neu gestartet werden (Abb. **2**, Seite 3, **2**). Der Bereitschaftszustand kann an benutzerdefinierte Anforderungen angepasst werden, indem der Bereitschafts-Lastschwollenwert und die Dauer der Bereitschaftsabfrage festgelegt werden.

Führen Sie die folgenden Schritte durch, um die Kriterien für den Bereitschaftszustand einzustellen:

1. Bauen Sie die Anzeigetafel aus, indem Sie die Schrauben lösen (Abb. **2**, Seite 3, **1**).
2. Stellen Sie den Lastschwollenwert mit dem DIP-Schalter 1 ein (Abb. **3**, Seite 4, **4**).
3. Stellen Sie die Bereitschaftsabfragezeit mit dem DIP-Schalter 2 ein (Abb. **3**, Seite 4, **4**).

Dauerbetrieb (ohne Bereitschaftsfunktion)

Für einen Betrieb des Wechselrichters mit sehr energiesparenden Verbrauchern, wie z. B. Batterieladegeräten und Funkgeräten, muss die Bereitschaftsfunktion deaktiviert werden. Wenn das angeschlossene Gerät ausgeschaltet wird, läuft der Wechselrichter weiter und belastet die Batterie dauerhaft mit ca. 6 bis 10 W.

Alle Wechselrichter können mit deaktivierter Bereitschaftsfunktion gestartet werden.

► Um den Wechselrichter mit deaktivierter Bereitschaftsfunktion einzuschalten, halten Sie die Taste *ON/OFF* auf der Anzeigetafel 3 Sekunden lang gedrückt (Abb. **2**, Seite 3, **2**).

Diese Betriebsart wird durch die konstant leuchtende LED *INVERTER* (Abb. **2**, Seite 3, **4**) auf der Anzeigetafel angezeigt. Die LED *AUTOMATIC* (Abb. **2**, Seite 3, **4**) erlischt.

Führen Sie die folgenden Schritte aus, um die Bereitschaftsfunktion zu deaktivieren:

1. Bauen Sie die Anzeigetafel aus, indem Sie die Schrauben lösen (Abb. **2**, Seite 3, **1**).
2. Schalten Sie den DIP-Schalter 3 (Abb. **3**, Seite 4, **4**) in die Stellung *OFF*.

Dauerbetrieb

Im Dauerbetrieb startet der Wechselrichter automatisch, sobald er an eine Batterie angeschlossen wird. Der Wechselrichter schaltet sich erst ab, wenn die externe 230-V-Netzspannung anliegt. Nach dem Entfernen der externen Netzspannung beginnt der Wechselrichter wieder selbstständig zu arbeiten. In dieser Betriebsart ist die Funktion der Taste **ON/OFF** (Abb. **2**, Seite 3, **2**) auf der Anzeigetafel deaktiviert.

Führen Sie die folgenden Schritte aus, um den Dauerbetrieb zu aktivieren:

1. Bauen Sie die Anzeigetafel aus, indem Sie die Schrauben lösen (Abb. **2**, Seite 3, **1**).
2. Schalten Sie den DIP-Schalter 4 (Abb. **3**, Seite 4, **4**) in die Stellung **ALWAYS ON**.

Reinigung und Pflege



WARNING! Gefahr durch Stromschlag

Ziehen Sie vor jeder Reinigung und Pflege den Netzstecker.



ACHTUNG! Beschädigungsgefahr

Reinigen Sie das Gerät niemals unter fließendem Wasser oder in einer Spülmaschine. Verwenden Sie zur Reinigung keine scharfen, scheuernden Reinigungsmittel oder harten Gegenstände, da diese das Gerät beschädigen können.

- Reinigen Sie das Produkt gelegentlich mit Druckluft.

Fehlersuche und Fehlerbehebung

Status	LED für Überlastanzeige	LED < 100 %	LED < 50 %	LED für Wechselrichter	Signalton
Fehler am Ausgang	Blinken	Blinken	Blinken	Aus/Blinkend ¹	Signalton 3 Sekunden/Pause
Kurzschluss am Ausgang	Blinken	Blinken	Aus	Aus/Blinkend ¹	2x kurzer Signalton/ 1x langer Signalton/Pause
Overload	Blinken	Aus	Aus	Aus/Blinkend ¹	6x/Pause
Übertemperatur	Blinken	On	Aus	Aus/Blinkend ¹	8x/Pause
Unterspannung	Aus	Aus	Aus	Aus/Blinkend ¹	4x/Pause
Überspannung	Aus	Aus	Aus	Aus/Blinkend ¹	2x/Pause
Interner Fehler	Aus	Aus	Aus	Blinken	Permanent

¹Zeit- und temperaturabhängig.

Wenn der Wechselrichter aus einem der zuvor beschriebenen Gründe den Betrieb gestoppt hat, kann ein manueller Neustart durchgeführt werden.

- Um den Wechselrichter manuell neu zu starten, schalten Sie ihn am Geräteschalter aus oder drücken Sie die Taste **ON/OFF** auf der Anzeigetafel (Abb. **2**, Seite 3, **2**).

Liegt nach dem Neustart noch ein Parameter über oder unter den Grenzwerten, wird der Start verhindert und die entsprechende LED- und Signaltonfolge signalisiert einen Ausfall.



ACHTUNG! Beschädigungsgefahr

Warten Sie im Fall einer Übertemperatur vor dem Neustart 5 bis 10 Minuten, damit sich das Gerät abkühlen kann.

**ACHTUNG! Beschädigungsgefahr**

Schalten Sie bei Überlast die Last aus und reduzieren Sie die Anzahl an angeschlossenen Verbrauchern. Vermeiden Sie weitere Starts mit Überlast.

Garantie

Es gilt die gesetzliche Gewährleistungsfrist. Sollte das Produkt defekt sein, wenden Sie sich bitte an Ihren Fachhändler oder die Niederlassung des Herstellers in Ihrem Land (siehe dome-tic.com/dealer).

Bitte senden Sie bei einem Reparatur- bzw. Garantieantrag folgende Unterlagen mit dem Produkt ein:

- Eine Kopie der Rechnung mit Kaufdatum
- Einen Reklamationsgrund oder eine Fehlerbeschreibung

Bitte beachten Sie, dass eigenständig oder nicht fachgerecht durchgeführte Reparaturen die Sicherheit gefährden und zum Erlöschen der Garantie führen können.

Entsorgung**Recycling von Produkten mit nicht auswechselbaren Batterien, wiederaufladbaren Batterien oder Leuchtmitteln**

Wenn das Produkt nicht auswechselbare Batterien, wiederaufladbare Batterien oder Leuchtmittel enthält, brauchen Sie diese vor der Entsorgung nicht zu entfernen.



Wenn Sie das Gerät endgültig entsorgen möchten, informieren Sie sich bitte bei Ihrem Wertstoffhof vor Ort oder bei Ihrem Fachhändler, wie dies gemäß den geltenden Entsorgungsvorschriften zu tun ist.



- Das Produkt kann kostenlos entsorgt werden.

Recycling von Verpackungsmaterial

➤ Geben Sie das Verpackungsmaterial möglichst in den entsprechenden Recycling-Müll.

Technische Daten

	MT 600 SI-N	MT 1200 SI/SI-N	MT 1700 SI/SI-N
Eingang – Nennspannung	12 V ---		
Eingang – Spannungsbereich	10,5–15 V ---		
Minimale Batteriekapazität (abhängig vom Verbraucher)	> 80 Ah	> 110 Ah	> 150 Ah
Batteriekabel (1,2 m lang)	2 × 10 mm ²	2 × 25 mm ²	2 × 35 mm ²
Empfohlene Batteriesicherung	80 A	175 A	250 A
Ausgangsspannung	230 V ~		
Ausgangsfrequenz	50 Hz		
Dauerleistung (bei 30 °C)	600 W	1200 W	1700 W
Kurzzeitige Leistung	840 W	1400 W	2100 W
Spitzenleistung	1200 W	2000 W	3000 W
Gleichstromaufnahme bei Nennleistung	56 A	115 A	165 A
Maximale Gleichstromaufnahme bei Überlast	90 A	140 A	200 A
Leistungsfaktor der Verbraucher	Alles zulässig.		
Maximale Batteriespannung	16,0 V		

	MT 600 SI-N	MT 1200 SI/SI-N	MT 1700 SI/SI-N
Minimale Batteriespannung (lastabhängig, dynamisch)	10,5 V	10,7 V	10,7 V
Leistungsaufnahme im Leerlauf ca. (ohne Last)	6 W	8 W	10 W
Leistungsaufnahme im Bereitschaftszustand ca. (ohne Last)	5 W	3 W	5 W
Abschaltkriterium für Bereitschaftszustand	< 15 W/60 W	< 25 W/60 W	< 25 W/60 W
Haltezeit für Bereitschaftszustand	30 Sekunden oder		
Dauer Bereitschaftszustand	5/10 Minuten		
Schutzfunktionen	Überlast, Übertemperatur.		
Kühlung	Stufenloser temperaturgesteuerter Lüfter.		
Automatische Netzumschaltung (nur Modelle -N) – Lastgrenze	2300 W		
Schutzklasse/IP-Schutzart	I/II, IP21	II, IP21	II, IP21
Gewicht	3750 g	6000 g	7600 g
Abmessungen (L × H × W), in mm	335 × 270 × 72	400 × 300 × 70	460 × 300 × 70
Maximale Luftfeuchtigkeit	95 %, nicht kondensierend		
Zertifikate	 		

Veillez lire et suivre attentivement l'ensemble des instructions, directives et avertissements figurant dans ce manuel afin de vous assurer que vous installez, utilisez et entretenez le produit correctement à tout moment. Ces instructions DOIVENT rester avec le produit.

En utilisant ce produit, vous confirmez expressément avoir lu attentivement l'ensemble des instructions, directives et avertissements et que vous comprenez et acceptez de respecter les modalités et conditions énoncées dans le présent document. Vous acceptez d'utiliser ce produit uniquement pour l'usage et l'application prévus et conformément aux instructions, directives et avertissements figurant dans le présent manuel, ainsi qu'à toutes les lois et réglementations applicables. En cas de non-respect des instructions et avertissements figurant dans ce manuel, vous risquez de vous blesser ou de blesser d'autres personnes, d'endommager votre produit ou d'endommager d'autres biens à proximité. Le présent manuel du produit, y compris les instructions, directives et avertissements, ainsi que la documentation associée peuvent faire l'objet de modifications et de mises à jour. Pour obtenir des informations actualisées sur le produit, veuillez consulter le site documents.dometic.com.

Sommaire

Signification des symboles	25
Consignes de sécurité	25
Contenu de la livraison	26
Accessoires	26
Groupe cible	27
Usage conforme	27
Description technique	27
Installation de l'appareil	27
Utilisation de l'appareil	29
Nettoyage et entretien	31
Dépannage	31
Garantie	32
Mise au rebut	32

Signification des symboles



AVERTISSEMENT !

Consignes de sécurité : indiquent une situation dangereuse qui, si elle n'est pas évitée, est susceptible d'entraîner des blessures graves, voire mortelles.



ATTENTION !

Consignes de sécurité : indiquent une situation dangereuse qui, si elle n'est pas évitée, est susceptible d'entraîner des blessures légères ou de gravité modérée.



AVIS !

indiquent une situation dangereuse qui, si elle n'est pas évitée, peut entraîner des dommages matériels.



REMARQUE

Informations complémentaires sur l'utilisation de ce produit.

Consignes de sécurité



DANGER ! Le non-respect de cette mise en garde entraînera des blessures graves, voire mortelles.

Risque d'incendie/matériaux inflammables

- En cas d'incendie, utilisez un extincteur adapté aux appareils électriques.

Risque d'électrocution

- Veillez à ce que la pince rouge et la pince noire ne se touchent jamais.
- Si l'appareil ou le câble de raccordement présentent des dommages visibles, n'utilisez pas l'appareil.
- Si le câble de raccordement en courant de l'appareil est endommagé, il doit être remplacé par le fabricant, un agent de service ou une personne de qualification similaire, afin d'éviter tout danger.
- Il se peut que certaines pièces de l'appareil restent sous tension, même après déclenchement du fusible.
- Seul un personnel qualifié est habilité à effectuer des réparations sur l'appareil. Toute réparation inappropriée risque d'entraîner de graves dangers.
- Lorsque vous effectuez des travaux sur des installations électriques, assurez-vous qu'une personne pouvant vous assister en cas d'urgence se trouve à proximité.
- Avant de démonter l'appareil, débranchez toutes les connexions et assurez-vous qu'aucune tension n'est présente au niveau des entrées et des sorties.
- Ne touchez jamais les câbles dénudés à mains nues. Cela est surtout valable en cas de fonctionnement sur secteur.
- Débranchez l'appareil du secteur avant d'effectuer les tâches suivantes :
 - Nettoyage et entretien.
 - Remplacement d'un fusible.

- Ne débranchez pas de câbles pendant le fonctionnement de l'appareil.
- Avant de mettre l'appareil en service, assurez-vous que la ligne d'alimentation électrique et le connecteur sont secs.
- Afin qu'il soit possible de couper rapidement l'appareil du secteur, la prise secteur doit se trouver à proximité de l'appareil et être facilement accessible.

Risque pour la santé

- Cet appareil peut être utilisé par des enfants âgés de 8 ans et plus et des personnes ayant des capacités physiques, sensorielles ou mentales réduites ou un manque d'expérience et de connaissances, s'ils sont sous surveillance ou ont reçu des instructions sur l'utilisation de l'appareil en toute sécurité et comprennent les risques impliqués.
- Stockez toujours l'appareil hors de portée des enfants.
- Les enfants doivent être surveillés pour s'assurer qu'ils ne jouent pas avec l'appareil
- Le nettoyage et l'entretien ne doivent pas être effectués par des enfants sans surveillance.

Risque de blessure

- Posez les câbles de manière à exclure tout risque de trébuchement ou d'endommagement du câble.

Risque d'explosion

- N'utilisez pas l'appareil dans les conditions suivantes :
 - dans des milieux humides.
 - à proximité de fumées corrosives.
 - à proximité de matériaux combustibles.
 - en présence de gaz et de poussières explosifs.



REMARQUE Risque d'endommagement

- N'exposez pas l'appareil à des sources de chaleur (rayonnement solaire, chauffage, etc.). Vous éviterez ainsi une surchauffe supplémentaire de l'appareil.
- Installez l'appareil dans un endroit sec et à l'abri des éclaboussures d'eau.
- L'appareil ne doit pas être monté dans des environnements poussiéreux.
- Assurez-vous que la surface de montage est capable de supporter le poids de l'appareil.

- Si des lignes électriques doivent traverser des cloisons en tôle ou autres murs à arêtes vives, utilisez des tubes vides ou des conduits pour câbles.
- Posez les câbles de manière à ce qu'ils ne puissent pas être endommagés par les portières ou par le capot du moteur.
- Ne placez pas les câbles 230 V et la ligne de courant continu 12 V dans le même conduit (tube vide).
- Ne posez pas les lignes sans les fixer ou en les pliant.
- Fixez les câbles solidement.
- Ne tirez pas sur les câbles.
- Utilisez uniquement des prises de courant mises à la terre protégées par un disjoncteur différentiel.
- Veillez à avoir une section de câble suffisante.
- Assurez-vous que les entrées et les sorties d'air de l'appareil ne sont pas couvertes.
- Veillez à une bonne ventilation.

Contenu de la livraison

Quantité	Description
1	Onduleur sinusoïdal (onde pure)
1	Instructions de montage et d'utilisation
2	Câble de batterie de 1,2 m avec cosses M8.
1	Câble secteur de 1,2 m
1	Câble d'extension de 5 m avec prises RJ12 pour la télécommande
1	Adaptateur du câble d'extension

Accessoires

Description	Référence produit
Jeu de fusibles 80 A (pour MT600)	9620000210 (MT06080)
Jeu de fusibles 175 A (pour MT1200)	9620000217 (MT06175)

Description	Référence produit
Jeu de fusibles 250 A (pour MT1700)	9620000166 (MT06250)
Câble d'extension de 5 m avec prises RJ12 pour la télécommande	9620000171 (MT02005)

- De modifications apportées au produit sans autorisation explicite du fabricant
- D'usages différents de ceux décrits dans ce manuel

Dometic se réserve le droit de modifier l'appareil et les spécifications produit.

Description technique

L'appareil est un onduleur sinusoïdal (onde pure) CC/CA, spécialement adapté aux dispositifs à courant de démarrage élevé (ex. : compresseurs de climatisation).

En outre, l'appareil offre des fonctionnalités telles que :

- Technologie de commutation contrôlée par microprocesseur intégré
- Sortie CA stabilisée à quartz
- Circuit de transfert de priorité secteur intégré (modèles -N uniquement)
- Protection contre les surcharges électriques et thermiques
- Seuils de coupure de basse tension configurables
- Protection contre la surtension
- Ventilateur à température et courant d'entrée contrôlés
- Fonction d'économie d'énergie avec seuils configurables pour la détection de charge et temporisation pour la mise hors tension automatique
- Panneau d'affichage rotatif pouvant être utilisé comme télécommande

Installation de l'appareil

Instructions de montage

- L'appareil peut être monté dans n'importe quelle position.
- Pour un refroidissement correct, observez un dégagement d'au moins 200 mm tout autour de l'appareil (fig. **5**, page 5).
- La télécommande doit être installée dans un endroit accessible.

Groupe cible



L'installation et la configuration électriques de l'appareil doivent être effectuées par un électricien qualifié disposant des compétences et connaissances structurelles et fonctionnelles requises en matière d'équipements et d'installations électriques, au fait des réglementations en vigueur dans le pays dans lequel l'équipement doit être installé et/ou utilisé, et ayant suivi une formation de sécurité pour identifier et éviter les dangers impliqués.

Toutes les autres actions sont également destinées aux utilisateurs non professionnels.

Usage conforme

L'appareil est conçu pour fournir une tension de 230 V aux prises connectées.

L'appareil est conçu pour un usage en intérieur.

Ce produit convient uniquement à l'usage et à l'application prévus, conformément aux présentes instructions.

Ce manuel fournit les informations nécessaires à l'installation et/ou à l'utilisation correcte du produit. Une installation, une utilisation ou un entretien inappropriés entraînera des performances insatisfaisantes et une éventuelle défaillance.

Le fabricant décline toute responsabilité en cas de blessure ou de dégâts sur le produit résultant :

- D'un montage ou d'un raccordement incorrect, y compris d'une surtension
- D'un entretien inadapté ou de l'utilisation de pièces de rechange autres que les pièces de rechange d'origine fournies par le fabricant

Montage de l'appareil



AVIS ! Risque d'endommagement

Avant de commencer à percer, assurez-vous qu'aucun câble électrique ou autre élément du véhicule ne risque d'être endommagé par le perçage, le sciage ou le limage.

1. Marquez et percez 4 trous dans la surface de montage (fig. **6**, page 5).
2. Fixez solidement l'appareil (fig. **6**, page 5).

Montage du panneau d'affichage



AVIS ! Risque d'endommagement

Avant de commencer à percer, assurez-vous qu'aucun câble électrique ou autre élément du véhicule ne risque d'être endommagé par le perçage, le sciage ou le limage.

Le panneau d'affichage peut être retiré et réinstallé dans n'importe quelle position sur l'appareil. Pour repositionner le panneau d'affichage, procédez comme suit :

1. Retirez le panneau d'affichage en desserrant les vis (fig. **2**, page 3, **1**).
2. Repositionnez le panneau d'affichage (fig. **2**, page 3).
3. Serrez les vis (fig. **2**, page 3, **1**).

Le panneau d'affichage peut également être utilisé comme télécommande. Pour installer le panneau d'affichage à distance, procédez comme suit :

1. Retirez le panneau d'affichage en desserrant les vis (fig. **2**, page 3, **1**).
2. Débranchez le câble entre le panneau d'affichage et l'appareil (fig. **3**, page 4, **3**).
3. Découpez la surface de montage et percez 2 trous (fig. **4**, page 4).
4. Connectez le panneau d'affichage à l'appareil à l'aide du câble d'extension.
5. Installez le panneau d'affichage à l'aide des attaches appropriées (fig. **2**, page 3, **1**).

Raccordement de l'appareil

1. Posez toutes les conduites nécessaires.

2. Planifiez soigneusement la distribution et la protection par fusible des circuits. Le fusible de la batterie doit être installé aussi près de la batterie que possible. La distance suggérée est de 150 mm.
3. Le contact de masse de l'appareil doit être relié à la terre. Utilisez un câble avec une section transversale de 4 mm².
4. Assurez-vous que toutes les lignes sont insérées et correctement branchées.
5. Sécurisez toutes les lignes avec des décharges de traction.
6. Raccordez l'appareil comme indiqué (fig. **1**, page 3).



AVIS ! Risque d'endommagement

Les câbles de la batterie ne doivent pas être connectés à la batterie en polarité inversée, sous peine d'endommager l'appareil.

fig. **1**,
page 3

Description

1	Fusible	10 A, réversible
2	Borne de masse	M5
3	Borne de liaison	N/PE
4	Connecteur de sortie	230 V CA
5	Connecteur d'entrée	Alimentation secteur externe
6	Câble noir (-)	Cosses M8
7	Câble orange (+)	Cosses M8
8	Batterie	

7. Assurez-vous que toutes les attaches sont correctement fixées et que les connexions sont bien serrées, y compris au niveau du fusible.

Connexion de la ligne neutre à la masse



AVERTISSEMENT ! Risque d'électrocution

L'installation peut uniquement être effectuée par un électricien qualifié.

Pour les applications où l'onduleur alimente plusieurs prises, un dispositif de protection doit être utilisé (fig. **9**, page 7). Dans ce cas, la connexion de la ligne neutre (N) à la masse (PE) est nécessaire.

1. Dénudez les deux extrémités d'un fil d'une section transversale de 4 mm² (fig. **10**, page 7, **1**).
2. À l'aide d'un tournevis, dégagez la languette de verrouillage.
3. Insérez le fil dans la borne de liaison (fig. **10**, page 7, **2**).
4. À l'aide d'un tournevis, fixez la languette de verrouillage.

Utilisation de l'appareil

Panneau d'affichage

fig. 2 , page 3	Description	
2	Touche MARCHE/ARRÊT	
3	Voyant DEL Onduleur	
4	Voyant DEL Automatique	
5	Voyant DEL Ligne	
6	Voyant DEL < 50 %	Indicateur de charge
7	Voyant DEL < 100 %	Indicateur de charge
8	Voyant DEL de surcharge	Voyant de surcharge

Commutation de priorité secteur

La commutation entre le mode Onduleur et le fonctionnement sur secteur s'effectue automatiquement. La priorité est donnée au fonctionnement sur secteur. En présence d'une tension secteur au niveau de la prise d'entrée (fig. **1**, page 3, **5**), l'appareil bascule sur le secteur externe et alimente la prise de sortie (fig. **1**, page 3, **4**). L'onduleur est automatiquement mis hors tension et ne consomme plus l'énergie de la batterie. Cet état est indiqué par le voyant DEL *LIGNE* (fig. **2**, page 3, **5**).

Tant que la tension secteur est appliquée, l'onduleur ne peut pas être remis sous tension. Si aucune tension externe n'est fournie, l'appareil fonctionne comme un onduleur pur.

Alimentation directe des consommateurs au niveau de l'onduleur

Tous les appareils disposent d'une prise d'alimentation pour la connexion directe de consommateurs 230 V CA (fig. **7**, page 6).

Alimentation de plusieurs prises via l'onduleur



AVERTISSEMENT ! Risque d'électrocution

L'installation peut uniquement être effectuée par un électricien qualifié.

L'appareil peut fournir une tension 230 VCA à plusieurs prises à la fois. En cas d'utilisation de plusieurs prises, le dispositif de protection approprié doit être installé (fig. **8**, page 6).

Après avoir connecté l'onduleur à la batterie, l'appareil est prêt à fonctionner.

► Pour mettre l'onduleur sous tension, appuyez brièvement sur le bouton *ON/OFF* du panneau d'affichage (fig. **2**, page 3, **2**).

Le voyant DEL *INVERTER* (fig. **2**, page 3, **3**) indique que l'appareil est prêt à fonctionner. Après un autotest interne de l'ensemble du système, deux ou trois signaux sonores courts et un signal sonore long sont émis. L'onduleur est ensuite prêt à être utilisé.

Mode automatique

L'onduleur démarre en mode Automatique. Ce mode est indiqué par les voyants DEL *INVERTER* (fig. **2**, page 3, **3**) et *AUTOMATIC* (fig. **2**, page 3, **4**) sur le panneau d'affichage. Le mode Automatique permet d'économiser l'énergie de la batterie pour les consommateurs importants. Les consommateurs importants sont souvent uniquement allumés pendant une courte période ou à intervalles réguliers, alors que l'onduleur charge la batterie en continu.

Lorsqu'il est allumé, l'onduleur vérifie continuellement la charge connectée. Tant que l'appareil connecté est sous tension, l'onduleur fournit la puissance requise. Lorsque l'appareil connecté est éteint, l'onduleur détecte cet état et passe automatiquement en mode Veille après un temps d'observation très court. Cet état est indiqué par le clignotement du voyant DEL *AUTOMATIC* sur le panneau d'affichage (fig. **2**, page 3, **4**). L'onduleur vérifie maintenant toutes les secondes si une charge est connectée à la sortie. S'il ne détecte aucun consommateur en mode Veille dans l'intervalle prédéfini, il s'éteint complètement et peut uniquement être redémarré avec le bouton *ON/OFF* (fig. **2**, page 3, **2**).

Le fonctionnement en mode Veille peut être adapté à des exigences personnalisées, en définissant le seuil de charge en veille et la durée de balayage en veille.

Pour ajuster les conditions de mise en veille, procédez comme suit :

1. Retirez le panneau d'affichage en desserrant les vis (fig. **2**, page 3, **1**).
2. Réglez le seuil de charge à l'aide du commutateur DIP 1 (fig. **3**, page 4, **4**).
3. Réglez le délai de balayage du mode Veille à l'aide du commutateur DIP 2 (fig. **3**, page 4, **4**).

Fonctionnement continu (sans fonction de veille)

Pour utiliser l'onduleur avec des consommateurs de très faible puissance, tels que les chargeurs de batterie et les radios, le mode Veille doit être désactivé. Si l'appareil connecté est éteint, l'onduleur continue de fonctionner et charge en permanence la batterie avec environ 6 à 10 W.

Tous les onduleurs peuvent être démarrés avec le mode Veille désactivé.

► Pour mettre l'onduleur sous tension avec le mode Veille désactivé, appuyez sur le bouton *ON/OFF* du panneau d'affichage pendant 3 secondes (fig. **2**, page 3, **2**).

Ce mode de fonctionnement est indiqué par l'allumage continu du voyant DEL *INVERTER* (fig. **2**, page 3, **4**) sur le panneau d'affichage. Le voyant DEL *AUTOMATIC* (fig. **2**, page 3, **4**) s'éteint.

Pour désactiver le mode Veille, procédez comme suit :

1. Retirez le panneau d'affichage en desserrant les vis (fig. **2**, page 3, **1**).
2. Réglez le commutateur DIP 3 (fig. **3**, page 4, **4**) sur la position *OFF*.

Mode Continu

En mode de fonctionnement continu, l'onduleur démarre automatiquement dès qu'il est connecté à une batterie. L'onduleur s'éteint uniquement lorsque la tension secteur 230 V externe est appliquée. En l'absence de tension secteur externe, l'onduleur recommence à fonctionner de manière indépendante. Dans ce mode, la fonction du bouton *ON/OFF* (fig. **2**, page 3, **2**) du panneau d'affichage est désactivée.

Pour activer le mode Continu, procédez comme suit :

1. Retirez le panneau d'affichage en desserrant les vis (fig. **2**, page 3, **1**).
2. Réglez le commutateur DIP 4 (fig. **3**, page 4, **4**) sur la position *ALWAYS ON*.

Nettoyage et entretien



AVERTISSEMENT ! Risque d'électrocution

Débranchez toujours la prise secteur avant de nettoyer et d'entretenir l'appareil.



AVIS ! Risque d'endommagement

Ne nettoyez jamais l'appareil sous l'eau ou dans un lave-vaisselle. N'utilisez ni détergents abrasifs, ni objets durs pour le nettoyage, ceux-ci pouvant endommager le dispositif.

► Nettoyez occasionnellement le produit à l'air comprimé.

Dépannage

État	Voyant DEL de surcharge	Voyant DEL < 100 %	Voyant DEL < 50 %	Voyant DEL Onduleur	Signal sonore
Panne en sortie	Clignote	Clignote	Clignote	Éteint/clignotant ¹	Signal sonore de 3 secondes/pause
Court-circuit en sortie	Clignote	Clignote	Arrêt	Éteint/clignotant ¹	2 signaux sonores courts/1 signal sonore long/pause
Overload	Clignote	Arrêt	Arrêt	Éteint/clignotant ¹	6x/pause
Surchauffe	Clignote	Marche	Arrêt	Éteint/clignotant ¹	8x/pause
Sous-tension	Arrêt	Arrêt	Arrêt	Éteint/clignotant ¹	4x/pause
Surtension	Arrêt	Arrêt	Arrêt	Éteint/clignotant ¹	2x/pause
Panne interne	Arrêt	Arrêt	Arrêt	Clignote	continu

¹En fonction de la durée et de la température.

Si l'onduleur a arrêté de fonctionner pour l'une des raisons décrites précédemment, un redémarrage manuel peut être effectué.

► Pour redémarrer manuellement l'onduleur, mettez-le hors tension à l'aide du commutateur de l'appareil ou appuyez sur le bouton **ON/OFF** du panneau d'affichage (fig. **2**, page 3, **2**).

Si après le redémarrage, le réglage est toujours supérieur ou inférieur aux valeurs limites, le démarrage est bloqué, puis la DEL et la séquence de signaux sonores correspondantes indiquent une défaillance.



AVIS ! Risque d'endommagement

En cas de surchauffe, attendez 5 à 10 minutes pour que l'appareil refroidisse avant de le redémarrer.



AVIS ! Risque d'endommagement

En cas de surcharge, désactivez la charge et réduisez le nombre de consommateurs connectés. Évitez les démarrages supplémentaires en cas de surcharge.

Garantie

La période de garantie légale s'applique. Si le produit est défectueux, contactez votre revendeur ou la filiale locale du fabricant (voir dometic.com/dealer).

Pour toutes réparations ou autres prestations de garantie, veuillez joindre au produit les documents suivants :

- Une copie de la facture avec la date d'achat
- Un motif de réclamation ou une description du dysfonctionnement

Notez que toute réparation effectuée par une personne non agréée peut présenter un risque de sécurité et annuler la garantie.

Mise au rebut

Recyclage des produits contenant des piles non remplaçables, des batteries ou des sources lumineuses rechargeables



Si le produit contient des piles non remplaçables, des batteries ou des sources lumineuses rechargeables, vous n'avez pas besoin de les retirer avant de les mettre au rebut.



Si vous souhaitez mettre le produit au rebut, contactez le centre de recyclage le plus proche ou votre revendeur spécialisé afin d'être informé des réglementations liées au traitement des déchets.

- ▶ Le produit peut être mis au rebut gratuitement.


Recyclage des emballages



Dans la mesure du possible, jetez les emballages dans les conteneurs de déchets recyclables prévus à cet effet.

Données techniques

	MT 600 SI-N	MT 1200 SI/SI-N	MT 1700 SI/SI-N
Tension nominale d'entrée	12 V ===		
Plage de tensions d'entrée	10,5 - 15 V ===		
Capacité minimale de la batterie (selon le consommateur)	> 80 Ah	> 110 Ah	> 150 Ah
Câbles de la batterie (longueur de 1,2 m)	2 × 10 mm ²	2 × 25 mm ²	2 × 35 mm ²
Fusible de batterie recommandé	80 A	175 A	250 A
Tension de sortie	230 V ~		
Fréquence de sortie	50 Hz		
Puissance continue (à 30 °C)	600 W	1200 W	1700 W
Puissance à court terme	840 W	1400 W	2100 W
Puissance de crête	1200 W	2000 W	3000 W
Consommation CC à la puissance nominale	56 A	115 A	165 A
Consommation CC maximale en cas de surcharge	90 A	140 A	200 A
Facteur de puissance des consommateurs	Toutes les valeurs sont autorisées.		
Tension maximale de la batterie	16,0 V		
Tension minimale de la batterie (en fonction de la charge, dynamique)	10,5 V	10,7 V	10,7 V
Consommation approx. au repos (sans charge)	6 W	8 W	10 W

	MT 600 SI-N	MT 1200 SI/SI-N	MT 1700 SI/SI-N
Consommation approx. en veille (sans charge)	5 W	3 W	5 W
Condition d'arrêt en veille	< 15 W/60 W	< 25 W/60 W	< 25 W/60 W
Temps de maintien en veille	30 secondes		
Durée en veille	5/10 minutes		
Protection	Surcharge, surchauffe.		
Refroidissement	Ventilateur à température contrôlée en continu.		
Capacité de charge de la commutation secteur automatique (modèles -N uniquement)	2300 W		
Classe de protection/indice IP	I/II, IP21	II, IP21	II, IP21
Poids	3750 g	6000 g	7600 g
Dimensions (L × H × l), en mm	335 × 270 × 72	400 × 300 × 70	460 × 300 × 70
Humidité maximale	95 %, sans condensation		
Certification			

Leggere attentamente e seguire tutte le istruzioni, le linee guida e le avvertenze incluse in questo manuale del prodotto, per assicurarsi che il prodotto venga sempre installato, utilizzato e mantenuto nel modo corretto. Queste istruzioni DEVONO essere conservate insieme al prodotto.

Utilizzando il prodotto, l'utente conferma di aver letto attentamente tutte le istruzioni, le linee guida e le avvertenze e di aver compreso e accettato di rispettare i termini e le condizioni qui espressamente indicati. L'utente accetta di utilizzare questo prodotto solo per lo scopo e l'applicazione previsti e in conformità con le istruzioni, le linee guida e le avvertenze indicate nel presente manuale del prodotto, nonché con tutte le leggi e i regolamenti applicabili. La mancata lettura e osservanza delle istruzioni e delle avvertenze qui espressamente indicate può causare lesioni personali e a terzi, danni al prodotto o ad altre proprietà nelle vicinanze. Il presente manuale del prodotto, comprese le istruzioni, le linee guida e le avvertenze e la relativa documentazione possono essere soggetti a modifiche e aggiornamenti. Per informazioni aggiornate sul prodotto, visitare il sito documents.dometic.com.

Indice

Spiegazione dei simboli	34
Istruzioni per la sicurezza	34
Dotazione	35
Accessori	35
Destinatari	36
Destinazione d'uso	36
Descrizione delle caratteristiche tecniche	36
Installazione del dispositivo	36
Impiego dell'apparecchio	38
Pulizia e cura	39
Risoluzione dei problemi	40
Garanzia	40
Smaltimento	40

Spiegazione dei simboli



AVVERTENZA!

Istruzione per la sicurezza: indica una situazione di pericolo che, se non evitata, può provocare lesioni gravi o mortali.



ATTENZIONE!

Istruzione per la sicurezza: indica una situazione di pericolo che, se non evitata, può provocare lesioni di entità lieve o moderata.



AVVISO!

Indica una situazione di pericolo che, se non evitata, può provocare danni alle cose.



NOTA

Informazioni supplementari relative all'impiego del prodotto.

Istruzioni per la sicurezza



PERICOLO! La mancata osservanza di queste avvertenze può causare la morte o lesioni gravi.

Pericolo di incendio/materiali infiammabili

- In caso di incendio usare un estintore per apparecchi elettrici.

Pericolo di scosse elettriche

- Fare attenzione che il morsetto rosso e quello nero non entrino mai in contatto.
- Se l'apparecchio o il cavo di collegamento presentano danni visibili, non usare l'apparecchio.
- Se il cavo di collegamento dell'apparecchio è danneggiato, farlo sostituire dal fabbricante, dal servizio di assistenza o da personale con la qualifica necessaria per evitare pericoli per la sicurezza.
- Anche se il fusibile è bruciato, alcuni componenti dell'apparecchio possono rimanere sotto tensione.
- Questo apparecchio può essere riparato solo da personale qualificato. Le riparazioni effettuate in modo scorretto possono causare gravi pericoli.
- Quando si eseguono lavori agli impianti elettrici, assicurarsi che nelle vicinanze si trovi qualcuno in grado di intervenire in caso di emergenza.
- Prima di smontare l'apparecchio, scollegare tutti i collegamenti e assicurarsi che non sia presente tensione in nessuno degli ingressi e delle uscite.
- Non toccare mai i cavi esposti a mani nude. Questo vale soprattutto per il funzionamento con rete di alimentazione CA.
- Scollegare l'apparecchio dalla rete elettrica prima di eseguire le seguenti operazioni:
 - pulizia e manutenzione
 - sostituzione di un fusibile.
- Non staccare nessun cavo se il dispositivo è ancora in funzione.

- Prima della messa in funzione dell'apparecchio, assicurarsi che la rete di alimentazione e la spina siano asciutte.
- Per essere in grado di staccare velocemente l'apparecchio dalla rete in caso di pericolo, è necessario che la presa si trovi nelle vicinanze dell'apparecchio e che sia facilmente accessibile.

Pericolo per la salute

- Questo apparecchio può essere utilizzato da bambini di età superiore a 8 anni, da persone con capacità fisiche, sensoriali o mentali ridotte o da persone inesperte solo se preventivamente istruite sull'utilizzo in sicurezza o supervisionate e solo se informate dei pericoli legati al prodotto stesso.
- Tenere sempre l'apparecchio lontano dalla portata dei bambini.
- Controllare che i bambini non giochino con l'apparecchio.
- La pulizia e la manutenzione non devono essere eseguite da bambini senza la presenza di un adulto.

Rischio di lesioni

- Posare i cavi in modo tale che non sussista pericolo di inciampo e che si possano escludere eventuali danni al cavo.

Pericolo di esplosione

- Non utilizzare l'apparecchio nelle seguenti circostanze:
 - ambienti umidi o bagnati
 - in prossimità di fumi corrosivi
 - in prossimità di materiali combustibili
 - rischio di esplosione di gas o polveri.



NOTA Rischio di danni

- Non esporre l'apparecchio a fonti di calore (esposizione ai raggi solari o riscaldamento). Evitare che l'apparecchio si surriscaldi ulteriormente.
- Installare l'apparecchio in un luogo asciutto e protetto da eventuali spruzzi d'acqua.
- Non montare il dispositivo in ambienti polverosi.
- Assicurarsi che la superficie di montaggio sia in grado di sostenere il peso dell'apparecchio.
- Utilizzare tubi vuoti o canaline per cavi qualora i cavi debbano passare attraverso pannelli in lamiera oppure pannelli con spigoli vivi.

- Posare i cavi in modo che non possano essere danneggiati se fatti passare attraverso porte o cofani del motore.
- Non posare la linea di rete da 230 V e la linea a corrente continua da 12 V insieme nello stesso condotto (tubo vuoto).
- Non posare i cavi lasciandoli penzolare o creando strozzature.
- Fissare i cavi in modo saldo.
- Non tirare i cavi.
- Utilizzare sempre prese collegate a terra e protette da un interruttore differenziale di protezione.
- Assicurarsi che la sezione del cavo di collegamento sia sufficientemente ampia.
- Assicurarsi che le aperture di ventilazione e di sfogo dell'apparecchio non siano coperte.
- Garantire una buona ventilazione.

Dotazione

Quantità	Descrizione
1	Inverter a onda sinusoidale pura
1	Istruzioni di montaggio e d'uso
2	Cavo batteria da 1,2 m con alette M8.
1	Cavo di alimentazione da rete elettrica da 1,2 m
1	Cavo di prolunga da 5 m con connettori RJ12 per controllo remoto
1	Adattatore per cavo di prolunga

Accessori

Descrizione	SKU
Set di fusibili da 80 A (per MT600)	9620000210 (MT06080)
Set di fusibili da 175 A (per MT1200)	9620000217 (MT06175)
Set di fusibili da 250 A (per MT1700)	9620000166 (MT06250)
Cavo di prolunga da 5 m con connettori RJ12 per controllo remoto	9620000171 (MT02005)

Destinatari



L'installazione elettrica e la configurazione dell'apparecchio devono essere eseguite da un elettricista qualificato che abbia dimostrato competenze e conoscenze relative alla costruzione e al funzionamento delle apparecchiature elettriche e alle installazioni, e che conosca le normative vigenti nel Paese in cui l'apparecchiatura deve essere installata e/o utilizzata e abbia ricevuto una formazione sulla sicurezza per identificare ed evitare i pericoli coinvolti.

Tutte le altre azioni sono destinate anche agli utenti non professionali.

Destinazione d'uso

L'apparecchio è progettato per fornire 230 V alle prese collegate.

L'apparecchio è destinato all'uso in ambienti interni.

Questo prodotto è adatto solo per l'uso e l'applicazione previsti in conformità con le presenti istruzioni.

Il presente manuale fornisce le informazioni necessarie per la corretta installazione e/o il funzionamento del prodotto. Un'installazione errata e/o un utilizzo o una manutenzione impropri comporteranno prestazioni insoddisfacenti e un possibile guasto.

Il fabbricante non si assume alcuna responsabilità per eventuali lesioni o danni al prodotto che derivino da:

- Montaggio o collegamento non corretti, compresa la sovratensione
- Manutenzione non corretta o uso di parti di ricambio diverse da quelle originali fornite dal fabbricante
- Modifiche al prodotto senza esplicita autorizzazione del fabbricante
- Impiego per scopi diversi da quelli descritti nel presente manuale

Dometic si riserva il diritto di modificare l'aspetto e le specifiche del prodotto.

Descrizione delle caratteristiche tecniche

L'apparecchio è un inverter a onda sinusoidale reale da CC a CA, adattato in modo specifico per gli apparecchi con un aumento di corrente elevato (ad esempio compressori per impianti di climatizzazione).

Inoltre, l'apparecchio offre funzioni quali:

- tecnologia di commutazione con controllo con microprocessore integrato
- uscita CA stabilizzata al quarzo
- circuito di trasferimento con priorità alla rete integrato (solo modelli -N)
- protezione da sovraccarico elettrico e termico
- soglie di interruzione della bassa tensione configurabili
- protezione da sovratensione
- ventola controllata in base alla temperatura e alla corrente di ingresso
- funzione di risparmio energetico con soglie configurabili per il rilevamento del carico e tempo di ritardo per lo spegnimento automatico
- display girevole che può essere utilizzato come controllo remoto.

Installazione del dispositivo

Istruzioni di montaggio

- L'apparecchio può essere montato in qualsiasi posizione.
- Per un corretto raffreddamento, lasciare almeno 200 mm di spazio libero intorno a tutti i lati dell'apparecchio (fig. **5**, pagina 5).
- Il controllo remoto deve essere installato in un luogo accessibile.

Montaggio dell'apparecchio



AVVISO! Rischio di danni

Prima di effettuare qualsiasi tipo di foro, assicurarsi che nessun cavo elettrico o altri componenti del veicolo vengano danneggiati durante l'uso di trapani, seghe e lime.

1. Segnare e praticare 4 fori sulla superficie di montaggio (fig. **6**, pagina 5).
2. Fissare saldamente l'apparecchio (fig. **6**, pagina 5).

Montaggio del display



AVVISO! Rischio di danni

Prima di effettuare qualsiasi tipo di foro, assicurarsi che nessun cavo elettrico o altri componenti del veicolo vengano danneggiati durante l'uso di trapani, seghe e lime.

Il display può essere rimosso e reinstallato in qualsiasi posizione sull'apparecchio. Per riposizionare il display, eseguire i passi seguenti:

1. Rimuovere il display svitando le viti (fig. **2**, pagina 3, **1**).
2. Riposizionare il display (fig. **2**, pagina 3).
3. Serrare le viti (fig. **2**, pagina 3, **1**).

Il display può essere utilizzato anche come controllo remoto. Per installare il display in una posizione remota, procedere come segue:

1. Rimuovere il display svitando le viti (fig. **2**, pagina 3, **1**).
2. Scollegare il cavo tra il display e l'apparecchio (fig. **3**, pagina 4, **3**).
3. Creare un'apertura nella superficie di montaggio e praticare 2 fori (fig. **4**, pagina 4).
4. Collegare il display all'apparecchio utilizzando il cavo di prolunga.
5. Installare il display utilizzando elementi di fissaggio appropriati (fig. **2**, pagina 3, **1**).

Collegamento dell'apparecchio

1. Posare tutte le linee necessarie.
2. Pianificare attentamente la distribuzione e la protezione con fusibili dei circuiti. Il fusibile della batteria deve essere installato il più vicino possibile alla batteria. Si consiglia una distanza entro 150 mm.
3. Il collegamento di messa a terra dell'apparecchio deve essere collegato a terra. Utilizzare un cavo con sezione di 4 mm².

4. Assicurarsi che tutte le linee siano inserite e collegate correttamente.
5. Assicurare tutte le linee con fascette di scarico della trazione.
6. Collegare l'apparecchio come raffigurato (fig. **1**, pagina 3).



AVVISO! Rischio di danni

I cavi della batteria non devono essere collegati alla batteria con polarità inversa, altrimenti potrebbero verificarsi danni all'apparecchio.

fig. **1**, pagina **3** Descrizione

1	Fusibile	10 A, reversibile
2	Terminale di messa a terra	M5
3	Terminale di collegamento	N/PE
4	Presa di uscita	230 VCA
5	Presa di ingresso	Alimentazione da rete elettrica esterna
6	Cavo nero (-)	Alette M8
7	Cavo arancione (+)	Alette M8
8	Batteria	

7. Assicurarsi che tutti gli elementi di fissaggio siano serrati correttamente e che i collegamenti siano saldi, compresi i collegamenti sul fusibile.

Collegamento della linea neutra a terra



AVVERTENZA! Pericolo di scosse elettriche

L'installazione può essere eseguita solo da un elettricista qualificato.

Nelle applicazioni in cui l'inverter prevede più prese, è necessario utilizzare un dispositivo di protezione (fig. **9**, pagina 7). In questo caso è necessario collegare la linea neutra (N) alla messa a terra di protezione (PE).

1. Spelare entrambe le estremità di un filo con una sezione di 4 mm² (fig. 10, pagina 7, 1).
2. Con un cacciavite, rilasciare la linguetta di bloccaggio.
3. Inserire il filo nel terminale di collegamento (fig. 10, pagina 7, 2).
4. Utilizzando un cacciavite, fissare la linguetta di bloccaggio.

Impiego dell'apparecchio

Display

fig. 2, pagina 3	Descrizione	
2	Tasto On/Off	
3	LED inverter	
4	LED automatico	
5	LED linea	
6	LED < 50%	Indicatore di carico
7	LED < 100%	Indicatore di carico
8	LED di sovraccarico	Indicatore di sovraccarico

Commutazione con priorità all'alimentazione da rete elettrica

Il passaggio tra l'inverter e l'alimentazione da rete elettrica avviene automaticamente. La priorità è data all'alimentazione da rete elettrica. Se è presente tensione di rete sulla presa di ingresso (fig. 1, pagina 3, 5), l'apparecchio passa all'alimentazione da rete elettrica esterna e fornisce tensione alla presa di uscita (fig. 1, pagina 3, 4). L'inverter si spegne completamente in modo automatico e non assorbe più energia dalla batteria. Questo stato è indicato dal LED *LINE* (fig. 2, pagina 3, 5).

Finché è applicata la tensione di rete, l'inverter non può essere riacceso. Se non viene fornita tensione esterna, l'apparecchio funziona come un inverter puro.

Alimentazione diretta delle utenze dall'inverter

Tutti gli apparecchi offrono una presa di corrente per il collegamento diretto di utenze da 230 VCA (fig. 7, pagina 6).

Alimentazione dall'inverter a più prese



AVVERTENZA! Pericolo di scosse elettriche

L'installazione può essere eseguita solo da un elettricista qualificato.

L'apparecchio può fornire 230 VCA a più prese contemporaneamente. In caso di utilizzo di più prese, è necessario installare il dispositivo di protezione appropriato (fig. 8, pagina 6).

Dopo aver collegato l'inverter alla batteria, l'apparecchio è pronto per il funzionamento.

► Per accendere l'inverter, premere brevemente il pulsante *ON/OFF* sul display (fig. 2, pagina 3, 2).

Il LED *INVERTER* (fig. 2, pagina 3, 3) indica che l'apparecchio è pronto per il funzionamento. Dopo un autotest interno dell'intero sistema vengono emessi due o tre segnali acustici brevi e uno lungo. Dopodiché l'inverter è pronto per l'uso.

Modalità automatica

L'inverter si avvia in modalità automatica. Questa modalità è indicata dai LED *INVERTER* (fig. 2, pagina 3, 3) e *AUTOMATIC* (fig. 2, pagina 3, 4) sul display. La modalità automatica consente di risparmiare l'energia della batteria per le utenze più grandi. Le utenze di grandi dimensioni vengono spesso attivate solo per un breve periodo di tempo o a intervalli, mentre l'inverter carica la batteria in modo permanente. Quando è acceso, l'inverter controlla costantemente il carico collegato. Finché l'apparecchio collegato è acceso, l'inverter fornisce l'alimentazione richiesta. Quando l'apparecchio collegato è spento, l'inverter rileva questo stato e passa automaticamente al modo stand-by dopo un tempo di osservazione molto breve. Ciò è indicato dal lampeggio del LED *AUTOMATIC* sul display (fig. 2, pagina 3, 4). L'inverter ora controlla ogni secondo se un carico

è collegato all'uscita. Se non trova un'utenza in modo stand-by entro l'intervallo preimpostato, si spegne completamente e può essere riavviato solo con il pulsante **ON/OFF** (fig. **2**, pagina 3, **2**). Il funzionamento in stand-by può essere adattato a requisiti personalizzati, impostando la soglia di carico in stand-by e la durata della scansione in stand-by.

Per regolare i criteri di stand-by, procedere come segue:

1. Rimuovere il display svitando le viti (fig. **2**, pagina 3, **1**).
2. Regolare la soglia di carico utilizzando l'interruttore DIP 1 (fig. **3**, pagina 4, **4**).
3. Regolare il tempo di scansione in stand-by utilizzando l'interruttore DIP 2 (fig. **3**, pagina 4, **4**).

Funzionamento permanente (senza funzione stand-by)

Per utilizzare l'inverter con utenze a consumo molto basso, come i caricabatterie e le radio, la funzione di stand-by deve essere disattivata. Se l'apparecchio collegato è spento, l'inverter continua a funzionare e carica in modo permanente la batteria con circa 6–10 W.

Tutti gli inverter possono essere avviati con la funzione di stand-by disattivata.

- Per accendere l'inverter con la funzione di stand-by disattivata, premere il pulsante **ON/OFF** sul display per 3 secondi (fig. **2**, pagina 3, **2**).

Questa modalità di funzionamento è indicata dal LED **INVERTER** costantemente acceso (fig. **2**, pagina 3, **4**) sul display. Il LED **AUTOMATIC** (fig. **2**, pagina 3, **4**) si spegne.

Per disattivare la funzione di stand-by, procedere come segue:

1. Rimuovere il display svitando le viti (fig. **2**, pagina 3, **1**).
2. Impostare l'interruttore DIP 3 (fig. **3**, pagina 4, **4**) nella posizione **OFF**.

Modalità permanente

Nella modalità di funzionamento permanente, l'inverter si avvia automaticamente non appena viene collegato a una batteria. L'inverter si spegne solo quando viene applicata la tensione di rete esterna a 230 V. Dopo aver scollegato la tensione di rete esterna, l'inverter ricomincia a funzionare in modo indipendente. In questa modalità, la funzione del pulsante **ON/OFF** (fig. **2**, pagina 3, **2**) sul display è disattivata.

Per attivare la modalità permanente, procedere come segue:

1. Rimuovere il display svitando le viti (fig. **2**, pagina 3, **1**).
2. Impostare l'interruttore DIP 4 (fig. **3**, pagina 4, **4**) nella posizione **ALWAYS ON**.

Pulizia e cura



AVVERTENZA! Pericolo di scosse elettriche

Scollegare sempre la spina di alimentazione prima di effettuare la pulizia e la manutenzione dell'apparecchio.



AVVISO! Rischio di danni

Non lavare mai l'apparecchio sotto acqua corrente o in lavastoviglie. Per la pulizia non impiegare detergenti abrasivi oppure oggetti duri, perché potrebbero danneggiare l'apparecchio.

- Di tanto in tanto pulire il prodotto con aria compressa.

Risoluzione dei problemi

Stato	LED di sovraccarico	LED < 100%	LED < 50%	LED inverter	Segnale acustico
Errore uscita	Lampeggio	Lampeggio	Lampeggio	Off/lampeggiante ¹	Segnale acustico 3 secondi/interruzione
Cortocircuito nell'uscita	Lampeggio	Lampeggio	Off	Off/lampeggiante ¹	2 segnali acustici brevi/1 segnale acustico lungo/interruzione
Overload	Lampeggio	Off	Off	Off/lampeggiante ¹	6x/interruzione
Sovratemperatura	Lampeggio	On	Off	Off/lampeggiante ¹	8x/interruzione
Sottotensione	Off	Off	Off	Off/lampeggiante ¹	4x/interruzione
Sovratensione	Off	Off	Off	Off/lampeggiante ¹	2x/interruzione
Guasto interno	Off	Off	Off	Lampeggio	costante

¹In base alla durata e alla temperatura.

Se l'inverter ha smesso di funzionare a causa di una delle ragioni descritte in precedenza, è possibile eseguire un riavvio manuale.

► Per riavviare manualmente l'inverter, spegnere l'interruttore dell'apparecchio o premere il pulsante **ON/OFF** sul display (fig. **2**, pagina 3, **2**).

Se dopo il riavvio è ancora presente un parametro superiore o inferiore ai valori limite, l'avvio viene impedito e il LED e la sequenza del segnale acustico corrispondenti segnalano un guasto.



AVVISO! Rischio di danni

In caso di sovratemperatura, attendere da 5 a 10 minuti per far raffreddare l'apparecchio prima di riavviarlo.



AVVISO! Rischio di danni

In caso di sovraccarico, disattivare il carico e ridurre le utenze collegate. Evitare ulteriori avviamenti con sovraccarico.

Garanzia

Vale il termine di garanzia previsto dalla legge. Se il prodotto è difettoso, contattare il rivenditore di fiducia o la filiale del fabbricante nel proprio Paese (vedi dometic.com/dealer).

Per la gestione della riparazione e della garanzia è necessario inviare la seguente documentazione insieme al prodotto:

- Una copia della ricevuta con la data di acquisto,
- Il motivo della richiesta o la descrizione del guasto.

Tenere presente che le riparazioni eseguite in autonomia o da personale non professionista possono avere conseguenze sulla sicurezza e invalidare la garanzia.

Smaltimento

Riciclaggio di prodotti con batterie non sostituibili, batterie ricaricabili o fonti di luce



► Se il prodotto contiene batterie non sostituibili, batterie ricaricabili o fonti di luce, non è necessario rimuoverle prima dello smaltimento.



► Per smaltire definitivamente il prodotto, informarsi presso il centro di riciclaggio più vicino o presso il proprio rivenditore specializzato sulle norme relative allo smaltimento.

► È possibile smaltire il prodotto gratuitamente.


Riciclaggio del materiale da imballaggio



► Smaltire il materiale di imballaggio possibilmente negli appositi contenitori di riciclaggio.

Specifiche tecniche

	MT 600 SI-N	MT 1200 SI/SI-N	MT 1700 SI/SI-N
Tensione nominale in ingresso	12 V ===		
Campo di tensione in ingresso	10,5–15 V ===		
Capacità minima della batteria (a seconda dell'utenza)	> 80 Ah	> 110 Ah	> 150 Ah
Cavi batteria (lunghezza 1,2 m)	2 × 10 mm ²	2 × 25 mm ²	2 × 35 mm ²
Fusibile batteria consigliato	80 A	175 A	250 A
Tensione di uscita	230 V ~		
Frequenza di uscita	50 Hz		
Potenza continua (a 30 °C)	600 W	1200 W	1700 W
Alimentazione a breve termine	840 W	1400 W	2100 W
Potenza di picco	1200 W	2000 W	3000 W
Consumo CC alla potenza nominale	56 A	115 A	165 A
Consumo CC massimo in caso di sovraccarico	90 A	140 A	200 A
Fattore di potenza delle utenze	Tutto è consentito.		
Tensione massima della batteria	16,0 V		
Tensione minima della batteria (in base al carico, dinamica)	10,5 V	10,7 V	10,7 V
Consumo al minimo circa (senza carico)	6 W	8 W	10 W
Consumo in stand-by approssimativo (senza carico)	5 W	3 W	5 W
Criterio di arresto per stand-by	< 15 W / 60 W	< 25 W / 60 W	< 25 W / 60 W

	MT 600 SI-N	MT 1200 SI/SI-N	MT 1700 SI/SI-N
Tempo di attesa in stand-by	30 secondi		
Durata in stand-by	5/10 minuti		
Protezione	Sovraccarico, sovratemperatura.		
Raffreddamento	Ventola comandata dalla temperatura a regolazione continua.		
Commutazione automatica dell'alimentazione da rete elettrica (solo modelli -N) - capacità di carico	2300 W		
Classe di protezione/grado di protezione IP	I/II, IP21	II, IP21	II, IP21
Peso	3750 g	6000 g	7600 g
Dimensioni (L × A × P), in mm	335 × 270 × 72	400 × 300 × 70	460 × 300 × 70
Umidità massima	95% non condensante		
Certificazione			

Lees deze gebruiksaanwijzing zorgvuldig door en volg alle instructies, richtlijnen en waarschuwingen in deze handleiding op om ervoor te zorgen dat u het product te allen tijde op de juiste manier installeert, gebruikt en onderhoudt. Deze gebruiksaanwijzing MOET bij dit product bewaard worden.

Door het product te gebruiken, bevestigt u hierbij dat u alle instructies, richtlijnen en waarschuwingen zorgvuldig hebt gelezen en dat u de voorwaarden zoals hierin beschreven begrijpt en accepteert. U gaat ermee akkoord dit product alleen te gebruiken voor het beoogde doel en de beoogde toepassing en in overeenstemming met de instructies, richtlijnen en waarschuwingen zoals beschreven in deze gebruiksaanwijzing en in overeenstemming met de geldende wet- en regelgeving. Het niet lezen en opvolgen van de hierin beschreven instructies en waarschuwingen kan leiden tot letsel voor uzelf en anderen, schade aan uw product of schade aan andere eigendommen in de omgeving. Deze gebruiksaanwijzing, met inbegrip van de instructies, richtlijnen en waarschuwingen, en de bijbehorende documentatie kan onderhevig zijn aan wijzigingen en updates. Actuele productinformatie vindt u op documents.dometic.com.

Inhoudsopgave

Verklaring van de symbolen	43
Veiligheidsaanwijzingen	43
Omvang van de levering	44
Accessoires	44
Doelgroep	45
Beoogd gebruik	45
Technische beschrijving	45
Het toestel installeren	45
Het toestel gebruiken	47
Reiniging en onderhoud	48
Problemen oplossen	49
Garantie	49
Verwijdering	49

Verklaring van de symbolen



WAARSCHUWING!

Veiligheidsaanwijzing: duidt op een gevaarlijke situatie die, indien deze niet wordt voorkomen, kan leiden tot ernstig letsel of de dood.



VOORZICHTIG!

Veiligheidsaanwijzing: duidt op een gevaarlijke situatie die, indien deze niet wordt voorkomen, kan leiden tot licht of matig letsel.



LET OP!

Duidt op een situatie die, indien deze niet wordt voorkomen, kan leiden tot materiële schade.



INSTRUCTIE

Aanvullende informatie voor het gebruik van het product.

Veiligheidsaanwijzingen



GEVAAR! Het niet in acht nemen van deze waarschuwingen leidt tot ernstig letsel of de dood.

Brandgevaar/ontvlambare materialen

- Gebruik in geval van brand een brandblusser die geschikt is voor elektrische toestellen.

Gevaar voor elektrische schokken

- Let erop dat de rode en zwarte klem elkaar nooit raken.
- Het toestel mag niet worden gebruikt als het toestel zelf of de voedingskabel zichtbaar beschadigd zijn.
- Als de voedingskabel van het toestel beschadigd is, moet deze, om gevaren te voorkomen, worden vervangen door de fabrikant, een klantenservice of gelijkwaardig bevoegd personeel.
- Onderdelen van het toestel kunnen nog onder spanning staan, zelfs als de zekering is gesprongen.
- Dit toestel mag uitsluitend worden gerepareerd door bevoegd personeel. Door ondeskundige reparaties kunnen grote gevaren ontstaan.
- Als u aan elektrische installaties werkt, zorg er dan voor dat er iemand in de buurt is die u in geval van nood kan helpen.
- Maak, voordat u het toestel uit elkaar neemt, alle verbindingen los en zorg ervoor dat er geen spanning op de in- en uitgangen staat.
- Raak blanke leidingen nooit met blote handen aan. Dit geldt vooral bij gebruik op het wisselstroomnet.
- Koppel het toestel los van de netspanning alvorens de volgende taken uit te voeren:
 - Reiniging en onderhoud.
 - Vervangen van een zekering.
- Maak geen kabels los als het toestel nog in gebruik is.
- Let er voor de ingebruikname op dat voedingskabel en stekker droog zijn.

- Om bij gevaar het toestel snel van het elektriciteitsnet te kunnen loskoppelen, moet het stopcontact zich in de buurt van het toestel bevinden en gemakkelijk toegankelijk zijn.

Gevaar voor de gezondheid

- Dit toestel mag worden gebruikt door kinderen vanaf 8 jaar en ouder evenals door personen met verminderd fysiek, zintuiglijk of mentaal vermogen of gebrek aan kennis en ervaring, mits zij onder toezicht staan of zijn geïnstrueerd in het veilig gebruik van het toestel en zij inzicht hebben in de gevaren die het gebruik ervan met zich meebrengt.
- Houd het toestel altijd buiten bereik van kinderen.
- Kinderen moeten onder toezicht staan om ervoor te zorgen dat zij niet met het toestel spelen.
- Reiniging en gebruikersonderhoud mogen niet door kinderen zonder toezicht worden uitgevoerd.

Gevaar voor letsel

- Leg de kabels zodanig dat er niet over kan worden gestruikeld en dat ze niet beschadigd kunnen raken.

Explosiegevaar

- Gebruik het toestel niet onder de volgende omstandigheden:
 - Natte of vochtige omgevingen.
 - In de buurt van corrosieve dampen.
 - In de buurt van brandbare materialen.
 - Gevaar voor gas- of stofexplosie.



INSTRUCTIE Gevaar voor schade

- Stel het toestel niet bloot aan een warmtebron (zonnestralen, verwarming enz.). Voorkom op deze wijze extra opwarming van het toestel.
- Plaats het toestel op een droge plek waar het is beschermd tegen spatwater.
- Het toestel mag niet in stoffige omgevingen worden ingebouwd.
- Zorg ervoor dat het montageoppervlak het gewicht van het toestel kan dragen.
- Gebruik holle buizen of leidingdoorvoeren, als leidingen door plaatwanden of andere wanden met scherpe randen geleid moeten worden.
- Leg de kabels zodanig dat ze niet door deuren of door de motorkap beschadigd kunnen raken.
- Leg het 230V-netsnoer en de 12V-gelijkstroomkabel niet samen in dezelfde kabelgoot.

- Leg de leidingen niet los of scherp geknipt.
- Bevestig de kabels op een veilige wijze.
- Trek niet aan de kabels.
- Gebruik altijd geaarde en door aardlekschakelaars beveiligde stopcontacten.
- Zorg voor een voldoende grote leidingdiameter.
- Zorg ervoor dat de luchtinlaten en -uitlaten van het product niet afgedekt zijn.
- Zorg voor goede ventilatie.

Omvang van de levering

Aantal	Beschrijving
1	Omvormer voor zuivere sinusgolven
1	Montagehandleiding en gebruiksaanwijzing
2	1,2 m lange accukabel met kabelschoenen M8.
1	1,2 m lang netsnoer
1	5 m lange verlengkabel met RJ12-stekkers voor afstandsbediening
1	Adapter voor verlengkabel

Accessoires

Beschrijving	SKU
Zekeringenset 80 A (voor MT600)	9620000210 (MT06080)
Zekeringenset 175 A (voor MT1200)	9620000217 (MT06175)
Zekeringenset 250 A (voor MT1700)	9620000166 (MT06250)
5 m lange verlengkabel met RJ12-stekkers voor afstandsbediening	9620000171 (MT02005)

Doelgroep



De elektrische installatie en instelling van het toestel moeten worden uitgevoerd door een bevoegde electricien die zijn vaardigheden en kennis met betrekking tot de constructie en werking van elektrische apparatuur en installaties heeft bewezen en die vertrouwd is met de van toepassing zijnde regelgeving van het land waarin de apparatuur moet worden geïnstalleerd en/of gebruikt en die een veiligheidstraining heeft gevolgd om de betrokken gevaren te identificeren en te vermijden.

Alle andere handelingen zijn ook bestemd voor niet-professionele gebruikers.

Beoogd gebruik

Het toestel is ontworpen om 230 V aan aangesloten contactdozen te leveren.

Het toestel is bestemd voor gebruik binnen.

Dit product is alleen geschikt voor het beoogde gebruik en de toepassing in overeenstemming met deze gebruiksaanwijzing.

Deze handleiding geeft informatie die nodig is voor een correcte installatie en/of correct gebruik van het product. Een slechte installatie en/of onjuist gebruik of onderhoud leidt tot onbevredigende prestaties en mogelijke storingen.

De fabrikant aanvaardt geen aansprakelijkheid voor letsel of schade aan het product als gevolg van:

- Onjuiste montage of aansluiting, inclusief te hoge spanning
- Onjuist onderhoud of gebruik van andere dan door de fabrikant geleverde originele reserveonderdelen
- Wijzigingen aan het product zonder uitdrukkelijke toestemming van de fabrikant
- Gebruik voor andere doeleinden dan beschreven in deze handleiding

Dometic behoudt zich het recht voor om het uiterlijk en de specificaties van het product te wijzigen.

Technische beschrijving

Het toestel is een zuivere sinusvormer (gelijkspanning naar wisselspanning), speciaal aangepast voor apparatuur met een hoge stroomstijging (bijv. aircocompressoren).

Daarnaast biedt het toestel de volgende functies:

- Geïntegreerde microprocessorgestuurde schakeltechnologie
- Kristalgestabiliseerde wisselspanningsuitgang
- Geïntegreerde netvoorrangsschakeling (alleen-N-modellen)
- Elektrische en thermische overbelastingsbeveiliging
- Configureerbare drempelwaarden voor uitschakeling bij lage spanning
- Overspanningsbeveiliging
- Aan de hand van temperatuur en ingangsstroom geregelde ventilator
- Stroombesparingsfunctie met configureerbare drempelwaarden voor lastdetectie en vertragingstijd voor automatische uitschakeling
- Draaibaar displaypaneel dat kan worden gebruikt als afstandsbediening

Het toestel installeren

Montage-instructies

- Het toestel kan in elke positie worden gemonteerd.
- Laat voor een goede koeling ten minste 200 mm vrije ruimte aan alle zijden van het toestel (afb. **5**, pagina 5).
- De afstandsbediening moet op een toegankelijke plaats worden geïnstalleerd.

Het toestel monteren



LET OP! Gevaar voor schade

Controleer voor het boren of geen elektrische kabels of andere delen van het voertuig door boren, zagen en vijlen beschadigd kunnen raken.

1. Markeer en boor 4 gaten op het montageoppervlak (afb. **6**, pagina 5).

2. Bevestig het apparaat stevig (afb. **6**, pagina 5).

Het displaypaneel monteren



LET OP! Gevaar voor schade

Controleer voor het boren of geen elektrische kabels of andere delen van het voertuig door boren, zagen en vijlen beschadigd kunnen raken.

Het displaypaneel kan worden verwijderd en op elke positie op het toestel opnieuw worden geïnstalleerd. Voer de volgende stappen uit om het displaypaneel te verplaatsen:

1. Verwijder het displaypaneel door de schroeven los te draaien (afb. **2**, pagina 3, **1**).
2. Verplaats het displaypaneel (afb. **2**, pagina 3).
3. Draai de schroeven vast (afb. **2**, pagina 3, **1**).

Het displaypaneel kan ook als afstandsbediening worden gebruikt. Voer de volgende stappen uit om het displaypaneel op een locatie op afstand te installeren:

1. Verwijder het displaypaneel door de schroeven los te draaien (afb. **2**, pagina 3, **1**).
2. Koppel de kabel tussen het displaypaneel en het toestel los (afb. **3**, pagina 4, **3**).
3. Snijd het montageoppervlak uit en boor 2 gaten (afb. **4**, pagina 4).
4. Sluit het displaypaneel aan op het toestel met behulp van de verlengkabel.
5. Monteer het displaypaneel met de juiste bevestigingen (afb. **2**, pagina 3, **1**).

Het toestel aansluiten

1. Leg alle benodigde leidingen.
2. Plan de verdeling en zekeringsbeveiliging van de circuits zorgvuldig. De accuzekering moet zo dicht mogelijk bij de accu worden geïnstalleerd. De aanbevolen afstand is minder dan 150 mm.
3. De aardaansluiting op het toestel moet worden aangesloten op de aarde. Gebruik een kabel met een doorsnede van 4 mm².

4. Zorg ervoor dat alle leidingen correct zijn gelegd en aangesloten.
5. Bevestig alle leidingen met trekcontlastingen.
6. Sluit het toestel aan zoals afgebeeld (afb. **1**, pagina 3).



LET OP! Gevaar voor schade

Accukabels mogen niet met omgekeerde polariteit op de accu worden aangesloten, anders kan het toestel beschadigd raken.

afb. **1**, pagina 3 Beschrijving

1	Zekering	10 A, omkeerbaar
2	Aardingsklem	M5
3	Verbindingsklem	N/PE
4	Uitgangcontactdoos	230 V wisselspanning
5	Ingangcontactdoos	Externe netspanning
6	Zwarte kabel (-)	Kabelschonen M8
7	Oranje kabel (+)	Kabelschonen M8
8	Accu	

7. Zorg ervoor dat alle bevestigingen goed zijn vastgedraaid en dat de aansluitingen goed vastzitten, inclusief de aansluitingen bij de zekering.

Nuldraad aansluiten op aarde



WAARSCHUWING! Gevaar voor elektrische schokken

De installatie mag alleen worden uitgevoerd door een bevoegde electricien.

In toepassingen waarbij de omvormer meerdere contactdozen voedt, moet er beveiligingsapparatuur worden gebruikt (afb. **9**, pagina 7). In dit geval moet de nuldraad (N) worden aangesloten op de veiligheidsaarde (PE).

1. Strip beide uiteinden van een draad met een doorsnede van 4 mm² (afb. **10**, pagina 7, **1**).
2. Maak het borglipje los met een schroeven-draaier.
3. Steek de draad in de verbindingsklem (afb. **10**, pagina 7, **2**).
4. Maak het borglipje vast met een schroeven-draaier.

Het toestel gebruiken

Displaypaneel

afb. 2 , pagina 3	Beschrijving	
2	Toets Aan/uit	
3	Led Inverter (omvormer)	
4	Led Automatic (automatisch)	
5	Led Line (lijn)	
6	Led < 50%	Lastindicatie
7	Led < 100%	Lastindicatie
8	Led Overload (overbelasting)	Overbelastingsindicatie

Netvoorrangsschakeling

Er wordt automatisch omgeschakeld tussen omvormer en netspanning. Daarbij wordt prioriteit gegeven aan netspanning. Als er netspanning op de ingangcontactdoos (afb. **1**, pagina 3, **5**) staat, schakelt het toestel om naar externe netspanning en levert het de spanning aan de uitgangcontactdoos (afb. **1**, pagina 3, **4**). De omvormer wordt automatisch volledig uitgeschakeld en neemt geen stroom meer af van de accu. Deze status wordt aangegeven met de led **LINE** (afb. **2**, pagina 3, **5**).

Zolang de netspanning aanwezig is, kan de omvormer niet opnieuw worden ingeschakeld. Als er geen externe spanning wordt toegevoerd, werkt het toestel als een zuivere omvormer.

Directe voeding van verbruikers aan de omvormer

Alle toestellen hebben een contactdoos voor directe aansluiting van 230V-wisselstroomverbruikers (afb. **7**, pagina 6).

Omvormervoeding van meerdere contactdozen



WAARSCHUWING! Gevaar voor elektrische schokken

De installatie mag alleen worden uitgevoerd door een bevoegde elektricien.

Het toestel kan meerdere 230V-wisselstroomcontactdozen tegelijk voeden. Als er meerdere contactdozen worden gebruikt, moet er geschikte beveiligingsapparatuur worden geïnstalleerd (afb. **8**, pagina 6).

Nadat de omvormer op de accu is aangesloten, is het toestel gereed voor gebruik.

► Druk kort op de knop **ON/OFF** op het displaypaneel om de omvormer in te schakelen (afb. **2**, pagina 3, **2**).

De led **INVERTER** (afb. **2**, pagina 3, **3**) geeft aan of het toestel gereed is voor gebruik. Na een interne zelftest van het gehele systeem weerklinken er twee of drie korte en één lange pieptoon. Daarna is de omvormer klaar voor gebruik.

Automatische modus

De omvormer start op in de automatische modus. Deze modus wordt aangegeven met de leds **INVERTER** (afb. **2**, pagina 3, **3**) en **AUTOMATIC** (afb. **2**, pagina 3, **4**) op het displaypaneel. De automatische modus helpt energie te besparen voor grotere verbruikers. Grote verbruikers worden vaak slechts voor korte tijd of met tussenpozen ingeschakeld, terwijl de omvormer de accu permanent belast.

Wanneer de omvormer is ingeschakeld, controleert deze voortdurend de aangesloten belasting. Zolang het aangesloten toestel is ingeschakeld, levert de omvormer het vereiste vermogen. Wanneer het aangesloten toestel wordt uitgeschakeld, detecteert de omvormer deze status en schakelt hij na een zeer korte waarnemingstijd automatisch in de stand-bystand.

Dit wordt aangegeven met het knipperen van de led *AUTOMATIC* op het displaypaneel (afb. **2**, pagina 3, **4**). De omvormer controleert nu elke seconde of er een last is aangesloten op de uitgang. Als hij binnen het ingestelde interval geen verbruiker in stand-bystand vindt, schakelt hij volledig uit en kan hij alleen opnieuw worden opgestart met de knop *ON/OFF* (afb. **2**, pagina 3, **2**).

De stand-bystand kan worden aangepast aan aangepaste vereisten door de drempel voor stand-bybelasting en de duur van de stand-byscan in te stellen.

Voer de volgende stappen uit om de stand-bycriteria aan te passen:

1. Verwijder het displaypaneel door de schroeven los te draaien (afb. **2**, pagina 3, **1**).
2. Wijzig de belastingsdrempel met behulp van DIP-schakelaar 1 (afb. **3**, pagina 4, **4**).
3. Wijzig de stand-byscantijd met behulp van DIP-schakelaar 2 (afb. **3**, pagina 4, **4**).

Continubedrijf (zonder stand-byfunctie)

Om de omvormer met zeer lage stroomverbruikers te gebruiken, bijvoorbeeld acculaders en radio's, moet de stand-byfunctie worden gedeactiveerd. Als het aangesloten apparaat wordt uitgeschakeld, blijft de omvormer actief en belast deze de accu continu met ca. 6 tot 10 W.

Alle omvormers kunnen worden gestart terwijl de stand-byfunctie is uitgeschakeld.

- Houd de knop *ON/OFF* op het displaypaneel 3 seconden ingedrukt om de omvormer in te schakelen met gedeactiveerde stand-byfunctie (afb. **2**, pagina 3, **2**).

Deze bedrijfsmodus wordt aangegeven met de continu brandende led *INVERTER* (afb. **2**, pagina 3, **4**) op het displaypaneel. De led *AUTOMATIC* (afb. **2**, pagina 3, **4**) gaat uit.

Voer de volgende stappen uit om de stand-byfunctie uit te schakelen:

1. Verwijder het displaypaneel door de schroeven los te draaien (afb. **2**, pagina 3, **1**).

2. Zet de DIP-schakelaar 3 (afb. **3**, pagina 4, **4**) op de stand *OFF*.

Permanente modus

In de permanente bedrijfsmodus start de omvormer automatisch zodra deze wordt aangesloten op een accu. De omvormer schakelt alleen uit als de externe netspanning van 230 V wordt toegepast. Nadat de externe netspanning is verwijderd, begint de omvormer weer onafhankelijk te werken. In deze modus is de functie van de knop *ON/OFF* (afb. **2**, pagina 3, **2**) op het displaypaneel gedeactiveerd.

Voer de volgende stappen uit om de permanente modus te activeren:

1. Verwijder het displaypaneel door de schroeven los te draaien (afb. **2**, pagina 3, **1**).
2. Zet de DIP-schakelaar 4 (afb. **3**, pagina 4, **4**) op de stand *ALWAYS ON*.

Reiniging en onderhoud



WAARSCHUWING! Gevaar voor elektrische schokken

Koppel het toestel voor elke reiniging en elk onderhoud los van het stroomnet.



LET OP! Gevaar voor schade

Reinig het toestel nooit onder stromend water of in de vaatwasser. Gebruik voor de reiniging geen bijtende schoonmaakmiddelen of harde voorwerpen omdat deze het toestel kunnen beschadigen.

- Reinig het product af en toe met perslucht.

Problemen oplossen

Status	Led Overload (overbelasting)	Led < 100%	Led < 50%	Led Inverter (omvormer)	Akoestisch signaal
Uitgangsfout	Knipperen	Knipperen	Knipperen	Uit/knipperen ¹	3 seconden pieptoon/pauze
Kortsluiting uitgang	Knipperen	Knipperen	Uit	Uit/knipperen ¹	2x korte pieptoon/1x lange pieptoon/pauze
Overload	Knipperen	Uit	Uit	Uit/knipperen ¹	6x/pauze
Te hoge temperatuur	Knipperen	Aan	Uit	Uit/knipperen ¹	8x/pauze
Onderspanning	Uit	Uit	Uit	Uit/knipperen ¹	4x/pauze
Overspanning	Uit	Uit	Uit	Uit/knipperen ¹	2x/pauze
Interne fout	Uit	Uit	Uit	Knipperen	Continu

¹ Afhankelijk van duur en temperatuur.

Als de omvormer is gestopt vanwege een van de eerder beschreven redenen, kan deze handmatig opnieuw worden opgestart.

► Schakel de omvormer uit met de toestelschakelaar of druk op de knop **ON/OFF** op het displaypaneel (afb. **2**, pagina 3, **2**) om de omvormer opnieuw op te starten.

Als er na het opnieuw opstarten nog steeds een parameter boven of onder de grenswaarden is, wordt de start verhinderd en geven de bijbehorende led en akoestische signaalreeks een storing aan.



LET OP! Gevaar voor schade

Wacht in geval van oververhitting 5 tot 10 minuten tot het toestel is afgekoeld alvorens het opnieuw op te starten.



LET OP! Gevaar voor schade

Schakel in geval van overbelasting de last uit en verminder de aangesloten verbruikers. Voorkom verder starten met overbelasting.

Garantie

De wettelijke garantieperiode is van toepassing. Als het product defect is, neem dan contact op met de detailhandel of met het filiaal van de fabrikant in uw land (zie dometic.com/dealer).

Stuur voor de afhandeling van reparaties of garantie de volgende documenten mee:

- Een kopie van de factuur met datum van aankoop
- De reden voor de claim of een beschrijving van de fout

Houd er rekening mee dat eigenmachtige of niet-professionele reparatie gevolgen voor de veiligheid kan hebben en dat de garantie hierdoor kan komen te vervallen.

Verwijdering

Producten met niet-vervangbare batterijen, oplaadbare batterijen of lichtbronnen recycelen



Als het product niet-vervangbare batterijen, oplaadbare batterijen of lichtbronnen bevat, hoeft u die niet te verwijderen voordat u het product afvoert.



Als u het product definitief weg wilt doen, vraag dan bij het dichtstbijzijnde afvalverwerkingsbedrijf of uw dealer naar de betreffende afvoerschriften.

➤ Het product kan gratis worden afgevoerd.



➤ Gooi het verpakkingsmateriaal indien mogelijk altijd in recyclingafvalbakken.

Verpakkingsmateriaal recycleren




➤ Gooi het verpakkingsmateriaal indien mogelijk altijd in recyclingafvalbakken.

Technische gegevens

Verpakkingsmateriaal recycleren

	MT 600 SI-N	MT 1200 SI/SI-N	MT 1700 SI/SI-N
Nominale ingangsspanning	12 V ---		
Ingangsspanningsbereik	10,5–15 V ---		
Minimale accucapaciteit (afhankelijk van de gebruiker)	> 80 Ah	> 110 Ah	> 150 Ah
Accukabels (1,2 m lang)	2 × 10 mm ²	2 × 25 mm ²	2 × 35 mm ²
Aanbevolen accuzekering	80 A	175 A	250 A
Uitgangsspanning	230 V ~		
Uitgangsfrequentie	50 Hz		
Continu vermogen (bij 30 °C)	600 W	1200 W	1700 W
Vermogen op korte termijn	840 W	1400 W	2100 W
Piekvermogen	1200 W	2000 W	3000 W
Gelijkstroomverbruik bij nominaal vermogen	56 A	115 A	165 A
Maximaal gelijkstroomverbruik bij overbelasting	90 A	140 A	200 A
Vermogensfactor van gebruikers	Alles is toegestaan.		
Maximale accuspanning	16,0 V		
Minimale accuspanning (lastafhankelijk, dynamisch)	10,5 V	10,7 V	10,7 V
Stationair verbruik ca. (nullast)	6 W	8 W	10 W
Verbruik in stand-by ca. (nullast)	5 W	3 W	5 W
Uitschakelcriterium voor stand-by	< 15 W / 60 W	< 25 W / 60 W	< 25 W / 60 W

	MT 600 SI-N	MT 1200 SI/SI-N	MT 1700 SI/SI-N
Wachttijd tot stand-by	30 seconden		
Stand-byduur	5/10 minutes		
Bescherming	Overbelasting, te hoge temperatuur.		
Koelen	Traploze ventilator met temperatuurregeling.		
Automatische netschakeling (alleen -N modellen) belastingscapaciteit	2300 W		
Beschermingsklasse/IP-code	I/II, IP21	II, IP21	II, IP21
Gewicht	3750 g	6000 g	7600 g
Afmetingen (l × h × b), in mm	335 × 270 × 72	400 × 300 × 70	460 × 300 × 70
Maximale vochtigheid	95%, niet-condenserend		
Certificering			

Læs og følg alle disse anvisninger, retningslinjer og advarsler i denne produktvejledning grundigt for at sikre, at du altid installerer, bruger og vedligeholder produktet korrekt. Disse anvisninger SKAL opbevares sammen med dette produkt.

Ved at benytte produktet bekræfter du hermed, at du har læst alle anvisninger, retningslinjer og advarsler grundigt, og at du forstår og er indforstået med de vilkår og betingelser, der er fastlagt heri. Du er indforstået med kun at bruge dette produkt til det beregnede formål og anvendelse i overensstemmelse med anvisningerne, retningslinjerne og advarslerne i denne produktvejledning samt i overensstemmelse med alle de gældende love og forskrifter. Manglende læsning og ignorering af disse anvisninger og advarsler kan medføre kvæstelser på dig selv og andre, skade på dit produkt eller skade på anden ejendom i nærheden. Der tages forbehold for eventuelle ændringer og opdateringer af denne produktvejledning samt anvisningerne, retningslinjerne og advarslerne samt den tilhørende dokumentation. Se documents.dometic.com for de nyeste produktinformationer.

Indhold

Forklaring af symboler	52
Sikkerhedshenvisninger	52
Leveringsomfang	53
Tilbehør	53
Målgruppe	53
Korrekt brug	54
Teknisk beskrivelse	54
Installation af apparatet	54
Anvendelse af apparatet	55
Rengøring og vedligeholdelse	57
Udbedring af fejl	57
Garanti	58
Bortskaffelse	58

Forklaring af symboler



ADVARSEL!

Sikkerhedshenvisning: Angiver en farlig situation, som kan medføre dødsfald eller alvorlig kvæstelse, såfremt den ikke undgås.



FORSIGTIG!

Sikkerhedshenvisning: Angiver en farlig situation, som kan medføre mindre eller lette kvæstelser, såfremt den ikke undgås.



VIGTIGT!

Angiver en situation, som kan medføre materielle skader, såfremt den ikke undgås.



BEMÆRK

Supplerende oplysninger om betjening af produktet.

Sikkerhedshenvisninger



FARE! Manglende overholdelse af disse advarsler medfører dødelige eller alvorlige kvæstelser.

Brandfare/brændbare materialer

- Anvend i tilfælde af brand en ildslukker, der er egnet til elektriske apparater.

Fare for elektrisk stød

- Sørg for, at den røde og den sorte klemme aldrig berører hinanden.
- Apparatet må ikke anvendes, hvis selve apparatet eller forbindelseskablet har synlige skader.
- Hvis apparatets strømkabel er beskadiget, skal det udskiftes af producenten, dennes servicerepræsentant eller en lignende kvalificeret person for at undgå farer.
- Dele af apparatet kan fortsat være spændingsførende, hvis sikringen er sprunget.
- Reparationer på dette apparat må kun foretages af kvalificeret personale. Ved ukorrekte reparationer kan der opstå alvorlige farer.
- Når der arbejdes på elektriske anlæg, skal det kontrolleres, at der er nogen i nærheden, som kan hjælpe i et nødstilfælde.
- Før apparatet adskilles, skal alle forbindelse afbrydes, og det skal kontrolleres, at der ikke er spænding på nogen ind- eller udgange.
- Tag aldrig fat i uisolerede ledninger med bare hænder. Dette gælder frem for alt ved tilslutning til vekselstrømmettet.
- Afbryd apparatet fra strømmettet, før følgende opgaver udføres:
 - Rengøring og vedligeholdelse.
 - Skift af en sikring.
- Løsn ikke kabler, når apparatet stadig er i brug.
- Kontrollér før ibrugtagning, at tilførselsledningen og stikket er tørre.
- For hurtigt at kunne adskille apparatet fra nettet ved farer skal stikdåsen befinde sig i nærheden af apparatet og være nem at nå.

Sundhedsfare

- Dette apparat kan anvendes af børn over 8 år og personer med reducerede fysiske, sans- eller mentale evner eller uden erfaring eller viden, hvis de er under opsyn eller blev instrueret i sikker brug af apparatet og forstår de involverede farer.
- Hold altid apparatet uden for børns rækkevidde.
- Børn skal holdes under opsyn for at sikre, at de ikke leger med apparatet
- Rengøring og vedligeholdelse må ikke udføres af børn uden opsyn.

Fare for kvæstelser

- Træk ledningerne, så der ikke er fare for at falde over dem, og en beskadigelse af kablet er udelukket.

Eksplodingsfare

- Apparatet må ikke anvendes under disse forhold:
 - Fugtige eller våde omgivelser.
 - I nærheden af korrosive dampe.
 - I nærheden af brændbare materialer.
 - Risiko for gas- eller støvekspllosion.



BEMÆRK Fare for beskadigelse

- Udsæt ikke apparatet for varmekilder (sol, varmeapparater osv.). Undgå yderligere opvarmning af apparatet.
- Stil apparatet på et tørt sted, der er beskyttet mod stænkvand.
- Apparatet må ikke monteres i støvholdige omgivelser.
- Kontrollér, at monteringsoverfladen kan bære apparatets vægt.
- Anvend tomme rør eller ledningsgennemføringer, når ledninger skal føres gennem pladevægge eller andre vægge med skarpe kanter.
- Træk ledningerne, så de ikke kan blive beskadiget af døre eller motorhjelme.
- Træk ikke 230 V-netledningen og 12 V-jævnstrømsledningen sammen i den samme ledningskanal (tomme rør).
- Træk ikke ledningerne løst eller med skarpe knæk.
- Fastgør kablerne sikkert.
- Træk ikke i kablerne.
- Anvend altid jordede stikdåser, der er sikret med et fejlstrømsrelæ.
- Sørg for et tilstrækkeligt ledningstværsnit.

- Sørg for, at apparatets luftind- og -udgange ikke er tildækkede.
- Sørg for god ventilation.

Leveringsomfang

Antal	Beskrivelse
1	Inverter med ren sinusbølge
1	Monterings- og betjeningsvejledning
2	1,2 m batterikabel med M8-muffer.
1	1,2 m strømkabel
1	5 m forlængerkabel med RJ12-stik til fjernbetjening
1	Forlængerkabeladapter

Tilbehør

Beskrivelse	SKU
Sikrings sæt 80 A (til MT600)	9620000210 (MT06080)
Sikrings sæt 175 A (til MT1200)	9620000217 (MT06175)
Sikrings sæt 250 A (til MT1700)	9620000166 (MT06250)
5 m forlængerkabel med RJ12-stik til fjernbetjening	9620000171 (MT02005)

Målgruppe



Den elektriske installation og opsætning af apparatet skal udføres af en kvalificeret elektriker, som har godtgjort sine evner og sit kendskab med henblik på konstruktion og betjening af elektrisk udstyr og installationer, og som er bekendt med de gældende nationale forskrifter, hvor udstyret skal installeres og/eller anvendes, og som har modtaget sikkerhedsuddannelse med henblik på at kunne identificere og undgå de involverede farer.

Alle andre handlinger er også beregnet til ikke-professionelle brugere.

Korrekt brug

Apparatet er beregnet til at forsyne 230 V til tilsluttede udtag.

Apparatet er beregnet til indendørs brug.

Dette produkt er kun egnet til dets beregnede formål og anvendelse i overensstemmelse med disse anvisninger.

Denne vejledning giver dig oplysninger om, hvad der er nødvendigt med henblik på en korrekt montering og/eller drift af produktet. Dårlig montering og/eller ukorrekt drift eller vedligeholdelse medfører utilstrækkelig ydeevne og mulige fejl.

Producenten påtager sig intet ansvar for kvæstelser eller skader i forbindelse med produktet, der skyldes:

- Ukorrekt samling eller forbindelse inklusive for høj spænding
- Ukorrekt vedligeholdelse eller brug af uoriginale reservedele, der ikke stammer fra producenten
- Ændringer på produktet uden udtrykkelig tilladelse fra producenten
- Brug til andre formål end dem, der er beskrevet i vejledningen

Dometic forbeholder sig ret til at ændre produktets udseende og produktspecifikationer.

Teknisk beskrivelse

Apparatet er en jævnstrøm til vekselstrøm-sinusinverter, der er specielt tilpasset til apparater med høj startstrøm (f.eks. kompressorer til klimaanlæg).

Derudover har apparatet funktioner som f.eks.:

- Integreret mikroprocessorstyret koblingsteknologi
- Krystalstabiliseret vekselstrømsudgang
- Integreret netprioritetsoverførselskredsløb (kun -N-modeller)
- Elektrisk og termisk overbelastningsbeskyttelse
- Der kan konfigureres tærskler for underspændingsfrakobling
- Overspændingsbeskyttelse

- Temperatur- og indgangsstrømstyret ventilator
- Strømsparefunktion med konfigurerbare tærskler til lastdetektion og forsinkelsestid til automatisk slukning
- Drejeligt displaypanel, der kan anvendes som fjernbetjening

Installation af apparatet

Monteringsanvisninger

- Apparatet kan monteres i alle positioner.
- Med henblik på korrekt køling skal der som minimum være 200 mm fri plads til alle af apparatets sider (fig. **5**, side 5).
- Fjernbetjeningen bør installeret på et sted med god adgang.

Montering af apparatet



VIGTIGT! Fare for beskadigelse

Før du borer, skal du kontrollere, at elektriske kabler eller andre dele på køretøjet ikke beskadiges, når der bores, saves eller files.

1. Markér og bor 4 huller på monteringsoverfladen (fig. **6**, side 5).
2. Spænd apparatet sikkert fast (fig. **6**, side 5).

Montering af displaypanelet



VIGTIGT! Fare for beskadigelse

Før du borer, skal du kontrollere, at elektriske kabler eller andre dele på køretøjet ikke beskadiges, når der bores, saves eller files.

Displaypanelet kan fjernes og monteret igen på apparatet i positioner. Udfør følgende trin for at ændre displaypanelets position:

1. Fjern displaypanelet ved at løsne skruerne (fig. **2**, side 3, **1**).
2. Ændr displaypanelets position (fig. **2**, side 3).
3. Spænd skruerne (fig. **2**, side 3, **1**).

Displaypanelet kan også anvendes som en fjernbetjening. Udfør følgende trin for at monteret displaypanelet på et fjernt sted:

1. Fjern displaypanelet ved at løsne skrueerne (fig. **2**, side 3, **1**).
2. Afbryd kablet mellem displaypanelet og apparatet (fig. **3**, side 4, **3**).
3. Skær/klip monteringsoverfladen ud, og bor 2 huller (fig. **4**, side 4).
4. Tilslut displaypanelet til apparatet vha. forlængerkablet.
5. Montér displaypanelet vha. de korrekte fastgørelsesanordninger (fig. **2**, side 3, **1**).

Tilslutning af apparatet

1. Træk alle nødvendige ledninger.
2. Planlæg fordelingen og sikringsbeskyttelsen af kredsene grundigt. Batterisikringen skal installeres så tæt på batteriet som muligt. Den anbefalede afstand er inden for 150 mm.
3. Jordforbindelsen på apparatet skal forbindes med jord. Anvend et kabel med et tværsnit på 4 mm².
4. Kontrollér, at alle ledninger isat og tilsluttet korrekt.
5. Sørg for at sikre alle ledninger med trækaflastningsklemmer.
6. Tilslut apparatet som vist (fig. **1**, side 3).



VIGTIGT! Fare for beskadigelse

Batterikabler må ikke tilsluttes til batteriet med omvendt polaritet, ellers kan apparatet blive beskadiget.

fig. 1 , side 3	Beskrivelse	
1	Sikring	10 A, reversibel
2	Jordklemme	M5
3	Forbindelsesklemme	N/PE
4	Udgangsstik	230 V-vekselstrøm
5	Indgangsstik	Ekstern netstrøm
6	Sort kabel (-)	M8-muffer
7	Orange kabel (+)	M8-muffer
8	Batteri	

7. Kontrollér, at alle fastgørelser er spændt korrekt, og at tilslutningerne er sikre inklusive tilslutningerne på sikringen.

Tilslutning af neutralleder til jord



ADVARSEL! Fare for elektrisk stød

Monteringen må kun udføres af en kvalificeret elektriker.

Der skal anvendes en beskyttelsesanordning i anvendelser, hvor inverteren forsyner flere udtag (fig. **9**, side 7). I dette tilfælde kræves der tilslutning af neutrallederen (N) til beskyttelsesjord (PE).

1. Afisolér begge ender på en ledning med et tværsnit på 4 mm² (fig. **10**, side 7, **1**).
2. Brug en skruetrækker til at frigøre lasken.
3. Sæt ledningen ind i forbindelsesklemmen (fig. **10**, side 7, **2**).
4. Brug en skruetrækker til at fastgøre lasken.

Anvendelse af apparatet

Displaypanel

fig. 2 , side 3	Beskrivelse	
2	Tænd/sluk-knap	
3	Inverter LED	
4	Automatisk LED	
5	Linje LED	
6	< 50 % LED	Lastindikator
7	< 100 % LED	Lastindikator
8	LED for overbelastning	Overbelastningsindikator

Netprioritetskobling

Koblingen mellem inverteren og netstrømmen foregår automatisk. Drift på nettet har prioritet. Hvis der findes netspænding på indgangsstikket (fig. **1**, side 3, **5**), skifter apparatet til den eksisterende netstrøm og forsyner spændingen til udgangsstikket (fig. **1**, side 3, **4**). Inverteren slukkes automatisk helt, og der hentes ikke længere effekt fra batteriet. Denne status vises med **LINE** LED'en (fig. **2**, side 3, **5**).

Så længe netspændingen tilsluttes, kan inverteren ikke tændes igen. Hvis der ikke forsynes eksternt spænding, arbejder apparatet som en ren inverter.

Direkte forsyning af forbrugere på inverteren

Alle apparater har en effektudgang til direkte tilslutning af 230 V-vekselstrømsforbrugere (fig. **7**, side 6).

Inverterforsyning til flere udtag



ADVARSEL! Fare for elektrisk stød

Monteringen må kun udføres af en kvalificeret elektriker.

Apparatet kan forsyne 230 V-vekselstrøm til flere udtag på én gang. Hvis der findes flere udtag, skal der monteres en passende beskyttelsesanordning (fig. **8**, side 6).

Efter tilslutningen af inverteren til batteriet, er apparatet driftsklart.

► For at tænde for inverteren skal der kort trykkes på knappen **ON/OFF** på displaypanelet (fig. **2**, side 3, **2**).

LED'en **INVERTER** (fig. **2**, side 3, **3**) indikerer, om den er driftsklar. Efter en intern selvtest af hele systemet lyder der to eller tre korte og et langt bip. Derefter er inverteren klar til brug.

Automatisk modus

Inverteren starter op på automatisk modus. Denne modus vises med **INVERTER** (fig. **2**, side 3, **3**) og **AUTOMATIC** (fig. **2**, side 3, **4**) LED'er på displaypanelet. Den automatisk modus hjælper med at spare på batterienergien for større

forbrugere. Større forbrugere tændes som regel for en kort tid eller i intervaller, mens inverteren belaster batteriet permanent. Når der er tændt, kontrollerer inverteren konstant den tilsluttede last. Så længe det tilsluttede apparat er tændt, leverer inverteren den krævede effekt. Når det tilsluttede apparat er slukket, detekterer inverteren denne tilstand og skifter automatisk til standbytilstand efter en meget kort overvågningstid. Dette vises med, at **AUTOMATIC**-LED'en blinker på displaypanelet (fig. **2**, side 3, **4**). Inverteren kontrollerer nu hvert sekund, om der er tilsluttet en last på udgangen. Hvis den ikke finder en forbruger på standbytilstand inden for det forindstillede interval, slukker den automatisk og kan kun genstartes med knappen **ON/OFF** (fig. **2**, side 3, **2**).

Standbydriften kan tilpasses efter de individuelle krav ved at indstille tærsklen for standbylast og varigheden for standbyscanningen.

Udfør følgende trin for at tilpasse standbykriterierne:

1. Fjern displaypanelet ved at løsne skrueerne (fig. **2**, side 3, **1**).
2. Tilpas lasttærsklen med DIP-omskifter 1 (fig. **3**, side 4, **4**).
3. Tilpas standbyscanningstiden med DIP-omskifter 2 (fig. **3**, side 4, **4**).

Permanent drift (uden standbyfunktion)

For at anvende inverteren med forbrugere, der har et meget lavt effektforbrug, som f.eks. batteriladere og radioer, skal standbyfunktionen deaktiveres. Hvis det tilsluttede apparat er slukket, fortsætter inverteren med at køre og belaster batteriet permanent med ca. 6 til 10 W.

Alle invertere kan startes, når standbyfunktionen er deaktiveret.

► For at tænde for inverteren, mens standbyfunktionen er deaktiveret, skal du trykke på knappen **ON/OFF** på displaypanelet i 3 sekunder (fig. **2**, side 3, **2**).

Denne driftsmodus vises ved at LED'en **INVERTER** lyser konstant (fig. **2**, side 3, **4**) på displaypanelet. LED'en **AUTOMATIC** (fig. **2**, side 3, **4**) slukker.

Udfør følgende trin for at deaktivere standbyfunktionen:

1. Fjern displaypanelet ved at løsne skrueerne (fig. **2**, side 3, **1**).
2. Indstil DIP-omskifter 3 (fig. **3**, side 4, **4**) på positionen *OFF*.

Permanent modus

På den permanente driftsmodus starter inverteren automatisk, så snart den tilsluttes til et batteri. Inverteren slukker kun, når der tilsluttes eksternt 230 V-netspænding. Efter frakobling af den eksterne netspænding starter inverteren med at fungere uafhængigt igen. På denne modus er funktionen for knappen *ON/OFF* (fig. **2**, side 3, **2**) på displaypanelet deaktiveret.

Udfør følgende trin for at aktivere den permanente modus:

1. Fjern displaypanelet ved at løsne skrueerne (fig. **2**, side 3, **1**).
2. Indstil DIP-omskifter 4 (fig. **3**, side 4, **4**) på positionen *ALWAYS ON*.

Rengøring og vedligeholdelse



ADVARSEL! Fare for elektrisk stød

Træk altid netstikket ud, før du rengør og vedligeholder apparatet.



VIGTIGT! Fare for beskadigelse

Apparatet må aldrig anvendes under rindende vand eller i en opvaskemaskine. Anvend ikke slibende rengøringsmidler eller hårde genstande under rengøring, da de kan beskadige apparatet.

► Rengør af og til produktet med trykluft.

Udbedring af fejl

Status	LED for overbelastning	< 100 % LED	< 50 % LED	Inverter LED	Akustisk signal
Udgangsfejl	Blinker	Blinker	Blinker	Slukket/blinker ¹	3 sekunders bip/bryde
Udgang kortslutning	Blinker	Blinker	Slukket	Slukket/blinker ¹	2x kort bip/1x langt bip/bryde
Overload	Blinker	Slukket	Slukket	Slukket/blinker ¹	6x/bryde
Overtemperatur	Blinker	Tændt	Slukket	Slukket/blinker ¹	8x/bryde
Underspænding	Slukket	Slukket	Slukket	Slukket/blinker ¹	4x/bryde
Overspænding	Slukket	Slukket	Slukket	Slukket/blinker ¹	2x/bryde
Intern fejl	Slukket	Slukket	Slukket	Blinker	Kontinuerlig

¹Varighed og temperaturafhængig.

Hvis inverterens drift er stoppet pga. en af de tidligere nævnte årsager, kan der udføres en manuel genstart.

► For at genstarte inverteren manuelt skal der slukkes på apparatets kontakt eller trykkes på knappen *ON/OFF* på displaypanelet (fig. **2**, side 3, **2**).

Hvis en parameter forsat er over eller under grænseværdien efter en genstart, forhindres starten, og den pågældende LED og de akustiske signalkvenser melder en fejl.



VIGTIGT! Fare for beskadigelse

Vent med at genstarte i 5 til 10 minutter, så apparatet kan køle ned i tilfælde af overtemperatur.



VIGTIGT! Fare for beskadigelse

I tilfælde af overbelastning skal lasten afbrydes og de tilsluttede forbrugere reduceres. Undgå yderligere starter med overbelastning.

Garanti

Den lovbestemte garantiperiode gælder. Hvis produktet er defekt, bedes du kontakte din forhandler eller producentens afdeling i dit land (se dometic.com/dealer).

Ved reparation eller krav om garanti skal du medsende følgende bilag:

- En kopi af regningen med købsdato
- En reklameringsgrund eller en fejlbeskrivelse.

Vær opmærksom på, at egne eller uprofessionelle reparationer kan have sikkerhedsmæssige konsekvenser og kan gøre garantien ugyldig.

Bortskaffelse

Genbrug af produkter med batterier, genopladelige batterier eller lyskilder, der ikke kan udskiftes



Hvis produktet indeholder batterier, genopladelige batterier eller lyskilder, der ikke kan udskiftes, skal du ikke fjerne dem før bortskaffelse.



Hvis du vil bortskaffe produktet endegyldigt, skal du kontakte den nærmeste genbrugsstation eller din faghandel for at få de pågældende forskrifter om bortskaffelse.

- ▶ Produktet kan bortskaffes uden gebyr.



Genbrug af emballagemateriale



Bortskaf så vidt muligt emballagemateriale sammen med det tilsvarende genbrugsaffald.

Tekniske data

	MT 600 SI-N	MT 1200 SI/SI-N	MT 1700 SI/SI-N
Nominal indgangsspænding	12 V $\overline{=}$		
Indgangsspændingsområde	10,5–15 V $\overline{=}$		
Min. batterikapacitet (afhængigt af forbrugeren)	> 80 Ah	> 110 Ah	> 150 Ah
Batterikabler (1,2 m lange)	2 × 10 mm ²	2 × 25 mm ²	2 × 35 mm ²
Anbefalet batterisikring	80 A	175 A	250 A
Udgangsspænding	230 V \sim		
Udgangsfrekvens	50 Hz		
Kontinuerlig effekt (ved 30°C)	600 W	1200 W	1700 W
Kortfristet effekt	840 W	1400 W	2100 W
Spidseffekt	1200 W	2000 W	3000 W
Jævnstrømsforbrug ved nominal effekt	56 A	115 A	165 A
Maks. jævnstrømsforbrug ved overbelastning	90 A	140 A	200 A
Effektfaktor for forbrugere	Alt er tilladt.		
Maks. batterispænding	16,0 V		

	MT 600 SI-N	MT 1200 SI/SI-N	MT 1700 SI/SI-N
Min. batterispænding (lastafhængig, dynamisk)	10,5 V	10,7 V	10,7 V
Tomgangsforbrug, ca. (uden last)	6 W	8 W	10 W
Standbyforbrug, ca. (uden last)	5 W	3 W	5 W
Nedlukningskriterie for standby	< 15 W / 60 W	< 25 W / 60 W	< 25 W / 60 W
Holdetid for standby	30 sekunder		
Varighed for standby	5/10 minutter		
Beskyttelse	Overbelastning, overtemperatur.		
Køling	Trinløs temperaturstyret ventilator.		
Automatisk netkobling (kun -N-modeller) lastkapacitet	2300 W		
Beskyttelsesklasse/IP-kapslingsklasse	I/II, IP21	II, IP21	II,IP21
Vægt	3750 g	6000 g	7600 g
Mål (L × H × B), i mm	335 × 270 × 72	400 × 300 × 70	460 × 300 × 70
Maks. luftfugtighed	95 %, ikke-kondenserende		
Godkendelse	 		

Läs och följ noggrant alla instruktioner, direktiv och varningar i den här produkthandboken för att säkerställa att du alltid installerar, använder och underhåller produkten på rätt sätt. Dessa instruktioner MÅSTE förvaras tillsammans med produkten.

Genom att använda produkten bekräftar du härmed att du noggrant har läst alla instruktioner, direktiv och varningar och att du förstår och är införstådd med att följa de villkor som anges här. Du är införstådd med att endast använda denna produkt i avsett syfte och i enlighet med instruktionerna, direktiven och varningarna som anges i denna produkthandbok samt i enlighet med alla gällande lagar och bestämmelser. Om du inte läser och följer instruktionerna och varningarna som anges här kan det leda till personskador på dig eller andra, eller till skador på produkten eller annan egendom i närheten. Denna produkthandbok, inklusive instruktionerna, direktiven och varningarna samt relaterad information, kan ändras och uppdateras. För uppdaterad produktinformation, besök documents.dometic.com.

Innehåll

Symbolförklaring	60
Säkerhetsanvisningar	60
Leveransomfattning	61
Tillbehör	61
Målgrupp	61
Avsedd användning	62
Teknisk beskrivning	62
Installera apparaten	62
Använda apparaten	63
Rengöring och skötsel	65
Felsökning	65
Garanti	66
Avfallshantering	66

Symbolförklaring



WARNING!

Säkerhetsanvisning: Anger en farlig situation som, om den inte kan undvikas, kan leda till döden eller allvarlig personskada.



AKTA!

Säkerhetsanvisning: Anger en farlig situation som, om den inte kan undvikas, leder lindrig eller måttlig personskada.



OBSERVERA!

Anger en situation som, om den inte kan undvikas, kan leda till materiell skada.



ANVISNING

Kompletterande information om användning av produkten.

Säkerhetsanvisningar



FARA! Om man underlåter att följa de här varningarna blir följden dödsfall eller allvarlig personskada.

Brandrisk/brännbara material

- Vid brand får endast brandsläckare användas som är avsedda för elektriska apparater.

Risk för dödsfall på grund av elektricitet

- Den röda och den svarta kontakten får aldrig vidröra varandra.
- Om apparaten eller anslutningskabeln uppvisar synliga skador får apparaten inte tas i drift.
- Om apparatens anslutningskabel skadas måste den av säkerhetsskäl bytas ut av tillverkaren, en servicerepresentant eller någon annan behörig person.
- Vissa delar av apparaten kan fortfarande stå under spänning även om säkringen har gått.
- Denna apparat får endast repareras av härför utbildad personal. Icke fackmässiga reparationer kan medföra allvarliga risker.
- Om du arbetar med elektriska system, se till att det finns en annan person i närheten som kan ingripa i nödfall.
- Lossa alla anslutningar och kontrollera att alla in- och utgångar är spänningsfria innan du demonterar apparaten.
- Ta inte tag i avskalade ledningar med händerna. Detta gäller framför allt vid drift med växelström.
- Koppla bort apparaten från elnätsanslutningen innan följande arbeten utförs:
 - Rengöring och skötsel.
 - Byte av säkring.
- Lossa inga kablar när apparaten används.
- Kontrollera, innan apparaten tas i drift, att elkablen och stickkontakten är torra.
- För att apparaten snabbt ska kunna kopplas bort från nätet måste uttaget sitta i närheten av apparaten.

Hälsorisk

- Barn från åtta års ålder, personer med nedsatt fysisk, sensorisk eller mental förmåga, eller personer med bristande erfarenhet och kunskaper får använda den här anordningen förutsatt att de hålls under uppsikt eller om de har fått anvisningar om hur man använder den här anordningen på ett säkert sätt och känner till vilka risker som är förknippade med användningen.
- Förvara alltid apparaten utom räckhåll för barn.
- Barn måste hållas under uppsikt så att de inte leker med apparaten
- Utan uppsikt får barn inte utföra rengörings- eller underhållsarbeten.

Risk för personskada

- Dra kablar så att ingen kan snubbla över dem och så att kablar inte kan skadas.

Explosionsrisk

- Använd inte apparaten i dessa förhållanden:
 - Blöta eller fuktiga omgivningar.
 - Nära korrosiva ångor.
 - Nära brännbara material.
 - Vid risk för gas- eller dammexplosion.



ANVISING Risk för skada

- Utsätt inte apparaten för värme (direkt solljus, värmeelement, o.s.v.). Förhindra att detta gör apparaten ännu varmare.
- Ställ apparaten i ett torrt utrymme där den är skyddad mot vattenstänk.
- Apparaten får inte monteras i dammiga omgivelningar.
- Se till att monteringsytan kan bära apparatens vikt.
- Använd tomma rör eller kabelkanaler om kablar dras genom plåtväggar eller andra väggar med vassa kanter.
- Dra kablar så att de inte kan skadas av dörrar eller motorhuvor.
- Lägg inte 230 V-nätledningen och 12-V-likströmsledningen i samma kabelkanal (tomt rör).
- Lägg inte kablar löst eller med skarpa böjar.
- Sätt fast kablar så att de sitter säkert.
- Dra inte i kablar.
- Använd alltid jordade uttag med FI-jordfelsbrytare.
- Se till att kabelarean är tillräcklig.
- Kontrollera att apparatens luftintag och luftutlopp inte är övertäckta.
- Säkerställ en god ventilation.

Leveransomfattning

Mängd	Beskrivning
1	Ren sinusväxelriktare
1	Monterings- och bruksanvisning
2	1,2 m batterikabel med M8-kabelskor.
1	1,2 m nätkabel
1	5 m förlängningskabel med RJ12-kontakter för fjärrkontroll
1	Förlängningskabeladapter

Tillbehör

Beskrivning	SKU
Säkringssats 80 A (för MT600)	9620000210 (MT06080)
Säkringssats 175 A (för MT1200)	9620000217 (MT06175)
Säkringssats 250 A (för MT1700)	9620000166 (MT06250)
5 m förlängningskabel med RJ12-kontakter för fjärrkontroll	9620000171 (MT02005)

Målgrupp



Elinstallation och inställningen av apparaten måste utföras av en kvalificerad elektriker som har bevisat sina färdigheter och kunskaper inom konstruktion och drift av elutrustning och elinstallationer och som känner till gällande bestämmelser i landet där utrustningen installeras och/eller används och har fått säkerhetsutbildning för att kunna upptäcka och undvika de faror som kan uppstå.

Alla andra åtgärder som beskrivs är avsedda även för icke-professionella användare.

Avsedd användning

Apparaten är avsedd för att mata anslutna uttag med 230 V.

Apparaten är avsedd för inomhusbruk.

Den här produkten lämpar sig endast för avsedd användning i enlighet med denna bruksanvisning.

Den här manualen informerar om vad som krävs för att installera och/eller använda produkten på rätt sätt. Felaktig installation och/eller användning eller felaktigt underhåll kommer leda till att produkten inte fungerar optimalt och riskerar gå sönder.

Tillverkaren tar inget ansvar för personskador eller materiella skador på produkten som uppstår till följd av:

- Felaktig montering eller anslutning, inklusive för hög spänning
- Felaktigt underhåll eller användning av reservdelar som inte är originaldelar från tillverkaren
- Ändringar som utförts utan uttryckligt medgivande från tillverkaren
- Användning för andra ändamål än de som beskrivs i denna bruksanvisning.

Dometic förbehåller sig rätten att ändra produktens utseende och specifikationer.

Teknisk beskrivning

Apparaten är en ren sinusväxelriktare för likström till växelström, specialanpassad för apparater med höga startströmmar (t.ex. luftkonditioneringskompressorer).

Dessutom erbjuder apparaten funktioner som:

- Integrerad mikroprocessorstyrd omkopplings-teknik
- Kristallstabiliserad växelströmsutgång
- Integrerad prioritetsöverföringskrets för nätan-slutning (endast -N-modeller)
- Elektriskt och termiskt överbelastningsskydd
- Konfigurerbara avstängningströsklar vid under-spänning
- Överspänningsskydd
- Temperatur- och ingångsströmsstyrd fläkt

- Strömsparfunktion med konfigurerbara trösklar för lastdetektering och fördröjningstid för automatisk avstängning
- Vridbar displaypanel som kan användas som fjärrkontroll

Installera apparaten

Monteringsanvisningar

- Apparaten kan monteras i vilket läge som helst.
- Lämna minst 200 mm fritt utrymme på alla sidor för tillräcklig kylning (bild **5**, sida 5).
- Fjärrkontrollen ska installeras på ett åtkomligt ställe.

Montera apparaten



OBSERVERA! Risk för skada

Innan borringar görs: Kontrollera att inga elkablar eller andra delar kan skadas genom borring, sågning eller filning.

1. Markera och borra 4 hål på monteringsytan (bild **6**, sida 5).
2. Sätt fast apparaten ordentligt (bild **6**, sida 5).

Montera displaypanelen



OBSERVERA! Risk för skada

Innan borringar görs: Kontrollera att inga elkablar eller andra delar kan skadas genom borring, sågning eller filning.

Displaypanelen kan tas bort och installeras om i vilket läge som helst på apparaten. Genomför följande steg för att placera om displaypanelen:

1. Ta bort displaypanelen genom att lossa skruvarna (bild **2**, sida 3, **1**).
2. Placera om displaypanelen (bild **2**, sida 3).
3. Dra åt skruvarna (bild **2**, sida 3, **1**).

Displaypanelen kan även användas som fjärrkontroll. Genomför följande steg för att installera displaypanelen på en avlägsen plats:

1. Ta bort displaypanelen genom att lossa skruvarna (bild **2**, sida 3, **1**).
2. Lossa kabeln mellan displaypanelen och apparaten (bild **3**, sida 4, **3**).

- Skär ut monteringsytan och borra 2 hål (bild **4**, sida 4).
- Anslut displaypanelen till apparaten med förlängningskabeln.
- Installera displaypanelen med lämpliga fästdon (bild **2**, sida 3, **1**).

Ansluta apparaten

- Dra alla ledningar som behövs.
- Planera noggrant hur kretsarna ska fördelas och skyddas med säkringar. Batterisäkringens ska installeras så nära batteriet som möjligt. Rekommenderat avstånd är inom 150 mm.
- Jordanslutningen på apparaten ska anslutas till jord. Använd kabel med kabelarea 4 mm².
- Se till att alla ledningar sätts in och ansluts ordentligt.
- Säkra alla ledningar med dragavlastningsklämmor.
- Anslut apparatenheten som det visas (bild **1**, sida 3).



OBSERVERA! Risk för skada

Batterikablarna får inte anslutas till batteriet med omvända poler, då detta kan förstöra apparaten.

bild 1 , sida 3	Beskrivning	
1	Säkring	10 A, reversibel
2	Jordplint	M5
3	Länklint	N/PE
4	Utgångsuttag	230 V AC
5	Ingångsuttag	Extern nätanslutning
6	Svart kabel (-)	M8-kabelskor
7	Orange kabel (+)	M8-kabelskor
8	Batteri	

- Se till att alla fästen är ordentligt åtdragna och att anslutningarna är säkra, inklusive anslutningarna vid säkringens.

Ansluta neutralledaren till jord



VARNING! Risk för dödsfall på grund av elektricitet

Installationen får endast utföras av en kvalificerad elektriker.

I applikationer där växelriktaren försörjer flera uttag måste en skyddsanordning användas (bild **9**, sida 7). I detta fall behöver neutralledarens (N) anslutas till skyddsjord (PE).

- Skala av båda ändarna av en kabel med 4 mm² tvärsnittsarea (bild **10**, sida 7, **1**).
- Lossa låsfliken med en skruvmejsel.
- Sätt in kabeln i länklinten (bild **10**, sida 7, **2**).
- Dra åt låsfliken med en skruvmejsel.

Använda apparaten

Displaypanel

bild 2 , sida 3	Beskrivning	
2	Knapp På/Av	
3	Växelriktarlysdiod	
4	Automatisk lysdiod	
5	Ledningslysdiod	
6	< 50 % lysdiod	Lastindikator
7	< 100 % lysdiod	Lastindikator
8	Lysdiod för överbelastning	Indikator för överbelastning

Prioritetsomkoppling för elnätsanslutning

Omkopplingen mellan växelriktare och nätförsörjning sker automatiskt. Nätförsörjning prioriteras. Om nätspänning: finns på ingångsuttaget (bild **1**, sida 3, **5**), växlar apparaten till extern nätanslutning och matar spänningen till utgångsuttaget (bild **1**, sida 3, **4**). Växelriktaren stängs av helt automatiskt och drar inte längre någon ström från batteriet. Denna status indikeras med *LINE*-lysdioden (bild **2**, sida 3, **5**).

Så länge nätspänning ligger på kan inte växelriktaren slås på igen. Om ingen extern spänning matas in fungerar apparaten som en ren växelriktare.

Direktförsörjning av förbrukare på växelriktaren

Alla apparater har ett eluttag för direkt anslutning av 230 V-växelströmsförbrukare (bild **7**, sida 6).

Växelriktarförsörjning till flera uttag



WARNING! Risk för dödsfall på grund av elektricitet

Installationen får endast utföras av en kvalificerad elektriker.

Apparaten kan mata flera uttag samtidigt med 230 V växelström. Om flera uttag används måste en lämplig skyddsanordning installeras (bild **8**, sida 6).

Efter att växelriktaren anslutits till batteriet är apparaten driftklar.

- För att slå på växelriktaren, tryck kortvarigt på *ON/OFF*-knappen på displaypanelen (bild **2**, sida 3, **2**).

INVERTER-lysdioden (bild **2**, sida 3, **3**) indikerar att den är driftklar. Efter ett internt självtest av hela systemet hörs två eller tre korta och en lång pipsignal. Sedan är växelriktaren driftklar.

Automatläge

Växelriktaren startar i automatläge. Läget visas med lysdiодerna *INVERTER* (bild **2**, sida 3, **3**) och *AUTOMATIC* (bild **2**, sida 3, **4**) på displaypanelen. Det automatiska läget hjälper till att spara batterienergi för större förbrukare. Stora förbrukare slås oftast bara på en kort tid eller i intervall, medan växelriktaren laddar batteriet hela tiden.

När växelriktaren slås på kontrollerar den hela tiden den anslutna lasten. Så länge den anslutna apparaten är påslagen levererar växelriktaren den effekt som behövs. När den anslutna apparaten är avstängd, känner växelriktaren av detta tillstånd och växlar automatiskt till standbyläge efter en mycket kort observationstid. Detta visas genom att *AUTOMATIC*-lysdioden blinkar på displaypanelen (bild **2**, sida 3, **4**). Växelriktaren kontrollerar nu

varannan sekund ifall en last är ansluten till utgången. Om den inte hittar en förbrukare i standbyläge inom det förinställda intervallet, stängs den av helt och kan bara startas om med *ON/OFF*-knappen (bild **2**, sida 3, **2**).

Standbydriften kan anpassas efter kundens krav genom att standbylastens tröskel och standbyskanningens varaktighet ställs in.

Utför följande steg för att ställa in standbykraven:

1. Ta bort displaypanelen genom att lossa skruvarna (bild **2**, sida 3, **1**).
2. Ställ in lasttröskeln med DIP-switch 1 (bild **3**, sida 4, **4**).
3. Ställ in standbyskanningstiden med DIP-switch 2 (bild **3**, sida 4, **4**).

Permanent drift (utan standbyfunktion)

För att använda växelriktaren med förbrukare med mycket låg effekt, som batteriladdare och radioapparater, måste standbyfunktionen avaktiveras. Om den anslutna apparaten stängs av, fortsätter växelriktaren och laddar batteriet permanent med ungefär 6 till 10 W.

Alla växelriktare kan startas med standbyfunktionen avaktiverad.

- För att slå på växelriktaren med standbyfunktionen avaktiverad, tryck på *ON/OFF*-knappen på displaypanelen i 3 sekunder (bild **2**, sida 3, **2**).

Detta driftläge indikeras med den konstant tända *INVERTER*-lysdioden (bild **2**, sida 3, **4**) på displaypanelen. *AUTOMATIC*-lysdioden (bild **2**, sida 3, **4**) stängs av.

Genomför följande steg för att avaktivera standbyfunktionen:

1. Ta bort displaypanelen genom att lossa skruvarna (bild **2**, sida 3, **1**).
2. Ställ DIP-switch 3 (bild **3**, sida 4, **4**) på *OFF*-läget.

Permanent läge

I permanent driftläge startar växelriktaren automatiskt när den ansluts till ett batteri. Växelriktaren stängs bara av när extern 230 V nätspänning läggs på. När den externa nätspänningen tas bort börjar växelriktaren arbeta oberoende igen. I detta läge är funktionen för *ON/OFF*-knappen (bild **2**, sida 3, **2**) på displaypanelen avaktiverad.

Genomför följande steg för att möjliggöra permanent läge:

1. Ta bort displaypanelen genom att lossa skruvarna (bild **2**, sida 3, **1**).
2. Ställ DIP-switch 4 (bild **3**, sida 4, **4**) på *ALWAYS ON*-läget.

Felsökning

Status	Lysdiod för överbelastning	< 100 % lysdiod	< 50 % lysdiod	Växelriktar-lysdiod	Akustisk signal
Utgångsfel	Blinkar	Blinkar	Blinkar	Av/Blinkar ¹	3 sekunders pip/avbrott
Kortslutning på utgången	Blinkar	Blinkar	Av	Av/Blinkar ¹	2x kort pip/1x långt pip/avbrott
Overload	Blinkar	Av	Av	Av/Blinkar ¹	6x/avbrott
Övertemperatur	Blinkar	På	Av	Av/Blinkar ¹	8x/avbrott
Underspänning	Av	Av	Av	Av/Blinkar ¹	4x/avbrott
Överspänning	Av	Av	Av	Av/Blinkar ¹	2x/avbrott
Internt fel	Av	Av	Av	Blinkar	Konstant

¹Varaktighets- och temperaturberoende.

Om växelriktaren har slutat gå av en av de tidigare anledningarna går det att göra en manuell omstart.

► För att starta om växelriktaren manuellt, stäng av med apparatens brytare eller tryck på *ON/OFF*-knappen på displaypanelen (bild **2**, sida 3, **2**).

Om det fortfarande finns en parameter över eller under gränsvärdena efter omstarten, förhindras starten och tillhörande lysdiod- och akustiska signalsekvens signalerar ett fel.

Rengöring och skötsel



WARNING! Risk för dödsfall på grund av elektricitet

Koppla alltid bort elnätanslutningen före rengöring och skötsel av apparaten.



OBSERVERA! Risk för skada

Rengör aldrig apparaten under rinnande vatten eller i diskvatten. Använd inga frätande rengöringsmedel eller hårda föremål vid rengöring, då dessa kan skada apparaten.

► Rengör produkten då och då med tryckluft.



OBSERVERA! Risk för skada

Vid övertemperatur, vänta 5 till 10 minuter så att apparaten svalnar innan den startas om.



OBSERVERA! Risk för skada

Vid överbelastning, stäng av lasten och minska antalet anslutna förbrukare. Gör inga fler starter med överbelastning.

Garanti

Den lagstadgade garantitiden gäller. Kontakta din återförsäljare eller tillverkarens avdelningskontor i ditt land (se dometic.com/dealer) om produkten är defekt.

Vid reparations- och garantiärenden ska följande dokument skickas med när du returnerar produkten:

- En kopia på fakturan med inköpsdatum
- En reklamationsbeskrivning eller felbeskrivning

Observera att självständiga eller icke professionella reparationer kan påverka säkerheten och leda till att garantin blir ogiltig.

Avfallshantering

Återvinning av produkter med icke-utbytbara batterier, laddningsbara batterier eller ljuskällor

	MT 600 SI-N	MT 1200 SI/SI-N	MT 1700 SI/SI-N
Märkspänning ingång	12 V ---		
Område ingångsspänning	10,5–15 V ---		
Minsta batterikapacitet (beroende på förbrukare)	> 80 Ah	> 110 Ah	> 150 Ah
Batterikablar (1,2 m långa)	2 × 10 mm ²	2 × 25 mm ²	2 × 35 mm ²
Rekommenderad batterisäkring	80 A	175 A	250 A
Utspänning	230 V ~		
Utgångsfrekvens	50 Hz		
Kontinuerlig effekt (vid 30 °C)	600 W	1200 W	1700 W
Kortvarig effekt	840 W	1400 W	2100 W
Toppeffekt	1200 W	2000 W	3000 W
Likströmsförbrukning vid märkeffekt	56 A	115 A	165 A
Maximal likströmsförbrukning vid överbelastning	90 A	140 A	200 A
Effektfaktor för förbrukare	Allt är tillåtet.		
Maximal batterispänning	16,0 V		
Minsta batterispänning (lastberoende, dynamisk)	10,5 V	10,7 V	10,7 V
Ungefärlig viloförbrukning (utan last)	6 W	8 W	10 W
Ungefärlig standbyförbrukning (utan last)	5 W	3 W	5 W



Om produkten innehåller icke-utbytbara batterier, laddningsbara batterier eller ljuskällor behöver du inte avlägsna dem före kassering.



När produkten slutgiltigt tas ur bruk: Informera dig om gällande bestämmelser hos närmaste återvinningscentral eller hos återförsäljaren.


- Produkten kan kasseras utan avgift.

Återvinning av förpackningsmaterial



► Lämna om möjligt förpackningsmaterialet till återvinning.

Tekniska data

	MT 600 SI-N	MT 1200 SI/SI-N	MT 1700 SI/SI-N
Avstängningskriterium för standby	< 15 W/60 W	< 25 W/60 W	< 25 W/60 W
Standby-hålltid	30 sekunder		
Varaktighet standby	5/10 minuter		
Skydd	Överbelastning, övertemperatur.		
Kylning	Steglös temperaturstyrd fläkt.		
Lastkapacitet: för automatisk omkoppling av näanslutning (endast -N-modeller)	2300 W		
Kapslingsklass/IP-klass	I/II, IP21	II, IP21	II, IP21
Vikt	3750 g	6000 g	7600 g
Mått (L × H × B), in mm	335 × 270 × 72	400 × 300 × 70	460 × 300 × 70
Maximal fuktighet	95 % , ej kondenserande		
Certifiering			

Vennligst les disse instruksjonene nøye og følg alle instruksjoner, retningslinjer og advarsler som er inkludert i denne produktveiledningen for å sikre at du installerer, bruker og vedlikeholder produktet ordentlig til enhver tid. Disse instruksjonene MÅ følge med dette produktet.

Ved å bruke dette produktet bekrefter du at du har lest alle instruksjoner, retningslinjer og advarsler nøye, og at du forstår og aksepterer å overholde betingelsene og vilkårene slik de er presentert her. Du godtar å bruke dette produktet kun til tiltenkt formål og anvendelse, og i samsvar med instruksjonene, retningslinjene og advarslene slik de er presentert i denne produktveiledningen, så vel som i samsvar med alle gjeldende lovbestemmelser og forskrifter. Hvis instruksjonene og advarslene som er presentert her, ikke blir lest og fulgt, kan dette resultere i personskader hos deg selv eller andre, skade på produktet eller skade på annen eiendom i nærheten. Denne produktveiledningen, inkludert instruksjonene, retningslinjene og advarslene, samt relatert dokumentasjon, kan være underlagt endringer og oppdateringer. For oppdatert produktinformasjon, se documents.dometic.com.

Innhold

Symbolforklaring	68
Sikkerhetsregler	68
Leveringsomfang	69
Tilbehør	69
Målgruppe	69
Forskriftsmessig bruk	70
Teknisk beskrivelse	70
Installere apparatet	70
Bruk av apparatet	71
Rengjøring og vedlikehold	73
Feilretting	73
Garanti	74
Avfallshåndtering	74

Symbolforklaring



ADVARSEL!

Sikkerhetsregel: Kjennetegner en farlig situasjon som - dersom den ikke unngås - kan resultere i alvorlige personskader, eventuelt med døden til følge.



FORSIKTIG!

Sikkerhetsregel: Kjennetegner en farlig situasjon som - dersom den ikke unngås - kan resultere i mindre til moderate personskader.



PASS PÅ!

Kjennetegner en situasjon som - dersom den ikke unngås - kan resultere i materielle skader.



MERK

Ytterligere informasjon om betjening av produktet.

Sikkerhetsregler



FARE! Manglende overholdelse av disse advarslene resulterer i alvorlige personskader, eventuelt med døden til følge.

Brannfare / brennbare materialer

- Ved branntilfeller må det brukes et brannslukningsapparat som er egnet for elektriske apparater.

Fare for elektrisk støt

- Pass på at du aldri berører den røde og den svarte klemmen.
- Hvis apparatet eller tilkoblingskabelen har synlige skader, må ikke apparatet brukes.
- Hvis strømkabelen til dette apparatet kommer til skade, må den skiftes ut av produsenten, et serviceverksted eller annen kvalifisert person for å unngå farlige situasjoner.
- Deler av apparatet kan fortsatt være under spenning også etter at sikringen har gått.
- Reparasjoner på dette apparatet må kun utføres av kvalifiserte fagfolk. Usakkyndige reparasjoner kan føre til alvorlige farer.
- Når du arbeider på elektriske anlegg, forsikre deg om at det er noen i nærheten som kan hjelpe deg i et nødstilfelle.
- Før du demonterer apparatet må du frakoble alle kontakter og forsikre deg om at alle inn- og utganger er spenningsfrie.
- Ikke berør blanke ledninger med bare hender. Dette gjelder spesielt ved drift fra vekselstrømnettet.
- Frakoble apparatet fra strømmettet før du utfører følgende oppgaver:
 - Rengjøring og vedlikehold.
 - Bytt en sikring.
- Ikke løsne kabler mens apparatet fortsatt er i drift.
- Sikre at strømkabelen og støpselet er tørre før apparatet startes opp.

- For å kunne skille apparatet raskt fra nettet når det oppstår en fare, må stikkkontakten være i nærheten av apparatet og lett tilgjengelig.

Helsefare

- Dette apparatet kan brukes av barn fra 8 år og oppover og personer med reduserte fysiske, sensoriske eller mentale evner eller som mangler erfaring og kunnskap, hvis de er under oppsyn eller har fått veiledning i hvordan apparatet brukes på en forsvarlig måte og forstår hvilke farer det innebærer.
- Hold alltid apparatet utenfor barns rekkevidde.
- Barn skal være under tilsyn for å sikre at de ikke leker med apparatet.
- Rengjøring og vedlikehold skal ikke utføres av barn uten at de er under oppsyn.

Fare for personskader

- Legg ledningene slik at man ikke snubler i dem, og slik at man unngår å skade kabelen.

Eksplisjonsfare

- Ikke bruk apparatet under følgende forhold:
 - våte eller fuktige omgivelser
 - i nærheten av aggressive damper
 - i nærheten av brennbare materialer
 - fare for gass- eller støveksplisjon



MERK Fare for skader

- Utsett ikke apparatet for varmekilder (solstråling, oppvarming osv.). Unngå ekstra oppvarming av apparatet på denne måten.
- Sett apparatet på et tørt sted som er beskyttet mot vannsprut.
- Apparatet må ikke monteres i støvete omgivelser.
- Sørg for at monteringsflaten er i stand til å bære apparatets vekt.
- Bruk tomme rør eller ledningsgjennomføringer når ledninger må føres gjennom platevegger eller andre vegger med skarpe kanter.
- Legg ledningene slik at de ikke skades av dører eller motorpanser.
- Ikke legg 230 V nettleidninger og 12 V likestrømsledningen sammen i den samme ledningskanalen (tomrør).
- Ikke legg ledningene løst eller med skarpe bøyer.
- Fest kablene sikkert.
- Ikke trekk i kablene.
- Bruk alltid jordede stikkontakter og stikkontakter som er sikret med jordfeilbryter.

- Sørg for tilstrekkelig ledningstverrsnitt.
- Pass på at luftenåpningene på apparatet ikke tildekkes.
- Sikre god ventilasjon.

Leveringsomfang

Antall	Beskrivelse
1	Vekselretter med ren sinusbølge
1	Monterings- og bruksanvisning
2	1,2 m batterikabel med M8-kabelsko.
1	1,2 m strømkabel
1	5 m forlengelseskabel med Rj12-kontakter for fjernkontroll
1	Forlengelseskabeladapter

Tilbehør

Beskrivelse	SKU
Sikringsett 80 A (for MT600)	9620000210 (MT06080)
Sikringsett 175 A (for MT1200)	9620000217 (MT06175)
Sikringsett 250 A (for MT1700)	9620000166 (MT06250)
5 m forlengelseskabel med Rj12-kontakter for fjernkontroll	9620000171 (MT02005)

Målgruppe



Den elektriske installasjonen og oppsettet av apparatet må utføres av en kvalifisert elektriker som har vist ferdigheter og kunnskaper relatert til konstruksjon og drift av elektrisk utstyr og installasjoner, og som er kjent med gjeldende forskrifter i det landet hvor utstyret skal installeres og/eller brukes, og har mottatt sikkerhetsopplæring for å kunne identifisere og unngå farene som er forbundet med arbeidet.

Alle andre handlinger er også ment for ikke-profesjonelle brukere.

Forskriftsmessig bruk

Apparatet er ment for å forsyne tilkoblede kontakter med 230 V til.

Apparatet er ment for innendørs bruk.

Dette produktet er kun egnet for det tiltenkte formålet og anvendelsen i samsvar med disse instruksjonene.

Denne håndboken gir informasjon som er nødvendig for en ordentlig installasjon og/eller drift av produktet. Dårlig installasjon og/eller upassende drift eller vedlikehold vil resultere i en utilfredsstillende ytelse og en mulig svikt.

Produsenten påtar seg intet ansvar for personskader eller materielle skader på produktet som følger av:

- Ikke korrekt montering eller tilkobling, inkludert for høy spenning
- Ikke korrekt vedlikehold eller bruk av reservedeler foruten de originale reservedelene som leveres av produsenten
- Endringer på produktet uten at det er gitt uttrykkelig godkjenning av produsenten
- Bruk til andre formål enn det som er beskrevet i denne håndboken

Dometic forbeholder seg rettigheten til å endre produktet ytre og produktspesifikasjoner.

Teknisk beskrivelse

Apparatet er en vekselretter fra likestrøm til vekselstrøm som produserer ren sinusbølge, spesielt egnet for apparater med høy startstrøm (f.eks. kompressorer i klimaanlegg).

I tillegg har apparatet egenskaper som:

- Integrert mikroprosessorstyrt koblingsteknologi
- Kvartsstabilisert vekselstrømutgang
- Integrert strømnettprioritet (kun modeller merket -N)
- Elektrisk og termisk overbelastningsvern
- Konfigurerbare utkoblingsgrenser ved lavspenning

- Overspenningsvern
- Vifte kontrollert av temperatur og inngangsstrøm
- Strømsparefunksjon med konfigurerbare grenser for lastdetektering og forsinkelse for automatisk utkobling
- Roterbart display som kan benyttes som fjernkontroll

Installere apparatet

Monteringsveiledning

- Apparatet kan monteres i enhver posisjon.
- For korrekt kjøling må det være minst 200 mm ledig plass på alle sider av enheten (fig. **5**, side 5).
- Fjernkontrollen bør installeres på et tilgjengelig sted.

Montere apparatet



PASS PÅ! Fare for skader

Før du borer noe som helst, må du forsikre deg om at ingen elektriske kabler eller andre deler på kjøretøyet kan skades av boring, saging og filing.

1. Marker og bor 4 hull på monteringsoverflaten (fig. **6**, side 5).
2. Fest apparatet sikkert (fig. **6**, side 5).

Montering av displayet



PASS PÅ! Fare for skader

Før du borer noe som helst, må du forsikre deg om at ingen elektriske kabler eller andre deler på kjøretøyet kan skades av boring, saging og filing.

Displayet kan tas av og installeres på nytt i alle slags posisjoner på apparatet. For å skifte displayets posisjon, utføres følgende trinn:

1. Fjern displayet ved å løsne skruene (fig. **2**, side 3, **1**).
2. Posisjoner displayet på nytt (fig. **2**, side 3).
3. Trekk til skruene (fig. **2**, side 3, **1**).

Displayet kan også benyttes som fjernkontroll. For å installere displayet et annet sted, gjennomføres følgende trinn:

1. Fjern displayet ved å løsne skruene (fig. **2**, side 3, **1**).
2. Koble fra kabelen mellom displayet og apparatet (fig. **3**, side 4, **3**).
3. Skjær ut monteringsoverflaten og bor 2 hull (fig. **4**, side 4).
4. Koble displayet til apparatet ved hjelp av forlengelseskabelen.
5. Installer displayet med egnede festeinnretninger (fig. **2**, side 3, **1**).

Koble til apparatet

1. Legg alle nødvendige ledninger.
2. Planlegg distribusjonen og sikringsbeskyttelsen av kretsene nøye. Batterisikringen bør installeres så nær batteriet som mulig. Foreslått avstand er innenfor 150 mm.
3. Jordkontakten på apparatet må kobles til jord. Benytt en kabel med tverrsnitt på 4 mm².
4. Forsikre deg om at alle ledninger er korrekt innsatt og tilkoblet.
5. Sikre alle ledninger med strekkavlastningsklemmer.
6. Koble til apparatet som vist (fig. **1**, side 3).



PASS PÅ! Fare for skader

Batterikablene må ikke kobles til batteriet med feil polaritet, det kan føre til skader på apparatet.

fig. 1 , side 3	Beskrivelse	
1	Sikring	10 A, autoreset
2	Jordtilkobling	M5
3	Linktilkobling	N/PE
4	Utgangskontakt	230 V likestrøm (AC)
5	Inngangskontakt	Ekstern strømnett

fig. 1 , side 3	Beskrivelse	
6	Svart kabel (-)	M8-kabelsko
7	Oransje kabel (+)	M8-kabelsko
8	Batteri	

7. Forsikre deg om at alle fester er trukket godt til og at tilkoblingene sitter godt fast, inkludert sikringstilkoblingene.

Tilkobling av nøytralleder til jord



ADVARSEL! Fare for elektrisk støt

Installasjonen må kun utføres av en kvalifisert elektriker.

I brukstilfeller der vekselretteren skal forsyne flere stikkontakter, må det benyttes en beskyttelsesinnretning (fig. **9**, side 7). I dette tilfellet må nøytrallederen (N) kobles til jord (PE).

1. Avisoler begge ender på en ledning 4 mm² tverrsnitt (fig. **10**, side 7, **1**).
2. Bruk en skrutrekker til å løsne låsetappen.
3. Sett kabelen inn i linktilkoblingen (fig. **10**, side 7, **2**).
4. Bruk en skrutrekker til feste låsetappen.

Bruk av apparatet

Display

fig. 2 , side 3	Beskrivelse	
2	På / Av-knapp	
3	LED-lampe vekselretter	
4	LED-lampe automatisk modus	
5	LED-lampe ledning	
6	LED-lampe < 50 %	Lastindikator

fig. 2,
side 3

Beskrivelse

7	LED-lampe < 100 %	Lastindikator
8	LED-lampe overbelastning	Overbelastningsindikator

Nettprioritetsomkobling

Omkoblingen mellom vekselretteren og strømmettet skjer automatisk. Nettspenningen har prioritet. Hvis det foreligger nettspenning på inngangskontakten (fig. 1, side 3, 5), kobler apparatet over til det eksterne strømmettet og forsyner utgangskontakten med spenning (fig. 1, side 3, 4). Vekselretteren slås automatisk helt av, og trekker ikke strøm fra batteriet. Denne tilstanden indikeres med LED-lampen *LINE* (fig. 2, side 3, 5).

Så lenge det foreligger nettspenning, kan ikke vekselretteren slås på igjen. Hvis det ikke foreligger noen ekstern spenningsforsyning, fungerer apparatet som en ren vekselretter.

Forsyning av forbrukere direkte fra vekselretteren

Alle apparater har en strømutgang for direkte tilkobling av 230 V vekselstrømforbrukere (fig. 7, side 6).

Forsyning av flere stikkontakter fra vekselretteren



ADVARSEL! Fare for elektrisk støt

Installasjonen må kun utføres av en kvalifisert elektriker.

Apparatet kan forsyne flere stikkontakter med 230 V vekselstrøm. Ved bruk av flere stikkontakter må det være installert en egnet beskyttelsesinnretning (fig. 8, side 6).

Når vekselretteren er koblet til batteriet, er apparatet klart til drift.

► Trykk kort på knappen *ON/OFF* på displayet for å slå på vekselretteren (fig. 2, side 3, 2).

LED-lampen *INVERTER* (fig. 2, side 3, 3) viser at apparatet er driftsklart. Etter en selvtest av hele systemet lyder to–tre korte og ett langt lydsignal. Vekselretteren er så klar til bruk.

Automatisk modus

Vekselretteren starter i automatisk modus.

Modusen indikeres av LED-lampene *INVERTER* (fig. 2, side 3, 3) og *AUTOMATIC* (fig. 2, side 3, 4) på displayet. Den automatiske modusen bidrar til å spare batteristrøm for større forbrukere. Store forbrukere slås ofte på i kort tid eller med regelmessige mellomrom, mens vekselretteren lader batteriet kontinuerlig.

Når vekselretteren er slått på, sjekker den all tilkoblet last kontinuerlig. Så lenge det tilkoblede apparatet er slått på, forsyner vekselretteren det med den påkrevde strømmen. Når det tilkoblede apparatet slås av, registrerer vekselretteren denne tilstanden og kobler automatisk om til standby-modus etter kort tid. Dette indikeres av at LED-lampen *AUTOMATIC* på displayet blinker (fig. 2, side 3, 4). Vekselretteren sjekker nå hvert sekund om en last er koblet til utgangen. Hvis den ikke registrerer noen forbruker i standby-modus innenfor det forhåndsinnstilte intervallet, slår den seg helt av og kan bare startes igjen med knappen *ON/OFF* (fig. 2, side 3, 2).

Standby-driften kan tilpasses etter individuelle behov ved å stille inn grensen for standby-last og varigheten av standby-registreringen.

Gå frem på følgende måte for å tilpasse standby-kriteriene:

1. Fjern displayet ved å løsne skruene (fig. 2, side 3, 1).
2. Tilpass lastgrensen med DIP-bryter 1 (fig. 3, side 4, 4).
3. Tilpass registreringstiden med DIP-bryter 2 (fig. 3, side 4, 4).

Permanent drift (uten standby-funksjon)

For å drive vekselretteren med strømforbrukere med svært lavt strømopptak, som batteriladere og radioer, må standby-funksjonen deaktiveres. Selv om det tilkoblede apparatet slås av, fortsetter vekselretteren driften og lader batteriet kontinuerlig med ca. 6–10 W.

Alle vekselrettere kan startes med deaktivert standby-funksjon.

- For å slå på vekselretteren med deaktivert standby-funksjon, trykk på knappen **ON/OFF** på displayet i 3 sekunder (fig. **2**, side 3, **2**).

Denne driftsmodusen indikeres av at LED-lampen **INVERTER** (fig. **2**, side 3, **4**) på displayet lyser kontinuerlig. LED-lampen **AUTOMATIC** (fig. **2**, side 3, **4**) slukker.

Gå frem på følgende måte for å deaktivere standby-funksjonen:

1. Fjern displayet ved å løsne skruene (fig. **2**, side 3, **1**).
2. Sett DIP-bryter 3 (fig. **3**, side 4, **4**) i stillingen **OFF**.

Feilretting

Status	LED-lampe overbelastning	LED-lampe < 100 %	LED-lampe < 50 %	LED-lampe vekselretter	Akustisk signal
Utgangsfeil	Blinker	Blinker	Blinker	Av/blinker ¹	3 sekunder pipelyd/pause
Kortslutning på utgang	Blinker	Blinker	Av	Av/blinker ¹	2 korte pipelyd / 1 lang pipelyd / pause
Overload	Blinker	Av	Av	Av/blinker ¹	6x/pause
For høy temperatur	Blinker	På	Av	Av/blinker ¹	8x/pause
Underspenning	Av	Av	Av	Av/blinker ¹	4x/pause
Overspenning	Av	Av	Av	Av/blinker ¹	2x/pause
Intern feil	Av	Av	Av	Blinker	Kontinuerlig

Permanent modus

I permanent driftsmodus starter vekselretteren automatisk så snart den kobles til et batteri. Vekselretteren slås bare av når eksterne 230 V-nettspenning foreligger. Når den eksterne nettspenningen fjernes, starter vekselretteren opp uavhengig drift igjen. I denne modusen er funksjonen til knappen **ON/OFF** (fig. **2**, side 3, **2**) på displayet deaktivert. Gå frem på følgende måte for å aktivere permanent modus:

1. Fjern displayet ved å løsne skruene (fig. **2**, side 3, **1**).
2. Sett DIP-bryter 4 (fig. **3**, side 4, **4**) i stillingen **ALWAYS ON**.

Rengjøring og vedlikehold



ADVARSEL! Fare for elektrisk støt

Koble alltid fra nettpluggen før du foretar rengjøring og service på enheten.



PASS PÅ! Fare for skader

Apparatet må aldri rengjøres under rennende vann eller i en oppvaskmaskin. Ikke bruk sterke vaskemidler eller harde gjenstander til rengjøring, da det kan skade kjøleboksen.

- Rengjør produktet regelmessig med trykkluft.

¹Avhengig av varighet og temperatur.

Vekselretteren har stanset driften av en av de ovennevnte årsakene, og kan startes på nytt manuelt.

► For å starte vekselretteren igjen manuelt, slå av apparatbryteren eller trykk på knappen **ON/OFF** på displayet (fig. **2**, side 3, **2**).

Hvis en parameter fortsatt befinner seg over eller under grenseverdiene etter en ny oppstart, forhindres oppstarten, og en tilsvarende LED-lampe og et lydsignal varsler om feilen.



PASS PÅ! Fare for skader

Ved overtemperatur: Vent i 5–10 minutter for å kjøle ned apparatet før en ny oppstart.



PASS PÅ! Fare for skader

Ved overbelastning: Slå av lasten og reduser de tilkoblede forbrukerne. Unngå ytterligere oppstarter med overbelastning.

- Årsak til reklamasjonen eller beskrivelse av feilen
- Vær oppmerksom på at reparasjoner som utføres selv, eller som ikke utføres på en profesjonell måte, kan gå ut over sikkerheten og føre til at garantien blir ugyldig.

Avfallshåndtering

Resirkulering av produkter med ikke-erstattbare batterier, oppladbare batterier eller lyskilder



► Hvis produkter inneholder ikke-erstattbare batterier, oppladbare batterier eller lyskilder, trenger du ikke fjerne dem før avhending.



► Hvis du ønsker å avfallsbehandle produktet, må du rådføre deg med nærmeste gjenvinningsstasjon eller din faghandler om hvordan du kan gjøre dette i overensstemmelse med gjeldende deponeringsforskrifter.

- Produktet kan avhendes gratis.

Garanti

Lovmessig garantitid gjelder. Hvis produktet er defekt, ta kontakt med forhandleren eller produsentens filial i landet (se dometic.com/dealer).

Ved henvendelser vedrørende reparasjon eller garanti, må du sende med følgende dokumentasjon:

- Kopi av kvitteringen med kjøpsdato


Resirkulering av emballasje



► Lever emballasje til resirkulering så langt det er mulig.

Tekniske spesifikasjoner

	MT 600 SI-N	MT 1200 SI/SI-N	MT 1700 SI/SI-N
Nominell inngangsspenning	12 V ===		
Inngangsspenningsområde	10,5–15 V ===		
Minimum batterikapasitet (avhengig av forbrukeren)	> 80 Ah	> 110 Ah	> 150 Ah
Batterikabler (lengde 1,2 m)	2 × 10 mm ²	2 × 25 mm ²	2 × 35 mm ²
Anbefalt batterisikring	80 A	175 A	250 A
Utgangsspenning	230 V ~		
Utgangsfrekvens	50 Hz		
Kontinuerlig effekt (ved 30°C)	600 W	1200 W	1700 W
Kortvarig effekt	840 W	1400 W	2100 W
Toppeffekt	1200 W	2000 W	3000 W
Likestrømforbruk ved nominell effekt	56 A	115 A	165 A

	MT 600 SI-N	MT 1200 SI/SI-N	MT 1700 SI/SI-N
Maksimalt likestrømforbruk ved overbelastning	90 A	140 A	200 A
Forbrukeres effektfaktor	Alt er tillatt.		
Maksimal batterispenning	16,0 V		
Minimum batterispenning (lastavhengig, dynamisk)	10,5 V	10,7 V	10,7 V
Passivt strømforbruk (uten belastning)	6 W	8 W	10 W
Standby-strømforbruk ca. (uten belastning)	5 W	3 W	5 W
Utkoblingskriterier for standby	< 15 W / 60 W	< 25 W / 60 W	< 25 W / 60 W
Standby-aktiveringstid	30 sekunder		
Standby-varighet	5/10 minutter		
Beskyttelse	Overbelastning, overtemperatur.		
Kjøling	Trinnløs temperaturstyrt vifte.		
Lastkapasitet automatisk nettspenningsomkobling (-kun N modeller)	2300 W		
Beskyttelsesklasse/IP-merking	I/II, IP21	II, IP21	II, IP21
Vekt	3750 g	6000 g	7600 g
Mål (L × H × B), i mm	335 × 270 × 72	400 × 300 × 70	460 × 300 × 70
Maksimal luftfuktighet	95 %, ikke-kondenserende		
Sertifisering			



dometic.com

**YOUR LOCAL
DEALER**

dometic.com/dealer

**YOUR LOCAL
SUPPORT**

dometic.com/contact

**YOUR LOCAL
SALES OFFICE**

dometic.com/sales-offices

A complete list of Dometic companies, which comprise the Dometic Group, can be found in the public filings of:
DOMETIC GROUP AB Hemvärnsgatan 15 SE-17154 Solna Sweden