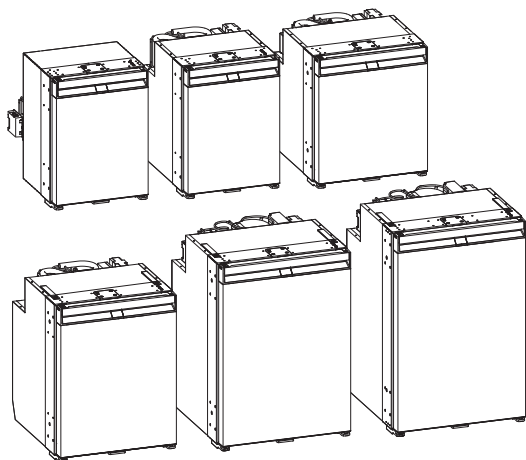


↗ DOMETIC

REFRIGERATION

NRX



NRX0050,0060,0080 (T), NRX0035,0050,0060,0080,0115,0130 (E/C),
NRX1035,1050,1060,1080,1115,1130 (S)

EN **Compressor refrigerator**
Operating Manual.....3

FR **Réfrigérateur à compresseur**
Manuel d'utilisation.....30

ES **Nevera de compresor**
Instrucciones de uso..... 58

PT **Frigorífico com compressor**
Manual de instruções..... 86

Copyright

© 2025 Dometic Group. The visual appearance of the contents of this manual is protected by copyright and design law. The underlying technical design and the products contained herein may be protected by design, patent or pending patent. The trademarks mentioned in this manual belong to Dometic Sweden AB. All rights are reserved.

English

1	Important notes.....	3
2	Explanation of symbols.....	3
3	Safety instructions.....	4
4	Scope of delivery.....	6
5	Accessories.....	6
6	Intended use.....	7
7	Technical description.....	8
8	Operation.....	11
9	Cleaning and maintenance.....	19
10	Troubleshooting.....	22
11	Warranty.....	25
12	Disposal.....	26
13	Technical data.....	26
14	Legal.....	29

1 Important notes

Please read these instructions carefully and follow all instructions, guidelines, and warnings included in this product manual in order to ensure that you install, use, and maintain the product properly at all times. These instructions **MUST** stay with this product.

By using the product, you hereby confirm that you have read all instructions, guidelines, and warnings carefully and that you understand and agree to abide by the terms and conditions as set forth herein. You agree to use this product only for the intended purpose and application and in accordance with the instructions, guidelines, and warnings as set forth in this product manual as well as in accordance with all applicable laws and regulations. A failure to read and follow the instructions and warnings set forth herein may result in an injury to yourself and others, damage to your product or damage to other property in the vicinity. This product manual, including the instructions, guidelines, and warnings, and related documentation, may be subject to changes and updates. For up-to-date product information, please visit documents.dometic.com.

2 Explanation of symbols

A signal word will identify safety messages and property damage messages, and also will indicate the degree or level of hazard seriousness.



WARNING!

Indicates a hazardous situation that, if not avoided, could result in death or serious injury.



CAUTION!

Indicates a hazardous situation that, if not avoided, could result in minor or moderate injury.



NOTICE!

Indicates a situation that, if not avoided, can result in property damage.



NOTE Supplementary information for operating the product.

3 Safety instructions

General safety



WARNING! Electrocuting hazard

- > Installation and removal of the refrigerator may only be carried out by qualified personnel.
- > Installation in washrooms and areas exposed to water must be performed by a qualified technician.
- > If installing the refrigerator under a canopy or similar environment, ensure that the refrigerator is protected from rain and splashing water.
- > Do not operate the refrigerator if it is visibly damaged.
- > This refrigerator may only be repaired by qualified personnel. Improper repairs can result in considerable danger or damage to the refrigerator.
- > If the power cable for this refrigerator is damaged, it must be replaced by the manufacturer, customer service or a similarly qualified person in order to prevent safety hazards.
- > When positioning the refrigerator, ensure the supply cord is not trapped or damaged.
- > Do not locate multiple portable socket-outlets or portable power supplies at the rear of the refrigerator.
- > Do not touch exposed cables with your bare hands.
- > Plug the device to sockets that ensure proper connection especially when the device needs to be grounded.
- > If the device is powered by the mains, ensure that the power supply has a residual current circuit breaker (RCCB) or a ground fault circuit interrupter (GFCI). The installation must be carried out in accordance with all applicable regulations, especially in potentially damp areas.



WARNING! Fire hazard

- > The refrigeration circuit contains a small quantity of an environmentally friendly refrigerant. It does not damage the ozone layer and does not increase the greenhouse effect. Any leaking refrigerant may ignite.
- > Do not use or store the refrigerator in confined spaces with none or minimal air flow.
- > Keep the installation recess for the refrigerator free of any electrical components and light sources which during normal or abnormal operation produce sparks or arcs (i.e., relays or fuse boxes).
- > The insulation of the refrigerator contains flammable cyclopentane and requires special disposal procedures. Deliver the refrigerator at the end of its life-cycle to an appropriate recycling center.



WARNING! Explosion hazard

Do not store any explosive substances, such as aerosol cans with propellants, in the refrigerator.



WARNING! Health hazard

- > This refrigerator is not intended for use by persons (including children) with reduced physical, sensory or mental capabilities, or lack of experience and knowledge, unless they have been given supervision or instruction concerning use of the refrigerator by a person responsible for their safety.
- > Children aged from 3 to 8 years are allowed to load and unload the refrigerator.
- > Cleaning and user maintenance shall not be made by children without supervision.
- > Children must be supervised to ensure that they do not play with the refrigerator.



WARNING! Risk of child entrapment

- > Ensure that the shelves are mounted and secured so that children cannot lock themselves in the refrigerator.
- > Before disposing of your old refrigerator:
 - Dismantle the drawers.

- Leave the shelves in the refrigerator so that children cannot climb inside.
- > Take off the doors.



CAUTION! Health hazard

- > To avoid a hazard due to instability of the refrigerator, it must be fixed in accordance with the installation instructions.
- > Keep ventilation openings, on the refrigerator and in its enclosure or in the built-in structure, clear of obstruction.
- > Do not use mechanical devices or other means to accelerate the defrosting process, other than those recommended by the manufacturer.
- > Do not open or damage the refrigerant circuit under any circumstances.
- > Do not use electrical devices inside the refrigerator unless they are recommended by the manufacturer for that purpose.



CAUTION! Risk of injury

- > Do not use or store flammable materials in or near this refrigerator.
- > Do not place articles on or against this refrigerator.
- > Do not modify this refrigerator.



NOTICE! Damage hazard

- > Only select operation with DC power supply if the vehicle engine is running and providing sufficient voltage, or if you are using a battery monitor.
- > If present, keep the condensate drain clean at all times.
- > If the refrigerator has ventilation grilles, do not use a high-pressure cleaner near the ventilation grille when cleaning the vehicle.
- > The refrigerator shall not be exposed to rain.
- > Never pull the plug out of the socket by the connection cable.

Operating the refrigerator safely



DANGER! Electrocutation hazard

Before starting the refrigerator, ensure that the power supply line and the plug are dry.



CAUTION! Health hazard

- > Ensure to put only items in the refrigerator which may be chilled at the selected temperature.
- > Clean regularly surfaces that can come in contact with food and accessible drainage systems.
- > Store raw meat and fish in suitable containers in the refrigerator, so that it is not in contact with and cannot drip onto other food.
- > Opening the door for long periods can cause a significant increase of the temperature in the compartments of the refrigerator. If the refrigerator is left empty for long periods:
 - Switch off the refrigerator.
 - Defrost the refrigerator.
 - Clean and dry the refrigerator.
 - Leave the door open to prevent mold developing within the refrigerator. If available, put the refrigerator door and the freezer door into the winter position.



CAUTION! Risk of injury

- > Do not put your fingers into the hinge.

- > Close and latch the refrigerator door before beginning a journey.
- > The cooling system at the back of the refrigerator becomes very hot during operation. If the refrigerator is equipped with ventilation grilles, protect yourself from contact with hot parts when removing the ventilation grilles.
- > The device door or the freezer door can completely detach from the device if used incorrectly. Push the doors closed until you hear a clear click at the top and bottom.



NOTICE! Damage hazard

- > Do not lean on the open refrigerator door.
- > Store heavy objects such as bottles or cans only in the refrigerator door, in the vegetable compartment or on the bottom shelf.
- > If the refrigerator has a double-sided door and the door is not locked correctly on the opposite side, push on that side at the top and the bottom until it locks in place.
- > **Danger of overheating!** Always ensure sufficient ventilation so that the heat generated during operation can dissipate. Ensure that the refrigerator is sufficiently far away from walls and other objects so that the air can circulate.
- > Do not fill the interior with ice or fluid.
- > Protect the refrigerator and the cable against heat and moisture.
- > Never pull the plug out of the socket by the connection cable.



NOTE

- > If the battery management system of your vehicle shuts down the refrigerator to protect the battery, contact your vehicle manufacturer.
- > For ambient temperatures of 15 °C (59°F) ... 25 °C (77°F) select the average temperature setting.
- > If the door is not locked correctly on the opposite side, push on that side at the top and the bottom until it locks in place.
- > To avoid food waste, note the following:
 - Keep temperature fluctuation as low as possible. Only open the freezer as often and for as long as necessary. Store the foodstuff in such a way that the air can still circulate well.
 - Ensure to put only items in the refrigerator which may be chilled at the selected temperature.
 - Store the different foodstuff types as shown in the figures.
 - If the temperature can be adjusted: Adjust the temperature to the quantity and type of the foodstuff.
 - Foodstuff can easily absorb or release odor or taste. Always store foodstuff covered or in closed containers/bottles.

4 Scope of delivery

Quantity	Description
1	Compressor refrigerator
1	Drain elbow
1	Short operating manual
1	Operating manual (online only)
1	Installation manual

5 Accessories

Available as accessories (not included in the scope of delivery):

Description	Ref. no.
Sliding hinge	9620012939
Fastening frame including bottom frame <ul style="list-style-type: none"> <li data-bbox="90 248 792 280">• NRX0035, NRX1035, NRX0050, NRX1050 <li data-bbox="90 303 792 335">• NRX0060, NRX1060 <li data-bbox="90 357 792 389">• NRX0080, NRX1080 <li data-bbox="90 411 792 443">• NRX0115, NRX1115 <li data-bbox="90 466 792 497">• NRX0130, NRX1130 	9620012877 9620012881 9620012882 9620012878 9620012876
Fastening frame including bottom frame (black) <ul style="list-style-type: none"> <li data-bbox="90 549 792 580">• NRX0035, NRX1035, NRX0050, NRX1050 <li data-bbox="90 603 792 635">• NRX0060, NRX1060 <li data-bbox="90 657 792 689">• NRX0080, NRX1080 <li data-bbox="90 711 792 743">• NRX0115, NRX1115 <li data-bbox="90 766 792 798">• NRX0130, NRX1130 	9620012874 9620012875 9620012880 9620012879 9620012883
Shelf replacement for removed frozen compartment <ul style="list-style-type: none"> <li data-bbox="90 849 792 880">• NRX0035, NRX1035, NRX0050, NRX1050 <li data-bbox="90 903 792 935">• NRX0060, NRX1060 <li data-bbox="90 957 792 989">• NRX0080, NRX1080 <li data-bbox="90 1011 792 1043">• NRX0115, NRX1115, NRX0130, NRX1130 	9620012933 9620012938 9620012935 9620012932
Frozen compartment <ul style="list-style-type: none"> <li data-bbox="90 1098 792 1129">• NRX0035, NRX1035, NRX0050, NRX1050 <li data-bbox="90 1152 792 1184">• NRX0060, NRX1060 <li data-bbox="90 1206 792 1238">• NRX0080, NRX1080 <li data-bbox="90 1260 792 1292">• NRX0115, NRX1115, NRX0130, NRX1130 	9620012931 9620012936 9620012934 9620012937
AC/DC Adapter	9620013451

6 Intended use

The refrigerator is intended for:

- Installation in caravans, motor homes, boats, and trucks
- Cooling and storing food
- **NRX0035-0130(C), NRX0050-0080(T) and NRX1035-1130(S) only:** Storing prefrozen food
- Indoor use

This refrigerator is not intended for commercial, retail or household applications.

The refrigerator is **not** suitable for:

- Storing medications
- Storing corrosive substances or substances that contain solvents
- Quick-freezing food
- Outdoor use

When used on boats, the device shall be installed in a dayroom area and not open deck.

The frozen compartment is suitable for storing pre-frozen food, storing or making ice cream and making ice cubes. It is not suitable for freezing previously unfrozen food.

The refrigerator is intended for installation in a piece of cabinetry or an installation niche.

Optimum cooling performance is provided at ambient temperatures between 16 °C (60.8°F) ... 43 °C (109.4°F) and at a maximum humidity of 90 % .

This product is only suitable for the intended purpose and application in accordance with these instructions.

This manual provides information that is necessary for proper installation and/or operation of the product. Poor installation and/or improper operation or maintenance will result in unsatisfactory performance and a possible failure.

The manufacturer accepts no liability for any injury or damage to the product resulting from:

- Incorrect installation, assembly or connection, including excess voltage
- Incorrect maintenance or use of spare parts other than original spare parts provided by the manufacturer
- Alterations to the product without express permission from the manufacturer
- Use for purposes other than those described in this manual

Dometic reserves the right to change product appearance and product specifications.

7 Technical description

The refrigerator is a compressor refrigerator.

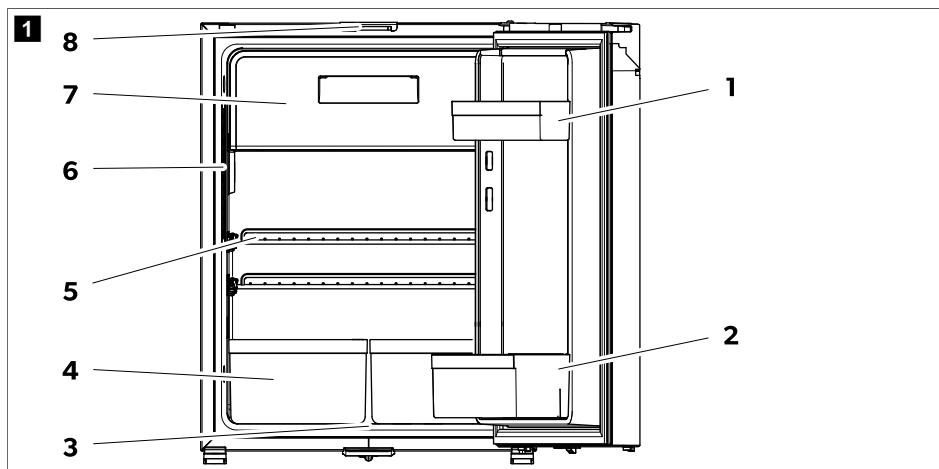
NRX1035-1130(S): The refrigerator is designed to operate with different types of power and can be run either on a DC or AC power supply.

NRX0035-0130(C), NRX0050-0080(T) and NRX1035-1130(S): The model is factory fitted with a frozen compartment, which can be removed and reinstalled.

The refrigerator door has a latching mechanism to protect it during transport.

All materials used in the refrigerator are compatible for use with foodstuffs.

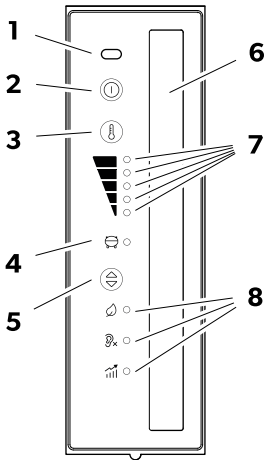
Description of the device



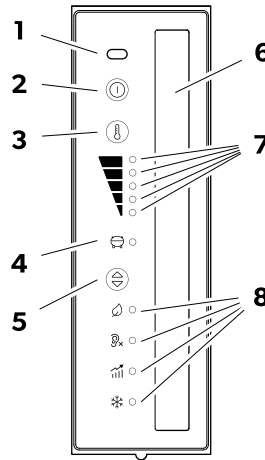
No.	Explanation
1	Door shelf (NRX0035-0130[C], NRX0050-0080[T], NRX1035-1130[S] and NRX0080-0130[E] only)
2	Bottle shelf
3	Condensate drain
4	Crisper (only NRX0035-0130[C], NRX0050-0080[T] and NRX1035-1130[S])
5	Cabinet shelf
6	Control panel with display
7	Frozen compartment (only NRX0035 - 0130[C], NRX0050 - 0080[T] and NRX1035-1130[S])
8	Door latch for ventilation

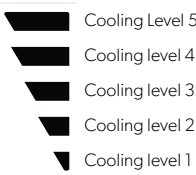
Control and display elements

NRX0035 – 0130 (E)



**NRX0050 – 0080 (T),
NRX0035 – 0130 (C),
NRX1035 – 1130 (S)**



No.	Explanation
1	IR door opening sensor
2	Ⓞ ON/OFF button
3	Ⓜ Cooling level setting button
4	Compressor and error indicator LED
5	Ⓢ Operation mode button
6	Interior lighting
7	Cooling level indicator LEDs 
8	Operation mode indicator LEDs

Compressor and error indicator LED





The compressor and error indicator LED displays the operating status of the compressor or indicates an error:

Color	Description
White	Compressor on

Color	Description
Orange	Compressor off
Orange (flashing)	Error (see chapter Error indication on page 25)

Operation mode indicator LEDs

The operation mode indicator LEDs display the following setting options:

Symbol	Description
	ECO mode: Operation with reduced energy -consumption. Cooling level 1 – 3
	QUIET mode: Operation with reduced noise level. Cooling level 1 – 4
	PERFORMANCE mode: Cooling level 1 – 5
	FREEZER mode (NRX0035–0130[C], NRX0050–0080[T] and NRX1035–1130[S] only): Operation with frozen compartment removed. Cools down the complete interior of the refrigerator to –6 °C (21.2°F).

8 Operation

8.1 Before first use

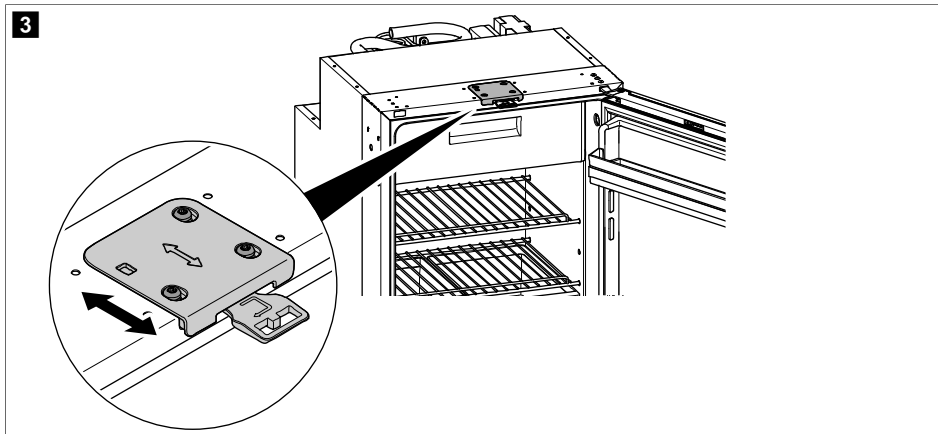


NOTE

- > Do not store goods in the refrigerator for the first 4 hours after start-up.
- > When using the refrigerator for the first time, there may be a mild odor which will disappear after a few hours. Air out the living space well.
- > The cooling capacity can be affected by:
 - The ambient temperature (e.g. when the vehicle is exposed to direct sunlight)
 - The amount of food to be refrigerated
 - How often the door is opened
- > Clean the inside of the refrigerator for hygienic reasons (see Cleaning and maintenance on page 19).
- > Park the vehicle so that it is level, especially when starting up and filling the refrigerator before setting off on a journey.

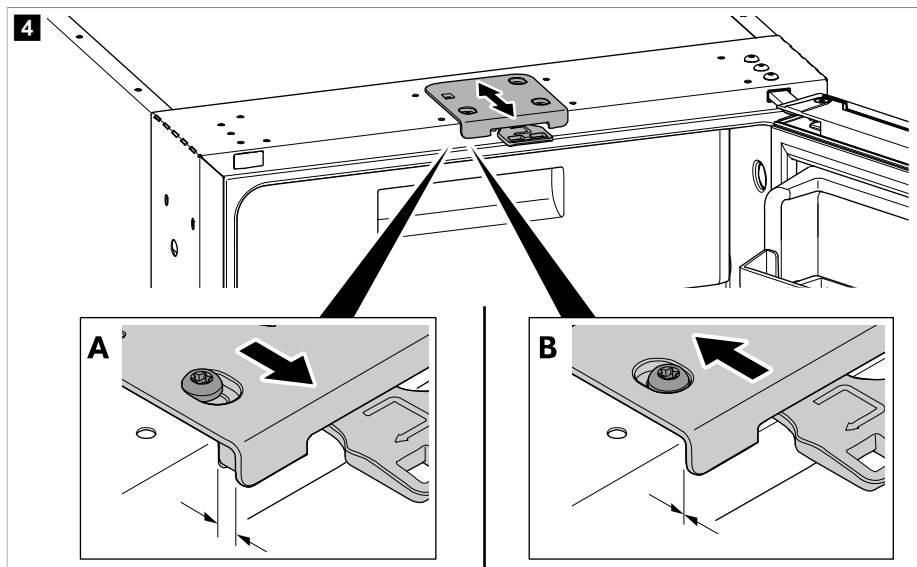
8.1.1 Adjusting the door latch

The door latch on the top of the refrigerator can be adjusted to regulate the closing width of the door.



i **NOTE** Check whether the adjustable door latch is installed. If necessary, order the adjustable door latch (dometic.com) and replace the fixed door latch with the adjustable door latch.

> The door latch is set to position **A** at the factory. Move the door latch to position **B**.



i **NOTE** If the door latch is in position **B**, ensure that the door latches properly when closing (see chapter Closing and securing the refrigerator door on page 14).

8.2 Information on storing food



CAUTION! Health hazard

If the refrigerator is exposed to an ambient temperature below 10 °C (50°F) for an extended period of time, regulation of the frozen compartment temperature can no longer be guaranteed. That may cause the temperature of the frozen compartment to increase and the stored goods to be defrosted.

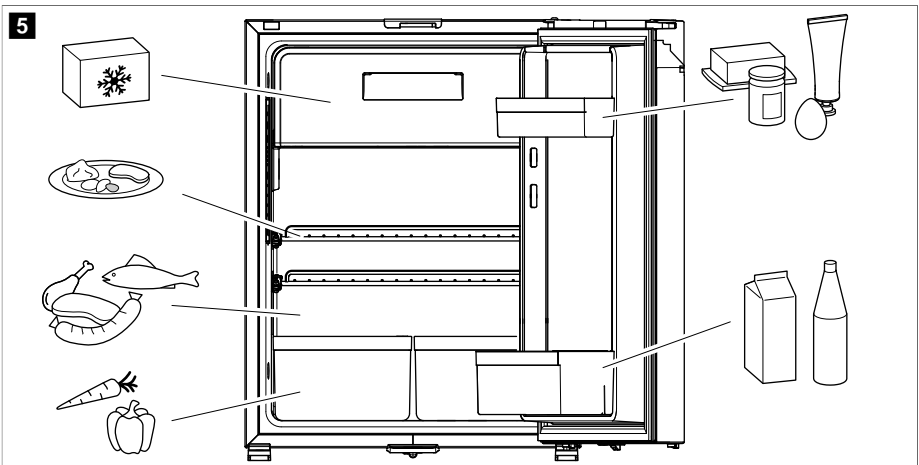


NOTICE! Damage hazard

- > Observe the maximum load per door shelf and door when filling the refrigerator (see Technical data on page 26).
- > Do not keep carbonated drinks in the frozen compartment.

To avoid food waste, note the following:

- Keep temperature fluctuation as low as possible. Only open the refrigerator as often and for as long as necessary. Store the foodstuff in such a way that the air can still circulate well.
 - Adjust the temperature to the quantity and type of the foodstuff.
 - Store the different foodstuff types as shown in the figures.
 - Foodstuff can easily absorb or release odor or taste. Always store foodstuff covered or in closed containers/bottles.
- > Store food as shown.



8.3 Saving energy

- Only open the refrigerator as often and for as long as necessary.
- Allow warm food to cool down first before placing it in the device to keep cool.
- Defrost your refrigerator as soon as a layer of ice forms.
- Avoid unnecessarily low temperature settings.
- For optimal energy consumption, position the shelves and drawers according to their position on delivery.
- On a regular basis, ensure the door seal still fits properly.
- Clean dust and dirt from the condenser at regular intervals.

8.4 Using the refrigerator door



CAUTION! Risk of injury

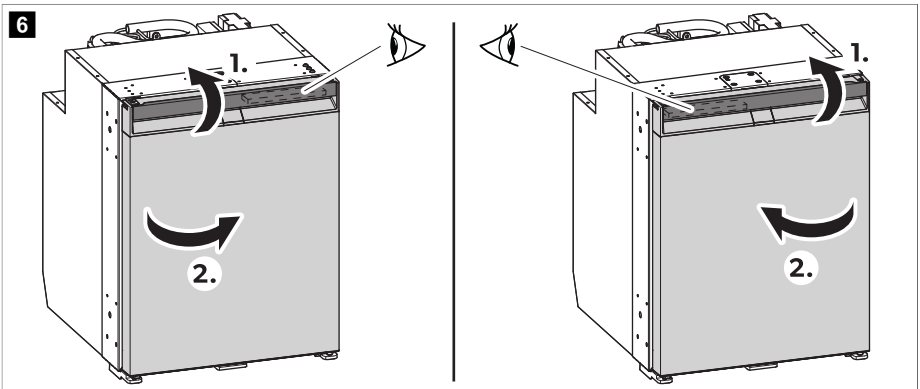
The refrigerator door and the frozen compartment door can completely detach from the device if used incorrectly.

8.4.1 Opening the refrigerator door



NOTE Ensure to pull the handle on the opposite side to the door stop. Note the respective position of the slider. Refer to the associated installation manual.

> To open the refrigerator door proceed as shown.



8.4.2 Closing and securing the refrigerator door



CAUTION! Risk of injury

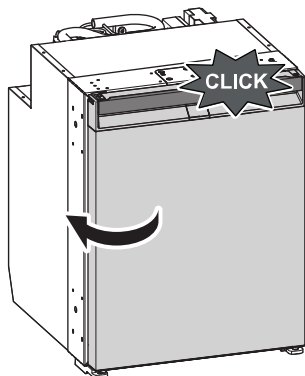
If the door is not secured correctly, carefully push on the top and bottom of the door until it is secured in place.



NOTE The refrigerator door has a latching mechanism which is also used to protect it during transport.

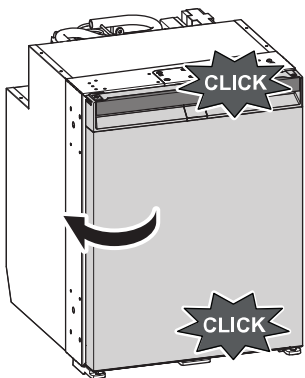
- > NRX0035–0130(E): Press the door shut until you clearly hear it click at the top.

7 NRX0035 – 0130 (E)



- > NRX0035–0130(C), NRX0050–0080(T) and NRX1035–1130(S) : Press the door shut until you clearly hear it click at the top and bottom.

8 NRX0050 – 0080 (T), NRX0035 – 0130 (C), NRX1035 – 1130 (S)




- ✓ The door is now closed and secured.

8.5 Switching on and off



NOTE Always switch off the refrigerator if it will not be used for a prolonged period of time.

- > To switch on, press and hold the  button once for at least 2 s .
- ✓ The refrigerator switches on with the last selected cooling level setting and operation mode.

- > To switch off, press and hold the  button for at least 2 s.

8.6 Setting the operation modes



NOTE When using the ECO, PERFORMANCE or FREEZER mode the system stays in this mode until further changes.

- > To set the operation mode, press the  button repeatedly until the operation mode indicator LED for the desired operation mode lights up.

The following operation modes are available:

Using the ECO mode

With the ECO mode activated the refrigerator operates with reduced energy consumption at cooling levels 1 – 3.

- ✓ The operation mode indicator LED for the ECO mode () and the selected cooling level indicator LED light up.

Using the QUIET mode

With the QUIET mode activated the refrigerator operates with reduced noise level at cooling levels 1 – 4.



NOTE

- > The QUIET mode is not available if the refrigerator is running in FREEZER mode.
- > When using the QUIET mode the refrigerator will stay in this mode for 8 h and then return to the previously selected mode (ECO or PERFORMANCE mode).

- ✓ The operation mode indicator LED for the QUIET mode () and the selected cooling level indicator LED light up.

Using the PERFORMANCE mode

With the PERFORMANCE mode activated the refrigerator operates in standard mode at cooling levels 1 – 5.


- ✓ The operation mode indicator LED for the PERFORMANCE mode () and the selected cooling level indicator LED light up.

Using the FREEZER mode

With the FREEZER mode activated the complete interior of the refrigerator is cooled to -6°C (21.2°F).



NOTE Remove the frozen compartment to use the FREEZER mode.

- ✓ The operation mode indicator LED for the FREEZER mode () and all cooling level indicator LEDs light up continuously.

8.7 Setting the cooling level

- > To set the cooling level, press the  button repeatedly until the desired cooling level is reached.

8.8 Repositioning the shelves



WARNING! Risk of child entrapment

NRX0060–0130 and NRX1060–1130: All shelves are fixed in place to prevent children from climbing into the refrigerator.

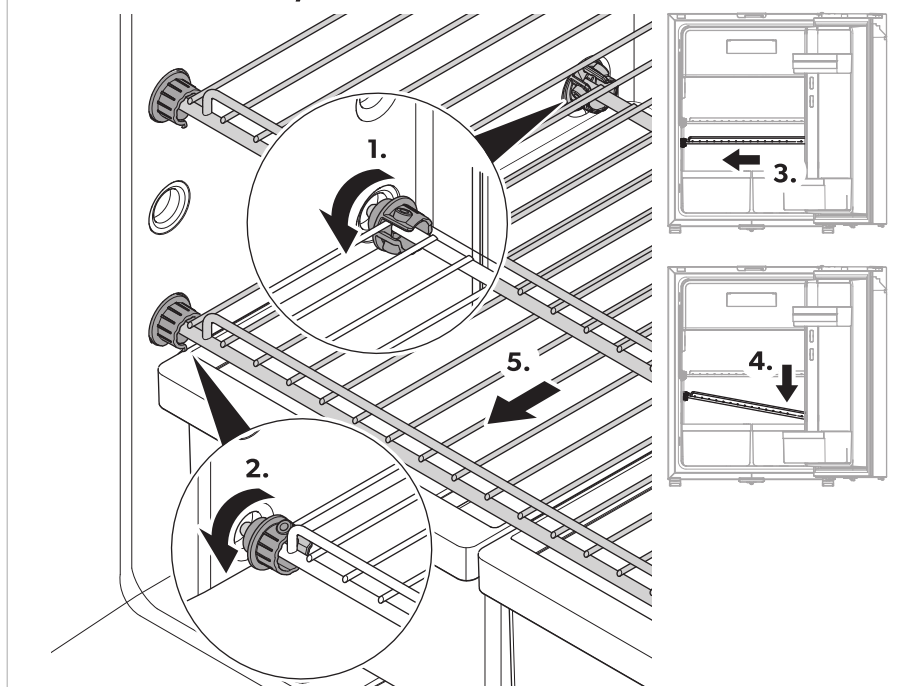
- > Only remove the shelves for cleaning purposes.
- > Refit the shelves and secure them in place.



NOTE Remove the frozen compartment before repositioning the shelves for easier access to the rear shelf knobs.

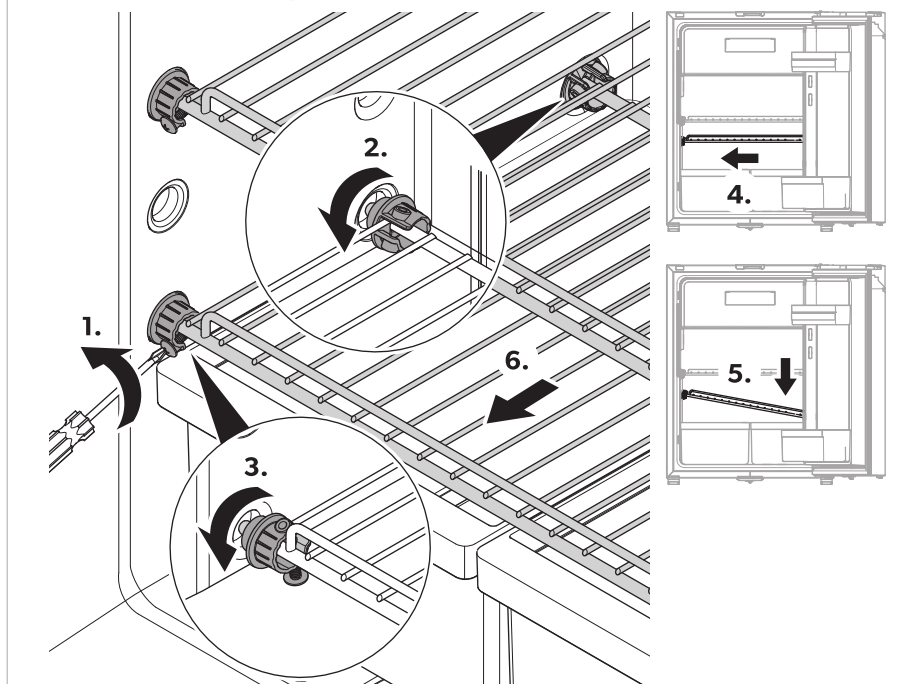
- > **NRX0035-0050:** To reposition the shelves as desired proceed as shown.

9 NRX0035 – 0050, NRX1035 – 1050



- > **NRX0035-0050:** To reposition the shelves as desired proceed as shown.

10 NRX0060 – 0130, NRX1060 – 1130



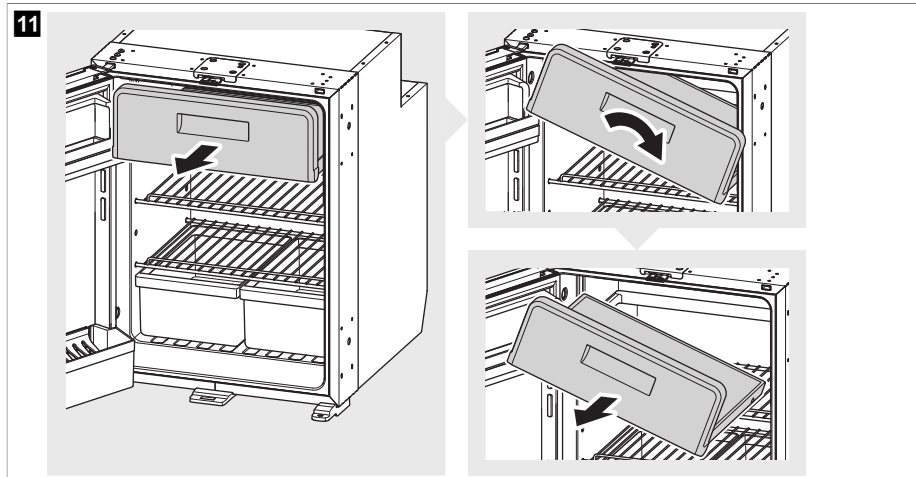
8.9 Removing the frozen compartment



NOTICE! Damage hazard

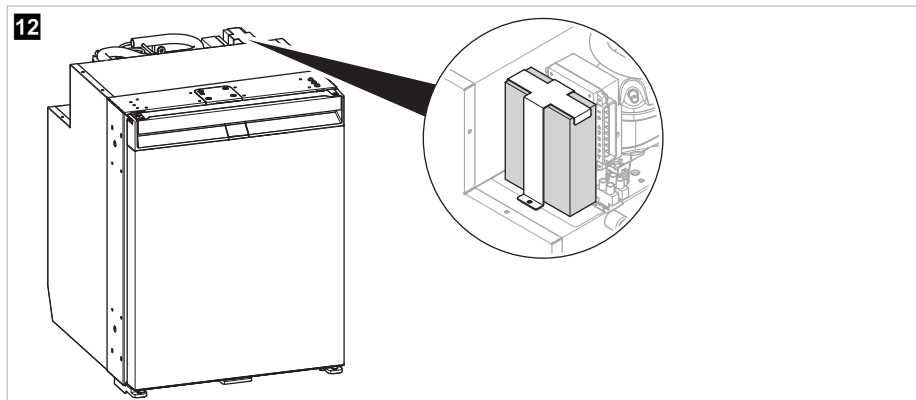
- > Close the frozen compartment door to remove the frozen compartment.
- > Grasp the frozen compartment by the bottom. Do not pull on the frozen compartment door.
- > Store the frozen compartment in a dry and safe place.

- > To remove the frozen compartment proceed as shown.



8.10 Installing the AC/DC adapter

- > To install the AC/DC adapter (accessories) proceed as shown.



9 Cleaning and maintenance



WARNING! Electrocuting hazard

Always disconnect the refrigerator from the energy supply before cleaning and maintenance.



NOTICE! Damage hazard

- > Do not use abrasive cleaning agents or hard objects during cleaning.
- > Never use hard or sharp tools to remove ice or to free frozen objects.
- > Ensure that no water drips into the seals. This can damage the electronics.



NOTICE! Damage hazard

The light source can only be replaced by the manufacturer, a service agent or similarly qualified person to avoid hazard.

- > Clean the interior and exterior of the refrigerator regularly with a damp cloth and as soon as it becomes dirty. Wipe the refrigerator dry with a cloth after cleaning.
- > Check the condensate drain regularly.
Clean the condensate drain when necessary. If it is blocked, the condensate collects on the bottom of the refrigerator.
- > Clean dust and dirt from the condenser regularly with a damp cloth.

Refrigerant circuit

The refrigerant circuit is maintenance-free.

Defrosting the refrigerator



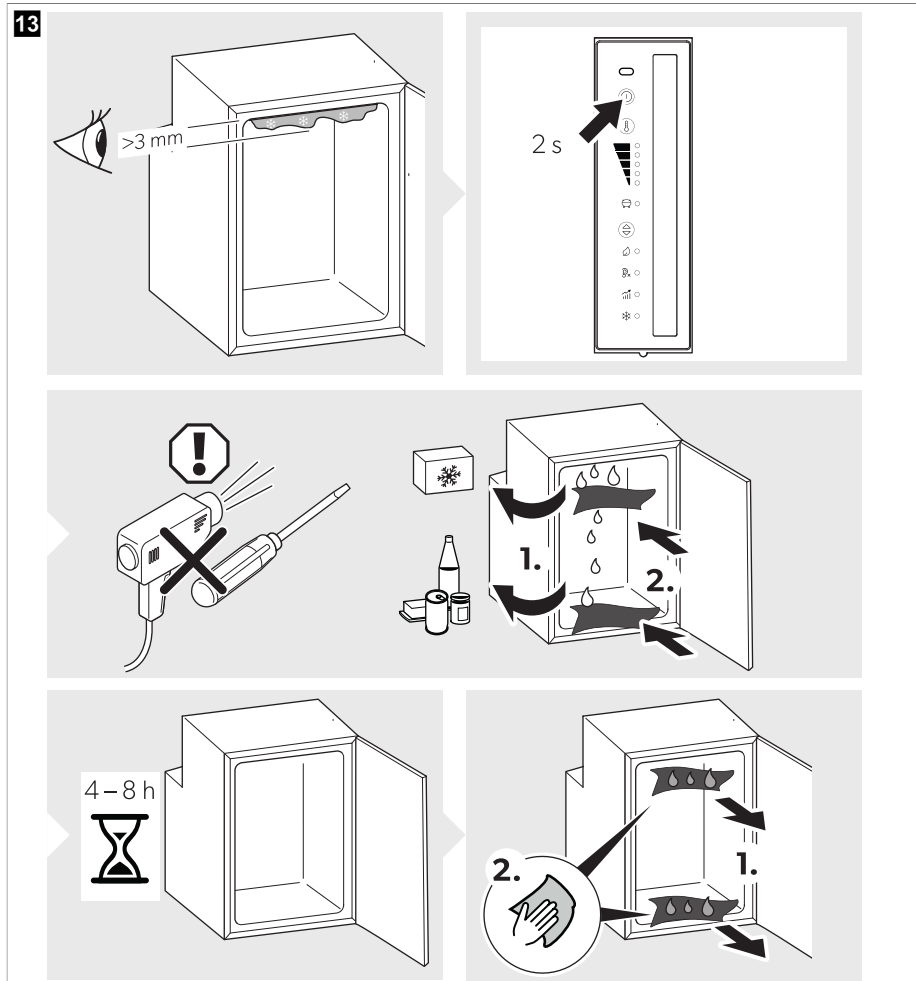
NOTICE! Damage hazard

Do not use any mechanical tools or any other tools to speed up the defrosting process.



NOTE Over time, frost builds up on the back wall inside the refrigerator. If this layer of frost is about 3 mm (0.1 in) thick, defrost the refrigerator.

> To defrost the refrigerator proceed as shown.



Positioning the refrigerator door into storage position



CAUTION! Risk of injury

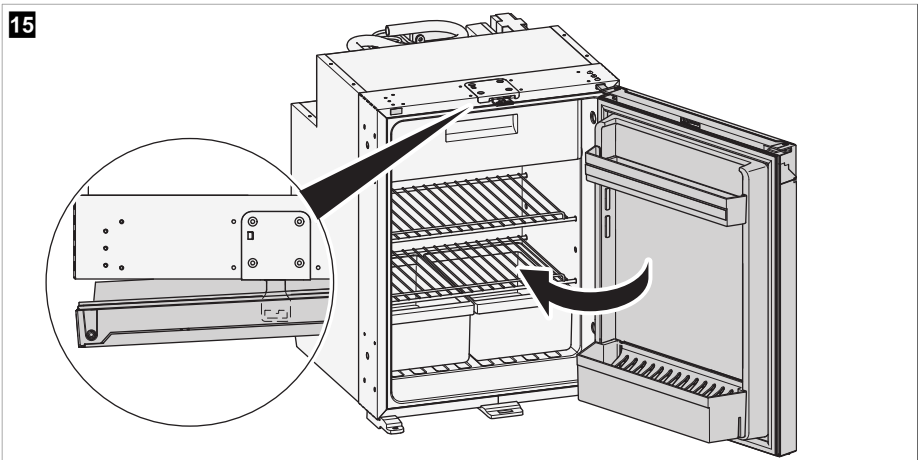
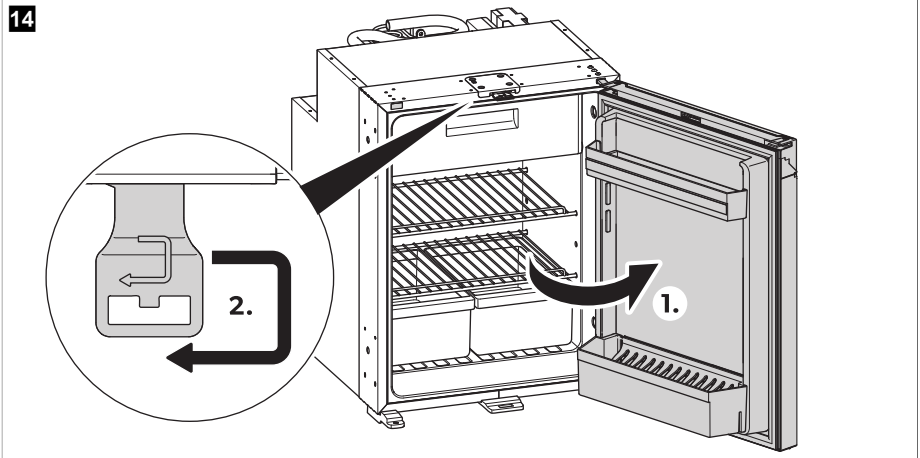
The storage position may not be used while driving.



NOTE Put the refrigerator door into the storage position if you are not going to use the device for a longer period of time. This prevents mold from forming.

> Defrost the refrigerator (see Defrosting the refrigerator on page 20).

> Put the refrigerator door into storage position as shown.

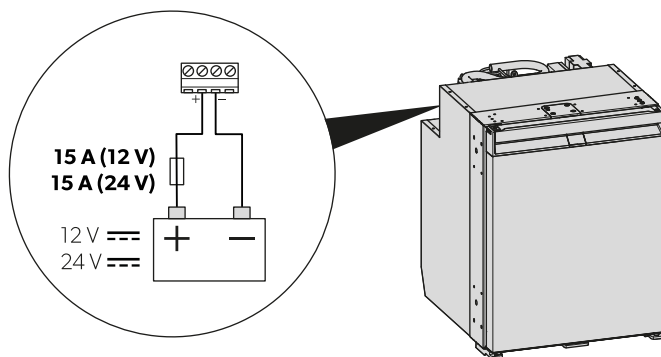



10 Troubleshooting



NOTE To safely operate 12 V consumer units in the caravan while driving, it must be ensured that the towing vehicle provides sufficient voltage. On some vehicles, the battery management system may automatically switch off the consumer units to protect the battery. Ask your vehicle manufacturer for more information.

16



Problem	Possible cause	Suggested remedy
The refrigerator does not work.	The fuse in the DC cable is defective.	> Replace the fuse ( Fig. 16 on page 23).
	The vehicle fuse has blown.	> Replace the vehicle fuse. Refer to the operating manual of your vehicle.
	The vehicle battery is discharged.	> Test the battery and charge it.
	The ignition is not switched on.	> Switch on the ignition.
	The temperature at the compressor is too low (< 0 °C (32°F)).	> Close/cover all external ventilation grilles completely with insulation material.
	The refrigerator switches off automatically if the voltage is insufficient. (Cut-off voltage: 10.4 V \Rightarrow)	> Load the battery. The refrigerator will start again automatically. (Cut-in voltage: 11.7 V \Rightarrow)
Poor cooling, increase in interior temperature. Compressor runs continuously.	The ventilation around the cooling unit is not sufficient.	> Check that the ventilation grille is not obstructed. > Move the refrigerator to another location.
	The interior walls are iced up.	> Check whether the refrigerator door closes properly. > Ensure that the refrigerator seal fits correctly and is not damaged. > Defrost the refrigerator (see Defrosting the refrigerator on page 20).
	The temperature is set too high.	> Set a lower temperature.
	The ambient temperature is too high.	> Remove the ventilation grille for a while so that warm air can escape quicker.
	Too much food was placed in the refrigerator at the same time.	> Remove some of the food.

Problem	Possible cause	Suggested remedy
	Too much warm food was placed in the refrigerator at the same time.	> Remove the warm food and leave it to cool down before putting it in again.
	The refrigerator has not been operating for very long.	> Check the temperature again after 4 h / 5 h .
	The condenser is dirty.	> Clean the condenser (see chapter Cleaning and maintenance on page 19).
	The fan is defective.	> Contact an authorized service agent.
Poor cooling, increase in interior temperature. The compressor does not run often.	The battery capacity is exhausted.	> Charge the battery.
Poor cooling, increase in interior temperature. The compressor does not run (battery connection).	There is an interruption in the battery electronics connection.	> Establish a connection.
	The main switch is defective (if installed).	> Replace the main switch.
	The additional supply line fuse has blown (if installed).	> Replace the supply line fuse.
	The battery voltage is too low.	> Charge the battery.
	The battery capacity too low.	> Replace the battery.
	The cables are loose. The contact is poor (corrosion).	> Establish a connection.
	The cable cross section is too small.	> Replace the cable.
The compressor is defective.	> Contact an authorized service agent.	
Poor cooling, increase in interior temperature. The compressor does not run (connection to AC supply).	The connection supply line is interrupted.	> Establish a connection.
	The main switch is defective (if installed).	> Replace the main switch.
	The additional supply line fuse has blown (if installed).	> Replace the supply line fuse.
	The compressor is defective.	> Contact an authorized service agent.
Unusual noises.	A component of the refrigerant circuit cannot move freely (touching the wall).	> Bend the component carefully away from the obstruction.
	There is a foreign object stuck between the cooling unit and the wall.	> Remove the foreign object.
	Fan noise.	> Contact an authorized service agent.
The door opens unintentionally when moving (e.g. while driving).	The door latch is set to position A (see chapter Adjusting the door latch on page 11).	> Set the door latch to position B .

Problem	Possible cause	Suggested remedy
The door does not close properly.	The door latch is set to position A (see chapter Adjusting the door latch on page 11).	> Set the door latch to position B .
	The door latch is set to position B (see chapter Adjusting the door latch on page 11) but the door is not properly latched.	> Ensure that the door latches properly when closing.

Error indication



NOTE

- > All errors are indicated by the error indicator LED flashing red (see Control and display elements on page 10). The number of flashes depends on the type of fault. Each flash lasts for one quarter of a second. After the sequence of flashes a pause follows. The sequence for the fault is repeated every four seconds.
- > In ECO, PERFORMANCE, and FREEZER mode an additional beep sounds.

Flashing frequency	Error	Possible cause
1	Under or over voltage	The supply voltage is outside of the set range.
2	Excessive fan current	The fan load on the electronics unit is more than 1 A.
3	The motor does not start	The rotor is jammed.
		The pressure difference in the cooling system is too high.
4	Speed too low	If the cooling system is overloaded, the minimum speed of the motor cannot be maintained.
5	Overheating of the electronics unit	If the cooling system is loaded too heavily or the temperature is set too high, the electronics can overheat.
Constantly	Temperature sensor errors	Temperature sensor is defective.

11 Warranty

Refer to the sections below for information about warranty and warranty support in the US, Canada, and all other regions.

United States and Canada

LIMITED WARRANTY AVAILABLE AT DOMETIC.COM/EN-US/SUPPORT/WARRANTY.

IF YOU HAVE QUESTIONS OR TO OBTAIN A COPY OF THE LIMITED WARRANTY FREE OF CHARGE, CONTACT:

DOMETIC CORPORATION
 CUSTOMER SUPPORT CENTER
 5155 VERDANT DRIVE
 ELKHART, INDIANA 46516
 1-800-544-4881

All other regions

For repair and warranty processing, please include the following documents when you send in the device:

- A copy of the receipt with purchasing date
- A reason for the claim or description of the fault

Note that self-repair or nonprofessional repair can have safety consequences and might void the warranty.

12 Disposal



NOTICE! Damage hazard

The insulation of the cooling device contains flammable cyclopentane and requires special disposal procedures. Deliver the cooling device at the end of its life-cycle to an appropriate recycling center.



Place the packaging material in the appropriate recycling waste bins wherever possible. Consult a local recycling center or specialist dealer for details about how to dispose of the product in accordance with the applicable disposal regulations. Europe: The product can be disposed free of charge.

13 Technical data

	NRX0035(E/C), NRX1035S	NRX0050(E/C/T), NRX1050S	NRX0060(E/C/T), NRX1060S
Capacity			
• Refrigerator compartment (NRX0035–0130[C], NRX0050–0080[T] and NRX1035–1130[S] only)	27.3 L (7.21 gal)	39.6 L (10.46 gal)	48.9 L (12.92 gal)
• Frozen compartment (NRX0035–0130[C], NRX0050–0080[T] and NRX1035–1130[S] only)	4.4 L (1.16 gal)	4.4 L (1.16 gal)	6.1 L (1.61 gal)
• Total capacity	32 L (8.45 gal)	44 L (11.62 gal)	55 L (14.53 gal)
• Total capacity (frozen compartment removed)	34 L (8.98 gal)	46 L (12.15 gal)	58 L (15.32 gal)
Connection voltage			
• NRX0035–0060(E/C/T)		12 / 24 V $\overline{=}$	
• NRX1035–1060(S)		100 ... 240 V \sim	
Supply battery protection (12 V)			
• Cut-off voltage		10.4 V	
• Cut-in voltage		11.7 V	
Supply battery protection (24 V)			
• Cut-off voltage		22.8 V	
• Cut-in voltage		24.2 V	
Climate class		T	
Storage temperature range:			

	NRX0035(E/C), NRX1035S	NRX0050(E/C/T), NRX1050S	NRX0060(E/C/T), NRX1060S
<ul style="list-style-type: none"> Refrigerator Frozen compartment (NRX0035-0130[C], NRX0050-0080[T] and NRX1035-1130[S] only) Freezer mode (NRX0035-0130[C], NRX0050-0080[T] and NRX1035-1130[S] only) 	0 °C (32°F) ... 12 °C (53.6°F) -15 °C (5°F) ... -5 °C (23°F) -6 °C (21.2°F)		
Intended ambient temperature use	16 °C (60.8°F) ... 43 °C (109.4°F)		
Refrigerant	R134a		
Refrigerant quantity	24 g (0.85 oz)	26 g (0.92 oz)	30 g (1.06 oz)
Global warming potential (GWP)	1430		
Noise emission (EN 60704)	40 ... 45 dB(A)	E, C, S: 40 ... 45 dB(A) T: 42 ... 45 dB(A)	
Dimensions H x W x D	525 (20.7) × 380 (15.0) × 355 mm (14.0 in) (without compressor and spacer) 525 mm (20.7 in) × 380 mm (15.0 in) × 480 mm (18.9 in) (with compressor and spacer)	E, C, S: 525 mm (20.7 in) × 380 mm (15.0 in) × 510 mm (20.1 in) T: 533 mm (21.0 in) × 380 mm (15.0 in) × 510 mm (20.1 in)	E, C, S: 525 mm (20.7 in) × 448 mm (17.6 in) × 537 mm (21.1 in) T: 533 mm (21.0 in) × 448 mm (17.6 in) × 537 mm (21.1 in)
Net weight	E: 13.5 kg (29.77 lb) C: 16 kg (35.28 lb) S: 17 kg (37.48 lb)	E: 14.5 kg (31.97 lb) C: 17.5 kg (38.59 lb) S: 18.5 kg (40.79 lb) T: 15 kg (33.08 lb)	C: 17 kg (37.48 lb) S: 18 kg (39.69 lb) E, T: 16 kg (35.28 lb)
Maximum load	<ul style="list-style-type: none"> Per door shelf Per door 		
	4 kg (8.82 lb) E: 4 kg (8.82 lb) C/S: 8 kg (17.64 lb)	4 kg (8.82 lb) E: 4 kg (8.82 lb) C/S: 8 kg (17.64 lb)	5 kg (11.02 lb) E: 5 kg (11.02 lb) C/S: 10 kg (22.05 lb)
	NRX0080(E/C/T), NRX1080S	NRX1115S	NRX1130S
Capacity	<ul style="list-style-type: none"> Refrigerator compartment (NRX0035-0130[C], NRX0050-0080[T] and NRX1035-1130[S] only) 		
	68.4 L (18.07 gal)	104.5 L (27.61 gal)	118 L (31.18 gal)

	NRX0080(E/C/T), NRX1080S	NRX1115S	NRX1130S
<ul style="list-style-type: none"> Frozen compartment (NRX0035-0130[C], NRX0050-0080[T] and NRX1035-1130[S] only) 	6.6 L (1.74 gal)	8.2 L (2.17 gal)	8.2 L (2.17 gal)
<ul style="list-style-type: none"> Total capacity 	75 L (19.82 gal)	113 L (29.85 gal)	126 L (33.29 gal)
<ul style="list-style-type: none"> Total capacity (frozen compartment removed) 	78 L (20.61 gal)	116 L (30.65 gal)	130 L (34.35 gal)
Connection voltage <ul style="list-style-type: none"> NRX1080-1130(S) 	12 / 24 V $\overline{=}$ 100 ... 240 V \sim		
<ul style="list-style-type: none"> NRX0080-0130(E/C), NRX0080T 	12 / 24 V $\overline{=}$		
Supply battery protection (12 V) <ul style="list-style-type: none"> Cut-off voltage Cut-in voltage 	10.4 V 11.7 V		
Supply battery protection (24 V) <ul style="list-style-type: none"> Cut-off voltage Cut-in voltage 	22.8 V 24.2 V		
Climate class	T		
Storage temperature range <ul style="list-style-type: none"> Refrigerator 	0 °C (32°F) ... 12 °C (53.6°F)		
<ul style="list-style-type: none"> Frozen compartment (NRX0035-0130C/T and NRX1035-1130S only) 	-15 °C (5°F) ... -5 °C (23°F)		
<ul style="list-style-type: none"> Freezer mode (NRX0035-0130C/T and NRX1035-1130S only) 	-6 °C (21.2°F)		
Intended ambient temperature use	16 °C (60.8°F) ... 43 °C (109.4°F)		
Refrigerant	R1234yf		
Refrigerant quantity	E, C, S: 28 g (0.99 oz) T: 32 g (1.13 oz)	32 g (1.13 oz)	32 g (1.13 oz)
Global warming potential (GWP)	4		
Noise emission (EN 60704)	E, C, S: 40 ... 45 dB(A) T: 42 ... 45 dB(A)	40 ... 45 dB(A)	

	NRX0080(E/C/T), NRX1080S	NRX1115S	NRX1130S
Dimensions H x W x D	E, C, S: 625 (24.6) × 475 (18.7) × 537 mm (21.1 in) 633 (24.9) × 475 (18.7) × 537 mm (21.1 in)	745 (29.3) × 525 (20.7) × 568 mm (22.4 in)	812 (32.0) × 525 (20.7) × 568 mm (22.4 in)
Net weight	C: 20 kg (44.1 lb) S: 21 kg (46.30 lb) E, T: 18 kg (39.69 lb)	C: 26 kg (57.33 lb) S: 27 kg (59.54 lb) E: 24 kg (52.92 lb)	C: 27 kg (59.54 lb) S: 28 kg (61.74 lb) E: 25 kg (55.12 lb)
Maximum load			
• Per door shelf	5 kg (11.02 lb)	6 kg (13.23 lb)	6 kg (13.23 lb)
• Per door	10 kg (22.05 lb)	E: 12 kg (26.46 lb) C/S: 18 kg (39.69 lb)	E: 12 kg (26.46 lb) C/S: 18 kg (39.69 lb)

14 Legal

This device complies with Part 15 of the FCC Rules. Operation is subject to the following two conditions:

- This device may not cause harmful interference.
- This device must accept any interference received, including interference that may cause undesired operation.

Changes or modifications not expressly approved by the party responsible for compliance could void the user's authority to operate the equipment. This equipment has been tested and found to comply with the limits for a Class B digital device, pursuant to part 15 of the FCC Rules. These limits are designed to provide reasonable protection against harmful interference in a residential installation. This equipment generates, uses and can radiate radio frequency energy and, if not installed and used in accordance with the instructions, may cause harmful interference to radio communications. However, there is no guarantee that interference will not occur in a particular installation. If this equipment does cause harmful interference to radio or television reception, which can be determined by turning the equipment off and on, the user is encouraged to try to correct the interference by one or more of the following measures:

- Reorient or relocate the receiving antenna.
- Increase the separation between the equipment and receiver.
- Connect the equipment into an outlet on a circuit different from that to which the receiver is connected.
- Consult the dealer or an experienced radio/TV technician for help.

This device complies with Industry Canada license-exempt RSS standard(s). Operation is subject to the following two conditions:

- This device may not cause interference.
- This device must accept any interference, including interference that may cause undesired operation of the device. This Class B digital apparatus complied with Canadian ICES-3(B)/NBM-3(B).

Français

1	Remarques importantes.....	30
2	Signification des symboles.....	30
3	Consignes de sécurité.....	31
4	Contenu de la livraison.....	34
5	Accessoires.....	34
6	Usage conforme.....	35
7	Description technique.....	36
8	Utilisation.....	38
9	Nettoyage et entretien.....	46
10	Dépannage.....	49
11	Garantie.....	52
12	Mise au rebut.....	53
13	Données techniques.....	53
14	Mentions légales.....	56

1 Remarques importantes

Veuillez lire et suivre attentivement l'ensemble des instructions, directives et avertissements figurant dans ce manuel afin d'installer, d'utiliser et d'entretenir le produit correctement à tout moment. Ces instructions DOIVENT rester avec le produit.

En utilisant ce produit, vous confirmez expressément avoir lu attentivement l'ensemble des instructions, directives et avertissements et que vous comprenez et acceptez de respecter les modalités et conditions énoncées dans le présent document. Vous acceptez d'utiliser ce produit uniquement pour l'usage et l'application prévus et conformément aux instructions, directives et avertissements figurant dans le présent manuel, ainsi qu'à toutes les lois et réglementations applicables. En cas de non-respect des instructions et avertissements figurant dans ce manuel, vous risquez de vous blesser ou de blesser d'autres personnes, d'endommager votre produit ou d'endommager d'autres biens à proximité. Le présent manuel produit, y compris les instructions, directives et avertissements, ainsi que la documentation associée peuvent faire l'objet de modifications et de mises à jour. Pour obtenir des informations actualisées sur le produit, consulter le site documents.dometic.com.

2 Signification des symboles

Un mot de signalement identifie les messages relatifs à la sécurité et aux dégâts matériels en indiquant le degré ou le niveau de gravité du danger.



AVERTISSEMENT !

Indique une situation dangereuse qui, si elle n'est pas évitée, est susceptible d'entraîner des blessures graves, voire mortelles.



ATTENTION !

Indique une situation dangereuse qui, si elle n'est pas évitée, est susceptible d'entraîner des blessures légères ou de gravité modérée.



AVIS !

Indique une situation dangereuse qui, si elle n'est pas évitée, peut entraîner des dommages matériels.



REMARQUE Informations supplémentaires sur l'utilisation de ce produit.

3 Consignes de sécurité

Sécurité générale



AVERTISSEMENT ! Risque d'électrocution

- > L'installation et le retrait du réfrigérateur doivent uniquement être réalisés par du personnel qualifié.
- > Faire exécuter l'installation dans des pièces humides et dans des zones exposées à l'eau uniquement par un spécialiste.
- > Si vous installez le réfrigérateur sous un auvent ou un endroit similaire, assurez-vous qu'il est protégé de la pluie et des éclaboussures.
- > Si le réfrigérateur présente des dégâts visibles, vous ne devez pas le mettre en service.
- > Seul du personnel qualifié est habilité à réparer le réfrigérateur. Toute réparation mal effectuée risquerait d'entraîner de graves dangers ou d'endommager de réfrigérateur.
- > Si le câble de raccordement du réfrigérateur est endommagé, il doit être remplacé par le fabricant, son service après-vente ou une personne de qualification similaire, afin d'éviter tout danger.
- > Veillez à ne pas coincer ni endommager le cordon d'alimentation lors de la mise en place du réfrigérateur.
- > Ne placez pas de multiprises portables ou de blocs d'alimentation portables à l'arrière du réfrigérateur.
- > Ne touchez pas les câbles dénudés à mains nues.
- > Branchez l'appareil sur des prises permettant un raccordement approprié, en particulier lorsque l'appareil doit être relié à la terre.
- > Si l'appareil est alimenté sur secteur, assurez-vous que l'alimentation dispose d'un disjoncteur différentiel ou d'un disjoncteur de fuite à la terre. L'installation doit être effectuée conformément à toutes les réglementations en vigueur, en particulier dans les zones potentiellement humides.



AVERTISSEMENT ! Risque d'incendie

- > Le circuit frigorifique contient une faible quantité de fluide frigorigène écologique, . Il n'affecte pas la couche d'ozone et ne contribue pas à l'effet de serre. Une fuite de fluide frigorigène peut prendre feu.
- > N'utilisez ou ne stockez pas le réfrigérateur dans des espaces confinés avec une aération faible ou inexistante.
- > Veillez à ne pas installer de composants électroniques et de sources lumineuses susceptibles de générer des étincelles ou des arcs électriques lors du fonctionnement normal ou anormal (ex. : relais, compteurs) dans la cavité d'installation du réfrigérateur.
- > L'isolation du réfrigérateur contient un gaz inflammable (cyclopentane) et nécessite des procédures d'élimination spéciales. À la fin de son cycle de vie, déposez le réfrigérateur dans un centre de recyclage approprié.



AVERTISSEMENT ! Risque d'explosion

Ne stockez aucune substance explosive, telle que des aérosols contenant des gaz combustibles, dans le réfrigérateur.



AVERTISSEMENT ! Risque pour la santé

- > Ce réfrigérateur ne doit pas être utilisé par des personnes (y compris les enfants) souffrant de déficiences physiques, sensorielles ou mentales ou manquant d'expérience ou de connaissances, sauf si une personne garante de leur sécurité les surveille ou leur fournit toutes les instructions adéquates concernant son utilisation.
- > Les enfants âgés de 3 à 8 ans peuvent remplir et vider le réfrigérateur.
- > Le nettoyage et l'entretien ne doivent pas être effectués par des enfants sans surveillance.
- > Les enfants doivent être surveillés pour s'assurer qu'ils ne jouent pas avec le réfrigérateur.

**AVERTISSEMENT ! Risque d'enfermement d'enfant**

- > Veillez à ce que les clayettes soient montées et fixées de sorte que les enfants ne puissent pas s'enfermer dans le réfrigérateur.
- > Avant de mettre au rebut votre ancien réfrigérateur :
 - Démontez les tiroirs.
 - Laissez les clayettes dans le réfrigérateur, afin que les enfants ne puissent pas entrer dedans.
- > Enlevez les portes de leurs gonds.

**ATTENTION ! Risque pour la santé**

- > Pour éviter tout risque dû à l'instabilité du réfrigérateur, celui-ci doit être fixé conformément aux instructions d'installation.
- > Veillez à ce que les orifices de ventilation situés sur le réfrigérateur et dans la structure intégrée ne soient pas obstrués.
- > N'utilisez pas d'appareils mécaniques ou d'autres moyens pour accélérer le processus de dégivrage, outre ceux recommandés par le fabricant.
- > N'ouvrez ou n'endommagez en aucun cas le circuit frigorifique.
- > N'exploitez aucun appareil électrique à l'intérieur du réfrigérateur, sauf si le fabricant le recommande.

**ATTENTION ! Risque de blessure**

- > N'utilisez ou ne stockez pas de matériaux inflammables dans ce réfrigérateur ou à proximité de celui-ci.
- > Ne placez pas d'articles dans ou contre ce réfrigérateur.
- > Ne modifiez pas ce réfrigérateur.

**AVIS ! Risque d'endommagement**

- > Sélectionnez le fonctionnement sur courant continu uniquement lorsque le moteur du véhicule tourne et fournit une tension suffisante, ou lorsque vous utilisez un moniteur de batterie.
- > Veillez à ce que l'évacuation de la condensation, s'il y en a, soit toujours propre.
- > Si le réfrigérateur est équipé de grilles d'aération, n'utilisez pas de nettoyeur à haute pression lors du nettoyage de véhicule dans la zone de la grille.
- > Le réfrigérateur ne doit pas être exposé à la pluie.
- > Ne tirez jamais sur le câble de raccordement pour sortir la fiche de la prise.

Sécurité d'exploitation de l'équipement de réfrigération**DANGER ! Risque d'électrocution**

Avant de mettre le réfrigérateur en service, assurez-vous que le câble et la prise d'alimentation électrique sont secs.

**ATTENTION ! Risque pour la santé**

- > Assurez-vous de stocker uniquement des objets pouvant être refroidis à la température sélectionnée dans le réfrigérateur.
- > Nettoyez régulièrement les surfaces qui entrent en contact avec les aliments, ainsi que les systèmes de drainage accessibles.
- > Stockez la viande et le poisson crus dans des récipients appropriés à l'intérieur du réfrigérateur de façon à ce qu'ils ne soient pas en contact avec d'autres aliments et ne puissent pas gouter sur ceux-ci.
- > Une ouverture prolongée de la porte peut entraîner une augmentation significative de la température dans les compartiments du réfrigérateur. Si le réfrigérateur reste vide pendant une période prolongée :
 - Éteignez le réfrigérateur.
 - Dégivrez le réfrigérateur.

- Nettoyez et séchez le réfrigérateur.
- Laissez la porte ouverte pour éviter que des moisissures ne se forment à l'intérieur du réfrigérateur. Si possible, placez la porte du réfrigérateur et celle du congélateur en position hiver.



ATTENTION ! Risque de blessure

- > Ne touchez pas la charnière.
- > Fermez et verrouillez la porte du réfrigérateur avant tout trajet.
- > Le système frigorifique situé à l'arrière du réfrigérateur devient très chaud pendant le fonctionnement. Si le réfrigérateur est équipé de grilles d'aération, protégez-vous contre tout contact avec des pièces chaudes lors de la dépose de ces grilles.
- > La porte de l'appareil ou du congélateur peut se détacher de l'appareil si elle n'est pas utilisée correctement. Appuyez sur la porte pour la fermer, jusqu'à ce que vous entendiez un clic distinct sur ses parties supérieure et inférieure.



AVIS ! Risque d'endommagement

- > Ne vous appuyez pas sur la porte du réfrigérateur lorsqu'elle est ouverte.
- > Stockez les objets lourds tels que les bouteilles ou canettes exclusivement dans la porte du réfrigérateur, dans le bac à légumes ou sur la clayette inférieure.
- > Si le réfrigérateur dispose d'une double porte et qu'elle n'est pas verrouillée correctement du côté opposé, appuyez de ce côté en haut et en bas jusqu'à ce qu'elle se verrouille.
- > **Risque de surchauffe !** Veillez toujours à ce que la chaleur produite lors du fonctionnement puisse se dissiper suffisamment. Veillez à ce que le réfrigérateur se trouve à distance suffisante des murs ou autres objets, de sorte que l'air puisse circuler.
- > Ne remplissez pas l'intérieur du réfrigérateur de substances liquides ou de glace.
- > Tenez le réfrigérateur et les câbles à l'abri de la chaleur et de l'humidité.
- > Ne tirez jamais sur le câble de raccordement pour sortir la fiche de la prise.



REMARQUE

- > Si le système de gestion de la batterie de votre véhicule arrête le réfrigérateur pour protéger la batterie, contactez le fabricant de votre véhicule.
- > Si les températures ambiantes sont comprises entre 15 °C (59 °F) ... 25 °C (77 °F), choisissez le réglage de température intermédiaire.
- > Si la porte n'est pas verrouillée correctement du côté opposé, appuyez de ce côté en haut et en bas jusqu'à ce qu'elle se verrouille.
- > Pour éviter de gâcher des aliments, notez les éléments suivants :
 - Évitez autant que possible les variations de température. Ouvrez uniquement le congélateur lorsque c'est nécessaire et le moins longtemps possible. Entrez les denrées alimentaires de sorte que l'air puisse circuler librement entre elles.
 - Assurez-vous de stocker uniquement des objets pouvant être refroidis à la température sélectionnée dans le réfrigérateur.
 - Entrez les divers types de denrées alimentaires comme indiqué sur les figures.
 - Si vous pouvez régler la température : Ajustez la température en fonction de la quantité et de la nature des denrées alimentaires.
 - Les denrées alimentaires peuvent facilement absorber ou dégager des odeurs. Entrez toujours les denrées alimentaires dans des conteneurs/bouteilles couverts ou fermés.

4 Contenu de la livraison

Quantité	Description
1	Réfrigérateur à compresseur
1	Coude de vidange
1	Mode d'emploi abrégé
1	Manuel d'utilisation (en ligne uniquement)
1	Instructions de montage

5 Accessoires

Disponibles comme accessoires (non compris dans la livraison) :

Description	N° d'article
Charnière coulissante	9620012939
Cadre de fixation avec cadre inférieur	
• NRX0035, NRX1035, NRX0050, NRX1050	9620012877
• NRX0060, NRX1060	9620012881
• NRX0080, NRX1080	9620012882
• NRX0115, NRX1115	9620012878
• NRX0130, NRX1130	9620012876
Cadre de fixation avec cadre inférieur (noir)	
• NRX0035, NRX1035, NRX0050, NRX1050	9620012874
• NRX0060, NRX1060	9620012875
• NRX0080, NRX1080	9620012880
• NRX0115, NRX1115	9620012879
• NRX0130, NRX1130	9620012883
Étagère de remplacement lors du retrait du compartiment de congélation	
• NRX0035, NRX1035, NRX0050, NRX1050	9620012933
• NRX0060, NRX1060	9620012938
• NRX0080, NRX1080	9620012935
• NRX0115, NRX1115, NRX0130, NRX1130	9620012932

Description	N° d'article
Compartiment de congélation	
• NRX0035, NRX1035, NRX0050, NRX1050	9620012931
• NRX0060, NRX1060	9620012936
• NRX0080, NRX1080	9620012934
• NRX0115, NRX1115, NRX0130, NRX1130	9620012937
Adaptateur CA/CC	9620013451

6 Usage conforme

Le réfrigérateur est adapté à ce qui suit :

- Installation dans les caravanes, les camping-cars, les bateaux et les camions
- Réfrigération et stockage d'aliments
- **NRX0035–0130(C), NRX0050–0080(T) et NRX1035–1130(S) uniquement** : Stockage d'aliments surgelés
- Utilisation à l'intérieur

Ce réfrigérateur n'est pas destiné à une utilisation commerciale, de vente au détail ou domestique.

Le réfrigérateur n'est **pas** conçu pour :

- Le stockage de médicaments
- Le stockage de substances corrosives ou contenant des solvants
- La surgélation d'aliments
- Utilisation en extérieur

Lorsque cet appareil est utilisé à bord d'un bateau, il doit être installé dans une salle de jour et non pas sur le pont extérieur.

Le compartiment de congélation convient pour le stockage des produits précongelés et pour le stockage ou la préparation de glaces et de glaçons. Il n'est pas adapté à la congélation d'aliments.

Le réfrigérateur est destiné à être installé dans un meuble ou une cavité dédiée.

Des performances de refroidissement optimales sont assurées à des températures ambiantes comprises entre 16 °C (60,8 °F) ... 43 °C (109,4 °F) et à une humidité maximale de 90 % .

Ce produit convient uniquement à l'usage et à l'application prévus, conformément au présent manuel d'instructions.

Ce manuel fournit les informations nécessaires à l'installation et/ou à l'utilisation correcte du produit. Une installation, une utilisation ou un entretien inappropriés entraînera des performances insatisfaisantes et une éventuelle défaillance.

Le fabricant décline toute responsabilité en cas de blessure ou de dommage résultant :

- d'une installation, d'un montage ou d'un raccordement incorrect, y compris d'une surtension
- d'un entretien inadapté ou de l'utilisation de pièces de rechange autres que les pièces de rechange d'origine fournies par le fabricant
- de modifications apportées au produit sans autorisation explicite du fabricant
- d'usages différents de ceux décrits dans ce manuel

Dometic se réserve le droit de modifier l'apparence et les spécifications produit.

7 Description technique

Le réfrigérateur est un réfrigérateur à compresseur.

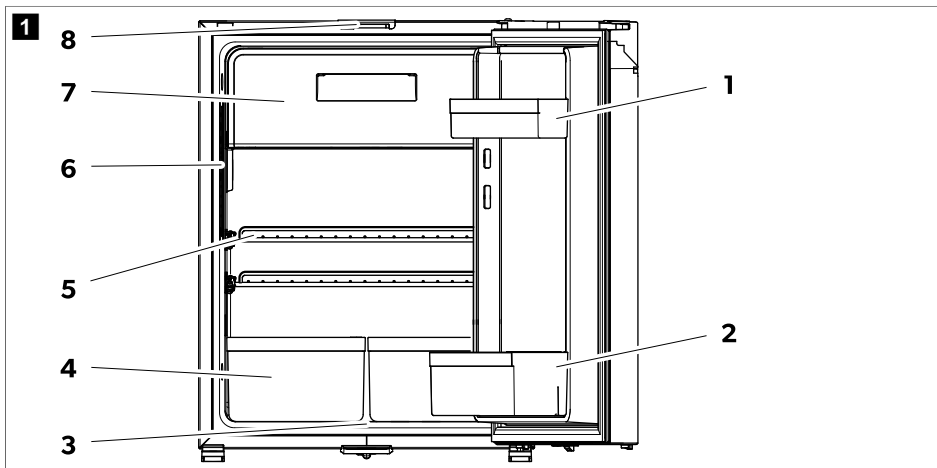
NRX1035-1130(S) : Le réfrigérateur est conçu pour fonctionner avec différents types d'alimentation et peut fonctionner sur une alimentation CC ou CA.

NRX0035-0130(C), NRX0050-0080(T) et NRX1035-1130(S) : Le modèle est équipé en usine d'un compartiment de congélation amovible.

Le réfrigérateur dispose d'un mécanisme de verrouillage offrant une protection pendant le transport.

Tous les matériaux utilisés lors de la construction de la glacière n'altèrent pas la qualité des aliments.

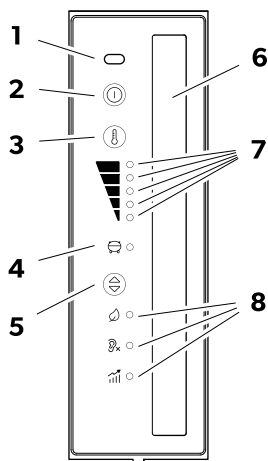
Description de l'appareil



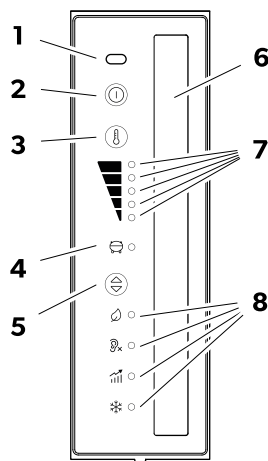
N°	Explication
1	Étagère de porte (NRX0035-0130[C], NRX0050-0080[T], NRX1035-1130[S] et NRX0080-0130[E] uniquement)
2	Étagère pour bouteilles
3	Bac de récupération des condensats
4	Bac à légumes (uniquement NRX0035-0130[C], NRX0050-0080[T] et NRX1035-1130[S])
5	Clayette
6	Panneau de commande avec écran
7	Compartiment de congélation (uniquement NRX0035-0130[C], NRX0050-0080[T] et NRX1035-1130[S])
8	Loquet de porte pour la ventilation


Éléments de commande et d'affichage

NRX0035 – 0130 (E)



NRX0050 – 0080 (T), NRX0035 – 0130 (C), NRX1035 – 1130 (S)



N°	Explication
1	Capteur infrarouge d'ouverture de porte
2	Ⓜ Bouton MARCHÉ/ARRÊT
3	🌡 Bouton de réglage du niveau de refroidissement
4	Voyant LED d'état du compresseur et d'erreur
5	🌀 Bouton de mode de fonctionnement
6	Éclairage intérieur
7	Voyants LED de niveau de refroidissement  <ul style="list-style-type: none"> ■ Niveau de refroidissement 5 ▒ Niveau de refroidissement 4 ▓ Niveau de refroidissement 3 ▒ Niveau de refroidissement 2 ▓ Niveau de refroidissement 1
8	Voyants LED de mode de fonctionnement

Voyant LED d'état du compresseur et d'erreur





Le voyant LED d'état du compresseur et d'erreur indique l'état de fonctionnement du compresseur ou une erreur :

Couleur	Description
Blanc	Compresseur en marche

Couleur	Description
Orange	Compresseur à l'arrêt
Orange (clignotant)	Erreur (voir le chapitre État d'erreur à la page 52)

Voyants LED de mode de fonctionnement

Les voyants LED de mode de fonctionnement affichent les options de réglage suivantes :

Symbole	Description
	Mode ECO : Fonctionnement avec consommation d'énergie réduite. Niveau de refroidissement 1 - 3
	Mode SILENCIEUX : Fonctionnement avec niveau de bruit réduit. Niveau de refroidissement 1 - 4
	Mode PERFORMANCE : Niveau de refroidissement 1 - 5
	Mode CONGÉLATION (NRX0035-0130[C], NRX0050-0080[T] et NRX1035-1130[S] uniquement): Fonctionnement avec compartiment de congélation retiré. Refroidit tout l'intérieur du réfrigérateur à une température de -6°C ($21,2^{\circ}\text{F}$).

8 Utilisation

8.1 Avant la première utilisation

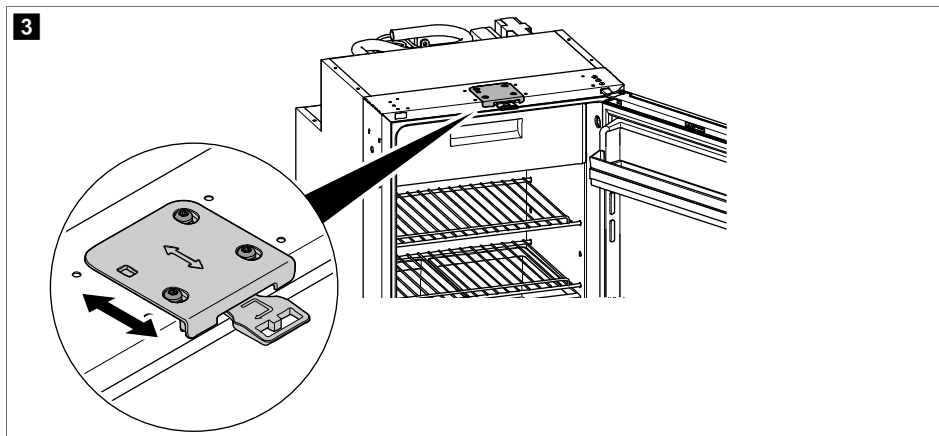


REMARQUE

- > Ne stockez pas d'aliments dans le réfrigérateur pendant les 4 premières heures suivant sa mise en service.
- > Lors de la première mise en service du réfrigérateur, il peut dégager une légère odeur, qui disparaîtra au bout de quelques heures. Aérez bien la pièce d'habitation.
- > La puissance frigorifique peut être affectée par :
 - la température ambiante (par ex. lorsque le véhicule est stationné en plein soleil)
 - la quantité d'aliments à refroidir
 - La fréquence d'ouverture de la porte.
- > Nettoyez l'intérieur du réfrigérateur pour des raisons d'hygiène (voir *Nettoyage et entretien* à la page 46).
- > Stationnez le véhicule sur une surface plane, surtout lors de la mise en service et du remplissage du réfrigérateur avant un trajet.

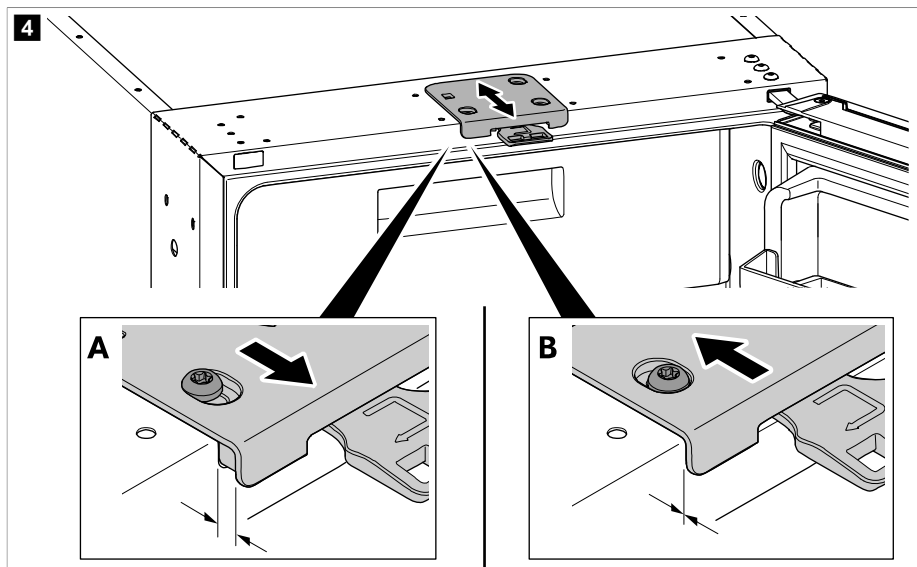
8.1.1 Réglage du loquet de porte

Le loquet de porte situé sur le dessus du réfrigérateur peut être réglé pour réguler la largeur de fermeture de la porte.



i **REMARQUE** Vérifiez si le loquet de porte réglable est installé. Si nécessaire, commandez le loquet de porte réglable (dometic.com) et remplacez le loquet de porte fixe par le loquet de porte réglable.

> Le loquet de porte est réglé sur la position **A** en usine. Placez le loquet de porte en position **B**.



i **REMARQUE** Si le loquet de porte est en position **B**, assurez-vous que la porte se verrouille correctement lors de la fermeture (voir chapitre Fermeture et sécurisation de la porte du réfrigérateur à la page 41).

8.2 Informations relatives au stockage des aliments



ATTENTION ! Risque pour la santé

Si le réfrigérateur est exposé à une température ambiante inférieure à 10 °C (50 °F) pendant une période prolongée, la régulation de la température du compartiment de congélation ne peut plus être garantie. Cela peut entraîner une augmentation de la température du compartiment de congélation et la décongélation des produits stockés.

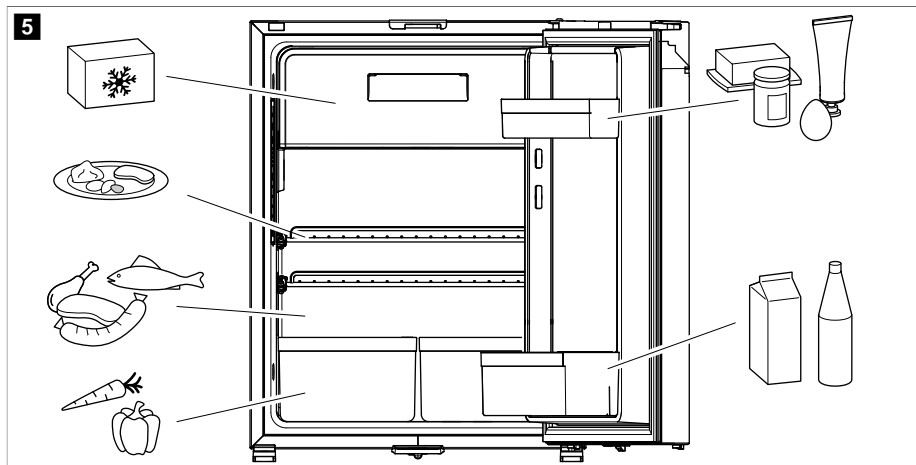


AVIS ! Risque d'endommagement

- > Respectez la charge maximale par étagère de porte et par porte lors du remplissage du réfrigérateur (voir Données techniques à la page 53).
- > Ne conservez pas de boissons gazeuses dans le compartiment de congélation.

Pour éviter de gâcher des aliments, notez les éléments suivants :

- Évitez autant que possible les variations de température. Ouvrez le réfrigérateur uniquement lorsque c'est nécessaire et le moins longtemps possible. Entreposez les denrées alimentaires de sorte que l'air puisse circuler librement entre elles.
- Ajustez la température en fonction de la quantité et de la nature des denrées alimentaires.
- Entreposez les divers types de denrées alimentaires comme indiqué sur les figures.
- Les denrées alimentaires peuvent facilement absorber ou dégager des odeurs. Entreposez toujours les denrées alimentaires dans des conteneurs/bouteilles couverts ou fermés.
- > Stockez les aliments comme indiqué.



8.3 Économie d'énergie

- Ouvrez le réfrigérateur uniquement lorsque c'est nécessaire et le moins longtemps possible.
- Laissez refroidir les aliments chauds avant de les placer dans l'appareil.
- Dégivrez le réfrigérateur dès qu'une couche de glace s'est formée.
- Évitez une température intérieure inutilement basse.
- Pour une consommation d'énergie optimale, positionnez les clayettes et les tiroirs conformément à leur position à la livraison.
- Vérifiez régulièrement que le joint de la porte est correctement positionné.

- Nettoyez régulièrement le condenseur pour enlever la poussière et les salissures.

8.4 Utilisation de la porte du réfrigérateur



ATTENTION ! Risque de blessure

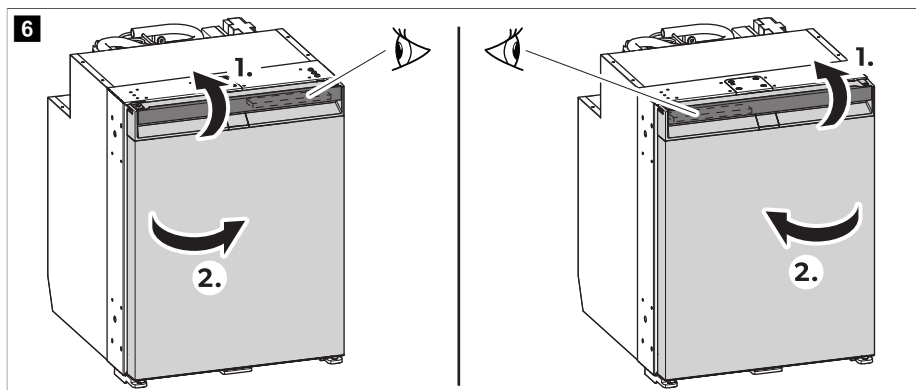
La porte du réfrigérateur et la porte du compartiment congélation peuvent se détacher de l'appareil si elles ne sont pas utilisées correctement.

8.4.1 Ouverture de la porte du réfrigérateur



REMARQUE Veillez à tirer la poignée du côté opposé à la butée de porte. Observez la position du patin. Reportez-vous au manuel d'installation associé.

- > Pour ouvrir la porte du réfrigérateur, procédez comme indiqué.



8.4.2 Fermeture et sécurisation de la porte du réfrigérateur



ATTENTION ! Risque de blessure

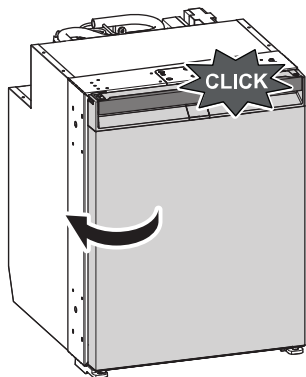
Si la porte n'est pas verrouillée correctement, appuyez doucement sur les parties supérieure et inférieure de la porte jusqu'à ce qu'elle se verrouille en place.



REMARQUE La porte du réfrigérateur est dotée d'un mécanisme de verrouillage permettant également de la protéger pendant le transport.

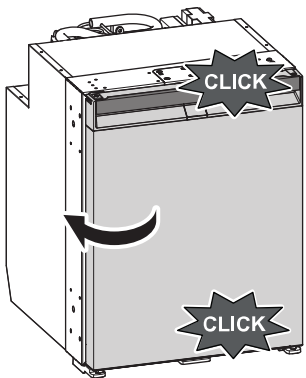
- > NRX0035-0130(E): Fermez la porte en la poussant jusqu'à ce que vous entendiez un clic distinct sur sa partie supérieure.

7 NRX0035 – 0130 (E)



- > NRX0035-0130(C), NRX0050-0080(T) et NRX1035-1130(S) : Appuyez sur la porte pour la fermer, jusqu'à ce que vous entendiez un clic distinct sur ses parties supérieure et inférieure.

8 NRX0050 – 0080 (T), NRX0035 – 0130 (C), NRX1035 – 1130 (S)





- ✓ La porte est maintenant fermée et verrouillée.

8.5 Mise en marche et arrêt



REMARQUE Éteignez toujours le réfrigérateur s'il ne va pas être utilisé pendant une période prolongée.

- > Pour allumer l'appareil, maintenez le bouton  enfoncé pendant au moins 2 s .
- ✓ Le réfrigérateur s'allume avec le dernier réglage de niveau de refroidissement et le dernier mode de fonctionnement sélectionnés.
- > Pour éteindre l'appareil, maintenez le bouton  enfoncé pendant au moins 2 s .

8.6 Réglage des modes de fonctionnement



REMARQUE Lors de l'utilisation des modes ECO, PERFORMANCE ou CONGÉLATEUR, le système reste dans ce mode jusqu'au prochain changement.

- > Pour régler le mode de fonctionnement, appuyez plusieurs fois sur le bouton  jusqu'à ce que le voyant LED du mode de fonctionnement souhaité s'allume.

Les modes de fonctionnement suivants sont disponibles :

Utilisation du mode ECO

Lorsque le mode ECO est activé, le réfrigérateur fonctionne avec une consommation d'énergie réduite aux niveaux de refroidissement 1 – 3.

- ✓ Le voyant LED du mode ECO  et du niveau de refroidissement sélectionné s'allument.

Utilisation du mode SILENCIEUX

Lorsque le mode SILENCIEUX est activé, le réfrigérateur fonctionne avec un niveau de bruit réduit aux niveaux de refroidissement 1 – 4.



REMARQUE

- > Le mode SILENCIEUX n'est pas disponible si le réfrigérateur fonctionne en mode CONGÉLATEUR.
- > Lorsque vous utilisez le mode SILENCIEUX, le réfrigérateur reste dans ce mode pendant 8 h , puis revient au mode précédemment sélectionné (mode ECO ou PERFORMANCE).

- ✓ Le voyant LED du mode QUIET  et du niveau de refroidissement sélectionné s'allument.

Utilisation du mode PERFORMANCE

Lorsque le mode PERFORMANCE est activé, le réfrigérateur fonctionne en mode standard aux niveaux de refroidissement 1 – 5.


- ✓ Le voyant LED du mode PERFORMANCE  et du niveau de refroidissement sélectionné s'allument.

Utilisation du mode CONGÉLATEUR


Lorsque le mode CONGÉLATEUR est activé, l'intérieur complet du réfrigérateur est refroidi à -6°C ($21,2^{\circ}\text{F}$).



REMARQUE Retirez le compartiment de congélation pour utiliser le mode CONGÉLATEUR.

- ✓ Le voyant LED du mode CONGÉLATEUR  et tous les voyants LED de niveau de refroidissement s'allument en continu.

8.7 Réglage du niveau de refroidissement

- > Pour régler le niveau de refroidissement, appuyez plusieurs fois sur le bouton  jusqu'à ce que le niveau de refroidissement souhaité soit atteint.

8.8 Repositionnement des clayettes



AVERTISSEMENT ! Risque d'enfermement d'enfant

NRX0060-0130 et NRX1060-1130: Toutes les clayettes sont fixées afin que des enfants ne puissent pas monter dans le réfrigérateur.

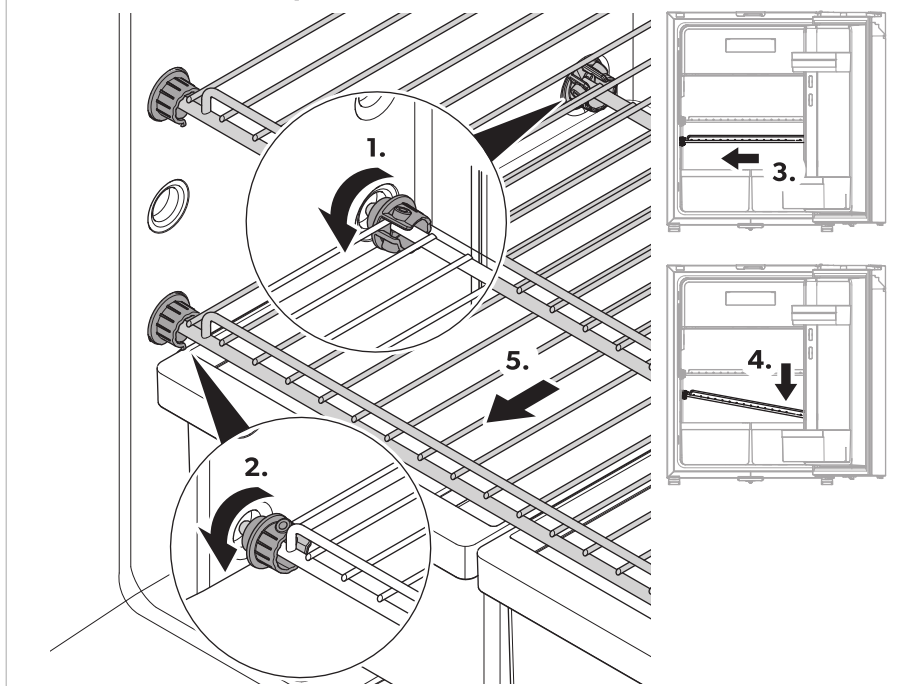
- > Retirez les clayettes uniquement pour le nettoyage.
- > Réinstallez et verrouillez les clayettes.



REMARQUE Retirez le compartiment congélation avant de repositionner les clayettes afin de faciliter l'accès aux supports de clayette arrière.

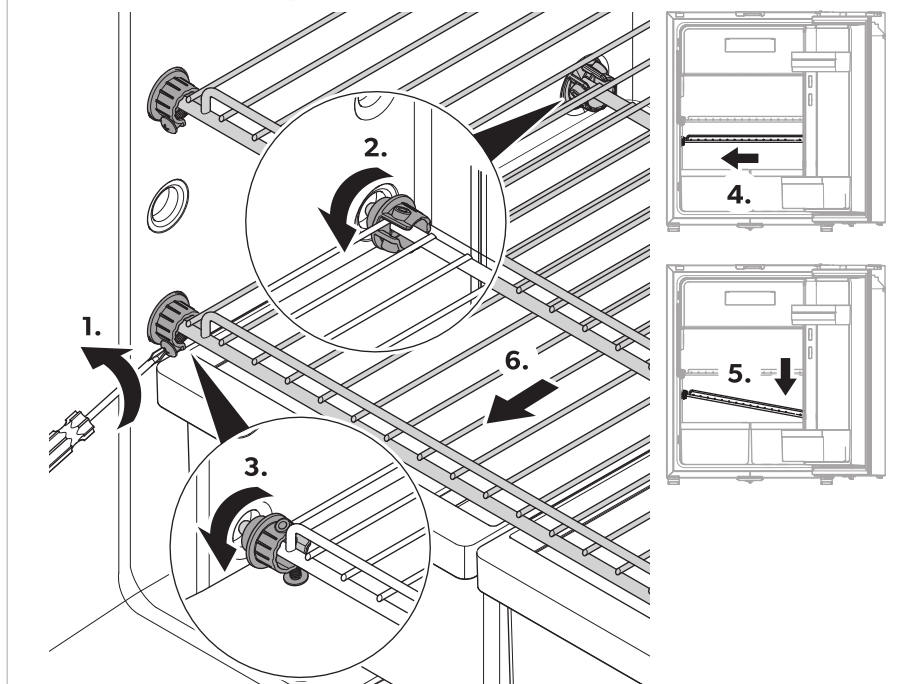
- > **NRX0035-0050** : pour repositionner les clayettes comme souhaité, procédez comme indiqué.

9 NRX0035 – 0050, NRX1035 – 1050



- > **NRX0035-0050** : Pour repositionner les clayettes comme souhaité, procédez comme indiqué.

10 NRX0060 – 0130, NRX1060 – 1130



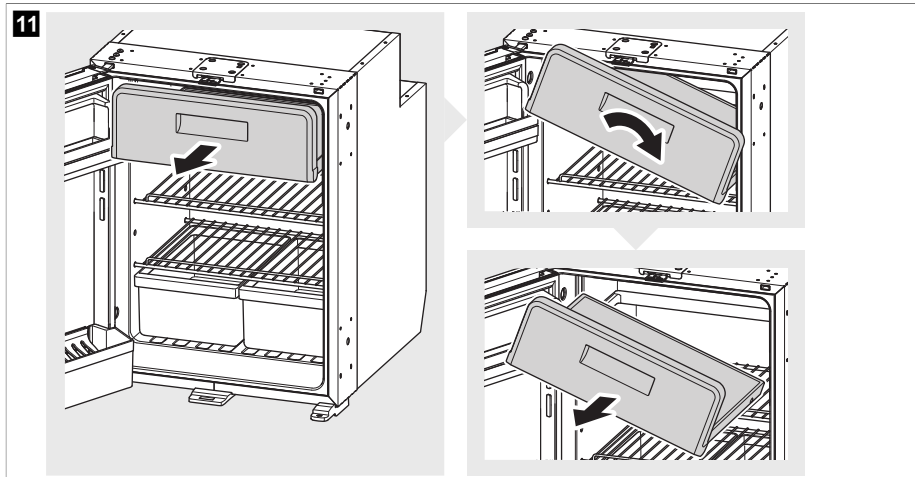
8.9 Retrait du compartiment de congélation



AVIS ! Risque d'endommagement

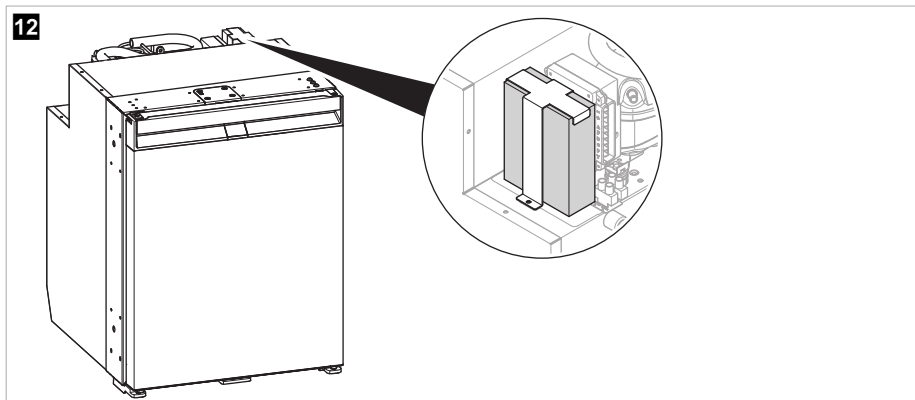
- > Fermez la porte du compartiment de congélation pour le retirer.
- > Saisissez le compartiment de congélation par le bas. Ne tirez pas sur la porte du compartiment de congélation.
- > Stockez le compartiment de congélation dans un endroit sec et sûr.

- > Pour retirer le compartiment de congélation, procédez comme indiqué.



8.10 Installation de l'adaptateur CA/CC

- > Pour installer l'adaptateur CA/CC (accessoire), procédez comme indiqué.



9 Nettoyage et entretien



AVERTISSEMENT ! Risque d'électrocution

Débranchez toujours le réfrigérateur de la source d'alimentation avant toute opération de nettoyage ou d'entretien.



AVIS ! Risque d'endommagement

- > N'utilisez pas de produits abrasifs ou d'objets durs pendant le nettoyage.

- > N'utilisez jamais d'outils durs ou pointus pour enlever les couches de glace ou pour détacher des objets givrés.
- > Veillez à ce que de l'eau ne goutte pas sur les joints. Cela risque d'endommager les composants électroniques.



AVIS ! Risque d'endommagement

La source d'éclairage doit uniquement être remplacée par le fabricant, un agent de service ou toute autre personne de qualification similaire afin d'éviter tout danger.

- > Nettoyez régulièrement l'intérieur et l'extérieur du réfrigérateur avec un chiffon humide et dès qu'il est sale. Essuyez l'appareil avec un chiffon après l'avoir nettoyé.
- > Vérifiez régulièrement l'évacuation de la condensation.
Nettoyez l'évacuation de la condensation si nécessaire. Si elle est obstruée, la condensation s'accumule en bas du réfrigérateur.
- > Nettoyez régulièrement la poussière et la saleté du condenseur avec un chiffon humide.

Circuit frigorifique

Le circuit frigorifique est sans entretien.

Dégivrage du réfrigérateur



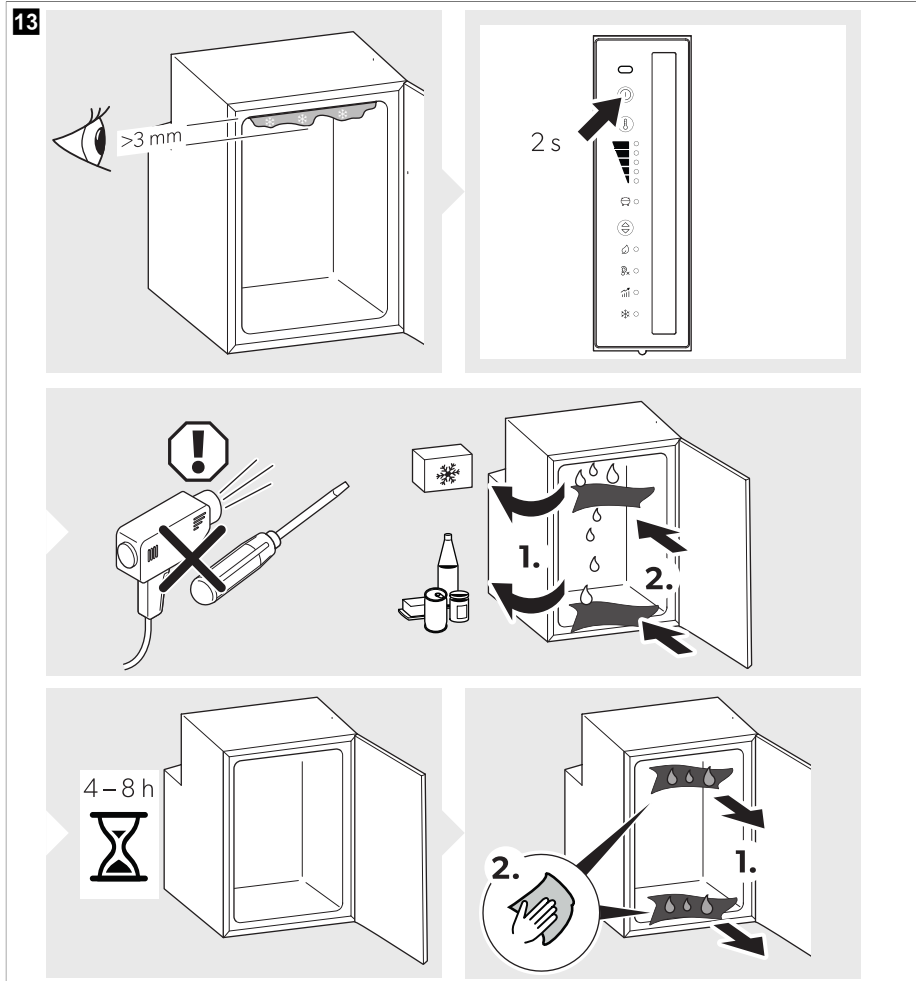
AVIS ! Risque d'endommagement

N'utilisez aucun moyen mécanique ou autre pour accélérer la procédure de dégivrage.



REMARQUE Au fil du temps, du givre se forme sur la paroi arrière à l'intérieur du réfrigérateur. Lorsque cette couche de givre atteint environ 3 mm (0,1 in), dégivrez le réfrigérateur.

> Pour dégivrer le réfrigérateur, procédez comme indiqué.



Placement de la porte du réfrigérateur en position de stockage



ATTENTION ! Risque de blessure

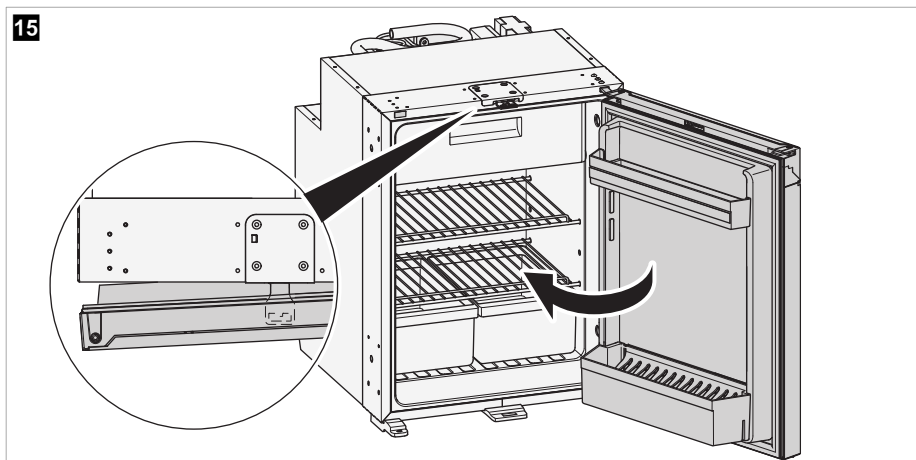
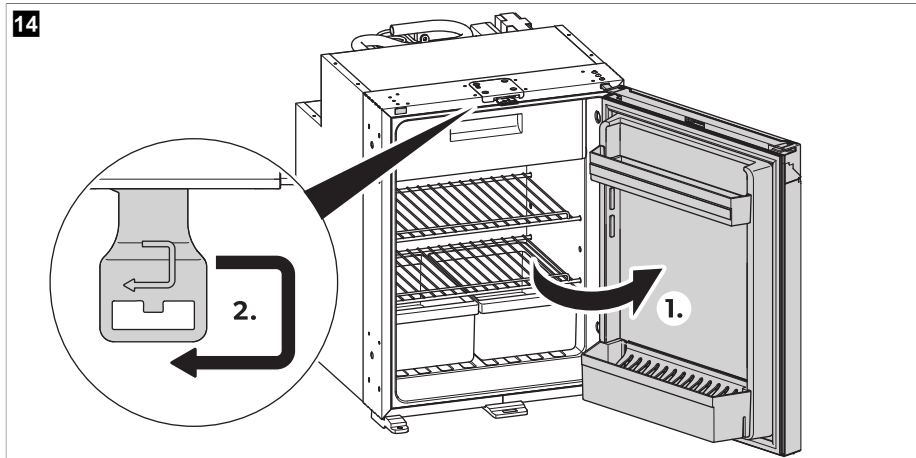
La position de stockage ne doit pas être positionnée pendant la conduite.



REMARQUE Placez la porte du réfrigérateur en position de stockage si vous prévoyez de ne pas l'utiliser pendant une période prolongée. Cela évite la formation de moisissures.

> Dégivrez le réfrigérateur (voir Dégivrage du réfrigérateur à la page 47).

- > Placez la porte du réfrigérateur en position de stockage comme illustré.

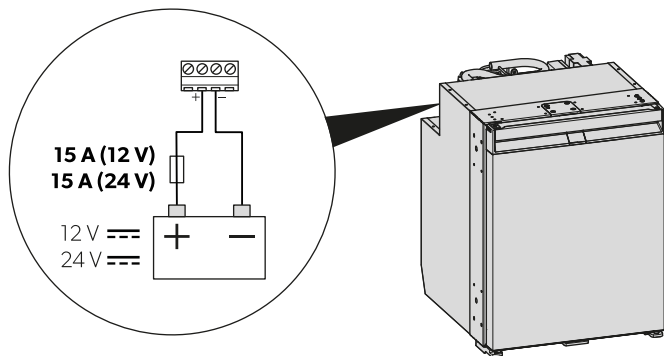


10 Dépannage



REMARQUE Pour utiliser en toute sécurité les appareils 12 V dans la caravane en cours de trajet, veillez à ce que le véhicule de remorquage fournisse une tension suffisante. Sur certains véhicules, le système de gestion de batterie peut éteindre automatiquement les appareils pour protéger la batterie. Renseignez-vous à ce sujet auprès du fabricant de votre véhicule.

16



Panne	Cause possible	Solution proposée
Le réfrigérateur ne fonctionne pas.	Le fusible du câble CC est défectueux.	> Changez le fusible (☑ fig. 16 à la page 50).
	Le fusible du véhicule a grillé.	> Remplacez le fusible du véhicule. Reportez-vous au manuel d'utilisation de votre véhicule.
	La batterie du véhicule est déchargée.	> Testez la batterie du véhicule et rechargez-la.
	Le contact n'est pas mis.	> Mettez le contact.
	La température du compresseur est trop basse (< 0 °C (32 °F)).	> Fermez/couvrez complètement toutes les grilles de ventilation extérieure avec un matériau isolant.
	Le réfrigérateur s'éteint automatiquement si la tension est insuffisante. (Tension d'arrêt : 10,4 V ⇒)	> Chargez la batterie. Le réfrigérateur redémarre automatiquement. (Tension de démarrage : 11,7 V ⇒)
Refroidissement insuffisant, augmentation de la température intérieure. Le compresseur fonctionne en continu.	La ventilation autour du groupe frigorifique est insuffisante.	> Vérifiez que la grille d'aération n'est pas obstruée. > Déplacez le réfrigérateur vers un autre endroit.
	Les parois intérieures sont givrées.	> Vérifiez si la porte du réfrigérateur ferme correctement. > Assurez-vous que le joint du réfrigérateur est installé correctement et n'est pas endommagé. > Dégivrez le réfrigérateur (voir Dégivrage du réfrigérateur à la page 47).
	Le réglage de la température est trop élevé.	> Réglez une température plus basse.
	La température ambiante est trop élevée.	> Retirez temporairement la grille d'aération afin que l'air chaud soit évacué plus rapidement.
	Le réfrigérateur contient un trop grand nombre d'aliments.	> Retirez quelques aliments.

Panne	Cause possible	Solution proposée
	Le réfrigérateur contient un trop grand nombre d'aliments chauds.	➤ Retirez les aliments chauds et laissez-les refroidir avant de les stocker.
	Le réfrigérateur n'a pas fonctionné depuis longtemps.	➤ Vérifiez à nouveau la température au bout de 4 h / 5 h.
	Le condenseur est sale.	➤ Nettoyez le condenseur (voir chapitre Nettoyage et entretien à la page 46).
	Le ventilateur est défectueux.	➤ Contacter un agent de service agréé.
<p>Refroidissement insuffisant, augmentation de la température intérieure.</p> <p>Le compresseur ne fonctionne pas souvent.</p>	La batterie est déchargée.	➤ Chargez la batterie.
<p>Refroidissement insuffisant, augmentation de la température intérieure.</p> <p>Le compresseur ne fonctionne pas (raccordement sur batterie).</p>	Interruption de la ligne de raccordement entre la batterie et l'électrique.	➤ Établissez une connexion.
	L'interrupteur principal est défectueux (le cas échéant).	➤ Changez le commutateur principal.
	Le fusible supplémentaire de la ligne est grillé (le cas échéant).	➤ Changez le fusible de la ligne.
	La tension de la batterie est trop faible.	➤ Chargez la batterie.
	La capacité de la batterie est trop faible.	➤ Remplacez la batterie.
	Les câbles sont desserrés. Le contact est incorrect (corrosion).	➤ Établissez une connexion.
	La section du câble est trop faible.	➤ Remplacez le câble.
	Le compresseur est défectueux.	➤ Contacter un agent de service agréé.
<p>Refroidissement insuffisant, augmentation de la température intérieure.</p>	La connexion de la ligne d'alimentation est interrompue.	➤ Établissez une connexion.
<p>Le compresseur ne fonctionne pas (raccordement sur tension alternative).</p>	L'interrupteur principal est défectueux (le cas échéant).	➤ Changez le commutateur principal.
	Le fusible supplémentaire de la ligne est grillé (le cas échéant).	➤ Changez le fusible de la ligne.
	Le compresseur est défectueux.	➤ Contacter un agent de service agréé.
Bruits inhabituels.	Les mouvements d'un élément du circuit frigorifique sont bloqués (l'élément touche la paroi).	➤ Redressez l'élément avec précaution.
	Un corps étranger est coincé entre l'unité de réfrigération et la paroi.	➤ Retirez le corps étranger.
	Le ventilateur fait du bruit.	➤ Contacter un agent de service agréé.

Panne	Cause possible	Solution proposée
La porte s'ouvre involontairement lors d'un déplacement (par exemple pendant la conduite).	Le loquet de porte est réglé sur la position A (voir chapitre Réglage du loquet de porte à la page 38).	> Placez le loquet de porte en position B .
La porte ne ferme pas bien.	Le loquet de porte est réglé sur la position A (voir chapitre Réglage du loquet de porte à la page 38).	> Placez le loquet de porte en position B .
	Le loquet de porte est réglé sur la position B (voir chapitre Réglage du loquet de porte à la page 38), mais la porte n'est pas correctement verrouillée.	> Assurez-vous que la porte se verrouille correctement lors de la fermeture.

État d'erreur



REMARQUE

- > Toutes les erreurs sont indiquées par le voyant LED d'erreur clignotant en rouge (voir Éléments de commande et d'affichage à la page 37). Le nombre de clignotements dépend du type de défaut. Chaque clignotement dure un quart de seconde. Une pause suit la séquence de clignotements. La séquence correspondant au défaut est répétée toutes les quatre secondes.
- > En mode ECO, PERFORMANCE et CONGÉLATEUR, un bip supplémentaire retentit.

Fréquence de clignotement	Error	Cause possible
1	Sous-tension ou surtension	La tension d'alimentation se trouve en dehors de la plage réglée.
2	Surintensité du ventilateur	La charge du ventilateur sur l'unité électronique est supérieure à 1 A.
3	Le moteur ne démarre pas	Le rotor est coincé. Le différentiel de pression dans le système de refroidissement est trop élevé.
4	Vitesse de rotation trop faible	Si le système de refroidissement est surchargé, la vitesse minimale du moteur ne peut être maintenue.
5	Surtempérature de l'unité électronique	Si le système frigorifique est trop sollicité ou atteint une température trop élevée, les composants électroniques chauffent trop.
Permanent	Erreurs de capteur de température	Le capteur de température est défectueux.

11 Garantie

Consultez les sections ci-dessous pour de plus amples informations relatives à la garantie et l'assistance dans le cadre de la garantie aux États-Unis, au Canada et dans toutes les autres régions.

États-Unis et Canada

GARANTIE LIMITÉE DISPONIBLE À L'ADRESSE DOMETIC.COM/EN-US/SUPPORT/WARRANTY.

POUR TOUTE QUESTION OU POUR OBTENIR UNE COPIE GRATUITE DE LA GARANTIE LIMITÉE, CONTACTEZ :

DOMETIC CORPORATION
CUSTOMER SUPPORT CENTER

5155 VERDANT DRIVE
ELKHART, INDIANA 46516
1-800-544-4881

Tous les autres pays

Pour toutes réparations ou autres prestations de garantie, veuillez joindre à l'appareil les documents suivants :

- une copie de la facture avec la date d'achat
- un motif de réclamation ou une description du dysfonctionnement

Notez que toute réparation effectuée par une personne non agréée peut présenter un risque de sécurité et annuler la garantie.

12 Mise au rebut



AVIS ! Risque d'endommagement

L'isolation du dispositif de réfrigération contient des gaz inflammables et nécessite des procédures d'élimination spéciales. À la fin de son cycle de vie, remettez le dispositif de réfrigération à un centre de recyclage approprié.



Dans la mesure du possible, veuillez éliminer les emballages dans les conteneurs de déchets recyclables prévus à cet effet. Pour éliminer définitivement le produit, contacter le centre de recyclage le plus proche ou votre revendeur spécialisé afin de vous informer sur les dispositions relatives au retraitement des déchets. Europe : Le produit peut être mis au rebut gratuitement.

13 Données techniques

	NRX0035(E/C), NRX1035S	NRX0050(E/C/T), NRX1050S	NRX0060(E/C/T), NRX1060S
Capacité			
• Compartiment de réfrigération (NRX0035-0130[C], NRX0050-0080[T] et NRX1035-1130[S] uniquement)	27,3 L (7,21 gal)	39,6 L (10,46 gal)	48,9 L (12,92 gal)
• Compartiment de congélation (NRX0035-0130[C], NRX0050-0080[T] et NRX1035-1130[S] uniquement)	4,4 L (1,16 gal)	4,4 L (1,16 gal)	6,1 L (1,61 gal)
• Capacité totale	32 L (8,45 gal)	44 L (11,62 gal)	55 L (14,53 gal)
• Capacité totale (compartiment de congélation retiré)	34 L (8,98 gal)	46 L (12,15 gal)	58 L (15,32 gal)
Tension de raccordement			
• NRX0035-0060(E/C/T)		12 / 24 V $\overline{\text{---}}$	
• NRX1035-1060(S)		100 ... 240 V \sim	
Protection de la batterie d'alimentation (12 V)			
• Tension d'arrêt		10,4 V	

	NRX0035(E/ C), NRX1035S	NRX0050(E/C/ T), NRX1050S	NRX0060(E/C/ T), NRX1060S
• Tension de remise en marche	11,7 V		
Protection de la batterie d'alimentation (24 V)			
• Tension d'arrêt	22,8 V		
• Tension de remise en marche	24,2 V		
Classe climatique	T		
Plage de températures de stockage :			
• Réfrigérateur	0 °C (32 °F) ... 12 °C (53,6 °F)		
• Compartiment de congélation (NRX0035-0130[C], NRX0050-0080[T] et NRX1035-1130[S] uniquement)	-15 °C (5 °F) ... -5 °C (23 °F)		
• Mode congélation (NRX0035-0130[C], NRX0050-0080[T] et NRX1035-1130[S] seulement)	-6 °C (21,2 °F)		
Utilisation prévue à température ambiante	16 °C (60,8 °F) ... 43 °C (109,4 °F)		
Fluide frigorigène	R134a		
Quantité de fluide frigorigène	24 g (0,85 oz)	26 g (0,92 oz)	30 g (1,06 oz)
Potentiel de réchauffement global (GWP)	1430		
Émissions sonores (EN 60704)	40 ... 45 dB(A)	E, C, S : 40 ... 45 dB(A) T : 42 ... 45 dB(A)	
Dimensions H x l x P	525 (20,7) × 380 (15,0) × 355 mm (14,0 in) (sans compresseur ni entretoise) 525 mm (20,7 in) × 380 mm (15,0 in) × 480 mm (18,9 in) (avec compresseur et entretoise)	E, C, S: 525 mm (20,7 in) × 380 mm (15,0 in) × 510 mm (20,1 in) T: 533 mm (21,0 in) × 380 mm (15,0 in) × 510 mm (20,1 in)	E, C, S: 525 mm (20,7 in) × 448 mm (17,6 in) × 537 mm (21,1 in) T: 533 mm (21,0 in) × 448 mm (17,6 in) × 537 mm (21,1 in)
Poids net	E : 13,5 kg (29,77 lb) C : 16 kg (35,28 lb) S : 17 kg (37,48 lb)	E : 14,5 kg (31,97 lb) C : 17,5 kg (38,59 lb) S : 18,5 kg (40,79 lb) T : 15 kg (33,08 lb)	C : 17 kg (37,48 lb) S : 18 kg (39,69 lb) E, T : 16 kg (35,28 lb)
Charge maximale			

	NRX0035(E/C), NRX1035S	NRX0050(E/C/T), NRX1050S	NRX0060(E/C/T), NRX1060S
<ul style="list-style-type: none"> Par étagère de porte Par porte 	4 kg (8,82 lb) E : 4 kg (8,82 lb) C/S : 8 kg (17,64 lb)	4 kg (8,82 lb) E : 4 kg (8,82 lb) C/S : 8 kg (17,64 lb)	5 kg (11,02 lb) E : 5 kg (11,02 lb) C/S : 10 kg (22,05 lb)
	NRX0080(E/C/T), NRX1080S	NRX1115S	NRX1130S
Capacité			
<ul style="list-style-type: none"> Compartiment réfrigérateur (NRX0035–0130[C], NRX0050–0080[T] et NRX1035–1130[S] uniquement) 	68,4 L (18,07 gal)	104,5 L (27,61 gal)	118 L (31,18 gal)
<ul style="list-style-type: none"> Compartiment congélation (NRX0035–0130[C], NRX0050–0080[T] et NRX1035–1130[S] uniquement) 	6,6 L (1,74 gal)	8,2 L (2,17 gal)	8,2 L (2,17 gal)
<ul style="list-style-type: none"> Capacité totale 	75 L (19,82 gal)	113 L (29,85 gal)	126 L (33,29 gal)
<ul style="list-style-type: none"> Capacité totale (compartiment de congélation retiré) 	78 L (20,61 gal)	116 L (30,65 gal)	130 L (34,35 gal)
Tension de raccordement			
<ul style="list-style-type: none"> NRX1080–1130(S) 		12 / 24 V== 100 ... 240 V~	
<ul style="list-style-type: none"> NRX0080–0130(E/C), NRX0080T 		12 / 24 V==	
Protection de la batterie d'alimentation (12 V)			
<ul style="list-style-type: none"> Tension d'arrêt Tension de remise en marche 		10,4 V 11,7 V	
Protection de la batterie d'alimentation (24 V)			
<ul style="list-style-type: none"> Tension d'arrêt Tension de remise en marche 		22,8 V 24,2 V	
Classe climatique		T	
Plage de température de stockage			
<ul style="list-style-type: none"> Réfrigérateur 		0 °C (32 °F) ... 12 °C (53,6 °F)	
<ul style="list-style-type: none"> Compartiment congélation (NRX0035–0130C/T et NRX1035–1130S uniquement) 		–15 °C (5 °F) ... –5 °C (23 °F)	

	NRX0080(E/C/T), NRX1080S	NRX1115S	NRX1130S
• Mode de congélation (NRX0035–0130C/T et NRX1035–1130S uniquement)	–6 °C (21,2 °F)		
Utilisation prévue à température ambiante	16 °C (60,8 °F) ... 43 °C (109,4 °F)		
Fluide frigorigène	R1234yf		
Quantité de fluide frigorigène	E, C, S: 28 g (0,99 oz) T: 32 g (1,13 oz)	32 g (1,13 oz)	32 g (1,13 oz)
Potentiel de réchauffement global (GWP)	4		
Émissions sonores (EN 60704)	E, C, S: 40 ... 45 dB(A) T: 42 ... 45 dB(A)	40 ... 45 dB(A)	
Dimensions H x l x P	E, C, S: 625 (24,6) × 475 (18,7) × 537 mm (21,1 in) 633 (24,9) × 475 (18,7) × 537 mm (21,1 in)	745 (29,3) × 525 (20,7) × 568 mm (22,4 in)	812 (32,0) × 525 (20,7) × 568 mm (22,4 in)
Poids net	C: 20 kg (44,1 lb) S: 21 kg (46,30 lb) E, T: 18 kg (39,69 lb)	C: 26 kg (57,33 lb) S: 27 kg (59,54 lb) E: 24 kg (52,92 lb)	C: 27 kg (59,54 lb) S: 28 kg (61,74 lb) E: 25 kg (55,12 lb)
Charge maximale			
• Par étagère de porte	5 kg (11,02 lb)	6 kg (13,23 lb)	6 kg (13,23 lb)
• Par porte	10 kg (22,05 lb)	E: 12 kg (26,46 lb) C/S: 18 kg (39,69 lb)	E: 12 kg (26,46 lb) C/S: 18 kg (39,69 lb)

14 Mentions légales

Cet appareil est conforme à la partie 15 des règles de la FCC. Le fonctionnement est soumis aux deux conditions suivantes :

- Cet appareil ne doit pas causer d'interférences nuisibles.
- Cet appareil doit accepter toutes les interférences, y compris celles susceptibles de causer un fonctionnement indésirable.

Les changements ou modifications qui ne sont pas expressément approuvés par la partie responsable de la conformité peuvent annuler le droit de l'utilisateur à utiliser l'équipement. Cet équipement a été testé et déclaré conforme aux limites d'un appareil numérique de classe B, conformément à la partie 15 des règles de la FCC. Ces limites sont destinées à fournir une protection raisonnable contre les brouillages préjudiciables dans une installation résidentielle. Cet équipement génère, utilise et peut émettre une énergie de radiofréquence et, s'il n'est pas installé et utilisé conformément aux instructions, causer des brouillages préjudiciables aux communications radio. Cependant, il n'y a aucune garantie que des brouillages ne se produiront pas dans une installation particulière. Si cet équipement provoque des brouillages préjudiciables à la réception des signaux radio ou de télévision, ce qui

peut être déterminé en éteignant et en allumant l'équipement, l'utilisateur est encouragé à essayer de corriger ces brouillages via une ou plusieurs des mesures suivantes :

- Réorienter ou déplacer l'antenne de réception.
- Augmenter la distance entre l'équipement et le récepteur.
- Connecter l'équipement à une prise sur un circuit différent de celui auquel le récepteur est connecté.
- Consulter le revendeur ou un technicien radio/TV expérimenté pour obtenir de l'aide.

Cet appareil est conforme aux normes RSS non soumises à licence d'Industrie Canada. Le fonctionnement est soumis aux deux conditions suivantes :

- Cet appareil ne doit pas causer de brouillages.
- Cet appareil doit supporter tous les brouillages, y compris ceux susceptibles de causer un fonctionnement indésirable de l'appareil. Cet appareil numérique de classe B est conforme à la norme canadienne ICES-3(B)/NBM-3(B).

Español

1	Notas importantes.....	58
2	Explicación de los símbolos.....	58
3	Indicaciones de seguridad.....	59
4	Volumen de entrega.....	62
5	Accesorios.....	62
6	Uso previsto.....	63
7	Descripción técnica.....	64
8	Funcionamiento.....	66
9	Limpieza y mantenimiento.....	74
10	Solución de problemas.....	77
11	Garantía.....	80
12	Eliminación.....	81
13	Datos técnicos.....	81
14	Información legal.....	84

1 Notas importantes

Lea atentamente estas instrucciones y siga las indicaciones, directrices y advertencias incluidas en este manual para asegurarse de que instala, utiliza y mantiene correctamente el producto en todo momento. Estas instrucciones DEBEN conservarse junto con este producto.

Al utilizar el producto, usted confirma que ha leído cuidadosamente todas las instrucciones, directrices y advertencias, y que entiende y acepta cumplir los términos y condiciones aquí establecidos. Usted se compromete a utilizar este producto solo para el propósito y la aplicación previstos y de acuerdo con las instrucciones, directrices y advertencias establecidas en este manual del producto, así como de acuerdo con todas las leyes y reglamentos aplicables. La no lectura y observación de las instrucciones y advertencias aquí expuestas puede causarle lesiones a usted o a terceros, daños en el producto o daños en otras propiedades cercanas. Este manual del producto, incluyendo las instrucciones, directrices y advertencias, y la documentación relacionada, pueden estar sujetos a cambios y actualizaciones. Para obtener información actualizada sobre el producto, visite documents.dometic.com.

2 Explicación de los símbolos

Una palabra de advertencia señalará los mensajes de seguridad y de daño material, y también indicará el grado o nivel de gravedad del riesgo.



¡ADVERTENCIA!

Indica una situación peligrosa que, de no evitarse, puede ocasionar la muerte o lesiones graves.



¡ATENCIÓN!

Indica una situación peligrosa que, de no evitarse, puede ocasionar lesiones moderadas o leves.



¡AVISO!

Indica una situación peligrosa que, de no evitarse, puede provocar daños materiales.



NOTA Información adicional para el manejo del producto.

3 Indicaciones de seguridad

Seguridad general



¡ADVERTENCIA! Riesgo de electrocución

- > Únicamente personal cualificado podrá realizar la instalación y la retirada de la nevera.
- > La instalación en recintos húmedos y zonas expuestas al agua deberá realizarla exclusivamente un técnico especializado.
- > Si instala la nevera bajo una carpa o similares, asegúrese de que esté protegida de la lluvia y las salpicaduras de agua.
- > No ponga la nevera en funcionamiento si presenta desperfectos visibles.
- > Solo personal cualificado está autorizado a realizar reparaciones en la nevera. Las reparaciones que se realicen incorrectamente pueden dar lugar a situaciones de considerable peligro o pueden producir daños considerables en la nevera.
- > Si se daña el cable de conexión de esta nevera, el fabricante, su servicio de atención al cliente o una persona cualificada debe reemplazarlo para evitar así posibles peligros.
- > Cuando ubique la nevera, asegúrese de que el cable de suministro eléctrico no quede atrapado ni resulte dañado.
- > No coloque tomas múltiples de corriente portátiles ni fuentes de alimentación portátiles detrás de la nevera.
- > No toque los cables sin aislamiento directamente con las manos.
- > Conecte el aparato a enchufes que garanticen una conexión correcta, sobre todo cuando el aparato requiera una toma de tierra.
- > En caso de funcionamiento conectado a la red eléctrica, asegúrese de que el suministro de energía eléctrica esté protegido con un interruptor diferencial (RCCB) o con un interruptor de falla a tierra (GFCI). La instalación debe efectuarse en conformidad con todas las normas de instalación aplicables, especialmente en áreas potencialmente húmedas.



¡ADVERTENCIA! Peligro de incendio

- > El circuito de refrigeración contiene una pequeña cantidad de refrigerante no contaminante pero . No daña la capa de ozono ni aumenta el efecto invernadero. Toda fuga de refrigerante puede incendiarse.
- > No utilice ni almacene la nevera en espacios cerrados en los que no haya circulación de aire o solo muy poca.
- > Mantenga el hueco de instalación de la nevera libre de cualquier componente eléctrico y fuentes de luz que produzcan chispas o arcos voltaicos, ya sea durante un funcionamiento normal o anormal (por ejemplo, relés o cajas de fusibles).
- > El aislamiento de la nevera contiene ciclopentano y requiere una gestión de residuos especial. Deposite la nevera en un centro de reciclaje adecuado al finalizar su vida útil.



¡ADVERTENCIA! Peligro de explosión

No guarde en la nevera sustancias explosivas, tales como latas de aerosol con gases propelentes.



¡ADVERTENCIA! Riesgo para la salud

- > Esta nevera no está diseñada para que la usen personas (incluidos niños) con las capacidades físicas, sensoriales o mentales limitadas o sin la experiencia y los conocimientos pertinentes, a menos que haya una persona responsable de la seguridad que supervise adecuadamente o explique detalladamente su uso.
- > Los menores de 3 a 8 años pueden introducir y extraer productos de la nevera.
- > Los menores no deberán limpiar ni realizar el mantenimiento de usuario sin la debida supervisión.

- > Controle a los niños para asegurarse de que no jueguen con la nevera.



¡ADVERTENCIA! Riesgo de atrapamiento infantil

- > Asegúrese de montar y asegurar las bandejas de tal manera que los niños no puedan quedar encerrados dentro de la nevera.
- > Antes de desechar su vieja nevera:
 - Desmonte los cajones.
 - Deje las bandejas dentro de la nevera para que los niños no puedan entrar en ella.
- > Desmonte las puertas.



¡ATENCIÓN! Riesgo para la salud

- > Para evitar peligros causados por la inestabilidad de la nevera, esta deberá fijarse tal como se indica en las instrucciones de instalación.
- > Asegúrese de que las aberturas de ventilación de la nevera y de su carcasa o de la estructura en la que esté empotrada no estén nunca obstruidas.
- > No utilice dispositivos mecánicos u otros medios para acelerar el proceso de descongelación, salvo los recomendados por el fabricante.
- > No abra ni dañe el circuito de refrigerante bajo ninguna circunstancia.
- > No utilice ningún aparato eléctrico dentro de la nevera, a no ser que el aparato en cuestión haya sido recomendado para ello por el fabricante del mismo.



¡ATENCIÓN! Peligro de lesiones

- > No utilice ni almacene sustancias inflamables en el interior de la nevera ni cerca de ella.
- > No coloque objetos encima de la nevera ni apoyados en ella.
- > No haga modificaciones en esta nevera.



¡AVISO! Peligro de daños

- > Seleccione únicamente el funcionamiento con corriente continua si el motor del vehículo está en marcha y suministra suficiente tensión, o si está utilizando un controlador de batería.
- > Si está presente, mantenga siempre limpio el drenaje de condensado.
- > Si la nevera tiene rejillas de ventilación, no emplee limpiadores de agua a alta presión en el área de la rejilla de ventilación al limpiar el vehículo.
- > La nevera no debe quedar expuesta a la lluvia.
- > No desenchufe nunca el cable de conexión tirando de él.

Seguridad durante el funcionamiento de la nevera



¡PELIGRO! Riesgo de electrocución

- Antes de poner la nevera en funcionamiento, asegúrese de que el cable de alimentación y la clavija de enchufe estén secos.



¡ATENCIÓN! Riesgo para la salud

- > Asegúrese de guardar en la nevera solamente aquellos productos que puedan enfriarse a la temperatura seleccionada.
- > Limpie periódicamente las superficies que puedan estar en contacto con alimentos y los sistemas de desagüe accesibles.
- > Guarde la carne y el pescado crudos en recipientes adecuados dentro de la nevera para que no entren en contacto con otros alimentos ni goteen sobre ellos.

- > Mantener la puerta abierta durante largos periodos de tiempo puede producir un incremento considerable de la temperatura en los compartimentos de la nevera. Si deja la nevera vacía durante un período prolongado:
 - Apague la nevera.
 - Descongele la nevera.
 - Limpie y seque la nevera.
 - Deje la puerta abierta para evitar que se genere moho dentro de la nevera. Si está disponible, coloque la puerta de la nevera y la puerta del congelador en la posición de invierno.



¡ATENCIÓN! Peligro de lesiones

- > No introduzca la mano en el tope de la tapa.
- > Cierre y bloquee la puerta de la nevera antes de iniciar un viaje.
- > El sistema de refrigeración situado en la parte trasera de la nevera se calienta mucho durante el funcionamiento. Si la nevera cuenta con rejillas de ventilación, protéjase del contacto con las partes calientes al retirar las rejillas de ventilación.
- > La puerta de la nevera o la del compartimento congelador pueden desprenderse si no se utilizan correctamente. Presione las puertas hasta que oiga claramente un clic en la parte superior e inferior.



¡AVISO! Peligro de daños

- > No se apoye sobre la puerta abierta de la nevera.
- > Coloque los objetos más pesados, como botellas o latas, en la puerta de la nevera, en el compartimento de verduras o en la repisa inferior.
- > Si la nevera dispone de apertura de puerta por ambos lados y esta no queda bien cerrada en el lado opuesto, empuje en ese lado por la parte superior e inferior hasta que quede asegurada en su sitio.
- > **¡Peligro de sobrecalentamiento!** Asegúrese de que quede garantizada en todo momento una evacuación adecuada del calor que se genera durante el funcionamiento. Asegúrese de que la nevera guarde la suficiente distancia respecto a paredes u objetos, de forma que el aire pueda circular.
- > No llene el interior con líquidos ni hielo.
- > Proteja la nevera y los cables del calor y la humedad.
- > No desenchufe nunca el cable de conexión tirando de él.



NOTA

- > Si el sistema de gestión de batería de su vehículo apaga la nevera para proteger la batería, póngase en contacto con el fabricante del vehículo.
- > Para temperaturas ambiente de entre 15 °C (59 °F) ... 25 °C (77 °F), seleccione el ajuste de temperatura medio.
- > Si la puerta no queda bien cerrada en el lado opuesto, empuje en ese lado por la parte superior e inferior hasta que quede asegurada en su sitio.
- > Tenga en cuenta lo siguiente para no desperdiciar alimentos:
 - Procure que las oscilaciones de temperatura sean mínimas. Abra el congelador únicamente el tiempo y las veces que sea necesario. Almacene los productos alimenticios de manera que no impidan una buena circulación del aire.
 - Asegúrese de guardar en la nevera solamente aquellos productos que puedan enfriarse a la temperatura seleccionada.
 - Almacene los distintos tipos de productos alimenticios tal como se muestra en las figuras.
 - Si la temperatura es ajustable: Ajuste la temperatura a la cantidad y el tipo de productos alimenticios.
 - Los productos alimenticios pueden absorber o desprender sabores y olores con facilidad. Almacene siempre los productos alimenticios envueltos o cerrados en recipientes o botellas.

4 Volumen de entrega

Cantidad	Descripción
1	Nevera de compresor
1	Codo de drenaje
1	Guía rápida
1	Instrucciones de uso (solo en línea)
1	Instrucciones de montaje

5 Accesorios

Disponibles como artículos opcionales (no incluidos en el volumen de entrega):

Descripción	N.º de art.
Bisagra de arrastre	9620012939
Marco de fijación incluido bastidor inferior	
• NRX0035, NRX1035, NRX0050, NRX1050	9620012877
• NRX0060, NRX1060	9620012881
• NRX0080, NRX1080	9620012882
• NRX0115, NRX1115	9620012878
• NRX0130, NRX1130	9620012876
Marco de fijación incluido bastidor inferior (negro)	
• NRX0035, NRX1035, NRX0050, NRX1050	9620012874
• NRX0060, NRX1060	9620012875
• NRX0080, NRX1080	9620012880
• NRX0115, NRX1115	9620012879
• NRX0130, NRX1130	9620012883
Repisa de repuesto para sustituir el compartimento para congelados	
• NRX0035, NRX1035, NRX0050, NRX1050	9620012933
• NRX0060, NRX1060	9620012938
• NRX0080, NRX1080	9620012935
• NRX0115, NRX1115, NRX0130, NRX1130	9620012932

Descripción	N.º de art.
Compartimento para congelados	
• NRX0035, NRX1035, NRX0050, NRX1050	9620012931
• NRX0060, NRX1060	9620012936
• NRX0080, NRX1080	9620012934
• NRX0115, NRX1115, NRX0130, NRX1130	9620012937
Adaptador de CA/CC	9620013451

6 Uso previsto

La nevera está diseñada para:

- Instalación en caravanas, autocaravanas, embarcaciones y camiones
- Refrigerar y guardar comida
- **Solo NRX0035–0130(C), NRX0050–0080(T) y NRX1035–1130(S):** Guardar comida precongelada
- Uso en interiores

Esta nevera no está diseñada para usos comerciales, minoristas o domésticos.

La nevera **no** es adecuada para:

- Almacenar medicamentos
- Almacenar sustancias corrosivas o sustancias que contengan disolventes
- Alimentos de congelación rápida
- Uso en exteriores

Cuando se utilice en embarcaciones, el dispositivo debe instalarse en una sala de descanso y no en la cubierta abierta.

El compartimento para congelados es adecuado para guardar productos precongelados, así como para guardar o hacer helados y cubitos de hielo. No es adecuada para congelar alimentos que no estaban congelados con anterioridad.

La nevera está diseñada para instalarse en un armario o en un nicho de instalación.

Se proporciona un rendimiento óptimo de refrigeración a temperaturas ambiente de entre 16 °C (60,8 °F) ... 43 °C (109,4 °F) y con una humedad máxima del 90 % .

Este producto solo es apto para el uso previsto y la aplicación de acuerdo con estas instrucciones.

Este manual proporciona la información necesaria para la correcta instalación y/o funcionamiento del producto. Una instalación deficiente o un uso y mantenimiento inadecuados conllevan un rendimiento insatisfactorio y posibles fallos.

El fabricante no se hace responsable de ninguna lesión o daño en el producto ocasionados por:

- Una instalación, un montaje o una conexión incorrectos, incluido un exceso de tensión
- Un mantenimiento incorrecto o el uso de piezas de recambio distintas de las originales proporcionadas por el fabricante
- Modificaciones realizadas en el producto sin el expreso consentimiento del fabricante
- Uso con una finalidad distinta de la descrita en las instrucciones

Dometic se reserva el derecho de cambiar la apariencia y las especificaciones del producto.

7 Descripción técnica

Este aparato es una nevera de compresor.

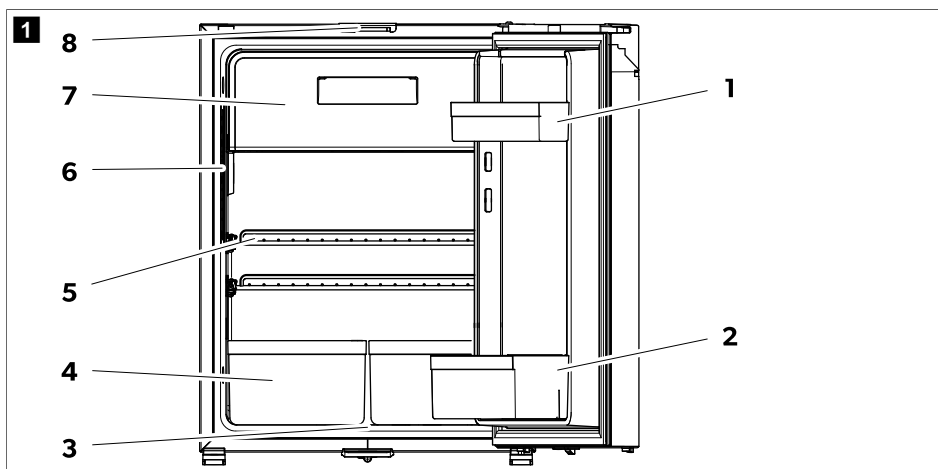
NRX1035-1130(S): La nevera está diseñada para funcionar con distintos tipos de alimentación y fuentes de corriente alterna o continua.

NRX0035-0130(C), NRX0050-0080(T) y NRX1035-1130(S): El modelo viene equipado de fábrica con un compartimento para congelados que se puede retirar y volver a instalar.

La puerta de la nevera dispone de un mecanismo de bloqueo que sirve como seguro durante los trayectos.

Todos los materiales utilizados en la nevera son aptos para el uso con productos alimenticios.

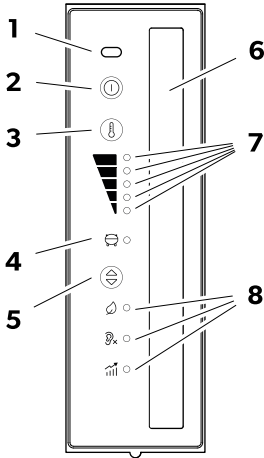
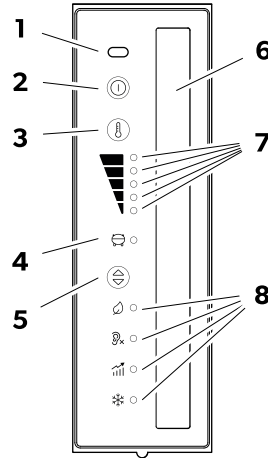
Descripción del aparato








Núm.	Explicación
1	Repisa de puerta (solo NRX0035-0130[C], NRX0050-0080[T], NRX1035-1130[S] y NRX0080-0130[E])
2	Repisa para botellas
3	Purga de condensado
4	Verdulero (solo NRX0035-0130[C], NRX0050-0080[T] y NRX1035-1130[S])
5	Repisa interior
6	Panel de control con pantalla
7	Compartimento para congelados (solo NRX0035-0130[C], NRX0050-0080[T] y NRX1035-1130[S])
8	Pestillo para ventilación

Elementos de control y de visualización

2 NRX0035 – 0130 (E)

NRX0050 – 0080 (T),
NRX0035 – 0130 (C),
NRX1035 – 1130 (S)

Núm.	Explicación
1	Sensor infrarrojo de apertura de puerta
2	Ⓞ tecla ON/OFF
3	Ⓜ Botón de ajuste del nivel de refrigeración
4	Indicador LED de estado y error del compresor
5	Ⓢ Botón de modo de funcionamiento
6	Luz interior
7	Indicadores LED del nivel de refrigeración <ul style="list-style-type: none">  Nivel de refrigeración 5  Nivel de refrigeración 4  Nivel de refrigeración 3  Nivel de refrigeración 2  Nivel de refrigeración 1
8	Indicadores LED del modo de funcionamiento





Indicador LED de estado y error del compresor

El indicador LED de estado y error del compresor muestra el estado de funcionamiento del compresor o indica un error:

Color	Descripción
Blanco	Compresor en funcionamiento
Naranja	Compresor apagado
Naranja (parpadeante)	Error (consulte el capítulo Indicación de error en la página 80)

Indicadores LED del modo de funcionamiento

Los indicadores LED del modo de funcionamiento muestran las siguientes opciones de ajuste:

Símbolo	Descripción
	Modo ECO: Funcionamiento con consumo de energía reducido. Nivel de refrigeración 1 – 3
	Modo QUIET: Funcionamiento con un nivel de ruido reducido. Nivel de refrigeración 1 – 4
	Modo PERFORMANCE: Nivel de refrigeración 1 – 5
	Modo FREEZER (solo NRX0035-0130[C], NRX0050-0080[T] y NRX1035-1130[S]): Funcionamiento con compartimento para congelados retirado. Enfría el interior íntegro del frigorífico a -6 °C (21,2 °F).

8 Funcionamiento

8.1 Antes del primer uso

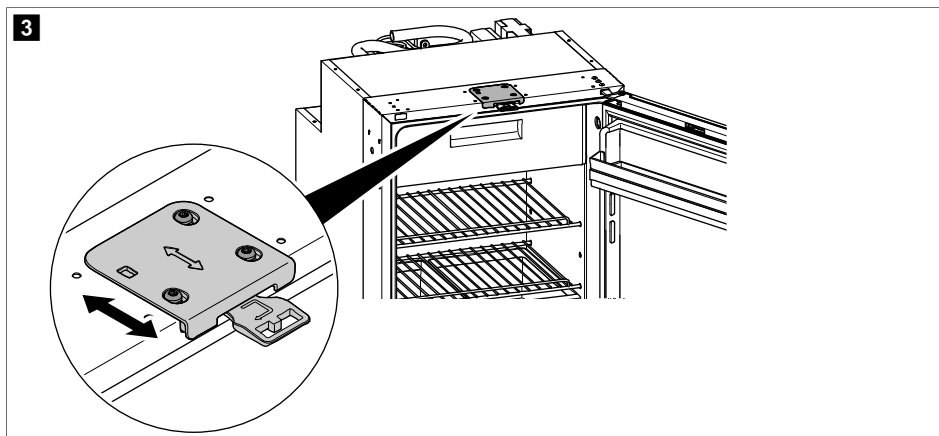


NOTA

- > No conserve alimentos en la nevera durante las primeras 4 horas tras la conexión.
- > Durante la primera puesta en marcha de la nevera se pueden producir olores que desaparecen después de unas horas. Ventile bien el habitáculo.
- > La potencia de refrigeración puede verse afectada por:
 - la temperatura ambiente (p.ej., si el vehículo está expuesto a la luz directa del sol)
 - la cantidad de alimentos a refrigerar
 - la frecuencia de apertura de la puerta de la nevera
- > Por motivos de higiene, debe limpiar el interior de la nevera (véase Limpieza y mantenimiento en la página 74).
- > Aparque el vehículo de manera que quede nivelado, especialmente durante la puesta en funcionamiento y llenado de la nevera antes de comenzar un viaje.

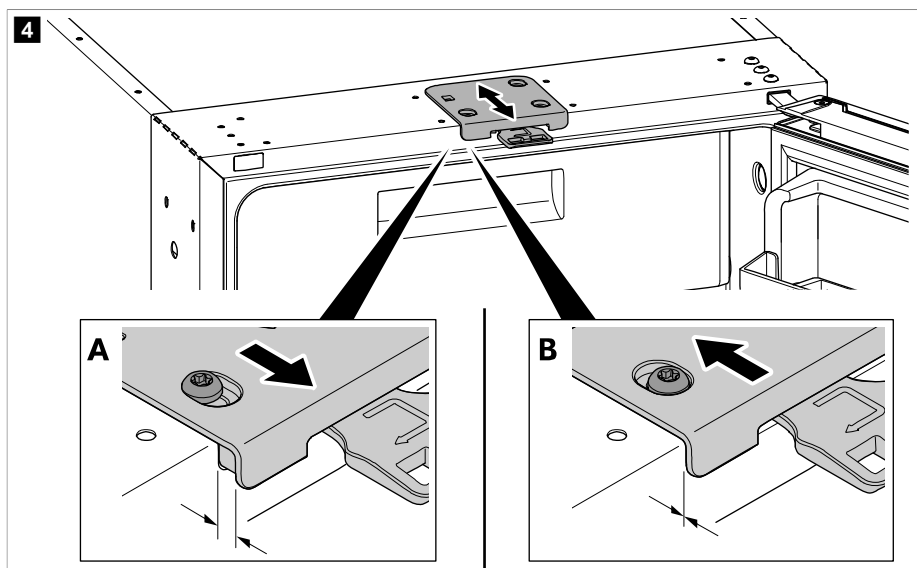
8.1.1 Ajuste del pestillo de la puerta

El pestillo de la puerta en la parte superior de la nevera se puede ajustar para regular la anchura de cierre de la puerta.



i **NOTA** Compruebe si el pestillo de la puerta ajustable está instalado. Si es necesario, solicite el pestillo de la puerta ajustable (dometic.com) y sustituya el pestillo fijo por este.

> El pestillo de la puerta se establece en la posición **A** de fábrica. Mueva el pestillo a la posición **B**.



i **NOTA** Si el pestillo está en la posición **B**, asegúrese de que la puerta encaja correctamente al cerrarla (consulte el capítulo Cierre seguro de la puerta de la nevera en la página 69).

8.2 Información para la conservación de alimentos



¡ATENCIÓN! Riesgo para la salud

Si la nevera está expuesta a una temperatura ambiente inferior a 10 °C (50 °F) durante un periodo de tiempo prolongado, la temperatura del compartimento para congelados no se podrá regular con garantías. Esto puede provocar un aumento de la temperatura del compartimento para congelados y la descongelación de los productos almacenados.

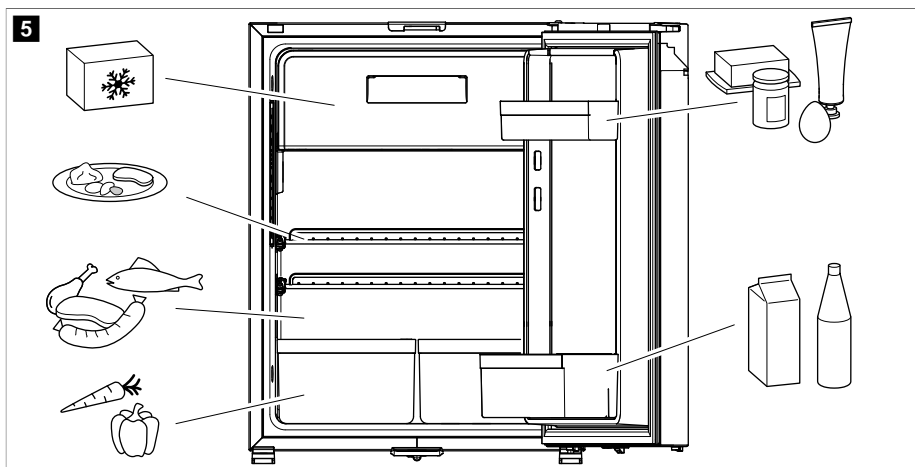


¡AVISO! Peligro de daños

- > Tenga en cuenta la carga máxima permitida para la puerta y por repisa de puerta cuando llene la nevera (consulte Datos técnicos en la página 81).
- > No guarde bebidas con gas en el compartimento para congelados.

Tenga en cuenta lo siguiente para no desperdiciar alimentos:

- Procure que las oscilaciones de temperatura sean mínimas. Abra la nevera únicamente el tiempo y las veces que sea necesario. Almacene los productos alimenticios de manera que no impidan una buena circulación del aire.
 - Ajuste la temperatura a la cantidad y el tipo de productos alimenticios.
 - Almacene los distintos tipos de productos alimenticios tal como se muestra en las figuras.
 - Los productos alimenticios pueden absorber o desprender sabores y olores con facilidad. Almacene siempre los productos alimenticios envueltos o cerrados en recipientes o botellas.
- > Almacene los alimentos tal y como se indica.



8.3 Ahorro de energía

- Abra la nevera únicamente el tiempo y las veces que sea necesario.
- Antes de introducir alimentos calientes en el aparato, deje que se enfríen.
- Descongele la nevera cuando se forme una capa de escarcha.
- No regule una temperatura innecesariamente baja en el interior.
- Para un consumo de energía óptimo, coloque las repisas y cajones en la misma posición que ocupan en el momento de la entrega.
- Compruebe periódicamente que la junta de la puerta cierra correctamente.
- Elimine regularmente el polvo y la suciedad del condensador.

8.4 Uso de la puerta de la nevera



¡ATENCIÓN! Peligro de lesiones

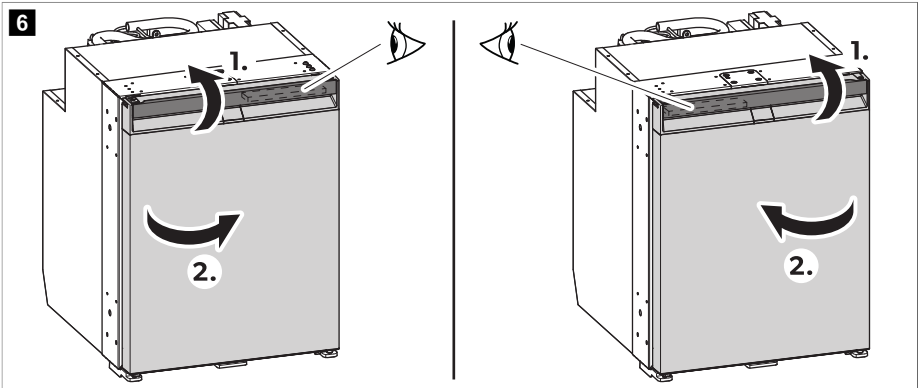
La puerta de la nevera o la del compartimento para congelados pueden desprenderse si no se utilizan correctamente.

8.4.1 Apertura de la puerta de la nevera



NOTA Asegúrese de abrir tirando por el lado opuesto al lado de cierre de la puerta. Observe la posición respectiva del elemento deslizante. Consulte las instrucciones de montaje asociadas.

> Para abrir la puerta de la nevera, proceda como se muestra.



8.4.2 Cierre seguro de la puerta de la nevera



¡ATENCIÓN! Peligro de lesiones

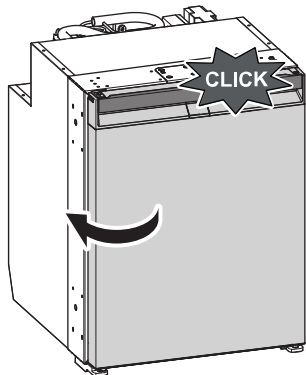
Si la puerta no queda bien asegurada, empuje con cuidado en la parte superior e inferior de la puerta en ese lado hasta que quede asegurada en su sitio.



NOTA La puerta de la nevera dispone de un mecanismo de cierre que también se utiliza como protección durante los desplazamientos.

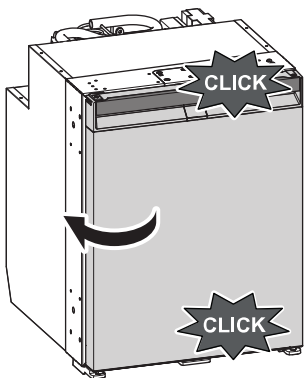
- > NRX0035-0130(E): Presione la puerta hasta que oiga claramente un clic en la parte superior.

7 NRX0035 – 0130 (E)



- > NRX0035-0130(C), NRX0050-0080(T) y NRX1035-1130(S) : Presione la puerta hasta que oiga claramente un clic en la parte superior e inferior.

8 NRX0050 – 0080 (T), NRX0035 – 0130 (C), NRX1035 – 1130 (S)



- ✓ Ahora la puerta está cerrada y bloqueada.

8.5 Encendido y apagado



NOTA Apague siempre la nevera si no se va a utilizar durante un período de tiempo prolongado.


- > Para encender, mantenga pulsado el botón  durante al menos 2 s segundos.
- ✓ La nevera se enciende con el último nivel de refrigeración y modo de funcionamiento seleccionados.

- > Para apagar, mantenga pulsado el botón  durante al menos 2 s segundos.

8.6 Ajuste de los modos de funcionamiento



NOTA Cuando se utilizan los modos ECO, PERFORMANCE o FREEZER, el sistema permanece el modo seleccionado hasta que se realice un cambio.

- > Para establecer el modo de funcionamiento, pulse el botón  varias veces hasta que se ilumine el indicador LED del modo de funcionamiento deseado.

Están disponibles los siguientes modos de funcionamiento:

Uso del modo ECO

Con el modo ECO activado, la nevera funciona con un consumo de energía reducido en los niveles de refrigeración 1 a 3.

- ✓ El indicador LED del modo ECO  y el indicador LED del nivel de refrigeración seleccionado se iluminan.

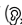
Uso del modo QUIET

Con el modo QUIET activado, la nevera funciona con un nivel de ruido reducido en los niveles de refrigeración 1 a 4.



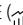
NOTA

- > El modo QUIET no está disponible si la nevera está funcionando en modo FREEZER.
- > Cuando se selecciona el modo QUIET, la nevera mantiene este modo durante 8 h y después vuelve al modo seleccionado anteriormente (ECO o PERFORMANCE).

- ✓ El indicador LED del modo QUIET  y el indicador LED del nivel de refrigeración seleccionado se iluminan.

Uso del modo PERFORMANCE

Con el modo PERFORMANCE activado, la nevera funciona en modo estándar en los niveles de refrigeración 1 a 5.


- ✓ El indicador LED del modo PERFORMANCE  y el indicador LED del nivel de refrigeración seleccionado se iluminan.

Uso del modo FREEZER

Con el modo FREEZER activado, el interior de la nevera se enfría a -6°C ($21,2^{\circ}\text{F}$).



NOTA Retire el compartimento para congelados si utiliza el modo FREEZER.

- ✓ El indicador LED del modo FREEZER  y todos los indicadores LED de nivel de refrigeración se iluminan de manera continua.

8.7 Ajuste del nivel de refrigeración

- > Para ajustar el nivel de refrigeración, pulse el botón  varias veces hasta alcanzar el nivel de refrigeración deseado.

8.8 Cambio de posición de las repisas



¡ADVERTENCIA! Riesgo de atrapamiento infantil

NRX0060-0130 y NRX1060-1130: Todas las repisas están fijadas en su lugar para evitar que los niños se suban al interior de la nevera.

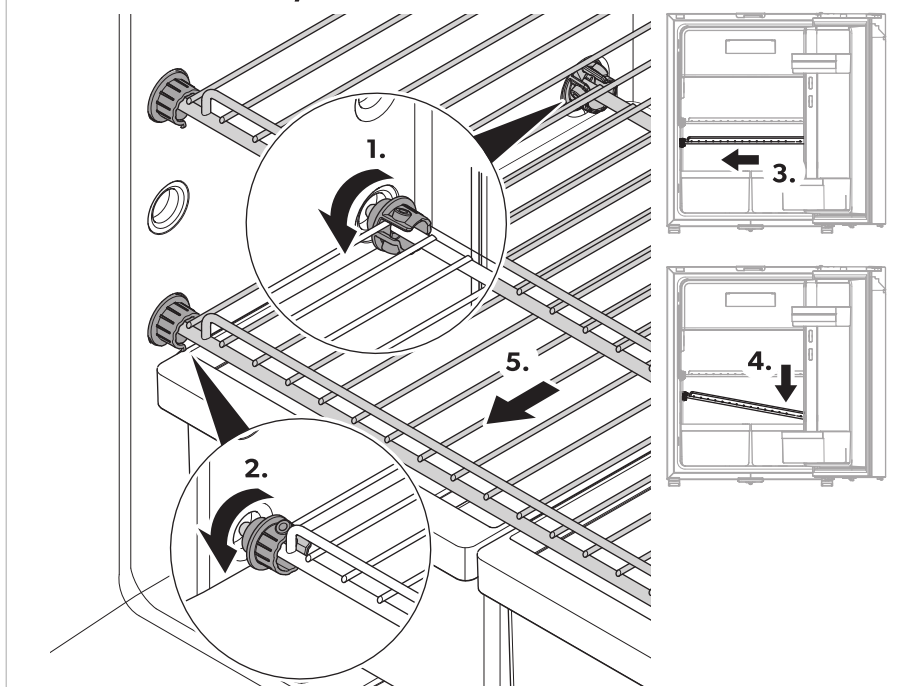
- > Retire las repisas solamente para limpiar.
- > Vuelva a colocar las repisas y asegúrelas.



NOTA Antes de cambiar las repisas de posición, retire el compartimento para congelados para facilitar el acceso a los soportes traseros de las repisas.

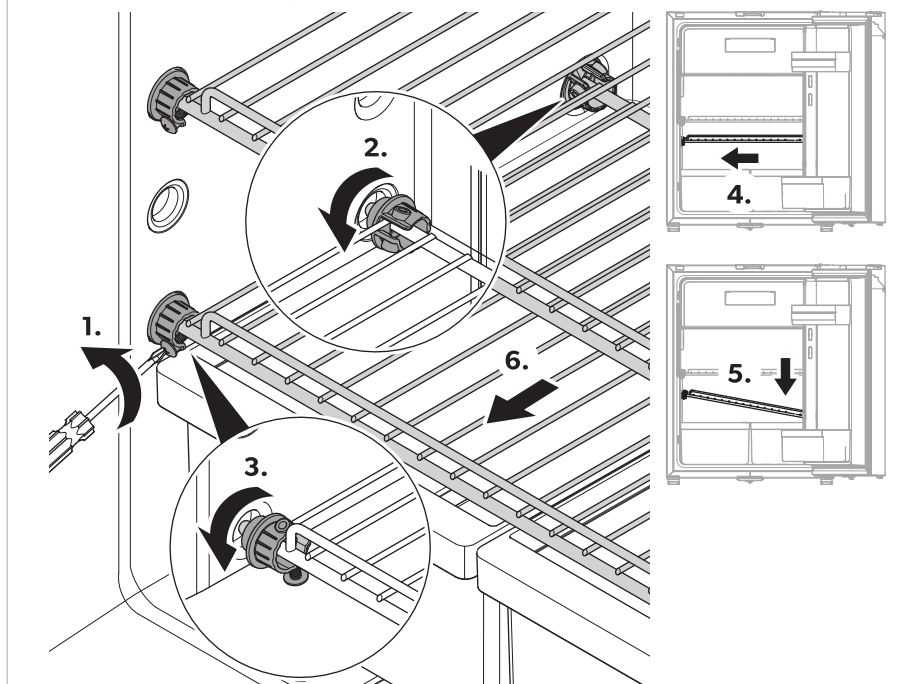
- > **NRX0035-0050:** para cambiar las repisas de posición, proceda como se muestra.

9 NRX0035 – 0050, NRX1035 – 1050



- > **NRX0035-0050:** Para cambiar las repisas de posición, proceda como se muestra.

10 NRX0060 – 0130, NRX1060 – 1130



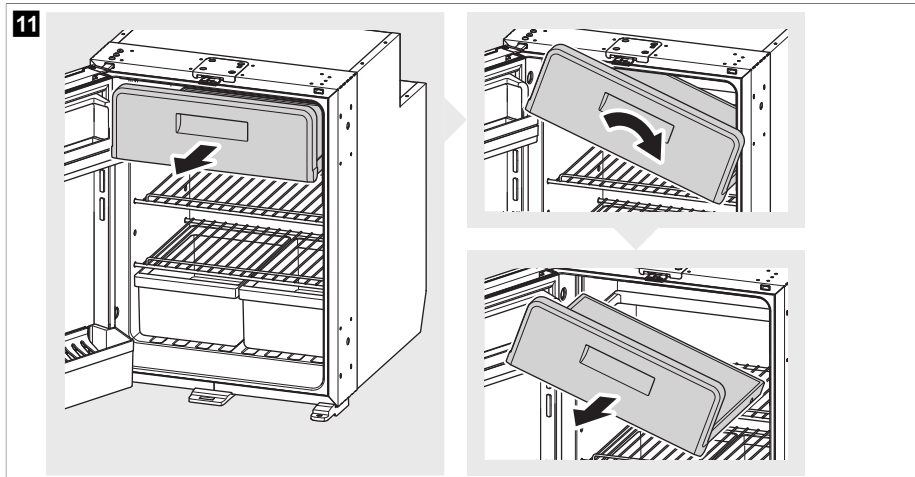
8.9 Extracción del compartimento para congelados



¡AVISO! Peligro de daños

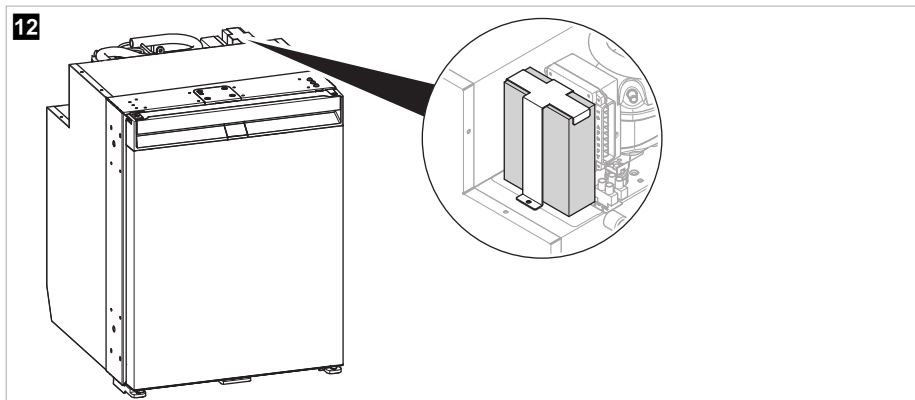
- > Cierre la puerta del compartimento para congelados antes de retirarlo.
- > Sujete el compartimento para congelados por la parte inferior. No tire de la puerta del compartimento para congelados.
- > Guarde el compartimento para congelados en un lugar seco y seguro.

- > Para retirar el compartimento para congelados, proceda como se muestra.



8.10 Instalación del adaptador de CA/CC

- > Para instalar el adaptador de CA/CC (accesorios), proceda como se muestra.



9 Limpieza y mantenimiento



¡ADVERTENCIA! Riesgo de electrocución

Antes de proceder a la limpieza o mantenimiento de la nevera, desconéctela del suministro eléctrico.



¡AVISO! Peligro de daños

- > No utilice limpiadores abrasivos ni objetos duros para limpiar el aparato.
- > No utilice herramientas duras ni puntiagudas para retirar hielo o despegar objetos congelados.
- > Asegúrese de que no gotee agua en las juntas. Ello puede dañar el sistema electrónico.



¡AVISO! Peligro de daños

Únicamente el fabricante, un técnico de mantenimiento autorizado o una persona con cualificación similar puede cambiar la fuente luminosa con el fin de evitar peligros.

- > Limpie el interior y el exterior de la nevera con un paño húmedo periódicamente y siempre que esté sucio. Después de haberla limpiado, seque la nevera con un paño.
- > Compruebe regularmente el orificio de drenaje del agua de condensación.
Si es necesario, limpie el orificio de drenaje del agua de condensación. Si se atasca, el agua de deshielo se acumula en la parte inferior de la nevera.
- > Limpie con frecuencia el polvo y la suciedad del condensador con un paño húmedo.

Circuito de refrigeración

El circuito de refrigeración no requiere mantenimiento.

Descongelar la nevera



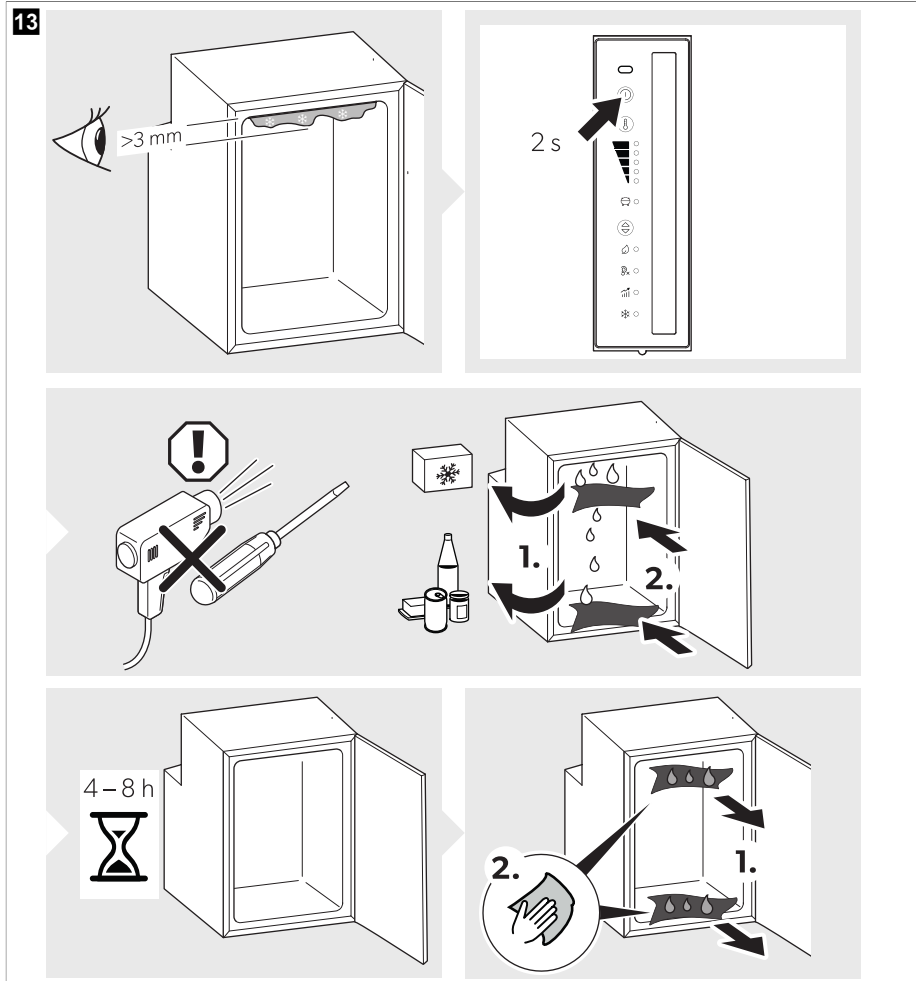
¡AVISO! Peligro de daños

No utilice herramientas mecánicas ni de otra clase para acelerar el deshielo.



NOTA Con el tiempo, se forma escarcha en la pared trasera del interior de la nevera. Cuando esa capa de escarcha sea de unos 3 mm (0,1 in), se debe descongelar la nevera.

> Para descongelar la nevera, proceda como se muestra.



Colocación de la puerta de la nevera en la posición de almacenaje



¡ATENCIÓN! Peligro de lesiones

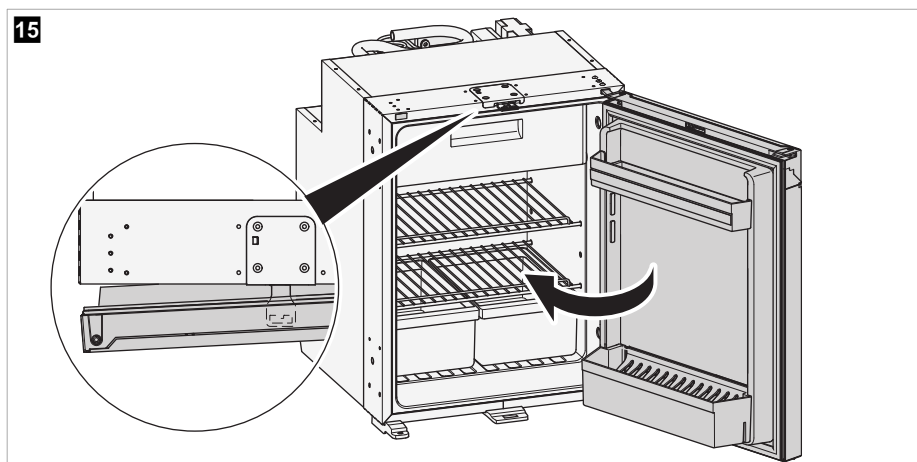
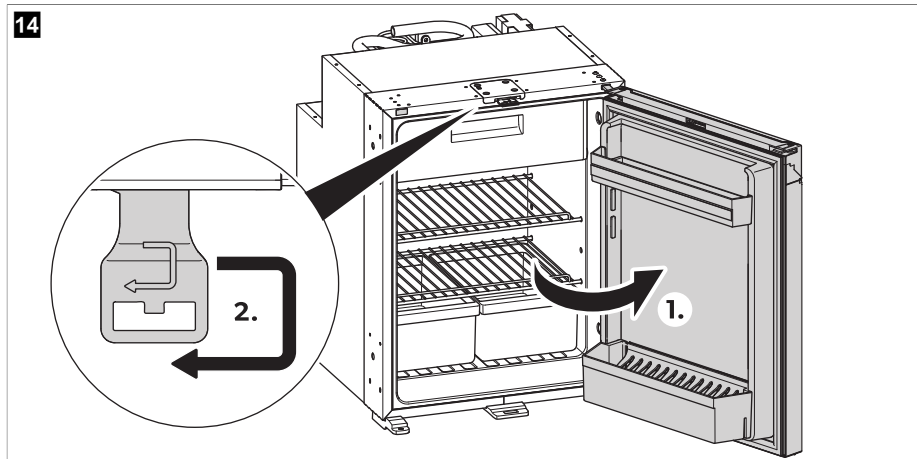
La posición de almacenaje no se puede utilizar durante el trayecto.



NOTA Si no va a utilizar la nevera durante un periodo de tiempo prolongado, coloque la puerta en la posición de almacenaje. De esta forma, se evita que se forme moho.

> Descongele la nevera (véase Descongelar la nevera en la página 75).

> Coloque la puerta de la nevera en la posición de almacenaje tal como se muestra.

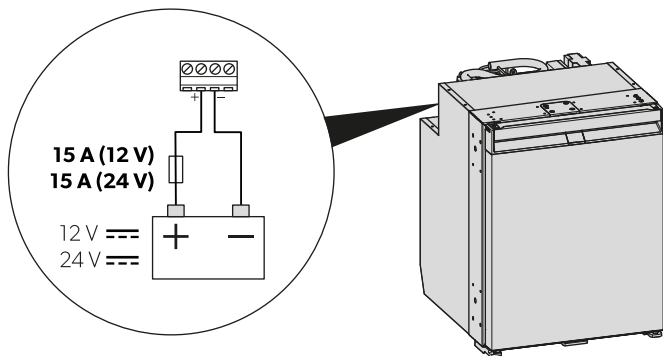



10 Solución de problemas



NOTA Para que las unidades de consumo de 12 V funcionen de manera segura en la caravana durante la conducción, el vehículo tractor deberá suministrar la tensión suficiente. En algunos vehículos, el sistema de gestión de baterías puede desconectar automáticamente las unidades consumidoras para proteger la batería. Consulte al fabricante de su vehículo.

16



Fallo	Posible causa	Propuesta de solución
La nevera no funciona.	El fusible del cable de corriente continua está averiado.	> Sustituya el fusible ( fig. 16 en la página 78).
	Se ha fundido el fusible del vehículo.	> Sustituya el fusible del vehículo. Consulte las instrucciones de uso de su vehículo.
	La batería del vehículo está descargada.	> Compruebe la batería del vehículo y cárguela.
	El encendido no está conectado.	> Conecte el encendido.
	La temperatura del compresor es demasiado baja (< 0 °C (32 °F)).	> Cierre/cubra completamente todas las rejillas de ventilación externas con material aislante.
	La nevera se apaga automáticamente si el voltaje es insuficiente. (Tensión de desconexión: 10,4 V ⇒)	> Cargue la batería. La nevera se pondrá en marcha de nuevo automáticamente. (Tensión de reconexión: 11,7 V ⇒)
Mala refrigeración, aumento de la temperatura interior. El compresor funciona continuamente.	La ventilación alrededor del grupo es insuficiente.	> Compruebe si la rejilla de ventilación está obstruida. > Cambie la ubicación de la nevera.
	Las paredes interiores están heladas.	> Compruebe si la puerta de la nevera cierra correctamente. > Asegúrese de que la junta de la nevera encaja correctamente y no está dañada. > Descongele la nevera (véase Descongelar la nevera en la página 75).
	La temperatura está regulada a un valor demasiado alto.	> Regule una temperatura más baja.
	La temperatura ambiente es demasiado alta.	> Retire la rejilla de ventilación provisionalmente para que el aire caliente salga más rápido.
	Demasiados alimentos depositados en la nevera al mismo tiempo.	> Retire algunos alimentos.

Fallo	Posible causa	Propuesta de solución
	Demasiados alimentos calientes depositados en la nevera al mismo tiempo.	> Retire los alimentos calientes y déjelos enfriar antes de guardarlos en la nevera.
	La nevera no lleva suficiente tiempo en funcionamiento.	> Vuelva a comprobar la temperatura después de 4 h / 5 h .
	El condensador está sucio.	> Limpie el condensador (consulte el capítulo Limpieza y mantenimiento en la página 74).
	El ventilador está averiado.	> Póngase en contacto con un técnico de mantenimiento autorizado.
Mala refrigeración, aumento de la temperatura interior. El compresor no funciona muchas veces.	La capacidad de la batería está agotada.	> Cargue la batería.
Mala refrigeración, aumento de la temperatura interior. El compresor no funciona (conexión a batería).	Hay una interrupción en la conexión entre la batería y el sistema electrónico.	> Establezca la conexión.
	El interruptor principal está averiado (si está instalado).	> Sustituya el interruptor principal.
	Se ha quemado el fusible de la línea de suministro (si está instalado).	> Sustituya el fusible de la línea de suministro.
	La tensión de la batería es demasiado baja.	> Cargue la batería.
	La capacidad de la batería es demasiado baja.	> Cambie la batería.
	Los cables están sueltos. El contacto es deficiente (corrosión).	> Establezca la conexión.
	La sección del cable es insuficiente.	> Sustituya el cable.
	El compresor está averiado.	> Póngase en contacto con un técnico de mantenimiento autorizado.
Mala refrigeración, aumento de la temperatura interior. El compresor no funciona (conexión a corriente alterna).	La línea de suministro está interrumpida.	> Establezca la conexión.
	El interruptor principal está averiado (si está instalado).	> Sustituya el interruptor principal.
	Se ha quemado el fusible de la línea de suministro (si está instalado).	> Sustituya el fusible de la línea de suministro.
	El compresor está averiado.	> Póngase en contacto con un técnico de mantenimiento autorizado.
Ruidos inusuales.	Un componente del circuito de refrigeración no puede vibrar libremente (está tocando la pared).	> Doble el elemento con cuidado para separarlo de la superficie obstructora.
	Hay un cuerpo extraño atrapado entre el sistema de refrigeración y la pared.	> Retire el cuerpo extraño.
	Ruido del ventilador.	> Póngase en contacto con un técnico de mantenimiento autorizado.

Fallo	Posible causa	Propuesta de solución
La puerta se abre accidentalmente con el movimiento (por ejemplo, durante la conducción).	El pestillo de la puerta está en la posición A (consulte el capítulo Ajuste del pestillo de la puerta en la página 66).	> Coloque el pestillo de la puerta en la posición B .
La puerta no cierra correctamente.	El pestillo de la puerta está en la posición A (consulte el capítulo Ajuste del pestillo de la puerta en la página 66).	> Coloque el pestillo de la puerta en la posición B .
	El pestillo de la puerta está en la posición B (consulte el capítulo Ajuste del pestillo de la puerta en la página 66), pero la puerta no encaja correctamente.	> Asegúrese de que la puerta encaja correctamente al cerrarla.

Indicación de error



NOTA

- > Todos los errores se indican mediante el parpadeo del indicador LED de error de color rojo (véase Elementos de control y de visualización en la página 65). El número de pulsos depende del tipo de avería. Cada pulso dura un cuarto de segundo. Después de la secuencia de pulsos hay una pausa. La secuencia que corresponde a la avería se repite cada cuatro segundos.
- > En los modos ECO, PERFORMANCE y FREEZER, suena un pitido adicional.

Frecuencia de parpadeo	Error	Posible causa
1	Subtensión o sobretensión	La tensión de alimentación está fuera del rango ajustado.
2	Sobrecorriente del ventilador	La carga del ventilador sobre el sistema electrónico es superior a 1 A.
3	El motor no arranca.	El rotor está bloqueado. La diferencia de presión en el sistema de refrigeración es demasiado alta.
4	Número de revoluciones demasiado bajo	Si el sistema de refrigeración está sobrecargado, no se puede mantener la velocidad mínima del motor.
5	Exceso de temperatura en el sistema electrónico	Si el sistema de refrigeración está sobrecargado o si la temperatura es demasiado elevada, el sistema electrónico se calienta demasiado.
Constante	Errores del sensor de temperatura	El sensor de temperatura está averiado.

11 Garantía

Consulte las siguientes secciones para obtener información sobre garantía y asistencia para garantía en EE. UU., Canadá y el resto de regiones.

Estados Unidos y Canadá

GARANTÍA LIMITADA DISPONIBLE EN DOMETIC.COM/EN-US/SUPPORT/WARRANTY.

SI TIENE ALGUNA PREGUNTA O DESEA OBTENER UNA COPIA GRATUITA DE LA GARANTÍA LIMITADA, PÓNGASE EN CONTACTO CON:

DOMETIC CORPORATION
 CUSTOMER SUPPORT CENTER
 5155 VERDANT DRIVE
 ELKHART, INDIANA 46516
 1-800-544-4881

Todas las demás regiones

Para tramitar la reparación y la garantía, incluya los siguientes documentos cuando envíe el aparato:

- Una copia de la factura con fecha de compra
- El motivo de la reclamación o una descripción de la avería

Tenga en cuenta que una reparación por medios propios o no profesionales puede tener consecuencias de seguridad y suponer la anulación de la garantía.

12 Eliminación



¡AVISO! Peligro de daños

El aislamiento de la nevera contiene ciclopentano y requiere una gestión de residuos especial. Deposite el aparato de refrigeración en un centro de reciclaje adecuado al finalizar su vida útil.



Si es posible, deseche el material de embalaje en el contenedor de reciclaje adecuado. Consulte con un punto limpio o con un distribuidor especializado para obtener más información sobre cómo eliminar el producto de acuerdo con las normativas aplicables de eliminación. Europa: El producto podrá desecharse gratuitamente.

13 Datos técnicos

	NRX0035(E/C), NRX1035S	NRX0050(E/C/T) y NRX1050S	NRX0060(E/C/T) y NRX1060S
Capacidad			
• Compartimento nevera (solo NRX0035-0130[C], NRX0050-0080[T] y NRX1035-1130[S])	27,3 L (7,21 gal)	39,6 L (10,46 gal)	48,9 L (12,92 gal)
• Compartimento para congelados (solo NRX0035-0130[C], NRX0050-0080[T] y NRX1035-1130[S])	4,4 L (1,16 gal)	4,4 L (1,16 gal)	6,1 L (1,61 gal)
• Capacidad total	32 L (8,45 gal)	44 L (11,62 gal)	55 L (14,53 gal)
• Capacidad total (compartimento para congelados retirado)	34 L (8,98 gal)	46 L (12,15 gal)	58 L (15,32 gal)
Tensión de conexión			
• NRX0035-0060(E/C/T)		12 / 24 V $\overline{=}$	
• NRX1035-1060(S)		100 ... 240 V \sim	
Protección de la batería de alimentación (12 V)			
• Tensión de desconexión		10,4 V	

	NRX0035(E/C), NRX1035S	NRX0050(E/C/T) y NRX1050S	NRX0060(E/C/T) y NRX1060S
• Tensión de reconexión	11,7 V		
Protección de la batería de alimentación (24 V)			
• Tensión de desconexión	22,8 V		
• Tensión de reconexión	24,2 V		
Clase climática	T		
Rango de temperatura de almacenamiento:			
• Nevera	0 °C (32 °F) ... 12 °C (53,6 °F)		
• Compartimento para congelados (solo NRX0035-0130[C], NRX0050-0080[T] y NRX1035-1130[S])	-15 °C (5 °F) ... -5 °C (23 °F)		
• Modo FREEZER (solo NRX0035-0130[C], NRX0050-0080[T] y NRX1035-1130[S])	-6 °C (21,2 °F)		
Uso previsto a temperatura ambiente	16 °C (60,8 °F) ... 43 °C (109,4 °F)		
Refrigerante	R134a		
cantidad existente de refrigerante	24 g (0,85 oz)	26 g (0,92 oz)	30 g (1,06 oz)
Potencial de calentamiento atmosférico (PCA)	1430		
Emisión de ruidos (EN 60704)	40 ... 45 dB(A)	E, C, S: 40 ... 45 dB(A) T: 42 ... 45 dB(A)	
Dimensiones Al x An x Pr	525 (20,7) × 380 (15,0) × 355 mm (14,0 in) (sin compresor ni separador) 525 mm (20,7 in) × 380 mm (15,0 in) × 480 mm (18,9 in) (con compresor y separador)	E, C, S: 525 mm (20,7 in) × 380 mm (15,0 in) × 510 mm (20,1 in) T: 533 mm (21,0 in) × 380 mm (15,0 in) × 510 mm (20,1 in)	E, C, S: 525 mm (20,7 in) × 448 mm (17,6 in) × 537 mm (21,1 in) T: 533 mm (21,0 in) × 448 mm (17,6 in) × 537 mm (21,1 in)
Peso neto	E: 13,5 kg (29,77 lb) C: 16 kg (35,28 lb) S: 17 kg (37,48 lb)	E: 14,5 kg (31,97 lb) C: 17,5 kg (38,59 lb) S: 18,5 kg (40,79 lb) T: 15 kg (33,08 lb)	C: 17 kg (37,48 lb) S: 18 kg (39,69 lb) E, T: 16 kg (35,28 lb)
Carga máxima			
• Por repisa de puerta	4 kg (8,82 lb)	4 kg (8,82 lb)	5 kg (11,02 lb)

	NRX0035(E/C), NRX1035S	NRX0050(E/C/T) y NRX1050S	NRX0060(E/C/T) y NRX1060S
• Por puerta	E: 4 kg (8,82 lb) C/S: 8 kg (17,64 lb)	E: 4 kg (8,82 lb) C/S: 8 kg (17,64 lb)	E: 5 kg (11,02 lb) C/S: 10 kg (22,05 lb)

	NRX0080(E/C/T) y NRX1080S	NRX1115S	NRX1130S
Capacidad			
• Compartimento de nevera (solo NRX0035–0130[C], NRX0050–0080[T] y NRX1035–1130[S])	68,4 L (18,07 gal)	104,5 L (27,61 gal)	118 L (31,18 gal)
• Compartimento para congelados (solo NRX0035–0130[C], NRX0050–0080[T] y NRX1035–1130[S])	6,6 L (1,74 gal)	8,2 L (2,17 gal)	8,2 L (2,17 gal)
• Capacidad total	75 L (19,82 gal)	113 L (29,85 gal)	126 L (33,29 gal)
• Capacidad total (compartimento para congelados retirado)	78 L (20,61 gal)	116 L (30,65 gal)	130 L (34,35 gal)
Tensión de conexión			
• NRX1080–1130(S)		12 / 24 V $\overline{=}$ 100 ... 240 V \sim	
• NRX0080–0130(E/C), NRX0080T		12 / 24 V $\overline{=}$	
Protección de la batería de alimentación (12 V)			
• Tensión de desconexión		10,4 V	
• Tensión de reconexión		11,7 V	
Protección de la batería de alimentación (24 V)			
• Tensión de desconexión		22,8 V	
• Tensión de reconexión		24,2 V	
Clase climática		T	
Rango de temperatura de almacenamiento			
• Nevera		0 °C (32 °F) ... 12 °C (53,6 °F)	
• Compartimento para congelados (solo NRX0035–0130C/T y NRX1035–1130S)		-15 °C (5 °F) ... -5 °C (23 °F)	
• Modo FREEZER (solo NRX0035–0130C/T y NRX1035–1130S)		-6 °C (21,2 °F)	

	NRX0080(E/C/T) y NRX1080S	NRX1115S	NRX1130S
Uso previsto a temperatura ambiente	16 °C (60,8 °F) ... 43 °C (109,4 °F)		
Refrigerante	R1234yf		
cantidad existente de refrigerante	E, C, S: 28 g (0,99 oz) T: 32 g (1,13 oz)	32 g (1,13 oz)	32 g (1,13 oz)
Potencial de calentamiento atmosférico (PCA)	4		
Emisión de ruidos (EN 60704)	E, C, S: 40 ... 45 dB(A) T: 42 ... 45 dB(A)	40 ... 45 dB(A)	
Dimensiones Al x An x Pr	E, C, S: 625 (24,6) × 475 (18,7) × 537 mm (21,1 in) 633 (24,9) × 475 (18,7) × 537 mm (21,1 in)	745 (29,3) × 525 (20,7) × 568 mm (22,4 in)	812 (32,0) × 525 (20,7) × 568 mm (22,4 in)
Peso neto	C: 20 kg (44,1 lb) S: 21 kg (46,30 lb) E, T: 18 kg (39,69 lb)	C: 26 kg (57,33 lb) S: 27 kg (59,54 lb) E: 24 kg (52,92 lb)	C: 27 kg (59,54 lb) S: 28 kg (61,74 lb) E: 25 kg (55,12 lb)
Carga máxima			
• Por repisa de puerta	5 kg (11,02 lb)	6 kg (13,23 lb)	6 kg (13,23 lb)
• Por puerta	10 kg (22,05 lb)	E: 12 kg (26,46 lb) C/S: 18 kg (39,69 lb)	E: 12 kg (26,46 lb) C/S: 18 kg (39,69 lb)

14 Información legal

Este dispositivo cumple con la Parte 15 de las normas de la FCC. Su uso está sujeto a las siguientes dos condiciones:

- Este dispositivo no puede causar interferencias perjudiciales.
- Este dispositivo debe aceptar cualquier interferencia recibida, incluyendo interferencias que puedan causar un funcionamiento no deseado.

Los cambios o modificaciones no aprobados expresamente por la parte responsable del cumplimiento podrían anular la autoridad del usuario para operar el equipo. Después de poner a prueba este equipo, se ha determinado que cumple los límites exigidos para un dispositivo digital de clase B, de acuerdo con el apartado 15 de las normas de la Comisión Federal de Comunicaciones (FCC). Estos límites se han diseñado para proporcionar protección razonable contra interferencias perjudiciales en una instalación residencial. Este equipo genera, usa y puede irradiar energía de radiofrecuencia, y si no se instala y usa de acuerdo con lo estipulado en las instrucciones, podría causar interferencias perjudiciales en las comunicaciones de radio. Sin embargo, no existe garantía de que no se produzcan interferencias en una instalación concreta. Si este equipo genera interferencias perjudiciales para la recepción de radio o televisión, que pueden percibirse al encender y apagar el equipo, se recomienda al usuario que trate de corregir la interferencia siguiendo una o varias de las siguientes instrucciones:

- Reorientar o recolocar la antena receptora.
- Aumentar la separación entre el equipo y el receptor.
- Conectar el equipo a una toma de salida con un circuito diferente de al que está conectado el receptor.

- Consultar al distribuidor o a un técnico especialista en radio o televisión.

Este aparato cumple la(s) norma(s) de exención de licencia de la industria de Canadá. Su uso está sujeto a las siguientes dos condiciones:

- Este dispositivo no puede causar interferencias.
- Este dispositivo debe aceptar cualquier interferencia recibida que pueda causar un funcionamiento no deseado. Este aparato digital de clase B cumple con la norma ICES-3(B)/NBM-3(B) de Canadá.

Português

1	Notas importantes.....	86
2	Explicação dos símbolos.....	86
3	Indicações de segurança.....	87
4	Material fornecido.....	90
5	Acessórios.....	90
6	Utilização adequada.....	91
7	Descrição técnica.....	92
8	Operação.....	94
9	Limpeza e manutenção.....	102
10	Resolução de falhas.....	105
11	Garantia.....	108
12	Eliminação.....	109
13	Ficha de dados técnicos.....	109
14	Aviso legal.....	112

1 Notas importantes

Leia atentamente as presentes instruções e siga todas as instruções, orientações e avisos incluídos neste manual, de modo a garantir a correta instalação, utilização e manutenção do produto. É OBRIGATÓRIO manter estas instruções junto com o produto.

Ao utilizar o produto, está a confirmar que leu atentamente todas as instruções, orientações e avisos, e que compreende e aceita cumprir os termos e condições estabelecidos no presente manual. Aceita utilizar este produto exclusivamente para o fim e a aplicação a que se destina e de acordo com as instruções, orientações e avisos estabelecidos neste manual, assim como de acordo com todas as leis e regulamentos aplicáveis. Caso não leia nem siga as instruções e os avisos aqui estabelecidos, poderá sofrer ferimentos pessoais ou causar ferimentos a terceiros e o produto ou outros materiais nas proximidades poderão ficar danificados. Este manual do produto, incluindo as instruções, orientações e avisos, bem como a documentação relacionada, podem estar sujeitos a alterações e atualizações. Para consultar as informações atualizadas do produto, visite documents.dometic.com.

2 Explicação dos símbolos

As palavras de advertência identificam mensagens de segurança e mensagens de danos à propriedade, assim como o grau ou nível de seriedade do perigo.



AVISO!

Indica uma situação perigosa que, se não for evitada, pode causar a morte ou ferimentos graves.



PRECAUÇÃO!

Indica uma situação perigosa que, se não for evitada, pode causar ferimentos ligeiros ou moderados.



NOTA!

Indica uma situação que, se não for evitada, pode causar danos materiais.



OBSERVAÇÃO Informações suplementares para a utilização do produto.

3 Indicações de segurança

Princípios básicos de segurança



AVISO! Risco de eletrocussão

- > Apenas pessoal qualificado pode executar a montagem e a remoção do frigorífico.
- > Solicite que a instalação em espaços com elevado grau de humidade e áreas expostas a água seja realizada apenas por especialistas.
- > Se instalar o frigorífico dentro de um pavilhão ou ambiente semelhante, certifique-se de que o frigorífico está protegido da chuva e salpicos de água.
- > Não coloque o frigorífico em funcionamento se este apresentar danos visíveis.
- > As reparações neste frigorífico apenas podem ser realizadas por pessoal qualificado. Reparções inadequadas podem levar a perigos graves ou a danos no frigorífico.
- > Se o cabo de alimentação deste frigorífico estiver danificado, terá de ser substituído pelo fabricante, pelo serviço de assistência técnica ou por uma pessoa com qualificações equivalentes, de forma a evitar riscos de segurança.
- > Ao posicionar o frigorífico, certifique-se de que o cabo de alimentação não fica preso nem é danificado.
- > Não coloque tomadas múltiplas ou fontes de alimentação portáteis na parte de trás do frigorífico.
- > Nunca toque em cabos não blindados com as mãos desprotegidas.
- > Ligue o aparelho a tomadas que garantam uma ligação adequada, sobretudo se for necessário instalar o aparelho com ligação à terra.
- > Em caso de funcionamento com rede elétrica, certifique-se de que a fonte de alimentação está protegida por um disjuntor de corrente residual (RCCB) ou por um interruptor de circuito de falha de terra (GFCI). A instalação deve ser realizada de acordo com todos os regulamentos aplicáveis, especialmente em áreas potencialmente húmidas.



AVISO! Perigo de incêndio

- > O circuito de refrigeração contém uma pequena quantidade de um refrigerante ecológico, . Este produto não é prejudicial para a camada de ozono e não aumenta o efeito de estufa. Qualquer refrigerante vazado pode incendiar-se.
- > Não utilize nem armazene o frigorífico em espaços confinados com pouco ou nenhum fluxo de ar.
- > Mantenha o entalhe de instalação destinado ao frigorífico livre de componentes elétricos e de fontes de luz que produzam faíscas ou arcos (p. ex., caixas de relés ou fusíveis) durante o seu funcionamento normal ou com anomalias.
- > O isolamento do frigorífico contém ciclopentano inflamável e requer medidas de eliminação especiais. No fim da respetiva vida útil, encaminhe o frigorífico para um centro de reciclagem adequado.



AVISO! Perigo de explosão

Não guarde no frigorífico substâncias com risco de explosão, como, por exemplo, latas de aerossóis com gás inflamável.



AVISO! Risco para a saúde

- > Este frigorífico não foi previsto para ser utilizado por pessoas (incluindo crianças) com capacidades físicas, sensoriais ou mentais reduzidas ou com insuficiente experiência e conhecimento, exceto caso tenham recebido supervisão ou instruções acerca da utilização do aparelho por parte de uma pessoa responsável pela sua segurança.
- > Crianças com idades entre os 3 e os 8 anos podem encher e esvaziar o frigorífico.
- > A limpeza e a manutenção não podem ser efetuadas por crianças sem supervisão.
- > As crianças devem ser supervisionadas para assegurar que não brincam com o frigorífico.

**AVISO! Risco de as crianças ficarem presas**

- > Certifique-se de que as prateleiras estão instaladas e fixadas para que não seja possível crianças trancarem-se dentro do frigorífico.
- > Antes da eliminação do seu frigorífico usado:
 - Desmonte as gavetas.
 - Deixe ficar as prateleiras no frigorífico para que as crianças não entrem nele.
- > Retire as portas.

**PRECAUÇÃO! Risco para a saúde**

- > Para evitar riscos devido à instabilidade do frigorífico, este tem de ser fixado de acordo com as instruções de montagem.
- > Mantenha as aberturas de ventilação existentes no frigorífico e no respetivo compartimento ou na estrutura encastrada sempre desobstruídas.
- > Não utilize ferramentas mecânicas ou outros meios de acelerar o processo de descongelamento para além dos recomendados pelo fabricante.
- > Não abra nem danifique, em caso algum, o circuito de refrigeração.
- > Não utilize aparelhos elétricos dentro do frigorífico, exceto se estes aparelhos elétricos tiverem sido recomendados para isso pelo fabricante.

**PRECAUÇÃO! Perigo de ferimentos**

- > Não utilize nem armazene materiais inflamáveis neste frigorífico ou nas suas proximidades.
- > Não coloque objetos em cima deste frigorífico nem os encoste ao mesmo.
- > Não modifique este frigorífico.

**NOTA! Risco de danos**

- > Selecione o funcionamento a corrente contínua apenas se o motor do veículo estiver a trabalhar e fornecer tensão suficiente, ou se estiver a utilizar um monitorizador da bateria.
- > Mantenha a abertura de condensação sempre limpa, caso esteja instalada.
- > Ao limpar o veículo, se o frigorífico tiver grelhas de ventilação, não utilize qualquer aparelho de limpeza de alta pressão na zona das grelhas de ventilação.
- > O frigorífico não pode ser exposto à chuva.
- > Nunca retire a ficha da tomada puxando pelo cabo de ligação.

Segurança durante a utilização do aparelho de refrigeração**PERIGO! Risco de eletrocussão**

Antes de colocar o frigorífico em funcionamento, certifique-se de que a ligação e a ficha estão secas.

**PRECAUÇÃO! Risco para a saúde**

- > Certifique-se de colocar no frigorífico apenas produtos que possam ser refrigerados à temperatura selecionada.
- > Limpe regularmente as superfícies que entram em contacto com alimentos e os sistemas de drenagem acessíveis.
- > Guarde a carne e o peixe crus no frigorífico em recipientes adequados para que não entrem em contacto com outros alimentos nem possam pingar para os mesmos.
- > Abrir a porta durante longos períodos pode provocar um aumento significativo da temperatura nos compartimentos do frigorífico. Se o frigorífico ficar vazio durante longos períodos:
 - Desligue o frigorífico.

- Descongele o frigorífico.
- Limpe e seque o frigorífico.
- Deixe a porta aberta para impedir o crescimento de bolor no interior do frigorífico. Se disponível, coloque a porta do frigorífico e a porta do congelador na posição de Inverno.



PRECAUÇÃO! Perigo de ferimentos

- > Não mexa no encosto da tampa com os dedos.
- > Antes de iniciar a viagem, feche e bloqueie a porta do frigorífico.
- > O sistema de refrigeração situado na parte posterior do frigorífico aquece muito durante o funcionamento. Se o frigorífico estiver equipado com grelhas de ventilação, proteja-se contra o contacto com peças quentes ao remover as grelhas de ventilação.
- > A porta do aparelho ou do congelador pode soltar-se completamente do aparelho se utilizada incorretamente. Pressione as portas fechadas até ouvir um clique evidente na parte superior e inferior.



NOTA! Risco de danos

- > Não se apoie na porta do frigorífico aberta.
- > Armazene os objetos pesados como, por exemplo, garrafas ou latas exclusivamente na porta do frigorífico, no tabuleiro para legumes ou na prateleira inferior.
- > Se o frigorífico possuir uma porta dupla e a porta não estiver devidamente trancada do lado oposto, pressione a parte superior e inferior desse lado até que a porta encaixe corretamente.
- > **Perigo de sobreaquecimento!** Certifique-se sempre de que a ventilação é suficiente para que o calor gerado durante o funcionamento seja devidamente dissipado. Certifique-se de que o frigorífico está posicionado a uma distância suficiente de paredes ou objetos de modo a que o ar possa circular.
- > Não verta líquidos nem gelo para o interior.
- > Proteja o frigorífico e o cabo do calor e da humidade.
- > Nunca retire a ficha da tomada puxando pelo cabo de ligação.



OBSERVAÇÃO

- > Consulte o fabricante do seu veículo para esclarecer se o sistema de gestão de bateria do veículo desliga o frigorífico como medida de proteção da bateria.
- > Para temperaturas ambiente entre 15 °C (59 °F) ... 25 °C (77 °F), selecione a definição de temperatura média.
- > Se a porta não estiver devidamente trancada do lado oposto, pressione a parte superior e inferior desse lado até que a porta encaixe corretamente.
- > Para evitar desperdício alimentar, observe o seguinte:
 - Mantenha as oscilações de temperatura o mais reduzidas possível. Abra o congelador apenas as vezes que forem necessárias e apenas durante o tempo estritamente necessário. Armazene os géneros alimentícios de modo a que o ar continue a circular bem.
 - Certifique-se de colocar no frigorífico apenas produtos que possam ser refrigerados à temperatura selecionada.
 - Guarde os diferentes tipos de géneros alimentícios de acordo com as figuras.
 - Se for possível ajustar a temperatura: Ajuste a temperatura à quantidade e ao tipo de géneros alimentícios.
 - Os géneros alimentícios podem absorver ou libertar facilmente cheiro ou sabor. Armazene os géneros alimentícios sempre bem cobertos ou em recipientes/garrafas fechadas.

4 Material fornecido

Quantidade	Descrição
1	Frigorífico com compressor
1	Cotovelo de escoamento
1	Manual do utilizador resumido
1	Manual de instruções (apenas online)
1	Instruções de montagem

5 Acessórios

Disponível como acessório (não incluído no material fornecido):

Descrição	N.º art.
Dobradiça deslizante	9620012939
Estrutura de fixação incluindo estrutura inferior	
• NRX0035, NRX1035, NRX0050, NRX1050	9620012877
• NRX0060, NRX1060	9620012881
• NRX0080, NRX1080	9620012882
• NRX0115, NRX1115	9620012878
• NRX0130, NRX1130	9620012876
Estrutura de fixação incluindo estrutura inferior (preta)	
• NRX0035, NRX1035, NRX0050, NRX1050	9620012874
• NRX0060, NRX1060	9620012875
• NRX0080, NRX1080	9620012880
• NRX0115, NRX1115	9620012879
• NRX0130, NRX1130	9620012883
Prateleira de substituição do compartimento para produtos congelados removido	
• NRX0035, NRX1035, NRX0050, NRX1050	9620012933
• NRX0060, NRX1060	9620012938
• NRX0080, NRX1080	9620012935
• NRX0115, NRX1115, NRX0130, NRX1130	9620012932

Descrição	N.º art.
Compartimento para produtos congelados	
• NRX0035, NRX1035, NRX0050, NRX1050	9620012931
• NRX0060, NRX1060	9620012936
• NRX0080, NRX1080	9620012934
• NRX0115, NRX1115, NRX0130, NRX1130	9620012937
Adaptador CA/CC	9620013451

6 Utilização adequada

O frigorífico é adequado para:

- Instalar em caravanas, autocaravanas, embarcações e camiões
- Refrigerar e armazenar alimentos
- **Apenas NRX0035–0130(C), NRX0050–0080(T) e NRX1035–1130(S):** Armazenar alimentos pré-congelados
- Utilização em interiores

Este frigorífico não é adequado para aplicações comerciais, domésticas ou de comércio grossista.

O frigorífico **não** é adequado para:

- Armazenar medicamentos
- Armazenar substâncias corrosivas ou substâncias que contenham solventes
- Congelar rapidamente alimentos
- Utilização exterior

Quando utilizado em embarcações, o aparelho deve ser instalado numa área da sala de estar e não num convés aberto.

O compartimento para produtos congelados é adequado para armazenar alimentos pré-congelados, armazenar ou fazer gelado e fazer cubos de gelo. Não se destina a congelar alimentos previamente descongelados.

O frigorífico está concebido para a instalação num móvel ou num nicho de instalação.

O desempenho de refrigeração ideal é fornecido a temperaturas ambiente entre 16 °C (60,8 °F) ... 43 °C (109,4 °F) e a uma humidade máxima de 90 % .

Este produto destina-se exclusivamente à aplicação e aos fins pretendidos com base nestas instruções.

Este manual fornece informações necessárias para proceder a uma instalação e/ou a uma operação adequadas do produto. Uma instalação e/ou uma operação ou manutenção incorretas causarão um desempenho insatisfatório e uma possível avaria.

O fabricante não aceita qualquer responsabilidade por danos ou prejuízos no produto resultantes de:

- Instalação, montagem ou ligação incorretas, incluindo sobretensões
- Manutenção incorreta ou utilização de peças sobressalentes não originais fornecidas pelo fabricante
- Alterações ao produto sem autorização expressa do fabricante
- Utilização para outras finalidades que não as descritas no presente manual

A Dometic reserva-se o direito de alterar o design e as especificações do produto.

7 Descrição técnica

O frigorífico é um frigorífico de compressor.

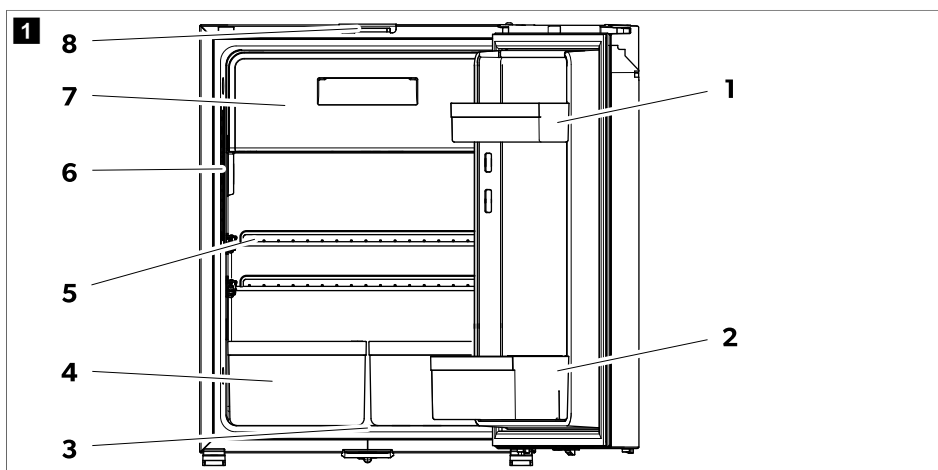
NRX1035-1130(S): O frigorífico foi concebido para funcionar com diferentes tipos de energia e pode funcionar com corrente alternada ou corrente contínua.

NRX0035-0130(C), NRX0050-0080(T) e NRX1035-1130(S): Este modelo está equipado de fábrica com um compartimento para produtos congelados que pode ser removido ou novamente instalado.

A porta do frigorífico dispõe de um mecanismo de trinco que serve também como dispositivo de segurança de transporte.

Todos os materiais utilizados no frigorífico são seguros para géneros alimentícios.

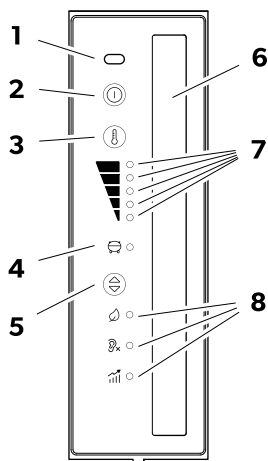
Designação do aparelho



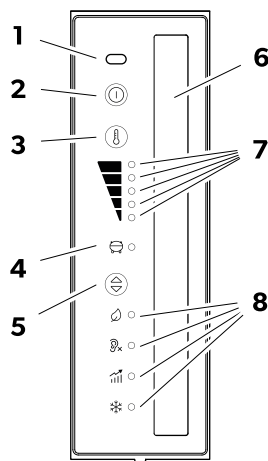
N.º	Explicação
1	Prateleira de porta (apenas NRX0035-0130[C], NRX0050-0080[T], NRX1035-1130[S] e NRX0080-0130[E])
2	Prateleira para garrafas
3	Escoamento da água de condensação
4	Gaveta de legumes (apenas NRX0035-0130[C], NRX0050-0080[T] e NRX1035-1130[S])
5	Prateleira
6	Painel de comando com display
7	Compartimento para produtos congelados (apenas NRX0035-0130[C], NRX0050-0080[T] e NRX1035-1130[S])
8	Trinco da porta para ventilação


Elementos de comando e de indicação

2 NRX0035 – 0130 (E)



NRX0050 – 0080 (T), NRX0035 – 0130 (C), NRX1035 – 1130 (S)



N.º	Explicação
1	Sensor de abertura da porta IV
2	Ⓞ Botão de ligar/desligar
3	Ⓜ Botão de configuração do nível de refrigeração
4	LED indicador de erro e do compressor
5	Ⓢ Botão do modo de funcionamento
6	Iluminação interior
7	LED indicadores do nível de refrigeração  <ul style="list-style-type: none"> ■ Nível de refrigeração 5 ■ Nível de refrigeração 4 ■ Nível de refrigeração 3 ■ Nível de refrigeração 2 ■ Nível de refrigeração 1
8	LED indicadores do modo de funcionamento

LED indicador de erro e do compressor





O LED indicador de erro e do compressor indica o estado operacional do compressor ou a existência de um erro:

Color	Descrição
Branco	Compressor ligado

Color	Descrição
Laranja	Compressor desligado
Laranja (intermitente)	Erro (consulte o capítulo Indicação de erros na página 108)

LED indicadores do modo de funcionamento

Os LED indicadores do modo de funcionamento indicam as seguintes opções de configuração:

Símbolo	Descrição
	Modo ECO: Funcionamento com consumo de energia reduzido. Nível de refrigeração 1 – 3
	Modo QUIET: Funcionamento com nível de ruído reduzido. Nível de refrigeração 1 – 4
	Modo PERFORMANCE: Nível de refrigeração 1 – 5
	Modo FREEZER (apenas NRX0035–0130[C], NRX0050–0080[T] e NRX1035–1130[S]): Funcionamento com o compartimento para produtos congelados removido. Arrefece todo o interior do frigorífico para –6 °C (21,2 °F).

8 Operação

8.1 Antes da primeira utilização

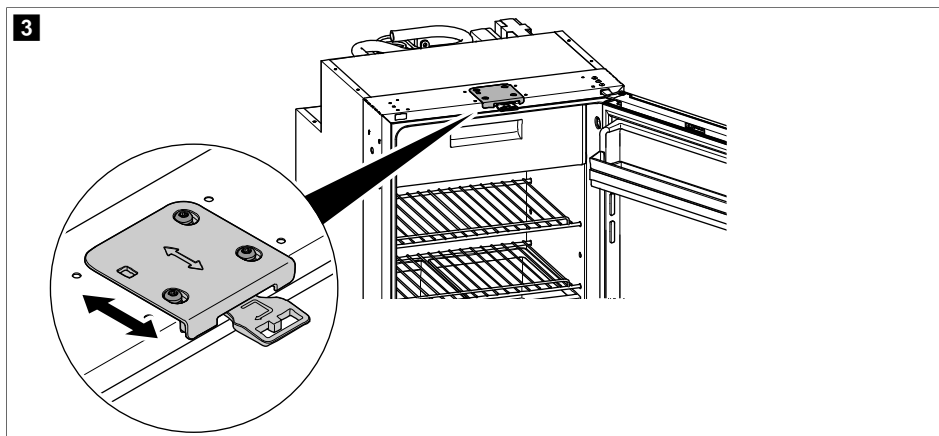


OBSERVAÇÃO

- > Não armazene alimentos no frigorífico durante as primeiras 4 horas após a colocação em funcionamento.
- > Ao utilizar o frigorífico pela primeira vez, poderá ocorrer a formação de um ligeiro odor que se dissipará após algumas horas. Areje bem o habitáculo.
- > A potência de refrigeração pode ser afetada pelos seguintes fatores:
 - Temperatura ambiente (por ex., quando o veículo está exposto à luz solar direta)
 - Quantidade de alimentos a refrigerar
 - Frequência de abertura da porta
- > Por questões de higiene, limpe o interior do frigorífico (consulte Limpeza e manutenção na página 102).
- > Estacione o veículo na horizontal, especialmente durante a primeira colocação em funcionamento e o enchimento do frigorífico antes de iniciar uma viagem.

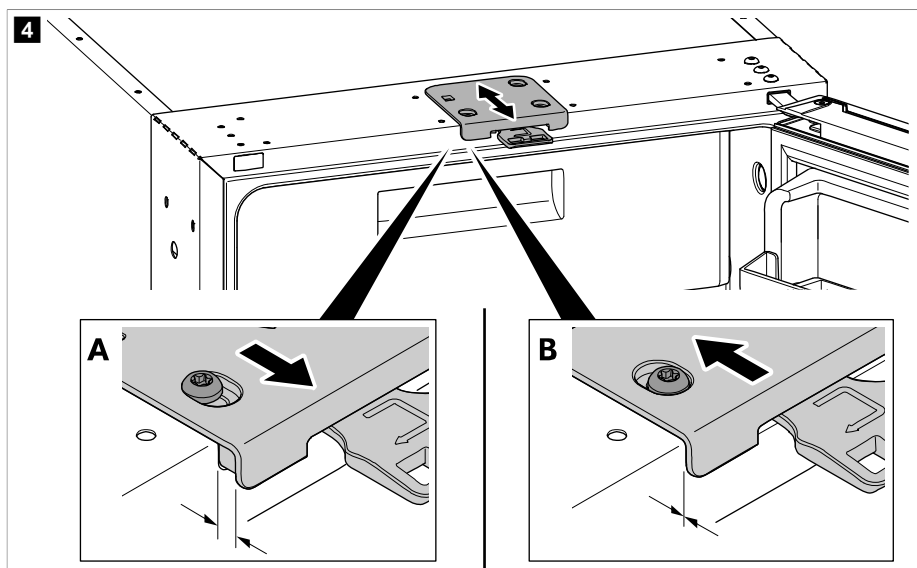
8.1.1 Ajustar o trinco da porta

O trinco da porta na parte superior do frigorífico pode ser ajustado para regular a largura de fecho da porta.



i **OBSERVAÇÃO** Verifique se o trinco da porta ajustável está instalado. Se necessário, encomende o trinco ajustável da porta (dometic.com) e substitua o trinco da porta fixo pelo trinco da porta ajustável.

> O trinco da porta está predefinido de fábrica na posição **A**. Mova o trinco da porta para a posição **B**.



i **OBSERVAÇÃO** Se o trinco da porta estiver na posição **B**, certifique-se de que a porta tranca corretamente ao fechar (consulte o capítulo Fechar e fixar a porta do frigorífico na página 97).

8.2 Informações sobre o armazenamento de alimentos



PRECAUÇÃO! Risco para a saúde

Se o frigorífico for exposto a uma temperatura ambiente inferior a 10 °C (50 °F) durante um período de tempo prolongado, não é possível garantir a regulação da temperatura do compartimento para produtos congelados. Isto pode causar o aumento da temperatura do compartimento para produtos congelados e o descongelamento dos alimentos armazenados.

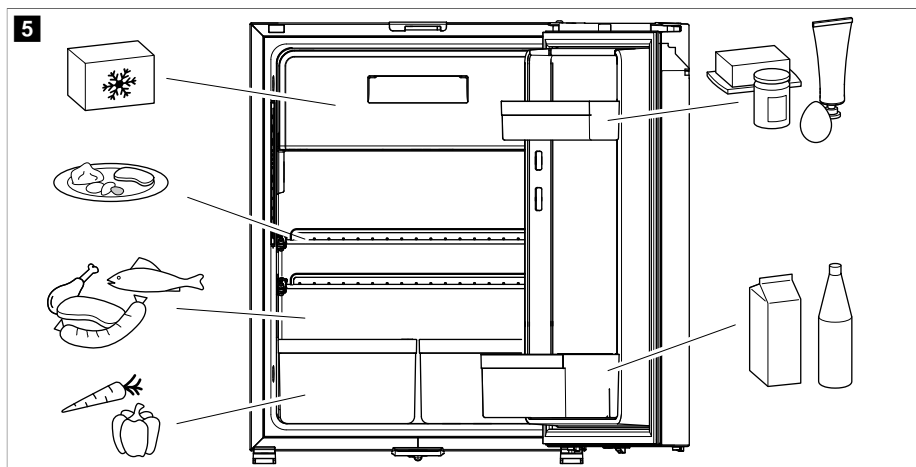


NOTA! Risco de danos

- > Ao encher o frigorífico, tenha em atenção a carga máxima de cada prateleira de porta e da porta (consulte Ficha de dados técnicos na página 109).
- > Não guarde bebidas com gás no compartimento para produtos congelados.

Para evitar desperdício alimentar, observe o seguinte:

- Mantenha as oscilações de temperatura o mais reduzidas possível. Abra o frigorífico apenas as vezes que forem necessárias e apenas durante o tempo estritamente necessário. Armazene os géneros alimentícios de modo a que o ar continue a circular bem.
 - Ajuste a temperatura à quantidade e ao tipo de géneros alimentícios.
 - Guarde os diferentes tipos de géneros alimentícios de acordo com as figuras.
 - Os géneros alimentícios podem absorver ou libertar facilmente cheiro ou sabor. Armazene os géneros alimentícios sempre bem cobertos ou em recipientes/garrafas fechadas.
- > Armazene os alimentos conforme ilustrado.



8.3 Poupar energia

- Abra o frigorífico apenas as vezes que forem necessárias e apenas durante o tempo estritamente necessário.
- Primeiro, deixe as refeições quentes arrefecer antes de as refrigerar no aparelho.
- Descongele o frigorífico assim que se formar uma camada de gelo.
- Evite temperaturas internas desnecessariamente baixas.
- Para um consumo de energia otimizado, posicione as prateleiras e as gavetas na posição original de entrega.
- Certifique-se regularmente de que a vedação da porta ainda está corretamente encaixada.
- Limpe o pó e a sujidade do condensador regularmente.

8.4 Utilizar a porta do frigorífico



PRECAUÇÃO! Perigo de ferimentos

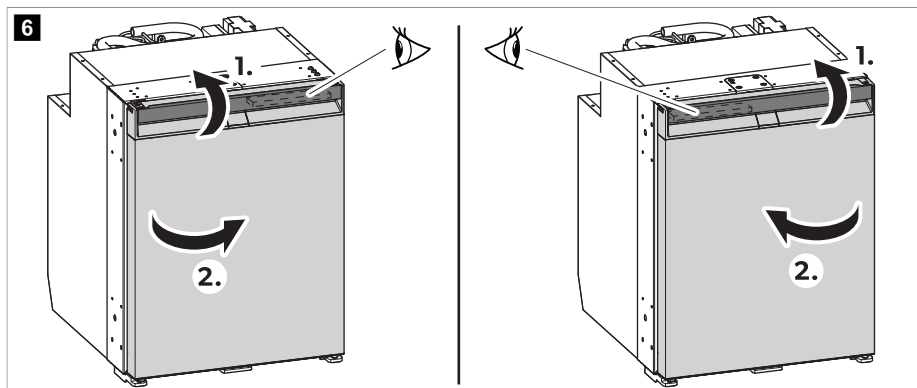
A porta do frigorífico e a porta do compartimento para produtos congelados podem soltar-se completamente do aparelho se forem utilizadas incorretamente.

8.4.1 Abrir a porta do frigorífico



OBSERVAÇÃO Certifique-se de puxar a pega no lado oposto do batente da porta. Anote a respetiva posição da patilha deslizante. Consulte as instruções de montagem relevantes.

> Para abrir a porta do frigorífico, proceda conforme ilustrado.



8.4.2 Fechar e fixar a porta do frigorífico



PRECAUÇÃO! Perigo de ferimentos

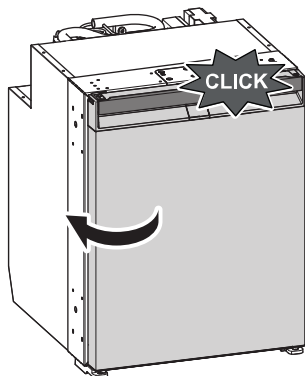
Se a porta não estiver devidamente fixada, pressione cuidadosamente a parte superior e a parte inferior da porta até que esta fique corretamente fixada.



OBSERVAÇÃO A porta do frigorífico dispõe de um mecanismo de trinco que também é utilizado como dispositivo de segurança de transporte.

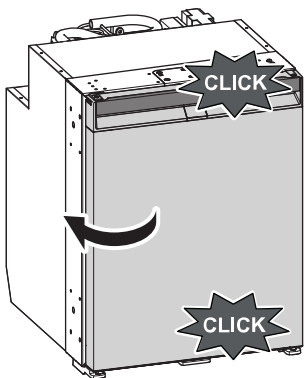
- > NRX0035-0130(E): Feche a porta pressionando até ouvir claramente um clique na parte superior.

7 NRX0035 – 0130 (E)



- > NRX0035-0130(C), NRX0050-0080(T) e NRX1035-1130(S) : Pressione a porta fechada até ouvir claramente um clique na parte superior e inferior.

8 NRX0050 – 0080 (T), NRX0035 – 0130 (C), NRX1035 – 1130 (S)




- ✓ A porta está então fechada e fixada.

8.5 Ligar e desligar



OBSERVAÇÃO Desligue sempre o frigorífico se não for utilizado durante um período de tempo prolongado.

- > Para ligar, prima o botão  e mantenha-o premido durante pelo menos 2 s .
- ✓ O frigorífico liga-se com o último nível de refrigeração e o último modo de funcionamento selecionados.

- > Para desligar, prima o botão  e mantenha-o premido durante pelo menos 2 s.

8.6 Configurar os modos de funcionamento




OBSERVAÇÃO Ao utilizar o modo ECO, PERFORMANCE ou FREEZER, o sistema mantém-se neste modo até serem efetuadas mais alterações.

- > Para configurar o modo de funcionamento, prima repetidamente o botão  até acender o LED indicador do modo de funcionamento pretendido.

Estão disponíveis os seguintes modos de funcionamento:

Utilizar o modo ECO

Com o modo ECO ativado, o frigorífico funciona com consumo de energia reduzido nos níveis de refrigeração 1 – 3.


- ✓ O LED indicador do modo de funcionamento referente ao modo ECO  e o LED indicador do nível de refrigeração selecionado acendem-se.

Utilizar o modo QUIET

Com o modo QUIET ativado, o frigorífico funciona com um nível de ruído reduzido nos níveis de refrigeração 1 – 4.




OBSERVAÇÃO

- > O modo QUIET não está disponível se o frigorífico estiver a funcionar em modo FREEZER.
- > Se utilizar o modo QUIET, o frigorífico manter-se-á neste modo durante 8 h, regressando em seguida ao modo selecionado anteriormente (modo ECO ou PERFORMANCE).
- ✓ O LED indicador do modo de funcionamento referente ao modo QUIET  e o LED indicador do nível de refrigeração selecionado acendem-se.

Utilizar o modo PERFORMANCE

Com o modo PERFORMANCE ativado, o frigorífico funciona no modo standard nos níveis de refrigeração 1 – 5.


- ✓ O LED indicador do modo de funcionamento referente ao modo PERFORMANCE  e o LED indicador do nível de refrigeração selecionado acendem-se.

Utilizar o modo FREEZER

Com o modo FREEZER ativado, todo o interior do frigorífico é arrefecido até -6°C ($21,2^{\circ}\text{F}$).



OBSERVAÇÃO Retire o compartimento para produtos congelados para utilizar o modo FREEZER.

- ✓ O LED indicador do modo de funcionamento referente ao modo FREEZER  e todos os LED indicadores do nível de refrigeração acendem-se de modo contínuo.

8.7 Configurar o nível de refrigeração

- > Para definir o nível de refrigeração, prima repetidamente o botão  até atingir o nível de refrigeração pretendido.

8.8 Reposicionar as prateleiras



AVISO! Risco de as crianças ficarem presas

NRX0060-0130 e NRX1060-1130: As prateleiras são fixadas de forma a impedir que crianças subam para o interior do frigorífico.

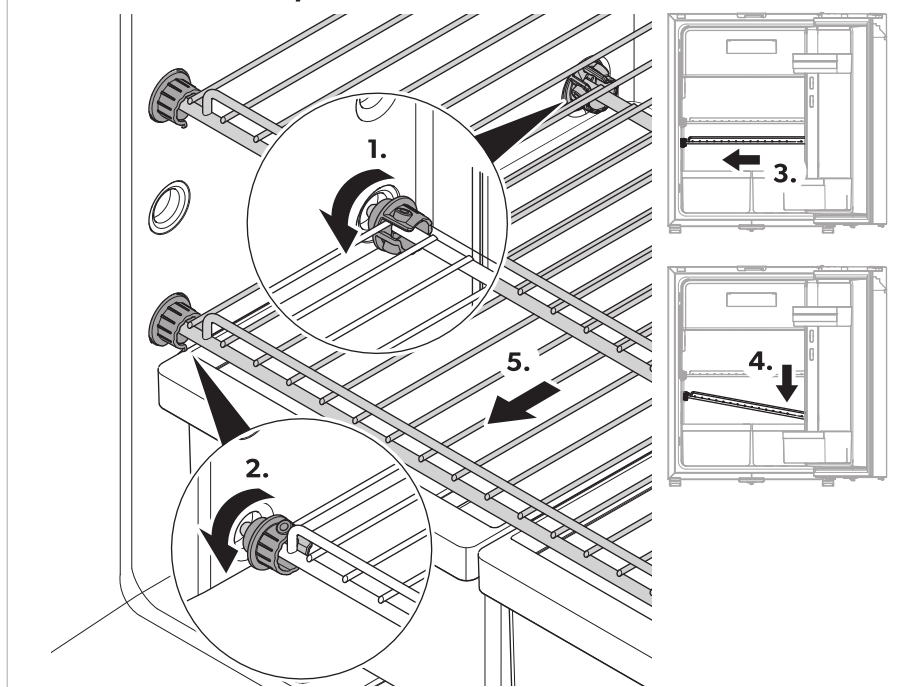
- > Remova as prateleiras apenas para fins de limpeza.
- > Volte a colocar as prateleiras e fixe-as no lugar.



OBSERVAÇÃO Remova o compartimento para produtos congelados antes de voltar a posicionar as prateleiras, de modo a facilitar o acesso aos botões rotativos traseiros das prateleiras.

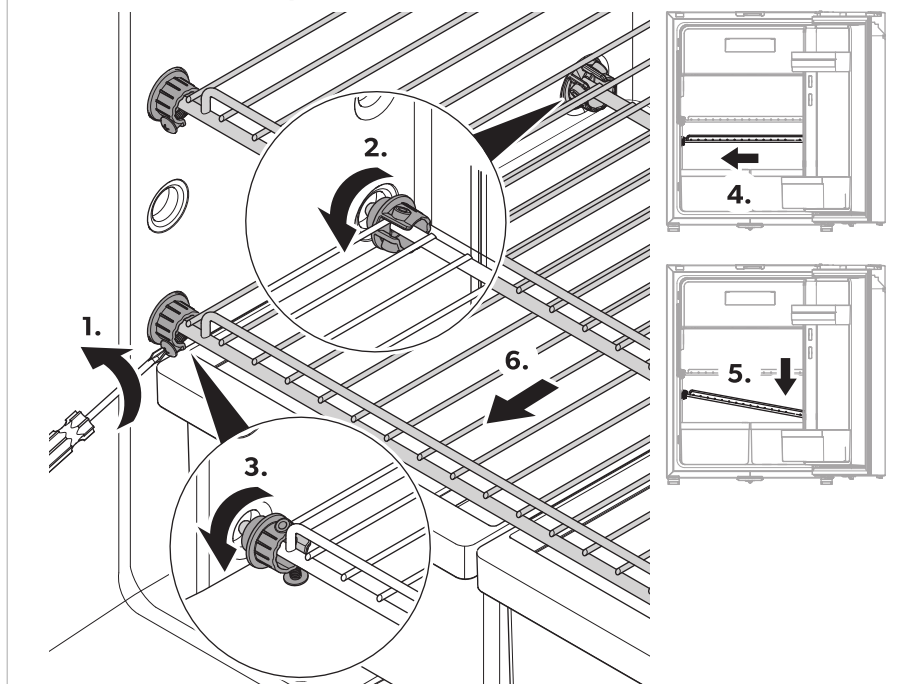
- > **NRX0035-0050:** para posicionar novamente as prateleiras, proceda conforme ilustrado.

9 NRX0035 – 0050, NRX1035 – 1050



- > **NRX0035-0050:** Para posicionar novamente as prateleiras, proceda conforme ilustrado.

10 NRX0060 – 0130, NRX1060 – 1130



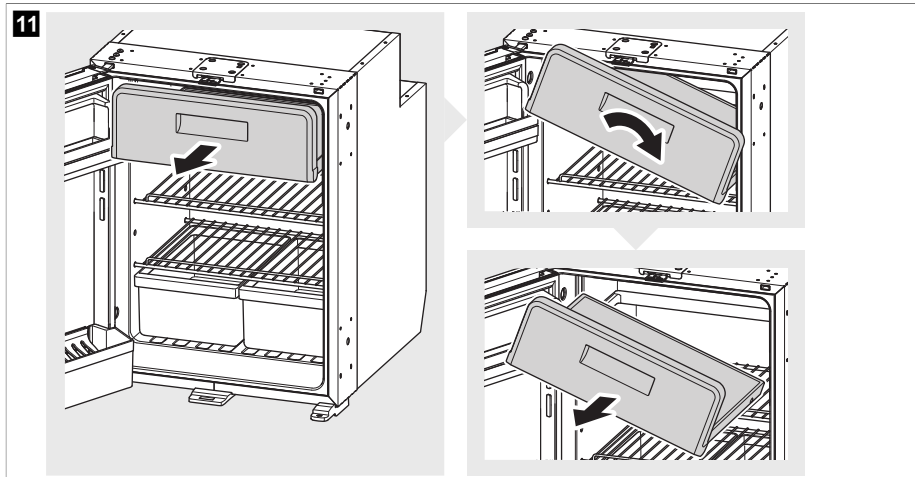
8.9 Remover o compartimento para produtos congelados



NOTA! Risco de danos

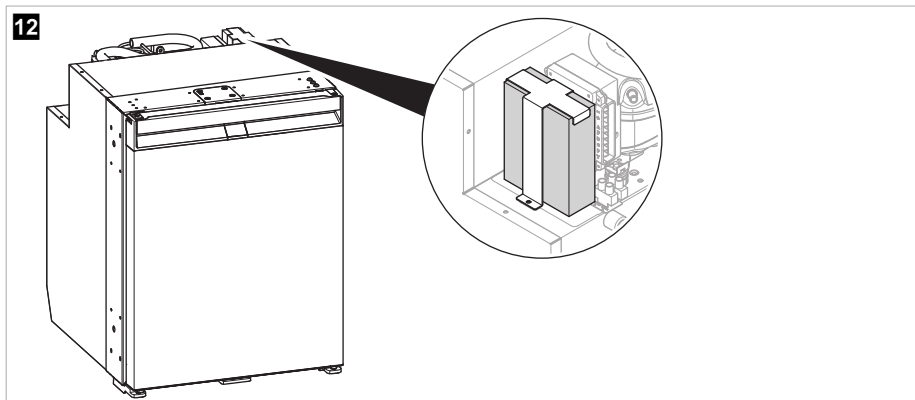
- > Feche a porta do compartimento para produtos congelados para o retirar.
- > Pegue no compartimento para produtos congelados pela parte de baixo. Não puxe pela porta do compartimento para produtos congelados.
- > Guarde o compartimento para produtos congelados num local seco e seguro.

- > Para remover o compartimento para produtos congelados, proceda conforme ilustrado.



8.10 Instalar o adaptador CA/CC

- > Para instalar o adaptador CA/CC (acessórios), proceda conforme ilustrado.



9 Limpeza e manutenção



AVISO! Risco de eletrocussão

Desligue sempre o frigorífico da fonte de energia antes de efetuar quaisquer trabalhos de limpeza e manutenção.



NOTA! Risco de danos

> Não utilize utensílios de limpeza abrasivos nem objetos duros ao limpar.

- > Nunca utilize ferramentas duras ou pontiagudas para retirar camadas de gelo ou para libertar objetos congelados.
- > Assegure que não pinga água para as vedações. Tal poderá danificar o sistema eletrônico.

**NOTA! Risco de danos**

Para evitar quaisquer perigos, a fonte de luz só pode ser substituída pelo fabricante, por um agente de assistência técnica ou por uma pessoa com qualificação semelhante.

- > Limpe o interior e o exterior do frigorífico com um pano húmido regularmente e sempre que fique sujo. Seque o frigorífico com um pano após a limpeza.
- > Verifique regularmente o escoamento do condensado.

Limpe o escoamento do condensado sempre que necessário. Se este estiver entupido, o condensado acumula-se no fundo do frigorífico.

- > Limpe regularmente o pó e a sujidade do condensador com um pano húmido.

Circuito de refrigeração

O circuito de refrigeração não necessita de manutenção.

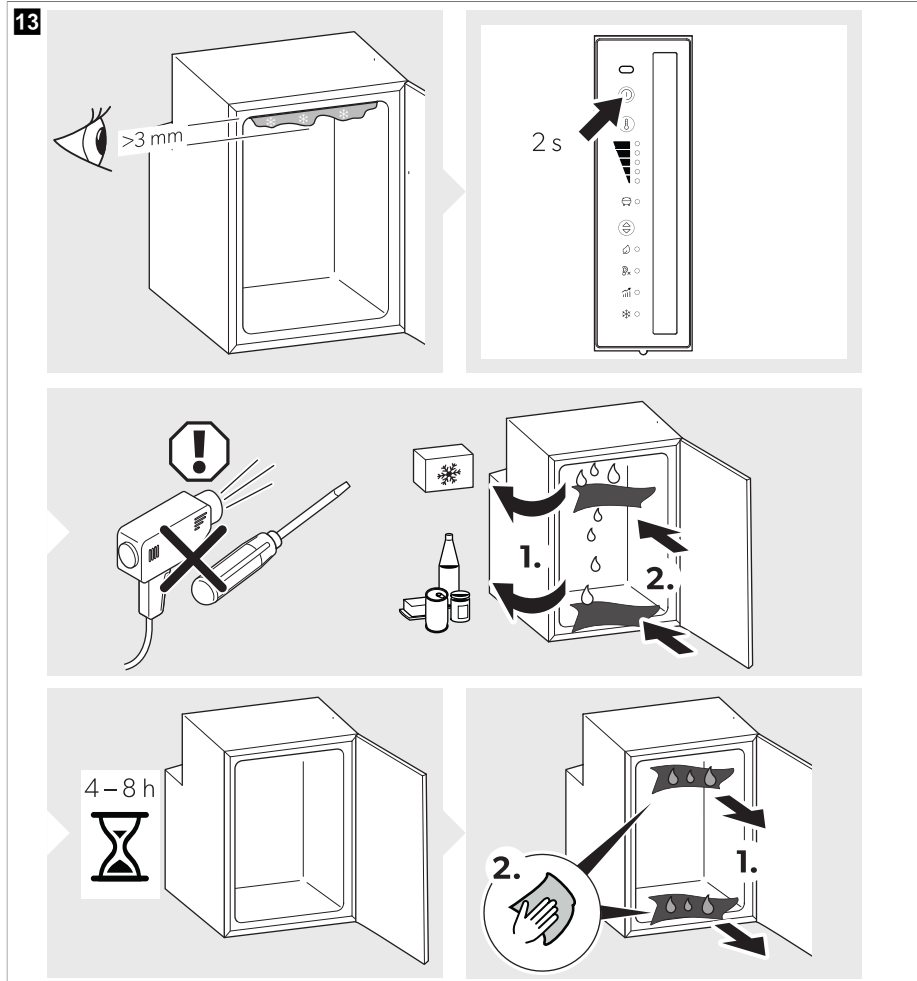
Descongela o frigorífico**NOTA! Risco de danos**

Não utilize ferramentas mecânicas ou qualquer outro tipo de ferramentas para acelerar o processo de descongelamento.



OBSERVAÇÃO Com o tempo, forma-se gelo na parede traseira no interior do frigorífico. Se essa camada de gelo atingir cerca de 3 mm (0,1 in) de espessura, descongele o frigorífico.

- > Para descongelar o frigorífico, proceda conforme ilustrado.



Colocar a porta do frigorífico na posição de armazenamento



PRECAUÇÃO! Perigo de ferimentos

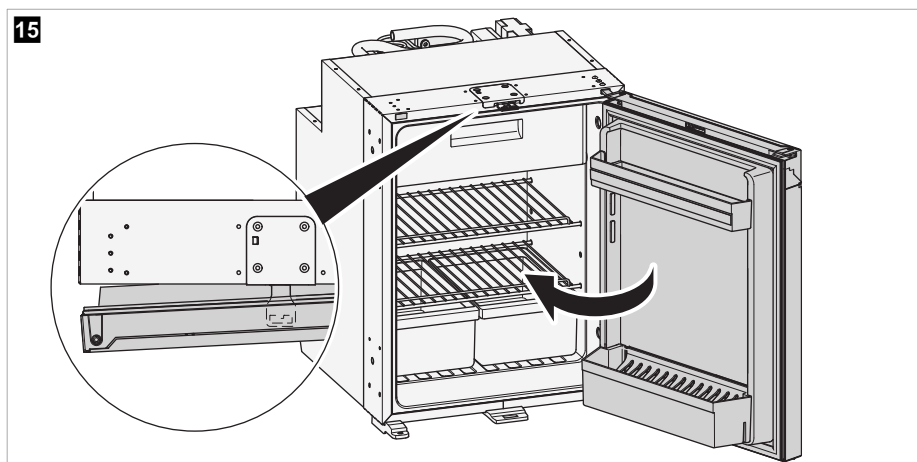
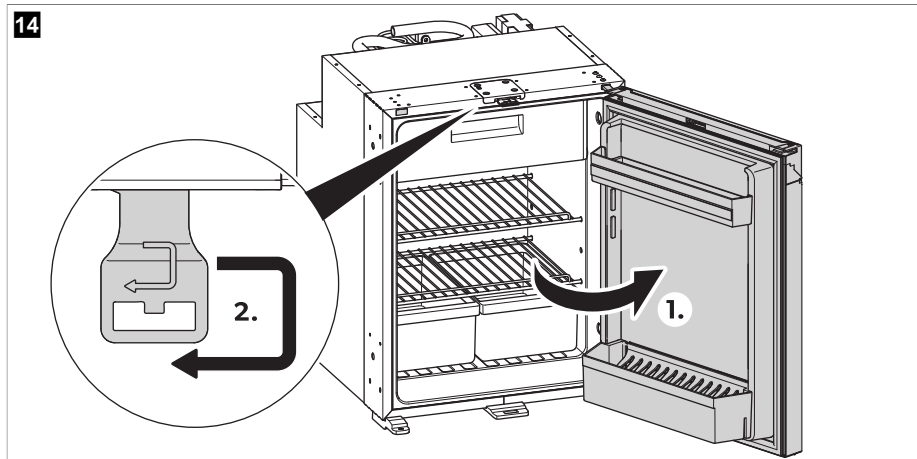
A porta do frigorífico não pode ser utilizada durante a condução.



OBSERVAÇÃO Coloque a porta do frigorífico na posição de armazenamento se prever que não vai utilizar o aparelho durante um longo período de tempo. Assim, evita-se a formação de bolor.

- > Descongele o frigorífico (consulte Descongelar o frigorífico na página 103).

> Coloque a porta do frigorífico na posição de armazenamento conforme ilustrado.

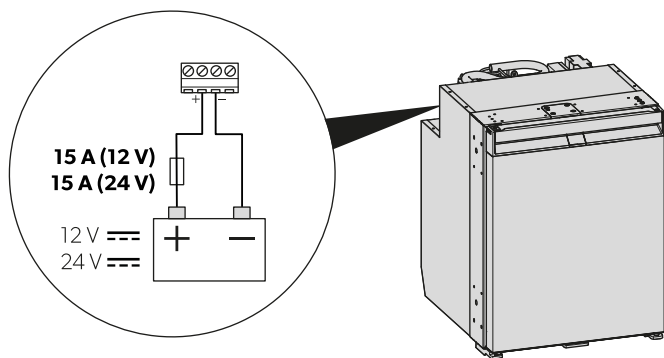



10 Resolução de falhas



OBSERVAÇÃO Para operar de forma segura os consumidores de 12 V na caravana durante a condução, há que garantir que o trator fornece uma tensão suficiente. Em alguns veículos, o sistema de gestão da bateria pode desligar automaticamente os consumidores para proteger a bateria do veículo. Informe-se junto do fabricante do seu veículo.

16



Falha	Possível causa	Sugestão de solução
O frigorífico não funciona.	O fusível no cabo de corrente contínua está queimado.	> Substitua o fusível ( fig. 16 na página 106).
	O fusível do veículo está queimado.	> Substitua o fusível do veículo. Consulte o manual de instruções do seu veículo.
	A bateria do veículo está descarregada.	> Verifique a bateria e carregue-a.
	A ignição não está ligada.	> Ligue a ignição.
	A temperatura do compressor é demasiado baixa (< 0 °C (32 °F)).	> Feche/cubra completamente todas as grelhas de ventilação externas com material isolante.
	O frigorífico desliga automaticamente se a tensão não for suficiente. (Tensão de desconexão: 10,4 V \approx)	> Carregue a bateria. O frigorífico ligar-se-á automaticamente. (Tensão de ligação: 11,7 V \approx)
A capacidade de refrigeração diminui, a temperatura interior sobe. O compressor está sempre a funcionar.	A ventilação à volta da unidade é insuficiente.	> Verifique se a grelha de ventilação está desobstruída. > Mude o frigorífico para outro local.
	As paredes interiores têm gelo.	> Verifique se a porta do frigorífico fecha de forma correta. > Assegure que a vedação do frigorífico está devidamente encaixada e não apresenta danos. > Descongele o frigorífico (consulte Descongelar o frigorífico na página 103).
	A temperatura definida é demasiado elevada.	> Defina uma temperatura mais baixa.
	A temperatura ambiente é demasiado elevada.	> Remova temporariamente a grelha de ventilação para que o ar quente se dissipe mais rapidamente.
	Foram colocados demasiados alimentos no frigorífico de uma só vez.	> Retire alguns dos alimentos.

Falha	Possível causa	Sugestão de solução
	Foram colocados demasiados alimentos quentes no frigorífico de uma só vez.	> Remova os alimentos quentes e deixe-os arrefecer antes de os colocar novamente dentro do frigorífico.
	O frigorífico não funciona há muito tempo.	> Verifique novamente a temperatura após 4 h / 5 h .
	O condensador está sujo.	> Limpe o condensador (consulte o capítulo Limpeza e manutenção na página 102).
	O ventilador está danificado.	> Contacte um agente de assistência técnica autorizado.
A capacidade de refrigeração diminui, a temperatura interior sobe. O compressor raramente funciona.	A capacidade da bateria está esgotada.	> Carregar a bateria.
A capacidade de refrigeração diminui, a temperatura interior sobe. O compressor não funciona (ligação à bateria).	Existe uma interrupção na ligação entre a bateria e o sistema eletrónico.	> Estabelecer a ligação.
	O interruptor principal está avariado (se estiver instalado).	> Substituir o interruptor principal.
	O fusível adicional na linha de alimentação está queimado (se estiver instalado).	> Substituir o fusível na linha de alimentação.
	A tensão da bateria é demasiado baixa.	> Carregar a bateria.
	A capacidade da bateria é demasiado baixa.	> Substitua a bateria.
	Os cabos estão soltos. O contacto é mau (corrosão).	> Estabelecer a ligação.
	A secção transversal do cabo é demasiado pequena.	> Substituir o cabo.
	O compressor está avariado.	> Contacte um agente de assistência técnica autorizado.
A capacidade de refrigeração diminui, a temperatura interior sobe. O compressor não funciona (ligação à tensão alternada).	A linha de alimentação da conexão está interrompida.	> Estabelecer a ligação.
	O interruptor principal está avariado (se estiver instalado).	> Substituir o interruptor principal.
	O fusível adicional na linha de alimentação está queimado (se estiver instalado).	> Substituir o fusível na linha de alimentação.
	O compressor está avariado.	> Contacte um agente de assistência técnica autorizado.
Ruídos não habituais.	Um componente do circuito de refrigeração não consegue mover-se livremente (toca na parede).	> Afaste cuidadosamente o componente da obstrução.
	Objeto estranho preso entre a unidade de refrigeração e a parede.	> Remova o objeto estranho.
	Ruído do ventilador.	> Contacte um agente de assistência técnica autorizado.

Falha	Possível causa	Sugestão de solução
A porta abre-se inadvertidamente em movimentação (por exemplo, durante a condução).	O trinco da porta está na posição A (consulte o capítulo <i>Ajustar o trinco da porta</i> na página 94).	> Coloque o trinco da porta na posição B .
A porta não fecha corretamente.	O trinco da porta está na posição A (consulte o capítulo <i>Ajustar o trinco da porta</i> na página 94).	> Coloque o trinco da porta na posição B .
	O trinco da porta está na posição B (consulte o capítulo <i>Ajustar o trinco da porta</i> na página 94), mas a porta não está devidamente trancada.	> Certifique-se de que a porta tranca corretamente ao fechar.

Indicação de erros



OBSERVAÇÃO

- > Todos os erros são indicados pelo LED indicador de erro vermelho intermitente (consulte *Elementos de comando e de indicação* na página 93). O número de vezes que este pisca depende do tipo de falha. Cada impulso luminoso dura um quarto de segundo. Após a sequência de impulsos luminosos, segue-se uma pausa. A sequência para a falha é repetida a cada quatro segundos.
- > Nos modos ECO, PERFORMANCE e FREEZER, o dispositivo emite um sinal sonoro adicional.

Frequência de intermitência luminosa	Erro	Possível causa
1	Tensão excessiva ou insuficiente	A tensão de alimentação está fora do intervalo configurado.
2	Sobrecarga do ventilador	O ventilador carrega a unidade de eletrônica com mais de 1 A.
3	O motor não arranca	O rotor está bloqueado. A diferença de pressão no sistema de refrigeração é demasiado elevada.
4	A rotação é demasiado baixa	Se o sistema de refrigeração estiver sobrecarregado, não é possível manter a rotação mínima do motor.
5	Sobreaquecimento da unidade de eletrônica	Se o sistema de refrigeração estiver demasiado sobrecarregado ou a temperatura demasiado elevada, o sistema eletrônico aquece demasiado.
Permanentemente	Erros do sensor de temperatura	O sensor da temperatura está avariado.

11 Garantia

Consulte as secções que se seguem para se informar sobre a garantia e o suporte de garantia nos EUA, no Canadá e em todas as outras regiões.

Estados Unidos e Canadá

GARANTIA LIMITADA DISPONÍVEL EM DOMETIC.COM/EN-US/SUPPORT/WARRANTY.

CASO TENHA DÚVIDAS, OU QUEIRA OBTER UMA CÓPIA GRATUITA DA GARANTIA LIMITADA, CONTACTE:

DOMETIC CORPORATION
CUSTOMER SUPPORT CENTER
5155 VERDANT DRIVE

ELKHART, INDIANA 46516
1-800-544-4881

Todas as outras regiões

Para fins de reparação ou de garantia, terá de enviar também os seguintes documentos:

- Uma cópia da fatura com a data de aquisição
- Um motivo de reclamação ou uma descrição da falha

Tenha em atenção que as reparações feitas por si ou por não profissionais podem ter consequências sobre a segurança e anular a garantia.

12 Eliminação



NOTA! Risco de danos

O isolamento do aparelho de refrigeração contém ciclopentano inflamável e requer medidas de eliminação especiais. No fim da respetiva vida útil, encaminhe o aparelho de refrigeração para um centro de reciclagem adequado.



Sempre que possível, coloque o material de embalagem no respetivo contentor de reciclagem. Informe-se junto do centro de reciclagem ou distribuidor mais próximo sobre como eliminar este produto de acordo com as disposições de eliminação aplicáveis. Europa: O produto pode ser eliminado gratuitamente.

13 Ficha de dados técnicos

	NRX0035(E/C), NRX1035S	NRX0050(E/C/T), NRX1050S	NRX0060(E/C/T), NRX1060S
Volume			
• Compartmento do frigorífico (apenas NRX0035-0130[C], NRX0050-0080[T] e NRX1035-1130[S])	27,3 L (7,21 gal)	39,6 L (10,46 gal)	48,9 L (12,92 gal)
• Compartmento para produtos congelados (apenas NRX0035-0130[C], NRX0050-0080[T] e NRX1035-1130[S])	4,4 L (1,16 gal)	4,4 L (1,16 gal)	6,1 L (1,61 gal)
• Capacidade total	32 L (8,45 gal)	44 L (11,62 gal)	55 L (14,53 gal)
• Capacidade total (compartimento para produtos congelados removido)	34 L (8,98 gal)	46 L (12,15 gal)	58 L (15,32 gal)
Tensão de ligação			
• NRX0035-0060(E/C/T)		12 / 24 V $\overline{\sim}$	
• NRX1035-1060(S)		100 ... 240 V \sim	
Proteção da bateria de alimentação (12 V)			
• Tensão de desconexão		10,4 V	

PT NRX35-130

	NRX0035(E/ C), NRX1035S	NRX0050(E/C/ T), NRX1050S	NRX0060(E/C/ T), NRX1060S
• Tensão de restabelecimento da conexão	11,7 V		
Proteção da bateria de alimentação (24 V)			
• Tensão de desconexão	22,8 V		
• Tensão de restabelecimento da conexão	24,2 V		
Classe climática	T		
Intervalo de temperatura de armazenamento:			
• Frigorífico	0 °C (32 °F) ... 12 °C (53,6 °F)		
• Compartimento para produtos congelados (apenas NRX0035-0130[C], NRX0050-0080[T] e NRX1035-1130[S])	-15 °C (5 °F) ... -5 °C (23 °F)		
• Modo FREEZER (apenas NRX0035-0130[C], NRX0050-0080[T] e NRX1035-1130[S])	-6 °C (21,2 °F)		
Temperatura ambiente com a utilização prevista	16 °C (60,8 °F) ... 43 °C (109,4 °F)		
Refrigerante	R134a		
Quantidade de líquido refrigerante existente	24 g (0,85 oz)	26 g (0,92 oz)	30 g (1,06 oz)
Potencial de aquecimento global (PAG)	1430		
Emissão de ruído (EN 60704)	40 ... 45 dB(A)	E, C, S: 40 ... 45 dB(A) T: 42 ... 45 dB(A)	
Dimensões A x L x P	525 (20,7) × 380 (15,0) × 355 mm (14,0 in) (sem compressor e espaçador) 525 mm (20,7 in) × 380 mm (15,0 in) × 480 mm (18,9 in) (com compressor e espaçador)	E, C, S: 525 mm (20,7 in) × 380 mm (15,0 in) × 510 mm (20,1 in) T: 533 mm (21,0 in) × 380 mm (15,0 in) × 510 mm (20,1 in)	E, C, S: 525 mm (20,7 in) × 448 mm (17,6 in) × 537 mm (21,1 in) T: 533 mm (21,0 in) × 448 mm (17,6 in) × 537 mm (21,1 in)
Peso líquido	E: 13,5 kg (29,77 lb) C: 16 kg (35,28 lb) S: 17 kg (37,48 lb)	E: 14,5 kg (31,97 lb) C: 17,5 kg (38,59 lb) S: 18,5 kg (40,79 lb) T: 15 kg (33,08 lb)	C: 17 kg (37,48 lb) S: 18 kg (39,69 lb) E, T: 16 kg (35,28 lb)
Carga máxima			

	NRX0035(E/C), NRX1035S	NRX0050(E/C/T), NRX1050S	NRX0060(E/C/T), NRX1060S
<ul style="list-style-type: none"> • Por prateleira de porta • Por porta 	4 kg (8,82 lb) E: 4 kg (8,82 lb) C/S: 8 kg (17,64 lb)	4 kg (8,82 lb) E: 4 kg (8,82 lb) C/S: 8 kg (17,64 lb)	5 kg (11,02 lb) E: 5 kg (11,02 lb) C/S: 10 kg (22,05 lb)
	NRX0080(E/C/T), NRX1080S	NRX1115S	NRX1130S
Volume			
<ul style="list-style-type: none"> • Compartimento do frigorífico (apenas NRX0035-0130[C], NRX0050-0080[T] e NRX1035-1130[S]) 	68,4 L (18,07 gal)	104,5 L (27,61 gal)	118 L (31,18 gal)
<ul style="list-style-type: none"> • Compartimento para produtos congelados) (apenas NRX0035-0130[C], NRX0050-0080[T] e NRX1035-1130[S]) 	6,6 L (1,74 gal)	8,2 L (2,17 gal)	8,2 L (2,17 gal)
<ul style="list-style-type: none"> • Capacidade total 	75 L (19,82 gal)	113 L (29,85 gal)	126 L (33,29 gal)
<ul style="list-style-type: none"> • Capacidade total (compartimento para produtos congelados removido) 	78 L (20,61 gal)	116 L (30,65 gal)	130 L (34,35 gal)
Tensão de ligação			
<ul style="list-style-type: none"> • NRX1080-1130(S) 		12 / 24 V== 100 ... 240 V~	
<ul style="list-style-type: none"> • NRX0080-0130(E/C), NRX0080T 		12 / 24 V==	
Proteção da bateria de alimentação (12 V)			
<ul style="list-style-type: none"> • Tensão de desconexão • Tensão de restabelecimento da conexão 		10,4 V 11,7 V	
Proteção da bateria de alimentação (24 V)			
<ul style="list-style-type: none"> • Tensão de desconexão • Tensão de restabelecimento da conexão 		22,8 V 24,2 V	
Classe climática		T	
Intervalo de temperatura de armazenamento			
<ul style="list-style-type: none"> • Frigorífico 		0 °C (32 °F) ... 12 °C (53,6 °F)	
<ul style="list-style-type: none"> • Compartimento para produtos congelados) (apenas NRX0035-0130C/T e NRX1035-1130S) 		-15 °C (5 °F) ... -5 °C (23 °F)	

	NRX0080(E/C/T), NRX1080S	NRX1115S	NRX1130S
• Modo FREEZER (apenas NRX0035-0130C/T e NRX1035-1130S)	-6 °C (21,2 °F)		
Temperatura ambiente com a utilização prevista	16 °C (60,8 °F) ... 43 °C (109,4 °F)		
Refrigerante	R1234yf		
Quantidade de líquido refrigerante existente	E, C, S: 28 g (0,99 oz) T: 32 g (1,13 oz)	32 g (1,13 oz)	32 g (1,13 oz)
Potencial de aquecimento global (PAG)	4		
Emissão de ruído (EN 60704)	E, C, S: 40 ... 45 dB(A) T: 42 ... 45 dB(A)	40 ... 45 dB(A)	
Dimensões A x L x P	E, C, S: 625 (24,6) × 475 (18,7) × 537 mm (21,1 in) 633 (24,9) × 475 (18,7) × 537 mm (21,1 in)	745 (29,3) × 525 (20,7) × 568 mm (22,4 in)	812 (32,0) × 525 (20,7) × 568 mm (22,4 in)
Peso líquido	C: 20 kg (44,1 lb) S: 21 kg (46,30 lb) E, T: 18 kg (39,69 lb)	C: 26 kg (57,33 lb) S: 27 kg (59,54 lb) E: 24 kg (52,92 lb)	C: 27 kg (59,54 lb) S: 28 kg (61,74 lb) E: 25 kg (55,12 lb)
Carga máxima			
• Por prateleira de porta	5 kg (11,02 lb)	6 kg (13,23 lb)	6 kg (13,23 lb)
• Por porta	10 kg (22,05 lb)	E: 12 kg (26,46 lb) C/S: 18 kg (39,69 lb)	E: 12 kg (26,46 lb) C/S: 18 kg (39,69 lb)

14 Aviso legal

Este dispositivo encontra-se em conformidade com a Parte 15 das Normas FCC. O funcionamento está sujeito às duas condições seguintes:

- Este dispositivo não pode causar uma interferência prejudicial.
- Este dispositivo deve aceitar qualquer interferência recebida, incluindo interferência que possa causar um funcionamento indesejado.

Alterações ou modificações não aprovadas expressamente pela parte responsável pela conformidade podem anular a autoridade do utilizador para operar o equipamento. Este equipamento foi testado e considerado em conformidade com os limites para um aparelho digital de Classe B, de acordo com a Parte 15 das Normas FCC. Estes limites são concebidos para proporcionar uma proteção razoável contra interferências prejudiciais numa instalação residencial. Este equipamento gera, utiliza e pode irradiar energia de radiofrequências e, caso não seja instalado e utilizado de acordo com as instruções, pode causar uma interferência prejudicial às comunicações por rádio. Todavia, não existe qualquer garantia que a interferência não irá ocorrer numa instalação particular. Se este equipamento causar uma interferência prejudicial à receção de rádio ou televisão, que pode ser determinada

ligando e desligando o equipamento, o utilizador é encorajado a tentar corrigir a interferência através de uma ou mais das seguintes medidas:

- Reorientar ou realocar a antena de receção.
- Aumentar a distância entre o equipamento e o recetor.
- Ligar o equipamento a uma tomada num circuito diferente daquele ao qual o recetor está ligado.
- Consultar o distribuidor ou um técnico de rádio/televisão experiente para obter ajuda.

Este aparelho está em conformidade com a(s) norma(s) RSS isentas de licença da Industry Canada. O funcionamento está sujeito às duas condições seguintes:

- Este dispositivo não pode causar interferências.
- Este dispositivo deve aceitar quaisquer interferências, incluindo interferências que possam causar um funcionamento indesejado do dispositivo. Este aparelho digital de Classe B cumpriu a norma canadiana ICES-3(B)/NBM-3(B).

dometic.com

**YOUR LOCAL
DEALER**

dometic.com/dealer

**YOUR LOCAL
SUPPORT**

dometic.com/contact

**YOUR LOCAL
SALES OFFICE**

dometic.com/sales-offices
