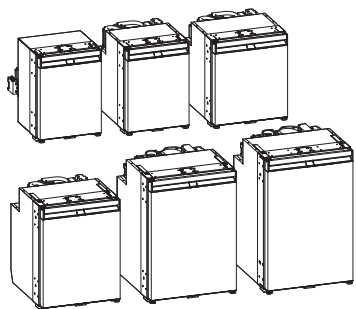


# ↔ DOMETIC

# REFRIGERATION

# NRX



**NRX0035,0050,0060,0080,0115,0130 (E/C/S)**

|           |   |     |           |  |     |
|-----------|---|-----|-----------|--|-----|
| <b>EN</b> | <b>Compressor refrigerator</b><br>Operating Manual.....         | 3   | <b>SK</b> | <b>Kompresorová chladnička</b><br>Návod na obsluhu.....            | 327 |
| <b>DE</b> | <b>Kompresor-Kühlschrank</b><br>Bedienungsanleitung.....        | 30  | <b>CS</b> | <b>Kompresorová chladnička</b><br>Návod k obsluze.....             | 354 |
| <b>FR</b> | <b>Réfrigérateur à compresseur</b><br>Manuel d'utilisation..... | 57  | <b>HU</b> | <b>Kompreszoros hűtőszekrény</b><br>Használati utasítás.....       | 381 |
| <b>ES</b> | <b>Nevera de compresor</b><br>Instrucciones de uso.....         | 84  | <b>HR</b> | <b>Kompresorski hladnjak</b><br>Upute za rukovanje.....            | 408 |
| <b>PT</b> | <b>Frigorífico com compressor</b><br>Manual de instruções.....  | 111 | <b>TR</b> | <b>Kompresörlü buzdolabı</b><br>Kullanma Kılavuzu.....             | 435 |
| <b>IT</b> | <b>Frigorifero a compressore</b><br>Istruzioni per l'uso.....   | 138 | <b>SL</b> | <b>Kompresorski hladilnik</b><br>Navodilo za uporabo.....          | 462 |
| <b>NL</b> | <b>Compressorkoelkast</b><br>Gebruiksaanwijzing.....            | 165 | <b>RO</b> | <b>Frigider cu compresor</b><br>Instrucţiuni de operare.....       | 489 |
| <b>DA</b> | <b>Kompresorkøleskab</b><br>Betjeningsvejledning.....           | 192 | <b>BG</b> | <b>Хладилник на компресора</b><br>Инструкция за експлоатация.....  | 516 |
| <b>SV</b> | <b>Kylskåp med kompressor</b><br>Bruksanvisning.....            | 219 | <b>ET</b> | <b>Kompresorkülmik</b><br>Kasutusjuhend.....                       | 544 |
| <b>NO</b> | <b>Kompresorkjøleskap</b><br>Bruksanvisning.....                | 246 | <b>EL</b> | <b>Ψυγείο συμπιεστή</b><br>Οδηγίες χειρισμού.....                  | 571 |
| <b>FI</b> | <b>Kompessorijääkaappi</b><br>Käyttöohje.....                   | 273 | <b>LT</b> | <b>Kompresorinis šaldytuvas</b><br>Naudojimo vadovas.....          | 600 |
| <b>PL</b> | <b>Lodówka sprężarkowa</b><br>Instrukcja obsługi.....           | 300 | <b>LV</b> | <b>Kompresora tipa ledusskapis</b><br>Lietošanas rokasgrāmata..... | 627 |

## Copyright

© 2025 Dometic Group. The visual appearance of the contents of this manual is protected by copyright and design law. The underlying technical design and the products contained herein may be protected by design, patent or pending patent. The trademarks mentioned in this manual belong to Dometic Sweden AB. All rights are reserved.



# English

|    |                               |    |
|----|-------------------------------|----|
| 1  | Important notes.....          | 3  |
| 2  | Explanation of symbols.....   | 3  |
| 3  | Safety instructions.....      | 4  |
| 4  | Scope of delivery.....        | 6  |
| 5  | Accessories.....              | 7  |
| 6  | Intended use.....             | 8  |
| 7  | Technical description.....    | 8  |
| 8  | Operation.....                | 11 |
| 9  | Cleaning and maintenance..... | 19 |
| 10 | Troubleshooting.....          | 22 |
| 11 | Warranty.....                 | 25 |
| 12 | Disposal.....                 | 25 |
| 13 | Technical data.....           | 26 |
| 14 | Technical data.....           | 28 |

## 1 Important notes

Please read these instructions carefully and follow all instructions, guidelines, and warnings included in this product manual in order to ensure that you install, use, and maintain the product properly at all times. These instructions **MUST** stay with this product.

By using the product, you hereby confirm that you have read all instructions, guidelines, and warnings carefully and that you understand and agree to abide by the terms and conditions as set forth herein. You agree to use this product only for the intended purpose and application and in accordance with the instructions, guidelines, and warnings as set forth in this product manual as well as in accordance with all applicable laws and regulations. A failure to read and follow the instructions and warnings set forth herein may result in an injury to yourself and others, damage to your product or damage to other property in the vicinity. This product manual, including the instructions, guidelines, and warnings, and related documentation, may be subject to changes and updates. For up-to-date product information, please visit [documents.dometic.com](http://documents.dometic.com).

## 2 Explanation of symbols

A signal word will identify safety messages and property damage messages, and also will indicate the degree or level of hazard seriousness.



### **DANGER!**

Indicates a hazardous situation that, if not avoided, will result in death or serious injury.



### **WARNING!**

Indicates a hazardous situation that, if not avoided, could result in death or serious injury.



### **CAUTION!**

Indicates a hazardous situation that, if not avoided, could result in minor or moderate injury.



### **NOTICE!**

Indicates a situation that, if not avoided, can result in property damage.



**NOTE** Supplementary information for operating the product.

## 3 Safety instructions

### General safety



#### **WARNING! Electrocutation hazard**

- > Installation and removal of the refrigerator may only be carried out by qualified personnel.
- > Installation in washrooms and areas exposed to water must be performed by a qualified technician.
- > If installing the refrigerator under a canopy or similar environment, ensure that the refrigerator is protected from rain and splashing water.
- > Do not operate the refrigerator if it is visibly damaged.
- > This refrigerator may only be repaired by qualified personnel. Improper repairs can result in considerable danger or damage to the refrigerator.
- > If the power cable for this refrigerator is damaged, it must be replaced by the manufacturer, customer service or a similarly qualified person in order to prevent safety hazards.
- > When positioning the refrigerator, ensure the supply cord is not trapped or damaged.
- > Do not locate multiple portable socket-outlets or portable power supplies at the rear of the refrigerator.
- > Do not touch exposed cables with your bare hands.
- > Plug the device to sockets that ensure proper connection especially when the device needs to be grounded.
- > If the device is powered by the mains, ensure that the power supply has a residual current circuit breaker (RCCB) or a ground fault circuit interrupter (GFCI). The installation must be carried out in accordance with all applicable regulations, especially in potentially damp areas.



#### **WARNING! Fire hazard**

- > The refrigeration circuit contains a small quantity of an environmentally friendly refrigerant. It does not damage the ozone layer and does not increase the greenhouse effect. Any leaking refrigerant may ignite.
- > Do not use or store the refrigerator in confined spaces with none or minimal air flow.
- > Keep the installation recess for the refrigerator free of any electrical components and light sources which during normal or abnormal operation produce sparks or arcs (i.e., relays or fuse boxes).
- > The insulation of the refrigerator contains flammable cyclopentane and requires special disposal procedures. Deliver the refrigerator at the end of its life-cycle to an appropriate recycling center.



#### **WARNING! Explosion hazard**

Do not store any explosive substances, such as aerosol cans with propellants, in the refrigerator.



#### **WARNING! Health hazard**

- > This refrigerator can be used by children aged from 8 years and above and persons with reduced physical, sensory or mental capabilities or lack of experience and knowledge if they have been given supervision or instruction concerning use of the refrigerator in a safe way and understand the hazards involved.
- > Children aged from 3 to 8 years are allowed to load and unload the refrigerator.
- > Cleaning and user maintenance shall not be made by children without supervision.
- > Children must be supervised to ensure that they do not play with the refrigerator.



#### **WARNING! Risk of child entrapment**

- > Ensure that the shelves are mounted and secured so that children cannot lock themselves in the refrigerator.
- > Before disposing of your old refrigerator:

- Dismantle the drawers.
  - Leave the shelves in the refrigerator so that children cannot climb inside.
- > Take off the doors.



#### **CAUTION! Health hazard**

- > To avoid a hazard due to instability of the refrigerator, it must be fixed in accordance with the installation instructions.
- > Keep ventilation openings, on the refrigerator and in its enclosure or in the built-in structure, clear of obstruction.
- > Do not use mechanical devices or other means to accelerate the defrosting process, other than those recommended by the manufacturer.
- > Do not open or damage the refrigerant circuit under any circumstances.
- > Do not use electrical devices inside the refrigerator unless they are recommended by the manufacturer for that purpose.



#### **CAUTION! Risk of injury**

- > Do not use or store flammable materials in or near this refrigerator.
- > Do not place articles on or against this refrigerator.
- > Do not modify this refrigerator.



#### **NOTICE! Damage hazard**

- > Only select operation with DC power supply if the vehicle engine is running and providing sufficient voltage, or if you are using a battery monitor.
- > If present, keep the condensate drain clean at all times.
- > If the refrigerator has ventilation grilles, do not use a high-pressure cleaner near the ventilation grille when cleaning the vehicle.
- > The refrigerator shall not be exposed to rain.
- > Never pull the plug out of the socket by the connection cable.

## **Operating the refrigerator safely**



#### **DANGER! Electrocutation hazard**

Before starting the refrigerator, ensure that the power supply line and the plug are dry.



#### **CAUTION! Health hazard**

- > Ensure to put only items in the refrigerator which may be chilled at the selected temperature.
- > Clean regularly surfaces that can come in contact with food and accessible drainage systems.
- > Store raw meat and fish in suitable containers in the refrigerator, so that it is not in contact with and cannot drip onto other food.
- > Opening the door for long periods can cause a significant increase of the temperature in the compartments of the refrigerator. If the refrigerator is left empty for long periods:
  - Switch off the refrigerator.
  - Defrost the refrigerator.
  - Clean and dry the refrigerator.
  - Leave the door open to prevent mold developing within the refrigerator. If available, put the refrigerator door and the freezer door into the winter position.

**CAUTION! Risk of injury**

- > Do not put your fingers into the hinge.
- > Close and latch the refrigerator door before beginning a journey.
- > The cooling system at the back of the refrigerator becomes very hot during operation. If the refrigerator is equipped with ventilation grilles, protect yourself from contact with hot parts when removing the ventilation grilles.
- > The device door or the freezer door can completely detach from the device if used incorrectly. Push the doors closed until you hear a clear click at the top and bottom.

**NOTICE! Damage hazard**

- > Do not lean on the open refrigerator door.
- > Store heavy objects such as bottles or cans only in the refrigerator door, in the vegetable compartment or on the bottom shelf.
- > If the refrigerator has a double-sided door and the door is not locked correctly on the opposite side, push on that side at the top and the bottom until it locks in place.
- > **Danger of overheating!** Always ensure sufficient ventilation so that the heat generated during operation can dissipate. Ensure that the refrigerator is sufficiently far away from walls and other objects so that the air can circulate.
- > Do not fill the interior with ice or fluid.
- > Protect the refrigerator and the cable against heat and moisture.
- > Never pull the plug out of the socket by the connection cable.

**NOTE**

- > If the battery management system of your vehicle shuts down the refrigerator to protect the battery, contact your vehicle manufacturer.
- > For ambient temperatures of 15 °C ... 25 °C select the average temperature setting.
- > If the door is not locked correctly on the opposite side, push on that side at the top and the bottom until it locks in place.
- > To avoid food waste, note the following:
  - Keep temperature fluctuation as low as possible. Only open the freezer as often and for as long as necessary. Store the foodstuff in such a way that the air can still circulate well.
  - Ensure to put only items in the refrigerator which may be chilled at the selected temperature.
  - Store the different foodstuff types as shown in the figures.
  - If the temperature can be adjusted: Adjust the temperature to the quantity and type of the foodstuff.
  - Foodstuff can easily absorb or release odor or taste. Always store foodstuff covered or in closed containers/bottles.

## 4 Scope of delivery

| Quantity | Description                    |
|----------|--------------------------------|
| 1        | Compressor refrigerator        |
| 1        | Drain elbow                    |
| 1        | Short operating manual         |
| 1        | Operating manual (online only) |
| 1        | Installation manual            |

## 5 Accessories

Available as accessories (not included in the scope of delivery):

| Description  | Ref. no.   |
|--|--|
| Sliding hinge  | 9620012939   |
| Fastening frame including bottom frame <ul style="list-style-type: none"> <li data-bbox="90 347 277 371">• NRX0035, NRX0050</li> <li data-bbox="90 400 194 424">• NRX0060</li> <li data-bbox="90 453 194 477">• NRX0080</li> <li data-bbox="90 505 188 529">• NRX0115</li> <li data-bbox="90 558 194 582">• NRX0130</li> </ul>         | 9620012877<br>9620012881<br>9620012882<br>9620012878<br>9620012876 |
| Fastening frame including bottom frame (black) <ul style="list-style-type: none"> <li data-bbox="90 647 277 671">• NRX0035, NRX0050</li> <li data-bbox="90 700 194 724">• NRX0060</li> <li data-bbox="90 753 194 777">• NRX0080</li> <li data-bbox="90 805 188 829">• NRX0115</li> <li data-bbox="90 858 194 882">• NRX0130</li> </ul> | 9620012874<br>9620012875<br>9620012880<br>9620012879<br>9620012883 |
| Shelf replacement for removed frozen compartment <ul style="list-style-type: none"> <li data-bbox="90 948 277 971">• NRX0035, NRX0050</li> <li data-bbox="90 1000 194 1024">• NRX0060</li> <li data-bbox="90 1053 194 1077">• NRX0080</li> <li data-bbox="90 1106 269 1129">• NRX0115, NRX0130</li> </ul>                              | 9620012933<br>9620012938<br>9620012935<br>9620012932               |
| Frozen compartment <ul style="list-style-type: none"> <li data-bbox="90 1200 277 1224">• NRX0035, NRX0050</li> <li data-bbox="90 1252 194 1276">• NRX0060</li> <li data-bbox="90 1305 194 1329">• NRX0080</li> <li data-bbox="90 1358 269 1382">• NRX0115, NRX0130</li> </ul>  | 9620012931<br>9620012936<br>9620012934<br>9620012937               |

| Description   | Ref. no.                           |
|---------------|------------------------------------|
| AC/DC Adapter | 9620013449 (EU)<br>9620013450 (UK) |

## 6 Intended use

The refrigerator is intended for:

- Installation in caravans, motor homes, boats, and trucks
- Cooling and storing food
- **NRX0035–0130(C/S) only:** Storing prefrozen food
- Indoor use

This refrigerator is not intended for commercial, retail or household applications.

The refrigerator is **not** suitable for:

- Storing medications
- Storing corrosive substances or substances that contain solvents
- Quick-freezing food
- Outdoor use

When used on boats, the device shall be installed in a dayroom area and not open deck.

The frozen compartment is suitable for storing pre-frozen food, storing or making ice cream and making ice cubes. It is not suitable for freezing previously unfrozen food.

The refrigerator is intended for installation in a piece of cabinetry or an installation niche.

Optimum cooling performance is provided at ambient temperatures between 16 °C ... 43 °C and at a maximum humidity of 90 % .

This product is only suitable for the intended purpose and application in accordance with these instructions.

This manual provides information that is necessary for proper installation and/or operation of the product. Poor installation and/or improper operation or maintenance will result in unsatisfactory performance and a possible failure.

The manufacturer accepts no liability for any injury or damage to the product resulting from:

- Incorrect installation, assembly or connection, including excess voltage
- Incorrect maintenance or use of spare parts other than original spare parts provided by the manufacturer
- Alterations to the product without express permission from the manufacturer
- Use for purposes other than those described in this manual

Dometic reserves the right to change product appearance and product specifications.

## 7 Technical description

The refrigerator is a compressor refrigerator.

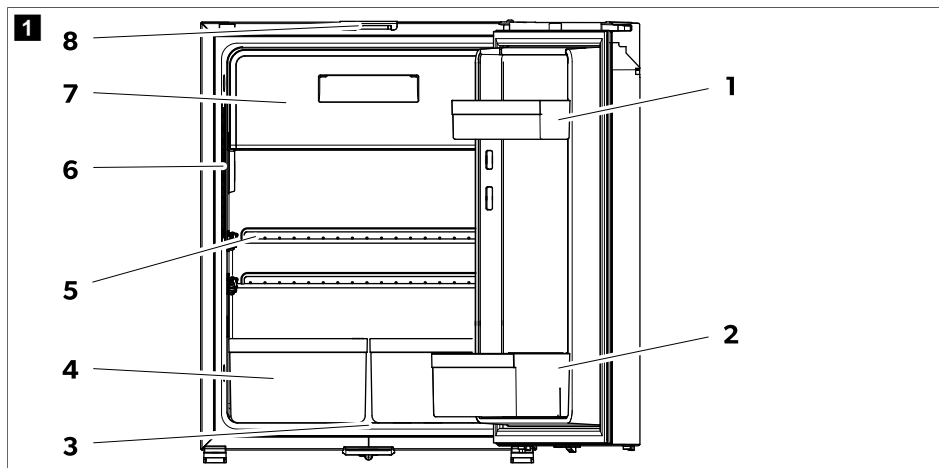
The refrigerator is designed to operate with different types of power and can be run either on a DC or AC power supply.

NRX0035–0130(C/S): The model is factory fitted with a frozen compartment, which can be removed and reinstalled.

The refrigerator door has a latching mechanism to protect it during transport.

All materials used in the refrigerator are compatible for use with foodstuffs.

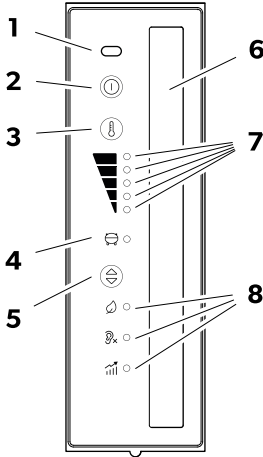
## Description of the device



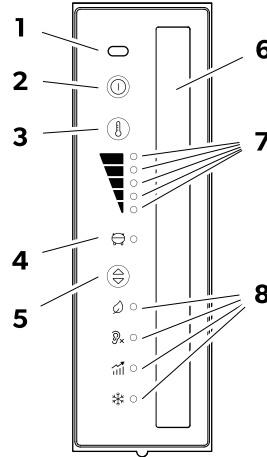
| No. | Explanation  |
|-----|--|
| 1   | Door shelf (NRX0035-0130[C/S], NRX0080-0130[E] only) |
| 2   | Bottle shelf   |
| 3   | Condensate drain                                     |
| 4   | Crisper (only NRX0035-0130[C/S])                     |
| 5   | Cabinet shelf  |
| 6   | Control panel with display                           |
| 7   | Frozen compartment (only NRX0035-0130[C/S])          |
| 8   | Door latch for ventilation                           |


**Control and display elements**

**NRX0035 – 0130 (E)**



**NRX0035 – 0130 (C/S)**



| No. | Explanation  |
|-----|--|
| 1   | IR door opening sensor   |
| 2   | Ⓞ ON/OFF button  |
| 3   | Ⓜ Cooling level setting button   |
| 4   | Compressor and error indicator LED   |
| 5   | Ⓢ Operation mode button  |
| 6   | Interior lighting  |
| 7   | Cooling level indicator LEDs<br> <ul style="list-style-type: none"> <li>■ Cooling Level 5</li> <li>■ Cooling level 4</li> <li>■ Cooling level 3</li> <li>■ Cooling level 2</li> <li>■ Cooling level 1</li> </ul> |
| 8   | Operation mode indicator LEDs  |

**Compressor and error indicator LED**





The compressor and error indicator LED displays the operating status of the compressor or indicates an error:

| Color             | Description                                     |
|-------------------|---|
| White             | Compressor on                                   |
| Orange            | Compressor off                                  |
| Orange (flashing) | Error (see chapter Error indication on page 25) |



## Operation mode indicator LEDs

The operation mode indicator LEDs display the following setting options:

| Symbol  | Description   |
|---|---|
|  | ECO mode:<br>Operation with reduced energy -consumption.<br>Cooling level 1 – 3   |
|  | QUIET mode:<br>Operation with reduced noise level.<br>Cooling level 1 – 4   |
|  | PERFORMANCE mode:<br>Cooling level 1 – 5  |
|  | FREEZER mode (NRX0035-0130[C/S] only):<br>Operation with frozen compartment removed. Cools down the complete interior of the refrigerator to $-6^{\circ}\text{C}$ . |

## 8 Operation

### 8.1 Before first use

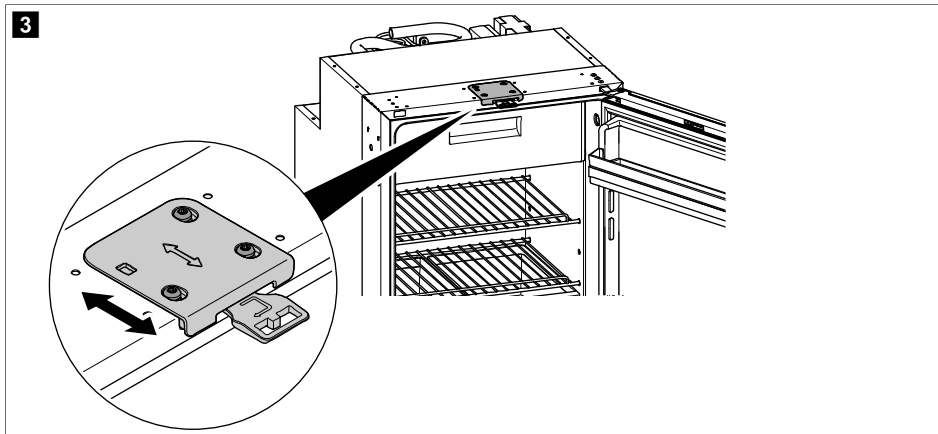


#### NOTE

- > Do not store goods in the refrigerator for the first 4 hours after start-up.
- > When using the refrigerator for the first time, there may be a mild odor which will disappear after a few hours. Air out the living space well.
- > The cooling capacity can be affected by:
  - The ambient temperature (e.g. when the vehicle is exposed to direct sunlight)
  - The amount of food to be refrigerated
  - How often the door is opened
- > Clean the inside of the refrigerator for hygienic reasons (see [Cleaning and maintenance](#) on page 19).
- > Park the vehicle so that it is level, especially when starting up and filling the refrigerator before setting off on a journey.

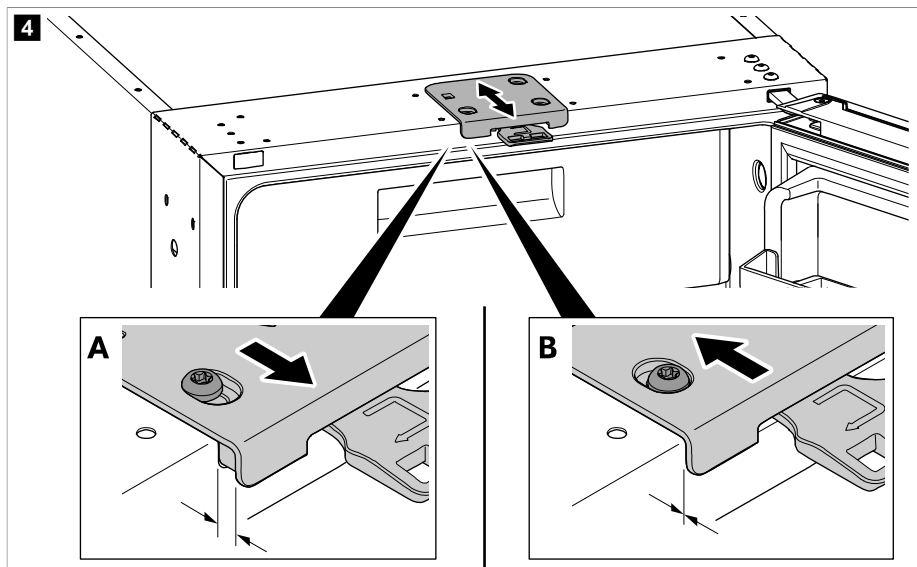
#### 8.1.1 Adjusting the door latch

The door latch on the top of the refrigerator can be adjusted to regulate the closing width of the door.



**i** **NOTE** Check whether the adjustable door latch is installed. If necessary, order the adjustable door latch (dometic.com) and replace the fixed door latch with the adjustable door latch.

> The door latch is set to position **A** at the factory. Move the door latch to position **B**.



**i** **NOTE** If the door latch is in position **B**, ensure that the door latches properly when closing (see chapter Closing and securing the refrigerator door on page 14).

## 8.2 Information on storing food



### CAUTION! Health hazard

If the refrigerator is exposed to an ambient temperature below 10 °C for an extended period of time, regulation of the frozen compartment temperature can no longer be guaranteed. That may cause the temperature of the frozen compartment to increase and the stored goods to be defrosted.

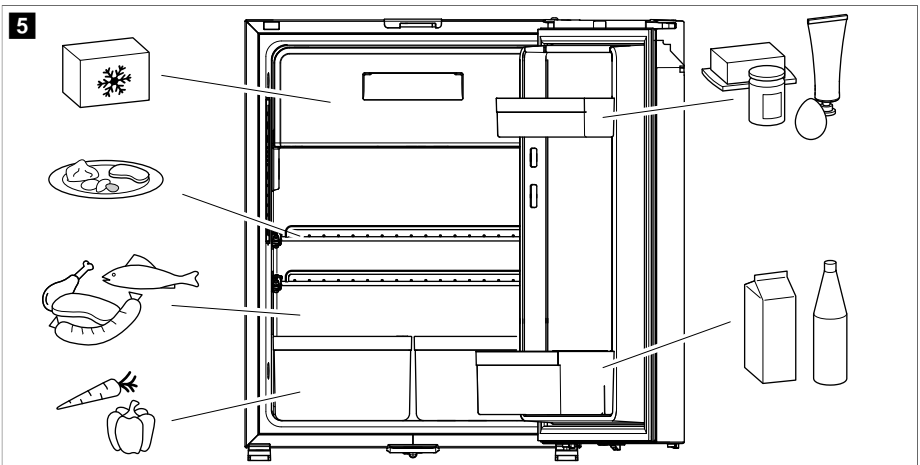


### NOTICE! Damage hazard

- > Observe the maximum load per door shelf and door when filling the refrigerator (see Technical data on page 26).
- > Do not keep carbonated drinks in the frozen compartment.

To avoid food waste, note the following:

- Keep temperature fluctuation as low as possible. Only open the refrigerator as often and for as long as necessary. Store the foodstuff in such a way that the air can still circulate well.
  - Adjust the temperature to the quantity and type of the foodstuff.
  - Store the different foodstuff types as shown in the figures.
  - Foodstuff can easily absorb or release odor or taste. Always store foodstuff covered or in closed containers/bottles.
- > Store food as shown.



## 8.3 Saving energy

- Only open the refrigerator as often and for as long as necessary.
- Allow warm food to cool down first before placing it in the device to keep cool.
- Defrost your refrigerator as soon as a layer of ice forms.
- Avoid unnecessarily low temperature settings.
- For optimal energy consumption, position the shelves and drawers according to their position on delivery.
- On a regular basis, ensure the door seal still fits properly.
- Clean dust and dirt from the condenser at regular intervals.

## 8.4 Using the refrigerator door



### CAUTION! Risk of injury

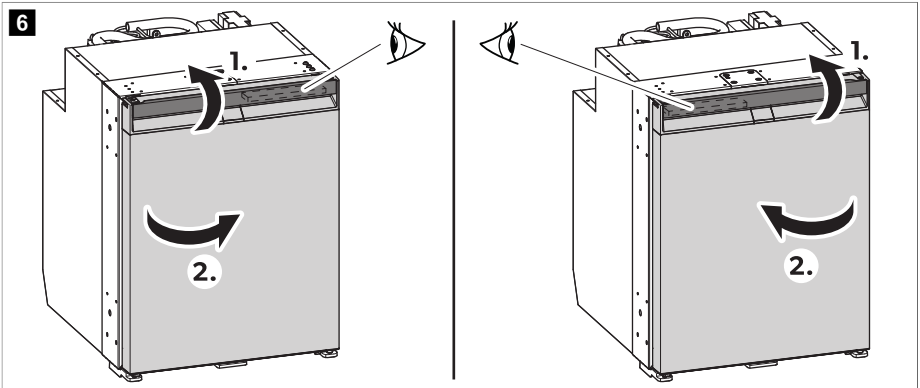
The refrigerator door and the frozen compartment door can completely detach from the device if used incorrectly.

### 8.4.1 Opening the refrigerator door



**NOTE** Ensure to pull the handle on the opposite side to the door stop. Note the respective position of the slider. Refer to the associated installation manual.

> To open the refrigerator door proceed as shown.



### 8.4.2 Closing and securing the refrigerator door



### CAUTION! Risk of injury

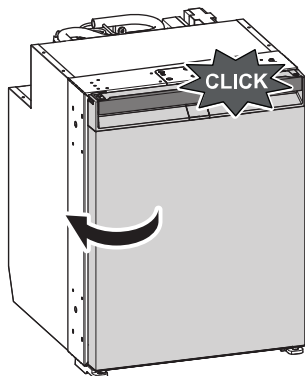
If the door is not secured correctly, carefully push on the top and bottom of the door until it is secured in place.



**NOTE** The refrigerator door has a latching mechanism which is also used to protect it during transport.

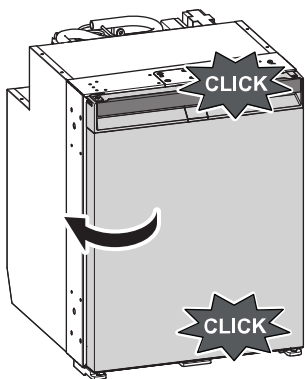
- > NRX0035-0130(E): Press the door shut until you clearly hear it click at the top.

## 7 NRX0035 – 0130 (E)



- > NRX0035-0130(C/S): Press the door shut until you clearly hear it click at the top and bottom.

## 8 NRX0035 – 0130 (C/S)





- ✓ The door is now closed and secured.

## 8.5 Switching on and off



**NOTE** Always switch off the refrigerator if it will not be used for a prolonged period of time.

- > To switch on, press and hold the  button once for at least 2 s .
- ✓ The refrigerator switches on with the last selected cooling level setting and operation mode.
- > To switch off, press and hold the  button for at least 2 s .

## 8.6 Setting the operation modes



**NOTE** When using the ECO, PERFORMANCE or FREEZER mode the system stays in this mode until further changes.

- > To set the operation mode, press the button repeatedly until the operation mode indicator LED for the desired operation mode lights up.

The following operation modes are available:

### Using the ECO mode

With the ECO mode activated the refrigerator operates with reduced energy consumption at cooling levels 1 – 3.

- ✓ The operation mode indicator LED for the ECO mode () and the selected cooling level indicator LED light up.

### Using the QUIET mode

With the QUIET mode activated the refrigerator operates with reduced noise level at cooling levels 1 – 4.



#### **NOTE**

- > The QUIET mode is not available if the refrigerator is running in FREEZER mode.
- > When using the QUIET mode the refrigerator will stay in this mode for 8 h and then return to the previously selected mode (ECO or PERFORMANCE mode).

- ✓ The operation mode indicator LED for the QUIET mode () and the selected cooling level indicator LED light up.

### Using the PERFORMANCE mode

With the PERFORMANCE mode activated the refrigerator operates in standard mode at cooling levels 1 – 5.

- ✓ The operation mode indicator LED for the PERFORMANCE mode () and the selected cooling level indicator LED light up.

### Using the FREEZER mode

With the FREEZER mode activated the complete interior of the refrigerator is cooled to  $-6\text{ }^{\circ}\text{C}$ .



**NOTE** Remove the frozen compartment to use the FREEZER mode.

- ✓ The operation mode indicator LED for the FREEZER mode () and all cooling level indicator LEDs light up continuously.

## 8.7 Setting the cooling level

- > To set the cooling level, press the button repeatedly until the desired cooling level is reached.

## 8.8 Repositioning the shelves



#### **WARNING! Risk of child entrapment**

NRX0060–0130: All shelves are fixed in place to prevent children from climbing into the refrigerator.

- > Only remove the shelves for cleaning purposes.

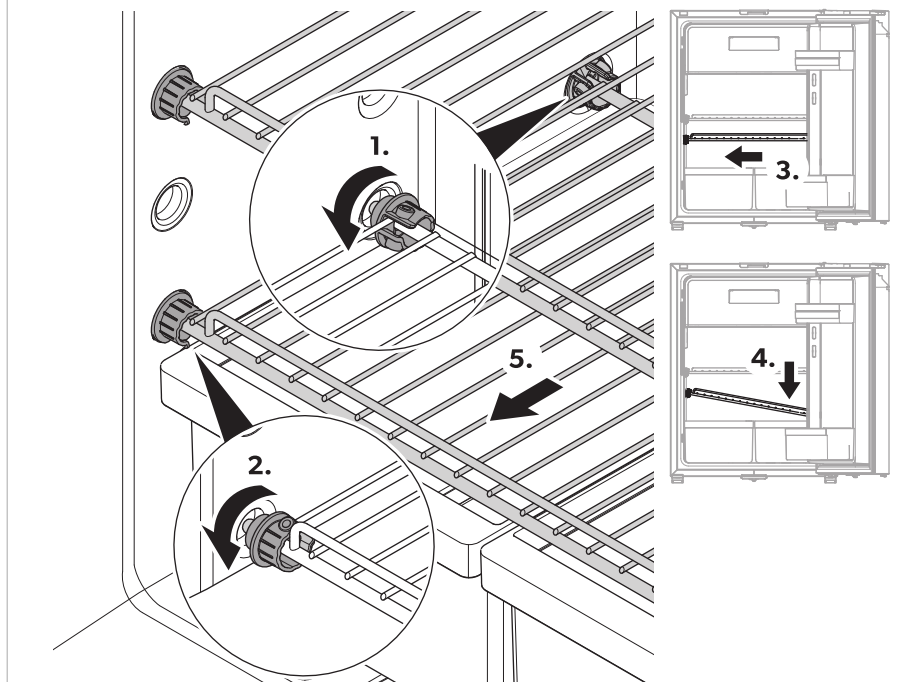
- > Refit the shelves and secure them in place.



**NOTE** Remove the frozen compartment before repositioning the shelves for easier access to the rear shelf knobs.

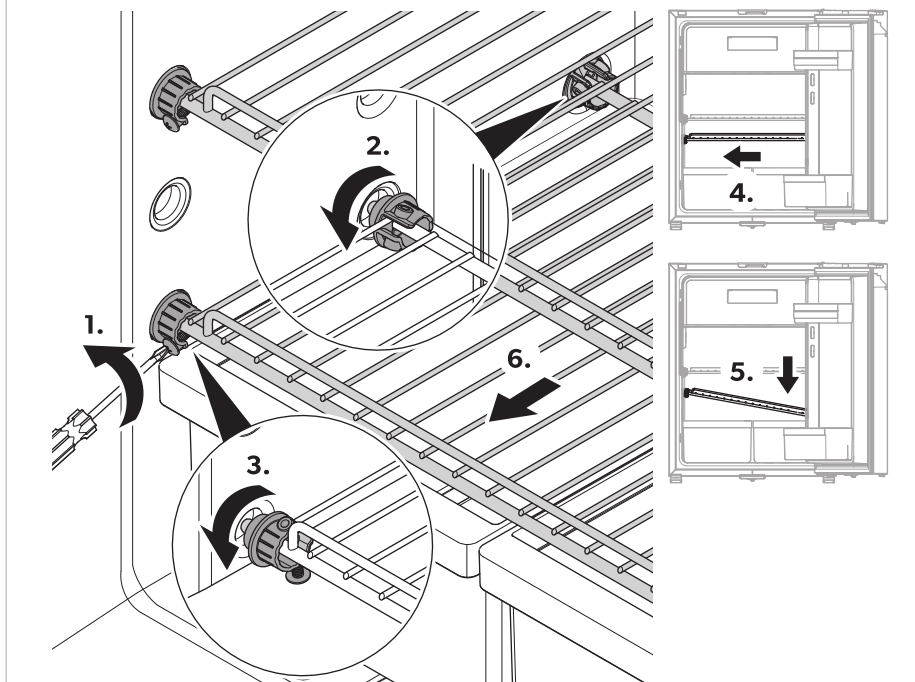
- > **NRX0035-0050:** To reposition the shelves as desired proceed as shown.

## 9 NRX0035 – 0050



- > **NRX0035-0050:** To reposition the shelves as desired proceed as shown.

## 10 NRX0060 – 0130



## 8.9 Removing the frozen compartment

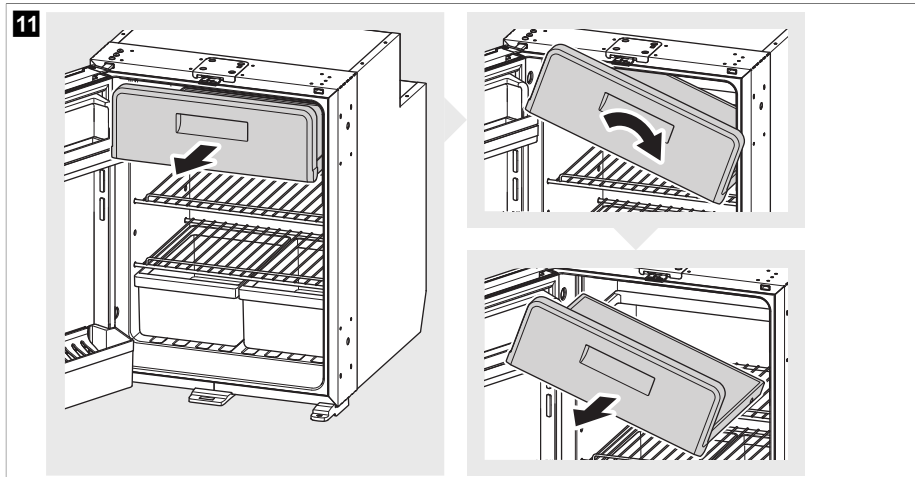


### NOTICE! Damage hazard

- > Close the frozen compartment door to remove the frozen compartment.
- > Grasp the frozen compartment by the bottom. Do not pull on the frozen compartment door.
- > Store the frozen compartment in a dry and safe place.

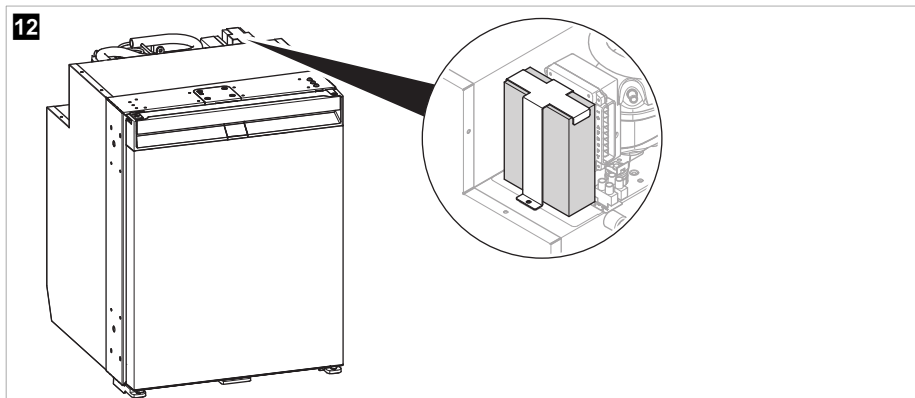


- > To remove the frozen compartment proceed as shown.



## 8.10 Installing the AC/DC adapter

- > To install the AC/DC adapter (accessories) proceed as shown.



## 9 Cleaning and maintenance



### **WARNING! Electrocuting hazard**

Always disconnect the refrigerator from the energy supply before cleaning and maintenance.

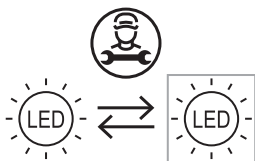


### **NOTICE! Damage hazard**

- > Do not use abrasive cleaning agents or hard objects during cleaning.
- > Never use hard or sharp tools to remove ice or to free frozen objects.
- > Ensure that no water drips into the seals. This can damage the electronics.

**NOTICE! Damage hazard**

The light source can only be replaced by the manufacturer, a service agent or similarly qualified person to avoid hazard.



- > Clean the interior and exterior of the refrigerator regularly with a damp cloth and as soon as it becomes dirty. Wipe the refrigerator dry with a cloth after cleaning.
- > Check the condensate drain regularly.  
Clean the condensate drain when necessary. If it is blocked, the condensate collects on the bottom of the refrigerator.
- > Clean dust and dirt from the condenser regularly with a damp cloth.

**Refrigerant circuit**

The refrigerant circuit is maintenance-free.

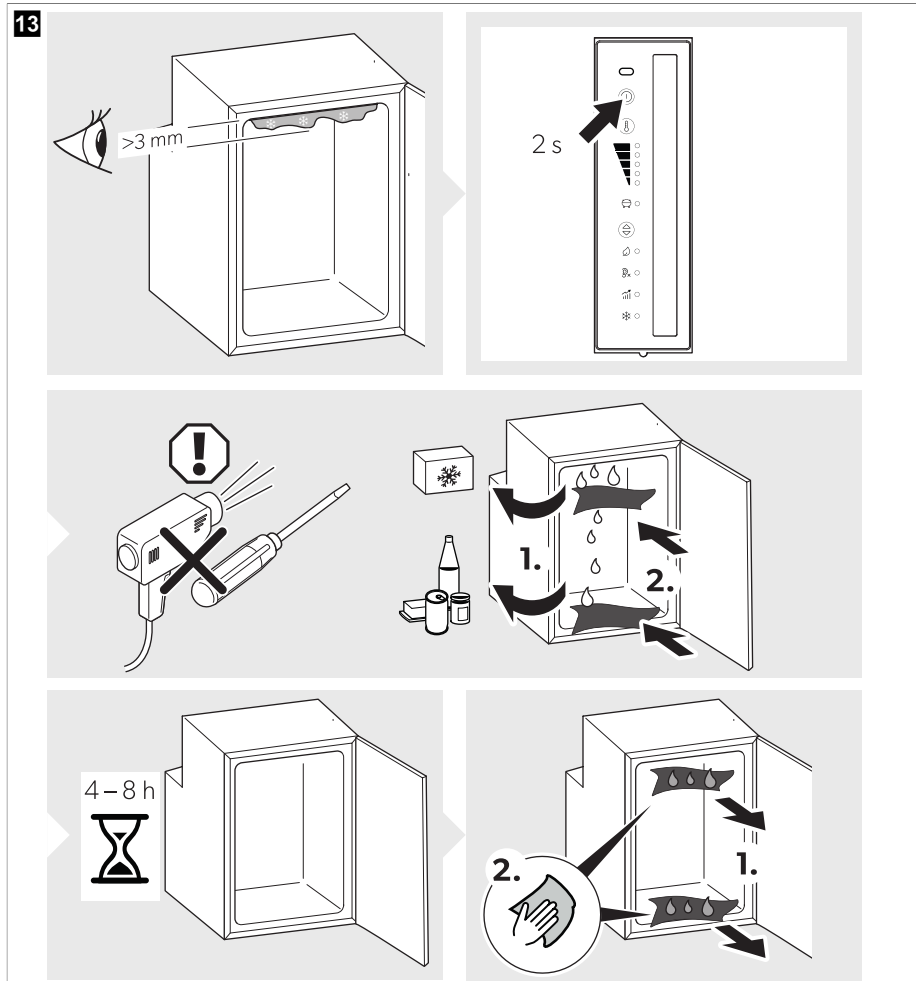
**Defrosting the refrigerator****NOTICE! Damage hazard**

Do not use any mechanical tools or any other tools to speed up the defrosting process.



**NOTE** Over time, frost builds up on the back wall inside the refrigerator. If this layer of frost is about 3 mm thick, defrost the refrigerator.

> To defrost the refrigerator proceed as shown.



### Positioning the refrigerator door into storage position



**CAUTION! Risk of injury**

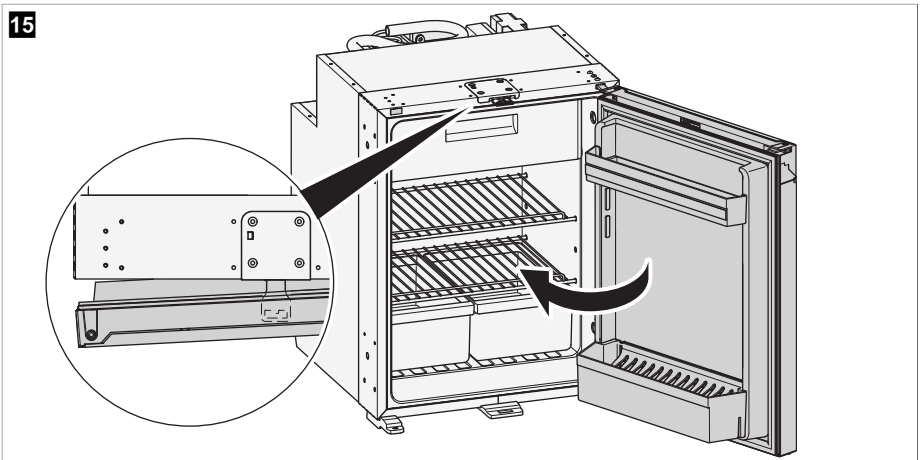
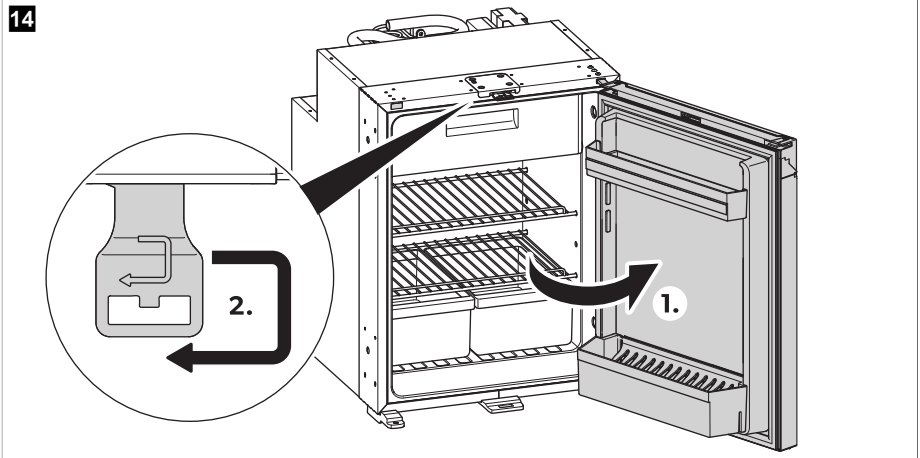
The storage position may not be used while driving.



**NOTE** Put the refrigerator door into the storage position if you are not going to use the device for a longer period of time. This prevents mold from forming.

> Defrost the refrigerator (see Defrosting the refrigerator on page 20).

> Put the refrigerator door into storage position as shown.

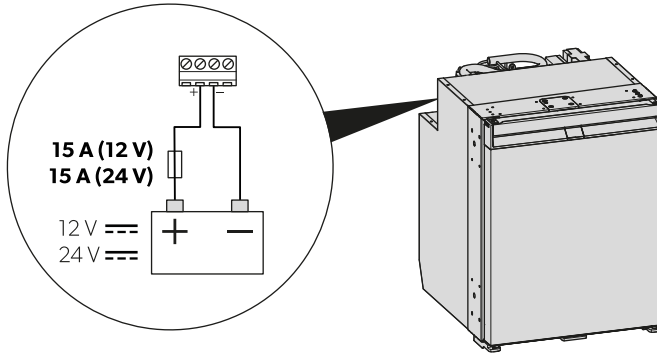



## 10 Troubleshooting



**NOTE** To safely operate 12 V consumer units in the caravan while driving, it must be ensured that the towing vehicle provides sufficient voltage. On some vehicles, the battery management system may automatically switch off the consumer units to protect the battery. Ask your vehicle manufacturer for more information.

16



| Problem   | Possible cause  | Suggested remedy   |
|---|---|--|
| The refrigerator does not work.   | The fuse in the DC cable is defective.  | > Replace the fuse (  Fig. 16 on page 23).  |
|   | The vehicle fuse has blown.   | > Replace the vehicle fuse.<br>Refer to the operating manual of your vehicle.  |
|   | The vehicle battery is discharged.  | > Test the battery and charge it.  |
|   | The ignition is not switched on.  | > Switch on the ignition.  |
|   | The temperature at the compressor is too low ( $< 0^{\circ}\text{C}$ ).   | > Close/cover all external ventilation grilles completely with insulation material.  |
|   | The refrigerator switches off automatically if the voltage is insufficient.<br>(Cut-off voltage: 10.4 V $\Rightarrow$ ) | > Load the battery. The refrigerator will start again automatically.<br>(Cut-in voltage: 11.7 V $\Rightarrow$ )  |
| Poor cooling, increase in interior temperature. Compressor runs continuously. | The ventilation around the cooling unit is not sufficient.  | > Check that the ventilation grille is not obstructed.<br>> Move the refrigerator to another location.   |
|   | The interior walls are iced up.   | > Check whether the refrigerator door closes properly.<br>> Ensure that the refrigerator seal fits correctly and is not damaged.<br>> Defrost the refrigerator (see Defrosting the refrigerator on page 20). |
|   | The temperature is set too high.  | > Set a lower temperature.   |
|   | The ambient temperature is too high.  | > Remove the ventilation grille for a while so that warm air can escape quicker.   |
|   | Too much food was placed in the refrigerator at the same time.  | > Remove some of the food.   |

| Problem   | Possible cause  | Suggested remedy   |
|---|---|--|
|   | Too much warm food was placed in the refrigerator at the same time.                           | > Remove the warm food and leave it to cool down before putting it in again. |
|   | The refrigerator has not been operating for very long.  | > Check the temperature again after 4 h / 5 h .                              |
|   | The condenser is dirty.   | > Clean the condenser (see chapter Cleaning and maintenance on page 19).     |
|   | The fan is defective.   | > Contact an authorized service agent.                                       |
| Poor cooling, increase in interior temperature.<br>The compressor does not run often.                     | The battery capacity is exhausted.  | > Charge the battery.  |
| Poor cooling, increase in interior temperature.<br>The compressor does not run (battery connection).      | There is an interruption in the battery electronics connection.                               | > Establish a connection.  |
|   | The main switch is defective (if installed).  | > Replace the main switch.   |
|   | The additional supply line fuse has blown (if installed).                                     | > Replace the supply line fuse.  |
|   | The battery voltage is too low.   | > Charge the battery.  |
|   | The battery capacity too low.   | > Replace the battery.   |
|   | The cables are loose.<br>The contact is poor (corrosion).                                     | > Establish a connection.  |
|   | The cable cross section is too small.   | > Replace the cable.   |
| The compressor is defective.  | > Contact an authorized service agent.  |  |
| Poor cooling, increase in interior temperature.<br>The compressor does not run (connection to AC supply). | The connection supply line is interrupted.  | > Establish a connection.  |
|   | The main switch is defective (if installed).  | > Replace the main switch.   |
|   | The additional supply line fuse has blown (if installed).                                     | > Replace the supply line fuse.  |
|   | The compressor is defective.  | > Contact an authorized service agent.                                       |
| Unusual noises.   | A component of the refrigerant circuit cannot move freely (touching the wall).                | > Bend the component carefully away from the obstruction.                    |
|   | There is a foreign object stuck between the cooling unit and the wall.                        | > Remove the foreign object.   |
|   | Fan noise.  | > Contact an authorized service agent.                                       |
| The door opens unintentionally when moving (e.g. while driving).  | The door latch is set to position <b>A</b> (see chapter Adjusting the door latch on page 11). | > Set the door latch to position <b>B</b> .                                  |

| Problem                           | Possible cause   | Suggested remedy                                      |
|-----------------------------------|--|---|
| The door does not close properly. | The door latch is set to position <b>A</b> (see chapter Adjusting the door latch on page 11).                                      | > Set the door latch to position <b>B</b> .           |
|                                   | The door latch is set to position <b>B</b> (see chapter Adjusting the door latch on page 11) but the door is not properly latched. | > Ensure that the door latches properly when closing. |

## Error indication



### NOTE

- > All errors are indicated by the error indicator LED flashing orange (see Control and display elements on page 10). The number of flashes depends on the type of fault. Each flash lasts for one quarter of a second. After the sequence of flashes a pause follows. The sequence for the fault is repeated every four seconds.
- > In ECO, PERFORMANCE, and FREEZER mode an additional beep sounds.

| Flashing frequency | Error                               | Possible cause  |
|--------------------|-------------------------------------|---|
| 1                  | Under or over voltage               | The supply voltage is outside of the set range.   |
| 2                  | Excessive fan current               | The fan load on the electronics unit is more than 1 A.  |
| 3                  | The motor does not start            | The rotor is jammed.  |
|                    |                                     | The pressure difference in the cooling system is too high.  |
| 4                  | Speed too low                       | If the cooling system is overloaded, the minimum speed of the motor cannot be maintained.                     |
| 5                  | Overheating of the electronics unit | If the cooling system is loaded too heavily or the temperature is set too high, the electronics can overheat. |
| Constantly         | Temperature sensor errors           | Temperature sensor is defective.  |

## 11 Warranty

The statutory warranty period applies. If the product is defective, please contact the manufacturer's branch in your country (see [dometic.com/dealer](http://dometic.com/dealer)) or your retailer.

For repair and warranty processing, please include the following documents when you send in the device:

- A copy of the receipt with purchasing date
- A reason for the claim or description of the fault

Note that self-repair or nonprofessional repair can have safety consequences and might void the warranty.

## 12 Disposal



### NOTICE! Damage hazard

The insulation of the cooling device contains flammable cyclopentane and requires special disposal procedures. Deliver the cooling device at the end of its life-cycle to an appropriate recycling center.



Place the packaging material in the appropriate recycling waste bins wherever possible. Consult a local recycling center or specialist dealer for details about how to dispose of the product in accordance with the applicable disposal regulations. Europe: The product can be disposed free of charge.

## 13 Technical data

For the current EU declaration of conformity for your device please refer to the respective product page on [dometic.com](http://dometic.com) or contact the manufacturer directly (see [dometic.com/dealer](http://dometic.com/dealer)).

This device complies with UN ECE Regulation R10.

|   | <b>NRX0035(E/C/S)</b>    | <b>NRX0050(E/C/S)</b> | <b>NRX0060(E/C/S)</b> |
|---|--------------------------|-----------------------|-----------------------|
| Capacity  |                          |                       |                       |
| • Refrigerator compartment (NRX0035–0130[C/S] only) | 27.3 L                   | 39.6 L                | 48.9 L                |
| • Frozen compartment (NRX0035–0130[C/S] only)       | 4.4 L                    | 4.4 L                 | 6.1 L                 |
| • Total capacity                                    | 32 L                     | 44 L                  | 55 L                  |
| • Total capacity (frozen compartment removed)       | 34 L                     | 46 L                  | 58 L                  |
| Connection voltage                                  | 12 / 24 V $\overline{=}$ |                       |                       |
| Supply battery protection (12 V)                    |                          |                       |                       |
| • Cut-off voltage                                   | 10.4 V                   |                       |                       |
| • Cut-in voltage                                    | 11.7 V                   |                       |                       |
| Supply battery protection (24 V)                    |                          |                       |                       |
| • Cut-off voltage                                   | 22.8 V                   |                       |                       |
| • Cut-in voltage                                    | 24.2 V                   |                       |                       |
| Climate class                                       | T                        |                       |                       |
| Storage temperature range:                          |                          |                       |                       |
| • Refrigerator                                      | 0 °C ... 12 °C           |                       |                       |
| • Frozen compartment (NRX0035–0130[C/S] only)       | –15 °C ... –5 °C         |                       |                       |
| • Freezer mode (NRX0035–0130[C/S] only)             | –6 °C                    |                       |                       |
| Intended ambient temperature use                    | 16 °C ... 43 °C          |                       |                       |
| Refrigerant   | R134a                    |                       |                       |
| Refrigerant quantity                                | 24 g                     | 26 g                  | 30 g                  |
| CO <sub>2</sub> equivalent                          | 0.034 t                  | 0.037 t               | 0.043 t               |
| Global warming potential (GWP)                      | 1430                     |                       |                       |
| Noise emission (EN 60704)                           | 40 ... 45 dB(A)          |                       |                       |



|                      | <b>NRX0035(E/C/S)</b>   | <b>NRX0050(E/C/S)</b>     | <b>NRX0060(E/C/S)</b>    |
|----------------------|---|---------------------------|--------------------------|
| Dimensions H x W x D | 525 × 380 × 355 mm<br>(without compressor and spacer)<br>525 mm × 380 mm × 480 mm<br>(with compressor and spacer) | 525 mm × 380 mm × 510 mm  | 525 mm × 448 mm × 537 mm |
| Net weight           | E: 13.5 kg<br>C, S: 16 kg   | E: 14.5 kg<br>C, S: 17 kg | E: 16 kg<br>C, S: 17 kg  |
| Maximum load         |   |                           |                          |
| • Per door shelf     | 4 kg  | 4 kg                      | 5 kg                     |
| • Per door           | E: 4 kg<br>C/S: 8 kg  | E: 4 kg<br>C/S: 8 kg      | E: 5 kg<br>C/S: 10 kg    |

|   | <b>NRX0080(E/C/S)</b>   | <b>NRX0115(E/C/S)</b> | <b>NRX0130(E/C/S)</b> |
|---|-------------------------|-----------------------|-----------------------|
| Capacity  |                         |                       |                       |
| • Refrigerator compartment (NRX0035 – 0130[C/S] only) | 68.4 L                  | 104.5 L               | 118 L                 |
| • Frozen compartment (NRX0035 – 0130[C/S] only)       | 6.6 L                   | 8.2 L                 | 8.2 L                 |
| • Total capacity                                      | 75 L                    | 113 L                 | 126 L                 |
| • Total capacity (frozen compartment removed)         | 78 L                    | 116 L                 | 130 L                 |
| Connection voltage                                    | 12 / 24 V <sup>==</sup> |                       |                       |
| Supply battery protection (12 V)                      |                         |                       |                       |
| • Cut-off voltage                                     |                         | 10.4 V                |                       |
| • Cut-in voltage                                      |                         | 11.7 V                |                       |
| Supply battery protection (24 V)                      |                         |                       |                       |
| • Cut-off voltage                                     |                         | 22.8 V                |                       |
| • Cut-in voltage                                      |                         | 24.2 V                |                       |
| Climate class   | T                       |                       |                       |
| Storage temperature range                             |                         |                       |                       |
| • Refrigerator  |                         | 0 °C ... 12 °C        |                       |
| • Frozen compartment (NRX0035–0130[C/S] only)         |                         | –15 °C ... –5 °C      |                       |
| • Freezer mode (NRX0035–0130C/S only)                 |                         | –6 °C                 |                       |

|                                  | <b>NRX0080(E/C/S)</b>   | <b>NRX0115(E/C/S)</b>   | <b>NRX0130(E/C/S)</b>   |
|----------------------------------|-------------------------|-------------------------|-------------------------|
| Intended ambient temperature use | 16 °C ... 43 °C         |                         |                         |
| Refrigerant                      | R134a                   |                         |                         |
| Refrigerant quantity             | 32 g                    | 40 g                    | 40 g                    |
| CO <sub>2</sub> equivalent       | 0.046 t                 | 0.057 t                 | 0.057 t                 |
| Global warming potential (GWP)   | 1430                    |                         |                         |
| Noise emission (EN 60704)        | 40 ... 45 dB(A)         |                         |                         |
| Dimensions H x W x D             | 625 × 475 × 537 mm      | 745 × 525 × 568 mm      | 812 × 525 × 568 mm      |
| Net weight                       | C, S: 20 kg<br>E: 18 kg | C, S: 26 kg<br>E: 24 kg | C, S: 27 kg<br>E: 25 kg |
| Maximum load                     |                         |                         |                         |
| • Per door shelf                 | 5 kg                    | 6 kg                    | 6 kg                    |
| • Per door                       | 10 kg                   | E: 12 kg<br>C/S: 18 kg  | E: 12 kg<br>C/S: 18 kg  |

## 14 Technical data

For the current EU declaration of conformity for your device please refer to the respective product page on [dometic.com](http://dometic.com) or contact the manufacturer directly (see [dometic.com/dealer](http://dometic.com/dealer)).

This device complies with UN ECE Regulation R10.

|   | <b>NRX0090V</b>         |
|---|-------------------------|
| Capacity                                      |                         |
| • Refrigerator compartment                    | 79 L                    |
| • Frozen compartment                          | 8.4 L                   |
| • Total capacity                              | 87 L                    |
| • Total capacity (frozen compartment removed) | 92 L                    |
| Connection voltage                            | 12 / 24 V <sup>==</sup> |
| Supply battery protection ( 12 V )            |                         |
| • Cut-off voltage                             | 10.4 V                  |
| • Cut-in voltage                              | 11.7 V                  |
| Supply battery protection ( 24 V )            |                         |
| • Cut-off voltage                             | 22.8 V                  |
| • Cut-in voltage                              | 24.2 V                  |
| Energy consumption                            | 0.35 kWh / 24 h         |
| Climate class                                 | T                       |

|  | <b>NRX0090V</b>                                    |
|--|--|
| Storage temperature range  |  |
| <ul style="list-style-type: none"> <li>• Refrigerator</li> <li>• Frozen compartment</li> <li>• Freezer mode</li> </ul> | 0 °C ... 15 °C<br>-12 °C ... -5 °C<br>-5 °C ± 2 °C |
| Intended ambient temperature use   | 16 °C ... 43 °C                                    |
| Refrigerant  | R600a  |
| Refrigerant quantity   | 22 g   |
| CO <sub>2</sub> equivalent   | 0.000 t  |
| Global warming potential (GWP)   | 3  |
| Noise emission (EN60704)   |  |
| <ul style="list-style-type: none"> <li>• PERFORMANCE mode</li> <li>• QUIET mode</li> </ul>                             | < 40 dB(A)<br>37 dB(A)                             |
| Dimensions H x W x D   | 821 mm × 486 mm × 480 mm                           |
| Net weight   | 22 kg  |

## Deutsch

|    |                                     |    |
|----|-------------------------------------|----|
| 1  | Wichtige Hinweise.....              | 30 |
| 2  | Erklärung der Symbole.....          | 30 |
| 3  | Sicherheitshinweise.....            | 31 |
| 4  | Lieferumfang.....                   | 34 |
| 5  | Zubehör.....                        | 34 |
| 6  | Bestimmungsgemäßer Gebrauch.....    | 35 |
| 7  | Technische Beschreibung.....        | 36 |
| 8  | Betrieb.....                        | 38 |
| 9  | Reinigung und Wartung.....          | 46 |
| 10 | Fehlersuche und Fehlerbehebung..... | 49 |
| 11 | Gewährleistung.....                 | 52 |
| 12 | Entsorgung.....                     | 53 |
| 13 | Technische Daten.....               | 53 |
| 14 | Technische Daten.....               | 55 |

## 1 Wichtige Hinweise

Lesen und befolgen Sie bitte alle Anweisungen, Richtlinien und Warnhinweise in diesem Produkthandbuch sorgfältig, um sicherzustellen, dass Sie das Produkt ordnungsgemäß installieren und stets ordnungsgemäß betreiben und warten. Diese Anleitung MUSS bei dem Produkt verbleiben.

Durch die Verwendung des Produktes bestätigen Sie hiermit, dass Sie alle Anweisungen, Richtlinien und Warnhinweise sorgfältig gelesen haben und dass Sie die hierin dargelegten Bestimmungen verstanden haben und ihnen zustimmen. Sie erklären sich damit einverstanden, dieses Produkt nur für den angegebenen Verwendungszweck und gemäß den Anweisungen, Richtlinien und Warnhinweisen dieses Produkthandbuchs sowie gemäß allen geltenden Gesetzen und Vorschriften zu verwenden. Eine Nichtbeachtung der hierin enthaltenen Anweisungen und Warnhinweise kann zu einer Verletzung Ihrer selbst und anderer Personen, zu Schäden an Ihrem Produkt oder zu Schäden an anderem Eigentum in der Umgebung führen. Dieses Produkthandbuch, einschließlich der Anweisungen, Richtlinien und Warnhinweise, sowie die zugehörige Dokumentation können Änderungen und Aktualisierungen unterliegen. Aktuelle Produktinformationen finden Sie unter [documents.dometic.com](http://documents.dometic.com).

## 2 Erklärung der Symbole

Ein Signalwort kennzeichnet Sicherheits- und Sachschadensmeldungen und gibt zudem den Grad oder das Ausmaß der Gefährdung an.



### **GEFAHR!**

Kennzeichnet eine Gefahrensituation, die zum Tod oder schwerer Verletzung führt, wenn die jeweiligen Anweisungen nicht befolgt werden.



### **WARNUNG!**

Kennzeichnet eine Gefahrensituation, die zum Tod oder schwerer Verletzung führen könnte, wenn die jeweiligen Anweisungen nicht befolgt werden.



### **VORSICHT!**

Kennzeichnet eine Gefahrensituation, die zu geringer oder mittelschwerer Verletzung führen könnte, wenn die jeweiligen Anweisungen nicht befolgt werden.



### **ACHTUNG!**

Kennzeichnet eine Situation, die zu Sachschäden führen kann, wenn die jeweiligen Anweisungen nicht befolgt werden.



**HINWEIS** Zusätzliche Informationen zur Bedienung des Produktes.

## 3 Sicherheitshinweise

### Grundlegende Sicherheit



#### **WARNUNG! Gefahr durch Stromschlag**

- > Installation und Demontage des Kühlschranks dürfen nur durch qualifiziertes Fachpersonal erfolgen.
- > Lassen Sie Installationen in Feuchträumen und Bereichen, die Wasser ausgesetzt sind, nur vom Fachmann ausführen.
- > Wenn Sie den Kühlschrank unter einem Vordach oder einer ähnlichen Umgebung aufstellen, achten Sie darauf, dass er vor Regen und Spritzwasser geschützt ist.
- > Wenn der Kühlschrank sichtbare Beschädigungen aufweist, dürfen Sie ihn nicht in Betrieb nehmen.
- > Reparaturen an diesem Kühlschrank dürfen nur von qualifiziertem Personal durchgeführt werden. Durch unsachgemäße Reparaturen können erhebliche Gefahren bzw. Schäden am Kühlschrank entstehen.
- > Wenn das Anschlusskabel dieses Kühlschranks beschädigt wird, muss es durch den Hersteller, seinen Kundendienst oder eine ähnlich qualifizierte Person ersetzt werden, um Gefährdungen zu vermeiden.
- > Achten Sie beim Aufstellen des Kühlschranks darauf, dass das Stromversorgungskabel nicht eingeklemmt oder beschädigt wird.
- > Platzieren Sie keine Steckdosenleisten oder tragbare Stromversorgungen hinter dem Kühlschrank.
- > Fassen Sie nie mit bloßen Händen an blanke Kabel.
- > Schließen Sie das Gerät an eine Steckdose an, die einen geeigneten Anschluss sicherstellt, insbesondere wenn das Gerät geerdet werden muss.
- > Sorgen Sie bei Netzbetrieb unbedingt dafür, dass Ihre Stromversorgung über einen FI-Schutzschalter oder einen Fehlerstrom-Schutzschalter abgesichert ist. Die Installation muss – insbesondere in potentiell feuchten Bereichen – allen geltenden Vorschriften entsprechen.



#### **WARNUNG! Brandgefahr**

- > Der Kühlkreislauf enthält eine kleine Menge an umweltfreundlichem, Kältemittel. Das Kältemittel schädigt nicht die Ozonschicht und trägt auch nicht zum Treibhauseffekt bei. Austretendes Kältemittel kann sich entzünden.
- > Verwenden und Lagern Sie den Kühlschrank nicht in geschlossenen Räumen ohne oder mit nur geringer Belüftung.
- > Halten Sie die Einbaunische für den Kühlschrank frei von elektrischen Bauteilen und Lichtquellen, die bei normalem oder abnormalem Gebrauch Funken oder Lichtbögen erzeugen können (d. h. Relais oder Sicherungskästen).
- > Die Isolierung des Kühlschranks enthält brennbares Cyclopentan und erfordert ein besonderes Entsorgungsverfahren. Entsorgen Sie den Kühlschrank am Ende seiner Nutzungsdauer in einem entsprechenden Recyclingcenter.



#### **WARNUNG! Explosionsgefahr**

Lagern Sie keine explosionsfähigen Stoffe wie z. B. Sprühdosen mit brennbarem Treibgas im Kühlschrank.



#### **WARNUNG! Gesundheitsgefahr**

- > Dieser Kühlschrank kann von Kindern ab 8 Jahren und von Personen mit verringerten physischen, sensorischen oder mentalen Fähigkeiten oder Mangel an Erfahrung und/oder Wissen verwendet werden, wenn diese Personen beaufsichtigt werden oder im sicheren Gebrauch des Kühlschranks unterwiesen wurden und die daraus resultierenden Gefahren verstanden haben.

- > Kinder von 3 bis 8 Jahren dürfen den Kühlschrank be- und entladen.
- > Reinigung und Benutzerwartung dürfen nicht durch unbeaufsichtigte Kinder durchgeführt werden.
- > Kinder sollten beaufsichtigt werden, um sicherzustellen, dass sie nicht mit dem Kühlschrank spielen.

**WARNUNG! Gefahr des Einschließens von Kindern**

- > Stellen Sie sicher, dass die Einlegeböden so montiert und gesichert sind, dass sich Kinder nicht selbst im Kühlschrank einschließen können.
- > Vor der Entsorgung Ihres alten Kühlschranks:
  - Bauen Sie die Schublade aus.
  - Belassen Sie die Einlegeböden im Kühlschrank, damit Kinder nicht hineinsteigen können.
- > Hängen Sie die Türen aus.

**VORSICHT! Gesundheitsgefahr**

- > Um Gefahren aufgrund eines instabilen Stands des Kühlschranks zu vermeiden, muss er entsprechend den Installationsanweisungen fixiert werden.
- > Halten Sie die Lüftungsöffnungen frei – sowohl am Kühlschrank und seinem Gehäuse als auch in der Einbaukonsole des Kühlschranks.
- > Verwenden Sie keine mechanischen oder anderen Mittel, um das Abtauen zu beschleunigen – es sei denn, diese werden vom Hersteller empfohlen.
- > Öffnen oder beschädigen Sie auf keinen Fall den Kühlkreislauf.
- > Benutzen Sie keine Elektrogeräte innerhalb des Kühlschranks, außer wenn diese Elektrogeräte vom Hersteller dafür empfohlen werden.

**VORSICHT! Verletzungsgefahr**

- > Verwenden und lagern Sie keine brennbaren Materialien im Kühlschrank oder in der Nähe des Kühlschranks.
- > Stellen Sie keine Gegenstände auf den Kühlschrank und lehnen Sie keine Gegenstände an den Kühlschrank an.
- > Nehmen Sie keine Änderungen am Kühlschrank vor.

**ACHTUNG! Beschädigungsgefahr**

- > Wählen Sie den Betrieb am Gleichstromnetz nur, wenn der Fahrzeugmotor läuft und die Lichtmaschine ausreichende Spannung liefert oder wenn Sie einen Batteriewächter verwenden.
- > Falls vorhanden, halten Sie den Kondensatablauf stets sauber.
- > Falls der Kühlschrank über Lüftungsgitter verfügt, benutzen Sie bei der Fahrzeugreinigung im Bereich der Lüftungsgitter keinen Wasser-Hochdruckreiniger.
- > Der Kühlschrank darf keinem Regen ausgesetzt werden.
- > Ziehen Sie den Stecker nie am Anschlusskabel aus der Steckdose.

**Sicherheit beim Betrieb des Kühlschranks****GEFAHR! Gefahr durch Stromschlag**

Achten Sie vor der Inbetriebnahme des Kühlschranks darauf, dass Zuleitung und Stecker trocken sind.

**VORSICHT! Gesundheitsgefahr**

- > Stellen Sie sicher, dass sich nur Gegenstände bzw. Waren im Kühlschrank befinden, die auf die gewählte Temperatur gekühlt werden dürfen.

- > Reinigen Sie regelmäßige Oberflächen, die mit Lebensmitteln in Kontakt kommen können, sowie zugängliche Ablaufsysteme.
- > Lagern Sie rohes Fleisch und rohen Fisch in geeigneten Behältern im Kühlschrank, so dass sie nicht mit anderen Lebensmitteln in Berührung kommen und nicht auf diese tropfen.
- > Ein längeres Öffnen der Tür kann zu einem erheblichen Anstieg der Temperatur in den Fächern des Kühlschranks führen. Wenn der Kühlschrank über längere Zeiträume leer bleibt:
  - Schalten Sie den Kühlschrank aus.
  - Tauen Sie den Kühlschrank ab.
  - Reinigen und trocknen Sie den Kühlschrank.
  - Lassen Sie die Tür offenstehen, um Schimmelbildung im Kühlschrank zu verhindern. Falls vorhanden, bringen Sie die Kühlschranktür und die Tür des Gefriergeräts in die Winterstellung.



### **VORSICHT! Verletzungsgefahr**

- > Fassen Sie nicht in das Scharnier.
- > Schließen Sie die Kühlschranktür vor Fahrtbeginn und verriegeln Sie sie.
- > Das Kühlsystem auf der Rückseite des Kühlschranks wird im Betrieb sehr heiß. Falls der Kühlschrank über Lüftungsgitter verfügt ist, schützen Sie sich beim Abnehmen der Lüftungsgitter vor dem Kontakt mit heißen Teilen.
- > Die Gerätetür bzw. die Tür des Gefriergeräts kann sich bei unsachgemäßem Gebrauch vollständig vom Gerät lösen. Drücken Sie die Türen zu, bis Sie oben und unten ein deutliches Einrastgeräusch hören.



### **ACHTUNG! Beschädigungsgefahr**

- > Stützen Sie sich nicht auf die geöffnete Kühlschranktür.
- > Verstauen Sie schwere Gegenstände wie z. B. Flaschen oder Dosen ausschließlich in der Kühlschranktür, in der Gemüseschale oder auf dem unteren Einlegeboden.
- > Wenn der Kühlschrank über eine doppelseitige Tür verfügt und die Tür auf der gegenüberliegenden Seite nicht richtig verriegelt ist, drücken Sie auf dieser Seite auf den oberen und unteren Bereich, bis sie einrastet.
- > **Überhitzungsgefahr!** Achten Sie stets darauf, dass beim Betrieb entstehende Wärme ausreichend abgeführt werden kann. Sorgen Sie dafür, dass der Kühlschrank in ausreichendem Abstand zu Wänden oder Gegenständen steht, sodass die Luft zirkulieren kann.
- > Befüllen Sie den Innenraum nicht mit Flüssigkeiten oder Eis.
- > Schützen Sie den Kühlschrank und die Kabel vor Hitze und Nässe.
- > Ziehen Sie den Stecker nie am Anschlusskabel aus der Steckdose.



### **HINWEIS**

- > Fragen Sie bei Ihrem Fahrzeughersteller nach, ob das Batteriemanagementsystem Ihres Fahrzeugs den Kühlschrank zum Schutz der Batterie abschaltet.
- > Wählen Sie bei Umgebungstemperaturen von 15 °C ... 25 °C die mittlere Temperatureinstellung.
- > Wenn die Tür auf der gegenüberliegenden Seite nicht richtig verriegelt ist, drücken Sie auf dieser Seite auf den oberen und unteren Bereich, bis sie einrastet.
- > Um Lebensmittelverschwendung zu vermeiden, beachten Sie bitte Folgendes:
  - Halten Sie Temperaturschwankungen so gering wie möglich. Öffnen Sie das Gefriergerät nur so oft und so lange wie nötig. Lagern Sie Lebensmittel so, dass die Luft immer noch gut zirkulieren kann.
  - Stellen Sie sicher, dass sich nur Gegenstände bzw. Waren im Kühlschrank befinden, die auf die gewählte Temperatur gekühlt werden dürfen.
  - Lagern Sie die verschiedenen Lebensmittel wie in den Abbildungen gezeigt.
  - Bei einstellbarer Temperatur: Passen Sie die Temperatur der Menge und Art der Lebensmittel an.
  - Lebensmittel nehmen leicht Gerüche auf und geben Gerüche oder Aromen ab. Lagern Sie Lebensmittel daher stets abgedeckt oder in geschlossenen Behältern bzw. Flaschen.

## 4 Lieferumfang

| Anzahl | Beschreibung                     |
|--------|----------------------------------|
| 1      | Kompressor-Kühlschrank           |
| 1      | Ablassbogen                      |
| 1      | Kurzbedienungsanleitung          |
| 1      | Bedienungsanleitung (nur online) |
| 1      | Montageanleitung                 |

## 5 Zubehör

Als Zubehör erhältlich (nicht im Lieferumfang enthalten):

| Beschreibung                                    | Art.-Nr.   |
|---|------------|
| Schiebescharnier                                | 9620012939 |
| Befestigungsrahmen mit unterem Rahmen           |            |
| • NRX0035, NRX0050                              | 9620012877 |
| • NRX0060                                       | 9620012881 |
| • NRX0080                                       | 9620012882 |
| • NRX0115                                       | 9620012878 |
| • NRX0130                                       | 9620012876 |
| Befestigungsrahmen mit unterem Rahmen (schwarz) |            |
| • NRX0035, NRX0050                              | 9620012874 |
| • NRX0060                                       | 9620012875 |
| • NRX0080                                       | 9620012880 |
| • NRX0115                                       | 9620012879 |
| • NRX0130                                       | 9620012883 |
| Ersatz-Einlegeboden für entferntes Tiefkühlfach |            |
| • NRX0035, NRX0050                              | 9620012933 |
| • NRX0060                                       | 9620012938 |
| • NRX0080                                       | 9620012935 |
| • NRX0115, NRX0130                              | 9620012932 |



| Beschreibung       | Art.-Nr.                           |
|--------------------|------------------------------------|
| Tiefkühlfach       |                                    |
| • NRX0035, NRX0050 | 9620012931                         |
| • NRX0060          | 9620012936                         |
| • NRX0080          | 9620012934                         |
| • NRX0115, NRX0130 | 9620012937                         |
| AC/DC-Adapter      | 9620013449 (EU)<br>9620013450 (UK) |

## 6 Bestimmungsgemäßer Gebrauch

Der Kühlschrank ist für folgende Verwendungszwecke vorgesehen:

- die Installation in Wohnwagen, Reisemobilen, Booten und Lastkraftwagen
- das Kühlen und Lagern von Lebensmitteln
- **Nur NRX0035–0130(C/S):** das Lagern von Tiefkühlwaren
- die Verwendung in Innenräumen

Der Kühlschrank ist nicht für den gewerblichen Einsatz oder den Einsatz im Einzelhandel oder im Haushalt vorgesehen.

Der Kühlschrank ist **nicht** für folgende Verwendungszwecke geeignet:

- Lagerung von Medikamenten
- Lagerung von ätzenden oder lösungsmittelhaltigen Stoffen
- Tiefkühlen von Lebensmitteln
- den Einsatz im Freien

Bei der Verwendung auf Booten muss das Gerät in einem Innenraum installiert werden, nicht auf dem offenen Deck.

Das Tiefkühlfach eignet sich für die Aufbewahrung von tiefgefrorenen Lebensmitteln, die Lagerung oder Herstellung von Eiscreme und die Herstellung von Eiswürfeln. Es ist nicht geeignet zum Tiefkühlen von Lebensmitteln.

Der Kühlschrank ist für die Installation in einen Schrank oder eine Einbaunische vorgesehen.

Die optimale Kühlleistung wird bei Umgebungstemperaturen zwischen 16 °C ... 43 °C und bei einer maximalen Luftfeuchtigkeit von 90 % erzielt.

Dieses Produkt ist nur für den angegebenen Verwendungszweck und die Anwendung gemäß dieser Anleitung geeignet.

Dieses Handbuch enthält Informationen, die für die ordnungsgemäße Installation und/oder den ordnungsgemäßen Betrieb des Produkts erforderlich sind. Installationsfehler und/oder ein nicht ordnungsgemäßer Betrieb oder eine nicht ordnungsgemäße Wartung haben eine unzureichende Leistung und u. U. einen Ausfall des Geräts zur Folge.

Der Hersteller übernimmt keine Haftung für Verletzungen oder Schäden am Produkt, die durch Folgendes entstehen:

- Unsachgemäße Installation oder falscher Anschluss, einschließlich Überspannung
- Unsachgemäße Wartung oder Verwendung von anderen als den vom Hersteller gelieferten Original-Ersatzteilen

- Veränderungen am Produkt ohne ausdrückliche Genehmigung des Herstellers
- Verwendung für andere als die in der Anleitung beschriebenen Zwecke

Dometic behält sich das Recht vor, das Erscheinungsbild des Produkts und dessen technische Daten zu ändern.

## 7 Technische Beschreibung

Der Kühlschrank ist ein Kompressorkühlschrank.

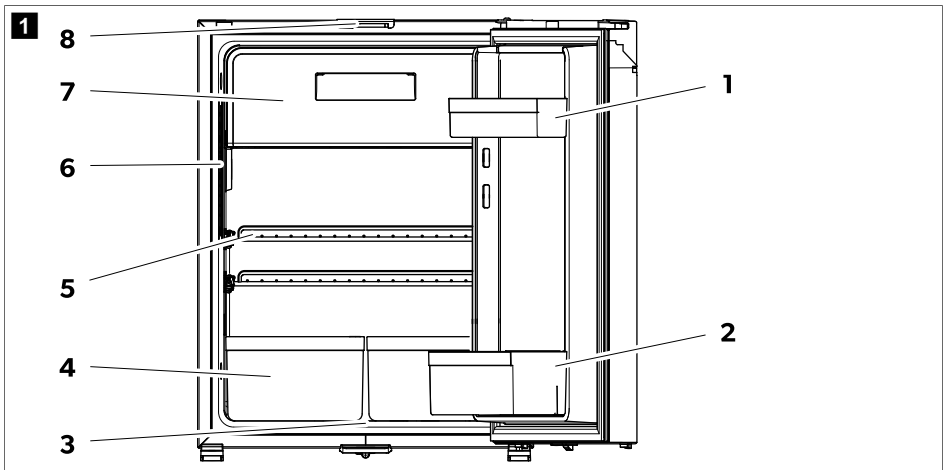
Der Kühlschrank ist für den Betrieb mit verschiedenen Energiearten ausgelegt und kann sowohl am Gleichstrom- als auch am Wechselstromnetz betrieben werden.

NRX0035–0130(C/S): Das Modell ist ab Werk mit einem Tiefkühlfach ausgestattet, das entfernt und wieder eingebaut werden kann.

Die Kühlschranktür verfügt über einen Verriegelungsmechanismus, der sie während des Transports schützt.

Alle im Kühlschrank verwendeten Materialien sind unbedenklich für Lebensmittel.

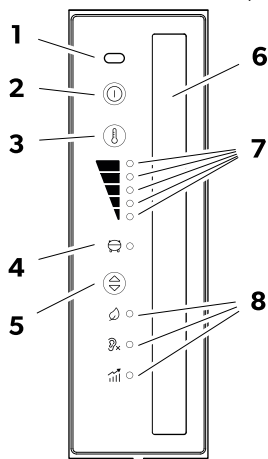
### Gerätebeschreibung



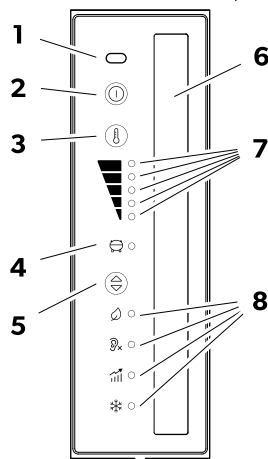
| Nr. | Erläuterung  |
|-----|--|
| 1   | Türablage (nur NRX0035–0130[C/S], NRX0080–0130[E]) |
| 2   | Flaschenablage                                     |
| 3   | Kondensatablauf                                    |
| 4   | Gemüsefach (nur NRX0035–0130[C/S])                 |
| 5   | Einlegeboden                                       |
| 6   | Bedienfeld mit Anzeige                             |
| 7   | Tiefkühlfach (nur NRX0035–0130[C/S])               |
| 8   | Türverriegelung für Lüftung                        |


## Bedien- und Anzeigeelemente

### NRX0035 – 0130 (E)



### NRX0035 – 0130 (C/S)



| Nr. | Erläuterung   |
|-----|---|
| 1   | Türöffnungs-IR-Sensor   |
| 2   | ⏻ EIN/AUS-Taste   |
| 3   | 🌀 Kühlstufeneinstelltaste   |
| 4   | Kompressor- und Fehleranzeige-LED   |
| 5   | ⚙ Betriebsmodustaste  |
| 6   | Innenraumleuchte  |
| 7   | Kühlstufen-Anzeige-LEDs<br> <ul style="list-style-type: none"> <li>■ Kühlstufe 5</li> <li>■ Kühlstufe 4</li> <li>■ Kühlstufe 3</li> <li>■ Kühlstufe 2</li> <li>■ Kühlstufe 1</li> </ul> |
| 8   | Betriebsmodus-Anzeige-LEDs  |





### Kompressor- und Fehleranzeige-LED

Die Kompressor- und Fehleranzeige-LED zeigt den Betriebszustand des Kompressors oder einen Fehler an:

| Color             | Beschreibung                                      |
|-------------------|---|
| Weiß              | Kompressor ein                                    |
| Orange            | Kompressor aus                                    |
| Orange (blinkend) | Fehler (siehe Kapitel Fehleranzeige auf Seite 52) |

## Betriebsmodus-Anzeige-LEDs

Die Betriebsmodus-Anzeige-LEDs zeigen folgende Einstelloptionen an:

| Symbol  | Beschreibung  |
|---|---|
|  | ECO-Modus:<br>Betrieb mit reduziertem Energieverbrauch.<br>Kühlstufe 1 – 3  |
|  | QUIET-Modus:<br>Betrieb mit reduziertem Geräuschpegel.<br>Kühlstufe 1 – 4   |
|  | Modus LEISTUNGSFÄHIGKEIT:<br>Kühlstufe 1 – 5  |
|  | FREEZER-Modus (nur NRX0035–0130[C/S]):<br>Betrieb bei herausgenommenem Tiefkühlfach. Kühlt den gesamten Innenraum des Kühlschranks auf $-6\text{ }^{\circ}\text{C}$ . |

## 8 Betrieb

### 8.1 Vor dem ersten Gebrauch

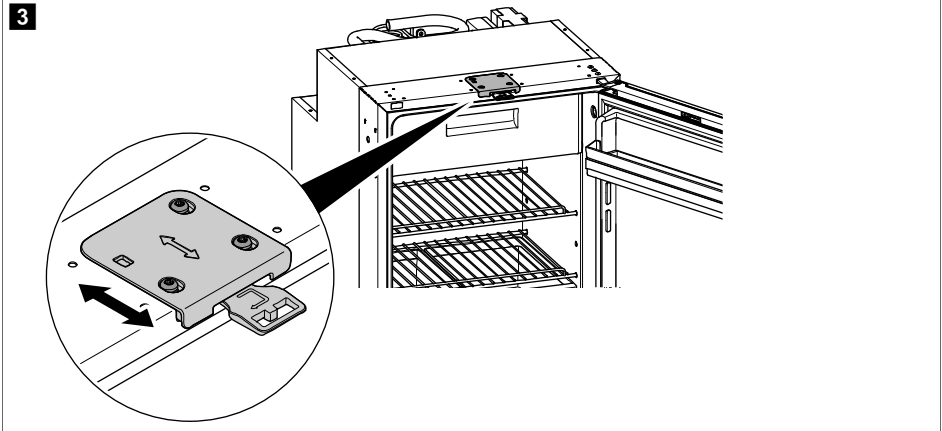


#### HINWEIS

- > Lagern Sie Waren erst 4 Stunden nach Inbetriebnahme des Kühlschranks ein.
- > Bei Erstinbetriebnahme des Kühlschranks kann es zu einer Geruchsbildung kommen, die sich nach einigen Stunden verflüchtigt. Durchlüften Sie den Wohnraum gut.
- > Die Kühlleistung kann beeinflusst werden von:
  - der Umgebungstemperatur (z. B. wenn das Fahrzeug direkter Sonneneinstrahlung ausgesetzt ist),
  - der Menge der zu kühlenden Lebensmittel,
  - der Häufigkeit des Türöffnens
- > Reinigen Sie den Innenraum des Kühlschranks aus hygienischen Gründen (siehe Reinigung und Wartung auf Seite 46).
- > Stellen Sie das Fahrzeug waagrecht ab, besonders bei Inbetriebnahme und Befüllen des Kühlschranks vor Reiseantritt.

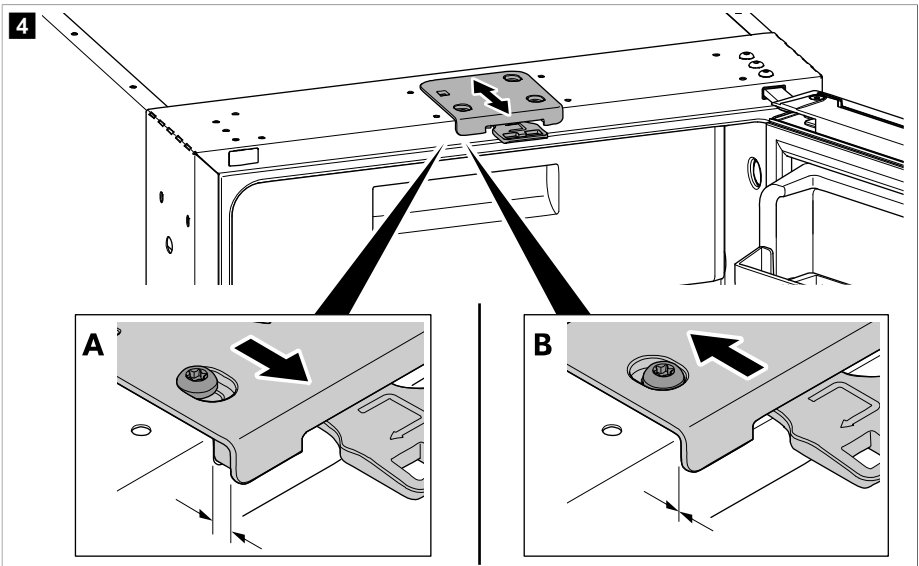
#### 8.1.1 Türverriegelung anpassen

Die Türverriegelung an der Oberseite des Kühlschranks kann so angepasst werden, dass die Schließbreite der Tür geregelt wird.



**i** **HINWEIS** Prüfen Sie, ob die anpassbare Türverriegelung eingebaut ist. Bei Bedarf bestellen Sie die anpassbare Türverriegelung ([dometic.com](http://dometic.com)) und ersetzen Sie die feste Türverriegelung durch die anpassbare Türverriegelung.

> Die Türverriegelung ist werkseitig auf Position **A** eingestellt. Bringen Sie die Türverriegelung in Position **B**.



**i** **HINWEIS** Wenn sich die Türverriegelung in Position **B** befindet, stellen Sie sicher, dass die Tür beim Schließen ordnungsgemäß verriegelt wird (siehe Kapitel Kühlschrantür schließen und verriegeln auf Seite 41).

## 8.2 Informationen zum Lagern von Lebensmitteln



### VORSICHT! Gesundheitsgefahr

Wenn der Kühlschrank längere Zeit einer Umgebungstemperatur unter 10 °C ausgesetzt ist, kann die Regelung der Tiefkühlfachtemperatur nicht mehr garantiert werden. Das kann dazu führen, dass die Temperatur des Tiefkühlfachs ansteigt und die eingelagerten Waren auftauen.

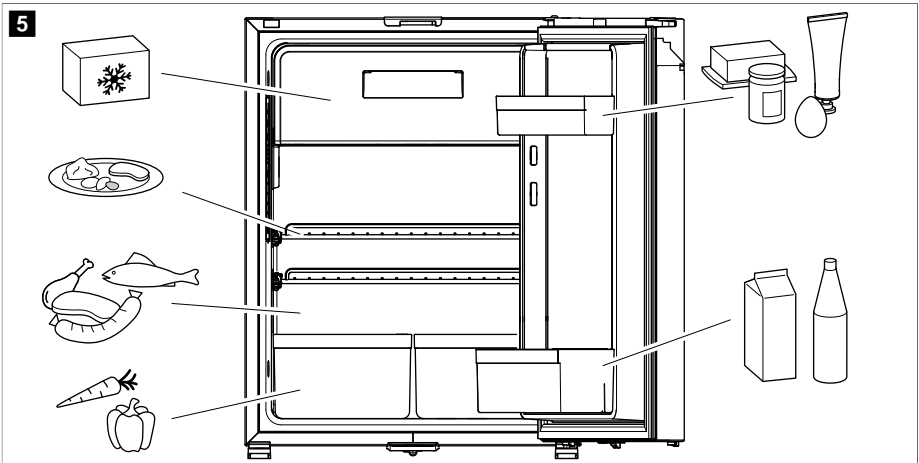


### ACHTUNG! Beschädigungsgefahr

- > Beachten Sie beim Befüllen des Kühlschranks die maximale Tragfähigkeit pro Türablage und Tür (siehe Technische Daten auf Seite 53).
- > Bewahren Sie keine kohlenensäurehaltigen Getränke im Tiefkühlfach auf.

Um Lebensmittelverschwendung zu vermeiden, beachten Sie bitte Folgendes:

- Halten Sie Temperaturschwankungen so gering wie möglich. Öffnen Sie den Kühlschrank nur so oft und so lange wie nötig. Lagern Sie Lebensmittel so, dass die Luft immer noch gut zirkulieren kann.
  - Passen Sie die Temperatur der Menge und Art der Lebensmittel an.
  - Lagern Sie die verschiedenen Lebensmittel wie in den Abbildungen gezeigt.
  - Lebensmittel nehmen leicht Gerüche auf und geben Gerüche oder Aromen ab. Lagern Sie Lebensmittel daher stets abgedeckt oder in geschlossenen Behältern bzw. Flaschen.
- > Lagern Sie Lebensmittel wie gezeigt.



## 8.3 Energie sparen

- Öffnen Sie den Kühlschrank nur so oft und so lange wie nötig.
- Lassen Sie warme Speisen erst abkühlen, bevor Sie sie im Gerät kühl halten.
- Tauen Sie den Kühlschrank ab, sobald sich eine Eisschicht gebildet hat.
- Vermeiden Sie eine unnötig tiefe Innentemperatur.
- Für einen optimalen Energieverbrauch positionieren Sie die Einlegeböden und Schubladen entsprechend ihrer Position bei der Auslieferung.
- Prüfen Sie in regelmäßigen Abständen, ob die Dichtung der Tür noch richtig sitzt.
- Befreien Sie den Kondensator in regelmäßigen Abständen von Staub und Verunreinigungen.

## 8.4 Kühlschrantür verwenden



### VORSICHT! Verletzungsgefahr

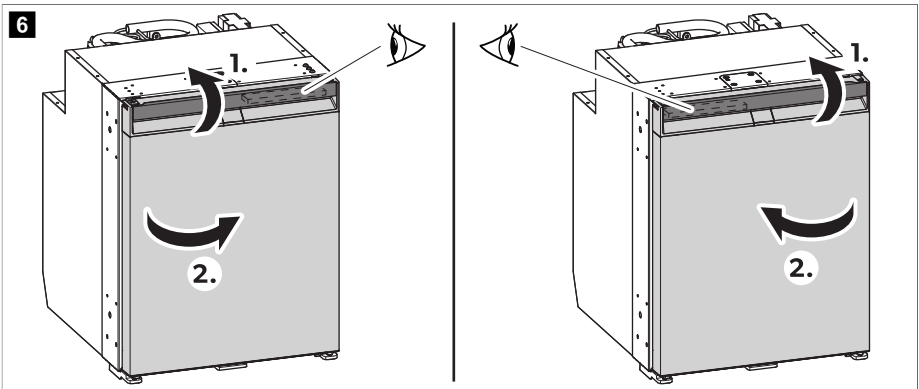
Die Kühlschrantür und die Tiefkühlfachtür können sich bei unsachgemäßem Gebrauch komplett vom Gerät lösen.

### 8.4.1 Kühlschrantür öffnen



**HINWEIS** Stellen Sie sicher, dass Sie den Griff auf der dem Türanschlag gegenüberliegenden Seite ziehen. Achten Sie auf die jeweilige Position des Schiebers. Weitere Informationen finden Sie in der zugehörigen Montageanleitung.

> Gehen Sie wie gezeigt vor, um die Kühlschrantür zu öffnen.



### 8.4.2 Kühlschrantür schließen und verriegeln



### VORSICHT! Verletzungsgefahr

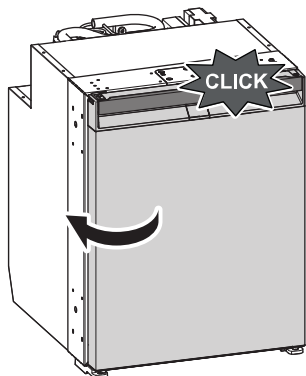
Ist die Tür nicht korrekt verriegelt, drücken Sie vorsichtig oben und unten auf die Tür, bis sie einrastet.



**HINWEIS** Die Kühlschrantür verfügt über einen Verriegelungsmechanismus, der auch als Transportsicherung dient.

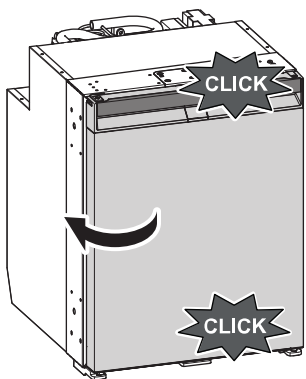
- > NRX0035–0130(E): Drücken Sie die Tür zu, bis Sie oben ein deutliches Klicken hören.

## 7 NRX0035 – 0130 (E)



- > NRX0035–0130(C/S): Drücken Sie die Tür zu, bis Sie oben und unten ein deutliches Klicken hören.

## 8 NRX0035 – 0130 (C/S)





- ✓ Die Tür ist nun geschlossen und verriegelt.

### 8.5 Ein- und ausschalten



**HINWEIS** Schalten Sie den Kühlschrank immer aus, wenn er für längere Zeit nicht benutzt werden soll.


- > Halten Sie zum Einschalten die Taste  mindestens 2 s lang gedrückt.
- ✓ Der Kühlschrank schaltet sich mit der zuletzt gewählten Kühlstufeneinstellung und dem zuletzt gewählten Betriebsmodus ein.
- > Halten Sie zum Ausschalten die Taste  mindestens 2 s lang gedrückt.



## 8.6 Betriebsmodi einstellen



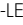
**HINWEIS** Bei Verwendung der Betriebsmodi ECO, PERFORMANCE oder FREEZER bleibt das System in diesem Modus, bis weitere Änderungen vorgenommen werden.

- > Um den Betriebsmodus einzustellen, drücken Sie wiederholt die Taste , bis die Anzeige-LED für den gewünschten Betriebsmodus leuchtet.

Folgende Betriebsmodi stehen zur Verfügung:

### ECO-Modus verwenden

Bei aktiviertem ECO-Modus arbeitet der Kühlschrank mit reduziertem Energieverbrauch bei den Kühlstufen 1–3.

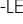
- ✓ Die Betriebsmodus-Anzeige-LED für den ECO-Modus () und die Anzeige-LED der ausgewählten Kühlstufe leuchten.

### QUIET-Modus verwenden

Bei aktiviertem QUIET-Modus arbeitet der Kühlschrank mit reduziertem Geräuschpegel bei den Kühlstufen 1–4.



#### HINWEIS

- > Der QUIET-Modus ist nicht verfügbar, wenn der Kühlschrank im FREEZER-Modus betrieben wird.
- > Bei Verwendung des QUIET-Modus bleibt der Kühlschrank 8 h lang in diesem Modus und kehrt dann in den zuvor ausgewählten Modus zurück (ECO- oder PERFORMANCE-Modus).
- ✓ Die Betriebsmodus-Anzeige-LED für den QUIET-Modus () und die Anzeige-LED der ausgewählten Kühlstufe leuchten.

### Modus LEISTUNGSFÄHIGKEIT verwenden

Bei aktiviertem PERFORMANCE-Modus arbeitet der Kühlschrank im Standard-Modus bei den Kühlstufen 1–5.

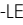
- ✓ Die Betriebsmodus-Anzeige-LED für den PERFORMANCE-Modus () und die Anzeige-LED der ausgewählten Kühlstufe leuchten.

### FREEZER-Modus verwenden

Bei aktiviertem FREEZER-Modus wird der gesamte Innenraum des Kühlschranks auf  $-6^{\circ}\text{C}$  gekühlt.



**HINWEIS** Entnehmen Sie das Tiefkühlfach, um den FREEZER-Modus zu verwenden.

- ✓ Die Betriebsmodus-Anzeige-LED für den FREEZER-Modus () und alle Kühlstufen-Anzeige-LEDs leuchten dauerhaft.

## 8.7 Kühlstufe einstellen

- > Um die Kühlstufe einzustellen, drücken Sie wiederholt die Taste , bis Sie die gewünschte Kühlstufe erreicht haben.

## 8.8 Einlegeböden neu positionieren



### WARNUNG! Gefahr des Einschließens von Kindern

NRX0060–0130: Alle Einlegeböden sind fixiert, damit Kinder nicht in den Kühlschrank hineinsteigen können.

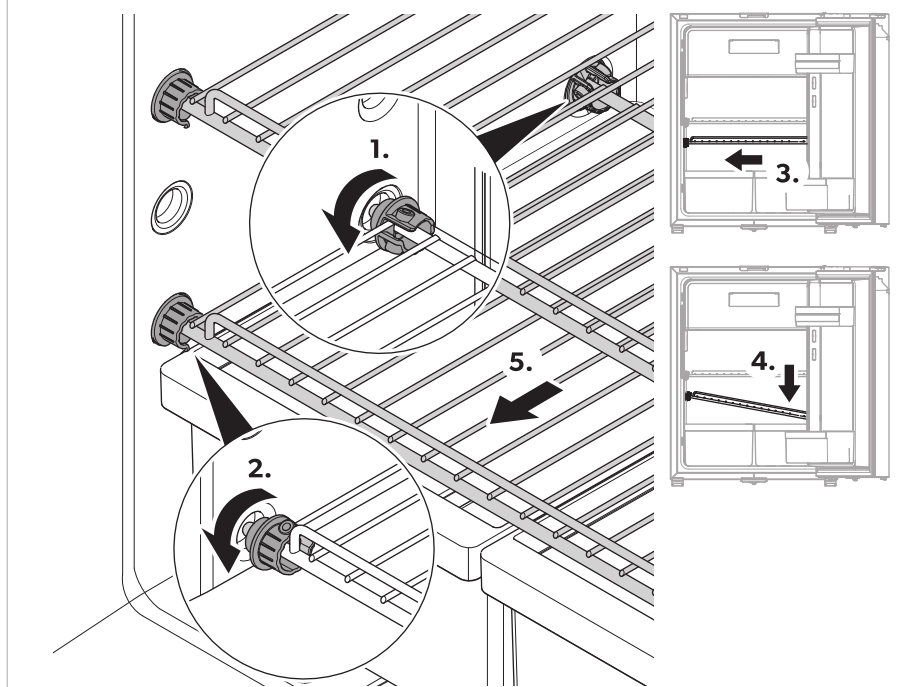
- > Entfernen Sie die Einlegeböden nur zur Reinigung.
- > Setzen Sie die Einlegeböden wieder ein und fixieren Sie sie.



**HINWEIS** Entfernen Sie das Tiefkühlfach, bevor Sie die Einlegeböden neu positionieren, um den Zugriff auf die hinteren Einlegebodenknöpfe zu erleichtern.

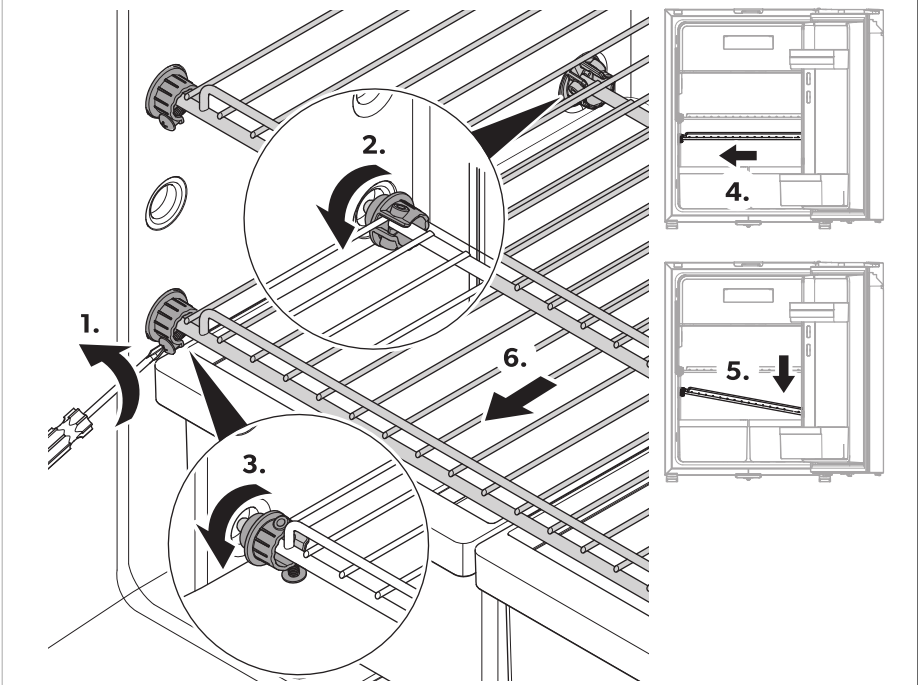
- > **NRX0035-0050:** Um die Einlegeböden wie gewünscht neu zu positionieren, gehen Sie wie gezeigt vor.

### 9 NRX0035 – 0050



- > **NRX0035-0050:** Um die Einlegeböden wie gewünscht neu zu positionieren, gehen Sie wie gezeigt vor.

## 10 NRX0060 – 0130



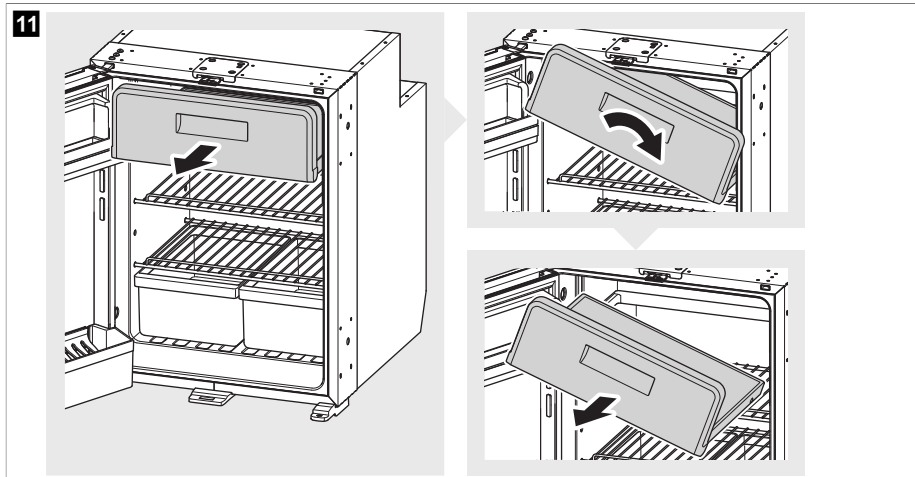
## 8.9 Tiefkühlfach entnehmen



### ACHTUNG! Beschädigungsgefahr

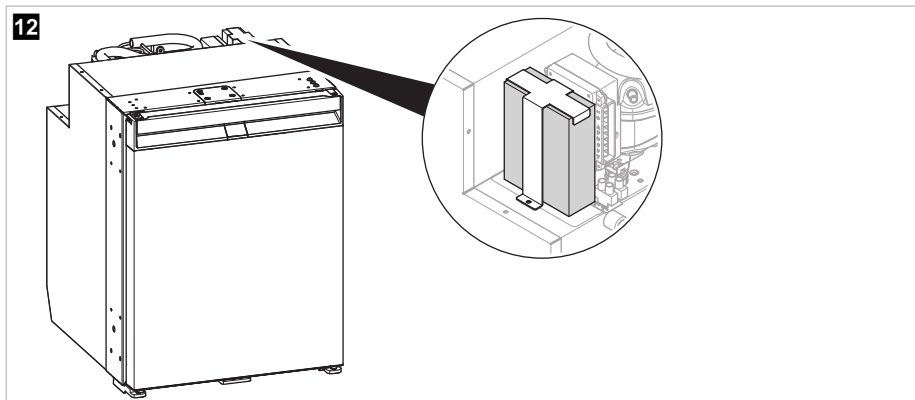
- > Schließen Sie die Tür des Tiefkühlfachs, um das Tiefkühlfach zu entnehmen.
- > Greifen Sie das Tiefkühlfach an der Unterseite. Ziehen Sie nicht an der Tiefkühlfachtür.
- > Lagern Sie das Tiefkühlfach an einem trockenen und sicheren Ort.

- > Gehen Sie wie gezeigt vor, um das Tiefkühlfach zu entnehmen.



## 8.10 AC/DC-Adapter installieren

- > Gehen Sie wie gezeigt vor, um den AC/DC-Adapter (Zubehör) zu installieren.



## 9 Reinigung und Wartung



### WARNUNG! Gefahr durch Stromschlag

Trennen Sie den Kühlschrank vor Reinigungs- und Wartungsarbeiten von der Energiezufuhr.



### ACHTUNG! Beschädigungsgefahr

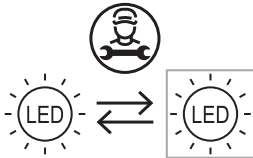
- > Verwenden Sie keine scheuernden Reinigungsmittel oder harten Gegenstände zur Reinigung.
- > Verwenden Sie niemals harte oder spitze Werkzeuge zum Entfernen von Eisschichten oder zum Lösen festgefrorener Gegenstände.

- > Stellen Sie sicher, dass kein Wasser in die Dichtungen tropft. Dies kann die Elektronik beschädigen.



#### **ACHTUNG! Beschädigungsgefahr**

Die Lichtquelle darf nur durch den Hersteller, einen Kundendienst oder eine entsprechend qualifizierte Person ersetzt werden, um Gefährdungen zu vermeiden.



- > Reinigen Sie den Kühlschrank innen und außen regelmäßig sowie bei Verschmutzung mit einem feuchten Tuch. Wischen Sie den Kühlschrank nach dem Reinigen mit einem Tuch trocken.
- > Prüfen Sie den Tauwasserabfluss regelmäßig.  
Reinigen Sie den Tauwasserabfluss, falls nötig. Wenn er verstopft ist, sammelt sich das Tauwasser auf dem Boden des Kühlschranks.
- > Befreien Sie den Kondensator in regelmäßigen Abständen mit einem feuchten Tuch von Staub und Verunreinigungen.

### **Kühlkreislauf**

Der Kühlkreislauf ist wartungsfrei.

### **Kühlschrank abtauen**



#### **ACHTUNG! Beschädigungsgefahr**

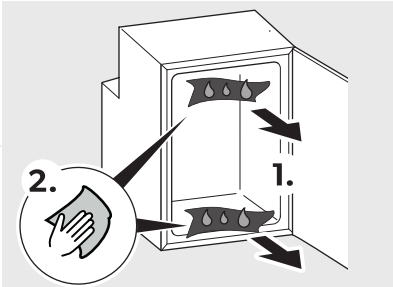
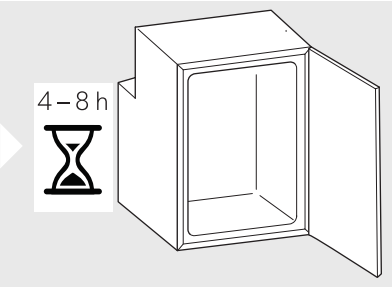
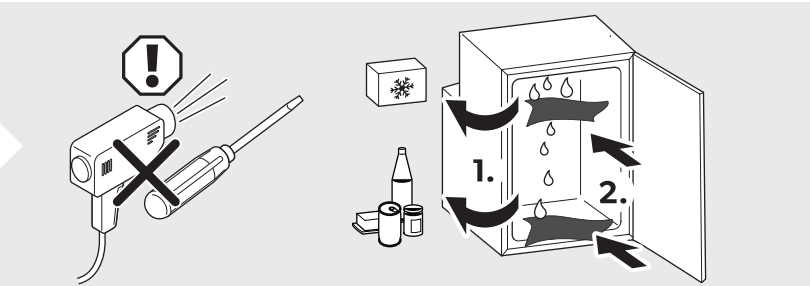
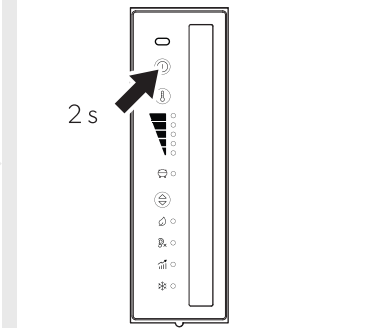
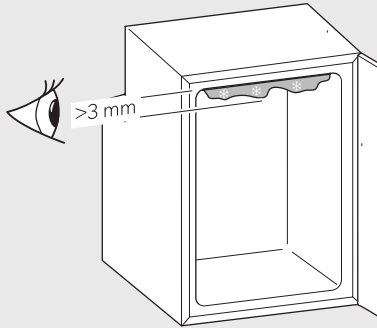
Verwenden Sie keine mechanischen oder andere Hilfsmittel, um den Abtauvorgang zu beschleunigen.



**HINWEIS** Mit der Zeit bildet sich Reif an der Rückwand im Inneren des Kühlschranks. Wenn diese Reifschicht etwa 3 mm dick ist, sollten Sie den Kühlschrank abtauen.

> Um den Kühlschrank abzutauen, gehen Sie wie gezeigt vor.

13



**Kühlschranktür in Aufbewahrungsstellung positionieren**



**VORSICHT! Verletzungsgefahr**

Die Aufbewahrungsstellung darf nicht während der Fahrt verwendet werden.

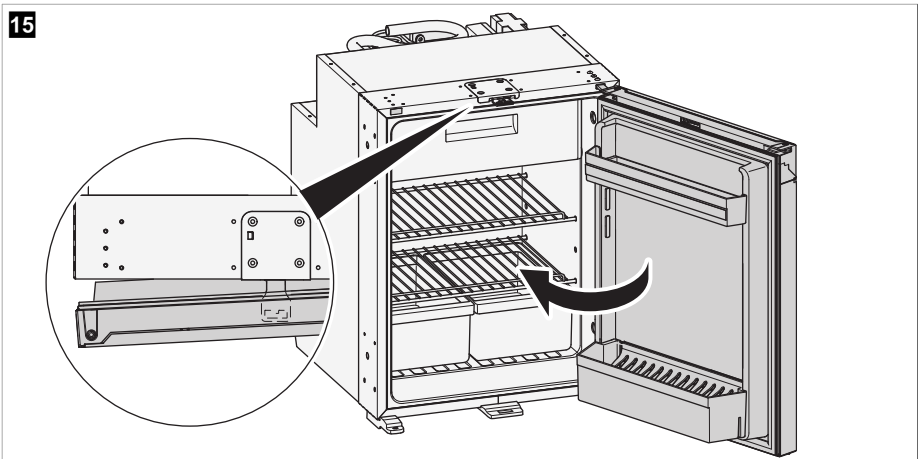
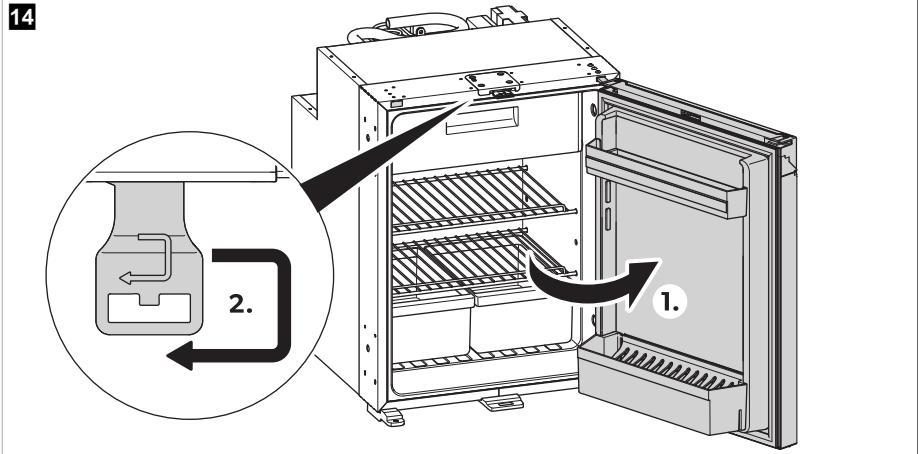


**HINWEIS**

Bringen Sie die Kühlschranktür in die Aufbewahrungsstellung, wenn Sie das Gerät längere Zeit nicht benutzen. Schimmelbildung wird so vermieden.

> Tauen Sie den Kühlschrank ab (siehe Kühlschrank abtauen auf Seite 47).

> Bringen Sie die Kühlschranktür wie gezeigt in die Aufbewahrungsstellung.

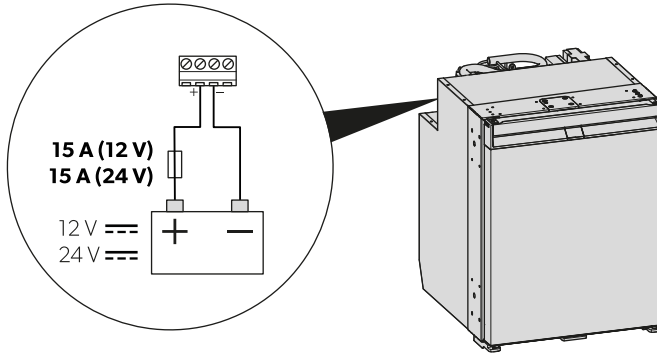


## 10 Fehlersuche und Fehlerbehebung



**HINWEIS** Für den sicheren Betrieb von 12 V Verbrauchern im Wohnwagen während der Fahrt muss sichergestellt sein, dass das Zugfahrzeug ausreichend Spannung zur Verfügung stellt. Bei einigen Fahrzeugen kann es passieren, dass das Batteriemanagementsystem des Fahrzeugs zum Schutz der Batterie Verbraucher automatisch abschaltet. Informieren Sie sich hierzu bei Ihrem Fahrzeughersteller.

16



| Problem   | Mögliche Ursache  | Lösungsvorschlag  |
|---|---|---|
| Der Kühlschrank funktioniert nicht.   | Die Sicherung in der Gleichstrom-Leitung ist defekt.  | > Tauschen Sie die Sicherung aus<br>📺 Abb. 16 auf Seite 50.   |
|   | Die Fahrzeug-Sicherung ist durchgebrannt.   | > Tauschen Sie die Fahrzeug-Sicherung aus.<br>Beachten Sie dazu die Bedienungsanleitung Ihres Fahrzeugs.  |
|   | Die Fahrzeugbatterie ist entladen.  | > Prüfen Sie die Fahrzeugbatterie und laden Sie diese.  |
|   | Die Zündung ist nicht eingeschaltet.  | > Schalten Sie die Zündung ein.   |
|   | Die Temperatur des Compressors ist zu niedrig (< 0 °C).   | > Verschließen/bedecken Sie alle Außenlüftungsgitter vollständig mit Isoliermaterial.   |
|   | Der Kühlschrank schaltet sich automatisch ab, wenn die Spannung nicht ausreicht.<br><br>(Ausschaltspannung: 10,4 V ⇔) | > Laden Sie die Batterie. Der Kühlschrank startet automatisch wieder.<br>(Einschaltspannung: 11,7 V ⇔)  |
| Kühlleistung schlecht, Innentemperatur steigt an. Der Kompressor läuft durchgehend. | Die Belüftung um das Aggregat ist unzureichend.   | > Prüfen Sie, ob das Lüftungsgitter frei ist.<br>> Stellen Sie den Kühlschrank an einem anderen Ort auf.  |
|   | Die Innenwände sind vereist.  | > Prüfen Sie, ob die Kühlschranktür richtig schließt.<br>> Stellen Sie sicher, dass die Dichtung des Kühlschranks korrekt anliegt und nicht beschädigt ist.<br>> Tauen Sie den Kühlschrank ab (siehe Kühlschrank abtauen auf Seite 47). |
|   | Die Temperatur ist zu hoch eingestellt.   | > Stellen Sie eine niedrigere Temperatur ein.   |
|   | Die Umgebungstemperatur ist zu hoch.  | > Entnehmen Sie zeitweise das Lüftungsgitter, sodass die warme Luft schneller entweicht.  |



| Problem   | Mögliche Ursache  | Lösungsvorschlag   |
|---|---|--|
|   | Es wurden zu viele Lebensmittel gleichzeitig in den Kühlschrank gegeben.                | > Entnehmen Sie einen Teil der Lebensmittel.   |
|   | Es wurden zu viele warme Lebensmittel gleichzeitig in den Kühlschrank gegeben.          | > Entnehmen Sie die warmen Lebensmittel und lassen Sie sie vor der Einlagerung abkühlen. |
|   | Der Kühlschrank ist noch nicht lange in Betrieb.  | > Prüfen Sie die Temperatur erneut nach 4 h / 5 h .                                      |
|   | Der Kondensator ist verschmutzt.  | > Reinigen Sie den Kondensator (siehe Kapitel Reinigung und Wartung auf Seite 46).       |
|   | Der Lüfter ist defekt.  | > Wenden Sie sich an einen autorisierten Kundendienst.                                   |
| Kühlleistung schlecht, Innentemperatur steigt an.<br><br>Der Kompressor läuft nicht oft.                            | Die Batteriekapazität ist erschöpft.  | > Laden Sie die Batterie auf.  |
| Kühlleistung schlecht, Innentemperatur steigt an.<br><br>Der Kompressor läuft nicht (Batterieanschluss).            | Unterbrechung in der Anschlussleitung Batterieelektronik.                               | > Stellen Sie eine Verbindung her.   |
|   | Der Hauptschalter ist defekt (falls vorhanden).   | > Wechseln Sie den Hauptschalter.  |
|   | Die zusätzliche Leitungsabsicherung ist durchgebrannt (falls vorhanden).                | > Wechseln Sie die Leitungsabsicherung.  |
|   | Die Batteriespannung ist zu niedrig.  | > Laden Sie die Batterie auf.  |
|   | Die Batteriekapazität ist zu niedrig.   | > Ersetzen Sie die Batterie.   |
|   | Die Kabel haben sich gelöst.<br>Der Kontakt ist schlecht (Korrosion).                   | > Stellen Sie eine Verbindung her.   |
|   | Der Kabelquerschnitt ist zu klein.  | > Ersetzen Sie das Kabel.  |
|   | Der Kompressor ist defekt.  | > Wenden Sie sich an einen autorisierten Kundendienst.                                   |
| Kühlleistung schlecht, Innentemperatur steigt an.<br><br>Der Kompressor läuft nicht (Anschluss an Wechselspannung). | Die Anschlussleitung ist unterbrochen.  | > Stellen Sie eine Verbindung her.   |
|   | Der Hauptschalter ist defekt (falls vorhanden).   | > Wechseln Sie den Hauptschalter.  |
|   | Die zusätzliche Leitungsabsicherung ist durchgebrannt (falls vorhanden).                | > Wechseln Sie die Leitungsabsicherung.  |
|   | Der Kompressor ist defekt.  | > Wenden Sie sich an einen autorisierten Kundendienst.                                   |
| Ungewöhnliche Geräusche.  | Ein Bauteil des Kältemittelkreislaufs kann nicht frei schwingen (liegt an der Wand an). | > Biegen Sie das Bauteil vorsichtig von dem Hindernis weg.                               |
|   | Ein Fremdkörper ist zwischen dem Kühlaggregat und der Wand eingeklemmt.                 | > Entfernen Sie den Fremdkörper.   |
|   | Lüftergeräusch.   | > Wenden Sie sich an einen autorisierten Kundendienst.                                   |

| Problem  | Mögliche Ursache   | Lösungsvorschlag   |
|--|--|--|
| Die Tür öffnet sich bei Bewegungen unbeabsichtigt (z. B. während der Fahrt). | Die Türverriegelung wird auf Position <b>A</b> gestellt (siehe Kapitel Türverriegelung anpassen auf Seite 38).   | > Stellen Sie die Türverriegelung auf Position <b>B</b> .                        |
| Die Tür schließt nicht richtig.  | Die Türverriegelung wird auf Position <b>A</b> gestellt (siehe Kapitel Türverriegelung anpassen auf Seite 38).   | > Stellen Sie die Türverriegelung auf Position <b>B</b> .                        |
|  | Die Türverriegelung ist auf Position <b>B</b> gestellt (siehe Kapitel Türverriegelung anpassen auf Seite 38), aber die Tür ist nicht richtig verriegelt. | > Stellen Sie sicher, dass die Tür beim Schließen ordnungsgemäß verriegelt wird. |

## Fehleranzeige



### HINWEIS

- > Alle Fehler werden durch orangefarbenes Blinken der Fehleranzeige-LED angezeigt (siehe Bedien- und Anzeigeelemente auf Seite 37). Die Anzahl der Blinksignale hängt von der Art des Fehlers ab. Jedes Blinksignal dauert eine Viertelsekunde. Nach der Blinksequenz folgt eine Pause. Die Sequenz für den Fehler wird alle vier Sekunden wiederholt.
- > In den Betriebsmodi ECO, PERFORMANCE und FREEZER ertönt ein zusätzlicher Piepton.

| Blinkfrequenz | Error                                | Mögliche Ursache  |
|---------------|--------------------------------------|---|
| 1             | Unter- oder Überspannung             | Die Versorgungsspannung liegt außerhalb des eingestellten Bereichs.   |
| 2             | Lüfter-Überstrom                     | Der Lüfter belastet die Elektronikeinheit mit mehr als 1 A.   |
| 3             | Motor läuft nicht an                 | Der Rotor sitzt fest.<br>Der Differenzdruck im Kühlsystem ist zu hoch.  |
| 4             | Zu niedrige Drehzahl                 | Bei zu stark belastetem Kühlsystem lässt sich die Mindestdrehzahl des Motors nicht aufrecht erhalten.         |
| 5             | Übertemperatur der Elektronikeinheit | Bei zu stark belastetem Kühlsystem oder zu hoch eingestellter Temperatur kann sich die Elektronik überhitzen. |
| Dauernd       | Temperatursensorfehler               | Der Temperatursensor ist defekt.  |

## 11 Gewährleistung

Es gilt die gesetzliche Gewährleistungsfrist. Sollte das Produkt defekt sein, wenden Sie sich bitte an die Niederlassung des Herstellers in Ihrem Land (siehe [dometic.com/dealer](http://dometic.com/dealer)) oder an Ihren Fachhändler.

Bitte senden Sie bei einem Reparatur- bzw. Gewährleistungsantrag folgende Unterlagen mit dem Gerät ein:

- eine Kopie der Rechnung mit Kaufdatum
- einen Reklamationsgrund oder eine Fehlerbeschreibung

Bitte beachten Sie, dass eigenständig oder nicht fachgerecht durchgeführte Reparaturen die Sicherheit gefährden und zum Erlöschen der Gewährleistung führen können.

## 12 Entsorgung



### ACHTUNG! Beschädigungsgefahr

Die Isolierung des Kühlgeräts enthält brennbares Cyclopentan und erfordert ein besonderes Entsorgungsverfahren. Entsorgen Sie das Kühlgerät am Ende seiner Nutzungsdauer in einem entsprechenden Recyclingcenter.



Geben Sie das Verpackungsmaterial möglichst in den entsprechenden Recycling-Müll. Wenden Sie sich an einen örtlichen Wertstoffhof oder einen Fachhändler, um zu erfahren, wie Sie das Produkt gemäß den geltenden Entsorgungsvorschriften entsorgen können. Europa: Das Produkt kann kostenlos entsorgt werden.

## 13 Technische Daten

Die aktuelle EU-Konformitätserklärung für Ihr Gerät finden Sie auf der jeweiligen Produktseite auf [dometic.com](http://dometic.com). Wenden Sie sich alternativ dazu direkt an den Hersteller (siehe [dometic.com/dealer](http://dometic.com/dealer)).

Dieses Gerät entspricht der UN ECE-Regelung R10.

|   | NRX0035(E/C/S) | NRX0050(E/C/S)           | NRX0060(E/C/S) |
|---|----------------|--------------------------|----------------|
| Kapazität   |                |                          |                |
| • Kühlfach (nur NRX0035–0130[C/S])                | 27,3 L         | 39,6 L                   | 48,9 L         |
| • Tiefkühlfach (nur NRX0035–0130[C/S])            | 4,4 L          | 4,4 L                    | 6,1 L          |
| • Gesamtfassungsvermögen                          | 32 L           | 44 L                     | 55 L           |
| • Gesamtfassungsvermögen (Tiefkühlfach entnommen) | 34 L           | 46 L                     | 58 L           |
| Anschlussspannung                                 |                | 12 / 24 V <sup>===</sup> |                |
| Bordbatterieschutz (12 V)                         |                |                          |                |
| • Ausschaltspannung                               |                | 10,4 V                   |                |
| • Wiedereinschaltspannung                         |                | 11,7 V                   |                |
| Bordbatterieschutz (24 V)                         |                |                          |                |
| • Ausschaltspannung                               |                | 22,8 V                   |                |
| • Wiedereinschaltspannung                         |                | 24,2 V                   |                |
| Klimaklasse                                       |                | T                        |                |
| Lagertemperaturbereich:                           |                |                          |                |
| • Kühlschrank                                     |                | 0 °C ... 12 °C           |                |
| • Tiefkühlfach (nur NRX0035–0130[C/S])            |                | -15 °C ... -5 °C         |                |
| • Tiefkühlfach (nur NRX0035–0130[C/S])            |                | -6 °C                    |                |
| Für den Gebrauch vorgesehene Umgebungstemperatur  |                | 16 °C ... 43 °C          |                |
| Kältemittel                                       |                | R134a                    |                |
| Kältemittelmenge                                  | 24 g           | 26 g                     | 30 g           |
| CO <sub>2</sub> -Äquivalent                       | 0,034t         | 0,037t                   | 0,043t         |

|                           | <b>NRX0035(E/C/S)</b>  | <b>NRX0050(E/C/S)</b>       | <b>NRX0060(E/C/S)</b>       |
|---------------------------|--|-----------------------------|-----------------------------|
| Treibhauspotential (GWP)  | 1430   |                             |                             |
| Schallemission (EN 60704) | 40 ... 45 dB(A)  |                             |                             |
| Abmessungen H x B x T     | 525 × 380 × 355 mm<br>(ohne Kompressor<br>und Distanzstück)<br><br>525 mm ×<br>380 mm × 480 mm<br><br>(mit Kompressor<br>und Distanzstück) | 525 mm ×<br>380 mm × 510 mm | 525 mm ×<br>448 mm × 537 mm |
| Nettogewicht              | E: 13,5 kg<br>C, S: 16 kg  | E: 14,5 kg<br>C, S: 17 kg   | E: 16 kg<br>C, S: 17 kg     |
| Maximale Zuladung         |  |                             |                             |
| • Pro Türablage           | 4 kg   | 4 kg                        | 5 kg                        |
| • Pro Tür                 | E: 4 kg<br>C/S: 8 kg   | E: 4 kg<br>C/S: 8 kg        | E: 5 kg<br>C/S: 10 kg       |

|   | <b>NRX0080(E/C/S)</b>   | <b>NRX0115(E/C/S)</b> | <b>NRX0130(E/C/S)</b> |
|---|-------------------------|-----------------------|-----------------------|
| Kapazität   |                         |                       |                       |
| • Kühlfach (nur NRX0035-0130[C/S])                | 68,4 L                  | 104,5 L               | 118 L                 |
| • Tiefkühlfach (nur NRX0035-0130[C/S])            | 6,6 L                   | 8,2 L                 | 8,2 L                 |
| • Gesamtfassungsvermögen                          | 75 L                    | 113 L                 | 126 L                 |
| • Gesamtfassungsvermögen (Tiefkühlfach entnommen) | 78 L                    | 116 L                 | 130 L                 |
| Anschlussspannung                                 | 12 / 24 V <sup>==</sup> |                       |                       |
| Bordbatterieschutz ( 12 V )                       |                         |                       |                       |
| • Ausschaltspannung                               | 10,4 V                  |                       |                       |
| • Wiedereinschaltspannung                         | 11,7 V                  |                       |                       |
| Bordbatterieschutz ( 24 V )                       |                         |                       |                       |
| • Ausschaltspannung                               | 22,8 V                  |                       |                       |
| • Wiedereinschaltspannung                         | 24,2 V                  |                       |                       |
| Klimaklasse                                       | T                       |                       |                       |
| Lagertemperaturbereich                            |                         |                       |                       |
| • Kühlschrank                                     | 0 °C ... 12 °C          |                       |                       |
| • Tiefkühlfach (nur NRX0035-0130[C/S])            | -15 °C ... -5 °C        |                       |                       |
| • FREEZER-Modus (nur NRX0035-0130C/S)             | -6 °C                   |                       |                       |

|  | NRX0080(E/C/S)          | NRX0115(E/C/S)          | NRX0130(E/C/S)          |
|--|-------------------------|-------------------------|-------------------------|
| Für den Gebrauch vorgesehene Umgebungstemperatur | 16 °C ... 43 °C         |                         |                         |
| Kältemittel                                      | R134a                   |                         |                         |
| Kältemittelmenge                                 | 32 g                    | 40 g                    | 40 g                    |
| CO <sub>2</sub> -Äquivalent                      | 0,046 t                 | 0,057 t                 | 0,057 t                 |
| Treibhauspotential (GWP)                         | 1430                    |                         |                         |
| Schallemission (EN 60704)                        | 40 ... 45 dB(A)         |                         |                         |
| Abmessungen H x B x T                            | 625 × 475 × 537 mm      | 745 × 525 × 568 mm      | 812 × 525 × 568 mm      |
| Nettogewicht                                     | C, S: 20 kg<br>E: 18 kg | C, S: 26 kg<br>E: 24 kg | C, S: 27 kg<br>E: 25 kg |
| Maximale Zuladung                                |                         |                         |                         |
| • Pro Türablage                                  | 5 kg                    | 6 kg                    | 6 kg                    |
| • Pro Tür  | 10 kg                   | E: 12 kg<br>C/S: 18 kg  | E: 12 kg<br>C/S: 18 kg  |

## 14 Technische Daten

Die aktuelle EU-Konformitätserklärung für Ihr Gerät finden Sie auf der jeweiligen Produktseite auf [dometic.com](http://dometic.com). Wenden Sie sich alternativ dazu direkt an den Hersteller (siehe [dometic.com/dealer](http://dometic.com/dealer)).

Dieses Gerät entspricht der UN ECE-Regelung R10.

|   | NRX0090V                |
|---|-------------------------|
| Kapazität   |                         |
| • Kühlschrankfach                                 | 79 L                    |
| • Tiefkühlfach                                    | 8,4 L                   |
| • Gesamtfassungsvermögen                          | 87 L                    |
| • Gesamtfassungsvermögen (Tiefkühlfach entnommen) | 92 L                    |
| Anschlussspannung                                 | 12 / 24 V <sup>==</sup> |
| Bordbatterieschutz (12 V)                         |                         |
| • Ausschaltspannung                               | 10,4 V                  |
| • Wiedereinschaltspannung                         | 11,7 V                  |
| Bordbatterieschutz (24 V)                         |                         |
| • Ausschaltspannung                               | 22,8 V                  |
| • Wiedereinschaltspannung                         | 24,2 V                  |
| Energieverbrauch                                  | 0,35 kWh / 24 h         |
| Klimaklasse                                       | T                       |
| Lagertemperaturbereich                            |                         |

|   | <b>NRX0090V</b>                                    |
|---|--|
| <ul style="list-style-type: none"><li>• Kühlschrank</li><li>• Tiefkühlfach</li><li>• FREEZER-Modus</li></ul>                | 0 °C ... 15 °C<br>-12 °C ... -5 °C<br>-5 °C ± 2 °C |
| Für den Gebrauch vorgesehene Umgebungstemperatur  | 16 °C ... 43 °C                                    |
| Kältemittel   | R600a  |
| Kältemittelmenge  | 22 g   |
| CO <sub>2</sub> -Äquivalent   | 0,000 t  |
| Treibhauspotential (GWP)  | 3  |
| Geräuschemission (EN60704) <ul style="list-style-type: none"><li>• Modus LEISTUNGSFÄHIGKEIT</li><li>• QUIET-Modus</li></ul> | < 40 dB(A)<br>37 dB(A)                             |
| Abmessungen H x B x T   | 821 mm × 486 mm × 480 mm                           |
| Nettogewicht  | 22 kg  |

## Français

|    |                                 |    |
|----|---------------------------------|----|
| 1  | Remarques importantes.....      | 57 |
| 2  | Signification des symboles..... | 57 |
| 3  | Consignes de sécurité.....      | 58 |
| 4  | Contenu de la livraison.....    | 61 |
| 5  | Accessoires.....                | 61 |
| 6  | Usage conforme.....             | 62 |
| 7  | Description technique.....      | 63 |
| 8  | Utilisation.....                | 65 |
| 9  | Nettoyage et entretien.....     | 73 |
| 10 | Dépannage.....                  | 76 |
| 11 | Garantie.....                   | 79 |
| 12 | Mise au rebut.....              | 80 |
| 13 | Données techniques.....         | 80 |
| 14 | Données techniques.....         | 83 |

## 1 Remarques importantes

Veuillez lire et suivre attentivement l'ensemble des instructions, directives et avertissements figurant dans ce manuel afin d'installer, d'utiliser et d'entretenir le produit correctement à tout moment. Ces instructions DOIVENT rester avec le produit.

En utilisant ce produit, vous confirmez expressément avoir lu attentivement l'ensemble des instructions, directives et avertissements et que vous comprenez et acceptez de respecter les modalités et conditions énoncées dans le présent document. Vous acceptez d'utiliser ce produit uniquement pour l'usage et l'application prévus et conformément aux instructions, directives et avertissements figurant dans le présent manuel, ainsi qu'à toutes les lois et réglementations applicables. En cas de non-respect des instructions et avertissements figurant dans ce manuel, vous risquez de vous blesser ou de blesser d'autres personnes, d'endommager votre produit ou d'endommager d'autres biens à proximité. Le présent manuel produit, y compris les instructions, directives et avertissements, ainsi que la documentation associée peuvent faire l'objet de modifications et de mises à jour. Pour obtenir des informations actualisées sur le produit, consulter le site [documents.dometic.com](http://documents.dometic.com).

## 2 Signification des symboles

Un mot de signalement identifie les messages relatifs à la sécurité et aux dégâts matériels en indiquant le degré ou le niveau de gravité du danger.



### **DANGER !**

Indique une situation dangereuse qui, si elle n'est pas évitée, entraînera des blessures graves, voire mortelles.



### **AVERTISSEMENT !**

Indique une situation dangereuse qui, si elle n'est pas évitée, est susceptible d'entraîner des blessures graves, voire mortelles.



### **ATTENTION !**

Indique une situation dangereuse qui, si elle n'est pas évitée, est susceptible d'entraîner des blessures légères ou de gravité modérée.



### **AVIS !**

Indique une situation dangereuse qui, si elle n'est pas évitée, peut entraîner des dommages matériels.



**REMARQUE** Informations supplémentaires concernant l'utilisation de ce produit.

## 3 Consignes de sécurité

### Sécurité générale



#### AVERTISSEMENT ! Risque d'électrocution

- > L'installation et le retrait du réfrigérateur doivent uniquement être réalisés par du personnel qualifié.
- > Faire exécuter l'installation dans des pièces humides et dans des zones exposées à l'eau uniquement par un spécialiste.
- > Si vous installez le réfrigérateur sous un auvent ou un endroit similaire, assurez-vous qu'il est protégé de la pluie et des éclaboussures.
- > Si le réfrigérateur présente des dégâts visibles, vous ne devez pas le mettre en service.
- > Seul du personnel qualifié est habilité à réparer le réfrigérateur. Toute réparation mal effectuée risquerait d'entraîner de graves dangers ou d'endommager le réfrigérateur.
- > Si le câble de raccordement du réfrigérateur est endommagé, il doit être remplacé par le fabricant, son service après-vente ou une personne de qualification similaire, afin d'éviter tout danger.
- > Veillez à ne pas coincer ni endommager le cordon d'alimentation lors de la mise en place du réfrigérateur.
- > Ne placez pas de multiprises portables ou de blocs d'alimentation portables à l'arrière du réfrigérateur.
- > Ne touchez pas les câbles dénudés à mains nues.
- > Branchez l'appareil sur des prises permettant un raccordement approprié, en particulier lorsque l'appareil doit être relié à la terre.
- > Si l'appareil est alimenté sur secteur, assurez-vous que l'alimentation dispose d'un disjoncteur différentiel ou d'un disjoncteur de fuite à la terre. L'installation doit être effectuée conformément à toutes les réglementations en vigueur, en particulier dans les zones potentiellement humides.



#### AVERTISSEMENT ! Risque d'incendie

- > Le circuit frigorifique contient une faible quantité de fluide frigorigène écologique, . Il n'affecte pas la couche d'ozone et ne contribue pas à l'effet de serre. Une fuite de fluide frigorigène peut prendre feu.
- > N'utilisez ou ne stockez pas le réfrigérateur dans des espaces confinés avec une aération faible ou inexistante.
- > Veillez à ne pas installer de composants électroniques et de sources lumineuses susceptibles de générer des étincelles ou des arcs électriques lors du fonctionnement normal ou anormal (ex. : relais, compteurs) dans la cavité d'installation du réfrigérateur.
- > L'isolation du réfrigérateur contient un gaz inflammable (cyclopentane) et nécessite des procédures d'élimination spéciales. À la fin de son cycle de vie, déposez le réfrigérateur dans un centre de recyclage approprié.



#### AVERTISSEMENT ! Risque d'explosion

Ne stockez aucune substance explosive, telle que des aérosols contenant des gaz combustibles, dans le réfrigérateur.



#### AVERTISSEMENT ! Risque pour la santé

- > Ce réfrigérateur peut être utilisé par des enfants âgés de 8 ans et plus et des personnes ayant des capacités physiques, sensorielles ou mentales réduites ou un manque d'expérience et de connaissances, s'ils sont sous surveillance ou ont reçu des instructions sur l'utilisation du réfrigérateur en toute sécurité et comprennent les risques impliqués.



- > Les enfants âgés de 3 à 8 ans peuvent remplir et vider le réfrigérateur.
- > Le nettoyage et l'entretien ne doivent pas être effectués par des enfants sans surveillance.
- > Les enfants doivent être surveillés pour s'assurer qu'ils ne jouent pas avec le réfrigérateur.



#### **AVERTISSEMENT ! Risque d'enfermement d'enfant**

- > Veillez à ce que les clayettes soient montées et fixées de sorte que les enfants ne puissent pas s'enfermer dans le réfrigérateur.
- > Avant de mettre au rebut votre ancien réfrigérateur :
  - Démontez les tiroirs.
  - Laissez les clayettes dans le réfrigérateur, afin que les enfants ne puissent pas entrer dedans.
- > Enlevez les portes de leurs gonds.



#### **ATTENTION ! Risque pour la santé**

- > Pour éviter tout risque dû à l'instabilité du réfrigérateur, celui-ci doit être fixé conformément aux instructions d'installation.
- > Veillez à ce que les orifices de ventilation situés sur le réfrigérateur et dans la structure intégrée ne soient pas obstrués.
- > N'utilisez pas d'appareils mécaniques ou d'autres moyens pour accélérer le processus de dégivrage, outre ceux recommandés par le fabricant.
- > N'ouvrez ou n'endommagez en aucun cas le circuit frigorifique.
- > N'exploitez aucun appareil électrique à l'intérieur du réfrigérateur, sauf si le fabricant le recommande.



#### **ATTENTION ! Risque de blessure**

- > N'utilisez ou ne stockez pas de matériaux inflammables dans ce réfrigérateur ou à proximité de celui-ci.
- > Ne placez pas d'articles dans ou contre ce réfrigérateur.
- > Ne modifiez pas ce réfrigérateur.



#### **AVIS ! Risque d'endommagement**

- > Sélectionnez le fonctionnement sur courant continu uniquement lorsque le moteur du véhicule tourne et fournit une tension suffisante, ou lorsque vous utilisez un moniteur de batterie.
- > Veillez à ce que l'évacuation de la condensation, s'il y en a, soit toujours propre.
- > Si le réfrigérateur est équipé de grilles d'aération, n'utilisez pas de nettoyeur à haute pression lors du nettoyage de véhicule dans la zone de la grille.
- > Le réfrigérateur ne doit pas être exposé à la pluie.
- > Ne tirez jamais sur le câble de raccordement pour sortir la fiche de la prise.

## **Sécurité d'exploitation de l'équipement de réfrigération**



#### **DANGER ! Risque d'électrocution**

Avant de mettre le réfrigérateur en service, assurez-vous que le câble et la prise d'alimentation électrique sont secs.



#### **ATTENTION ! Risque pour la santé**

- > Assurez-vous de stocker uniquement des objets pouvant être refroidis à la température sélectionnée dans le réfrigérateur.
- > Nettoyez régulièrement les surfaces qui entrent en contact avec les aliments, ainsi que les systèmes de drainage accessibles.
- > Stockez la viande et le poisson crus dans des récipients appropriés à l'intérieur du réfrigérateur de façon à ce qu'ils ne soient pas en contact avec d'autres aliments et ne puissent pas gouter sur ceux-ci.

- > Une ouverture prolongée de la porte peut entraîner une augmentation significative de la température dans les compartiments du réfrigérateur. Si le réfrigérateur reste vide pendant une période prolongée :
  - Éteignez le réfrigérateur.
  - Dégivrez le réfrigérateur.
  - Nettoyez et séchez le réfrigérateur.
  - Laissez la porte ouverte pour éviter que des moisissures ne se forment à l'intérieur du réfrigérateur. Si possible, placez la porte du réfrigérateur et celle du congélateur en position hiver.



#### **ATTENTION ! Risque de blessure**

- > Ne touchez pas la charnière.
- > Fermez et verrouillez la porte du réfrigérateur avant tout trajet.
- > Le système frigorifique situé à l'arrière du réfrigérateur devient très chaud pendant le fonctionnement. Si le réfrigérateur est équipé de grilles d'aération, protégez-vous contre tout contact avec des pièces chaudes lors de la dépose de ces grilles.
- > La porte de l'appareil ou du congélateur peut se détacher de l'appareil si elle n'est pas utilisée correctement. Appuyez sur la porte pour la fermer, jusqu'à ce que vous entendiez un clic distinct sur ses parties supérieure et inférieure.



#### **AVIS ! Risque d'endommagement**

- > Ne vous appuyez pas sur la porte du réfrigérateur lorsqu'elle est ouverte.
- > Stockez les objets lourds tels que les bouteilles ou canettes exclusivement dans la porte du réfrigérateur, dans le bac à légumes ou sur la clayette inférieure.
- > Si le réfrigérateur dispose d'une double porte et qu'elle n'est pas verrouillée correctement du côté opposé, appuyez de ce côté en haut et en bas jusqu'à ce qu'elle se verrouille.
- > **Risque de surchauffe !** Veillez toujours à ce que la chaleur produite lors du fonctionnement puisse se dissiper suffisamment. Veillez à ce que le réfrigérateur se trouve à distance suffisante des murs ou autres objets, de sorte que l'air puisse circuler.
- > Ne remplissez pas l'intérieur du réfrigérateur de substances liquides ou de glace.
- > Tenez le réfrigérateur et les câbles à l'abri de la chaleur et de l'humidité.
- > Ne tirez jamais sur le câble de raccordement pour sortir la fiche de la prise.



#### **REMARQUE**

- > Si le système de gestion de la batterie de votre véhicule arrête le réfrigérateur pour protéger la batterie, contactez le fabricant de votre véhicule.
- > Si les températures ambiantes sont comprises entre 15 °C ... 25 °C , choisissez le réglage de température intermédiaire.
- > Si la porte n'est pas verrouillée correctement du côté opposé, appuyez de ce côté en haut et en bas jusqu'à ce qu'elle se verrouille.
- > Pour éviter de gâcher des aliments, notez les éléments suivants :
  - Évitez autant que possible les variations de température. Ouvrez uniquement le congélateur lorsque c'est nécessaire et le moins longtemps possible. Entrez les denrées alimentaires de sorte que l'air puisse circuler librement entre elles.
  - Assurez-vous de stocker uniquement des objets pouvant être refroidis à la température sélectionnée dans le réfrigérateur.
  - Entrez les divers types de denrées alimentaires comme indiqué sur les figures.
  - Si vous pouvez régler la température : Ajustez la température en fonction de la quantité et de la nature des denrées alimentaires.
  - Les denrées alimentaires peuvent facilement absorber ou dégager des odeurs. Entrez toujours les denrées alimentaires dans des conteneurs/bouteilles couverts ou fermés.

## 4 Contenu de la livraison

| Quantité | Description                                |
|----------|--|
| 1        | Réfrigérateur à compresseur                |
| 1        | Coude de vidange                           |
| 1        | Mode d'emploi abrégé                       |
| 1        | Manuel d'utilisation (en ligne uniquement) |
| 1        | Instructions de montage                    |

## 5 Accessoires

Disponibles comme accessoires (non compris dans la livraison) :

| Description  | N° d'article |
|--|--------------|
| Charnière coulissante  | 9620012939   |
| Cadre de fixation avec cadre inférieur                                 |              |
| • NRX0035, NRX0050   | 9620012877   |
| • NRX0060  | 9620012881   |
| • NRX0080  | 9620012882   |
| • NRX0115  | 9620012878   |
| • NRX0130  | 9620012876   |
| Cadre de fixation avec cadre inférieur (noir)                          |              |
| • NRX0035, NRX0050   | 9620012874   |
| • NRX0060  | 9620012875   |
| • NRX0080  | 9620012880   |
| • NRX0115  | 9620012879   |
| • NRX0130  | 9620012883   |
| Étagère de remplacement lors du retrait du compartiment de congélation |              |
| • NRX0035, NRX0050   | 9620012933   |
| • NRX0060  | 9620012938   |
| • NRX0080  | 9620012935   |
| • NRX0115, NRX0130   | 9620012932   |

| Description                 | N° d'article                       |
|-----------------------------|------------------------------------|
| Compartiment de congélation |                                    |
| • NRX0035, NRX0050          | 9620012931                         |
| • NRX0060                   | 9620012936                         |
| • NRX0080                   | 9620012934                         |
| • NRX0115, NRX0130          | 9620012937                         |
| Adaptateur CA/CC            | 9620013449 (EU)<br>9620013450 (UK) |

## 6 Usage conforme

Le réfrigérateur est adapté à ce qui suit :

- Installation dans les caravanes, les camping-cars, les bateaux et les camions
- Réfrigération et stockage d'aliments
- **NRX0035-0130(C/S) uniquement** : Stockage d'aliments surgelés
- Utilisation à l'intérieur

Ce réfrigérateur n'est pas destiné à une utilisation commerciale, de vente au détail ou domestique.

Le réfrigérateur n'est **pas** conçu pour :

- Le stockage de médicaments
- Le stockage de substances corrosives ou contenant des solvants
- La surgélation d'aliments
- Utilisation en extérieur

Lorsque cet appareil est utilisé à bord d'un bateau, il doit être installé dans une salle de jour et non pas sur le pont extérieur.

Le compartiment de congélation convient pour le stockage des produits précongelés et pour le stockage ou la préparation de glaces et de glaçons. Il n'est pas adapté à la congélation d'aliments.

Le réfrigérateur est destiné à être installé dans un meuble ou une cavité dédiée.

Des performances de refroidissement optimales sont assurées à des températures ambiantes comprises entre 16 °C ... 43 °C et à une humidité maximale de 90 %.

Ce produit convient uniquement à l'usage et à l'application prévus, conformément au présent manuel d'instructions.

Ce manuel fournit les informations nécessaires à l'installation et/ou à l'utilisation correcte du produit. Une installation, une utilisation ou un entretien inappropriés entraînera des performances insatisfaisantes et une éventuelle défaillance.

Le fabricant décline toute responsabilité en cas de blessure ou de dommage résultant :

- d'une installation, d'un montage ou d'un raccordement incorrect, y compris d'une surtension
- d'un entretien inadéquat ou de l'utilisation de pièces de rechange autres que les pièces de rechange d'origine fournies par le fabricant
- de modifications apportées au produit sans autorisation explicite du fabricant

- d'usages différents de ceux décrits dans ce manuel

Dometic se réserve le droit de modifier l'apparence et les spécifications produit.

## 7 Description technique

Le réfrigérateur est un réfrigérateur à compresseur.

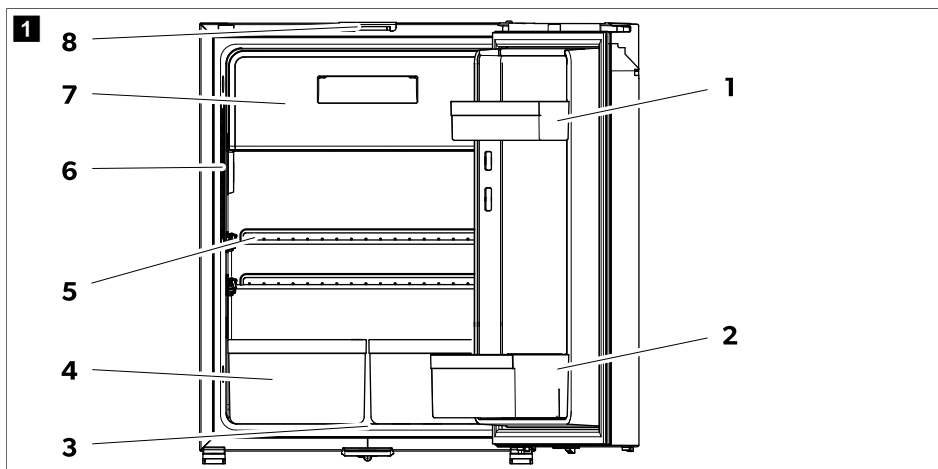
Le réfrigérateur est conçu pour fonctionner avec différents types d'alimentation et peut fonctionner sur une alimentation CC ou CA.

NRX0035-0130(C/S) : Le modèle est équipé en usine d'un compartiment de congélation amovible.

Le réfrigérateur dispose d'un mécanisme de verrouillage offrant une protection pendant le transport.

Tous les matériaux utilisés lors de la construction de la glacière n'altèrent pas la qualité des aliments.

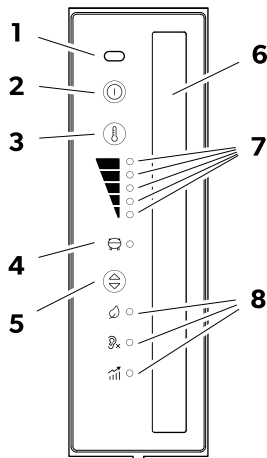
### Description de l'appareil



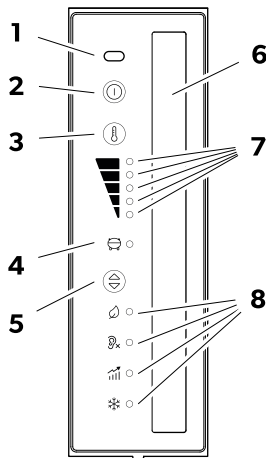
| N° | Explication  |
|----|--|
| 1  | Étagère de porte (NRX0035-0130[C/S], NRX0080-0130[E] uniquement) |
| 2  | Étagère pour bouteilles  |
| 3  | Bac de récupération des condensats                               |
| 4  | Bac à légumes (uniquement NRX0035-0130[C/S])                     |
| 5  | Clayette   |
| 6  | Panneau de commande avec écran                                   |
| 7  | Compartiment de congélation (uniquement NRX0035-0130[C/S])       |
| 8  | Loquet de porte pour la ventilation                              |


## Éléments de commande et d'affichage

## 2 NRX0035 – 0130 (E)



## NRX0035 – 0130 (C/S)



| N° | Explication  |
|----|--|
| 1  | Capteur infrarouge d'ouverture de porte  |
| 2  | Ⓞ Bouton MARCHE/ARRÊT  |
| 3  | Ⓜ Bouton de réglage du niveau de refroidissement   |
| 4  | Voyant LED d'état du compresseur et d'erreur   |
| 5  | Ⓢ Bouton de mode de fonctionnement   |
| 6  | Éclairage intérieur  |
| 7  | Voyants LED de niveau de refroidissement<br> <ul style="list-style-type: none"> <li>5 Niveau de refroidissement 5</li> <li>4 Niveau de refroidissement 4</li> <li>3 Niveau de refroidissement 3</li> <li>2 Niveau de refroidissement 2</li> <li>1 Niveau de refroidissement 1</li> </ul> |
| 8  | Voyants LED de mode de fonctionnement  |





## Voyant LED d'état du compresseur et d'erreur

Le voyant LED d'état du compresseur et d'erreur indique l'état de fonctionnement du compresseur ou une erreur :

| Couleur             | Description  |
|---------------------|--|
| Blanc               | Compresseur en marche                                |
| Orange              | Compresseur à l'arrêt                                |
| Orange (clignotant) | Erreur (voir le chapitre État d'erreur à la page 79) |

## Voyants LED de mode de fonctionnement

Les voyants LED de mode de fonctionnement affichent les options de réglage suivantes :

| Symbole   | Description   |
|---|---|
|  | Mode ECO :<br>Fonctionnement avec consommation d'énergie réduite.<br>Niveau de refroidissement 1 - 3  |
|  | Mode SILENCIEUX :<br>Fonctionnement avec niveau de bruit réduit.<br>Niveau de refroidissement 1 - 4   |
|  | Mode PERFORMANCE :<br>Niveau de refroidissement 1 - 5   |
|  | Mode CONGÉLATION (NRX0035-0130[C/S] uniquement):<br>Fonctionnement avec compartiment de congélation retiré. Refroidit tout l'intérieur du réfrigérateur à une température de $-6^{\circ}\text{C}$ . |

## 8 Utilisation

### 8.1 Avant la première utilisation

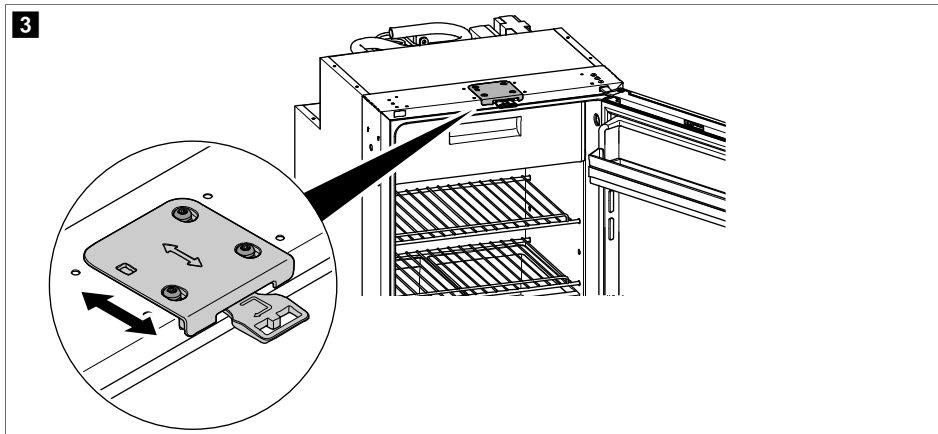


#### REMARQUE

- > Ne stockez pas d'aliments dans le réfrigérateur pendant les 4 premières heures suivant sa mise en service.
- > Lors de la première mise en service du réfrigérateur, il peut dégager une légère odeur, qui disparaîtra au bout de quelques heures. Aérez bien la pièce d'habitation.
- > La puissance frigorifique peut être affectée par :
  - la température ambiante (par ex. lorsque le véhicule est stationné en plein soleil)
  - la quantité d'aliments à refroidir
  - La fréquence d'ouverture de la porte.
- > Nettoyez l'intérieur du réfrigérateur pour des raisons d'hygiène (voir Nettoyage et entretien à la page 73).
- > Stationnez le véhicule sur une surface plane, surtout lors de la mise en service et du remplissage du réfrigérateur avant un trajet.

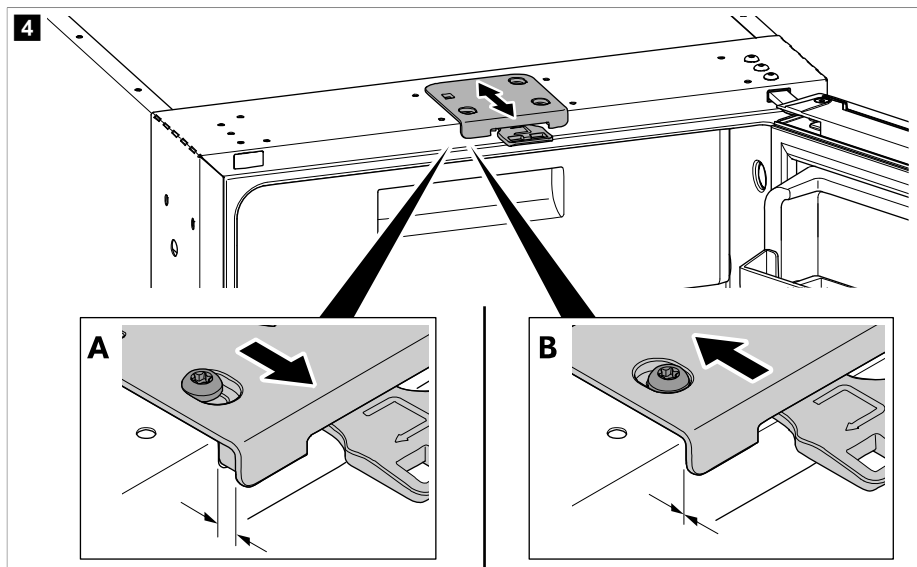
#### 8.1.1 Réglage du loquet de porte

Le loquet de porte situé sur le dessus du réfrigérateur peut être réglé pour réguler la largeur de fermeture de la porte.



**REMARQUE** Vérifiez si le loquet de porte réglable est installé. Si nécessaire, commandez le loquet de porte réglable (dometic.com) et remplacez le loquet de porte fixe par le loquet de porte réglable.

- > Le loquet de porte est réglé sur la position **A** en usine. Placez le loquet de porte en position **B**.



**REMARQUE** Si le loquet de porte est en position **B**, assurez-vous que la porte se verrouille correctement lors de la fermeture (voir chapitre Fermeture et sécurisation de la porte du réfrigérateur à la page 68).



## 8.2 Informations relatives au stockage des aliments



### ATTENTION ! Risque pour la santé

Si le réfrigérateur est exposé à une température ambiante inférieure à 10 °C pendant une période prolongée, la régulation de la température du compartiment de congélation ne peut plus être garantie. Cela peut entraîner une augmentation de la température du compartiment de congélation et la décongélation des produits stockés.

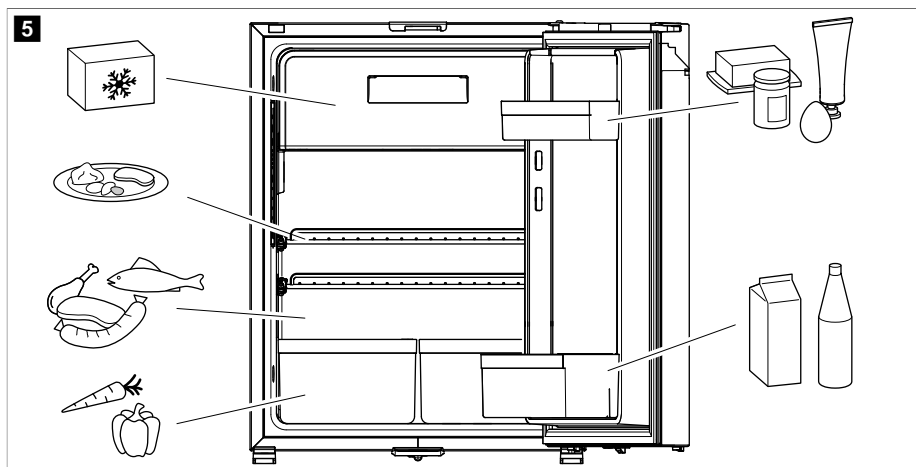


### AVIS ! Risque d'endommagement

- > Respectez la charge maximale par étagère de porte et par porte lors du remplissage du réfrigérateur (voir Données techniques à la page 80).
- > Ne conservez pas de boissons gazeuses dans le compartiment de congélation.

Pour éviter de gâcher des aliments, notez les éléments suivants :

- Évitez autant que possible les variations de température. Ouvrez le réfrigérateur uniquement lorsque c'est nécessaire et le moins longtemps possible. Entrez les denrées alimentaires de sorte que l'air puisse circuler librement entre elles.
  - Ajustez la température en fonction de la quantité et de la nature des denrées alimentaires.
  - Entrez les divers types de denrées alimentaires comme indiqué sur les figures.
  - Les denrées alimentaires peuvent facilement absorber ou dégager des odeurs. Entrez toujours les denrées alimentaires dans des conteneurs/bouteilles couverts ou fermés.
- > Stockez les aliments comme indiqué.



## 8.3 Économie d'énergie

- Ouvrez le réfrigérateur uniquement lorsque c'est nécessaire et le moins longtemps possible.
- Laissez refroidir les aliments chauds avant de les placer dans l'appareil.
- Dégivrez le réfrigérateur dès qu'une couche de glace s'est formée.
- Évitez une température intérieure inutilement basse.
- Pour une consommation d'énergie optimale, positionnez les clayettes et les tiroirs conformément à leur position à la livraison.
- Vérifiez régulièrement que le joint de la porte est correctement positionné.

- Nettoyez régulièrement le condenseur pour enlever la poussière et les salissures.

## 8.4 Utilisation de la porte du réfrigérateur



### ATTENTION ! Risque de blessure

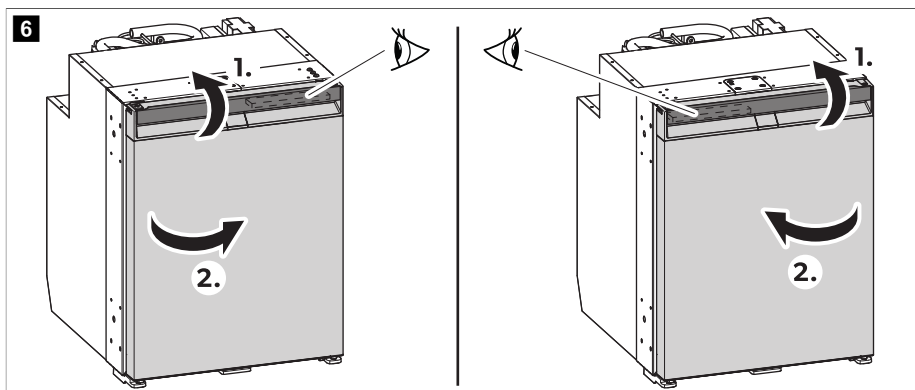
La porte du réfrigérateur et la porte du compartiment congélation peuvent se détacher de l'appareil si elles ne sont pas utilisées correctement.

### 8.4.1 Ouverture de la porte du réfrigérateur



**REMARQUE** Veillez à tirer la poignée du côté opposé à la butée de porte. Observez la position du patin. Reportez-vous au manuel d'installation associé.

- > Pour ouvrir la porte du réfrigérateur, procédez comme indiqué.



### 8.4.2 Fermeture et sécurisation de la porte du réfrigérateur



### ATTENTION ! Risque de blessure

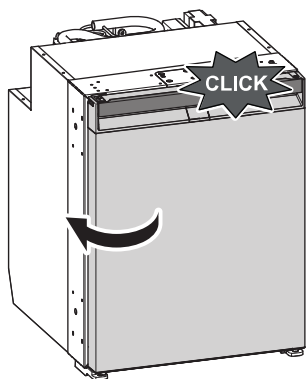
Si la porte n'est pas verrouillée correctement, appuyez doucement sur les parties supérieure et inférieure de la porte jusqu'à ce qu'elle se verrouille en place.



**REMARQUE** La porte du réfrigérateur est dotée d'un mécanisme de verrouillage permettant également de la protéger pendant le transport.

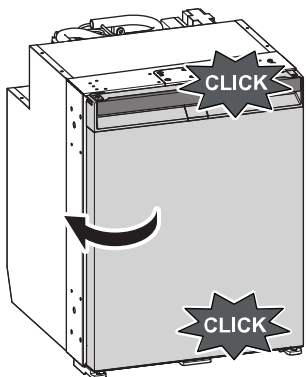
- > NRX0035–0130(E): Fermez la porte en la poussant jusqu'à ce que vous entendiez un clic distinct sur sa partie supérieure.

### 7 NRX0035 – 0130 (E)



- > NRX0035–0130(C/S): Appuyez sur la porte pour la fermer, jusqu'à ce que vous entendiez un clic distinct sur ses parties supérieure et inférieure.

### 8 NRX0035 – 0130 (C/S)





- ✓ La porte est maintenant fermée et verrouillée.

## 8.5 Mise en marche et arrêt



**REMARQUE** Éteignez toujours le réfrigérateur s'il ne va pas être utilisé pendant une période prolongée.

- > Pour allumer l'appareil, maintenez le bouton  enfoncé pendant au moins 2 s.
- ✓ Le réfrigérateur s'allume avec le dernier réglage de niveau de refroidissement et le dernier mode de fonctionnement sélectionnés.
- > Pour éteindre l'appareil, maintenez le bouton  enfoncé pendant au moins 2 s.

## 8.6 Réglage des modes de fonctionnement



**REMARQUE** Lors de l'utilisation des modes ECO, PERFORMANCE ou CONGÉLATEUR, le système reste dans ce mode jusqu'au prochain changement.

- > Pour régler le mode de fonctionnement, appuyez plusieurs fois sur le bouton  jusqu'à ce que le voyant LED du mode de fonctionnement souhaité s'allume.

Les modes de fonctionnement suivants sont disponibles :

### Utilisation du mode ECO

Lorsque le mode ECO est activé, le réfrigérateur fonctionne avec une consommation d'énergie réduite aux niveaux de refroidissement 1 – 3.

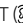
- ✓ Le voyant LED du mode ECO  et du niveau de refroidissement sélectionné s'allument.

### Utilisation du mode SILENCIEUX

Lorsque le mode SILENCIEUX est activé, le réfrigérateur fonctionne avec un niveau de bruit réduit aux niveaux de refroidissement 1 – 4.

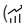


#### REMARQUE

- > Le mode SILENCIEUX n'est pas disponible si le réfrigérateur fonctionne en mode CONGÉLATEUR.
- > Lorsque vous utilisez le mode SILENCIEUX, le réfrigérateur reste dans ce mode pendant 8 h, puis revient au mode précédemment sélectionné (mode ECO ou PERFORMANCE).
- ✓ Le voyant LED du mode QUIET  et du niveau de refroidissement sélectionné s'allument.

### Utilisation du mode PERFORMANCE

Lorsque le mode PERFORMANCE est activé, le réfrigérateur fonctionne en mode standard aux niveaux de refroidissement 1 – 5.


- ✓ Le voyant LED du mode PERFORMANCE  et du niveau de refroidissement sélectionné s'allument.

### Utilisation du mode CONGÉLATEUR


Lorsque le mode CONGÉLATEUR est activé, l'intérieur complet du réfrigérateur est refroidi à  $-6^{\circ}\text{C}$ .



**REMARQUE** Retirez le compartiment de congélation pour utiliser le mode CONGÉLATEUR.

- ✓ Le voyant LED du mode CONGÉLATEUR  et tous les voyants LED de niveau de refroidissement s'allument en continu.

## 8.7 Réglage du niveau de refroidissement

- > Pour régler le niveau de refroidissement, appuyez plusieurs fois sur le bouton  jusqu'à ce que le niveau de refroidissement souhaité soit atteint.

## 8.8 Repositionnement des clayettes



### AVERTISSEMENT ! Risque d'enfermement d'enfant

NRX0060-0130: Toutes les clayettes sont fixées afin que des enfants ne puissent pas monter dans le réfrigérateur.

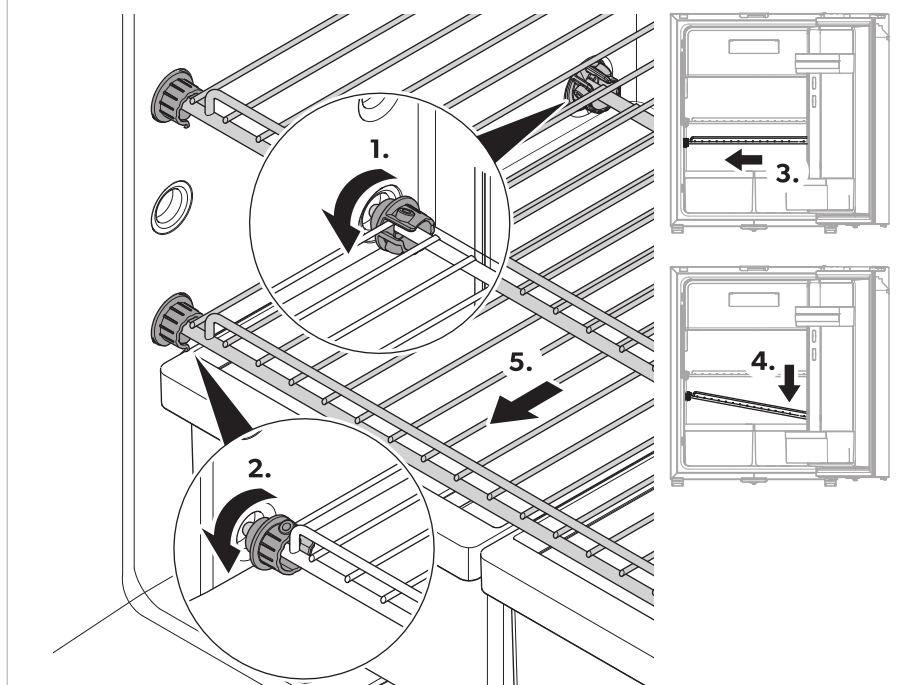
- > Retirez les clayettes uniquement pour le nettoyage.
- > Réinstallez et verrouillez les clayettes.



**REMARQUE** Retirez le compartiment congélation avant de repositionner les clayettes afin de faciliter l'accès aux supports de clayette arrière.

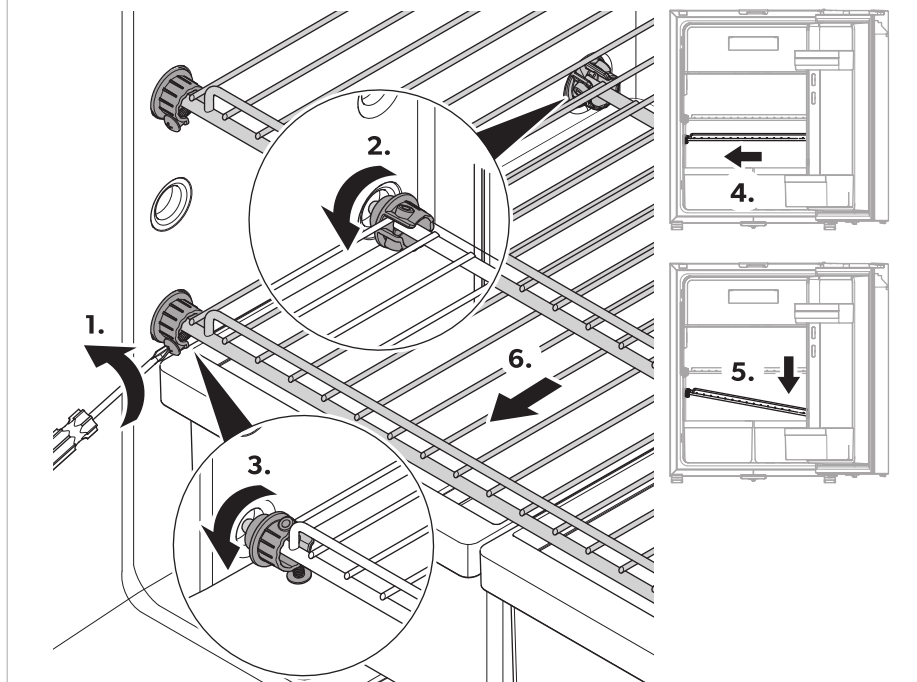
- > **NRX0035-0050** : pour repositionner les clayettes comme souhaité, procédez comme indiqué.

### 9 NRX0035 – 0050



- > **NRX0035-0050** : Pour repositionner les clayettes comme souhaité, procédez comme indiqué.

## 10 NRX0060 – 0130



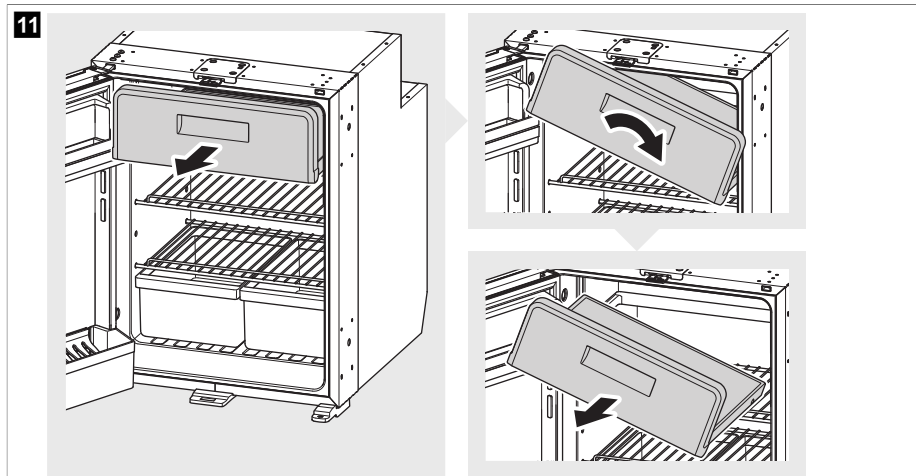
### 8.9 Retrait du compartiment de congélation



#### AVIS ! Risque d'endommagement

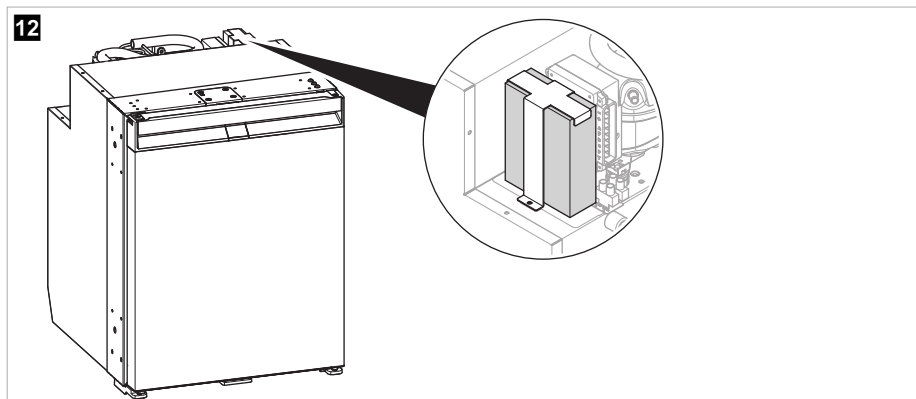
- > Fermez la porte du compartiment de congélation pour le retirer.
- > Saisissez le compartiment de congélation par le bas. Ne tirez pas sur la porte du compartiment de congélation.
- > Stockez le compartiment de congélation dans un endroit sec et sûr.

- > Pour retirer le compartiment de congélation, procédez comme indiqué.



## 8.10 Installation de l'adaptateur CA/CC

- > Pour installer l'adaptateur CA/CC (accessoire), procédez comme indiqué.



## 9 Nettoyage et entretien



### AVERTISSEMENT ! Risque d'électrocution

Débranchez toujours le réfrigérateur de la source d'alimentation avant toute opération de nettoyage ou d'entretien.



### AVIS ! Risque d'endommagement

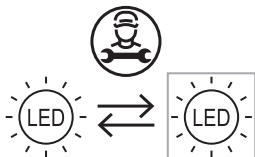
> N'utilisez pas de produits abrasifs ou d'objets durs pendant le nettoyage.

- > N'utilisez jamais d'outils durs ou pointus pour enlever les couches de glace ou pour détacher des objets givrés.
- > Veillez à ce que de l'eau ne goutte pas sur les joints. Cela risque d'endommager les composants électroniques.



#### **AVIS ! Risque d'endommagement**

La source d'éclairage doit uniquement être remplacée par le fabricant, un agent de service ou toute autre personne de qualification similaire afin d'éviter tout danger.



- > Nettoyez régulièrement l'intérieur et l'extérieur du réfrigérateur avec un chiffon humide et dès qu'il est sale. Essuyez l'appareil avec un chiffon après l'avoir nettoyé.
- > Vérifiez régulièrement l'évacuation de la condensation.  
Nettoyez l'évacuation de la condensation si nécessaire. Si elle est obstruée, la condensation s'accumule en bas du réfrigérateur.
- > Nettoyez régulièrement la poussière et la saleté du condenseur avec un chiffon humide.

### **Circuit frigorifique**

Le circuit frigorifique est sans entretien.

### **Dégivrage du réfrigérateur**



#### **AVIS ! Risque d'endommagement**

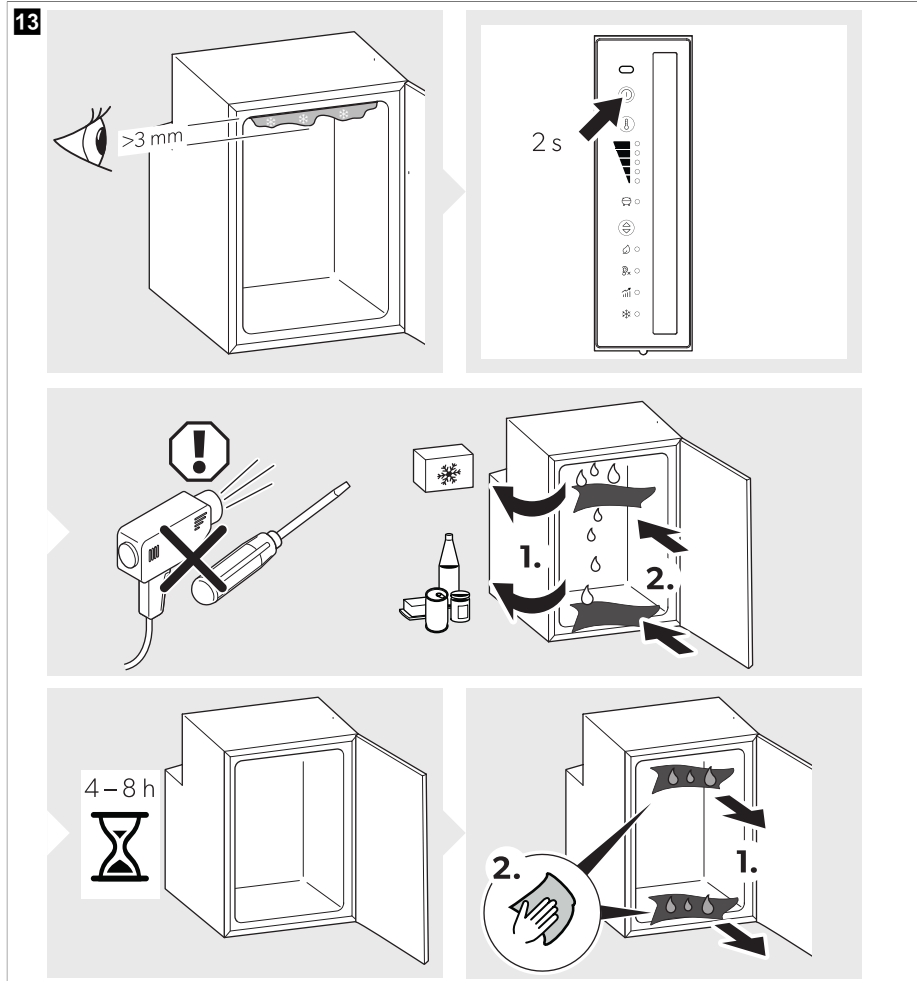
N'utilisez aucun moyen mécanique ou autre pour accélérer la procédure de dégivrage.



**REMARQUE** Au fil du temps, du givre se forme sur la paroi arrière à l'intérieur du réfrigérateur. Lorsque cette couche de givre atteint environ 3 mm, dégivrez le réfrigérateur.



> Pour dégivrer le réfrigérateur, procédez comme indiqué.



### Placement de la porte du réfrigérateur en position de stockage



#### **ATTENTION ! Risque de blessure**

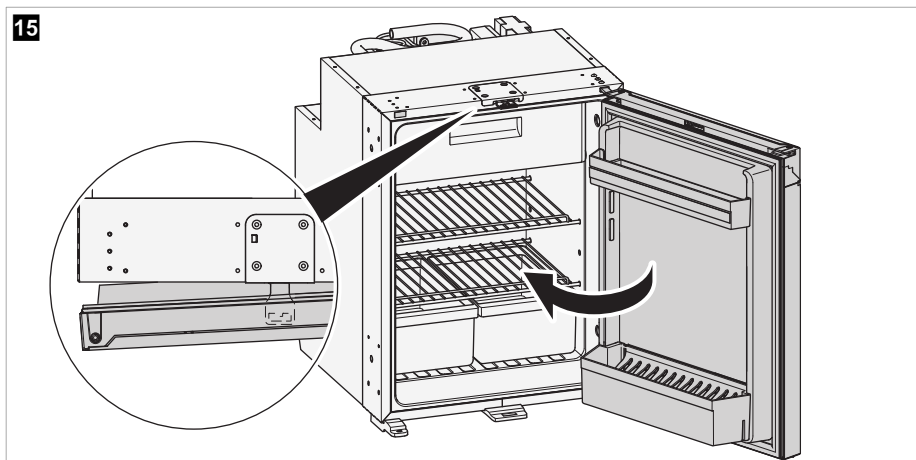
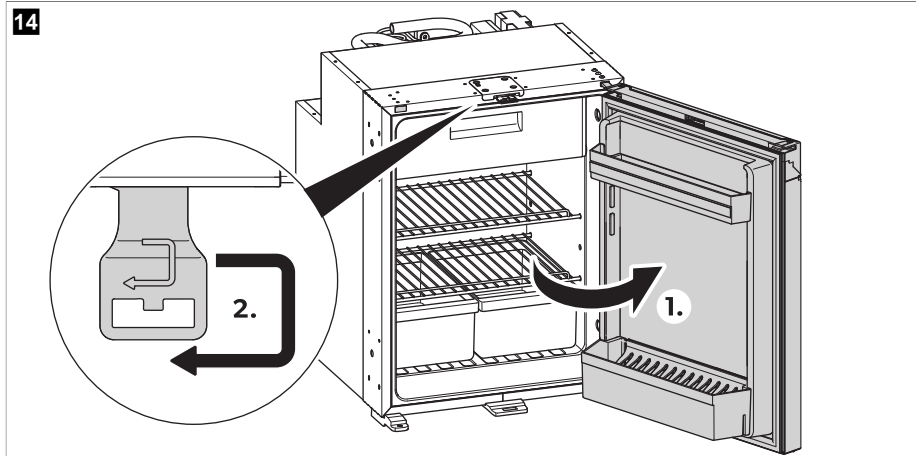
La position de stockage ne doit pas être positionnée pendant la conduite.



**REMARQUE** Placez la porte du réfrigérateur en position de stockage si vous prévoyez de ne pas l'utiliser pendant une période prolongée. Cela évite la formation de moisissures.

> Dégivrez le réfrigérateur (voir Dégivrage du réfrigérateur à la page 74).

> Placez la porte du réfrigérateur en position de stockage comme illustré.

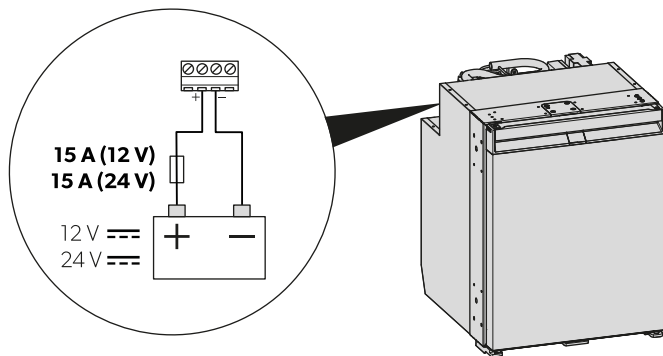



## 10 Dépannage



**REMARQUE** Pour utiliser en toute sécurité les appareils 12 V dans la caravane en cours de trajet, veillez à ce que le véhicule de remorquage fournisse une tension suffisante. Sur certains véhicules, le système de gestion de batterie peut éteindre automatiquement les appareils pour protéger la batterie. Renseignez-vous à ce sujet auprès du fabricant de votre véhicule.

16



| Panne   | Cause possible   | Solution proposée  |
|---|--|--|
| Le réfrigérateur ne fonctionne pas.   | Le fusible du câble CC est défectueux.   | > Changez le fusible (  fig. 16 à la page 77).  |
|   | Le fusible du véhicule a grillé.   | > Remplacez le fusible du véhicule. Reportez-vous au manuel d'utilisation de votre véhicule.   |
|   | La batterie du véhicule est déchargée.   | > Testez la batterie du véhicule et rechargez-la.  |
|   | Le contact n'est pas mis.  | > Mettez le contact.   |
|   | La température du compresseur est trop basse (< 0 °C).   | > Fermez/couvrez complètement toutes les grilles de ventilation extérieure avec un matériau isolant.   |
|   | Le réfrigérateur s'éteint automatiquement si la tension est insuffisante.<br>(Tension d'arrêt : 10,4 V $\Rightarrow$ ) | > Chargez la batterie. Le réfrigérateur redémarre automatiquement.<br>(Tension de démarrage : 11,7 V $\Rightarrow$ )   |
| Refroidissement insuffisant, augmentation de la température intérieure. Le compresseur fonctionne en continu. | La ventilation autour du groupe frigorifique est insuffisante.   | > Vérifiez que la grille d'aération n'est pas obstruée.<br>> Déplacez le réfrigérateur vers un autre endroit.  |
|   | Les parois intérieures sont givrées.   | > Vérifiez si la porte du réfrigérateur ferme correctement.<br>> Assurez-vous que le joint du réfrigérateur est installé correctement et n'est pas endommagé.<br>> Dégivrez le réfrigérateur (voir Dégivrage du réfrigérateur à la page 74). |
|   | Le réglage de la température est trop élevé.   | > Réglez une température plus basse.   |
|   | La température ambiante est trop élevée.   | > Retirez temporairement la grille d'aération afin que l'air chaud soit évacué plus rapidement.  |
|   | Le réfrigérateur contient un trop grand nombre d'aliments.   | > Retirez quelques aliments.   |

| Panne   | Cause possible  | Solution proposée  |
|---|---|--|
|   | Le réfrigérateur contient un trop grand nombre d'aliments chauds.                             | > Retirez les aliments chauds et laissez-les refroidir avant de les stocker.         |
|   | Le réfrigérateur n'a pas fonctionné depuis longtemps.   | > Vérifiez à nouveau la température au bout de 4 h / 5 h .                           |
|   | Le condenseur est sale.   | > Nettoyez le condenseur (voir chapitre <i>Nettoyage et entretien</i> à la page 73). |
|   | Le ventilateur est défectueux.  | > Contacter un agent de service agréé.   |
| Refroidissement insuffisant, augmentation de la température intérieure.<br><br>Le compresseur ne fonctionne pas souvent.                                | La batterie est déchargée.  | > Chargez la batterie.   |
| Refroidissement insuffisant, augmentation de la température intérieure.<br><br>Le compresseur ne fonctionne pas (raccordement sur batterie).            | Interruption de la ligne de raccordement entre la batterie et l'électrique.                   | > Établissez une connexion.  |
|   | L'interrupteur principal est défectueux (le cas échéant).                                     | > Changez le commutateur principal.  |
|   | Le fusible supplémentaire de la ligne est grillé (le cas échéant).                            | > Changez le fusible de la ligne.  |
|   | La tension de la batterie est trop faible.  | > Chargez la batterie.   |
|   | La capacité de la batterie est trop faible.   | > Remplacez la batterie.   |
|   | Les câbles sont desserrés.<br>Le contact est incorrect (corrosion).                           | > Établissez une connexion.  |
|   | La section du câble est trop faible.  | > Remplacez le câble.  |
| Refroidissement insuffisant, augmentation de la température intérieure.<br><br>Le compresseur ne fonctionne pas (raccordement sur tension alternative). | Le compresseur est défectueux.  | > Contacter un agent de service agréé.   |
|   | La connexion de la ligne d'alimentation est interrompue.                                      | > Établissez une connexion.  |
|   | L'interrupteur principal est défectueux (le cas échéant).                                     | > Changez le commutateur principal.  |
|   | Le fusible supplémentaire de la ligne est grillé (le cas échéant).                            | > Changez le fusible de la ligne.  |
| Bruits inhabituels.   | Le compresseur est défectueux.  | > Contacter un agent de service agréé.   |
|   | Les mouvements d'un élément du circuit frigorifique sont bloqués (l'élément touche la paroi). | > Redressez l'élément avec précaution.   |
|   | Un corps étranger est coincé entre l'unité de réfrigération et la paroi.                      | > Retirez le corps étranger.   |
|   | Le ventilateur fait du bruit.   | > Contacter un agent de service agréé.   |

| Panne  | Cause possible   | Solution proposée  |
|--|--|--|
| La porte s'ouvre involontairement lors d'un déplacement (par exemple pendant la conduite). | Le loquet de porte est réglé sur la position <b>A</b> (voir chapitre Réglage du loquet de porte à la page 65).   | > Placez le loquet de porte en position <b>B</b> .                           |
| La porte ne ferme pas bien.  | Le loquet de porte est réglé sur la position <b>A</b> (voir chapitre Réglage du loquet de porte à la page 65).   | > Placez le loquet de porte en position <b>B</b> .                           |
|  | Le loquet de porte est réglé sur la position <b>B</b> (voir chapitre Réglage du loquet de porte à la page 65), mais la porte n'est pas correctement verrouillée. | > Assurez-vous que la porte se verrouille correctement lors de la fermeture. |

## État d'erreur



### REMARQUE

- > Toutes les erreurs sont indiquées par le voyant LED d'erreur clignotant en orange (voir Éléments de commande et d'affichage à la page 64). Le nombre de clignotements dépend du type de défaut. Chaque clignotement dure un quart de seconde. Une pause suit la séquence de clignotements. La séquence correspondant au défaut est répétée toutes les quatre secondes.
- > En mode ECO, PERFORMANCE et CONGÉLATEUR, un bip supplémentaire retentit.

| Fréquence de clignotement | Error                                  | Cause possible   |
|---------------------------|--|--|
| 1                         | Sous-tension ou surtension             | La tension d'alimentation se trouve en dehors de la plage réglée.  |
| 2                         | Surintensité du ventilateur            | La charge du ventilateur sur l'unité électronique est supérieure à 1 A.  |
| 3                         | Le moteur ne démarre pas               | Le rotor est coincé.   |
|                           |  | Le différentiel de pression dans le système de refroidissement est trop élevé.   |
| 4                         | Vitesse de rotation trop faible        | Si le système de refroidissement est surchargé, la vitesse minimale du moteur ne peut être maintenue.                              |
| 5                         | Surtempérature de l'unité électronique | Si le système frigorifique est trop sollicité ou atteint une température trop élevée, les composants électroniques chauffent trop. |
| Permanent                 | Erreurs de capteur de température      | Le capteur de température est défectueux.  |

## 11 Garantie

La période de garantie légale s'applique. Si le produit s'avérait défectueux, contactez la succursale du fabricant située dans votre pays (voir [dometic.com/dealer](http://dometic.com/dealer)) ou votre revendeur.

Pour toutes réparations ou autres prestations de garantie, veuillez joindre à l'appareil les documents suivants :

- une copie de la facture avec la date d'achat
- un motif de réclamation ou une description du dysfonctionnement

Notez que toute réparation effectuée par une personne non agréée peut présenter un risque de sécurité et annuler la garantie.

## 12 Mise au rebut



### AVIS ! Risque d'endommagement

L'isolation du dispositif de réfrigération contient des gaz inflammables et nécessite des procédures d'élimination spéciales. À la fin de son cycle de vie, remettez le dispositif de réfrigération à un centre de recyclage approprié.



Dans la mesure du possible, veuillez éliminer les emballages dans les conteneurs de déchets recyclables prévus à cet effet. Pour éliminer définitivement le produit, contactez le centre de recyclage le plus proche ou votre revendeur spécialisé afin de vous informer sur les dispositions relatives au retraitement des déchets. Europe : Le produit peut être mis au rebut gratuitement.

## 13 Données techniques

Pour consulter la déclaration de conformité UE actuelle liée à votre appareil, reportez-vous à la page produit correspondante sur [dometic.com](http://dometic.com) ou contactez directement le fabricant (voir [dometic.com/dealer](http://dometic.com/dealer)).

Cet appareil est conforme au règlement R10 de la CEE ONU.

|  | NRX0035(E/C/S) | NRX0050(E/C/S) | NRX0060(E/C/S) |
|--|----------------|----------------|----------------|
| Capacité   |                |                |                |
| • Compartiment de réfrigération (NRX0035-0130[C/S] uniquement) | 27,3 L         | 39,6 L         | 48,9 L         |
| • Compartiment de congélation (NRX0035-0130[C/S] uniquement)   | 4,4 L          | 4,4 L          | 6,1 L          |
| • Capacité totale  | 32 L           | 44 L           | 55 L           |
| • Capacité totale (compartiment de congélation retiré)         | 34 L           | 46 L           | 58 L           |
| Tension de raccordement  |                | 12 / 24 V==    |                |
| Protection de la batterie d'alimentation ( 12 V )              |                |                |                |
| • Tension d'arrêt  |                | 10,4 V         |                |
| • Tension de remise en marche                                  |                | 11,7 V         |                |
| Protection de la batterie d'alimentation ( 24 V )              |                |                |                |
| • Tension d'arrêt  |                | 22,8 V         |                |
| • Tension de remise en marche                                  |                | 24,2 V         |                |
| Classe climatique  |                | T              |                |
| Plage de températures de stockage :                            |                |                |                |

|   | NRX0035(E/C/S)   | NRX0050(E/C/S)                              | NRX0060(E/C/S)                  |
|---|--|---|---------------------------------|
| <ul style="list-style-type: none"> <li>Réfrigérateur</li> <li>Compartiment de congélation (NRX0035-0130[C/S] uniquement)</li> <li>Mode congélation (NRX0035-0130[C/S] seulement)</li> </ul> |  | 0 °C ... 12 °C<br>-15 °C ... -5 °C<br>-6 °C |                                 |
| Utilisation prévue à température ambiante   |  | 16 °C ... 43 °C                             |                                 |
| Fluide frigorigène  |  | R134a                                       |                                 |
| Quantité de fluide frigorigène  | 24 g   | 26 g  | 30 g                            |
| Équivalent CO2  | 0,034 t  | 0,037 t                                     | 0,043 t                         |
| Potentiel de réchauffement global (GWP)   |  | 1430  |                                 |
| Émissions sonores (EN 60704)  |  | 40 ... 45 dB(A)                             |                                 |
| Dimensions H x l x P  | 525 × 380 × 355 mm<br>(sans compresseur ni entretoise)<br>525 mm × 380 mm × 480 mm<br>(avec compresseur et entretoise) | 525 mm × 380 mm × 510 mm                    | 525 mm × 448 mm × 537 mm        |
| Poids net   | E : 13,5 kg<br>C, S : 16 kg  | E : 14,5 kg<br>C, S : 17 kg                 | E : 16 kg<br>C, S : 17 kg       |
| Charge maximale   |  |   |                                 |
| <ul style="list-style-type: none"> <li>Par étagère de porte</li> <li>Par porte</li> </ul>   | 4 kg<br>E : 4 kg<br>C/S : 8 kg   | 4 kg<br>E : 4 kg<br>C/S : 8 kg              | 5 kg<br>E : 5 kg<br>C/S : 10 kg |
|   | NRX0080(E/C/S)   | NRX0115(E/C/S)                              | NRX0130(E/C/S)                  |
| Capacité  |  |   |                                 |
| <ul style="list-style-type: none"> <li>Compartiment réfrigérateur (NRX0035 - 0130[C/S] uniquement)</li> <li>Compartiment congélation (NRX0035 - 0130[C/S] uniquement)</li> </ul>            | 68,4 L<br>6,6 L  | 104,5 L<br>8,2 L                            | 118 L<br>8,2 L                  |
| <ul style="list-style-type: none"> <li>Capacité totale</li> <li>Capacité totale (compartiment de congélation retiré)</li> </ul>   | 75 L<br>78 L   | 113 L<br>116 L                              | 126 L<br>130 L                  |

|  | NRX0080(E/C/S)            | NRX0115(E/C/S)            | NRX0130(E/C/S)            |
|--|---------------------------|---------------------------|---------------------------|
| Tension de raccordement                                  | 12 / 24 V---              |                           |                           |
| Protection de la batterie d'alimentation (12 V)          |                           |                           |                           |
| • Tension d'arrêt  | 10,4 V                    |                           |                           |
| • Tension de remise en marche                            | 11,7 V                    |                           |                           |
| Protection de la batterie d'alimentation (24 V)          |                           |                           |                           |
| • Tension d'arrêt  | 22,8 V                    |                           |                           |
| • Tension de remise en marche                            | 24,2 V                    |                           |                           |
| Classe climatique  | T                         |                           |                           |
| Plage de température de stockage                         |                           |                           |                           |
| • Réfrigérateur  | 0 °C ... 12 °C            |                           |                           |
| • Compartiment congélation(NRX0035-0130[C/S] uniquement) | -15 °C ... -5 °C          |                           |                           |
| • Mode de congélation (NRX0035-0130C/S uniquement)       | -6 °C                     |                           |                           |
| Utilisation prévue à température ambiante                | 16 °C ... 43 °C           |                           |                           |
| Fluide frigorigène                                       | R134a                     |                           |                           |
| Quantité de fluide frigorigène                           | 32 g                      | 40 g                      | 40 g                      |
| Équivalent CO2   | 0,046 t                   | 0,057 t                   | 0,057 t                   |
| Potentiel de réchauffement global (GWP)                  | 1430                      |                           |                           |
| Émissions sonores (EN 60704)                             | 40 ... 45 dB(A)           |                           |                           |
| Dimensions H x l x P                                     | 625 × 475 × 537 mm        | 745 × 525 × 568 mm        | 812 × 525 × 568 mm        |
| Poids net  | C, S : 20 kg<br>E : 18 kg | C, S : 26 kg<br>E : 24 kg | C, S : 27 kg<br>E : 25 kg |
| Charge maximale  |                           |                           |                           |
| • Par étagère de porte                                   | 5 kg                      | 6 kg                      | 6 kg                      |
| • Par porte  | 10 kg                     | E : 12 kg<br>C/S : 18 kg  | E : 12 kg<br>C/S : 18 kg  |



## 14 Données techniques

Pour consulter la déclaration de conformité UE actuelle liée à votre appareil, reportez-vous à la page produit correspondante sur [dometic.com](http://dometic.com) ou contactez directement le fabricant (voir [dometic.com/dealer](http://dometic.com/dealer)).

Cet appareil est conforme au règlement R10 de la CEE ONU.

|  | <b>NRX0090V</b>          |
|--|--------------------------|
| Capacité   |                          |
| • Compartiment réfrigérateur                           | 79 L                     |
| • Compartiment de congélation                          | 8,4 L                    |
| • Capacité totale                                      | 87 L                     |
| • Capacité totale (compartiment de congélation retiré) | 92 L                     |
| Tension de raccordement                                | 12 / 24 V <sup>==</sup>  |
| Protection de la batterie d'alimentation (12 V)        |                          |
| • Tension d'arrêt                                      | 10,4 V                   |
| • Tension de remise en marche                          | 11,7 V                   |
| Protection de la batterie d'alimentation (24 V)        |                          |
| • Tension d'arrêt                                      | 22,8 V                   |
| • Tension de remise en marche                          | 24,2 V                   |
| Consommation d'énergie                                 | 0,35 kWh / 24 h          |
| Classe climatique                                      | T                        |
| Plage de température de stockage                       |                          |
| • Réfrigérateur  | 0 °C ... 15 °C           |
| • Compartiment de congélation                          | -12 °C ... -5 °C         |
| • Mode Congélateur                                     | -5 °C ± 2 °C             |
| Utilisation prévue à température ambiante              | 16 °C ... 43 °C          |
| Fluide frigorigène                                     | R600a                    |
| Quantité de fluide frigorigène                         | 22 g                     |
| Équivalent CO <sub>2</sub>                             | 0,000 t                  |
| Potentiel de réchauffement global (GWP)                | 3                        |
| Émissions sonores (EN60704)                            |                          |
| • Mode PERFORMANCE                                     | < 40 dB(A)               |
| • Mode SILENCIEUX                                      | 37 dB(A)                 |
| Dimensions H x l x P                                   | 821 mm × 486 mm × 480 mm |
| Poids net  | 22 kg                    |

## Español

|    |                                  |     |
|----|----------------------------------|-----|
| 1  | Notas importantes.....           | 84  |
| 2  | Explicación de los símbolos..... | 84  |
| 3  | Indicaciones de seguridad.....   | 85  |
| 4  | Volumen de entrega.....          | 88  |
| 5  | Accesorios.....                  | 88  |
| 6  | Uso previsto.....                | 89  |
| 7  | Descripción técnica.....         | 90  |
| 8  | Funcionamiento.....              | 92  |
| 9  | Limpieza y mantenimiento.....    | 100 |
| 10 | Solución de problemas.....       | 103 |
| 11 | Garantía.....                    | 106 |
| 12 | Eliminación.....                 | 107 |
| 13 | Datos técnicos.....              | 107 |
| 14 | Datos técnicos.....              | 109 |

## 1 Notas importantes

Lea atentamente estas instrucciones y siga las indicaciones, directrices y advertencias incluidas en este manual para asegurarse de que instala, utiliza y mantiene correctamente el producto en todo momento. Estas instrucciones DEBEN conservarse junto con este producto.

Al utilizar el producto, usted confirma que ha leído cuidadosamente todas las instrucciones, directrices y advertencias, y que entiende y acepta cumplir los términos y condiciones aquí establecidos. Usted se compromete a utilizar este producto solo para el propósito y la aplicación previstos y de acuerdo con las instrucciones, directrices y advertencias establecidas en este manual del producto, así como de acuerdo con todas las leyes y reglamentos aplicables. La no lectura y observación de las instrucciones y advertencias aquí expuestas puede causarle lesiones a usted o a terceros, daños en el producto o daños en otras propiedades cercanas. Este manual del producto, incluyendo las instrucciones, directrices y advertencias, y la documentación relacionada, pueden estar sujetos a cambios y actualizaciones. Para obtener información actualizada sobre el producto, visite [documents.dometic.com](http://documents.dometic.com).

## 2 Explicación de los símbolos

Una palabra de advertencia señalará los mensajes de seguridad y de daño material, y también indicará el grado o nivel de gravedad del riesgo.



### ¡PELIGRO!

Indica una situación peligrosa que, de no evitarse, ocasionará la muerte o lesiones graves.



### ¡ADVERTENCIA!

Indica una situación peligrosa que, de no evitarse, puede ocasionar la muerte o lesiones graves.



### ¡ATENCIÓN!

Indica una situación peligrosa que, de no evitarse, puede ocasionar lesiones moderadas o leves.



### ¡AVISO!

Indica una situación peligrosa que, de no evitarse, puede provocar daños materiales.



**NOTA** Información adicional para el manejo del producto.

## 3 Indicaciones de seguridad

### Seguridad general



#### ¡ADVERTENCIA! Riesgo de electrocución

- > Únicamente personal cualificado podrá realizar la instalación y la retirada de la nevera.
- > La instalación en recintos húmedos y zonas expuestas al agua deberá realizarla exclusivamente un técnico especializado.
- > Si instala la nevera bajo una carpa o similares, asegúrese de que esté protegida de la lluvia y las salpicaduras de agua.
- > No ponga la nevera en funcionamiento si presenta desperfectos visibles.
- > Solo personal cualificado está autorizado a realizar reparaciones en la nevera. Las reparaciones que se realicen incorrectamente pueden dar lugar a situaciones de considerable peligro o pueden producir daños considerables en la nevera.
- > Si se daña el cable de conexión de esta nevera, el fabricante, su servicio de atención al cliente o una persona cualificada debe reemplazarlo para evitar así posibles peligros.
- > Cuando ubique la nevera, asegúrese de que el cable de suministro eléctrico no quede atrapado ni resulte dañado.
- > No coloque tomas múltiples de corriente portátiles ni fuentes de alimentación portátiles detrás de la nevera.
- > No toque los cables sin aislamiento directamente con las manos.
- > Conecte el aparato a enchufes que garanticen una conexión correcta, sobre todo cuando el aparato requiera una toma de tierra.
- > En caso de funcionamiento conectado a la red eléctrica, asegúrese de que el suministro de energía eléctrica esté protegido con un interruptor diferencial (RCCB) o con un interruptor de falla a tierra (GFCI). La instalación debe efectuarse en conformidad con todas las normas de instalación aplicables, especialmente en áreas potencialmente húmedas.



#### ¡ADVERTENCIA! Peligro de incendio

- > El circuito de refrigeración contiene una pequeña cantidad de refrigerante no contaminante pero . No daña la capa de ozono ni aumenta el efecto invernadero. Toda fuga de refrigerante puede incendiarse.
- > No utilice ni almacene la nevera en espacios cerrados en los que no haya circulación de aire o solo muy poca.
- > Mantenga el hueco de instalación de la nevera libre de cualquier componente eléctrico y fuentes de luz que produzcan chispas o arcos voltaicos, ya sea durante un funcionamiento normal o anormal (por ejemplo, relés o cajas de fusibles).
- > El aislamiento de la nevera contiene ciclopentano y requiere una gestión de residuos especial. Deposite la nevera en un centro de reciclaje adecuado al finalizar su vida útil.



#### ¡ADVERTENCIA! Peligro de explosión

No guarde en la nevera sustancias explosivas, tales como latas de aerosol con gases propelentes.



#### ¡ADVERTENCIA! Riesgo para la salud

- > Esta nevera puede ser utilizada por menores a partir de 8 años y personas con capacidad física, sensorial o mental reducida, o con falta de experiencia y conocimientos, siempre que lo hagan bajo supervisión o hayan recibido instrucciones relativas al uso de la misma de manera segura y entendiendo los riesgos asociados.
- > Los menores de 3 a 8 años pueden introducir y extraer productos de la nevera.
- > Los menores no deberán limpiar ni realizar el mantenimiento de usuario sin la debida supervisión.

- > Controle a los niños para asegurarse de que no jueguen con la nevera.



### ¡ADVERTENCIA! Riesgo de atrapamiento infantil

- > Asegúrese de montar y asegurar las bandejas de tal manera que los niños no puedan quedar encerrados dentro de la nevera.
- > Antes de desechar su vieja nevera:
  - Desmonte los cajones.
  - Deje las bandejas dentro de la nevera para que los niños no puedan entrar en ella.
- > Desmonte las puertas.



### ¡ATENCIÓN! Riesgo para la salud

- > Para evitar peligros causados por la inestabilidad de la nevera, esta deberá fijarse tal como se indica en las instrucciones de instalación.
- > Asegúrese de que las aberturas de ventilación de la nevera y de su carcasa o de la estructura en la que esté empotrada no estén nunca obstruidas.
- > No utilice dispositivos mecánicos u otros medios para acelerar el proceso de descongelación, salvo los recomendados por el fabricante.
- > No abra ni dañe el circuito de refrigerante bajo ninguna circunstancia.
- > No utilice ningún aparato eléctrico dentro de la nevera, a no ser que el aparato en cuestión haya sido recomendado para ello por el fabricante del mismo.



### ¡ATENCIÓN! Peligro de lesiones

- > No utilice ni almacene sustancias inflamables en el interior de la nevera ni cerca de ella.
- > No coloque objetos encima de la nevera ni apoyados en ella.
- > No haga modificaciones en esta nevera.



### ¡AVISO! Peligro de daños

- > Seleccione únicamente el funcionamiento con corriente continua si el motor del vehículo está en marcha y suministra suficiente tensión, o si está utilizando un controlador de batería.
- > Si está presente, mantenga siempre limpio el drenaje de condensado.
- > Si la nevera tiene rejillas de ventilación, no emplee limpiadores de agua a alta presión en el área de la rejilla de ventilación al limpiar el vehículo.
- > La nevera no debe quedar expuesta a la lluvia.
- > No desenchufe nunca el cable de conexión tirando de él.

## Seguridad durante el funcionamiento de la nevera



### ¡PELIGRO! Riesgo de electrocución

Antes de poner la nevera en funcionamiento, asegúrese de que el cable de alimentación y la clavija de enchufe estén secos.



### ¡ATENCIÓN! Riesgo para la salud

- > Asegúrese de guardar en la nevera solamente aquellos productos que puedan enfriarse a la temperatura seleccionada.
- > Limpie periódicamente las superficies que puedan estar en contacto con alimentos y los sistemas de desagüe accesibles.
- > Guarde la carne y el pescado crudos en recipientes adecuados dentro de la nevera para que no entren en contacto con otros alimentos ni goteen sobre ellos.

- > Mantener la puerta abierta durante largos periodos de tiempo puede producir un incremento considerable de la temperatura en los compartimentos de la nevera. Si deja la nevera vacía durante un período prolongado:
  - Apague la nevera.
  - Descongele la nevera.
  - Limpie y seque la nevera.
  - Deje la puerta abierta para evitar que se genere moho dentro de la nevera. Si está disponible, coloque la puerta de la nevera y la puerta del congelador en la posición de invierno.



### ¡ATENCIÓN! Peligro de lesiones

- > No introduzca la mano en el tope de la tapa.
- > Cierre y bloquee la puerta de la nevera antes de iniciar un viaje.
- > El sistema de refrigeración situado en la parte trasera de la nevera se calienta mucho durante el funcionamiento. Si la nevera cuenta con rejillas de ventilación, protéjase del contacto con las partes calientes al retirar las rejillas de ventilación.
- > La puerta de la nevera o la del compartimento congelador pueden desprenderse si no se utilizan correctamente. Presione las puertas hasta que oiga claramente un clic en la parte superior e inferior.



### ¡AVISO! Peligro de daños

- > No se apoye sobre la puerta abierta de la nevera.
- > Coloque los objetos más pesados, como botellas o latas, en la puerta de la nevera, en el compartimento de verduras o en la repisa inferior.
- > Si la nevera dispone de apertura de puerta por ambos lados y esta no queda bien cerrada en el lado opuesto, empuje en ese lado por la parte superior e inferior hasta que quede asegurada en su sitio.
- > **¡Peligro de sobrecalentamiento!** Asegúrese de que quede garantizada en todo momento una evacuación adecuada del calor que se genera durante el funcionamiento. Asegúrese de que la nevera guarde la suficiente distancia respecto a paredes u objetos, de forma que el aire pueda circular.
- > No llene el interior con líquidos ni hielo.
- > Proteja la nevera y los cables del calor y la humedad.
- > No desenchufe nunca el cable de conexión tirando de él.



### NOTA

- > Si el sistema de gestión de batería de su vehículo apaga la nevera para proteger la batería, póngase en contacto con el fabricante del vehículo.
- > Para temperaturas ambiente de entre 15 °C ... 25 °C , seleccione el ajuste de temperatura medio.
- > Si la puerta no queda bien cerrada en el lado opuesto, empuje en ese lado por la parte superior e inferior hasta que quede asegurada en su sitio.
- > Tenga en cuenta lo siguiente para no desperdiciar alimentos:
  - Procure que las oscilaciones de temperatura sean mínimas. Abra el congelador únicamente el tiempo y las veces que sea necesario. Almacene los productos alimenticios de manera que no impidan una buena circulación del aire.
  - Asegúrese de guardar en la nevera solamente aquellos productos que puedan enfriarse a la temperatura seleccionada.
  - Almacene los distintos tipos de productos alimenticios tal como se muestra en las figuras.
  - Si la temperatura es ajustable: Ajuste la temperatura a la cantidad y el tipo de productos alimenticios.
  - Los productos alimenticios pueden absorber o desprender sabores y olores con facilidad. Almacene siempre los productos alimenticios envueltos o cerrados en recipientes o botellas.

## 4 Volumen de entrega

| Cantidad | Descripción                          |
|----------|--------------------------------------|
| 1        | Nevera de compresor                  |
| 1        | Codo de drenaje                      |
| 1        | Guía rápida                          |
| 1        | Instrucciones de uso (solo en línea) |
| 1        | Instrucciones de montaje             |

## 5 Accesorios

Disponibles como artículos opcionales (no incluidos en el volumen de entrega):

| Descripción  | N.º de art. |
|--|-------------|
| Bisagra de arrastre  | 9620012939  |
| Marco de fijación incluido bastidor inferior                       |             |
| • NRX0035, NRX0050   | 9620012877  |
| • NRX0060  | 9620012881  |
| • NRX0080  | 9620012882  |
| • NRX0115  | 9620012878  |
| • NRX0130  | 9620012876  |
| Marco de fijación incluido bastidor inferior (negro)               |             |
| • NRX0035, NRX0050   | 9620012874  |
| • NRX0060  | 9620012875  |
| • NRX0080  | 9620012880  |
| • NRX0115  | 9620012879  |
| • NRX0130  | 9620012883  |
| Repisa de repuesto para sustituir el compartimento para congelados |             |
| • NRX0035, NRX0050   | 9620012933  |
| • NRX0060  | 9620012938  |
| • NRX0080  | 9620012935  |
| • NRX0115, NRX0130   | 9620012932  |

| Descripción                   | N.º de art.                        |
|-------------------------------|------------------------------------|
| Compartimento para congelados |                                    |
| • NRX0035, NRX0050            | 9620012931                         |
| • NRX0060                     | 9620012936                         |
| • NRX0080                     | 9620012934                         |
| • NRX0115, NRX0130            | 9620012937                         |
| Adaptador de CA/CC            | 9620013449 (EU)<br>9620013450 (UK) |

## 6 Uso previsto

La nevera está diseñada para:

- Instalación en caravanas, autocaravanas, embarcaciones y camiones
- Refrigerar y guardar comida
- **Solo NRX0035-0130(C/S):** Guardar comida precongelada
- Uso en interiores

Esta nevera no está diseñada para usos comerciales, minoristas o domésticos.

La nevera **no** es adecuada para:

- Almacenar medicamentos
- Almacenar sustancias corrosivas o sustancias que contengan disolventes
- Alimentos de congelación rápida
- Uso en exteriores

Cuando se utilice en embarcaciones, el dispositivo debe instalarse en una sala de descanso y no en la cubierta abierta.

El compartimento para congelados es adecuado para guardar productos precongelados, así como para guardar o hacer helados y cubitos de hielo. No es adecuada para congelar alimentos que no estaban congelados con anterioridad.

La nevera está diseñada para instalarse en un armario o en un nicho de instalación.

Se proporciona un rendimiento óptimo de refrigeración a temperaturas ambiente de entre 16 °C ... 43 °C y con una humedad máxima del 90 % .

Este producto solo es apto para el uso previsto y la aplicación de acuerdo con estas instrucciones.

Este manual proporciona la información necesaria para la correcta instalación y/o funcionamiento del producto. Una instalación deficiente o un uso y mantenimiento inadecuados conllevan un rendimiento insatisfactorio y posibles fallos.

El fabricante no se hace responsable de ninguna lesión o daño en el producto ocasionados por:

- Una instalación, un montaje o una conexión incorrectos, incluido un exceso de tensión
- Un mantenimiento incorrecto o el uso de piezas de recambio distintas de las originales proporcionadas por el fabricante

- Modificaciones realizadas en el producto sin el expreso consentimiento del fabricante
- Uso con una finalidad distinta de la descrita en las instrucciones

Dometic se reserva el derecho de cambiar la apariencia y las especificaciones del producto.

## 7 Descripción técnica

Este aparato es una nevera de compresor.

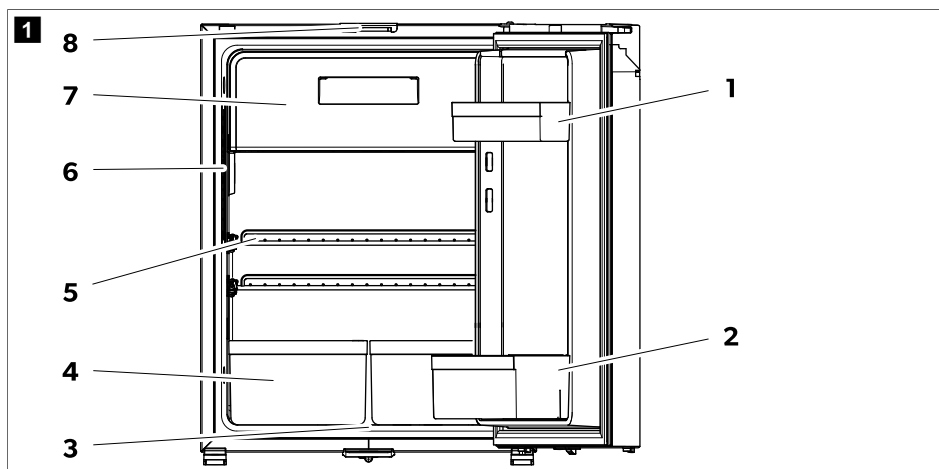
La nevera está diseñada para funcionar con distintos tipos de alimentación y fuentes de corriente alterna o continua.

NRX0035-0130(C/S): El modelo viene equipado de fábrica con un compartimento para congelados que se puede retirar y volver a instalar.

La puerta de la nevera dispone de un mecanismo de bloqueo que sirve como seguro durante los trayectos.

Todos los materiales utilizados en la nevera son aptos para el uso con productos alimenticios.

### Descripción del aparato

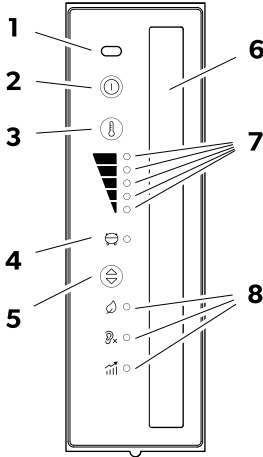


| Núm. | Explicación  |
|------|--|
| 1    | Repisa de puerta (solo NRX0035-0130[C/S], NRX0080-0130[E]) |
| 2    | Repisa para botellas                                       |
| 3    | Purga de condensado  |
| 4    | Verdulero (solo NRX0035-0130[C/S])                         |
| 5    | Repisa interior  |
| 6    | Panel de control con pantalla                              |
| 7    | Compartimento para congelados (solo NRX0035 - 0130[C/S])   |
| 8    | Pestillo para ventilación                                  |

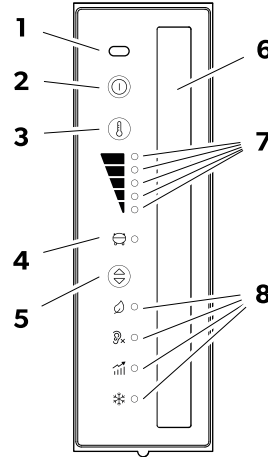







## Elementos de control y de visualización

### 2 NRX0035 – 0130 (E)



### NRX0035 – 0130 (C/S)



| Núm. | Explicación  |
|------|--|
| 1    | Sensor infrarrojo de apertura de puerta  |
| 2    | ⏻ tecla ON/OFF   |
| 3    | ⓘ Botón de ajuste del nivel de refrigeración   |
| 4    | Indicador LED de estado y error del compresor  |
| 5    | ⊕ Botón de modo de funcionamiento  |
| 6    | Luz interior   |
| 7    | Indicadores LED del nivel de refrigeración <ul style="list-style-type: none"> <li> Nivel de refrigeración 5</li> <li> Nivel de refrigeración 4</li> <li> Nivel de refrigeración 3</li> <li> Nivel de refrigeración 2</li> <li> Nivel de refrigeración 1</li> </ul> |
| 8    | Indicadores LED del modo de funcionamiento   |





### Indicador LED de estado y error del compresor

El indicador LED de estado y error del compresor muestra el estado de funcionamiento del compresor o indica un error:

| Color                 | Descripción   |
|-----------------------|---|
| Blanco                | Compresor en funcionamiento                                       |
| Naranja               | Compresor apagado   |
| Naranja (parpadeante) | Error (consulte el capítulo Indicación de error en la página 106) |

## Indicadores LED del modo de funcionamiento

Los indicadores LED del modo de funcionamiento muestran las siguientes opciones de ajuste:

| Símbolo   | Descripción  |
|---|--|
|  | Modo ECO:<br>Funcionamiento con consumo de energía reducido.<br>Nivel de refrigeración 1 – 3   |
|  | Modo QUIET:<br>Funcionamiento con un nivel de ruido reducido.<br>Nivel de refrigeración 1 – 4  |
|  | Modo PERFORMANCE:<br>Nivel de refrigeración 1 – 5  |
|  | Modo FREEZER (solo NRX0035–0130[C/S]):<br>Funcionamiento con compartimento para congelados retirado. Enfría el interior íntegro del frigorífico a $-6^{\circ}\text{C}$ . |

## 8 Funcionamiento

### 8.1 Antes del primer uso

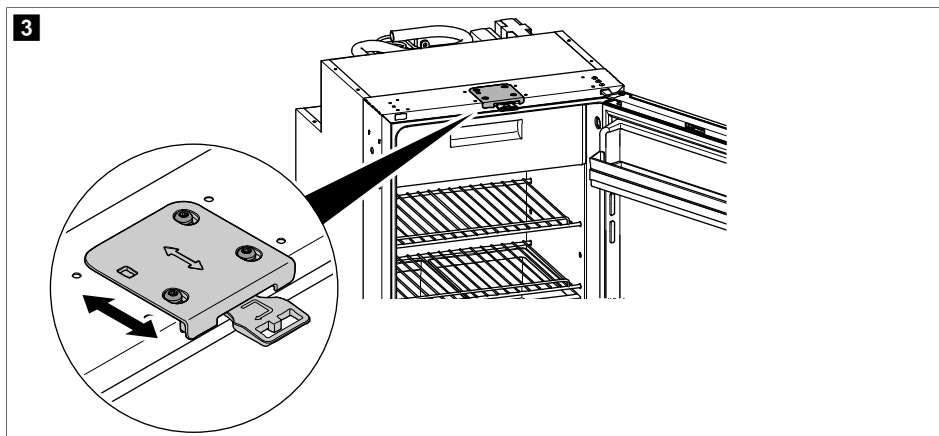


#### NOTA

- > No conserve alimentos en la nevera durante las primeras 4 horas tras la conexión.
- > Durante la primera puesta en marcha de la nevera se pueden producir olores que desaparecen después de unas horas. Ventile bien el habitáculo.
- > La potencia de refrigeración puede verse afectada por:
  - la temperatura ambiente (p.ej., si el vehículo está expuesto a la luz directa del sol)
  - la cantidad de alimentos a refrigerar
  - la frecuencia de apertura de la puerta de la nevera
- > Por motivos de higiene, debe limpiar el interior de la nevera (véase Limpieza y mantenimiento en la página 100).
- > Aparque el vehículo de manera que quede nivelado, especialmente durante la puesta en funcionamiento y llenado de la nevera antes de comenzar un viaje.

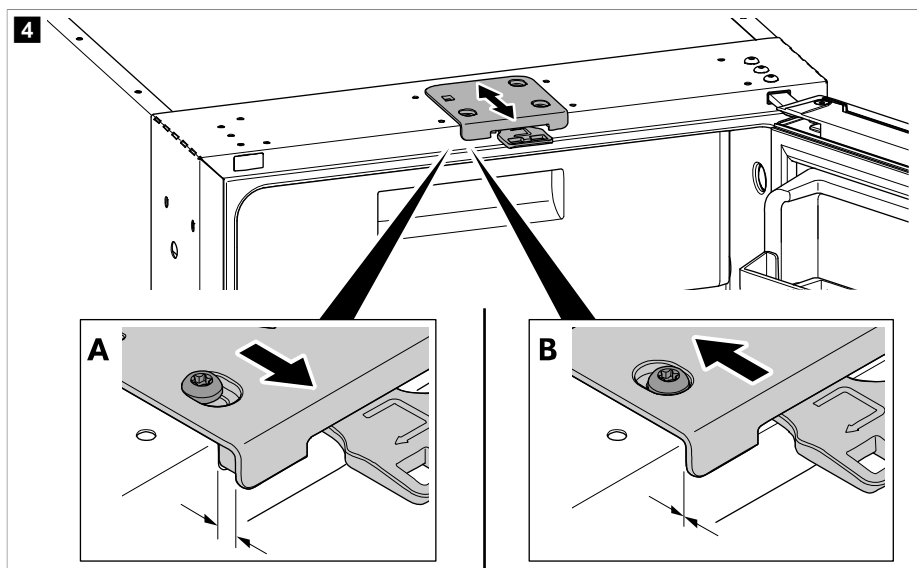
#### 8.1.1 Ajuste del pestillo de la puerta

El pestillo de la puerta en la parte superior de la nevera se puede ajustar para regular la anchura de cierre de la puerta.



**i** **NOTA** Compruebe si el pestillo de la puerta ajustable está instalado. Si es necesario, solicite el pestillo de la puerta ajustable ([dometic.com](http://dometic.com)) y sustituya el pestillo fijo por este.

> El pestillo de la puerta se establece en la posición **A** de fábrica. Mueva el pestillo a la posición **B**.



**i** **NOTA** Si el pestillo está en la posición **B**, asegúrese de que la puerta encaja correctamente al cerrarla (consulte el capítulo Cierre seguro de la puerta de la nevera en la página 95).

## 8.2 Información para la conservación de alimentos



### ¡ATENCIÓN! Riesgo para la salud

Si la nevera está expuesta a una temperatura ambiente inferior a 10 °C durante un periodo de tiempo prolongado, la temperatura del compartimento para congelados no se podrá regular con garantías. Esto puede provocar un aumento de la temperatura del compartimento para congelados y la descongelación de los productos almacenados.

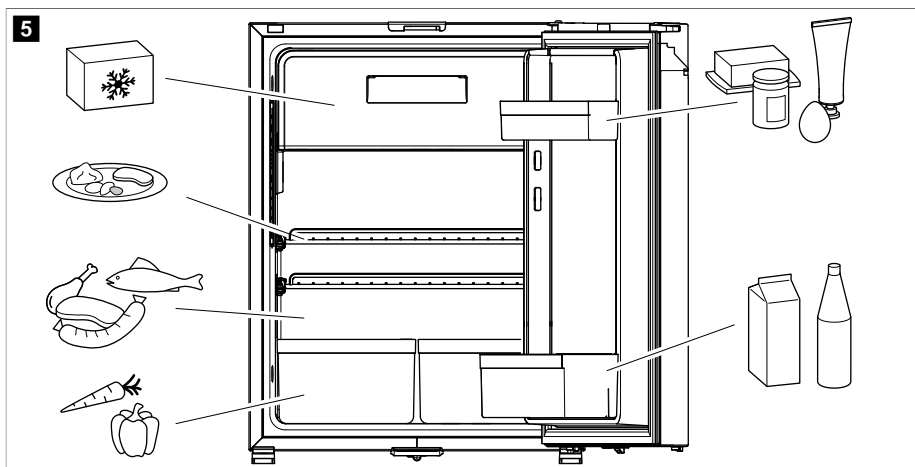


### ¡AVISO! Peligro de daños

- > Tenga en cuenta la carga máxima permitida para la puerta y por repisa de puerta cuando llene la nevera (consulte Datos técnicos en la página 107).
- > No guarde bebidas con gas en el compartimento para congelados.

Tenga en cuenta lo siguiente para no desperdiciar alimentos:

- Procure que las oscilaciones de temperatura sean mínimas. Abra la nevera únicamente el tiempo y las veces que sea necesario. Almacene los productos alimenticios de manera que no impidan una buena circulación del aire.
  - Ajuste la temperatura a la cantidad y el tipo de productos alimenticios.
  - Almacene los distintos tipos de productos alimenticios tal como se muestra en las figuras.
  - Los productos alimenticios pueden absorber o desprender sabores y olores con facilidad. Almacene siempre los productos alimenticios envueltos o cerrados en recipientes o botellas.
- > Almacene los alimentos tal y como se indica.



## 8.3 Ahorro de energía

- Abra la nevera únicamente el tiempo y las veces que sea necesario.
- Antes de introducir alimentos calientes en el aparato, deje que se enfríen.
- Descongele la nevera cuando se forme una capa de escarcha.
- No regule una temperatura innecesariamente baja en el interior.
- Para un consumo de energía óptimo, coloque las repisas y cajones en la misma posición que ocupan en el momento de la entrega.
- Compruebe periódicamente que la junta de la puerta cierra correctamente.
- Elimine regularmente el polvo y la suciedad del condensador.

## 8.4 Uso de la puerta de la nevera



### ¡ATENCIÓN! Peligro de lesiones

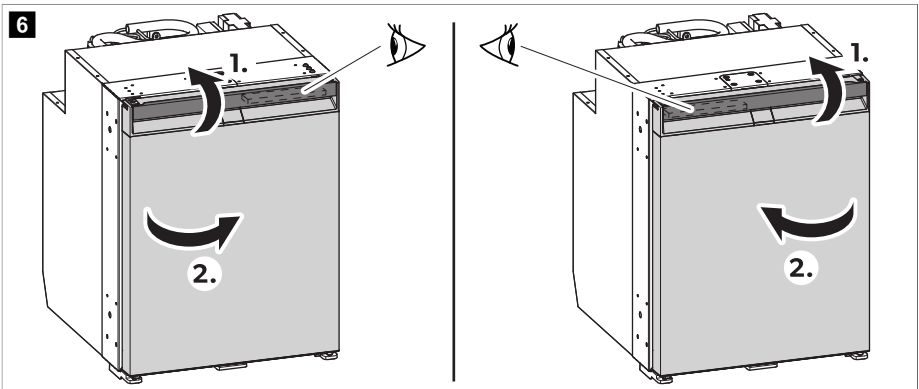
La puerta de la nevera o la del compartimento para congelados pueden desprenderse si no se utilizan correctamente.

### 8.4.1 Apertura de la puerta de la nevera



**NOTA** Asegúrese de abrir tirando por el lado opuesto al lado de cierre de la puerta. Observe la posición respectiva del elemento deslizante. Consulte las instrucciones de montaje asociadas.

> Para abrir la puerta de la nevera, proceda como se muestra.



### 8.4.2 Cierre seguro de la puerta de la nevera



### ¡ATENCIÓN! Peligro de lesiones

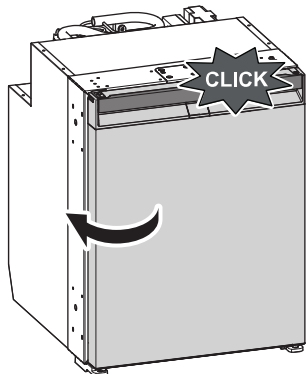
Si la puerta no queda bien asegurada, empuje con cuidado en la parte superior e inferior de la puerta en ese lado hasta que quede asegurada en su sitio.



**NOTA** La puerta de la nevera dispone de un mecanismo de cierre que también se utiliza como protección durante los desplazamientos.

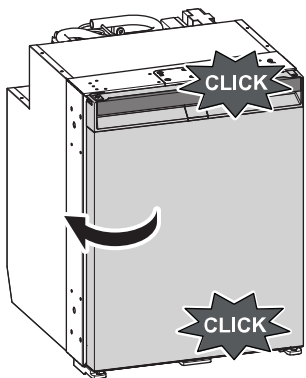
- > NRX0035-0130(E): Presione la puerta hasta que oiga claramente un clic en la parte superior.

## 7 NRX0035 - 0130 (E)



- > NRX0035-0130(C/S): Presione la puerta hasta que oiga claramente un clic en la parte superior e inferior.

## 8 NRX0035 - 0130 (C/S)





- ✓ Ahora la puerta está cerrada y bloqueada.

## 8.5 Encendido y apagado



**NOTA** Apague siempre la nevera si no se va a utilizar durante un período de tiempo prolongado.

- > Para encender, mantenga pulsado el botón  durante al menos 2 s segundos.
- ✓ La nevera se enciende con el último nivel de refrigeración y modo de funcionamiento seleccionados.
- > Para apagar, mantenga pulsado el botón  durante al menos 2 s segundos.

## 8.6 Ajuste de los modos de funcionamiento



**NOTA** Cuando se utilizan los modos ECO, PERFORMANCE o FREEZER, el sistema permanece el modo seleccionado hasta que se realice un cambio.

- > Para establecer el modo de funcionamiento, pulse el botón  varias veces hasta que se ilumine el indicador LED del modo de funcionamiento deseado.

Están disponibles los siguientes modos de funcionamiento:

### Uso del modo ECO

Con el modo ECO activado, la nevera funciona con un consumo de energía reducido en los niveles de refrigeración 1 a 3.

- ✓ El indicador LED del modo ECO  y el indicador LED del nivel de refrigeración seleccionado se iluminan.

### Uso del modo QUIET

Con el modo QUIET activado, la nevera funciona con un nivel de ruido reducido en los niveles de refrigeración 1 a 4.



#### NOTA

- > El modo QUIET no está disponible si la nevera está funcionando en modo FREEZER.
- > Cuando se selecciona el modo QUIET, la nevera mantiene este modo durante 8 h y después vuelve al modo seleccionado anteriormente (ECO o PERFORMANCE).

- ✓ El indicador LED del modo QUIET  y el indicador LED del nivel de refrigeración seleccionado se iluminan.

### Uso del modo PERFORMANCE

Con el modo PERFORMANCE activado, la nevera funciona en modo estándar en los niveles de refrigeración 1 a 5.

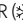
- ✓ El indicador LED del modo PERFORMANCE  y el indicador LED del nivel de refrigeración seleccionado se iluminan.

### Uso del modo FREEZER

Con el modo FREEZER activado, el interior de la nevera se enfría a  $-6^{\circ}\text{C}$ .



**NOTA** Retire el compartimento para congelados si utiliza el modo FREEZER.

- ✓ El indicador LED del modo FREEZER  y todos los indicadores LED de nivel de refrigeración se iluminan de manera continua.

## 8.7 Ajuste del nivel de refrigeración

- > Para ajustar el nivel de refrigeración, pulse el botón  varias veces hasta alcanzar el nivel de refrigeración deseado.

## 8.8 Cambio de posición de las repisas



### ¡ADVERTENCIA! Riesgo de atrapamiento infantil

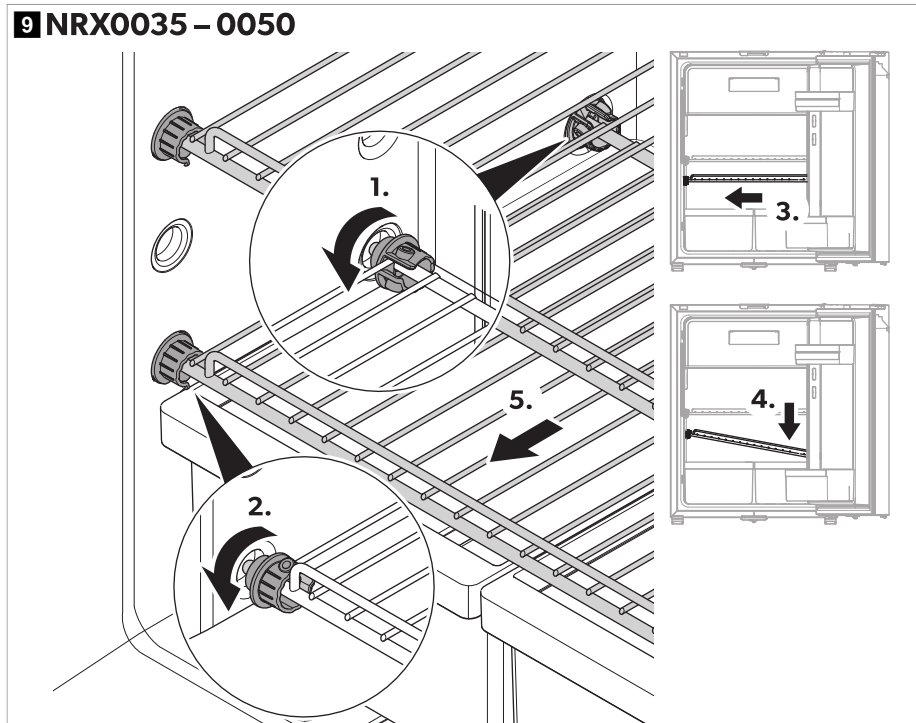
NRX0060-0130: Todas las repisas están fijadas en su lugar para evitar que los niños se suban al interior de la nevera.

- > Retire las repisas solamente para limpiar.
- > Vuelva a colocar las repisas y asegúrelas.



**NOTA** Antes de cambiar las repisas de posición, retire el compartimento para congelados para facilitar el acceso a los soportes traseros de las repisas.

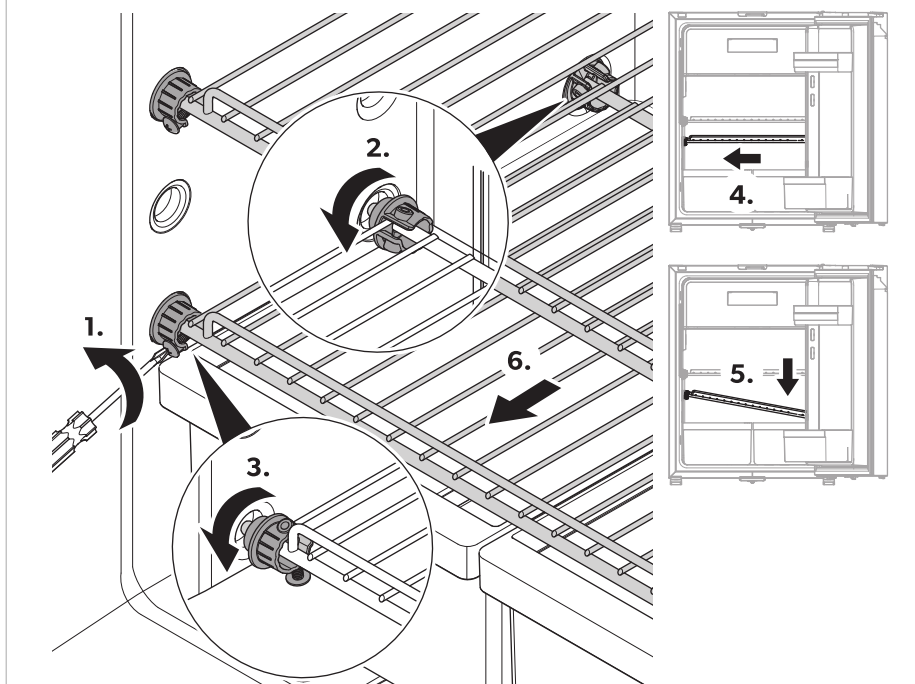
- > **NRX0035-0050:** para cambiar las repisas de posición, proceda como se muestra.





- > **NRX0035-0050:** Para cambiar las repisas de posición, proceda como se muestra.

## 10 NRX0060 – 0130



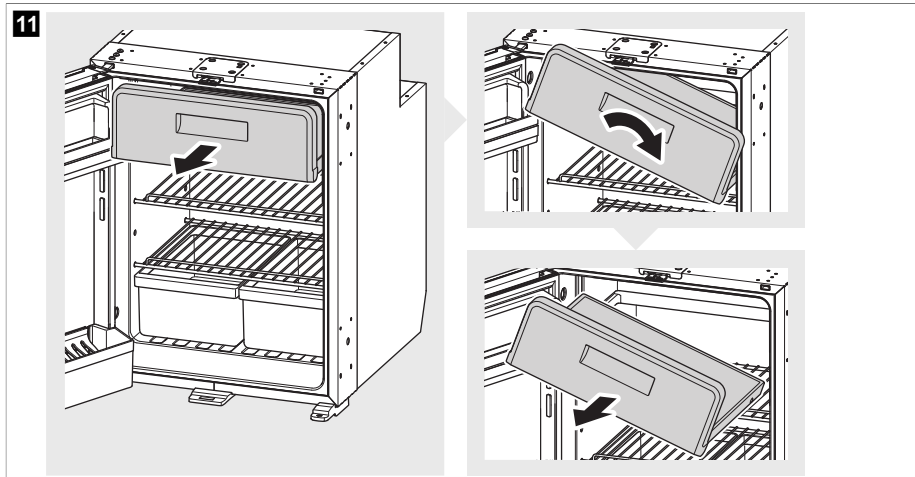
### 8.9 Extracción del compartimento para congelados



#### ¡AVISO! Peligro de daños

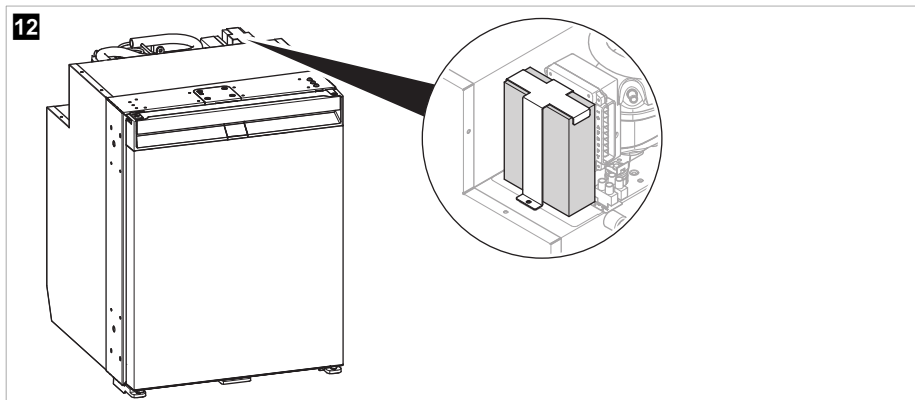
- > Cierre la puerta del compartimento para congelados antes de retirarlo.
- > Sujete el compartimento para congelados por la parte inferior. No tire de la puerta del compartimento para congelados.
- > Guarde el compartimento para congelados en un lugar seco y seguro.

- > Para retirar el compartimento para congelados, proceda como se muestra.



## 8.10 Instalación del adaptador de CA/CC

- > Para instalar el adaptador de CA/CC (accesorios), proceda como se muestra.



## 9 Limpieza y mantenimiento



### ¡ADVERTENCIA! Riesgo de electrocución

Antes de proceder a la limpieza o mantenimiento de la nevera, desconéctela del suministro eléctrico.



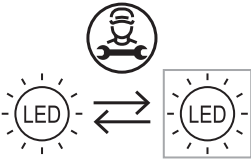
### ¡AVISO! Peligro de daños

- > No utilice limpiadores abrasivos ni objetos duros para limpiar el aparato.
- > No utilice herramientas duras ni puntiagudas para retirar hielo o despegar objetos congelados.
- > Asegúrese de que no gotee agua en las juntas. Ello puede dañar el sistema electrónico.



### ¡AVISO! Peligro de daños

Únicamente el fabricante, un técnico de mantenimiento autorizado o una persona con cualificación similar puede cambiar la fuente luminosa con el fin de evitar peligros.



- > Limpie el interior y el exterior de la nevera con un paño húmedo periódicamente y siempre que esté sucio. Después de haberla limpiado, seque la nevera con un paño.
- > Compruebe regularmente el orificio de drenaje del agua de condensación.  
Si es necesario, limpie el orificio de drenaje del agua de condensación. Si se atasca, el agua de deshielo se acumula en la parte inferior de la nevera.
- > Limpie con frecuencia el polvo y la suciedad del condensador con un paño húmedo.

### Circuito de refrigeración

El circuito de refrigeración no requiere mantenimiento.

### Descongelar la nevera



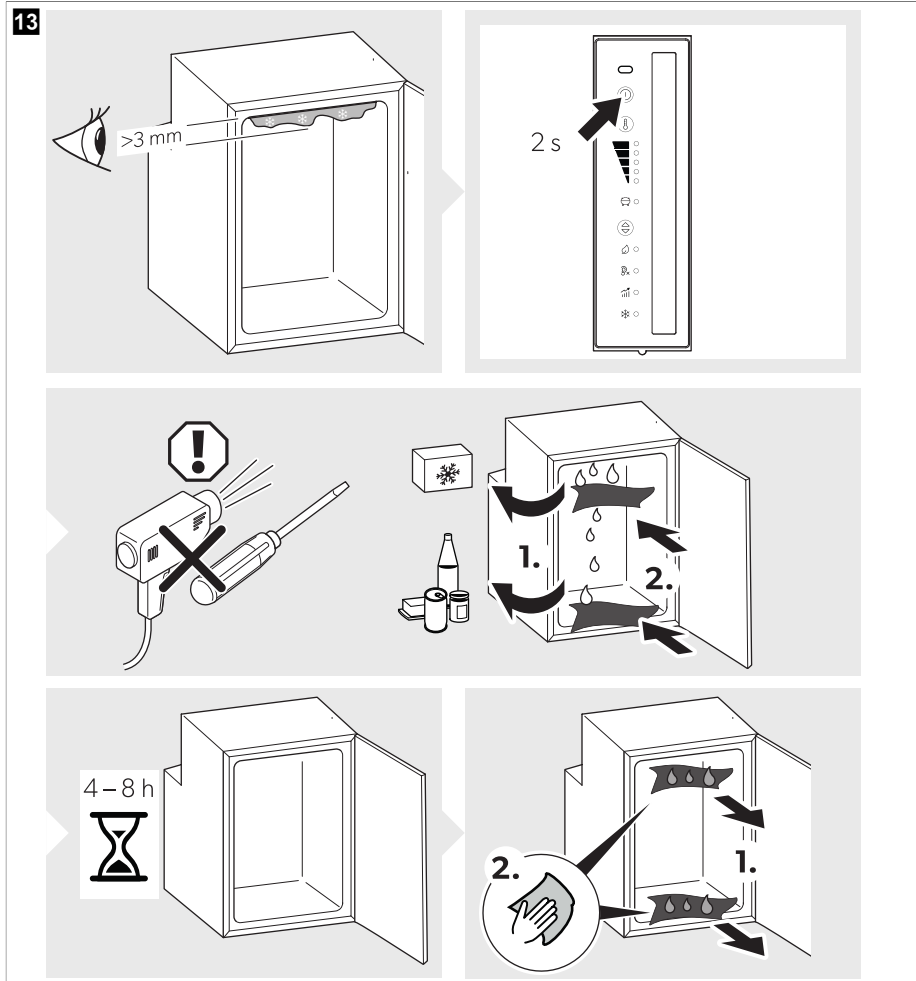
### ¡AVISO! Peligro de daños

No utilice herramientas mecánicas ni de otra clase para acelerar el deshielo.



**NOTA** Con el tiempo, se forma escarcha en la pared trasera del interior de la nevera. Cuando esa capa de escarcha sea de unos 3 mm, se debe descongelar la nevera.

> Para descongelar la nevera, proceda como se muestra.



### Colocación de la puerta de la nevera en la posición de almacenaje



**¡ATENCIÓN! Peligro de lesiones**

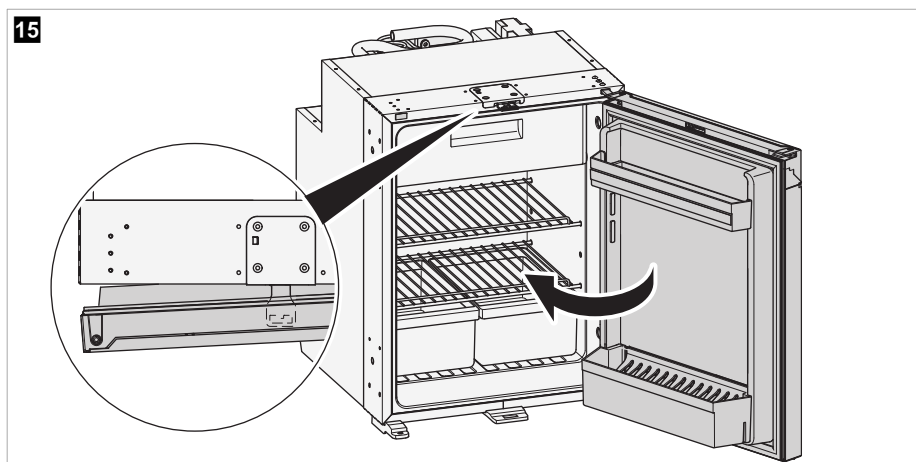
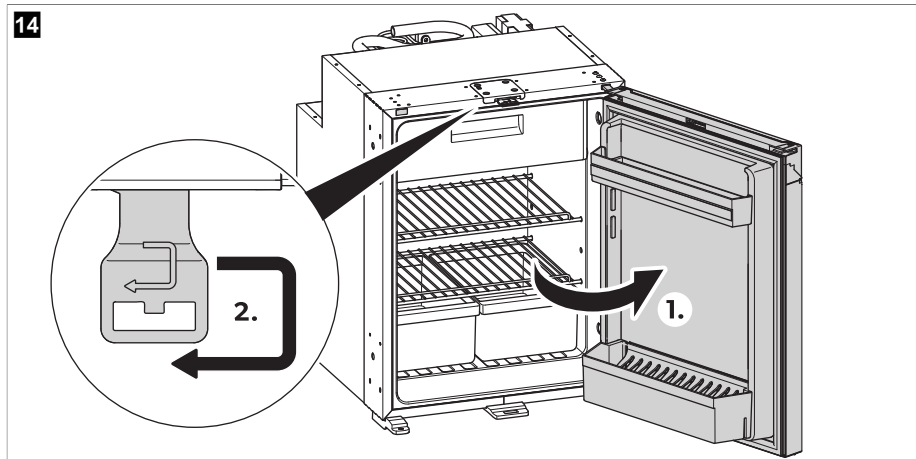
La posición de almacenaje no se puede utilizar durante el trayecto.



**NOTA** Si no va a utilizar la nevera durante un periodo de tiempo prolongado, coloque la puerta en la posición de almacenaje. De esta forma, se evita que se forme moho.

> Descongele la nevera (véase Descongelar la nevera en la página 101).

> Coloque la puerta de la nevera en la posición de almacenaje tal como se muestra.

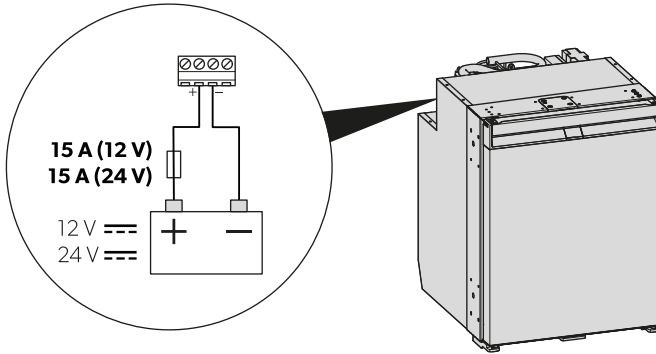



## 10 Solución de problemas



**NOTA** Para que las unidades de consumo de 12 V funcionen de manera segura en la caravana durante la conducción, el vehículo tractor deberá suministrar la tensión suficiente. En algunos vehículos, el sistema de gestión de baterías puede desconectar automáticamente las unidades consumidoras para proteger la batería. Consulte al fabricante de su vehículo.

16



| Fallo  | Posible causa   | Propuesta de solución  |
|--|---|--|
| La nevera no funciona.   | El fusible del cable de corriente continua está averiado.   | > Sustituya el fusible (  fig. 16 en la página 104).  |
|  | Se ha fundido el fusible del vehículo.  | > Sustituya el fusible del vehículo.<br>Consulte las instrucciones de uso de su vehículo.  |
|  | La batería del vehículo está descargada.  | > Compruebe la batería del vehículo y cárguela.  |
|  | El encendido no está conectado.   | > Conecte el encendido.  |
|  | La temperatura del compresor es demasiado baja (< 0 °C).  | > Cierre/cubra completamente todas las rejillas de ventilación externas con material aislante.   |
|  | La nevera se apaga automáticamente si el voltaje es insuficiente.<br><br>(Tensión de desconexión: 10,4 V ⇒) | > Cargue la batería. La nevera se pondrá en marcha de nuevo automáticamente.<br><br>(Tensión de reconexión: 11,7 V ⇒)  |
| Mala refrigeración, aumento de la temperatura interior. El compresor funciona continuamente. | La ventilación alrededor del grupo es insuficiente.   | > Compruebe si la rejilla de ventilación está obstruida.<br>> Cambie la ubicación de la nevera.  |
|  | Las paredes interiores están heladas.   | > Compruebe si la puerta de la nevera cierra correctamente.<br>> Asegúrese de que la junta de la nevera encaja correctamente y no está dañada.<br>> Descongele la nevera (véase Descongelar la nevera en la página 101). |
|  | La temperatura está regulada a un valor demasiado alto.   | > Regule una temperatura más baja.   |
|  | La temperatura ambiente es demasiado alta.  | > Retire la rejilla de ventilación provisionalmente para que el aire caliente salga más rápido.  |
|  | Demasiados alimentos depositados en la nevera al mismo tiempo.  | > Retire algunos alimentos.  |

| Fallo  | Posible causa   | Propuesta de solución   |
|--|---|---|
|  | Demasiados alimentos calientes depositados en la nevera al mismo tiempo.                        | <ul style="list-style-type: none"> <li>➤ Retire los alimentos calientes y déjelos enfriar antes de guardarlos en la nevera.</li> </ul>      |
|  | La nevera no lleva suficiente tiempo en funcionamiento.   | <ul style="list-style-type: none"> <li>➤ Vuelva a comprobar la temperatura después de 4 h / 5 h .</li> </ul>                                |
|  | El condensador está sucio.  | <ul style="list-style-type: none"> <li>➤ Limpie el condensador (consulte el capítulo Limpieza y mantenimiento en la página 100).</li> </ul> |
|  | El ventilador está averiado.  | <ul style="list-style-type: none"> <li>➤ Póngase en contacto con un técnico de mantenimiento autorizado.</li> </ul>                         |
| <p>Mala refrigeración, aumento de la temperatura interior.</p> <p>El compresor no funciona muchas veces.</p>                   | La capacidad de la batería está agotada.  | <ul style="list-style-type: none"> <li>➤ Cargue la batería.</li> </ul>  |
| <p>Mala refrigeración, aumento de la temperatura interior.</p> <p>El compresor no funciona (conexión a batería).</p>           | Hay una interrupción en la conexión entre la batería y el sistema electrónico.                  | <ul style="list-style-type: none"> <li>➤ Establezca la conexión.</li> </ul>   |
|  | El interruptor principal está averiado (si está instalado).                                     | <ul style="list-style-type: none"> <li>➤ Sustituya el interruptor principal.</li> </ul>   |
|  | Se ha quemado el fusible de la línea de suministro (si está instalado).                         | <ul style="list-style-type: none"> <li>➤ Sustituya el fusible de la línea de suministro.</li> </ul>   |
|  | La tensión de la batería es demasiado baja.   | <ul style="list-style-type: none"> <li>➤ Cargue la batería.</li> </ul>  |
|  | La capacidad de la batería es demasiado baja.   | <ul style="list-style-type: none"> <li>➤ Cambie la batería.</li> </ul>  |
|  | Los cables están sueltos.<br>El contacto es deficiente (corrosión).                             | <ul style="list-style-type: none"> <li>➤ Establezca la conexión.</li> </ul>   |
|  | La sección del cable es insuficiente.   | <ul style="list-style-type: none"> <li>➤ Sustituya el cable.</li> </ul>   |
|  | El compresor está averiado.   | <ul style="list-style-type: none"> <li>➤ Póngase en contacto con un técnico de mantenimiento autorizado.</li> </ul>                         |
| <p>Mala refrigeración, aumento de la temperatura interior.</p> <p>El compresor no funciona (conexión a corriente alterna).</p> | La línea de suministro está interrumpida.   | <ul style="list-style-type: none"> <li>➤ Establezca la conexión.</li> </ul>   |
|  | El interruptor principal está averiado (si está instalado).                                     | <ul style="list-style-type: none"> <li>➤ Sustituya el interruptor principal.</li> </ul>   |
|  | Se ha quemado el fusible de la línea de suministro (si está instalado).                         | <ul style="list-style-type: none"> <li>➤ Sustituya el fusible de la línea de suministro.</li> </ul>   |
|  | El compresor está averiado.   | <ul style="list-style-type: none"> <li>➤ Póngase en contacto con un técnico de mantenimiento autorizado.</li> </ul>                         |
| <p>Ruidos inusuales.</p>   | Un componente del circuito de refrigeración no puede vibrar libremente (está tocando la pared). | <ul style="list-style-type: none"> <li>➤ Doble el elemento con cuidado para separarlo de la superficie obstructora.</li> </ul>              |
|  | Hay un cuerpo extraño atrapado entre el sistema de refrigeración y la pared.                    | <ul style="list-style-type: none"> <li>➤ Retire el cuerpo extraño.</li> </ul>   |
|  | Ruido del ventilador.   | <ul style="list-style-type: none"> <li>➤ Póngase en contacto con un técnico de mantenimiento autorizado.</li> </ul>                         |

| Fallo   | Posible causa  | Propuesta de solución  |
|---|--|--|
| La puerta se abre accidentalmente con el movimiento (por ejemplo, durante la conducción). | El pestillo de la puerta está en la posición <b>A</b> (consulte el capítulo Ajuste del pestillo de la puerta en la página 92).   | > Coloque el pestillo de la puerta en la posición <b>B</b> .   |
| La puerta no cierra correctamente.  | El pestillo de la puerta está en la posición <b>A</b> (consulte el capítulo Ajuste del pestillo de la puerta en la página 92).   | > Coloque el pestillo de la puerta en la posición <b>B</b> .   |
|   | El pestillo de la puerta está en la posición <b>B</b> (consulte el capítulo Ajuste del pestillo de la puerta en la página 92), pero la puerta no encaja correctamente. | > Asegúrese de que la puerta encaja correctamente al cerrarla. |

## Indicación de error



### NOTA

- > Todos los errores se indican mediante el parpadeo del indicador LED de error de color naranja (véase Elementos de control y de visualización en la página 91). El número de pulsos depende del tipo de avería. Cada pulso dura un cuarto de segundo. Después de la secuencia de pulsos hay una pausa. La secuencia que corresponde a la avería se repite cada cuatro segundos.
- > En los modos ECO, PERFORMANCE y FREEZER, suena un pitido adicional.

| Frecuencia de parpadeo | Error   | Posible causa  |
|------------------------|---|--|
| 1                      | Subtensión o sobretensión                       | La tensión de alimentación está fuera del rango ajustado.  |
| 2                      | Sobrecorriente del ventilador                   | La carga del ventilador sobre el sistema electrónico es superior a 1 A.  |
| 3                      | El motor no arranca.                            | El rotor está bloqueado.<br>La diferencia de presión en el sistema de refrigeración es demasiado alta.                                   |
| 4                      | Número de revoluciones demasiado bajo           | Si el sistema de refrigeración está sobrecargado, no se puede mantener la velocidad mínima del motor.                                    |
| 5                      | Exceso de temperatura en el sistema electrónico | Si el sistema de refrigeración está sobrecargado o si la temperatura es demasiado elevada, el sistema electrónico se calienta demasiado. |
| Constante              | Errores del sensor de temperatura               | El sensor de temperatura está averiado.  |

## 11 Garantía

Se aplica el período de garantía estipulado por la ley. Si el producto es defectuoso, póngase en contacto con la sucursal del fabricante de su país (consulte [dometic.com/dealer](http://dometic.com/dealer)) o con su punto de venta.

Para tramitar la reparación y la garantía, incluya los siguientes documentos cuando envíe el aparato:

- Una copia de la factura con fecha de compra
- El motivo de la reclamación o una descripción de la avería



Tenga en cuenta que una reparación por medios propios o no profesionales puede tener consecuencias de seguridad y suponer la anulación de la garantía.

## 12 Eliminación



### ¡AVISO! Peligro de daños

El aislamiento de la nevera contiene ciclopentano y requiere una gestión de residuos especial. Deposite el aparato de refrigeración en un centro de reciclaje adecuado al finalizar su vida útil.



Si es posible, deseche el material de embalaje en el contenedor de reciclaje adecuado. Consulte con un punto limpio o con un distribuidor especializado para obtener más información sobre cómo eliminar el producto de acuerdo con las normativas aplicables de eliminación. Europa: El producto podrá desecharse gratuitamente.

## 13 Datos técnicos

Para ver la declaración de conformidad actual de la UE relativa a su aparato, diríjase a la página del producto correspondiente en [dometic.com](http://dometic.com) o póngase en contacto directamente con el fabricante (consulte [dometic.com/dealer](http://dometic.com/dealer)).

Este dispositivo cumple la norma UN ECE R10.

|  | NRX0035(E/C/S) | NRX0050(E/C/S)           | NRX0060(E/C/S) |
|--|----------------|--------------------------|----------------|
| Capacidad  |                |                          |                |
| • Compartimento nevera (solo NRX0035-0130[C/S])            | 27,3 L         | 39,6 L                   | 48,9 L         |
| • Compartimento para congelados (solo NRX0035-0130[C/S])   | 4,4 L          | 4,4 L                    | 6,1 L          |
| • Capacidad total  | 32 L           | 44 L                     | 55 L           |
| • Capacidad total (compartimento para congelados retirado) | 34 L           | 46 L                     | 58 L           |
| Tensión de conexión  |                | 12 / 24 V <sup>---</sup> |                |
| Protección de la batería de alimentación (12 V)            |                |                          |                |
| • Tensión de desconexión                                   |                | 10,4 V                   |                |
| • Tensión de reconexión                                    |                | 11,7 V                   |                |
| Protección de la batería de alimentación (24 V)            |                |                          |                |
| • Tensión de desconexión                                   |                | 22,8 V                   |                |
| • Tensión de reconexión                                    |                | 24,2 V                   |                |
| Clase climática  |                | T                        |                |
| Rango de temperatura de almacenamiento:                    |                |                          |                |

|   | <b>NRX0035(E/C/S)</b>   | <b>NRX0050(E/C/S)</b>                       | <b>NRX0060(E/C/S)</b>             |
|---|---|---|-----------------------------------|
| <ul style="list-style-type: none"> <li>• Nevera</li> <li>• Compartimento para congelados (solo NRX0035-0130[C/S])</li> <li>• Modo FREEZER (solo NRX0035-0130[C/S])</li> </ul> |   | 0 °C ... 12 °C<br>-15 °C ... -5 °C<br>-6 °C |                                   |
| Uso previsto a temperatura ambiente   |   | 16 °C ... 43 °C                             |                                   |
| Refrigerante  |   | R134a                                       |                                   |
| cantidad existente de refrigerante  | 24 g  | 26 g  | 30 g                              |
| Equivalente de CO2  | 0,034 t   | 0,037 t                                     | 0,043 t                           |
| Potencial de calentamiento atmosférico (PCA)  |   | 1430  |                                   |
| Emisión de ruidos (EN 60704)  |   | 40 ... 45 dB(A)                             |                                   |
| Dimensiones Al x An x Pr  | 525 × 380 × 355 mm<br>(sin compresor ni separador)<br>525 mm × 380 mm × 480 mm<br>(con compresor y separador) | 525 mm × 380 mm × 510 mm                    | 525 mm × 448 mm × 537 mm          |
| Peso neto   | E: 13,5 kg<br>C, S: 16 kg   | E: 14,5 kg<br>C, S: 17 kg                   | E: 16 kg<br>C, S: 17 kg           |
| Carga máxima  |   |   |                                   |
| <ul style="list-style-type: none"> <li>• Por repisa de puerta</li> <li>• Por puerta</li> </ul>  | 4 kg<br><br>E: 4 kg<br>C/S: 8 kg  | 4 kg<br><br>E: 4 kg<br>C/S: 8 kg            | 5 kg<br><br>E: 5 kg<br>C/S: 10 kg |
|   | <b>NRX0080(E/C/S)</b>   | <b>NRX0115(E/C/S)</b>                       | <b>NRX0130(E/C/S)</b>             |
| Capacidad   |   |   |                                   |
| <ul style="list-style-type: none"> <li>• Compartimento de nevera (solo NRX0035 - 0130[C/S])</li> </ul>  | 68,4 L  | 104,5 L                                     | 118 L                             |
| <ul style="list-style-type: none"> <li>• Compartimento para congelados (solo NRX0035 - 0130[C/S])</li> </ul>  | 6,6 L   | 8,2 L                                       | 8,2 L                             |
| <ul style="list-style-type: none"> <li>• Capacidad total</li> </ul>   | 75 L  | 113 L                                       | 126 L                             |
| <ul style="list-style-type: none"> <li>• Capacidad total (compartimento para congelados retirado)</li> </ul>  | 78 L  | 116 L                                       | 130 L                             |
| Tensión de conexión   |   | 12 / 24 V <sup>==</sup>                     |                                   |
| Protección de la batería de alimentación (12 V)   |   |   |                                   |

|   | NRX0080(E/C/S)          | NRX0115(E/C/S)          | NRX0130(E/C/S)          |
|---|-------------------------|-------------------------|-------------------------|
| <ul style="list-style-type: none"> <li>Tensión de desconexión</li> <li>Tensión de reconexión</li> </ul>   |                         | 10,4 V<br>11,7 V        |                         |
| Protección de la batería de alimentación ( 24 V ) <ul style="list-style-type: none"> <li>Tensión de desconexión</li> <li>Tensión de reconexión</li> </ul> |                         | 22,8 V<br>24,2 V        |                         |
| Clase climática   |                         | T                       |                         |
| Rango de temperatura de almacenamiento  |                         |                         |                         |
| <ul style="list-style-type: none"> <li>Nevera</li> </ul>  |                         | 0 °C ... 12 °C          |                         |
| <ul style="list-style-type: none"> <li>Compartimento para congelados (solo NRX0035-0130[C/S])</li> </ul>  |                         | -15 °C ... -5 °C        |                         |
| <ul style="list-style-type: none"> <li>Modo FREEZER (solo NRX0035-0130C/S)</li> </ul>   |                         | -6 °C                   |                         |
| Uso previsto a temperatura ambiente   |                         | 16 °C ... 43 °C         |                         |
| Refrigerante  |                         | R134a                   |                         |
| cantidad existente de refrigerante  | 32 g                    | 40 g                    | 40 g                    |
| Equivalente de CO2  | 0,046 t                 | 0,057 t                 | 0,057 t                 |
| Potencial de calentamiento atmosférico (PCA)  |                         | 1430                    |                         |
| Emisión de ruidos (EN 60704)  |                         | 40 ... 45 dB(A)         |                         |
| Dimensiones Al x An x Pr  | 625 × 475 × 537 mm      | 745 × 525 × 568 mm      | 812 × 525 × 568 mm      |
| Peso neto   | C, S: 20 kg<br>E: 18 kg | C, S: 26 kg<br>E: 24 kg | C, S: 27 kg<br>E: 25 kg |
| Carga máxima  |                         |                         |                         |
| <ul style="list-style-type: none"> <li>Por repisa de puerta</li> </ul>  | 5 kg                    | 6 kg                    | 6 kg                    |
| <ul style="list-style-type: none"> <li>Por puerta</li> </ul>  | 10 kg                   | E: 12 kg<br>C/S: 18 kg  | E: 12 kg<br>C/S: 18 kg  |

## 14 Datos técnicos

Para ver la declaración de conformidad actual de la UE relativa a su aparato, diríjase a la página del producto correspondiente en [dometic.com](http://dometic.com) o póngase en contacto directamente con el fabricante (consulte [dometic.com/dealer](http://dometic.com/dealer)).

Este dispositivo cumple la norma UN ECE R10.

|  | <b>NRX0090V</b>          |
|--|--------------------------|
| Capacidad  |                          |
| • Compartimento de nevera                                  | 79 L                     |
| • Compartimento para congelados                            | 8,4 L                    |
| • Capacidad total  | 87 L                     |
| • Capacidad total (compartimento para congelados retirado) | 92 L                     |
| Tensión de conexión  | 12 / 24 V <sup>==</sup>  |
| Protección de la batería de alimentación (12 V)            |                          |
| • Tensión de desconexión                                   | 10,4 V                   |
| • Tensión de reconexión                                    | 11,7 V                   |
| Protección de la batería de alimentación (24 V)            |                          |
| • Tensión de desconexión                                   | 22,8 V                   |
| • Tensión de reconexión                                    | 24,2 V                   |
| Consumo de energía   | 0,35 kWh / 24 h          |
| Clase climática  | T                        |
| Rango de temperatura de almacenamiento                     |                          |
| • Nevera   | 0 °C ... 15 °C           |
| • Compartimento para congelados                            | -12 °C ... -5 °C         |
| • Modo FREEZER   | -5 °C ± 2 °C             |
| Uso previsto a temperatura ambiente                        | 16 °C ... 43 °C          |
| Refrigerante   | R600a                    |
| cantidad existente de refrigerante                         | 22 g                     |
| Equivalente de CO <sub>2</sub>                             | 0,000 t                  |
| Potencial de calentamiento atmosférico (PCA)               | 3                        |
| Emisión de ruidos (EN 60704)                               |                          |
| • Modo PERFORMANCE   | < 40 dB(A)               |
| • Modo QUIET   | 37 dB(A)                 |
| Dimensiones Al x An x Pr                                   | 821 mm × 486 mm × 480 mm |
| Peso neto  | 22 kg                    |

## Português

|    |                              |     |
|----|------------------------------|-----|
| 1  | Notas importantes.....       | 111 |
| 2  | Explicação dos símbolos..... | 111 |
| 3  | Indicações de segurança..... | 112 |
| 4  | Material fornecido.....      | 114 |
| 5  | Acessórios.....              | 115 |
| 6  | Utilização adequada.....     | 116 |
| 7  | Descrição técnica.....       | 117 |
| 8  | Operação.....                | 119 |
| 9  | Limpeza e manutenção.....    | 127 |
| 10 | Resolução de falhas.....     | 130 |
| 11 | Garantia.....                | 133 |
| 12 | Eliminação.....              | 134 |
| 13 | Ficha de dados técnicos..... | 134 |
| 14 | Ficha de dados técnicos..... | 136 |

## 1 Notas importantes

Leia atentamente as presentes instruções e siga todas as instruções, orientações e avisos incluídos neste manual, de modo a garantir a correta instalação, utilização e manutenção do produto. É OBRIGATÓRIO manter estas instruções junto com o produto.

Ao utilizar o produto, está a confirmar que leu atentamente todas as instruções, orientações e avisos, e que compreende e aceita cumprir os termos e condições estabelecidos no presente manual. Aceita utilizar este produto exclusivamente para o fim e a aplicação a que se destina e de acordo com as instruções, orientações e avisos estabelecidos neste manual, assim como de acordo com todas as leis e regulamentos aplicáveis. Caso não leia nem siga as instruções e os avisos aqui estabelecidos, poderá sofrer ferimentos pessoais ou causar ferimentos a terceiros e o produto ou outros materiais nas proximidades poderão ficar danificados. Este manual do produto, incluindo as instruções, orientações e avisos, bem como a documentação relacionada, podem estar sujeitos a alterações e atualizações. Para consultar as informações atualizadas do produto, visite [documents.dometic.com](http://documents.dometic.com).

## 2 Explicação dos símbolos

As palavras de advertência identificam mensagens de segurança e mensagens de danos à propriedade, assim como o grau ou nível de seriedade do perigo.



### PERIGO!

Indica uma situação perigosa que, se não for evitada, resultará em morte ou ferimentos graves.



### AVISO!

Indica uma situação perigosa que, se não for evitada, pode causar a morte ou ferimentos graves.



### PRECAUÇÃO!

Indica uma situação perigosa que, se não for evitada, pode causar ferimentos ligeiros ou moderados.



### NOTA!

Indica uma situação que, se não for evitada, pode causar danos materiais.



**OBSERVAÇÃO** Informações suplementares para a utilização do produto.

## 3 Indicações de segurança

### Princípios básicos de segurança



#### AVISO! Risco de eletrocussão

- > Apenas pessoal qualificado pode executar a montagem e a remoção do frigorífico.
- > Solicite que a instalação em espaços com elevado grau de humidade e áreas expostas a água seja realizada apenas por especialistas.
- > Se instalar o frigorífico dentro de um pavilhão ou ambiente semelhante, certifique-se de que o frigorífico está protegido da chuva e salpicos de água.
- > Não coloque o frigorífico em funcionamento se este apresentar danos visíveis.
- > As reparações neste frigorífico apenas podem ser realizadas por pessoal qualificado. Reparções inadequadas podem levar a perigos graves ou a danos no frigorífico.
- > Se o cabo de alimentação deste frigorífico estiver danificado, terá de ser substituído pelo fabricante, pelo serviço de assistência técnica ou por uma pessoa com qualificações equivalentes, de forma a evitar riscos de segurança.
- > Ao posicionar o frigorífico, certifique-se de que o cabo de alimentação não fica preso nem é danificado.
- > Não coloque tomadas múltiplas ou fontes de alimentação portáteis na parte de trás do frigorífico.
- > Nunca toque em cabos não blindados com as mãos desprotegidas.
- > Ligue o aparelho a tomadas que garantam uma ligação adequada, sobretudo se for necessário instalar o aparelho com ligação à terra.
- > Em caso de funcionamento com rede elétrica, certifique-se de que a fonte de alimentação está protegida por um disjuntor de corrente residual (RCCB) ou por um interruptor de circuito de falha de terra (GFCI). A instalação deve ser realizada de acordo com todos os regulamentos aplicáveis, especialmente em áreas potencialmente húmidas.



#### AVISO! Perigo de incêndio

- > O circuito de refrigeração contém uma pequena quantidade de um refrigerante ecológico, . Este produto não é prejudicial para a camada de ozono e não aumenta o efeito de estufa. Qualquer refrigerante vazado pode incendiar-se.
- > Não utilize nem armazene o frigorífico em espaços confinados com pouco ou nenhum fluxo de ar.
- > Mantenha o entalhe de instalação destinado ao frigorífico livre de componentes elétricos e de fontes de luz que produzam faíscas ou arcos (p. ex., caixas de relés ou fusíveis) durante o seu funcionamento normal ou com anomalias.
- > O isolamento do frigorífico contém ciclopentano inflamável e requer medidas de eliminação especiais. No fim da respetiva vida útil, encaminhe o frigorífico para um centro de reciclagem adequado.



#### AVISO! Perigo de explosão

Não guarde no frigorífico substâncias com risco de explosão, como, por exemplo, latas de aerossóis com gás inflamável.



#### AVISO! Risco para a saúde

- > Este frigorífico pode ser utilizado por crianças a partir dos 8 anos e pessoas com capacidades físicas, sensoriais ou mentais reduzidas ou sem experiência e conhecimento se forem supervisionadas ou receberem instruções sobre a utilização do frigorífico de forma segura e compreenderem os perigos implicados.
- > Crianças com idades entre os 3 e os 8 anos podem encher e esvaziar o frigorífico.
- > A limpeza e a manutenção não podem ser efetuadas por crianças sem supervisão.
- > As crianças devem ser supervisionadas para assegurar que não brincam com o frigorífico.

**AVISO! Risco de as crianças ficarem presas**

- > Certifique-se de que as prateleiras estão instaladas e fixadas para que não seja possível crianças trancarem-se dentro do frigorífico.
- > Antes da eliminação do seu frigorífico usado:
  - Desmonte as gavetas.
  - Deixe ficar as prateleiras no frigorífico para que as crianças não entrem nele.
- > Retire as portas.

**PRECAUÇÃO! Risco para a saúde**

- > Para evitar riscos devido à instabilidade do frigorífico, este tem de ser fixado de acordo com as instruções de montagem.
- > Mantenha as aberturas de ventilação existentes no frigorífico e no respetivo compartimento ou na estrutura encastrada sempre desobstruídas.
- > Não utilize ferramentas mecânicas ou outros meios de acelerar o processo de descongelamento para além dos recomendados pelo fabricante.
- > Não abra nem danifique, em caso algum, o circuito de refrigeração.
- > Não utilize aparelhos elétricos dentro do frigorífico, exceto se estes aparelhos elétricos tiverem sido recomendados para isso pelo fabricante.

**PRECAUÇÃO! Perigo de ferimentos**

- > Não utilize nem armazene materiais inflamáveis neste frigorífico ou nas suas proximidades.
- > Não coloque objetos em cima deste frigorífico nem os encoste ao mesmo.
- > Não modifique este frigorífico.

**NOTA! Risco de danos**

- > Selecione o funcionamento a corrente contínua apenas se o motor do veículo estiver a trabalhar e fornecer tensão suficiente, ou se estiver a utilizar um monitorizador da bateria.
- > Mantenha a abertura de condensação sempre limpa, caso esteja instalada.
- > Ao limpar o veículo, se o frigorífico tiver grelhas de ventilação, não utilize qualquer aparelho de limpeza de alta pressão na zona das grelhas de ventilação.
- > O frigorífico não pode ser exposto à chuva.
- > Nunca retire a ficha da tomada puxando pelo cabo de ligação.

**Segurança durante a utilização do aparelho de refrigeração****PERIGO! Risco de eletrocussão**

Antes de colocar o frigorífico em funcionamento, certifique-se de que a ligação e a ficha estão secas.

**PRECAUÇÃO! Risco para a saúde**

- > Certifique-se de colocar no frigorífico apenas produtos que possam ser refrigerados à temperatura selecionada.
- > Limpe regularmente as superfícies que entram em contacto com alimentos e os sistemas de drenagem acessíveis.
- > Guarde a carne e o peixe crus no frigorífico em recipientes adequados para que não entrem em contacto com outros alimentos nem possam pingar para os mesmos.
- > Abrir a porta durante longos períodos pode provocar um aumento significativo da temperatura nos compartimentos do frigorífico. Se o frigorífico ficar vazio durante longos períodos:
  - Desligue o frigorífico.

- Descongele o frigorífico.
- Limpe e seque o frigorífico.
- Deixe a porta aberta para impedir o crescimento de bolor no interior do frigorífico. Se disponível, coloque a porta do frigorífico e a porta do congelador na posição de Inverno.



### PRECAUÇÃO! Perigo de ferimentos

- > Não mexa no encosto da tampa com os dedos.
- > Antes de iniciar a viagem, feche e bloqueie a porta do frigorífico.
- > O sistema de refrigeração situado na parte posterior do frigorífico aquece muito durante o funcionamento. Se o frigorífico estiver equipado com grelhas de ventilação, proteja-se contra o contacto com peças quentes ao remover as grelhas de ventilação.
- > A porta do aparelho ou do congelador pode soltar-se completamente do aparelho se utilizada incorretamente. Pressione as portas fechadas até ouvir um clique evidente na parte superior e inferior.



### NOTA! Risco de danos

- > Não se apoie na porta do frigorífico aberta.
- > Armazene os objetos pesados como, por exemplo, garrafas ou latas exclusivamente na porta do frigorífico, no tabuleiro para legumes ou na prateleira inferior.
- > Se o frigorífico possuir uma porta dupla e a porta não estiver devidamente trancada do lado oposto, pressione a parte superior e inferior desse lado até que a porta encaixe corretamente.
- > **Perigo de sobreaquecimento!** Certifique-se sempre de que a ventilação é suficiente para que o calor gerado durante o funcionamento seja devidamente dissipado. Certifique-se de que o frigorífico está posicionado a uma distância suficiente de paredes ou objetos de modo a que o ar possa circular.
- > Não verta líquidos nem gelo para o interior.
- > Proteja o frigorífico e o cabo do calor e da humidade.
- > Nunca retire a ficha da tomada puxando pelo cabo de ligação.



### OBSERVAÇÃO

- > Consulte o fabricante do seu veículo para esclarecer se o sistema de gestão de bateria do veículo desliga o frigorífico como medida de proteção da bateria.
- > Para temperaturas ambiente entre 15 °C ... 25 °C, selecione a definição de temperatura média.
- > Se a porta não estiver devidamente trancada do lado oposto, pressione a parte superior e inferior desse lado até que a porta encaixe corretamente.
- > Para evitar desperdício alimentar, observe o seguinte:
  - Mantenha as oscilações de temperatura o mais reduzidas possível. Abra o congelador apenas as vezes que forem necessárias e apenas durante o tempo estritamente necessário. Armazene os géneros alimentícios de modo a que o ar continue a circular bem.
  - Certifique-se de colocar no frigorífico apenas produtos que possam ser refrigerados à temperatura selecionada.
  - Guarde os diferentes tipos de géneros alimentícios de acordo com as figuras.
  - Se for possível ajustar a temperatura: Ajuste a temperatura à quantidade e ao tipo de géneros alimentícios.
  - Os géneros alimentícios podem absorver ou libertar facilmente cheiro ou sabor. Armazene os géneros alimentícios sempre bem cobertos ou em recipientes/garrafas fechadas.

## 4 Material fornecido

| Quantidade | Descrição                  |
|------------|----------------------------|
| 1          | Frigorífico com compressor |



| Quantidade | Descrição                            |
|------------|--------------------------------------|
| 1          | Cotovelo de escoamento               |
| 1          | Manual do utilizador resumido        |
| 1          | Manual de instruções (apenas online) |
| 1          | Instruções de montagem               |

## 5 Acessórios

Disponível como acessório (não incluído no material fornecido):

| Descrição   | N.º art.   |
|---|------------|
| Dobradiça deslizante  | 9620012939 |
| Estrutura de fixação incluindo estrutura inferior                             |            |
| • NRX0035, NRX0050  | 9620012877 |
| • NRX0060   | 9620012881 |
| • NRX0080   | 9620012882 |
| • NRX0115   | 9620012878 |
| • NRX0130   | 9620012876 |
| Estrutura de fixação incluindo estrutura inferior (preta)                     |            |
| • NRX0035, NRX0050  | 9620012874 |
| • NRX0060   | 9620012875 |
| • NRX0080   | 9620012880 |
| • NRX0115   | 9620012879 |
| • NRX0130   | 9620012883 |
| Prateleira de substituição do compartimento para produtos congelados removido |            |
| • NRX0035, NRX0050  | 9620012933 |
| • NRX0060   | 9620012938 |
| • NRX0080   | 9620012935 |
| • NRX0115, NRX0130  | 9620012932 |
| Compartimento para produtos congelados  |            |
| • NRX0035, NRX0050  | 9620012931 |

| Descrição          | N.º art.                           |
|--------------------|------------------------------------|
| • NRX0060          | 9620012936                         |
| • NRX0080          | 9620012934                         |
| • NRX0115, NRX0130 | 9620012937                         |
| Adaptador CA/CC    | 9620013449 (EU)<br>9620013450 (UK) |

## 6 Utilização adequada

O frigorífico é adequado para:

- Instalar em caravanas, autocaravanas, embarcações e camiões
- Refrigerar e armazenar alimentos
- **Apenas NRX0035–0130(C/S):** Armazenar alimentos pré-congelados
- Utilização em interiores

Este frigorífico não é adequado para aplicações comerciais, domésticas ou de comércio grossista.

O frigorífico **não** é adequado para:

- Armazenar medicamentos
- Armazenar substâncias corrosivas ou substâncias que contenham solventes
- Congelar rapidamente alimentos
- Utilização exterior

Quando utilizado em embarcações, o aparelho deve ser instalado numa área da sala de estar e não num convés aberto.

O compartimento para produtos congelados é adequado para armazenar alimentos pré-congelados, armazenar ou fazer gelado e fazer cubos de gelo. Não se destina a congelar alimentos previamente descongelados.

O frigorífico está concebido para a instalação num móvel ou num nicho de instalação.

O desempenho de refrigeração ideal é fornecido a temperaturas ambiente entre 16 °C ... 43 °C e a uma humidade máxima de 90 % .

Este produto destina-se exclusivamente à aplicação e aos fins pretendidos com base nestas instruções.

Este manual fornece informações necessárias para proceder a uma instalação e/ou a uma operação adequadas do produto. Uma instalação e/ou uma operação ou manutenção incorretas causarão um desempenho insatisfatório e uma possível avaria.

O fabricante não aceita qualquer responsabilidade por danos ou prejuízos no produto resultantes de:

- Instalação, montagem ou ligação incorretas, incluindo sobretensões
- Manutenção incorreta ou utilização de peças sobressalentes não originais fornecidas pelo fabricante
- Alterações ao produto sem autorização expressa do fabricante
- Utilização para outras finalidades que não as descritas no presente manual

A Dometic reserva-se o direito de alterar o design e as especificações do produto.

## 7 Descrição técnica

O frigorífico é um frigorífico de compressor.

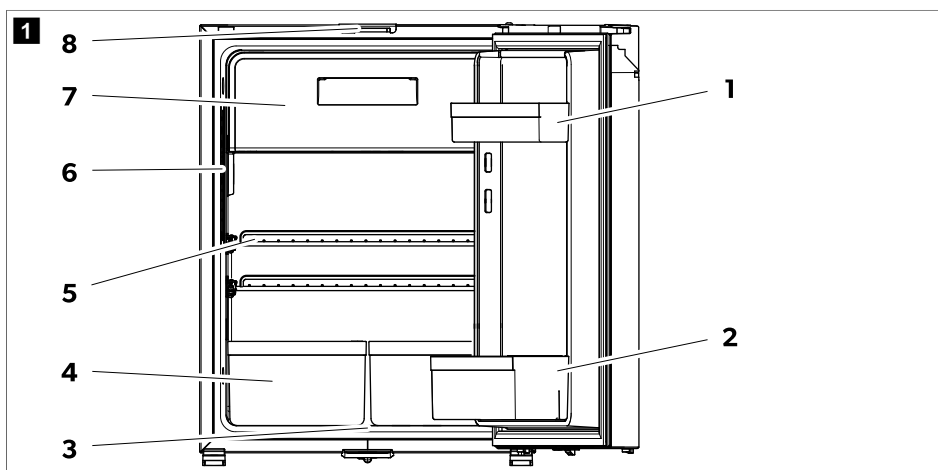
O frigorífico foi concebido para funcionar com diferentes tipos de energia e pode funcionar com corrente alternada ou corrente contínua.

NRX0035-0130(C/S): Este modelo está equipado de fábrica com um compartimento para produtos congelados que pode ser removido ou novamente instalado.

A porta do frigorífico dispõe de um mecanismo de trinco que serve também como dispositivo de segurança de transporte.

Todos os materiais utilizados no frigorífico são seguros para géneros alimentícios.

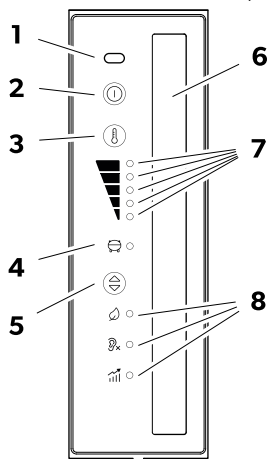
### Designação do aparelho



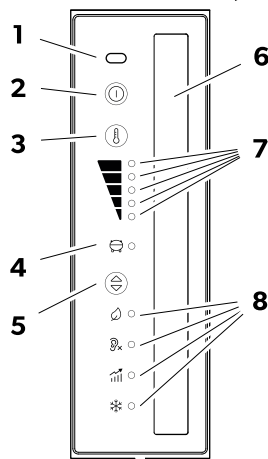
| N.º | Explicação  |
|-----|---|
| 1   | Prateleira de porta (apenas NRX0035-0130[C/S], NRX0080-0130[E])   |
| 2   | Prateleira para garrafas  |
| 3   | Escoamento da água de condensação                                 |
| 4   | Gaveta de legumes (apenas NRX0035-0130[C/S])                      |
| 5   | Prateleira  |
| 6   | Painel de comando com display                                     |
| 7   | Compartimento para produtos congelados (apenas NRX0035-0130[C/S]) |
| 8   | Trinco da porta para ventilação                                   |






## Elementos de comando e de indicação

## 2 NRX0035 – 0130 (E)



## NRX0035 – 0130 (C/S)



| N.º | Explicação  |
|-----|---|
| 1   | Sensor de abertura da porta IV  |
| 2   | ⏻ Botão de ligar/desligar   |
| 3   | ⓘ Botão de configuração do nível de refrigeração  |
| 4   | LED indicador de erro e do compressor   |
| 5   | ⊞ Botão do modo de funcionamento  |
| 6   | Iluminação interior   |
| 7   | LED indicadores do nível de refrigeração <ul style="list-style-type: none"> <li> Nível de refrigeração 5</li> <li> Nível de refrigeração 4</li> <li> Nível de refrigeração 3</li> <li> Nível de refrigeração 2</li> <li> Nível de refrigeração 1</li> </ul> |
| 8   | LED indicadores do modo de funcionamento  |





## LED indicador de erro e do compressor

O LED indicador de erro e do compressor indica o estado operacional do compressor ou a existência de um erro:

| Color                  | Descrição   |
|------------------------|---|
| Branco                 | Compressor ligado   |
| Laranja                | Compressor desligado  |
| Laranja (intermitente) | Erro (consulte o capítulo Indicação de erros na página 133) |

## LED indicadores do modo de funcionamento

Os LED indicadores do modo de funcionamento indicam as seguintes opções de configuração:

| Símbolo   | Descrição   |
|---|---|
|  | Modo ECO:<br>Funcionamento com consumo de energia reduzido.<br>Nível de refrigeração 1 – 3  |
|  | Modo QUIET:<br>Funcionamento com nível de ruído reduzido.<br>Nível de refrigeração 1 – 4  |
|  | Modo PERFORMANCE:<br>Nível de refrigeração 1 – 5  |
|  | Modo FREEZER (apenas NRX0035–0130[C/S]):<br>Funcionamento com o compartimento para produtos congelados removido. Arrefece todo o interior do frigorífico para –6 °C . |

## 8 Operação

### 8.1 Antes da primeira utilização

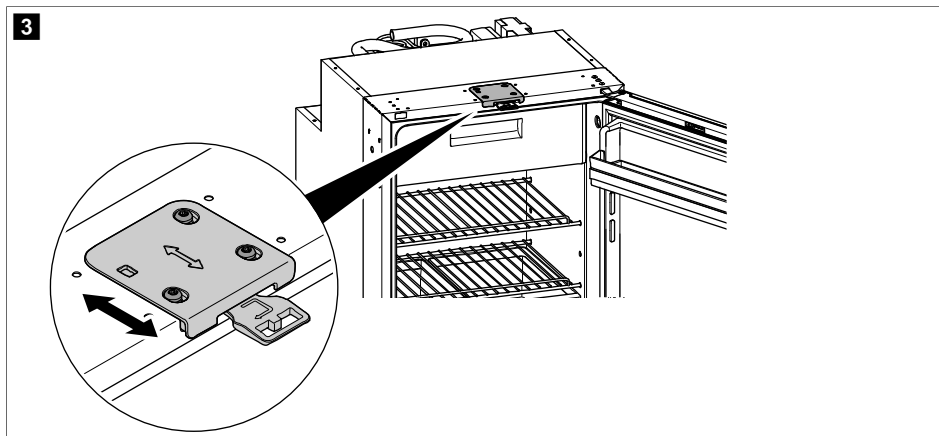


#### OBSERVAÇÃO

- > Não armazene alimentos no frigorífico durante as primeiras 4 horas após a colocação em funcionamento.
- > Ao utilizar o frigorífico pela primeira vez, poderá ocorrer a formação de um ligeiro odor que se dissipará após algumas horas. Areje bem o habitáculo.
- > A potência de refrigeração pode ser afetada pelos seguintes fatores:
  - Temperatura ambiente (por ex., quando o veículo está exposto à luz solar direta)
  - Quantidade de alimentos a refrigerar
  - Frequência de abertura da porta
- > Por questões de higiene, limpe o interior do frigorífico (consulte Limpeza e manutenção na página 127).
- > Estacione o veículo na horizontal, especialmente durante a primeira colocação em funcionamento e o enchimento do frigorífico antes de iniciar uma viagem.

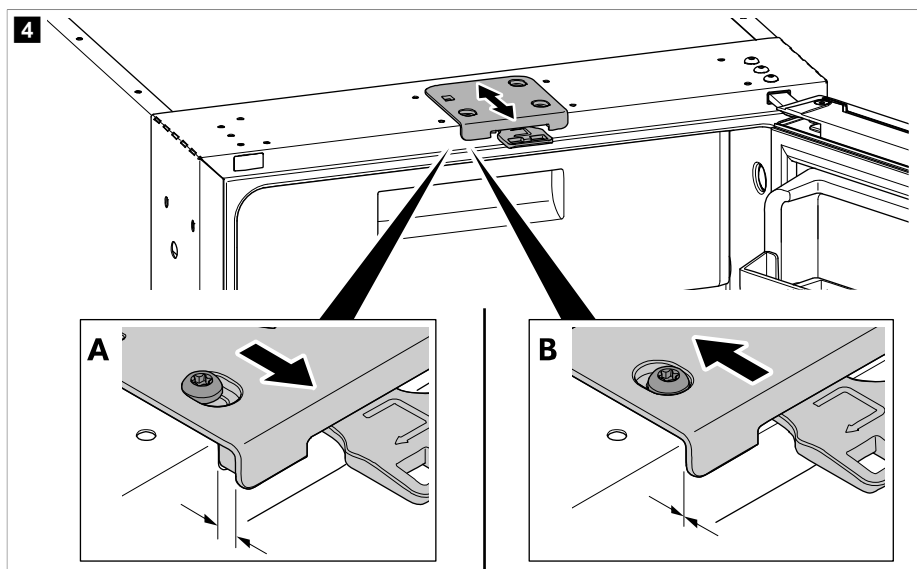
#### 8.1.1 Ajustar o trinco da porta

O trinco da porta na parte superior do frigorífico pode ser ajustado para regular a largura de fecho da porta.



**i** **OBSERVAÇÃO** Verifique se o trinco da porta ajustável está instalado. Se necessário, encomende o trinco ajustável da porta ([dometic.com](http://dometic.com)) e substitua o trinco da porta fixo pelo trinco da porta ajustável.

> O trinco da porta está predefinido de fábrica na posição **A**. Mova o trinco da porta para a posição **B**.



**i** **OBSERVAÇÃO** Se o trinco da porta estiver na posição **B**, certifique-se de que a porta tranca corretamente ao fechar (consulte o capítulo Fechar e fixar a porta do frigorífico na página 122).

## 8.2 Informações sobre o armazenamento de alimentos



### PRECAUÇÃO! Risco para a saúde

Se o frigorífico for exposto a uma temperatura ambiente inferior a 10 °C durante um período de tempo prolongado, não é possível garantir a regulação da temperatura do compartimento para produtos congelados. Isto pode causar o aumento da temperatura do compartimento para produtos congelados e o descongelamento dos alimentos armazenados.

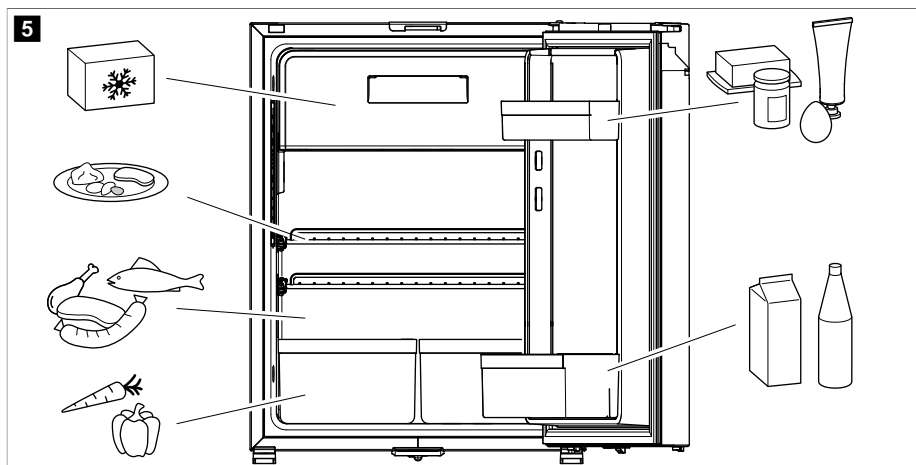


### NOTA! Risco de danos

- > Ao encher o frigorífico, tenha em atenção a carga máxima de cada prateleira de porta e da porta (consulte Ficha de dados técnicos na página 134).
- > Não guarde bebidas com gás no compartimento para produtos congelados.

Para evitar desperdício alimentar, observe o seguinte:

- Mantenha as oscilações de temperatura o mais reduzidas possível. Abra o frigorífico apenas as vezes que forem necessárias e apenas durante o tempo estritamente necessário. Armazene os géneros alimentícios de modo a que o ar continue a circular bem.
  - Ajuste a temperatura à quantidade e ao tipo de géneros alimentícios.
  - Guarde os diferentes tipos de géneros alimentícios de acordo com as figuras.
  - Os géneros alimentícios podem absorver ou libertar facilmente cheiro ou sabor. Armazene os géneros alimentícios sempre bem cobertos ou em recipientes/garrafas fechadas.
- > Armazene os alimentos conforme ilustrado.



## 8.3 Poupar energia

- Abra o frigorífico apenas as vezes que forem necessárias e apenas durante o tempo estritamente necessário.
- Primeiro, deixe as refeições quentes arrefecer antes de as refrigerar no aparelho.
- Descongele o frigorífico assim que se formar uma camada de gelo.
- Evite temperaturas internas desnecessariamente baixas.
- Para um consumo de energia otimizado, posicione as prateleiras e as gavetas na posição original de entrega.
- Certifique-se regularmente de que a vedação da porta ainda está corretamente encaixada.
- Limpe o pó e a sujidade do condensador regularmente.

## 8.4 Utilizar a porta do frigorífico



### PRECAUÇÃO! Perigo de ferimentos

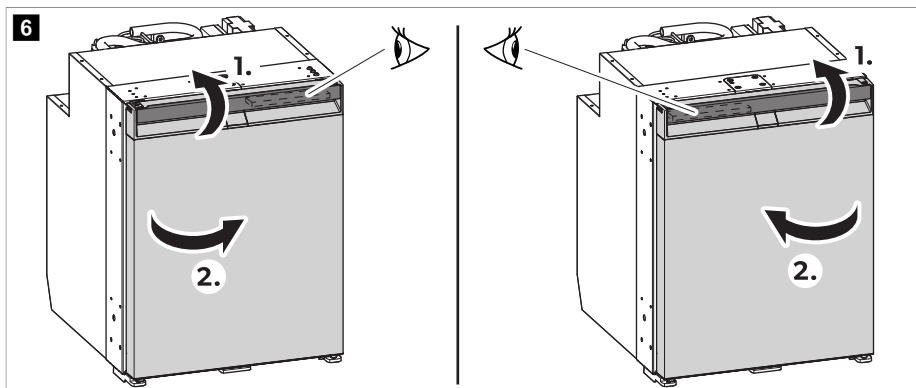
A porta do frigorífico e a porta do compartimento para produtos congelados podem soltar-se completamente do aparelho se forem utilizadas incorretamente.

### 8.4.1 Abrir a porta do frigorífico



**OBSERVAÇÃO** Certifique-se de puxar a pega no lado oposto do batente da porta. Anote a respetiva posição da patilha deslizante. Consulte as instruções de montagem relevantes.

> Para abrir a porta do frigorífico, proceda conforme ilustrado.



### 8.4.2 Fechar e fixar a porta do frigorífico



### PRECAUÇÃO! Perigo de ferimentos

Se a porta não estiver devidamente fixada, pressione cuidadosamente a parte superior e a parte inferior da porta até que esta fique corretamente fixada.

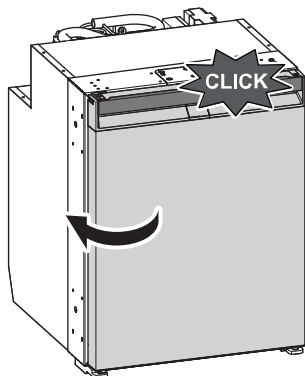


**OBSERVAÇÃO** A porta do frigorífico dispõe de um mecanismo de trinco que também é utilizado como dispositivo de segurança de transporte.



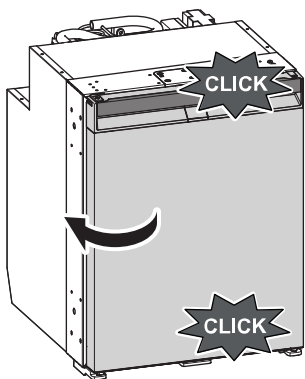
- > NRX0035-0130(E): Feche a porta pressionando até ouvir claramente um clique na parte superior.

## 7 NRX0035 – 0130 (E)



- > NRX0035-0130(C/S): Pressione a porta fechada até ouvir claramente um clique na parte superior e inferior.

## 8 NRX0035 – 0130 (C/S)





- ✓ A porta está então fechada e fixada.

### 8.5 Ligar e desligar



**OBSERVAÇÃO** Desligue sempre o frigorífico se não for utilizado durante um período de tempo prolongado.

- > Para ligar, prima o botão  e mantenha-o premido durante pelo menos 2 s .
- ✓ O frigorífico liga-se com o último nível de refrigeração e o último modo de funcionamento selecionados.
- > Para desligar, prima o botão  e mantenha-o premido durante pelo menos 2 s .

## 8.6 Configurar os modos de funcionamento



**OBSERVAÇÃO** Ao utilizar o modo ECO, PERFORMANCE ou FREEZER, o sistema mantém-se neste modo até serem efetuadas mais alterações.

- > Para configurar o modo de funcionamento, prima repetidamente o botão  até acender o LED indicador do modo de funcionamento pretendido.

Estão disponíveis os seguintes modos de funcionamento:

### Utilizar o modo ECO

Com o modo ECO ativado, o frigorífico funciona com consumo de energia reduzido nos níveis de refrigeração 1 – 3.


- ✓ O LED indicador do modo de funcionamento referente ao modo ECO () e o LED indicador do nível de refrigeração selecionado acendem-se.

### Utilizar o modo QUIET

Com o modo QUIET ativado, o frigorífico funciona com um nível de ruído reduzido nos níveis de refrigeração 1 – 4.




#### OBSERVAÇÃO

- > O modo QUIET não está disponível se o frigorífico estiver a funcionar em modo FREEZER.
- > Se utilizar o modo QUIET, o frigorífico manter-se-á neste modo durante 8 h, regressando em seguida ao modo selecionado anteriormente (modo ECO ou PERFORMANCE).
- ✓ O LED indicador do modo de funcionamento referente ao modo QUIET () e o LED indicador do nível de refrigeração selecionado acendem-se.

### Utilizar o modo PERFORMANCE

Com o modo PERFORMANCE ativado, o frigorífico funciona no modo standard nos níveis de refrigeração 1 – 5.


- ✓ O LED indicador do modo de funcionamento referente ao modo PERFORMANCE () e o LED indicador do nível de refrigeração selecionado acendem-se.

### Utilizar o modo FREEZER

Com o modo FREEZER ativado, todo o interior do frigorífico é arrefecido até  $-6^{\circ}\text{C}$ .



**OBSERVAÇÃO** Retire o compartimento para produtos congelados para utilizar o modo FREEZER.

- ✓ O LED indicador do modo de funcionamento referente ao modo FREEZER () e todos os LED indicadores do nível de refrigeração acendem-se de modo contínuo.

## 8.7 Configurar o nível de refrigeração

- > Para definir o nível de refrigeração, prima repetidamente o botão  até atingir o nível de refrigeração pretendido.

## 8.8 Reposicionar as prateleiras



### AVISO! Risco de as crianças ficarem presas

NRX0060-0130: As prateleiras são fixadas de forma a impedir que crianças subam para o interior do frigorífico.

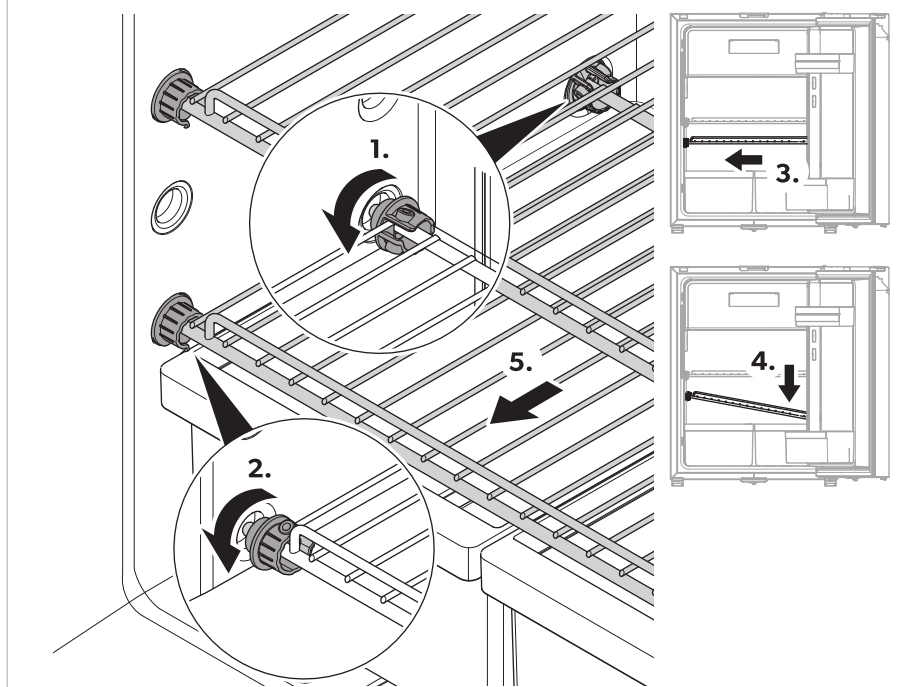
- > Remova as prateleiras apenas para fins de limpeza.
- > Volte a colocar as prateleiras e fixe-as no lugar.



**OBSERVAÇÃO** Remova o compartimento para produtos congelados antes de voltar a posicionar as prateleiras, de modo a facilitar o acesso aos botões rotativos traseiros das prateleiras.

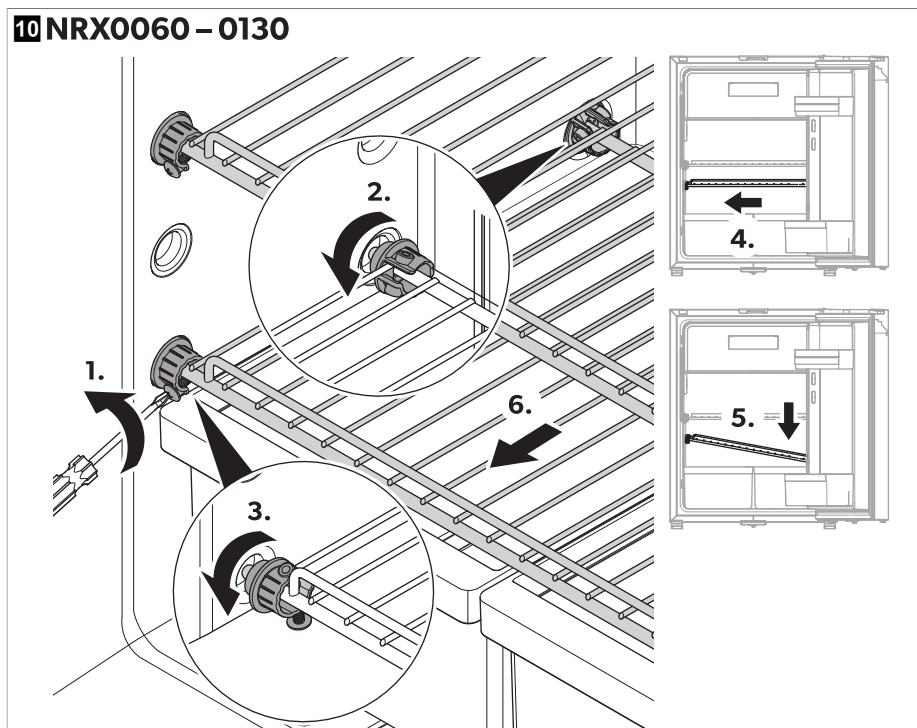
- > **NRX0035-0050:** para posicionar novamente as prateleiras, proceda conforme ilustrado.

### 9 NRX0035 – 0050



- > **NRX0035-0050:** Para posicionar novamente as prateleiras, proceda conforme ilustrado.

## 10 NRX0060 – 0130



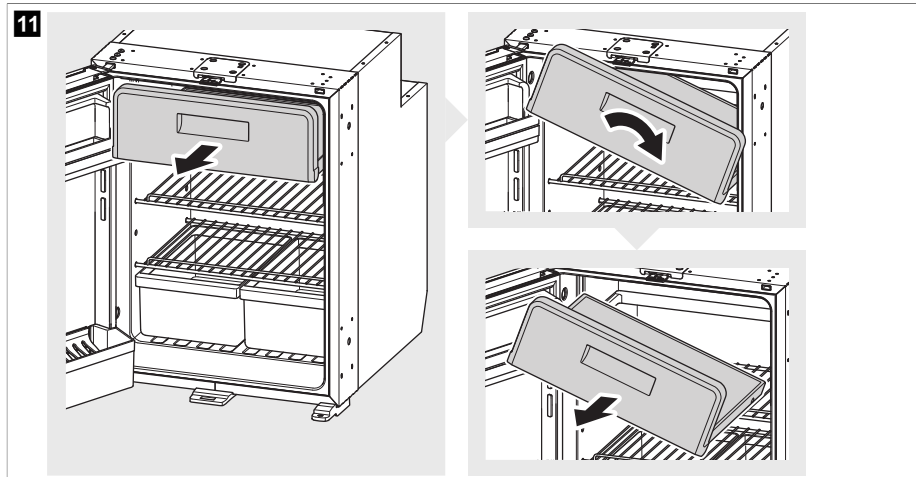
### 8.9 Remover o compartimento para produtos congelados



#### NOTA! Risco de danos

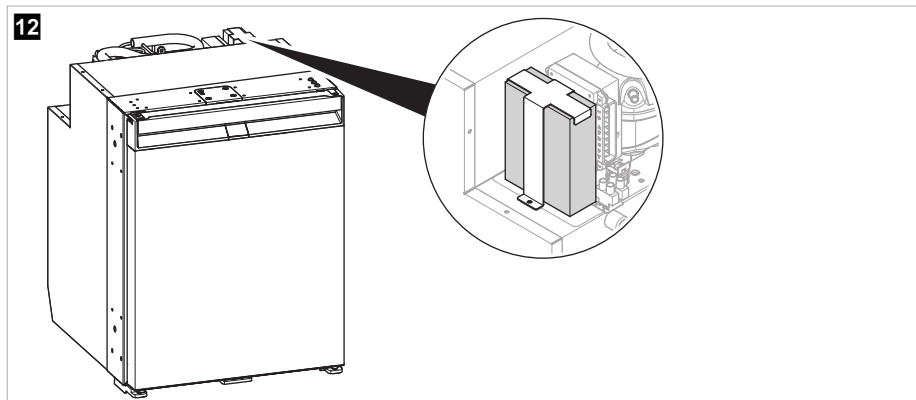
- > Feche a porta do compartimento para produtos congelados para o retirar.
- > Pegue no compartimento para produtos congelados pela parte de baixo. Não puxe pela porta do compartimento para produtos congelados.
- > Guarde o compartimento para produtos congelados num local seco e seguro.

- > Para remover o compartimento para produtos congelados, proceda conforme ilustrado.



## 8.10 Instalar o adaptador CA/CC

- > Para instalar o adaptador CA/CC (acessórios), proceda conforme ilustrado.



## 9 Limpeza e manutenção



### AVISO! Risco de eletrocussão

Desligue sempre o frigorífico da fonte de energia antes de efetuar quaisquer trabalhos de limpeza e manutenção.



### NOTA! Risco de danos

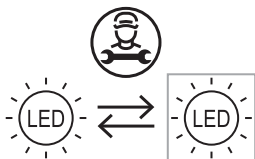
> Não utilize utensílios de limpeza abrasivos nem objetos duros ao limpar.

- > Nunca utilize ferramentas duras ou pontiagudas para retirar camadas de gelo ou para libertar objetos congelados.
- > Assegure que não pinga água para as vedações. Tal poderá danificar o sistema eletrônico.



**NOTA! Risco de danos**

Para evitar quaisquer perigos, a fonte de luz só pode ser substituída pelo fabricante, por um agente de assistência técnica ou por uma pessoa com qualificação semelhante.



- > Limpe o interior e o exterior do frigorífico com um pano húmido regularmente e sempre que fique sujo. Seque o frigorífico com um pano após a limpeza.
- > Verifique regularmente o escoamento do condensado.  
Limpe o escoamento do condensado sempre que necessário. Se este estiver entupido, o condensado acumula-se no fundo do frigorífico.
- > Limpe regularmente o pó e a sujidade do condensador com um pano húmido.

### Circuito de refrigeração

O circuito de refrigeração não necessita de manutenção.

### Descongela o frigorífico



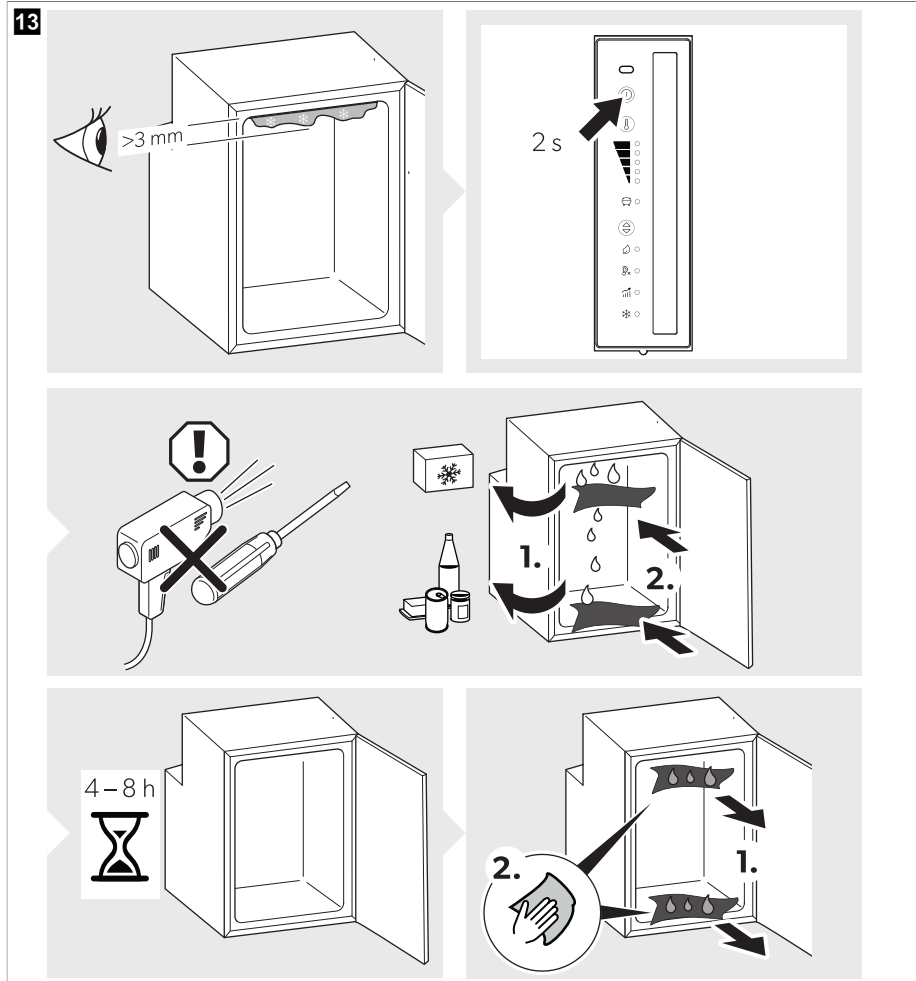
**NOTA! Risco de danos**

Não utilize ferramentas mecânicas ou qualquer outro tipo de ferramentas para acelerar o processo de descongelamento.



**OBSERVAÇÃO** Com o tempo, forma-se gelo na parede traseira no interior do frigorífico. Se essa camada de gelo atingir cerca de 3 mm de espessura, descongele o frigorífico.

> Para descongelar o frigorífico, proceda conforme ilustrado.



### Colocar a porta do frigorífico na posição de armazenamento



#### **PRECAUÇÃO! Perigo de ferimentos**

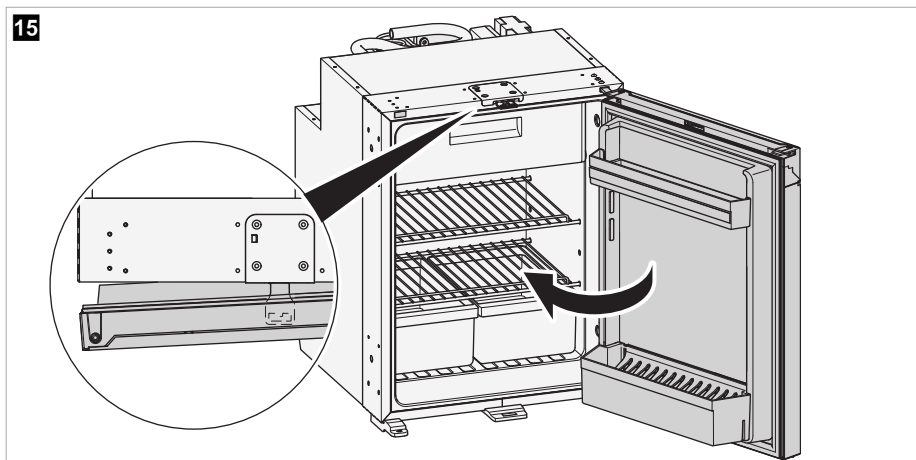
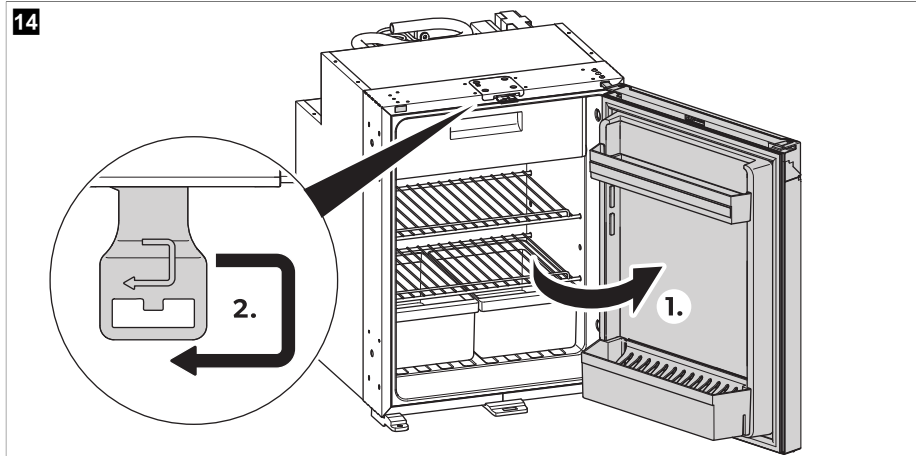
A porta do frigorífico não pode ser utilizada durante a condução.



**OBSERVAÇÃO** Coloque a porta do frigorífico na posição de armazenamento se prever que não vai utilizar o aparelho durante um longo período de tempo. Assim, evita-se a formação de bolor.

> Descongele o frigorífico (consulte Descongelar o frigorífico na página 128).

- > Coloque a porta do frigorífico na posição de armazenamento conforme ilustrado.



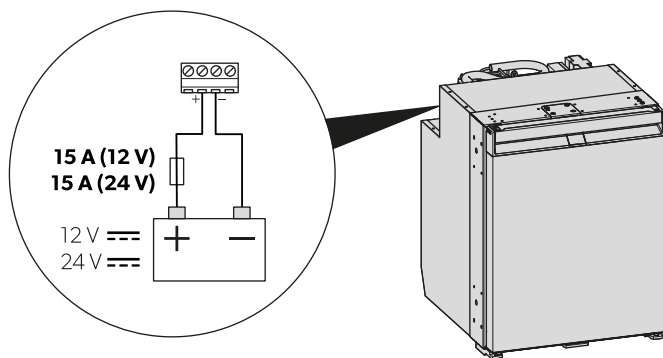
## 10 Resolução de falhas




**OBSERVAÇÃO** Para operar de forma segura os consumidores de 12 V na caravana durante a condução, há que garantir que o trator fornece uma tensão suficiente. Em alguns veículos, o sistema de gestão da bateria pode desligar automaticamente os consumidores para proteger a bateria do veículo. Informe-se junto do fabricante do seu veículo.



16



| Falha  | Possível causa  | Sugestão de solução  |
|--|---|--|
| O frigorífico não funciona.  | O fusível no cabo de corrente contínua está queimado.   | > Substitua o fusível (  fig. 16 na página 131).  |
|  | O fusível do veículo está queimado.   | > Substitua o fusível do veículo.<br>Consulte o manual de instruções do seu veículo.   |
|  | A bateria do veículo está descarregada.   | > Verifique a bateria e carregue-a.  |
|  | A ignição não está ligada.  | > Ligue a ignição.   |
|  | A temperatura do compressor é demasiado baixa ( $< 0^{\circ}\text{C}$ ).  | > Feche/cubra completamente todas as grelhas de ventilação externas com material isolante.   |
|  | O frigorífico desliga automaticamente se a tensão não for suficiente.<br>(Tensão de desconexão: 10,4 V $\equiv$ ) | > Carregue a bateria. O frigorífico ligar-se-á automaticamente.<br>(Tensão de ligação: 11,7 V $\equiv$ )   |
| A capacidade de refrigeração diminui, a temperatura interior sobe. O compressor está sempre a funcionar. | A ventilação à volta da unidade é insuficiente.   | > Verifique se a grelha de ventilação está desobstruída.<br>> Mude o frigorífico para outro local.   |
|  | As paredes interiores têm gelo.   | > Verifique se a porta do frigorífico fecha de forma correta.<br>> Assegure que a vedação do frigorífico está devidamente encaixada e não apresenta danos.<br>> Descongele o frigorífico (consulte Descongelar o frigorífico na página 128). |
|  | A temperatura definida é demasiado elevada.   | > Defina uma temperatura mais baixa.   |
|  | A temperatura ambiente é demasiado elevada.   | > Remova temporariamente a grelha de ventilação para que o ar quente se dissipe mais rapidamente.  |
|  | Foram colocados demasiados alimentos no frigorífico de uma só vez.  | > Retire alguns dos alimentos.   |

| Falha   | Possível causa   | Sugestão de solução   |
|---|--|---|
|   | Foram colocados demasiados alimentos quentes no frigorífico de uma só vez.                   | > Remova os alimentos quentes e deixe-os arrefecer antes de os colocar novamente dentro do frigorífico. |
|   | O frigorífico não funciona há muito tempo.   | > Verifique novamente a temperatura após 4 h / 5 h .  |
|   | O condensador está sujo.   | > Limpe o condensador (consulte o capítulo Limpeza e manutenção na página 127).                         |
|   | O ventilador está danificado.  | > Contacte um agente de assistência técnica autorizado.   |
| A capacidade de refrigeração diminui, a temperatura interior sobe.<br><br>O compressor raramente funciona.                        | A capacidade da bateria está esgotada.   | > Carregar a bateria.   |
| A capacidade de refrigeração diminui, a temperatura interior sobe.<br><br>O compressor não funciona (ligação à bateria).          | Existe uma interrupção na ligação entre a bateria e o sistema eletrónico.                    | > Estabelecer a ligação.  |
|   | O interruptor principal está avariado (se estiver instalado).                                | > Substituir o interruptor principal.   |
|   | O fusível adicional na linha de alimentação está queimado (se estiver instalado).            | > Substituir o fusível na linha de alimentação.   |
|   | A tensão da bateria é demasiado baixa.   | > Carregar a bateria.   |
|   | A capacidade da bateria é demasiado baixa.   | > Substitua a bateria.  |
|   | Os cabos estão soltos.<br>O contacto é mau (corrosão).                                       | > Estabelecer a ligação.  |
|   | A secção transversal do cabo é demasiado pequena.  | > Substituir o cabo.  |
|   | O compressor está avariado.  | > Contacte um agente de assistência técnica autorizado.   |
| A capacidade de refrigeração diminui, a temperatura interior sobe.<br><br>O compressor não funciona (ligação à tensão alternada). | A linha de alimentação da conexão está interrompida.   | > Estabelecer a ligação.  |
|   | O interruptor principal está avariado (se estiver instalado).                                | > Substituir o interruptor principal.   |
|   | O fusível adicional na linha de alimentação está queimado (se estiver instalado).            | > Substituir o fusível na linha de alimentação.   |
|   | O compressor está avariado.  | > Contacte um agente de assistência técnica autorizado.   |
| Ruídos não habituais.   | Um componente do circuito de refrigeração não consegue mover-se livremente (toca na parede). | > Afaste cuidadosamente o componente da obstrução.  |
|   | Objeto estranho preso entre a unidade de refrigeração e a parede.                            | > Remova o objeto estranho.   |
|   | Ruído do ventilador.   | > Contacte um agente de assistência técnica autorizado.   |

| Falha   | Possível causa   | Sugestão de solução   |
|---|--|---|
| A porta abre-se inadvertidamente em movimentação (por exemplo, durante a condução). | O trinco da porta está na posição <b>A</b> (consulte o capítulo Ajustar o trinco da porta na página 119).  | > Coloque o trinco da porta na posição <b>B</b> .             |
| A porta não fecha corretamente.   | O trinco da porta está na posição <b>A</b> (consulte o capítulo Ajustar o trinco da porta na página 119).  | > Coloque o trinco da porta na posição <b>B</b> .             |
|   | O trinco da porta está na posição <b>B</b> (consulte o capítulo Ajustar o trinco da porta na página 119), mas a porta não está devidamente trancada. | > Certifique-se de que a porta tranca corretamente ao fechar. |

## Indicação de erros



### OBSERVAÇÃO

- > Todos os erros são indicados pelo LED indicador de erro laranja intermitente (consulte Elementos de comando e de indicação na página 118). O número de vezes que este pisca depende do tipo de falha. Cada impulso luminoso dura um quarto de segundo. Após a sequência de impulsos luminosos, segue-se uma pausa. A sequência para a falha é repetida a cada quatro segundos.
- > Nos modos ECO, PERFORMANCE e FREEZER, o dispositivo emite um sinal sonoro adicional.

| Frequência de intermitência luminosa | Erro                                      | Possível causa   |
|--------------------------------------|---|--|
| 1                                    | Tensão excessiva ou insuficiente          | A tensão de alimentação está fora do intervalo configurado.  |
| 2                                    | Sobrecarga do ventilador                  | O ventilador carrega a unidade de eletrônica com mais de 1 A.  |
| 3                                    | O motor não arranca                       | O rotor está bloqueado.<br>A diferença de pressão no sistema de refrigeração é demasiado elevada.  |
| 4                                    | A rotação é demasiado baixa               | Se o sistema de refrigeração estiver sobrecarregado, não é possível manter a rotação mínima do motor.                                    |
| 5                                    | Sobreaquecimento da unidade de eletrônica | Se o sistema de refrigeração estiver demasiado sobrecarregado ou a temperatura demasiado elevada, o sistema eletrônico aquece demasiado. |
| Permanentemente                      | Erros do sensor de temperatura            | O sensor da temperatura está avariado.   |

## 11 Garantia

Aplica-se o prazo de garantia legal. Se o produto apresentar defeitos, contacte a filial do fabricante no seu país (consulte [dometic.com/dealer](http://dometic.com/dealer)) ou o seu distribuidor.

Para fins de reparação ou de garantia, terá de enviar também os seguintes documentos:

- Uma cópia da fatura com a data de aquisição
- Um motivo de reclamação ou uma descrição da falha

Tenha em atenção que as reparações feitas por si ou por não profissionais podem ter consequências sobre a segurança e anular a garantia.

## 12 Eliminação



### NOTA! Risco de danos

O isolamento do aparelho de refrigeração contém ciclopentano inflamável e requer medidas de eliminação especiais. No fim da respetiva vida útil, encaminhe o aparelho de refrigeração para um centro de reciclagem adequado.



Sempre que possível, coloque o material de embalagem no respetivo contentor de reciclagem. Informe-se junto do centro de reciclagem ou distribuidor mais próximo sobre como eliminar este produto de acordo com as disposições de eliminação aplicáveis. Europa: O produto pode ser eliminado gratuitamente.

## 13 Ficha de dados técnicos

Para consultar a Declaração de Conformidade UE atual para o seu dispositivo, aceda à página do produto em questão em [dometic.com](http://dometic.com) ou entre diretamente em contacto com o fabricante (consulte [dometic.com/dealer](http://dometic.com/dealer)).

Este aparelho está em conformidade com o Regulamento UNECE R10.

|  | NRX0035(E/C/S) | NRX0050(E/C/S) | NRX0060(E/C/S) |
|--|----------------|----------------|----------------|
| Volume   |                |                |                |
| • Compartimento do frigorífico (apenas NRX0035-0130[C/S])            | 27,3 L         | 39,6 L         | 48,9 L         |
| • Compartimento para produtos congelados (apenas NRX0035-0130[C/S])  | 4,4 L          | 4,4 L          | 6,1 L          |
| • Capacidade total   | 32 L           | 44 L           | 55 L           |
| • Capacidade total (compartimento para produtos congelados removido) | 34 L           | 46 L           | 58 L           |
| Tensão de ligação  |                | 12 / 24 V==    |                |
| Proteção da bateria de alimentação (12 V)                            |                |                |                |
| • Tensão de desconexão   |                | 10,4 V         |                |
| • Tensão de restabelecimento da conexão                              |                | 11,7 V         |                |
| Proteção da bateria de alimentação (24 V)                            |                |                |                |
| • Tensão de desconexão   |                | 22,8 V         |                |
| • Tensão de restabelecimento da conexão                              |                | 24,2 V         |                |
| Classe climática   |                | T              |                |
| Intervalo de temperatura de armazenamento:                           |                |                |                |

|   | NRX0035(E/C/S)   | NRX0050(E/C/S)                              | NRX0060(E/C/S)                |
|---|--|---|-------------------------------|
| <ul style="list-style-type: none"> <li>• Frigorífico</li> <li>• Compartimento para produtos congelados (apenas NRX0035-0130[C/S])</li> <li>• Modo FREEZER (apenas NRX0035-0130[C/S])</li> </ul> |  | 0 °C ... 12 °C<br>-15 °C ... -5 °C<br>-6 °C |                               |
| Temperatura ambiente com a utilização prevista  |  | 16 °C ... 43 °C                             |                               |
| Refrigerante  |  | R134a                                       |                               |
| Quantidade de líquido refrigerante existente  | 24 g   | 26 g  | 30 g                          |
| Equivalente a CO2   | 0,034 t  | 0,037 t                                     | 0,043 t                       |
| Potencial de aquecimento global (PAG)   |  | 1430  |                               |
| Emissão de ruído (EN 60704)   |  | 40 ... 45 dB(A)                             |                               |
| Dimensões A x L x P   | 525 × 380 × 355 mm<br>(sem compressor e espaçador)<br>525 mm × 380 mm × 480 mm<br>(com compressor e espaçador) | 525 mm × 380 mm × 510 mm                    | 525 mm × 448 mm × 537 mm      |
| Peso líquido  | E: 13,5 kg<br>C, S: 16 kg  | E: 14,5 kg<br>C, S: 17 kg                   | E: 16 kg<br>C, S: 17 kg       |
| Carga máxima  |  |   |                               |
| <ul style="list-style-type: none"> <li>• Por prateleira de porta</li> <li>• Por porta</li> </ul>  | 4 kg<br>E: 4 kg<br>C/S: 8 kg   | 4 kg<br>E: 4 kg<br>C/S: 8 kg                | 5 kg<br>E: 5 kg<br>C/S: 10 kg |

|  | NRX0080(E/C/S) | NRX0115(E/C/S)          | NRX0130(E/C/S) |
|--|----------------|-------------------------|----------------|
| Volume   |                |                         |                |
| <ul style="list-style-type: none"> <li>• Compartimento do frigorífico (apenas NRX0035-0130[C/S])</li> </ul>            | 68,4 L         | 104,5 L                 | 118 L          |
| <ul style="list-style-type: none"> <li>• Compartimento para produtos congelados (apenas NRX0035-0130[C/S])</li> </ul>  | 6,6 L          | 8,2 L                   | 8,2 L          |
| <ul style="list-style-type: none"> <li>• Capacidade total</li> </ul>   | 75 L           | 113 L                   | 126 L          |
| <ul style="list-style-type: none"> <li>• Capacidade total (compartimento para produtos congelados removido)</li> </ul> | 78 L           | 116 L                   | 130 L          |
| Tensão de ligação  |                | 12 / 24 V <sup>==</sup> |                |

|   | NRX0080(E/C/S)          | NRX0115(E/C/S)          | NRX0130(E/C/S)          |
|---|-------------------------|-------------------------|-------------------------|
| Proteção da bateria de alimentação (12 V)                           |                         |                         |                         |
| • Tensão de desconexão  |                         | 10,4 V                  |                         |
| • Tensão de restabelecimento da conexão                             |                         | 11,7 V                  |                         |
| Proteção da bateria de alimentação (24 V)                           |                         |                         |                         |
| • Tensão de desconexão  |                         | 22,8 V                  |                         |
| • Tensão de restabelecimento da conexão                             |                         | 24,2 V                  |                         |
| Classe climática  | T                       |                         |                         |
| Intervalo de temperatura de armazenamento                           |                         |                         |                         |
| • Frigorífico   | 0 °C ... 12 °C          |                         |                         |
| • Compartimento para produtos congelados (apenas NRX0035-0130[C/S]) | -15 °C ... -5 °C        |                         |                         |
| • Modo FREEZER (apenas NRX0035-0130C/S)                             | -6 °C                   |                         |                         |
| Temperatura ambiente com a utilização prevista                      | 16 °C ... 43 °C         |                         |                         |
| Refrigerante  | R134a                   |                         |                         |
| Quantidade de líquido refrigerante existente                        | 32 g                    | 40 g                    | 40 g                    |
| Equivalente a CO2   | 0,046 t                 | 0,057 t                 | 0,057 t                 |
| Potencial de aquecimento global (PAG)                               | 1430                    |                         |                         |
| Emissão de ruído (EN 60704)   | 40 ... 45 dB(A)         |                         |                         |
| Dimensões A x L x P   | 625 × 475 × 537 mm      | 745 × 525 × 568 mm      | 812 × 525 × 568 mm      |
| Peso líquido  | C, S: 20 kg<br>E: 18 kg | C, S: 26 kg<br>E: 24 kg | C, S: 27 kg<br>E: 25 kg |
| Carga máxima  |                         |                         |                         |
| • Por prateleira de porta   | 5 kg                    | 6 kg                    | 6 kg                    |
| • Por porta   | 10 kg                   | E: 12 kg<br>C/S: 18 kg  | E: 12 kg<br>C/S: 18 kg  |

## 14 Ficha de dados técnicos

Para consultar a Declaração de Conformidade UE atual para o seu dispositivo, aceda à página do produto em questão em [dometic.com](http://dometic.com) ou entre diretamente em contacto com o fabricante (consulte [dometic.com/dealer](http://dometic.com/dealer)).

Este aparelho está em conformidade com o Regulamento UNECE R10.

|  | <b>NRX0090V</b>          |
|--|--------------------------|
| Volume   |                          |
| • Compartimento do frigorífico                                       | 79 L                     |
| • Compartimento para produtos congelados                             | 8,4 L                    |
| • Capacidade total   | 87 L                     |
| • Capacidade total (compartimento para produtos congelados removido) | 92 L                     |
| Tensão de ligação  | 12 / 24 V <sup>==</sup>  |
| Proteção da bateria de alimentação (12 V)                            |                          |
| • Tensão de desconexão   | 10,4 V                   |
| • Tensão de restabelecimento da conexão                              | 11,7 V                   |
| Proteção da bateria de alimentação (24 V)                            |                          |
| • Tensão de desconexão   | 22,8 V                   |
| • Tensão de restabelecimento da conexão                              | 24,2 V                   |
| Consumo de energia   | 0,35 kWh / 24 h          |
| Classe climática   | T                        |
| Intervalo de temperatura de armazenamento                            |                          |
| • Frigorífico  | 0 °C ... 15 °C           |
| • Compartimento para produtos congelados                             | -12 °C ... -5 °C         |
| • Modo FREEZER   | -5 °C ± 2 °C             |
| Temperatura ambiente com a utilização prevista                       | 16 °C ... 43 °C          |
| Refrigerante   | R600a                    |
| Quantidade de líquido refrigerante existente                         | 22 g                     |
| Equivalente a CO <sub>2</sub>  | 0,000 t                  |
| Potencial de aquecimento global (PAG)                                | 3                        |
| Emissão de ruído (EN 60704)  |                          |
| • Modo PERFORMANCE   | < 40 dB(A)               |
| • Modo QUIET   | 37 dB(A)                 |
| Dimensões A x L x P  | 821 mm × 486 mm × 480 mm |
| Peso líquido   | 22 kg                    |

## Italiano

|    |                                  |     |
|----|----------------------------------|-----|
| 1  | Note importanti.....             | 138 |
| 2  | Spiegazione dei simboli.....     | 138 |
| 3  | Istruzioni per la sicurezza..... | 139 |
| 4  | Dotazione.....                   | 141 |
| 5  | Accessori.....                   | 142 |
| 6  | Destinazione d'uso.....          | 143 |
| 7  | Descrizione tecnica.....         | 144 |
| 8  | Funzionamento.....               | 146 |
| 9  | Pulizia e manutenzione.....      | 154 |
| 10 | Risoluzione dei problemi.....    | 157 |
| 11 | Garanzia.....                    | 160 |
| 12 | Smaltimento.....                 | 161 |
| 13 | Specifiche tecniche.....         | 161 |
| 14 | Specifiche tecniche.....         | 163 |

## 1 Note importanti

Si prega di leggere attentamente e di seguire tutte le istruzioni, le linee guida e le avvertenze incluse in questo manuale del prodotto, al fine di garantire che il prodotto venga sempre installato, utilizzato e mantenuto nel modo corretto. Queste istruzioni DEVONO essere conservate insieme al prodotto.

Utilizzando il prodotto, l'utente conferma di aver letto attentamente tutte le istruzioni, le linee guida e le avvertenze e di aver compreso e accettato di rispettare i termini e le condizioni qui espressamente indicati. L'utente accetta di utilizzare questo prodotto solo per lo scopo e l'applicazione previsti e in conformità alle istruzioni, le linee guida e le avvertenze indicate nel presente manuale del prodotto, nonché in conformità alle leggi e ai regolamenti applicabili. La mancata lettura e osservanza delle istruzioni e delle avvertenze qui espressamente indicate può causare lesioni personali e a terzi, danni al prodotto o ad altre proprietà nelle vicinanze. Il presente manuale del prodotto, comprese le istruzioni, le linee guida e le avvertenze e la relativa documentazione possono essere soggetti a modifiche e aggiornamenti. Per informazioni aggiornate sul prodotto, visitare [documents.dometic.com](http://documents.dometic.com).

## 2 Spiegazione dei simboli

Il termine presente nella segnalazione identifica i messaggi di sicurezza e quelli relativi al danneggiamento della proprietà, oltre a indicare il grado o livello di gravità del rischio.



### PERICOLO!

Indica una situazione di pericolo che, se non evitata, provoca lesioni gravi o mortali.



### AVVERTENZA!

Indica una situazione di pericolo che, se non evitata, potrebbe provocare lesioni gravi o mortali.



### ATTENZIONE!

Indica una situazione di pericolo che, se non evitata, potrebbe provocare lesioni di entità lieve o moderata.



### AVVISO!

Indica una situazione di pericolo che, se non evitata, può provocare danni alle cose.



**NOTA** Informazioni supplementari relative al funzionamento del prodotto.



## 3 Istruzioni per la sicurezza

### Sicurezza generale



#### **AVVERTENZA! Pericolo di scosse elettriche**

- > L'installazione e la rimozione del frigorifero possono essere eseguite soltanto da personale qualificato.
- > L'installazione nei servizi igienici e in aree esposte all'acqua deve essere eseguita esclusivamente da un tecnico qualificato.
- > Se si installa il frigorifero sotto un tendalino o in un ambiente simile, assicurarsi che sia protetto dalla pioggia e da spruzzi d'acqua.
- > Se il frigorifero presenta danni visibili, non metterlo in funzione.
- > Il frigorifero può essere riparato solo da personale specializzato. Le riparazioni che non vengono eseguite in maniera corretta possono causare gravi pericoli o danni al frigorifero.
- > Se il cavo di collegamento di questo frigorifero viene danneggiato, per evitare pericoli, farlo sostituire dal fabbricante, dal suo servizio assistenza clienti o da personale con la qualifica necessaria.
- > Durante il posizionamento del frigorifero, assicurarsi che il cavo di alimentazione non venga bloccato o danneggiato.
- > Non collocare prese multiple o alimentatori portatili sul retro del frigorifero.
- > Non toccare mai i cavi esposti a mani nude.
- > Collegare l'apparecchio a prese che garantiscano una connessione adeguata, soprattutto quando l'apparecchio deve essere collegato alla massa.
- > Se l'apparecchio è alimentato dalla rete elettrica, assicurarsi che l'alimentazione abbia un interruttore differenziale: un interruttore di corrente residua (RCCB) o un interruttore di circuito di guasto a terra (GFCI). I lavori di montaggio devono essere eseguiti nel rispetto di tutte le norme vigenti, soprattutto nelle aree potenzialmente umide.



#### **AVVERTENZA! Pericolo di incendio**

- > Il circuito di raffreddamento contiene una piccola quantità di un refrigerante ecologico. Non danneggia lo strato di ozono e non aumenta l'effetto serra. Qualsiasi perdita di refrigerante può incendiarsi.
- > Non usare o conservare il frigorifero in spazi ristretti con un flusso d'aria assente o minimo.
- > Mantenere la nicchia di installazione del frigorifero libera da componenti elettrici e fonti di luce che, durante il funzionamento normale o anomalo, producono scintille o archi elettrici (ad esempio relè o scatole dei fusibili).
- > L'isolamento del frigorifero contiene ciclopentano infiammabile e richiede procedure speciali per lo smaltimento. Al termine del suo ciclo di vita consegnare il frigorifero presso un centro di riciclaggio adatto.



#### **AVVERTENZA! Pericolo di esplosione**

Non conservare sostanze che possono esplodere nel frigorifero, come bombolette spray con gas propellente.



#### **AVVERTENZA! Pericolo per la salute**

- > Questo frigorifero può essere utilizzato da bambini di età superiore a 8 anni, da persone con ridotte capacità fisiche, sensoriali o mentali o da persone inesperte o prive di conoscenze specifiche, solo se sorvegliate o preventivamente istruite sull'impiego del frigorifero in sicurezza e se informate dei pericoli legati al prodotto stesso e in grado di comprenderli.
- > I bambini dai 3 agli 8 anni possono riempire e svuotare il frigorifero.
- > La pulizia e la manutenzione non devono essere eseguite da bambini senza la presenza di un adulto.
- > Sorvegliare i bambini per evitare che giochino con il frigorifero.

**AVVERTENZA! Rischio di intrappolamento per i bambini**

- > Assicurarsi che i ripiani siano montati e fissati in modo che i bambini non possano chiudersi all'interno del frigorifero.
- > Prima di smaltire il vostro vecchio frigorifero:
  - Smontare il cassetto.
  - Lasciare i piani d'appoggio all'interno del frigorifero in modo che i bambini non possano usarli come mezzi di salita.
- > Rimuovere le porte.

**ATTENZIONE! Pericolo per la salute**

- > Per evitare pericoli dovuti all'instabilità del frigorifero, fissarlo seguendo le istruzioni di installazione.
- > Mantenere le aperture di ventilazione sul frigorifero, nel suo involucro o nella struttura incorporata, libere da ostruzioni.
- > Non utilizzare apparecchi meccanici o altri mezzi per accelerare il processo di sbrinamento, diversi da quelli raccomandati dal fabbricante.
- > Non aprire o danneggiare in nessun caso il circuito di raffreddamento.
- > Non utilizzare apparecchi elettrici all'interno del frigorifero, ad eccezione di quelli consigliati dal fabbricante.

**ATTENZIONE! Rischio di lesioni**

- > Non utilizzare o conservare materiali infiammabili nel frigorifero o nelle sue vicinanze.
- > Non collocare oggetti sopra o contro questo frigorifero.
- > Non modificare questo frigorifero.

**AVVISO! Rischio di danni**

- > Selezionare il funzionamento a corrente continua solo se il motore del veicolo è in funzione e fornisce sufficiente tensione o se si utilizza un dispositivo di controllo automatico della batteria.
- > Se presente, mantenere lo scarico della condensa sempre pulito.
- > Se il frigorifero è dotato di griglie di ventilazione, non utilizzare un'idropulitrice nei pressi della griglia durante la pulizia del veicolo.
- > Non esporre il frigorifero alla pioggia.
- > Non estrarre mai la spina dalla presa tirando il cavo di collegamento.

**Sicurezza durante il funzionamento del frigorifero****PERICOLO! Pericolo di scosse elettriche**

Prima della messa in funzione del frigorifero, assicurarsi che la rete di alimentazione e la spina siano asciutte.

**ATTENZIONE! Pericolo per la salute**

- > Mettere nel frigorifero solo oggetti o prodotti che possono essere raffreddati alla temperatura selezionata.
- > Pulire regolarmente le superfici che vengono a contatto con gli alimenti e i sistemi di scarico accessibili.
- > Conservare la carne e il pesce crudi nel frigorifero in contenitori idonei, in modo da evitare che sgocciolino e vengano a contatto con altri alimenti.
- > L'apertura prolungata della porta può causare un significativo aumento della temperatura nei vani del frigorifero. Se il frigorifero viene lasciato vuoto per lunghi periodi:
  - Disattivare il frigorifero.
  - Sbrinare il frigorifero.

- Pulire e asciugare il frigorifero.
- Lasciare la porta aperta per evitare lo sviluppo di muffe all'interno del frigorifero. Se disponibile, mettere la porta del frigorifero e la porta del congelatore in posizione invernale.



#### **ATTENZIONE! Rischio di lesioni**

- > Non mettere le dita nella cerniera.
- > Chiudere e bloccare la porta del frigorifero prima di mettersi in marcia.
- > Il sistema di raffreddamento sul lato posteriore del frigorifero diventa molto caldo durante il funzionamento. Se il frigorifero è dotato di griglie di ventilazione, proteggersi dal contatto con parti calde durante la rimozione delle griglie.
- > La porta dell'apparecchio o del congelatore può staccarsi completamente dall'apparecchio in caso di uso improprio. Spingere le porte fino a quando non si sente chiaramente un clic in alto e in basso.



#### **AVVISO! Rischio di danni**

- > Non appoggiarsi sulla porta del frigorifero aperta.
- > Posizionare oggetti pesanti, come bottiglie o scatolette, esclusivamente nella porta del frigorifero, nello scomparto verdure o sul ripiano inferiore.
- > Se il frigorifero è dotato di porta doppia e la porta non è bloccata correttamente sul lato opposto, spingerla su questo lato in alto e in basso fino a quando non si blocca.
- > **Pericolo di surriscaldamento!** Assicurarsi sempre che il calore generato durante il funzionamento possa fuoriuscire liberamente. Assicurarsi che la distanza fra il frigorifero e le pareti o altri oggetti sia tale da permettere all'aria di circolare liberamente.
- > Non versare nessun tipo di liquido o ghiaccio all'interno.
- > Proteggere il frigorifero e il cavo dal caldo e dall'umidità.
- > Non estrarre mai la spina dalla presa tirando il cavo di collegamento.



#### **NOTA**

- > Rivolgersi al fabbricante del veicolo se il sistema di gestione della batteria del veicolo in questione spegne il frigorifero per proteggere la batteria.
- > Con temperature ambiente comprese tra 15 °C ... 25 °C , selezionare l'impostazione media della temperatura.
- > Se la porta non è bloccata correttamente sul lato opposto, spingerla su questo lato in alto e in basso fino a quando non si blocca.
- > Per evitare spreco di cibo, considerare quanto segue:
  - Ridurre al minimo le variazioni di temperatura. Aprire il congelatore solo se necessario e per il tempo necessario. Conservare gli alimenti in modo che l'aria possa continuare a circolare bene.
  - Mettere nel frigorifero solo oggetti o prodotti che possono essere raffreddati alla temperatura selezionata.
  - Riporre i diversi alimenti come indicato nelle figure.
  - Se la temperatura può essere regolata: Regolare la temperatura in base alla quantità e al tipo di alimenti.
  - Gli alimenti possono facilmente assorbire o rilasciare odori o sapori. Conservare sempre gli alimenti coperti o chiusi in contenitori/bottiglie.

## **4 Dotazione**

| <b>Quantità</b> | <b>Descrizione</b>        |
|-----------------|---------------------------|
| 1               | Frigorifero a compressore |

| Quantità | Descrizione                        |
|----------|------------------------------------|
| 1        | Gomito di scarico                  |
| 1        | Manuale dell'utente breve          |
| 1        | Istruzioni per l'uso (solo online) |
| 1        | Istruzioni di montaggio            |

## 5 Accessori

Disponibili come accessori (non in dotazione):

| Descrizione  | N. art.    |
|--|------------|
| Cerniera a traino  | 9620012939 |
| Telaio di fissaggio compreso telaio inferiore                    |            |
| • NRX0035, NRX0050   | 9620012877 |
| • NRX0060  | 9620012881 |
| • NRX0080  | 9620012882 |
| • NRX0115  | 9620012878 |
| • NRX0130  | 9620012876 |
| Telaio di fissaggio incluso telaio inferiore (nero)              |            |
| • NRX0035, NRX0050   | 9620012874 |
| • NRX0060  | 9620012875 |
| • NRX0080  | 9620012880 |
| • NRX0115  | 9620012879 |
| • NRX0130  | 9620012883 |
| Ripiano sostitutivo per scomparto per prodotti congelati rimosso |            |
| • NRX0035, NRX0050   | 9620012933 |
| • NRX0060  | 9620012938 |
| • NRX0080  | 9620012935 |
| • NRX0115, NRX0130   | 9620012932 |
| Scomparto per prodotti congelati                                 |            |
| • NRX0035, NRX0050   | 9620012931 |

| Descrizione        | N. art.                            |
|--------------------|------------------------------------|
| • NRX0060          | 9620012936                         |
| • NRX0080          | 9620012934                         |
| • NRX0115, NRX0130 | 9620012937                         |
| Adattatore CA/CC   | 9620013449 (EU)<br>9620013450 (UK) |

## 6 Destinazione d'uso

Il frigorifero è destinato a:

- Installazione su caravan, camper, imbarcazioni e autocarri
- raffreddare e conservare alimenti
- **solo NRX0035-0130(C/S):** conservare alimenti già congelati
- uso interno

Questo frigorifero non è destinato ad applicazioni commerciali, domestiche o di vendita al dettaglio.

Il frigorifero **non** è adatto per:

- conservare medicinali
- conservazione di sostanze corrosive o sostanze contenenti solventi
- il congelamento rapido degli alimenti
- uso all'aperto

Se si utilizza sulle imbarcazioni, l'apparecchio deve essere installato in una zona giorno e non su un ponte scoperto.

Gli scomparti per prodotti congelati sono adatti alla conservazione di alimenti presurgelati, alla conservazione o alla produzione di gelato e alla produzione di cubetti di ghiaccio. Non è adatta per congelare alimenti.

Il frigorifero è destinato all'installazione in un mobile o in una nicchia di installazione.

Le prestazioni di raffreddamento ottimali sono garantite a temperature ambiente comprese tra 16 °C ... 43 °C e a un valore di umidità massima di 90 % .

Questo prodotto è adatto solo per l'uso e l'applicazione previsti in conformità alle presenti istruzioni.

Il presente manuale fornisce le informazioni necessarie per la corretta installazione e/o il funzionamento del prodotto. Un'installazione errata e/o un utilizzo o una manutenzione impropri comporteranno prestazioni insoddisfacenti e un possibile guasto.

Il fabbricante non si assume alcuna responsabilità per eventuali lesioni o danni al prodotto che derivino da:

- Installazione, montaggio o collegamento errati, compresa la sovratensione
- Manutenzione non corretta o uso di parti di ricambio diverse da quelle originali fornite dal fabbricante
- Modifiche al prodotto senza esplicita autorizzazione del fabbricante
- Impiego per scopi diversi da quelli descritti nel presente manuale

Dometic si riserva il diritto di modificare l'aspetto e le specifiche del prodotto.

## 7 Descrizione tecnica

Il frigorifero è di tipo a compressore.

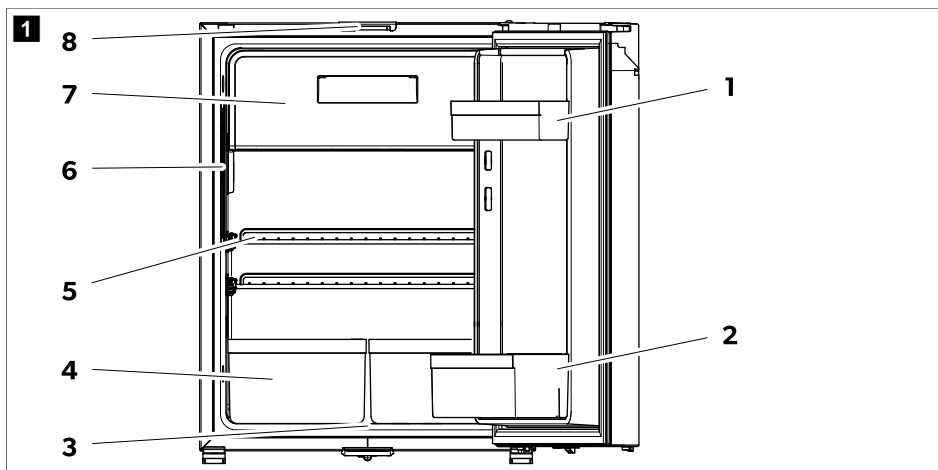
Il frigorifero è progettato per funzionare con diversi tipi di alimentazione elettrica e può essere utilizzato con un'alimentazione CC o CA.

NRX0035-0130(C/S): Il modello è dotato in fabbrica di uno scomparto per prodotti congelati che può essere rimosso e reinserito.

La porta del frigorifero è provvista di un meccanismo di bloccaggio che serve da sicurezza per il trasporto.

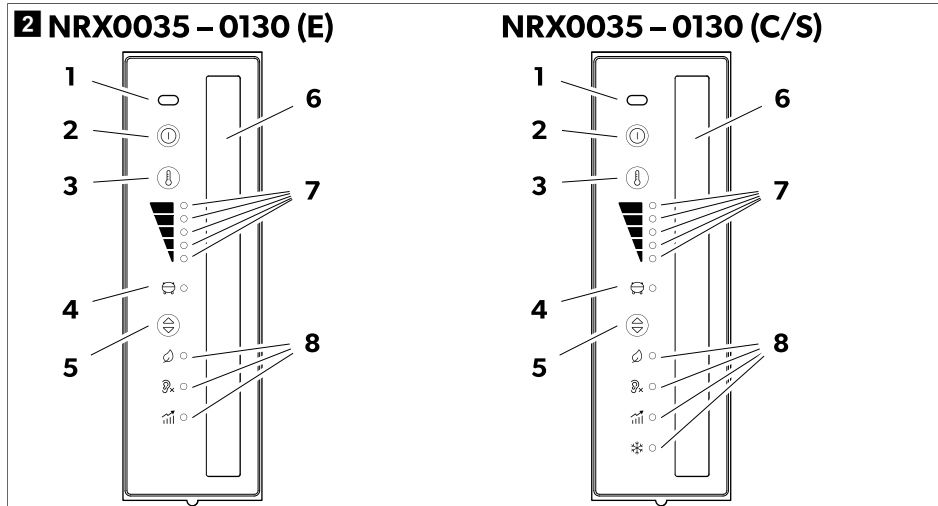
Tutti i materiali utilizzati per la costruzione del frigorifero non sono pericolosi per i generi alimentari.

### Descrizione dell'apparecchio



| Pos. | Spiegazione   |
|------|---|
| 1    | Ripiano sportello (solo NRX0035-0130[C/S], NRX0080-0130[E]) |
| 2    | Balconcino portabottiglie                                   |
| 3    | Scarico della condensa                                      |
| 4    | Cassetto frutta e verdura (solo NRX0035-0130[C/S])          |
| 5    | Ripiano interno   |
| 6    | Pannello di controllo con display                           |
| 7    | Scomparto per prodotti congelati (solo NRX0035 - 0130[C/S]) |
| 8    | Dispositivo di bloccaggio porta per la ventilazione         |

## Elementi di comando e indicazione



| Pos. | Spiegazione   |  |                             |  |                             |  |                             |  |                             |  |                             |
|------|---|--|-----------------------------|--|-----------------------------|--|-----------------------------|--|-----------------------------|--|-----------------------------|
| 1    | Sensore di apertura porta IR  |  |                             |  |                             |  |                             |  |                             |  |                             |
| 2    | Tasto ON/OFF  |  |                             |  |                             |  |                             |  |                             |  |                             |
| 3    | Tasto di impostazione del livello di raffreddamento   |  |                             |  |                             |  |                             |  |                             |  |                             |
| 4    | LED di indicazione del compressore e di errore  |  |                             |  |                             |  |                             |  |                             |  |                             |
| 5    | Tasto modalità operativa  |  |                             |  |                             |  |                             |  |                             |  |                             |
| 6    | Luce interna  |  |                             |  |                             |  |                             |  |                             |  |                             |
| 7    | LED indicatori del livello di raffreddamento <table border="1" style="margin-left: 20px;"> <tr> <td></td> <td>Livello di raffreddamento 5</td> </tr> <tr> <td></td> <td>Livello di raffreddamento 4</td> </tr> <tr> <td></td> <td>Livello di raffreddamento 3</td> </tr> <tr> <td></td> <td>Livello di raffreddamento 2</td> </tr> <tr> <td></td> <td>Livello di raffreddamento 1</td> </tr> </table> |  | Livello di raffreddamento 5 |  | Livello di raffreddamento 4 |  | Livello di raffreddamento 3 |  | Livello di raffreddamento 2 |  | Livello di raffreddamento 1 |
|      | Livello di raffreddamento 5   |  |                             |  |                             |  |                             |  |                             |  |                             |
|      | Livello di raffreddamento 4   |  |                             |  |                             |  |                             |  |                             |  |                             |
|      | Livello di raffreddamento 3   |  |                             |  |                             |  |                             |  |                             |  |                             |
|      | Livello di raffreddamento 2   |  |                             |  |                             |  |                             |  |                             |  |                             |
|      | Livello di raffreddamento 1   |  |                             |  |                             |  |                             |  |                             |  |                             |
| 8    | LED indicatori della modalità di funzionamento  |  |                             |  |                             |  |                             |  |                             |  |                             |





### LED di indicazione del compressore e di errore

Il LED di indicazione del compressore e di errore visualizza lo stato di funzionamento del compressore o indica un errore:

| Colore                   | Descrizione   |
|--------------------------|---|
| Bianco                   | Compressore acceso                                      |
| Arancione                | Compressore spento                                      |
| Arancione (lampeggiante) | Errore (vedere il capitolo Spia errori alla pagina 160) |

## LED indicatori della modalità di funzionamento

I LED indicatori della modalità di funzionamento visualizzano le seguenti opzioni di impostazione:

| Simbolo   | Descrizione   |
|---|---|
|  | Modalità ECO:<br>funzionamento con consumo di energia ridotto.<br>Livello di raffreddamento 1 – 3   |
|  | Modalità QUIET:<br>funzionamento con livello di rumorosità ridotto.<br>Livello di raffreddamento 1 – 4  |
|  | Modalità PERFORMANCE:<br>Livello di raffreddamento 1 – 5  |
|  | Modalità FREEZER (solo NRX0035–0130[C/S]):<br>funzionamento con lo scomparto per prodotti congelati rimosso. Consente di raffreddare tutto l'interno del frigorifero a –6 °C. |

## 8 Funzionamento

### 8.1 Prima del primo utilizzo



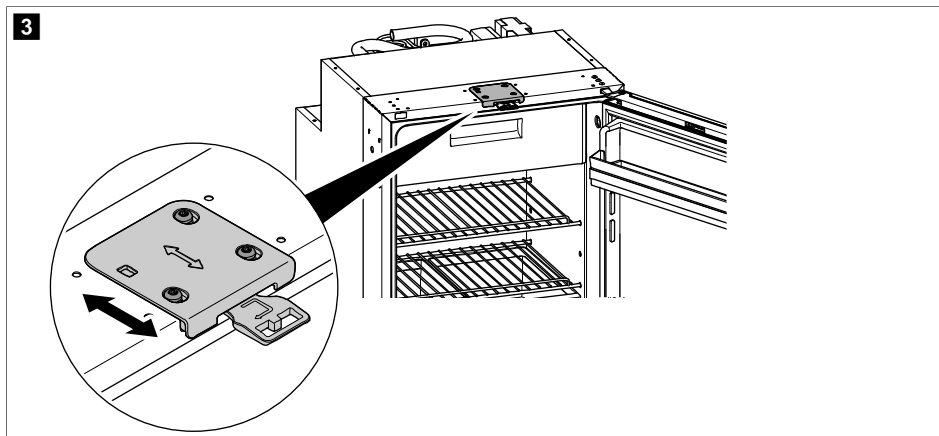
#### NOTA

- > Non conservare alimenti nel frigorifero nelle prime 4 ore di funzionamento dopo l'accensione.
- > Alla prima messa in funzione del frigorifero potrebbe formarsi un leggero odore che svanisce dopo poche ore. Aerare bene l'ambiente.
- > La capacità di raffreddamento può essere influenzata:
  - dalla temperatura ambiente (ad es. quando il veicolo è esposto alla luce diretta del sole)
  - dalla quantità di alimenti da refrigerare
  - dalla frequenza di apertura della porta
- > Per motivi igienici, pulire l'interno del frigorifero (vedere Pulizia e manutenzione alla pagina 154).
- > Parcheggiare il veicolo in piano, in particolar modo durante la messa in funzione e il riempimento del frigorifero prima dell'inizio del viaggio.

#### 8.1.1 Regolazione del fermo della porta

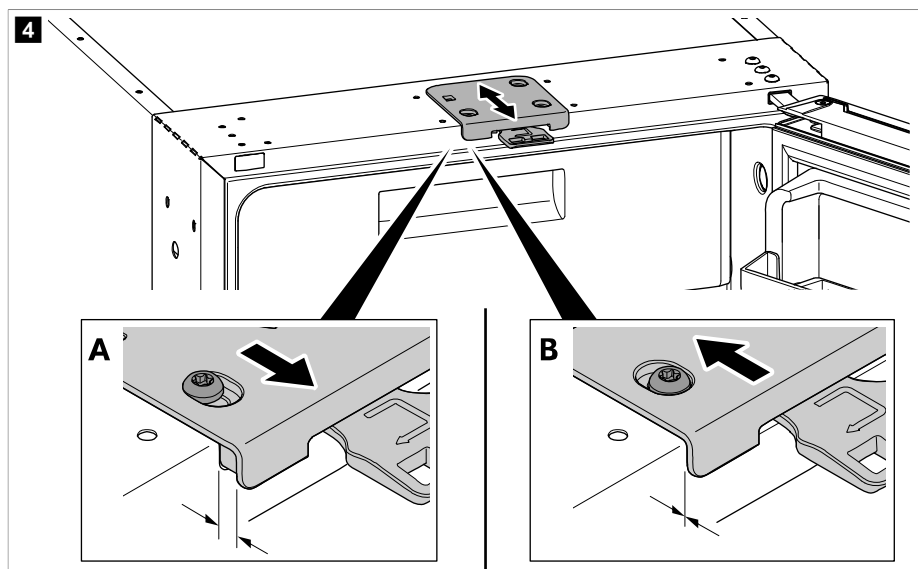
È possibile regolare il fermo della porta sulla parte superiore del frigorifero per modificare la larghezza di chiusura della porta.





**i** **NOTA** Controllare se il fermo della porta regolabile è installato. Se necessario, ordinarlo ([dometic.com](http://dometic.com)) e sostituire il fermo fisso con quello regolabile.

> Il fermo della porta è posizionato su **A** in fabbrica. Spostarlo in posizione **B**.



**i** **NOTA** Se il fermo è in posizione **B**, assicurarsi che la porta si blocchi correttamente durante la chiusura (vedere il capitolo Chiusura e bloccaggio della porta del frigorifero alla pagina 149).

## 8.2 Informazioni sulla conservazione degli alimenti



### ATTENZIONE! Pericolo per la salute

Se il frigorifero viene esposto a una temperatura ambiente inferiore a 10 °C per un periodo di tempo prolungato, la regolazione della temperatura dello scomparto per prodotti congelati non potrà più essere garantita. Ciò può causare l'aumento della temperatura dello scomparto per prodotti congelati e lo scongelamento della merce conservata.

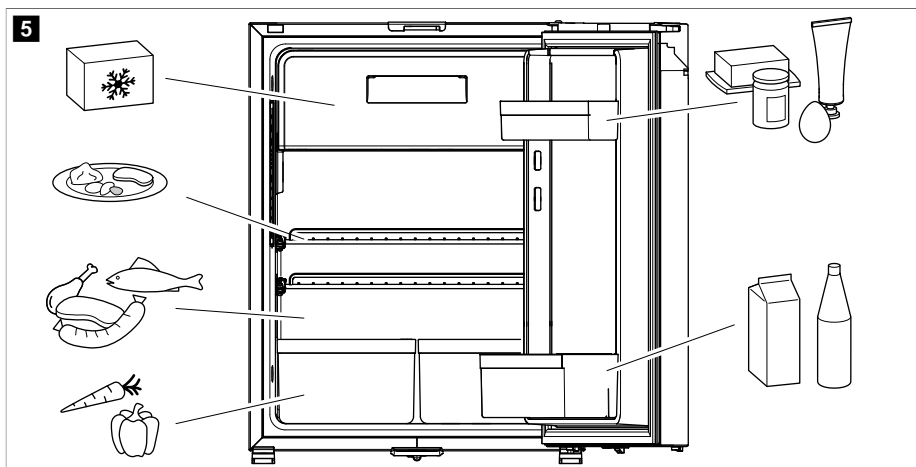


### AVVISO! Rischio di danni

- > Per riempire il frigorifero, rispettare il carico massimo di ciascun balconcino della porta e della porta (vedi Specifiche tecniche alla pagina 161).
- > Non conservare le bibite gassate nello scomparto per prodotti congelati.

Per evitare spreco di cibo, considerare quanto segue:

- Ridurre al minimo le variazioni di temperatura. Aprire il frigorifero solo se necessario e per il tempo necessario. Conservare gli alimenti in modo che l'aria possa continuare a circolare bene.
  - Regolare la temperatura in base alla quantità e al tipo di alimenti.
  - Riporre i diversi alimenti come indicato nelle figure.
  - Gli alimenti possono facilmente assorbire o rilasciare odori o sapori. Conservare sempre gli alimenti coperti o chiusi in contenitori/bottiglie.
- > Conservare gli alimenti come illustrato.



## 8.3 Risparmio energetico

- Aprire il frigorifero solo se necessario e per il tempo necessario.
- Prima di immagazzinare cibi caldi nel dispositivo, lasciarli prima raffreddare.
- Sbrinare il frigorifero appena si è formato uno strato di ghiaccio.
- Evitare un abbassamento eccessivo della temperatura interna se non necessario.
- Per un consumo energetico ottimale, posizionare i ripiani e i cassetti in base alla loro posizione al momento della consegna.
- Controllare regolarmente che la guarnizione della porta aderisca bene.
- Ad intervalli regolari, eliminare dal condensatore polvere ed eventuali impurità.

## 8.4 Utilizzo della porta del frigorifero



### ATTENZIONE! Rischio di lesioni

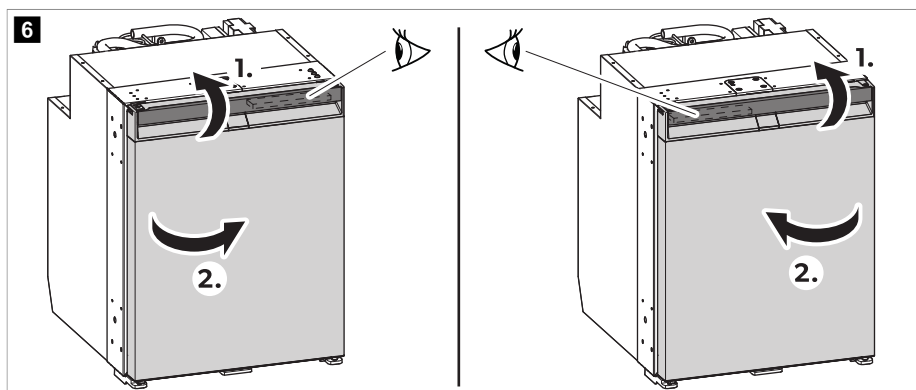
La porta del frigorifero e dello scomparto per prodotti congelati può staccarsi completamente dall'apparecchio in caso di uso improprio.

### 8.4.1 Apertura della porta del frigorifero



**NOTA** Assicurarsi di tirare la maniglia sul lato opposto al fermaporta. Prendere nota della rispettiva posizione dell'elemento scorrevole. Fare riferimento alle relative indicazioni di montaggio.

> Per aprire la porta del frigorifero procedere come illustrato.



### 8.4.2 Chiusura e bloccaggio della porta del frigorifero



### ATTENZIONE! Rischio di lesioni

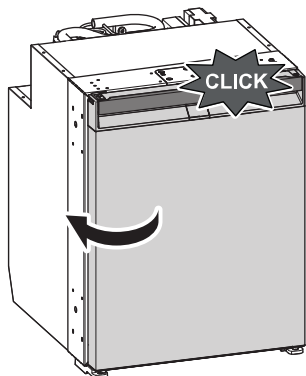
Se la porta non è bloccata correttamente, premerla con cautela sulla parte superiore e inferiore finché non si blocca in posizione.



**NOTA** La porta del frigorifero è dotata di un meccanismo di bloccaggio usato anche come protezione durante il trasporto.

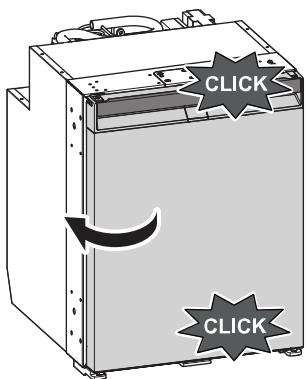
- > NRX0035-0130(E): Chiudere la porta premendo finché non si sente chiaramente un clic in alto.

## 7 NRX0035 – 0130 (E)



- > NRX0035-0130(C/S): Chiudere la porta premendo fino a che non si sente chiaramente un clic in alto e in basso.

## 8 NRX0035 – 0130 (C/S)





- ✓ La porta è ora chiusa e bloccata.

### 8.5 Accensione e spegnimento




**NOTA** Spegnerne sempre il frigorifero se si prevede di non utilizzarlo per un periodo di tempo prolungato.

- > Per accendere l'apparecchio, tenere premuto il tasto  per almeno 2 s .
- ✓ Il frigorifero si accende con l'ultima impostazione del livello di raffreddamento selezionata e l'ultima modalità di funzionamento impostata.
- > Per spegnere l'apparecchio, tenere premuto il tasto  per almeno 2 s .

## 8.6 Impostazione delle modalità di funzionamento



**NOTA** Se si utilizza la modalità ECO, PERFORMANCE o FREEZER, il sistema permane nella modalità impostata finché non vengono apportate ulteriori modifiche.

- > Per impostare la modalità di funzionamento, premere ripetutamente il tasto  finché non si accende il LED indicatore sulla modalità di funzionamento desiderata.

Sono disponibili le seguenti modalità di funzionamento:

### Utilizzo della modalità ECO

Con la modalità ECO attivata, il frigorifero funziona con un consumo di energia ridotto ai livelli di raffreddamento 1-3.

- ✓ Il LED indicatore della modalità di funzionamento ECO () e tutti i LED indicatori del livello di raffreddamento selezionato si accendono.

### Utilizzo della modalità QUIET

Con la modalità QUIET attivata, il frigorifero funziona a livelli di rumorosità ridotti ai livelli di raffreddamento 1-4.



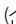
#### NOTA

- > La modalità QUIET non è disponibile se il frigorifero è in modalità FREEZER.
- > Se si utilizza la modalità QUIET, il frigorifero rimane in questa modalità per 8 h, quindi torna alla modalità precedentemente selezionata (modalità ECO o PERFORMANCE).

- ✓ Il LED indicatore della modalità di funzionamento QUIET () e tutti i LED indicatori del livello di raffreddamento selezionato si accendono.

### Uso della modalità PERFORMANCE

Con la modalità PERFORMANCE attivata, il frigorifero funziona in modalità standard ai livelli di raffreddamento 1-5.

- ✓ Il LED indicatore della modalità di funzionamento PERFORMANCE () e il LED indicatore del livello di raffreddamento selezionato si accendono.

### Utilizzo della modalità FREEZER

Con la modalità FREEZER attivata, tutto l'interno del frigorifero viene raffreddato a  $-6^{\circ}\text{C}$ .



**NOTA** Rimuovere lo scomparto per prodotti congelati per utilizzare la modalità FREEZER.

- ✓ Il LED indicatore della modalità FREEZER () e tutti i LED indicatori del livello di raffreddamento sono accesi in modo permanente.

## 8.7 Impostazione del livello di raffreddamento

- > Per impostare il livello di raffreddamento, premere ripetutamente il tasto  fino alla selezione del livello di raffreddamento desiderato.

## 8.8 Riposizionamento dei ripiani



### AVVERTENZA! Rischio di intrappolamento per i bambini

NRX0060-0130: I ripiani sono fissati per impedire che i bambini si arrampichino all'interno del frigorifero.

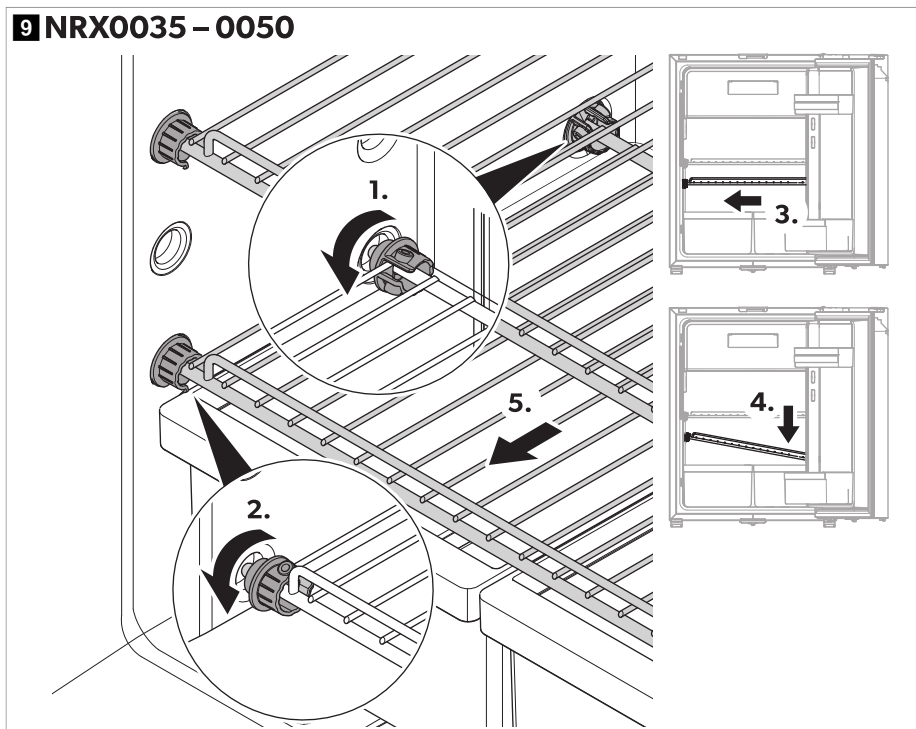
- > Estrarre i ripiani soltanto per la pulizia.
- > Rimontare i ripiani e bloccarli in posizione.



**NOTA** Per facilitare l'accesso alle manopole del ripiano posteriore, prima di riposizionare i ripiani rimuovere lo scomparto per prodotti congelati.

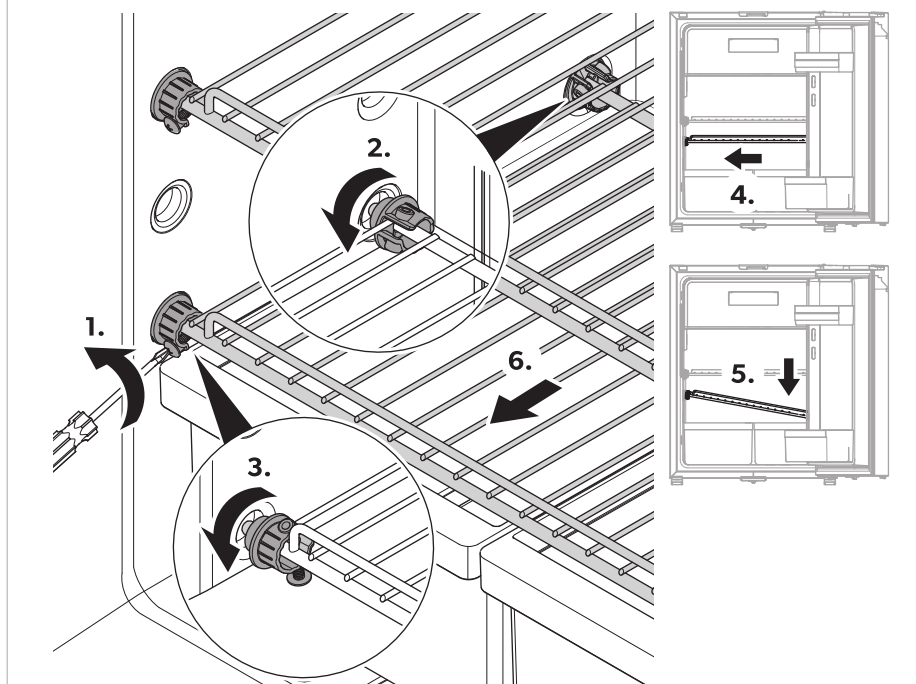
- > **NRX0035-0050:** per riposizionare i ripiani come desiderato, procedere nel modo indicato.

### 9 NRX0035 - 0050



- > **NRX0035-0050:** Per riposizionare i ripiani come desiderato, procedere come illustrato.

## 10 NRX0060 – 0130



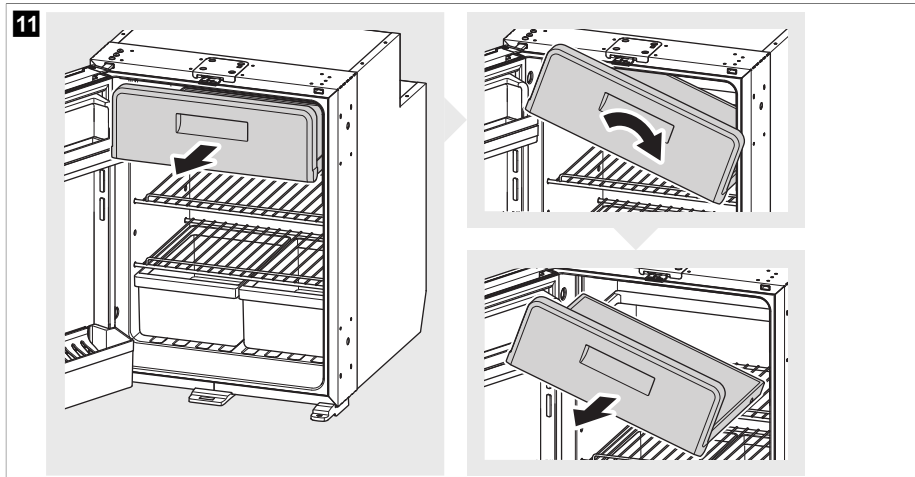
### 8.9 Rimozione dello scomparto per prodotti congelati



#### AVVISO! Rischio di danni

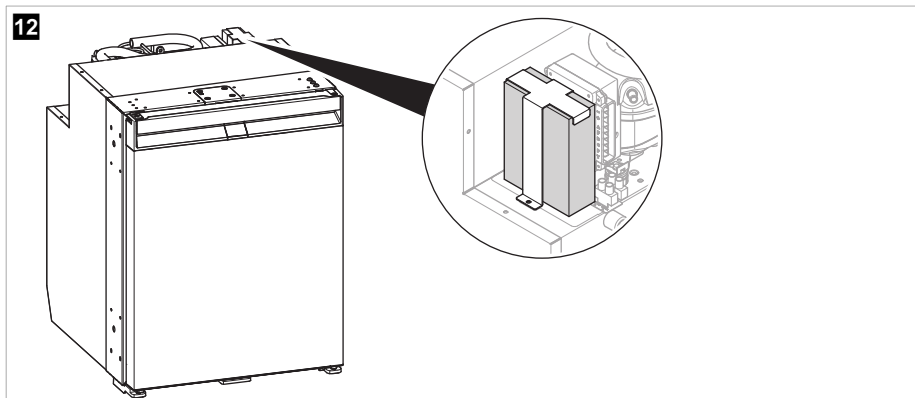
- > Chiudere la porta dello scomparto per prodotti congelati per rimuovere lo scomparto.
- > Afferrare lo scomparto per prodotti congelati dal fondo. Non tirare dalla porta dello scomparto per prodotti congelati.
- > Riporre lo scomparto per prodotti congelati in un luogo asciutto e sicuro.

- > Per rimuovere lo scomparto per prodotti congelati, procedere come illustrato.



## 8.10 Installazione dell'adattatore CA/CC

- > Per installare l'adattatore CA/CC (accessorio), procedere come illustrato.



## 9 Pulizia e manutenzione



### AVVERTENZA! Pericolo di scosse elettriche

Staccare il frigorifero dall'alimentazione prima di eseguire qualsiasi intervento di pulizia e manutenzione.



### AVVISO! Rischio di danni

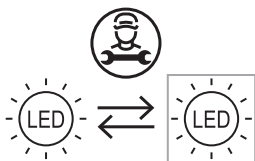
- > Per la pulizia non utilizzare detersivi aggressivi o oggetti duri.
- > Non impiegare mai utensili duri o appuntiti per rimuovere il ghiaccio o per liberare oggetti congelati.
- > Assicurarsi che non goccioli acqua nelle guarnizioni. Questo può danneggiare il sistema elettronico.





### AVVISO! Rischio di danni

Per prevenire rischi, la sorgente luminosa può essere sostituita soltanto dal fabbricante, dal servizio di assistenza o da una persona dotata di qualifica analoga.



- > Pulire regolarmente la parte interna ed esterna del frigorifero con un panno umido non appena si sporca. Dopo aver pulito il frigorifero, asciugarlo con un panno.
- > Controllare lo scarico della condensa con regolarità.  
Se necessario pulire lo scarico della condensa. Quando è intasato, la condensa si raccoglie sul fondo del frigorifero.
- > Eliminare regolarmente dal condensatore polvere ed eventuali impurità con un panno umido.

### Circuito di raffreddamento

Il circuito di raffreddamento non necessita di manutenzione.

### Sbrinamento del frigorifero



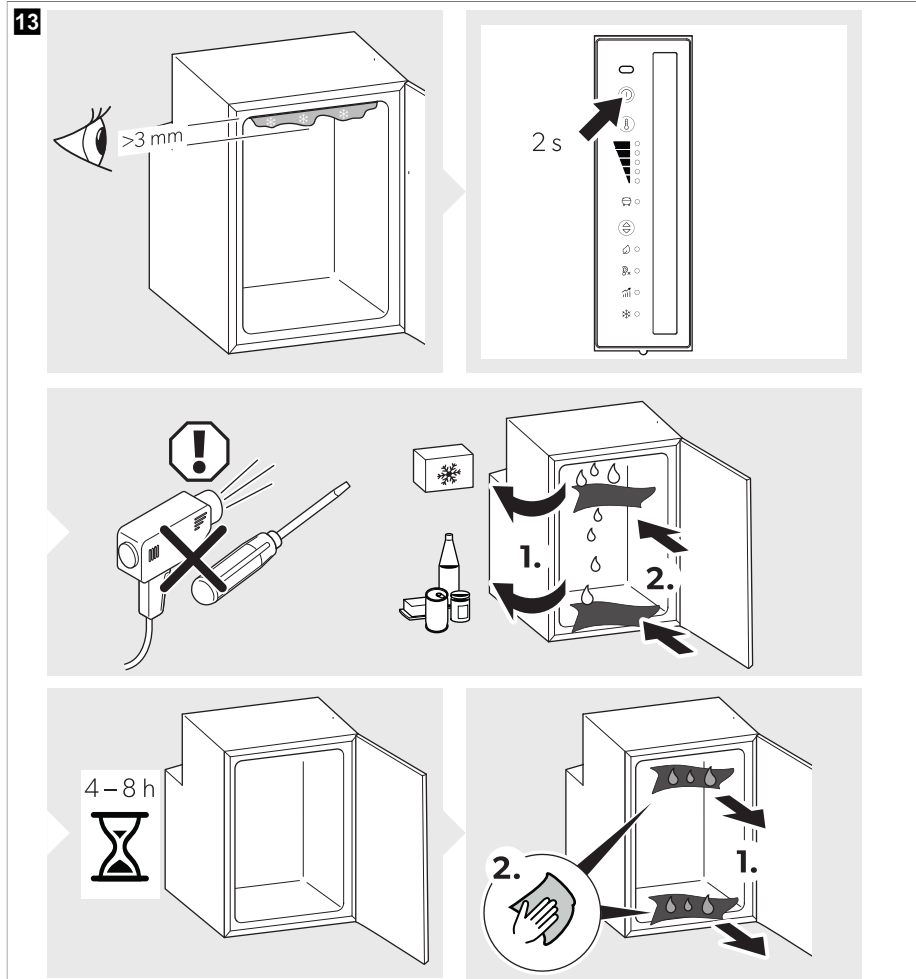
### AVVISO! Rischio di danni

Non utilizzare alcun ausilio meccanico o di qualsiasi altro tipo per accelerare il processo di sbrinamento.



**NOTA** Con il tempo si forma brina sulla parete posteriore all'interno del frigorifero. Quando lo strato di brina raggiunge uno spessore di circa 3 mm, sbrinare il frigorifero.

> Per scongelare il frigorifero procedere come illustrato.



### Posizionamento della porta del frigorifero in posizione di stoccaggio



#### **ATTENZIONE! Rischio di lesioni**

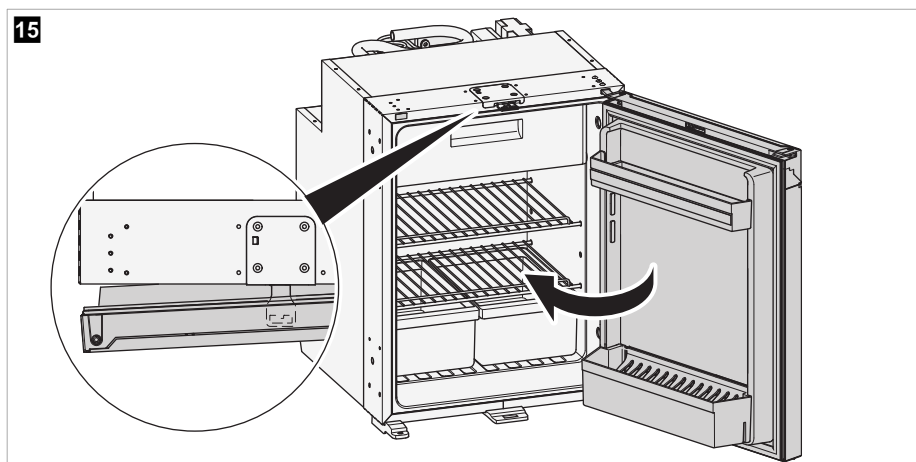
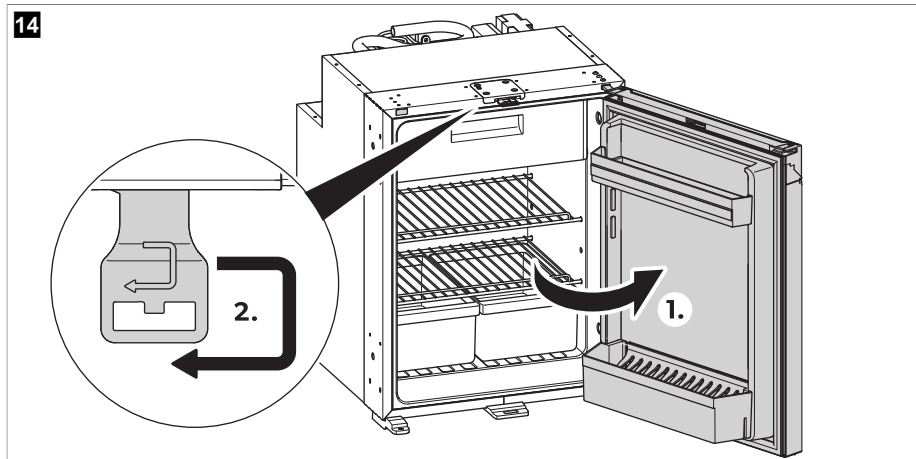
La posizione di stoccaggio non deve essere utilizzata durante la marcia.



**NOTA** Posizionare la porta del frigorifero in posizione di stoccaggio se non si intende utilizzare l'apparecchio per un periodo di tempo prolungato. In questo modo si evita la formazione di muffa.

> Sbrinare il frigorifero (vedere Sbrinamento del frigorifero alla pagina 155).

> Posizionare la porta del frigorifero in posizione di stoccaggio, come illustrato.

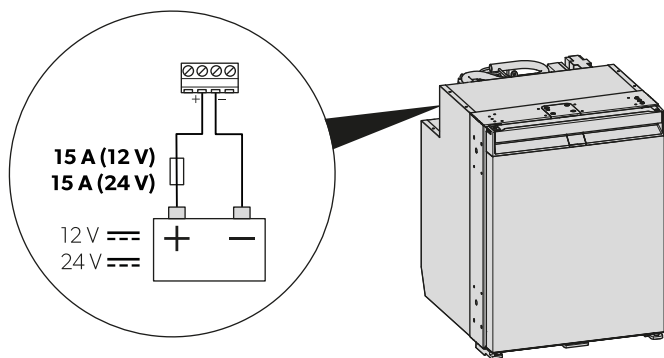



## 10 Risoluzione dei problemi



**NOTA** Per garantire il funzionamento sicuro delle utenze da 12 V nel caravan durante la marcia, assicurarsi che la motrice fornisca sufficiente tensione. Su alcuni veicoli il sistema di gestione della batteria potrebbe spegnere automaticamente le utenze al fine di proteggere la batteria. Informarsi a riguardo presso il proprio fabbricante del veicolo.

16



| Guasto   | Possibile causa   | Rimedio  |
|--|---|--|
| Il frigorifero non funziona.   | Il fusibile nel cavo di corrente continua è guasto.   | > Sostituire il fusibile (  fig. 16 alla pagina 158).   |
|  | Il fusibile del veicolo è bruciato.   | > Sostituire il fusibile del veicolo.<br>Fare riferimento al manuale di istruzioni del proprio veicolo.  |
|  | La batteria del veicolo è scarica.  | > Controllare la batteria del veicolo e ricaricarla.   |
|  | L'accensione non è inserita.  | > Inserire l'accensione.   |
|  | La temperatura del compressore è troppo bassa (< 0 °C).   | > Chiudere/coprire completamente tutte le griglie di ventilazione esterne con materiale isolante.  |
|  | Il frigorifero si spegne automaticamente se la tensione è insufficiente.<br>(Tensione di cut-off: 10,4 V ⇒) | > Caricare la batteria. Il frigorifero si riaccenderà automaticamente.<br>(Tensione di cut-off: 11,7 V ⇒)  |
| La potenza frigorifera si riduce, la temperatura interna aumenta. Il compressore gira ininterrottamente. | La ventilazione intorno al gruppo refrigerante è insufficiente.   | > Verificare che la griglia di ventilazione non sia ostruita.<br>> Spostare il frigorifero in un altro punto.  |
|  | Le pareti interne sono ghiacciate.  | > Verificare che la porta del frigorifero si chiuda correttamente.<br>> Verificare che la guarnizione del frigorifero sia alloggiata correttamente e che non sia danneggiata.<br>> Sbrinare il frigorifero (vedere Sbrinamento del frigorifero alla pagina 155). |
|  | L'impostazione della temperatura è troppo alta.   | > Impostare una temperatura più bassa.   |
|  | La temperatura ambiente è troppo alta.  | > Estrarre temporaneamente la griglia di ventilazione per far sì che l'aria calda fuoriesca più rapidamente.   |
|  | Sono stati inseriti troppi alimenti nel frigorifero contemporaneamente.                                     | > Rimuovere degli alimenti.  |

| Guasto  | Possibile causa  | Rimedio  |
|---|--|--|
|   | Sono stati inseriti troppi alimenti caldi nel frigorifero contemporaneamente.  | > Estrarre gli alimenti caldi e lasciarli raffreddare prima di riporli nuovamente nel frigorifero. |
|   | Il frigorifero non è ancora in funzione da abbastanza tempo.   | > Controllare nuovamente la temperatura dopo 4 h / 5 h .   |
|   | Il condensatore è sporco.  | > Pulire il condensatore (vedere il capitolo Pulizia e manutenzione alla pagina 154).              |
|   | La ventola è guasta.   | > Contattare il servizio di assistenza autorizzato.  |
| La potenza frigorifera si riduce, la temperatura interna aumenta.<br>Il compressore gira di rado.                                     | La capacità della batteria è ridotta.  | > Caricare la batteria.  |
| La potenza frigorifera si riduce, la temperatura interna aumenta.<br>Il compressore non funziona (collegamento batteria).             | Interruzione nel collegamento batteria-sistema elettronico.  | > Stabilire un collegamento.   |
|   | L'interruttore principale è difettoso (se installato).   | > Sostituire l'interruttore principale.  |
|   | Il fusibile supplementare della linea di alimentazione è bruciato (se installato).                                   | > Sostituire il fusibile della linea di alimentazione.   |
|   | La tensione della batteria è troppo bassa.   | > Caricare la batteria.  |
|   | La capacità della batteria è troppo bassa.   | > Sostituire la batteria.  |
|   | I cavi sono allentati.<br>Il contatto è scarso (corrosione).   | > Stabilire un collegamento.   |
|   | La sezione del cavo è troppo piccola.  | > Sostituire il cavo.  |
| Il compressore è guasto.  | > Contattare il servizio di assistenza autorizzato.  |  |
| La potenza frigorifera si riduce, la temperatura interna aumenta.<br>Il compressore non funziona (collegamento all'alimentazione CA). | La linea di alimentazione è interrotta.  | > Stabilire un collegamento.   |
|   | L'interruttore principale è difettoso (se installato).   | > Sostituire l'interruttore principale.  |
|   | Il fusibile supplementare della linea di alimentazione è bruciato (se installato).                                   | > Sostituire il fusibile della linea di alimentazione.   |
|   | Il compressore è guasto.   | > Contattare il servizio di assistenza autorizzato.  |
| Rumori insoliti.  | Un componente del circuito di raffreddamento non può muoversi liberamente (tocca la parete).                         | > Allontanare con cautela il componente dall'ostruzione.   |
|   | Presenza di un corpo estraneo bloccato fra il gruppo refrigerante e la parete.                                       | > Rimuovere il corpo estraneo.   |
|   | Rumore della ventola.  | > Contattare il servizio di assistenza autorizzato.  |
| La porta si apre involontariamente durante lo spostamento (ad esempio durante la marcia).   | Il fermo della porta è in posizione <b>A</b> (vedere il capitolo Regolazione del fermo della porta alla pagina 146). | > Spostare il fermo in posizione <b>B</b> .  |

| Guasto                                | Possibile causa  | Rimedio  |
|---------------------------------------|--|--|
| La porta non si chiude correttamente. | Il fermo della porta è in posizione <b>A</b> (vedere il capitolo <i>Regolazione del fermo della porta</i> alla pagina 146).  | > Spostare il fermo in posizione <b>B</b> .                              |
|                                       | Il fermo della porta è in posizione <b>B</b> (vedere il capitolo <i>Regolazione del fermo della porta</i> alla pagina 146) ma la porta non è bloccata correttamente. | > Assicurarsi che la porta si blocchi correttamente in fase di chiusura. |

## Spia errori



### NOTA

- > Tutti gli errori sono indicati dal LED indicatore di errore che lampeggia in arancione (vedere *Elementi di comando e indicazione* alla pagina 145). Il numero di lampeggi dipende dalla tipologia di errore. Ogni lampeggio dura un quarto di secondo. Una volta terminata la sequenza di lampeggi, segue una pausa. La sequenza per l'errore viene ripetuta ogni quattro secondi.
- > Nelle modalità ECO, PERFORMANCE e FREEZER viene emesso un ulteriore segnale acustico.

| Frequenza di lampeggio | Errore                                  | Possibile causa   |
|------------------------|---|---|
| 1                      | Sottotensione o sovratensione           | La tensione di alimentazione si trova al di fuori del campo di regolazione.   |
| 2                      | Sovracorrente ventola                   | Il carico della ventola sull'unità elettronica è di oltre 1 A.  |
| 3                      | Il motore non si avvia                  | Il rotore è in panne.<br>La pressione differenziale nel sistema di raffreddamento è troppo alta.  |
| 4                      | Numero di giri insufficiente            | Se il sistema di raffreddamento è sovraccarico, non è possibile mantenere il numero di giri minimo del motore.                            |
| 5                      | Surriscaldamento dell'unità elettronica | Se il sistema di raffreddamento è sovraccarico o la temperatura è impostata a un valore eccessivo, il sistema elettronico si surriscalda. |
| Continuo               | Errori del sensore di temperatura       | Il sensore di temperatura è difettoso.  |

## 11 Garanzia

Si applica il periodo di garanzia previsto dalla legge. Se il prodotto è difettoso, contattare la filiale del fabbricante nel proprio Paese (vedere [dometic.com/dealer](http://dometic.com/dealer)) o il rivenditore di riferimento.

Per attivare la garanzia e predisporre eventuali interventi di riparazione, è necessario inviare la seguente documentazione insieme al prodotto:

- Una copia della ricevuta con la data di acquisto
- Il motivo della richiesta o la descrizione del guasto

Tenere presente che le riparazioni eseguite in autonomia o da personale non professionista possono avere conseguenze sulla sicurezza e invalidare la garanzia.

## 12 Smaltimento



### AVVISO! Rischio di danni

L'isolamento del frigorifero contiene ciclopentano infiammabile e necessita di procedure speciali per lo smaltimento. Al termine del suo ciclo di vita consegnare il frigorifero portatile presso un centro di riciclaggio adatto.



Smaltire il materiale da imballaggio negli appositi contenitori di riciclaggio, dove possibile. Consultare il centro locale di riciclaggio o il distributore specializzato per informazioni su come smaltire il prodotto secondo le norme sullo smaltimento applicabili. Europa: È possibile smaltire il prodotto gratuitamente.

## 13 Specifiche tecniche

Per consultare l'attuale dichiarazione di conformità UE dell'apparecchio, visitare la pagina del relativo prodotto sul sito [dometic.com](http://dometic.com) oppure contattare direttamente il fabbricante (vedere [dometic.com/dealer](http://dometic.com/dealer)).

Questo dispositivo è conforme al regolamento UN ECE R10.

|   | NRX0035(E/C/S)          | NRX0050(E/C/S)   | NRX0060(E/C/S) |
|---|-------------------------|------------------|----------------|
| Capienza  |                         |                  |                |
| • Comparto del frigorifero (solo NRX0035-0130[C/S])         | 27,3 L                  | 39,6 L           | 48,9 L         |
| • Comparto per prodotti congelati (solo NRX0035-0130[C/S])  | 4,4 L                   | 4,4 L            | 6,1 L          |
| • Capacità totale   | 32 L                    | 44 L             | 55 L           |
| • Capacità totale (comparto per prodotti congelati rimosso) | 34 L                    | 46 L             | 58 L           |
| Tensione di allacciamento                                   | 12 / 24 V <sup>==</sup> |                  |                |
| Protezione batteria di alimentazione (12 V)                 |                         |                  |                |
| • Tensione di interruzione                                  |                         | 10,4 V           |                |
| • Tensione di ripristino                                    |                         | 11,7 V           |                |
| Protezione batteria di alimentazione (24 V)                 |                         |                  |                |
| • Tensione di interruzione                                  |                         | 22,8 V           |                |
| • Tensione di ripristino                                    |                         | 24,2 V           |                |
| Classe climatica  | T                       |                  |                |
| Intervallo di temperatura di conservazione:                 |                         |                  |                |
| • Frigorifero   |                         | 0 °C ... 12 °C   |                |
| • Comparto per prodotti congelati (solo NRX0035-0130[C/S])  |                         | -15 °C ... -5 °C |                |
| • Modalità Freezer (solo NRX0035-0130[C/S])                 |                         | -6 °C            |                |

**IT NRX35-130**

|   | <b>NRX0035(E/C/S)</b>  | <b>NRX0050(E/C/S)</b>     | <b>NRX0060(E/C/S)</b>    |
|---|--|---------------------------|--------------------------|
| Uso a temperatura ambiente previsto       | 16 °C ... 43 °C  |                           |                          |
| Refrigerante                              | R134a  |                           |                          |
| Quantità di refrigerante                  | 24 g   | 26 g                      | 30 g                     |
| CO2 equivalente                           | 0,034 t  | 0,037 t                   | 0,043 t                  |
| Potenziale di riscaldamento globale (GWP) | 1430   |                           |                          |
| Emissioni acustiche (EN 60704)            | 40 ... 45 dB(A)  |                           |                          |
| Dimensioni A x L x P                      | 525 × 380 × 355 mm<br>(senza compressore e distanziale)<br>525 mm × 380 mm × 480 mm<br>(con compressore e distanziale) | 525 mm × 380 mm × 510 mm  | 525 mm × 448 mm × 537 mm |
| Peso netto                                | E: 13,5 kg<br>C, S: 16 kg  | E: 14,5 kg<br>C, S: 17 kg | E: 16 kg<br>C, S: 17 kg  |
| Carico massimo                            |  |                           |                          |
| • Per ripiano della porta                 | 4 kg   | 4 kg                      | 5 kg                     |
| • Per porta                               | E: 4 kg<br>C/S: 8 kg   | E: 4 kg<br>C/S: 8 kg      | E: 5 kg<br>C/S: 10 kg    |

|  | <b>NRX0080(E/C/S)</b>   | <b>NRX0115(E/C/S)</b> | <b>NRX0130(E/C/S)</b> |
|--|-------------------------|-----------------------|-----------------------|
| Capienza   |                         |                       |                       |
| • Comparto frigorifero (solo NRX0035 - 0130[C/S])            | 68,4 L                  | 104,5 L               | 118 L                 |
| • Comparto per prodotti congelati (solo NRX0035 - 0130[C/S]) | 6,6 L                   | 8,2 L                 | 8,2 L                 |
| • Capacità totale  | 75 L                    | 113 L                 | 126 L                 |
| • Capacità totale (scomparto per prodotti congelati rimosso) | 78 L                    | 116 L                 | 130 L                 |
| Tensione di allacciamento                                    | 12 / 24 V <sup>==</sup> |                       |                       |
| Protezione batteria di alimentazione (12 V)                  |                         |                       |                       |
| • Tensione di interruzione                                   |                         | 10,4 V                |                       |
| • Tensione di ripristino                                     |                         | 11,7 V                |                       |
| Protezione batteria di alimentazione (24 V)                  |                         |                       |                       |



|   | NRX0080(E/C/S)          | NRX0115(E/C/S)          | NRX0130(E/C/S)          |
|---|-------------------------|-------------------------|-------------------------|
| • Tensione di interruzione                                  |                         | 22,8 V                  |                         |
| • Tensione di ripristino                                    |                         | 24,2 V                  |                         |
| Classe climatica  |                         | T                       |                         |
| Intervallo di temperatura di conservazione                  |                         |                         |                         |
| • Frigorifero   |                         | 0 °C ... 12 °C          |                         |
| • Scomparto per prodotti congelati (solo NRX0035-0130(C/S)) |                         | -15 °C ... -5 °C        |                         |
| • Modalità Freezer (solo NRX0035-0130C/S)                   |                         | -6 °C                   |                         |
| Uso a temperatura ambiente previsto                         |                         | 16 °C ... 43 °C         |                         |
| Refrigerante  |                         | R134a                   |                         |
| Quantità di refrigerante                                    | 32 g                    | 40 g                    | 40 g                    |
| CO2 equivalente   | 0,046 t                 | 0,057 t                 | 0,057 t                 |
| Potenziale di riscaldamento globale (GWP)                   |                         | 1430                    |                         |
| Emissioni acustiche (EN 60704)                              |                         | 40 ... 45 dB(A)         |                         |
| Dimensioni A x L x P  | 625 × 475 × 537 mm      | 745 × 525 × 568 mm      | 812 × 525 × 568 mm      |
| Peso netto  | C, S: 20 kg<br>E: 18 kg | C, S: 26 kg<br>E: 24 kg | C, S: 27 kg<br>E: 25 kg |
| Carico massimo  |                         |                         |                         |
| • Per ripiano della porta                                   | 5 kg                    | 6 kg                    | 6 kg                    |
| • Per porta   | 10 kg                   | E: 12 kg<br>C/S: 18 kg  | E: 12 kg<br>C/S: 18 kg  |

## 14 Specifiche tecniche

Per consultare l'attuale dichiarazione di conformità UE dell'apparecchio, visitare la pagina del relativo prodotto sul sito [dometic.com](http://dometic.com) oppure contattare direttamente il fabbricante (vedere [dometic.com/dealer](http://dometic.com/dealer)).

Questo dispositivo è conforme al regolamento UN ECE R10.

|                                    | NRX0090V |
|------------------------------------|----------|
| Capienza                           |          |
| • Scomparto frigorifero            | 79 L     |
| • Scomparto per prodotti congelati | 8,4 L    |
| • Capacità totale                  | 87 L     |

|  | <b>NRX0090V</b>          |
|--|--------------------------|
| • Capacità totale (scomparto per prodotti congelati rimosso) | 92 L                     |
| Tensione di allacciamento                                    | 12 / 24 V <sup>==</sup>  |
| Protezione batteria di alimentazione (12 V)                  |                          |
| • Tensione di interruzione                                   | 10,4 V                   |
| • Tensione di ripristino                                     | 11,7 V                   |
| Protezione batteria di alimentazione (24 V)                  |                          |
| • Tensione di interruzione                                   | 22,8 V                   |
| • Tensione di ripristino                                     | 24,2 V                   |
| Consumo energetico   | 0,35 kWh / 24 h          |
| Classe climatica   | T                        |
| Intervallo di temperatura di conservazione                   |                          |
| • Frigorifero  | 0 °C ... 15 °C           |
| • Scomparto per prodotti congelati                           | -12 °C ... -5 °C         |
| • Modalità FREEZER   | -5 °C ± 2 °C             |
| Uso a temperatura ambiente previsto                          | 16 °C ... 43 °C          |
| Refrigerante   | R600a                    |
| Quantità di refrigerante                                     | 22 g                     |
| CO <sub>2</sub> equivalente                                  | 0,000 t                  |
| Potenziale di riscaldamento globale (GWP)                    | 3                        |
| Emissioni di rumore (EN60704)                                |                          |
| • Modalità PERFORMANCE                                       | < 40 dB(A)               |
| • Modalità QUIET   | 37 dB(A)                 |
| Dimensioni A x L x P   | 821 mm × 486 mm × 480 mm |
| Peso netto   | 22 kg                    |

## Nederlands

|    |                                 |     |
|----|---------------------------------|-----|
| 1  | Belangrijke opmerkingen.....    | 165 |
| 2  | Verklaring van de symbolen..... | 165 |
| 3  | Veiligheidsaanwijzingen.....    | 166 |
| 4  | Omvang van de levering.....     | 169 |
| 5  | Accessoires.....                | 169 |
| 6  | Beoogd gebruik.....             | 170 |
| 7  | Technische beschrijving.....    | 171 |
| 8  | Gebruik.....                    | 173 |
| 9  | Reiniging en onderhoud.....     | 181 |
| 10 | Problemen oplossen.....         | 184 |
| 11 | Garantie.....                   | 187 |
| 12 | Verwijdering.....               | 187 |
| 13 | Technische gegevens.....        | 188 |
| 14 | Technische gegevens.....        | 190 |

## 1 Belangrijke opmerkingen

Lees deze gebruiksaanwijzing zorgvuldig door en volg alle instructies, richtlijnen en waarschuwingen in deze handleiding op om ervoor te zorgen dat u het product te allen tijde op de juiste manier installeert, gebruikt en onderhoudt. Deze gebruiksaanwijzing MOET bij dit product worden bewaard.

Door het product te gebruiken, bevestigt u hierbij dat u alle instructies, richtlijnen en waarschuwingen zorgvuldig hebt gelezen en dat u de voorwaarden zoals hierin beschreven begrijpt en accepteert. U gaat ermee akkoord dit product alleen te gebruiken voor het beoogde doel en de beoogde toepassing en in overeenstemming met de instructies, richtlijnen en waarschuwingen zoals beschreven in deze gebruiksaanwijzing en in overeenstemming met de geldende wet- en regelgeving. Het niet lezen en opvolgen van de hierin beschreven instructies en waarschuwingen kan leiden tot letsel voor uzelf en anderen, schade aan uw product of schade aan andere eigendommen in de omgeving. Deze gebruiksaanwijzing, met inbegrip van de instructies, richtlijnen en waarschuwingen, en de bijbehorende documentatie kan onderhevig zijn aan wijzigingen en updates. Voor de recentste productinformatie, bezoek [documents.domestic.com](http://documents.domestic.com).

## 2 Verklaring van de symbolen

Een signaalwoord geeft informatie over veiligheid en eigendomsschade en geeft de mate of ernst van het gevaar aan.



### GEVAAR!

Duidt op een gevaarlijke situatie die, indien deze niet wordt voorkomen, ernstig letsel of de dood tot gevolg heeft.



### WAARSCHUWING!

Duidt op een gevaarlijke situatie die, indien deze niet wordt voorkomen, ernstig letsel of de dood tot gevolg kan hebben.



### VOORZICHTIG!

Duidt op een gevaarlijke situatie die, indien deze niet wordt voorkomen, licht of matig letsel tot gevolg kan hebben.



### LET OP!

Duidt op een situatie die, indien deze niet wordt voorkomen, kan leiden tot materiële schade.



**INSTRUCTIE** Aanvullende informatie voor het gebruik van het product.

## 3 Veiligheidsaanwijzingen

### Algemene veiligheid



#### **WAARSCHUWING! Gevaar voor elektrische schokken**

- > Montage en demontage van de koelkast mogen alleen door gekwalificeerd personeel worden uitgevoerd.
- > Laat installatiewerkzaamheden in vochtige ruimtes en bereiken die aan vocht zijn blootgesteld alleen uitvoeren door vakkundig personeel.
- > Als u de koelkast onder een omkasting of vergelijkbare omgeving installeert, moet u ervoor zorgen dat de koelkast beschermd is tegen regen en spattend water.
- > Als de koelkast zichtbaar is beschadigd, mag hij niet in gebruik worden genomen.
- > Reparaties aan deze koelkast mogen uitsluitend worden uitgevoerd door bevoegd personeel. Door verkeerde reparaties kunnen ernstige gevaren resp. beschadigingen aan de koelkast ontstaan.
- > Als de aansluitkabel van deze koelkast beschadigd is, moet deze, om gevaren te voorkomen, worden vervangen door de fabrikant, diens klantenservice of gelijkwaardig bevoegd personeel.
- > Zorg er bij het plaatsen van de koelkast voor dat het netsnoer niet verstrikt of beschadigd raakt.
- > Plaats geen meervoudige stekkerdozen of draagbare voedingen achter de koelkast.
- > Raak blanke leidingen nooit met blote handen aan.
- > Sluit het toestel aan op contactdozen die een goede verbinding garanderen, met name wanneer het toestel moet worden geaard.
- > Als het toestel wordt gevoed door netspanning, zorg er dan voor dat de stroomvoorziening een aardlekschakelaar of een differentieelschakelaar heeft. De installatie moet uitgevoerd worden in overeenstemming met alle regelgeving van toepassing, vooral in mogelijk vochtige ruimtes.



#### **WAARSCHUWING! Brandgevaar**

- > Het koelmiddelcircuit bevat een kleine hoeveelheid milieuvriendelijk, maar koelmiddel. Het schaadt de ozonlaag niet en versterkt het broeikaseffect niet. Lekkend koelmiddel kan vlam vatten.
- > Gebruik of bewaar de koelkast niet in nauwe ruimtes zonder of met minimale luchtstroom.
- > Houd de inbouwopening voor de koelkast vrij van elektrische componenten en lichtbronnen die tijdens normaal of afwijkend gebruik vonken of lichtbogen veroorzaken (bijv. relais of zekeringenkasten).
- > De isolatie van de koelkast bevat ontvlambaar cyclopentaan en vereist speciale verwijderingsprocedures. Breng het toestel aan het einde van zijn levensduur naar een geschikt recyclingcentrum.



#### **WAARSCHUWING! Explosiegevaar**

Bewaar geen explosiegevaarlijke stoffen, zoals spuitbussen met brandbaar drijfgas, in de koelkast.



#### **WAARSCHUWING! Gevaar voor de gezondheid**

- > Deze koelkast mag worden gebruikt door kinderen vanaf 8 jaar en ouder evenals door personen met verminderd fysiek, zintuiglijk of mentaal vermogen of gebrek aan kennis en ervaring, mits zij onder toezicht staan of zijn geïnstrueerd in het veilig gebruik van de koelkast en zij inzicht hebben in de gevaren die het gebruik ervan met zich meebrengt.
- > Kinderen van 3 tot 8 jaar mogen de koelkast alleen in- en uitruimen.
- > Reiniging en gebruikersonderhoud mogen niet door kinderen zonder toezicht worden uitgevoerd.

- > Er moet op worden gelet dat kinderen niet met de koelkast spelen.



### **WAARSCHUWING! Gevaar voor insluiting van kinderen**

- > Zorg ervoor dat de legplanken zodanig zijn gemonteerd en beveiligd dat kinderen zich niet in de koelkast kunnen opsluiten.
- > Voor het afvoeren van uw oude koelkast:
  - Demonteer de laden.
  - Laat de legplanken in de koelkast, zodat kinderen er niet in kunnen klimmen.
- > Haak de deuren uit.



### **VOORZICHTIG! Gevaar voor de gezondheid**

- > Om gevaar door instabiliteit van de koelkast te voorkomen, moet deze volgens de montagehandleiding worden bevestigd.
- > Houd ventilatieopeningen van de koelkast en in de behuizing of inbouwconstructie vrij.
- > Gebruik geen mechanische apparaten of andere middelen om het ontgooiproces te versnellen dan de door de fabrikant aanbevolen middelen.
- > Open of beschadig in geen geval de koelkring.
- > Gebruik geen elektrische toestellen in de koelkast, behalve als deze elektrische toestellen daarvoor door de fabrikant worden aanbevolen.



### **VOORZICHTIG! Gevaar voor letsel**

- > Gebruik of bewaar geen ontvlambare materialen in of in de buurt van deze koelkast.
- > Plaats geen voorwerpen op of tegen deze koelkast.
- > Breng geen wijzigingen aan in deze koelkast.



### **LET OP! Gevaar voor schade**

- > Kies uitsluitend voor het gebruik met gelijkstroom als de voertuigmotor draait en de dynamo voldoende spanning levert of als u een accumulator gebruikt.
- > Houd de condensafvoer, indien aanwezig, altijd schoon.
- > Gebruik voor de reiniging van het voertuig geen hogedrukreiniger rond het ventilatierooster als de koelkast ventilatieroosters heeft.
- > De koelkast mag niet aan regen worden blootgesteld.
- > Trek de stekker nooit aan de aansluitkabel uit de contactdoos.

## **Veiligheid bij gebruik van de koelkast**



### **GEVAAR! Gevaar voor elektrische schokken**

Let er voor de ingebruikname van de koelkast op dat voedingskabel en stekker droog zijn.



### **VOORZICHTIG! Gevaar voor de gezondheid**

- > Zorg ervoor alleen voorwerpen in de koelkast te leggen die op de gekozen temperatuur gekoeld mogen worden.
- > Reinig oppervlakken die in contact komen met voedsel en aftapsystemen regelmatig.
- > Bewaar rauw vlees en rauwe vis in geschikte bakken in de koelkast, zodat het niet in contact komt met andere levensmiddelen en er ook niet op kan druppelen.
- > Langdurig openen van de deur kan leiden tot een aanzienlijke temperatuurstijging in de compartimenten van de koelkast. Als de koelkast voor een langere periode leeg wordt gehouden:
  - Schakel de koelkast uit.

- Ontdooi de koelkast.
- Reinig en droog de koelkast.
- Laat de deur open om schimmelvorming in de koelkast te voorkomen. Zet de deur van de koelkast en die van de diepvries, indien aanwezig, in de winterpositie.



### **VOORZICHTIG! Gevaar voor letsel**

- > Grijp niet in het scharnier.
- > Sluit en vergrendel de koelkastdeur voordat u gaat rijden.
- > Het koelsysteem aan de achterzijde van de koelkast wordt tijdens het gebruik zeer heet. Als de koelkast is uitgerust met ventilatieroosters, bescherm uzelf dan tegen contact met warme onderdelen wanneer u de ventilatieroosters verwijderd.
- > De toesteldeur of vriezerdeur kunnen compleet losraken van het toestel als ze onjuist worden gebruikt. Druk de deuren dicht tot er een duidelijke klik aan de boven- en onderzijde hoorbaar is.



### **LET OP! Gevaar voor schade**

- > Leun niet op de geopende koelkastdeur.
- > Bewaar zware voorwerpen zoals flessen of conserven uitsluitend in de koelkastdeur, in het groentevak of op de onderste legplank.
- > Als de koelkast een dubbelzijdige deur heeft en de deur is niet correct vergrendeld aan de tegenoverliggende zijde, druk aan die zijde dan op de boven- en onderkant van de deur totdat deze vergrendelt.
- > **Gevaar voor oververhitting!** Let er altijd op dat de warmte die bij het gebruik ontstaat goed afgevoerd kan worden. Zorg ervoor dat het koelapparaat op voldoende afstand tot wanden en voorwerpen staat, zodat de lucht kan circuleren.
- > Vul het interieur niet met vloeistoffen of ijs.
- > Bescherm de koelkast en de kabel tegen hitte en vocht.
- > Trek de stekker nooit aan de aansluitkabel uit de contactdoos.



### **INSTRUCTIE**

- > Als het accubeheersysteem van uw voertuig de koelkast uitschakelt om de accu te beschermen, neem dan contact op met de voertuigfabrikant.
- > Selecteer de gemiddelde temperatuurinstelling voor omgevingstemperaturen van 15 °C ... 25 °C .
- > Als de deur niet correct vergrendeld is aan de tegenoverliggende zijde, druk aan die zijde dan op de boven- en onderzijde van de deur totdat deze vergrendelt.
- > Let op het volgende om voedselverspilling tegen te gaan:
  - Houd temperatuurschommelingen zo laag mogelijk. Open de vriezer uitsluitend indien nodig en slechts zo lang als noodzakelijk. Berg levensmiddelen zodanig op dat de lucht nog steeds goed kan circuleren.
  - Zorg ervoor alleen voorwerpen in de koelkast te leggen die op de gekozen temperatuur gekoeld mogen worden.
  - Bewaar de verschillende soorten levensmiddelen zoals afgebeeld.
  - Indien de temperatuur kan worden aangepast: Pas de temperatuur aan aan de hoeveelheid en het type levensmiddelen.
  - Levensmiddelen kunnen snel geuren en smaken opnemen of afgeven. Berg levensmiddelen daarom altijd afgedekt of in afgesloten bakken/flessen op.

## 4 Omvang van de levering

| Aantal | Beschrijving                       |
|--------|------------------------------------|
| 1      | Compressorkoelkast                 |
| 1      | Afvoerbochtstuk                    |
| 1      | Korte handleiding                  |
| 1      | Gebruiksaanwijzing (alleen online) |
| 1      | Montagehandleiding                 |

## 5 Accessoires

Verkrijgbaar als accessoires (niet bij de levering inbegrepen):

| Beschrijving                                      | Artikelnr. |
|---|------------|
| Sleepdeursysteem                                  | 9620012939 |
| Montageframe inclusief onderframe                 |            |
| • NRX0035, NRX0050                                | 9620012877 |
| • NRX0060   | 9620012881 |
| • NRX0080   | 9620012882 |
| • NRX0115   | 9620012878 |
| • NRX0130   | 9620012876 |
| Montageframe inclusief onderframe (zwart)         |            |
| • NRX0035, NRX0050                                | 9620012874 |
| • NRX0060   | 9620012875 |
| • NRX0080   | 9620012880 |
| • NRX0115   | 9620012879 |
| • NRX0130   | 9620012883 |
| Reservelegplank voor verwijderd vriescompartiment |            |
| • NRX0035, NRX0050                                | 9620012933 |
| • NRX0060   | 9620012938 |
| • NRX0080   | 9620012935 |
| • NRX0115, NRX0130                                | 9620012932 |

| Beschrijving       | Artikelnr.                         |
|--------------------|------------------------------------|
| Vriescompartiment  |                                    |
| • NRX0035, NRX0050 | 9620012931                         |
| • NRX0060          | 9620012936                         |
| • NRX0080          | 9620012934                         |
| • NRX0115, NRX0130 | 9620012937                         |
| AC/DC-adapter      | 9620013449 (EU)<br>9620013450 (UK) |

## 6 Beoogd gebruik

De koelkast is bestemd voor:

- Installatie in caravans, campers, boten en vrachtwagens
- Koelen en bewaren van voedsel
- **Alleen NRX0035–0130(C/S):** Diepvriesproducten bewaren
- Gebruik binnenshuis

Deze koelkast is niet bestemd voor commerciële, kleinhandel- en huishoudtoepassingen.

Deze koelkast is **niet** geschikt voor:

- De opslag van geneesmiddelen
- De opslag van corroderende substanties of substanties die oplosmiddelen bevatten
- Snel invriezen van levensmiddelen
- Gebruik buiten

Bij gebruik op boten moet de inrichting worden geïnstalleerd in een dagruimte en niet op in een open dek.

Het vriescompartiment is geschikt voor het bewaren van diepvriesproducten, het bewaren of maken van ijs en het maken van ijsblokjes. Het is niet geschikt voor het invriezen van eerder ontdoode levensmiddelen.

De koelkast is bestemd voor inbouw in een keukenkastje of in een inbouwnis.

Optimale koelprestaties worden geleverd bij omgevingstemperaturen tussen 16 °C ... 43 °C en bij een maximale vochtigheid van 90 % .

Dit product is alleen geschikt voor het beoogde gebruik en de toepassing in overeenstemming met deze gebruiksaanwijzing.

Deze handleiding geeft informatie die nodig is voor een correcte installatie en/of correct gebruik van het product. Een slechte installatie en/of onjuist gebruik of onderhoud leidt tot onvoldoende prestaties en mogelijke storingen.

De fabrikant aanvaardt geen aansprakelijkheid voor letsel of schade aan het product die het gevolg is van:

- Onjuiste installatie, montage of aansluiting, inclusief te hoge spanning
- Onjuist onderhoud of gebruik van andere dan door de fabrikant geleverde originele reserveonderdelen
- Wijzigingen aan het product zonder uitdrukkelijke toestemming van de fabrikant
- Gebruik voor andere doeleinden dan beschreven in deze handleiding



Dometic behoudt zich het recht voor om het uiterlijk en de specificaties van het product te wijzigen.

## 7 Technische beschrijving

De koelkast is een compressorkoelkast.

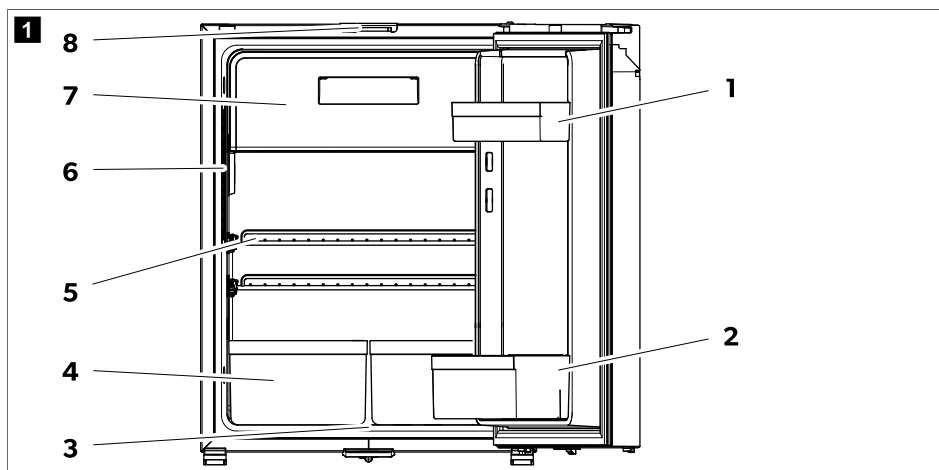
De koelkast is geschikt voor gebruik met verschillende soorten voeding en kan worden gebruikt op een DC- of AC-stroomvoorziening.

NRX0035-0130(C/S): Het model is af fabriek voorzien van een vriescompartiment, dat kan worden verwijderd en weer aangebracht.

De koelkastdeur heeft een vergrendelingsmechanisme dat als transportbeveiliging dient.

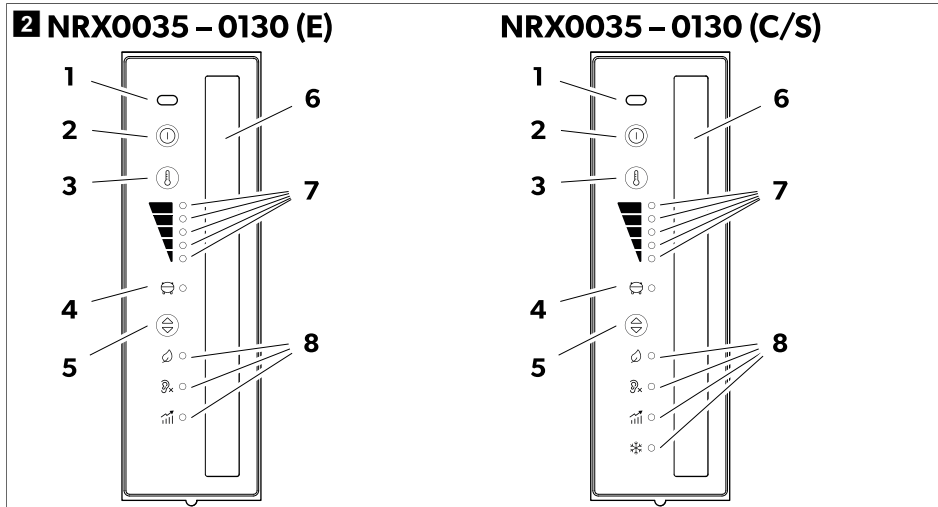
Alle in het koelapparaat gebruikte materialen zijn geschikt voor levensmiddelen.


### Toestelbeschrijving



| Nr. | Toelichting   |
|-----|---|
| 1   | Deurbak (alleen NRX0035-0130[C/S], NRX0080-0130[E]) |
| 2   | Flessenrek  |
| 3   | Condensafvoer                                       |
| 4   | Groentelade (alleen NRX0035-0130[C/S])              |
| 5   | Legplank  |
| 6   | Bedieningspaneel met display                        |
| 7   | Vriescompartiment (alleen NRX0035 - 0130[C/S])      |
| 8   | Deurvergrendeling voor ventilatie                   |

## Bedienings- en displayelementen



| Nr. | Toelichting  |
|-----|--|
| 1   | Infrarood-deuropeningssensor   |
| 2   | Ⓞ Aan/uit-knop   |
| 3   | Ⓜ Koelniveau-instelknop  |
| 4   | Compressor- en foutindicator   |
| 5   | Ⓢ Knop voor bedrijfsmodus  |
| 6   | Binnenverlichting  |
| 7   | Koelniveau-indicators<br> <ul style="list-style-type: none"> <li>■ Koelniveau 5</li> <li>▒ Koelniveau 4</li> <li>▓ Koelniveau 3</li> <li>▒ Koelniveau 2</li> <li>▓ Koelniveau 1</li> </ul> |
| 8   | Bedrijfsmodusindicators  |





### Compressor- en foutindicator

De compressor- en foutindicator geeft de bedrijfsstatus van de compressor aan of toont een fout:

| Kleur               | Beschrijving                                     |
|---------------------|--|
| Wit                 | Compressor aan                                   |
| Oranje              | Compressor uit                                   |
| Oranje (knipperend) | Fout (zie hoofdstuk Foutindicatie op pagina 187) |

## Bedrijfsmodusindicatoren

De bedrijfsmodusindicatoren geven de volgende instellopties weer:

| Symbol  | Beschrijving   |
|---|--|
|  | ECO-modus:<br>Werking met lager energieverbruik.<br>Koelniveau 1 – 3   |
|  | QUIET-modus:<br>Werking met lager geluidsniveau.<br>Koelniveau 1 – 4   |
|  | PERFORMANCE-modus:<br>Koelniveau 1 – 5   |
|  | FREEZER-modus (alleen NRX0035–0130[C/S]):<br>Werking met verwijderd vriescompartiment. Koelt de gehele binnenkant van de koelkast af tot –6 °C . |

## 8 Gebruik

### 8.1 Voor het eerste gebruik

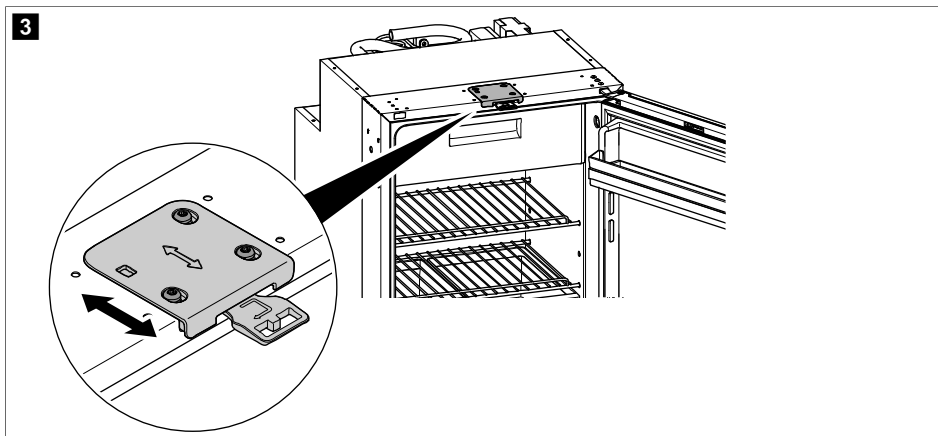


#### INSTRUCTIE

- > Bewaar de eerste 4 bedrijfsuren na starten geen waren in de koelkast.
- > Bij de eerste ingebruikname van de koelkast kunnen geurtjes ontstaan die na enkele uren vervliegen. Ventileer de ruimte goed.
- > Het koelvermogen kan worden beïnvloed door:
  - De omgevingstemperatuur (bijvoorbeeld als het voertuig is blootgesteld aan direct zonlicht)
  - De hoeveelheid levensmiddelen die moet worden gekoeld
  - Het aantal keren dat de deur wordt geopend
- > Reinig om hygiënische redenen de binnenkant van de koelkast (zie Reiniging en onderhoud op pagina 181).
- > Parkeer het voertuig horizontaal, in het bijzonder bij ingebruikname en bij het vullen van de koelkast voor het begin van de reis.

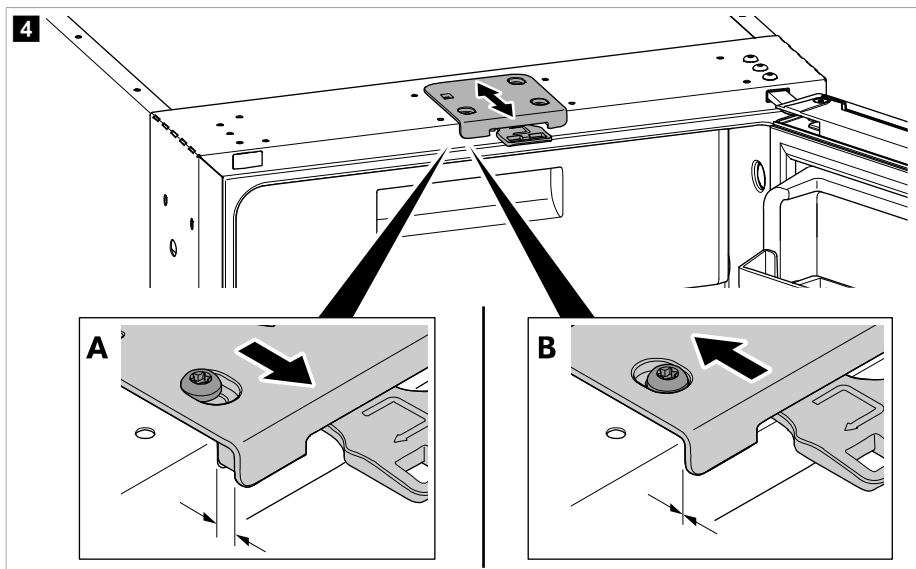
#### 8.1.1 De deurvergrendeling instellen

De deurvergrendeling bovenop de koelkast kan worden aangepast om de sluitbreedte van de deur te reguleren.



**i** **INSTRUCTIE** Controleer of de verstelbare deurvergrendeling is geïnstalleerd. Bestel de verstelbare deurvergrendeling indien nodig ([dometic.com](http://dometic.com)) en vervang de vaste deurvergrendeling met de verstelbare deurvergrendeling.

> De deurvergrendeling staat in de fabriek in stand **A**. Zet de deurvergrendeling in stand **B**.



**i** **INSTRUCTIE** Als de deurvergrendeling in stand **B** staat, zorg er dan voor dat de deur goed vergrendelt wanneer u deze dichtdoet (zie hoofdstuk De koelkastdeur sluiten en vergrendelen op pagina 176).

## 8.2 Informatie over opslag van levensmiddelen



### VOORZICHTIG! Gevaar voor de gezondheid

Als de koelkast gedurende langere tijd wordt blootgesteld aan een omgevingstemperatuur onder 10 °C, kan de regeling van de temperatuur in het vriescompartiment niet langer worden gegarandeerd. Dat kan tot gevolg hebben dat de temperatuur van het vriescompartiment stijgt en de opgeslagen levensmiddelen ontdooien.

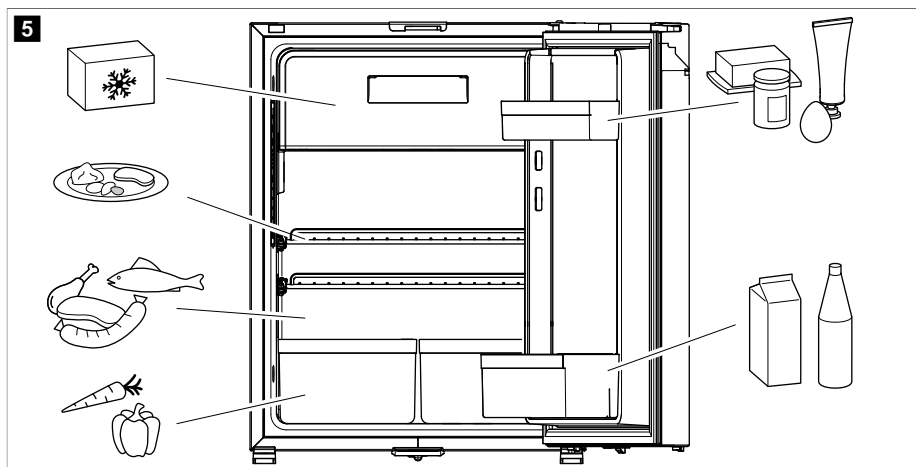


### LET OP! Gevaar voor schade

- > Let bij het inruimen van de koelkast op de maximale belasting per deurbak en deur (zie Technische gegevens op pagina 188).
- > Bewaar geen koolzuurhoudende dranken in het vriescompartiment.

Let op het volgende om voedselverspilling tegen te gaan:

- Houd temperatuurschommelingen zo laag mogelijk. Open de koelkast uitsluitend indien nodig en slechts zo lang als noodzakelijk. Berg levensmiddelen zodanig op dat de lucht nog steeds goed kan circuleren.
  - Pas de temperatuur aan aan de hoeveelheid en het type levensmiddelen.
  - Bewaar de verschillende soorten levensmiddelen zoals afgebeeld.
  - Levensmiddelen kunnen snel geuren en smaken opnemen of afgeven. Berg levensmiddelen daarom altijd afgedekt of in afgesloten bakken/flessen op.
- > Bewaar levensmiddelen zoals afgebeeld.



## 8.3 Energie besparen

- Open de koelkast uitsluitend indien nodig en slechts zo lang als noodzakelijk.
- Laat warme levensmiddelen eerst afkoelen alvorens deze in het toestel koel te houden.
- Ontdooi de koelkast zodra er zich een ijslaag gevormd heeft.
- Vermijd een onnodig lage binnentemperatuur.
- Plaats de legplanken en laden voor een optimaal energieverbruik in de positie zoals bij levering.
- Controleer regelmatig of de deurafdichting nog goed zit.
- Verwijder regelmatig stof en vuil van de condensor.

## 8.4 De koelkastdeur gebruiken



### VOORZICHTIG! Gevaar voor letsel

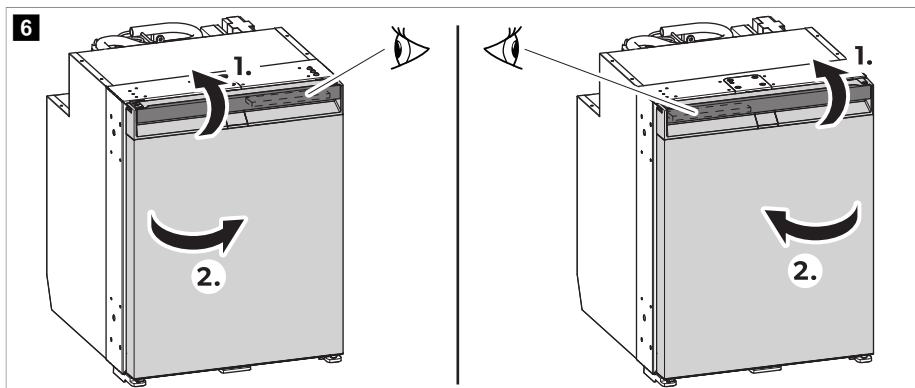
De koelkastdeur en het vriescompartiment kunnen compleet losraken van het toestel als ze onjuist worden gebruikt.

### 8.4.1 De koelkastdeur openen



**INSTRUCTIE** Trek aan de hendel aan de zijde tegenover de deuraanslag. Let op de desbetreffende positie van de schuif. Raadpleeg de bijbehorende installatiehandleiding.

> Ga om de koelkastdeur te openen te werk zoals afgebeeld.



### 8.4.2 De koelkastdeur sluiten en vergrendelen



### VOORZICHTIG! Gevaar voor letsel

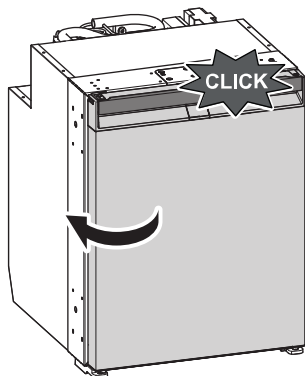
Als de deur niet correct is vergrendeld, druk dan voorzichtig aan de boven- en onderzijde tegen de deur totdat deze correct vergrendelt.



**INSTRUCTIE** De koelkastdeur heeft een vergrendelingsmechanisme dat ook als transportbeveiliging dient.

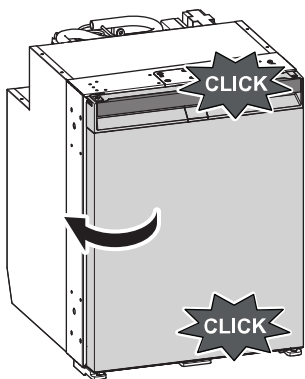
- > NRX0035-0130(E): Druk de deur dicht tot deze aan de bovenzijde hoorbaar vastklikt.

## 7 NRX0035 – 0130 (E)



- > NRX0035-0130(C/S): Druk de deur dicht tot een duidelijke klik aan de boven- en onderzijde hoorbaar is.

## 8 NRX0035 – 0130 (C/S)





- ✓ De deur is nu gesloten en vergrendeld.

## 8.5 In- en uitschakelen



**INSTRUCTIE** Schakel de koelkast altijd uit als u deze langere tijd niet gaat gebruiken.

- > Houd de knop  ten minste 2 s seconden ingedrukt om het toestel in te schakelen.
- ✓ De koelkast schakelt in met het laatst geselecteerde koelniveau en de laatst geselecteerde bedrijfsmodus.
- > Houd de knop  ten minste 2 s seconden ingedrukt om het toestel uit te schakelen.

## 8.6 De bedrijfsmodi instellen



**INSTRUCTIE** Bij gebruik van de ECO-, PERFORMANCE- of FREEZER-modus blijft het systeem in deze modus tot verdere wijzigingen worden aangebracht.

- > Druk om de bedrijfsmodus in te stellen herhaaldelijk op de knop  totdat de bedrijfsmodusindicator van de gewenste bedrijfsmodus gaat branden.

De volgende bedrijfsmodi zijn beschikbaar:

### De ECO-modus gebruiken

Als de ECO-modus is geactiveerd, werkt de koelkast met lager energieverbruik op de koelniveaus 1 – 3.

- √ De bedrijfsmodusindicator voor ECO-modus () en de geselecteerde koelniveau-indicator gaan branden.

### De QUIET-modus gebruiken

Als de QUIET-modus is geactiveerd, werkt de koelkast met een lager geluidsniveau op de koelniveaus 1 – 4.



#### INSTRUCTIE

- > De QUIET-modus is niet beschikbaar als de koelkast in de FREEZER-modus werkt.
- > Wanneer u de QUIET-modus gebruikt, blijft de koelkast 8 h in deze modus en keert deze vervolgens terug naar de eerder geselecteerde modus (ECO- of PERFORMANCE-modus).
- √ De bedrijfsmodusindicator voor QUIET-modus () en de geselecteerde koelniveau-indicator gaan branden.

### De PERFORMANCE-modus gebruiken

Als de PERFORMANCE-modus is geactiveerd, werkt de koelkast normaal op de koelniveaus 1 – 5.

- √ De bedrijfsmodusindicator voor PERFORMANCE-modus () en de geselecteerde koelniveau-indicator gaan branden.

### De FREEZER-modus gebruiken

Als de FREEZER-MODUS is geactiveerd, wordt de gehele binnenkant van de koelkast gekoeld tot  $-6^{\circ}\text{C}$ .



**INSTRUCTIE** Verwijder het vriescompartiment om de FREEZER-modus te gebruiken.

- √ De bedrijfsmodusindicator voor de FREEZER-modus () en alle koelniveau-indicators branden continu.

## 8.7 Het koelniveau instellen

- > Om het koelniveau in te stellen, drukt u herhaaldelijk op de knop  totdat het gewenste koelniveau is bereikt.

## 8.8 De legplanken herpositioneren



#### WAARSCHUWING! Gevaar voor insluiting van kinderen

NRX0060–0130: Alle legplanken zijn bevestigd om te voorkomen dat kinderen in de koelkast klimmen.

- > Verwijder de legplanken alleen voor reiniging.
- > Breng de legplanken weer aan en bevestig ze.

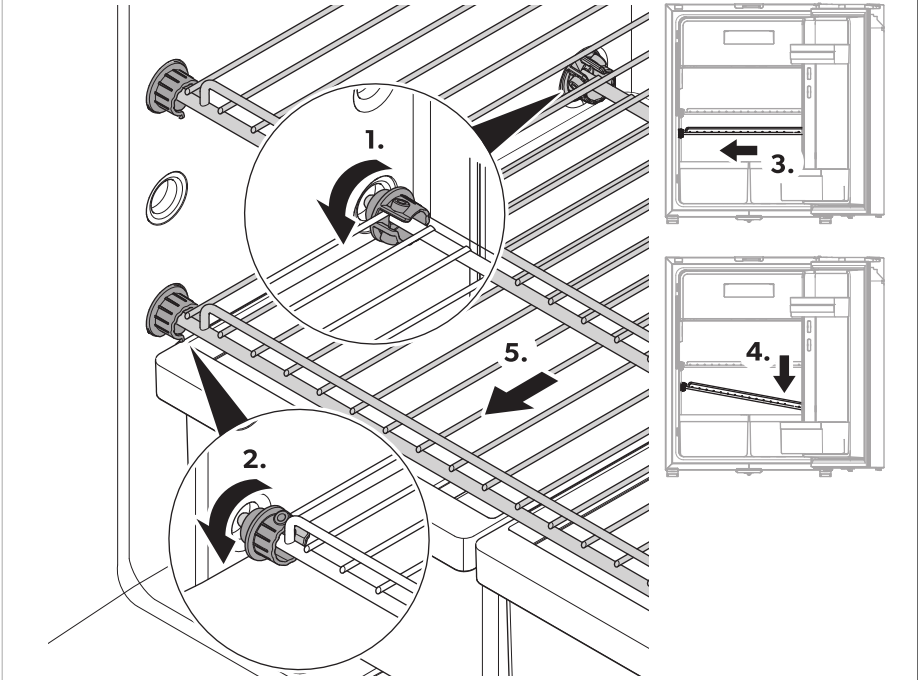




**INSTRUCTIE** Verwijder het vriescompartiment alvorens de legplanken te herpositioneren, zodat u gemakkelijker bij de achterste knoppen van de legplanken komt.

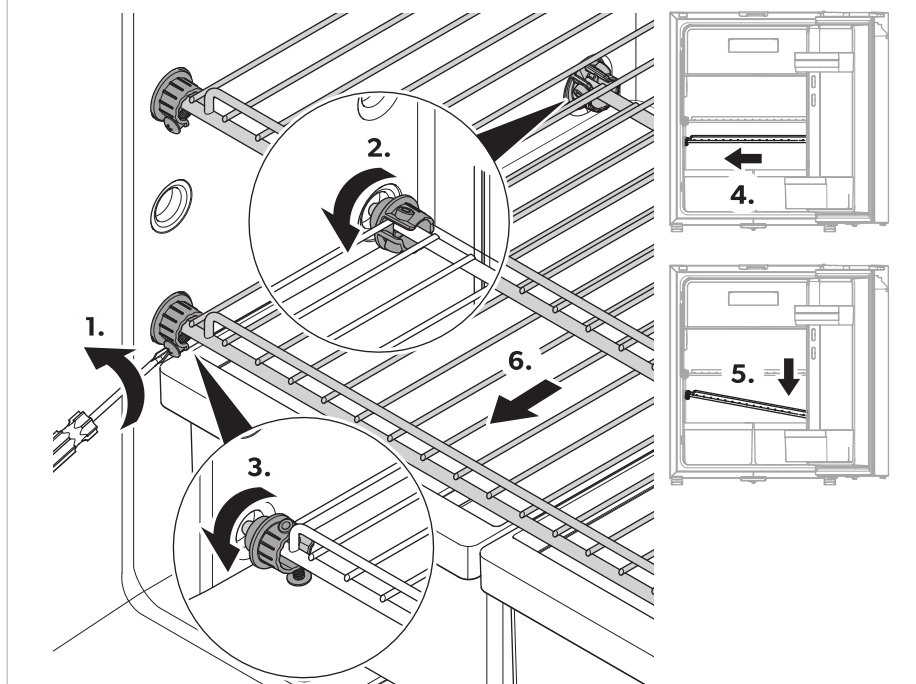
- > **NRX0035-0050:** Ga te werk zoals afgebeeld om de legplanken op de gewenste plaats te herpositioneren.

## 9 NRX0035 – 0050



- > **NRX0035-0050:** Ga om de legplanken te herpositioneren te werk zoals afgebeeld.

## 10 NRX0060 – 0130



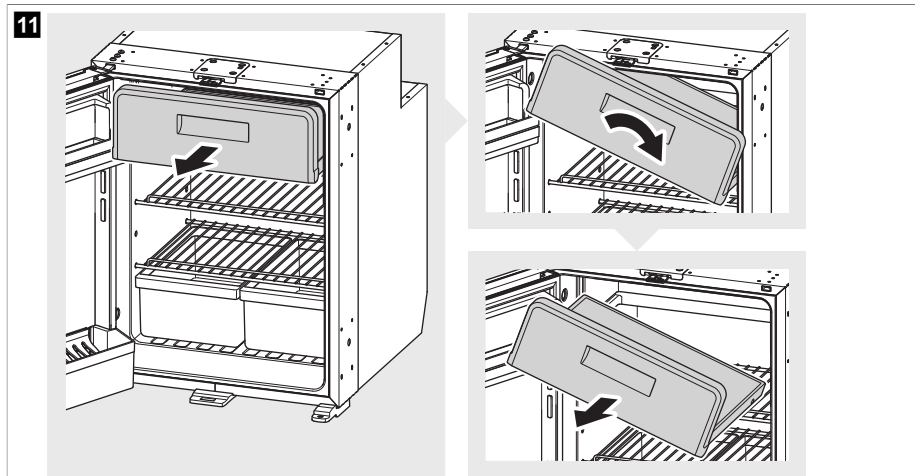
### 8.9 Het vriescompartiment verwijderen



#### LET OP! Gevaar voor schade

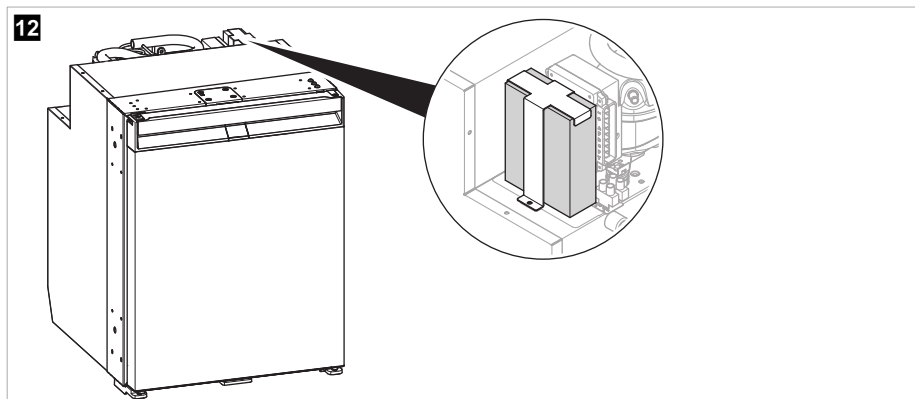
- > Sluit de deur van het vriescompartiment om het vriescompartiment te verwijderen.
- > Pak het vriescompartiment aan de onderkant vast. Trek niet aan de deur van het vriescompartiment.
- > Bewaar het vriescompartiment op een droge en veilige plaats.

- > Ga om het vriescompartiment te verwijderen te werk zoals afgebeeld.



## 8.10 De AC/DC-adapter monteren

- > Ga om de AC/DC-adapter (accessoires) te installeren te werk zoals afgebeeld.



## 9 Reiniging en onderhoud



### **WAARSCHUWING! Gevaar voor elektrische schokken**

Ontkoppel de koelkast altijd van de stroomvoorziening alvorens het te reinigen en onderhouden.



### **LET OP! Gevaar voor schade**

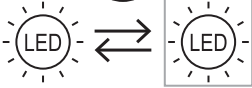
- > Gebruik geen schurende schoonmaakmiddelen of harde voorwerpen voor de reiniging.
- > Gebruik nooit harde of scherpe voorwerpen om ijs te verwijderen of om vastgevroren objecten los te maken.

- > Zorg ervoor dat er geen water in de afdichtingen druppelt. Dit kan de elektronica beschadigen.



**LET OP! Gevaar voor schade**

Om gevaren te voorkomen mag de lichtbron uitsluitend worden vervangen door de fabrikant, diens klantenservice of gelijkwaardig bevoegd personeel.



- > Maak de binnen- en buitenkant van de koelkast regelmatig schoon met een vochtige doek en zodra deze vuil wordt. Veeg de koelkast na het reinigen met een doek droog.
- > Controleer de condensatafvoer regelmatig.  
Reinig de condensatafvoer indien nodig. Als deze verstopt is, blijft het dooiwater achter op de bodem van de koelkast.
- > Verwijder regelmatig stof en vuil van de condensor met een vochtige doek.

**Koelkring**

De koelkring is onderhoudsvrij.

**Koelkast ontdooien**



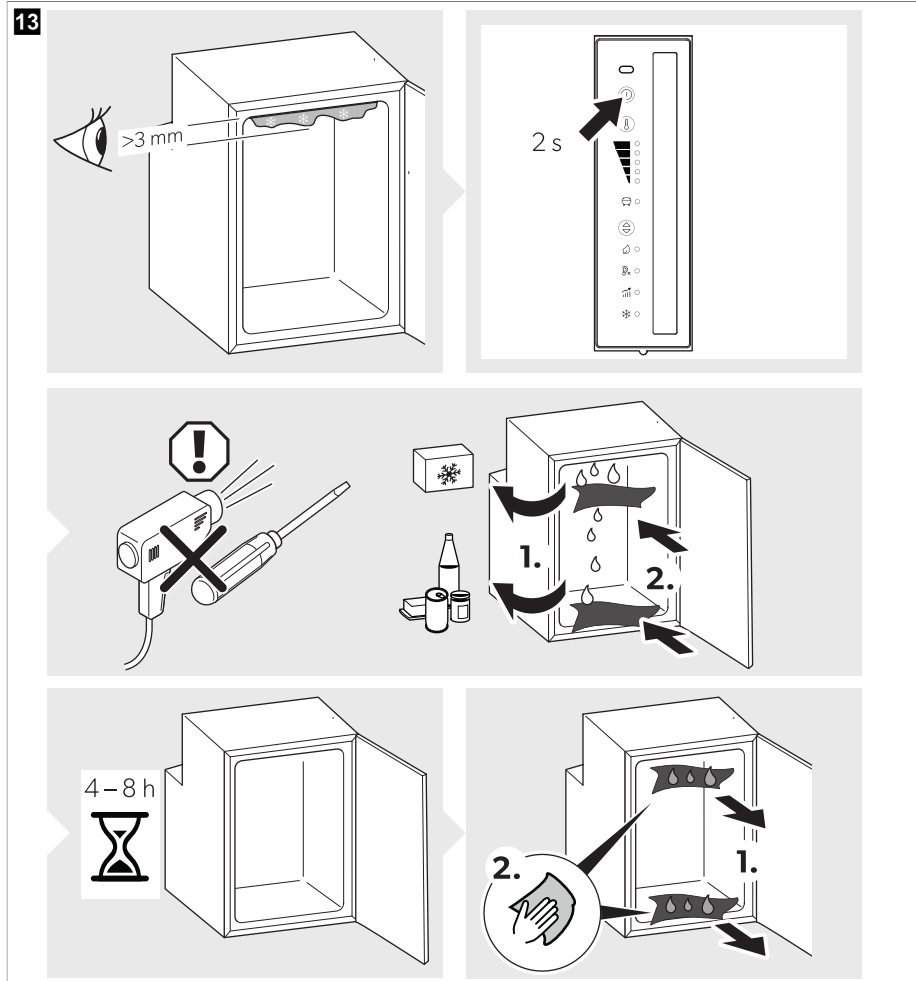
**LET OP! Gevaar voor schade**

Gebruik geen mechanische of andere hulpmiddelen om het ontdooien te versnellen.



**INSTRUCTIE** Na verloop van tijd vormt zich rijp op de achterwand in de koelkast. Als deze rijplaag ongeveer 3 mm dik is, moet de koelkast worden ontdooid.

> Ga om de koelkast te ontdooien te werk zoals afgebeeld.



### De koelkastdeur in de opslagpositie zetten



#### **VOORZICHTIG! Gevaar voor letsel**

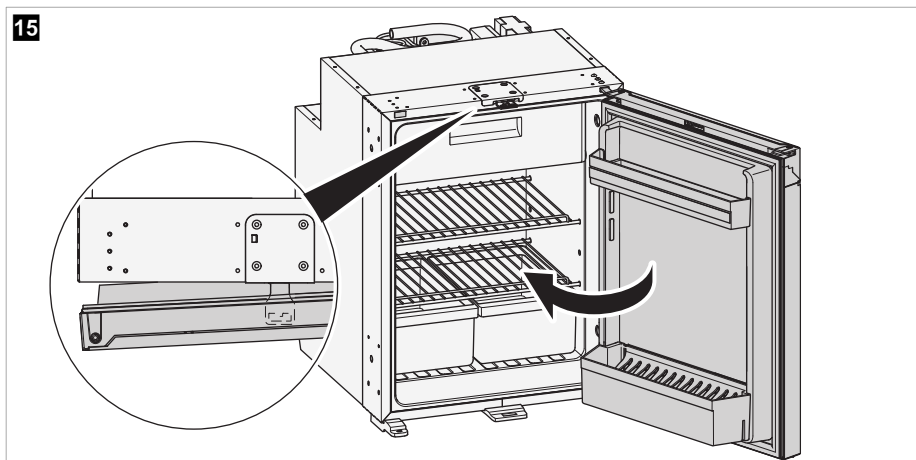
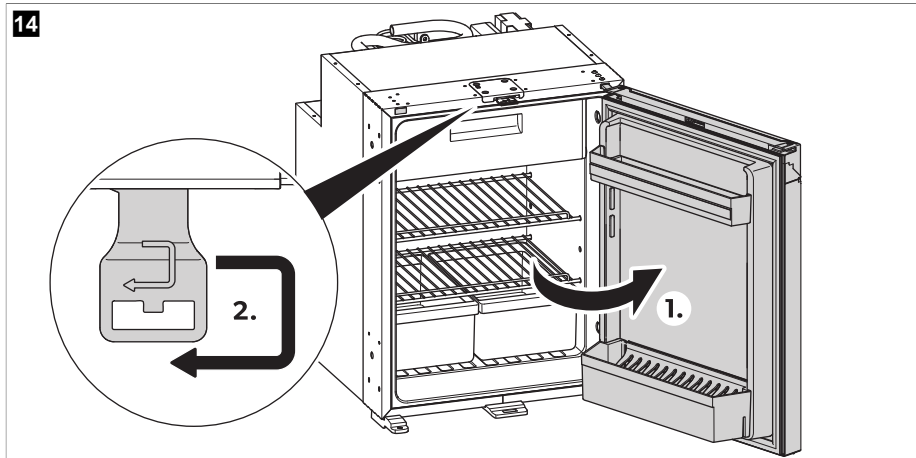
De koelkastdeur mag tijdens het rijden niet in de opslagpositie staan.



**INSTRUCTIE** Zet de koelkastdeur in de opslagpositie als u het toestel langdurig niet gaat gebruiken. Zo wordt schimmelvorming voorkomen.

> Ontdooi de koelkast (zie Koelkast ontdooien op pagina 182).

> Zet de koelkastdeur in de opslagpositie zoals afgebeeld.

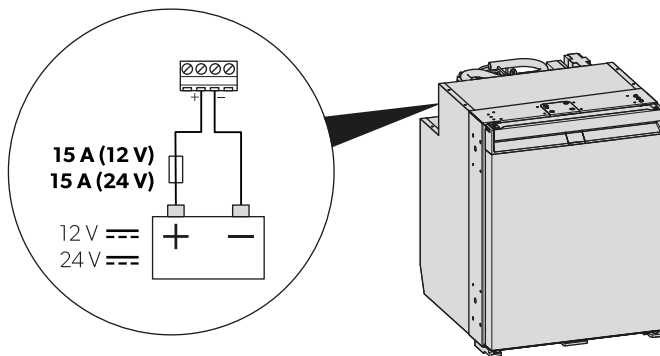



## 10 Problemen oplossen



**INSTRUCTIE** Voor een veilig gebruik van de 12 V-verbruikers in de caravan tijdens het rijden moet worden gegarandeerd dat het trekvoertuig voldoende spanning levert. Bij sommige voertuigen schakelt het accumanagement de verbruikers automatisch uit om de voertuigaccu te beschermen. Raadpleeg uw voertuigfabrikant voor meer informatie.

16



| Fout  | Mogelijke oorzaak  | Voorstel tot oplossing   |
|---|--|--|
| De koelkast werkt niet.   | De zekering in de gelijkstroomleiding is defect.   | > Vervang de zekering  afb. 16 op pagina 185.   |
|   | De voertuigzekering is doorgebrand.  | > Vervang de voertuigzekering.<br>Zie de gebruiksaanwijzing van uw voertuig.   |
|   | De voertuigaccu is ontladen.   | > Controleer de voertuigaccu, en laad deze op.   |
|   | De ontsteking is niet ingeschakeld.  | > Schakel het contact in.  |
|   | De temperatuur van de compressor is te laag (< 0 °C).  | > Sluit/bedek alle externe ventilatieroosters volledig met isolatiemateriaal.  |
|   | De koelkast schakelt automatisch uit als de spanning te laag is.<br>(Uitschakelspanning: 10,4 V $\equiv$ ) | > Laad de accu op. De koelkast schakelt automatisch weer in.<br>(Inschakelspanning: 11,7 V $\equiv$ )  |
| Slechte koeling, binnentemperatuur stijgt. De compressor loopt permanent. | De beluchting rond het aggregaat is onvoldoende.   | > Controleer of het ventilatierooster vrij is.<br>> Zet de koelkast op een andere plek.  |
|   | De binnenwanden zijn met ijs bedekt.   | > Controleer of de koelkastdeur correct sluit.<br>> Controleer of de koelkastafdichting correct afsluit en onbeschadigd is.<br>> Ontdooi de koelkast (zie Koelkast ontdooien op pagina 182). |
|   | De temperatuur is te hoog ingesteld.   | > Selecteer een lagere temperatuur.  |
|   | De omgevingstemperatuur is te hoog.  | > Verwijder het ventilatierooster tijdelijk, zodat de warme lucht sneller ontwijkt.  |
|   | Er werden te veel levensmiddelen in een keer in de koelkast geplaatst.                                     | > Verwijder een deel van de levensmiddelen.  |

| Fout   | Mogelijke oorzaak  | Voorstel tot oplossing   |
|--|--|--|
|  | Er werden te veel warme levensmiddelen in een keer in de koelkast geplaatst.                               | > Neem de warme levensmiddelen eruit. Laat ze afkoelen, alvorens ze er opnieuw in te doen. |
|  | De koelkast is nog niet lang in gebruik.   | > Controleer de temperatuur opnieuw na 4 h / 5 h.  |
|  | De condensor is vuil.  | > Reinig de condensor (zie hoofdstuk Reiniging en onderhoud op pagina 181).                |
|  | De ventilator is defect.   | > Neem contact op met een geautoriseerde klantenservice.                                   |
| Slechte koeling, binnentemperatuur stijgt.<br><br>De compressor loopt niet vaak.                           | De accucapaciteit is afgenomen.  | > Laad de accu op.   |
| Slechte koeling, binnentemperatuur stijgt.<br><br>De compressor loopt niet (accu-verbinding).              | Er is een onderbreking in de verbinding tussen accu en elektronica.  | > Maak een verbinding.   |
|  | De hoofdschakelaar is defect (indien aanwezig).  | > Vervang de hoofdschakelaar.  |
|  | De extra leidingzekerings is doorgebrand (indien aanwezig).  | > Vervang de leidingzekerings.   |
|  | De accuspanning is te laag.  | > Laad de accu op.   |
|  | De accucapaciteit is te laag.  | > Vervang de accu.   |
|  | De kabels zitten los.<br>Het contact is slecht (corrosie).   | > Maak een verbinding.   |
|  | De kabeldoorsnede is te klein.   | > Vervang de kabel.  |
| De compressor is defect.   | > Neem contact op met een geautoriseerde klantenservice.   |  |
| Slechte koeling, binnentemperatuur stijgt.<br><br>De compressor loopt niet (aansluiting op wisselspanning) | De toevoerleiding van de aansluiting is onderbroken.   | > Maak een verbinding.   |
|  | De hoofdschakelaar is defect (indien aanwezig).  | > Vervang de hoofdschakelaar.  |
|  | De extra leidingzekerings is doorgebrand (indien aanwezig).  | > Vervang de leidingzekerings.   |
|  | De compressor is defect.   | > Neem contact op met een geautoriseerde klantenservice.                                   |
| Abnormale geluiden.  | Een component van de koelkring kan niet vrij bewegen (ligt tegen de wand aan).                             | > Buig de component voorzichtig van het obstakel af.                                       |
|  | Er is een vreemd voorwerp tussen koelaggregaat en wand geklemd.  | > Verwijder het voorwerp.  |
|  | Ventilatorgeluid.  | > Neem contact op met een geautoriseerde klantenservice.                                   |
| De deur gaat onbedoeld open bij het bewegen (bijvoorbeeld tijdens het rijden).                             | De deurvergrendeling staat in stand <b>A</b> (zie hoofdstuk De deurvergrendeling instellen op pagina 173). | > Zet de deurvergrendeling in stand <b>B</b> .   |



| Fout                     | Mogelijke oorzaak  | Voorstel tot oplossing   |
|--------------------------|--|--|
| De deur sluit niet goed. | De deurvergrendeling staat in stand <b>A</b> (zie hoofdstuk De deurvergrendeling instellen op pagina 173).                                       | > Zet de deurvergrendeling in stand <b>B</b> .                       |
|                          | De deurvergrendeling staat in stand <b>B</b> (zie hoofdstuk De deurvergrendeling instellen op pagina 173) maar de deur is niet goed vergrendeld. | > Zorg ervoor dat de deur goed vergrendelt wanneer u deze dichtdoet. |

## Foutindicatie



### INSTRUCTIE

- > Alle fouten worden aangegeven door de oranje knipperende foutindicator (zie Bedienings- en displayelementen op pagina 172). Het aantal flitsen hangt af van het type storing. Elke flits duurt een kwart van een seconde. Na de serie flitsen volgt een pauze. De reeks voor de storing wordt om de vier seconden herhaald.
- > In ECO-, PERFORMANCE- en FREEZER-modus, klinkt er een extra pieptoon.

| Knipperfrequentie | Error                                       | Mogelijke oorzaak  |
|-------------------|---|--|
| 1                 | Te lage of te hoge spanning                 | De voedingsspanning ligt buiten het ingestelde bereik.   |
| 2                 | Overstroom ventilator                       | De ventilator belast de elektronische eenheid met meer dan 1 A.  |
| 3                 | De motor start niet                         | De rotor zit vast.<br>Het drukverschil in het koelsysteem is te hoog.                                  |
| 4                 | Te laag toerental                           | Als het koelsysteem overbelast is, kan het minimale toerental van de motor niet worden aangehouden.    |
| 5                 | Oververhitting van de elektronische eenheid | Bij te sterk belast koelsysteem of te hoog ingestelde temperatuur kan de elektronica oververhit raken. |
| Permanent         | Fouten van de temperatuursensor             | Temperatuursensor is defect.   |

## 11 Garantie

De wettelijke garantieperiode is van toepassing. Als het product defect is, neem dan contact op met de vestiging van de fabrikant in uw land (zie [dometic.com/dealer](http://dometic.com/dealer)) of uw verkoper.

Stuur voor de afhandeling van reparaties of garantie de volgende documenten mee:

- Een kopie van de factuur met datum van aankoop
- De reden voor de claim of een beschrijving van de fout

Houd er rekening mee dat eigenmachtige of niet-professionele reparatie gevolgen voor de veiligheid kan hebben en dat de garantie hierdoor kan komen te vervallen.

## 12 Verwijdering



**LET OP! Gevaar voor schade**

De isolatie van het koeltoestel bevat ontvlambaar cyclopentaan en vereist speciale verwerkingsprocedures. Breng het koeltoestel aan einde van zijn levensduur naar een erkend afvalverwerkingsbedrijf.



Gooi het verpakkingsmateriaal indien mogelijk altijd in recyclingafvalbakken. Vraag het dichtstbijzijnde recyclingcentrum of uw dealer naar informatie over hoe het product kan worden weggegooid in overeenstemming met alle van toepassing zijnde nationale en lokale regelgeving. Europa: Het product kan gratis worden afgevoerd.

## 13 Technische gegevens

Raadpleeg de desbetreffende productpagina op [dometic.com](http://dometic.com) of neem direct contact op met de fabrikant (zie [dometic.com/dealer](http://dometic.com/dealer)) voor de actuele EU-conformiteitsverklaring voor uw toestel.

Dit toestel voldoet aan VN/ECE-reglement R10.

|  | <b>NRX0035(E/C/S)</b>    | <b>NRX0050(E/C/S)</b> | <b>NRX0060(E/C/S)</b> |
|--|--------------------------|-----------------------|-----------------------|
| Capaciteit   |                          |                       |                       |
| • Koelvak (alleen NRX0035–0130[C/S])               | 27,3 L                   | 39,6 L                | 48,9 L                |
| • Vriescompartiment (alleen NRX0035–0130[C/S])     | 4,4 L                    | 4,4 L                 | 6,1 L                 |
| • Totale capaciteit                                | 32 L                     | 44 L                  | 55 L                  |
| • Totale capaciteit (vriescompartiment verwijderd) | 34 L                     | 46 L                  | 58 L                  |
| Aansluitspanning                                   | 12 / 24 V <sup>===</sup> |                       |                       |
| Voedingsaccubescherming (12 V)                     |                          |                       |                       |
| • Uitschakelspanning                               |                          | 10,4 V                |                       |
| • Herinschakelspanning                             |                          | 11,7 V                |                       |
| Voedingsaccubescherming (24 V)                     |                          |                       |                       |
| • Uitschakelspanning                               |                          | 22,8 V                |                       |
| • Herinschakelspanning                             |                          | 24,2 V                |                       |
| Klimaatklasse                                      | T                        |                       |                       |
| Temperatuurbereik voor opslag:                     |                          |                       |                       |
| • Koelkast   |                          | 0 °C ... 12 °C        |                       |
| • Vriescompartiment (alleen NRX0035–0130[C/S])     |                          | –15 °C ... –5 °C      |                       |
| • Freezer-modus (alleen NRX0035–0130[C/S])         |                          | –6 °C                 |                       |
| Beoogde omgevingstemperatuur                       | 16 °C ... 43 °C          |                       |                       |
| Koelmiddel   | R134a                    |                       |                       |
| Hoeveelheid koelmiddel                             | 24 g                     | 26 g                  | 30 g                  |
| CO2-equivalent                                     | 0,034 t                  | 0,037 t               | 0,043 t               |

|                              | NRX0035(E/C/S)  | NRX0050(E/C/S)            | NRX0060(E/C/S)           |
|------------------------------|---|---------------------------|--------------------------|
| Aardopwarmingsvermogen (GWP) | 1430  |                           |                          |
| Geluidsemissie (EN 60704)    | 40 ... 45 dB(A)   |                           |                          |
| Afmetingen h x b x d         | 525 × 380 × 355 mm<br>(zonder compressor en afstandsstuk)<br>525 mm × 380 mm × 480 mm<br>(met compressor en afstandsstuk) | 525 mm × 380 mm × 510 mm  | 525 mm × 448 mm × 537 mm |
| Nettogewicht                 | E: 13,5 kg<br>C, S: 16 kg   | E: 14,5 kg<br>C, S: 17 kg | E: 16 kg<br>C, S: 17 kg  |
| Maximale belading            |   |                           |                          |
| • Per deurbak                | 4 kg  | 4 kg                      | 5 kg                     |
| • Per deur                   | E: 4 kg<br>C/S: 8 kg  | E: 4 kg<br>C/S: 8 kg      | E: 5 kg<br>C/S: 10 kg    |

|  | NRX0080(E/C/S)          | NRX0115(E/C/S)   | NRX0130(E/C/S) |
|--|-------------------------|------------------|----------------|
| Capaciteit   |                         |                  |                |
| • Koelvak (alleen NRX0035 - 0130[C/S])             | 68,4 L                  | 104,5 L          | 118 L          |
| • Vriescompartiment (alleen NRX0035 - 0130[C/S])   | 6,6 L                   | 8,2 L            | 8,2 L          |
| • Totale capaciteit                                | 75 L                    | 113 L            | 126 L          |
| • Totale capaciteit (vriescompartiment verwijderd) | 78 L                    | 116 L            | 130 L          |
| Aansluitspanning                                   | 12 / 24 V <sup>==</sup> |                  |                |
| Voedingsaccubescherming (12 V)                     |                         |                  |                |
| • Uitschakelspanning                               |                         | 10,4 V           |                |
| • Herinschakelspanning                             |                         | 11,7 V           |                |
| Voedingsaccubescherming (24 V)                     |                         |                  |                |
| • Uitschakelspanning                               |                         | 22,8 V           |                |
| • Herinschakelspanning                             |                         | 24,2 V           |                |
| Klimaatklasse                                      | T                       |                  |                |
| Opslagtemperatuurbereik                            |                         |                  |                |
| • Koelkast   |                         | 0 °C ... 12 °C   |                |
| • Vriescompartiment (alleen NRX0035-0130[C/S])     |                         | -15 °C ... -5 °C |                |

|  | <b>NRX0080(E/C/S)</b> | <b>NRX0115(E/C/S)</b>  | <b>NRX0130(E/C/S)</b>  |
|--|-----------------------|------------------------|------------------------|
| • Freezer-modus (alleen NRX0035-0130C/S) | -6 °C                 |                        |                        |
| Beoogde omgevingstemperatuur             | 16 °C ... 43 °C       |                        |                        |
| Koelmiddel                               | R134a                 |                        |                        |
| Hoeveelheid koelmiddel                   | 32 g                  | 40 g                   | 40 g                   |
| CO2-equivalent                           | 0,046 t               | 0,057 t                | 0,057 t                |
| Aardopwarmingsvermogen (GWP)             | 1430                  |                        |                        |
| Geluidsemissie (EN 60704)                | 40 ... 45 dB(A)       |                        |                        |
| Afmetingen h x b x d                     | 625 × 475 × 537 mm    | 745 × 525 × 568 mm     | 812 × 525 × 568 mm     |
| Nettogewicht                             | C, S: 20 kg           | C, S: 26 kg            | C, S: 27 kg            |
|  | E: 18 kg              | E: 24 kg               | E: 25 kg               |
| Maximale belading                        |                       |                        |                        |
| • Per deurbak                            | 5 kg                  | 6 kg                   | 6 kg                   |
| • Per deur                               | 10 kg                 | E: 12 kg<br>C/S: 18 kg | E: 12 kg<br>C/S: 18 kg |

## 14 Technische gegevens

Raadpleeg de desbetreffende productpagina op [dometic.com](http://dometic.com) of neem direct contact op met de fabrikant (zie [dometic.com/dealer](http://dometic.com/dealer)) voor de actuele EU-conformiteitsverklaring voor uw toestel.

Dit toestel voldoet aan VN/ECE-reglement R10.

|  | <b>NRX0090V</b>         |
|--|-------------------------|
| Capaciteit   |                         |
| • Koelvak  | 79 L                    |
| • Vriescompartiment                                | 8,4 L                   |
| • Totale capaciteit                                | 87 L                    |
| • Totale capaciteit (vriescompartiment verwijderd) | 92 L                    |
| Aansluitspanning                                   | 12 / 24 V <sup>==</sup> |
| Voedingsaccubeschermering (12 V)                   |                         |
| • Uitschakelspanning                               | 10,4 V                  |
| • Herinschakelspanning                             | 11,7 V                  |
| Voedingsaccubeschermering (24 V)                   |                         |
| • Uitschakelspanning                               | 22,8 V                  |
| • Herinschakelspanning                             | 24,2 V                  |
| Energieverbruik                                    | 0,35 kWh / 24 h         |

|                              | <b>NRX0090V</b>          |
|------------------------------|--------------------------|
| Klimaatklasse                | T                        |
| Opslagtemperatuurbereik      |                          |
| • Koelkast                   | 0 °C ... 15 °C           |
| • Vriescompartiment          | -12 °C ... -5 °C         |
| • FREEZER-modus              | -5 °C ± 2 °C             |
| Beoogde omgevingstemperatuur | 16 °C ... 43 °C          |
| Koelmiddel                   | R600a                    |
| Hoeveelheid koelmiddel       | 22 g                     |
| CO <sub>2</sub> equivalent   | 0,000 t                  |
| Aardopwarmingsvermogen (GWP) | 3                        |
| Geluidsemissie (EN60704)     |                          |
| • PERFORMANCE-modus          | < 40 dB(A)               |
| • QUIET-modus                | 37 dB(A)                 |
| Afmetingen h x b x d         | 821 mm × 486 mm × 480 mm |
| Nettogewicht                 | 22 kg                    |

## Dansk

|    |                                   |     |
|----|-----------------------------------|-----|
| 1  | Vigtige henvisninger.....         | 192 |
| 2  | Forklaring af symboler.....       | 192 |
| 3  | Sikkerhedsanvisninger.....        | 193 |
| 4  | Leveringsomfang.....              | 195 |
| 5  | Tilbehør.....                     | 195 |
| 6  | Korrekt brug.....                 | 197 |
| 7  | Teknisk beskrivelse.....          | 197 |
| 8  | Betjening.....                    | 200 |
| 9  | Rengøring og vedligeholdelse..... | 208 |
| 10 | Udbedring af fejl.....            | 211 |
| 11 | Garanti.....                      | 214 |
| 12 | Bortskaffelse.....                | 214 |
| 13 | Tekniske data.....                | 215 |
| 14 | Tekniske data.....                | 217 |

## 1 Vigtige henvisninger

Læs og følg alle disse anvisninger, retningslinjer og advarsler i denne produktvejledning grundigt for at sikre, at du altid installerer, bruger og vedligeholder produktet korrekt. Disse anvisninger SKAL opbevares sammen med dette produkt.

Ved at benytte produktet bekræfter du hermed, at du har læst alle anvisninger, retningslinjer og advarsler grundigt, og at du forstår og er indforstået med de vilkår og betingelser, der er fastlagt heri. Du er indforstået med kun at bruge dette produkt til det beregnede formål og anvendelse i overensstemmelse med anvisningerne, retningslinjerne og advarslerne i denne produktvejledning samt i overensstemmelse med alle de gældende love og forskrifter. Manglende læsning og ignorering af disse anvisninger og advarsler kan medføre kvæstelser på dig selv og andre, skade på dit produkt eller skade på anden ejendom i nærheden. Der tages forbehold for eventuelle ændringer og opdateringer af denne produktvejledning samt anvisningerne, retningslinjerne og advarslerne samt den tilhørende dokumentation. Se [documents.dometic.com](http://documents.dometic.com) for de nyeste produktinformationer.

## 2 Forklaring af symboler

Et signalord vil identificere sikkerhedsmeddelelser og meddelelser om skade på ejendom og vil også angive graden eller niveauet af farens alvor.



### FARE!

Angiver en farlig situation, som medfører dødsfald eller alvorlig kvæstelse, såfremt den ikke undgås.



### ADVARSEL!

Angiver en farlig situation, som kan medføre dødsfald eller alvorlig kvæstelse, såfremt den ikke undgås.



### FORSIGTIG!

Angiver en farlig situation, som kan medføre mindre eller lette kvæstelser, såfremt den ikke undgås.



### VIGTIGT!

Angiver en situation, som kan medføre materielle skader, såfremt den ikke undgås.



**BEMÆRK** Supplerende oplysninger om betjening af produktet.

## 3 Sikkerhedsanvisninger

### Grundlæggende sikkerhed



#### ADVARSEL! Fare for elektrisk stød

- > Installation og fjernelse af køleskabet må kun udføres af fagfolk.
- > Lad kun en fagmand udføre installation i vådrum og områder, der er udsat for vand.
- > Hvis køleskabet opstilles under et solsejl eller i lignende omgivelser, skal det sikres, at køleskabet er beskyttet mod regn og vandstænk.
- > Hvis køleskabet har synlige beskadigelser, må du ikke tage det i brug.
- > Reparationer på dette køleskab må kun foretages af fagfolk. Ved ukorrekte reparationer kan der opstå betydelige farer eller skader på køleskabet.
- > Hvis dette køleskabs tilslutningskabel beskadiges, skal det udskiftes af producenten, dennes kundeservice eller en lignende kvalificeret person for at undgå farer.
- > Når køleskabet placeres, skal det sikres, at strømkablet ikke sidder i klemme eller beskadiges.
- > Placér ikke flere bærbare stikdåser eller bærbare strømforsyninger bagved køleskabet.
- > Tag aldrig fat i uisolerede ledninger med bare hænder.
- > Sæt apparatet i stikdåser, der sikrer en korrekt forbindelse, især når apparatet skal forbindes med jord.
- > Hvis apparatet forsynes via elnetttilslutningen, skal du sikre, at strømforsyningen har en FI-afbryder eller et fejlstrømsrelæ. Installationen skal udføres i overensstemmelse med alle gældende bestemmelser, især i potentielt fugtige områder.



#### ADVARSEL! Brandfare

- > Kølemiddelkredslobet indeholder en lille mængde miljøvenligt, kølemiddel. Det skader ikke ozonlaget og det bidrager ikke til at øge drivhuseffekten. Alle lækkede kølemidler kan antændes.
- > Køleskabet må ikke anvendes eller opbevares ved trænge pladsforhold eller ved en minimal luftstrøm.
- > Hold køleskabets monteringsniche fri for elektriske komponenter og lyskilder, der frembringer gnister eller lysbuer under normal eller unormal drift (f.eks. relæer eller sikringskasser).
- > Køleskabets isolering indeholder brændbar cyklopentan og kræver særlige bortskaffelsesprocedurer. Aflevér køleskabet på genbrugsstationen ved afslutningen af dets levetid.



#### ADVARSEL! Eksplosionsfare

Opbevar ikke eksplosive stoffer, som f.eks. spraydåser med drivgas, i køleskabet.



#### ADVARSEL! Sundhedsfare

- > Dette køleskab kan anvendes af børn over 8 år og personer med nedsatte fysiske, sensoriske eller mentale evner eller manglende erfaring eller viden, hvis de er under opsyn eller er blevet instrueret i sikker brug af apparatet og forstår de involverede farer.
- > Børn i alderen fra 3 til 8 år må fylde og tømme køleskabet.
- > Rengøring og vedligeholdelse må ikke udføres af børn uden opsyn.
- > Børn bør være under opsyn for at sikre, at de ikke leger med køleskabet.



#### ADVARSEL! Risiko for, at børn kan blive lukket inde

- > Kontrollér, at hyldeerne er monteret og sikret korrekt, så børn ikke kan låse sig selv inde i køleskabet.
- > Før det gamle køleskab bortskaffes:
  - Afmonter skuffen.
  - Lad hyldeerne blive i køleskabet, så børn ikke kan gå ind i det.
- > Afmonter dørene.

**FORSIGTIG! Sundhedsfare**

- > For at undgå en fare, fordi køleskabet er ustabil, skal det fastgøres i overensstemmelse med anvisningerne.
- > Hold ventilationsåbningerne i køleskabets kabinet eller den indbyggede konstruktion fri for forhindringer.
- > Anvend ikke andre mekaniske instrumenter eller andre midler til at fremskynde afrimningen end dem, der er anbefalet af producenten.
- > Du må under ingen omstændigheder åbne eller beskadige kølekredsløbet.
- > Anvend ikke el-apparater i køleskabet, undtagen hvis producenten anbefaler disse el-apparater hertil.

**FORSIGTIG! Fare for kvæstelser**

- > Du må ikke anvende eller opbevare brændbare materialer i eller i nærheden af dette køleskab.
- > Du må ikke anbringe genstande på eller mod dette køleskab.
- > Du må ikke ændre noget på dette køleskab.

**VIGTIG! Fare for beskadigelse**

- > Vælg kun driften med jævnstrøm, hvis køretøjsmotoren kører og leverer tilstrækkelig spænding, eller hvis du anvender en batteriovervågning.
- > Hvis kondensatafløb forefindes, skal det altid holdes rent.
- > Hvis køleskabet er udstyret med ventilationsgitter, må der ikke anvendes en højtryksrenser med vand i nærheden af disse ved rengøring af køretøjet.
- > Køleskabet må ikke udsættes for regn.
- > Træk aldrig stikket ud af stikdåsen med strømkablet.

**Sikkerhed under anvendelse af køleapparatet****FARE! Fare for elektrisk stød**

Kontrollér, at tilførselsledningen og stikket er tørre, før køleskabet startes.

**FORSIGTIG! Sundhedsfare**

- > Sørg for, at der kun er genstande eller varer i køleskabet, der må afkøles til den valgte temperatur.
- > Rengør regelmæssigt overflader, som kan komme i kontakt med levnedsmidler og adgang til kloaksystemer.
- > Opbevar rått kød og fisk i egnede beholdere i køleskabet, så rått kød og fisk ikke kommer i kontakt med og ikke kan dryppe ned på andre madvarer.
- > Hvis døren er åben i længere tid, kan temperaturen stige betydeligt i køleskabets rum. Hvis køleskabet er tomt i længere tid:
  - Sluk for køleskabet.
  - Afrim køleskabet.
  - Rengør og tør køleskabet.
  - Lad døren være åben for at forhindre, at der dannes mug inden i køleskabet. Sæt køleskabsdøren og fryserdøren i vinterposition, hvis den er tilgængelig.

**FORSIGTIG! Fare for kvæstelser**

- > Grib ikke ind i hængslet.
- > Luk og lås køleskabets dør, før der køres.



- > Kølesystemet på bagsiden af køleskabet bliver meget varmt under driften. Hvis køleskabet er udstyret med ventilationsgittere, skal du beskytte dig mod kontakt med varme dele, når ventilationsgitterne fjernes.
- > Apparatets eller fryserens dør kan løsne sig helt fra apparatet, hvis den ikke anvendes korrekt. Tryk dørene i, indtil du hører et tydeligt klik øverst og nederst.



### VIGTIGT! Fare for beskadigelse

- > Læn dig ikke op ad køleskabets åbne dør.
- > Opbevar kun tunge genstande som f.eks. flasker eller dåser i køleskabets dør, i grøntsagsskuffen eller på den nederste gitterhylde.
- > Hvis køleskabet har en dobbeltsidet dør, og døren ikke er låst korrekt på den modsatte side, skal du skubbe øverst og nederst på den pågældende side, indtil den går i indgreb.
- > **Fare for overophedning!** Sørg altid for, at varme, der opstår under driften, kan føres tilstrækkeligt bort. Sørg for, at køleapparatet har tilstrækkelig afstand til vægge og genstande, så luften kan cirkulere.
- > Fyld ikke væsker eller is i det indvendige rum.
- > Beskyt køleskabet og kablerne mod varme og fugtighed.
- > Træk aldrig stikket ud af stikdåsen med strømkablet.



### BEMÆRK

- > Hvis dit køretøjs batteristyringsystem lukker køleskabet ned for at beskytte batteriet, skal du kontakte køretøjsproducenten.
- > Ved omgivelsestemperaturer på 15 °C ... 25 °C skal man vælge den midterste temperaturindstilling.
- > Hvis døren er ikke låst korrekt på den modsatte side, skal du skubbe øverst og nederst på den pågældende side, indtil den går i indgreb.
- > Vær opmærksom på følgende for at undgå fødevarespild:
  - Hold temperaturudsving så lave som muligt. Åbn kun fryseren, så tit og så længe det er nødvendigt. Opbevar fødevarer, så luften stadig kan cirkulere godt.
  - Sørg for, at der kun er genstande eller varer i køleskabet, der må afkøles til den valgte temperatur.
  - Opbevar de forskellige madvarer som vist på figureerne.
  - Hvis temperaturen kan justeres: Justér temperaturen til fødevarernes mængde og type.
  - Fødevarer kan nemt absorbere eller afgive lugt eller smag. Opbevar altid fødevarer tildækket eller i lukkede beholdere/flasker.

## 4 Leveringsomfang

| Antal | Beskrivelse                       |
|-------|-----------------------------------|
| 1     | Kompressorkøleskab                |
| 1     | Knærør til afløb                  |
| 1     | Kort betjeningsvejledning         |
| 1     | Betjeningsvejledning (kun online) |
| 1     | Monteringsvejledning              |

## 5 Tilbehør

Kan fås som tilbehør (ikke indeholdt i leveringsomfanget):

| <b>Beskrivelse</b>   | <b>Artikelnummer</b>               |
|--|------------------------------------|
| Slæbebeslag  | 9620012939                         |
| Fastgørelsesramme inkl. bundramme                                |                                    |
| • NRX0035, NRX0050   | 9620012877                         |
| • NRX0060  | 9620012881                         |
| • NRX0080  | 9620012882                         |
| • NRX0115  | 9620012878                         |
| • NRX0130  | 9620012876                         |
| Fastgørelsesramme inkl. bundramme (sort)                         |                                    |
| • NRX0035, NRX0050   | 9620012874                         |
| • NRX0060  | 9620012875                         |
| • NRX0080  | 9620012880                         |
| • NRX0115  | 9620012879                         |
| • NRX0130  | 9620012883                         |
| Hylde til erstatning af fjernet rum til opbevaring af frostvarer |                                    |
| • NRX0035, NRX0050   | 9620012933                         |
| • NRX0060  | 9620012938                         |
| • NRX0080  | 9620012935                         |
| • NRX0115, NRX0130   | 9620012932                         |
| Rum til opbevaring af frostvarer                                 |                                    |
| • NRX0035, NRX0050   | 9620012931                         |
| • NRX0060  | 9620012936                         |
| • NRX0080  | 9620012934                         |
| • NRX0115, NRX0130   | 9620012937                         |
| Vekselstrøm/jævnstrøm-adapter                                    | 9620013449 (EU)<br>9620013450 (UK) |

## 6 Korrekt brug

Køleskabet er beregnet til:

- Installation i autocampere, campingvogne, både og lastbiler
- Køling og opbevaring af madvarer
- **Kun NRX0035-0130(C/S):** Opbevaring af allerede frosne madvarer
- Indendørs brug

Dette køleskab er ikke beregnet til erhvervsmæssige, handelsmæssige eller husholdningsmæssige anvendelser.

Køleskabet er **ikke** egnet til:

- Opbevaring af medicin
- Opbevaring af korrosive stoffer eller stoffer, som indeholder opløsningsmidler
- Lynnedfrysning af mad
- Udendørs brug

Ved brug på både skal enheden installeres i et opholdsrum og ikke på åbent dæk.

Frostrummet er egnet opbevaring af allerede frosne madvarer, opbevaring eller fremstilling af is og isterninger. Det er ikke egnet til at fryse madvarer, der hidtil ikke har været frosset.

Køleskabet er beregnet til indbygning i et møbelstykke eller en monteringsniche.

Optimal køleevne opnås ved omgivende temperaturer mellem 16 °C ... 43 °C og ved en maksimal luftfugtighed på 90 % .

Dette produkt er kun egnet til dets beregnede formål og anvendelse i overensstemmelse med disse anvisninger.

Denne vejledning giver dig oplysninger om, hvad der er nødvendigt med henblik på en korrekt montering og/eller drift af produktet. Dårlig montering og/eller ukorrekt drift eller vedligeholdelse medfører utilstrækkelig ydeevne og mulige fejl.

Producenten påtager sig intet ansvar for kvæstelser eller skader i forbindelse med produktet, der skyldes:

- ukorrekt montering eller forbindelse inklusive for høj spænding
- ukorrekt vedligeholdelse eller brug af uoriginale reservedele, der ikke stammer fra producenten
- ændringer på produktet uden udtrykkelig tilladelse fra producenten
- brug til andre formål end dem, der er beskrevet i vejledningen

Dometic forbeholder sig ret til at ændre produktets udseende og produktspecifikationer.

## 7 Teknisk beskrivelse

Køleskabet er et kompressorkøleskab.

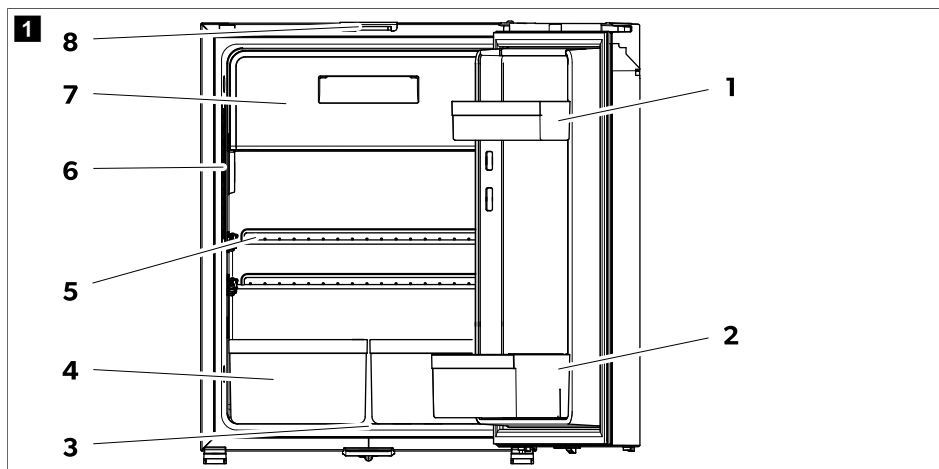
Køleskabet er beregnet til drift med forskellige strømtyper og kan anvendes med enten vekselstrøm eller jævnstrøm.

NRX0035-0130(C/S): Modellen er fra fabrikken udstyret med et rum til opbevaring af frostvarer, som kan tages ud og sættes i igen.

Køleskabets dør har en låsemekanisme, der også fungerer som transportsikring.

Alle materialer, der er anvendt i køleskabet, er ufarlige for fødevarer.

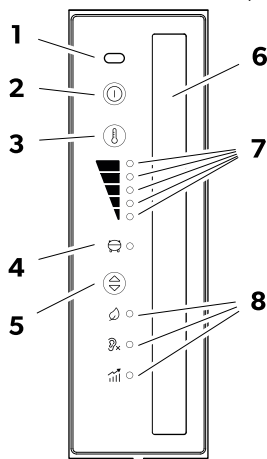
## Beskrivelse af apparatet



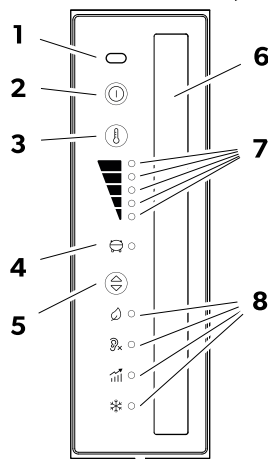
| Nr. | Forklaring   |
|-----|--|
| 1   | Dørbakke (kun NRX0035-0130[C/S], NRX0080-0130[E])          |
| 2   | Flaskehylde  |
| 3   | Kondensatafløb   |
| 4   | Grøntsagsrum (kun NRX0035-0130[C/S])                       |
| 5   | Skabshylde   |
| 6   | Kontrolpanel med display                                   |
| 7   | Rum til opbevaring af frostvarer (kun NRX0035 - 0130[C/S]) |
| 8   | Dørlås til ventilation                                     |


## Betjenings- og visningselementer

### NRX0035 – 0130 (E)



### NRX0035 – 0130 (C/S)



| Nr. | Forklaring  |
|-----|---|
| 1   | IR-døråbningssensor   |
| 2   | ⏻ Tænd/sluk-knap  |
| 3   | ⓘ Indstillingsknap til køletrin   |
| 4   | Kompressor- og fejlindikator-LED  |
| 5   | ⊕ Knap til driftsmodus  |
| 6   | Indvendig belysning   |
| 7   | Køletrinsindikator-LED'er<br> |
| 8   | Driftsmodusindikator-LED'er   |





### Kompressor- og fejlindikator-LED

Kompressor- og fejlindikator-LED'en vises kompressoren driftsstatus eller indikerer en fejl:

| Color            | Beskrivelse                                   |
|------------------|---|
| Hvid             | Kompressor tændt                              |
| Orange           | Kompressor slukket                            |
| Orange (blinker) | Fejl (se kapitlet Fejlindikation på side 214) |

## Driftsmodusindikator-LED'er

Driftsmodusindikator-LED'erne viser følgende indstillingsmuligheder:

| Symbol  | Beskrivelse  |
|---|--|
|  | ECO-tilstand:<br>Drift med reduceret energiforbrug.<br>Køletrin 1 – 3  |
|  | QUIET-tilstand:<br>Drift med reduceret støjniveau.<br>Køletrin 1 – 4   |
|  | PERFORMANCE-modus:<br>Køletrin 1 – 5   |
|  | FREEZER-modus (kun NRX0035-0130[C/S]):<br>Drift med fjernet rum til opbevaring af frostvarer. Køler hele køleskabets indvendige rum ned til $-6^{\circ}\text{C}$ . |

## 8 Betjening

### 8.1 Før første brug

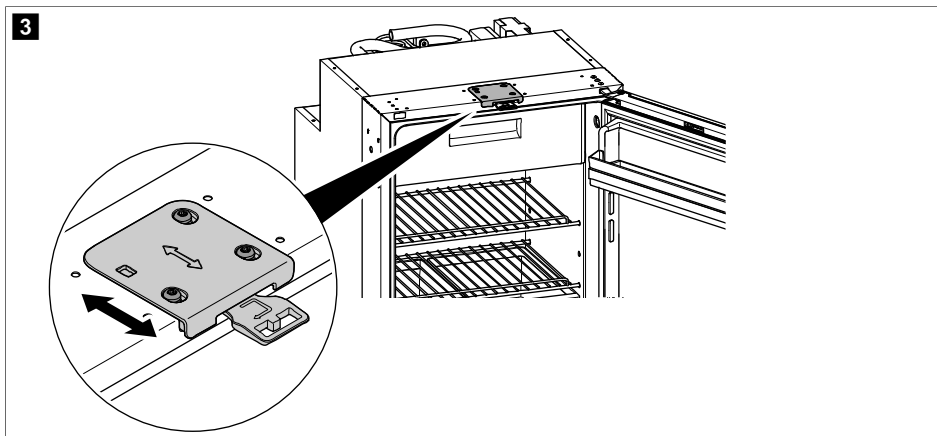


#### BEMÆRK

- > Opbevar ikke varer i køleskabet i de første 4 timer efter ibrugtagningen.
- > Ved den første ibrugtagning af køleskabet kan der opstå lugt, som forsvinder i løbet af et par timer. Udluft beboelsesrummet grundigt.
- > Kølekapaciteten kan påvirkes af:
  - omgivelsestemperaturen (f.eks. når køretøjet er udsat for direkte sollys),
  - mængden af levnedsmidler, der skal køles,
  - hvor tit døren åbnes
- > Rengør køleskabet indvendigt med henblik på hygiejnen (se Rengøring og vedligeholdelse på side 208).
- > Parkér køretøjet vandret, især ved ibrugtagning og fyldning af køleskabet, før rejsen påbegyndes.

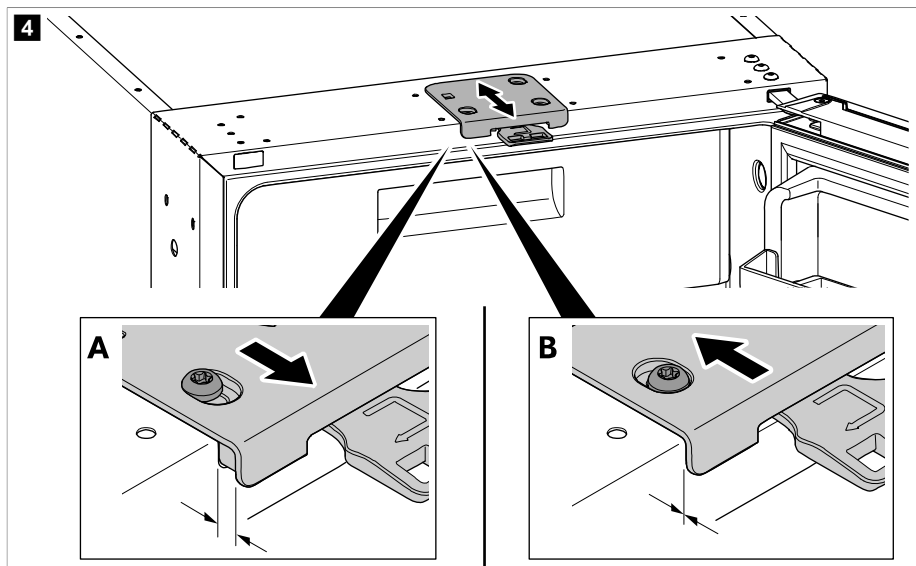
#### 8.1.1 Justering af dørlåsen

Dørlåsen øverst på køleskabet kan justeres til at regulere dørens lukningsbredde.



**i** **BEMÆRK** Kontrollér, om den justerbare dørlås er monteret. Bestil om nødvendigt den justerbare dørlås (dometic.com), og udskift den faste dørlås med den justerbare dørlås.

> Dørlåsen er indstillet til position **A** fra fabrikken. Flyt dørlåsen til position **B**.



**i** **BEMÆRK** Hvis dørlåsen er i position **B**, skal du sørge for, at døren låser korrekt, når den lukkes (se kapitel Lukning og sikring af køleskabets dør på side 203).

## 8.2 Informationer om opbevaring af madvarer



### FORSIGTIG! Sundhedsfare

Hvis køleskabet udsættes for en omgivelsestemperatur under 10 °C i længere tid, kan en ensartet regulering af rummet til opbevaring af frostvarer ikke længere garanteres. Dette kan få temperaturen i rummet til opbevaring af frostvarer til at stige og tø de opbevarede varer op.

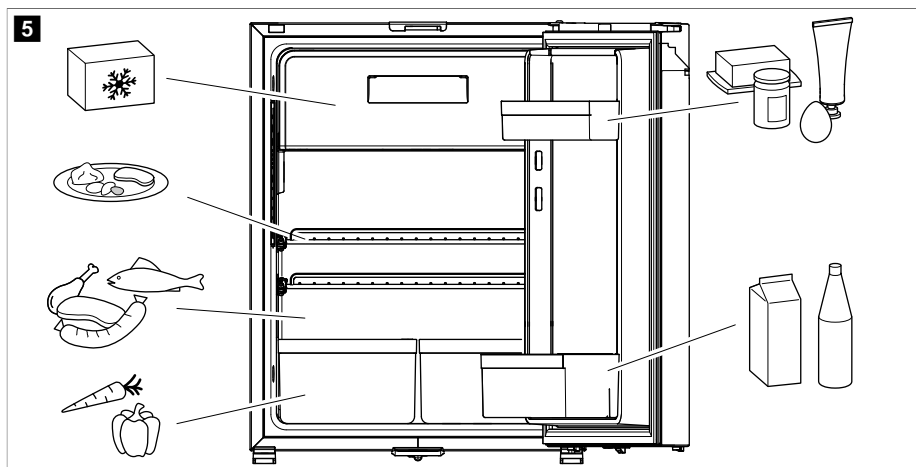


### VIGTIG! Fare for beskadigelse

- > Overhold den maksimale belastning for hver dørbakke, når du fylder køleskabet (se Tekniske data på side 215).
- > Opbevar ikke kulsyreholdige drikkevarer i rummet til opbevaring af frostvarer.

Vær opmærksom på følgende for at undgå fødevarespild:

- Hold temperaturudsving så lave som muligt. Åbn kun køleskabet, så tit og så længe det er nødvendigt. Opbevar fødevarer, så luften stadig kan cirkulere godt.
  - Justér temperaturen til fødevarernes mængde og type.
  - Opbevar de forskellige madvarer som vist på figurene.
  - Fødevarer kan nemt absorbere eller afgive lugt eller smag. Opbevar altid fødevarer tildækket eller i lukkede beholdere/flasker.
- > Opbevar madvarer som vist.



## 8.3 Energibesparelse

- Åbn kun køleskabet, så tit og så længe det er nødvendigt.
- Lad først varm mad afkøle, før du anbringer den i apparatet for at køle det ned.
- Afrim køleskabet, så snart der har dannet sig et islag.
- Undgå unødigt lav indvendig temperatur.
- Placér hylderne og skufferne i overensstemmelse med deres position ved leveringen for at opnå optimalt energiforbrug.
- Kontrollér regelmæssigt, at dørens tætning fortsat sidder korrekt.
- Rengør med regelmæssige mellemrum kondensatoren for støv og urenheder.



## 8.4 Sådan anvendes køleskabets dør



### **FORSIGTIG! Fare for kvæstelser**

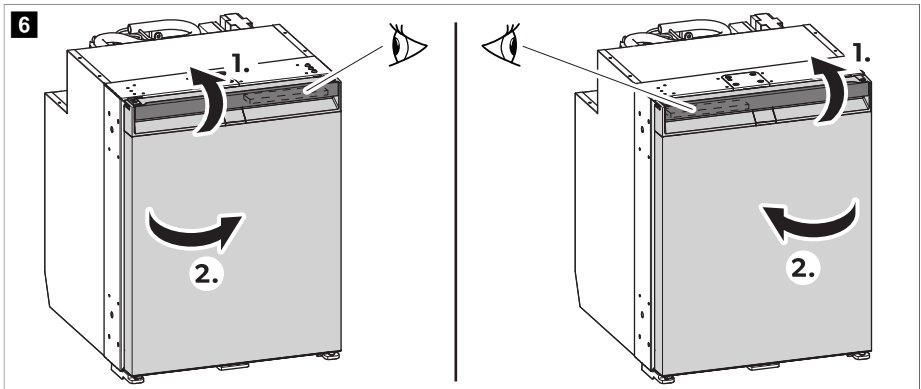
Døren til køleskabet og rummet til opbevaring af frostvarer kan løsne sig helt fra apparatet, hvis den ikke anvendes korrekt.

### 8.4.1 Åbning af køleskabets dør



**BEMÆRK** Sørg for at trække grebet på den modsatte side til døranslaget. Læg mærke til skyderens position. Se den tilhørende monteringsvejledning.

> Gør som vist for at åbne køleskabets dør.



### 8.4.2 Lukning og sikring af køleskabets dør



### **FORSIGTIG! Fare for kvæstelser**

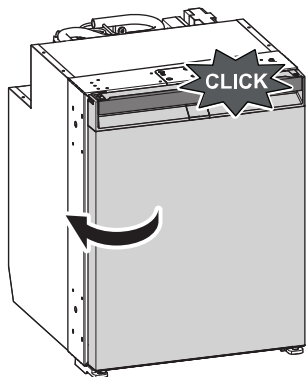
Hvis døren ikke er sikret korrekt, skal du forsigtigt trykke på toppen og bunden af døren, indtil den er sikkert på plads.



**BEMÆRK** Køleskabets dør har en låsemekanisme, der også fungerer som transportsikring.

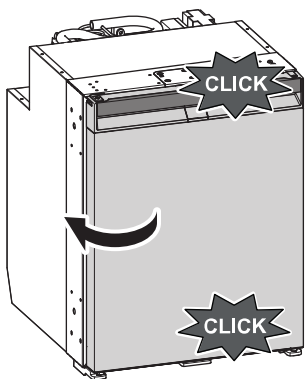
- > NRX0035-0130(E): Tryk døren til, indtil du hører et tydeligt klik øverst.

### 7 NRX0035 – 0130 (E)



- > NRX0035-0130(C/S): Tryk døren til, indtil du hører et tydeligt klik øverst og nederst.

### 8 NRX0035 – 0130 (C/S)





- ✓ Døren er nu lukket og sikret.

## 8.5 Til- og frakobling




**BEMÆRK** Sluk altid for køleskabet, hvis det ikke skal bruges i en længere periode.

- > Tryk på knappen  én gang, og hold den trykket i mindst 2 s for at tænde.
- ✓ Køleskabet tænder med den sidst valgte køletrinindstilling og driftsmodus.
- > Tryk på knappen , og hold den trykket i mindst 2 s for at slukke.

## 8.6 Indstilling af driftsmodi



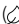
**BEMÆRK** Når du anvender ECO-, PERFORMANCE- eller FREEZER-modus, bliver systemet i denne modus, indtil det ændres.

- > For at indstille den pågældende driftsmodus skal du trykke på knappen  gentagne gange, indtil driftsmodusindikator-LED'en for den ønskede driftsmodus lyser.

Der findes følgende driftsmodi:

### Brug af ECO-modus

Når ECO-modus er aktiveret, kører køleskabet med reduceret energiforbrug ved køletrin 1 – 3.

- ✓ Driftsmodusindikator-LED'en for ECO-modus () og indikator-LED'en for det valgte køletrin lyser.


### Brug af QUIET-modus

Når QUIET-modus er aktiveret, kører køleskabet med et reduceret støjniveau ved køletrin 1 – 4.



#### **BEMÆRK**

- > QUIET-modus er ikke til rådighed, hvis køleskabet kører på FREEZER-modus.
- > Når QUIET-modus anvendes, bliver køleskabet på denne modus i 8 h og vender derefter tilbage til den tidligere valgte modus (ECO eller PERFORMANCE).

- ✓ Driftsmodusindikator-LED'en for QUIET-modus () og indikator-LED'en for det valgte køletrin lyser.

### Brug af PERFORMANCE-modus

Når PERFORMANCE-modus er aktiveret, kører køleskabet på standardmodus ved køletrin 1 – 5.


- ✓ Driftsmodusindikator-LED'en for PERFORMANCE-modus () og indikator-LED'en for det valgte køletrin lyser.

### Brug af FREEZER-modus

Når FRYSSERTILSTANDEN er aktiveret, afkøles hele køleskabets indre til  $-6^{\circ}\text{C}$ .



**BEMÆRK** Fjern rummet til opbevaring af frostvarer for at bruge FREEZER-modus.

- ✓ Driftsmodusindikator-LED'en for FREEZER-modus () og alle køletrinsindikator-LED'er lyser konstant.

## 8.7 Indstilling af køletrinnet

- > Tryk gentagne gange på knappen  for at indstille køletrinnet, indtil det ønskede køletrin nås.

## 8.8 Ændring af hyldernes placering



#### **ADVARSEL! Risiko for, at børn kan blive lukket inde**

NRX0060-0130: Alle hylde er fastgjort for at forhindre, at børn kravler ind i køleskabet.

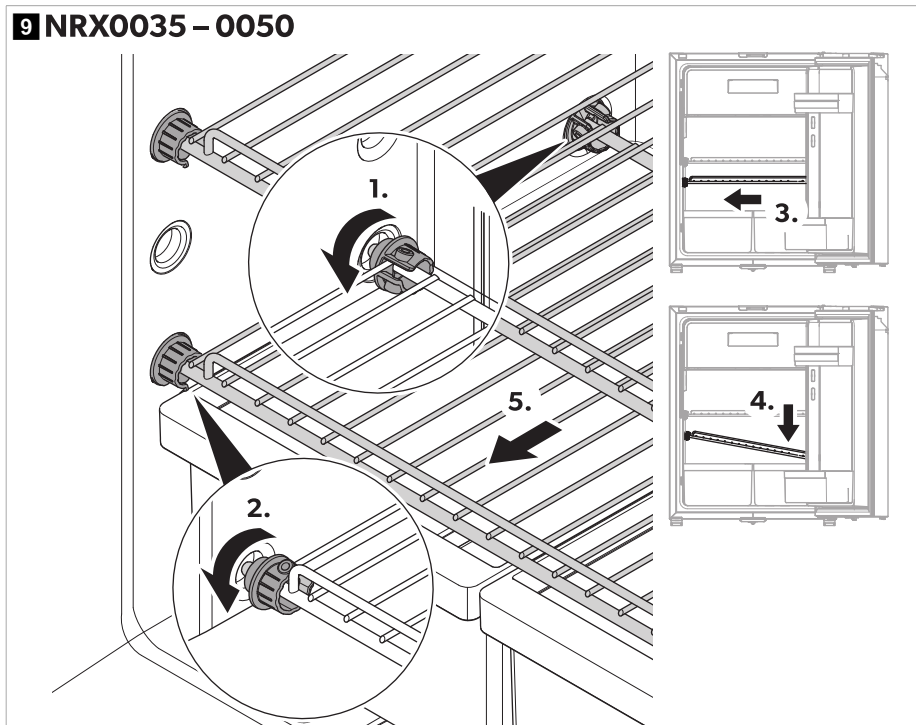
- > Fjern kun hylde ved rengøring.
- > Sæt hylde i igen, og sørg for at sikre dem.



**BEMÆRK** Fjern rummet til opbevaring af frostvarer, før hylderne sættes i igen, så det er nemmere at få adgang til de bageste hyldeholdere.

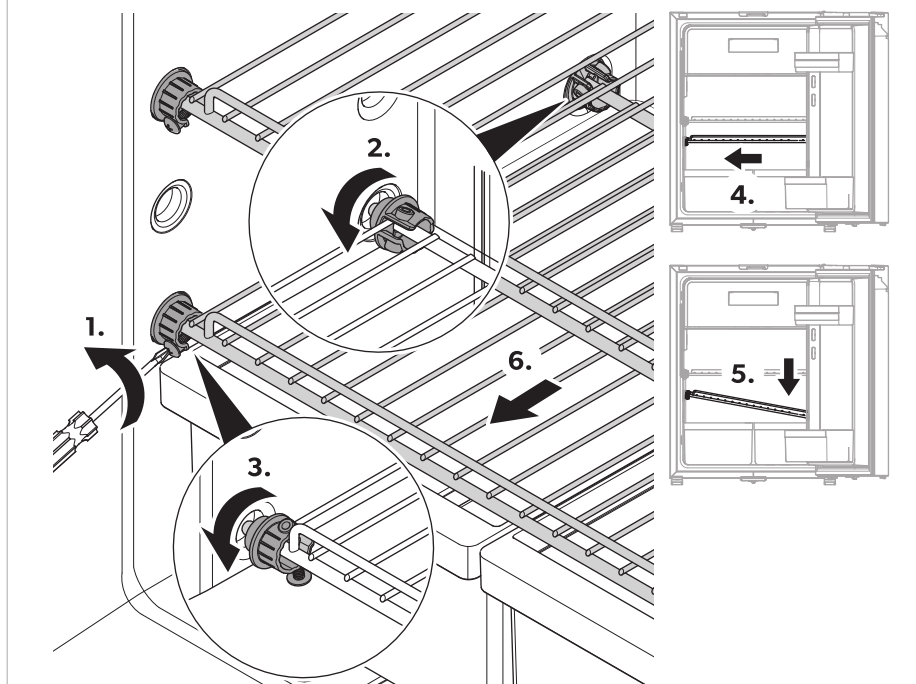
> **NRX0035-0050:** Fortsæt som vist for at ændre hyldernes placering.

## 9 NRX0035 – 0050



- > **NRX0035-0050:** Fortsæt som vist for at ændre hyldernes placering.

## 10 NRX0060 – 0130



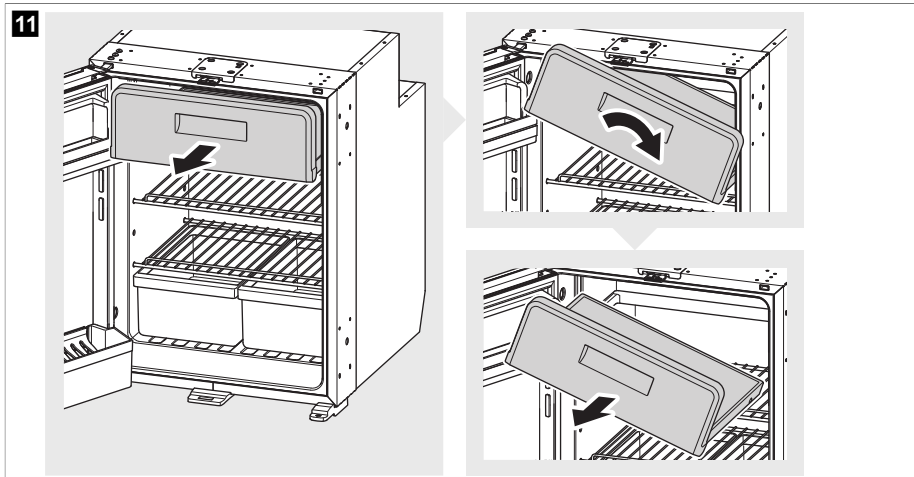
### 8.9 Fjernelse af rummet til opbevaring af frostvarer



#### VIGTIGT! Fare for beskadigelse

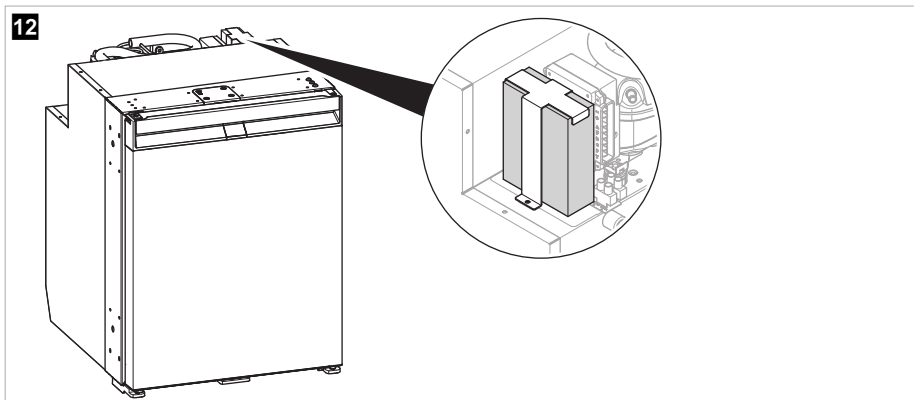
- > Luk rummet til opbevaring af frostvarer for at fjerne rummet til opbevaring af frostvarer.
- > Tag fat i rummet til opbevaring af frostvarer nederst. Træk ikke i døren til rummet til opbevaring af frostvarer.
- > Opbevar rummet til opbevaring af frostvarer et tørt og sikkert sted.

- > Gør som vist for at fjerne rummet til opbevaring af frostvarer.



## 8.10 Installation af vekselstrøm/jævnstrøm-adapteren

- > Fortsæt som vist for at installere vekselstrøm/jævnstrøm-adapteren (tilbehør).



## 9 Rengøring og vedligeholdelse



### ADVARSEL! Fare for elektrisk stød

Træk køleskabet ud af strømforsyningen før rengøring og vedligeholdelse.



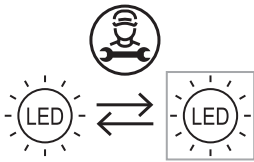
### VIGTIGT! Fare for beskadigelse

- > Brug ikke slibende rengøringsmidler eller hårde genstande under rengøringen.
- > Brug aldrig hårdt eller skarpt værktøj til at fjerne is eller til at frigøre frosne genstande.
- > Sørg for, at der ikke drypper vand ned i tætningerne. Det kan beskadige elektronikken.



### VIGTIGT! Fare for beskadigelse

Lyskilden kan kun udskiftes af producenten, en servicerepræsentant eller en tilsvarende kvalificeret person for at undgå farer.



- > Rengør køleskabet regelmæssigt ind- og udvendigt med en fugtig klud, så snart det bliver tilsmudset. Tør køleskabet af med en klud efter rengøringen.
- > Kontrollér regelmæssigt vandafløbet.  
Rengør om nødvendigt vandafløbet. Hvis det er tilstoppet, samler der sig vand på bunden af køleskabet.
- > Fjern jævnligt støv og snavs fra kondensatoren med en fugtig klud.

### Kølekredsløb

Kølekredsløbet er vedligeholdelsesfrit.

### Afrimning af køleskabet



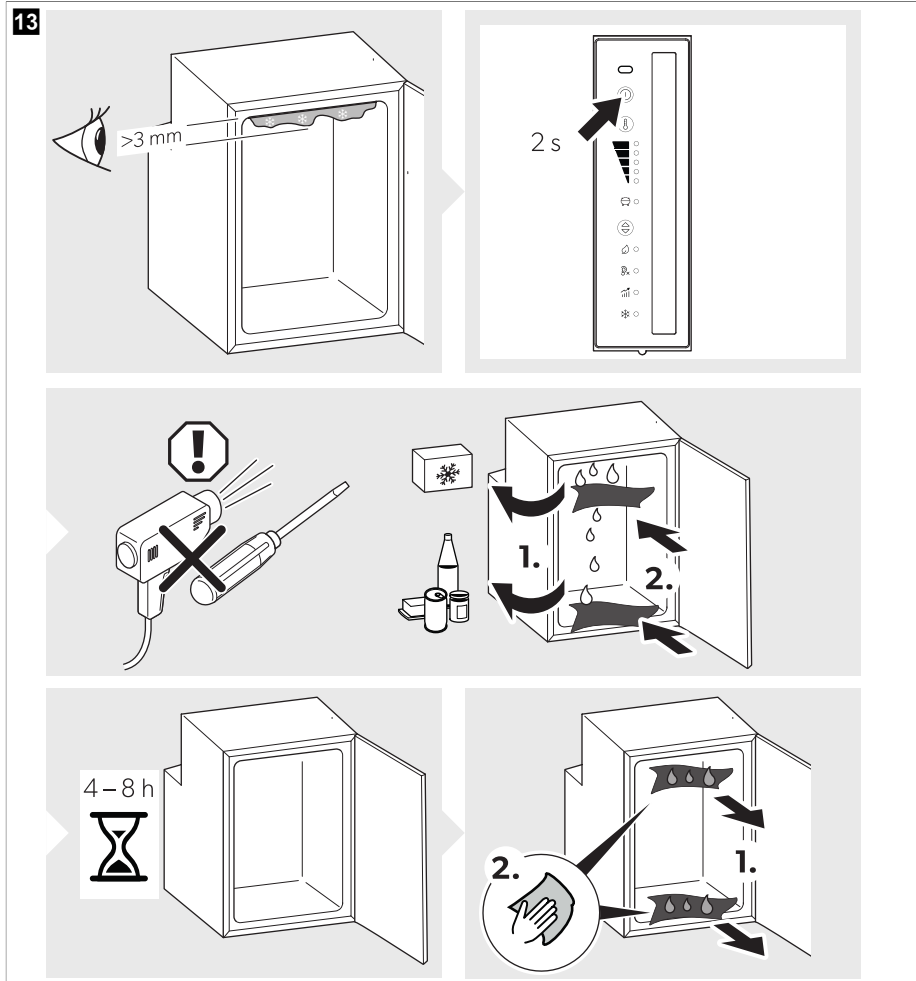
### VIGTIGT! Fare for beskadigelse

Anvend ikke mekaniske eller andre hjælpemidler til at fremskynde afrimningen.



**BEMÆRK** Med tiden dannes der rim på køleskabets bagvæg. Hvis rimlaget er ca. 3 mm tykt, skal du afrime køleskabet.

> Gør som vist for at afrime køleskabet.



### Positionering af køleskabets dør i opbevaringspositionen



**FORSIGTIG! Fare for kvæstelser**

Opbevaringspositionen må ikke være positioneret under kørslen.

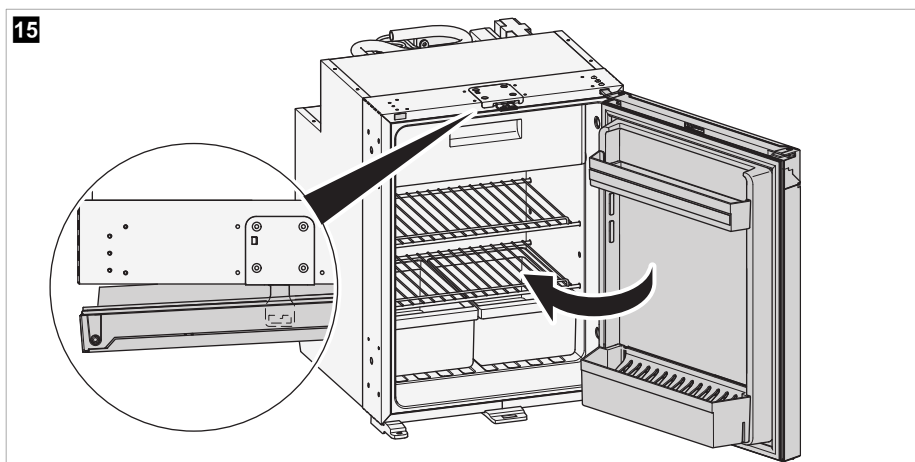
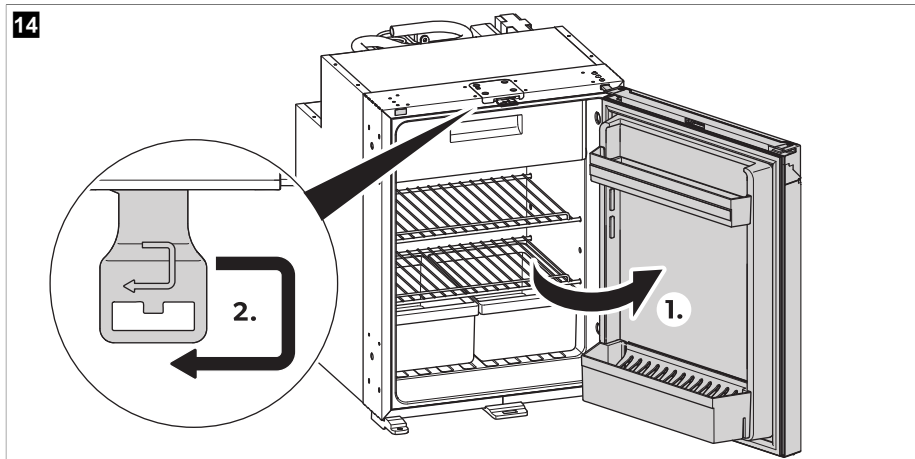


**BEMÆRK** Anbring køleskabets dør i opbevaringspositionen, hvis du ikke vil anvende apparatet i en længere tidsperiode. På den måde undgås det, at der dannes skimmel.

> Afrim køleskabet (se Afrimning af køleskabet på side 209).



- > Sæt køleskabets dør i opbevaringspositionen som vist.

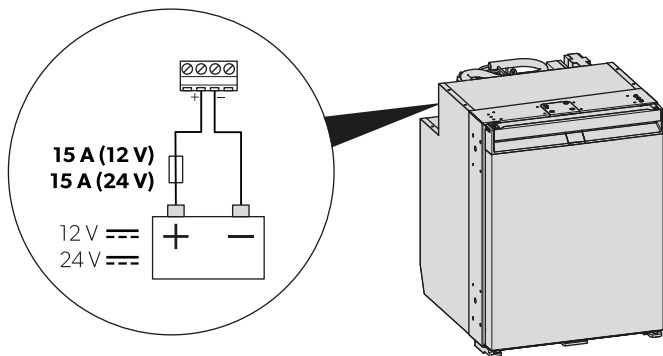



## 10 Udbedring af fejl



**BEMÆRK** For at anvende 12 V-forbrugerenheder sikkert i campingvognen under kørslen skal det sikres, at træk køretøjet leverer tilstrækkelig spænding. På nogle køretøjer kan batteriets managementsystem automatisk slukke forbrugerenhederne for at beskytte batteriet. Indhent informationer herom hos din køretøjsproducent.

16



| Fejl  | Mulig årsag   | Løsningsforslag  |
|---|---|--|
| Køleskabet fungerer ikke.   | Sikringen i jævnstrømskablet er defekt.   | > Udskift sikringen (  fig. 16 på side 212).  |
|   | Køretøjets sikring er brændt over.  | > Udskift køretøjets sikring.<br>Læs betjeningsvejledningen til dit køretøj.   |
|   | Køretøjetsbatteriet er afladet.   | > Kontrollér batteriet, og oplad det.  |
|   | Tændingen er ikke slået til.  | > Slå tændingen til.   |
|   | Kompressorens temperatur er for lav (< 0 °C).   | > Luk/afdæk alle eksterne ventilationsgitre helt med isolerende materiale.   |
|   | Køleskabet slukker automatisk, hvis spændingen er utilstrækkelig.<br>(Frakoblingsspænding: 10,4 V $\Rightarrow$ ) | > Sæt batteriet i. Køleskabet starter automatisk igen.<br>(Tilkoblingsspænding: 11,7 V $\Rightarrow$ )   |
| Kølekapaciteten reduceres, den indvendige temperatur stiger. Kompressoren kører konstant. | Ventilationen omkring aggregatet er ikke tilstrækkelig.   | > Kontrollér, om ventilationsgitrene er fri.<br>> Stil køleskabet et andet sted.   |
|   | De indvendige vægge er iset til.  | > Kontrollér, om køleskabets dør lukker rigtigt.<br>> Sørg for, at køleskabets tætning passer korrekt og ikke er beskadiget.<br>> Afrim køleskabet (se Afrimning af køleskabet på side 209). |
|   | Temperaturen er indstillet for højt.  | > Indstil en lavere temperatur.  |
|   | Udenomstemperaturen er for høj.   | > Tag af og til ventilationsgitrene ud, så den varme luft slipper hurtigere ud.  |
|   | Der blev for mange madvarer i køleskabet på én gang.  | > Fjern noget af maden.  |
|   | Der blev for mange varme madvarer i køleskabet på én gang.  | > Tag de varme madvarer ud, og lad dem køle af, før de lægges i.   |

| Fejl  | Mulig årsag  | Løsningsforslag  |
|---|--|--|
|   | Køleskabet har ikke været i drift i lang tid.  | > Kontrollér temperaturen igen efter 4 h / 5 h .                               |
|   | Kondensatoren er tilsmudset.   | > Rengør kondensatoren (se kapitlet Rengøring og vedligeholdelse på side 208). |
|   | Blæseren er defekt.  | > Kontakt en autoriseret servicerepræsentant.                                  |
| Kølekapaciteten reduceres, den indvendige temperatur stiger.<br>Kompressoren kører ikke ofte.                             | Batterikapaciteten er opbrugt.   | > Oplad batteriet.   |
| Kølekapaciteten reduceres, den indvendige temperatur stiger.<br>Kompressoren kører ikke (batteritilslutning).             | Der er en afbrydelse i forbindelsen mellem batteri og elektronik.                            | > Etablér en forbindelse.  |
|   | Hovedafbryder er defekt (hvis den er monteret).  | > Udskift hovedafbryderen.   |
|   | Den ekstra ledningssikring er sprunget (hvis den er monteret).                               | > Udskift ledningssikringen.   |
|   | Batterispændingen er for lav.  | > Oplad batteriet.   |
|   | Batterikapacitet for lav.  | > Udskift batteriet.   |
|   | Kablerne er løse.<br>Dårlig kontaktforbindelse (korrosion).                                  | > Etablér en forbindelse.  |
|   | Kabeltværsnittet for lille.  | > Udskift kablet.  |
| Kølekapaciteten reduceres, den indvendige temperatur stiger.<br>Kompressoren kører ikke (tilslutning til vekselspænding). | Kompressoren er defekt.  | > Kontakt en autoriseret servicerepræsentant.                                  |
|   | Tilslutningsledningen er afbrudt.  | > Etablér en forbindelse.  |
|   | Hovedafbryder er defekt (hvis den er monteret).  | > Udskift hovedafbryderen.   |
|   | Den ekstra ledningssikring er sprunget (hvis den er monteret).                               | > Udskift ledningssikringen.   |
| Usædvanlig støj.  | Kompressoren er defekt.  | > Kontakt en autoriseret servicerepræsentant.                                  |
|   | En af kølekredsløbets komponenter kan ikke bevæge sig frit (rammer væggen).                  | > Bøj forsigtigt komponenten væk fra forhindringen.                            |
|   | Der er et fremmedlegeme klemt mellem køleenheden og væggen.                                  | > Fjern fremmedlegemet.  |
| Ventilatorstøj.   | > Kontakt en autoriseret servicerepræsentant.  |  |
| Døren åbner utilsigtet under kørsel (f.eks. under kørsel).  | Dørlåsen er indstillet til position <b>A</b> (se kapitel Justering af dørlåsen på side 200). | > Indstil dørlåsen til position <b>B</b> .                                     |
| Døren lukker ikke rigtigt.  | Dørlåsen er indstillet til position <b>A</b> (se kapitel Justering af dørlåsen på side 200). | > Indstil dørlåsen til position <b>B</b> .                                     |

| Fejl | Mulig årsag  | Løsningsforslag                                     |
|------|--|---|
|      | Dørlåsen er indstillet til position <b>B</b> (se kapitel Justering af dørlåsen på side 200), men døren er ikke korrekt låst. | > Sørg for, at døren låser korrekt, når den lukkes. |

## Fejlindikation



### BEMÆRK

- > Alle fejl vises ved, at fejlindikator-LED'en blinker orange (se Betjenings- og visningselementer på side 199). Antallet af blink afhænger af fejltypen. Hvert blink varer i et kvart sekund. Efter sekvensen af blink følger en pause. Sekvensen for fejlen gentages hvert fjerde sekund.
- > I ECO-, PERFORMANCE- og FREEZER-modus lyder der et ekstra bip.

| Blinkhastighed | Fejl                                | Mulig årsag   |
|----------------|-------------------------------------|---|
| 1              | Under- eller overspænding           | Forsyningsspændingen ligger uden for det indstillede område.  |
| 2              | Ventilator-overstrøm                | Ventilatoren belaster elektronikenheden med mere end 1 A.   |
| 3              | Motoren starter ikke                | Rotoren sidder fast.<br>Trykdifferencen i kølesystemet er for højt.                                   |
| 4              | For lavt omdrejningstal             | Hvis kølesystemet belastes for kraftigt, kan motorens minimumomdrejningstal ikke opretholdes.         |
| 5              | Overtemperatur på elektronikenheden | Hvis kølesystemet belastes for kraftigt eller temperaturen er for høj, bliver elektronikken for varm. |
| Konstant       | Temperaturfølerfej                  | Temperaturføleren er defekt.  |

## 11 Garanti

Den lovbestemte garantiperiode gælder. Hvis produktet er defekt, skal du kontakte producentens afdeling i dit land (se [dometic.com/dealer](http://dometic.com/dealer)) eller din forhandler.

Ved reparation eller krav om garanti skal du medsende følgende bilag:

- en kopi af regningen med købsdato
- en reklameringsgrund eller en fejlbeskrivelse

Vær opmærksom på, at egne eller uprofessionelle reparationer kan få sikkerhedsmæssige konsekvenser og kan gøre garantien ugyldig.

## 12 Bortskaffelse



### VIGTIGT! Fare for beskadigelse

Køleapparats isolering indeholder brændbar cyklopentan og kræver specielle bortskaffelsesprocedurer. Aflevér køleapparatet på genbrugsstationen ved afslutningen af dets levetid.



Bortskaf så vidt muligt emballagen i affaldscontainerne til den pågældende type genbrugsaffald.

Kontakt en lokal genbrugsstation eller din forhandler for at få de pågældende forskrifter om, hvordan du bortskaffer produktet i overensstemmelse med disse gældende forskrifter for bortskaffelse. Europa: Produktet kan bortskaffes uden gebyr.

## 13 Tekniske data

For den aktuelle EU-overensstemmelseserklæring for dit apparat bedes du se den pågældende produktside på [dometic.com](http://dometic.com) eller kontakte producenten direkte (se [dometic.com/dealer](http://dometic.com/dealer)).

Dette apparat opfylder FN ECE forordning R10.

|   | NRX0035(E/C/S) | NRX0050(E/C/S)           | NRX0060(E/C/S) |
|---|----------------|--------------------------|----------------|
| Indhold   |                |                          |                |
| • Kølerum (kun NRX0035-0130[C/S])                             | 27,3 L         | 39,6 L                   | 48,9 L         |
| • Rum til opbevaring af frostvarer (kun NRX0035-0130 [C/S])   | 4,4 L          | 4,4 L                    | 6,1 L          |
| • Samlet kapacitet  | 32 L           | 44 L                     | 55 L           |
| • Samlet kapacitet (rum til opbevaring af frostvarer fjernet) | 34 L           | 46 L                     | 58 L           |
| Tilslutningsspænding  |                | 12 / 24 V <sup>===</sup> |                |
| Forsyningsbatteribeskyttelse (12 V)                           |                |                          |                |
| • Frakoblingsspænding   |                | 10,4 V                   |                |
| • Gentilkoblingsspænding                                      |                | 11,7 V                   |                |
| Forsyningsbatteribeskyttelse (24 V)                           |                |                          |                |
| • Frakoblingsspænding   |                | 22,8 V                   |                |
| • Gentilkoblingsspænding                                      |                | 24,2 V                   |                |
| Klimaklasse   |                | T                        |                |
| Temperaturområde for opbevaring:                              |                |                          |                |
| • Køleapparat   |                | 0 °C ... 12 °C           |                |
| • Rum til opbevaring af frostvarer (kun NRX0035-0130 [C/S])   |                | -15 °C ... -5 °C         |                |
| • Freezer-modus (kun NRX0035-0130 [C/S])                      |                | -6 °C                    |                |
| Tiltænkt omgivelsestemperatur for brug                        |                | 16 °C ... 43 °C          |                |
| Kølemiddel  |                | R134a                    |                |
| Kølemiddelmængde  | 24 g           | 26 g                     | 30 g           |
| CO <sub>2</sub> -ækvivalent                                   | 0,034 t        | 0,037 t                  | 0,043 t        |
| Globalt opvarmingspotentiale (GWP)                            |                | 1430                     |                |
| Støjemission (EN 60704)                                       |                | 40 ... 45 dB(A)          |                |

**DA NRX35-130**

|   | <b>NRX0035(E/C/S)</b>   | <b>NRX0050(E/C/S)</b>     | <b>NRX0060(E/C/S)</b>    |
|---|---|---------------------------|--------------------------|
| Mål H x B x D   | 525 × 380 × 355 mm<br><br>(uden kompressor og afstandsholder)<br><br>525 mm × 380 mm × 480 mm<br><br>(med kompressor og afstandsholder) | 525 mm × 380 mm × 510 mm  | 525 mm × 448 mm × 537 mm |
| Nettovægt   | E: 13,5 kg<br>C, S: 16 kg   | E: 14,5 kg<br>C, S: 17 kg | E: 16 kg<br>C, S: 17 kg  |
| Maksimal belastning   |   |                           |                          |
| • For hver dørbakke   | 4 kg  | 4 kg                      | 5 kg                     |
| • For hver dør  | E: 4 kg<br>C/S: 8 kg  | E: 4 kg<br>C/S: 8 kg      | E: 5 kg<br>C/S: 10 kg    |
|   | <b>NRX0080(E/C/S)</b>   | <b>NRX0115(E/C/S)</b>     | <b>NRX0130(E/C/S)</b>    |
| Indhold   |   |                           |                          |
| • Kølerum (kun NRX0035 – 0130[C/S])                           | 68,4 L  | 104,5 L                   | 118 L                    |
| • Rum til opbevaring af frostvarer (kun NRX0035 – 0130[C/S])  | 6,6 L   | 8,2 L                     | 8,2 L                    |
| • Samlet kapacitet  | 75 L  | 113 L                     | 126 L                    |
| • Samlet kapacitet (rum til opbevaring af frostvarer fjernet) | 78 L  | 116 L                     | 130 L                    |
| Tilslutningsspænding  | 12 / 24 V <sup>===</sup>  |                           |                          |
| Forsyningsbatteribeskyttelse (12 V)                           |   |                           |                          |
| • Frakoblingsspænding   |   | 10,4 V                    |                          |
| • Gentilkoblingsspænding                                      |   | 11,7 V                    |                          |
| Forsyningsbatteribeskyttelse (24 V)                           |   |                           |                          |
| • Frakoblingsspænding   |   | 22,8 V                    |                          |
| • Gentilkoblingsspænding                                      |   | 24,2 V                    |                          |
| Klimaklasse   | T   |                           |                          |
| Temperaturområde for opbevaring                               |   |                           |                          |
| • Køleapparat   |   | 0 °C ... 12 °C            |                          |
| • Rum til opbevaring af frostvarer (kun NRX0035 – 0130[C/S])  |   | -15 °C ... -5 °C          |                          |

|  | NRX0080(E/C/S)          | NRX0115(E/C/S)          | NRX0130(E/C/S)          |
|--|-------------------------|-------------------------|-------------------------|
| • Freezer-modus (kun NRX0035-0130C/S)  | -6 °C                   |                         |                         |
| Tiltænkt omgivelsestemperatur for brug | 16 °C ... 43 °C         |                         |                         |
| Kølemiddel                             | R134a                   |                         |                         |
| Kølemiddelmængde                       | 32 g                    | 40 g                    | 40 g                    |
| CO <sub>2</sub> -ækvivalent            | 0,046 t                 | 0,057 t                 | 0,057 t                 |
| Globalt opvarmningspotentiale (GWP)    | 1430                    |                         |                         |
| Støjemission (EN 60704)                | 40 ... 45 dB(A)         |                         |                         |
| Mål H x B x D                          | 625 x 475 x 537 mm      | 745 x 525 x 568 mm      | 812 x 525 x 568 mm      |
| Nettovægt                              | C, S: 20 kg<br>E: 18 kg | C, S: 26 kg<br>E: 24 kg | C, S: 27 kg<br>E: 25 kg |
| Maksimal belastning                    |                         |                         |                         |
| • For hver dørbakke                    | 5 kg                    | 6 kg                    | 6 kg                    |
| • For hver dør                         | 10 kg                   | E: 12 kg<br>C/S: 18 kg  | E: 12 kg<br>C/S: 18 kg  |

## 14 Tekniske data

For den aktuelle EU-overensstemmelseserklæring for dit apparat bedes du se den pågældende produktside på [dometic.com](http://dometic.com) eller kontakte producenten direkte (se [dometic.com/dealer](http://dometic.com/dealer)).

Dette apparat opfylder FN ECE forordning R10.

|   | NRX0090V                |
|---|-------------------------|
| Indhold   |                         |
| • Køleboks  | 79 L                    |
| • Rum til opbevaring af frostvarer                            | 8,4 L                   |
| • Samlet kapacitet  | 87 L                    |
| • Samlet kapacitet (rum til opbevaring af frostvarer fjernet) | 92 L                    |
| Tilslutningsspænding  | 12 / 24 V <sup>==</sup> |
| Forsyningsbatteribeskyttelse (12 V)                           |                         |
| • Frakoblingsspænding   | 10,4 V                  |
| • Gentilkoblingsspænding                                      | 11,7 V                  |
| Forsyningsbatteribeskyttelse (24 V)                           |                         |
| • Frakoblingsspænding   | 22,8 V                  |
| • Gentilkoblingsspænding                                      | 24,2 V                  |
| Energiforbrug   | 0,35 kWh / 24 h         |

|  | <b>NRX0090V</b>                                    |
|--|--|
| Klimaklasse  | T  |
| Temperaturområde for opbevaring <ul style="list-style-type: none"> <li>• Køleapparat</li> <li>• Rum til opbevaring af frostvarer</li> <li>• Freezer-modus</li> </ul> | 0 °C ... 15 °C<br>-12 °C ... -5 °C<br>-5 °C ± 2 °C |
| Tiltænkt omgivelsestemperatur for brug   | 16 °C ... 43 °C                                    |
| Kølemiddel   | R600a  |
| Kølemiddelmængde   | 22 g   |
| CO <sub>2</sub> -ækvivalent  | 0,000 t  |
| Globalt opvarmingspotentiale (GWP)   | 3  |
| Støjemission (EN60704) <ul style="list-style-type: none"> <li>• PERFORMANCE-modus</li> <li>• QUIET-modus</li> </ul>  | < 40 dB(A)<br>37 dB(A)                             |
| Mål H x B x D  | 821 mm × 486 mm × 480 mm                           |
| Nettovægt  | 22 kg  |



## Svenska

|    |                             |     |
|----|-----------------------------|-----|
| 1  | Observera.....              | 219 |
| 2  | Förklaring av symboler..... | 219 |
| 3  | Säkerhetsanvisningar.....   | 220 |
| 4  | Leveransomfattning.....     | 222 |
| 5  | Tillbehör.....              | 222 |
| 6  | Avsedd användning.....      | 224 |
| 7  | Teknisk beskrivning.....    | 224 |
| 8  | Användning.....             | 227 |
| 9  | Rengöring och skötsel.....  | 235 |
| 10 | Felsökning.....             | 238 |
| 11 | Garanti.....                | 241 |
| 12 | Kassering.....              | 241 |
| 13 | Tekniska data.....          | 241 |
| 14 | Tekniska data.....          | 244 |

## 1 Observera

Läs och följ noggrant alla instruktioner, direktiv och varningar i den här produkthandboken för att säkerställa att du alltid installerar, använder och underhåller produkten på rätt sätt. Dessa instruktioner **MÅSTE** förvaras tillsammans med produkten.

Genom att använda produkten bekräftar du härmed att du noggrant har läst alla instruktioner, direktiv och varningar och att du förstår och är införstådd med att följa de villkor som anges här. Du är införstådd med att endast använda denna produkt i avsett syfte och i enlighet med instruktionerna, direktiven och varningarna som anges i denna produkthandbok samt i enlighet med alla gällande lagar och bestämmelser. Om du inte läser och följer instruktionerna och varningarna som anges här kan det leda till personskador på dig eller andra, på produkten eller annan egendom i närheten. Denna produkthandbok, inklusive instruktionerna, direktiven och varningarna samt relaterad information, kan ändras och uppdateras. Aktuell produktinformation finns på [documents.dometic.com](http://documents.dometic.com).

## 2 Förklaring av symboler

Ett signalord identifierar säkerhetsmeddelanden och meddelanden om egendomsskada och indikerar även farans allvarlighetsgrad.



### FARA!

Anger en farlig situation som, om den inte kan undvikas, leder till döden eller allvarlig personskada.



### WARNING!

Anger en farlig situation som, om den inte kan undvikas, kan leda till döden eller allvarlig personskada.



### AKTA!

Anger en farlig situation som, om den inte kan undvikas, leder till lindrig eller måttlig personskada.



### OBSERVERA!

Anger en situation som, om den inte kan undvikas, kan leda till materiell skada.



**ANVISNING** Kompletterande information om användning av produkten.

## 3 Säkerhetsanvisningar

### Allmänna säkerhetsanvisningar



#### **WARNING! Risk för dödsfall på grund av elektricitet**

- > Kylskåpet får endast installeras och tas bort av kvalificerad personal.
- > Installation i fuktiga utrymmen och områden som är utsatta för vatten får endast utföras av fackmän.
- > Om kylskåpet installeras under en baldakin eller i en liknande miljö ska kylskåpet skyddas mot regn och vattenstänk.
- > Om kylskåpet uppvisar synliga skador får det inte användas.
- > Reparationer på kylskåpet får endast utföras av kvalificerad personal. Icke fackmässiga reparationer kan medföra allvarliga risker eller skador på kylskåpet.
- > Om kylskåpets anslutningskabel skadas måste den, av säkerhetsskäl, bytas ut av tillverkaren, tillverkarens kundtjänst eller någon med liknande kvalifikationer.
- > Kontrollera att elsladden inte har fastnat eller skadats i samband med placering av kylskåpet.
- > Placera inte flera uttag eller bärbara nätaggregat bakom kylskåpet.
- > Ta inte tag i avskalade ledningar med händerna.
- > Koppla in enheten i uttag som garanterar en korrekt anslutning när enheten behöver jordas.
- > Om apparaten drivs med elnätsanslutning ser du till att strömförsörjningen är säkrad med en automatsäkring för restström (RCCB) eller en jordfelsbrytare (GFCI). Installationen måste utföras i enlighet med alla tillämpliga föreskrifter, särskilt i potentiellt fuktiga områden.



#### **WARNING! Brandrisk**

- > I kylkretsen finns en liten mängd miljövänligt, köldmedium. Det skadar inte ozonlagret och ökar inte växthuseffekten. Köldmedium som läcker kan antändas.
- > Använd eller förvara inte kylskåpet i begränsade utrymmen utan luftflöde eller där luftflödet är svagt.
- > Säkerställ att monteringsplatsen för kylskåpet är fri från elkomponenter och ljuskällor som alstrar gnistor vid normal eller onormal drift (dvs. reläer eller säkringar).
- > Kylskåpets isolering innehåller brännbart cyklopentan och det krävs särskilda rutiner för avfallshanteringen. När kylskåpet har uppnått slutet av livscykeln ska den lämnas till lämplig återvinningscentral.



#### **WARNING! Explosionsrisk**

Förvara inga ämnen som kan explodera i kylskåpet, som t.ex. aerosolburkar med brännbar drivgas.



#### **WARNING! Hälsorisk**

- > Barn från 8 års ålder, personer med nedsatt fysisk, sensorisk eller mental förmåga, eller personer med bristande erfarenhet och kunskaper får använda det här kylskåpet förutsatt att de hålls under uppsikt eller om de har fått anvisningar om hur man använder kylskåpet på ett säkert sätt och känner till vilka risker som är förknippade med användningen.
- > Barn i åldrarna tre till åtta år får lasta in eller ut varor i eller ur kylskåpet.
- > Utan uppsikt får barn inte utföra rengörings- eller underhållsarbeten.
- > Barn bör hållas under uppsikt, så att de inte leker med kylskåpet.



#### **WARNING! Risk för att barn fastnar**

- > Se till att hyllorna är monterade och säkrade så att barn inte kan låsa in sig i kylskåpet.
- > Innan det gamla kylskåpet omhändertas:
  - Demontera lådan.

- Låt hyllorna vara kvar i kylskåpet så att barn inte kan klättra in i skåpet.
- > Ta bort dörrarna.



#### **AKTA! Hälsorisk**

- > Sätt fast kylskåpet enligt installationsanvisningarna så att det inte uppstår risker till följd av instabilitet.
- > Kontrollera att ventilationsöppningarna kring kylskåpet och i den inbyggda konstruktionen inte blockeras.
- > Påskynda inte avfrostsprocessen genom att använda mekaniska anordningar eller andra verktyg som tillverkaren inte rekommenderar.
- > Kylkretsloppet får under inga omständigheter öppnas eller skadas.
- > Använd inga elektriska apparater för arbeten inne i kylskåpet. Undantag: apparaterna rekommenderas för sådan användning av tillverkaren.



#### **AKTA! Risk för personskada**

- > Använd eller förvara inte brännbart material i eller i närheten av kylskåpet.
- > Placera inte objekt på eller mot det här kylskåpet.
- > Modifiera inte detta kylskåp.



#### **OBSERVERA! Risk för skada**

- > Välj drift med likström endast när fordonets motor är igång och generatoren levererar tillräckligt med spänning, eller när du använder en batterivakt.
- > Kondensatavloppet ska alltid vara rent, i förekommande fall.
- > Om kylskåpet har ventilationsgaller ska du inte använda högtryckstvätt nära ventilationsgallren.
- > Kylskåpet får inte utsättas för regn.
- > Dra aldrig ut stickkontakten ur uttaget genom att dra i anslutningskabeln.

## **Säkerhet vid användning av kylprodukten**



#### **FARA! Risk för dödsfall på grund av elektricitet**

Kontrollera, innan kylan tas i drift, att elkabeln och stickkontakten är torra.



#### **AKTA! Hälsorisk**

- > Se till att det du ställer in i kylskåpet får kylas till den inställda temperaturen.
- > Rengör med jämna mellanrum ytor som kan komma i kontakt med livsmedel och åtkomliga avloppssystem.
- > Förvara rätt kött och rå fisk i lämpliga behållare i kylskåpet, så att det inte kommer i kontakt med och kan droppa på andra livsmedel.
- > Om dörren hålls öppen under lång tid finns det en risk att man får en betydande ökning av temperaturen i kylskåpsfacken. Om kylan står tom under lång tid:
  - Stäng av kylskåpet.
  - Avfrosta kylskåpet.
  - Rengör och torka kylan.
  - Lämna dörren öppen för att förhindra att det bildas mögel i kylan. Ställ kylskåpsdörren och frysdörren i vinterläge i förekommande fall.



#### **AKTA! Risk för personskada**

- > Håll fingrarna borta från gångjärnen.
- > Stäng och lås kylskåpsdörren innan du börjar köra.

- > Kylsystemet på kylskåpets baksida blir mycket varmt när det är igång. Om kylskåpet är utrustat med ventilationsgaller ska du skydda dig mot kontakt med varma delar när du tar bort ventilationsgallren.
- > Om apparatens dörr eller frysfacksdörren används på fel sätt finns det risk att den helt lossnar från apparaten. Tryck igen dörrarna tills det hörs ett tydligt klick upptill och nedtill.



### **OBSERVERA! Risk för skada**

- > Luta dig inte mot den öppna kylskåpsdörren.
- > Tunga varor som t.ex. flaskor eller burkar ska endast förvaras i kylskåpsdörren, i grönsaksfacket eller på den nedre hyllan.
- > Om kylskåpet har en dubbelsidig dörr och dörren inte är ordentligt låst på den motsatta sidan, ska du skjuta upptill och nedtill på den sidan tills låset hakar i.
- > **Risk för överhettning!** Se till att värmen som alstras under användningen kan avledas ordentligt. Kylskåpet måste ha tillräckligt stort avstånd till väggen/andra föremål, så att luften kan cirkulera fritt.
- > Fyll inte kylskåpets inandöme med is eller vätskor.
- > Skydda kylan och kablarna mot värme och fukt.
- > Dra aldrig ut stickkontakten ur uttaget genom att dra i anslutningskabeln.



### **ANVISNING**

- > Kontakta fordonstillverkaren om fordonets batterihanteringssystemet stänger av kylskåpet för att skydda batteriet.
- > Välj medeltemperaturinställning vid omgivningstemperaturer på 15 °C ... 25 °C .
- > Om dörren på den motsatta sidan inte är ordentligt låst, ska du skjuta upptill och nedtill på den sidan tills låset hakar i.
- > Observera följande så att du inte behöver kasta bort livsmedel:
  - Temperaturen ska vara så jämn som möjligt. Öppna inte frysfacket oftare och håll det inte öppet längre än nödvändigt. Förvara livsmedlen på så sätt att luften kan cirkulera.
  - Se till att det du ställer in i kylskåpet får kylas till den inställda temperaturen.
  - Förvara de olika typerna av livsmedel enligt bilderna.
  - Om det är möjligt att justera temperaturen: Justera temperaturen efter mängden och typen av livsmedel.
  - Livsmedel tar lätt upp eller utsöndrar lukter eller smaker. Livsmedel ska alltid förvaras övertäckta eller i förslutna behållare/flaskor.

## **4 Leveransomfattning**

| Mängd | Beskrivning                  |
|-------|------------------------------|
| 1     | Kylskåp med kompressor       |
| 1     | Dräneringsrör                |
| 1     | Kortfattad användarhandbok   |
| 1     | Bruksanvisning (bara online) |
| 1     | Monteringsanvisning          |

## **5 Tillbehör**

Följande tillbehör finns tillgängliga (ingår inte i leveransen):

| Beskrivning                            | Art.nr                             |
|--|------------------------------------|
| Glidgångjärn                           | 9620012939                         |
| Fästram inklusive nedre ram            |                                    |
| • NRX0035, NRX0050                     | 9620012877                         |
| • NRX0060                              | 9620012881                         |
| • NRX0080                              | 9620012882                         |
| • NRX0115                              | 9620012878                         |
| • NRX0130                              | 9620012876                         |
| Fästram inklusive nedre ram (svart)    |                                    |
| • NRX0035, NRX0050                     | 9620012874                         |
| • NRX0060                              | 9620012875                         |
| • NRX0080                              | 9620012880                         |
| • NRX0115                              | 9620012879                         |
| • NRX0130                              | 9620012883                         |
| Ersättningshylla för avlägsnat frysack |                                    |
| • NRX0035, NRX0050                     | 9620012933                         |
| • NRX0060                              | 9620012938                         |
| • NRX0080                              | 9620012935                         |
| • NRX0115, NRX0130                     | 9620012932                         |
| Frysack                                |                                    |
| • NRX0035, NRX0050                     | 9620012931                         |
| • NRX0060                              | 9620012936                         |
| • NRX0080                              | 9620012934                         |
| • NRX0115, NRX0130                     | 9620012937                         |
| Växelströms-/likströmsadapter          | 9620013449 (EU)<br>9620013450 (UK) |

## 6 Avsedd användning

Kylskåpet är avsett för:

- Installation i husvagnar, husbilar, båtar och lastbilar
- Att kyla och förvara livsmedel
- **Endast NRX0035 – 0130(C/S):** Förvaring av frysta varor
- Inomhusbruk

Kylskåpet är inte avsett för att användas kommersiellt, inom försäljning eller hushåll.

Kylskåpet är **inte** avsett för följande:

- Förvaring av läkemedel
- Förvaring av frätande ämnen eller ämnen som innehåller lösningsmedel
- Snabbfrysning av livsmedel
- Utomhusbruk

Vid användning på båtar ska enheten installeras i dagrum och inte på öppna däck.

Frysacket för djupfrysning är avsett för förvaring av livsmedel som frysts ned i förväg, förvaring eller tillagning av glass samt isbitar. Det är inte avsett för infrysning av livsmedel som tidigare inte varit fryst.

Kylskåpet är avsett för montering i förvaringsskåp eller en monteringsnisch.

Optimal kyleffekt tillhandahålls i omgivningstemperatur mellan 16 °C ... 43 °C och vid en maximal luftfuktighet på 90 %.

Den här produkten lämpar sig endast för avsedd användning i enlighet med denna bruksanvisning.

Den här manualen informerar om vad som krävs för att installera och/eller använda produkten på rätt sätt. Felaktig installation eller användning eller felaktigt underhåll kommer leda till att produkten inte fungerar optimalt och riskerar gå sönder.

Tillverkaren åtar sig inget ansvar för personskador eller materiella skador på produkten som uppstår till följd av:

- Felaktig installation, montering eller anslutning, inklusive för hög spänning
- Felaktigt underhåll eller användning av reservdelar som inte är originaldelar från tillverkaren
- Ändringar som utförts utan uttryckligt medgivande från tillverkaren
- Användning för andra ändamål än de som beskrivs i denna bruksanvisning

Dometic förbehåller sig rätten att ändra produktens utseende och specifikationer.

## 7 Teknisk beskrivning

Kylskåpet är ett kompressorkylskåp.

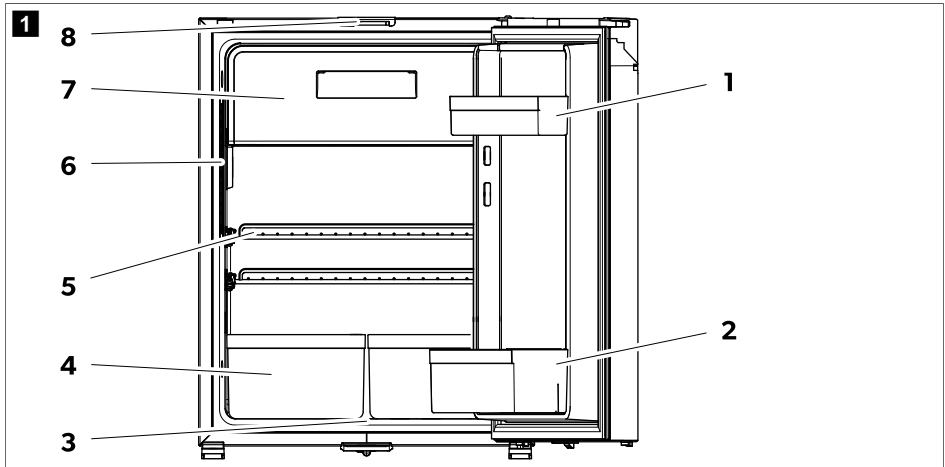
Kylskåpet är utformat för att fungera med olika energislag och kan drivas med antingen likström eller växelström.

NRX0035 – 0130(C/S): Modellen har ett fabriksmonterat frysack, som kan tas bort och monteras tillbaka.

Kylskåpsdörren har en låsmekanism som även fungerar som transportsäkring.

Alla material i kylskåpet är ämnade för livsmedel och är ofarliga.

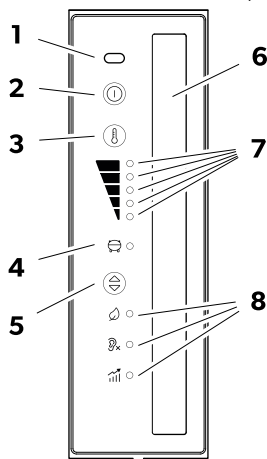
## Produktbeskrivning



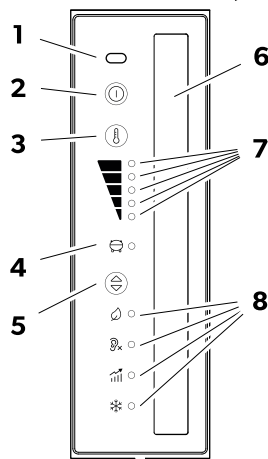
| Nr | Förklaring  |
|----|---|
| 1  | Dörrhylla (endast NRX0035 – 0130[C/S], NRX0080 – 0130[E]) |
| 2  | Flaskhylla  |
| 3  | Kondensavlopp   |
| 4  | Grönsakslåda (endast NRX0035 – 0130[C/S])                 |
| 5  | Skåphylla   |
| 6  | Kontrollpanel med display                                 |
| 7  | Frysack (endast NRX0035 – 0130[C/S])                      |
| 8  | Dörrlås för ventilation                                   |







## Reglage och lysdioder

## NRX0035 – 0130 (E)



## NRX0035 – 0130 (C/S)



| Nr | Förklaring   |
|----|--|
| 1  | Dörröppningssensor IR  |
| 2  | ⏻ Strömbrytare PÅ/AV   |
| 3  | ⓘ Inställningsknapp kylnivå  |
| 4  | LED kompressor- och felindikator   |
| 5  | ⊕ Knapp för driftläge  |
| 6  | Innerbelysning   |
| 7  | Indikator-LED kylnivå<br> <ul style="list-style-type: none"> <li> Kylnivå 5</li> <li> Kylnivå 4</li> <li> Kylnivå 3</li> <li> Kylnivå 2</li> <li> Kylnivå 1</li> </ul> |
| 8  | Driftläge LED-indikatorer  |

## LED kompressor- och felindikator





LED kompressor- och felindikatorn visar driftstatusen på kompressorn eller indikerar ett fel:

| Color            | Beskrivning                              |
|------------------|--|
| Vit              | Kompressor på                            |
| Orange           | Kompressor av                            |
| Orange (blinker) | Fel (se kapitlet Felindikering sida 241) |



## Driftläge LED-indikatorer

LED-indikatorerna för driftläge visar följande inställningsmöjligheter:

| Symbol  | Beskrivning   |
|---|---|
|  | ECO-läge:<br>Drift med reducerad energianvändning.<br>Kylnivå 1 – 3   |
|  | TYST-läge:<br>Drift med reducerad ljudnivå.<br>Kylnivå 1 – 4  |
|  | EFFEKT-läget:<br>Kylnivå 1 – 5  |
|  | FRYS-läge (endast NRX0035 – 0130[C/S]):<br>Drift med borttaget fryslock. Kyler ned hela kylskåpet till –6 °C. |

## 8 Användning

### 8.1 Före den första användningen

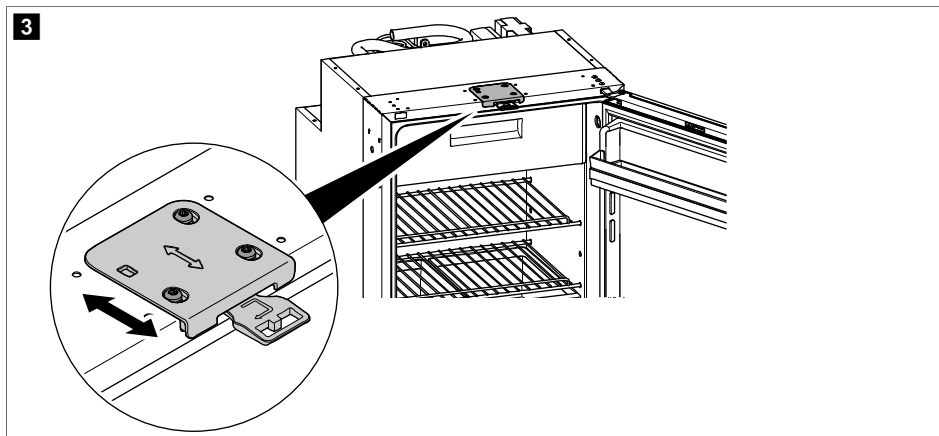


#### ANVISNING

- > Förvara inte några varor i kylskåpet under de första 4 timmarna efter idrifttagandet.
- > Första gången kylskåpet tas i drift kan man känna lukter som dock försvinner efter några timmar. Vädra bodelen väl.
- > Kyleffekten kan påverkas av:
  - omgivningstemperaturen (t.ex. om fordonet utsätts för direkt solljus),
  - mängden livsmedel som ska kylas,
  - hur ofta locket öppnas
- > Rengör kylskåpens insida av hygienskäl (se Rengöring och skötsel sida 235).
- > Ställ fordonet vågrätt, särskilt när kylskåpet tas i drift och fylls på inför resan.

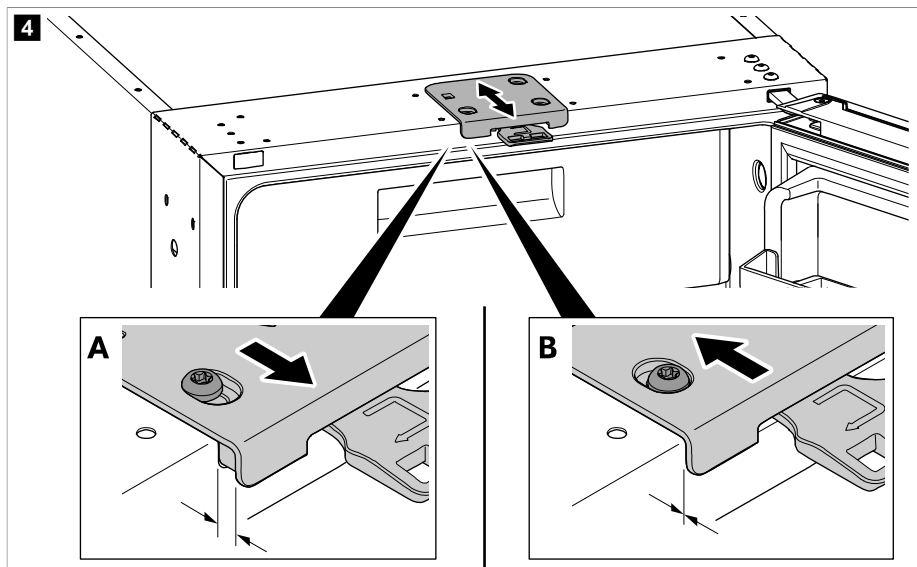
#### 8.1.1 Justera dörrlåset

Dörrlåset högst upp på kylskåpet kan justeras för att reglera hur stängd dörren ska vara.



**i** **ANVISNING** Kontrollera om det justerbara dörrlåset är monterat. Beställ vid behov det justerbara dörrlåset ([dometic.com](http://dometic.com)) och byt ut det fasta dörrlåset mot det justerbara dörrlåset.

> Dörrlåset ställs i läge **A** på fabriken. Ställ dörrlåset i läge **B**.



**i** **ANVISNING** Om dörrlåset är i läge **B** kontrollerar du att dörren låses ordentligt när den stängs (se kapitel Stänga och låsa kylskåpsdörren sida 230).

## 8.2 Information om förvaring av livsmedel



### AKTA! Hälsorisk

Om kylskåpet under en längre tid utsätts för en omgivningstemperatur på under 10 °C går det inte att garantera att temperaturen i frysfacket hålls jämn. Detta kan leda till att temperaturen i frysfacket ökar och att varorna smälter.

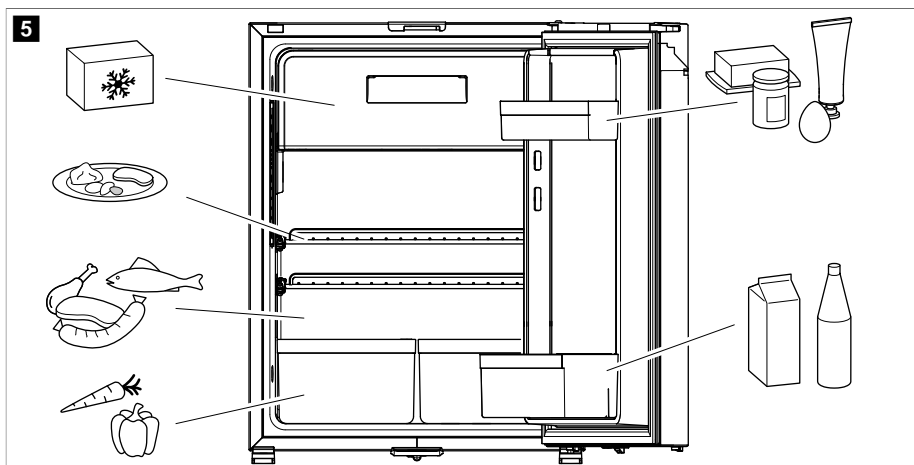


### OBSERVERA! Risk för skada

- > Observera max. last per dörrhylla och dörren när du fyller på kylskåpet (se Tekniska data sida 241).
- > Förvara inga kolsyrade drycker i frysfacket.

Observera följande så att du inte behöver kasta bort livsmedel:

- Temperaturen ska vara så jämn som möjligt. Öppna inte kylskåpet oftare och håll det inte öppet längre än nödvändigt. Förvara livsmedlen på så sätt att luften kan cirkulera.
  - Justera temperaturen efter mängden och typen av livsmedel.
  - Förvara de olika typerna av livsmedel enligt bilderna.
  - Livsmedel tar lätt upp eller utsöndrar lukter eller smaker. Livsmedel ska alltid förvaras övertäckta eller i förslutna behållare/flaskor.
- > Förvara livsmedel enligt bilden.



## 8.3 Spara energi

- Öppna inte kylskåpet oftare och håll det inte öppet längre än nödvändigt.
- Låt varm mat svalna innan den läggs in i kylan.
- Frosta av kylskåpet så snart det bildas is i det.
- Undvik en onödigt låg temperatur inne i kylan.
- För bästa möjliga energianvändning ska du placera hyllorna och lådorna såsom de var placerade vid leveransen.
- Kontrollera med jämna mellanrum att dörrens tätning fortfarande sitter korrekt.
- Ta regelbundet bort damm och smuts från kondensatorn.

## 8.4 Använda kylskåpsdörren



### AKTA! Risk för personskada

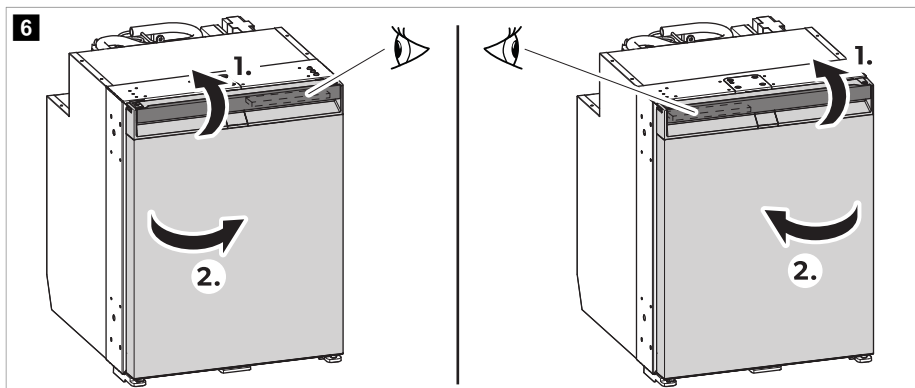
Om kylskåpsdörren och frysfacksdörren används på fel sätt finns det risk att de helt lossnar från apparaten.

### 8.4.1 Öppna kylskåpsdörren



**ANVISNING** Var noga med att dra i handtaget på motsatt sida i förhållande till dörrstoppet. Notera skjutreglagets position. Se tillhörande monteringsanvisning.

> Gör på följande sätt för att öppna kylskåpsdörren.



### 8.4.2 Stänga och låsa kylskåpsdörren



### AKTA! Risk för personskada

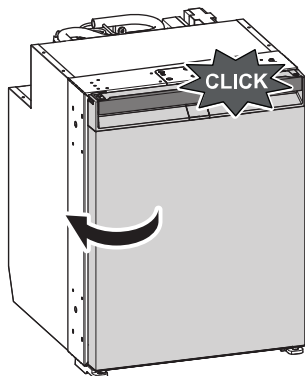
Om dörren inte är ordentligt låst ska man försiktigt skjuta upp till och ned till på dörren tills den är låst.



**ANVISNING** Kylskåpsdörren har en låsmekanism som även fungerar som transportsäkring.

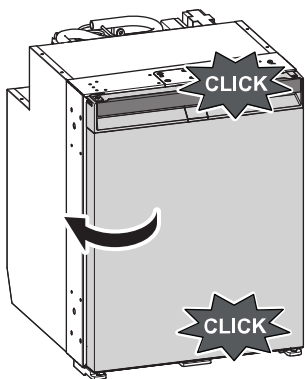
- > NRX0035 – 0130(E): Tryck igen dörren tills det hörs ett tydligt klick upptill.

## 7 NRX0035 – 0130 (E)



- > NRX0035 – 0130(C/S): Tryck igen dörren tills det hörs ett tydligt klick upptill och nedtill.

## 8 NRX0035 – 0130 (C/S)





- ✓ Dörren är nu stängd och låst.

### 8.5 Slå på och stänga av




**ANVISNING** Stäng alltid av kylskåpet om det inte kommer att användas under en längre tid.

- > Tryck ned och håll knappen  intryckt i minst 2 s för att slå på.
- ✓ Kylskåpet startar med den sist valda kylnivån och det sist valda driftläget.
- > Tryck ned och håll knappen  intryckt i minst 2 s för att stänga av.

## 8.6 Ställa in driftlägen



**ANVISNING** När du använder lägena ECO, EFFEKT, eller FRYS stannar systemet i detta läge tills läget ändras.

- > För att ställa in driftläge, tryck på knappen  flera gånger tills LED-indikatorn för driftläge visar önskat driftläge. Följande driftlägen finns tillgängliga:

### Använda ECO-läge

När ECO-läget är aktiverat körs kylskåpet med minskad energianvändning vid kylnivåerna 1 – 3.

- ✓ LED-indikatorn för ECO-läge () och LED-indikatorn för inställd kylnivå lyser.

### Använda TYST-läge

När TYST-läget är aktiverat används kylskåpet med reducerad ljudnivå vid kylnivåerna 1 – 4.



#### ANVISNING

- > TYST-läget är inte tillgängligt om kylskåpet används i FRYS-läge.
- > När man använder TYST-läget stannar kylskåpet i detta läge i 8 h och återgår sedan till det föregående valda läget (ECO eller EFFEKT).

- ✓ LED-indikatorn för TYST-läge () och LED-indikatorn för inställd kylnivå lyser.

### Använda EFFEKT-läge

När EFFEKT-läget är aktiverat körs kylskåpet i standardläget vid kylnivåerna 1 – 5.

- ✓ LED-indikatorn för EFFEKT-läge () och LED-indikatorn för inställd kylnivå lyser.

### Använda FRYS-läge

När FRYS-läget är aktiverat kyls hela insidan av kylskåpet till  $-6\text{ }^{\circ}\text{C}$ .



**ANVISNING** Ta ut frysfacket om du vill använda FRYS-läget.

- ✓ LED-indikatorn för FRYS-läge () och alla LED-indikatorer för kylnivå lyser kontinuerligt.

## 8.7 Ställa in kylnivå

- > Ställ in kylnivån genom att trycka på knappen  upprepade gånger tills den önskade kylnivån nås.

## 8.8 Placera om hyllorna



#### WARNING! Risk för att barn fastnar

NRX0060 – 0130: Alla galler sitter fast så att barn inte kan klättra in i kylskåpet.

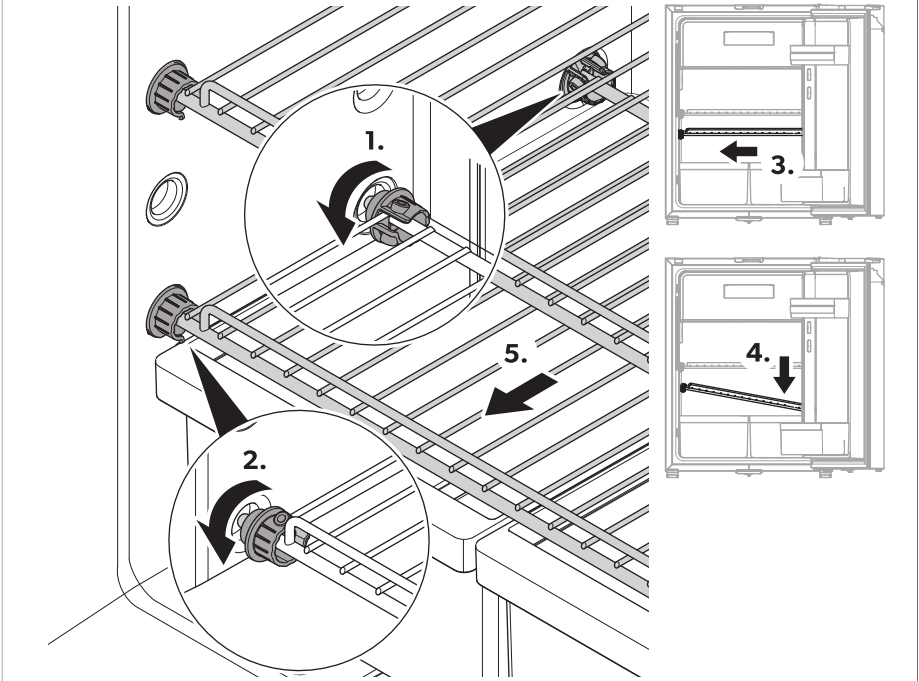
- > Ta bara bort gallren vid rengöring.
- > Sätt tillbaka hyllorna och lås fast dem.



**ANVISNING** Ta bort frysfacket innan du placerar om hyllorna för att bättre komma åt de bakre hyllfästena.

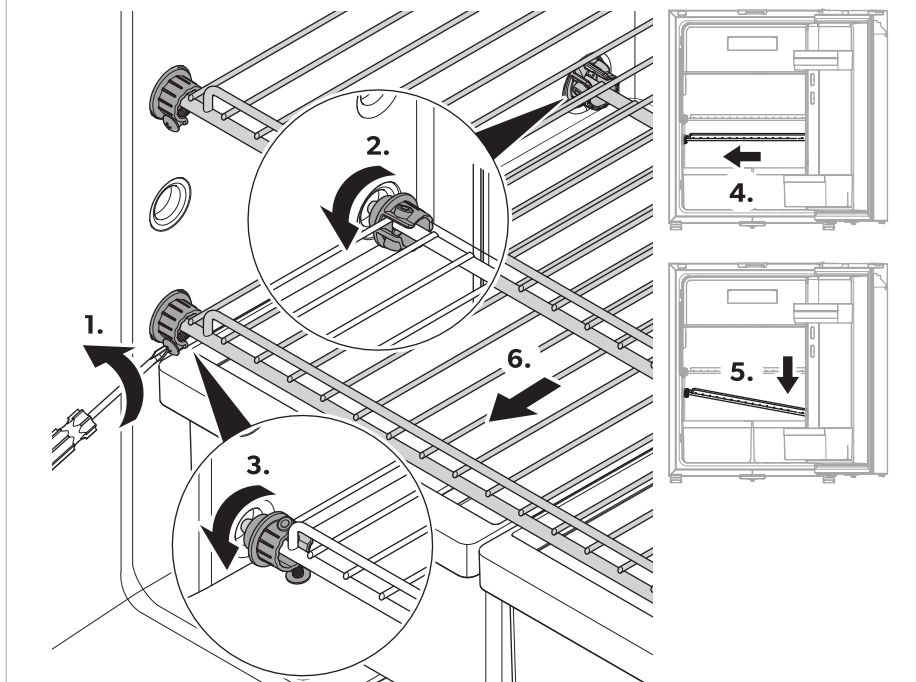
> **NRX0035-0050:** Följ anvisningarna för att placera om hyllorna.

## 9 NRX0035 – 0050



- > **NRX0035-0050:** Följ anvisningarna för att placera om hyllorna.

## 10 NRX0060 – 0130



### 8.9 Ta bort frysfacket

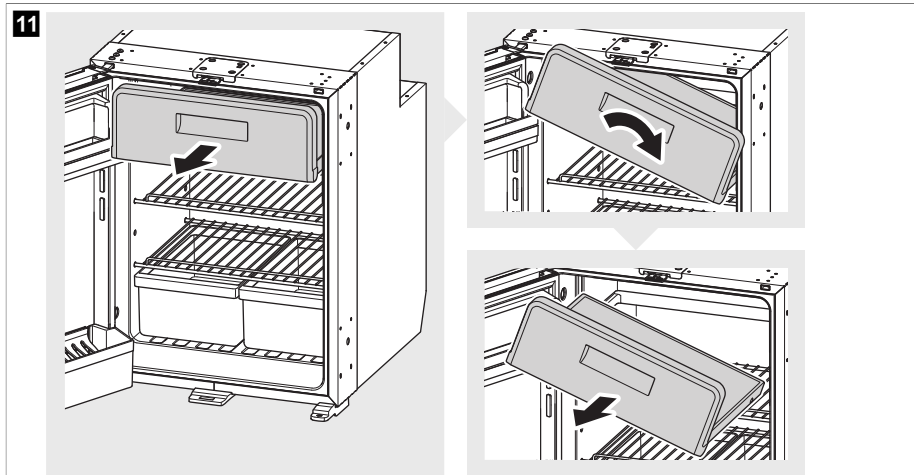


#### **OBSERVERA! Risk för skada**

- > Stäng dörren till frysfacket innan du tar bort frysfacket.
- > Ta tag i botten på frysfacket. Dra inte i frysfackets dörr.
- > Förvara frysfacket på en torr och sval plats.

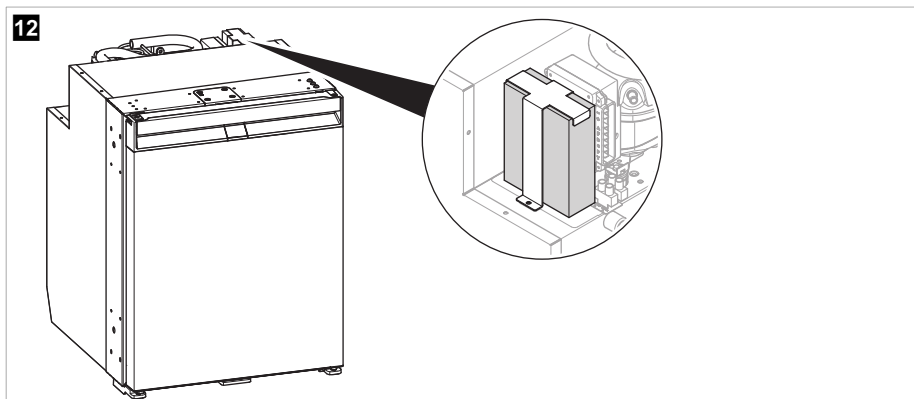


- > Följ anvisningarna för att ta bort frysfacket.



## 8.10 Installera växelströms-/likströmsadaptorn

- > Följ anvisningarna för att installera växelströms-/likströmsadaptorn (tillbehör).



## 9 Rengöring och skötsel



### **VARNING! Risk för dödsfall på grund av elektricitet**

Koppla alltid bort kylskåpet från elförsörjningen före rengöring och underhåll.

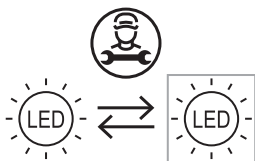


### **OBSERVERA! Risk för skada**

- > Använd inte aggressiva rengöringsmedel eller hårda föremål under rengöringen.
- > Avlägsna aldrig isbeläggningar eller fastfrosna föremål med hårda eller vassa/spetsiga verktyg.
- > Säkerställ att det inte kommer in vatten i tätningarna. Elektroniken kan skadas.

**OBSERVERA! Risk för skada**

Ljuskällan får endast bytas ut av tillverkaren, en servicerepresentant eller någon med liknande kvalifikationer för att förhindra fara.



- > Rengör kylskåpet invändigt och utvändigt med en fuktig trasa regelbundet och när den blir smutsig. Torka av kylapparaten med en trasa efter rengöringen.
- > Kontrollera utloppet för smältvatten regelbundet.  
Rengör utloppet för smältvatten vid behov. Om det är tilltäppt samlas vatten på golvet under kylskåpet.
- > Rengör regelbundet kondensorn från damm och smuts med en fuktig trasa.

**Kylkrets**

Kylkretsen är underhållsfri.

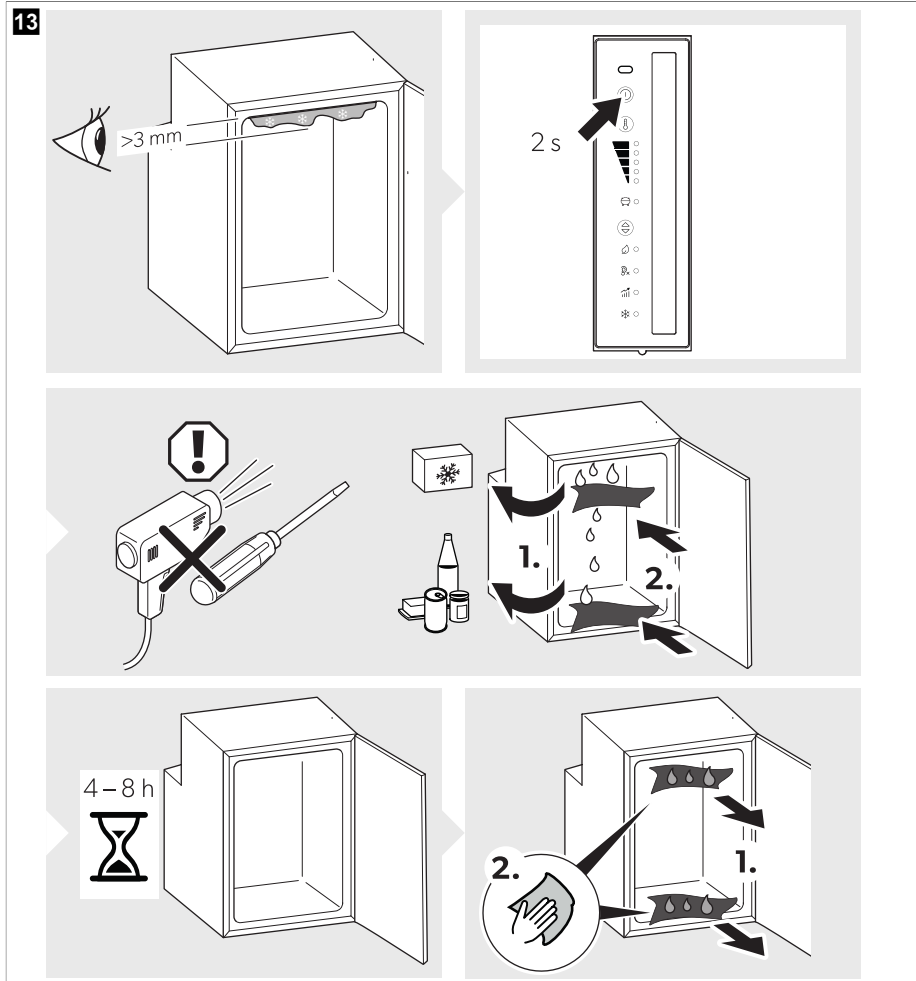
**Avfrosta kylskåpet****OBSERVERA! Risk för skada**

Använd inga mekaniska föremål eller andra hjälpmedel för att skynda på avfrostningen.



**ANVISNING** Efterhand kan frost bildas på bakväggen i kylskåpet. När detta frostlager blir 3 mm tjockt bör kylskåpet frostas av.

> Följ anvisningarna för att frosta av kylskåpet.



### Ställa kylskåpsdörren i förvaringsläge



#### **AKTA! Risk för personskada**

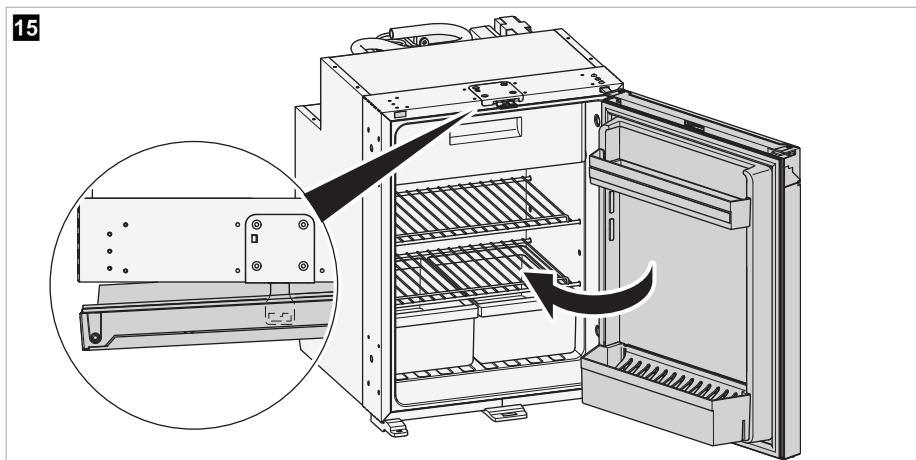
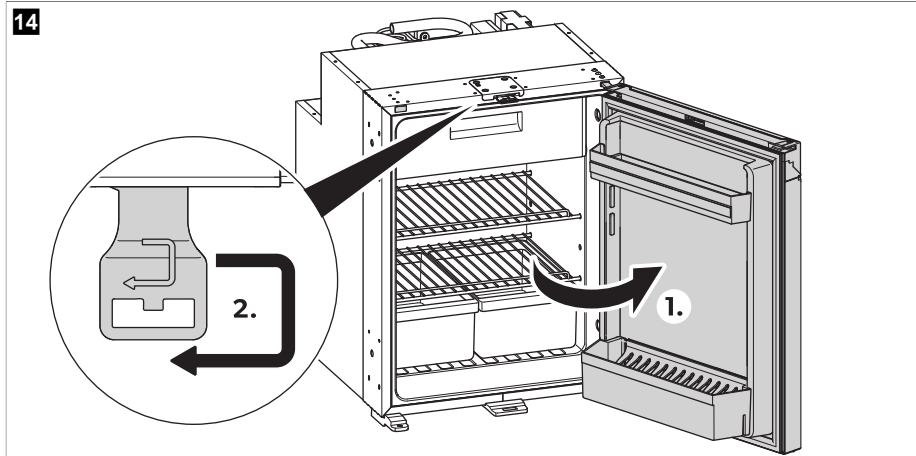
Det är inte tillåtet att ställa in förvaringsläget under körning.



**ANVISNING** Om du inte har för avsikt att använda apparaten under en längre tid ska du ställa kylskåpets dörr i förvaringsläge. På det här sättet förhindras att det bildas mögel.

> Frosta av kylskåpet (se Avfrosta kylskåpet sida 236).

> Följ anvisningarna för att ställa kylskåpsdörren i förvaringsläge.

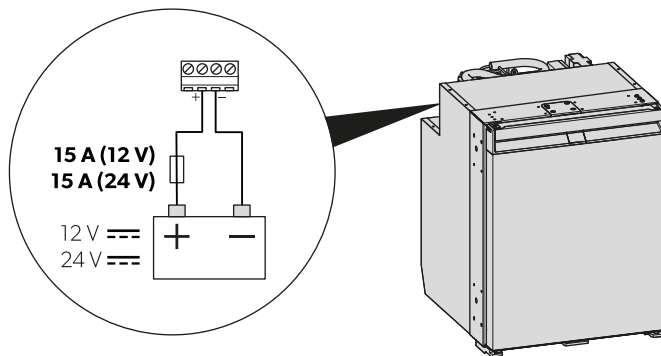



## 10 Felsökning



**ANVISNING** För säker drift av 12 V-förbrukare i husvagnen under körning måste man kontrollera att man får tillräckligt med spänning från dragfordonet. På vissa fordon kan det hända att batterihanteringsystemet automatiskt stänger av förbrukarna för att skydda batteriet. Inhämta information om detta från fordonstillverkaren.

16



| Fel  | Möjlig orsak  | Lösning  |
|--|---|--|
| Kylskåpet fungerar inte.   | Säkring i likströmskabeln är defekt.  | > Byt säkringen (  bild. 16 sida 239).  |
|  | Fordonets säkring har gått.   | > Byt ut fordonets säkring.<br>Se fordonets bruksanvisning.  |
|  | Fordonsbatteriet är urladdat.   | > Kontrollera fordonsbatteriet och ladda upp det.  |
|  | Tändningen är inte påslagen.  | > Slå på tändningen.   |
|  | Temperaturen vid kompressorn är för låg (< 0 °C).   | > Stäng/täck för alla externa ventilationsgaller fullständigt med isoleringsmaterial.  |
|  | Om spänningen inte är tillräckligt hög stängs kylskåpet av automatiskt.<br>(Frånkopplingsspänning: 10,4 V $\Rightarrow$ ) | > Ladda batteriet. Kylskåpet startar om automatiskt.<br>(Tillkopplingsspänning: 11,7 V $\Rightarrow$ )   |
| Kyleffekten sjunker, innetemperaturen stiger. Kompressorn kör oavbrutet. | Otillräcklig ventilation runt aggregatet.   | > Kontrollera att ventilationsgallret inte är blockerat.<br>> Flytta kylskåpet till en annan plats.  |
|  | Det bildas frost på innerväggarna.  | > Kontrollera att kylskåpsdörren går igen ordentligt.<br>> Säkerställ att kylskåpets tätning sitter korrekt och inte är skadad.<br>> Frosta av kylskåpet (se Avfrosta kylskåpet sida 236). |
|  | Temperaturen har ställts in för högt.   | > Ställ in en lägre temperatur.  |
|  | Omgivningstemperaturen är för hög.  | > Ta tillfälligt ut ventilationsgallret så att den varma luften släpps ut snabbare.  |
|  | Det har placerats för många livsmedel i kylskåpet på samma gång.  | > Ta bort några livsmedel.   |
|  | Det har placerats för många varma livsmedel i kylskåpet på samma gång.  | > Ta ut de varma livsmedlen och låt de svalna av innan de läggs in i kylskåpet.  |

| Fel  | Möjlig orsak  | Lösning   |
|--|---|---|
|  | Kylskåpet har bara varit påslaget en kort tid.  | > Kontrollera temperaturen igen efter 4 h / 5 h .                   |
|  | Kondensatorn är smutsig.  | > Rengör kondensatorn (se kapitlet Rengöring och skötsel sida 235). |
|  | Fläkten är defekt.  | > Kontakta en auktoriserad servicerepresentant.                     |
| Kyleffekten sjunker, innetemperaturen stiger.<br><br>Kompressorn kör sällan.                               | Batterikapaciteten är förbrukad.  | > Ladda batteriet.  |
| Kyleffekten sjunker, innetemperaturen stiger.<br><br>Kompressorn går inte (batterianslutning).             | Det finns ett avbrott i batteriets elektroniska anslutning.   | > Upprätta en anslutning.   |
|  | Huvudbrytaren är defekt (i förekommande fall).  | > Byt huvudbrytare.   |
|  | Extra säkring har löst ut (i förekommande fall).  | > Byt ut säkringen.   |
|  | Batterispänningen är för låg.   | > Ladda batteriet.  |
|  | Batterikapaciteten är för låg.  | > Byt batteri.  |
|  | Kablarna är lösa.<br>Kontakten är dålig (korrosion).  | > Upprätta en anslutning.   |
|  | För liten kabelarea.  | > Byt ut kabeln.  |
| Kyleffekten sjunker, innetemperaturen stiger.<br><br>Kompressorn går inte (anslutning till växelspänning). | Kompressorn är defekt.  | > Kontakta en auktoriserad servicerepresentant.                     |
|  | Strömanslutningen är bruten.  | > Upprätta en anslutning.   |
|  | Huvudbrytaren är defekt (i förekommande fall).  | > Byt huvudbrytare.   |
|  | Extra säkring har löst ut (i förekommande fall).  | > Byt ut säkringen.   |
| Ovanliga ljud.   | Kompressorn är defekt.  | > Kontakta en auktoriserad servicerepresentant.                     |
|  | En komponent på kylkretsloppet kan inte röras fritt (ligger mot väggen).                                  | > Böj ut komponenten försiktigt.                                    |
|  | Främmande föremål mellan kylaggregatet och väggen.  | > Ta bort föremålet.  |
| Dörren öppnas oavsiktligt vid rörelse (t.ex. under körning).   | Ljud från fläkten.  | > Kontakta en auktoriserad servicerepresentant.                     |
|  | Dörrlåset är ställt i läge <b>A</b> (se kapitel Justera dörrlåset sida 227).                              | > Ställ dörrlåset i läge <b>B</b> .                                 |
| Dörren stänger inte riktigt.   | Dörrlåset är ställt i läge <b>A</b> (se kapitel Justera dörrlåset sida 227).                              | > Ställ dörrlåset i läge <b>B</b> .                                 |
|  | Dörrlåset är ställt i läge <b>B</b> (se kapitel Justera dörrlåset sida 227) men dörren är inte helt låst. | > Se till att dörren låses ordentligt när den stängs.               |

## Felindikering



### ANVISNING

- > Alla fel indikeras genom att LED-felindikatorn blinkar orange (se Reglage och lysdioder sida 226). Antalet blinkningar beror på typen av fel. Varje blinkning pågår en kvarts sekund. Efter sekvensen av blinkningar följer en paus. "Felblinkningarna" upprepas var fjärde sekund.
- > I ECO-, EFFEKT- och FRYSLÄGE hörs ytterligare en ljudsignal.

| Blinkningsfrekvens | Error                           | Möjlig orsak   |
|--------------------|---------------------------------|--|
| 1                  | Under- eller överspänning       | Försörjningsspänningen ligger utanför det inställda området.   |
| 2                  | Fläkt-överström                 | Fläkten belastar elektronikenheten med mer än 1 A.   |
| 3                  | Motorn startar inte             | Rotorn har fastnat.<br>Tryckdifferensen i kylsystemet är för hög.  |
| 4                  | För lågt varvtal                | Om kylsystemet belastas för mycket kan motorns min. varvtal inte upprätthållas.                                |
| 5                  | Övertemperatur, elektronikenhet | Elektronikenheten blir för varm om kylsystemet belastas för mycket eller om för hög temperatur har ställts in. |
| Konstant           | Fel på temperaturgivare         | Temperaturgivaren är defekt.   |

## 11 Garanti

Den lagstadgade garantitiden gäller. Kontakta tillverkarens filial i ditt land (se [dometic.com/dealer](http://dometic.com/dealer)) eller din återförsäljare om produkten är defekt.

För reparations- och garantibehandling skickar du med följande dokument när du returnerar produkten:

- En kopia på fakturan med inköpsdatum
- En reklambeskrivning eller felbeskrivning

Observera att självständiga eller icke professionella reparationer kan påverka säkerheten och leda till att garantin blir ogiltig.

## 12 Kassering



### OBSERVERA! Risk för skada

Kylapparatens isolering innehåller brännbart cyklopentan och det krävs särskilda rutiner för avfallshanteringen. När kylapparaten har uppnått slutet av livscykeln ska den lämnas till lämplig återvinningscentral.



Lämna om möjligt förpackningsmaterialet till återvinning. Kontakta ett lokalt återvinningscenter eller specialiserad återförsäljare för information om hur man kasserar produkten i enlighet med gällande bestämmelser. Europa: Produkten kan kasseras utan avgift.

## 13 Tekniska data

Gå till respektive produktsida på [dometic.com](http://dometic.com) eller kontakta tillverkaren direkt (se [dometic.com/dealer](http://dometic.com/dealer)) för en aktuell EU-försäkrans om överensstämmelse.

## SV NRX35-130

Den här apparaten uppfyller kraven för UN/ECE-förordningen R10.

|   | NRX0035(E/C/S)  | NRX0050(E/C/S)            | NRX0060(E/C/S)           |
|---|---|---------------------------|--------------------------|
| Volym                                       |   |                           |                          |
| • Kylfack (endast NRX0035 – 0130[C/S])      | 27,3 L  | 39,6 L                    | 48,9 L                   |
| • Frysack (endast NRX0035 – 0130[C/S])      | 4,4 L   | 4,4 L                     | 6,1 L                    |
| • Total kapacitet                           | 32 L  | 44 L                      | 55 L                     |
| • Total kapacitet (frysack borttaget)       | 34 L  | 46 L                      | 58 L                     |
| Anslutningsspänning                         |   | 12 / 24 V <sup>===</sup>  |                          |
| Skydd för fritidsbatteri ( 12 V )           |   |                           |                          |
| • Frånkopplingspänning                      |   | 10,4 V                    |                          |
| • Återkopplingspänning                      |   | 11,7 V                    |                          |
| Skydd för fritidsbatteri ( 24 V )           |   |                           |                          |
| • Frånkopplingspänning                      |   | 22,8 V                    |                          |
| • Återkopplingspänning                      |   | 24,2 V                    |                          |
| Klimatklass                                 |   | T                         |                          |
| Förvaringstemperaturområde:                 |   |                           |                          |
| • Kylbox                                    |   | 0 °C ... 12 °C            |                          |
| • Frysack (endast NRX0035 – 0130[C/S])      |   | -15 °C ... -5 °C          |                          |
| • Frysläge (endast NRX0035 – 0130[C/S])     |   | -6 °C                     |                          |
| Avsedd användning av omgivningstemperaturen |   | 16 °C ... 43 °C           |                          |
| Köldmedium                                  |   | R134a                     |                          |
| mängden köldmedium                          | 24 g  | 26 g                      | 30 g                     |
| Koldioxidekvivalent                         | 0,034 t   | 0,037 t                   | 0,043 t                  |
| Global uppvärmningspotential (GWP)          |   | 1430                      |                          |
| Buller (EN 60704)                           |   | 40 ... 45 dB(A)           |                          |
| Mått H x B x D                              | 525 x 380 x 355 mm<br>(utan kompressor och avståndshållare)<br>525 mm x 380 mm x 480 mm<br>(med kompressor och avståndshållare) | 525 mm x 380 mm x 510 mm  | 525 mm x 448 mm x 537 mm |
| Nettovikt                                   | E: 13,5 kg<br>C, S: 16 kg   | E: 14,5 kg<br>C, S: 17 kg | E: 16 kg<br>C, S: 17 kg  |



|   | NRX0035(E/C/S)           | NRX0050(E/C/S)          | NRX0060(E/C/S)          |
|---|--------------------------|-------------------------|-------------------------|
| Max. last                                   |                          |                         |                         |
| • Per dörrhylla                             | 4 kg                     | 4 kg                    | 5 kg                    |
| • Per dörr                                  | E: 4 kg<br>C/S: 8 kg     | E: 4 kg<br>C/S: 8 kg    | E: 5 kg<br>C/S: 10 kg   |
|   | NRX0080(E/C/S)           | NRX0115(E/C/S)          | NRX0130(E/C/S)          |
| Volym                                       |                          |                         |                         |
| • Kylfack (endast NRX0035 – 0130[C/S])      | 68,4 L                   | 104,5 L                 | 118 L                   |
| • Frysack (endast NRX0035 – 0130[C/S])      | 6,6 L                    | 8,2 L                   | 8,2 L                   |
| • Total kapacitet                           | 75 L                     | 113 L                   | 126 L                   |
| • Total kapacitet (frysack borttaget)       | 78 L                     | 116 L                   | 130 L                   |
| Anslutningsspänning                         | 12 / 24 V <sup>===</sup> |                         |                         |
| Skydd för fritidsbatteri ( 12 V )           |                          |                         |                         |
| • Frånkopplingsspänning                     | 10,4 V                   |                         |                         |
| • Återkopplingsspänning                     | 11,7 V                   |                         |                         |
| Skydd för fritidsbatteri ( 24 V )           |                          |                         |                         |
| • Frånkopplingsspänning                     | 22,8 V                   |                         |                         |
| • Återkopplingsspänning                     | 24,2 V                   |                         |                         |
| Klimatklass                                 | T                        |                         |                         |
| Förvaringstemperaturområde                  |                          |                         |                         |
| • Kylbox                                    | 0 °C ... 12 °C           |                         |                         |
| • Frysack (endast NRX0035 – 0130[C/S])      | -15 °C ... -5 °C         |                         |                         |
| • Frysläge (endast NRX0035 – 0130C/S)       | -6 °C                    |                         |                         |
| Avsedd användning av omgivningstemperaturen | 16 °C ... 43 °C          |                         |                         |
| Köldmedium                                  | R134a                    |                         |                         |
| mängden köldmedium                          | 32 g                     | 40 g                    | 40 g                    |
| Koldioxidekivalent                          | 0,046 t                  | 0,057 t                 | 0,057 t                 |
| Global uppvärmningspotential (GWP)          | 1430                     |                         |                         |
| Buller (EN 60704)                           | 40 ... 45 dB(A)          |                         |                         |
| Mått H x B x D                              | 625 x 475 x 537 mm       | 745 x 525 x 568 mm      | 812 x 525 x 568 mm      |
| Nettovikt                                   | C, S: 20 kg<br>E: 18 kg  | C, S: 26 kg<br>E: 24 kg | C, S: 27 kg<br>E: 25 kg |

|                 | <b>NRX0080(E/C/S)</b> | <b>NRX0115(E/C/S)</b>  | <b>NRX0130(E/C/S)</b>  |
|-----------------|-----------------------|------------------------|------------------------|
| Max. last       |                       |                        |                        |
| • Per dörrhylla | 5 kg                  | 6 kg                   | 6 kg                   |
| • Per dörr      | 10 kg                 | E: 12 kg<br>C/S: 18 kg | E: 12 kg<br>C/S: 18 kg |

## 14 Tekniska data

Gå till respektive produktsida på [dometic.com](http://dometic.com) eller kontakta tillverkaren direkt (se [dometic.com/dealer](http://dometic.com/dealer)) för en aktuell EU-försäkran om överensstämmelse.

Den här apparaten uppfyller kraven för UN/ECE-förordningen R10.

|   | <b>NRX0090V</b>         |
|---|-------------------------|
| Volym                                       |                         |
| • Kylfack                                   | 79 L                    |
| • Frysack                                   | 8,4 L                   |
| • Total kapacitet                           | 87 L                    |
| • Total kapacitet (frysack borttaget)       | 92 L                    |
| Anslutningsspänning                         | 12 / 24 V <sup>==</sup> |
| Skydd för fritidsbatteri ( 12 V )           |                         |
| • Frånkopplingsspänning                     | 10,4 V                  |
| • Återinkopplingsspänning                   | 11,7 V                  |
| Skydd för fritidsbatteri ( 24 V )           |                         |
| • Frånkopplingsspänning                     | 22,8 V                  |
| • Återinkopplingsspänning                   | 24,2 V                  |
| Energianvändning                            | 0,35 kWh / 24 h         |
| Klimatklass                                 | T                       |
| Förvaringstemperaturområde                  |                         |
| • Kylbox                                    | 0 °C ... 15 °C          |
| • Frysack                                   | -12 °C ... -5 °C        |
| • Frysläge                                  | -5 °C ± 2 °C            |
| Avsedd användning av omgivningstemperaturen | 16 °C ... 43 °C         |
| Köldmedium                                  | R600a                   |
| mängden köldmedium                          | 22 g                    |
| Koldioxidekivalent                          | 0,000 t                 |
| Global uppvärmningspotential (GWP)          | 3                       |
| Bullernivå (EN60704)                        |                         |
| • EFFEKT-läge                               | < 40 dB(A)              |
| • TYST-läge                                 | 37 dB(A)                |

|                |                          |
|----------------|--------------------------|
|                | <b>NRX0090V</b>          |
| Mått H x B x D | 821 mm x 486 mm x 480 mm |
| Nettovikt      | 22 kg                    |

## Norsk

|    |                                |     |
|----|--------------------------------|-----|
| 1  | Viktige merknader.....         | 246 |
| 2  | Symbolforklaring.....          | 246 |
| 3  | Sikkerhetsinstruksjoner.....   | 247 |
| 4  | Leveringsomfang.....           | 249 |
| 5  | Tilbehør.....                  | 249 |
| 6  | Forskriftsmessig bruk.....     | 251 |
| 7  | Teknisk beskrivelse.....       | 251 |
| 8  | Betjening.....                 | 254 |
| 9  | Rengjøring og vedlikehold..... | 262 |
| 10 | Feilretting.....               | 265 |
| 11 | Garanti.....                   | 268 |
| 12 | Avfallshåndtering.....         | 268 |
| 13 | Tekniske spesifikasjoner.....  | 268 |
| 14 | Tekniske spesifikasjoner.....  | 271 |

## 1 Viktige merknader

Vennligst les disse instruksjonene nøye og følg alle anvisninger, retningslinjer og advarsler i denne produktveiledningen for å sikre at du installerer, bruker og vedlikeholder produktet ordentlig til enhver tid. Disse instruksjonene MÅ alltid følge med produktet.

Ved å bruke dette produktet bekrefter du at du har lest alle anvisninger, retningslinjer og advarsler grundig, og at du forstår og samtykker i å overholde vilkårene slik de er presentert her. Du godtar å bruke dette produktet kun til tiltenkt formål og bruksområder, og i samsvar med anvisningene, retningslinjene og advarslene slik de er presentert i denne produktveiledningen, så vel som i samsvar med alle gjeldende lovbestemmelser og forskrifter. Hvis anvisningene og advarslene som er presentert her, ikke blir lest og fulgt, kan det føre til personskader hos deg selv eller andre, skader på produktet eller skader på annen eiendom i nærheten. Denne produktveiledningen med sine anvisninger, retningslinjer og advarsler, samt relatert dokumentasjon, kan være underlagt endringer og oppdateringer. For oppdatert produktinformasjon, se [documents.dometic.com](http://documents.dometic.com).

## 2 Symbolforklaring

Et signalord identifiserer sikkerhetsmeldinger og meldinger om mulige skader på eiendom, og indikerer også alvorlighetsgraden av faren.



### FARE!

Kjennetegner en farlig situasjon som, dersom den ikke unngås, vil føre til alvorlige personskader, eventuelt med døden til følge.



### ADVARSEL!

Kjennetegner en farlig situasjon som - dersom den ikke unngås - kan resultere i alvorlige personskader, eventuelt med døden til følge.



### FORSIKTIG!

Kjennetegner en farlig situasjon som - dersom den ikke unngås - kan resultere i mindre til moderate personskader.



### PASS PÅ!

Kjennetegner en situasjon som - dersom den ikke unngås - kan resultere i materielle skader.



**MERK** Ytterligere informasjon om betjening av produktet.

## 3 Sikkerhetsinstruksjoner

### Grunnleggende sikkerhet



#### ADVARSEL! Fare for elektrisk støt

- > Montasje og demontering av kjøleskapet må kun utføres av kvalifisert personell.
- > Installasjon i vaskerom og områder som utsettes for vann, må utføres av en kvalifisert tekniker.
- > Ved installasjon av kjøleskapet under en baldakin eller lignende, må du sørge for at kjøleskapet beskyttes mot regn og vannsprut.
- > Kjøleskapet må ikke tas i bruk hvis det har synlige skader.
- > Reparasjoner av dette kjøleskapet må kun utføres av kvalifisert personell. Feil reparasjoner kan føre til betydelige farer hhv. skader på kjøleskapet.
- > Hvis tilkoblingskabelen til dette kjøleskapet kommer til skade, må det skiftes ut av produsenten, produsentens kundeservice eller en annen kvalifisert person for å unngå farlige situasjoner.
- > Ved posisjonering av kjøleskapet, sørg for at strømledningen ikke sitter fast eller er skadet.
- > Ikke plasser flere mobile strømkontakter eller mobile strømforsyninger bak på kjøleskapet.
- > Ikke berør blanke ledninger med bare hender.
- > Plugg apparatet til kontakter som sikrer en ordentlig forbindelse, spesielt når apparatet trenger å jordes.
- > Ved nettdrift må apparatet være sikret via en jordfeilbryter (RCCB) eller en jordfeilkretsbyter (GFCI). Installasjoner må utføres i samsvar med alle gjeldende forskrifter, særlig i potensielt fuktige områder.



#### ADVARSEL! Brannfare

- > Kjølekretslopet inneholder en liten mengde miljøvennlig, kjølemiddel. Det skader ikke ozonlaget, og øker ikke drivhuseffekten. Kjølemiddel som lekker ut, kan ta fyr.
- > Ikke benytt eller oppbevar kjølemiddel i lukkede rom med null eller minimal luftgjennomstrømning.
- > Hold installasjonsnisen for kjøleskapet fri for elektriske komponenter og lyskilder, som under normal eller unormal drift genererer gnister eller lysbuer (dvs. releer eller sikringsbokser).
- > Isolasjonen av kjøleskapet inneholder antenkelig syklopentan og krever spesielle avfallshåndteringsprosedyrer. Lever inn kjøleskapet til en egnet gjenvinningsstasjon etter endt levetid.



#### ADVARSEL! Eksplosjonsfare

Ikke oppbevar eksplosjonsfarlige stoffer som spraybokser med drivgass i kjøleskapet.



#### ADVARSEL! Helsefare

- > Dette kjøleskapet kan brukes av barn fra 8 år og oppover, personer med reduserte fysiske, sensoriske eller mentale evner, eller personer som mangler erfaring og kunnskap hvis de er under oppsyn eller har fått veiledning i hvordan kjøleskapet brukes på en forsvarlig måte og forstår hvilke farer det innebærer.
- > Barn i alderen 3–8 år får lov til å laste inn og ut av kjøleskapet.
- > Rengjøring og vedlikehold skal ikke utføres av barn uten at de er under oppsyn.
- > Barn skal være under tilsyn for å sikre at de ikke leker med kjøleskapet.



#### ADVARSEL! Fare for at barn blir innestengt

- > Sørg for at hyllene er montert og festet slik at barn ikke kan sperre seg selv inne i kjøleskapet.
- > Før ditt gamle kjøleskap skal kastes:
  - Demonter skuffen.
  - La hyllene bli værende i kjøleskapet, slik at barn ikke kan gå inn i det.
- > Ta av dørene.

**FORSIKTIG! Helsefare**

- > For å unngå farer som følge av en manglende stabilitet på kjøleskapet, må det festes i samsvar med installeringsinstruksene.
- > Hold ventilasjonsåpningene, på kjøleskapet og i dets kabinett eller i den innebyggede rammen, frie for hindringer.
- > Ikke bruk mekaniske gjenstander eller andre midler til å fremskynde avrimingsprosessen, med mindre de er anbefalt av produsenten.
- > Kjølekretsløpet må ikke åpnes eller skades under noen omstendigheter.
- > Ikke bruk elektriske apparater inne i kjøleskapet med mindre produsenten anbefaler slik bruk av slike apparatene.

**FORSIKTIG! Fare for personskader**

- > Brennbare materialer må ikke brukes eller oppbevares i eller i nærheten av kjøleskapet.
- > Ikke plasser artikler på eller mot kjøleskapet.
- > Kjøleskapet må ikke modifiseres.

**PASS PÅ! Fare for skader**

- > Velg bare drift med likestrøm når kjøretøymotoren går og dynamoen leverer tilstrekkelig spenning, eller når du bruker batteriovervåker.
- > Et eventuelt kondensavløp må holdes rent til enhver tid.
- > Hvis kjøretøyet har luftegitter, må du ikke bruke høytrykksspylere til å rengjøre kjøretøyet i området rundt luftegitteret.
- > Kjøleskapet må ikke utsettes for regn.
- > Trekk aldri ut støpselet fra stikkkontakten etter tilkoblingskabelen.

**Sikkerhet ved bruk av kjølesystemet****FARE! Fare for elektrisk støt**

Sikre at strømkabelen og støpselet er tørre før kjøleskapet startes opp.

**FORSIKTIG! Helsefare**

- > Forsikre deg om at kjøleskapet bare fylles med varer som tåler nedkjøling til den valgte temperaturen.
- > Overflater som kan komme i kontakt med matvarer og tilgjengelige deler av dreneringssystemet må rengjøres regelmessig.
- > Oppbevar rått kjøtt og fisk i egnede beholdere i kjøleskapet, slik at det ikke kommer i kontakt med eller kan dryppe på andre matvarer.
- > Hvis døren er åpen i en lengre periode, kan dette føre til en vesentlig økning av temperaturen i rommene i kjøleskapet. Hvis kjøleskapet blir værende tomt over lengre tid:
  - Slå av kjøleskapet.
  - Avrim kjøleskapet.
  - Rengjør og tørk kjøleskapet.
  - La døren være åpen for å unngå muggdannelse inne i kjøleskapet. Sett kjøleskaps- og fryserdøren i vinterposisjon (hvis tilgjengelig).

**FORSIKTIG! Fare for personskader**

- > Ikke grip i hengselet.
- > Lukk og lås kjøleskapsdøren før du begynner å kjøre.

- > Kjølesystemet på baksiden av kjøleskapet blir svært varmt under drift. Hvis kjøleskapet er utstyrt med luftgitter, må du beskytte deg selv mot kontakt med varme deler når du fjerner luftgitteret.
- > Apparatets dør eller fryserdøren kan løsnes fullstendig fra enheten hvis enheten brukes på feil måte. Trykk igjen døren helt til det høres et tydelig klikk oppe og nede.



### PASS PÅ! Fare for skader

- > Ikke len deg mot den åpne kjøleskapsdøren.
- > Oppbevar store gjenstander som flasker eller bokser utelukkende i kjøleskapsdøren, i grønnssakskuffen eller på nederste hylle.
- > Hvis kjøleskapet har dobbeltsidig dør og døren ikke er låst korrekt på motsatt side, må det dyttes oppe og nede på døren på den siden helt til den smekker på plass.
- > **Fare for overoppheting!** Påse at varme som oppstår under drift alltid blir tilstrekkelig ventilert bort. Forsikre deg om at kjøleskapet står langt nok unna vegger eller gjenstander, slik at luften kan sirkulere.
- > Ikke fyll innsiden med is eller væsker.
- > Beskytt kjøleskapet og kabelen mot varme og fuktighet.
- > Trekk aldri ut støpselet fra stikkkontakten etter tilkoblingskabelen.



### MERK

- > Hvis kjøretøyets batteriforvaltningssystem slår av kjøleskapet for å beskytte batteriet, kontakter du kjøretøyprodusenten.
- > Ved omgivelsestemperaturer på 15 °C ... 25 °C velger du innstillingen for gjennomsnittlig temperatur.
- > Hvis døren ikke er låst korrekt på motsatt side, må det dyttes oppe og nede på døren på den siden helt til den smekker på plass.
- > For å unngå matsvinn, skal du gjøre følgende:
  - Hold temperatursvingningen så lav som mulig. Åpne kun fryseren så ofte og så lenge som nødvendig. Lagre matvarene slik at luften kan sirkulere godt.
  - Forsikre deg om at kjøleskapet bare fylles med varer som tåler nedkjøling til den valgte temperaturen.
  - Oppbevar matvarene som vist på illustrasjonene.
  - Hvis temperaturen kan justeres: Juster temperaturen etter mengde og type matvarer.
  - Matvarer kan enkelt absorbere eller frigi lukt eller smak. Oppbevar alltid matvarene tildekket eller i lukkede beholdere/flasker.

## 4 Leveringsomfang

| Antall | Beskrivelse                   |
|--------|-------------------------------|
| 1      | Kompressorkjøleskap           |
| 1      | Avløpsalbue                   |
| 1      | Hurtigveiledning              |
| 1      | Bruksanvisning (bare på nett) |
| 1      | Monteringsveiledning          |

## 5 Tilbehør

Tilgjengelig som tilbehør (ikke inkludert i leveransen):

| <b>Beskrivelse</b>   | <b>Art.nr.</b>   |
|--|--|
| Skyvehengsel   | 9620012939   |
| Festeramme inkludert bunnramme <ul style="list-style-type: none"> <li data-bbox="90 245 275 277">• NRX0035, NRX0050</li> <li data-bbox="90 301 194 333">• NRX0060</li> <li data-bbox="90 357 194 389">• NRX0080</li> <li data-bbox="90 413 189 445">• NRX0115</li> <li data-bbox="90 469 194 501">• NRX0130</li> </ul>         | 9620012877<br>9620012881<br>9620012882<br>9620012878<br>9620012876 |
| Festeramme inkludert bunnramme (svart) <ul style="list-style-type: none"> <li data-bbox="90 552 275 584">• NRX0035, NRX0050</li> <li data-bbox="90 608 194 639">• NRX0060</li> <li data-bbox="90 663 194 695">• NRX0080</li> <li data-bbox="90 719 189 751">• NRX0115</li> <li data-bbox="90 775 194 807">• NRX0130</li> </ul> | 9620012874<br>9620012875<br>9620012880<br>9620012879<br>9620012883 |
| Hylleerstatning for fjernet frysevarerom <ul style="list-style-type: none"> <li data-bbox="90 858 275 890">• NRX0035, NRX0050</li> <li data-bbox="90 914 194 946">• NRX0060</li> <li data-bbox="90 970 194 1002">• NRX0080</li> <li data-bbox="90 1026 267 1058">• NRX0115, NRX0130</li> </ul>                                 | 9620012933<br>9620012938<br>9620012935<br>9620012932               |
| Frysevarerom <ul style="list-style-type: none"> <li data-bbox="90 1107 275 1139">• NRX0035, NRX0050</li> <li data-bbox="90 1163 194 1195">• NRX0060</li> <li data-bbox="90 1219 194 1251">• NRX0080</li> <li data-bbox="90 1275 267 1307">• NRX0115, NRX0130</li> </ul>  | 9620012931<br>9620012936<br>9620012934<br>9620012937               |
| Vekselstrøm-/likestrøm-adapter   | 9620013449 (EU)<br>9620013450 (UK)                                 |



## 6 Forskriftsmessig bruk

Kjøleskapet er beregnet for:

- Installasjon i campingvogner, bobiler, båter og lastebiler
- Kjøling og oppbevaring av matvarer
- **Kun NRX0035-0130(C/S):** Oppbevaring av forhåndsfryst mat
- Innendørs bruk

Dette kjøleskapet er ikke ment for kommersiell bruk, detaljhandel eller husholdningsbruk.

Kjøleskapet er **ikke** egnet for:

- oppbevaring av legemidler
- oppbevaring av etsende stoffer eller stoffer som inneholder løsemidler
- hurtigfrysing av matvarer
- utendørs bruk

Ved bruk i båter må enheten installeres i et oppholdsrom og ikke på dekk.

Frysevarerommet er egnet for oppbevaring av allerede nedfrosset mat, samt oppbevaring eller laging av is krem og isbiter. Det er ikke egnet til å fryse matvarer som hittil ikke har vært frosset.

Kjøleskapet er ment for montering i et møbel eller en installasjonsnisje.

Optimal kjøleeffekt oppnås ved en omgivelsestemperatur mellom 16 °C ... 43 °C og med en maksimal luftfuktighet på 90 % .

Dette produktet er kun egnet for det tiltenkte formålet og bruksområdet i samsvar med disse instruksjonene.

Denne veiledningen gir informasjon som er nødvendig for korrekt montering og/eller bruk av produktet. Feilaktig montering og/eller ukorrekt bruk eller vedlikehold fører til utilfredsstillende ytelse og mulig svikt.

Produsenten fraskriver seg ethvert ansvar for personskader eller materielle skader på produktet som følge av:

- feilaktig installasjon, montering eller tilkobling, inkludert for høy spenning
- Ukorrekt vedlikehold eller bruk av andre reservedeler enn originale reservedeler levert av produsenten
- Modifisering av produktet uten at det er gitt uttrykkelig godkjenning av produsenten
- Bruk til andre formål enn beskrevet i denne veiledningen

Dometic forbeholder seg rettigheten til å endre produktet ytre og produktspesifikasjoner.

## 7 Teknisk beskrivelse

Kjøleskapet er et kompressorkjøleskap.

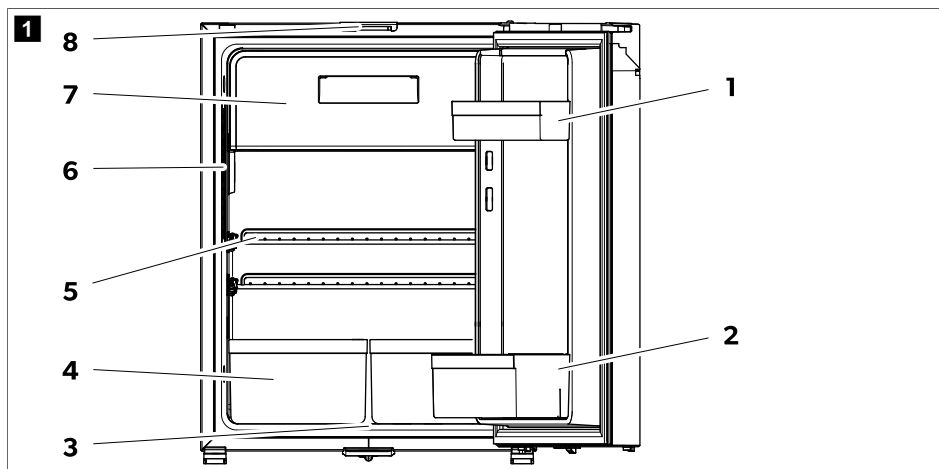
Kjøleskapet er beregnet for drift med forskjellige energityper, og kan drives med vekselstrøm eller likestrøm.

NRX0035-0130(C/S): Modellen er fabrikkmontert med et frysevarerom som kan tas av og monteres på nytt.

Kjøleskapsdøren har en låsemekanisme som også fungerer som transportsikring.

Alle materialer som er benyttet i kjølesystemet, er beregnet for matvarer.

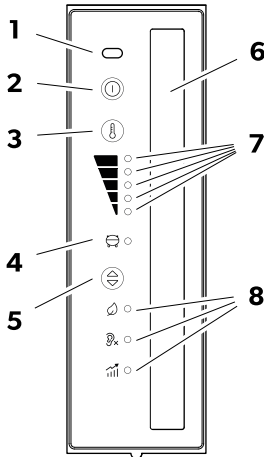
## Apparatbeskrivelse



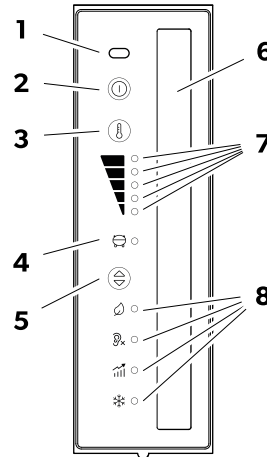
| Nr. | Forklaring  |
|-----|---|
| 1   | Dørhylle (kun NRX0035-0130[C/S], NRX0080-0130[E]) |
| 2   | Flaskehylle                                       |
| 3   | Kondensatutløp                                    |
| 4   | Grønnsakskuff (kun NRX0035-0130[C/S])             |
| 5   | Skaphylle   |
| 6   | Kontrollpanel med skjerm                          |
| 7   | Fryserom (kun NRX0035-0130[C/S])                  |
| 8   | Dørlås for ventilasjon                            |


## Kontroll- og visningselementer

### 2 NRX0035 – 0130 (E)



### NRX0035 – 0130 (C/S)



| Nr. | Forklaring   |
|-----|--|
| 1   | IR-døråpningssensor  |
| 2   | Ⓞ ON/OFF-knapp   |
| 3   | Ⓜ Innstillingsknapp for kjølenivå  |
| 4   | Indikatorlampe for kompressor og feil  |
| 5   | Ⓢ Knapp for driftsmodus  |
| 6   | Innvendig belysning  |
| 7   | Indikatorlampe for kjølenivå<br> <ul style="list-style-type: none"> <li>■ Kjølenivå 5</li> <li>■ Kjølenivå 4</li> <li>■ Kjølenivå 3</li> <li>■ Kjølenivå 2</li> <li>■ Kjølenivå 1</li> </ul> |
| 8   | Indikatorlampe for driftsmodus   |





### Indikatorlampe for kompressor og feil

Indikatorlampen for kompressor og feil viser driftsstatus til kompressoren eller hvis det er feil:

| Farge               | Beskrivelse                                       |
|---------------------|---|
| Hvit                | Kompressor på                                     |
| Oransje             | Kompressor av                                     |
| Oransje (blinkende) | Feil (se kapittel Indikasjon på feil på side 268) |

## Indikatorlampe for driftsmodus

Indikatorlampen for driftsmodus viser følgende innstillingsalternativ:

| Symbol  | Beskrivelse   |
|---|---|
|  | ECO-modus:<br>Drift med redusert energiforbruk.<br>Kjølenivå 1–3  |
|  | QUIET-modus:<br>Drift med redusert støynivå.<br>Kjølenivå 1–4   |
|  | PERFORMANCE-modus:<br>Kjølenivå 1–5   |
|  | FREEZER-modus (kun NRX0035–0130[C/S]):<br>Drift med frysevarerommet fjernet. Kjøler ned hele innsiden av kjøleskapet til $-6^{\circ}\text{C}$ . |

## 8 Betjening

### 8.1 Før første bruk

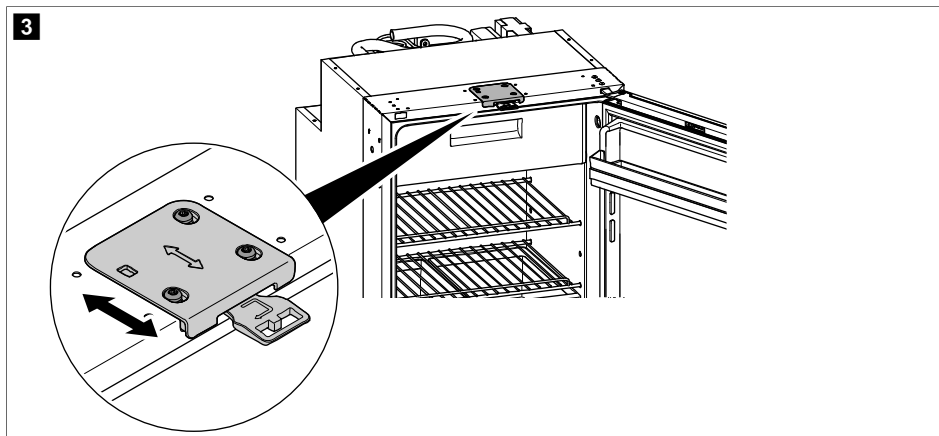


#### MERK

- > Ikke oppbevar matvarer i kjøleskapet de første 4 timene etter at det tas i bruk.
- > Ved første gangs igangkjøring av kjøleskapet kan det oppstå lukt som forsvinner etter noen timer. Gjennomluft rommet godt.
- > Kjøleeffekten kan bli påvirket av:
  - Omgivelsestemperaturen (f.eks. hvis kjøretøyet utsettes for direkte sollys)
  - Mengden matvarer som skal kjøles
  - Hvor ofte lokket blir åpnet
- > Rengjør innsiden av kjøleskapet av hygieniske årsaker (se Rengjøring og vedlikehold på side 262).
- > Plasser kjøretøyet vannrett, spesielt ved igangkjøring og fylling av kjøleskapet før reisen starter.

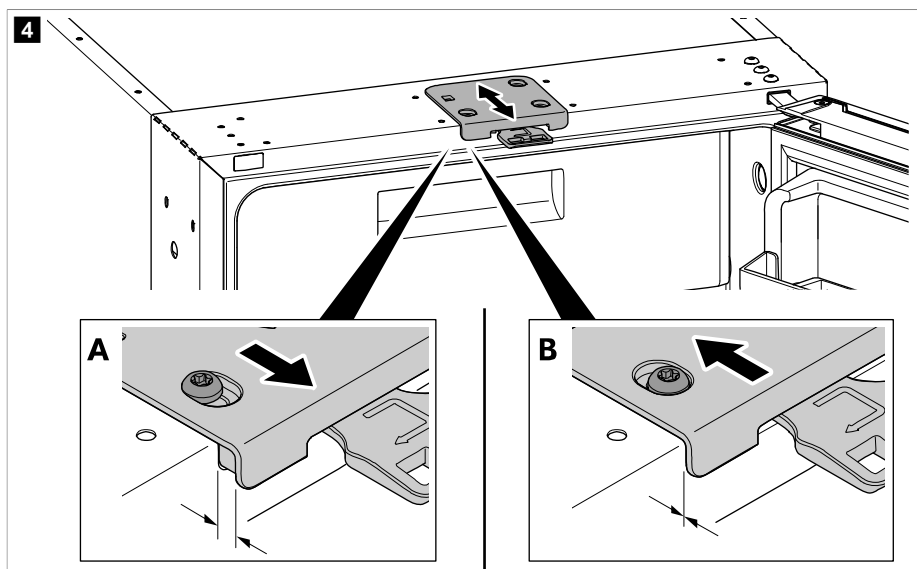
#### 8.1.1 Justerer dørlåsen

Dørlåsen øverst på kjøleskapet kan justeres til å regulere dørens lukkebredde.



**i** **MERK** Sjekk om den justerbare dørlåsen er montert. Om nødvendig kan du bestille den justerbare dørlåsen ([dometic.com](http://dometic.com)) og bytte ut den faste dørlåsen med den justerbare dørlåsen.

> Dørlåsen er satt til posisjon **A** på fabrikken. Flytt dørlåsen til posisjon **B**.



**i** **MERK** Hvis dørlåsen er i posisjon **B**, må du sørge for at døren låses ordentlig når den lukkes (se kapittel Lukke og låse kjøleskapsdøren på side 257).

## 8.2 Informasjon om oppbevaring av matvarer



### FORSIKTIG! Helsefare

Hvis kjøleskapet blir utsatt for en omgivelsestemperatur på under 10 °C over lengre tid, kan en jevn regulering av fryseromstemperaturen ikke garanteres lenger. Det kan forårsake at temperaturen til frysevarerommet øker og at de lagrede matvarene tines.

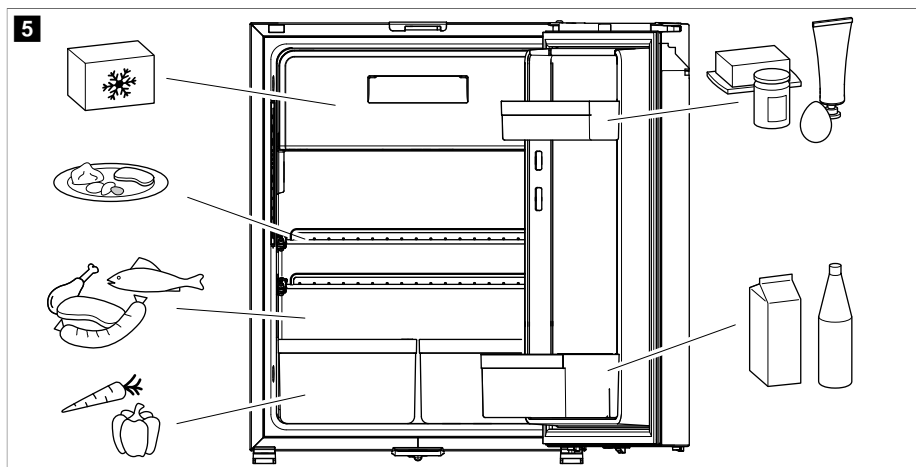


### PASS PÅ! Fare for skader

- > Vær oppmerksom på maksvekt per dørhylle og for døren når du fyller kjøleskapet (se Tekniske spesifikasjoner på side 268).
- > Ikke oppbevar kullsyreholdige drikker i frysevarerommet.

For å unngå matsvinn, skal du gjøre følgende:

- Hold temperatursvingningen så lav som mulig. Åpne kun kjøleskapet så ofte og så lenge som nødvendig. Lagre matvarene slik at luften kan sirkulere godt.
  - Juster temperaturen etter mengde og type matvarer.
  - Oppbevar matvarene som vist på illustrasjonene.
  - Matvarer kan enkelt absorbere eller frigi lukt eller smak. Oppbevar alltid matvarene tildekket eller i lukkede beholdere/flasker.
- > Oppbevar matvarer som vist.



## 8.3 Spare strøm

- Åpne kun kjøleskapet så ofte og så lenge som nødvendig.
- Kjøøl ned varme matvarer før du setter dem inn i boksen for å holde dem kjølige.
- Rim av kjøleskapet hvis det har dannet seg is i det.
- Unngå unødvendig høy innetemperatur.
- For et optimalt strømforbruk plasserer du hyllene og skuffene i henhold til posisjonen deres ved levering.
- Kontroller regelmessig at dørtetningen fortsatt passer riktig.
- Rengjør kondensatoren regelmessig for støv og forurensinger.

## 8.4 Benytte kjøleskapsdøren



### FORSIKTIG! Fare for personskader

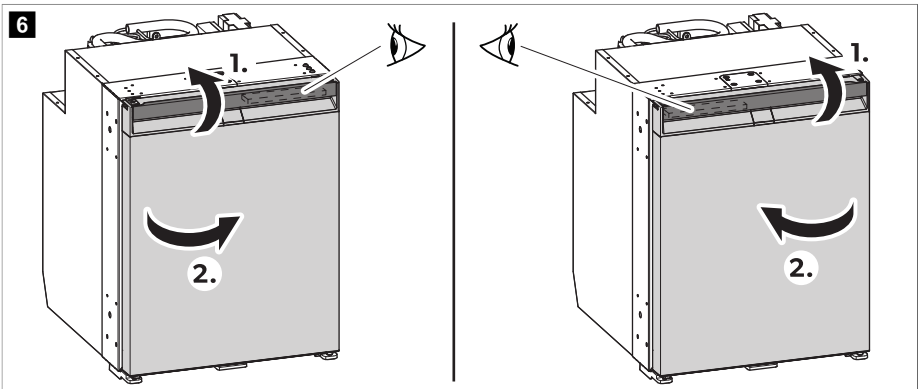
Kjøleskapsdøren eller døren til frysevarerommet kan løsnes fullstendig fra apparatet hvis det brukes på feil måte.

### 8.4.1 Åpne kjøleskapsdøren



**MERK** Sørg for å trekke håndtaket på den motsatte siden til dørstopperen. Merk deg den respektive posisjonen til skyveren. Se den tilhørende monteringsveiledningen.

> For å åpne kjøleskapsdøren, går du frem som vist.



### 8.4.2 Lukke og låse kjøleskapsdøren



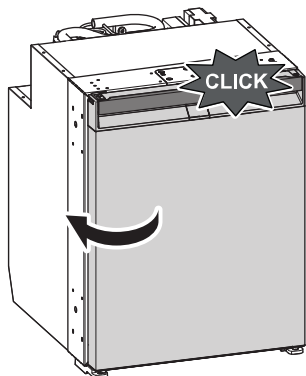
### FORSIKTIG! Fare for personskader

Hvis døren ikke er festet korrekt må det dyttes forsiktig oppe og nede på døren helt til den smekker på plass.

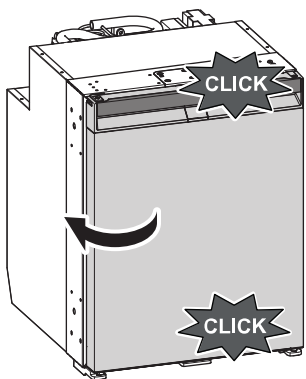


**MERK** Kjøleskapsdøren har en låsemekanisme som også fungerer som transportsikring.

- > NRX0035-0130(E): Trykk igjen døren til det høres et tydelig klikk øverst.

**7 NRX0035 – 0130 (E)**



- > NRX0035-0130(C/S): Trykk igjen døren helt til det høres et tydelig klikk oppe og nede.

**8 NRX0035 – 0130 (C/S)**

- ✓ Døren er nå lukket og låst.

**8.5 Slå av og på**

**MERK** Slå alltid av kjøleskapet hvis det ikke skal brukes på en god stund.

- > Trykk og hold inne -knappen én gang i minst 2 s sekunder for å slå på.
- ✓ Kjøleskapet slår seg på med det kjølenivået og den driftsmodusen som ble valgt sist.
- > Trykk og hold inne -knappen i minst 2 s sekunder for å slå av.



## 8.6 Stille inn driftsmodusene



**MERK** Ved bruk av ECO-, PERFORMANCE- eller FREEZER-modus, forblir systemet i denne modusen til ytterligere endringer blir gjennomført.

- > For å stille inn driftsmodus, trykker du på -knappen gjentatte ganger til indikatorlampen for driftsmodus lyser for den ønskede driftsmodusen.

Følgende driftsmoduser er tilgjengelige:

### Bruke ECO-modus

Med ECO-modus aktivert, drives kjøleskapet med redusert energiforbruk ved kjølenivåene 1–3.

- ✓ Indikatorlampen for ECO-modus () og indikatorlampen for kjølenivå for det valgte kjølenivået lyser.

### Bruke QUIET-modus

Med QUIET-modus aktivert, drives kjøleskapet med redusert støynivå ved kjølenivåene 1–4.




#### **MERK**

- > QUIET-modus er ikke tilgjengelig hvis kjøleskapet er i FREEZER-modus.
- > Når du bruker QUIET-modus, forblir kjøleskapet i denne modusen i 8 h og går deretter tilbake til den forrige modusen (ECO- eller PERFORMANCE-modus).

- ✓ Indikatorlampen for QUIET-modus () og indikatorlampen for kjølenivå for det valgte kjølenivået lyser.

### Bruke PERFORMANCE-modus

Med PERFORMANCE-modus aktivert, drives kjøleskapet i standardmodus ved kjølenivåene 1–5.


- ✓ Indikatorlampen for driftsmodus og PERFORMANCE-modus () og indikatorlampen for det valgte kjølenivået lyser.

### Bruke FREEZER-modus

Når FREEZER-modusen er aktivert, kjøles hele innsiden av kjøleskapet til en temperatur på  $-6^{\circ}\text{C}$ .



**MERK** Fjern frysevarerommet for å bruke FREEZER-modusen.

- ✓ Indikatorlampen for driftsmodus for FREEZER-modus () og alle indikatorlamper for kjølenivå lyser samtidig.

## 8.7 Stille inn kjølenivået

- > For å stille inn kjølenivået, trykker du på -knappen gjentatte ganger til ønsket kjølenivå er nådd.

## 8.8 Posisjonere hyllene på nytt



#### **ADVARSEL! Fare for at barn blir innestengt**

NRX0060–0130: Alle hyller er faste for å forhindre at barn ikke kan klatre inn i kjøleskapet.

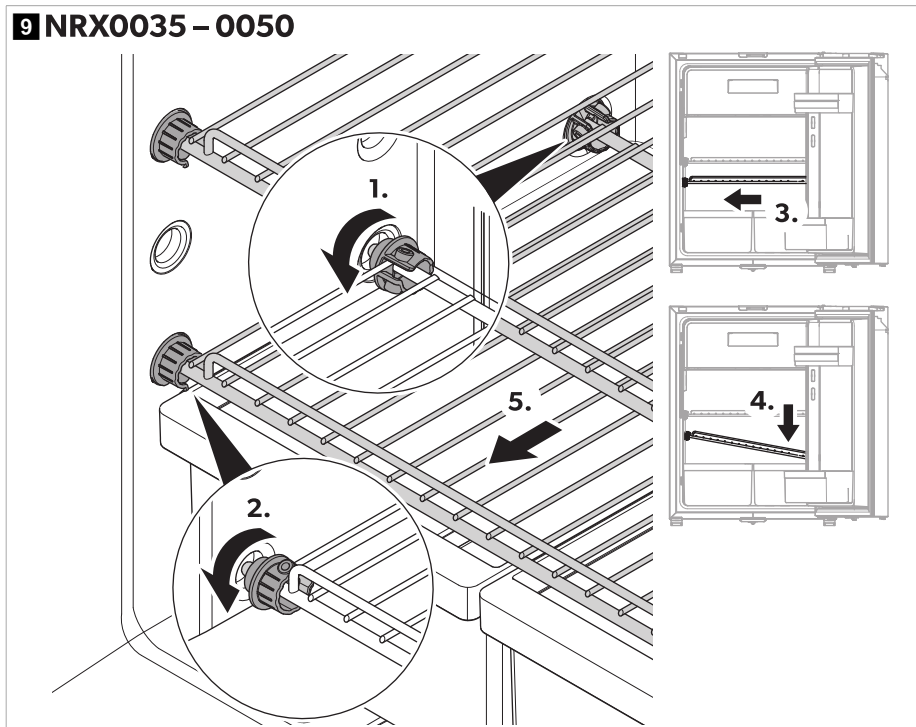
- > Hyllene må bare tas ut for rengjøring.
- > Tilpass hyllene og lås dem tilbake på plass.



**MERK** Fjern frysevarerommet før du posisjonerer hyllene på nytt for bedre tilgang til de bakre hyllebryterne.

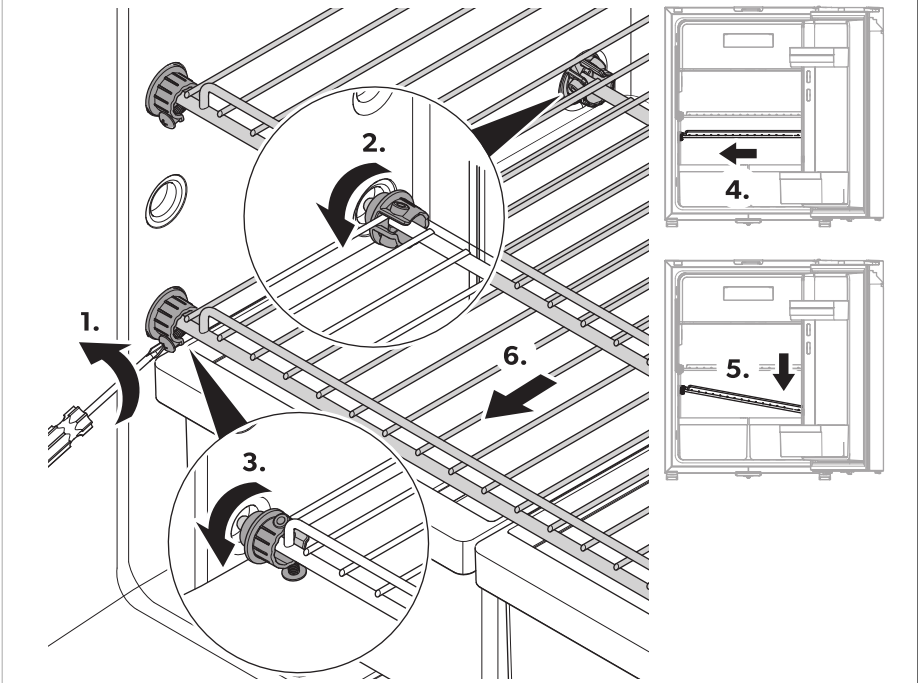
> **NRX0035-0050:** For å omklassere hyllene som ønsket, går du frem som vist.

### 9 NRX0035 – 0050



- > **NRX0035-0050:** For å omplassere hyllene som ønsket, går du frem som vist.

## 10 NRX0060 – 0130



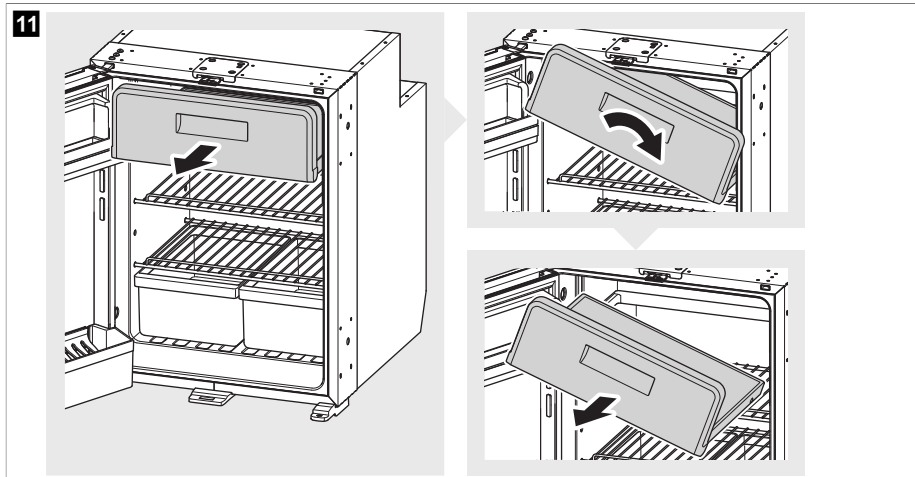
### 8.9 Fjerne frysevarerommet



#### **PASS PÅ! Fare for skader**

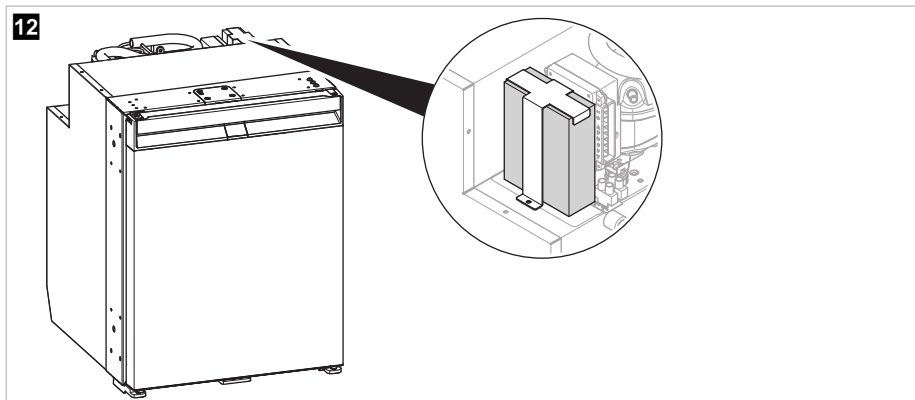
- > Lukk døren til frysevarerommet for å fjerne frysevarerommet.
- > Ta tak i frysevarerommet på bunnen. Ikke dra i døren til frysevarerommet.
- > Lagre frysevarerommet på en tørr og trygg plass.

- > For å fjerne frysevarerommet, går du frem som vist.



## 8.10 Installere vekselstrøm-/likestrøm-adapteren

- > For å installere vekselstrøm-/likestrømsadapteren (tilbehør) går du frem som vist.



## 9 Rengjøring og vedlikehold



### **ADVARSEL! Fare for elektrisk støt**

Før rengjøring og vedlikehold må kjøleskapet alltid kobles fra strømforsyningen.



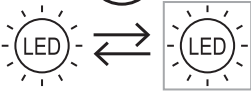
### **PASS PÅ! Fare for skader**

- > Ikke bruk skurende rengjøringsmidler eller harde gjenstander under rengjøring.
- > Bruk aldri harde eller spisse redskaper for å fjerne is, eller for å løsne frosne gjenstander.
- > Pass på at det ikke drypper vann inn i forseglingene. Dette kan skade elektronikken.



### PASS PÅ! Fare for skader

Lyskilden skal bare skiftes ut av produsenten, et serviceverksted eller andre kvalifiserte personer. Dette er for å unngå fare.



- > Rengjør kjøleskapet regelmessig både innvendig og utvendig med en fuktig klut, og med en gang det blir skittent. Når kjøleapparatet er rengjort, tørker man av det med en klut.
- > Kontroller kondensvannutløpet regelmessig.

Rengjør kondensvannutløpet ved behov. Hvis det er tilstoppet, samles det opp kondensvann på bunnen av kjøleskapet.

- > Fjern støv og smuss regelmessig fra kondensatoren med en fuktig klut.

### Kjølekretsløp

Kjølekretsløpet er vedlikeholdsfritt.

### Avrime kjøleskapet



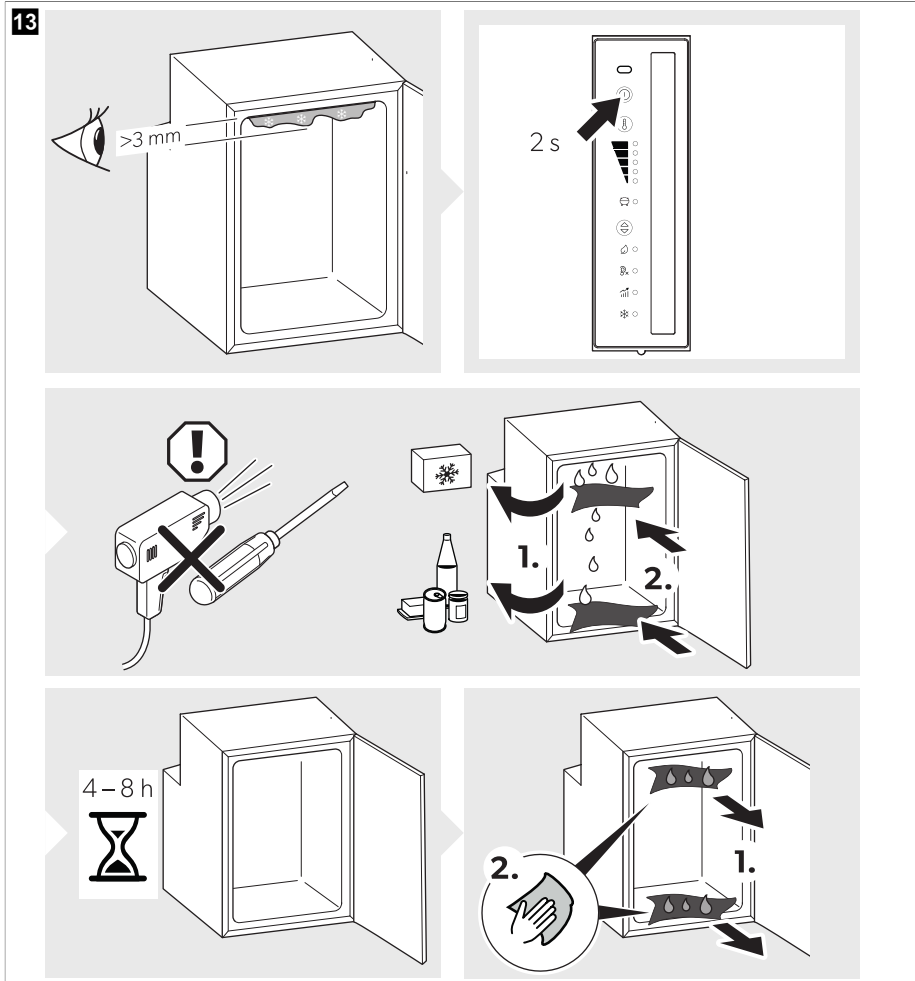
### PASS PÅ! Fare for skader

Ikke bruk mekaniske eller andre hjelpemidler for å fremskynde avrimingen.



**MERK** Over tid dannes det rim på bakveggen inne i kjøleskapet. Når dette rimlaget er omtrent 3 mm, må du tine av kjøleskapet.

> For å tine av kjøleskapet, følger du illustrasjonen.



### Sette kjøleskapsdøren i oppbevaringsposisjon



**FORSIKTIG! Fare for personskader**

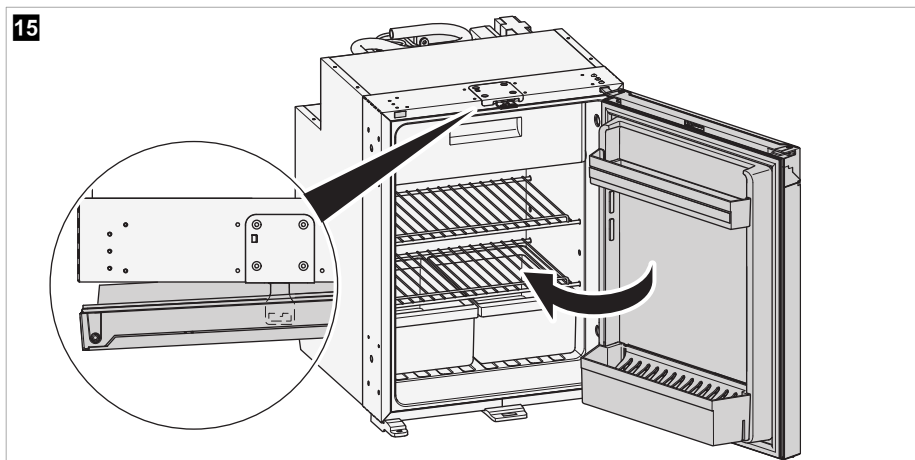
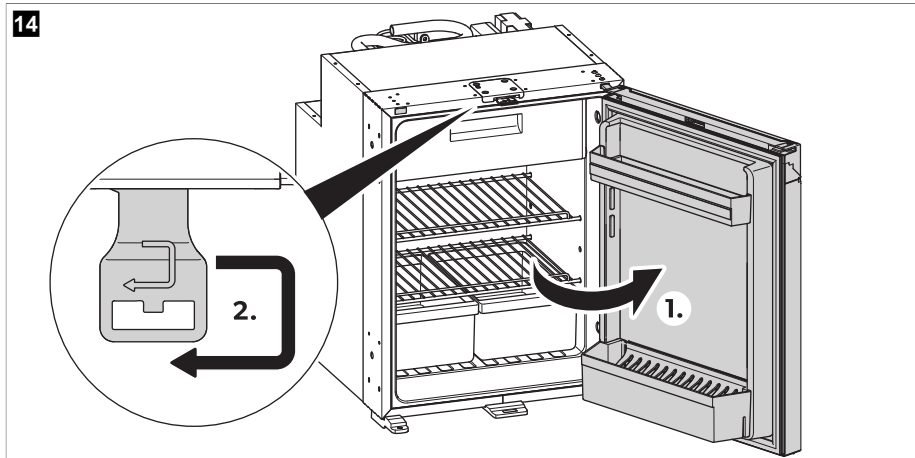
Oppbevaringsposisjonen skal ikke brukes under kjøring.



**MERK** Sett kjøleskapsdøren i oppbevaringsposisjonen hvis kjøleskapet ikke skal brukes på en god stund. Dermed unngår man muggdannelse.

> Tine av kjøleskapet (se Avrime kjøleskapet på side 263).

> Sett kjøleskapsdøren i oppbevaringsposisjon som vist.

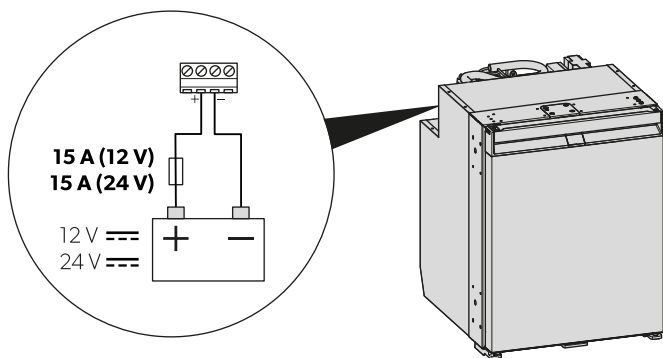



## 10 Feilretting



**MERK** For sikker drift av forbrukerenheter på 12 V i campingvognen under kjøring, må det sørges for at trekkvognen leverer tilstrekkelig spenning. På noen kjøretøy kan batteriadministrasjonssystemet automatisk slå av forbrukerenhetene for å beskytte batteriet. Informer deg om dette hos kjøretøyproduzenten.

16



| Problem   | Mulig årsak  | Løsningsforslag   |
|---|--|---|
| Kjøleskapet fungerer ikke.  | Sikringen i likestrømledningen er defekt.  | > Skift ut sikringen (  fig. 16 på side 266).  |
|   | Kjøretøysikringen har gått.  | > Skift ut kjøretøysikringen.<br>Se bruksanvisningen for kjøretøyet.  |
|   | Kjøretøybatteriet er utladet.  | > Kontroller kjøretøybatteriet og lad det opp.  |
|   | Tenningen er ikke slått på.  | > Slå på tenningen.   |
|   | Temperaturen ved kompressoren er for lav (< 0 °C).   | > Lukk eller dekk til alle utvendige luftgittere fullstendig med isolasjonsmateriale.   |
|   | Kjøleskapet slås av automatisk hvis spenningen er utilstrekkelig.<br>(Ut koblingsspenning: 10,4 V ⇒) | > Lad opp batteriet. Kjøleskapet starter opp igjen automatisk.<br>(Innkoblingsspenning: 11,7 V ⇒)   |
| Dårlig kjøleeffekt, innetemperaturen stiger. Kompressoren går kontinuerlig. | Luftingen rundt aggregatet er ikke tilstrekkelig.  | > Sjekk at luftgitteret er fritt.<br>> Flytt kjøleskapet til et annet sted.   |
|   | De innvendige veggene er tiliset.  | > Kontroller om kjøleskapdøren lukker riktig.<br>> Forsikre deg om at kjøleskapstetningen passer ordentlig og ikke er skadet.<br>> Tine av kjøleskapet (se Avrime kjøleskapet på side 263). |
|   | Temperaturen er stilt inn for høyt.  | > Still inn en lavere temperatur.   |
|   | Omgivelsestemperaturen er for høy.   | > Ta ut luftgitteret fra tid til annen, slik at den varme luften slipper raskere ut.  |
|   | Det ble plassert for mye matvarer i kjøleskapet på én gang.  | > Ta ut litt av matvarene.  |
|   | Det ble plassert for mye varme matvarer i kjøleskapet på én gang.                                    | > Ta ut de varme matvarene og la de kjøle seg ned før du setter dem inn.  |
|   | Kjøleskapet har ikke vært lenge i drift.   | > Sjekk temperaturen på nytt etter 4 h / 5 h.   |



| Problem   | Mulig årsak   | Løsningsforslag  |
|---|---|--|
|   | Kondensatoren er skitten.   | > Rengjør kondensatoren (se kapittel Rengjøring og vedlikehold på side 262). |
|   | Viften er defekt.   | > Kontakt et autorisert serviceverksted.                                     |
| Dårlig kjøleeffekt, innetemperaturen stiger.<br><br>Kompressoren brukes ikke ofte.                              | Batterikapasiteten er tom.  | > Lad batteriet.   |
| Dårlig kjøleeffekt, innetemperaturen stiger.<br><br>Denne kompressoren fungerer ikke (batteritilkobling).       | Feil på forbindelsen mellom batteri og elektronikk.   | > Opprett forbindelse.   |
|   | Hovedbryteren er defekt (hvis en slik er montert).  | > Skift ut hovedbryteren.  |
|   | Ekstra ledningssikring avbrent (hvis dette er montert).   | > Skift ut sikringen.  |
|   | Batterispenningen er for lav.   | > Lad batteriet.   |
|   | Batterikapasiteten er for lav.  | > Skift ut batteriet.  |
|   | Ledningene er løse.<br>Kontakten er dårlig (korrosjon).   | > Opprett forbindelse.   |
|   | Kabeltvernsnittet er for lite.  | > Skift ut kabelen.  |
|   | Kompressoren er defekt.   | > Kontakt et autorisert serviceverksted.                                     |
| Dårlig kjøleeffekt, innetemperaturen stiger.<br><br>Kompressoren fungerer ikke (tilkobling til vekselspenning). | Tilførselsledningen er brutt.   | > Opprett forbindelse.   |
|   | Hovedbryteren er defekt (hvis en slik er montert).  | > Skift ut hovedbryteren.  |
|   | Ekstra ledningssikring avbrent (hvis dette er montert).   | > Skift ut sikringen.  |
|   | Kompressoren er defekt.   | > Kontakt et autorisert serviceverksted.                                     |
| Uvanlige lyder.   | En komponent til kjølekretsløpet kan ikke bevege seg fritt (ligger inntil veggen).                                    | > Bøy komponenten forsiktig vekk fra hindringen.                             |
|   | Det er et fremmedlegeme inneklemt mellom kjøleenheten og veggen.  | > Fjern fremmedlegemet.  |
|   | Viftestøy.  | > Kontakt et autorisert serviceverksted.                                     |
| Døren åpnes utilsiktet ved bevegelse (f.eks. under kjøring).  | Dørlåsen er angitt til posisjon <b>A</b> (se kapittel Justerer dørlåsen på side 254).                                 | > Sett dørlåsen til posisjon <b>B</b> .                                      |
| Døren lukkes ikke riktig.   | Dørlåsen er angitt til posisjon <b>A</b> (se kapittel Justerer dørlåsen på side 254).                                 | > Sett dørlåsen til posisjon <b>B</b> .                                      |
|   | Dørlåsen er satt til posisjon <b>B</b> (se kapittel Justerer dørlåsen på side 254), men døren er ikke ordentlig låst. | > Sørg for at døren låses ordentlig når du lukker den.                       |

## Indikasjon på feil



### MERK

- > Alle feil indikeres av en LED-lampe som blinker oransje (se Kontroll- og visningselementer på side 253). Antall blink avhenger av feiltypen. Hvert blink varer i et kvart sekund. Etter en serie med blink kommer det en pause. Sekvensen for feilen gjentas hvert fjerde sekund.
- > I ECO-, PERFORMANCE- og FREEZER-modus hører du et ekstra lydsignal.

| Blinkfrekvens | Error                               | Mulig årsak  |
|---------------|-------------------------------------|--|
| 1             | Under- eller overspenning           | Forsyningsspenningen ligger utenfor det innstilte området.   |
| 2             | Vifte-overstrøm                     | Viftebelastningen på elektronikkenheten er mer enn 1 A.  |
| 3             | Motoren starter ikke                | Rotoren sitter fast.<br>Differansetrykket i kjølesystemet er for høyt.                               |
| 4             | For lavt turtall                    | Hvis kjølesystemet er overbelastet, kan ikke motorens minimumsturtall opprettholdes.                 |
| 5             | Overoppheting av elektronikkenheten | Hvis kjølesystemet er for sterkt belastet eller ved for høy temperatur, blir elektronikken for varm. |
| Vedvarende    | Temperatursensorfeil                | Temperatursensoren er defekt.  |

## 11 Garanti

Lovmessig garantitid gjelder. Hvis produktet er defekt: Ta kontakt med produsentens filial (se [dometic.com/dealer](http://dometic.com/dealer)) eller forhandler i ditt land.

Ved henvendelser vedrørende reparasjon eller garanti, må du sende med følgende dokumentasjon:

- Kopi av kvitteringen med kjøpsdato
- Årsak til reklamasjonen eller beskrivelse av feilen

Vær oppmerksom på at reparasjoner som utføres selv, eller som ikke utføres på en profesjonell måte, kan gå ut over sikkerheten og føre til at garantien blir ugyldig.

## 12 Avfallshåndtering



### PASS PÅ! Fare for skader

Isolasjonen av kjøleapparatet inneholder antennelig cyklopentan og krever en spesiell bortskaffingsprosess. Lever kjøleenheten på slutten av sin levetid til egnet resirkuleringsstasjon.



Lever emballasje til resirkulering så langt det er mulig. For å kaste produktet endelig ta kontakt med det lokale resirkuleringscenteret eller faghandler om hvordan du kan gjøre dette i overensstemmelse med gjeldende avfallshåndteringsforskrifter. Europa: Produktet kan avhendes gratis.

## 13 Tekniske spesifikasjoner

For den gjeldende EU-samsvarserklæringen for din enhet kan du se den aktuelle produksiden på [dometic.com](http://dometic.com) eller ta kontakt med produsenten direkte (se [dometic.com/dealer](http://dometic.com/dealer)).

Apparatet er i samsvar med forskriften UN ECE R10.

|  | NRX0035(E/C/S)  | NRX0050(E/C/S)            | NRX0060(E/C/S)           |
|--|---|---------------------------|--------------------------|
| Innhold                                  |   |                           |                          |
| • Kjølerom (kun NRX0035–0130[C/S])       | 27,3 L  | 39,6 L                    | 48,9 L                   |
| • Frysevarerom (kun NRX0035–0130[C/S])   | 4,4 L   | 4,4 L                     | 6,1 L                    |
| • Total kapasitet                        | 32 L  | 44 L                      | 55 L                     |
| • Total kapasitet (frysevarerom fjernet) | 34 L  | 46 L                      | 58 L                     |
| Tilkoblingsspenning                      |   | 12 / 24 V==               |                          |
| Forsyningsbatteribeskyttelse (12 V)      |   |                           |                          |
| • Utkoblingsspenning                     |   | 10,4 V                    |                          |
| • Gjeninnkoblingsspenning                |   | 11,7 V                    |                          |
| Forsyningsbatteribeskyttelse (24 V)      |   |                           |                          |
| • Utkoblingsspenning                     |   | 22,8 V                    |                          |
| • Gjeninnkoblingsspenning                |   | 24,2 V                    |                          |
| Klimaklasse                              |   | T                         |                          |
| Temperaturområde for lagring:            |   |                           |                          |
| • Kjølesystem                            |   | 0 °C ... 12 °C            |                          |
| • Frysevarerom (kun NRX0035–0130[C/S])   |   | -15 °C ... -5 °C          |                          |
| • FREEZER-modus (kun NRX0035–0130[C/S])  |   | -6 °C                     |                          |
| Tiltenkt omgivelsestemperatur ved bruk   |   | 16 °C ... 43 °C           |                          |
| Kjølemiddel                              |   | R134a                     |                          |
| Kjølemiddelmengde                        | 24 g  | 26 g                      | 30 g                     |
| CO <sub>2</sub> -ekvivalent              | 0,034 t   | 0,037 t                   | 0,043 t                  |
| GWP-verdi                                |   | 1430                      |                          |
| Støyutslipp (EN 60704)                   |   | 40 ... 45 dB(A)           |                          |
| Mål H x B x D                            | 525 x 380 x 355 mm<br>(uten kompressor og avstandholder)<br>525 mm x 380 mm x 480 mm<br>(med kompressor og avstandholder) | 525 mm x 380 mm x 510 mm  | 525 mm x 448 mm x 537 mm |
| Nettovekt                                | E: 13,5 kg<br>C, S: 16 kg   | E: 14,5 kg<br>C, S: 17 kg | E: 16 kg<br>C, S: 17 kg  |

**NB NRX35-130**

|   | <b>NRX0035(E/C/S)</b>   | <b>NRX0050(E/C/S)</b> | <b>NRX0060(E/C/S)</b> |
|---|-------------------------|-----------------------|-----------------------|
| Maksimal last                             |                         |                       |                       |
| • Per dørhulle                            | 4 kg                    | 4 kg                  | 5 kg                  |
| • Per dør                                 | E: 4 kg<br>C/S: 8 kg    | E: 4 kg<br>C/S: 8 kg  | E: 5 kg<br>C/S: 10 kg |
|   | <b>NRX0080(E/C/S)</b>   | <b>NRX0115(E/C/S)</b> | <b>NRX0130(E/C/S)</b> |
| Innhold                                   |                         |                       |                       |
| • Kjølerom (kun NRX0035 – 0130[C/S])      | 68,4 L                  | 104,5 L               | 118 L                 |
| • Kjølerom (kun NRX0035 – 0130[C/S])      | 6,6 L                   | 8,2 L                 | 8,2 L                 |
| • Total kapasitet                         | 75 L                    | 113 L                 | 126 L                 |
| • Total kapasitet (frysevare-rom fjernet) | 78 L                    | 116 L                 | 130 L                 |
| Tilkoblingsspenning                       | 12 / 24 V <sup>==</sup> |                       |                       |
| Forsyningsbatteribeskyttelse (12 V)       |                         |                       |                       |
| • Utkoblingsspenning                      | 10,4 V                  |                       |                       |
| • Gjeninnkoblingsspenning                 | 11,7 V                  |                       |                       |
| Forsyningsbatteribeskyttelse (24 V)       |                         |                       |                       |
| • Utkoblingsspenning                      | 22,8 V                  |                       |                       |
| • Gjeninnkoblingsspenning                 | 24,2 V                  |                       |                       |
| Klimaklasse                               | T                       |                       |                       |
| Temperaturområde for lagring              |                         |                       |                       |
| • Kjølesystem                             | 0 °C ... 12 °C          |                       |                       |
| • Kjølerom (kun NRX0035–0130[C/S])        | –15 °C ... –5 °C        |                       |                       |
| • FREEZER-modus (kun NRX0035–0130C/S)     | –6 °C                   |                       |                       |
| Tiltentt omgivelsestemperatur ved bruk    | 16 °C ... 43 °C         |                       |                       |
| Kjølemiddel                               | R134a                   |                       |                       |
| Kjølemiddelmengde                         | 32 g                    | 40 g                  | 40 g                  |
| CO <sub>2</sub> -ekvivalent               | 0,046 t                 | 0,057 t               | 0,057 t               |
| GWP-verdi                                 | 1430                    |                       |                       |
| Støyutslipp (EN 60704)                    | 40 ... 45 dB(A)         |                       |                       |
| Mål H x B x D                             | 625 x 475 x 537 mm      | 745 x 525 x 568 mm    | 812 x 525 x 568 mm    |

|                | NRX0080(E/C/S)          | NRX0115(E/C/S)          | NRX0130(E/C/S)          |
|----------------|-------------------------|-------------------------|-------------------------|
| Nettovekt      | C, S: 20 kg<br>E: 18 kg | C, S: 26 kg<br>E: 24 kg | C, S: 27 kg<br>E: 25 kg |
| Maksimal last  |                         |                         |                         |
| • Per dørhulle | 5 kg                    | 6 kg                    | 6 kg                    |
| • Per dør      | 10 kg                   | E: 12 kg<br>C/S: 18 kg  | E: 12 kg<br>C/S: 18 kg  |

## 14 Tekniske spesifikasjoner

For den gjeldende EU-samsvarserklæringen for din enhet kan du se den aktuelle produksiden på [dometic.com](http://dometic.com) eller ta kontakt med produsenten direkte (se [dometic.com/dealer](http://dometic.com/dealer)).

Apparatet er i samsvar med forskriften UN ECE R10.

|  | NRX0090V                |
|--|-------------------------|
| Innhold                                  |                         |
| • Kjølerom                               | 79 L                    |
| • Frysevarerom                           | 8,4 L                   |
| • Total kapasitet                        | 87 L                    |
| • Total kapasitet (frysevarerom fjernet) | 92 L                    |
| Tilkoblingsspenning                      | 12 / 24 V <sup>==</sup> |
| Forsyningsbatteribeskyttelse (12 V)      |                         |
| • Utkoblingsspenning                     | 10,4 V                  |
| • Gjeninnkoblingsspenning                | 11,7 V                  |
| Forsyningsbatteribeskyttelse (24 V)      |                         |
| • Utkoblingsspenning                     | 22,8 V                  |
| • Gjeninnkoblingsspenning                | 24,2 V                  |
| Energiforbruk                            | 0,35 kWh / 24 h         |
| Klimaklasse                              | T                       |
| Temperaturområde for lagring             |                         |
| • Kjølesystem                            | 0 °C ... 15 °C          |
| • Frysevarerom                           | -12 °C ... -5 °C        |
| • Freezer-modus                          | -5 °C ± 2 °C            |
| Tiltent omgivelsestemperatur ved bruk    | 16 °C ... 43 °C         |
| Kjølemiddel                              | R600a                   |
| Kjølemiddelmengde                        | 22 g                    |
| CO <sub>2</sub> -ekvivalent              | 0,000 t                 |
| GWP-verdi                                | 3                       |
| Støyutslipp (EN60704)                    |                         |

**NB NRX35-130**

|   | <b>NRX0090V</b>                      |
|---|--------------------------------------|
| <ul style="list-style-type: none"><li>• PERFORMANCE-modus</li><li>• QUIET-modus</li></ul> | <p>&lt; 40 dB(A)</p> <p>37 dB(A)</p> |
| Mål H x B x D   | 821 mm × 486 mm × 480 mm             |
| Nettovekt   | 22 kg                                |

## Suomi

|    |                            |     |
|----|----------------------------|-----|
| 1  | Tärkeitä huomautuksia..... | 273 |
| 2  | Symbolien selitykset.....  | 273 |
| 3  | Turvallisuusohjeet.....    | 274 |
| 4  | Toimituskokonaisuus.....   | 276 |
| 5  | Lisävarusteet.....         | 276 |
| 6  | Käyttötarkoitus.....       | 278 |
| 7  | Tekninen kuvaus.....       | 278 |
| 8  | Käyttö.....                | 281 |
| 9  | Puhdistus ja hoito.....    | 289 |
| 10 | Vianetsintä.....           | 292 |
| 11 | Takuu.....                 | 295 |
| 12 | Hävittäminen.....          | 295 |
| 13 | Tekniset tiedot.....       | 295 |
| 14 | Tekniset tiedot.....       | 298 |

## 1 Tärkeitä huomautuksia

Lue nämä ohjeet huolellisesti ja noudata kaikkia tämän tuotteen käyttöohjeissa annettuja ohjeita, määräyksiä ja varoituksia. Näin varmistat, että tuotteen asennus, käyttö ja huolto sujuu aina oikein. Näiden ohjeiden TÄYTYÄ jäädä tuotteen yhteyteen.

Käyttämällä tuotetta vahvistat lukeneesi kaikki ohjeet, määräykset ja varoitukset huolellisesti ja että ymmärrät ja hyväksyt tässä annetut ehdot. Sitoudut käyttämään tuotetta ainoastaan sen käyttötarkoituksen ja ilmoitetuissa käyttökohteissa ja noudattaen tässä tuotteen käyttöohjeessa annettuja ohjeita, määräyksiä ja varoituksia sekä voimassa olevia lakeja ja määräyksiä. Tässä annettujen ohjeiden ja varoitusten lukematta ja noudattamatta jättäminen voi johtaa omaan tai muiden loukkaantumiseen, tuotteen vaurioitumiseen tai muun ympärillä olevan omaisuuden vaurioitumiseen. Tähän tuotteen käyttöohjeeseen, ohjeisiin, määräyksiin ja varoituksiin sekä oheisdokumentteihin voidaan tehdä muutoksia ja niitä voidaan päivittää. Katso ajantasaiset tuotetiedot osoitteesta [documents.domestic.com](http://documents.domestic.com).

## 2 Symbolien selitykset

Merkkisana tunnistaa turvallisuusviestejä ja omaisuusvahinkoihin liittyviä viestejä ja osoittaa lisäksi vaaratekijän vakavuusasteen.



### VAARA!

Viittaa vaaralliseen tilanteeseen, joka johtaa kuolemaan tai vakavaan loukkaantumiseen, jos sitä ei vältetä.



### VAROITUS!

Viittaa vaaralliseen tilanteeseen, joka voi johtaa kuolemaan tai vakavaan loukkaantumiseen, jos sitä ei vältetä.



### HUOMIO!

Viittaa vaaralliseen tilanteeseen, joka voi johtaa lievään tai kohtalaiseen loukkaantumiseen, jos sitä ei vältetä.



### HUOMAUTUS!

Viittaa tilanteeseen, joka voi johtaa esinevahinkoon, jos sitä ei vältetä.



**OHJE** Tuotteen käyttöä koskevia lisätietoja.

## 3 Turvallisuusohjeet

### Perusturvallisuus



#### **VAROITUS! Sähköiskun vaara**

- > Jääkaapin saavat asentaa ja irrottaa ainoastaan tehtävään pätevät henkilöt.
- > Anna kosteisiin tiloihin ja vedelle altistuville alueille tehtävät asennustyöt ainoastaan ammattilaisen tehtäväksi.
- > Jos asennat jääkaapin katoksen tai vastaavan alle, varmista, että jääkaappi on suojassa sateelta ja roiskevedeltä.
- > Jääkaappia ei saa ottaa käyttöön, jos siinä on näkyviä vaurioita.
- > Ainoastaan pätevä henkilöstö saa korjata tätä jääkaappia. Epäasianmukaisista korjauksista saattaa aiheutua huomattavia vaaroja tai vahinkoa jääkaapille.
- > Jos tämän jääkaapin liitäntäjohto vaurioituu, valmistajan tai valtuutetun asiakaspalvelun tai vastaavasti pätevän henkilön pitää vaihtaa se vaaran välttämiseksi.
- > Kun sijoitat jääkaappia paikalleen, varmista, ettei virtajohto tartu kiinni mihinkään eikä vaurioidu.
- > Älä sijoita siirrettäviä pistorasialistoja tai siirrettäviä virtalähteitä jääkaapin taakse.
- > Älä kosketa avojohtimia koskaan paljain käsin.
- > Liitä laite pistorasiaan, jolla liitäntä on varmasti tukeva, erityisesti jos laite pitää maadoittaa.
- > Jos laitetta käytetään verkkosähköllä, varmista, että virransyötössä on vikavirtasuojakytkin (RCCB) tai maasulkukytkin (GFCI). Asennus on tehtävä soveltuvien määräysten mukaisesti, etenkin jos asennuspaikassa saattaa esiintyä kosteutta.



#### **VAROITUS! Palovaara**

- > Jäähdytyskierto sisältää pienen määrän ympäristöystävällistä kylmäainetta. Se ei vahingoita otsonikerrosta eikä edistä kasvihuoneilmiötä. Vuotava kylmäaine voi syttyä.
- > Älä käytä äläkä säilytä jääkaappia suljetussa tilassa, jossa ilma ei liiku lainkaan tai liikkuu vain minimaalisen vähän.
- > Varmista, että jääkaapin asennussyvennyksessä ei ole sähkökomponentteja eikä valonlähteitä, jotka normaalissa tai normaalista poikkeavassa käytössä synnyttävät kipinöitä tai valokaaren (esim. releet tai sulakerasiat).
- > Jääkaapin eristeet sisältävät syttävää syklopentaania, joten ne vaativat erityisen hävittämismenetelmän. Kun jääkaappi on tullut käyttöikänsä päähän, toimita se asianmukaiseen kierrätyspisteeseen.



#### **VAROITUS! Räjähdysvaara**

Älä säilytä jääkaapissa räjähdysalttiita esineitä kuten aerosolipurkkeja, joissa on ponneainetta.



#### **VAROITUS! Terveysvaara**

- > Tätä jääkaappia voivat käyttää valvonnan alaisuudessa myös vähintään 8-vuotiaat lapset samoin kuin henkilöt, joiden fyysiset, aistinvaraiset tai henkiset kyvyt ovat rajoittuneet tai joilta puuttuu laitteen käytön vaatima kokemus tai tietämys, mikäli edellä mainittuja henkilöitä on opastettu käyttämään jääkaappia turvallisesti ja mikäli henkilöt ymmärtävät laitteen käyttöön liittyvät riskit.
- > 3–8-vuotiaat lapset saavat täyttää ja tyhjentää jääkaappia.
- > Lapset eivät saa ilman valvontaa puhdistaa laitetta eivätkä ryhtyä käyttäjälle sallittuihin kunnossapitotöihin.
- > Lapsia tulee valvoa sen varmistamiseksi, etteivät he leiki jääkaapilla.



#### **VAROITUS! Lasten loukkuun jäämisen vaara**

- > Varmista, että hyllyt on asennettu ja varmistettu niin, etteivät lapset voi lukita itseään jääkaapin sisälle.



- > Ennen kuin hävität vanhan jääkaapin:
  - Irrota laatikko.
  - Jätä hyllyt jääkaappiin, jotta lapset eivät voi kiivetä kaapin sisälle.
- > Nosta ovet pois paikaltaan.



### **HUOMIO! Terveysvaara**

- > Jääkaappi on kiinnitettävä asennusohjeen mukaisesti, jotta jääkaapin epävakaudesta aiheutuva vaara voidaan välttää.
- > Pidä jääkaapissa ja sen syvennyksessä tai upotuskalusteessa olevat tuuletusaukot vapaina esteistä.
- > Älä käytä muita kuin valmistajan suosittelemia välineitä tai muita keinoja sulatuksen nopeuttamiseen.
- > Älä missään tapauksessa avaa tai vaurioita jäähdytyskiertoa.
- > Älä käytä jääkaapin sisällä sähkölaitteita, ellei valmistaja suosittele näitä sähkölaitteita tähän tarkoitukseen.



### **HUOMIO! Loukkaantumiswaara**

- > Älä käytä tai säilytä syttyviä materiaaleja tässä jääkaapissa tai sen lähellä.
- > Älä aseta mitään jääkaapin päälle tai sitä vasten.
- > Älä tee tähän jääkaappiin mitään muutoksia.



### **HUOMAUTUS! Vahingonvaara**

- > Valitse tasavirtakäyttö ainoastaan, kun ajoneuvon moottori on käynnissä ja tuottaa tarpeeksi jännitettä tai kun käytät akkuvahtia.
- > Huolehdi siitä, että mahdollinen kondenssiveden tyhjennysaukko pysyy aina puhtaana.
- > Jos jääkaapissa on tuuletusritilät, älä puhdista ajoneuvoa niiden lähettyviltä korkeapainepesurilla.
- > Jääkaappia ei saa altistaa sateelle.
- > Koskaan irrota pistoketta pistorasiasta johdosta vetämällä.

## **Kylmälaitteen käyttöturvallisuus**



### **VAARA! Sähköiskun vaara**

Huolehdi ennen jääkaapin käyttöönottoa siitä, että johto ja pistoke ovat kuivia.



### **HUOMIO! Terveysvaara**

- > Varmista, että panet jääkaappiin vain esineitä tai tuotteita, joita saa säilyttää valitussa lämpötilassa.
- > Puhdista säännöllisesti pinnat, jotka voivat joutua kosketuksiin elintarvikkeiden ja suojaamattomien viemärijärjestelmän osien kanssa.
- > Säilytä raaka liha ja kala jääkaapissa sopivissa säilytysastioissa, niin että ne eivät ole kosketuksissa muiden elintarvikkeiden kanssa eikä niistä voi valua mitään muihin elintarvikkeisiin.
- > Oven avaaminen pitkiksi ajoiksi voi merkittävästi nostaa lämpötilaa jääkaapin lokeroissa. Jos jääkaappi jätetään tyhjäksi pitkäksi ajaksi:
  - Kytke jääkaappi pois päältä.
  - Sulata jääkaappi.
  - Puhdista ja kuivaa jääkaappi.
  - Jätä ovi auki, jotta jääkaapin sisälle ei pääse muodostumaan homeetta. Aseta jääkaapin ja pakastimen ovi talviasentoon, jos se on saatavana.



### **HUOMIO! Loukkaantumiswaara**

- > Älä koske saraan.

- > Sulje ja salpaa jääkaapin ovi ennen ajon alkua.
- > Jääkaapin taustapuolella oleva kylmäkoneisto kuumenee käytössä voimakkaasti. Jos jääkaapissa on tuuletusrillät, suojaudu kosketukselta lämpimien osien kanssa, kun irrotat tuuletusrillät.
- > Laitteen ovi tai pakastimen ovi saattaa väärin käytettynä irrota kokonaan laitteesta. Paina ovet kiinni niin, että naksahdusääni on selvästi kuultavissa ylhäältä ja alhaalta.



### HUOMAUTUS! Vahingonvaara

- > Älä nojaa avointa jääkaapin ovea vasten.
- > Sijoita painavat esineet kuten pullo ja tölkit aina jääkaapin oveen, vihanneskaukaloon tai alimmalle hyllylle.
- > Jos jääkaapissa on kaksiosainen ovi eikä ovea ei ole lukittu oikein vastakkaiselta puolelta, työnnä ovea kyseisen puolen ylä- ja alaosasta, kunnes ovi lukittuu paikalleen.
- > **Ylikuumenemisvaara!** Huolehdi aina siitä, käytössä syntyvä lämpö saadaan johdettua riittävän hyvin pois. Huolehdi siitä, että jääkaappi on riittävän etäällä seinistä tai esineistä, jotta ilma pääsee kiertämään.
- > Älä täytä sisätilaa jäällä tai nesteellä.
- > Suojaa jääkaappi ja johto kuumuudelta ja kosteudelta.
- > Koskaan irrota pistoketta pistorasiasta johdosta vetämällä.



### OHJE

- > Ota yhteyttä ajoneuvosi valmistajaan, jos ajoneuvosi akkuohjausjärjestelmä kytkee jääkaapin pois päältä akun suojaamiseksi.
- > Valitse keskimääräinen lämpötila-asetus, jos ympäristön lämpötila on 15 °C ... 25 °C.
- > Jos ovea ei ole lukittu oikein vastakkaiselta puolelta, työnnä ovea varovasti kyseisen puolen ylä- ja alaosasta, kunnes ovi lukittuu paikalleen.
- > Huomaa seuraava ruokahävikin välttämiseksi:
  - Pidä lämpötilan heilahtelu mahdollisimman pienenä. Avaa pakastin vain tarvittaessa ja vain niin pitkäksi aikaa kuin on tarpeen. Säilytä elintarvikkeet niin, että ilma pääsee kiertämään hyvin.
  - Varmista, että panet jääkaappiin vain esineitä tai tuotteita, joita saa säilyttää valitussa lämpötilassa.
  - Sijoittele erityyppiset elintarvikkeet kuvien esittämällä tavalla.
  - Jos lämpötilaa voidaan säätää: Säädä lämpötila elintarvikkeiden määrää ja tyyppiä vastaavaksi.
  - Elintarvikkeeseen voi helposti tarttua hajua tai makua tai siitä voi irrota näitä. Säilytä elintarvikkeet aina peitettynä tai suljetuissa astioissa/pulloissa.

## 4 Toimituskokonaisuus

| Määrä | Kuvaus                         |
|-------|--------------------------------|
| 1     | Kompressorijääkaappi           |
| 1     | Tyhjennyskulma                 |
| 1     | Pikakäyttöohje                 |
| 1     | Käyttöohje (vain verkkoversio) |
| 1     | Asennusohje                    |

## 5 Lisävarusteet

Saatavissa lisävarusteena (ei sisälly toimituskokonaisuuteen):

| Kuvaus   | Tuotenro   |
|--|--|
| Liukusarana  | 9620012939   |
| Kiinnityskehys, mukaan lukien alakehys <ul style="list-style-type: none"> <li data-bbox="90 245 275 277">• NRX0035, NRX0050</li> <li data-bbox="90 301 194 333">• NRX0060</li> <li data-bbox="90 357 194 389">• NRX0080</li> <li data-bbox="90 413 189 445">• NRX0115</li> <li data-bbox="90 469 194 501">• NRX0130</li> </ul>         | 9620012877<br>9620012881<br>9620012882<br>9620012878<br>9620012876 |
| Kiinnityskehys, mukaan lukien alakehys (musta) <ul style="list-style-type: none"> <li data-bbox="90 552 275 584">• NRX0035, NRX0050</li> <li data-bbox="90 608 194 639">• NRX0060</li> <li data-bbox="90 663 194 695">• NRX0080</li> <li data-bbox="90 719 189 751">• NRX0115</li> <li data-bbox="90 775 194 807">• NRX0130</li> </ul> | 9620012874<br>9620012875<br>9620012880<br>9620012879<br>9620012883 |
| Korvaava hylly poistetun pakastelokeron tilalle <ul style="list-style-type: none"> <li data-bbox="90 858 275 890">• NRX0035, NRX0050</li> <li data-bbox="90 914 194 946">• NRX0060</li> <li data-bbox="90 970 194 1002">• NRX0080</li> <li data-bbox="90 1026 267 1058">• NRX0115, NRX0130</li> </ul>                                  | 9620012933<br>9620012938<br>9620012935<br>9620012932               |
| Pakastelokero <ul style="list-style-type: none"> <li data-bbox="90 1107 275 1139">• NRX0035, NRX0050</li> <li data-bbox="90 1163 194 1195">• NRX0060</li> <li data-bbox="90 1219 194 1251">• NRX0080</li> <li data-bbox="90 1275 267 1307">• NRX0115, NRX0130</li> </ul>   | 9620012931<br>9620012936<br>9620012934<br>9620012937               |
| AC/DC-sovitin  | 9620013449 (EU)<br>9620013450 (UK)                                 |

## 6 Käyttötarkoitus

Jääkaappi on tarkoitettu seuraaviin:

- Asennus matkailuvaunuihin, asuntoautoihin, veneisiin ja kuorma-autoihin
- Elintarvikkeiden jäähdyttäminen ja kylmäsäilytys
- **Vain NRX0035–0130(C/S):** Pakasteiden säilytys
- Sisäkäyttö

Tätä jääkaappia ei ole tarkoitettu kaupalliseen, jakelu- eikä kotitalouskäyttöön.

Jääkaappi **ei** sovellu:

- lääkkeiden säilyttämiseen
- syövyttävien aineiden tai liuottimia sisältävien aineiden säilyttämiseen
- elintarvikkeiden nopeaan pakastamiseen
- Ulkokäyttö

Kun laitetta käytetään veneissä, se on asennettava oleskelutiloihin eikä avokannelle.

Pakastelokerot sopivat pakastettujen elintarvikkeiden säilyttämiseen, jäätelön säilyttämiseen ja valmistamiseen sekä jääkuutioiden valmistamiseen. Laitte ei sovellu aiemmin sulatettujen elintarvikkeiden pakastamiseen.

Jääkaappi on tarkoitettu asennettavaksi kaapistoon tai asennussyvennykseen.

Ympäristön lämpötila 16 °C ... 43 °C välillä ja 90 % :n enimmäiskosteus takaavat parhaan jäähdytystehon.

Tämä tuote soveltuu ainoastaan näissä ohjeissa ilmoitettuun käyttötarkoitukseen ja käyttökohteeseen.

Näistä ohjeista saat tuotteen asianmukaiseen asennukseen ja/tai käyttöön tarvittavat tiedot. Väärin tehdyn asennuksen ja/tai väärän käyttötavan tai vääränlaisen huollon seurauksena laite ei toimi tyydyttävästi, ja se saattaa mennä epäkuntoon.

Valmistaja ei ota vastuuta tapaturmista tai tuotevaurioista, jotka johtuvat seuraavista:

- Väärin tehty asennus tai liitännä, ylijännite mukaan lukien
- Väärin tehty huolto tai muiden kuin valmistajalta saatavien alkuperäisten varaosien käyttö
- Tuotteeseen ilman valmistajan nimenomaista lupaa tehdyt muutokset
- Käyttö muuhun kuin tässä ohjeessa ilmoitettuun tarkoitukseen

Dometic pidättää itsellään oikeuden muutoksiin tuotteen ulkonäössä ja spesifikaatioissa.

## 7 Tekninen kuvaus

Jääkaappi on kompressorijääkaappi.

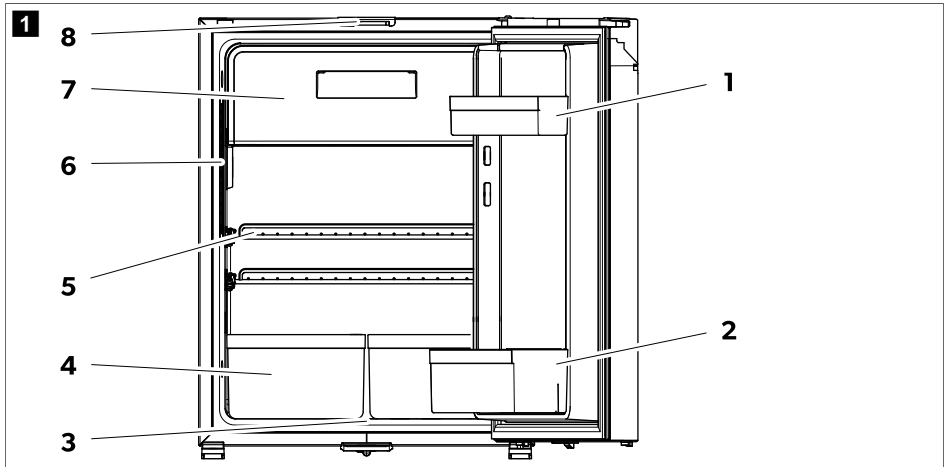
Jääkaappi on tarkoitettu käytettäväksi eri energianmuodoilla. Sitä voidaan käyttää niin vaihto- kuin tasavirralla.

NRX0035–0130(C/S): Mallissa on tehdasasennettu pakastelokero, jonka voi poistaa ja asentaa takaisin paikalleen.

Jääkaapin ovesa on lukitusmekanismi, joka toimii myös kuljetustukena.

Kaikki jäähdytyslaitteessa käytetyt materiaalit ovat elintarvikkeille harmittomia.

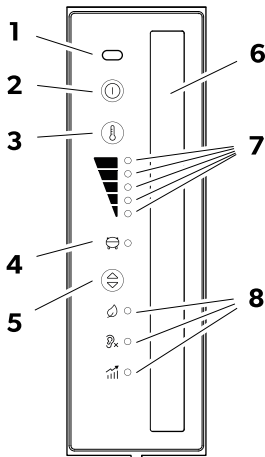
## Laitekuvaus



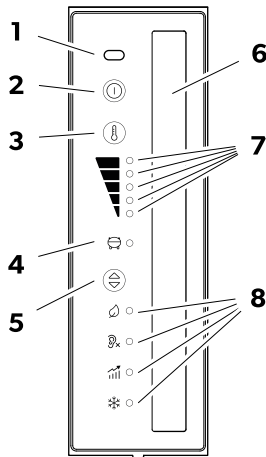
| Nro | Selitys   |
|-----|---|
| 1   | Oviteline (vain NRX0035-0130[C/S], NRX0080-0130[E]) |
| 2   | Pullohylly  |
| 3   | Kondensaatin poistojohdin                           |
| 4   | Vihanneslaatikko (vain NRX0035-0130[C/S])           |
| 5   | Hyllytaso   |
| 6   | Näytöllä varustettu ohjauspaneeli                   |
| 7   | Pakastelokero (vain NRX0035 - 0130[C/S])            |
| 8   | Tuuletuksen ovisalpa                                |

## Käyttö- ja näyttölaitteet

### NRX0035 – 0130 (E)



### NRX0035 – 0130 (C/S)



| Nro | Selitys   |
|-----|---|
| 1   | Oven avauksen infrapuna-anturi  |
| 2   | ⏻ Virtapainike  |
| 3   | 🌡 Jäähdytystason asetuspainike  |
| 4   | Kompressorin ja virheilmaisimen LED   |
| 5   | ⊞ Käyttötilapainike   |
| 6   | Sisävalaistus   |
| 7   | Jäähdytystason ilmaisimen LEDit<br> |
| 8   | Käyttötilan ilmaisimen LEDit  |





### Kompressorin ja virheilmaisimen LED

Kompressorin ja virheilmaisimen LED ilmaisee kompressorin käyttötilan tai virheen:

| Väri              | Kuvaus   |
|-------------------|--|
| valkoinen         | Kompressor on päällä                             |
| oranssi           | Kompressor on pois päältä                        |
| Oranssi (vilkkuu) | Virhe (katso kappale Virheen näyttö sivulla 295) |

## Käyttötilan ilmaisimen LEDit

Käyttötilan ilmaisimen LEDit ilmaisevat seuraavat asetusvaihtoehdot:

| Symboli   | Kuvaus  |
|---|---|
|  | ECO-tila:<br>Käyttö pienemmällä energiankulutuksella.<br>Jäähdytystaso 1 – 3  |
|  | QUIET-tila:<br>Käyttö pienemmällä melutasolla.<br>Jäähdytystaso 1 – 4   |
|  | PERFORMANCE-tila:<br>Jäähdytystaso 1 – 5  |
|  | FREEZER-tila (vain NRX0035–0130[C/S]):<br>Käyttö pakastelokeron ollessa poistettuna. Jääkaapin koko sisätilan jäähdytys –6 °C :n lämpötilaan. |

## 8 Käyttö

### 8.1 Ennen ensimmäistä käyttökertaa

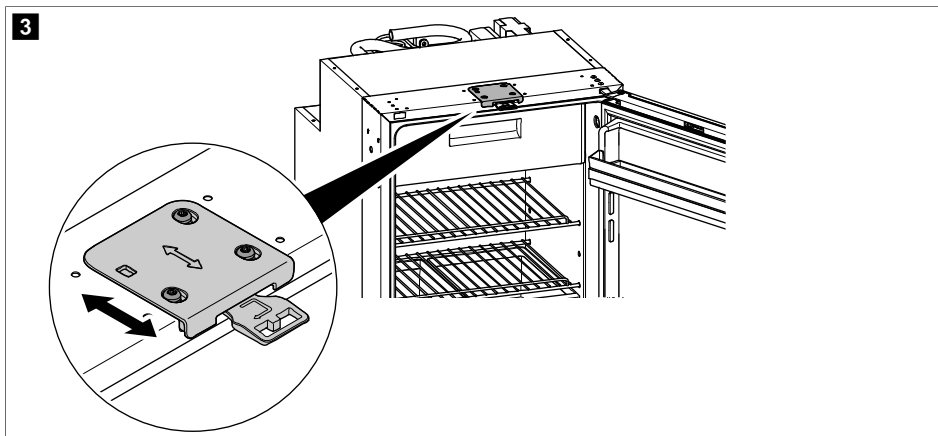


#### OHJE

- > Älä säilytä jääkaapissa tuotteita ensimmäisten 4 tunnin aikana käynnistyksen jälkeen.
- > Kun jääkaappi otetaan ensimmäistä kertaa käyttöön, voi muodostua hajua, joka haihtuu muutaman tunnin kuluttua. Tuuleta asuintila hyvin.
- > Seuraavat tekijät voivat vaikuttaa jäähdytystehoon:
  - ympäristön lämpötila (esimerkiksi jos ajoneuvo on suorassa auringonpaisteessa),
  - jäähdytettävien elintarvikkeiden määrä,
  - oven avaamistiheys.
- > Puhdista jääkaapin sisäpuoli hygieniasyistä (katso kohta Puhdistus ja hoito sivulla 289).
- > Pysäköi ajoneuvo vaakasuoraan, etenkin jääkaapin käyttöönoton ja täytön ajaksi ennen matkaan lähtöä.

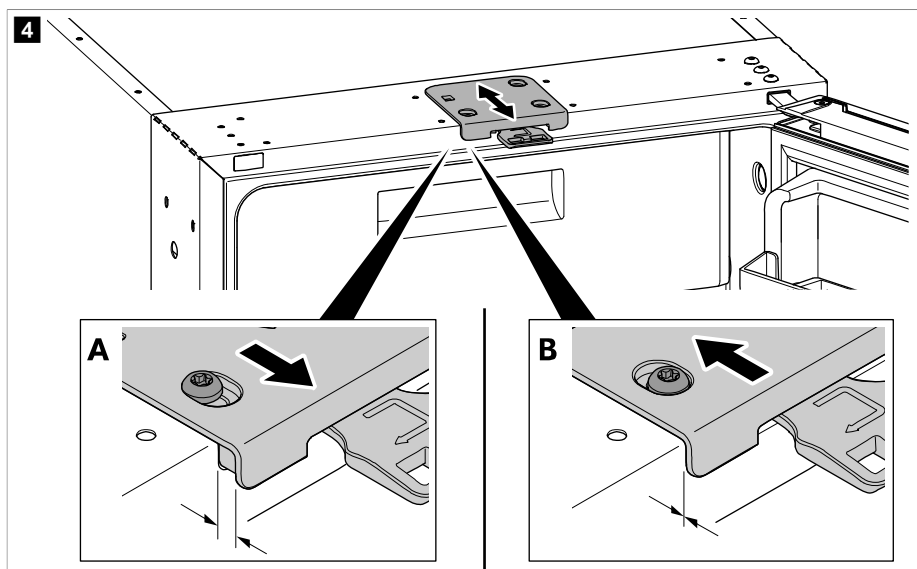
#### 8.1.1 Ovisalvan säätäminen

Oven tiiveyttä voidaan muuttaa jääkaapin yläosassa olevaa ovisalvaa säätämällä.



**i** **OHJE** Tarkista, onko säädettävä ovisalpa asennettu. Tilaa säädettävä ovisalpa tarvittaessa ([dometic.com](http://dometic.com)) ja vaihda kiinteä ovisalpa säädettävään ovisalpaan.

> Ovisalpa asennetaan tehtaalla asentoon **A**. Siirrä ovisalpa asentoon **B**.



**i** **OHJE** Jos ovisalpa on asennossa **B**, varmista, että ovi lokahtaa suljettaessa (katso kappale Jääkaapin oven sulkeminen ja lukitseminen sivulla 284).



## 8.2 Elintarvikkeiden säilyttämistä koskevia tietoja



### HUOMIO! Terveysvaara

Jos jääkaappi on pitkään alltiina alle 10 °C :n ympäristönlämpötilalle, pakastelokeron lämpötilan säätöä ei voida enää taata. Tämä voi saada pakastelokeron lämpötilan nousemaan ja siellä olevat ruoat sulamaan.

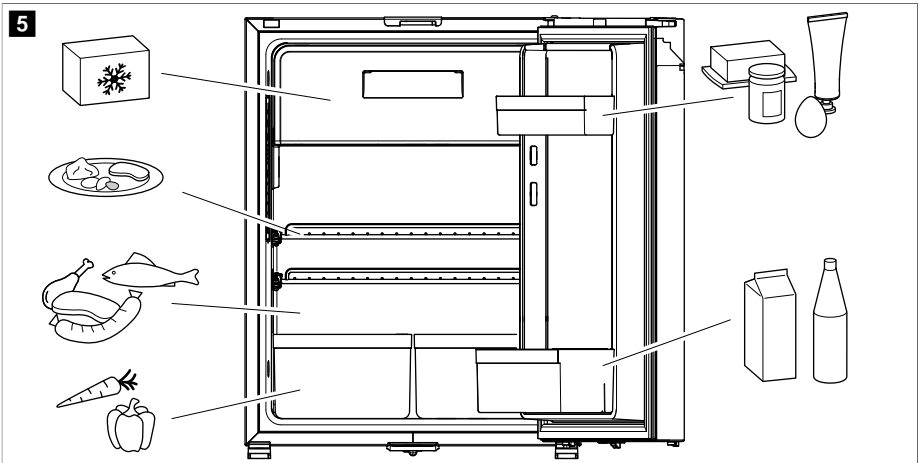


### HUOMAUTUS! Vahingonvaara

- > Huomioi jääkaappia täyttäessäsi ovihyllyn ja oven enimmäiskuormitus (katso Tekniset tiedot sivulla 295).
- > Älä säilytä hiilihappopitoisia juomia pakastelokerossa.

Huomaa seuraava ruokahävikin välttämiseksi:

- Pidä lämpötilan heilahtelu mahdollisimman pienenä. Avaa jääkaappipakastin vain silloin ja vain niin pitkäksi aikaa kuin on tarpeen. Säilytä elintarvikkeet niin, että ilma pääsee kiertämään hyvin.
  - Säädä lämpötila elintarvikkeiden määrää ja tyyppiä vastaavaksi.
  - Sijoittele erityyppiset elintarvikkeet kuvien esittämällä tavalla.
  - Elintarvikkeeseen voi helposti tarttua hajua tai makua tai siitä voi irrota näitä. Säilytä elintarvikkeet aina peitetyinä tai suljetuissa astioissa/pulloissa.
- > Säilytä elintarvikkeet kuvassa esitetyllä tavalla.



## 8.3 Energian säästäminen

- Avaa jääkaappipakastin vain silloin ja vain niin pitkäksi aikaa kuin on tarpeen.
- Anna lämpimien elintarvikkeiden jäähtyä, ennen kuin panet niitä laitteeseen kylmäsäilyttäväksi.
- Sulata jääkaappipakastin heti, kun siihen on muodostunut jääkerros.
- Vältä tarpeettoman matalaa sisälämpötilaa.
- Ihanteellisen energiankulutuksen saavuttamiseksi sijoita hyllyt ja laatikot niin kuin ne olivat toimituksen yhteydessä.
- Varmista säännöllisin määräajoin, että oven tiiviste istuu kunnolla.
- Puhdista lauhdutin säännöllisin väliajoin pölystä ja liasta.

## 8.4 Jääkaapin oven käyttäminen



### **HUOMIO! Loukkaantumisvaara**

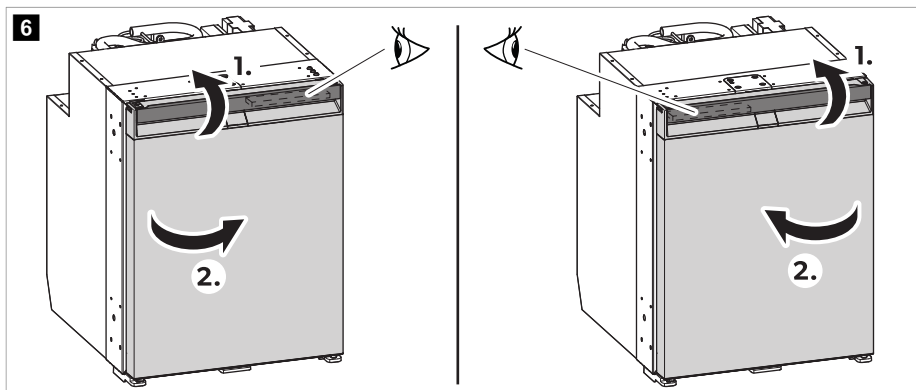
Jääkaapin ovi ja pakastelokeron ovi saattavat väärin käytettyinä irrota laitteesta.

### 8.4.1 Jääkaapin oven avaaminen



**OHJE** Vedä kahvasta oven kätisyyden vastakkaiselta puolelta. Huomaa liukusäätimen asento. Tutustu siihen liittyvään asennusohjeeseen.

> Avaa jääkaapin ovi kuvassa esitetyllä tavalla.



### 8.4.2 Jääkaapin oven sulkeminen ja lukitseminen



### **HUOMIO! Loukkaantumisvaara**

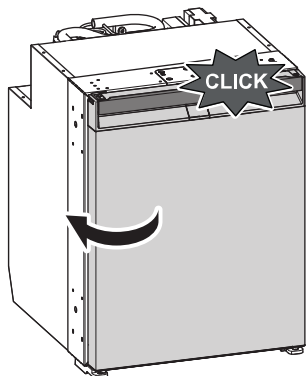
Jos ovea ei ole lukittu oikein, työnnä ovea varovasti oven ylä- ja alaosasta, kunnes ovi lukittuu paikalleen.



**OHJE** Jääkaapin ovessa on lukitusmekanismi, joka toimii myös kuljetustukena.

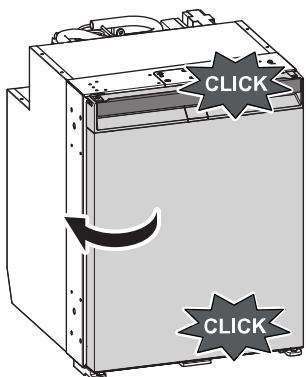
- > NRX0035–0130(E): Paina ovi kiinni siten, että kuulet selvästi naksahdusäänen ylhäältä.

## 7 NRX0035 – 0130 (E)



- > NRX0035–0130(C/S): Paina ovi kiinni siten, että kuulet selvästi naksahdusäänen ylhäältä ja alhaalta.

## 8 NRX0035 – 0130 (C/S)





- ✓ Ovi on nyt kiinni ja lukittu.

### 8.5 Päälle ja pois kytkeminen



**OHJE** Kytke jääkaappi aina pois päältä, jos sitä ei tulla käyttämään pitkään aikaan.

- > Kytke laite päälle pitämällä painiketta  painettuna kerran vähintään 2 s ajan.
- ✓ Jääkaappi kytkeytyy päälle viimeksi valitulla jäähdytystasolla ja käyttötilalla.
- > Kytke laite pois päältä pitämällä painiketta  painettuna vähintään 2 s ajan.

## 8.6 Käyttötilojen asettaminen



**OHJE** Kun käytetään ECO-, PERFORMANCE- tai FREEZER-tilaa, järjestelmä pysyy tässä tilassa, kunnes tehdään uusia muutoksia.

- > Voit asettaa käyttötilan painamalla painiketta  useita kertoja, kunnes kyseisen käyttötilan ilmaisimen LED syttyy. Jääkaapissa on seuraavat käyttötilat:

### ECO-tilan käyttäminen

ECO-tilan ollessa aktivoituna jääkaappi toimii pienemmällä energiankulutuksella jäähdytystasoilla 1 – 3.

- ✓ ECO-tilan ilmaisimen LED  ja jäähdytystason ilmaisimen valitun jäähdytystason LED palavat.


### QUIET-tilan käyttäminen

QUIET-tilan ollessa aktivoituna jääkaappi toimii pienemmällä melutasolla jäähdytystasoilla 1 – 4.



#### OHJE

- > QUIET-tila ei ole käytettävissä, jos jääkaappi käy FREEZER-tilassa.
- > QUIET-tilan ollessa käytössä jääkaappi pysyy tässä tilassa 8 h ajan ja palaa sitten edelliseen valittuun tilaan (ECO- tai PERFORMANCE-tila).

- ✓ QUIET-tilan ilmaisimen LED  ja jäähdytystason ilmaisimen valitun jäähdytystason LED palavat.

### PERFORMANCE-tilan käyttäminen

PERFORMANCE-tilan ollessa aktivoituna jääkaappi käy vakiotilassa jäähdytystasoilla 1 – 5.

- ✓ PERFORMANCE-tilan ilmaisimen LED  ja jäähdytystason ilmaisimen valitun jäähdytystason LED palavat.

### FREEZER-tilan käyttäminen


FREEZER-tilan ollessa aktivoituna jääkaapin koko sisätila jäähdytetään  $-6\text{ °C}$ :n lämpötilaan.



**OHJE** Poista pakastinlokero, jotta voit käyttää FREEZER-tilaa.

- ✓ FREEZER-tilan ilmaisimen LED  ja jäähdytystason ilmaisimen kaikki LED-valot palavat yhtäjaksoisesti.

## 8.7 Jäähdytystehon säätäminen

- > Säädä jäähdytysteho painamalla  painiketta niin monta kertaa, että haluttu jäähdytysteho on saavutettu.

## 8.8 Hyllyjen sijoittelun muuttaminen



#### **VAROITUS! Lasten loukkuun jäämisen vaara**

NRX0060–0130: Kaikki hyllyt on kiinnitetty paikalleen, jotta lapset eivät voi kiivetä jääkaappiin.

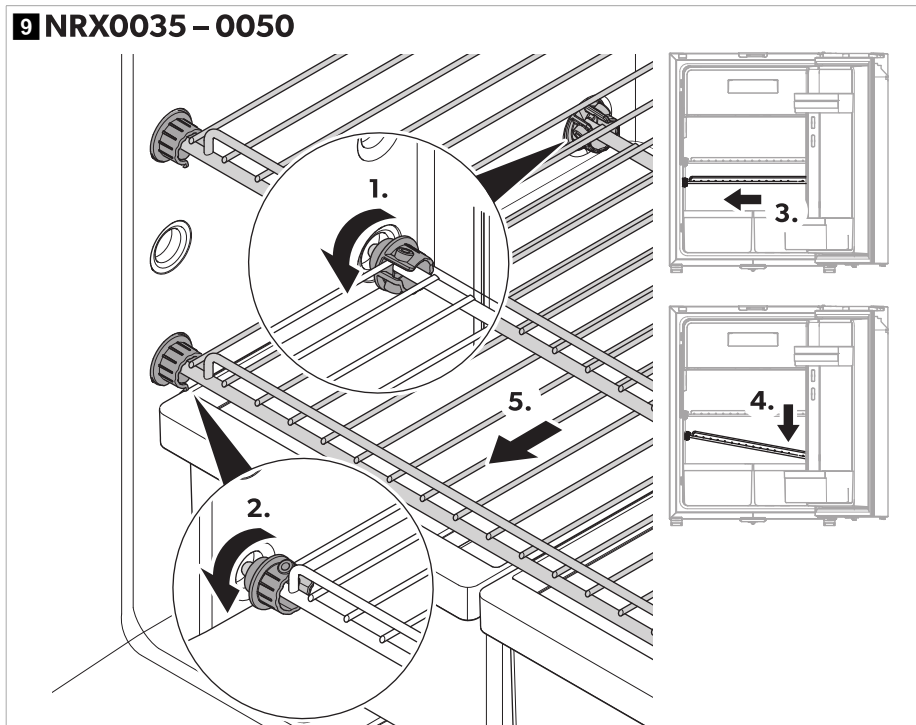
- > Poista hyllyt paikaltaan vain puhdistusta varten.
- > Asenna ja lukitse hyllyt takaisin paikalleen.



**OHJE** Poista pakastelokero ennen hyllyjen sijoittelun muuttamista, jotta takahyllyn nupit ovat paremmin ulottuvilla.

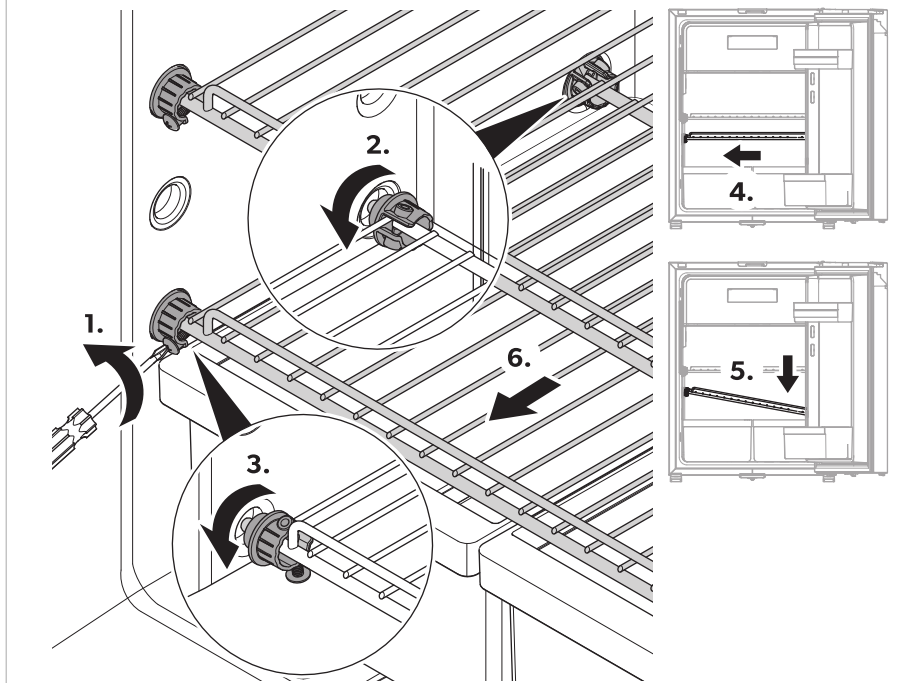
> **NRX0035-0050:** Muuta hyllyjen sijoittelua kuvassa esitetyllä tavalla.

## 9 NRX0035 – 0050



- > **NRX0035-0050:** Muuta hyllyjen sijoittelua kuvassa esitetyllä tavalla.

## 10 NRX0060 – 0130



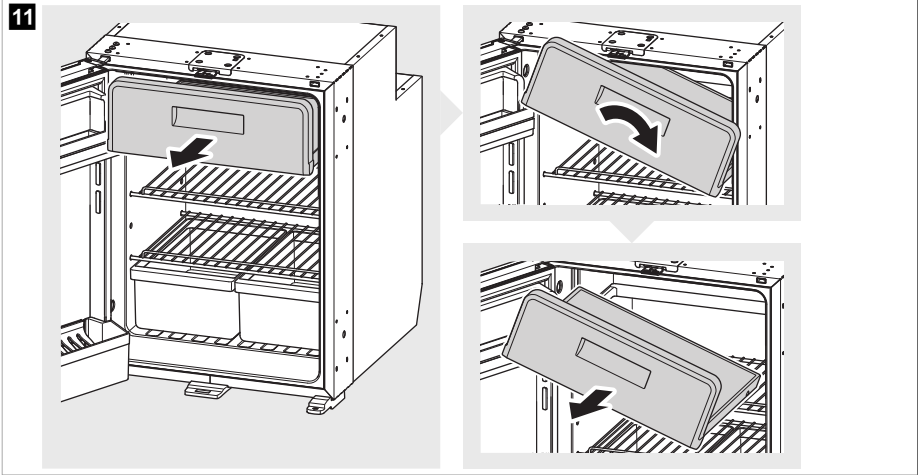
### 8.9 Pakastelokeron poistaminen



#### **HUOMAUTUS! Vahingonvaara**

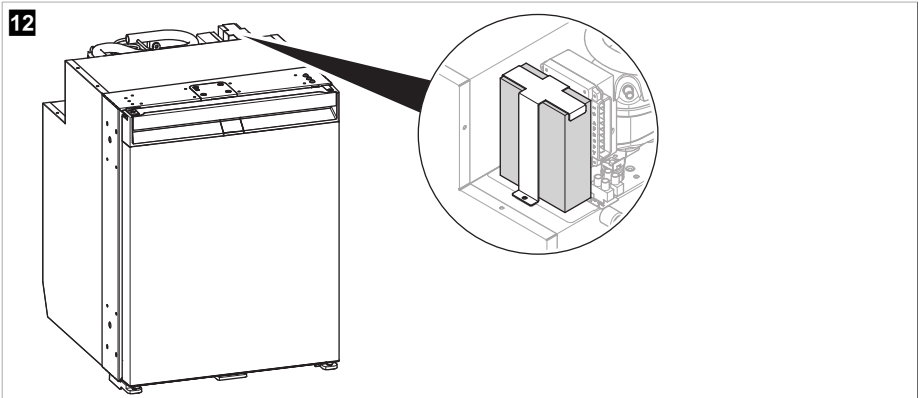
- > Sulje pakastelokeron ovi pakastelokeron poistamiseksi.
- > Pidä kiinni pakastelokeron pohjasta. Älä vedä pakastelokeron ovesta.
- > Säilytä pakastelokeroa kuivassa ja turvallisessa paikassa.

- > Poista pakastelokero kuvassa esitetyllä tavalla.



## 8.10 AC/DC-sovittimen asennus

- > Asenna AC/DC-sovitin (lisävaruste) kuvassa esitetyllä tavalla.



## 9 Puhdistus ja hoito



### **VAROITUS! Sähköiskun vaara**

Kytke jääkaappipakastimen virta pois aina ennen puhdistusta ja huoltoa.



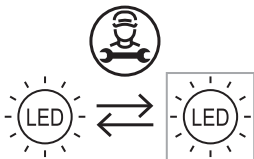
### **HUOMAUTUS! Vahingonvaara**

- > Älä puhdista syövyttävillä puhdistusaineilla äläkä kovilla esineillä.
- > Älä missään tapauksessa poista jäätä tai irrota kiinni jäätyneitä esineitä kovilla tai terävillä välineillä.
- > Varo, ettei vesipisaroita putoa tiivistesiin. Se voi vaurioittaa elektroniikkaa.



### **HUOMAUTUS! Vahingonvaara**

Vaaran välttämiseksi valonlähteen voi vaihtaa vain valmistaja, asiakaspalvelu tai henkilö, jolla on vastaava pätevyys.



- > Puhdista jääkaappipakastin sisältä ja ulkoa kostealla liinalla säännöllisin väliajoin ja aina, kun laite likaantuu. Pyyhi jääkaappipakastin puhdistamisen jälkeen liinalla kuivaksi.
- > Puhdista tiivistyneen veden poistoliitântä säännöllisesti.  
Puhdista tiivistyneen veden poistoliitântä tarvittaessa. Jos liitântä on tukkeutunut, sulamisvesi kerääntyy jääkaappipakastimen pohjalle.
- > Puhdista lauhdutin pölystä ja liasta kostealla liinalla säännöllisin väliajoin.

### **Jäähdytyskierto**

Jäähdytyskiertoa ei tarvitse huoltaa.

### **Jääkaapin sulattaminen**



### **HUOMAUTUS! Vahingonvaara**

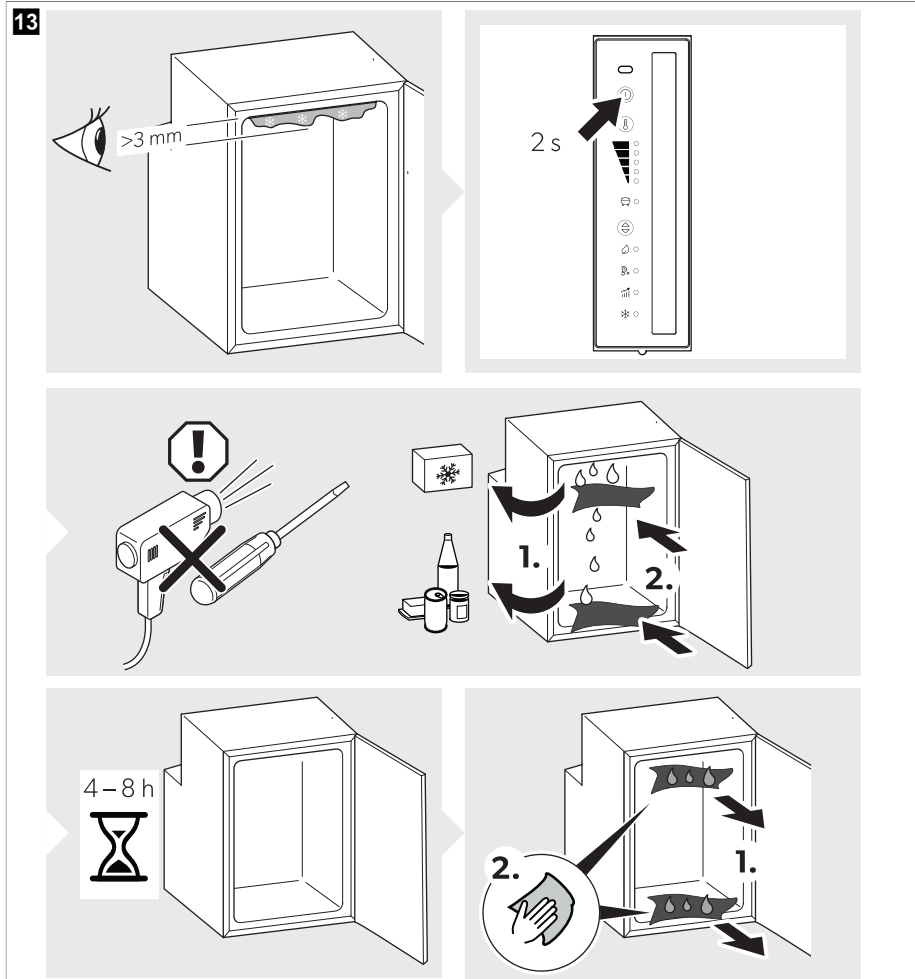
Älä yritä nopeuttaa sulamisprosessissa mekaanisten tai muunlaisten apuvälineiden avulla.



**OHJE** Ajan mittaan jääkaapin takaseinään muodostuu huurretta. Kun huurrekerroksen paksuus on noin 3 mm, jääkaappi on syytä sulattaa.



> Sulata jääkaappi kuvassa esitetyllä tavalla.



### Jääkaapin oven asettaminen varastointiasentoon



#### **HUOMIO! Loukkaantumisvaara**

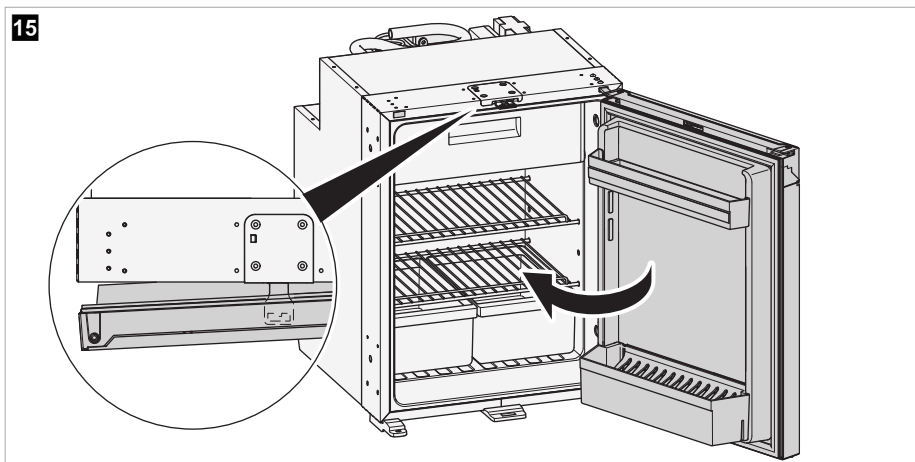
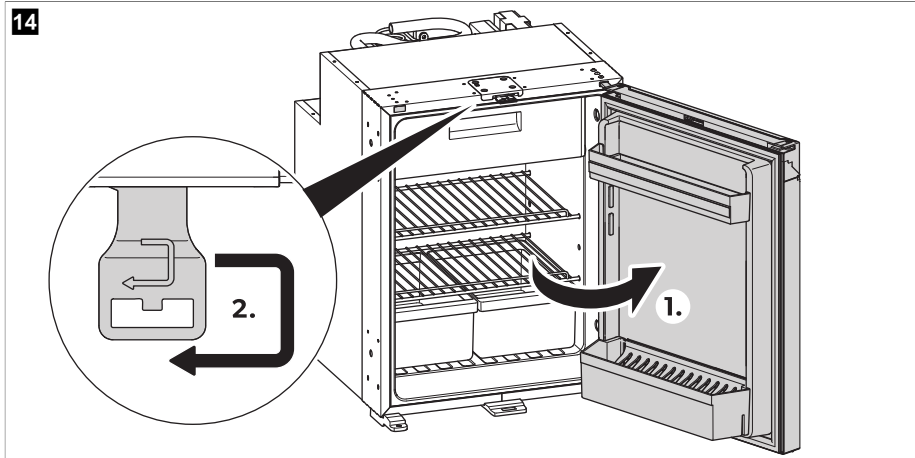
Varastointiasentoa ei saa käyttää ajon aikana.



**OHJE** Aseta jääkaapin ovi varastointiasentoon, jos tarkoituksenas ei ole käyttää laitetta pitkään aikaan. Näin vältetään homeen muodostuminen.

> Sulata jääkaappi (katso jääkaapin sulattaminen sivulla 290).

- > Aseta jääkaapin ovi varastointiasentoon kuvassa esitetyllä tavalla.

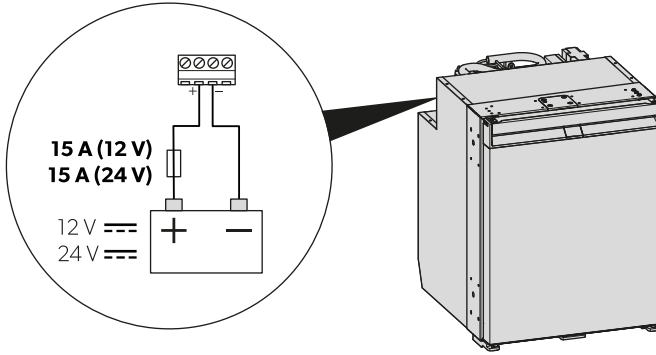



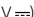
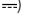
## 10 Vianetsintä



**OHJE** Varmista, että vetoauton syöttöjännite asuntovaunun 12 V :n sähkölaitteille on ajon aikana riittävä. Siten sähkölaitteita voi käyttää turvallisesti. Eräissä ajoneuvoissa akun akunhallintajärjestelmä saattaa katkaista automaattisesti virran sähkölaitteista ajoneuvon akun suojaamiseksi. Pyydä tietoja ajoneuvosi valmistajalta.

16



| Häiriö   | Mahdollinen syy  | Ratkaisuehdotus  |
|--|--|--|
| Jääkaappi ei toimi.  | Tasavirtajohdon sulake on palanut.   | > Vaihda sulake (  kuva. 16 sivulla 293).   |
|  | Ajoneuvosulake on palanut.   | > Vaihda ajoneuvosulake.<br>Katso ohjeet ajoneuvosi käyttöohjeista.  |
|  | Ajoneuvon akku on purkautunut.   | > Tarkasta ajoneuvon akku ja lataa se.   |
|  | Sytytysvirtaa ei ole kytketty päälle.  | > Kytke sytytys päälle.  |
|  | Kompressorin lämpötila on liian matala (< 0 °C).   | > Sulje/peitä kaikki ulkoiset tuuletusrilät kokonaan eristävällä materiaalilla.  |
|  | Jääkaappi kytkeytyy automaattisesti pois, jos jännite ei ole riittävä.<br>(Poiskytkentäjännite: 10,4 V  ) | > Lataa akku. Jääkaappi käynnistyy uudelleen automaattisesti.<br>(Päällekytkentäjännite: 11,7 V  )             |
| Jäähdytysteho heikkenee, sisälämpötila nousee. Kompressori käy jatkuvasti. | Tuuletus kylmäkoneiston ympärillä on riittämätön.  | > Tarkasta, etteivät tuuletusrilät ole minkään peitossa.<br>> Siirrä jääkaappi toiseen paikkaan.   |
|  | Sisäseinät ovat jäässä.  | > Tarkasta, sulkeutuuko jääkaapin ovi kunnolla.<br>> Varmista, että jääkaapin tiiviste on ehjä ja asennettu oikein paikalleen.<br>> Sulata jääkaappi (katso Jääkaapin sulattaminen sivulla 290). |
|  | Lämpötila on säädetty liian korkeaksi.   | > Aseta matalampi lämpötila.   |
|  | Ympäristön lämpötila on liian korkea.  | > Irrota tuuletusrilät väliaikaisesti, jotta lämmin ilma pääsee poistumaan nopeammin.  |
|  | Jääkaappiin on sijoitettu liian paljon elintarvikkeita kerrallaan.   | > Poista joitakin elintarvikkeita.   |
|  | Jääkaappiin on sijoitettu liian paljon lämpimiä elintarvikkeita kerrallaan.  | > Ota lämpimät elintarvikkeet pois ja anna niiden jäähtyä ennen jääkaappiin sijoittelua.   |

| Häiriö  | Mahdollinen syy  | Ratkaisuehdotus  |
|---|--|--|
|   | Jääkaappi ei ole ollut vielä pitkään käytössä.   | > Tarkista lämpötila uudelleen 4 h / 5 h kuluttua.                   |
|   | Kondensaattoriyksikkö on likainen.   | > Puhdista lauhdutin (katso kappale Puhdistus ja hoito sivulla 289). |
|   | Puhallin on rikki.   | > Ota yhteyttä valutettuun huoltopalveluun.                          |
| Jäähdytysteho heikkenee, sisälämpötila nousee.<br><br>Kompressor ei käy harvoin.                  | Akku on tyhjä.   | > Lataa akku.  |
| Jäähdytysteho heikkenee, sisälämpötila nousee.<br><br>Kompressor ei käy (akkuliitäntä).           | Katkos akun ja elektroniikan välisessä liitännässä.  | > Yhdistä liitäntä.  |
|   | Pääkytkin on viallinen (jos sellainen on asennettu).   | > Vaihda pääkytkin.  |
|   | Lisäjohtosulake on palanut (jos sellainen on asennettu).   | > Vaihda syöttöjohdon sulake.  |
|   | Akkujännite on liian pieni.  | > Lataa akku.  |
|   | Akkukapasiteetti on liian vähäinen.  | > Vaihda akku uuteen.  |
|   | Johtojen liitännät ovat löysät. Kontakti on huono (korrosio).  | > Yhdistä liitäntä.  |
|   | Johdon poikkipinta-ala on liian pieni.   | > Vaihda kaapeli.  |
|   | Kompressorissa on vikaa.   | > Ota yhteyttä valutettuun huoltopalveluun.                          |
| Jäähdytysteho heikkenee, sisälämpötila nousee.<br><br>Kompressor ei käy (liitäntä vaihtovirtaan). | Liitännän syöttöjohto on katkennut.  | > Yhdistä liitäntä.  |
|   | Pääkytkin on viallinen (jos sellainen on asennettu).   | > Vaihda pääkytkin.  |
|   | Lisäjohtosulake on palanut (jos sellainen on asennettu).   | > Vaihda syöttöjohdon sulake.  |
|   | Kompressorissa on vikaa.   | > Ota yhteyttä valutettuun huoltopalveluun.                          |
| Epätavallisia ääniä.  | Jokin jäähdytyskierron osa ei pääse liikkumaan vapaasti (osa on kiinni seinämässä).                              | > Käännä osa varovasti irti esteestä.                                |
|   | Vieras esine on jumissa kylmäkoneen ja seinän välissä.   | > Ota vieras esine pois.   |
|   | Tuuletinmelua.   | > Ota yhteyttä valutettuun huoltopalveluun.                          |
| Ovi avautuu vahingossa ajoneuvon liikkuessa (esim. ajon aikana).                                  | Ovisalpa on asennossa <b>A</b> (katso kappale Ovisalvan säätäminen sivulla 281).                                 | > Aseta ovisalpa asentoon <b>B</b> .                                 |
| Ovi ei sulkeudu kunnolla.   | Ovisalpa on asennossa <b>A</b> (katso kappale Ovisalvan säätäminen sivulla 281).                                 | > Aseta ovisalpa asentoon <b>B</b> .                                 |
|   | Ovisalpa on asennossa <b>B</b> (katso kappale Ovisalvan säätäminen sivulla 281), mutta ovi ei sulkeudu kunnolla. | > Varmista, että ovi lokahtaa suljettaessa.                          |

## Virheen näyttö



### OHJE

- > Kaikki virheet ilmaistaan virheilmaisimen LED-valon oranssilla vilkunnalla (katso Käyttö- ja näyttölaitteet sivulla 280). Vilkahduksien määrä riippuu viasta. Yksi vilkahdus kestää aina sekunnin neljäsosan. Vilkahdusten sarjaa seuraa tauko. Vian osoittava jakso toistuu aina neljän sekunnin välein.
- > ECO-, PERFORMANCE- ja FREEZER-tilassa kuuluu lisäksi äänimerkki.

| Vilkuntataajuus | Error                        | Mahdollinen syy   |
|-----------------|------------------------------|---|
| 1               | Ali- tai ylijännite          | Syöttöjännite on säädetyn alueen ulkopuolella.  |
| 2               | Tuulettimen ylivirta         | Tuuletin kuormittaa elektroniikkayksikköä yli 1 A :n virralla.  |
| 3               | Moottori ei käynnisty        | Roottori on jumissa.<br>Jäähdytysjärjestelmän paine-ero on liian suuri.                                     |
| 4               | Liian matala kierrosluku     | Jos jäähdytysjärjestelmää kuormitetaan liikaa, moottorin minimikierroslukua ei voida pitää yllä.            |
| 5               | Elektroniikkayksikön yllämpö | Elektroniikka kuumenee liikaa, kun jäähdytysjärjestelmää kuormitetaan liikaa tai lämpötila on liian korkea. |
| Jatkuva         | Lämpötila-anturin virheet    | Lämpötila-anturi on viallinen.  |

## 11 Takuu

Tuotetta koskee lakisääteinen tuotevastuu-aika. Jos tuote on viallinen, ota yhteyttä valmistajan toimipisteeseen omassa maassasi (ks. [dometic.com/dealer](http://dometic.com/dealer)) tai jälleenmyyjään.

Jos lähetät tuotteen korjattavaksi, liitä korjaus- ja takuukäsittelyä varten mukaan seuraavat asiakirjat:

- Kopio kuitista, jossa näkyy ostopäivä
- Valitusperuste tai vikakuvaus

Huomaa, että itse tai väärin tehty korjaus voi vaarantaa turvallisuuden ja johtaa takuun raukeamiseen.

## 12 Hävittäminen



### HUOMAUTUS! Vahingonvaara

Kylmälaitteen eristeet sisältävät syttyvää syklopentaania, joten ne vaativat erityisen hävittämismenetelmän. Kun kylmälaite on tullut käyttöikänsä päähän, toimita se asianmukaiseen kierrätyspisteeseen.



Vie pakkausmateriaalit mahdollisuuksien mukaan niille tarkoitettuihin kierrätysjäteastioihin. Tiedustele lähimmästä kierrätyskeskuksesta tai jälleenmyyjältä tuotetta koskevia yksityiskohtaisia hävittämistä koskevia ohjeita. Eurooppa: Tuotteen voi hävittää veloitusetta.

## 13 Tekniset tiedot

Laitteesi ajan tasalla olevan EU-vaatimustenmukaisuusvakuutuksen löydät vastaavalta tuotesivulta osoitteesta [dometic.com](http://dometic.com). Voit myös pyytää asiakirjan suoraan valmistajalta (ks. [dometic.com/dealer](http://dometic.com/dealer)).

Laite vastaa UN ECE -säädestä R10.

|   | <b>NRX0035(E/C/S)</b>  | <b>NRX0050(E/C/S)</b>     | <b>NRX0060(E/C/S)</b>    |
|---|--|---------------------------|--------------------------|
| Tilavuus  |  |                           |                          |
| • Kylmätila (vain NRX0035–0130[C/S])              | 27,3 L   | 39,6 L                    | 48,9 L                   |
| • Pakastelokero (vain NRX0035–0130[C/S])          | 4,4 L  | 4,4 L                     | 6,1 L                    |
| • Kokonaiskapasiteetti                            | 32 L   | 44 L                      | 55 L                     |
| • Kokonaiskapasiteetti (pakastelokero poistettu)  | 34 L   | 46 L                      | 58 L                     |
| Liitäntäjännite                                   |  | 12 / 24 V==               |                          |
| Syöttöakun suojaus ( 12 V )                       |  |                           |                          |
| • Poiskytkentäjännite                             |  | 10,4 V                    |                          |
| • Jälleenkytkeytymisjännite                       |  | 11,7 V                    |                          |
| Syöttöakun suojaus ( 24 V )                       |  |                           |                          |
| • Poiskytkentäjännite                             |  | 22,8 V                    |                          |
| • Jälleenkytkeytymisjännite                       |  | 24,2 V                    |                          |
| Ilmastoluokka                                     |  | T                         |                          |
| Säilytyslämpötila-alue:                           |  |                           |                          |
| • Kylmälaite                                      |  | 0 °C ... 12 °C            |                          |
| • Pakastelokero (vain NRX0035–0130[C/S])          |  | -15 °C ... -5 °C          |                          |
| • Freezer-tila (vain NRX0035–0130[C/S])           |  | -6 °C                     |                          |
| Tarkoitettu käytettäväksi ympäristön lämpötilassa |  | 16 °C ... 43 °C           |                          |
| Kylmäaine   |  | R134a                     |                          |
| Kylmäaineen määrä                                 | 24 g   | 26 g                      | 30 g                     |
| CO <sub>2</sub> -ekvivalentti                     | 0,034 t  | 0,037 t                   | 0,043 t                  |
| Vaikutus ilmaston lämpenemiseen (GWP)             |  | 1430                      |                          |
| Melupäästöt (EN 60704)                            |  | 40 ... 45 dB(A)           |                          |
| Mitat K x L x S                                   | 525 × 380 × 355 mm<br>(ilman kompressoria ja välikappaletta)<br>525 mm × 380 mm × 480 mm<br>(kompressorin ja välikappaleen kanssa) | 525 mm × 380 mm × 510 mm  | 525 mm × 448 mm × 537 mm |
| Nettopaino  | E: 13,5 kg<br>C, S: 16 kg  | E: 14,5 kg<br>C, S: 17 kg | E: 16 kg<br>C, S: 17 kg  |
| Maksimikuormitus                                  |  |                           |                          |
| • Ovihyllyä kohti                                 | 4 kg   | 4 kg                      | 5 kg                     |

|   | NRX0035(E/C/S)          | NRX0050(E/C/S)          | NRX0060(E/C/S)          |
|---|-------------------------|-------------------------|-------------------------|
| • Ovea kohti                                      | E: 4 kg<br>C/S: 8 kg    | E: 4 kg<br>C/S: 8 kg    | E: 5 kg<br>C/S: 10 kg   |
|   | NRX0080(E/C/S)          | NRX0115(E/C/S)          | NRX0130(E/C/S)          |
| Tilavuus  |                         |                         |                         |
| • Kylmätila (vain NRX0035 – 0130[C/S])            | 68,4 L                  | 104,5 L                 | 118 L                   |
| • Pakastelokero (vain NRX0035 – 0130[C/S])        | 6,6 L                   | 8,2 L                   | 8,2 L                   |
| • Kokonaiskapasiteetti                            | 75 L                    | 113 L                   | 126 L                   |
| • Kokonaiskapasiteetti (pakastelokero poistettu)  | 78 L                    | 116 L                   | 130 L                   |
| Liitäntäjännite                                   | 12 / 24 V <sup>==</sup> |                         |                         |
| Syöttöakun suojaus ( 12 V )                       |                         |                         |                         |
| • Poiskytkentäjännite                             |                         | 10,4 V                  |                         |
| • Jälleenkytkeytymisjännite                       |                         | 11,7 V                  |                         |
| Syöttöakun suojaus ( 24 V )                       |                         |                         |                         |
| • Poiskytkentäjännite                             |                         | 22,8 V                  |                         |
| • Jälleenkytkeytymisjännite                       |                         | 24,2 V                  |                         |
| Ilmastoluokka                                     | T                       |                         |                         |
| Säilytyslämpötila-alue                            |                         |                         |                         |
| • Kylmälaite                                      |                         | 0 °C ... 12 °C          |                         |
| • Pakastelokero (vain NRX0035–0130[C/S])          |                         | -15 °C ... -5 °C        |                         |
| • Freezer-tila (vain NRX0035–0130C/S)             |                         | -6 °C                   |                         |
| Tarkoitettu käytettäväksi ympäristön lämpötilassa | 16 °C ... 43 °C         |                         |                         |
| Kylmäaine   | R134a                   |                         |                         |
| Kylmäaineen määrä                                 | 32 g                    | 40 g                    | 40 g                    |
| CO <sub>2</sub> -ekvivalentti                     | 0,046 t                 | 0,057 t                 | 0,057 t                 |
| Vaikutus ilmaston lämpenemiseen (GWP)             | 1430                    |                         |                         |
| Melupäästöt (EN 60704)                            | 40 ... 45 dB(A)         |                         |                         |
| Mitat K x L x S                                   | 625 × 475 × 537 mm      | 745 × 525 × 568 mm      | 812 × 525 × 568 mm      |
| Nettopaino  | C, S: 20 kg<br>E: 18 kg | C, S: 26 kg<br>E: 24 kg | C, S: 27 kg<br>E: 25 kg |
| Maksimikuormitus                                  |                         |                         |                         |
| • Ovihyllyä kohti                                 | 5 kg                    | 6 kg                    | 6 kg                    |

|              | <b>NRX0080(E/C/S)</b> | <b>NRX0115(E/C/S)</b>  | <b>NRX0130(E/C/S)</b>  |
|--------------|-----------------------|------------------------|------------------------|
| • Ovea kohti | 10 kg                 | E: 12 kg<br>C/S: 18 kg | E: 12 kg<br>C/S: 18 kg |

## 14 Tekniset tiedot

Laitteesi ajan tasalla olevan EU-vaatimustenmukaisuusvakuutuksen löydät vastaavalta tuotesivulta osoitteesta [dometic.com](http://dometic.com). Voit myös pyytää asiakirjan suoraan valmistajalta (ks. [dometic.com/dealer](http://dometic.com/dealer)).

Laite vastaa UN ECE -säädestä R10.

|   | <b>NRX0090V</b>          |
|---|--------------------------|
| Tilavuus  |                          |
| • Jääkaappiosasto                                 | 79 L                     |
| • Pakastelokero                                   | 8,4 L                    |
| • Kokonaiskapasiteetti                            | 87 L                     |
| • Kokonaiskapasiteetti (pakastelokero poistettu)  | 92 L                     |
| Liitäntäjännite                                   | 12 / 24 V <sup>==</sup>  |
| Syöttöakun suojaus (12 V)                         |                          |
| • Poiskytkentäjännite                             | 10,4 V                   |
| • Jälleenkytkeytymisjännite                       | 11,7 V                   |
| Syöttöakun suojaus (24 V)                         |                          |
| • Poiskytkentäjännite                             | 22,8 V                   |
| • Jälleenkytkeytymisjännite                       | 24,2 V                   |
| Energiankulutus                                   | 0,35 kWh / 24 h          |
| Ilmastoluokka                                     | T                        |
| Säilytyslämpötila-alue                            |                          |
| • Kylmälaite                                      | 0 °C ... 15 °C           |
| • Pakastelokero                                   | -12 °C ... -5 °C         |
| • FREEZER-tila                                    | -5 °C ± 2 °C             |
| Tarkoitettu käytettäväksi ympäristön lämpötilassa | 16 °C ... 43 °C          |
| Kylmäaine   | R600a                    |
| Kylmäaineen määrä                                 | 22 g                     |
| CO <sub>2</sub> -ekvivalentti                     | 0,000 t                  |
| Vaikutus ilmaston lämpenemiseen (GWP)             | 3                        |
| Noise emission (EN60704)                          |                          |
| • PERFORMANCE-tila                                | < 40 dB(A)               |
| • QUIET-tila                                      | 37 dB(A)                 |
| Mitat K x L x S                                   | 821 mm × 486 mm × 480 mm |



|            |                 |
|------------|-----------------|
|            | <b>NRX0090V</b> |
| Nettopaino | 22 kg           |

## Polski

|    |  |     |
|----|--|-----|
| 1  | Ważne wskazówki.....                     | 300 |
| 2  | Objaśnienie symboli.....                 | 300 |
| 3  | Wskazówki bezpieczeństwa.....            | 301 |
| 4  | W zestawie.....                          | 304 |
| 5  | Osprzęt.....                             | 304 |
| 6  | Użytkowanie zgodne z przeznaczeniem..... | 305 |
| 7  | Opis techniczny.....                     | 306 |
| 8  | Eksploatacja.....                        | 308 |
| 9  | Czyszczenie i konserwacja.....           | 316 |
| 10 | Usuwanie usterek.....                    | 319 |
| 11 | Gwarancja.....                           | 322 |
| 12 | Utylizacja.....                          | 323 |
| 13 | Dane techniczne.....                     | 323 |
| 14 | Dane techniczne.....                     | 325 |

## 1 Ważne wskazówki

Prosimy o uważne przeczytanie niniejszej instrukcji obsługi produktu i przestrzeganie wszystkich zaleceń, wskazówek oraz ostrzeżeń w niej zawartych w celu zapewnienia prawidłowego montażu, użytkowania oraz konserwacji produktu w każdej sytuacji. Niniejsza instrukcja MUSI przez cały czas pozostawać przy produkcie.

Korzystając z produktu, użytkownik potwierdza uważne przeczytanie wszelkich instrukcji, wskazówek i ostrzeżeń, ich zrozumienie oraz zobowiązuje się przestrzegać zawartych w nich warunków. Użytkownik zobowiązuje się wykorzystywać niniejszy produkt wyłącznie zgodnie z jego przeznaczeniem i zamierzonym zastosowaniem oraz z instrukcjami, wskazówkami i ostrzeżeniami wyszczególnionymi w niniejszej instrukcji produktu, jak również ze wszystkimi mającymi zastosowanie przepisami i regulacjami prawnymi. Nieprzestrzeganie zawartych tu instrukcji i ostrzeżeń może skutkować obrażeniami u użytkownika oraz osób trzecich, uszkodzeniem produktu lub też uszkodzeniem mienia w sąsiedztwie produktu. Zastrzega się możliwość wprowadzania zmian i aktualizacji niniejszej instrukcji produktu, wraz z instrukcjami, wskazówkami i ostrzeżeniami oraz powiązaną dokumentacją. Aktualne informacje dotyczące produktu można zawsze znaleźć na stronie [documents.domestic.com](http://documents.domestic.com).

## 2 Objasnienie symboli

Słowo sygnałowe pozwala rozpoznać komunikaty dotyczące bezpieczeństwa i komunikaty dotyczące uszkodzeń mienia, a także wskazuje stopień lub poziom zagrożenia.



### NIEBEZPIECZEŃSTWO!

Wskazuje niebezpieczną sytuację, która – jeśli się jej nie uniknie – prowadzi do śmierci lub poważnych obrażeń.



### OSTRZEŻENIE!

Wskazuje niebezpieczną sytuację, która – jeśli się jej nie uniknie – może prowadzić do śmierci lub poważnych obrażeń.



### OSTROŻNIE!

Wskazuje niebezpieczną sytuację, która – jeśli się jej nie uniknie – może prowadzić do lekkich lub umiarkowanych obrażeń.



### UWAGA!

Wskazuje sytuację, która – jeśli się jej nie uniknie – może prowadzić do powstania szkód materialnych.



**WSKAZÓWKA** Dodatkowe informacje dotyczące obsługi produktu.

## 3 Wskazówki bezpieczeństwa

### Podstawowe zasady bezpieczeństwa



#### **OSTRZEŻENIE! Ryzyko porażenia prądem**

- > Montażu i demontażu lodówki dokonywać może wyłącznie wykwalifikowany personel.
- > Wykonanie instalacji w pomieszczeniach wilgotnych oraz w obszarach wystawionych na działanie wody należy zlecać wyłącznie specjalistom.
- > W przypadku instalacji lodówki pod zadaszeniem lub w podobnym miejscu należy upewnić się, że urządzenie jest chronione przed deszczem i bryzgami wody.
- > Nie wolno uruchamiać lodówki, jeśli posiada ona widoczne uszkodzenia.
- > Napraw lodówki mogą dokonywać tylko odpowiednio wykwalifikowane osoby. Nieprawidłowe naprawy mogą wywoływać poważne zagrożenia lub powodować uszkodzenia lodówki.
- > Jeśli kabel przyłączeniowy tej lodówki jest uszkodzony, w celu uniknięcia zagrożeń należy go wymienić u producenta, w dziale obsługi klienta lub u osoby posiadającej podobne uprawnienia.
- > Podczas ustawiania lodówki należy uważać, aby nie przygnieść ani nie uszkodzić przewodu zasilającego.
- > Nie umieszczać z tyłu lodówki przedłużaczy z wieloma gniazdami ani przenośnych zasilaczy.
- > Nigdy nie chwytać gołymi rękami nieosłoniętych przewodów.
- > Urządzenie podłączać do gniazdek zapewniających odpowiednie przyłącze, zwłaszcza jeżeli wymaga ono uziemienia.
- > W przypadku zasilania z sieci elektrycznej należy zapewnić zabezpieczenie zasilania za pomocą wyłącznika różnicowoprądowego (RDC, RCCB lub GFCI). Montaż należy wykonać zgodnie ze wszystkimi obowiązującymi przepisami, zwłaszcza w miejscach potencjalnie wilgotnych.



#### **OSTRZEŻENIE! Ryzyko pożaru**

- > Obieg chłodzenia zawiera niewielką ilość przyjaznego dla środowiska, czynnika chłodniczego. Nie uszkadza on warstwy ozonowej i nie przyczynia się do powstawania efektu cieplarnianego. Wycieki czynnika chłodniczego może się zapalić.
- > Nie użytkować ani nie przechowywać lodówki w zamkniętych pomieszczeniach bez przepływu powietrza lub o minimalnym przepływie powietrza.
- > We wnęce, w której montowana jest lodówka, nie umieszczać żadnych elementów elektrycznych ani źródeł światła, które podczas normalnej pracy albo w przypadku uszkodzenia mogą wytwarzać iskry lub łuki elektryczne (np. przekaźników albo skrzynek bezpieczników).
- > Izolacja lodówki zawiera palny cyklopentan, przez co wymaga ona specjalnej procedury utylizacyjnej. Po zakończeniu eksploatacji lodówkę należy dostarczyć do specjalistycznego zakładu utylizacyjnego.



#### **OSTRZEŻENIE! Ryzyko wybuchu**

W lodówce nie wolno przechowywać substancji wybuchowych, np. pojemników aerozolowych z palnym gazem wyłaczającym.



#### **OSTRZEŻENIE! Zagrożenie zdrowia**

- > Dzieci od 8 lat i osoby o ograniczonych możliwościach fizycznych, sensorycznych lub intelektualnych oraz osoby niedysponujące stosowną wiedzą i doświadczeniem mogą używać tej lodówki jedynie pod nadzorem innej osoby bądź pod warunkiem uzyskania informacji dotyczących bezpiecznego użytkowania lodówki i zrozumienia wynikających z tego zagrożeń.

- > Dzieci od 3 do 8 lat mogą umieszczać produkty w lodówce i wyjmować je z niej.
- > Dzieci nie mogą czyścić i konserwować urządzenia bez nadzoru.
- > Zabezpieczyć, aby dzieci nie mogły się bawić lodówką.



#### **OSTRZEŻENIE! Ryzyko zamknięcia się dziecka w urządzeniu**

- > Upewnić się, że półki są zamontowane i zamocowane, aby wykluczyć ryzyko uwięzienia dzieci wewnątrz lodówki.
- > Przed użyciem starego urządzenia chłodniczego:
  - Zdemontować szufladę.
  - Pozostawić półki w lodówce w taki sposób, aby dzieci nie mogły się po nich wspinać.
- > Zdjąć drzwi.



#### **OSTROŻNIE! Zagrożenie zdrowia**

- > Aby uniknąć niebezpieczeństwa spowodowanego niestabilnym ustawieniem lodówki, należy ją zamocować zgodnie z instrukcją montażu.
- > Nie zasłaniać otworów wentylacyjnych w lodówce, w jej obudowie ani w konstrukcji, w którą jest ona wbudowana.
- > Nie używać urządzeń mechanicznych ani innych środków do przyspieszania procesu odszraniania, o ile nie zaleca ich do tego celu producent.
- > W żadnym wypadku nie otwierać ani nie uszkadzać obiegu chłodzenia.
- > Wewnątrz lodówki nie wolno korzystać z żadnych urządzeń elektrycznych, chyba że zostały one zalecone przez producenta.



#### **OSTROŻNIE! Ryzyko obrażeń**

- > Nie używać ani nie przechowywać materiałów łatwopalnych w lodówce lub w jej pobliżu.
- > Nie umieszczać żadnych przedmiotów na lodówce ani przy niej.
- > Nie wprowadzać modyfikacji w lodówce.



#### **UWAGA! Ryzyko uszkodzenia**

- > Zasilanie prądem stałym (DC) należy wybierać tylko wówczas, gdy silnik pojazdu jest uruchomiony i dostarcza wystarczającego napięcia lub gdy stosowane jest zabezpieczenie przed rozładowaniem akumulatora.
- > Jeśli występuje odpływ skroplin, należy stale utrzymywać go w czystości.
- > Jeśli lodówka jest wyposażona w kratki wentylacyjne, podczas czyszczenia pojazdu nie należy stosować myjki wysokociśnieniowej w ich pobliżu.
- > Lodówkę należy chronić przed deszczem.
- > Wtyczki nie wolno nigdy wyciągać z gniazda, ciągnąc za przewód przyłączeniowy.

## **Bezpieczne użytkowanie lodówki**



#### **NIEBEZPIECZEŃSTWO! Ryzyko porażenia prądem**

Przed uruchomieniem lodówki należy sprawdzić, czy przewód zasilający i wtyczka są suche.



#### **OSTROŻNIE! Zagrożenie zdrowia**

- > Należy upewnić się, że w lodówce znajdują się wyłącznie artykuły, które mogą być przechowywane w ustawionej w niej temperaturze.
- > Regularnie czyścić powierzchnie, które mogą mieć kontakt z żywnością i dostępnymi układami odprowadzania wody.

- > Surowe mięso i ryby należy przechowywać w lodówce w odpowiednich pojemnikach, tak aby nie miały one kontaktu z innymi środkami spożywczymi ani nie kapaly na nie.
- > Otwieranie drzwi na dłuższy czas może spowodować znaczny wzrost temperatury w komorach lodówki. Jeśli lodówka ma przez dłuższy czas pozostawać pusta:
  - Wyłącz lodówkę.
  - Odszronić lodówkę.
  - Wyczyścić i wysuszyć lodówkę.
  - Pozostawić otwarte drzwi, aby w lodówce nie rozwijała się pleśń. Jeśli jest taka możliwość, ustawić drzwi lodówki i drzwi zamrażalnika w pozycji zimowej.



### **OSTROŻNIE! Ryzyko obrażeń**

- > Nie dotykać zawiasu.
- > Przed rozpoczęciem jazdy zamknąć i zablokować drzwi lodówki.
- > Układ chłodniczy z tyłu lodówki podczas pracy bardzo się nagrzewa. Jeśli lodówka jest wyposażona w kratki wentylacyjne, przy ich wyjmowaniu należy unikać kontaktu z gorącymi elementami.
- > W przypadku nieprawidłowego ich użytkowania drzwi urządzenia lub zamrażalnika mogą całkowicie odłączyć się od urządzenia. Zamknąć i przycisnąć drzwi do momentu usłyszenia wyraźnego odgłosu zatrzaśnięcia po górnej i dolnej stronie.



### **UWAGA! Ryzyko uszkodzenia**

- > Nie opierać się na otwartych drzwiach lodówki.
- > Ciężkie przedmioty, takie jak butelki czy puszki, należy umieszczać w drzwiach lodówki, w pojemniku na warzywa lub na dolnej półce.
- > Jeśli lodówka posiada drzwi otwierane na obie strony i drzwi te nie zostaną prawidłowo zablokowane po przeciwnej stronie, należy po tej stronie przycisnąć górną i dolną część drzwi, aż do ich zablokowania.
- > **Niebezpieczeństwo przegrzania!** Należy pamiętać, że ciepło powstające podczas eksploatacji musi być odpowiednio odprowadzane. Zapewnić wystarczającą odległość lodówki od ścian i innych przedmiotów, aby umożliwić swobodną cyrkulację powietrza.
- > Nie wypełniać wnętrza urządzenia lodem ani cieczami.
- > Chronić lodówkę i kabel przed wysokimi temperaturami i wilgocią.
- > Wtyczki nie wolno nigdy wyciągać z gniazda, ciągnąc za przewód przyłączeniowy.



### **WSKAZÓWKA**

- > Jeżeli układ zarządzania akumulatorem pojazdu wyłącza lodówkę w celu ochrony akumulatora, należy skontaktować się z producentem pojazdu.
- > W przypadku temperatur otoczenia wynoszących 15 °C ... 25 °C należy wybrać średnie ustawienie temperatury.
- > Jeśli drzwi nie są prawidłowo zablokowane po przeciwnej stronie, należy po tej stronie przycisnąć górną i dolną część drzwi, aż do ich zablokowania.
- > Aby zapobiec psuciu się żywności:
  - Zapewnić jak najbardziej stabilną temperaturę. Drzwi zamrażalnika otwierać tylko tak często i na tak długo, jak jest to konieczne. Żywność przechowywać w sposób nieutrudniający obiegu powietrza.
  - Należy upewnić się, że w lodówce znajdują się wyłącznie artykuły, które mogą być przechowywane w ustawionej w niej temperaturze.
  - Różne rodzaje żywności przechowywać w sposób przedstawiony na rysunkach.
  - Jeżeli istnieje możliwość regulacji temperatury: Dostosować temperaturę do ilości i typu żywności.
  - Żywność może przenikać zapachami i smakami innych artykułów. Żywność zawsze przechowywać pod przykryciem lub w zamkniętych pojemnikach/butelkach.

## 4 W zestawie

| Liczba | Opis                                  |
|--------|---------------------------------------|
| 1      | Lodówka sprężarkowa                   |
| 1      | Kolanko odpływowe                     |
| 1      | Krótką instrukcja obsługi             |
| 1      | Instrukcja obsługi (wyłącznie online) |
| 1      | Instrukcja montażu                    |

## 5 Osprzęt

Elementy dostępne jako akcesoria (niedostarczane w zestawie):

| Opis  | Numer katalogowy |
|---|------------------|
| Prowadnica do zabudowy                                | 9620012939       |
| Rama montażowa wraz z dolną ramą                      |                  |
| • NRX0035, NRX0050                                    | 9620012877       |
| • NRX0060   | 9620012881       |
| • NRX0080   | 9620012882       |
| • NRX0115   | 9620012878       |
| • NRX0130   | 9620012876       |
| Rama montażowa wraz z dolną ramą (czarna)             |                  |
| • NRX0035, NRX0050                                    | 9620012874       |
| • NRX0060   | 9620012875       |
| • NRX0080   | 9620012880       |
| • NRX0115   | 9620012879       |
| • NRX0130   | 9620012883       |
| Półka do umieszczenia w miejscu wyjętego zamrażalnika |                  |
| • NRX0035, NRX0050                                    | 9620012933       |
| • NRX0060   | 9620012938       |
| • NRX0080   | 9620012935       |
| • NRX0115, NRX0130                                    | 9620012932       |

| Opis               | Numer katalogowy                   |
|--------------------|------------------------------------|
| Komora mroźna      |                                    |
| • NRX0035, NRX0050 | 9620012931                         |
| • NRX0060          | 9620012936                         |
| • NRX0080          | 9620012934                         |
| • NRX0115, NRX0130 | 9620012937                         |
| Zasilacz AC/DC     | 9620013449 (EU)<br>9620013450 (UK) |

## 6 Użytkowanie zgodne z przeznaczeniem

Lodówka jest przeznaczona do:

- Instalowania w przyczepach kempingowych, kamperach, łodziach i samochodach ciężarowych
- Chłodzenia i przechowywania żywności
- **Tylko NRX0035-0130(C/S):** Przechowywania uprzednio zamrożonej żywności
- Wykorzystywania wewnątrz pomieszczeń

Lodówka ta nie jest przeznaczona do zastosowań komercyjnych, handlowych ani domowych.

Lodówka **nie** nadaje się do:

- Przechowywania leków
- Przechowywania substancji żrących lub zawierających rozpuszczalniki
- produktów spożywczych szybko mrożonych
- Wykorzystywania na wolnym powietrzu

W przypadku stosowania na łodziach urządzenie należy zainstalować w suchym pomieszczeniu, a nie na otwartym pokładzie.

Komora mroźna nadaje się do przechowywania uprzednio zamrożonej żywności, przechowywania lub wytwarzania lodów oraz do wytwarzania kostek lodu. Nie nadaje się ona do zamrażania uprzednio niezamrożonej żywności.

Lodówka jest przeznaczona do instalacji w meblach lub we wnęce.

Optymalna wydajność chłodzenia jest zapewniona w temperaturach otoczenia od 16 °C ... 43 °C i przy maksymalnej wilgotności 90 % .

Niniejszy produkt jest przystosowany wyłącznie do wykorzystywania zgodnie z jego przeznaczeniem oraz zamierzonym zastosowaniem według niniejszej instrukcji.

Niniejsza instrukcja zawiera informacje, które są niezbędne do prawidłowego montażu i/lub obsługi produktu. Nieprawidłowy montaż i/lub niewłaściwa obsługa lub konserwacja powodują niezadowolające działanie i mogą prowadzić do uszkodzeń.

Producent nie ponosi żadnej odpowiedzialności za ewentualne obrażenia lub uszkodzenia produktu wynikłe z następujących przyczyn:

- Nieprawidłowy montaż, złożenie lub podłączenie, w tym zbyt wysokie napięcie

- Niewłaściwa konserwacja lub użycie innych części zamiennych niż oryginalne części zamienne dostarczone przez producenta
- Wprowadzanie zmian w produkcie bez wyraźnej zgody producenta
- Użytkowanie w celach innych niż opisane w niniejszej instrukcji obsługi

Firma Dometic zastrzega sobie prawo do zmiany wyglądu i specyfikacji produktu.

## 7 Opis techniczny

Lodówka ta jest lodówką sprężarkową.

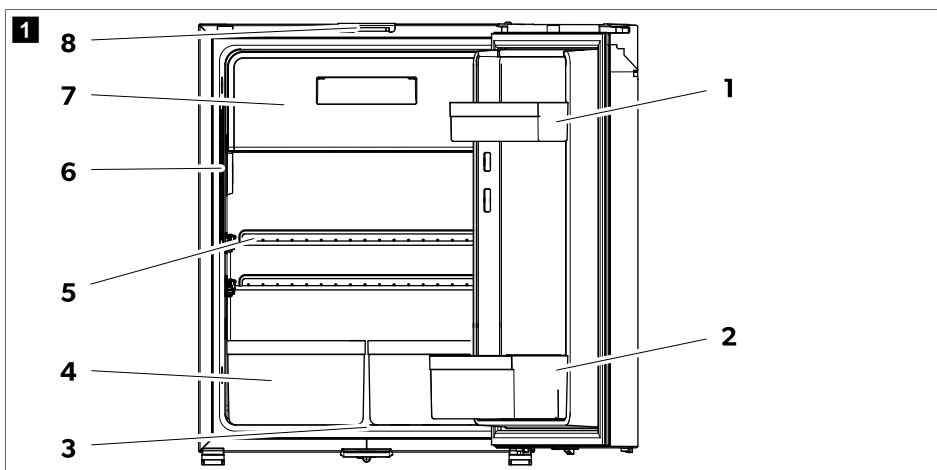
Lodówka zaprojektowana jest do pracy z różnymi rodzajami zasilania i można ją zasilac prądem stałym (DC) lub przemiennym (AC).

NRX0035-0130(C/S): Model ten jest fabrycznie wyposażony w komorę mrozną, którą można wyjmować i montować z powrotem.

Lodówka wyposażona jest w mechanizm blokujący drzwi, który pełni funkcję zabezpieczenia transportowego.

Wszystkie materiały, z których wykonano lodówkę, są bezpieczne dla artykułów spożywczych.

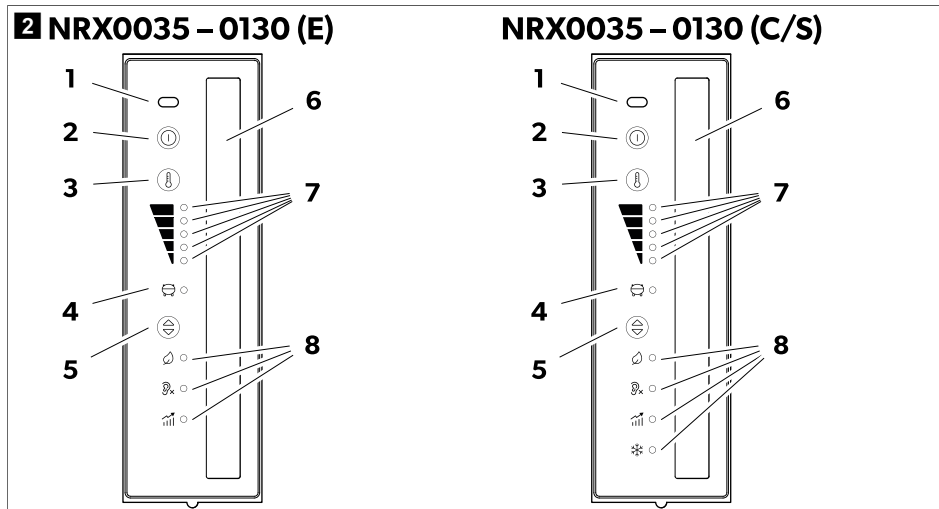
### Opis urządzenia



| Poz. | Objaśnienie   |
|------|---|
| 1    | Półka drzwiowa (tylko NRX0035-0130[C/S], NRX0080-0130[E]) |
| 2    | Półka na butelki  |
| 3    | Odpływ skroplin   |
| 4    | Pojemnik na warzywa i owoce (tylko NRX0035-0130[C/S])     |
| 5    | Półka wewnętrzna  |
| 6    | Panel sterowania z wyświetlaczem                          |
| 7    | Zamrażalnik (tylko NRX0035-0130[C/S])                     |
| 8    | Blokada drzwi do wentylacji                               |



## Elementy obsługowe i wskaźniki



| Poz. | Objaśnienie   |  |                     |  |                     |  |                     |  |                     |  |                     |
|------|---|--|---------------------|--|---------------------|--|---------------------|--|---------------------|--|---------------------|
| 1    | Czujnik otwarcia drzwi na podczerwień   |  |                     |  |                     |  |                     |  |                     |  |                     |
| 2    | Przycisk wł./wył. Ⓞ   |  |                     |  |                     |  |                     |  |                     |  |                     |
| 3    | Przycisk do ustawiania poziomu chłodzenia Ⓢ   |  |                     |  |                     |  |                     |  |                     |  |                     |
| 4    | Kontrolka pracy sprężarki i sygnalizacji błędów   |  |                     |  |                     |  |                     |  |                     |  |                     |
| 5    | Przycisk trybu pracy Ⓢ  |  |                     |  |                     |  |                     |  |                     |  |                     |
| 6    | Oświetlenie wewnętrzne  |  |                     |  |                     |  |                     |  |                     |  |                     |
| 7    | Kontrolki poziomu chłodzenia <table border="1" style="margin-left: 20px;"> <tr> <td></td> <td>Poziom chłodzenia 5</td> </tr> <tr> <td></td> <td>Poziom chłodzenia 4</td> </tr> <tr> <td></td> <td>Poziom chłodzenia 3</td> </tr> <tr> <td></td> <td>Poziom chłodzenia 2</td> </tr> <tr> <td></td> <td>Poziom chłodzenia 1</td> </tr> </table> |  | Poziom chłodzenia 5 |  | Poziom chłodzenia 4 |  | Poziom chłodzenia 3 |  | Poziom chłodzenia 2 |  | Poziom chłodzenia 1 |
|      | Poziom chłodzenia 5   |  |                     |  |                     |  |                     |  |                     |  |                     |
|      | Poziom chłodzenia 4   |  |                     |  |                     |  |                     |  |                     |  |                     |
|      | Poziom chłodzenia 3   |  |                     |  |                     |  |                     |  |                     |  |                     |
|      | Poziom chłodzenia 2   |  |                     |  |                     |  |                     |  |                     |  |                     |
|      | Poziom chłodzenia 1   |  |                     |  |                     |  |                     |  |                     |  |                     |
| 8    | Kontrolki trybów pracy  |  |                     |  |                     |  |                     |  |                     |  |                     |





## Kontrolka pracy sprężarki i sygnalizacji błędów

Kontrolka pracy sprężarki i sygnalizacji błędów wskazuje stan pracy sprężarki oraz ewentualne błędy:

| Kolor                  | Opis   |
|------------------------|--|
| Biały                  | Sprężarka włączona                                       |
| Pomarańczowy           | Sprężarka wyłączona                                      |
| Pomarańczowy (miganie) | Błąd (patrz rozdział Sygnalizacja błędów na stronie 322) |

## Kontrolki trybów pracy

Kontrolka trybu pracy wskazuje następujące opcje ustawień:

| Symbol  | Opis   |
|---|--|
|  | Tryb ECO:<br>Praca przy ograniczonym zużyciu energii.<br>Poziom chłodzenia 1 – 3   |
|  | Tryb CICHY:<br>Praca przy ograniczonym poziomie hałasu.<br>Poziom chłodzenia 1 – 4   |
|  | Tryb WYSOKIEJ WYDAJNOŚCI:<br>Poziom chłodzenia 1 – 5   |
|  | Tryb ZAMRAŹARKI (tylko NRX0035-0130[C/S]):<br>Praca z wyjątką komorą mroźną. Chłodzenie całej wewnętrznej komory lodówki do $-6^{\circ}\text{C}$ . |

## 8 Eksploatacja

### 8.1 Przed pierwszym użyciem

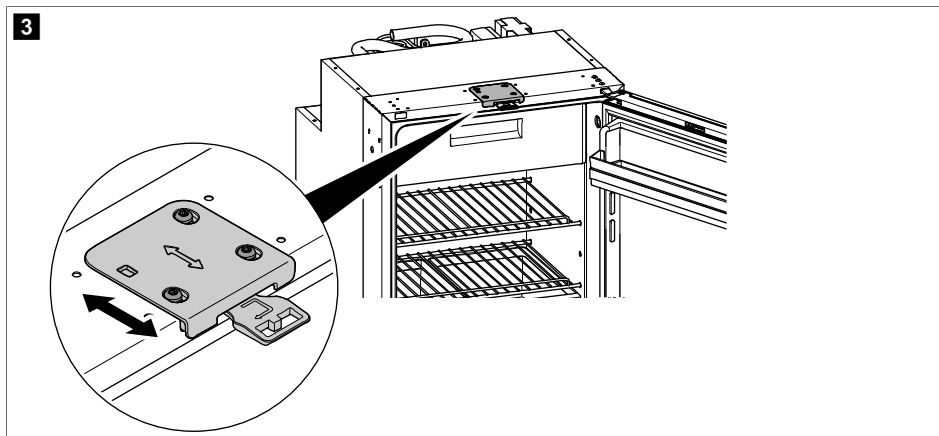


#### WSKAZÓWKA

- > Nie przechowywać produktów w lodówce przez pierwsze 4 godziny po jej uruchomieniu.
- > Przy pierwszym uruchomieniu lodówki może pojawić się zapach, który ulotni się po kilku godzinach. Należy dobrze przewietrzyć przestrzeń mieszkalną.
- > Na wydajność chłodzenia mogą mieć wpływ:
  - temperatura otoczenia (np. gdy pojazd znajduje się na słońcu),
  - ilość chłodzonej żywności,
  - Częstotliwość otwierania drzwi
- > Ze względów higienicznych wyczyścić wnętrze lodówki (patrz Czyszczenie i konserwacja na stronie 316).
- > Pojazd należy zaparkować poziomo, w szczególności podczas pierwszego uruchamiania lodówki i napełniania jej przed rozpoczęciem podróży.

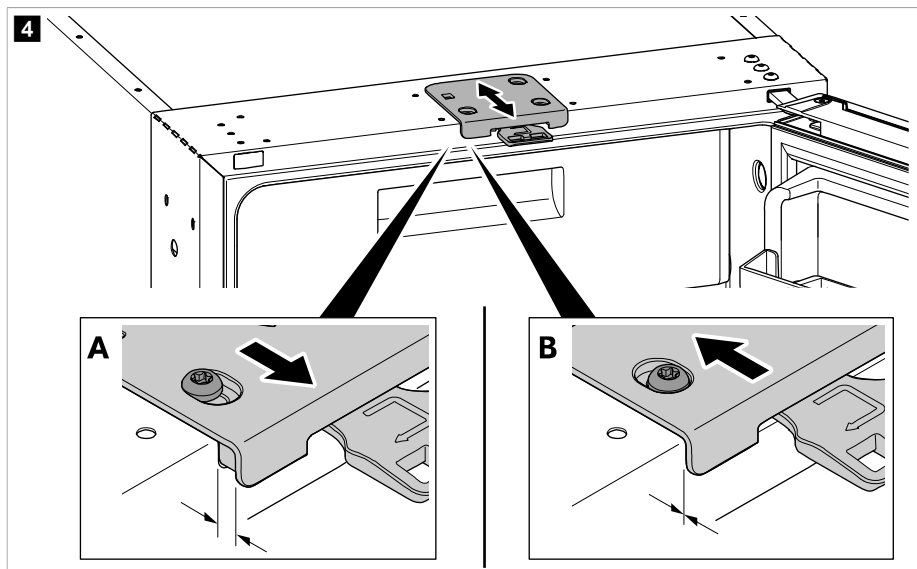
#### 8.1.1 Regulowanie blokady drzwi

Blokadę drzwi w górnej części lodówki można regulować w celu dostosowania szerokości zamykania drzwi.



**i** **WSKAZÓWKA** Sprawdzić, czy regulowana blokada drzwi została zamontowana. W razie potrzeby zamówić regulowaną blokadę drzwi ([dometic.com](http://dometic.com)) i wymienić nieruchomą blokadę drzwi na regulowaną blokadę drzwi.

> Blokada drzwi jest ustawiona fabrycznie w położeniu **A**. Ustawić blokadę drzwi w położeniu **B**.



**i** **WSKAZÓWKA** Jeśli blokada drzwi znajduje się w położeniu **B**, należy upewnić się, że drzwi podczas zamykania zostały prawidłowo domknięte (patrz rozdział Zamykanie i zabezpieczanie drzwi lodówki na stronie 311).

## 8.2 Informacje dotyczące przechowywania żywności



### OSTROŻNIE! Zagrożenie zdrowia

Gdy temperatura w pomieszczeniu, w którym znajduje się lodówka, przez dłuższy czas wynosi poniżej 10 °C, nie można już zagwarantować prawidłowej regulacji temperatury w komorze mroźnej. Może to spowodować wzrost temperatury w komorze mroźnej i rozmrożenie przechowywanych w niej produktów.

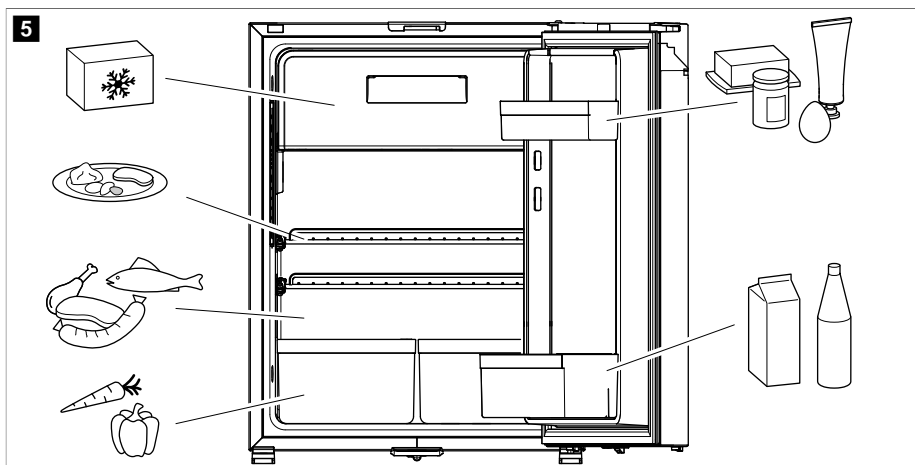


### UWAGA! Ryzyko uszkodzenia

- > Podczas napełniania lodówki nie przekraczać maksymalnych obciążeń poszczególnych spółek drzwiowych oraz całych drzwi (patrz Dane techniczne na stronie 323).
- > Nie przechowywać napojów gazowanych w komorze mroźnej.

Aby zapobiec psuciu się żywności:

- Zapewnić jak najbardziej stabilną temperaturę. Drzwi lodówki otwierać tylko tak często i na tak długo, jak jest to konieczne. Żywność przechowywać w sposób nieutrudniający obiegu powietrza.
- Dostosować temperaturę do ilości i typu żywności.
- Różne rodzaje żywności przechowywać w sposób przedstawiony na rysunkach.
- Żywność może przenikać zapachami i smakami innych artykułów. Żywność zawsze przechowywać pod przykryciem lub w zamkniętych pojemnikach/butelkach.
- > Żywność należy przechowywać w zilustrowany sposób.



## 8.3 Oszczędzanie energii

- Drzwi lodówki otwierać tylko tak często i na tak długo, jak jest to konieczne.
- Ciepłe potrawy należy ochłodzić przed włożeniem do urządzenia.
- Rozmrozić lodówkę po wytworzeniu się warstwy lodu.
- Unikać zbyt niskiej temperatury wewnętrznej.
- W celu zapewnienia optymalnego zużycia energii półki i szuflady ustawiać w położeniach, w których zostały one dostarczone.
- Regularnie sprawdzać osadzenie uszczelnienia drzwi.
- Regularnie usuwać ze skraplacza kurz i inne zanieczyszczenia.

## 8.4 Korzystanie z drzwi lodówki



### **OSTROŻNIE! Ryzyko obrażeń**

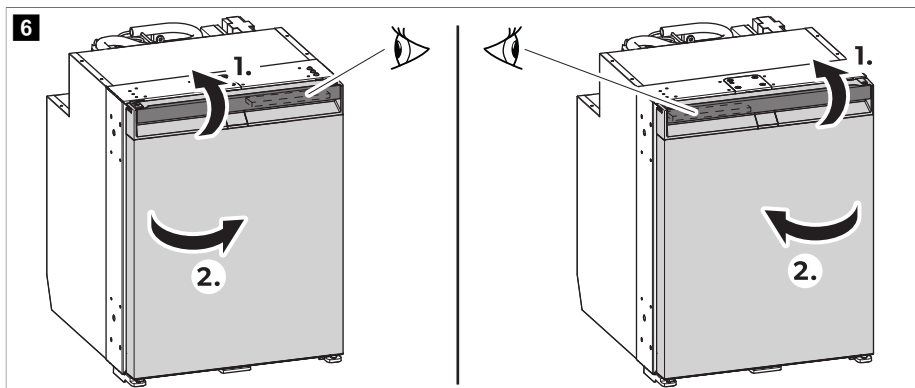
W przypadku nieprawidłowego ich użytkowania drzwi lodówki lub zamrażalnika mogą całkowicie odłączyć się od urządzenia.

### 8.4.1 Otwieranie drzwi lodówki



**WSKAZÓWKA** Uważać, aby ciągnąć za uchwyt znajdujący się po przeciwnej stronie niż ogranicznik drzwi. Zwracać przy tym uwagę na położenie suwaka. Odpowiednie informacje zawarte są w instrukcji montażu.

> W celu otwarcia drzwi lodówki postępować w zilustrowany sposób.



### 8.4.2 Zamykanie i zabezpieczanie drzwi lodówki



### **OSTROŻNIE! Ryzyko obrażeń**

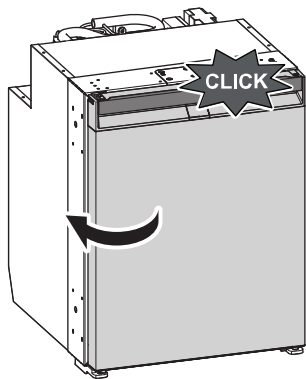
Jeśli drzwi nie są prawidłowo zablokowane, ostrożnie przycisnąć ich górną i dolną część, aż do ich zablokowania.



**WSKAZÓWKA** Lodówka ma mechanizm blokujący, który pełni również funkcję zabezpieczenia transportowego.

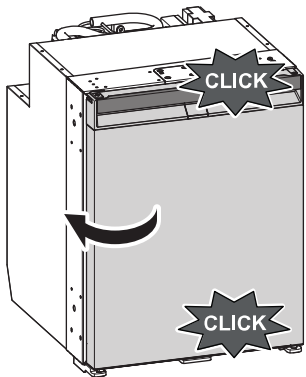
- > NRX0035–0130(E): Zamknąć i przycisnąć drzwi do momentu usłyszenia wyraźnego odgłosu zatrzaśnięcia po górnej stronie.

### 7 NRX0035 – 0130 (E)



- > NRX0035–0130(C/S): Zamknąć i przycisnąć drzwi do momentu usłyszenia wyraźnego odgłosu zatrzaśnięcia po górnej i dolnej stronie.

### 8 NRX0035 – 0130 (C/S)





- ✓ Drzwi zostały zamknięte i zabezpieczone.

## 8.5 Włączanie i wyłączanie




**WSKAZÓWKA** Zawsze wyłączać lodówkę, jeżeli nie będzie ona używana przez dłuższy czas.

- > Aby włączyć urządzenie, jednokrotnie nacisnąć przycisk  i przytrzymywać go przez co najmniej 2 s .
- ✓ Lodówka włączy się i przywrócone zostaną ostatnio wybrany poziom chłodzenia oraz tryb pracy.
- > Aby wyłączyć urządzenie, nacisnąć przycisk  i przytrzymywać go przez co najmniej 2 s .

## 8.6 Ustawianie trybów pracy



**WSKAZÓWKA** W przypadku korzystania z trybów ECO, WYSOKIEJ WYDAJNOŚCI lub ZAMRAŻARKI system pozostaje w tym trybie aż do dokonania jego zmiany.

- > W celu ustawienia trybu pracy wielokrotnie naciskać przycisk , aż zapali się kontrolka żądanego trybu pracy. Dostępne są następujące tryby pracy:

### Korzystanie z trybu ECO

Gdy aktywny jest tryb ECO, lodówka pracuje przy ograniczonym zużyciu energii na poziomach chłodzenia 1–3.

- ✓ Kontrolka trybu ECO  i kontrolka wybranego poziomu chłodzenia świecą się.

### Korzystanie z trybu CICHEGO

Gdy aktywny jest tryb CICHY, lodówka pracuje przy ograniczonym poziomie hałasu na poziomach chłodzenia 1–4.



#### WSKAZÓWKA

- > Tryb CICHY jest niedostępny, gdy lodówka pracuje w trybie ZAMRAŻARKI.
- > W przypadku korzystania z trybu CICHEGO lodówka pozostaje w tym trybie przez 8 h, a następnie automatycznie powraca do poprzedniego trybu (ECO lub WYSOKIEJ WYDAJNOŚCI).

- ✓ Kontrolka trybu CICHEGO  i kontrolka wybranego poziomu chłodzenia świecą się.

### Korzystanie z trybu WYSOKIEJ WYDAJNOŚCI

Gdy aktywny jest tryb WYSOKIEJ WYDAJNOŚCI, lodówka pracuje w standardowym trybie na poziomach chłodzenia 1–5.

- ✓ Kontrolka trybu WYSOKIEJ WYDAJNOŚCI  i kontrolka wybranego poziomu chłodzenia świecą się.

### Korzystanie z trybu ZAMRAŻARKI

Gdy włączony jest tryb ZAMRAŻARKI, cała wewnętrzna komora lodówki jest chłodzona do  $-6^{\circ}\text{C}$ .



**WSKAZÓWKA** W celu korzystania z trybu ZAMRAŻARKI należy wyjąć komorę mroźną.

- ✓ Kontrolka trybu ZAMRAŻARKI  oraz kontrolki wszystkich poziomów chłodzenia świecą się ciągle.

## 8.7 Regulacja poziomu chłodzenia

- > Aby ustawić poziom chłodzenia, wielokrotnie naciskać przycisk , aż do osiągnięcia żądanego poziomu chłodzenia.

## 8.8 Zmiana położenia półek



#### OSTRZEŻENIE! Ryzyko zamknięcia się dziecka w urządzeniu

NRX0060–0130: Wszystkie półki są zablokowane w celu uniemożliwienia dzieciom wchodzenia do lodówki.

- > Półki należy wyjmować tylko w celu czyszczenia lodówki.

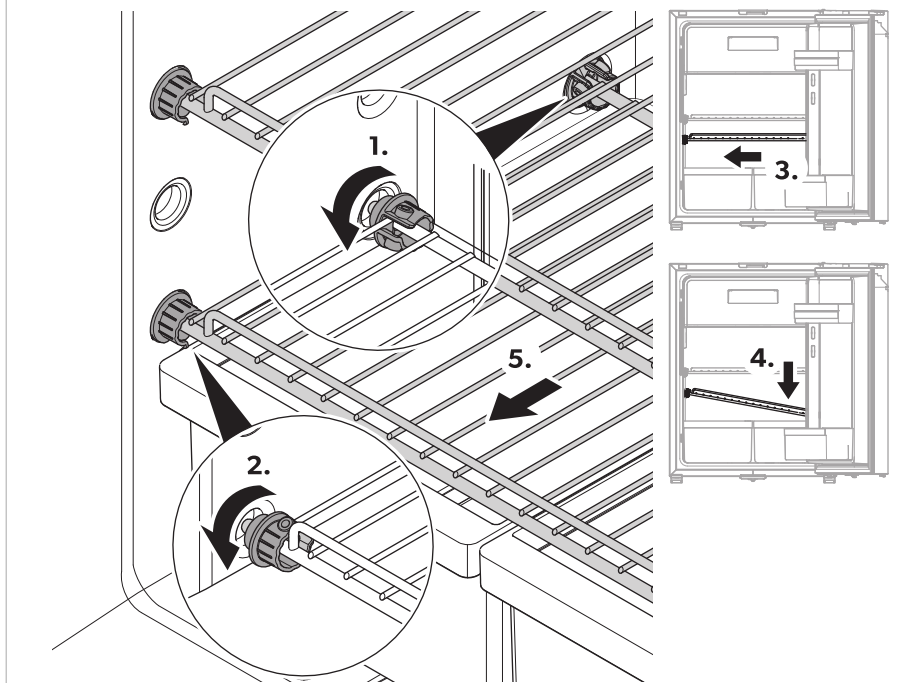
- > Z powrotem umieścić półki i zamocować je.



**WSKAZÓWKA** Przed zmianą położenia półek wyjąć zamrażalnik, aby ułatwić dostęp do tylnych pokręteł półek.

- > **NRX0035-0050:** W celu zmiany położenia półek postępować w zilustrowany sposób.

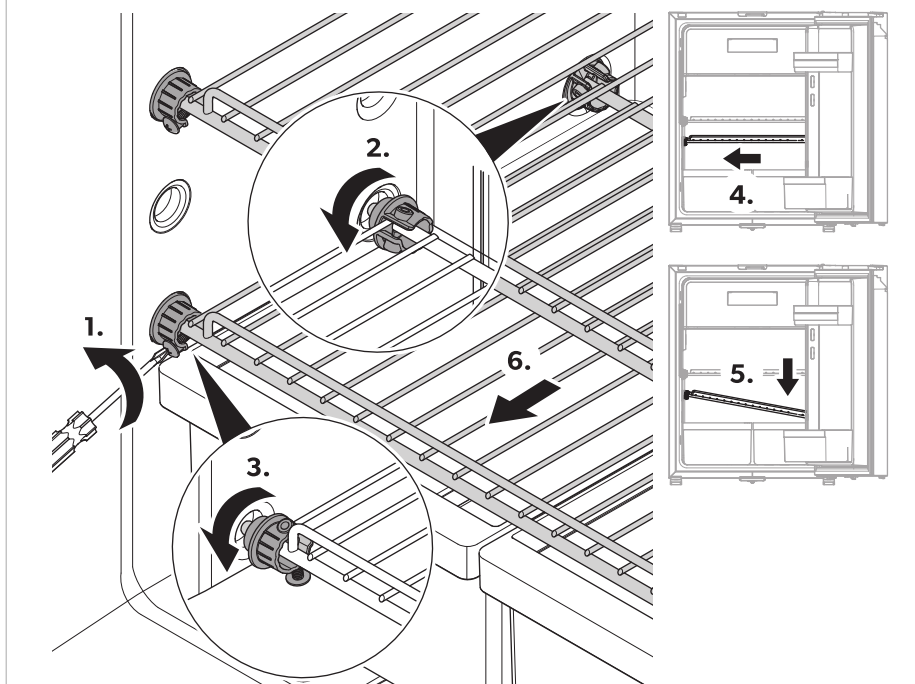
## 9 NRX0035 – 0050





- > **NRX0035-0050:** W celu zmiany położenia półek postępować w zilustrowany sposób.

## 10 NRX0060 – 0130



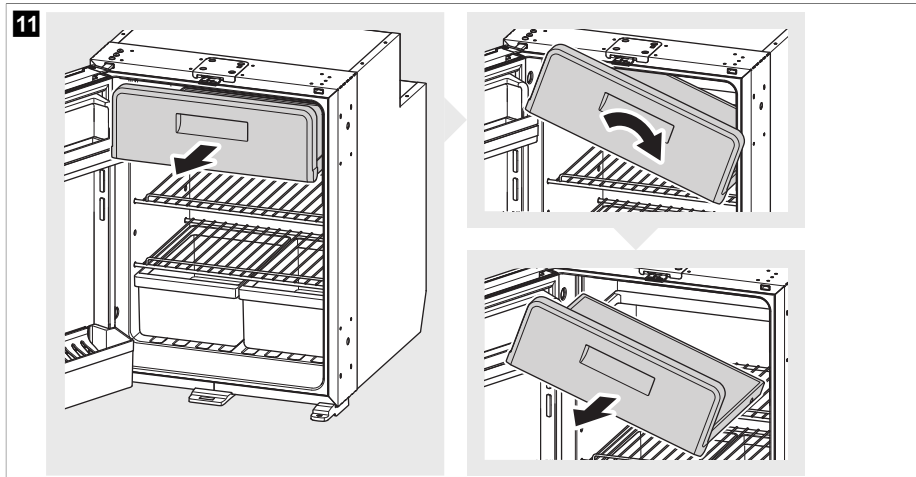
### 8.9 Wyjmowanie komory mroźnej



#### **UWAGA! Ryzyko uszkodzenia**

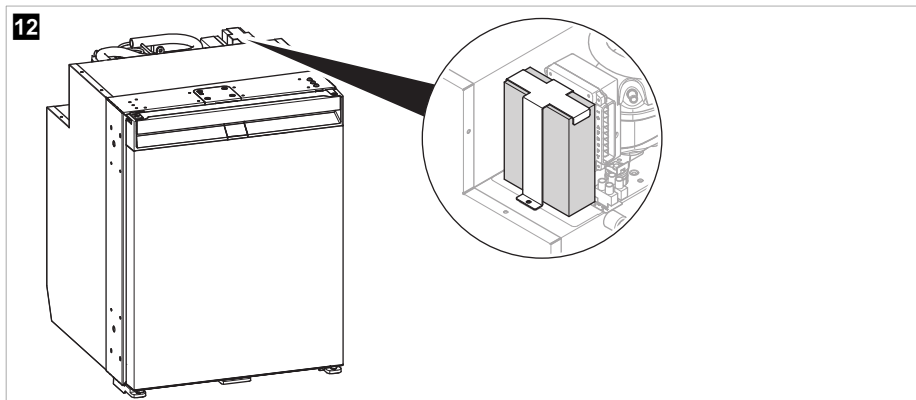
- > Przed wyjęciem komory mroźnej zamknąć jej drzwi.
- > Komorę mroźną chwytać od dołu. Nie ciągnąć za drzwi komory mroźnej.
- > Przechowywać komorę mroźną w suchym i bezpiecznym miejscu.

- > W celu wyjęcia komory mroźnej postępować w zilustrowany sposób.



## 8.10 Montaż adaptera AC/DC

- > W celu zamontowania adaptera AC/DC (dostępnego w ramach akcesoriów) postępować w zilustrowany sposób.



## 9 Czyszczenie i konserwacja



### **OSTRZEŻENIE! Ryzyko porażenia prądem**

Przed przystąpieniem do czyszczenia i konserwacji należy zawsze odłączyć lodówkę od zasilania.



### **UWAGA! Ryzyko uszkodzenia**

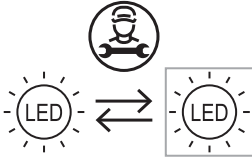
- > Podczas czyszczenia nie używać środków czyszczących o właściwościach ściernych ani twardych przedmiotów.

- > Nigdy nie używać twardych lub ostrych narzędzi do usuwania lodu lub uwalniania przymarznionych przedmiotów.
- > Uważać, aby woda nie kapiała na uszczelki. Może to spowodować uszkodzenie elektroniki.



### **UWAGA! Ryzyko uszkodzenia**

Aby uniknąć zagrożenia, wymianę źródła światła zlecać wyłącznie producentowi, w centrum serwisowym lub odpowiednio wykwalifikowanej osobie.



- > Lodówkę należy czyścić za pomocą wilgotnej ściereczki od wewnątrz i od zewnątrz – w regularnych odstępach czasu lub gdy tylko się zabrudzi. Po wyczyszczeniu należy wytrzeć lodówkę do sucha ściereczką.
- > Regularnie kontrolować odpływ skroplin.  
W razie konieczności wyczyścić odpływ skroplin. Jeśli jest on zapchany, skropliny będą się zbierać na dnie lodówki.
- > Regularnie usuwać ze skraplacza kurz i inne zanieczyszczenia, używając w tym celu wilgotnej ściereczki.

### **Obieg chłodzenia**

Obieg chłodzenia jest bezobsługowy.

### **Rozmrażanie lodówki**



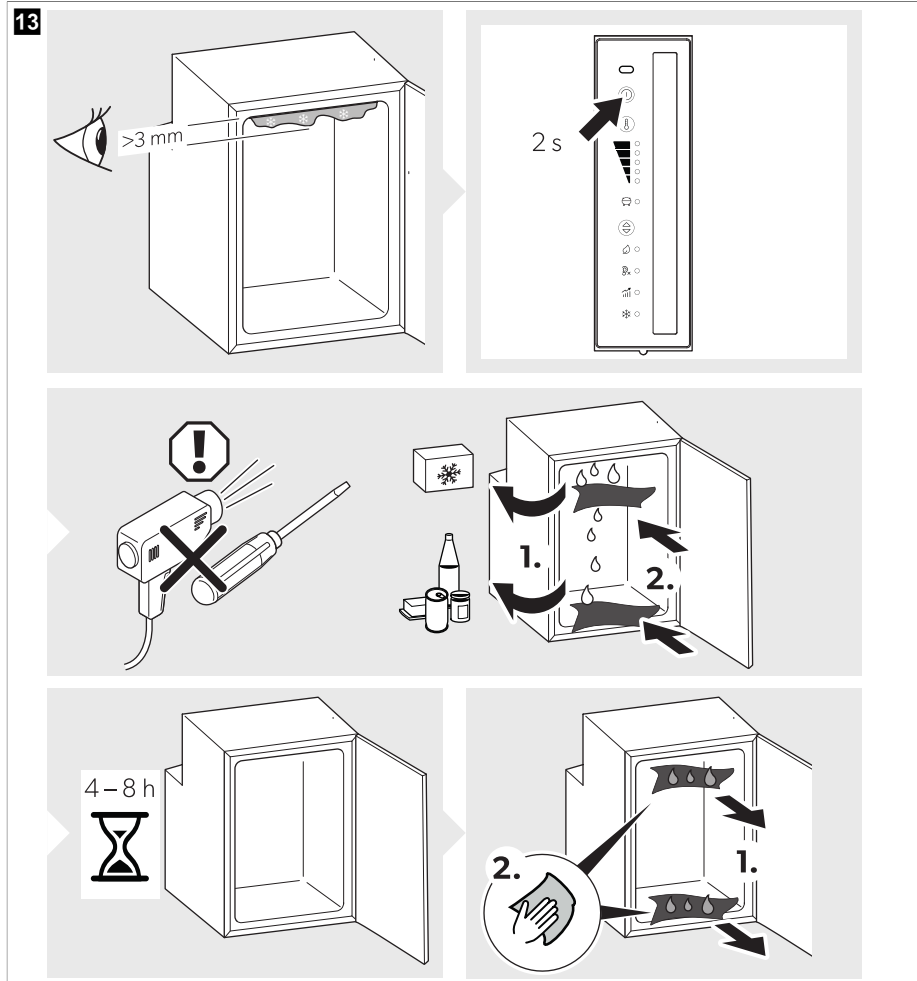
### **UWAGA! Ryzyko uszkodzenia**

Nie używać żadnych mechanicznych lub innych narzędzi w celu przyspieszenia procesu rozmrażania.



**WSKAZÓWKA** Z upływem czasu na tylnej ścianie wewnątrz lodówki osadza się szron. Gdy warstwa szronu osiągnie ok. 3 mm grubości, należy odszronić lodówkę.

> W celu odszronienia lodówki postępować w zilustrowany sposób.



### Ustawianie drzwi lodówki w położeniu przechowywania



#### **OSTROŻNIE! Ryzyko obrażeń**

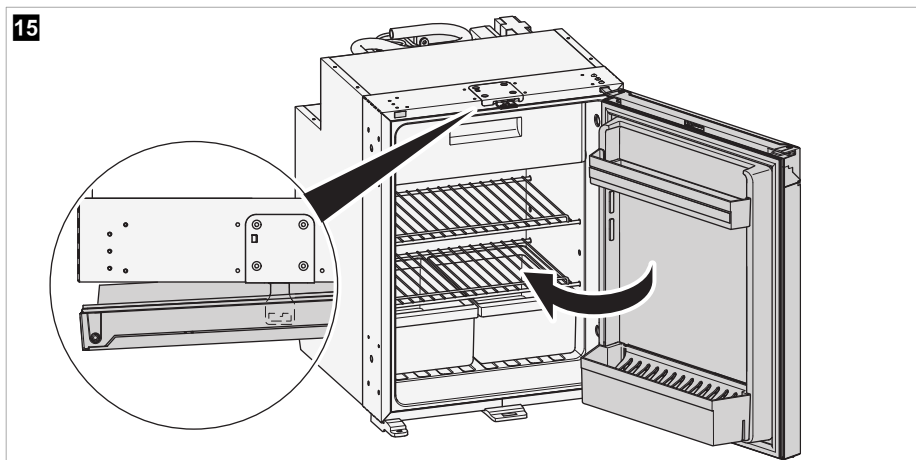
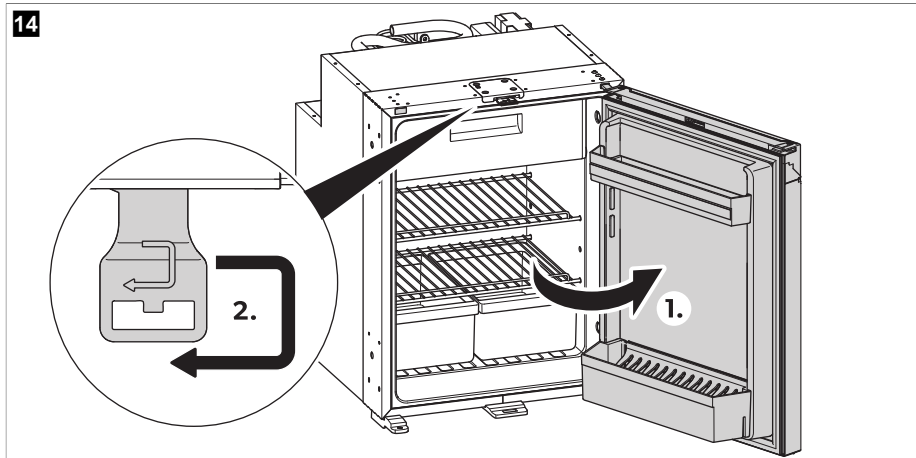
Położenia przechowywania nie można stosować podczas jazdy.



**WSKAZÓWKA** Jeśli lodówka nie będzie używana przez dłuższy czas, drzwi urządzenia należy ustawić w położeniu przechowywania. W ten sposób można zapobiec powstawaniu pleśni.

> Odszronić lodówkę (patrz Rozmrażanie lodówki na stronie 317).

- > Ustawić drzwi lodówki w położeniu przechowywania w zilustrowany sposób.

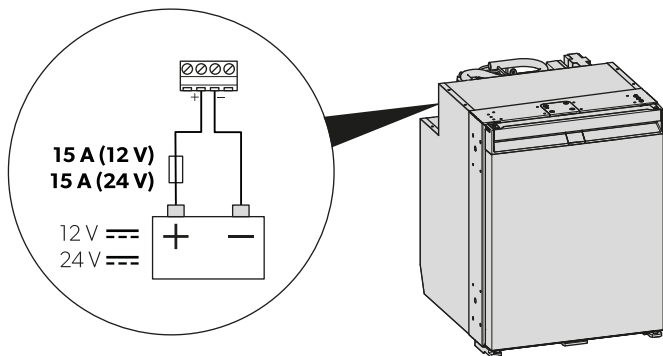



## 10 Usuwanie usterek



**WSKAZÓWKA** W celu umożliwienia bezpiecznej pracy urządzeń na 12 V w przyczepie kempingowej podczas jazdy należy upewnić się, że pojazd holujący dostarcza wystarczające napięcie. W niektórych pojazdach system zarządzania akumulatorem może automatycznie wyłączać zasilanie urządzeń w celu ochrony akumulatora pojazdu. Należy uzyskać odpowiednie informacje od producenta pojazdu.

16



| Usterka  | Możliwa przyczyna   | Proponowane rozwiązanie  |
|--|---|--|
| <p>Lodówka nie działa.</p>   | <p>Bezpiecznik w instalacji prądu stałego jest uszkodzony.</p>  | <p>&gt; Wymienić bezpiecznik (  rys. 16 na stronie 320).</p>  |
|  | <p>Bezpiecznik pojazdu przepalił się.</p>   | <p>&gt; Wymienić bezpiecznik pojazdu. Sposób postępowania opisany jest w instrukcji obsługi pojazdu.</p>   |
|  | <p>Akumulator pojazdu rozładował się.</p>   | <p>&gt; Sprawdzić i naładować akumulator pojazdu.</p>  |
|  | <p>Nie włączono zapłonu.</p>  | <p>&gt; Włączyć zapłon.</p>  |
|  | <p>Zbyt niska temperatura w obrębie sprężarki (&lt; 0 °C).</p>  | <p>&gt; Całkowicie zamknąć/zakryć wszystkie zewnętrzne kratki wentylacyjne za pomocą materiału izolującego.</p>  |
|  | <p>Lodówka automatycznie wyłącza się przy niewystarczającym napięciu. (napięcie wyłączenia: 10,4 V ⇒)</p> | <p>&gt; Naładować akumulator. Lodówka automatycznie ponownie uruchomi się. (napięcie włączenia: 11,7 V ⇒)</p>  |
| <p>Niewystarczające chłodzenie, wzrost temperatury wewnętrznej. Sprężarka pracuje bez przerwy.</p> | <p>Wentylacja agregatu jest niewystarczająca.</p>   | <p>&gt; Sprawdzić, czy kratka wentylacyjna nie jest zatkana.<br/>&gt; Przetawić lodówkę.</p>   |
|  | <p>Wewnętrzne ściany są oblodzone.</p>  | <p>&gt; Sprawdzić, czy drzwi lodówki zamykają się prawidłowo.<br/>&gt; Upewnić się, że uszczelka lodówki przylega prawidłowo i nie jest uszkodzona.<br/>&gt; Odszronić lodówkę (patrz Rozmrażanie lodówki na stronie 317).</p> |
|  | <p>Ustawiona jest zbyt wysoka temperatura.</p>  | <p>&gt; Ustawić niższą temperaturę.</p>  |
|  | <p>Zbyt wysoka temperatura otoczenia.</p>   | <p>&gt; Na krótki czas zdemontować kratkę wentylacyjną w celu umożliwienia szybszego ułotnienia się ciepłego powietrza.</p>  |
|  | <p>W lodówce umieszczono zbyt wiele żywności naraz.</p>   | <p>&gt; Usunąć część żywności.</p>   |

| Usterka   | Możliwa przyczyna  | Proponowane rozwiązanie  |
|---|--|--|
|   | Jednocześnie w lodówce umieszczono zbyt dużo ciepłego jedzenia.  | > Wyciągnąć ciepłą żywność i schłodzić ją przed umieszczeniem w lodówce.         |
|   | Lodówka nie pracuje wystarczająco długo.   | > Ponownie sprawdzić temperaturę po upływie 4 h / 5 h.                           |
|   | Skraplacz jest zanieczyszczony.  | > Wyczyścić skraplacz (patrz rozdział Czyszczenie i konserwacja na stronie 316). |
|   | Dmuchawa jest uszkodzona.  | > Należy skontaktować się z autoryzowanym centrum serwisowym.                    |
| Niewystarczające chłodzenie, wzrost temperatury wewnętrznej.<br>Sprężarka pracuje rzadko.                                     | Akumulator jest wyczerpany.  | > Naładować akumulator.  |
| Niewystarczające chłodzenie, wzrost temperatury wewnętrznej.<br>Sprężarka nie pracuje (podłączenie akumulatora).              | Przerwanie w przewodzie przyłączeniowym akumulator–elektronika.  | > Przywrócić połączenie.   |
|   | Uszkodzony wyłącznik główny (o ile jest zainstalowany).  | > Wymienić wyłącznik główny.   |
|   | Przepalony dodatkowy bezpiecznik zasilania (o ile jest zainstalowany).                                       | > Wymienić bezpiecznik zasilania.  |
|   | Za niskie napięcie akumulatora.  | > Naładować akumulator.  |
|   | Za małą pojemność akumulatora.   | > Wymienić akumulator.   |
|   | Poluzowane przewody.<br>Słabe przewodzenie styków (korozja).   | > Przywrócić połączenie.   |
|   | Za mały przekrój przewodów.  | > Wymienić przewód.  |
| Kompresor jest uszkodzony.  | > Należy skontaktować się z autoryzowanym centrum serwisowym.  |  |
| Niewystarczające chłodzenie, wzrost temperatury wewnętrznej.<br>Sprężarka nie pracuje (podłączenie do prądu przemiennego AC). | Przerwanie zasilania.  | > Przywrócić połączenie.   |
|   | Uszkodzony wyłącznik główny (o ile jest zainstalowany).  | > Wymienić wyłącznik główny.   |
|   | Przepalony dodatkowy bezpiecznik zasilania (o ile jest zainstalowany).                                       | > Wymienić bezpiecznik zasilania.  |
|   | Kompresor jest uszkodzony.   | > Należy skontaktować się z autoryzowanym centrum serwisowym.                    |
| Nietypowe odgłosy.  | Któryś z elementów obiegu chłodzenia nie może swobodnie się poruszać (dotyka ściany).                        | > Ostrożnie odgiąć element odprzeszkody.   |
|   | Zakleszczone ciało obce pomiędzy agregatem chłodniczym a ścianą.   | > Usunąć ciało obce.   |
|   | Głośnie praca wentylatora.   | > Należy skontaktować się z autoryzowanym centrum serwisowym.                    |
| Drzwi otwierają się przypadkowo w trakcie ruchu (np. podczas jazdy).  | Blokada drzwi jest ustawiona w położeniu <b>A</b> (patrz rozdział Regulowanie blokady drzwi na stronie 308). | > Ustawić blokadę drzwi w położeniu <b>B</b> .                                   |

| Usterka                           | Możliwa przyczyna   | Proponowane rozwiązanie   |
|-----------------------------------|---|---|
| Drzwi nie zamykają się poprawnie. | Blokada drzwi jest ustawiona w położeniu <b>A</b> (patrz rozdział Regulowanie blokady drzwi na stronie 308).  | > Ustawić blokadę drzwi w położeniu <b>B</b> .                          |
|                                   | Blokada drzwi jest ustawiona w położeniu <b>B</b> (patrz rozdział Regulowanie blokady drzwi na stronie 308), ale drzwi nie są prawidłowo zablokowane. | > Upewnić się, że drzwi podczas zamykania zostały prawidłowo domknięte. |

## Sygnalizacja błędów



### WSKAZÓWKA

- > Wszystkie błędy sygnalizowane są poprzez miganie kontrolki na pomarańczowo (patrz Elementy obsługowe i wskaźniki na stronie 307). Liczba mignięć zależy od rodzaju błędu. Każde impuls świetlny trwa jedną czwartą sekundy. Po serii mignięć następuje przerwa. Sekwencja sygnalizująca błąd jest powtarzana co cztery sekundy.
- > W trybach ECO, WYSOKIEJ WYDAJNOŚCI i ZAMRAŻARKI dodatkowo rozbrzmiewa krótki sygnał dźwiękowy.

| Częstotliwość migania | Error                                 | Możliwa przyczyna  |
|-----------------------|---------------------------------------|--|
| 1                     | Zbyt niskie lub zbyt wysokie napięcie | Napięcie zasilające znajduje się poza ustawionym zakresem.   |
| 2                     | Prąd przetężeniowy wentylatora        | Wentylator obciąża jednostkę elektroniki natężeniem wynoszącym ponad 1 A.  |
| 3                     | Silnik nie uruchamia się              | Wirnik jest zablokowany.<br>Różnica ciśnień w obiegu chłodzenia jest za wysoka.  |
| 4                     | Za mała liczba obrotów                | Jeżeli układ chłodzenia jest przeciążony, nie jest możliwe utrzymanie minimalnej prędkości obrotowej silnika.            |
| 5                     | Przegrzanie zespołu elektronicznego   | W przypadku zbyt silnie obciążonego systemu chłodzenia lub zbyt wysokiej temperatury elektronika za bardzo się nagrzewa. |
| Stale                 | Błędy czujnika temperatury            | Czujnik temperatury jest uszkodzony.   |

## 11 Gwarancja

Obowiązuje ustawowy okres gwarancji. W przypadku stwierdzenia uszkodzenia produktu należy zwrócić się do oddziału producenta w danym kraju (patrz [dometic.com/dealer](http://dometic.com/dealer)) lub do sprzedawcy produktu.

W celu naprawy lub rozpatrzenia gwarancji konieczne jest przesłanie następujących dokumentów:

- Kopii rachunku z datą zakupu
- Informacji o przyczynie reklamacji lub opisu wady

Uwaga: samodzielne lub nieprofesjonalne wykonywanie napraw może negatywnie wpływać na bezpieczeństwo i prowadzić do utraty gwarancji.



## 12 Utylizacja



### UWAGA! Ryzyko uszkodzenia

Izolacja tego urządzenia chłodniczego zawiera palny cyklopentan, przez co wymaga ono specjalnej procedury utylizacyjnej. Po zaprzestaniu jego dalszej eksploatacji urządzenie chłodnicze należy dostarczyć do specjalistycznego zakładu utylizacyjnego.



Opakowanie należy wyrzucić do odpowiedniego pojemnika na odpady do recyklingu. Szczegółowe informacje na temat utylizacji produktu zgodnie z obowiązującymi przepisami można uzyskać w lokalnym zakładzie recyklingu lub u wyspecjalizowanego sprzedawcy. Europa: Produkt można zutylizować nieodpłatnie.

## 13 Dane techniczne

Deklarację zgodności urządzenia można znaleźć na stronie produktu pod adresem: [dometic.com](http://dometic.com) lub skontaktować się bezpośrednio z producentem (patrz [dometic.com/dealer](http://dometic.com/dealer)).

Urządzenie to jest zgodne z regulaminem nr 10 EKG ONZ.

|  | NRX0035(E/C/S) | NRX0050(E/C/S)           | NRX0060(E/C/S) |
|--|----------------|--------------------------|----------------|
| Pojemność  |                |                          |                |
| • Komora lodówki (tylko NRX0035–0130[C/S])         | 27,3 L         | 39,6 L                   | 48,9 L         |
| • Zamrażalnik: (tylko NRX0035–0130[C/S])           | 4,4 L          | 4,4 L                    | 6,1 L          |
| • Całkowita pojemność                              | 32 L           | 44 L                     | 55 L           |
| • Całkowita pojemność (z wyjątkiem komory mroźnej) | 34 L           | 46 L                     | 58 L           |
| Napięcie zasilania                                 |                | 12 / 24 V $\overline{=}$ |                |
| Zabezpieczenie akumulatora zasilającego ( 12 V )   |                |                          |                |
| • Napięcie wyłączenia                              |                | 10,4 V                   |                |
| • Napięcie ponownego włączenia                     |                | 11,7 V                   |                |
| Zabezpieczenie akumulatora zasilającego ( 24 V )   |                |                          |                |
| • Napięcie wyłączenia                              |                | 22,8 V                   |                |
| • Napięcie ponownego włączenia                     |                | 24,2 V                   |                |
| Klasa klimatyczna                                  |                | T                        |                |
| Zakres temperatury przechowywania:                 |                |                          |                |
| • Lodówka  |                | 0 °C ... 12 °C           |                |
| • Zamrażalnik: (tylko NRX0035–0130[C/S])           |                | -15 °C ... -5 °C         |                |
| • Tryb zamrażarki (tylko NRX0035–0130[C/S])        |                | -6 °C                    |                |

|   | <b>NRX0035(E/C/S)</b>   | <b>NRX0050(E/C/S)</b>     | <b>NRX0060(E/C/S)</b>    |
|---|---|---------------------------|--------------------------|
| Temperatura otoczenia podczas eksploatacji      | 16 °C ... 43 °C   |                           |                          |
| Czynnik chłodniczy                              | R134a   |                           |                          |
| Ilość czynnika chłodniczego                     | 24 g  | 26 g                      | 30 g                     |
| Ekwiwalent CO2                                  | 0,034 t   | 0,037 t                   | 0,043 t                  |
| Potencjał tworzenia efektu cieplarnianego (GWP) | 1430  |                           |                          |
| Emisja hałasu (EN 60704)                        | 40 ... 45 dB(A)   |                           |                          |
| Wymiary (wys. x szer. x gł.)                    | 525 × 380 × 355 mm<br>(bez sprężarki i elementu dystansowego)<br><br>525 mm × 380 mm × 480 mm<br>(ze sprężarką i elementem dystansowym) | 525 mm × 380 mm × 510 mm  | 525 mm × 448 mm × 537 mm |
| Masa netto                                      | E: 13,5 kg<br>C, S: 16 kg   | E: 14,5 kg<br>C, S: 17 kg | E: 16 kg<br>C, S: 17 kg  |
| Maksymalne obciążenie                           |   |                           |                          |
| • Pojedyncza półka drzwiowa                     | 4 kg  | 4 kg                      | 5 kg                     |
| • Całe drzwi                                    | E: 4 kg<br>C/S: 8 kg  | E: 4 kg<br>C/S: 8 kg      | E: 5 kg<br>C/S: 10 kg    |

|  | <b>NRX0080(E/C/S)</b> | <b>NRX0115(E/C/S)</b> | <b>NRX0130(E/C/S)</b> |
|--|-----------------------|-----------------------|-----------------------|
| Pojemność  |                       |                       |                       |
| • Komora lodówki (tylko NRX0035 – 0130[C/S])     | 68,4 L                | 104,5 L               | 118 L                 |
| • Zamrażalnik (tylko NRX0035 – 0130[C/S])        | 6,6 L                 | 8,2 L                 | 8,2 L                 |
| • Całkowita pojemność                            | 75 L                  | 113 L                 | 126 L                 |
| • Całkowita pojemność (z wyjątką komorą mrozną)  | 78 L                  | 116 L                 | 130 L                 |
| Napięcie zasilania                               | 12 / 24 V==           |                       |                       |
| Zabezpieczenie akumulatora zasilającego ( 12 V ) |                       |                       |                       |
| • Napięcie wyłączenia                            |                       | 10,4 V                |                       |
| • Napięcie ponownego włączenia                   |                       | 11,7 V                |                       |
| Zabezpieczenie akumulatora zasilającego ( 24 V ) |                       |                       |                       |
| • Napięcie wyłączenia                            |                       | 22,8 V                |                       |

|   | NRX0080(E/C/S)          | NRX0115(E/C/S)          | NRX0130(E/C/S)          |
|---|-------------------------|-------------------------|-------------------------|
| • Napięcie ponownego włączenia                  | 24,2 V                  |                         |                         |
| Klasa klimatyczna                               | T                       |                         |                         |
| Zakres temperatury przechowywania               |                         |                         |                         |
| • Lodówka                                       | 0 °C ... 12 °C          |                         |                         |
| • Zamrażalnik (tylko NRX0035-0130[C/S])         | -15 °C ... -5 °C        |                         |                         |
| • Tryb zamrażarki (tylko NRX0035-0130C/S)       | -6 °C                   |                         |                         |
| Temperatura otoczenia podczas eksploatacji      | 16 °C ... 43 °C         |                         |                         |
| Czynnik chłodniczy                              | R134a                   |                         |                         |
| Ilość czynnika chłodniczego                     | 32 g                    | 40 g                    | 40 g                    |
| Ekwiwalent CO2                                  | 0,046 t                 | 0,057 t                 | 0,057 t                 |
| Potencjał tworzenia efektu cieplarnianego (GWP) | 1430                    |                         |                         |
| Emisja hałasu (EN 60704)                        | 40 ... 45 dB(A)         |                         |                         |
| Wymiary (wys. x szer. x gł.)                    | 625 × 475 × 537 mm      | 745 × 525 × 568 mm      | 812 × 525 × 568 mm      |
| Masa netto                                      | C, S: 20 kg<br>E: 18 kg | C, S: 26 kg<br>E: 24 kg | C, S: 27 kg<br>E: 25 kg |
| Maksymalne obciążenie                           |                         |                         |                         |
| • Pojedyncza półka drzwiowa                     | 5 kg                    | 6 kg                    | 6 kg                    |
| • Całe drzwi                                    | 10 kg                   | E: 12 kg<br>C/S: 18 kg  | E: 12 kg<br>C/S: 18 kg  |

## 14 Dane techniczne

Deklarację zgodności urządzenia można znaleźć na stronie produktu pod adresem: [dometic.com](http://dometic.com) lub skontaktować się bezpośrednio z producentem (patrz [dometic.com/dealer](http://dometic.com/dealer)).

Urządzenie to jest zgodne z regulaminem nr 10 EKG ONZ.

|  | NRX0090V |
|--|----------|
| Pojemność  |          |
| • Komora chłodząca                                 | 79 L     |
| • Komora mroźna                                    | 8,4 L    |
| • Całkowita pojemność                              | 87 L     |
| • Całkowita pojemność (z wyjątkiem komory mroźnej) | 92 L     |

|   | <b>NRX0090V</b>          |
|---|--------------------------|
| Napięcie zasilania                              | 12 / 24 V <sup>==</sup>  |
| Zabezpieczenie akumulatora zasilającego (12 V)  |                          |
| • Napięcie wyłączenia                           | 10,4 V                   |
| • Napięcie ponownego włączenia                  | 11,7 V                   |
| Zabezpieczenie akumulatora zasilającego (24 V)  |                          |
| • Napięcie wyłączenia                           | 22,8 V                   |
| • Napięcie ponownego włączenia                  | 24,2 V                   |
| Zużycie energii                                 | 0,35 kWh / 24 h          |
| Klasa klimatyczna                               | T                        |
| Zakres temperatury przechowywania               |                          |
| • Lodówka                                       | 0 °C ... 15 °C           |
| • Komora mroźna                                 | -12 °C ... -5 °C         |
| • Tryb zamrażarki                               | -5 °C ± 2 °C             |
| Temperatura otoczenia podczas eksploatacji      | 16 °C ... 43 °C          |
| Czynnik chłodniczy                              | R600a                    |
| Ilość czynnika chłodniczego                     | 22 g                     |
| Ekwiwalent CO <sub>2</sub>                      | 0,000 t                  |
| Potencjał tworzenia efektu cieplarnianego (GWP) | 3                        |
| Emisja hałasu (EN60704)                         |                          |
| • Tryb WYSOKIEJ WYDAJNOŚCI                      | < 40 dB(A)               |
| • Tryb CICHY                                    | 37 dB(A)                 |
| Wymiary (wys. x szer. x gł.)                    | 821 mm × 486 mm × 480 mm |
| Masa netto                                      | 22 kg                    |

## Slovensky

|    |                                    |     |
|----|------------------------------------|-----|
| 1  | Dôležité oznámenia.....            | 327 |
| 2  | Vysvetlenie symbolov.....          | 327 |
| 3  | Bezpečnostné pokyny.....           | 328 |
| 4  | Rozsah dodávky.....                | 330 |
| 5  | Príslušenstvo.....                 | 331 |
| 6  | Používanie v súlade s určením..... | 332 |
| 7  | Technický opis.....                | 332 |
| 8  | Obsluha.....                       | 335 |
| 9  | Čistenie a údržba.....             | 343 |
| 10 | Odstraňovanie porúch.....          | 346 |
| 11 | Záruka.....                        | 349 |
| 12 | Likvidácia.....                    | 349 |
| 13 | Technické údaje.....               | 350 |
| 14 | Technické údaje.....               | 352 |

## 1 Dôležité oznámenia

Dôkladne si prečítajte tento návod a dodržiavajte všetky pokyny, usmernenia a varovania uvedené v tomto návode k výrobku, aby bolo zaručené, že výrobok bude vždy správne nainštalovaný, používaný a udržiavaný. Tento návod **MUSÍ** zostať priložený k výrobku.

Používaním tohto výrobku týmto potvrdzujete, že ste si dôkladne prečítali všetky pokyny, usmernenia a varovania a že rozumiete a súhlasíte s dodržiavaním všetkých uvedených podmienok. Súhlasíte, že tento výrobok budete používať iba v súlade so zamýšľaným použitím a v súlade s pokynmi, usmerneniami a varovaniami uvedenými v tomto návode k výrobku, ako aj v súlade so všetkými platnými zákonmi a nariadeniami. V prípade, že si neprečítate a nebudete sa riadiť pokynmi a varovaniami uvedenými v tomto návode, môže mať za následok vaše poranenie alebo poranenie iných osôb, poškodenie vášho výrobku alebo poškodenie majetku v jeho blízkosti. Tento návod na obsluhu výrobku vrátane pokynov, usmernení a varovaní, a súvisiaca dokumentácia môže podliehať zmenám a aktualizáciám. Najaktuálnejšie informácie o výrobku nájdete na adrese [documents.dometic.com](http://documents.dometic.com).

## 2 Vysvetlenie symbolov

Signálne slovo identifikuje bezpečnostné správy a správy o škodách na majetku a tiež označuje stupeň alebo úroveň závažnosti nebezpečenstva.



### NEBZPEČENSTVO!

Označuje nebezpečnú situáciu, ktorej následkom je smrť alebo vážne zranenie, ak sa jej nezabráni.



### VÝSTRAHA!

Označuje nebezpečnú situáciu, ktorej následkom môže byť smrť alebo vážne zranenie, ak sa jej nezabráni.



### UPOZORNENIE!

Označuje nebezpečnú situáciu, ktorej následkom môže byť malé alebo stredne ťažké zranenie, ak sa jej nezabráni.



### POZOR!

Označuje situáciu, ktorej následkom môže byť poškodenie majetku, ak sa jej nezabráni.



**POZNÁMKA** Dopĺňujúce informácie týkajúce sa obsluhy produktu.

## 3 Bezpečnostné pokyny

### Základy bezpečnosti



#### **VÝSTRAHA! Nebezpečenstvo zásahu elektrickým prúdom**

- > Montáž a demontáž chladničky smú vykonávať len kvalifikovaní pracovníci.
- > Inštaláciu do vlhkých priestorov a oblastí, ktoré sú vystavené pôsobeniu vody, prenechajte výlučne odborníkovi.
- > Ak chladničku inštalujete pod prístreškom alebo v podobnom prostredí, uistite sa, že je chránená pred dažďom a striekajúcou vodou.
- > Ak chladnička vykazuje viditeľné poškodenia, nesmiete ju uviesť do prevádzky.
- > Opravy na tejto chladničke smú vykonávať len kvalifikovaní odborníci. Neodbornými opravami môžu vzniknúť značné nebezpečenstvá príp. poškodenia chladničky.
- > Ak je pripájací kábel tejto chladničky poškodený, musí ho vymeniť výrobca, jeho zákaznícky servis alebo iná kvalifikovaná osoba, aby sa predišlo ohrozeniam.
- > Pri umiestňovaní chladničky sa ubezpečte, že napájací kábel nie je zachytený alebo poškodený.
- > Neumiestňujte žiadne viacnásobné prenosné zásuvky alebo prenosné napájacie adaptéry na zadnú stranu chladničky.
- > Nikdy sa nedotýkajte holými rukami obnažených vodičov.
- > Zariadenie pripájajte do zásuviek, ktoré zaručia správne pripojenie, najmä vtedy, keď je zariadenie potrebné uzemniť.
- > Ak je zariadenie napájané z elektrickej siete, zabezpečte sa, že zdroj napájania je vybavený prúdovým chráničom s ističom (RCCB) alebo prerušovačom obvodu (GFCI). Inštaláciu je nutné vykonávať v súlade so všetkými platnými predpismi, najmä v potenciálne vlhkých priestoroch.



#### **VÝSTRAHA! Nebezpečenstvo požiaru**

- > Chladiaci okruh obsahuje malé množstvo ekologického, chladiva. Nenarúša ozónovú vrstvu a neprispieva k zvyšovaniu skleníkového efektu. Uniknuté chladiace médium sa môže vznietiť.
- > Chladničku nepoužívajte ani neskladujte v stiesnených priestoroch so žiadnym alebo minimálnym prúdením vzduchu.
- > V montážnom výklenku pre chladničku sa nesmú nachádzať žiadne elektrické súčasti a zdroje svetla, ktoré počas normálnej alebo abnormálnej prevádzky vytvárajú iskry alebo oblúky (napr. relé alebo poistkové skrinky).
- > Izolácia chladničky obsahuje horľavý cyklopentán a vyžaduje si špeciálne postupy pri likvidácii. Po uplynutí životnosti odovzdajte chladničku do príslušného recyklačného strediska.



#### **VÝSTRAHA! Nebezpečenstvo výbuchu**

V chladničke neuskladňujte látky, pri ktorých hrozí nebezpečenstvo výbuchu, napr. sprejové nádoby s horľavým hnacím plynom.



#### **VÝSTRAHA! Nebezpečenstvo ohrozenia zdravia**

- > Túto chladničku smú používať deti od 8 rokov a osoby so zníženými psychickými, zmyslovými alebo mentálnymi schopnosťami a vedomosťami, keď sú pod dozorom alebo keď boli poučené o bezpečnom používaní zariadenia a chápu, aké riziká z toho vyplývajú.
- > Deti vo veku od 3 do 8 rokov smú nakladať a vykladať chladničku.
- > Čistenie a bežnú údržbu nesmú vykonávať deti bez dozoru.
- > Dohládzajte na to, aby sa deti nehrali s chladničkou.

**VÝSTRAHA! Riziko uväznenia dieťaťa**

- > Postarajte sa, aby police boli namontované a zaistené, takže deti sa nebudú môcť zavrieť v chladničke.
- > Pred likvidáciou vašej starej chladničky:
  - Demontujte zásuvky.
  - Nechajte zásuvky v chladničke, aby deti nemohli vojsť dnu.
- > Vyveste dvere.

**UPOZORNENIE! Nebezpečenstvo ohrozenia zdravia**

- > Chladnička musí byť upevnená podľa pokynov v návode, aby sa zabránilo ohrozeniu následkom jej nestability.
- > Udržujte vetracie otvory na chladničke, v kryte chladničky alebo vo vstavanej konštrukcii bez prekážok.
- > Nepoužívajte mechanické prostriedky alebo iné prostriedky na urýchlenie proces odmravovania, než tie, ktoré odporúča výrobca.
- > Chladiaci okruh v žiadnom prípade neotvárajte ani nepoškodte.
- > Nepoužívajte v chladničke žiadne elektrické zariadenia, okrem prípadu, keď výrobca odporúča používanie týchto zariadení takýmto spôsobom.

**UPOZORNENIE! Nebezpečenstvo poranenia**

- > Nepoužívajte ani neskladujte horľavé materiály v tejto chladničke alebo v jej blízkosti.
- > Neumiestňujte predmety na chladničku alebo pred chladničku.
- > Túto chladničku neupravujte.

**POZOR! Nebezpečenstvo poškodenia**

- > Prevádzku na jednosmerný prúd zvolte len vtedy, keď beží motor vozidla a dodáva dostatočné napätie alebo ak používate monitor batérie.
- > Ak je prítomný odtok kondenzovanej vody, udržiavajte ho vždy čistý.
- > Ak má chladnička vetracie mriežky, pri čistení vozidla nepoužívajte v priestore vetracej mriežky žiadny vysokotlakový čistič.
- > Chladničku kanvicu nevystavujte dažďu.
- > Konektor nikdy nevytiahujte zo zásuvky za kábel.

**Bezpečnosť pri prevádzke chladničky****NEBEZPEČENSTVO! Nebezpečenstvo zásahu elektrickým prúdom**

Pred uvedením chladničky do prevádzky dbajte na to, aby elektrický kábel a zástrčka boli suché.

**UPOZORNENIE! Nebezpečenstvo ohrozenia zdravia**

- > Postarajte sa, aby sa v chladničke nachádzal len tovar, ktorý sa môže chladieť na zvolenú teplotu.
- > Pravidelne čistste povrchy, ktoré môžu prísť do kontaktu s potravinami a prístupnými systémami na odvádzanie kondenzátu.
- > Surové mäso a ryby uchovávajte vo vhodných nádobách v chladničke tak, aby neboli v kontakte s inými potravinami ani na ne nekvapkali.
- > Otvorenie dverí na dlhšiu dobu môže spôsobiť výrazné zvýšenie teploty v priehradkách chladničky. Ak chladničku ponecháte prázdnu na dlhú dobu:
  - Vypnite chladničku.
  - Rozmrazte chladničku.
  - Chladničku vyčistite a usušte.

- Nechajte dverka otvorené, aby ste zabránili tvorbe plesní vnútri chladničky. Ak sú k dispozícii, umiestnite dvere chladničky a dverka mrazničky do zimnej polohy.



#### UPOZORNENIE! Nebezpečenstvo poranenia

- > Nesiahajte do závesu.
- > Pred jazdou zatvorte a zamknite dvere chladničky.
- > Chladiaci systém na zadnej strane chladničky je počas prevádzky veľmi horúci. Ak je chladnička vybavená vetracími mriežkami, pri ich odstraňovaní sa chráňte pred kontaktom s horúcimi časťami.
- > Dvere zariadenia alebo mrazničky sa môžu úplne odpojiť od zariadenia, ak sa nepoužívajú správne. Dvere pritlačením zatvorte, až kým nebudete počuť zreteľné kliknutie na vrchu a na spodku.



#### POZOR! Nebezpečenstvo poškodenia

- > Neopierajte sa o otvorené dvere chladničky.
- > Ťažké predmety ako fľaše alebo plechovky ukladajte výlučne do dverí chladničky, do zásuvky na zeleninu alebo na spodný nosný rošt.
- > Ak má chladnička obojstranné dvere a dvere nie sú správne zaistené na opačnej strane, opatrne zatlačte na vrch a spodok dverí na danej strane, kým dvere nezapadnú na miesto.
- > **Nebezpečenstvo prehriatia!** Dbajte na to, aby sa teplo, ktoré vzniká pri prevádzke, mohlo dostatočne odvádzať. Zabezpečte, aby sa chladnička nachádzala v dostatočnej vzdialenosti od stien alebo predmetov, a bola tak zaručená cirkulácia vzduchu.
- > Do vnútra neplňte žiadne kvapaliny alebo ľad.
- > Chráňte chladničku a káble pred vysokými teplotami a mokrom.
- > Konektor nikdy nevyťahujte zo zásuvky za kábel.



#### POZNÁMKA

- > Ak systém správy batérie vypne chladničku na účely ochrany batérie, obráťte sa na výrobcu vozidla.
- > Pri teplotách okolia 15 °C ... 25 °C zvolte nastavenie priemernej teploty.
- > Ak dvere nie sú správne zaistené na opačnej strane, opatrne zatlačte na vrch a spodok dverí na danej strane, kým dvere nezapadnú na miesto.
- > Dodržte nasledujúce body, aby ste predišli plynutiu potravinami:
  - Zabráňte kolísaniu teploty v čo najväčšej možnej miere. Mrazničku otvárajte iba tak často a na takú dobu, ako je nevyhnutné. Skladujte potraviny tak, aby vzduch stále mohol dobre cirkulovať.
  - Postarajte sa, aby sa v chladničke nachádzal len tovar, ktorý sa môže chladieť na zvolenú teplotu.
  - Skladujte rôzne druhy potravín, ako je znázornené na obrázkoch.
  - Ak je možné prispôbiť teplotu: Prispôbte teplotu množstvu a druhu potravín.
  - Potraviny dokážu ľahko absorbovať alebo uvoľňovať pachy či chute. Potraviny vždy skladujte zakryté alebo v uzavretých nádobách/fľašiach.

## 4 Rozsah dodávky

| Počet | Opis                          |
|-------|-------------------------------|
| 1     | Kompresorová chladnička       |
| 1     | Odtokový obľúk                |
| 1     | Krátky návod na obsluhu       |
| 1     | Návod na obsluhu (iba online) |
| 1     | Návod na montáž               |



## 5 Príslušenstvo

Dostupné ako príslušenstvo (nie je súčasťou dodávky):

| Opis   | Č. výr.    |
|--|------------|
| Posuvný doraz dverí                              | 9620012939 |
| Upevňovací rám vrátane spodného rámu             |            |
| • NRX0035, NRX0050                               | 9620012877 |
| • NRX0060  | 9620012881 |
| • NRX0080  | 9620012882 |
| • NRX0115  | 9620012878 |
| • NRX0130  | 9620012876 |
| Upevňovací rám vrátane spodného rámu (čierny)    |            |
| • NRX0035, NRX0050                               | 9620012874 |
| • NRX0060  | 9620012875 |
| • NRX0080  | 9620012880 |
| • NRX0115  | 9620012879 |
| • NRX0130  | 9620012883 |
| Náhradná polica za vytiahnuté mraziace oddelenie |            |
| • NRX0035, NRX0050                               | 9620012933 |
| • NRX0060  | 9620012938 |
| • NRX0080  | 9620012935 |
| • NRX0115, NRX0130                               | 9620012932 |
| Mraziace oddelenie                               |            |
| • NRX0035, NRX0050                               | 9620012931 |
| • NRX0060  | 9620012936 |
| • NRX0080  | 9620012934 |
| • NRX0115, NRX0130                               | 9620012937 |

| Opis          | Č. výr.         |
|---------------|-----------------|
| Adaptér AC/DC | 9620013449 (EU) |
|               | 9620013450 (UK) |

## 6 Používanie v súlade s určením

Chladnička je určená na:

- Montáž do karavanov, obytných vozidiel, člnov a kamiónov
- chladenie a skladovanie potravín
- **Iba model NRX0035–0130(C/S):** Skladovanie predmrazených potravín
- Použitie v interiéri

Táto chladnička nie je určená pre komerčné použitie, použitie v maloobchode alebo domácnostiach.

Chladnička **nie je** vhodná na:

- skladovanie liekov,
- skladovanie korozívnych látok alebo látok s obsahom rozpúšťadiel,
- rýchle zmrazovanie jedla.
- použitie v exteriéri

Pri použití v člnoch musí byť zariadenie namontované v dennej miestnosti a nie na otvorenej palube.

Mraziaca priehradka je vhodná na uskladnenie predmrazených potravín, uskladnenie alebo výrobu zmrzliny a výrobu kociek ľadu. Nie je vhodný na zmrazovanie už rozmrazených potravín.

Chladnička je určená na montáž do skrinky alebo do montážneho výklenku.

Optimálny chladiaci výkon je zabezpečený pri teplote okolia 16 °C ... 43 °C a pri maximálnej vlhkosti 90 % .

Tento výrobok je vhodný iba na určené použitie a použitie v súlade s týmto návodom.

Tento návod obsahuje informácie, ktoré sú nevyhnutné pre správnu inštaláciu a/alebo obsluhu výrobku. Chybná inštalácia a/alebo nesprávna obsluha či údržba bude mať za následok neuspokojivý výkon a možnú poruchu.

Výrobca nenesie žiadnu zodpovednosť za akékoľvek poranenia či škody na výrobku spôsobené:

- nesprávnou inštaláciou alebo pripojením vrátane nadmerného napätia
- nesprávnou údržbou alebo použitím iných ako originálnych náhradných dielov poskytnutých výrobcom
- Zmeny produktu bez výslovného povolenia výrobcu
- Použitie na iné účely než na účely opísané v návode

Firma Dometic si vyhradzuje právo na zmenu vzhľadu a technických parametrov výrobku.

## 7 Technický opis

Chladnička je kompresorová chladnička.

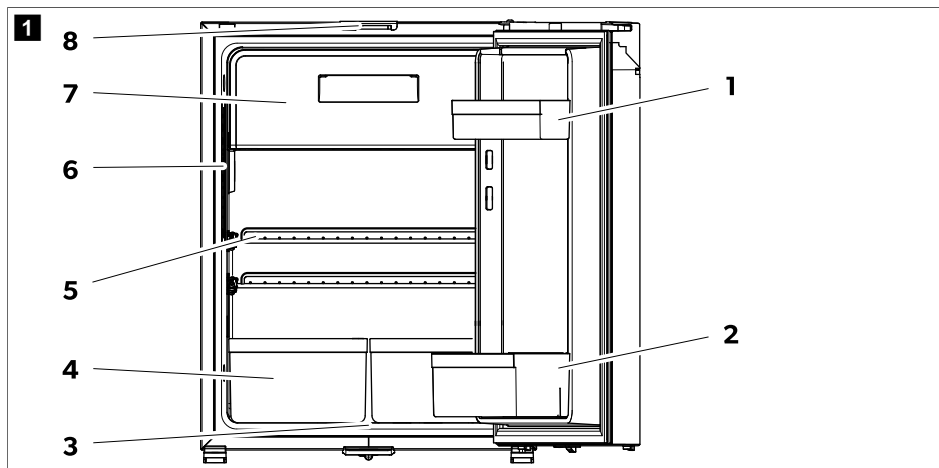
Chladnička je navrhnutá na prevádzku s rôznymi druhmi energie a dá sa prevádzkovať na jednosmerný alebo striedavý prúd.

NRX0035–0130(C/S): Model je z výroby vybavený mraziacim oddelením, ktoré sa môže vybrať a znovu vložiť.

Dvere chladničky sú vybavené západkovým mechanizmom, ktorý slúži aj ako prepravná poistka.

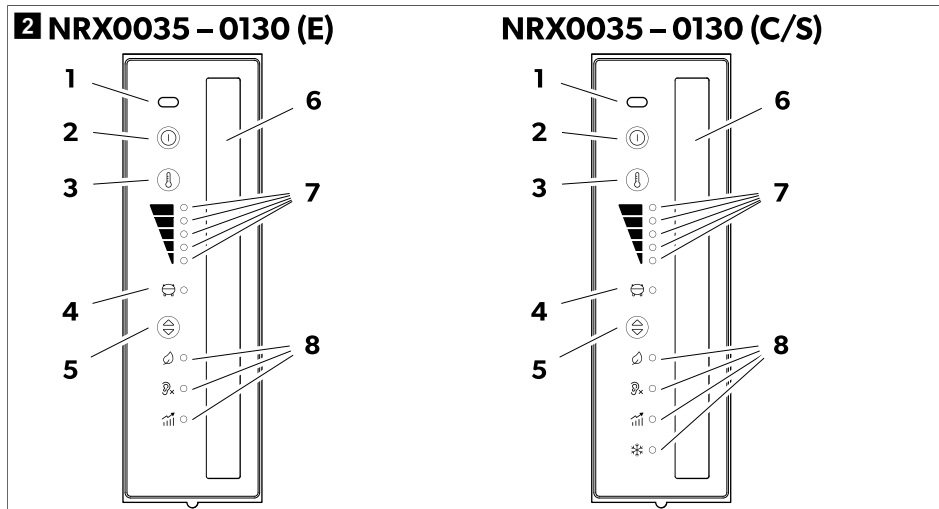
Všetky materiály, použité v chladiacom zariadení, sú vhodné na to, aby prichádzali do styku s potravinami.






## Opis zariadenia



| Č. | Vysvetlenie  |
|----|--|
| 1  | Dverová polica (iba modely NRX0035-0130[C/S], NRX0080-0130[E]) |
| 2  | Polica na fľaše  |
| 3  | Odtok kondenzátu   |
| 4  | Priečnik na ovocie a zeleninu (iba model NRX0035-0130[C/S])    |
| 5  | Polica   |
| 6  | Ovládací panel s displejom                                     |
| 7  | Mraziaca priehradka (iba model NRX0035 - 0130[C/S])            |
| 8  | Dverová západka pre vetranie                                   |

## Ovládacie a indikačné prvky



| Č. | Vysvetlenie   |
|----|---|
| 1  | ÍČ snímač otvorenia dverí   |
| 2  | Ⓞ Tlačidlo Zap./Vyp.  |
| 3  | Ⓜ Tlačidlo nastavenia chladiaceho výkonu  |
| 4  | Signalizačná LED dióda kompresora a chyby   |
| 5  | Ⓢ Tlačidlo prevádzkového režimu   |
| 6  | Osvetlenie vnútorného priestoru   |
| 7  | Signalizačné LED diódy chladiaceho výkonu   |
|    |  Chladiaci výkon 5  |
|    |  Chladiaci výkon 4 |
|    |  Chladiaci výkon 3 |
|    |  Chladiaci výkon 2 |
|    |  Chladiaci výkon 1 |
| 8  | Signalizačné LED diódy prevádzkového režimu   |





## Signalizačná LED dióda kompresora a chyby

Signalizačná LED dióda kompresora a chyby signalizuje prevádzkový stav kompresora alebo indikuje chybu:

| Color            | Opis  |
|------------------|---|
| Biela            | Kompresor zapnutý                                       |
| Oranžová         | Kompresor vypnutý                                       |
| Oranžová (bliká) | Chyba (pozri kapitolu Signalizácia chyby na strane 349) |

## Signalizačné LED diódy prevádzkového režimu

Signalizačné LED diódy prevádzkového režimu signalizujú nasledujúce nastavené možnosti:

| Symbol  | Opis   |
|---|--|
|  | Režim ECO:<br>Prevádzka so zníženou spotrebou energie.<br>Chladiaci výkon 1 – 3  |
|  | Režim QUIET:<br>Prevádzka so zníženou hladinou hluku.<br>Chladiaci výkon 1 – 4   |
|  | Režim PERFORMANCE:<br>Chladiaci výkon 1 – 5  |
|  | Režim FREEZER (iba model NRX0035–0130[C/S]):<br>Prevádzka s vytiahnutím mraziacim oddelením. Schladí úplne celý interier chladničky na –6 °C . |

## 8 Obsluha

### 8.1 Pred prvým použitím

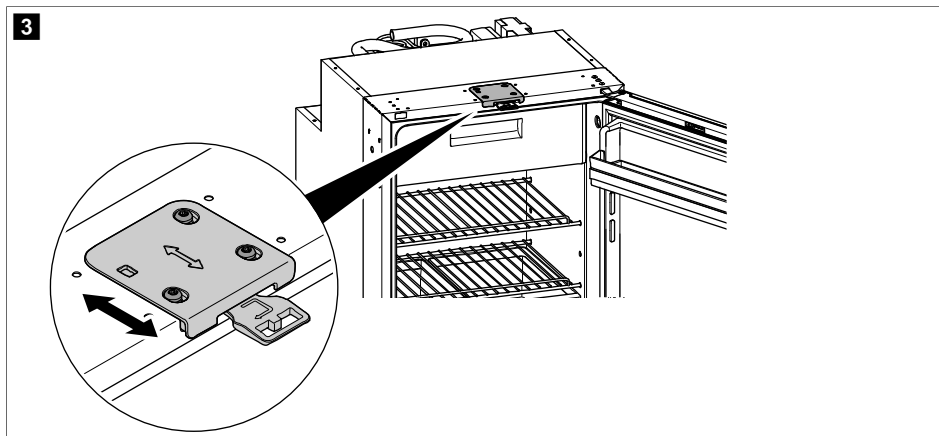


#### POZNÁMKA

- > Neskladujte potraviny v chladničke počas prvých 4 hodín po uvedení do prevádzky.
- > Pri prvom uvádzaní chladničky do prevádzky môže dôjsť k tvorbe pachov, ktoré po niekoľkých hodinách pominú. Dobře vyvetrajte obývací priestor.
- > Chladiaci výkon môže byť ovplyvnený:
  - teplotou okolia (napr. ak je vozidlo vystavené priamemu slnečnému žiareniu)
  - množstvom uskladnených potravín,
  - Ako často sa dvere otvárajú
- > Z hygienických dôvodov vyčistite chladničku zvnútra (pozrite si Čistenie a údržba na strane 343).
- > Vozidlo odstavte na vodorovnú plochu, hlavne pri prvom uvádzaní chladničky do prevádzky a pri jej naplnení pred cestou.

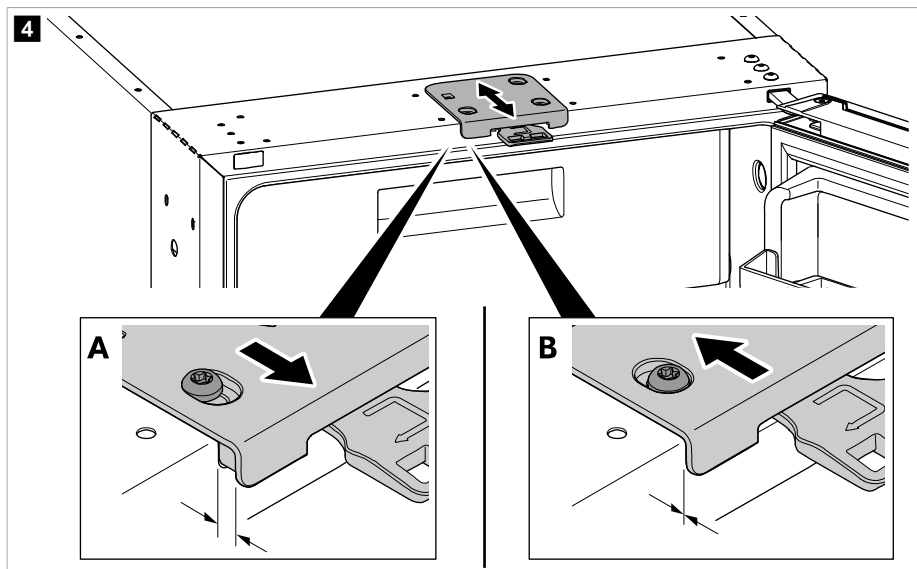
#### 8.1.1 Nastavenie západky dverí

Západku dverí na hornej strane chladničky možno nastaviť tak, aby regulovala šírku zatvárania dverí.



**i** **POZNÁMKA** Skontrolujte, či je namontovaná nastaviteľná západka dverí. V prípade potreby si objedajte nastaviteľnú západku dverí ([dometic.com](http://dometic.com)) a pevnú západku dverí vymeňte za nastaviteľnú západku dverí.

> Západka dverí je nastavená do polohy **A** vo výrobe. Posuňte západku dverí do polohy **B**.



**i** **POZNÁMKA** Ak je západka dverí v polohe **B**, uistite sa, že dvere sa pri zatváraní riadne zaistia (pozrite si kapitolu Zatvorenie a zaistenie dverí chladničky na strane 338).

## 8.2 Pokyny pre ukladanie potravín



### UPOZORNENIE! Nebezpečenstvo ohrozenia zdravia

Keď je chladnička dlhšiu dobu vystavená izbovej teplote pod 10 °C, už nie je viac zaručená rovnomerná regulácia teploty mraziaceho oddelenia. Môže to spôsobiť zvýšenie teploty v mraziacom oddelení a rozmrazenie uskladnených potravín.

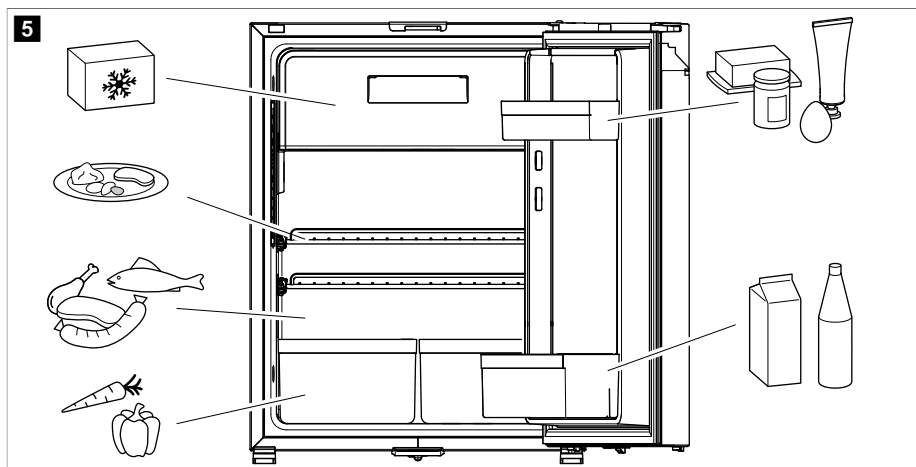


### POZOR! Nebezpečenstvo poškodenia

- > Dodržte maximálne zaťaženie dverovej police a dverí pri plnení chladničky (pozri Technické údaje na strane 350).
- > Nenechávajte sytené nápoje v mraziacom oddelení.

Dodržiť nasledujúce body, aby ste predišli plynutiu potravinami:

- Zabráňte kolísaniu teploty v čo najväčšej možnej miere. Chladničku otvárajte iba tak často a na takú dobu, ako je nevyhnutné. Skladujte potraviny tak, aby vzduch stále mohol dobre cirkulovať.
  - Prispôbte teplotu množstvu a druhu potravín.
  - Skladujte rôzne druhy potravín, ako je znázornené na obrázkoch.
  - Potraviny dokážu ľahko absorbovať alebo uvoľňovať pachy či chute. Potraviny vždy skladujte zakryté alebo v uzavretých nádobách/fľašiach.
- > Jedlo uchovávajte podľa obrázku.



## 8.3 Úspora energie

- Chladničku otvárajte iba tak často a na takú dobu, ako je nevyhnutné.
- Teplé jedlá nechajte pred vložením do spotrebiča najprv vychladnúť.
- Chladničku odmrázte, akonáhle sa vytvorí vrstva námrazy.
- Nenastavujte zbytočne nízku teplotu.
- Pre optimálnu spotrebu energie umiestnite police a zásuvky podľa ich umiestnenia pri dodaní.
- Pravidelne kontrolujte, či tesnenie dverí stále pevne drží.
- Kondenzátor v pravidelných intervaloch očistíte od prachu a nečistôt.

## 8.4 Používanie dverí chladničky



### UPOZORNENIE! Nebezpečenstvo poranenia

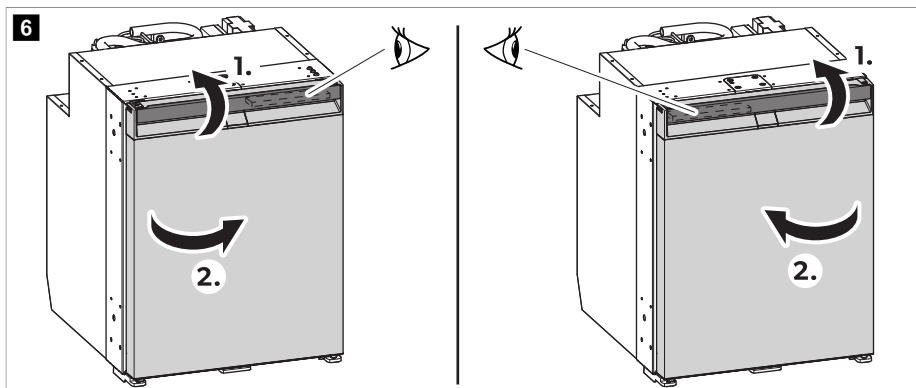
Ak sa dvere chladničky a dvere mraziaceho oddelenia používajú nesprávne, môžu sa úplne oddeliť od zariadenia.

### 8.4.1 Otváranie dverí chladničky



**POZNÁMKA** Ubezpečte sa, že potiahnete rukoväť na protíľahlej strane k zarážke dverí. Poznačte si príslušnú polohu posúvača. Pozrite si príslušný návod na montáž.

> Pri otvorení dverí chladničky postupujte podľa obrázku.



### 8.4.2 Zatvorenie a zaistenie dverí chladničky



### UPOZORNENIE! Nebezpečenstvo poranenia

Ak dvere nie sú správne zaistené, opatrne zatlačte hornú a dolnú časť dverí, až kým sa nezaistia na svojom mieste.

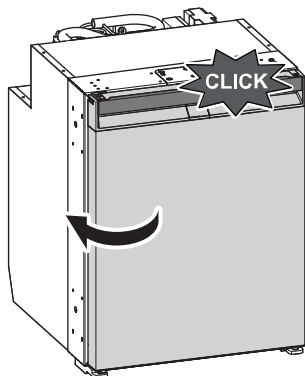


**POZNÁMKA** Dvere chladničky sú vybavené západkovým mechanizmom, ktorý slúži aj ako prepravná poistka.



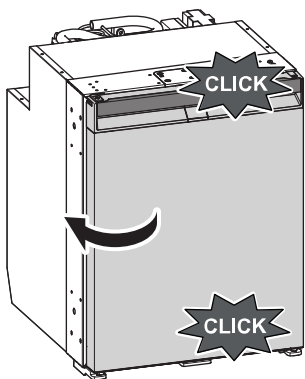
- > NRX0035-0130(E): Zatlačením zatvorte dvere, kým nebude zreteľne počuť kliknutie v hornej časti.

## 7 NRX0035 – 0130 (E)



- > NRX0035-0130(C/S): Zatlačením zatvorte dvere, až kým nebudete počuť kliknutie v hornej a spodnej časti.

## 8 NRX0035 – 0130 (C/S)





- ✓ Dvere sú teraz zatvorené a zaistené.

## 8.5 Zapnutie a vypnutie




**POZNÁMKA** Chladničku vždy vypnite, ak ju dlhšiu dobu nebudete používať.

- > Pre zapnutie stlačte tlačidlo  a podržte ho stlačené aspoň 2 s .
- ✓ Chladnička sa zapne s naposledy zvoleným chladiacim výkonom a prevádzkovým režimom.
- > Pre vypnutie stlačte tlačidlo  a podržte ho stlačené aspoň 2 s .

## 8.6 Nastavenie prevádzkových režimov




**POZNÁMKA** Pri použití režimu ECO, PERFORMANCE alebo FREEZER systém zostane v tomto režime až do ďalších zmien.

- > Pre nastavenie prevádzkového režimu opakovane stláčajte tlačidlo , kým sa nerozsvieti signalizačná LED dióda prevádzkového režimu pre želaný prevádzkový režim.

K dispozícii sú nasledujúce prevádzkové režimy:

### Používanie režimu ECO

Pri aktivovanom režime ECO beží chladnička so zníženou spotrebou energie pri chladiacom výkone 1 – 3.


- ✓ Signalizačná LED dióda prevádzkového režimu pre režim ECO  a signalizačná LED dióda zvoleného chladiaceho výkonu sa rozsvieti.

### Používanie režimu QUIET

Pri aktivovanom režime QUIET beží chladnička so zníženou hladinou hluku pri chladiacom výkone 1 – 4.

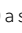


#### POZNÁMKA

- > Režim QUIET je nedostupný, keď chladnička beží v režime FREEZER.
- > Pri používaní režimu QUIET zostane chladnička v tomto režime 8 h a potom sa vráti do predchádzajúceho zvoleného režimu (režim ECO alebo PERFORMANCE).
- ✓ Signalizačná LED dióda prevádzkového režimu pre režim QUIET  a signalizačná LED dióda zvoleného chladiaceho výkonu sa rozsvieti.

### Používanie režimu PERFORMANCE

Pri aktivovanom režime PERFORMANCE beží chladnička v štandardnom režime pri chladiacom výkone 1 – 5.


- ✓ Signalizačná LED dióda prevádzkového režimu pre režim ECO  a signalizačná LED dióda zvoleného chladiaceho výkonu sa rozsvieti.

### Používanie režimu FREEZER:

Pri aktivovanom režime FREEZER sa celý interiér chladničky ochladí na  $-6^{\circ}\text{C}$ .



**POZNÁMKA** Vytiahnite mraziacu priehradku pre používanie režimu FREEZER.

- ✓ Signalizačná LED dióda prevádzkového režimu pre režim FREEZER  a všetky signalizačné LED diódy chladiaceho výkonu nepretržite svietia.

## 8.7 Nastavenie chladiaceho výkonu

- > Ak chcete nastaviť úroveň chladenia, opakovane stláčajte tlačidlo , kým nedosiahnete požadovanú úroveň chladenia.

## 8.8 Premiestnenie políc



### VÝSTRAHA! Riziko uväznenia dieťaťa

NRX0060–0130: Všetky police sú upevnené na svojom mieste, aby sa zabránilo deťom vstúpiť do chladničky.

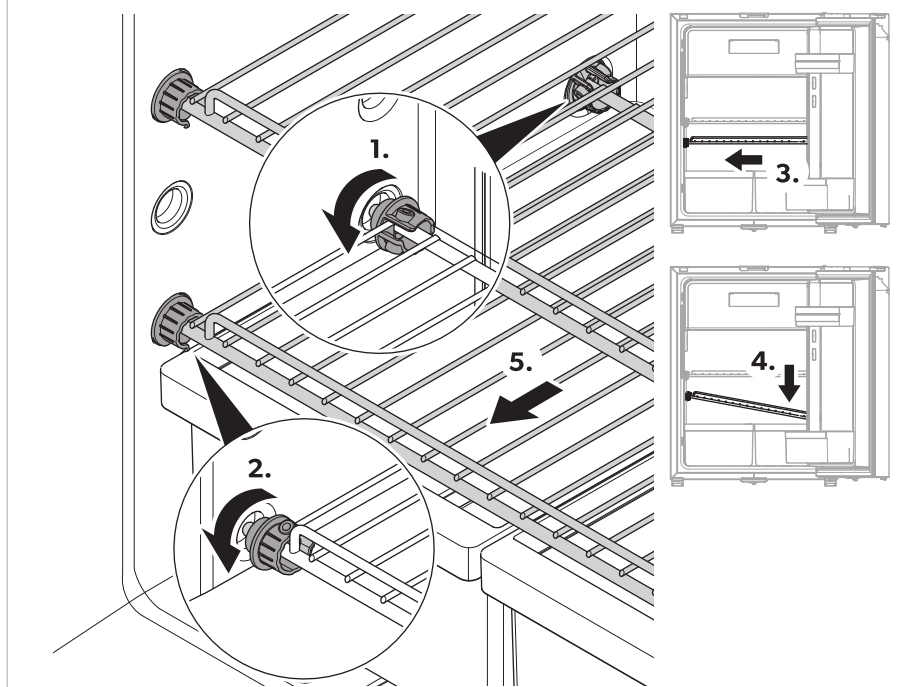
- > Police vyberajte len kvôli čisteniu.
- > Police vráťte na svoje miesto a zaistite ich.



**POZNÁMKA** Pred premiestnením políc vytiahnite mraziace oddelenie pre ľahší prístup k zadným gombíkom políc.

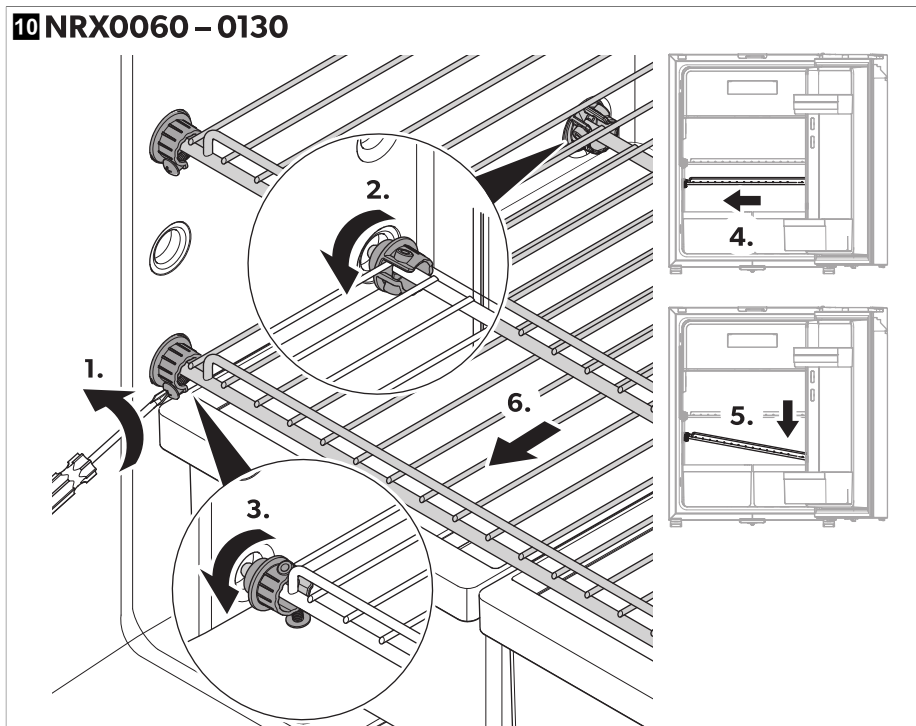
- > **NRX0035-0050:** Pri premiestnení políc podľa potreby postupujte podľa obrázku.

### 9 NRX0035 – 0050



- > **NRX0035-0050:** Pri premiestnení políc podľa potreby postupujte podľa obrázku.

## 10 NRX0060 – 0130



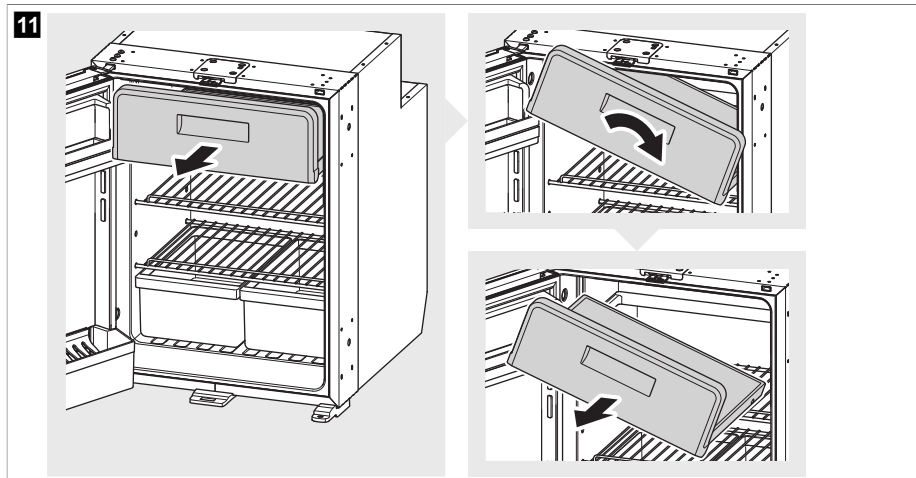
### 8.9 Vybratie mraziaceho oddelenia



#### **POZOR! Nebezpečenstvo poškodenia**

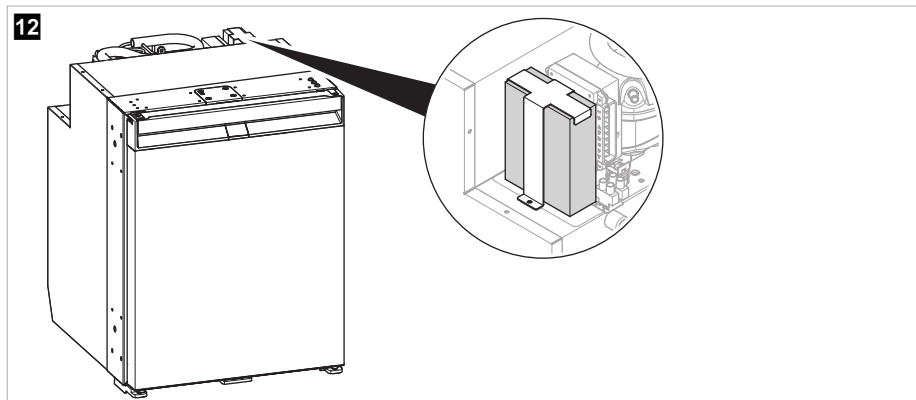
- > Zatvorte dverka mraziaceho oddelenia, aby bolo možné vybrať mraziace oddelenie.
- > Uchopte mraziace oddelenie za spodok. Netahajte za dverka mraziaceho oddelenia.
- > Mraziace oddelenie uskladnite na suchom a bezpečnom mieste.

- > Pri vyberaní mraziacej priehradky postupujte podľa obrázku.



## 8.10 Montáž AC/DC adaptéra

- > Pre montáž AC/DC adaptéra (príslušenstvo) postupujte podľa obrázku.



## 9 Čistenie a údržba



### **VÝSTRAHA! Nebezpečenstvo zásahu elektrickým prúdom**

Pred čistením a údržbou vždy odpojte chladničku od zdroja napájania.



### **POZOR! Nebezpečenstvo poškodenia**

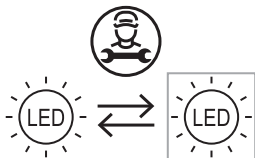
- > Na čistenie nepoužívajte abrazívne čistiace prostriedky alebo tvrdé predmety.
- > Na odstránenie vrstvy námrazy alebo uvoľnenie primrznutých predmetov nepoužívajte tvrdé alebo špicaté nástroje.

- > Postarajte sa, aby do tesnení nekvapkala voda. Mohlo by to poškodiť elektroniku.



### **POZOR! Nebezpečenstvo poškodenia**

Svetelný zdroj smie vymeniť len výrobca, servisný technik alebo osoba s podobnou kvalifikáciou, aby sa zabránilo nebezpečenstvu.



- > Vnútornú a vonkajšiu časť chladničky čistíte pravidelne vlhkou handričkou a hneď ako sa znečistí. Po vyčistení utrite chladničku handričkou dosucha.
- > Pravidelne kontrolujte odtok kondenzovanej vody.  
V prípade potreby vyčistíte odtok kondenzovanej vody. Pokiaľ je upchatý, kondenzovaná voda sa nahromadí na dne chladničky.
- > Prach a nečistoty z kondenzátora pravidelne čistite vlhkou handričkou.

### **Chladiaci okruh**

Chladiaci okruh si nevyžaduje údržbu.

### **Odmrazenie chladničky**



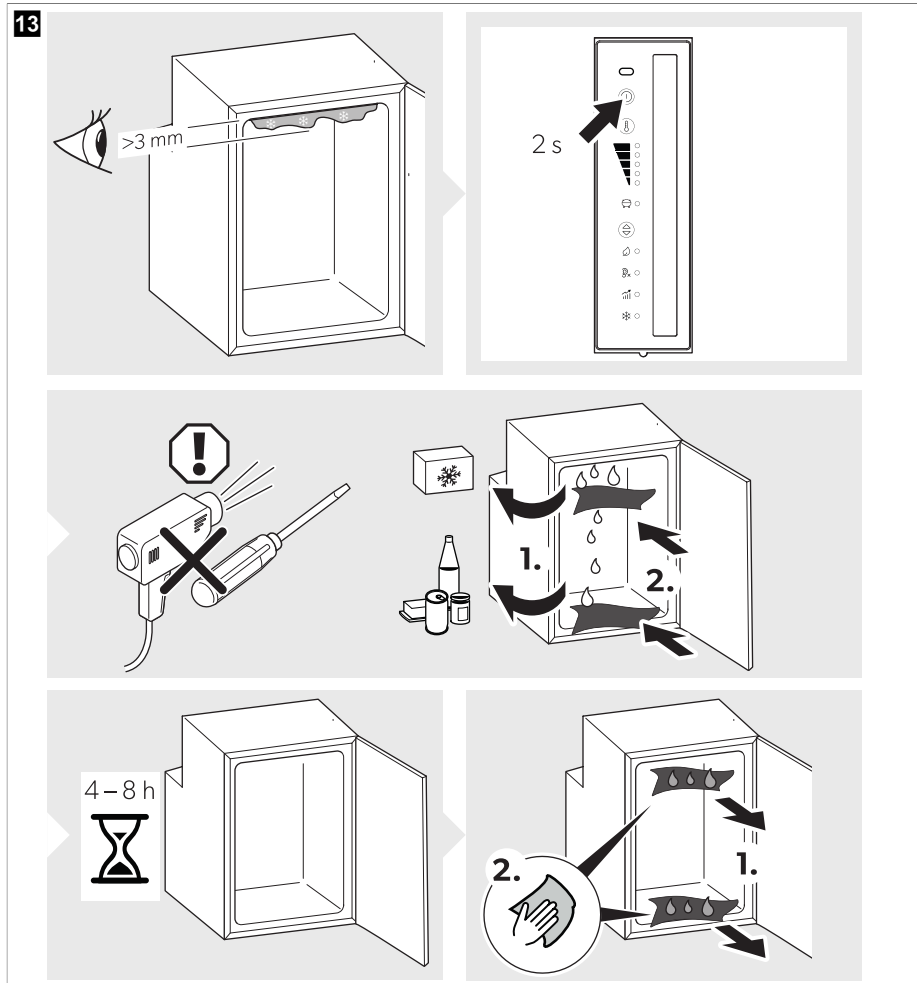
### **POZOR! Nebezpečenstvo poškodenia**

Nepoužívajte žiadne mechanické ani iné pomôcky, aby ste urýchlili proces odmravovania.



**POZNÁMKA** Časom sa na zadnej stene vo vnútri chladničky vytvorí srieň. Keď je vrstva sriene hrubá asi 3 mm, rozmrazte chladničku.

> Pri rozmrazovaní chladničky postupujte podľa obrázku.



### Nastavenie dverí chladničky do skladovacej polohy



#### UPOZORNENIE! Nebezpečenstvo poranenia

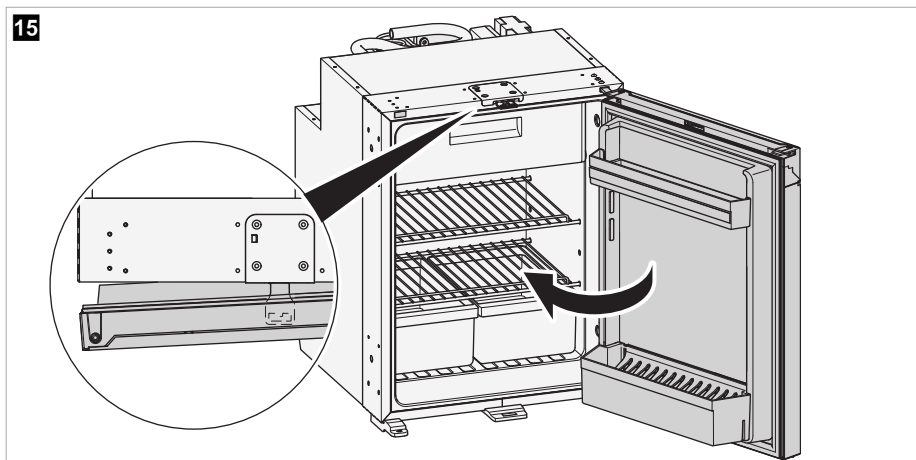
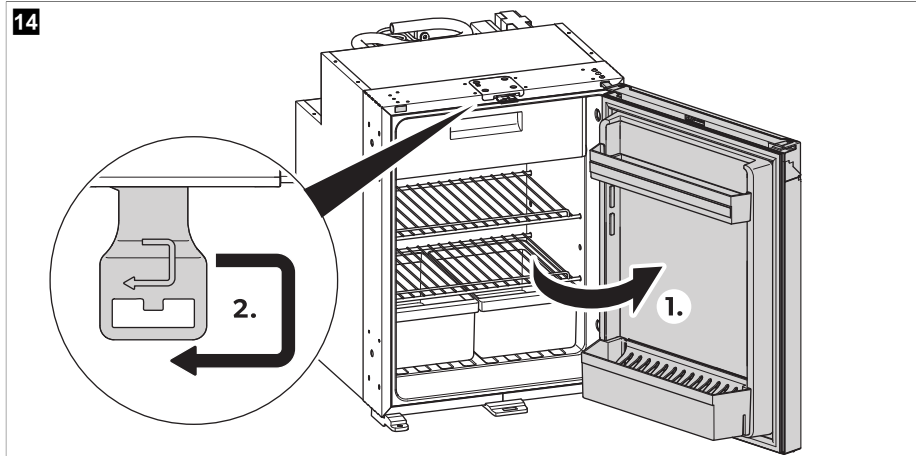
Skladovacia poloha sa nesmie nastavovať počas jazdy.



**POZNÁMKA** Nastavte dvere chladničky do skladovacej polohy, ak zariadenie nebudete dlhšiu dobu používať. Vyhnite sa tak tvorbe plesní.

> Odmrazte chladničku (pozri Odmrazenie chladničky na strane 344).

> Nastavte dvere chladničky do skladovacej polohy podľa obrázku.



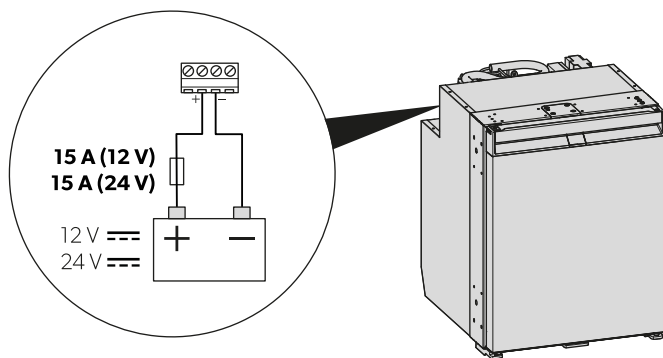
## 10 Odstraňovanie porúch




**POZNÁMKA** Pre bezpečnú prevádzku 12 V spotrebičov v karavane počas jazdy musí byť zaručené, že ťahač dokáže poskytnúť dostatočné napätie. V niektorých vozidlách môže systém správy batérie automaticky vypnúť spotrebič, aby chránil batériu. Ohľadom tohto sa informujte u výrobcu vášho vozidla.



16



| Porucha  | Možná príčina   | Návrh riešenia  |
|--|---|---|
| Chladnička nefunguje.  | Poistka v napájacom zdroji jednosmerného prúdu je chybná.   | > Vymeňte poistku (  obr. 16 na strane 347).   |
|  | Poistka vozidla je prehorená.   | > Vymeňte poistku vozidla.<br>Pozrite si návod na obsluhu vášho vozidla.  |
|  | Batéria vozidla je vybitá.  | > Skontrolujte batériu vozidla a nabite ju.   |
|  | Zapaľovanie nie je zapnuté.   | > Zapnite zapaľovanie.  |
|  | Teplota kompresora je príliš nízka (< 0 °C).  | > Všetky vonkajšie vetracie mriežky úplne zatvorte/zakryte izolačným materiálom.  |
|  | Chladnička sa vypne automaticky, ak napätie nie je postačujúce.<br>(Vypínacie napätie: 10,4 V $\Rightarrow$ ) | > Nabite batériu. Chladnička sa znovu automaticky zapne.<br>(Zapínacie napätie: 11,7 V $\Rightarrow$ )  |
| Chladiaci výkon klesá, vnútorná teplota stúpa. Kompresor nepretržite beží. | Nedostatočné vetranie okolo agregátu.   | > Skontrolujte, či nie je zablokovaná ventilačná mriežka.<br>> Premiestnite chladničku na iné miesto.   |
|  | Na vnútorných stenách sa vytvorila srieň.   | > Skontrolujte, či sa dvere chladničky správne a riadne zatvárajú.<br>> Ubezpečte sa, že tesnenie chladničky správne sedí a nie je poškodené.<br>> Odmrazte chladničku (pozri Odmrazenie chladničky na strane 344). |
|  | Teplota je nastavená príliš vysoko.   | > Nastavte nižšiu teplotu.  |
|  | Príliš vysoká vonkajšia teplota.  | > Na určitú dobu odstráňte ventilačnú mriežku, aby teplý vzduch rýchlejšie unikol.  |
|  | Do chladničky sa umiestnilo príliš veľa potravín naraz.   | > Odstráňte niektoré potraviny.   |

| Porucha   | Možná príčina   | Návrh riešenia  |
|---|---|---|
|   | Do chladničky sa umiestnilo príliš veľa teplých potravín naraz.   | > Vyberte teplé potraviny a nechajte ich najprv vychladnúť, než ich vložíte dovnútra. |
|   | Chladnička je v prevádzke len krátko.   | > Skontrolujte teplotu znovu po 4 h / 5 h.  |
|   | Kondenzátor je znečistený.  | > Vyčistite minibar (pozri kapitolu Čistenie a údržba na strane 343).                 |
|   | Ventilátor je chybný.   | > Kontaktujte autorizovaného servisného technika.                                     |
| Chladiaci výkon klesá, vnútorná teplota stúpa.<br>Kompresor často nefunguje.                          | Batéria je vybitá.  | > Nabite batériu.   |
| Chladiaci výkon klesá, vnútorná teplota stúpa.<br>Kompresor nebeží (pripojenie batérie).              | Prerušenie prípojného vedenia batéria – elektronika.  | > Vytvorte spojenie.  |
|   | Hlavný spínač je chybný (ak je namontovaný).  | > Vymeňte hlavný vypínač.   |
|   | Prídavná výkonová poistka prehorená (ak je namontovaná).  | > Vymeňte výkonovú poistku.   |
|   | Napätie batérie je príliš nízke.  | > Nabite batériu.   |
|   | Kapacita batérie je príliš nízka.   | > Vymeňte batériu za novú.  |
|   | Káble sú uvoľnené.<br>Kontakt je nedostatočný (korózia).  | > Vytvorte spojenie.  |
|   | Prierez kábla je príliš malý.   | > Vymeňte kábel.  |
|   | Kompresor je poškodený.   | > Kontaktujte autorizovaného servisného technika.                                     |
| Chladiaci výkon klesá, vnútorná teplota stúpa.<br>Kompresor nebeží (pripojenie na strieďavé napätie). | Prívodné napájacie vedenie je prerušené.  | > Vytvorte spojenie.  |
|   | Hlavný spínač je chybný (ak je namontovaný).  | > Vymeňte hlavný vypínač.   |
|   | Prídavná výkonová poistka prehorená (ak je namontovaná).  | > Vymeňte výkonovú poistku.   |
|   | Kompresor je poškodený.   | > Kontaktujte autorizovaného servisného technika.                                     |
| Neobvyklé zvuky.  | Konstruktívny diel chladiaceho okruhu sa nemôže voľne pohybovať (prilieha k stene).                         | > Komponent opatrne ohnite smerom od prekážky.  |
|   | Cudzie teleso zachytené medzi chladiacim zariadením a stenou.   | > Odstráňte cudzie teleso.  |
|   | Hlučný ventilátor.  | > Kontaktujte autorizovaného servisného technika.                                     |
| Pri pohybe sa dvere neúmyselne otvoria (napr. počas jazdy).   | Západka dverí je nastavená do polohy <b>A</b> (pozrite si kapitolu Nastavenie západky dverí na strane 335). | > Nastavte západku dverí do polohy <b>B</b> .   |

| Porucha                      | Možná príčina  | Návrh riešenia   |
|------------------------------|--|--|
| Dvere sa nezavárajú správne. | Západka dverí je nastavená do polohy <b>A</b> (pozrite si kapitolu Nastavenie západky dverí na strane 335).                                    | > Nastavte západku dverí do polohy <b>B</b> .              |
|                              | Západka dverí je nastavená do polohy <b>B</b> (pozrite si kapitolu Nastavenie západky dverí na strane 335), ale dvere nie sú správne zaistené. | > Pri zatváraní skontrolujte, či sa dvere správne zaistia. |

## Signalizácia chyby



### POZNÁMKA

- > Všetky chyby signalizuje signalizačná LED dióda chýb blikaním na oranžovo (pozri Ovládacie a indikačné prvky na strane 334). Počet zablikaní závisí od druhu poruchy. Každé bliknutie trvá štvrt sekundy. Po sekvencii bliknutí nasleduje prestávka. Sekvencia chyby sa opakuje každé štyri sekundy.
- > V režime ECO, PERFORMANCE a FREEZER zaznie dodatočné pípnutie.

| Frekvencia blikania | Chyba                             | Možná príčina   |
|---------------------|-----------------------------------|---|
| 1                   | Podpätie alebo prepätie           | Napájacie napätie je mimo nastaveného rozsahu.  |
| 2                   | Nadprúd ventilátora               | Ventilátor zaťažuje elektronickú jednotku hodnotou vyššou ako 1 A.  |
| 3                   | Motor sa nespustí                 | Rotor uviazol.<br>Rozdielový tlak v chladiacom systéme je príliš vysoký.  |
| 4                   | Príliš nízke otáčky               | Pri veľmi silnom zaťažení chladiaceho systému sa nedá udržať minimálny počet otáčok motora.                           |
| 5                   | Prehriatie elektronickej jednotky | Pri príliš vysokom zaťažení chladiaceho systému alebo príliš vysokej teplote sa elektronická jednotka príliš zohreje. |
| Trvale              | Chyby tepelného snímača           | Tepelný snímač je nefunkčný.  |

## 11 Záruka

Platí zákonom stanovená záručná doba. Ak je výrobok poškodený, obráťte sa na pobočku výrobcu vo vašej krajine (pozrite si stránku [dometic.com/dealer](http://dometic.com/dealer)) alebo na predajcu.

Ak žiadate o vybavenie opravy alebo nárokov vyplývajúcich zo záruky, musíte priložiť nasledovné podklady:

- kópiu faktúry s dátumom kúpy,
- dôvod reklamácie alebo opis chyby.

Upozorňujeme vás, že samooprava alebo neodborná oprava môže mať za následok ohrozenie bezpečnosti a zánik záruky.

## 12 Likvidácia



### POZOR! Nebezpečenstvo poškodenia

Izolácia chladiaceho zariadenia obsahuje horľavý cyklopentán a vyžaduje si špeciálne postupy pri likvidácii. Po uplynutí jeho životnosti odovzdanie chladiaceho zariadenia na vhodnú recykláciu.



Obalový materiál dávajte podľa možnosti do príslušného recyklovateľného odpadu. Informujte sa v najbližšom recyklačnom stredisku alebo u vášho špecializovaného predávajúceho o likvidácii výrobku v súlade s príslušnými predpismi týkajúcimi sa likvidácie. Európa: Výrobok je možné bezplatne zlikvidovať.

## 13 Technické údaje

Aktuálne EÚ vyhlásenie o zhode pre vaše zariadenie nájdete na stránke príslušného výrobku na internetovej stránke dometic.com alebo sa obráťte priamo na výrobcu (pozrite si [dometic.com/dealer](http://dometic.com/dealer)).

Toto zariadenie spĺňa požiadavky nariadenia UN ECE R10.

|  | NRX0035(E/C/S)           | NRX0050(E/C/S) | NRX0060(E/C/S) |
|--|--------------------------|----------------|----------------|
| Kapacita   |                          |                |                |
| • Chladiaca priehradka (iba model NRX0035–0130[C/S])           | 27,3 L                   | 39,6 L         | 48,9 L         |
| • Mraziaca priehradka (iba modely NRX0035–0130[C/S])           | 4,4 L                    | 4,4 L          | 6,1 L          |
| • Celkový objem  | 32 L                     | 44 L           | 55 L           |
| • Celkový objem (prevádzka s vyťahnutou mraziacou priehradkou) | 34 L                     | 46 L           | 58 L           |
| Pripájacie napätie   | 12 / 24 V <sup>===</sup> |                |                |
| Ochrana napájacej batérie (12 V)                               |                          |                |                |
| • Napätie pri vypnutí  | 10,4 V                   |                |                |
| • Napätie pri opakovanom zapnutí                               | 11,7 V                   |                |                |
| Ochrana napájacej batérie (24 V)                               |                          |                |                |
| • Napätie pri vypnutí  | 22,8 V                   |                |                |
| • Napätie pri opakovanom zapnutí                               | 24,2 V                   |                |                |
| Klimatická trieda  | T                        |                |                |
| Teplotný rozsah pri uskladnení:                                |                          |                |                |
| • Chladnička   | 0 °C ... 12 °C           |                |                |
| • Mraziaca priehradka (iba modely NRX0035–0130[C/S])           | –15 °C ... –5 °C         |                |                |
| • Režim mrazničky (iba model NRX0035–0130[C/S])                | –6 °C                    |                |                |
| Použitie pri určenej teplote okolia                            | 16 °C ... 43 °C          |                |                |
| Chladivo   | R134a                    |                |                |
| Stav zásob chladiaceho prostriedku                             | 24 g                     | 26 g           | 30 g           |

|   | NRX0035(E/C/S)   | NRX0050(E/C/S)              | NRX0060(E/C/S)              |
|---|--|-----------------------------|-----------------------------|
| Ekvivalent CO2  | 0,034 t  | 0,037 t                     | 0,043 t                     |
| Potenciál globálneho otepľovania (GWP)                                | 1430   |                             |                             |
| Emisia hluku (EN 60704)   | 40 ... 45 dB(A)  |                             |                             |
| Rozmery V × Š × H   | 525 × 380 × 355 mm<br><br>(bez kompresora<br>a dištančný držiak)<br><br>525 mm ×<br>380 mm × 480 mm<br><br>(s kompresorom<br>a dištančný držiak) | 525 mm ×<br>380 mm × 510 mm | 525 mm ×<br>448 mm × 537 mm |
| Hmotnosť netto  | E: 13,5 kg<br>C, S: 16 kg  | E: 14,5 kg<br>C, S: 17 kg   | E: 16 kg<br>C, S: 17 kg     |
| Maximálne zaťaženie   |  |                             |                             |
| • Dverovej police   | 4 kg   | 4 kg                        | 5 kg                        |
| • Dverí   | E: 4 kg<br>C/S: 8 kg   | E: 4 kg<br>C/S: 8 kg        | E: 5 kg<br>C/S: 10 kg       |
|   | NRX0080(E/C/S)   | NRX0115(E/C/S)              | NRX0130(E/C/S)              |
| Kapacita  |  |                             |                             |
| • Chladiaca priehradka<br>(iba model NRX0035 –<br>0130[C/S])          | 68,4 L   | 104,5 L                     | 118 L                       |
| • Mraziaca priehradka<br>(iba model NRX0035 –<br>0130[C/S])           | 6,6 L  | 8,2 L                       | 8,2 L                       |
| • Celkový objem   | 75 L   | 113 L                       | 126 L                       |
| • Celkový objem (prevádzka<br>s vytiahnutou mraziacou<br>priehradkou) | 78 L   | 116 L                       | 130 L                       |
| Pripájacie napätie  | 12 / 24 V==  |                             |                             |
| Ochrana napájacej batérie<br>(12 V)                                   |  |                             |                             |
| • Napätie pri vypnutí   |  | 10,4 V                      |                             |
| • Napätie pri opätovnom<br>zapnutí                                    |  | 11,7 V                      |                             |
| Ochrana napájacej batérie<br>(24 V)                                   |  |                             |                             |
| • Napätie pri vypnutí   |  | 22,8 V                      |                             |
| • Napätie pri opätovnom<br>zapnutí                                    |  | 24,2 V                      |                             |

|   | <b>NRX0080(E/C/S)</b>   | <b>NRX0115(E/C/S)</b>   | <b>NRX0130(E/C/S)</b>   |
|---|-------------------------|-------------------------|-------------------------|
| Klimatická trieda                                   | T                       |                         |                         |
| Teplotný rozsah pri uskladnení                      |                         |                         |                         |
| • Chladnička  | 0 °C ... 12 °C          |                         |                         |
| • Mraziaca priehradka (iba model NRX0035–0130[C/S]) | –15 °C ... –5 °C        |                         |                         |
| • Režim mrazničky (iba model NRX0035–0130C/S)       | –6 °C                   |                         |                         |
| Použitie pri určenej teplote okolia                 | 16 °C ... 43 °C         |                         |                         |
| Chladivo  | R134a                   |                         |                         |
| Stav zásob chladiaceho prostriedku                  | 32 g                    | 40 g                    | 40 g                    |
| Ekvivalent CO2                                      | 0,046 t                 | 0,057 t                 | 0,057 t                 |
| Potenciál globálneho otepľovania (GWP)              | 1430                    |                         |                         |
| Emisia hluku (EN 60704)                             | 40 ... 45 dB(A)         |                         |                         |
| Rozmery V × Š × H                                   | 625 × 475 × 537 mm      | 745 × 525 × 568 mm      | 812 × 525 × 568 mm      |
| Hmotnosť netto                                      | C, S: 20 kg<br>E: 18 kg | C, S: 26 kg<br>E: 24 kg | C, S: 27 kg<br>E: 25 kg |
| Maximálne zaťaženie                                 |                         |                         |                         |
| • Dverovej police                                   | 5 kg                    | 6 kg                    | 6 kg                    |
| • Dverí   | 10 kg                   | E: 12 kg<br>C/S: 18 kg  | E: 12 kg<br>C/S: 18 kg  |

## 14 Technické údaje

Aktuálne EÚ vyhlásenie o zhode pre vaše zariadenie nájdete na stránke príslušného výrobcu na internetovej stránke dometic.com alebo sa obráťte priamo na výrobcu (pozrite si [dometic.com/dealer](http://dometic.com/dealer)).

Toto zariadenie spĺňa požiadavky nariadenia UN ECE R10.

|   | <b>NRX0090V</b>         |
|---|-------------------------|
| Kapacita  |                         |
| • Chladiaca priehradka  | 79 L                    |
| • Mraziace oddelenie  | 8,4 L                   |
| • Celkový objem   | 87 L                    |
| • Celkový objem (prevádzka s vytiahnutou mraziacou priehradkou) | 92 L                    |
| Pripájacie napätie  | 12 / 24 V <sup>==</sup> |

|  | <b>NRX0090V</b>          |
|--|--------------------------|
| Ochrana napájacej batérie ( 12 V )     |                          |
| • Napätie pri vypnutí                  | 10,4 V                   |
| • Napätie pri opätovnom zapnutí        | 11,7 V                   |
| Ochrana napájacej batérie ( 24 V )     |                          |
| • Napätie pri vypnutí                  | 22,8 V                   |
| • Napätie pri opätovnom zapnutí        | 24,2 V                   |
| Spotreba                               | 0,35 kWh / 24 h          |
| Klimatická trieda                      | T                        |
| Teplotný rozsah pri uskladnení         |                          |
| • Chladnička                           | 0 °C ... 15 °C           |
| • Mraziace oddelenie                   | -12 °C ... -5 °C         |
| • Režim FREEZER                        | -5 °C ± 2 °C             |
| Použitie pri určenej teplote okolia    | 16 °C ... 43 °C          |
| Chladivo                               | R600a                    |
| Stav zásob chladiaceho prostriedku     | 22 g                     |
| Ekvivalent CO <sub>2</sub>             | 0,000 t                  |
| Potenciál globálneho otepľovania (GWP) | 3                        |
| Emisie hluku (EN60704)                 |                          |
| • Režim PERFORMANCE                    | < 40 dB(A)               |
| • Režim QUIET                          | 37 dB(A)                 |
| Rozmery V × Š × H                      | 821 mm × 486 mm × 480 mm |
| Hmotnosť netto                         | 22 kg                    |

## Čeština

|    |                          |     |
|----|--------------------------|-----|
| 1  | Důležité poznámky.....   | 354 |
| 2  | Vysvětlení symbolů.....  | 354 |
| 3  | Bezpečnostní pokyny..... | 355 |
| 4  | Obsah dodávky.....       | 357 |
| 5  | Příslušenství.....       | 358 |
| 6  | Určené použití.....      | 359 |
| 7  | Technický popis.....     | 359 |
| 8  | Použití.....             | 362 |
| 9  | Čištění a péče.....      | 370 |
| 10 | Řešení problémů.....     | 373 |
| 11 | Záruka.....              | 376 |
| 12 | Likvidace.....           | 376 |
| 13 | Technické údaje.....     | 376 |
| 14 | Technické údaje.....     | 379 |

## 1 Důležité poznámky

Pečlivě si prosím přečtěte a dodržujte všechny pokyny, směrnice a varování obsažené v tomto návodu k výrobku, abyste měli jistotu, že výrobek budete vždy správně instalovat, používat a udržovat. Tyto pokyny MUSÍ být uschovány v blízkosti výrobku.

Používáním výrobku tímto potvrzujete, že jste si pečlivě přečetli všechny pokyny, směrnice a varování a že rozumíte podmínkám uvedeným v tomto dokumentu a souhlasíte s nimi. Souhlasíte s používáním tohoto výrobku pouze k určenému účelu a použití a v souladu s pokyny, směrnicemi a varováními uvedenými v tomto návodu k výrobku a v souladu se všemi příslušnými zákony a předpisy. Pokud si nepřečtete a nebudete dodržovat zde uvedené pokyny a varování, může to vést ke zranění vás i ostatních, poškození vašeho výrobku nebo poškození jiného majetku v okolí. Tento návod k výrobku, včetně pokynů, směrnic a varování a související dokumentace může být předmětem změn a aktualizací. Aktuální informace o výrobku naleznete na adrese [documents.domestic.com](http://documents.domestic.com).

## 2 Vysvětlení symbolů

Signální slovo označuje bezpečnostní zprávy a zprávy o škodách na majetku a také označuje stupeň nebo úroveň závažnosti nebezpečí.



### NEBEZPEČÍ!

Označuje nebezpečnou situaci, která, pokud se jí nezabrání, bude mít za následek smrt nebo vážné zranění.



### VÝSTRAHA!

Označuje nebezpečnou situaci, která, pokud se jí nezabrání, může mít za následek smrt nebo vážné zranění.



### UPOZORNĚNÍ!

Označuje nebezpečnou situaci, která, pokud se jí nezabrání, může mít za následek lehké nebo středně těžké zranění.



### POZOR!

Označuje nebezpečnou situaci, která, pokud se jí nezabrání, může mít za následek majetkové škody.



**POZNÁMKA** Doplnující informace týkající se obsluhy výrobku.



## 3 Bezpečnostní pokyny

### Základní bezpečnost



#### **VÝSTRAHA! Nebezpečí usmrcení elektrickým proudem**

- > Instalaci a odstranění chladničky smí provádět pouze kvalifikovaný personál.
- > Instalace ve vlhkých prostorech a oblastech, které jsou vystaveny vodě, nechejte provést pouze odborníkem.
- > Pokud chladničku instalujete pod přístřešek nebo podobné prostředí, zajistěte, aby byla chladnička chráněna před deštěm a stříkající vodou.
- > V případě, že je chladnička viditelně poškozena, nesmíte ji používat.
- > Opravy chladničky smí provádět pouze kvalifikovaný personál. Nesprávné provedené opravy mohou být zdrojem značných rizik nebo poškození chladničky.
- > Pokud je přívodní kabel této chladničky poškozen, musíte jej nechat vyměnit výrobcem, jeho zákaznickým servisem nebo jinou kvalifikovanou osobou, aby nemohlo dojít k žádnému ohrožení.
- > Při umístění chladničky se ujistěte, že není zachycen nebo poškozen přívodní kabel.
- > Přenosné vícenásobné zásuvky nebo přenosné napájecí zdroje neumísťujte v zadní části chladničky.
- > Nikdy se nedotýkejte odizolovaných vodičů.
- > Přístroj zapojte do zásuvek, které zajišťují správné připojení, zejména pokud je třeba přístroj uzemnit.
- > Pokud se zařízení napájí z elektrické sítě, ujistěte se, že je napájecí zdroj vybaven jističem zbytkového proudu (RCCB) nebo přerušovačem zemního spojení (GFCI). Instalace musí být provedena v souladu se všemi platnými předpisy, zejména na potenciálně vlhkých místech.



#### **VÝSTRAHA! Nebezpečí požáru**

- > Chladicí okruh obsahuje malé množství ekologického, chladiva. Tím není poškozována ozonová vrstva a nezvyšuje se skleníkový efekt. Unikající chladivo se může vznítit.
- > Chladničku nepoužívejte ani neskladujte v uzavřených prostorách s nulovým nebo minimálním prouděním vzduchu.
- > Dbejte na to, aby se v instalačním prostoru chladničky nenacházely žádné elektrické součásti a světelné zdroje, které při normálním nebo abnormálním provozu vytvářejí jiskry nebo elektrické oblouky (např. relé nebo pojistkové skříňky).
- > Izolace chladničky obsahuje hořlavý cyklopentan a vyžaduje speciální postupy likvidace. Chladničku odevzdejte na konci její životního cyklu do příslušného recyklačního střediska.



#### **VÝSTRAHA! Nebezpečí výbuchu**

V chladničce neskladujte výbušné látky, například spreje s hnacím plynem.



#### **VÝSTRAHA! Nebezpečí ohrožení zdraví**

- > Tuto chladničku mohou používat děti od 8 let a osoby se sníženými fyzickými, smyslovými nebo duševními schopnostmi nebo s nedostatečnými zkušenostmi a znalostmi, pokud jsou pod dohledem nebo obdržely pokyny týkající se používání přístroje bezpečným způsobem a porozuměly souvisejícím nebezpečím.
- > Děti ve věku od 3 do 8 let mohou chladničku plnit a vyprazdňovat.
- > Čištění a běžnou údržbu nesmějí provádět děti bez dozoru.
- > Děti musejí být pod dohledem tak, aby si s chladničkou nehrály.



#### **VÝSTRAHA! Nebezpečí uvznutí dětí**

- > Ujistěte se, že jsou upevněny a zajištěny police, aby se děti nemohly v chladničce zavřít.
- > Před likvidací chladničky:

- Vyměte zásuvku.
  - Nechejte v chladničce police, aby se dovnitř nemohly dostat děti.
- > Sundejte dvířka ze závěsu.



#### **UPOZORNĚNÍ! Nebezpečí ohrožení zdraví**

- > Aby se předešlo nebezpečí způsobenému nestabilitou chladničky, musí být upevněna v souladu s montážními pokyny.
- > Ventilační otvory v krytu chladničky nebo ve vestavné konstrukci udržujte volné.
- > K urychlení rozmrazování nepoužívejte mechanické přístroje nebo jiné prostředky než ty doporučené výrobcem.
- > V žádném případě neotevírejte ani nepoškozujte chladicí okruh.
- > Uvnitř chladničky nepoužívejte žádné elektrické přístroje, pouze pokud jsou k tomu doporučeny výrobcem.



#### **UPOZORNĚNÍ! Riziko zranění**

- > Nepoužívejte ani neskladujte hořlavé materiály v chladničce nebo v její blízkosti.
- > Na chladničku nepokládejte žádné předměty ani je o chladničku neopírejte.
- > Neupravujte tuto chladničku.



#### **POZOR! Nebezpečí poškození**

- > Provoz na stejnosměrný proud vyberte, pouze pokud motor vozidla běží a poskytuje tak dostatečné napětí nebo pokud používáte snímač stavu baterie.
- > Pokud je součástí odtok kondenzátu, udržujte jej stále čistý.
- > Pokud má chladnička větrací mřížky, nepoužívejte při čištění vozidla v místě větrací mřížky vysokotlaký vodní čistič.
- > Chladnička nesmí být vystavena dešti.
- > Nikdy nevytahujte zástrčku ze zásuvky tahem za přívodní kabel.

## **Bezpečnost za provozu chladničky**



#### **NEBEZPEČÍ! Nebezpečí usmrcení elektrickým proudem**

Před uvedením chladničky do provozu zkontrolujte, zda jsou přívodní kabel a zástrčka suché.



#### **UPOZORNĚNÍ! Nebezpečí ohrožení zdraví**

- > Do chladničky vkládejte pouze takové věci, které je přípustné chladit na nastavenou teplotu.
- > Pravidelně čistěte povrchy, které se mohou dostat do kontaktu s potravinami a přístupnými odtokovými systémy.
- > Syrové maso a ryby ukládejte v chladničce ve vhodných nádobách, aby se nedostaly do kontaktu s ostatními potravinami a nemohly na ně odkapávat.
- > Otevření dvířek na delší dobu může způsobit značné zvýšení teploty v prostorech chladničky. Je-li chladnička ponechána prázdná po dlouhou dobu:
- Vypněte chladničku.
  - Odmrazte chladničku.
  - Vyčistěte a vysušte chladničku.
  - Nechejte dvířka otevřená, aby se zabránilo tvorbě plísňe uvnitř chladničky. Umístěte dvířka chladničky a dvířka mrazničky do zimní polohy, pokud je k dispozici.

**UPOZORNĚNÍ! Riziko zranění**

- > Nesahejte do závěsu.
- > Dvířka chladničky před zahájením jízdy zavřete a zajistěte.
- > Chladicí systém na zadní straně chladničky se za provozu velmi zahřívá. Pokud je chladnička vybavena větracími mřížkami, chraňte se při jejich demontáži před kontaktem s horkými částmi.
- > Při nesprávném použití může dojít k úplnému uvolnění dvířek přístroje nebo mrazničky. Dvířka přitlačte, abyste uslyšeli jasné cvaknutí nahoře a dole.

**POZOR! Nebezpečí poškození**

- > Nenaklánějte se nad otevřená dvířka chladničky.
- > Těžké předměty, jako jsou láhve nebo plechovky, uchovávejte výhradně ve dvířkách chladničky, v prostoru na zeleninu nebo na spodní polici.
- > Pokud má chladnička oboustranná dvířka, která nejsou na opačné straně správně zajištěna, zatlačte na tuto stranu nahoře a dole, dokud nezaklapnou na své místo.
- > **Nebezpečí přehřátí!** Vždy dbejte, aby bylo teplo vznikající za provozu zařízení dostatečně odváděno. Zajistěte, aby byla chladnička postavena v dostatečné vzdálenosti od stěn nebo předmětů tak, aby kolem ní mohl proudit vzduch.
- > Vnitřní prostor nevyplňujte ledem ani žádnou tekutinou.
- > Chladničku a kabel chraňte před horkem a vlhkem.
- > Nikdy nevytahujte zástrčku ze zásuvky tahem za přírodní kabel.

**POZNÁMKA**

- > Pokud systém řízení baterie vašeho vozidla vypne chladničku kvůli ochraně baterie, obraťte se na výrobce vozidla.
- > Při okolní teplotě 15 °C ... 25 °C zvolte průměrné nastavení teploty.
- > Pokud dvířka nejsou správně zajištěna na opačné straně, zatlačte na této straně nahoře a dole, aby se zajistila na místě.
- > Abyste zabránili odpadu z potravin, dbejte následujícího:
  - Udržujte výkyvy teploty co nejnižší. Mrazničku otevírejte pouze na nezbytně nutnou dobu. Potraviny skladujte takovým způsobem, aby vzduch mohl stále dobře cirkulovat.
  - Do chladničky vkládejte pouze takové věci, které je přípustné chladit na nastavenou teplotu.
  - Různé druhy potravin uložte podle obrázků.
  - Pokud lze teplotu upravit: Teplotu nastavte podle množství a typu potravin.
  - Potraviny mohou snadno pohlcovat nebo uvolňovat zápach nebo vůni. Potraviny vždy uchovávejte zakryté nebo v uzavřených nádobách/lahvích.

## 4 Obsah dodávky

| Množství | Popis                          |
|----------|--------------------------------|
| 1        | Kompresorová chladnička        |
| 1        | Odtokové koleno                |
| 1        | Stručný návod k obsluze        |
| 1        | Návod k obsluze (pouze online) |
| 1        | Návod k montáži                |

## 5 Příslušenství

Dostupné jako příslušenství (není součástí dodávky):

| Popis  | Č. výr.    |
|--|------------|
| Posuvné kování   | 9620012939 |
| Upevňovací rám včetně spodního rámu                      |            |
| • NRX0035, NRX0050                                       | 9620012877 |
| • NRX0060  | 9620012881 |
| • NRX0080  | 9620012882 |
| • NRX0115  | 9620012878 |
| • NRX0130  | 9620012876 |
| Upevňovací rám včetně spodního rámu (černý)              |            |
| • NRX0035, NRX0050                                       | 9620012874 |
| • NRX0060  | 9620012875 |
| • NRX0080  | 9620012880 |
| • NRX0115  | 9620012879 |
| • NRX0130  | 9620012883 |
| Náhrada police za vyjmutý prostor pro zmrazené potraviny |            |
| • NRX0035, NRX0050                                       | 9620012933 |
| • NRX0060  | 9620012938 |
| • NRX0080  | 9620012935 |
| • NRX0115, NRX0130                                       | 9620012932 |
| Prostor pro zmrazené potraviny                           |            |
| • NRX0035, NRX0050                                       | 9620012931 |
| • NRX0060  | 9620012936 |
| • NRX0080  | 9620012934 |
| • NRX0115, NRX0130                                       | 9620012937 |

| Popis         | Č. výr.                            |
|---------------|------------------------------------|
| Adaptér AC/DC | 9620013449 (EU)<br>9620013450 (UK) |

## 6 Určené použití

Chladnička je určena pro:

- Instalace do karavanů, obytných automobilů, lodí a nákladních vozidel
- Chlazení a uchovávání potravin.
- **Pouze NRX0035–0130(C/S):** Uchovávání předem zmrazených potravin.
- Použití v interiéru

Tato chladnička není určena pro komerční, maloobchodní ani domácí použití.

Chladnička se **nehodí** pro:

- Skladování léčiv
- Skladování žíravých látek nebo látek s obsahem rozpouštědel
- Rychlé mražení potravin
- Venkovní použití

Při použití na lodích musí být zařízení instalováno v prostoru denní místnosti, nikoli na otevřené palubě.

Mrazicí box je určen k uchovávání předem zmrazených potravin, k uchovávání nebo výrobě zmrzliny a k výrobě kostek ledu. Není vhodná k mražení dříve rozmrazených potravin.

Chladnička je určena k instalaci do skříňky nebo instalačního výklenku.

Optimální chladicí výkon je poskytován při okolních teplotách mezi 16 °C ... 43 °C a při maximální vlhkosti 90 % .

Tento výrobek je vhodný pouze k určenému účelu a použití v souladu s těmito pokyny.

Tento návod obsahuje informace, které jsou nezbytné k řádné instalaci a/nebo použití výrobku. Nesprávná instalace a/nebo nevhodné použití či údržba povedou k neuspokojivému výkonu a možné závadě.

Výrobce nepřijímá žádnou odpovědnost za jakékoli zranění nebo poškození výrobku vyplývající z následujících:

- Nesprávné instalace, sestavení nebo připojení včetně nadměrného napětí
- Nesprávná údržba nebo použití jiných náhradních dílů než originálních dílů dodaných výrobcem
- Úpravy výrobku bez výslovného souhlasu výrobce
- Použití k jiným účelům, než jsou popsány v tomto návodu

Společnost Dometic si vyhrazuje právo změnit vzhled a specifikace výrobku.

## 7 Technický popis

Jedná se o kompresorovou chladničku.

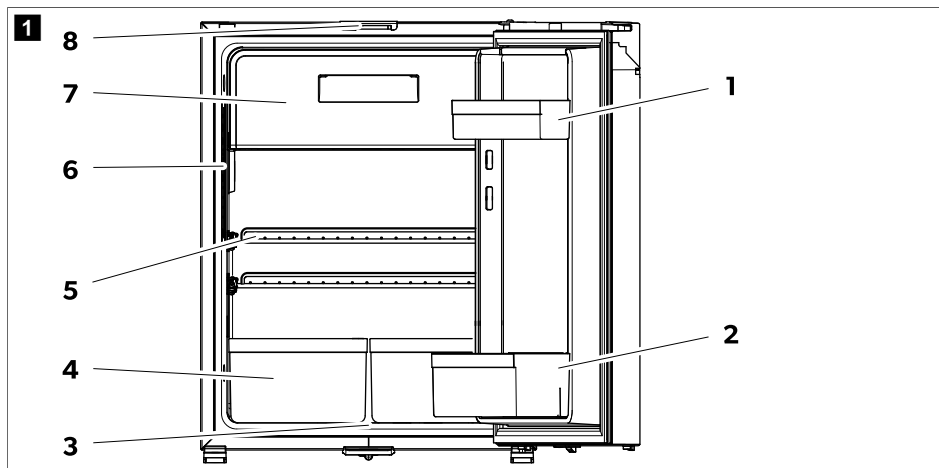
Chladnička je určena k provozu s různými druhy napájení, a proto ji lze použít i při kempování nebo na lodích.

NRX0035–0130(C/S): Tento model je z výroby vybaven prostorem pro zmrazené potraviny, který lze vyjmout a znovu nainstalovat.

Chladnička je opatřena západkovým mechanismem, který ji chrání při přepravě.

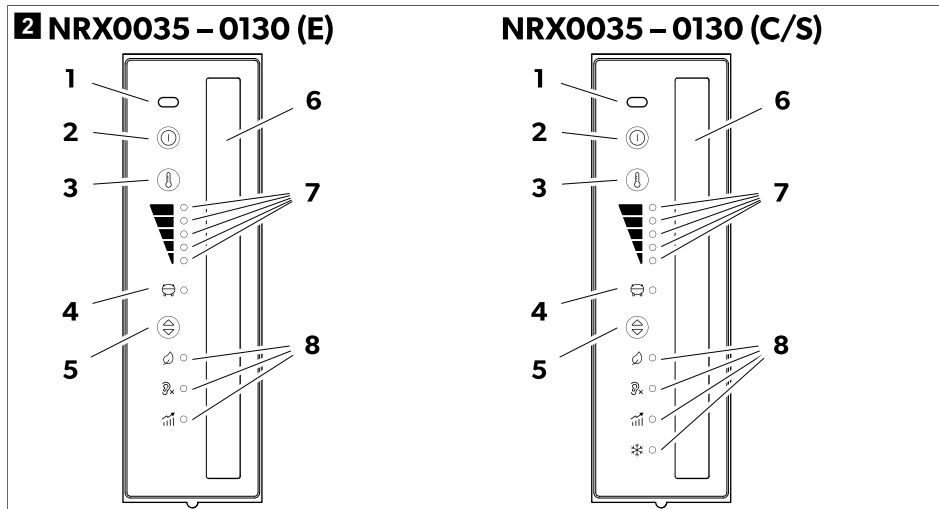
Veškeré materiály chladničky jsou pro potraviny neškodné.

## Popis přístroje



| Č. | Vysvětlení  |
|----|---|
| 1  | Polička ve dveřích (pouze NRX0035–0130[C/S], NRX0080–0130[E]) |
| 2  | Police na láhve   |
| 3  | Odtok kondenzátu  |
| 4  | Příhrádka na zeleninu (pouze NRX0035–0130[C/S])               |
| 5  | Police chladničky   |
| 6  | Ovládací panel s displejem                                    |
| 7  | Prostor pro zmrazené potraviny (pouze NRX0035 – 0130[C/S])    |
| 8  | Dveřní západka pro větrání                                    |

## Ovládací a indikační prvky



| Č. | Vysvětlení   |
|----|--|
| 1  | IR snímač otevření dvířek  |
| 2  | ⏻ Tlačítko Zap/Vyp   |
| 3  | Ⓜ Tlačítko nastavení chladicího výkonu   |
| 4  | LED indikátor stavu kompresoru a poruch  |
| 5  | Ⓢ Tlačítko provozního režimu   |
| 6  | Vnitřní osvětlení  |
| 7  | Kontrolky LED indikující chladicí výkon<br><ul style="list-style-type: none"> <li> Chladicí výkon 5</li> <li> Chladicí výkon 4</li> <li> Chladicí výkon 3</li> <li> Chladicí výkon 2</li> <li> Chladicí výkon 1</li> </ul> |
| 8  | Kontrolky LED indikující provozní režim  |





## LED indikátor stavu kompresoru a poruch

LED indikátor stavu kompresoru a poruch udává provozní stav kompresoru anebo indikuje poruchu:

| Color            | Popis   |
|------------------|---|
| Bílá             | Zapnutý kompresor                                   |
| oranžová         | Vypnutý kompresor                                   |
| Oranžová (bliká) | Chyba (viz kapitola Indikace poruch na stránce 376) |

## Kontrolky LED indikující provozní režim

Kontrolky LED indikující provozní režim zobrazují následující možnosti nastavení:

| Symbol  | Popis  |
|---|--|
|  | Režim ECO:<br>Provoz se sníženou spotřebou elektrické energie.<br>Chladicí výkon 1 – 3   |
|  | Režim QUIET (TIŠÝ):<br>Provoz se sníženou hlučností.<br>Chladicí výkon 1 – 4   |
|  | Režim PERFORMANCE (VÝKON):<br>Chladicí výkon 1 – 5   |
|  | Režim FREEZER (pouze NRX0035–0130[C/S]):<br>Provoz s vytaženým prostorem pro zmrazené potraviny. Vychladí celý vnitřní prostor přístroje na –6 °C. |

## 8 Použití

### 8.1 Před prvním použitím



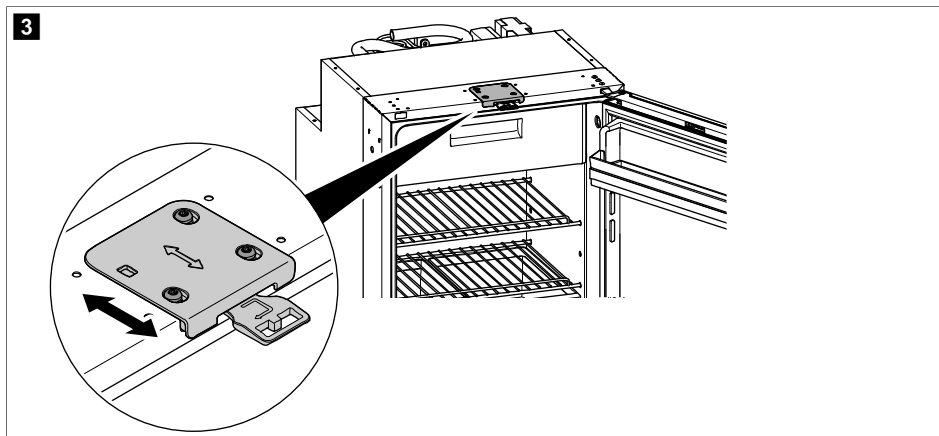
#### POZNÁMKA

- > V chladničce neuchovávejte zboží po dobu prvních 4 hodin od spuštění.
- > Při prvním uvedení chladničky do provozu může dojít k tvorbě mírného zápachu, který zmizí po několika hodinách. Obytný prostor dobře provětrejte.
- > Kapacita chlazení může být ovlivněna těmito jevy:
  - teplota okolí (např. pokud je vozidlo vystaveno přímému slunečnímu záření),
  - množství chlazených potravin,
  - četností otevírání dveří.
- > Z hygienických důvodů vyčistěte přístroj uvnitř i vně (viz Čištění a péče na stránce 370).
- > Vozidlo zaparkujte na vodorovné ploše, a to zejména při uvedení do provozu a plnění chladničky před nástupem jízdy.

#### 8.1.1 Nastavení dveřní západky

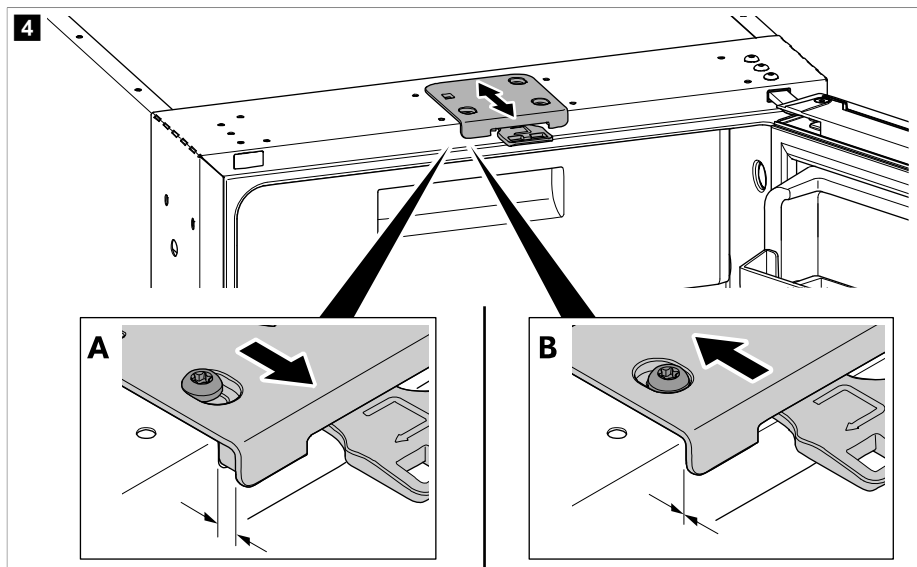
Dveřní západku na horní straně chladničky lze přizpůsobit a regulovat tak šířku při zavření dvířek.





**i** **POZNÁMKA** Zkontrolujte, zda je nainstalována nastavitelná dveřní západka. V případě potřeby objednejte nastavitelnou dveřní západku ([dometic.com](http://dometic.com)) a použijte jí místo pevné dveřní západky.

> Dveřní západka je z výroby nastavena do polohy **A**. Posuňte dveřní západku do polohy **B**.



**i** **POZNÁMKA** Pokud je dveřní západka v poloze **B**, při zavírání se ujistěte, že jsou dvířka řádně zajištěna (viz kapitola Zavření a zajištění dvířek chladničky na stránce 365).

## 8.2 Informace k uchování potravin



### UPOZORNĚNÍ! Nebezpečí ohrožení zdraví

Pokud je chladnička delší dobu vystavena okolní teplotě pod 10 °C, nelze zaručit regulaci teploty v prostoru pro zmrazené potraviny. To může způsobit zvýšení teploty v prostoru pro zmrazené potraviny a rozmrazení uchovávaného zboží.

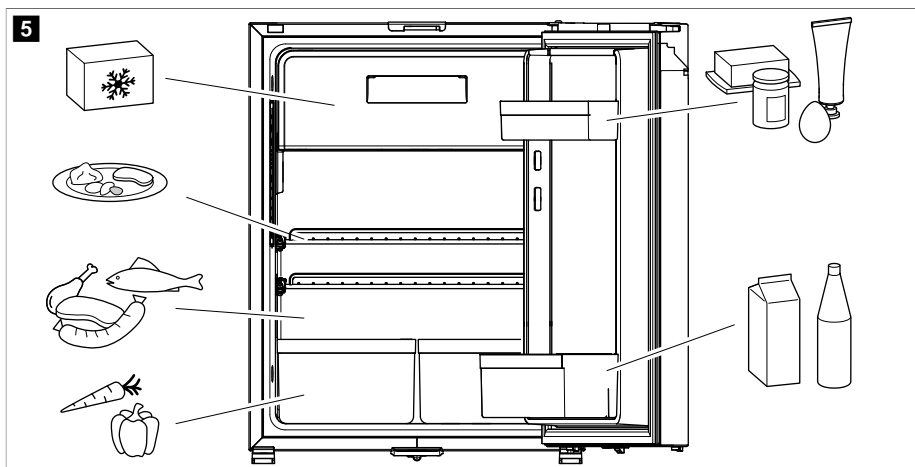


### POZOR! Nebezpečí poškození

- > Při plnění chladničky nepřekračujte maximální zatížení na dveřní polici a dveře (viz Technické údaje na stránce 376.)
- > V prostoru pro zmrazené potraviny neuchovávejte sycené nápoje.

Abyste zabránili odpadu z potravin, dbejte následujícího:

- Udržujte výkyvy teploty co nejnižší. Chladničku otevírejte pouze na nezbytně nutnou dobu. Potraviny skladujte takovým způsobem, aby vzduch mohl stále dobře cirkulovat.
  - Teplotu nastavte podle množství a typu potravin.
  - Různé druhy potravin uložte podle obrázků.
  - Potraviny mohou snadno pohlcovat nebo uvolňovat zápach nebo vůni. Potraviny vždy uchovávejte zakryté nebo v uzavřených nádobách/lahvích.
- > Potraviny skladujte podle obrázku ( ).



## 8.3 Úspora energie

- Chladničku otevírejte pouze na nezbytně nutnou dobu.
- Teplé pokrmy nechejte před uložením do přístroje vychladnout.
- Odmrazte chladničku, jakmile se vytvoří vrstva ledu.
- Zabraňte vzniku zbytečně nízkých vnitřních teplot.
- Pro optimální spotřebu elektrické energie umístěte police a zásuvky podle jejich polohy při dodání.
- Pravidelně kontrolujte, zda těsnění dveří stále správně sedí.
- Pravidelně čistěte kondenzátor od nečistot a prachu.

## 8.4 Použití dvířek chladničky



### UPOZORNĚNÍ! Riziko zranění

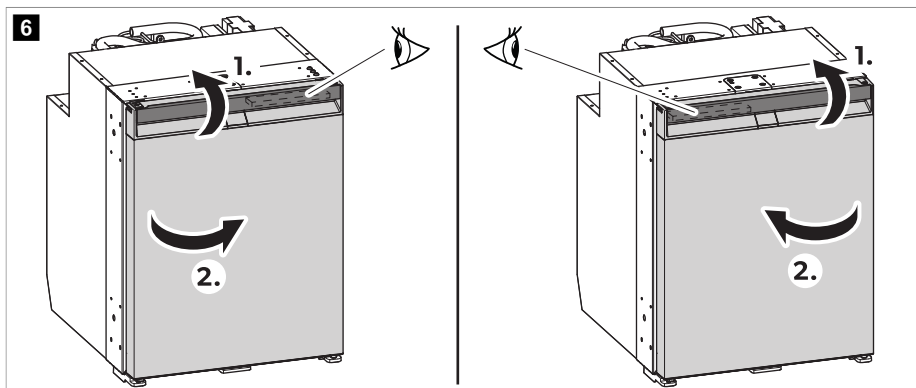
Při nesprávném použití může dojít k úplnému uvolnění dvířek chladničky a prostoru pro zmrazené potraviny od přístroje.

### 8.4.1 Otevření dvířek chladničky



**POZNÁMKA** Dbejte na to, abyste za rukojeť tahali na opačné straně, než je zarážka dveří. Věnujte pozornost odpovídající poloze posuvníku. Viz související návod k montáži.

> Při otevírání dveří chladničky postupujte podle obrázku.



### 8.4.2 Zavření a zajištění dvířek chladničky



### UPOZORNĚNÍ! Riziko zranění

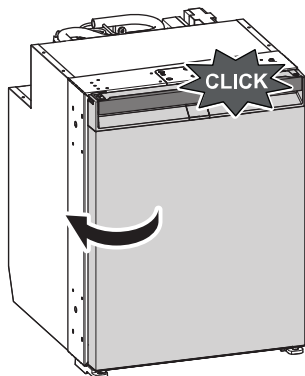
Nejsou-li dvířka správně zajištěna, opatrně zatlačte na horní a spodní část dvířek, dokud nebudou bezpečně spočívat na svém místě.



**POZNÁMKA** Dvířka chladničky jsou opatřena západkovým mechanismem, který také slouží k jejich ochraně při přepravě.

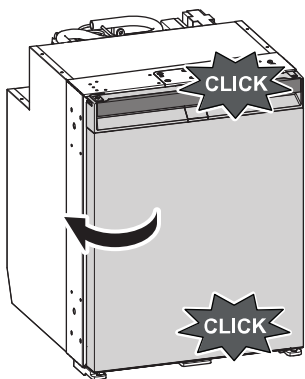
- > NRX0035–0130(E): Dvířka přitlačte, až uslyšíte zřetelné cvaknutí v horní části.

## 7 NRX0035 – 0130 (E)



- > NRX0035–0130(C/S): Dvířka přitlačte, abyste uslyšeli cvaknutí nahoře a dole.

## 8 NRX0035 – 0130 (C/S)





- ✓ Dvířka jsou nyní zavřená a zajištěná.

### 8.5 Zapnutí a vypnutí




**POZNÁMKA** Chladničku vždy vypněte, pokud ji nebudete delší dobu používat.

- > Chcete-li chladničku zapnout, stiskněte tlačítko  a podržte jej stisknuté po dobu alespoň 2 s .
- ✓ Chladnička se zapne s naposledy zvoleným nastavením chladicího výkonu a provozním režimem.
- > Chcete-li přístroj vypnout, podržte tlačítko  stisknuté po dobu alespoň 2 s .

## 8.6 Nastavení provozních režimů



**POZNÁMKA** Při používání režimu ECO, PERFORMANCE nebo FREEZER zůstane systém v tomto režimu, dokud jej nezměníte.

- > Chcete-li nastavit provozní režim, opakovaně stiskněte tlačítko , dokud se nerozsvítí kontrolka požadovaného provozního režimu.

Dostupné jsou následující provozní režimy:

### Používání režimu ECO

Když je aktivní režim ECO, pracuje chladnička se sníženou spotřebou energie při chladicím výkonu 1 – 3.

- ✓ Bude svítit LED kontrolka provozního režimu ECO  a kontrolka zvoleného chladicího výkonu.

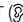
### Používání režimu QUIET

Když je aktivní režim QUIET, pracuje chladnička se sníženou hlučností při chladicím výkonu 1 – 4.



#### POZNÁMKA

- > Režim QUIET není k dispozici, pokud chladnička běží v režimu FREEZER.
- > Při použití režimu QUIET zůstane chladnička v tomto režimu po dobu 8 h a poté se vrátí do dříve zvoleného režimu (ECO nebo PERFORMANCE).

- ✓ Bude svítit LED kontrolka provozního režimu QUIET  a kontrolka zvoleného chladicího výkonu.

### Používání režimu PERFORMANCE

S aktivovaným režimem PERFORMANCE běží chladnička ve standardním režimu při chladicím výkonu 1 – 5.

- ✓ Bude svítit LED kontrolka provozního režimu PERFORMANCE  a kontrolka zvoleného chladicího výkonu.

### Používání režimu FREEZER

Je-li zapnutý režim FREEZER, celý vnitřní prostor chladničky je vychlazen na  $-6^{\circ}\text{C}$ .



**POZNÁMKA** Chcete-li použít režim FREEZER, vyjměte prostor pro zmrazené potraviny.

- ✓ Trvale svítí kontrolka provozního režimu FREEZER  a všechny kontrolky jednotlivých chladicích výkonů.

## 8.7 Nastavení chladicího výkonu

- > Chcete-li nastavit chladicí výkon, opakovaně stiskněte tlačítko , dokud nedosáhnete požadovaného chladicího výkonu.

## 8.8 Přemístění polic



#### VÝSTRAHA! Nebezpečí uvíznutí dětí

NRX0060–0130: Všechny police jsou pevné, takže děti nemohou do chladničky vylézt.

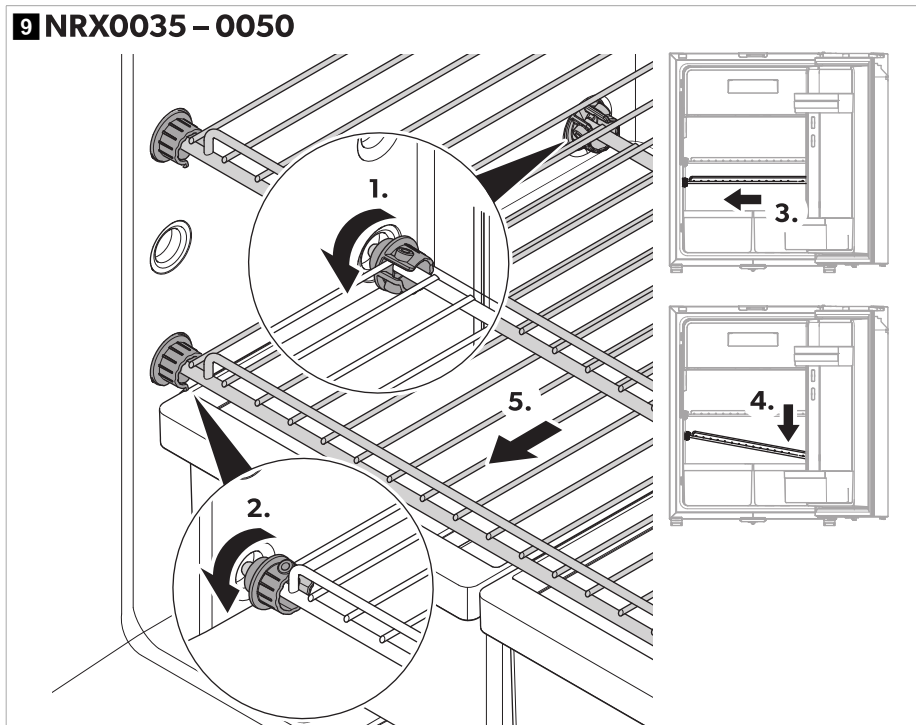
- > Prostřední police vyjměte pouze za účelem čištění.
- > Opět vložte police a zajistěte je na místě.



**POZNÁMKA** Před přemístěním polic vyjměte prostor pro zmrazené potraviny, abyste získali snadnější přístup k zadním knoflíkům polic.

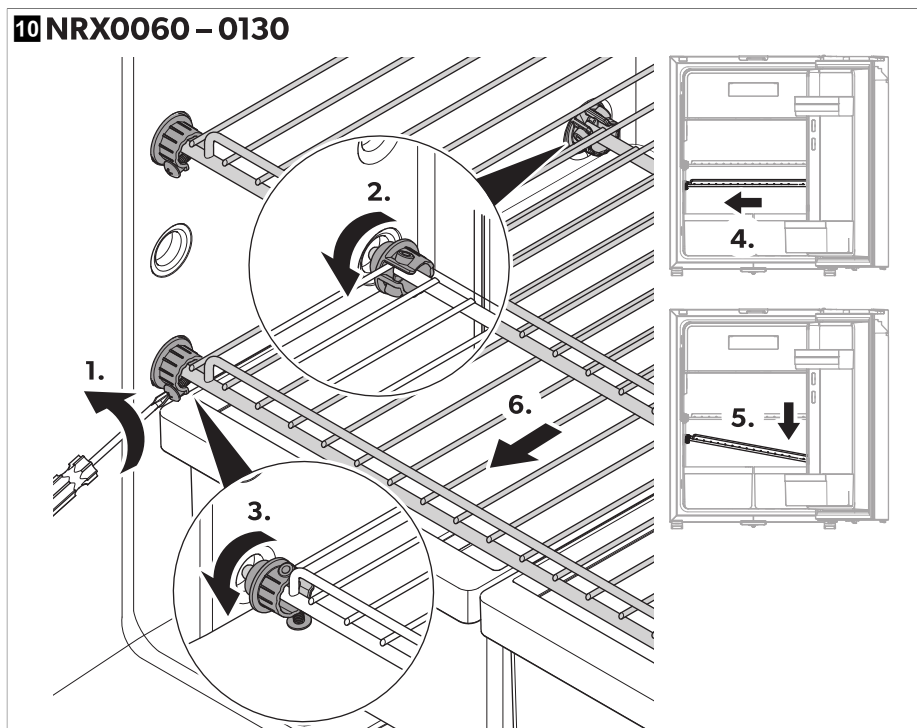
> **NRX0035-0050:** Pro změnu polohy polic dle potřeby postupujte podle obrázku.

## 9 NRX0035 – 0050



- > **NRX0035-0050:** Pro změnu polohy polic dle potřeby postupujte podle obrázku.

## 10 NRX0060 – 0130



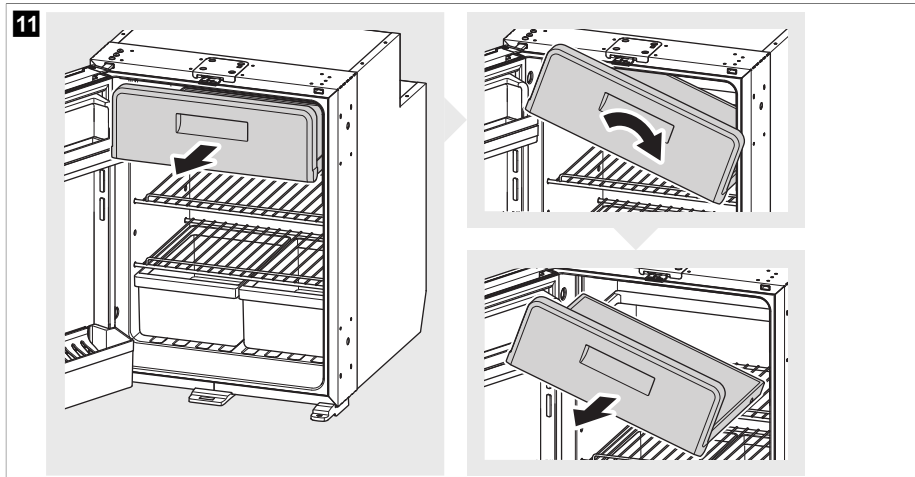
### 8.9 Vyjmutí prostoru pro zmrazené potraviny



#### **POZOR! Nebezpečí poškození**

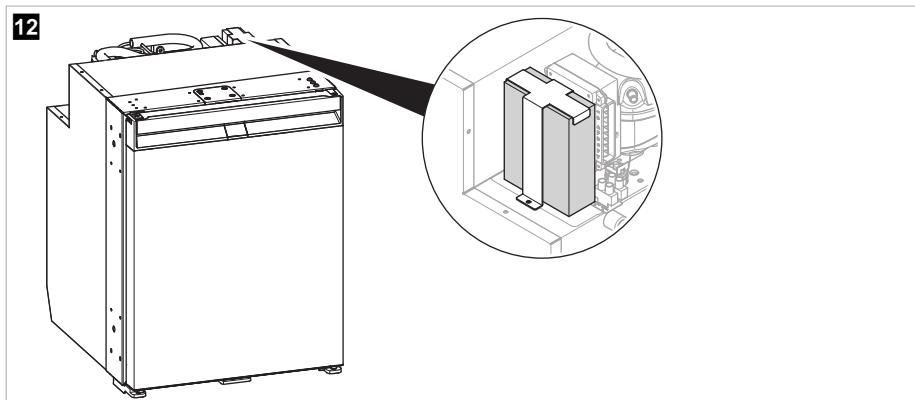
- > Před vyjmutím prostoru pro zmrazené potraviny zavřete jeho dvířka.
- > Uchopte prostor pro zmrazené potraviny za dno. Prostor pro zmrazené potraviny se nesnažte vytáhnout za dvířka.
- > Prostor pro zmrazené potraviny uložte na suchém a bezpečném místě.

> Při vyjímání prostoru pro zmrazené potraviny postupujte podle obrázku.



## 8.10 Instalace adaptéru AC/DC

> Při instalaci adaptéru AC/DC (příslušenství) postupujte podle obrázku.



## 9 Čištění a péče



### **VÝSTRAHA! Nebezpečí usmrcení elektrickým proudem**

Před čištěním a údržbou vždy odpojte chladničku od zdroje napájení.



### **POZOR! Nebezpečí poškození**

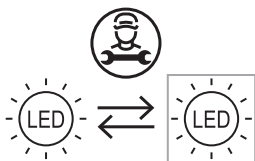
- > Při čištění nepoužívejte brusné čisticí prostředky ani tvrdé předměty.
- > K odstraňování ledu nebo uvolňování zamrzlých předmětů nepoužívejte tvrdé nebo ostré nástroje.
- > Dbejte na to, aby do těsnění nevnikla voda. Mohlo by dojít k poškození elektroniky.





### **POZOR! Nebezpečí poškození**

Světelný zdroj může vyměnit pouze výrobce, zástupce servisu nebo podobně kvalifikovaná osoba, aby se zamezilo nebezpečí.



- > Vnitřní a vnější části chladničky pravidelně čistěte vlhkým hadříkem, jakmile dojde k jejich znečištění. Po vyčištění vytřete chladničku utěrkou dosucha.
- > Pravidelně kontrolujte odtok vodního kondenzátu.  
Podle potřeby vyčistěte odtok vodního kondenzátu. Pokud je ucpaný, hromadí se kondenzát na dně chladničky.
- > Z kompresoru pravidelně odstraňujte prach a nečistoty vlhkým hadříkem.

### **Chladicí okruh**

Chladicí okruh nevyžaduje žádnou údržbu.

### **Odmrazování chladničky**



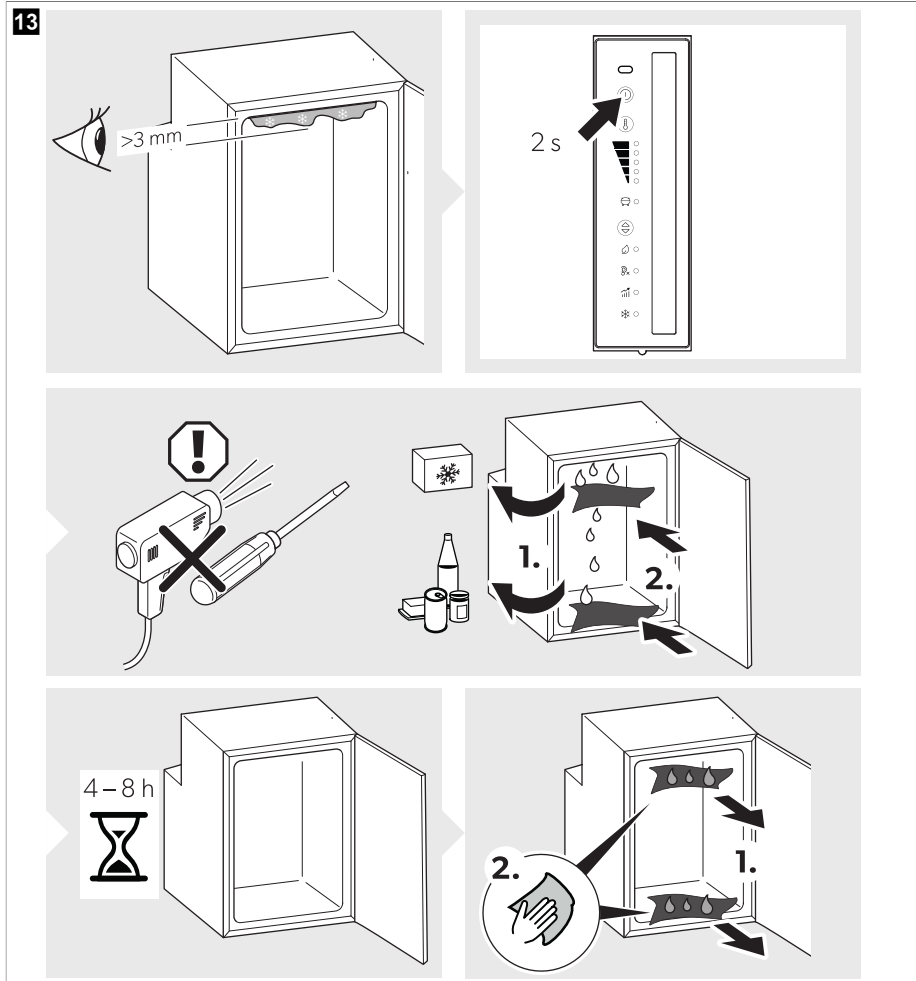
### **POZOR! Nebezpečí poškození**

Nepoužívejte žádné mechanické nebo jiné nástroje k urychlení procesu rozmrazování.



**POZNÁMKA** Postupem času se na zadní stěně uvnitř chladničky tvoří námraza. Pokud je už tato vrstva námrazy asi 3 mm silná, chladničku odmrázte.

> Při odmrazování chladničky postupujte dle vyobrazení.



### Nastavení dvířek chladničky do polohy pro uskladnění



#### UPOZORNĚNÍ! Riziko zranění

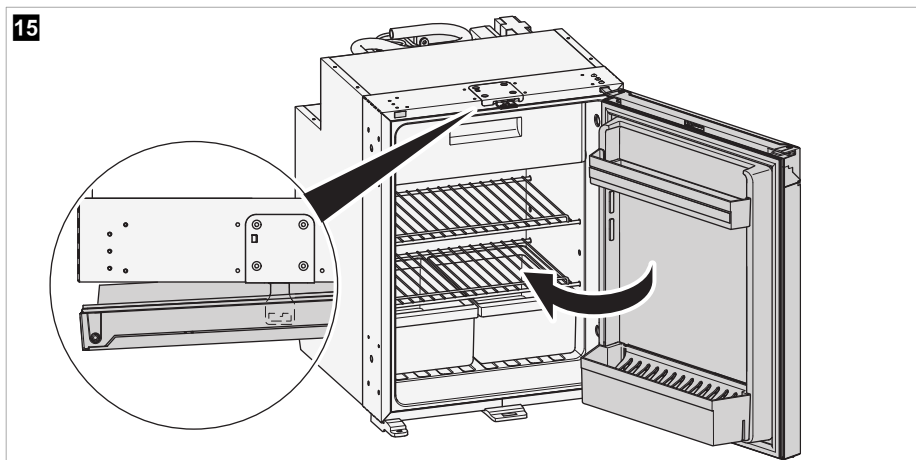
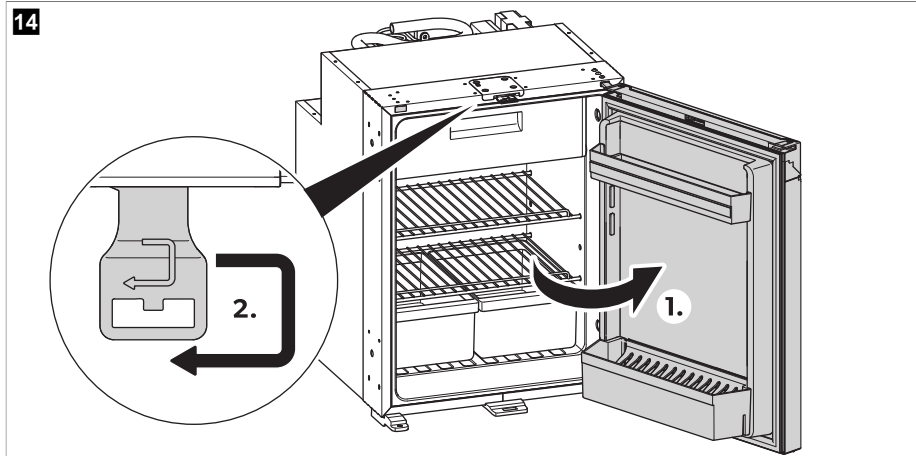
Poloha pro uskladnění nesmí být nastavena během jízdy.



**POZNÁMKA** Pokud nebudete chladničku delší dobu používat, nastavte dvířka do polohy pro uskladnění. Tak se zabrání tvorbě plísňe.

> Odmrazte chladničku (viz Odmrazování chladničky na stránce 371).

> Nastavte dvířka do polohy pro uskladnění, jak ukazují obrázky.

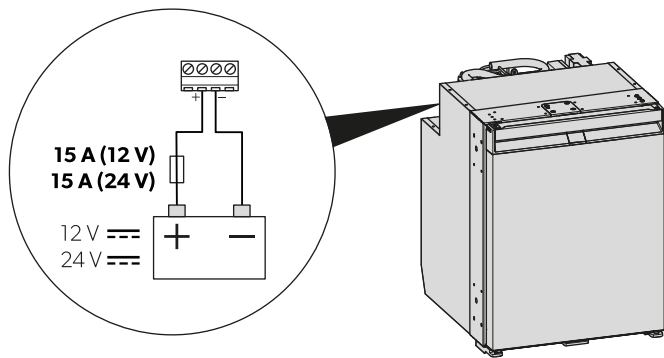



## 10 Řešení problémů



**POZNÁMKA** V zájmu zajištění bezpečného provozu 12 V spotřebičů v karavanu během jízdy je třeba zajistit, aby tažné vozidlo poskytovalo dostatečné napětí. U některých vozidel může řídicí jednotka elektrického systému automaticky vypnout napájení spotřebiče, aby tak chránila akumulátor. V tomto ohledu se informujte u výrobce vašeho vozidla.

16



| Porucha   | Možná příčina  | Návrh řešení  |
|---|--|---|
| Chladnička nefunguje.   | Pojistka kabelu stejnosměrného proudu je vadná.  | > Vyměňte pojistku (  obr. 16 na stránce 374).   |
|   | Pojistka vozidla je přepálená.   | > Vyměňte pojistku vozidla.<br>Informujte se v návodu k obsluze svého vozidla.  |
|   | Autobaterie je vybitá.   | > Zkontrolujte autobaterii a případně ji nabijte.   |
|   | Zapalování není zapnuté.   | > Zapněte zapalování.   |
|   | Teplota na kompresoru je příliš nízká (< 0 °C).  | > Všechny vnější ventilační mřížky zcela zavřete/zakryjte izolačním materiálem.   |
|   | Chladnička se automaticky vypne, jakmile je napětí nedostatečné.<br>(Vypínací napětí: 10,4 V $\Rightarrow$ ) | > Nabijte baterii. Chladnička se opět spustí automaticky.<br>(Napětí k opětovnému zapnutí: 11,7 V $\Rightarrow$ )   |
| Nedostatečné chlazení, zvýšení vnitřní teploty. Kompresor běží nepřetržitě. | Větrání kolem agregátu je nedostatečné.  | > Zkontrolujte, zda jsou větrací mřížky volné.<br>> Chladničku přesuňte na jiné místo.  |
|   | Vnitřní stěny jsou pokryté námrazou.   | > Zkontrolujte, zda se dvířka chladničky správně zavírají.<br>> Ujistěte se, že těsnění chladničky správně sedí a není poškozené.<br>> Odmrazte chladničku (viz Odmrazování chladničky na stránce 371). |
|   | Je nastavena příliš vysoká teplota.  | > Nastavte nižší teplotu.   |
|   | Příliš vysoká okolní teplota.  | > Dočasně sejměte větrací mřížku, aby teplý vzduch rychleji unikal.   |
|   | Do chladničky bylo najednou umístěno příliš velké množství potravin.   | > Vyměňte některé potraviny.  |
|   | Do chladničky byly najednou umístěny příliš teplé potraviny.   | > Teplé potraviny vyjměte a nechte je před uložením vychladnout.  |

| Porucha  | Možná příčina   | Návrh řešení  |
|--|---|---|
|  | Chladnička ještě není dlouho v provozu.   | > Zkontrolujte teplotu znovu po 4 h / 5 h .                           |
|  | Znečištěný kondenzátor.   | > Vyčistíte kondenzátor (viz kapitola Čištění a péče na stránce 370). |
|  | Vadný ventilátor.   | > Kontaktujte autorizovaného zástupce servisu.                        |
| Nedostatečné chlazení, zvýšení vnitřní teploty.<br>Kompresor běží jen občas.                         | Kapacita baterie je vyčerpaná.  | > Nabijte baterii.  |
| Nedostatečné chlazení, zvýšení vnitřní teploty.<br>Kompresor neběží (připojení k baterii)            | Přerušení přívodního vodiče baterie – elektronika.  | > Obnovte spojení.  |
|  | Závada hlavního vypínače (pokud je instalován.)   | > Vyměňte hlavní vypínač.   |
|  | Spálení přídatné pojistky vodiče (pokud je instalována.)  | > Vyměňte pojistky vodiče.  |
|  | Napětí baterie je příliš nízké.   | > Nabijte baterii.  |
|  | Příliš nízká kapacita baterie.  | > Vyměňte baterii.  |
|  | Uvolněné kabely.<br>Špatný kontakt (korozí).  | > Obnovte spojení.  |
|  | Příliš malý průřez vodiče.  | > Vyměňte kabel.  |
|  | Kompresor je vadný.   | > Kontaktujte autorizovaného zástupce servisu.                        |
| Nedostatečné chlazení, zvýšení vnitřní teploty.<br>Kompresor neběží (připojení ke střídavému napětí) | Přerušené přívodní vedení.  | > Obnovte spojení.  |
|  | Závada hlavního vypínače (pokud je instalován.)   | > Vyměňte hlavní vypínač.   |
|  | Spálení přídatné pojistky vodiče (pokud je instalována.)  | > Vyměňte pojistky vodiče.  |
|  | Kompresor je vadný.   | > Kontaktujte autorizovaného zástupce servisu.                        |
| Neobvyklé zvuky.   | Součást chladicího okruhu se nemůže volně pohybovat (dotýká se stěny.)  | > Opatrně vyhněte příslušný díl směrem od překážky.                   |
|  | Cizí těleso mezi chladicím agregátem a stěnou.  | > Odstraňte cizí těleso.  |
|  | Hluk ventilátoru.   | > Kontaktujte autorizovaného zástupce servisu.                        |
| Při pohybu se nechtěně otvírají dvířka (např. při jízdě).  | Dveřní západka je nastavena do polohy <b>A</b> (viz kapitola Nastavení dveřní západky na stránce 362).                                    | > Nastavte dveřní západku do polohy <b>B</b> .                        |
| Dveře se správně nezavírají.   | Dveřní západka je nastavena do polohy <b>A</b> (viz kapitola Nastavení dveřní západky na stránce 362).                                    | > Nastavte dveřní západku do polohy <b>B</b> .                        |
|  | Dveřní západka je nastavena do polohy <b>B</b> (viz kapitola Nastavení dveřní západky na stránce 362), ale dvířka nejsou řádně zajištěna. | > Při zavírání dvířek se ujistěte, že jsou řádně zajištěna.           |

## Indikace poruch



### POZNÁMKA

- > Všechny poruchy indikuje oranžově blikající chybová kontrolka (viz Ovládací a indikační prvky na stránce 361.) Počet světelných impulzů závisí na typu závady. Každý světelný impulz trvá čtvrtinu sekundy. Po sekvenci světelných impulzů následuje pauza. Sekvence se pro příslušnou závadu opakuje každé čtyři sekundy.
- > V režimech ECO, PERFORMANCE a FREEZER je navíc slyšet pípání.

| Frekvence blikání | Chyba                                       | Možná příčina   |
|-------------------|---|---|
| 1                 | Podpětí nebo přepětí                        | Napájecí napětí je mimo nastavený rozsah.   |
| 2                 | Nadproud ve ventilátoru                     | Ventilátor zatěžuje elektronickou jednotku více než 1 A .   |
| 3                 | Motor nespustí                              | Zaseknutý rotor.<br>Tlakový rozdíl v chladicím systému je příliš vysoký.  |
| 4                 | Příliš nízké otáčky                         | Pokud je chladicí systém přetížen, nelze udržet minimální otáčky motoru.  |
| 5                 | Příliš vysoká teplota elektronické jednotky | Při vysokém zatížení chladicího systému nebo v případě příliš vysoké teploty je elektronická jednotka příliš horká. |
| Trvale            | Poruchy snímače teploty                     | Snímač teploty je vadný.  |

## 11 Záruka

Na výrobek je poskytována záruka v souladu s platnými zákony. Pokud je výrobek vadný, kontaktujte pobočku výrobce ve vaší zemi nebo svého prodejce (viz [dometic.com/dealer](http://dometic.com/dealer)).

K vyřízení opravy nebo záruky nezapomeňte odeslat následující dokumenty:

- kopii účtenky s datem zakoupení,
- uvedení důvodu reklamace nebo popis vady.

Upozorňujeme, že oprava svépomocí nebo neodborná oprava může ohrozit bezpečnost a vést ke ztrátě záruky.

## 12 Likvidace



### POZOR! Nebezpečí poškození

Izolace chladicího přístroje obsahuje hořlavý cyklopentan a vyžaduje speciální postupy likvidace. Chladicí přístroj odevzdejte na konci jeho životního cyklu do vhodného střediska pro recyklaci.



Kdekoli je to možné, třídte obalový materiál do příslušných kontejnerů. Informace o likvidaci výrobku v souladu s platnými předpisy pro likvidaci vám sdělí místní recyklační středisko nebo specializovaný obchodník. Evropa: Výrobek lze zlikvidovat bezplatně.

## 13 Technické údaje

Aktuální prohlášení o shodě EU pro váš přístroj naleznete na příslušné stránce produktu na [dometic.com](http://dometic.com) nebo kontaktujte přímo výrobce (viz [dometic.com/dealer](http://dometic.com/dealer)).

Tento přístroj vyhovuje předpisu UN ECE R10.

|  | NRX0035(E/C/S)   | NRX0050(E/C/S)           | NRX0060(E/C/S)           |
|--|--|--------------------------|--------------------------|
| Obsah  |  |                          |                          |
| • Chladicí prostor (pouze NRX0035–0130[C/S])               | 27,3 L   | 39,6 L                   | 48,9 L                   |
| • Prostor pro zmrazené potraviny (pouze NRX0035–0130[C/S]) | 4,4 L  | 4,4 L                    | 6,1 L                    |
| • Celkový objem  | 32 L   | 44 L                     | 55 L                     |
| • Celkový objem (bez prostoru pro zmrazené potraviny)      | 34 L   | 46 L                     | 58 L                     |
| Napájecí napětí  | 12 / 24 V <sup>===</sup>   |                          |                          |
| Ochrana napájecího akumulátoru (12 V)                      |  |                          |                          |
| • Vypínací napětí  | 10,4 V   |                          |                          |
| • Napětí k opětovnému zapnutí                              | 11,7 V   |                          |                          |
| Ochrana napájecího akumulátoru (24 V)                      |  |                          |                          |
| • Vypínací napětí  | 22,8 V   |                          |                          |
| • Napětí k opětovnému zapnutí                              | 24,2 V   |                          |                          |
| Klimatická třída   | T  |                          |                          |
| Rozsah teploty uchovávání:                                 |  |                          |                          |
| • Chladnička   | 0 °C ... 12 °C   |                          |                          |
| • Prostor pro zmrazené potraviny (pouze NRX0035–0130[C/S]) | –15 °C ... –5 °C   |                          |                          |
| • Režim Freezer(pouze NRX0035–0130[C/S])                   | –6 °C  |                          |                          |
| Zamýšlená teplota okolního prostředí                       | 16 °C ... 43 °C  |                          |                          |
| Chladivo   | R134a  |                          |                          |
| Množství chladiva  | 24 g   | 26 g                     | 30 g                     |
| Ekvivalent CO2   | 0,034 t  | 0,037 t                  | 0,043 t                  |
| Potenciál skleníkových plynů (GWP)                         | 1430   |                          |                          |
| Hlukové emise (EN 60704)                                   | 40 ... 45 dB(A)  |                          |                          |
| Rozměry (V x Š x H)  | 525 × 380 × 355 mm<br>(bez kompresoru a distanční podložky)<br><br>525 mm × 380 mm × 480 mm<br><br>(s kompresorem a distanční podložkou) | 525 mm × 380 mm × 510 mm | 525 mm × 448 mm × 537 mm |

|                    | <b>NRX0035(E/C/S)</b>     | <b>NRX0050(E/C/S)</b>     | <b>NRX0060(E/C/S)</b>   |
|--------------------|---------------------------|---------------------------|-------------------------|
| Čistá hmotnost     | E: 13,5 kg<br>C, S: 16 kg | E: 14,5 kg<br>C, S: 17 kg | E: 16 kg<br>C, S: 17 kg |
| Maximální zatížení |                           |                           |                         |
| • dveřní police    | 4 kg                      | 4 kg                      | 5 kg                    |
| • dveří            | E: 4 kg<br>C/S: 8 kg      | E: 4 kg<br>C/S: 8 kg      | E: 5 kg<br>C/S: 10 kg   |

|  | <b>NRX0080(E/C/S)</b>   | <b>NRX0115(E/C/S)</b> | <b>NRX0130(E/C/S)</b> |
|--|-------------------------|-----------------------|-----------------------|
| Obsah  |                         |                       |                       |
| • Chladicí prostor (pouze NRX0035 – 0130[C/S])               | 68,4 L                  | 104,5 L               | 118 L                 |
| • Prostor pro zmrazené potraviny (pouze NRX0035 – 0130[C/S]) | 6,6 L                   | 8,2 L                 | 8,2 L                 |
| • Celkový objem  | 75 L                    | 113 L                 | 126 L                 |
| • Celkový objem (bez prostoru pro zmrazené potraviny)        | 78 L                    | 116 L                 | 130 L                 |
| Napájecí napětí  | 12 / 24 V <sup>==</sup> |                       |                       |
| Ochrana napájecího akumulátoru (12 V)                        |                         |                       |                       |
| • Vypínací napětí  |                         | 10,4 V                |                       |
| • Napětí k opětovnému zapnutí                                |                         | 11,7 V                |                       |
| Ochrana napájecího akumulátoru (24 V)                        |                         |                       |                       |
| • Vypínací napětí  |                         | 22,8 V                |                       |
| • Napětí k opětovnému zapnutí                                |                         | 24,2 V                |                       |
| Klimatická třída   | T                       |                       |                       |
| Teplotní rozsah pro skladování                               |                         |                       |                       |
| • Chladnička   |                         | 0 °C ... 12 °C        |                       |
| • Prostor pro zmrazené potraviny (pouze NRX0035–0130[C/S])   |                         | -15 °C ... -5 °C      |                       |
| • Režim Freezer (pouze NRX0035–0130C/S)                      |                         | -6 °C                 |                       |
| Zamýšlená teplota okolního prostředí                         | 16 °C ... 43 °C         |                       |                       |
| Chladivo   | R134a                   |                       |                       |
| Množství chladiva  | 32 g                    | 40 g                  | 40 g                  |



|                                    | NRX0080(E/C/S)          | NRX0115(E/C/S)          | NRX0130(E/C/S)          |
|------------------------------------|-------------------------|-------------------------|-------------------------|
| Ekvivalent CO2                     | 0,046 t                 | 0,057 t                 | 0,057 t                 |
| Potenciál skleníkových plynů (GWP) | 1430                    |                         |                         |
| Hlukové emise (EN 60704)           | 40 ... 45 dB(A)         |                         |                         |
| Rozměry (V x Š x H)                | 625 x 475 x 537 mm      | 745 x 525 x 568 mm      | 812 x 525 x 568 mm      |
| Čistá hmotnost                     | C, S: 20 kg<br>E: 18 kg | C, S: 26 kg<br>E: 24 kg | C, S: 27 kg<br>E: 25 kg |
| Maximální zatížení                 |                         |                         |                         |
| • dveřní police                    | 5 kg                    | 6 kg                    | 6 kg                    |
| • dveří                            | 10 kg                   | E: 12 kg<br>C/S: 18 kg  | E: 12 kg<br>C/S: 18 kg  |

## 14 Technické údaje

Aktuální prohlášení o shodě EU pro váš přístroj naleznete na příslušné stránce produktu na [dometic.com](http://dometic.com) nebo kontaktujte přímo výrobce (viz [dometic.com/dealer](http://dometic.com/dealer)).

Tento přístroj vyhovuje předpisu UN ECE R10.

|   | NRX0090V                |
|---|-------------------------|
| Obsah   |                         |
| • Chladicí prostor                                    | 79 L                    |
| • Prostor pro zmrazené potraviny                      | 8,4 L                   |
| • Celkový objem                                       | 87 L                    |
| • Celkový objem (bez prostoru pro zmrazené potraviny) | 92 L                    |
| Napájecí napětí                                       | 12 / 24 V <sup>==</sup> |
| Ochrana napájecího akumulátoru (12 V)                 |                         |
| • Vypínací napětí                                     | 10,4 V                  |
| • Napětí k opětovnému zapnutí                         | 11,7 V                  |
| Ochrana napájecího akumulátoru (24 V)                 |                         |
| • Vypínací napětí                                     | 22,8 V                  |
| • Napětí k opětovnému zapnutí                         | 24,2 V                  |
| Spotřeba elektrické energie                           | 0,35 kWh / 24 h         |
| Klimatická třída                                      | T                       |
| Teplotní rozsah pro skladování                        |                         |
| • Chladnička  | 0 °C ... 15 °C          |
| • Prostor pro zmrazené potraviny                      | -12 °C ... -5 °C        |
| • Režim FREEZER (MRAZNIČKA)                           | -5 °C ± 2 °C            |

|                                      | <b>NRX0090V</b>          |
|--------------------------------------|--------------------------|
| Zamýšlená teplota okolního prostředí | 16 °C ... 43 °C          |
| Chladivo                             | R600a                    |
| Množství chladiva                    | 22 g                     |
| Ekvivalent CO <sub>2</sub>           | 0,000 t                  |
| Potenciál skleníkových plynů (GWP)   | 3                        |
| Hlukové emise (EN60704)              |                          |
| • Režim PERFORMANCE (VÝKON)          | < 40 dB(A)               |
| • Režim QUIET (TICHÝ)                | 37 dB(A)                 |
| Rozměry (V x Š x H)                  | 821 mm × 486 mm × 480 mm |
| Čistá hmotnost                       | 22 kg                    |

## Magyar

|    |                                 |     |
|----|---------------------------------|-----|
| 1  | Fontos információk.....         | 381 |
| 2  | Szimbólumok magyarázata.....    | 381 |
| 3  | Biztonsági útmutatások.....     | 382 |
| 4  | A csomag tartalma.....          | 384 |
| 5  | Tartozékok.....                 | 385 |
| 6  | Rendeltetésszerű használat..... | 386 |
| 7  | Műszaki leírás.....             | 386 |
| 8  | Üzemeltetés.....                | 389 |
| 9  | Tisztítás és karbantartás.....  | 397 |
| 10 | Hibaelhárítás.....              | 400 |
| 11 | Garancia.....                   | 403 |
| 12 | Ártalmatlanítás.....            | 403 |
| 13 | Műszaki adatok.....             | 404 |
| 14 | Műszaki adatok.....             | 406 |

## 1 Fontos információk

A termék mindenkoriszakszerű telepítése, használata és karbantartása érdekében kérjük figyelmesen olvassa el az ebben a termék kézikönyvben található utasításokat, irányelveket és figyelmeztetéseket, valamint mindig tartsa be ezeket. Ezt az útmutatót a termék közelében KELL tartani.

A termék használatba vételével Ön kijelenti hogy figyelmesen elolvasta az összes utasítást, irányelvet és figyelmeztetést, valamint megértette és elfogadja az itt leírt szerződési feltételeket. Ön elfogadja, hogy kizárólag a rendeltetésének megfelelő célra és a jelen termék kézikönyvben leírt útmutatásoknak, irányelveknek és figyelmeztetéseknek, valamint a hatályos törvényeknek és szabályozásoknak megfelelően használja ezt a terméket. Az itt leírt utasítások és figyelmeztetések elolvasásának és betartásának elmulasztása saját és mások sérüléséhez, a termék vagy a közelben található más anyagi javak károsodásához vezethet. Ez a termék kézikönyv és benne található utasítások, irányelvek és figyelmeztetések, valamint a kapcsolódó dokumentációk módosulhatnak és frissülhetnek. Naprakész termékinformációkért látogasson el a következő honlapra: [documents.dometic.com](http://documents.dometic.com).

## 2 Szimbólumok magyarázata

A figyelmeztető szavak a biztonsági utasítások, valamint a vagyoni károk elkerülésére szolgáló utasítások jelzésére szolgálnak, továbbá a veszély súlyosságát is jelzik.



### **VESZÉLY!**

Veszélyes helyzetet jelöl, amely súlyos sérülést vagy halált okoz, ha nem kerülik el.



### **FIGYELMEZTETÉS!**

Veszélyes helyzetet jelöl, amely súlyos sérülést vagy halált okozhat, ha nem kerülik el.



### **VIGYÁZAT!**

Veszélyes helyzetet jelöl, amely könnyű vagy mérsékelt sérülést okozhat, ha nem kerülik el.



### **FIGYELEM!**

Olyan helyzetet jelöl, amely vagyoni kárt okozhat, ha nem kerülik el.



**MEGJEGYZÉS** A termék kezelésére vonatkozó kiegészítő információk.

## 3 Biztonsági útmutatások

### Alapvető biztonság



#### FIGYELMEZTETÉS! Áramütés miatti veszély

- > A hűtőszekrény beszerelését és eltávolítását csak képzett szakember végezheti.
- > A nedves környezetben és vizes helyiségekben történő telepítéseket csak szakemberrel végeztesse el.
- > A hűtőszekrényt előtétet alatt vagy hasonló környezetben működtetve gondoskodni kell arról, hogy az védve legyen az esőtől és a fröccsenő víztől.
- > Ne használja a hűtőszekrényt, ha az szemmel láthatóan megsérült.
- > Ezen a hűtőszekrényen csak képzett szakember végezhet javításokat. A szakszerűtlen javítások jelentős veszélyeket okozhatnak, ill. a hűtőszekrény károsodhat.
- > Ha a hűtőszekrény tápkábele megsérült, akkor azt a biztonsági kockázatok elkerülése érdekében a gyártóval, a vevőszolgálattal vagy egy hasonlóan képzett szakemberrel ki kell cseréltetni.
- > A hűtő elhelyezésekor ügyeljen arra, hogy ne csípj be és ne károsítsa a tápkábelt.
- > Ne helyezzen el több hordozható aljzatot vagy hordozható tápegységet a hűtő hátsó részénél.
- > Soha ne fogjon meg pusztá kézzel csupasz vezetékeket.
- > A készüléket olyan aljzatba illeszse be, amely biztosítja a megfelelő csatlakozást, különösen akkor, ha a készüléket földelni kell.
- > Ha a készüléket a elektromos hálózatról táplálja, akkor biztosítsa, hogy a hálózat rendelkezzen maradékáram megszakítóval (RCCB) vagy földelési hiba áramkör-megszakítóval (GFCI). A telepítéskor az összes vonatkozó előírást be kell tartani, különösen a potenciálisan nedves területekre vonatkozóan.



#### FIGYELMEZTETÉS! Tűzveszély

- > A hűtőközegkör kis mennyiségű környezetbarát, hűtőközeget tartalmaz. Nem károsítja az ozonréteget és nem növeli az üvegházhatást. A kiszivárgó hűtőközeg meggyulladhat.
- > Ne használja vagy tárolja a hűtőszekrényt olyan zárt helyiségekben, ahol minimális a légáramlás, vagy nincs is ilyen.
- > A hűtőszekrény beépítési nyílásában ne legyenek olyan elektromos alkatrészek és fényforrások, amelyek normál vagy rendellenes működés közben szikrákat vagy elektromos íveket hoznak létre (pl. relék vagy biztosítékdobozok).
- > A hűtőszekrény szigetelése gyúlékony ciklopentánt tartalmaz, amely speciális ártalmatlanítási eljárásokat igényel. Élettartama végén megfelelő hulladékkezelő központban adja le a hűtőszekrényt.



#### FIGYELMEZTETÉS! Robbanásveszély

Ne tároljon a hűtőszekrényben robbanásveszélyes anyagokat, például gyúlékony hajtógázt tartalmazó aeroszol-palackokat.



#### FIGYELMEZTETÉS! Egészségkárosodás veszélye

- > A hűtőkészülék 8 év feletti gyermekek, valamint korlátozott fizikai, érzékelési és mentális képességű, illetve megfelelő tapasztalattal és tudással nem rendelkező személyek csak felügyelet mellett, illetve a hűtőkészülék biztonságos használatát és az abból eredő veszélyeket megértve használhatják.
- > A hűtőszekrény ki- és berakodása 3 és 8 év közötti gyermekek számára engedélyezett.
- > A tisztítást és a felhasználói karbantartást felügyelet nélküli gyermekek nem végezhetik.
- > A gyermekeket felügyelni kell annak érdekében, hogy ne játsszanak a hűtőszekrényrel.



#### FIGYELMEZTETÉS! Gyermekek beszorulásának kockázata

- > Gondoskodjon arról, hogy a polcok beszerelése és rögzítése révén a gyermekek ne tudják bezárni magukat a hűtőszekrénybe.

- > A régi hűtőkészülék ártalmatlanítása előtt:
  - Szerelje ki a fiókokat.
  - Hagyja a polcokat a hűtőszekrényben, hogy gyermekek ne mászhassanak bele.
- > Akassza ki az ajtókat.



### **VIGYÁZAT! Egészségkárosodás veszélye**

- > A hűtőszekrény instabilitása miatti kockázatok elkerülése érdekében a telepítési utasításoknak megfelelően kell rögzíteni azt.
- > Ügyeljen arra, hogy a hűtőszekrényen vagy beépített szerkezeten lévő szellőzőnyílások ne záródjanak el.
- > A jégtelenítési művelet meggyorsításához a gyártó által javasoltakon kívül ne használjon egyéb mechanikus vagy más készülékeket.
- > Semmilyen esetben ne nyissa fel vagy károsítsa a hűtőkört.
- > Ne használjon elektromos készülékeket a hűtőszekrény belsejében, kivéve, ha ezeket az elektromos készülékeket a gyártó erre a célra javasolja.



### **VIGYÁZAT! Sérülés kockázata**

- > A hűtőszekrényben vagy annak közelében tilos tűzveszélyes anyagokat használni vagy tárolni.
- > Ne helyezzen tárgyakat a hűtőszekrényre vagy a hűtőszekrény mellé.
- > Ne végezzen módosításokat a hűtőszekrényen.



### **FIGYELEM! Károsodás veszélye**

- > Az egyenáramú üzemet csak akkor válassza, ha a jármű motorja üzemel és a generátor elegendő feszültséget ad, vagy ha akkumulátorfelügyelőt alkalmaz.
- > Mindig tartsa tisztán a kondenzvíz-elvezető csövet, ha van.
- > Ha a hűtőszekrény rendelkezik szellőzőrácsokkal, ne használjon nagynyomású tisztítóberendezést a szellőzőrácsok közelében a jármű tisztításakor.
- > A hűtőszekrényt ne tegye ki az eső hatásának.
- > Soha ne húzza ki a csatlakozódugót a csatlakozókábelnél fogva az aljzatból.

## **Biztonság a hűtőkészülék üzemeltetése során**



### **VESZÉLY! Áramütés miatti veszély**

A hűtőkészülék üzembe helyezése előtt ügyeljen arra, hogy a vezeték és a dugasz száraz legyen.



### **VIGYÁZAT! Egészségkárosodás veszélye**

- > Gondoskodjon róla hogy csak olyan áruk legyenek a hűtőszekrényben, amelyek lehűthetők a kiválasztott hőmérsékletre.
- > Tisztítsa meg rendszeresen az élelmiszerral érintkező felületeket és a hozzáférhető lefolyórendszereket.
- > Annak érdekében, hogy a nyers hús és hal ne érhesen hozzá és ne csepegjen rá más élelmiszerekre, megfelelő tárolóedényekben tartsa ezeket a hűtőszekrényben.
- > Ha hosszabb időszakokra kinyitja az ajtót, azzal jelentősen megnövekedhet a hőmérséklet a hűtőszekrény rekeszeiben. Ha hosszú időre üresen hagyja a hűtőkészüléket:
  - Kapcsolja ki a hűtőszekrényt.
  - Olvassa le a hűtőszekrényt.
  - Tisztítsa meg és szárítsa meg a hűtőkészüléket.
  - A hűtőkészülék belsejében történő penészképződés elkerülése érdekében hagyja nyitva az ajtót. Állítsa téli állásba a hűtőszekrény és a fagyasztó ajtaját, ha rendelkeznek ilyen funkcióval.



**VIGYÁZAT! Sérülés kockázata**

- > Ne nyúljon a zsanérok közé.
- > Az induláskor zárja be és reteszelje a hűtőszekrény ajtaját.
- > A hűtőszekrény hátoldalán lévő hűtőrendszer üzem közben nagyon felforrósodik. Ha a hűtőszekrény rendelkezik szellőzőrácsokkal, ügyeljen rá, hogy ne érjen a forró alkatrészekhez a szellőzőrácsok eltávolításakor.
- > Nem megfelelő használat mellett a készülék ajtaja, illetve a fagyasztó ajtaja teljesen leválhat a készülékről. Addig nyomja az ajtókat, amíg nem hallja egyértelműen, hogy az alul és felül a helyére pattantak.



**FIGYELEM! Károsodás veszélye**

- > Ne támaszkodjon rá a kinyitott hűtőszekrényajtóra.
- > Nehéz tárgyakat, pl. palackokat, vagy dobozokat kizárólag a hűtőszekrény ajtajában, a zöldségekben, vagy az alsó polcon tárolja.
- > Ha a hűtőszekrény kétoldalas ajtóval rendelkezik és az ajtó nincs megfelelően reteszelve a szemben lévő oldalon, addig nyomja azon az oldalon az alsó és felső részét, amíg nem rögzül a helyén.
- > **Túmelegedés veszélye!** Mindig ügyeljen arra, hogy az üzemeltetés során keletkező hő kielégítően eltávozhasson. A levegő keringetése érdekében gondoskodjon arról, hogy a hűtőszekrény megfelelő távolságban álljon a faltól vagy tárgyaktól.
- > Ne töltsön folyadékot vagy jeget a belső részbe.
- > Védje a hűtőkészüléket és a kábeleket a hőtől és a nedvességtől.
- > Soha ne húzza ki a csatlakozódugót a csatlakozókábelnél fogva az aljzatból.



**MEGJEGYZÉS**

- > Ha a járműve akkumulátorkezelő rendszere az akkumulátor védelme érdekében kikapcsolja a hűtőszekrényt, lépjen kapcsolatba a jármű gyártójával.
- > 15 °C ... 25 °C közötti környezeti hőmérséklet esetén válassza az átlagos hőmérséklet-beállítás.
- > Ha az ajtó nincs megfelelően reteszelve a szemben lévő oldalon, addig nyomja azon az oldalon az alsó és felső részét, amíg nem rögzül a helyén.
- > Az élelmiszer-pazarlás elkerülése érdekében vegye figyelembe a következőket:
  - Tartsa a lehető legalacsonyabb szinten a hőmérséklet ingadozását. A fagyasztó ajtaját csak olyan gyakran és annyi ideig nyissa ki ahányszor és ameddig ez feltétlenül szükséges. Úgy rendezze el az élelmiszert, hogy a levegő jól tudjon áramolni.
  - Gondoskodjon róla hogy csak olyan áruk legyenek a hűtőszekrényben, amelyek lehűthetők a kiválasztott hőmérsékletre.
  - A különböző élelmiszertípusokat az ábrákon látható módon tárolja.
  - Ha be lehet állítani a hőmérsékletet: A hőmérsékletet az élelmiszer mennyiségéhez és típusához állítsa be.
  - Az élelmiszerek könnyen elvesznek vagy kibocsátanak szagokat vagy ízeket. Az élelmiszereket mindig lefedve vagy zárt edényekben/palackokban tárolja.

**4 A csomag tartalma**

| Mennyiség | Leírás                            |
|-----------|-----------------------------------|
| 1         | Kompresszoros hűtőszekrény        |
| 1         | Leeresztő könyök                  |
| 1         | Rövid használati útmutató         |
| 1         | Használati útmutató (csak online) |

| Mennyiség | Leírás             |
|-----------|--------------------|
| 1         | Szerelési útmutató |

## 5 Tartozékok

Tartozékként kapható (nincs mellékelve):

| Leírás                              | Cikksz.    |
|-------------------------------------|------------|
| Csúszópánt                          | 9620012939 |
| Rögzítőkeret alsó kerettel          |            |
| • NRX0035, NRX0050                  | 9620012877 |
| • NRX0060                           | 9620012881 |
| • NRX0080                           | 9620012882 |
| • NRX0115                           | 9620012878 |
| • NRX0130                           | 9620012876 |
| Rögzítőkeret alsó kerettel (fekete) |            |
| • NRX0035, NRX0050                  | 9620012874 |
| • NRX0060                           | 9620012875 |
| • NRX0080                           | 9620012880 |
| • NRX0115                           | 9620012879 |
| • NRX0130                           | 9620012883 |
| Eltávolított fagyszek polccseréje   |            |
| • NRX0035, NRX0050                  | 9620012933 |
| • NRX0060                           | 9620012938 |
| • NRX0080                           | 9620012935 |
| • NRX0115, NRX0130                  | 9620012932 |
| Fagyszek                            |            |
| • NRX0035, NRX0050                  | 9620012931 |
| • NRX0060                           | 9620012936 |
| • NRX0080                           | 9620012934 |

| Leírás                             | Cikksz.                            |
|------------------------------------|------------------------------------|
| • NRX0115, NRX0130                 | 9620012937                         |
| Váltakozó/egyenfeszültségű adapter | 9620013449 (EU)<br>9620013450 (UK) |

## 6 Rendeltetészerű használat

A hűtőszekrény a következő célokra alkalmas:

- Lakókocsikba, lakóautókba, hajókba és tehergépjárművekbe történő beépítés
- Élelmiszer hűtése és tárolása
- **Csak az NRX0035-0130(C/S) modellnél:** Előfagyasztott élelmiszer tárolása
- Beltéri használat

Ez a hűtőszekrény nem alkalmas professzionális, kiskereskedelmi és háztartási használatra.

A hűtőszekrény a következő célokra **nem** alkalmas:

- Gyógyszerek tárolása
- Korrozív anyagok vagy olyan anyagok tárolására, amelyek oldószereket tartalmaznak
- Élelmiszer gyorsfagyasztása
- Kültéri használatra

Hajón történő használat esetén a készüléket nappali helyiségben kell elhelyezni, nem a nyílt fedélzeten.

A fagyos rekesz előre fagyasztott élelmiszer tárolására, jégkrém készítésére és tárolására és jégkockák készítésére alkalmas. Korábban le nem fagyasztott élelmiszer lefagyasztására nem alkalmas.

A hűtőszekrényt rendeltetésének megfelelően egy szekrénybe vagy fülkébe kell beszerelni.

Az optimális hűtési teljesítmény 16 °C ... 43 °C közötti környezeti hőmérsékleten és maximum 90 % -os páratartalom mellett érhető el.

Ez a termék az itt leírt utasításoknak megfelelően rendeltetészerű használatra alkalmas.

Ez a kézikönyv olyan információkat nyújt, amelyek a termék szakszerű telepítéséhez és/vagy üzemeltetéséhez szükségesek. A hibás telepítés és/vagy a szakszerűtlen üzemeltetés vagy karbantartás elégtelen teljesítményhez és potenciálisan meghibásodáshoz vezethet.

A gyártó nem vállal felelősséget a termék olyan károsodásáért, vagy sérülésekért, amelyek a következőkre vezethetők vissza:

- Hibás beszerelés, összeszerelés vagy csatlakoztatás, ideértve a túlfeszültséget is
- Helytelen karbantartás, vagy a gyártó által szállított eredeti tartalék alkatrésztől eltérő tartalék alkatrészek használata
- A termék kifejezett gyártói engedély nélküli módosítása
- Az útmutatóban leírt céloktól eltérő felhasználás

A Dometic fenntartja a termék megjelenésének és specifikációjának módosítására vonatkozó jogát.

## 7 Műszaki leírás

A hűtőszekrény egy kompresszoros hűtőszekrény.



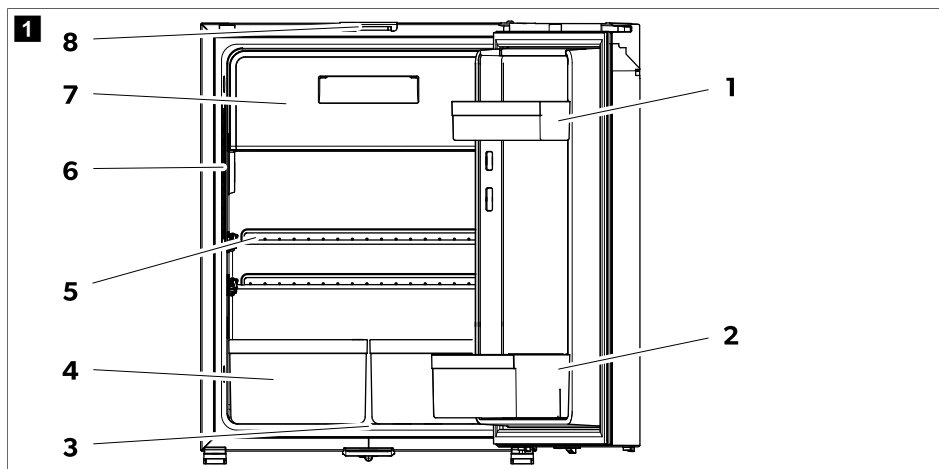
A hűtőszekrény különböző energiaszintekkel való üzemeltetésre alkalmas, és egyenfeszültségről vagy váltakozó feszültségről is üzemeltethető.

NRX0035-0130(C/S): A modell gyárilag el van látva fagyos rekesssel, amely kivehető és visszahelyezhető.

A hűtőszekrény ajtaja olyan reteszelőmechanizmussal rendelkezik, amely egyidejűleg szállítási biztosításként is működik.

A hűtőkészülékben felhasznált anyagok élelmiszerek szempontjából veszélytelenek.

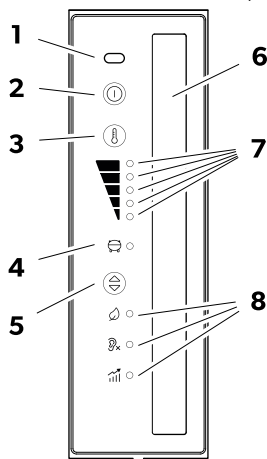
## A készülék leírása



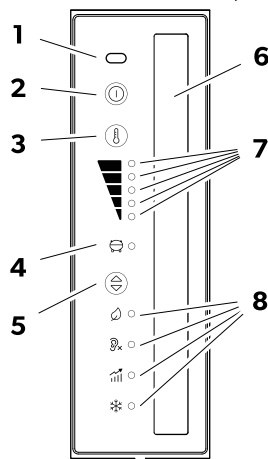
| Sz. | Magyarázat   |
|-----|--|
| 1   | Ajtótároló (csak NRX0035-0130[C/S], NRX0080-0130[E]) |
| 2   | Palackpolc   |
| 3   | Kondenzátum lefolyó                                  |
| 4   | Frissentartó rekesz (csak NRX0035-0130[C/S])         |
| 5   | Szekrénypolc   |
| 6   | Vezérlőpanel kijelzővel                              |
| 7   | Fagyos rekesz (csak NRX0035 - 0130[C/S])             |
| 8   | Ajtóretesz szellőztetéshez                           |


## Kezelő- és kijelzőelemek

### NRX0035 – 0130 (E)



### NRX0035 – 0130 (C/S)



| Sz. | Magyarázat  |
|-----|---|
| 1   | IR ajtónyitás-érzékelő  |
| 2   | Ⓞ BE/KI gomb  |
| 3   | Ⓜ Hűtési szintet beállító gomb  |
| 4   | Kompresszor és hibajelző LED  |
| 5   | Ⓢ Üzem mód gomb   |
| 6   | Belső világítás   |
| 7   | Hűtési szint jelző LED-ek<br> <ul style="list-style-type: none"> <li>5. hűtési szint</li> <li>4. hűtési szint</li> <li>3. hűtési szint</li> <li>2. hűtési szint</li> <li>1. hűtési szint</li> </ul> |
| 8   | Üzem módjelző LED-ek  |





## Kompresszor és hibajelző LED

A kompresszor és a hibajelző LED kijelzi a kompresszor üzemi állapotát, illetve jelzi a hibát:

| Szín                  | Leírás                             |
|-----------------------|------------------------------------|
| Fehér                 | Kompresszor be                     |
| Narancssárga          | Kompresszor ki                     |
| Narancssárga (villog) | Hiba (lásd: Hibajelzés 403. oldal) |

## Üzem módjelző LED-ek

Az üzem módjelző LED-ek a következő beállítási lehetőségeket jelenítik meg:

| Szimbólum   | Leírás  |
|---|---|
|  | ECO-mód:<br>Csökkentett energiafogyasztású üzemmód.<br>1 – 3 hűtési szint   |
|  | QUIET-mód:<br>Csökkentett zajszintű üzem.<br>1 – 4 hűtési szint   |
|  | PERFORMANCE-mód:<br>1 – 5 hűtési szint  |
|  | FAGYASZTÓ üzemmód (csak NRX0035-0130[C/S]):<br>Üzem eltávolított fagyas rekesszel. Lehűti a hűtőszekrény teljes belső terét – 6 °C -ra. |

## 8 Üzemeltetés

### 8.1 Az első használat előtt

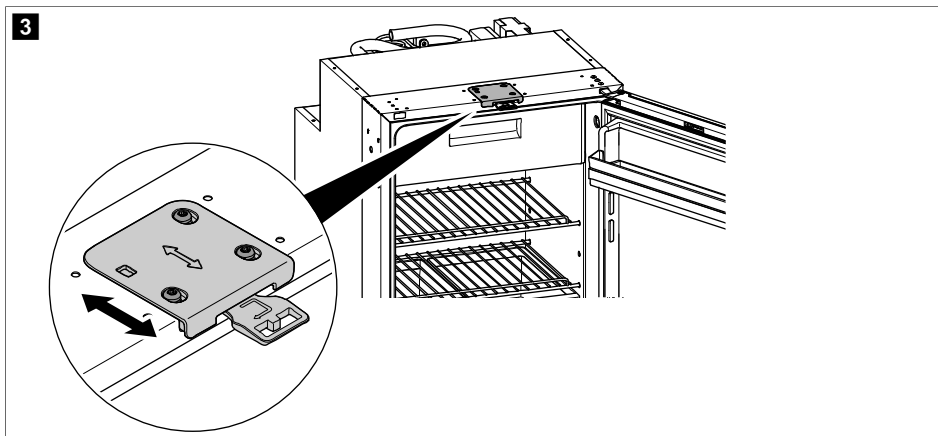


#### MEGJEGYZÉS

- > Az üzemeltetés első 4 órája során ne tároljon árukat a hűtőszekrényben.
- > A hűtőszekrény első üzembe helyezése során szagképződés történhet, mely egy pár óra múltán megszűnik. Alaposan szellőztesse ki a lakóhelyiséget.
- > A hűtési teljesítményt az alábbiak befolyásolhatják:
  - Környezeti hőmérséklet (pl. ha a járművet közvetlen napsütés éri)
  - A lehűtendő élelmiszerek mennyisége
  - Az ajtónyitás gyakorisága
- > Higiéniai okokból tisztítsa meg a hűtőszekrény belső részét (lásd a Tisztítás és karbantartás 397. oldal című fejezetet).
- > Álljon vízszintes helyre a járművel, különösen az üzembe helyezés előtt, és az utazás megkezdése előtt töltsse fel a hűtőszekrényt.

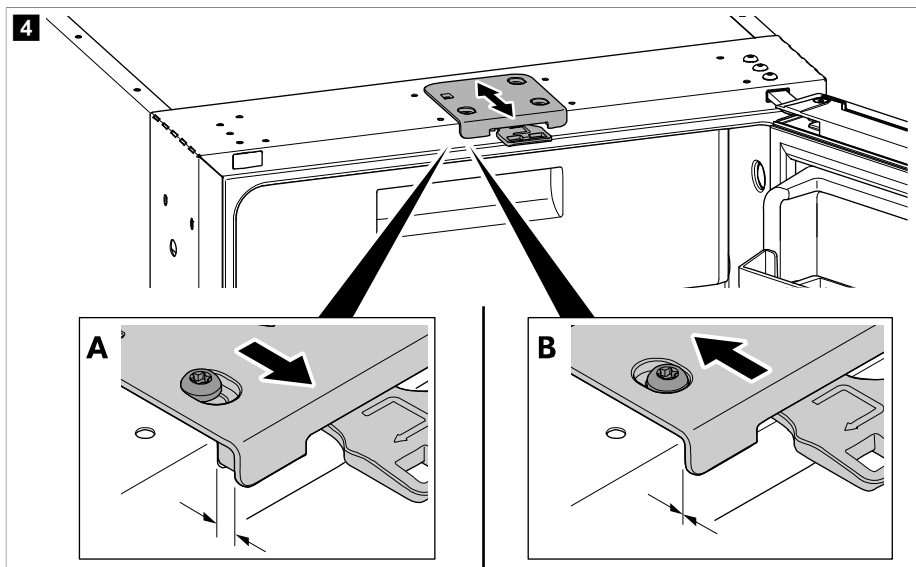
#### 8.1.1 Az ajtóretesz beállítása

A hűtőszekrény tetején lévő ajtóretesz állítható az ajtó zárási szélességének szabályozása érdekében.



**i** **MEGJEGYZÉS** Ellenőrizze, hogy fel van-e szerelve az állítható ajtóretesz. Szükség esetén rendelje meg az állítható ajtóreteszt ([dometic.com](http://dometic.com)), és cserélje ki a rögzített ajtóreteszt az állítható ajtóretesze.

> Az ajtóretesz gyárilag **A** helyzetbe van állítva. Állítsa az ajtóreteszt **B** helyzetbe.



**i** **MEGJEGYZÉS** Ha az ajtóretesz **B** helyzetben van, becsukáskor ügyeljen arra, hogy az ajtó megfelelően reteszelődjön (lásd A hűtőszekrény ajtajának bezárása és rögzítése 392. oldal című fejezetet).

## 8.2 Élelmiszerek tárolására vonatkozó információk



### VIGYÁZAT! Egészségkárosodás veszélye

Ha a hűtőszekrény hosszabb ideig 10 °C alatti környezeti hőmérsékletnek van kitéve, akkor a fagyos rekesz hőmérsékletének szabályozása nem garantálható. Ebben az esetben a fagyos rekesz hőmérséklete megemelkedhet és a tártul áruk kiolvadhatnak.

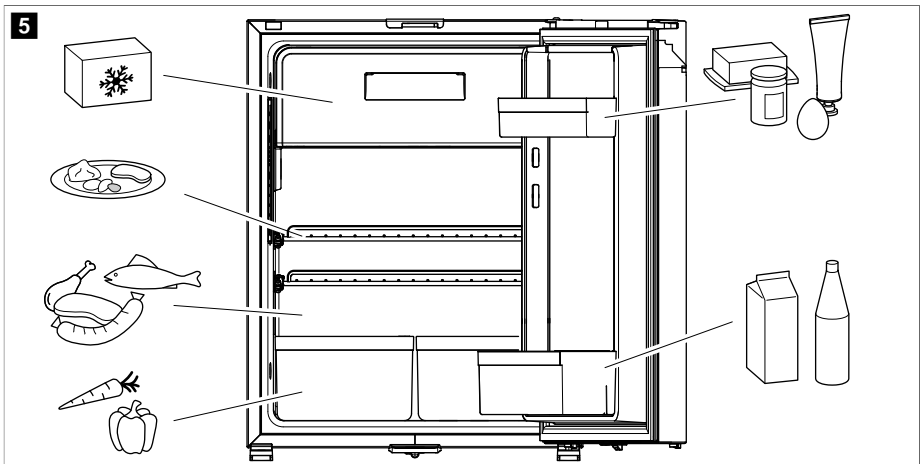


### FIGYELEM! Károsodás veszélye

- > A hűtőszekrény feltöltésekor tartsa be az ajtóárolónkénti és ajtónkénti maximális terhelést (lásd: Műszaki adatok 404. oldal).
- > A fagyos rekeszben ne tartson szénsavas italokat.

Az élelmiszer-pazarlás elkerülése érdekében vegye figyelembe a következőket:

- Tartsa a lehető legalacsonyabb szinten a hőmérséklet ingadozását. A hűtőszekrény ajtaját csak olyan gyakran és annyi ideig nyissa ki ahányszor és ameddig ez feltétlenül szükséges. Úgy rendezze el az élelmiszert, hogy a levegő jól tudjon áramolni.
- A hőmérsékletet az élelmiszer mennyiségéhez és típusához állítsa be.
- A különböző élelmiszertípusokat az ábrákon látható módon tárolja.
- Az élelmiszerek könnyen felvesznek vagy kibocsátanak szagokat vagy ízeket. Az élelmiszereket mindig lefedve vagy zárt edényekben/palackokban tárolja.
- > Az élelmiszert az ábrán látható módon tárolja.



## 8.3 Energiatakarékosság

- A hűtőszekrény ajtaját csak olyan gyakran és annyi ideig nyissa ki ahányszor és ameddig ez feltétlenül szükséges.
- Hagyja lehűlni a meleg ételeket, mielőtt azokat hűtés céljára a készülékbe helyezné.
- Ha a hűtőszekrényben jég réteg alakult ki, olvassza le.
- Kerülje a szükségtelenül alacsony hőmérsékleti beállításokat.
- Az optimális energiafogyasztás érdekében a polcokat és a fiókokat a kiszállítási helyzetükbe pozicionálja.
- Rendszeresen ellenőrizze, hogy az ajtó tömítés megfelelően zár-e.
- Rendszeres időközönként tisztítsa meg a kondenzátort a portól és szennyeződésektől.

## 8.4 A hűtőszekrény ajtajának használata



### VIGYÁZAT! Sérülés kockázata

Nem megfelelő használat esetén a hűtőszekrény ajtaja, illetve a fagyas rekész ajtaja teljesen leválhat a készülékről.

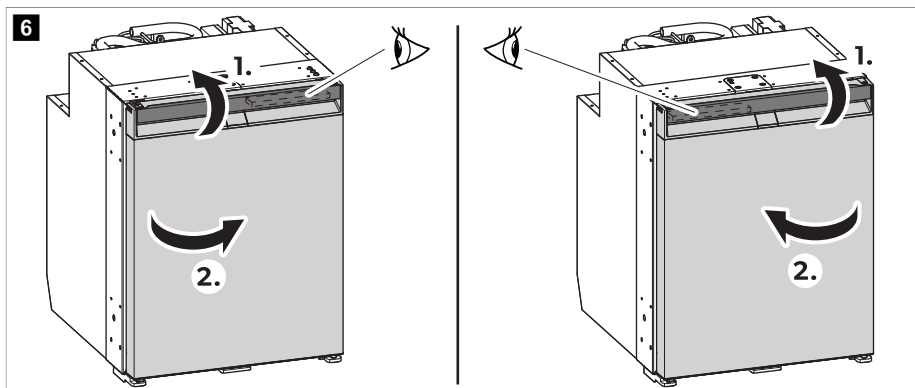
### 8.4.1 A hűtőszekrény ajtajának nyitása



### MEGJEGYZÉS

Húzza meg az ajtóütközővel szemköztli oldalon lévő fogantyút. Vegye figyelembe a csúszóelem megfelelő pozícióját. Lásd a hozzá tartozó kézikönyvben.

> A hűtőszekrény ajtajának nyitásához az itt bemutatott módon járjon el.



### 8.4.2 A hűtőszekrény ajtajának bezárása és rögzítése



### VIGYÁZAT! Sérülés kockázata

Ha az ajtó nincs megfelelően rögzítve, óvatosan addig nyomja az ajtó felső és alsó részét, amíg nem rögzül a helyén.

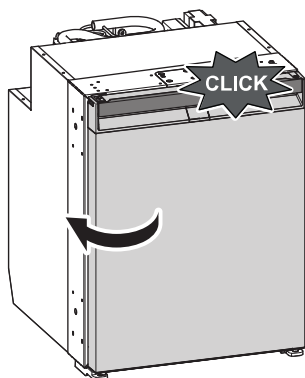


### MEGJEGYZÉS

A hűtőszekrény olyan reteszelőmechanizmussal rendelkezik, amely egyidejűleg szállítási biztosításként is működik.

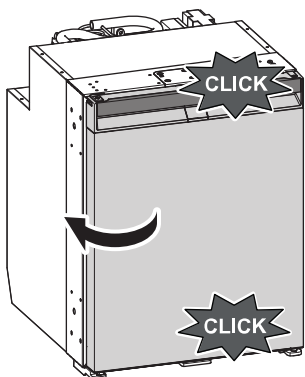
- > NRX0035–0130(E): Addig nyomja felülről az ajtót, amíg nem hallja egyértelműen, hogy a helyére kattant.

## 7 NRX0035 – 0130 (E)



- > NRX0035–0130(C/S): Addig nyomja az ajtót, amíg nem hallja egyértelműen, hogy az alul és felül a helyére pattant.

## 8 NRX0035 – 0130 (C/S)



- ✓ Az ajtó ekkor be van csukva és rögzítve van.

## 8.5 Be- és kikapcsolás



**MEGJEGYZÉS** Ha hosszabb ideig nem használja, mindig kapcsolja ki a hűtőszekrényt.

- > A bekapcsoláshoz nyomja meg a Ⓞ gombot legalább 2 s hosszan.
- > A hűtőszekrényt az utoljára kiválasztott hűtési szint beállításával és üzemmóddal kapcsolja be.
- > A kikapcsoláshoz nyomja meg a Ⓞ gombot legalább 2 s hosszan.

## 8.6 Üzem módok beállítása



**MEGJEGYZÉS** ECO, PERFORMANCE vagy FREEZER üzemmód használata esetén a rendszer további módosításokig ebben az üzemmódban marad.

- > Az üzemmód beállításához nyomja meg többször a gombot, amíg a kívánt üzemmódhoz tartozó üzemmódjelző LED világítani nem kezd.

A következő üzemmódok állnak rendelkezésre:

### Az ECO üzemmód használata

Az ECO üzemmód aktiválásával a hűtőszekrény csökkentett energiafogyasztással üzemel 1–3 hűtési szinten.

- ✓ A ECO üzemmódot jelző LED () és a kiválasztott hűtési szintet jelző LED világítani kezd.

### Az QUIET üzemmód használata

A QUIET üzemmód aktiválásával a hűtőszekrény csökkentett zajszinttel üzemel 1–4 hűtési szinten.



#### MEGJEGYZÉS

- > Ha a hűtőszekrény FREEZER üzemmódban üzemel, akkor QUIET üzemmód nem elérhető.
- > A QUIET üzemmód használatakor a hűtőszekrény 8 h hosszan marad ebben az üzemmódban, majd visszatér a korábban kiválasztott üzemmódba (ECO vagy PERFORMANCE üzemmód).

- ✓ A QUIET üzemmódot jelző LED () és a kiválasztott hűtési szintet jelző LED világítani kezd.

### A PERFORMANCE üzemmód használata

A PERFORMANCE üzemmód aktiválásával a hűtőszekrény normál üzemmódban üzemel 1–5 hűtési szinten.

- ✓ A PERFORMANCE üzemmódot jelző LED () és a kiválasztott hűtési szintet jelző LED világítani kezd.

### A FREEZER üzemmód használata

A FREEZER üzemmód aktiválásával a rendszer a hűtőszekrény belsejének egészét  $-6\text{ °C}$ -ra hűti.



**MEGJEGYZÉS** A FREEZER mód használatához távolítsa el a fagyos rekeszt.

- ✓ A FREEZER üzemmódot jelző LED () és a kiválasztott hűtési szintet jelző LED-ek folyamatosan világitanak.

## 8.7 A hűtési szint beállítása

- > A hűtési szint beállításához nyomja meg többször a gombot, amíg el nem éri a kívánt hűtési szintet.

## 8.8 A polcok áthelyezése



#### FIGYELMEZTETÉS! Gyermek beszorulásának kockázata

NRX0060–0130: A polcok úgy vannak rögzítve, hogy megakadályozzák a gyermekek bemászását a hűtőszekrénybe.

- > A polcokat csak tisztítás céljából távolítsa el.
- > Helyezze vissza a polcokat, és rögzítse ezeket.

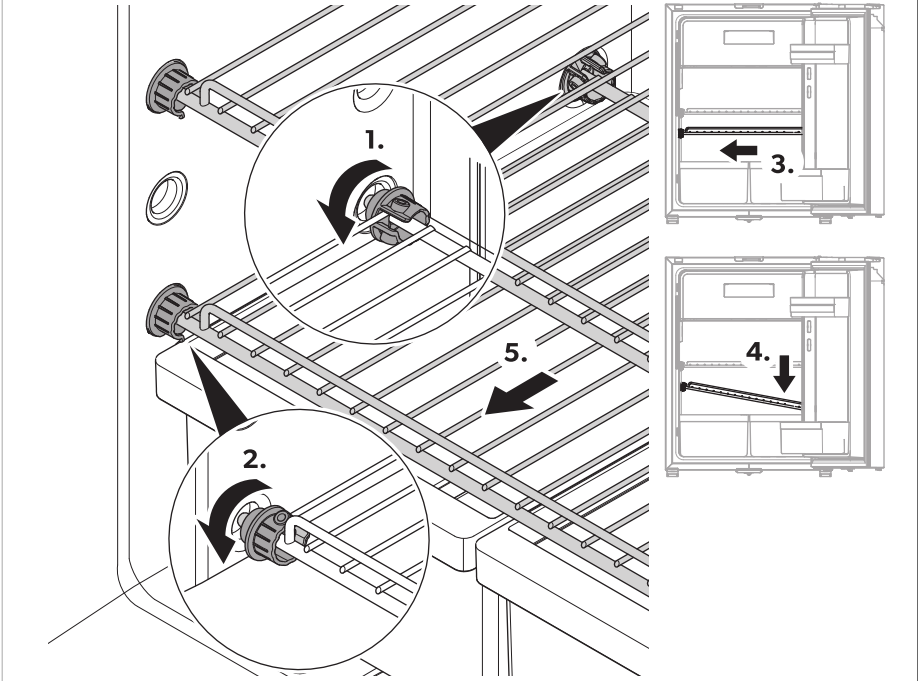




**MEGJEGYZÉS** A polcok áthelyezése előtt vegye ki a fagyos rekeszt, így könnyebben hozzáférhet a hátsó polcgombokhoz.

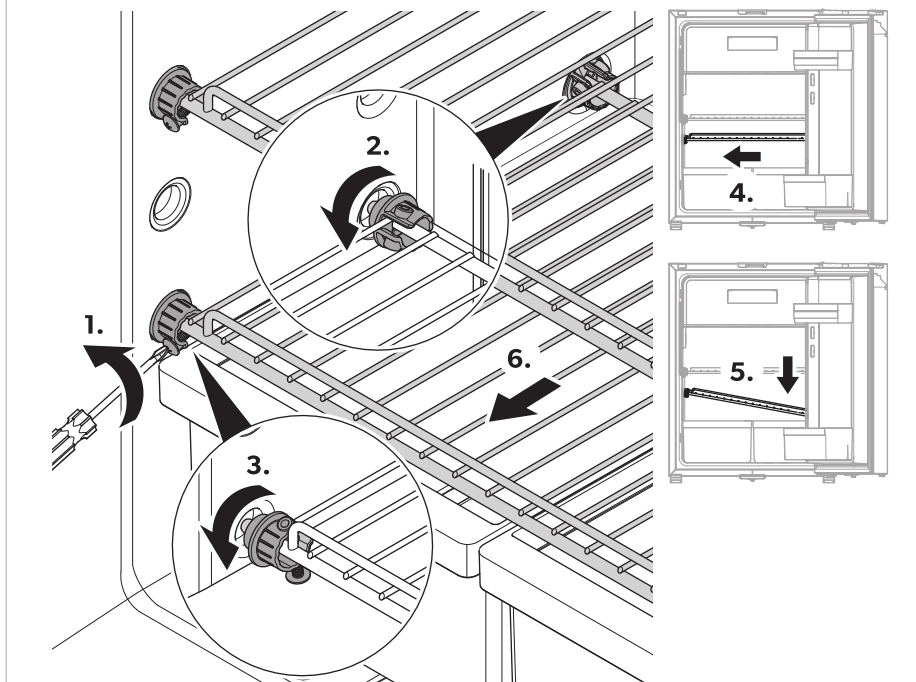
> **NRX0035-0050:** A polcok tetszés szerinti áthelyezéséhez a következő ábra szerint járjon el.

## 9 NRX0035 – 0050



- > **NRX0035-0050:** A polcok tetszés szerinti átállításához a következő ábra szerint járjon el.

## 10 NRX0060 – 0130



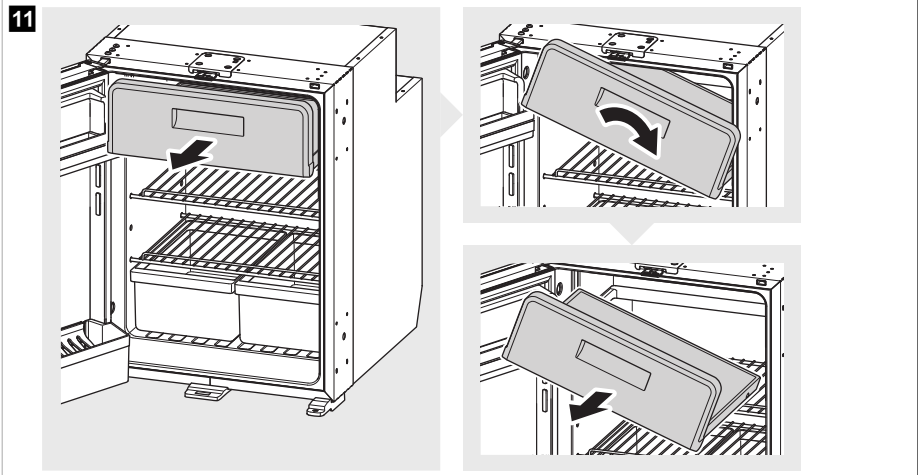
### 8.9 A fagyos rekesz eltávolítása



#### **FIGYELEM! Károsodás veszélye**

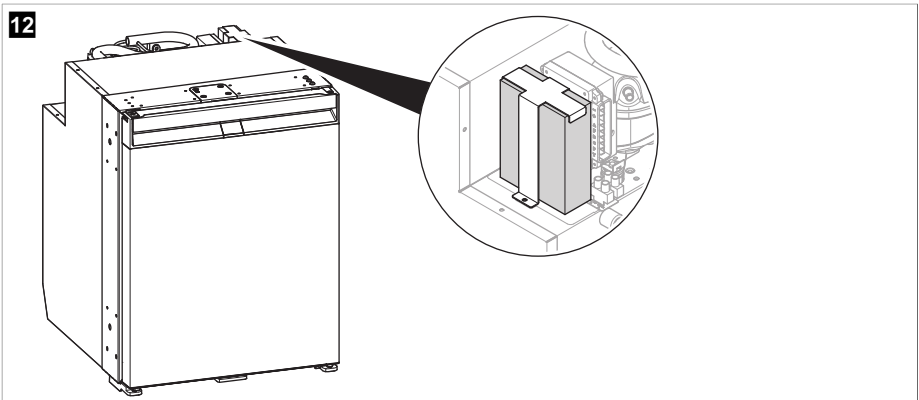
- > A fagyos rekesz eltávolításához zárja be a fagyos rekesz ajtaját.
- > Fogja meg a fagyos rekeszt az aljánál fogva. Ne húzza meg a fagyos rekesz ajtaját.
- > A fagyos rekeszt száraz és hűvös helyen tárolja.

- > A fagyas rekesz eltávolításához a következő ábra szerint járjon el.



## 8.10 A váltakozó áram/egyenáram adapter beszerelése

- > A váltakozó áram/egyenáram adapter (tartozékok) beszereléséhez a következő ábra szerint járjon el.



## 9 Tisztítás és karbantartás



### FIGYELMEZTETÉS! Áramütés miatti veszély

Tisztítás és karbantartás előtt mindig válassza le a hűtőkészüléket az energiaellátásról.



### FIGYELEM! Károsodás veszélye

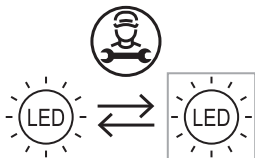
- > A tisztításhoz ne használjon dörzsölő hatású tisztítószerkeket vagy kemény tárgyakat.
- > A jéggrétegek eltávolítására vagy a befagyott tárgyak leválasztására soha ne használjon kemény vagy hegyes szerszámokat.

- > Ügyeljen arra, hogy ne csöpöngen víz a tömítésekbe. Ez károsíthatja az elektronikát.



**FIGYELEM! Károsodás veszélye**

A veszélyek elkerülése érdekében csak a gyártó, a szervíz vagy hasonlóan képzett szakember cserélheti ki a fényforrást.



- > Szennyeződés esetén rendszeresen tisztítsa meg a készülék belsejét és külsejét nedves kendővel. A hűtőszekrényt tisztítás után ruhával törölje szárazra.
- > Rendszeresen ellenőrizze a leolvasztásból származó víz elvezetőjét.  
Szükség esetén tisztítsa meg a leolvasztásból származó víz elvezetőjét. Ha eldugult a lefolyó, a leolvasztásból származó víz a hűtőszekrény alján gyűlik össze.
- > Rendszeres időközönként tisztítsa meg a kondenzátort a portól és szennyeződésektől nedves törölkendővel.

**Hűtőközegkör**

A hűtőközegkör karbantartásmentes.

**A hűtőszekrény leolvasztása**



**FIGYELEM! Károsodás veszélye**

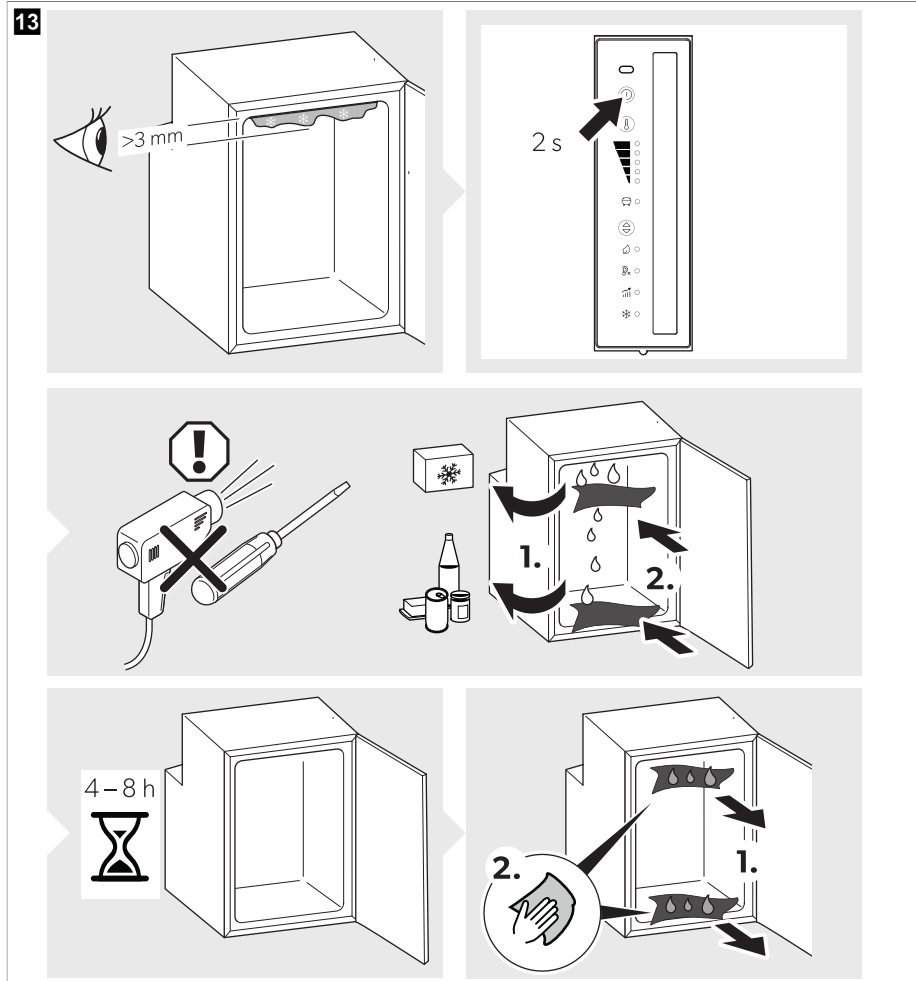
A jégtelenítési folyamat gyorsításához ne használjon mechanikus vagy egyéb segédeszközöket.



**MEGJEGYZÉS**

A hűtőszekrény belsejében, a hátsó falon idővel dér képződik. Ha ez a dérréteg eléri a kb. 3 mm vastagságot, akkor olvassa le a hűtőszekrényt.

> A hűtőszekrény leolvasztásához a következő módon járjon el.



### A hűtőszekrény ajtajának tárolási helyzetbe állítása



#### **VIGYÁZAT! Sérülés kockázata**

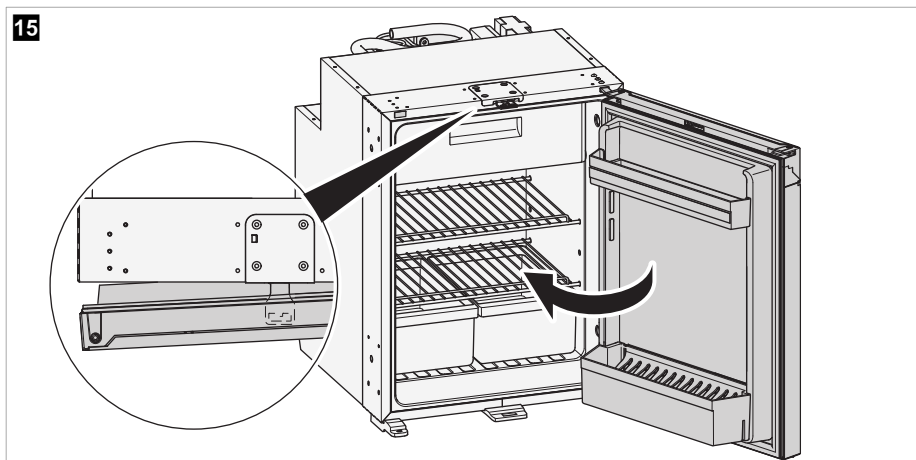
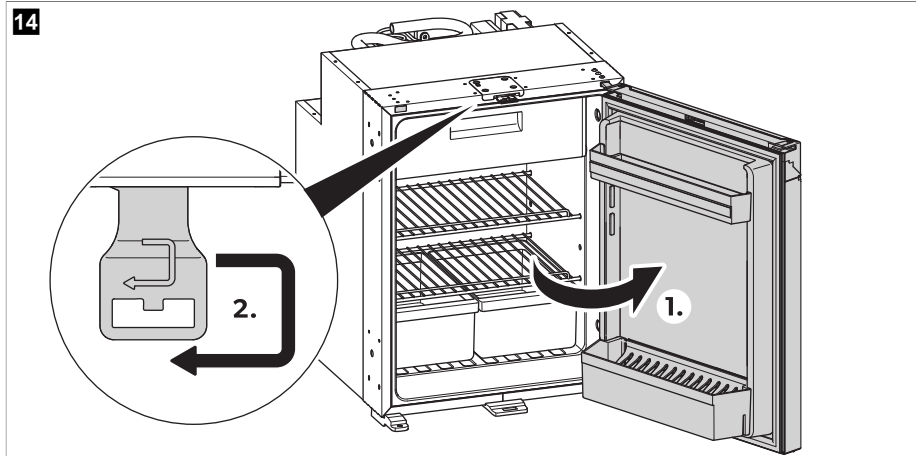
Menet közben tilos a tárolási helyzet használata.



**MEGJEGYZÉS** Ha hosszabb ideig nem szándékozik használni a hűtőszekrényt, akkor állítsa annak ajtaját tárolási helyzetbe. Így elkerülhető a bepenészedés.

> Olvassa le a hűtőszekrényt (lásd: A hűtőszekrény leolvasztása 398. oldal).

> Állítsa a hűtőszekrény ajtaját tárolási helyzetbe a bemutatott módon.

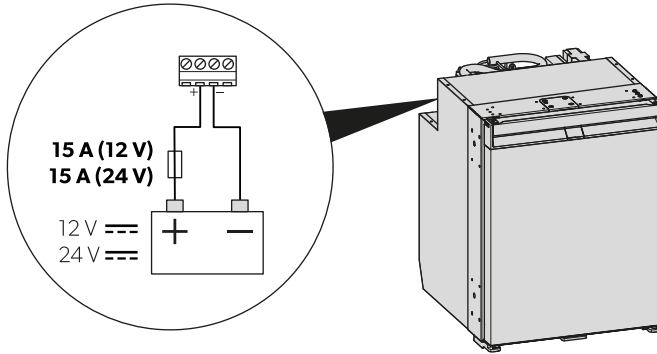



## 10 Hibaelhárítás



**MEGJEGYZÉS** Ahhoz, hogy biztonságosan használhassa a 12 V -os fogyasztókat a lakókocsiban, ügyeljen arra, hogy a vontató jármű elegendő feszültséggel lássa el a készüléket. Néhány jármű esetén az akkumulátorkezelő rendszer az akkumulátor védelme érdekében automatikusan kikapcsolhatja a fogyasztók áramellátását. Erről érdeklődjön a jármű gyártójánál.

16



| Hiba   | Lehetséges ok   | Megoldási javaslat   |
|--|---|--|
| A hűtőszekrény nem működik.  | Az egyenáramú kábel biztosítéka meghibásodott.  | > Cserélje ki a biztosítékot (  ábra <b>16</b> 401. oldal ).  |
|  | Kiegett a jármű biztosítéka.  | > Cserélje ki a jármű biztosítékát. Vegye figyelembe járműve használati utasítását.  |
|  | A jármű-akkumulátor le van merülve.   | > Ellenőrizze és töltsen fel a jármű-akkumulátort.   |
|  | A gyújtás nincs bekapcsolva.  | > Kapcsolja be a gyújtást.   |
|  | A kompresszornál a hőmérséklet túl alacsony (< 0 °C).   | > Szigetelőanyaggal zárja le/ takarja le teljesen az összes külső szellőzőrácsot.  |
|  | Ha a feszültség nem elegendő, akkor a hűtőszekrény automatikusan kikapcsol.<br><br>(Kikapcsolási feszültség: 10,4 V $\Rightarrow$ ) | > Töltsen az akkumulátort. A hűtőszekrény automatikusan újra fog indulni.<br><br>(Bekapcsolási feszültség: 11,7 V $\Rightarrow$ )  |
| A hűtési teljesítmény csökken, a belső hőmérséklet emelkedik. A kompresszor folyamatosan üzemel. | A hűtőegység körüli levegőkeringés nem megfelelő.   | > Ellenőrizze, hogy a szellőzőrács szabad-e.<br>> Helyezze át a hűtőszekrényt egy másik helyre.  |
|  | A belső falak eljegesedtek.   | > Ellenőrizze, hogy megfelelően záródik-e a hűtőszekrény ajtaja.<br>> Ellenőrizze, hogy a hűtőszekrény szigetelése megfelelően illeszkedik-e és nem sérült-e meg.<br>> Olvassa le a hűtőszekrényt (lásd: A hűtőszekrény leolvasztása 398. oldal ). |
|  | A hőmérséklet túl magasra van beállítva.  | > Állítson be alacsonyabb hőmérsékletet.   |
|  | A környezeti hőmérséklet túl magas.   | > Egy időre vegye le a szellőzőrácsot, így a meleg levegő hamarabb távozhat.   |

| <b>Hiba</b>   | <b>Lehetséges ok</b>  | <b>Megoldási javaslat</b>  |
|---|---|--|
|   | Egyszerre túl sok élelmiszert helyeztek a hűtőszekrénybe.   | > Vegyen ki valamennyi élelmiszert.  |
|   | Egyszerre túl sok meleg élelmiszert helyeztek a hűtőszekrénybe.   | > Vegye ki a meleg élelmiszert, és a hűtőszekrénybe helyezés előtt hagyja kihűlni. |
|   | A hűtőszekrény még nem üzemel rég óta.  | > Ellenőrizze ismét a hőmérsékletet 4 h / 5 h elteltével.                          |
|   | A kondenzátor elszennyeződött.  | > Tisztítsa meg a kondenzátort (lásd: Tisztítás és karbantartás 397. oldal).       |
|   | A ventilátor meghibásodott.   | > Vegye fel a kapcsolatot a hivatalos szervizzel.                                  |
| A hűtési teljesítmény csökken, a belső hőmérséklet emelkedik.<br>A kompresszor gyakran nem működik.                           | Az akkumulátor lemerült.  | > Töltse fel az akkumulátort.  |
| A hűtési teljesítmény csökken, a belső hőmérséklet emelkedik.<br>A kompresszor nem jár (akkumulátor csatlakozása).            | Szakadás az akkumulátor és az elektronika közötti vezetékben.   | > Állítsa helyre a csatlakozást.   |
|   | A főkapcsoló (ha van) meghibásodott.  | > Cserélje ki a főkapcsolót.   |
|   | A kiegészítő tápvezeték biztosíték (ha van) kiégett.  | > Cserélje ki a vezetékbiztosítékot.   |
|   | Az akkumulátorfeszültség túl alacsony.  | > Töltse fel az akkumulátort.  |
|   | Az akkumulátor kapacitása túl alacsony.   | > Cserélje ki az akkumulátort.   |
|   | A kábelek meglazultak.<br>Az érintkezés rossz (korrózió).   | > Állítsa helyre a csatlakozást.   |
|   | A kábelkeresztmetszet túl kicsi.  | > Cserélje ki a kábelt.  |
|   | A kompresszor meghibásodott.  | > Vegye fel a kapcsolatot a hivatalos szervizzel.                                  |
| A hűtési teljesítmény csökken, a belső hőmérséklet emelkedik.<br>A kompresszor nem üzemel (váltakozó feszültségű tápellátás). | Megszakadt a tápvezetékek csatlakozása.   | > Állítsa helyre a csatlakozást.   |
|   | A főkapcsoló (ha van) meghibásodott.  | > Cserélje ki a főkapcsolót.   |
|   | A kiegészítő tápvezeték biztosíték (ha van) kiégett.  | > Cserélje ki a vezetékbiztosítékot.   |
|   | A kompresszor meghibásodott.  | > Vegye fel a kapcsolatot a hivatalos szervizzel.                                  |
| Szokatlan zajok.  | A hűtőkör alkatrésze nem tud szabadon rezegni (nekifekszik a falnak).                                   | > Óvatosan hajlítsa el az alkatrészt az akadálytól.                                |
|   | Idegen test szorult a hűtőszekrény és a fal közé.   | > Távolítsa el az idegen testet.   |
|   | Ventilátorzaj.  | > Vegye fel a kapcsolatot a hivatalos szervizzel.                                  |
| Az ajtó akaratlanul kinyílik mozgás közben (pl. vezetés közben).  | Az ajtórekesz <b>A</b> helyzetbe van állítva (lásd Az ajtórekesz beállítása 389. oldal című fejezetet). | > Állítsa az ajtórekeszt <b>B</b> helyzetbe.                                       |



| Hiba                         | Lehetséges ok  | Megoldási javaslat  |
|------------------------------|--|---|
| Az ajtó nem zár megfelelően. | Az ajtóretesz <b>A</b> helyzetbe van állítva (lásd Az ajtóretesz beállítása 389. oldal című fejezetet).  | > Állítsa az ajtóreteszt <b>B</b> helyzetbe.                      |
|                              | Az ajtóretesz <b>B</b> helyzetbe van állítva (lásd Az ajtóretesz beállítása 389. oldal című fejezetet), de az ajtó nincs megfelelően reteszelve. | > Záráskor ügyeljen arra, hogy az ajtó megfelelően reteszelődjön. |

## Hibajelzés



### MEGJEGYZÉS

- > Minden hibát narancssárgán villogó hibajelző LED (lásd: Kezelő- és kijelzőelemek 388. oldal) jelez. A felvillanások száma a hiba fajtájától függ. Minden felvillanás negyed másodpercig tart. A felvillanások sorozata után szünet következik. A hiba sorozatjelzése négy másodpercenként megismétlődik.
- > ECO, PERFORMANCE és FREEZER üzemmódban további hangjelzés hallható.

| A villogás gyakorisága | Üzemzavar                            | Lehetséges ok  |
|------------------------|--------------------------------------|--|
| 1                      | Alacsony-, vagy magas feszültség     | A tápfeszültség a beállított tartományon kívül van.  |
| 2                      | Ventilátor-túláram                   | A ventilátor az elektronikaegységet 1 A-nél nagyobb árammal terheli.                                     |
| 3                      | A motor nem indul el                 | A forgórész megszorult.<br>A hűtőrendszerben túl nagy a nyomáskülönbség.                                 |
| 4                      | Túl alacsony fordulatszám            | Túlzottan terhelt hűtőrendszer esetén a motor minimális fordulatszáma nem tartható fenn.                 |
| 5                      | Az elektronikai egység túlmelegedése | Túlságosan leterhelt hűtőrendszer vagy túl magas hőmérséklet esetén az elektronika nagyon felforrósodik. |
| Tartósan               | Hőérzékelő hibák                     | Meghibásodott a hőmérséklet érzékelő.  |

## 11 Garancia

A termékre a törvény szerinti garancia-időszak érvényes. Amennyiben a termék meghibásodott, lépjen kapcsolatba a gyártó helyi képviselőjével (lásd: [dometic.com/dealer](http://dometic.com/dealer)) vagy a kereskedővel.

A javításhoz, illetve a garancia-adminisztrációhoz a következő dokumentumokat kell mellékelnie a termék beküldésekor:

- A számla vásárlási dátummal rendelkező másolatát
- A reklamáció okát vagy a hibát tartalmazó leírást

Vegye figyelembe, hogy az önkezü javítás vagy a nem szakszerű javítás biztonsági következményekkel járhat, és érvénytelenítheti a garanciát.

## 12 Ártalmatlanítás



### FIGYELEM! Károsodás veszélye

A hűtőkészülék szigetelése gyúlékony ciklopentánt tartalmaz, amely speciális ártalmatlanítási eljárásokat igényel. Élettartama végén megfelelő hulladékkezelő központban adja le a hűtőkészüléket.



A csomagolóanyagot lehetőség szerint a megfelelő szelektív hulladékgyűjtő tartályokba kell helyezni. A termékre vonatkozó ártalmatlanítási előírásokról tájékozódjon a legközelebbi újrahasznosító központban, vagy szakkereskedőjénél. Európa: A termék ingyenesen ártalmatlanítható.

## 13 Műszaki adatok

Készüléke aktuális EU-megfelelőségi nyilatkozatát a [dometic.com](http://dometic.com) honlap megfelelő termékoldalán találhatja meg, vagy vegye fel a kapcsolatot közvetlenül a gyártóval (lásd: [dometic.com/dealer](http://dometic.com/dealer)).

Ez a készülék megfelel az UN ECE R10 szabályozásnak.

|  | NRX0035(E/C/S) | NRX0050(E/C/S)           | NRX0060(E/C/S) |
|--|----------------|--------------------------|----------------|
| Kapacitás  |                |                          |                |
| • Hűtőrekesz (csak NRX0035–0130[C/S])              | 27,3 L         | 39,6 L                   | 48,9 L         |
| • Fagyas rekesz (csak NRX0035–0130[C/S])           | 4,4 L          | 4,4 L                    | 6,1 L          |
| • Teljes kapacitás                                 | 32 L           | 44 L                     | 55 L           |
| • Teljes kapacitás (eltávolított fagyas rekesz)    | 34 L           | 46 L                     | 58 L           |
| Csatlakozási feszültség                            |                | 12 / 24 V <sup>===</sup> |                |
| Tápellátást biztosító akkumulátor védelme ( 12 V ) |                |                          |                |
| • Kikapcsolási feszültség                          |                | 10,4 V                   |                |
| • Újra-bekapcsolási feszültség                     |                | 11,7 V                   |                |
| Tápellátást biztosító akkumulátor védelme ( 24 V ) |                |                          |                |
| • Kikapcsolási feszültség                          |                | 22,8 V                   |                |
| • Újra-bekapcsolási feszültség                     |                | 24,2 V                   |                |
| Klímaosztály                                       |                | T                        |                |
| Tárolási hőmérséklet-tartomány:                    |                |                          |                |
| • Hűtőszekrény                                     |                | 0 °C ... 12 °C           |                |
| • Fagyas rekesz (csak NRX0035–0130[C/S])           |                | -15 °C ... -5 °C         |                |
| • Fagyasztó üzemmód (csak NRX0035–0130[C/S])       |                | -6 °C                    |                |
| Megcélzott használati környezeti hőmérséklet       |                | 16 °C ... 43 °C          |                |
| Hűtőközeg  |                | R134a                    |                |
| Hűtőközeg mennyisége                               | 24 g           | 26 g                     | 30 g           |
| CO <sub>2</sub> -egyenérték                        | 0,034 t        | 0,037 t                  | 0,043 t        |
| Globális felmelegedési potenciál (GWP)             |                | 1430                     |                |
| Zajkibocsátás (EN 60704)                           |                | 40 ... 45 dB(A)          |                |

|  | <b>NRX0035(E/C/S)</b>   | <b>NRX0050(E/C/S)</b>     | <b>NRX0060(E/C/S)</b>    |
|--|---|---------------------------|--------------------------|
| Méreték (szélesség x magasság x mélység) | 525 × 380 × 355 mm<br>(kompresszor és távtartó nélkül)<br>525 mm × 380 mm × 480 mm<br>(kompresszorral és távtartóval) | 525 mm × 380 mm × 510 mm  | 525 mm × 448 mm × 537 mm |
| Nettó súly                               | E: 13,5 kg<br>C, S: 16 kg   | E: 14,5 kg<br>C, S: 17 kg | E: 16 kg<br>C, S: 17 kg  |
| Maximális terhelés                       |   |                           |                          |
| • Ajtótarolónként                        | 4 kg  | 4 kg                      | 5 kg                     |
| • Ajtónként                              | E: 4 kg<br>C/S: 8 kg  | E: 4 kg<br>C/S: 8 kg      | E: 5 kg<br>C/S: 10 kg    |

|  | <b>NRX0080(E/C/S)</b>    | <b>NRX0115(E/C/S)</b> | <b>NRX0130(E/C/S)</b> |
|--|--------------------------|-----------------------|-----------------------|
| Kapacitás  |                          |                       |                       |
| • Hűtőrekesz (csak NRX0035 – 0130[C/S])            | 68,4 L                   | 104,5 L               | 118 L                 |
| • Fagyas rekesz (csak NRX0035 – 0130[C/S])         | 6,6 L                    | 8,2 L                 | 8,2 L                 |
| • Teljes kapacitás                                 | 75 L                     | 113 L                 | 126 L                 |
| • Teljes kapacitás (eltávolított fagyas rekesz)    | 78 L                     | 116 L                 | 130 L                 |
| Csatlakozási feszültség                            | 12 / 24 V <sup>===</sup> |                       |                       |
| Tápellátást biztosító akkumulátor védelme ( 12 V ) |                          |                       |                       |
| • Kikapcsolási feszültség                          |                          | 10,4V                 |                       |
| • Újra-bekapcsolási feszültség                     |                          | 11,7V                 |                       |
| Tápellátást biztosító akkumulátor védelme ( 24 V ) |                          |                       |                       |
| • Kikapcsolási feszültség                          |                          | 22,8V                 |                       |
| • Újra-bekapcsolási feszültség                     |                          | 24,2V                 |                       |
| Klímaosztály                                       | T                        |                       |                       |
| Tárolási hőmérséklet-tartomány                     |                          |                       |                       |
| • Hűtőszekrény                                     |                          | 0 °C ... 12 °C        |                       |
| • Fagyas rekesz (csak NRX0035–0130[C/S])           |                          | -15 °C ... -5 °C      |                       |
| • Fagyasztó üzemmód (csak NRX0035–0130C/S)         |                          | -6 °C                 |                       |

|  | <b>NRX0080(E/C/S)</b>   | <b>NRX0115(E/C/S)</b>   | <b>NRX0130(E/C/S)</b>   |
|--|-------------------------|-------------------------|-------------------------|
| Megcélzott használati környezeti hőmérséklet | 16 °C ... 43 °C         |                         |                         |
| Hűtőközeg                                    | R134a                   |                         |                         |
| Hűtőközeg mennyisége                         | 32 g                    | 40 g                    | 40 g                    |
| CO <sub>2</sub> -egyenérték                  | 0,046 t                 | 0,057 t                 | 0,057 t                 |
| Globális felmelegedési potenciál (GWP)       | 1430                    |                         |                         |
| Zajkibocsátás (EN 60704)                     | 40 ... 45 dB(A)         |                         |                         |
| Méreték (szélesség x magasság x mélység)     | 625 × 475 × 537 mm      | 745 × 525 × 568 mm      | 812 × 525 × 568 mm      |
| Nettó súly                                   | C, S: 20 kg<br>E: 18 kg | C, S: 26 kg<br>E: 24 kg | C, S: 27 kg<br>E: 25 kg |
| Maximális terhelés                           |                         |                         |                         |
| • Ajtótarolónként                            | 5 kg                    | 6 kg                    | 6 kg                    |
| • Ajtónként                                  | 10 kg                   | E: 12 kg<br>C/S: 18 kg  | E: 12 kg<br>C/S: 18 kg  |

## 14 Műszaki adatok

Készüléke aktuális EU-megfelelőségi nyilatkozatát a [dometic.com](http://dometic.com) honlap megfelelő termékoldalán találhatja meg, vagy vegye fel a kapcsolatot közvetlenül a gyártóval (lásd: [dometic.com/dealer](http://dometic.com/dealer)).

Ez a készülék megfelel az UN ECE R10 szabályozásnak.

|  | <b>NRX0090V</b>         |
|--|-------------------------|
| Kapacitás  |                         |
| • Hűtőrekesz                                     | 79 L                    |
| • Fagyas rekesz                                  | 8,4 L                   |
| • Teljes kapacitás                               | 87 L                    |
| • Teljes kapacitás (eltávolított fagyas rekesz)  | 92 L                    |
| Csatlakozási feszültség                          | 12 / 24 V <sup>==</sup> |
| Tápellátást biztosító akkumulátor védelme (12 V) |                         |
| • Kikapcsolási feszültség                        | 10,4 V                  |
| • Újra-bekapcsolási feszültség                   | 11,7 V                  |
| Tápellátást biztosító akkumulátor védelme (24 V) |                         |
| • Kikapcsolási feszültség                        | 22,8 V                  |
| • Újra-bekapcsolási feszültség                   | 24,2 V                  |
| Energiafogyasztás                                | 0,35 kWh / 24 h         |

|  | <b>NRX0090V</b>          |
|--|--------------------------|
| Klímaosztály                                 | T                        |
| Tárolási hőmérséklet-tartomány               |                          |
| • Hűtőszekrény                               | 0 °C ... 15 °C           |
| • Fagyasztó rekesz                           | -12 °C ... -5 °C         |
| • Fagyasztó üzemmód                          | -5 °C ± 2 °C             |
| Megcélzott használati környezeti hőmérséklet | 16 °C ... 43 °C          |
| Hűtőközeg                                    | R600a                    |
| Hűtőközeg mennyisége                         | 22 g                     |
| CO <sub>2</sub> -egyenérték                  | 0,000 t                  |
| Globális felmelegedési potenciál (GWP)       | 3                        |
| Zajkibocsátás (EN60704)                      |                          |
| • PERFORMANCE üzemmód                        | < 40 dB(A)               |
| • QUIET mód                                  | 37 dB(A)                 |
| Méretek (szélesség x magasság x mélység)     | 821 mm × 486 mm × 480 mm |
| Nettó súly                                   | 22 kg                    |

## Hrvatski

|    |                            |     |
|----|----------------------------|-----|
| 1  | Važne napomene.....        | 408 |
| 2  | Objašnjenje simbola.....   | 408 |
| 3  | Sigurnosne upute.....      | 409 |
| 4  | Opseg isporuke.....        | 411 |
| 5  | Pribor.....                | 412 |
| 6  | Namjena.....               | 413 |
| 7  | Tehnički opis.....         | 413 |
| 8  | Rad.....                   | 416 |
| 9  | Čišćenje i održavanje..... | 424 |
| 10 | Uklanjanje smetnji.....    | 427 |
| 11 | Jamstvo.....               | 430 |
| 12 | Odlaganje u otpad.....     | 430 |
| 13 | Tehnički podaci.....       | 431 |
| 14 | Tehnički podaci.....       | 433 |

## 1 Važne napomene

Pažljivo pročitajte ove upute i poštujujte sve upute, smjernice i upozorenja sadržane u ovim uputama kako biste u svakom trenutku osigurali pravilnu instalaciju, uporabu i održavanje proizvoda. Ove upute MORAJU ostati u blizini ovog proizvoda.

Uporabom proizvoda potvrđujete da ste pažljivo pročitali sve upute, smjernice i upozorenja te da razumijete i pristajete poštovati ovdje navedene uvjete i odredbe. Pristajete koristiti se ovim proizvodom samo za predviđenu svrhu i namjenu te u skladu s uputama, smjernicama i upozorenjima navedenima u ovom priručniku za proizvod, kao i u skladu sa svim važećim zakonima i propisima. Ako ne pročitate i ne poštujujete ovdje navedene upute i upozorenja, tada to može dovesti do ozljeđivanja vas i drugih osoba, do oštećenja proizvoda ili druge imovine u blizini. Ovaj priručnik za proizvod, uključujući i upute, smjernice i upozorenja, te povezanu dokumentaciju može biti podložan promjenama i ažuriranjima. Za najnovije podatke o proizvodu posjetite [documents.dometic.com](http://documents.dometic.com).

## 2 Objasňenje simbola

Signalna riječ opisuje poruke o sigurnosti i oštećenju imovine, kao i stupanj ili razinu težine potencijalne opasnosti.



### OPASNOST!

Naznačuje opasnu situaciju, koja će, ako se ne izbjegne, rezultirati smrću ili teškim ozljedama.



### UPOZORENJE!

Naznačuje opasnu situaciju, koja bi, ako se ne izbjegne, mogla rezultirati smrću ili teškim ozljedama.



### OPREZ!

Naznačuje opasnu situaciju, koja bi, ako se ne izbjegne, mogla rezultirati lakšim ili umjerenim ozljedama.



### POZOR!

Naznačuje situaciju, koja, ako se ne izbjegne, može rezultirati materijalnom štetom.



**UPUTA** Dodatne informacije za rukovanje proizvodom.

## 3 Sigurnosne upute

### Opća sigurnost



#### UPOZORENJE! Opasnost od strujnog udara

- > Montažu i demontažu hladnjaka smije provoditi samo kvalificirano osoblje.
- > Montažu u prostorijama s velikim udjelom vlage u zraku i u prostorijama koja su izložena vodi mora izvoditi isključivo stručna osoba.
- > Ako montirate hladnjak ispod nadstrešnice ili sličnog okruženja, pazite da hladnjak bude zaštićen od kiše i prskanja vode.
- > Nemojte upotrebljavati hladnjak ako na njemu ima vidljivih oštećenja.
- > Hladnjak smije popravljati samo kvalificirano osoblje. Nepropisno izvedeni popravci mogu dovesti do znatne opasnosti ili oštećenja hladnjaka.
- > Ako je priključni kabel ovog hladnjaka oštećen, mora ga zamijeniti proizvođač, služba za korisnike ili druga slično kvalificirana osoba da bi se izbjegle moguće opasnosti.
- > Kada postavljate hladnjak, provjerite da kabel napajanja nije priklješten ili oštećen.
- > Ne postavljajte višestruke utičnice ili prijenosna napajanja na stražnju stranu hladnjaka.
- > Golim rukama ne dodirujte izložene kabele.
- > Utičačem spojite uređaj u utičnice koje osiguravaju pravilan priključak posebice ako uređaj treba biti uzemljen.
- > Ako se uređaj napaja preko električne mreže, pobrinite se za to da napajanje ima automatsku zaštitnu sklopku (RCCB) ili FI-sklopku (GFCI). Montaža se mora biti provesti u skladu sa svim važećim propisima, posebno u moguće vlažnim područjima.



#### UPOZORENJE! Opasnost od požara

- > Rashladni krug sadrži malu količinu ekološkog, rashladnog sredstva. Ono ne oštećuje ozonski sloj i ne povećava efekt staklenika. Svako rashladno sredstvo, koje curi, može se zapaliti.
- > Nemojte upotrebljavati niti skladištiti hladnjak u skućenim prostorima bez protoka zraka ili s minimalnim protokom zraka.
- > Pobrinite se za to da u udubini za montažu hladnjaka nema električnih komponenti ni rasvjetnih tijela koja bi tijekom normalnog ili neuobičajenog rada mogla proizvesti iskre ili električne lukove (tj. releja ili razvodnih kutija).
- > Izolacija hladnjaka sadržava zapaljivi ciklopentan i zahtijeva posebne postupke odlaganja u otpad. Na kraju njegova životnog ciklusa odvezite hladnjak u odgovarajući centar za reciklažu.



#### UPOZORENJE! Opasnost od eksplozije

U hladnjak nemojte odlagati eksplozivne tvari kao što su npr. sprejevi s potisnim plinom.



#### UPOZORENJE! Opasnost za zdravlje

- > Ovaj hladnjak smiju koristiti djeca s najmanje 8 godina te osobe sa smanjenim fizičkim, senzornim ili mentalnim sposobnostima ili osobe s nedovoljnim iskustvom i znanjem ako su pod nadzorom ili su dobile upute o sigurnoj upotrebi uređaja te ako razumiju moguće opasnosti.
- > Djeci od 3 do 8 godina dopušteno je puniti i prazniti hladnjak.
- > Djeca ne smiju provoditi čišćenje i korisničko održavanje bez nadzora.
- > Djeca moraju biti pod nadzorom da bi se osiguralo da se neće igrati s hladnjakom.



#### UPOZORENJE! Opasnost da će djeca ostati zarobljena u uređaju

- > Provjerite jesu li police montirane i učvršćene tako da se djeca ne mogu zaključati u hladnjak.
- > Prije odlaganja starog hladnjaka u otpad:

- Demontirajte ladice.
  - Ostavite police u hladnjaku tako da djeca ne mogu ući u njega.
- > Skinite vrata.



### **OPREZ! Opasnost za zdravlje**

- > Kako bi se izbjegle opasnosti zbog nestabilnosti, hladnjak se mora učvrstiti sukladno uputama za montažu.
- > Pazite da ventilacijski otvori na hladnjaku i u njegovom kućištu ili u ugradbenom elementu budu slobodni.
- > Nemojte koristiti mehaničke uređaje ili druga sredstva kako biste ubrzali postupak odleđivanja, osim onih koje preporučuje proizvođač.
- > Ni u kojim uvjetima nemojte otvarati ili oštetiti krug rashladnog sredstva.
- > Ne upotrebljavajte električne uređaje unutar hladnjaka, osim ako ih proizvođač preporučuje u tu svrhu.



### **OPREZ! Opasnost od ozljeda**

- > U hladnjaku ili njegovoj blizini nemojte upotrebljavati niti čuvati zapaljive materijale.
- > Na hladnjak nemojte postavljati niti naslanjati nikakve predmete.
- > Hladnjak nemojte mijenjati.



### **POZOR! Opasnost od oštećenja**

- > Rad na istosmjernu struju odaberite samo ako motor vozila radi i pruža dovoljan napon ili ako upotrebljavate kontrolni uređaj za akumulator.
- > Ako postoji, u svakom trenutku održavajte odvod kondenzata čistim.
- > Ako hladnjak ima ventilacijsku rešetku, tijekom čišćenja vozila nemojte visokotlačni perać upotrebljavati u blizini ventilacijske rešetke.
- > Hladnjak ne smije biti izložen kiši.
- > Nikada ne izvlačite utikač iz utičnice povlačenjem priključnog kabela.

## **Sigurno rukovanje hladnjakom**



### **OPASNOST! Opasnost od strujnog udara**

Prije uključivanja hladnjaka provjerite jesu li priključni kabel i utikač suhi.



### **OPREZ! Opasnost za zdravlje**

- > Pobrinite se za to da u hladnjak stavljate samo predmete koji se smiju hladiti na odabranoj temperaturi.
- > Redovito čistite površine koje dolaze u dodir s hranom i sustavima odvodnje kojima se može pristupiti.
- > Sirovo meso i ribu spremajte u odgovarajuće posude u hladnjaku tako da nisu u dodiru s drugom hranom niti da kapaju po njoj.
- > Otvaranje vrata tijekom duljeg razdoblja može prouzročiti znatno povećanje temperature u odjeljcima hladnjaka. Ako kroz dulje vrijeme ostavljate hladnjak praznim:
- Isključite hladnjak.
  - Odmrznite hladnjak.
  - Očistite i osušite hladnjak.
  - Vrata ostavite otvorena da biste spriječili nastanak plijesni u hladnjaku. Ako postoji ta opcija, postavite vrata hladnjaka i vrata zamrzivača u zimski položaj.



### **OPREZ! Opasnost od ozljeda**

- > Ne gurajte prste u šarku.



- > Zatvorite i zasunom osigurajte vrata hladnjaka prije kretanja na putovanje.
- > Rashladni sustav sa stražnje strane hladnjaka jako se zagrijava tijekom rada. Ako je hladnjak opremljen ventilacijskom rešetkom, pripazite da ne dođete u kontakt s vrućim dijelovima dok uklanjate ventilacijsku rešetku.
- > Vrata uređaja ili vrata zamrzivača mogu se u potpunosti odvojiti od uređaja u slučaju nepropisne upotrebe. Čvrsto zatvorite vrata dok se ne začuje jasan klik pri vrhu i pri dnu.



#### **POZOR! Opasnost od oštećenja**

- > Nemojte se naslanjati na otvorena vrata hladnjaka.
- > Teške predmete, kao što su boce ili limenke, čuvajte isključivo u vratima hladnjaka, u odjeljku za povrće ili na donjoj polici.
- > Ako hladnjak ima dvostruka vrata i vrata nisu pravilno zaključana na suprotnoj strani, gurnite tu stranu s vrha i s dna dok se ne zaključa u mjestu.
- > **Opasnost od pregrijavanja!** Uvijek obratite pozornost da se toplina, koja nastaje tijekom rada uređaja, može nesmetano odvoditi. Provjerite je li hladnjak na dovoljnoj udaljenosti od zidova i drugih predmeta tako da zrak može nesmetano kružiti.
- > Ne punitite unutrašnjost ledom ili tekućinom.
- > Hladnjak i kabel zaštitite od vrućine i vlage.
- > Nikada ne izvlačite utikač iz utičnice povlačenjem priključnog kabela.



#### **UPUTA**

- > Ako sustav za upravljanje akumulatorom vozila isključuje hladnjak radi zaštite akumulatora, obratite se proizvođaču vozila.
- > Za temperature okoline od 15 °C ... 25 °C odaberite prosječnu postavku temperature.
- > Ako vrata nisu pravilno zaključana na suprotnoj strani, gurnite tu stranu s vrha i s dna dok se ne zaključa u mjestu.
- > Radi izbjegavanja bacanja hrane zapamtite sljedeće:
  - Držite fluktuacije temperature na najmanjoj mogućoj mjeri. Otvarajte zamrzivač samo onoliko često koliko je to zaista neophodno. Namirnice spremajte na takav način da zrak još uvijek može dobro cirkulirati.
  - Pobrinite se za to da u hladnjak stavljate samo predmete koji se smiju hladiti na odabranoj temperaturi.
  - Pohranite različite vrste namirnica kako je prikazano na slikama.
  - Ako se temperatura može prilagoditi: Prilagodite temperaturu količini i vrsti namirnica.
  - Namirnice mogu lako apsorbirati ili ispuštati miris i okus. Uvijek spremajte namirnice poklopljene ili u zatvorenim posudama / bocama.

## **4 Opseg isporuke**

| <b>Količina</b> | <b>Opis</b>                        |
|-----------------|------------------------------------|
| 1               | Kompresorski hladnjak              |
| 1               | Koljeno za odvod                   |
| 1               | Kratke upute za rukovanje          |
| 1               | Upute za rukovanje (samo na mreži) |
| 1               | Upute za montažu                   |

## 5 Pribor

Dostupno kao dodatna oprema (nije uključeno u opseg isporuke):

| Opis   | Br. art.   |
|--|------------|
| Klizna šarka                                       | 9620012939 |
| Pričvrсни okvir s donjim okvirom                   |            |
| • NRX0035, NRX0050                                 | 9620012877 |
| • NRX0060  | 9620012881 |
| • NRX0080  | 9620012882 |
| • NRX0115  | 9620012878 |
| • NRX0130  | 9620012876 |
| Pričvrсни okvir s donjim okvirom (crni)            |            |
| • NRX0035, NRX0050                                 | 9620012874 |
| • NRX0060  | 9620012875 |
| • NRX0080  | 9620012880 |
| • NRX0115  | 9620012879 |
| • NRX0130  | 9620012883 |
| Zamjena police za izvađeni pretinac za zamrzavanje |            |
| • NRX0035, NRX0050                                 | 9620012933 |
| • NRX0060  | 9620012938 |
| • NRX0080  | 9620012935 |
| • NRX0115, NRX0130                                 | 9620012932 |
| Pretinac za zamrzavanje                            |            |
| • NRX0035, NRX0050                                 | 9620012931 |
| • NRX0060  | 9620012936 |
| • NRX0080  | 9620012934 |
| • NRX0115, NRX0130                                 | 9620012937 |

| Opis          | Br. art.        |
|---------------|-----------------|
| AC/DC adapter | 9620013449 (EU) |
|               | 9620013450 (UK) |

## 6 Namjena

Hladnjak je namijenjen za:

- montažu u kamp-kućicama, kamperima, brodovima i kamionima
- hlađenje i čuvanje hrane
- **Samo za NRX0035–0130(C/S):** čuvanje unaprijed zamrznute hrane
- Uporaba u zatvorenom

Ovaj hladnjak nije namijenjen za komercijalnu upotrebu, upotrebu u trgovinama ni u kućanstvu.

Hladnjak **nije** prikladan za:

- čuvanje lijekova
- čuvanje korozivnih tvari ili tvari koje sadržavaju otapala
- brzo zamrzavanje hrane
- Vanjska uporaba

Kada se upotrebljava na brodovima, uređaj se postavlja u dnevni boravak, a ne na otvorenu palubu.

Pretinac za zamrzavanje prikladan je za čuvanje unaprijed zamrznute hrane, čuvanje ili pripremu sladoleda i za izradu kockica leda. Nije prikladan za zamrzavanje namirnica.

Ovaj je hladnjak namijenjen za montažu u jednom ormariću ili u montažnoj niši.

Optimalni učinak hlađenja postiže se na temperaturi okoline između 16 °C ... 43 °C i pri maksimalnoj vlažnosti od 90 %.

Ovaj je proizvod prikladan samo za predviđenu namjenu i primjenu u skladu s ovim uputama.

Ove upute donose informacije neophodne za pravilnu instalaciju i/ili rad proizvoda. Loša instalacija i/ili nepravilan rad ili održavanje rezultirat će nezadovoljavajućom uspjehnošću i mogućim kvarom.

Proizvođač ne preuzima nikakvu odgovornost za bilo kakve ozljede ili oštećenja proizvoda koje nastanu kao rezultat:

- nepravilnog sklapanja, montaže ili priključivanja, uključujući i previsok napon
- nepravilnog održavanja ili uporabe nekih drugih rezervnih dijelova osim originalnih rezervnih dijelova koje isporučuje proizvođač
- izmjena na proizvodu bez izričitog dopuštenja proizvođača
- uporabe u svrhe koje nisu opisane u ovim uputama

Dometic pridržava pravo na izmjene izgleda i specifikacija proizvoda.

## 7 Tehnički opis

Ovaj je hladnjak kompresorski hladnjak.

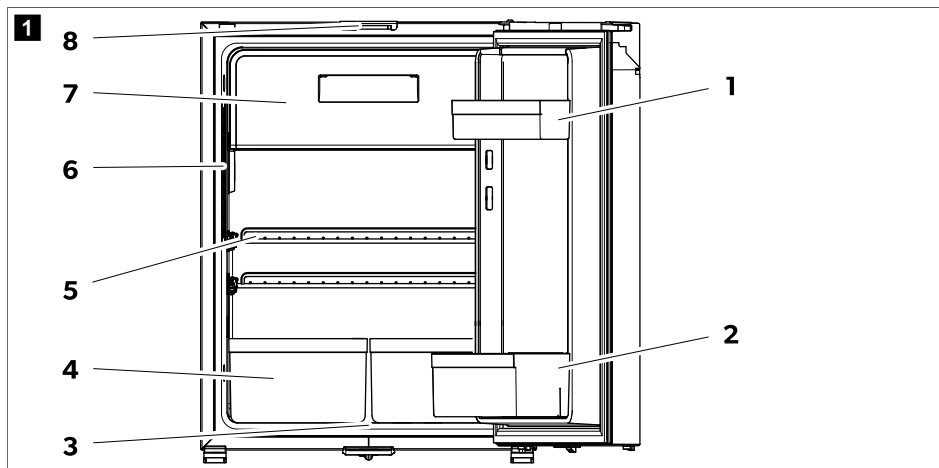
Hladnjak je namijenjen za rad s različitim vrstama napajanja i može se napajati iz izvora izmjenične ili istosmjerne struje.

NRX0035–0130(C/S): Model je tvornički opremljen pretincem za zamrzavanje koji se može izvaditi i ponovno vratiti u hladnjak.

Vrata hladnjaka imaju mehanizam zasuna radi zaštite tijekom transporta.

Svi materijali upotrijebljeni u hladnjaku prikladni su za upotrebu s hranom.

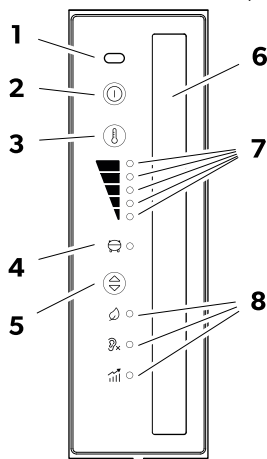
### Opis uređaja



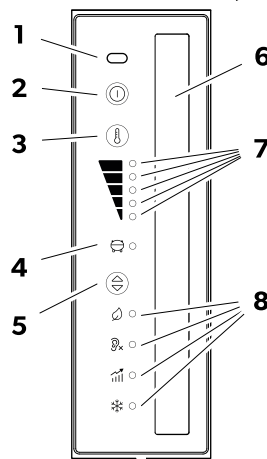
| Br. | Objašnjenje  |
|-----|--|
| 1   | Polica za vrata (samo za NRX0035-0130[C/S], NRX0080-0130[E]) |
| 2   | Polica za boce   |
| 3   | Kondenzacijski odvod   |
| 4   | Pretinac za povrće (samo za NRX0035-0130[C/S])               |
| 5   | Polica u rashladnom dijelu                                   |
| 6   | Upravljačka ploča sa zaslonom                                |
| 7   | Pretinac za zamrzavanje (samo za NRX0035 - 0130[C/S])        |
| 8   | Zasun za vrata za ventilaciju                                |


## Elementi za upravljanje i prikaz

### NRX0035 – 0130 (E)



### NRX0035 – 0130 (C/S)



| Br. | Objašnjenje  |
|-----|--|
| 1   | Infracrveni senzor otvaranja vrata   |
| 2   | ⏻ Tipka za uključivanje/isključivanje  |
| 3   | Ⓜ Tipka za podešavanje razine hlađenja   |
| 4   | LED indikator za kompresor i pogreške  |
| 5   | Ⓢ Tipka za način rada  |
| 6   | Unutarnja rasvjeta   |
| 7   | LED indikatori razine hlađenja<br> <ul style="list-style-type: none"> <li>— Razina hlađenja 5</li> <li>— Razina hlađenja 4</li> <li>— Razina hlađenja 3</li> <li>— Razina hlađenja 2</li> <li>— Razina hlađenja 1</li> </ul> |
| 8   | LED indikatori načina rada   |





### LED indikator za kompresor i pogreške

LED indikator za kompresor i pogreške prikazuje stanje rada kompresora ili upućuje na postojanje pogreške:

| Color                | Opis   |
|----------------------|--|
| Bijelo               | Kompresor je uključen  |
| Narančasta           | Kompresor je isključen   |
| Narančasto (treperi) | Pogreška (pogledajte poglavlje Indikator pogreške na stranici 430) |

## LED indikatori načina rada

LED indikatori načina rada prikazuju sljedeće opcije postavki:

| Simbol  | Opis  |
|---|---|
|  | Ručni način rada (ECO):<br>rad sa smanjenom potrošnjom energije.<br>Razina hlađenja 1 – 3   |
|  | Ručni način rada (QUIET):<br>rad sa smanjenom razinom buke.<br>Razina hlađenja 1 – 4  |
|  | Način rada PERFORMANCE:<br>Razina hlađenja 1 – 5  |
|  | Način rada ZAMRZIVAČA (samo za NRX0035-0130[C/S]):<br>rad s uklonjenim pretincem za zamrzavanje. Hladi cijelu unutrašnjost hladnjaka na temperaturu od $-6^{\circ}\text{C}$ . |

## 8 Rad

### 8.1 Prije prve uporabe

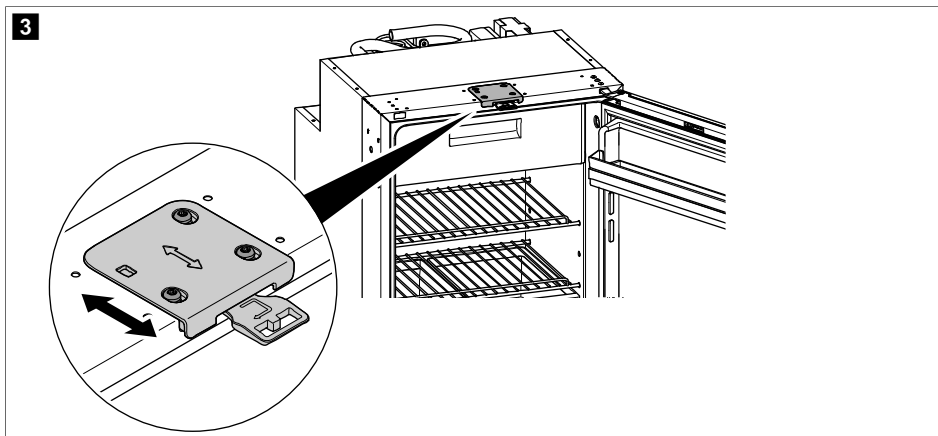


#### UPUTA

- > Namirnice nemojte čuvati u hladnjaku tijekom prva 4 sata od pokretanja.
- > Prilikom prve upotrebe hladnjaka može se pojaviti blag miris koji nestaje nakon nekoliko sati. Dobro prozračite stambeni prostor.
- > Na učinak hlađenja mogu utjecati:
  - temperatura okoline (npr. kada je uređaj izložen izravnoj sunčevoj svjetlosti)
  - količina hrane koju je potrebno ohladiti
  - učestalost otvaranja vrata.
- > Zbog higijenskih razloga očistite unutrašnjost hladnjaka (pogledajte Čišćenje i održavanje na stranici 424).
- > Parkirajte vozilo na ravnu površinu, naročito prilikom pokretanja i punjenja hladnjaka prije kretanja na putovanje.

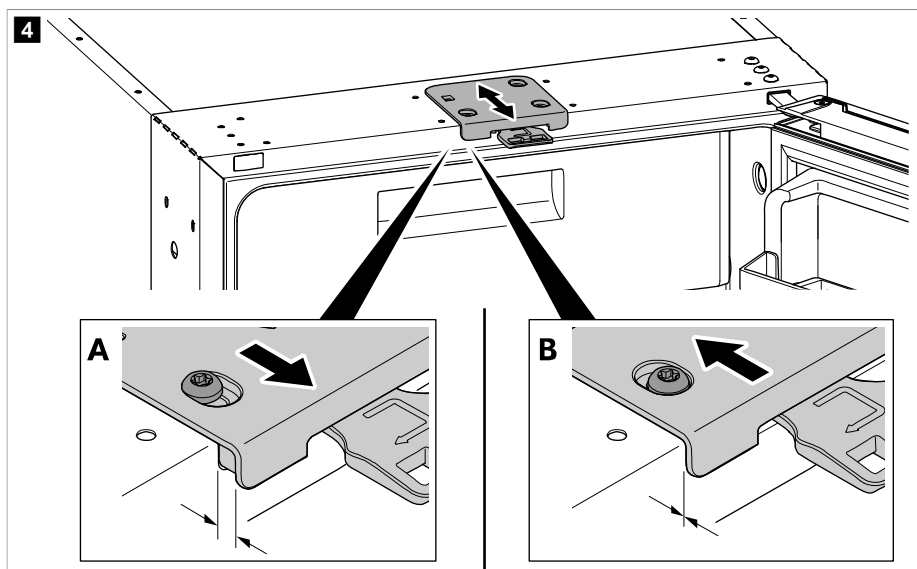
#### 8.1.1 Prilagodavanje zasuna vrata

Zasun vrata na vrhu hladnjaka može se prilagoditi da bi regulirala širina zatvaranja vrata.



**i** **UPUTA** Provjerite je li ugrađen podesivi zasun vrata. Ako je potrebno, naručite podesivi zasun vrata ([dometic.com](http://dometic.com)) i zamijenite fiksni zasun vrata podesivim zasunom vrata.

> Zasun vrata tvornički je postavljen na položaj **A**. Zasun vrata pomaknite u položaj **B**.



**i** **UPUTA** Ako je zasun vrata u položaju **B**, provjerite jesu li vrata tijekom zatvaranja pravilno zatvorena (pogledajte poglavlje Zatvaranje i pričvršćivanje vrata hladnjaka na stranici 419).

## 8.2 Informacije o čuvanju hrane



### OPREZI! Opasnost za zdravlje

Ako je hladnjak izložen temperaturi okoline manjoj od 10 °C tijekom duljeg razdoblja, reguliranje temperature pretinca za zamrzavanje više se ne može zajamčiti. To može uzrokovati povećanje temperature pretinca za zamrzavanje i odmrzavanje namirnica koje se u njemu nalaze.

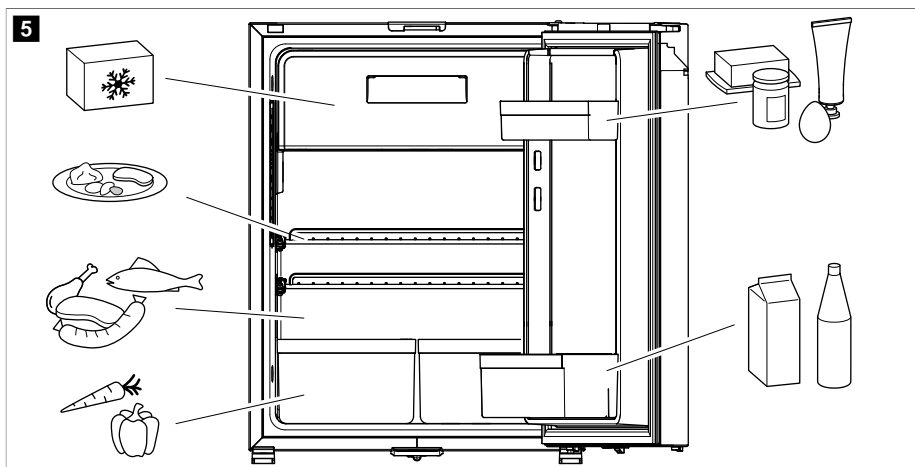


### POZOR! Opasnost od oštećenja

- > Prilikom punjenja hladnjaka obratite pozornost na maksimalno opterećenje po polici na vratima (pogledajte Tehnički podaci na stranici 431).
- > U pretincu za zamrzavanje nemojte čuvati gazirane napitke.

Radi izbjegavanja bacanja hrane zapamtite sljedeće:

- Držite fluktuacije temperature na najmanjoj mogućoj mjeri. Otvarajte mini hladnjak samo onoliko često koliko je to zaista neophodno. Namirnice spremajte na takav način da zrak još uvijek može dobro cirkulirati.
  - Prilagodite temperaturu količini i vrsti namirnica.
  - Pohranite različite vrste namirnica kako je prikazano na slikama.
  - Namirnice mogu lako apsorbirati ili ispuštati miris i okus. Uvijek spremajte namirnice poklopljene ili u zatvorenim posudama / bocama.
- > Hranu pohranite kako je prikazano.



## 8.3 Ušteda energije

- Otvarajte mini hladnjak samo onoliko često koliko je to zaista neophodno.
- Toplu hranu ostavite da se najprije ohladi prije nego što je stavite u uređaj na hlađenje.
- Hladnjak odmrznite čim se stvori sloj leda.
- Izbjegavajte bespotrebno niske postavke temperature.
- Radi optimalne potrošnje energije police i ladice postavljajte u skladu s njihovim položajem pri isporuci.
- Redovito provjeravajte prijanja li brtva na vratima i dalje pravilno.
- U redovitim razmacima čistite prašinu i prljavštinu s kondenzatora.



## 8.4 Upotreba vrata hladnjaka



### OPREZI Opasnost od ozljeda

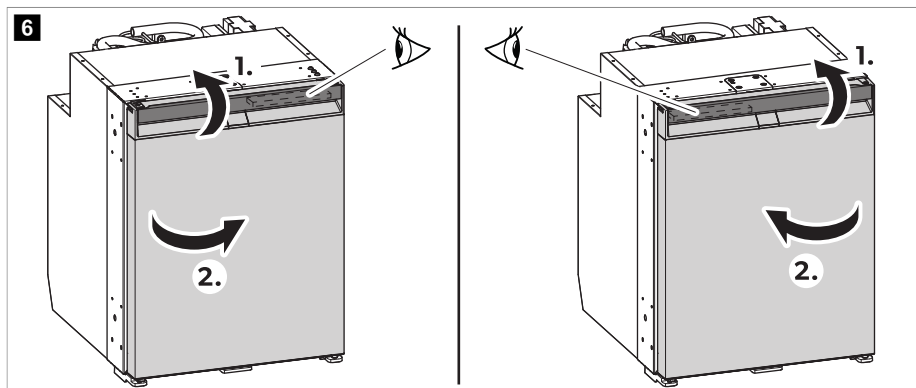
Vrata hladnjaka ili pretinca za zamrzavanje mogu se u potpunosti odvojiti od uređaja ako se ne upotrebljavaju propisno.

### 8.4.1 Otvaranje vrata hladnjaka



**UPUTA** Povucite ručku na suprotnu stranu od graničnika vrata. Obratite pozornost na položaj klizača. Pogledajte povezane upute za montažu.

> Da biste otvorili vrata hladnjaka, nastavite kao što je prikazano.



### 8.4.2 Zatvaranje i pričvršćivanje vrata hladnjaka



### OPREZI Opasnost od ozljeda

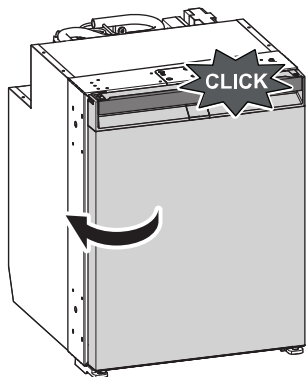
Ako vrata nisu pravilno pričvršćena, pažljivo pritisnite gornji i donji dio vrata sve dok ne sjednu na mjesto.



**UPUTA** Vrata hladnjaka imaju mehanizam zasuna koji se upotrebljava i radi zaštite tijekom transporta.

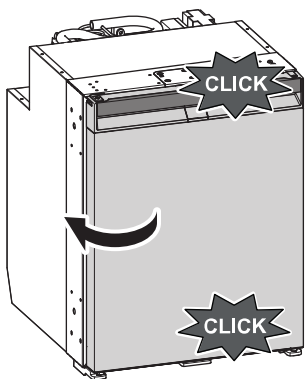
- > NRX0035-0130(E): Čvrsto zatvorite vrata dok se ne začuje jasan klik pri vrhu.

## 7 NRX0035 – 0130 (E)



- > NRX0035-0130(C/S): Čvrsto zatvorite vrata dok se ne začuje jasan klik pri vrhu i pri dnu.

## 8 NRX0035 – 0130 (C/S)





- ✓ Vrata su nakon toga zatvorena i pričvršćena.

### 8.5 Uključivanje i isključivanje




**UPUTA** Hladnjak uvijek isključite ako ga dulje vrijeme nećete upotrebljavati.

- > Da biste ga uključili, pritisnite i držite tipku  najmanje 2 s.
- ✓ Hladnjak će se uključiti na posljednjoj postavki razine hlađenja i načina rada.
- > Da biste ga isključili, pritisnite i držite tipku  najmanje 2 s.

## 8.6 Postavljanje načina rada



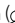
**UPUTA** Kada koristite način rada ECO, PERFORMANCE ili ZAMRZIVAČ, sustav ostaje u tom načinu rada do daljnjih promjena.

- > Da biste postavili način rada, pritisćite tipku  sve dok LED indikator načina rada ne zasvijetli za odabrani način rada.

Dostupni su sljedeći način rada:

### Upotreba načina rada ECO

Kada je aktiviran način rada ECO, hladnjak radi sa smanjenom potrošnjom energije pri razinama hlađenja 1 – 3.


- ✓ LED indikator načina rada za ECO način rada () i LED indikator odabranog stupnja hlađenja svijetle.

### Upotreba načina rada QUIET

Kada je aktiviran način rada QUIET, hladnjak radi sa smanjenom razinom buke pri razinama hlađenja 1 – 4.



#### UPUTA

- > Način QUIET nije dostupan ako hladnjak radi u načinu rada ZAMRZIVAČA.
- > Prilikom upotrebe načina rada QUIET, hladnjak u tom načinu rada ostaje 8 h i zatim se vraća u prethodno odabrani način rada (ECO ili PERFORMANCE).
- ✓ LED indikator načina rada za QUIET način rada () i LED indikator odabranog stupnja hlađenja svijetle.

### Upotreba načina rada PERFORMANCE

Kada je aktiviran način rada PERFORMANCE, hladnjak radi u standardnom načinu rada pri razinama hlađenja 1 – 5.


- ✓ LED indikator načina rada za način rada PERFORMANCE () i LED indikator odabranog stupnja hlađenja svijetle.

### Upotreba načina rada ZAMRZIVAČA

Kada je aktiviran način rada ZAMRZIVAČA, cijela se unutrašnjost hladnjaka hladi na temperaturu od  $-6^{\circ}\text{C}$ .



**UPUTA** Izvadite pretinac za zamrzavanje kako biste koristili način rada ZAMRZIVAČA.

- ✓ LED indikator načina rada za način rada ZAMRZIVAČA () i LED indikator svih razina hlađenja neprestano su uključeni.

## 8.7 Postavljanje razine hlađenja

- > Kako biste postavili razinu hlađenja, uzastopno pritisćite gumb  do postizanja željene razine hlađenja.

## 8.8 Promjena položaja polica



#### UPOZORENJE! Opasnost da će djeca ostati zarobljena u uređaju

NRX0060–0130: Sve su police fiksirane da bi se djecu spriječilo u penjanju u hladnjak.

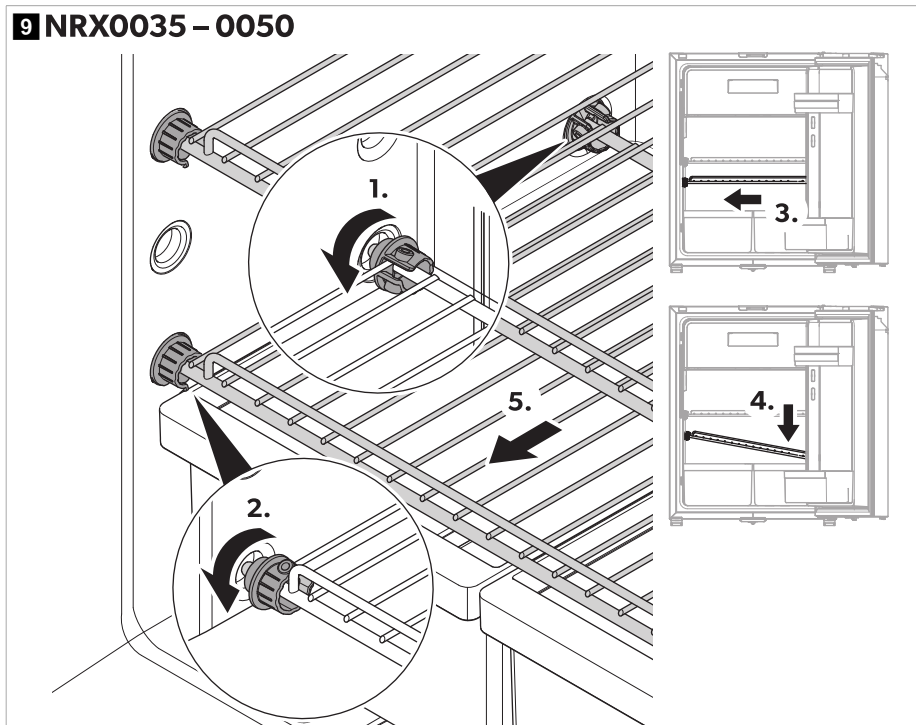
- > Police izvadite samo u slučaju čišćenja.
- > Police ponovno vratite i pričvrstite na mjesto.



**UPUTA** Izvadite pretinac za zamrzavanje prije vraćanja police radi lakšeg pristupa stražnjim ručicama za police.

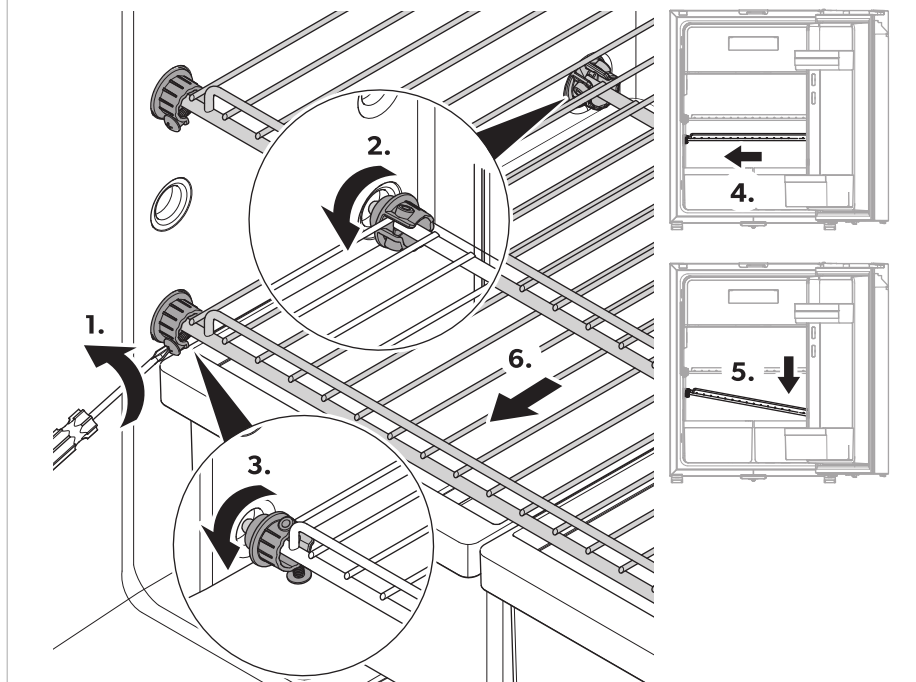
> **NRX0035-0050:** Da biste promijenili položaj police, nastavite kako je prikazano.

## 9 NRX0035 – 0050



- > **NRX0035-0050:** Da biste promijenili položaj polica, nastavite kako je prikazano.

## 10 NRX0060 – 0130



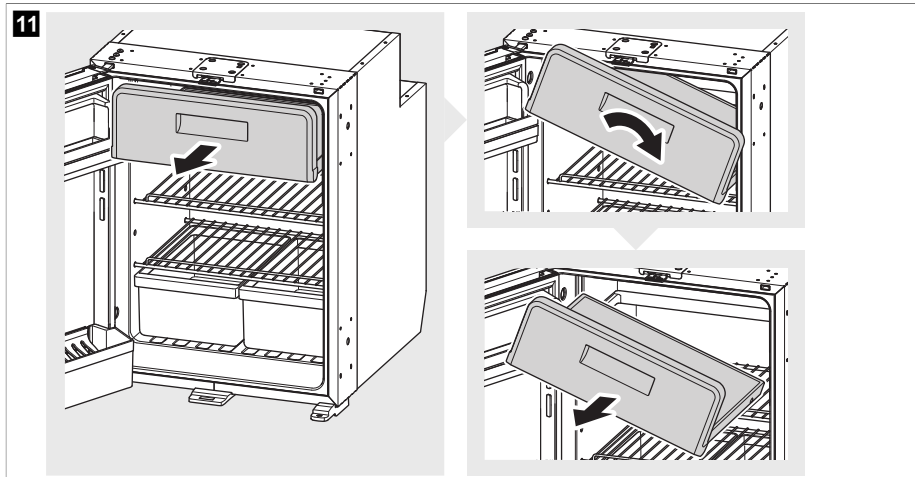
### 8.9 Uklanjanje pretinca za zamrzavanje



#### **POZOR! Opasnost od oštećenja**

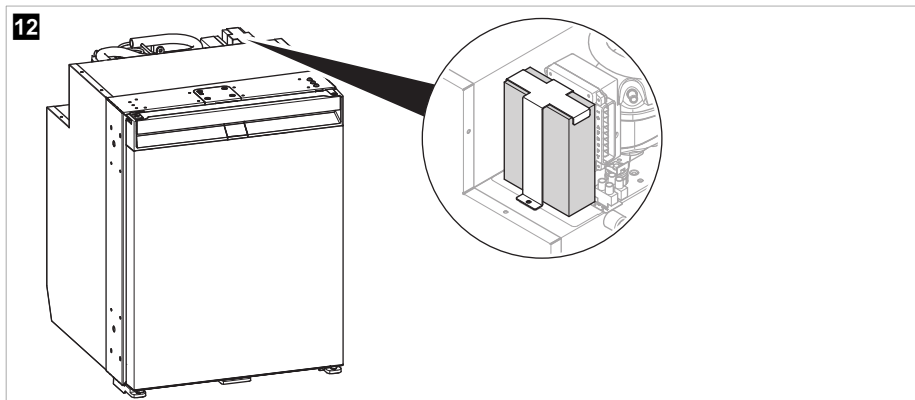
- > Zatvorite vrata pretinca za zamrzavanje da biste izvadili pretinac za zamrzavanje.
- > Pretinac za zamrzavanje uhvatite s donje strane. Nemojte povlačiti vrata pretinca za zamrzavanje.
- > Pretinac za zamrzavanje čuvajte na suhom i sigurnom mjestu.

- > Da biste izvadili pretinac za zamrzavanje, pratite prikazane upute.



## 8.10 Postavljanje AC/DC adaptera

- > Za postavljanje AC/DC adaptera (dodatna oprema) postupite kako je prikazano.



## 9 Čišćenje i održavanje



### UPOZORENJE! Opasnost od strujnog udara

Uvijek odvojite hladnjak od napajanja prije čišćenja i održavanja.



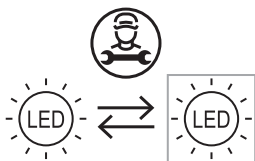
### POZOR! Opasnost od oštećenja

- > Nemojte koristiti abrazivna sredstva za čišćenje ili tvrde predmete tijekom čišćenja.
- > Nikad ne upotrebljavajte tvrde ili oštre alate za uklanjanje leda ili oslobađanje zaleđenih predmeta.
- > Provjerite da na brtve ne kapa voda. Time se može oštetiti elektronika.



### **POZOR! Opasnost od oštećenja**

Izvor svjetlosti smije zamijeniti samo proizvođač, ovlašteni servis ili osoba sa sličnim kvalifikacijama radi izbjegavanja opasnosti.



- > Čistite hladnjak iznutra i izvana vlažnom krpom u redovitim razmacima i čim se zaprlja. Hladnjak nakon čišćenja prebrišite suhom krpom.
- > Redovito provjeravajte odvod kondenzata.  
Po potrebi očistite odvod kondenzata. Ako je začepljen, kondenzat će se skupljati na dnu hladnjaka.
- > Redovito čistite prašinu i prljavštinu iz kondenzatora vlažnom krpom.

### **Krug rashladnog sredstva**

Krug rashladnog sredstva ne treba održavati.

### **Odmrzavanje hladnjaka**



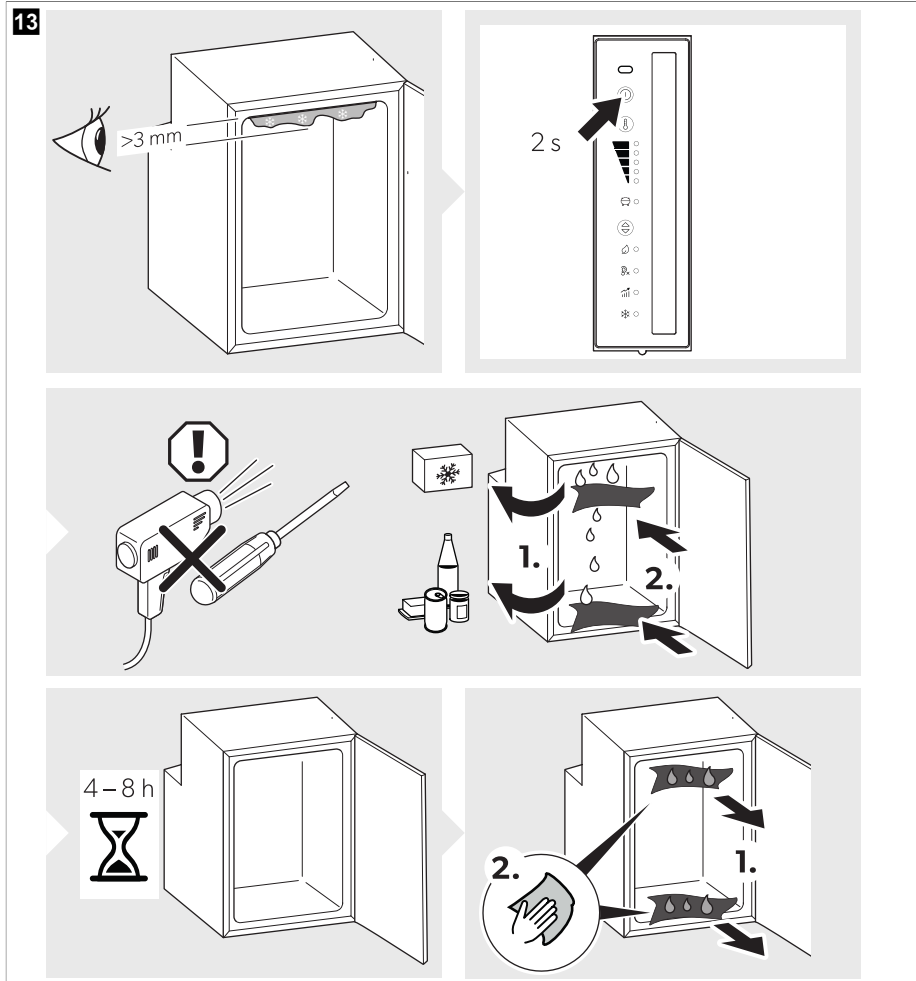
### **POZOR! Opasnost od oštećenja**

Ne upotrebljavajte nikakve mehaničke ni druge alate za ubrzanje procesa odmrzavanja.



**UPUTA** Tijekom upotrebe na stražnjem će se zidu hladnjaka nakupljati sloj leda. Ako je taj sloj leda debljine oko 3 mm, odmrznite hladnjak.

> Da biste odmrznuli hladnjak, nastavite kao što je prikazano.



### Postavljanje vrata hladnjaka u položaj za skladištenje



#### **OPREZI** Opasnost od ozljeda

Položaj za skladištenje ne smije se upotrebljavati tijekom vožnje.

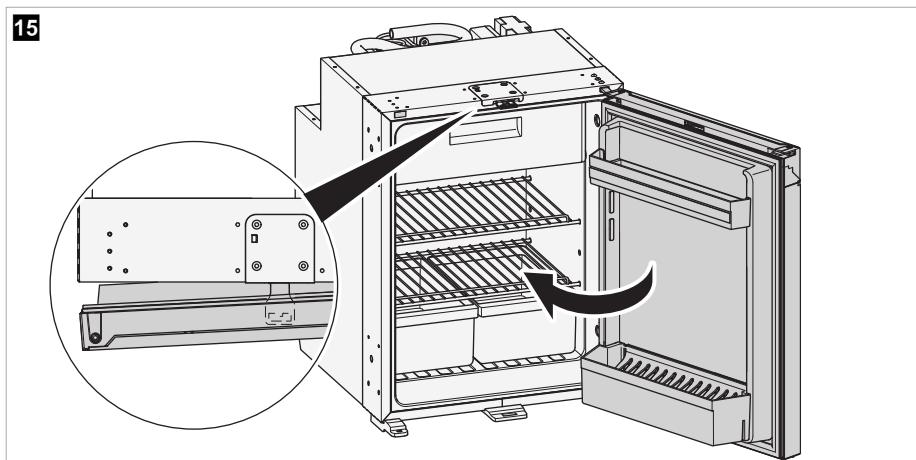
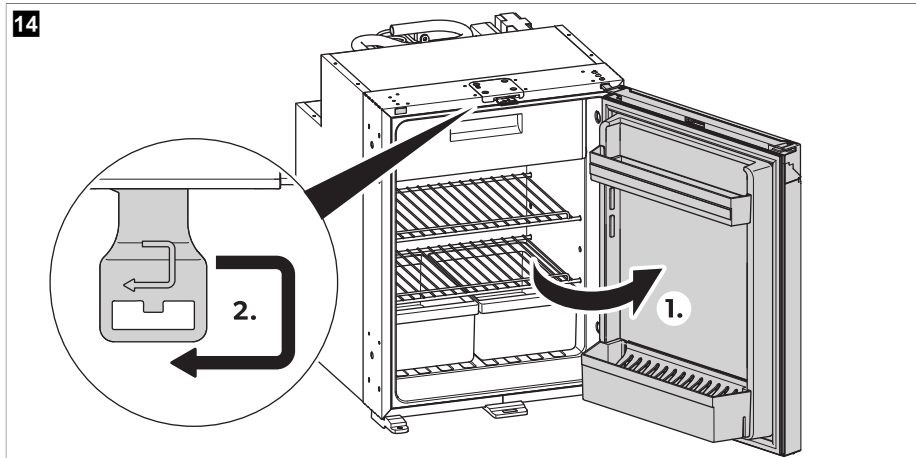


**UPUTA** Ako uređaj nećete upotrebljavati dulje vrijeme, vrata hladnjaka postavite u položaj za skladištenje. To sprječava nastanak plijesni.

> Odmrznite hladnjak (pogledajte Odmrzavanje hladnjaka na stranici 425).



> Vrata hladnjaka stavite u položaj za skladištenje kao što je prikazano.

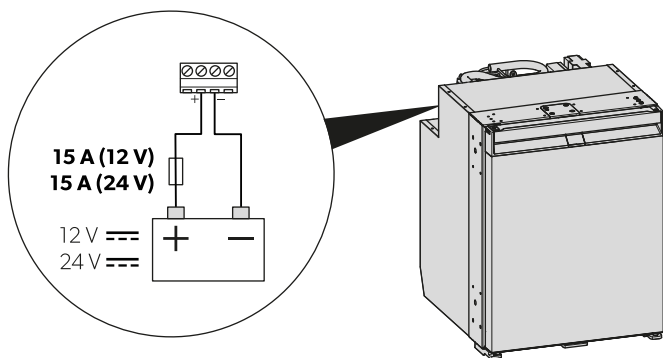


## 10 Uklanjanje smetnji



**UPUTA** Da biste u kamp-kućici sigurno upotrebljavali trošila od 12 V tijekom vožnje, potrebno je osigurati da vozilo za vuču pruža dovoljan napon. Na nekim vozilima sustav za upravljanje akumulatorom može automatski isključiti trošila radi zaštite akumulatora. Dodatne informacije zatražite od proizvođača vozila.

16



| Smetnja  | Mogući uzrok   | Rješenje  |
|--|--|---|
| Hladnjak ne radi.  | Osigurač u kablu za istosmjernu struju nije ispravan.  | > Zamijenite osigurač (  sl. 16 na stranici 428).  |
|  | Pregorio je osigurač vozila.   | > Zamijenite osigurač u vozilu.<br>Pogledajte upute za rukovanje vašeg vozila.  |
|  | Akumulator je vozila prazan.   | > Testirajte akumulator te ga napunite.   |
|  | Paljenje nije uključeno.   | > Uključite paljenje.   |
|  | Temperatura kompresora je preniska (< 0 °C).   | > Izolacijskim materijalom u potpunosti zatvorite/prekrijite ventilacijske rešetke.   |
|  | Hladnjak se automatski isključuje ako napajanje nije dovoljno.<br>(Napon isključivanja: 10,4 V $\Rightarrow$ ) | > Napunite akumulator. Hladnjak će se odmah ponovno automatski pokrenuti.<br>(Napon uključivanja: 11,7 V $\Rightarrow$ )  |
| Nedovoljno hlađenje, unutrašnja je temperatura povećana. Kompresor ne-<br>prekidno radi. | Ventilacija oko rashladne jedinice nije dovoljna.  | > Provjerite nije li ventilacijska rešetka začepljena.<br>> Pomaknite hladnjak na drugo mjesto.   |
|  | Unutrašnje su stranice zaleđene.   | > Provjerite zatvaraju li se vrata hladnjaka ispravno.<br>> Provjerite sjeda li brtva hladnjaka ispravno na mjesto te nije li oštećena.<br>> Odmrznite hladnjak (pogledajte Odmrzavanje hladnjaka na stranici 425). |
|  | Temperatura je postavljena na previsoku vrijednost.  | > Postavite nižu temperaturu.   |
|  | Okolna je temperatura previsoka.   | > Na neko vrijeme uklonite ventilacijsku rešetku da bi topao zrak mogao ranije izaći iz uređaja.  |
|  | Previše je hrane istovremeno postavljeno u hladnjak.   | > Uklonite nešto od hrane.  |

| Smetnja  | Mogući uzrok   | Rješenje   |
|--|--|--|
|  | Previše je tople hrane istovremeno postavljeno u hladnjak.   | > Uklonite toplu hranu i pustite je da se ohladi prije nego što je vratite u hladnjak. |
|  | Hladnjak ne radi dugo.   | > Ponovno provjerite temperaturu nakon 4 h / 5 h.                                      |
|  | Kondenzator je prljav.   | > Očistite kondenzator (pogledajte poglavlje Čišćenje i održavanje na stranici 424).   |
|  | Ventilator nije ispravan.  | > Obratite se ovlaštenom servisu.  |
| Nedovoljno hlađenje, unutrašnja je temperatura povećana.<br>Kompresor se ne pokreće često.                             | Akumulator je ispražnjen.  | > Napunite akumulator.   |
| Nedovoljno hlađenje, unutrašnja je temperatura povećana.<br>Kompresor ne radi (priključak akumulatora).                | Došlo je do prekida kod električnog priključka za akumulator.  | > Uspostavite vezu.  |
|  | Glavni prekidač nije ispravan (ako je montiran).   | > Zamijenite glavni prekidač.  |
|  | Dodatni je osigurač dovodnog voda pregorio (ako je montiran).  | > Zamijenite osigurač dovodnog voda.   |
|  | Napon akumulatora je prenizak.   | > Napunite akumulator.   |
|  | Kapacitet je akumulatora prenizak.   | > Zamijenite akumulator.   |
|  | Kablovi su olabavjeli.<br>Kontakt nije dobar (korozija).   | > Uspostavite vezu.  |
|  | Presjek kabla previše je malen.  | > Zamijenite kabel.  |
| Kompresor je neispravan.   | > Obratite se ovlaštenom servisu.  |  |
| Nedovoljno hlađenje, unutrašnja je temperatura povećana.<br>Kompresor ne radi (veza s napajanjem izmjeničnom strujom). | Dovodni električni vod je prekinut.  | > Uspostavite vezu.  |
|  | Glavni prekidač nije ispravan (ako je montiran).   | > Zamijenite glavni prekidač.  |
|  | Dodatni je osigurač dovodnog voda pregorio (ako je montiran).  | > Zamijenite osigurač dovodnog voda.   |
|  | Kompresor je neispravan.   | > Obratite se ovlaštenom servisu.  |
| Neobični zvukovi.  | Komponenta kruga rashladnog sredstva ne može se slobodno pomicati (dodiruje zid).                                | > Pažljivo savinite komponentu i odmaknite je od prepreke.                             |
|  | Između rashladne jedinice i zida zaglavio se strani predmet.   | > Uklonite strani predmet.   |
|  | Buka ventilatora.  | > Obratite se ovlaštenom servisu.  |
| Vrata se slučajno otvaraju pri kretanju (npr. tijekom vožnje).   | Zasun vrata postavljen je u položaj <b>A</b> (pogledajte poglavlje Prilagođavanje zasuna vrata na stranici 416). | > Zasun vrata postavite u položaj <b>B</b> .   |
| Vrata se ne zatvaraju pravilno.  | Zasun vrata postavljen je u položaj <b>A</b> (pogledajte poglavlje Prilagođavanje zasuna vrata na stranici 416). | > Zasun vrata postavite u položaj <b>B</b> .   |
|  | Zasun vrata postavljen je u položaj <b>B</b> (pogledajte poglavlje Prilagođavanje                                | > Prilikom zatvaranja provjerite jesu li vrata ispravno zatvorena.                     |

| Smetnja | Mogući uzrok  | Rješenje |
|---------|---|----------|
|         | zasuna vrata na stranici 416), ali vrata nisu ispravno zatvorena. |          |

## Indikator pogreške



### UPUTA

- > Sve su pogreške označene narančastim bljeskanjem LED indikatora pogreške (pogledajte Elementi za upravljanje i prikaz na stranici 415). Broj bljesaka ovisi o vrsti pogreške. Svaki bljesak traje četvrtinu sekunde. Nakon slijeda treptaja slijedi pauza. Slijed za označavanje kvara ponavlja se svake četiri sekunde.
- > U načinu rada ECO, PERFORMANSE i ZAMRZIVAČA oglašava se dodatni zvučni signal.

| Učestalost bljeskanja | Pogreška                            | Mogući uzrok   |
|-----------------------|-------------------------------------|--|
| 1                     | Prenizak ili previsok napon         | Napon napajanja postavljen je izvan postavljenog raspona.  |
| 2                     | Prenapon ventilatora                | Opterećenje akumulatora na elektroničkoj jedinici prelazi 1 A.   |
| 3                     | Motor nije moguće pokrenuti.        | Rotor je zaglavljen.<br>Razlika u tlaku sustava za hlađenje previše je visoka.   |
| 4                     | Brzina je preniska                  | Ako je sustav za hlađenje preopterećen, nije moguće održati minimalnu brzinu ventilatora.                                      |
| 5                     | Pregrijavanje elektroničke jedinice | Ako je sustav za hlađenje preopterećen ili je temperatura postavljena na previsoku vrijednost, elektronika se može pregrijati. |
| Neprestano            | Pogreške senzora temperature        | Senzor temperature nije ispravan.  |

## 11 Jamstvo

Primjenjuje se zakonom propisano jamstveno razdoblje. Ako je proizvod neispravan, obratite se podružnici proizvođača u svojoj državi (pogledajte [dometic.com/dealer](http://dometic.com/dealer)) ili svojem trgovcu na malo.

Za potrebe popravaka i obrade jamstva pri slanju uređaja priložite sljedeće dokumente:

- presliku računa s datumom kupnje
- razlog reklamacije ili opis kvara

Obratite pozornost da samostalni ili nestručni popravak može imati negativne posljedice na sigurnost i uzrokovati gubitak jamstva.

## 12 Odlaganje u otpad



### POZOR! Opasnost od oštećenja

Izolacija rashladnog uređaja sadrži zapaljivi ciklopentan i zahtijeva posebne postupke zbrinjavanja. Na kraju njegovog životnog ciklusa dostavite rashladni uređaj u odgovarajući centar za recikliranje.



Odložite ambalažu u odgovarajuće kante za reciklažu otpada gdje god je to moguće. Za detalje o odlaganju proizvoda u otpad, zatražite od svog lokalnog centra za recikliranje ili specijaliziranog trgovca pojediniosti o tomu kako to učiniti u skladu s važećim propisima o odlaganju otpada. Europa: Proizvod se može besplatno odložiti u otpad.

## 13 Tehnički podaci

Trenutačno važeću EU izjavu o sukladnosti za svoj uređaj potražite na stranici odgovarajućeg proizvođača na adresi [dometic.com](http://dometic.com) ili se izravno obratite proizvođaču (pogledajte [dometic.com/dealer](http://dometic.com/dealer)).

Uređaj je sukladan UN ECU uredbi R10.

|  | NRX0035(E/C/S) | NRX0050(E/C/S)           | NRX0060(E/C/S) |
|--|----------------|--------------------------|----------------|
| Kapacitet  |                |                          |                |
| • Pretinac hladnjaka (samo za NRX0035–0130[C/S])           | 27,3 L         | 39,6 L                   | 48,9 L         |
| • Pretinac za zamrzavanje (samo za NRX0035–0130[C/S])      | 4,4 L          | 4,4 L                    | 6,1 L          |
| • Ukupan kapacitet   | 32 L           | 44 L                     | 55 L           |
| • Ukupan kapacitet (s uklonjenim pretincem za zamrzavanje) | 34 L           | 46 L                     | 58 L           |
| Priključni napon   |                | 12 / 24 V <sup>===</sup> |                |
| Zaštita akumulatora za napajanje (12 V)                    |                |                          |                |
| • Napon isključivanja                                      |                | 10,4 V                   |                |
| • Napon uključivanja                                       |                | 11,7 V                   |                |
| Zaštita akumulatora za napajanje (24 V)                    |                |                          |                |
| • Napon isključivanja                                      |                | 22,8 V                   |                |
| • Napon uključivanja                                       |                | 24,2 V                   |                |
| Klimatski razred   |                | T                        |                |
| Raspon temperature skladištenja:                           |                |                          |                |
| • Hladnjak   |                | 0 °C ... 12 °C           |                |
| • Pretinac za zamrzavanje (samo za NRX0035–0130[C/S])      |                | –15 °C ... –5 °C         |                |
| • Način rada zamrzivača (samo za NRX0035–0130[C/S])        |                | –6 °C                    |                |
| Namjenska upotreba na okolnoj temperaturi                  |                | 16 °C ... 43 °C          |                |
| Rashladno sredstvo   |                | R134a                    |                |
| Količina rashladnog sredstva                               | 24 g           | 26 g                     | 30 g           |
| CO <sub>2</sub> ekvivalent                                 | 0,034 t        | 0,037 t                  | 0,043 t        |
| Potencijal globalnog zagrijavanja (GWP)                    |                | 1430                     |                |
| Emisija buke (EN 60704)                                    |                | 40 ... 45 dB(A)          |                |

|  | <b>NRX0035(E/C/S)</b>  | <b>NRX0050(E/C/S)</b>     | <b>NRX0060(E/C/S)</b>    |
|--|--|---------------------------|--------------------------|
| Dimenzije V x Š x D  | 525 × 380 × 355 mm<br><br>(bez kompresora i držača razmaka)<br><br>525 mm × 380 mm × 480 mm<br><br>(s kompresorom i držačem razmaka) | 525 mm × 380 mm × 510 mm  | 525 mm × 448 mm × 537 mm |
| Neto težina  | E: 13,5 kg<br>C, S: 16 kg  | E: 14,5 kg<br>C, S: 17 kg | E: 16 kg<br>C, S: 17 kg  |
| Maksimalno opterećenje                                     |  |                           |                          |
| • Po polici na vratima                                     | 4 kg   | 4 kg                      | 5 kg                     |
| • Po vratima   | E: 4 kg<br>C/S: 8 kg   | E: 4 kg<br>C/S: 8 kg      | E: 5 kg<br>C/S: 10 kg    |
|  | <b>NRX0080(E/C/S)</b>  | <b>NRX0115(E/C/S)</b>     | <b>NRX0130(E/C/S)</b>    |
| Kapacitet  |  |                           |                          |
| • Pretinac hladnjaka (samo za NRX0035 – 0130[C/S])         | 68,4 L   | 104,5 L                   | 118 L                    |
| • Pretinac za zamrzavanje (samo za NRX0035 – 0130[C/S])    | 6,6 L  | 8,2 L                     | 8,2 L                    |
| • Ukupan kapacitet   | 75 L   | 113 L                     | 126 L                    |
| • Ukupan kapacitet (s uklonjenim pretincem za zamrzavanje) | 78 L   | 116 L                     | 130 L                    |
| Priključni napon   | 12 / 24 V <sup>===</sup>   |                           |                          |
| Zaštita akumulatora za napajanje (12 V)                    |  |                           |                          |
| • Napon isključivanja                                      |  | 10,4 V                    |                          |
| • Napon uključivanja                                       |  | 11,7 V                    |                          |
| Zaštita akumulatora za napajanje (24 V)                    |  |                           |                          |
| • Napon isključivanja                                      |  | 22,8 V                    |                          |
| • Napon uključivanja                                       |  | 24,2 V                    |                          |
| Klimatski razred   | T  |                           |                          |
| Raspon temperature skladištenja                            |  |                           |                          |
| • Hladnjak   |  | 0 °C ... 12 °C            |                          |
| • Pretinac za zamrzavanje (samo za NRX0035–0130[C/S])      |  | -15 °C ... -5 °C          |                          |

|   | NRX0080(E/C/S)          | NRX0115(E/C/S)          | NRX0130(E/C/S)          |
|---|-------------------------|-------------------------|-------------------------|
| • Način rada zamrzivača (samo za NRX0035–0130C/S) |                         | –6 °C                   |                         |
| Namjenska upotreba na okolnoj temperaturi         |                         | 16 °C ... 43 °C         |                         |
| Rashladno sredstvo                                |                         | R134a                   |                         |
| Količina rashladnog sredstva                      | 32 g                    | 40 g                    | 40 g                    |
| CO2 ekvivalent                                    | 0,046 t                 | 0,057 t                 | 0,057 t                 |
| Potencijal globalnog zagrijavanja (GWP)           |                         | 1430                    |                         |
| Emisija buke (EN 60704)                           |                         | 40 ... 45 dB(A)         |                         |
| Dimenzije V x Š x D                               | 625 × 475 × 537 mm      | 745 × 525 × 568 mm      | 812 × 525 × 568 mm      |
| Neto težina                                       | C, S: 20 kg<br>E: 18 kg | C, S: 26 kg<br>E: 24 kg | C, S: 27 kg<br>E: 25 kg |
| Maksimalno opterećenje                            |                         |                         |                         |
| • Po polici na vratima                            | 5 kg                    | 6 kg                    | 6 kg                    |
| • Po vratima                                      | 10 kg                   | E: 12 kg<br>C/S: 18 kg  | E: 12 kg<br>C/S: 18 kg  |

## 14 Tehnički podaci

Trenutačno važeću EU izjavu o sukladnosti za svoj uređaj potražite na stranici odgovarajućeg proizvođača na adresi [dometic.com](http://dometic.com) ili se izravno obratite proizvođaču (pogledajte [dometic.com/dealer](http://dometic.com/dealer)).

Uređaj je sukladan UN ECU uredbi R10.

|  | NRX0090V    |
|--|-------------|
| Kapacitet  |             |
| • Pretinac hladnjaka                                       | 79 L        |
| • Pretinac za zamrzavanje                                  | 8,4 L       |
| • Ukupan kapacitet   | 87 L        |
| • Ukupan kapacitet (s uklonjenim pretincem za zamrzavanje) | 92 L        |
| Priključni napon   | 12 / 24 V== |
| Zaštita akumulatora za napajanje (12 V)                    |             |
| • Napon isključivanja                                      | 10,4 V      |
| • Napon uključivanja                                       | 11,7 V      |
| Zaštita akumulatora za napajanje (24 V)                    |             |
| • Napon isključivanja                                      | 22,8 V      |
| • Napon uključivanja                                       | 24,2 V      |

|   | <b>NRX0090V</b>          |
|---|--------------------------|
| Potrošnja energije                        | 0,35 kWh / 24 h          |
| Klimatski razred                          | T                        |
| Raspon temperature skladištenja           |                          |
| • Hladnjak                                | 0 °C ... 15 °C           |
| • Pretinac za zamrzavanje                 | -12 °C ... -5 °C         |
| • Način rada zamrzivača                   | -5 °C ± 2 °C             |
| Namjenska upotreba na okolnoj temperaturi | 16 °C ... 43 °C          |
| Rashladno sredstvo                        | R600a                    |
| Količina rashladnog sredstva              | 22 g                     |
| Ekvivalent CO <sub>2</sub>                | 0,000 t                  |
| Potencijal globalnog zagrijavanja (GWP)   | 3                        |
| Emisija buke (EN60704)                    |                          |
| • Način rada PERFORMANCE                  | < 40 dB(A)               |
| • Način rada QUIET                        | 37 dB(A)                 |
| Dimenzije V x Š x D                       | 821 mm × 486 mm × 480 mm |
| Neto težina                               | 22 kg                    |



## Türkçe

|    |                              |     |
|----|------------------------------|-----|
| 1  | Önemli notlar.....           | 435 |
| 2  | Sembollerin açıklanması..... | 435 |
| 3  | Güvenlik uyarıları.....      | 436 |
| 4  | Teslimat kapsamı.....        | 438 |
| 5  | Aksesuar.....                | 438 |
| 6  | Amacına Uygun Kullanım.....  | 440 |
| 7  | Teknik açıklama.....         | 440 |
| 8  | Kullanım.....                | 443 |
| 9  | Temizlik ve bakım.....       | 451 |
| 10 | Arızaların Giderilmesi.....  | 454 |
| 11 | Garanti.....                 | 457 |
| 12 | Atık İmhası.....             | 457 |
| 13 | Teknik Bilgiler.....         | 457 |
| 14 | Teknik Bilgiler.....         | 460 |

## 1 Önemli notlar

Bu ürünü doğru monte ettiğinizden ve ürünün daima kullanıma hazır olduğundan emin olmak için lütfen tüm talimatları ve bu ürün kılavuzunda verilen kılavuzları ve uyarıları dikkatlice okuyunuz. Bu talimatlar bu ürün ile birlikte SAKLANMALIDIR.

Bu ürünü kullandığınızda tüm talimatları, kılavuzları ve uyarıları dikkatlice okuduğunuzu ve anladığınızı ve hükümlere ve koşullara bu sözleşmede yer almıyormuş gibi uyacağınızı onay verirsiniz. Bu ürünü sadece amacına ve uygulamaya uygun ve talimatlara, kılavuzlara ve uyarılara uygun bu ürün kılavuzu ile geçerli yasalara ve yönetmeliklere uygun olarak kullanacağınızı kabul ediyorsunuz. Talimatların ve uyarıların burada verildiği gibi okunmaması veya bunlara uyulmaması sonucu kendiniz ve diğer insanlar yaralanabilir veya ürününüz veya yakınında bulunan diğer mallar hasar görebilir. Talimatlar, kılavuzlar ve uyarılar da dahil, bu ürün kılavuzu ve buna ait olan dokümanlarda değişiklikler ve güncellemeler yapılabilir. Güncel ürün bilgileri için lütfen [documents.dometic.com](http://documents.dometic.com) adresini ziyaret edin.

## 2 Sembollerin açıklanması

Bir sinyal sözcüğü, güvenlik ve maddi hasar mesajlarını tanımlar ve ayrıca tehlikenin ciddiyet derecesini veya seviyesini gösterir.



### TEHLİKE!

Önlenmediğinde, can kaybı veya ağır bir yaralanmaya neden olan tehlikeli bir durumu gösterir.



### UYARI!

Önlenmediğinde, can kaybı veya ağır bir yaralanmaya neden olabilecek tehlikeli bir durumu gösterir.



### DİKKAT!

Önlenmediğinde, hafif veya orta derecede bir yaralanmaya neden olabilecek tehlikeli bir durumu gösterir.



### İKAZ!

Önlenmediğinde, maddi hasara neden olabilecek bir durumu gösterir.



**NOT** Ürünün kullanılması ile ilgili ek bilgiler.

## 3 Güvenlik uyarıları

### Genel güvenlik



#### UYARI! Elektrik çarpması tehlikesi

- > Buzdolabının montajı ve sökülmesi sadece kalifiye personel tarafından gerçekleştirilmelidir.
- > Banyolara ve suya maruz kalan alanlara montajı kalifiye bir teknisyen tarafından yapılmalıdır.
- > Buzdolabını kanopi veya benzeri bir ortamın altına monte ediyorsanız, buzdolabının yağmurdan ve sıçrayan sudan korunduğundan emin olun.
- > Buzdolabında gözle görülebilir hasar varsa buzdolabını çalıştırmayın.
- > Buzdolabının onarımı sadece kalifiye personel tarafından yapılmalıdır. Uygun olmayan onarımlar ciddi tehlikelere veya buzdolabında hasara yol açabilir.
- > Buzdolabının güç kablosunda hasar varsa, tehlike oluşmaması için üretici, yetkili servis veya benzeri bir kalifiye personel tarafından değiştirilmelidir.
- > Buzdolabı yerleştirilirken besleme kablosunun sıkışmamasına veya hasar görmemesine dikkat edin.
- > Buzdolabının arkasına seygar çoklu priz ve taşınabilir güç kaynağı yerleştirmeyin.
- > Açıktaki kabloları çıplak elle dokunmayın.
- > Özellikle cihazın topraklanması gerektiğinde cihazın fişini düzgün bağlantı sağlayan prizlere takın.
- > Cihaz ana şebekeden güç alıyorsa, güç kaynağında, kaçak akım devre kesici (RCCB) veya bir toprak arıza devre kesici (GFCl) bulunduğundan emin olun. Montaj, özellikle potansiyel olarak nemli olabilecek alanlarda geçerli tüm yönetmeliklere uygun olarak gerçekleştirilmelidir.



#### UYARI! Yangın tehlikesi

- > Soğutucu akışkan devresi az miktarda, çevre dostu bir soğutucu akışkan içerir. Ozon tabakasına zarar vermez ve sera etkisini artırmaz. Herhangi bir soğutucu akışkan sızıntısı tutuşabilir.
- > Buzdolabını hava akışının olmadığı veya çok az olduğu kapalı alanlarda kullanmayın veya saklamayın.
- > Buzdolabının montaj girintisinde, normal veya anormal çalışma sırasında kıvılcım veya ark oluşturan elektrikli bileşenler ve ışık kaynakları (örn. röleler veya sigorta kutuları) bulundurmayın.
- > Buzdolabının yalıtımı tutuşabilen siklopentan içerir ve özel atık bertaraf prosedürlerine tabidir. Kullanım ömrünü tamamlayan buzdolabı uygun bir geri dönüşüm merkezine verilmelidir.



#### UYARI! Patlama tehlikesi

Buzdolabında, içinde itici gaz bulunan aerosol kutuları gibi patlayıcı maddeler saklamayın.



#### UYARI! Sağlık için tehlike

- > Bu buzdolabı, 8 yaş üstü çocuklar, fiziksel, duyuşsal ve zihinsel engelli ve deneyimleri ile bilgileri olmayan kişiler tarafından sadece denetim altında veya buzdolabının güvenli olarak kullanılması ve oluşabilecek tehlikeleri anlamaları durumunda kullanılabilir.
- > 3 ile 8 yaş arasındaki çocukların buzdolabını doldurmalarına ve boşaltmalarına izin verilir.
- > Temizlik ve kullanıcı bakımı gözetimsiz olarak çocuklar tarafından yapılmamalıdır.
- > Buzdolabıyla oynamadıklarından emin olmak için çocuklar daima gözetlenmelidir.



#### UYARI! Çocuklar için sıkışma tehlikesi

- > Rafların, çocuklar kendini buzdolabına kilitlemeyecek şekilde monte edildiğinden ve sabitlendiğinden emin olun.
- > Eski buzdolabınızı imha etmeden önce:
  - Çekmeceleri sökün.
  - Rafları, çocukların içine tırmanmaması için buzdolabında bırakın.

- > Kapakları çıkartın.



### **DİKKAT! Sağlık için tehlike**

- > Buzdolabının dengesizliğinden kaynaklanan bir tehlikeyi önlemek için buzdolabı, montaj talimatlarına uygun olarak sabitlenmelidir.
- > Buzdolabının üzerindeki ve muhafazasındaki veya gömme yapıdaki havalandırma boşluklarının engellenmemesine dikkat edin.
- > Buz çözme işlemini hızlandırmak için üretici tarafından tavsiye edilenler dışında mekanik aletler veya diğer türden araçlar kullanmayın.
- > Hiçbir koşulda soğutucu akışkan devresini açmayın veya zarar vermeyin.
- > Üretici tarafından önerilmedikçe buzdolabı içinde bu amaç için elektrikli cihazlar kullanmayın.



### **DİKKAT! Yaralanma riski**

- > Buzdolabının içinde veya yakınında yanıcı maddeler kullanmayın veya saklamayın.
- > Buzdolabının üzerine veya önüne eşya koymayın.
- > Buzdolabında değişiklik yapmayın.



### **İKAZ! Hasar tehlikesi**

- > DC güç kaynağı ile çalışmayı yalnızca araç motoru çalışıyorsa ve yeterli gerilim sağlıyorsa veya bir akü denetleyici kullanıyorsanız seçin.
- > Varsa yağışma suyu tahliyesini her zaman temiz tutun.
- > Buzdolabının havalandırma ızgaraları varsa aracı temizlerken havalandırma ızgarasının yakınında yüksek basınçlı bir temizleyici kullanmayın.
- > Bu buzdolabı yağmur altında bırakılmamalıdır.
- > Fişi prizden çıkartmak için asla bağlantı kablosunu kullanmayın.

## **Buzdolabının güvenli olarak çalıştırılması**



### **TEHLİKE! Elektrik çarpması tehlikesi**

Buzdolabını çalıştırmadan önce besleme hattı ile fişinin kuru olduğundan emin olun.



### **DİKKAT! Sağlık için tehlike**

- > Buzdolabına yalnızca seçilen sıcaklıkta soğutulabilecek ürünler koyduğunuzdan emin olun.
- > Yiyecek maddeleri ve erişilebilen drenaj sistemlerine temas edebilecek yüzeyleri düzenli olarak temizleyin.
- > Çiğ et ve balığı buzdolabında saklarken uygun kaplar kullanın, böylece çiğ et ve balık diğer yiyeceklerle temas etmez veya suları diğer yiyeceklerin üzerine damlamaz.
- > Kapağın uzun bir süre açık kalması, buzdolabı bölmelerindeki sıcaklığın önemli oranda yükselmesine neden olabilir. Buzdolabı uzun bir süre boş kalacaksa:
  - Buzdolabını kapatın.
  - Buzdolabının buzunu çözünüz.
  - Buzdolabını temizleyin ve kurutun.
  - Buzdolabının içinde küf oluşmaması için kapağı açık bırakın. Varsa buzdolabı kapağını ve dondurucu kapağını kış konumuna getirin.



### **DİKKAT! Yaralanma riski**

- > Parmaklarınızı menteşeye sokmayın.
- > Bir seyahate başlamadan önce buzdolabının kapağını kapatın ve kilitleyin.

- > Buzdolabının arka kısmında bulunan soğutma ünitesi çalışma esnasında çok ısınır. Buzdolabında havalandırma ızgaraları varsa havalandırma ızgaralarını çıkarırken kendinizi sıcak parçalara temas etmekten koruyun.
- > Cihaz kapağı veya dondurucu kapağı, yanlış kullanıldığında cihazdan tamamen ayrılabilir. Üstte ve altta net bir tık sesi duyana kadar kapakları iterek kapatın.



### İKAZ! Hasar tehlikesi

- > Açık buzdolabı kapağına yaslanmayın.
- > Şişe veya teneke kutu gibi ağır nesnelere yalnızca buzdolabı kapağında, sebze bölümünde veya alt rafta saklayın.
- > Buzdolabının çift taraflı kapağı varsa ve kapak karşı tarafta doğru şekilde kilitlememişse, yerine otarana kadar o tarafı üstten ve alttan itin.
- > **Aşırı ısınma tehlikesi!** Çalışma sırasında oluşan ısının dağılabilmesi için her zaman yeterli havalandırma sağlandığından emin olun. Hava sirkülasyonu için buzdolabının duvarlardan ve diğer nesnelere yeterince uzakta olduğundan emin olun.
- > İç kısmı buz veya sıvı ile doldurmayın.
- > Buzdolabını ve kablosunu ısıya ve neme karşı koruyun.
- > Fişi prizden çıkartmak için asla bağlantı kablosunu kullanmayın.



### NOT

- > Aracınızın akü yönetim sistemi, aküyü korumak için buzdolabını kapatırsa araç üreticinizle iletişime geçin.
- > 15 °C ... 25 °C ortam sıcaklıkları için ortalama sıcaklık ayarını seçin.
- > Kapak karşılıklı iki taraftan doğru şekilde kilitlememişse, yerine otarana kadar o tarafı üstten ve alttan itin.
- > Yiyecek atığı oluşmaması için dikkat edilmesi gerekenler:
  - Sıcaklık dalgalanmasını mümkün olduğu kadar düşük tutun. Dondurucuyu sadece gerekli olduğu süre kadar açın. Yiyecekleri havanın halen iyi dolaşabileceği bir şekilde depolayın.
  - Buzdolabına yalnızca seçilen sıcaklıkta soğutulabilecek ürünler koyduğunuzdan emin olun.
  - Farklı gıda maddelerini şekillerde gösterildiği gibi saklayın.
  - Sıcaklık ayarlanabiliyorsa: Sıcaklığı yiyeceklerin miktarına ve tipine göre ayarlayın.
  - Gıda maddeleri, koku ve tadı kolayca emebilir ve salabilir. Gıda maddelerini her zaman üstü kapalı veya kapalı kaplarda/şişelerde saklayın.

## 4 Teslimat kapsamı

| Miktar | Adı                                 |
|--------|-------------------------------------|
| 1      | Kompresörlü buzdolabı               |
| 1      | Tahliye dirseği                     |
| 1      | Kısa kullanım kılavuzu              |
| 1      | Kullanım kılavuzu (yalnızca online) |
| 1      | Montaj kılavuzu                     |

## 5 Aksesuar

Aksesuar olarak temin edilebilir (teslimat kapsamına dahil değildir):

| Adı  | Parça no.                          |
|--|------------------------------------|
| Kayar menteşe                                      | 9620012939                         |
| Alt çerçeve dahil sabitleme çerçevesi              |                                    |
| • NRX0035, NRX0050                                 | 9620012877                         |
| • NRX0060  | 9620012881                         |
| • NRX0080  | 9620012882                         |
| • NRX0115  | 9620012878                         |
| • NRX0130  | 9620012876                         |
| Alt çerçeve dahil sabitleme çerçevesi (siyah)      |                                    |
| • NRX0035, NRX0050                                 | 9620012874                         |
| • NRX0060  | 9620012875                         |
| • NRX0080  | 9620012880                         |
| • NRX0115  | 9620012879                         |
| • NRX0130  | 9620012883                         |
| Çıkarılabilir dondurucu bölme için raf seçenekleri |                                    |
| • NRX0035, NRX0050                                 | 9620012933                         |
| • NRX0060  | 9620012938                         |
| • NRX0080  | 9620012935                         |
| • NRX0115, NRX0130                                 | 9620012932                         |
| Dondurucu bölümü                                   |                                    |
| • NRX0035, NRX0050                                 | 9620012931                         |
| • NRX0060  | 9620012936                         |
| • NRX0080  | 9620012934                         |
| • NRX0115, NRX0130                                 | 9620012937                         |
| AC/DC Adaptör                                      | 9620013449 (EU)<br>9620013450 (UK) |

## 6 Amacına Uygun Kullanım

Buzdolabı aşağıdakiler için tasarlanmıştır:

- Karavanlara, motorlu karavanlara, teknelere ve kamyonlara montaj
- Gıdaların soğutulması ve saklanması
- **Yalnızca NRX0035-0130(C/S):** Önceden dondurulmuş gıdaların saklanması
- İç mekan kullanımı

Bu buzdolabı ticari, bireysel veya ev tipi uygulamalar için tasarlanmamıştır.

Buzdolabı şunlar için uygun **değildir**:

- İlaçların saklanması
- Aşındırıcı veya solvent içeren maddelerin saklanması
- Gıdaları hızlı dondurma
- Dış mekan kullanımı

Cihaz teknelerde kullanıldığında açık güverteye değil, gündelik oda alanına kurulmalıdır.

Dondurucu bölümü, önceden dondurulmuş yiyecekleri saklamak, dondurma saklamak veya yapmak ve buz küpleri yapmak için uygundur. Önceden dondurulmamış yiyecekleri dondurmak için uygun değildir.

Buzdolabı, bir dolap parçasına veya bir montaj boşluğuna monte edilmek üzere tasarlanmıştır.

Optimum soğutma performansı 16 °C ... 43 °C arasındaki ortam sıcaklıklarında ve maksimum 90 % nemde sağlanır.

Bu ürün sadece amacına ve uygulamaya ve bu talimatlara uygun olarak kullanılmalıdır.

Bu kılavuzda ürünün doğru olarak monte edilmesi ve/veya kullanılması için gerekli bilgiler verilmektedir. Doğru yapılmayan montaj ve/veya yanlış işletim ya da bakım, performansın yetersiz olmasına ve olası bir arızaya neden olabilir.

Üretici, aşağıdaki durumların neden olduğu yaralanmalardan veya ürün hasarlarından sorumlu değildir:

- Aşırı voltaj da dahil olmak üzere hatalı kurulum, montaj veya bağlantı
- Yanlış bakım veya üretici tarafından sağlanan orijinal yedek parçalardan başka yedek parçalar kullanılması
- Üreticisinden açıkça izin almadan cihazda değişiklikler yapılması
- Bu kılavuzda tanımlananların dışında amaçlar için kullanıldığında

Dometic ürünün görünümünde ve ürün özelliklerinde değişiklik yapma hakkını saklı tutar.

## 7 Teknik açıklama

Buzdolabı kompresörlü bir buzdolabıdır.

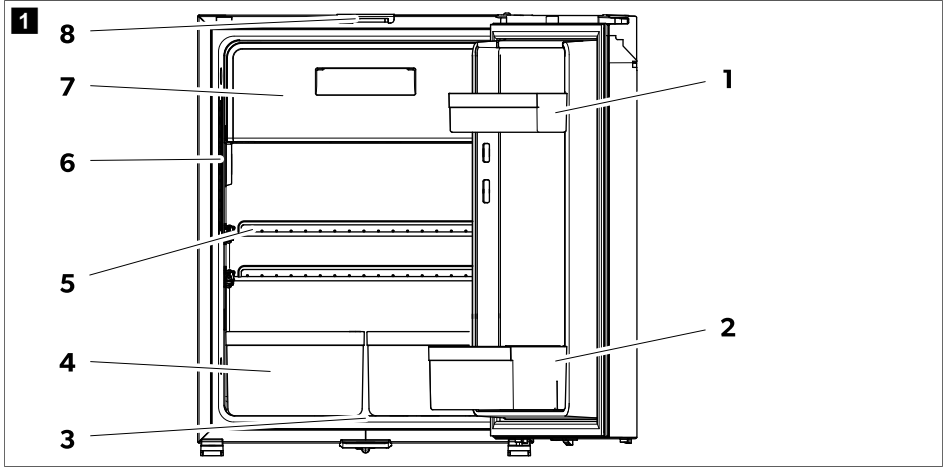
Buzdolabı farklı güç türleriyle çalışacak şekilde tasarlanmıştır ve DC ya da AC besleme ile çalıştırılabilir.

NRX0035-0130(C/S): Model, fabrikada takılmış, çıkarılabilen ve yeniden takılabilen dondurucu bölme sahiptir.

Buzdolabı kapağı, taşıma sırasında onu korumak için bir mandal mekanizmasına sahiptir.

Buzdolabında kullanılan tüm malzemeler gıda maddeleri ile kullanıma uygundur.

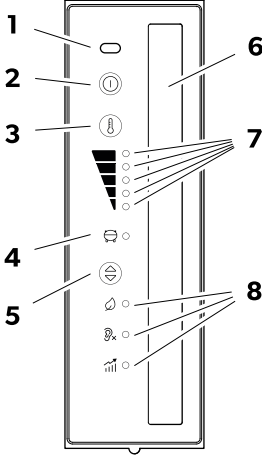
## Cihaz açıklaması



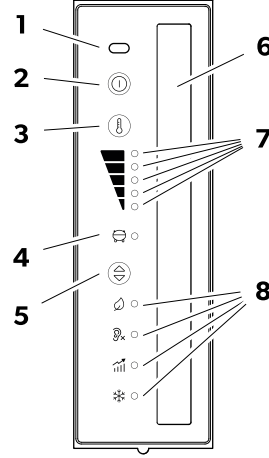
| No. | Açıklama   |
|-----|--|
| 1   | Kapak rafı (yalnızca NRX0035-0130[C/S], NRX0080-0130[E]) |
| 2   | Şişe rafı  |
| 3   | Yoğuşma tahliyesi  |
| 4   | Sebzelik (yalnızca NRX0035-0130[C/S])                    |
| 5   | Dolap rafı   |
| 6   | Ekranlı kontrol paneli                                   |
| 7   | Dondurucu bölmesi (yalnızca NRX0035 - 0130[C/S])         |
| 8   | Havalandırma için kapak mandalı                          |

## Kontrol ve gösterge öğeleri

## NRX0035 – 0130 (E)



## NRX0035 – 0130 (C/S)



| No. | Açıklama   |
|-----|--|
| 1   | IR kapak açıklığı sensörü  |
| 2   | ⏻ AÇMA/KAPATMA düğmesi   |
| 3   | 🌀 Soğutma seviyesi ayar düğmesi  |
| 4   | Kompresör ve hata gösterge LED'i   |
| 5   | 🌀 Çalışma modu düğmesi   |
| 6   | İç aydınlatma  |
| 7   | Soğutma seviyesi gösterge LED'leri   |
|     | <ul style="list-style-type: none"> <li>Soğutma seviyesi 5</li> <li>Soğutma seviyesi 4</li> <li>Soğutma seviyesi 3</li> <li>Soğutma seviyesi 2</li> <li>Soğutma seviyesi 1</li> </ul> |
| 8   | Çalışma modu gösterge LED'leri   |

## Kompresör ve hata gösterge LED'i





Kompresör ve hata gösterge LED'i, kompresörün çalışma durumunu veya bir hatayı gösterir:

| Color                   | Adı  |
|-------------------------|--|
| Beyaz                   | Kompresör çalışıyor                          |
| Turuncu                 | Kompresör kapalı                             |
| Turuncu (yanıp sönüyor) | Hata (bkz. Hata göstergesi sayfa 457 bölümü) |



## Çalışma modu gösterge LED'leri

Çalışma modu gösterge LED'leri aşağıdaki ayar seçeneklerini görüntüler:

| Sembol  | Adı  |
|---|--|
|  | EKO modu:<br>Azaltılmış enerji tüketimi ile çalışma.<br>Soğutma seviyesi 1 – 3   |
|  | SESSİZ mod:<br>Azaltılmış gürültü seviyesi ile çalışma.<br>Soğutma seviyesi 1 – 4  |
|  | PERFORMANS modu:<br>Soğutma seviyesi 1 – 5   |
|  | DONDURUCU modu (yalnızca NRX0035-0130[C/S]):<br>Dondurucu bölme çıkarılmış halde çalıştırma. Buzdolabının iç kısmının tamamını –6 °C dereceye kadar soğutur. |

## 8 Kullanım

### 8.1 İlk kullanım öncesi

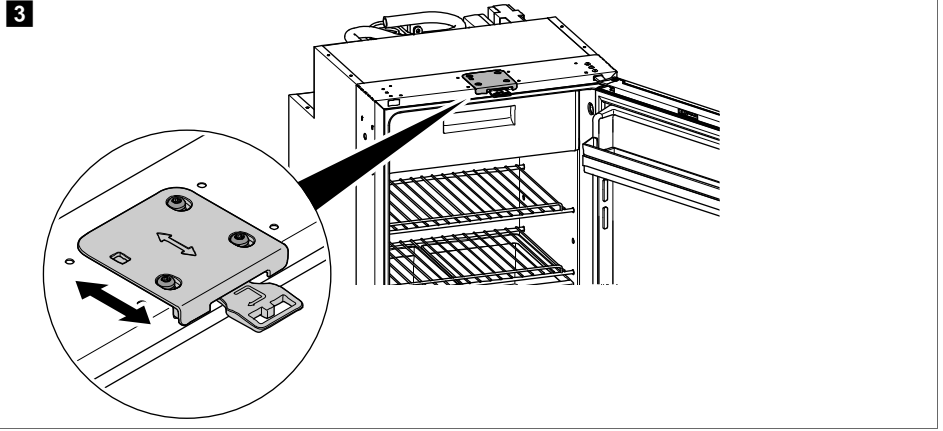


#### NOT

- > Buzdolabını ilk kez çalıştırdığınızda ilk 4 saat buzdolabında yiyecek veya içecek saklamayın.
- > Buzdolabını ilk kez kullanırken birkaç saat sonra kaybolan hafif bir koku olabilir. Yaşam alanını iyi bir şekilde havalandırın.
- > Soğutma kapasitesi şunlardan etkilenebilir:
  - Ortam sıcaklığı (örneğin araç doğrudan güneş ışığına maruz kaldığında)
  - Soğutulacak gıda miktarı
  - Kapağın açılma sıklığı
- > Hijyenik nedenlerle buzdolabının içini temizleyin (bkz. Temizlik ve bakım sayfa 451).
- > Özellikle yola çıkmadan önce buzdolabını doldururken ve çalıştırırken aracı düz bir şekilde park edin.

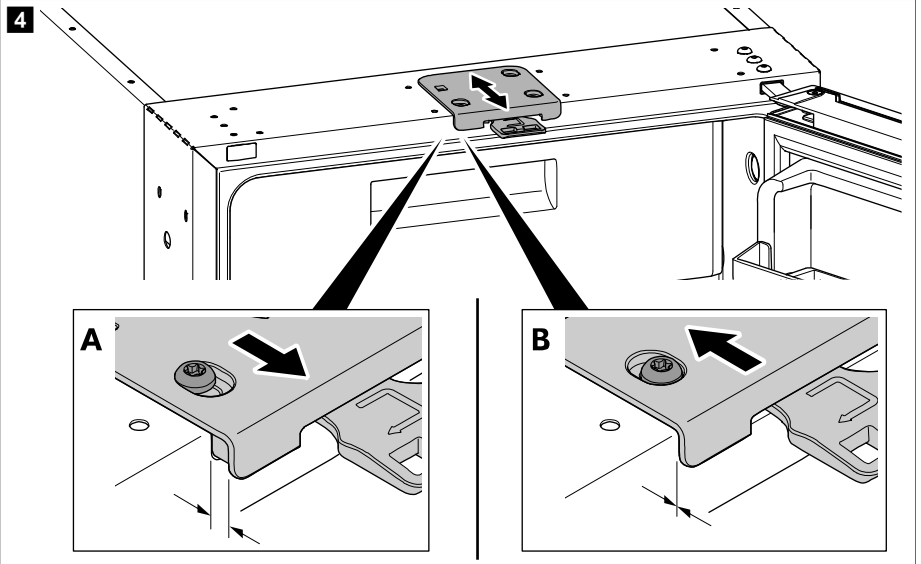
#### 8.1.1 Kapak mandalının ayarlanması

Buzdolabının üstündeki kapak mandalı, kapağın kapanma genişliğini düzenlemek üzere ayarlanabilir.



**i** **NOT** Ayarlanabilir kapak mandalının monte edilip edilmediğini kontrol edin. Gerekirse ayarlanabilir kapak mandalını (dometic.com) sipariş edin ve sabit kapak mandalını ayarlanabilir kapak mandalıyla değiştirin.

> Kapak mandalı varsayılan olarak **A** konumundadır. Kapak mandalını **B** konumuna getirin.



**i** **NOT** Kapak mandalı **B** konumdaysa kapatırken kapağın düzgün şekilde oturduğundan emin olun (bkz. Buzdolabı kapağının kapatılması ve güvence altına alınması sayfa 446 bölümü).

## 8.2 Gıdaların saklanması hakkında bilgi



### DİKKAT! Sağlık için tehlike

Buzdolabı, 10 °C altındaki ortam sıcaklığına uzun süre maruz kalırsa, dondurucu bölme sıcaklığının düzenlenmesi artık garanti edilemez. Bu, dondurucu bölümünün sıcaklığının artmasına ve saklanan ürünlerin buzunun çözülmesine neden olabilir.

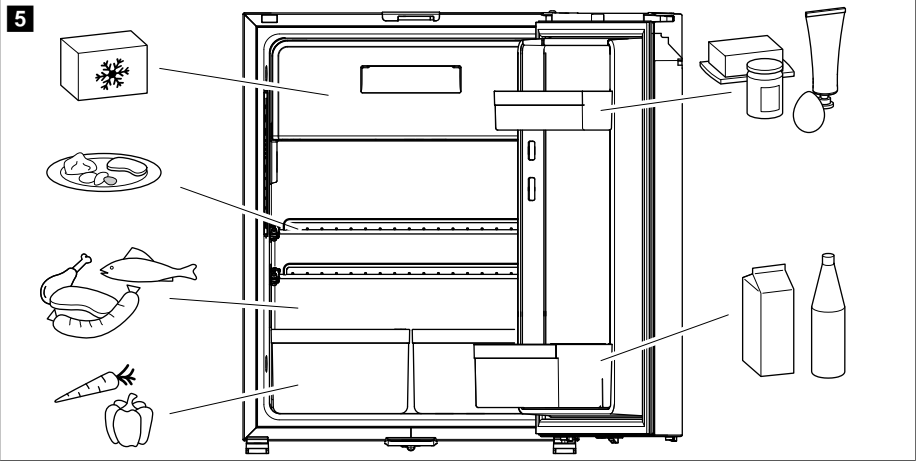


### İKAZ! Hasar tehlikesi

- > Buzdolabını doldururken kapak rafı ve kapak başına maksimum yüke uyun (bkz. Teknik Bilgiler sayfa 457).
- > Gazlı içecekleri dondurucu bölümünde saklamayın.

Yiyecek atığı oluşmaması için dikkat edilmesi gerekenler:

- Sıcaklık dalgalanmasını mümkün olduğu kadar düşük tutun. Buzdolabını sadece gerekli olduğu süre kadar açın. Yiyecekleri havanın halen iyi dolaşabileceği bir şekilde depolayın.
- Sıcaklığı yiyeceklerin miktarına ve tipine göre ayarlayın.
- Farklı gıda maddelerini şekillerde gösterildiği gibi saklayın.
- Gıda maddeleri, koku ve tadı kolayca emebilir ve salabilir. Gıda maddelerini her zaman üstü kapalı veya kapalı kaplarda/şişelerde saklayın.
- > Gıdaları gösterildiği gibi saklayın.



## 8.3 Enerji tasarrufu

- Buzdolabını sadece gerekli olduğu süre kadar açın.
- Sıcak yiyecekleri soğutmak için cihaza bırakmadan önce, soğumalarını bekleyin.
- Bir buz tabakası oluşur oluşmaz buzdolabınızın buzunu çözünüz.
- Gereksiz yere düşük sıcaklıklar ayarlamayın.
- Optimum bir enerji tüketimi için, rafları ve çekmeceleri teslimat durumlarına göre konumlandırın.
- Kapak contasının yerine tam oturduğunu düzenli olarak kontrol edin.
- Kondansatörü düzenli aralıklarla tozlardan ve pisliklerden temizleyin.

## 8.4 Buzdolabı kapağının kullanımı



### **DİKKAT! Yaralanma riski**

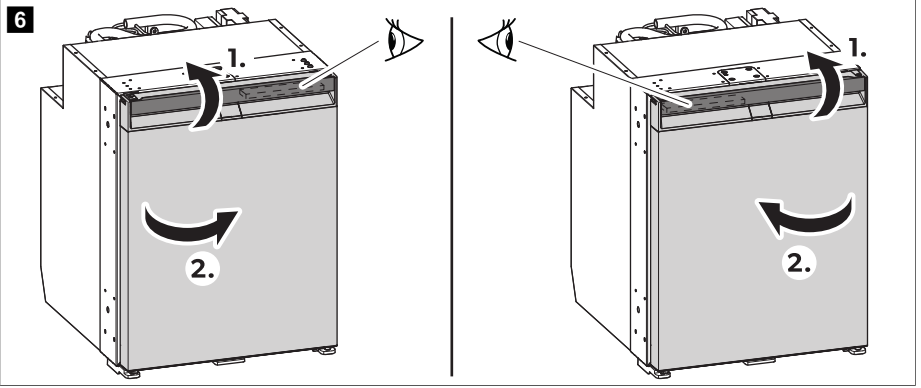
Buzdolabı kapağı veya dondurucu bölme kapağı, yanlış kullanıldığında cihazdan tamamen ayrılabilir.

### 8.4.1 Buzdolabı kapağının açılması



**NOT** Kapak durdurucusunun karşı tarafındaki kolu çektiğinizden emin olun. Sürgünün ilgili konumuna dikkat edin. İlgili montaj kılavuzuna bakın.

> Buzdolabı kapağını açmak için gösterildiği gibi ilerleyin.



### 8.4.2 Buzdolabı kapağının kapatılması ve güvence altına alınması



### **DİKKAT! Yaralanma riski**

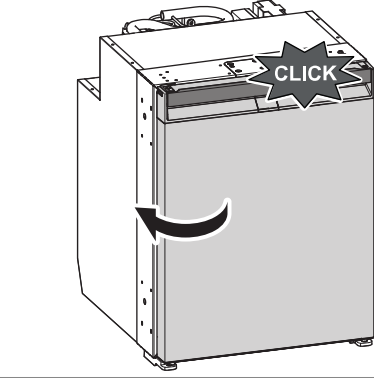
Kapak doğru şekilde sabitlenmemişse, yerine sabitlenene kadar kapağı üstünden ve altından dikkatlice itin.



**NOT** Buzdolabı kapağında, taşıma sırasında da koruması için bir mandal mekanizması vardır.

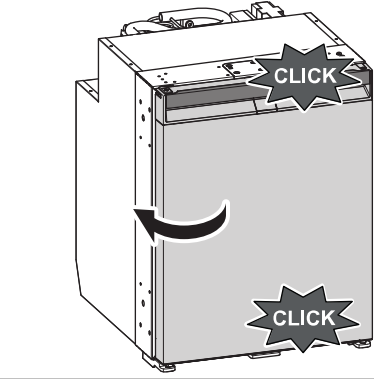
- > NRX0035-0130(E): Üstten net bir tık sesi duyana kadar kapağı bastırın.

### 7 NRX0035 – 0130 (E)



- > NRX0035-0130(C/S): Üstten ve alttan net bir tık sesi duyana kadar kapağı bastırın.

### 8 NRX0035 – 0130 (C/S)

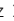



- ✓ Kapak artık kapanmış ve güvence altına alınmıştır.

## 8.5 Açma ve kapama



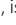
**NOT** Uzun süre kullanılmıyacaksa buzdolabını her zaman kapatın.

- > Açmak için  düğmesini en az 2 s basılı tutun.
- > Buzdolabı en son seçilen soğutma seviyesi ayarı ve çalışma modu ile açılır.
- > Kapatmak için  düğmesini en az 2 s basılı tutun.

## 8.6 Çalışma modlarının ayarlanması



**NOT** EKO, PERFORMANS veya DONDURUCU modu kullanılırken sistem, başka bir değişiklik yapılmaya kadar bu modda kalır.

- > Çalışma modunu ayarlarken, istenen çalışma modu gösterge LED'i yanana kadar  düğmesine art arda basın. Aşağıdaki çalışma modları mevcuttur:

### EKO modu kullanımı

EKO modu etkinleştirildiğinde, buzdolabı 1 – 3 soğutma seviyelerinde daha düşük enerji tüketimi ile çalışır.

- ✓ EKO mod () için çalışma modu gösterge LED'i ve seçilen soğutma seviyesi gösterge LED'i yanar.

### SESSİZ mod kullanımı

SESSİZ mod etkinleştirildiğinde buzdolabı 1 – 4 soğutma seviyelerinde azaltılmış gürültü seviyesiyle çalışır.



**NOT**

- > Buzdolabı DONDURUCU modda çalışıyorsa SESSİZ mod kullanılamaz.
- > SESSİZ mod kullanıldığında buzdolabı 8 h boyunca bu modda çalışır ve daha sonra önceden seçilen moda (EKO veya PERFORMANS modu) geri döner.

- ✓ SESSİZ mod () için çalışma modu gösterge LED'i ve seçilen soğutma seviyesi gösterge LED'i yanar.

### PERFORMANS modu kullanımı

PERFORMANS modu etkinleştirildiğinde buzdolabı 1 – 5 soğutma seviyelerinde standart modda çalışır.

- ✓ PERFORMANS modu () için çalışma modu gösterge LED'i ve seçilen soğutma seviyesi gösterge LED'i yanar.

### DONDURUCU modu kullanımı


DONDURUCU modu etkinleştirildiğinde buzdolabının tüm iç kısmı  $-6^{\circ}\text{C}$  değerine kadar soğutulur.



**NOT** DONDURUCU modunu kullanmak için dondurucu bölmesini çıkartın.

- ✓ DONDURUCU modu () için çalışma modu gösterge LED'i ve tüm soğutma seviyesi gösterge LED'leri sürekli yanar.

## 8.7 Soğutma seviyesinin ayarlanması

- > Soğutma seviyesini ayarlamak için istenen soğutma seviyesine ulaşılan kadar  düğmesine art arda basın.

## 8.8 Rafaları yeniden konumlandırma



**UYARI! Çocuklar için sıkışma tehlikesi**

NRX0060-0130: Çocukların buzdolabına tırmanmasını önlemek için tüm raflar yerlerine sabitlenmiştir.

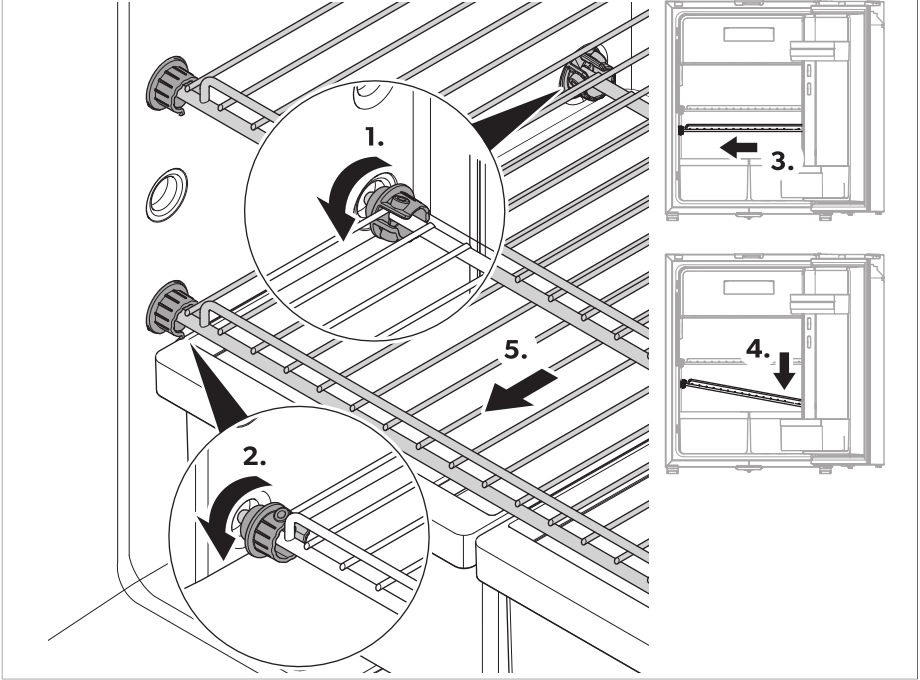
- > Rafları yalnızca temizlik amacıyla sökün.
- > Rafları yeniden takın ve yerlerine sabitleyin.



**NOT** Arka raf düğmelerine daha kolay erişim için rafları yeniden konumlandırmadan önce dondurucu bölmesini çıkarın.

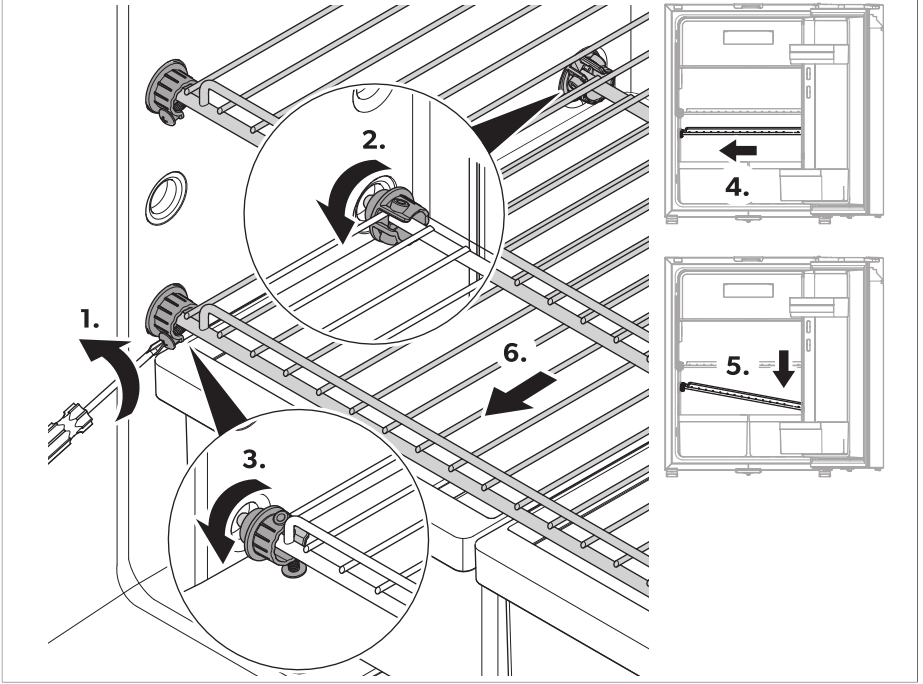
- > **NRX0035-0050:** Rafları istediğiniz gibi yeniden konumlandırmak için gösterildiği gibi ilerleyin.

## 9 NRX0035 – 0050



- > **NRX0035-0050:** Rafları istediğiniz gibi yeniden konumlandırmak için gösterildiği gibi ilerleyin.

## 10 NRX0060 – 0130



### 8.9 Dondurucu bölmesinin çıkarılması

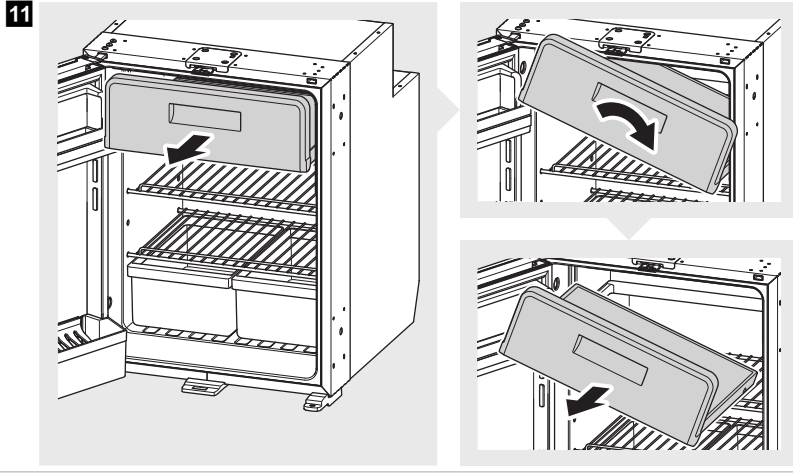


#### İKAZ! Hasar tehlikesi

- > Dondurucu bölmesini çıkarmak için dondurucu bölmesinin kapağını kapatın.
- > Dondurucu bölmesini alt tarafından tutun. Dondurucu bölmesinin kapağından çekmeyin.
- > Dondurucu bölmesini kuru ve güvenli bir yerde saklayın.

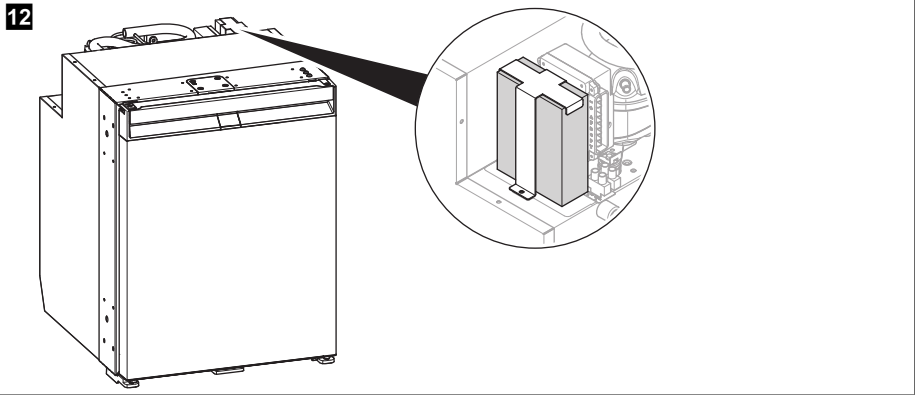


- > Dondurucu bölmesini çıkarmak için gösterildiği gibi ilerleyin.



## 8.10 AC/DC adaptörünün monte edilmesi

- > AC/DC adaptörü (aksesuarlar) monte etmek için gösterildiği gibi ilerleyin.



## 9 Temizlik ve bakım



### UYARI! Elektrik çarpması tehlikesi

Temizlik ve bakımdan önce buzdolabının enerji bağlantısını mutlaka bağlantısından ayırın.



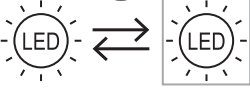
### İKAZ! Hasar tehlikesi

- > Temizlik sırasında aşındırıcı temizlik maddeleri veya sert nesnelere kullanmayın.
- > Buzu veya donmuş nesnelere çıkarmak için asla sert veya keskin aletler kullanmayın.
- > Contalara su damlamadığından emin olun. Bu elektronik parçalara zarar verebilir.



**İKAZ! Hasar tehlikesi**

Işık kaynağı, tehlikeyi önlemek için yalnızca üretici, servis elemanı veya benzer kalifiye bir kişi tarafından değiştirilebilir.



- > Cihazın içini ve dışını düzenli olarak ve kirlenir kirlenmez nemli bir bezle temizleyin. Buzdolabını temizledikten sonra bir bezle kurulayın.
- > Yoğuşma suyu tahliyesini düzenli olarak kontrol edin.  
Yoğuşma suyu tahliyesini gerektiğinde temizleyin. Tıkalı olduğunda yoğuşma suyu, buzdolabının altında birikir.
- > Kondenserdeki toz ve kiri düzenli olarak nemli bir bezle temizleyin.

**Soğutucu akışkan devresi**

Soğutucu akışkan devresi için bakım gerekmez.

**Buzdolabının buzunun çözdürülmesi**



**İKAZ! Hasar tehlikesi**

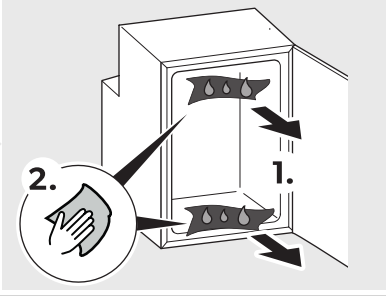
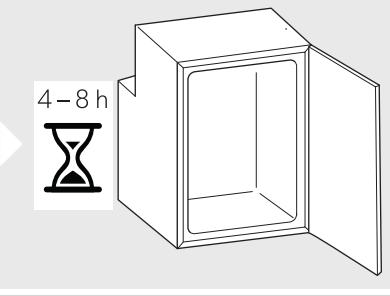
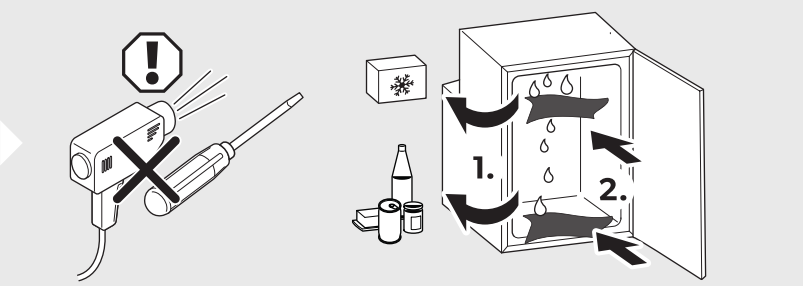
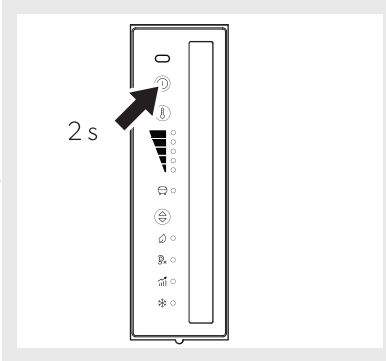
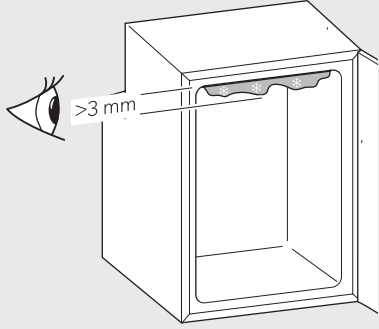
Buz çözme işlemini hızlandırmak için mekanik veya başka aletler kullanmayın.



**NOT** Zamanla, buzdolabının içindeki arka duvarda buzlanma oluşur. Bu buz tabakası yaklaşık 3 mm kalınlığında ise buzdolabının buzunu çözdürün.

> Buzdolabının buzunu çözdürmek için gösterildiği gibi ilerleyin.

13



### Buzdolabı kapağının saklama konumuna getirilmesi



#### **DİKKAT! Yaralanma riski**

Sürüş esnasında saklama konumu kullanılamaz.

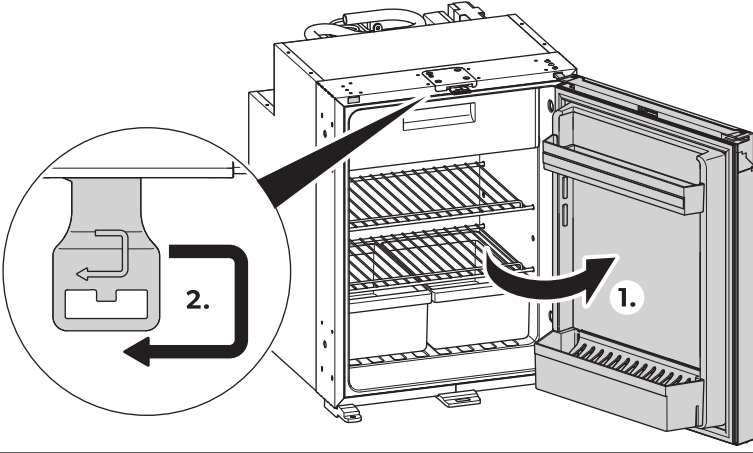


**NOT** Cihazı uzun süre kullanmayacaksanız buzdolabı kapağını saklama konumuna getirin. Bu, küf oluşumunu engeller.

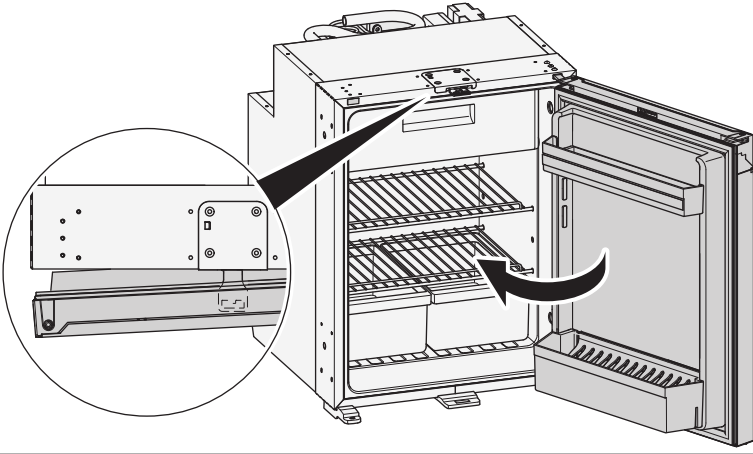
> Buzdolabının buzunu çözdürün (bkz. Buzdolabının buzunun çözdürülmesi sayfa 452).

> Buzdolabı kapağını gösterildiği gibi saklama konumuna getirin.

14



15

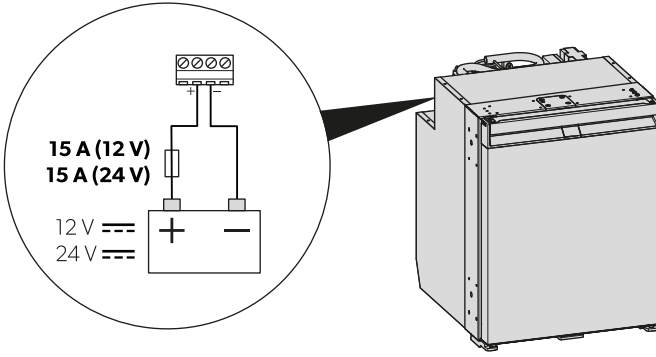


## 10 Arızaların Giderilmesi



**NOT** Sürüş sırasında karavandaki 12 V tüketici üniteleri güvenli bir şekilde çalıştırmak için çekici aracı yeterli gerilim sağladığından emin olun. Bazı araçlarda, akü yönetim sistemi aküyü korumak için tüketici birimlerini otomatik olarak kapatabilir. Daha fazla bilgi için araç üreticinize danışın.

16



| Sorun  | Neden  | Çare  |
|--|--|---|
| Buzdolabı çalışmıyor.  | DC kablodaki sigorta arızalı.  | > Sigortayı değiştirin (  şekil 16 sayfa 455).   |
|  | Aracın sigortası attı.   | > Araç sigortasını değiştirin.<br>Aracınızın kullanım kılavuzuna bakın.   |
|  | Araç aküsü boşalmış.   | > Aküyü test edin ve şarj edin.   |
|  | Kontak açık değil.   | > Kontakçı açın.  |
|  | Kompresördeki sıcaklık çok düşük (< 0 °C).   | > Tüm dış havalandırma ızgaralarını tamamen yalıtım malzemesi ile kapatın/örtün.  |
|  | Gerilim yetersiz ise buzdolabı otomatik olarak kapanır.<br>(Kapanma gerilimi: 10,4 V $\Rightarrow$ ) | > Aküyü şarj edin. Buzdolabı otomatik olarak yeniden çalışmaya başlayacaktır.<br>(Çalışmaya başlama gerilimi: 11,7 V $\Rightarrow$ )  |
| Yetersiz soğutma, iç sıcaklıkta artış.<br>Kompresör sürekli çalışır. | Soğutma ünitesi etrafındaki havalandırma yeterli değil.  | > Havalandırma ızgarasının tıkalı olmadığını kontrol edin.<br>> Soğutma cihazını başka bir yere taşıyın.  |
|  | İç duvarlar buzlu.   | > Buzdolabı kapağının düzgün kapanıp kapanmadığını kontrol edin.<br>> Buzdolabı contasının doğru bir şekilde oturduğundan ve hasar görmediğinden emin olun.<br>> Buzdolabının buzunu çöz dürün (bkz. Buzdolabının buzunun çöz dürülmesi sayfa 452). |
|  | Sıcaklık çok yüksek ayarlanmış.  | > Daha düşük bir sıcaklık ayarlayın.  |
|  | Ortam sıcaklığı çok yüksek.  | > Sıcak havanın daha hızlı dışarı çıkabilmesi için havalandırma ızgarasını bir süreliğine çıkarın.  |
|  | Buzdolabına aynı anda çok fazla gıda konulmuş.   | > Gıdaların bir kısmını çıkarın.  |

| Sorun   | Neden   | Çare  |
|---|---|---|
|   | Buzdolabına aynı anda çok fazla sıcak yemek konulmuş.   | > Sıcak yiyeceği çıkarın ve tekrar koymadan önce soğumasını bekleyin. |
|   | Buzdolabı çok uzun süredir çalışmıyor.  | > Sıcaklığı 4 h / 5 h sonra tekrar kontrol edin.                      |
|   | Kondenser kirlil.   | > Kondenseri temizleyin (bkz. Temizlik ve bakım sayfa 451 bölümü).    |
|   | Fan arızalı.  | > Yetkili servis personeliyle iletişime geçin.                        |
| Yetersiz soğutma, iç sıcaklıkta artış.<br>Kompresör sık sık çalışmıyor.                 | Akü kapasitesi azalmış.   | > Aküyü şarj edin.  |
| Yetersiz soğutma, iç sıcaklıkta artış.<br>Kompresör çalışmıyor (akü bağlantısı).        | Akü elektronik bağlantısında kesinti var.   | > Bir bağlantı kurun.   |
|   | Ana şalter arızalı (eğer takılmışsa).   | > Ana şalteri değiştirin.   |
|   | Ek besleme hattı sigortası atmış (eğer takılmışsa).   | > Besleme hattının sigortasını değiştirin.                            |
|   | Akü gerilimi çok düşük.   | > Aküyü şarj edin.  |
|   | Akü kapasitesi çok düşük.   | > Aküyü değiştirin.   |
|   | Kablolar gevsek.<br>Temas zayıf (korozyon).   | > Bir bağlantı kurun.   |
|   | Kablo kesiti çok küçük.   | > Kabloyu değiştirin.   |
|   | Kompresör arızalı.  | > Yetkili servis personeliyle iletişime geçin.                        |
| Yetersiz soğutma, iç sıcaklıkta artış.<br>Kompresör çalışmıyor (AC beslemeye bağlantı). | Besleme hattı bağlantısı kesilmiş.  | > Bir bağlantı kurun.   |
|   | Ana şalter arızalı (eğer takılmışsa).   | > Ana şalteri değiştirin.   |
|   | Ek besleme hattı sigortası atmış (eğer takılmışsa).   | > Besleme hattının sigortasını değiştirin.                            |
|   | Kompresör arızalı.  | > Yetkili servis personeliyle iletişime geçin.                        |
| Olağan dışı sesler.   | Soğutucu akışkan devresinin bir bileşeni serbestçe hareket edemiyor (duvara temas).                                       | > Bileşeni dikkatlice engelden uzağa doğru bükün.                     |
|   | Soğutma ünitesi ile duvar arasına yabancı bir nesne sıkışmıştır.  | > Yabancı nesneyi çıkartın.   |
|   | Fan gürültüsü.  | > Yetkili servis personeliyle iletişime geçin.                        |
| Hareket halindeyken kapak kendi kendine açılıyor (ör. sürüş sırasında).                 | Kapak mandalı <b>A</b> konumunda (bkz. Kapak mandalının ayarlanması sayfa 443 bölümü).                                    | > Kapak mandalını <b>B</b> konumuna getirin.                          |
| Kapak düzgün kapanmıyor.  | Kapak mandalı <b>A</b> konumunda (bkz. Kapak mandalının ayarlanması sayfa 443 bölümü).                                    | > Kapak mandalını <b>B</b> konumuna getirin.                          |
|   | Kapak mandalı <b>B</b> konumunda (bkz. Kapak mandalının ayarlanması sayfa 443 bölümü) ama kapak düzgün şekilde oturmüyor. | > Kapatırken kapağın düzgün şekilde oturduğundan emin olun.           |

## Hata göstergesi



### NOT

- > Tüm hatalar, hata göstergesi LED'inin turuncu renkte yanıp sönmesi ile gösterilir (bkz. Kontrol ve gösterge öğeleri sayfa 442). Yanıp sönme sayısı arızanın türüne bağlıdır. Her yanıp sönme saniyenin dörtte biri kadar sürer. Yanıp sönme dizisinin ardından bir duraklama gelir. Arıza türü için sıralama her dört saniyede bir tekrarlanır.
- > EKO, PERFORMANS ve DONDURUCU modlarında ek bir bip sesi duyulur.

| Yanıp sönme frekansı | Hata                               | Olası nedeni   |
|----------------------|------------------------------------|--|
| 1                    | Düşük veya aşırı gerilim           | Besleme gerilimi ayarlanan aralığın dışında.   |
| 2                    | Aşırı fan akımı                    | Elektronik ünite üzerindeki fanın yükü 1 A değerinden fazladır.  |
| 3                    | Motor çalışmıyor                   | Rotor sıkışmış.<br>Soğutma sistemindeki basınç farkı çok yüksek.   |
| 4                    | Hız çok düşük                      | Soğutma sistemi aşırı yüklenirse motorun minimum hızı korunmaz.  |
| 5                    | Elektronik ünitenin aşırı ısınması | Soğutma sistemi çok fazla yüklenirse veya sıcaklık çok yüksek ayarlanırsa, elektronik parçalar aşırı ısınabilir. |
| Sürekli              | Sıcaklık sensörü hataları          | Sıcaklık sensörü arızalı.  |

## 11 Garanti

Yasal garanti süresi geçerlidir. Üründe hasar varsa üreticinin ülkenizdeki şubesi (bkz. [dometic.com/dealer](http://dometic.com/dealer)) veya satıcınızla iletişime geçin.

Onarım ve garanti işlemleri için cihazı aşağıdaki dokümanlarla birlikte gönderin:

- Satın alma tarihini içeren faturanın bir kopyası
- Talebinizin nedeni veya hatanın açıklanması

Kendi kendine onarımın veya profesyonel olmayan onarımın güvenlikle ilgili sonuçları olabileceğini ve garantiyi geçersiz kılabileceğini unutmayın.

## 12 Atık İmhası



### İKAZ! Hasar tehlikesi

Soğutma cihazının yalıtımı tutuşabilen siklopentan içerir ve özel atık bertaraf prosedürleri gerektirir. Kullanım ömrünü tamamlayan soğutma cihazı uygun bir geri dönüşüm merkezine verilmelidir.



Ambalaj malzemesini mümkünse ilgili geri dönüşüm atık sistemine kazandırın. Ürünün yürürlükteki imha yönetmeliklerine göre nasıl imha edileceğine ilişkin ayrıntılar için yerel bir geri dönüşüm merkezine veya uzman satıcıya danışın. Avrupa: Ürün ücretsiz olarak imha edilebilir.

## 13 Teknik Bilgiler

Cihazınızın güncel AB uygunluk beyanı için lütfen [dometic.com](http://dometic.com) adresindeki ilgili ürün sayfasına bakın veya doğrudan üretici ile iletişime geçin (bkz. [dometic.com/dealer](http://dometic.com/dealer)).

**TR NRX35-130**

Bu cihaz UN ECE Yönetmeliği R10 ile uyumludur.

|   | <b>NRX0035(E/C/S)</b>  | <b>NRX0050(E/C/S)</b>    | <b>NRX0060(E/C/S)</b>    |
|---|--|--------------------------|--------------------------|
| Gaz Miktarı   |  |                          |                          |
| • Buzdolabı bölümü (yalnızca NRX0035-0130[C/S])     | 27,3 L   | 39,6 L                   | 48,9 L                   |
| • Dondurucu bölümü (yalnızca NRX0035-0130[C/S])     | 4,4 L  | 4,4 L                    | 6,1 L                    |
| • Toplam kapasite                                   | 32 L   | 44 L                     | 55 L                     |
| • Toplam kapasite (dondurucu bölümü çıkarıldığında) | 34 L   | 46 L                     | 58 L                     |
| Bağlantı gerilimi                                   |  | 12 / 24 V==              |                          |
| Besleme aküsü koruması (12 V)                       |  |                          |                          |
| • Kapanma gerilimi                                  |  | 10,4 V                   |                          |
| • Çalışmaya başlama gerilimi                        |  | 11,7 V                   |                          |
| Besleme aküsü koruması (24 V)                       |  |                          |                          |
| • Kapanma gerilimi                                  |  | 22,8 V                   |                          |
| • Çalışmaya başlama gerilimi                        |  | 24,2 V                   |                          |
| İklim sınıfı  |  | T                        |                          |
| Depolama sıcaklığı aralığı:                         |  |                          |                          |
| • Buzdolabı   |  | 0 °C ... 12 °C           |                          |
| • Dondurucu bölümü (yalnızca NRX0035-0130[C/S])     |  | -15 °C ... -5 °C         |                          |
| • Dondurucu modu (yalnızca NRX0035-0130[C/S])       |  | -6 °C                    |                          |
| Kullanım sırasında öngörülen ortam sıcaklığı        |  | 16 °C ... 43 °C          |                          |
| Soğutucu madde                                      |  | R134a                    |                          |
| Soğutucu akışkan miktarı                            | 24 g   | 26 g                     | 30 g                     |
| CO2 eşdeğeri  | 0,034 t  | 0,037 t                  | 0,043 t                  |
| Küresel ısınma potansiyeli (GWP)                    |  | 1430                     |                          |
| Gürültü emisyonu (EN 60704)                         |  | 40 ... 45 dB(A)          |                          |
| Boyutlar Y x G x D                                  | 525 x 380 x 355 mm<br>(kompresör ve boşluk ara parçası olmadan)<br>525 mm x 380 mm x 480 mm<br>(kompresör ve boşluk ara parça ile) | 525 mm x 380 mm x 510 mm | 525 mm x 448 mm x 537 mm |



|                     | NRX0035(E/C/S)            | NRX0050(E/C/S)            | NRX0060(E/C/S)          |
|---------------------|---------------------------|---------------------------|-------------------------|
| Net ağırlık         | E: 13,5 kg<br>C, S: 16 kg | E: 14,5 kg<br>C, S: 17 kg | E: 16 kg<br>C, S: 17 kg |
| Maksimum yük        |                           |                           |                         |
| • Kapak rafı başına | 4 kg                      | 4 kg                      | 5 kg                    |
| • Kapak başına      | E: 4 kg<br>C/S: 8 kg      | E: 4 kg<br>C/S: 8 kg      | E: 5 kg<br>C/S: 10 kg   |

|  | NRX0080(E/C/S)          | NRX0115(E/C/S)   | NRX0130(E/C/S) |
|--|-------------------------|------------------|----------------|
| Gaz Miktarı  |                         |                  |                |
| • Buzdolabı bölmesi (yalnızca NRX0035 – 0130[C/S])   | 68,4 L                  | 104,5 L          | 118 L          |
| • Dondurucu bölmesi (yalnızca NRX0035 – 0130[C/S])   | 6,6 L                   | 8,2 L            | 8,2 L          |
| • Toplam kapasite                                    | 75 L                    | 113 L            | 126 L          |
| • Toplam kapasite (dondurucu bölmesi çıkarıldığında) | 78 L                    | 116 L            | 130 L          |
| Bağlantı gerilimi                                    | 12 / 24 V <sup>==</sup> |                  |                |
| Besleme aküsü koruması (12 V)                        |                         |                  |                |
| • Kapanma gerilimi                                   |                         | 10,4 V           |                |
| • Çalışmaya başlama gerilimi                         |                         | 11,7 V           |                |
| Besleme aküsü koruması (24 V)                        |                         |                  |                |
| • Kapanma gerilimi                                   |                         | 22,8 V           |                |
| • Çalışmaya başlama gerilimi                         |                         | 24,2 V           |                |
| İklim sınıfı   | T                       |                  |                |
| Depolama sıcaklığı aralığı                           |                         |                  |                |
| • Buzdolabı  |                         | 0 °C ... 12 °C   |                |
| • Dondurucu bölmesi (yalnızca NRX0035–0130[C/S])     |                         | -15 °C ... -5 °C |                |
| • Dondurucu modu (yalnızca NRX0035–0130C/S)          |                         | -6 °C            |                |
| Kullanım sırasında öngörülen ortam sıcaklığı         |                         | 16 °C ... 43 °C  |                |
| Soğutucu madde                                       | R134a                   |                  |                |
| Soğutucu akışkan miktarı                             | 32 g                    | 40 g             | 40 g           |
| CO2 eşdeğeri   | 0,046 t                 | 0,057 t          | 0,057 t        |
| Küresel ısınma potansiyeli (GWP)                     | 1430                    |                  |                |

|                             | NRX0080(E/C/S)          | NRX0115(E/C/S)          | NRX0130(E/C/S)          |
|-----------------------------|-------------------------|-------------------------|-------------------------|
| Gürültü emisyonu (EN 60704) | 40 ... 45 dB(A)         |                         |                         |
| Boyutlar Y x G x D          | 625 x 475 x 537 mm      | 745 x 525 x 568 mm      | 812 x 525 x 568 mm      |
| Net ağırlık                 | C, S: 20 kg<br>E: 18 kg | C, S: 26 kg<br>E: 24 kg | C, S: 27 kg<br>E: 25 kg |
| Maksimum yük                |                         |                         |                         |
| • Kapak rafı başına         | 5 kg                    | 6 kg                    | 6 kg                    |
| • Kapak başına              | 10 kg                   | E: 12 kg<br>C/S: 18 kg  | E: 12 kg<br>C/S: 18 kg  |

## 14 Teknik Bilgiler

Cihazınızın güncel AB uygunluk beyanı için lütfen dometic.com adresindeki ilgili ürün sayfasına bakın veya doğrudan üretici ile iletişime geçin (bkz. [dometic.com/dealer](http://dometic.com/dealer)).

Bu cihaz UN ECE Yönetmeliği R10 ile uyumludur.

|  | NRX0090V                |
|--|-------------------------|
| Gaz Miktarı  |                         |
| • Buzdolabı bölmesi                                  | 79 L                    |
| • Dondurucu bölmesi                                  | 8,4 L                   |
| • Toplam kapasite                                    | 87 L                    |
| • Toplam kapasite (dondurucu bölmesi çıkarıldığında) | 92 L                    |
| Bağlantı gerilimi                                    | 12 / 24 V <sup>==</sup> |
| Besleme aküsü koruması (12 V)                        |                         |
| • Kapanma gerilimi                                   | 10,4 V                  |
| • Çalışmaya başlama gerilimi                         | 11,7 V                  |
| Besleme aküsü koruması (24 V)                        |                         |
| • Kapanma gerilimi                                   | 22,8 V                  |
| • Çalışmaya başlama gerilimi                         | 24,2 V                  |
| Enerji tüketimi                                      | 0,35 kWh / 24 h         |
| İklim sınıfı   | T                       |
| Depolama sıcaklığı aralığı                           |                         |
| • Buzdolabı  | 0 °C ... 15 °C          |
| • Dondurucu bölmesi                                  | -12 °C ... -5 °C        |
| • Dondurucu modu                                     | -5 °C ± 2 °C            |
| Kullanım sırasında öngörülen ortam sıcaklığı         | 16 °C ... 43 °C         |
| Soğutucu madde                                       | R600a                   |

|                                  | <b>NRX0090V</b>          |
|----------------------------------|--------------------------|
| Soğutucu akışkan miktarı         | 22 g                     |
| CO <sub>2</sub> karşılığı        | 0,000 t                  |
| Küresel ısınma potansiyeli (GWP) | 3                        |
| Gürültü emisyonu (EN60704)       |                          |
| • PERFORMANS modu                | < 40 dB(A)               |
| • SESSİZ mod                     | 37 dB(A)                 |
| Boyutlar Y x G x D               | 821 mm x 486 mm x 480 mm |
| Net ağırlık                      | 22 kg                    |

## Slovenščina

|    |                              |     |
|----|------------------------------|-----|
| 1  | Pomembna obvestila.....      | 462 |
| 2  | Razlaga simbolov.....        | 462 |
| 3  | Varnostni napotki.....       | 463 |
| 4  | Obseg dobave.....            | 465 |
| 5  | Dodatna oprema.....          | 465 |
| 6  | Predvidena uporaba.....      | 467 |
| 7  | Tehnični opis.....           | 467 |
| 8  | Uporaba.....                 | 470 |
| 9  | Čiščenje in vzdrževanje..... | 478 |
| 10 | Odpravljanje težav.....      | 481 |
| 11 | Garancija.....               | 484 |
| 12 | Odstranjevanje.....          | 484 |
| 13 | Tehnični podatki.....        | 485 |
| 14 | Tehnični podatki.....        | 487 |

## 1 Pomembna obvestila

Pozorno preberite in upoštevajte vsa navodila, smernice in opozorila iz tega navodila, da zagotovite pravilno vgradnjo, uporabo in vzdrževanje izdelka. Ta navodila MORATE hraniti skupaj z izdelkom.

Z uporabo izdelka potrjujete, da ste pozorno prebrali vsa navodila, smernice in opozorila ter razumete in upoštevate vsa določila ter pogoje v tem dokumentu. Strinjate se, da boste izdelek uporabljali samo za predvideni namen uporabe in v skladu z navodili, smernicami in opozorili v tem navodilu ter v skladu z vsemi veljavnimi zakoni in predpisi. Če navodil in opozoril v nadaljevanju ne preberete in ne upoštevate, boste morda poškodovali izdelek ali povzročili materialno škodo v bližini. Pridržujemo si pravico do sprememb in posodobitev navodila, vključno z navodili, smernicami in opozorili ter povezano dokumentacijo. Za najnovejšo informacijo o izdelku obiščite [documents.domestic.com](http://documents.domestic.com).

## 2 Razlaga simbolov

Signalna beseda označuje varnostna sporočila in sporočila o materialni škodi ter stopnjo ali raven nevarnosti.



### NEVARNOST!

Označuje nevarno situacijo, ki povzroči smrt ali hude poškodbe, če ni preprečena.



### OPOZORILO!

Označuje nevarno situacijo, ki lahko povzroči smrt ali hude poškodbe, če ni preprečena.



### POZOR!

Označuje nevarno situacijo, ki lahko povzroči lažje ali zmerne poškodbe, če ni preprečena.



### OBVESTILO!

Označuje nevarno situacijo, ki lahko povzroči materialno škodo, če ni preprečena.



**NASVET** Dodatne informacije za upravljanje izdelka.

## 3 Varnostni napotki

### Osnovna varnost



#### OPOZORILO! Nevarnost električnega udara

- > Vgradnjo in odstranitev hladilnika sme opraviti samo ustrezno usposobljeno osebje.
- > Namestitvev v kopalnicah in območjih, ki so izpostavljena vodi, mora izvajati usposobljeni strokovnjak.
- > Če boste hladilnik namestili pod baldahinom ali v podobnem okolju, zagotovite, da bo hladilnik zaščiten pred dežjem in brizgi vode.
- > Če na hladilniku opazite vidne znake poškodb, ga ne uporabljajte.
- > Vsaj popravila na tem hladilniku naj izvajajo samo ustrezno usposobljeni serviserji. Neustrezna popravila so lahko zelo nevarna, lahko pa tudi poškodujejo hladilnik.
- > Če je priključni kabel tega hladilnika poškodovan, ga mora zamenjati proizvajalec, njegova servisna služba oziroma ustrezno usposobljena oseba ali služba. V nasprotnem primeru obstaja nevarnost za uporabnika.
- > Pri nameščanju hladilnika bodite pozorni, da napajalnega kabla ne boste zagostili ali poškodovali.
- > Za hladilnikom ne sme biti razdelilnih podaljškov ali prenosnih virov napajanja.
- > Nezaščitenih električnih vodnikov se ne dotikajte z golimi rokami.
- > Napravo priključite v vtičnice, ki zagotavljajo ustrezno zaščito, predvsem ko mora biti naprava ozemljena.
- > Pri napajanju naprave iz električnega omrežja morate zagotoviti, da je napajanje zavarovano z zaščitnim stikalom na diferenčni tok (RCCB) ali FI-stikalom (GFCI). Namestitev je treba izvesti v skladu z vsemi veljavnimi predpisi, to velja posebej v območjih, kjer je lahko prisotna vlaga.



#### OPOZORILO! Nevarnost požara

- > Hladilni krogotok vsebuje majhno količino okolju prijaznega, hladilnega sredstva. Ne škodi ozonski plasti in ne povečuje toplogrednega učinka. Iztečeno hladilno sredstvo se lahko vname.
- > Hladilnika ne uporabljajte in ne hranite v zaprtih prostorih brez pretoka zraka ali s slabim pretokom zraka.
- > V vgradnih odprtinah za hladilnik ne sme biti električnih sestavnih delov in svetlobnih virov, ki bi med običajnim in neobičajnim delovanjem proizvajali iskre ali oblake (na primer relejev ali razdelilnih omaric).
- > Izolacija hladilnika vsebuje vnetljiv ciklopentan, zato je za odstranjevanje treba upoštevati posebne postopke. Hladilnik po koncu življenjske dobe predajte ustreznemu zbirnemu centru.



#### OPOZORILO! Nevarnost eksplozije

V hladilniku ne skladiščite eksplozivnih substanc kot npr. razpršilnikov s potisnim plinom.



#### OPOZORILO! Nevarnost za zdravje

- > Ta hladilnik smejo uporabljati otroci, ki so starejši od 8 let, in osebe z zmanjšanimi fizičnimi, zaznavnimi ali duševnimi sposobnostmi ali s pomanjkljivimi izkušnjami in znanjem, če so nadzorovani ali so prejeli navodila glede varne uporabe hladilnika in razumejo s tem povezana tveganja.
- > Otroci, ki so stari od 3 do 8 let, smejo hladilnik polniti in prazniti.
- > Otroci ne smejo brez nadzora izvajati čiščenja in vzdrževalnih del.
- > Otroke je treba nadzorovati in tako zagotoviti, da se s hladilnikom ne bodo igrali.



#### OPOZORILO! Nevarnost ujetja otroka

- > Prepričajte se, da so police nameščene in zavarovane, da se otroci ne bodo mogli zapreti v hladilnik.
- > Preden odstranite svoj stari hladilnik:

- Odstranite predale.
  - Police pustite v hladilniku, da otroci ne bodo mogli zlesti v hladilnik.
- > Snemite vrata.



### **POZOR! Nevarnost za zdravje**

- > Da bi preprečili nevarnost zaradi nestabilnosti hladilnika, ga je treba pritrditi v skladu z navodili za vgradnjo.
- > Prezračevalne odprtine v ohišju hladilnika ali vgradni enoti ne smejo biti zakrite.
- > Da bi pospešili odtajanje, ne uporabljajte mehanskega ali drugega orodja, ki ga ni priporočil proizvajalec.
- > Hladilnega krogotoka ne smete odpirati ali poškodovati.
- > V predalih za živila v hladilniku ne uporabljajte električnih naprav, razen če te električne naprave priporoča proizvajalec.



### **POZOR! Nevarnost poškodb**

- > V hladilniku ali v bližini hladilnika ne uporabljajte in ne hranite vnetljivih materialov.
- > Na hladilnik ali ob hladilnik ne polagajte predmetov.
- > Hladilnika ne spreminjajte.



### **OBVESTILO! Nevarnost poškodb**

- > Delovanje na enosmerni tok izberite le, če motor vozila teče in alternator vozila dovaja zadostno napetost ali če uporabite nadzornik baterije.
- > Kondenzacijski odtok mora biti vedno čist, če je na voljo.
- > Če ima hladilnik prezračevalne rešetke, pri čiščenju vozila v območju prezračevalnih rešetk ne uporabljajte visokotlačnega čistilnika.
- > Hladilnik ne sme biti izpostavljen dežju.
- > Vtiča iz vtičnice nikoli ne vlecite tako, da držite za priključni kabel.

## **Varnost pri delovanju hladilnika**



### **NEVARNOST! Nevarnost električnega udara**

Pred vklopom hladilnika vedno preverite, ali sta vtič in priključni kabel suha.



### **POZOR! Nevarnost za zdravje**

- > Poskrbite, da bodo v hladilniku samo predmeti, ki jih je dovoljeno hladiti na izbrano temperaturo.
- > Redno čistite površine, ki lahko pridejo v stik z živili, in dostopne odtočne sisteme.
- > Surovo meso in ribe v hladilniku hranite v primernih posodah, da ne bodo v stiku z drugimi živili in nanje ne bodo kapljali.
- > Če so vrata dlje časa odprta, lahko zaradi tega temperatura v notranjosti hladilnika zelo naraste. Če bo hladilnik dlje časa prazen:
- Izključite hladilnik.
  - Odtajajte hladilnik.
  - Očistite in posušite hladilnik.
  - Pustite vrata odprta in tako preprečite, da bi v hladilniku nastajala plesen. Vrata hladilnika in vrata zamrzovalnika odprite v položaj za zimo, če je ta na voljo.



### **POZOR! Nevarnost poškodb**

- > Ne potiskajte prstov v tečaj.

- > Preden se odpravite na pot, zaprite in zapahnite vrata hladilnika.
- > Hladilni sistem, ki je na hrbtni strani hladilnika, se med delovanjem zelo segreje. Če ima hladilnik prezračevalne rešetke in jih želite odstraniti, se pri tem zaščitite pred stikom z vročimi deli.
- > Vrata naprave ali zamrzovalnika se ob napačni uporabi lahko v celoti snamejo. Zaprite vrata, dokler zgoraj in spodaj ne zaslišite glasnega klika.



#### **OBVESTILO! Nevarnost poškodb**

- > Ne opirajte se na odprta vrata hladilnika.
- > Težke predmete, kot so steklenice ali pločevinke, hranite samo v vratih hladilnika, v predelku za zelenjavo ali na spodnji polici.
- > Če ima hladilnik dvostranska vrata in vrata na nasprotni strani niso pravilno zapahnjena, jih na tisti strani potisnite zgoraj in spodaj, dokler se ne zaskočijo na mestu.
- > **Nevarnost pregretja!** Vedno poskrbite, da se toplota, ki se sprošča med delovanjem, zadostno odvaža. Zagotovite, da je razmik med hladilnikom in sosednjimi stenami in predmeti tak, da zrak lahko kroži.
- > Notranjosti ne polnite z ledom ali tekočino.
- > Hladilnik in kable zaščitite pred vročino in vlago.
- > Vtiča iz vtičnice nikoli ne vlecite tako, da držite za priključni kabel.



#### **NASVET**

- > Obrnite se na proizvajalca svojega vozila, če sistem za nadzor baterije izklopi hladilnik, da bi zaščitil baterijo.
- > Pri temperaturah okolice od 15 °C ... 25 °C izberite povprečno nastavitev temperature.
- > Če vrata na nasprotni strani niso pravilno zapahnjena, jih na tisti strani potisnite zgoraj in spodaj, dokler se ne zaskočijo na mestu.
- > Da ne bo treba hrane zavreči, upoštevajte naslednje:
  - Temperatura naj čim manj niha. Zamrzovalnika ne odpirajte po nepotrebem in vrata naj ne bodo dolgo odprta. Živila hranite na način, ki omogoča učinkovito kroženje zraka.
  - Poskrbite, da bodo v hladilniku samo predmeti, ki jih je dovoljeno hladiti na izbrano temperaturo.
  - Različna živila hranite na način, kot je prikazano na slikah.
  - Če je temperaturo mogoče nastaviti: Temperaturo nastavite glede na količino in vrsto živil.
  - Živila se lahko hitro navlečejo ali oddajo vonj oz. okus. Živila vedno shranite pokrita ali v zaprtih posodah/steklenicah.

## 4 Obseg dobave

| Količina | Opis                                 |
|----------|--------------------------------------|
| 1        | Kompresorski hladilnik               |
| 1        | Izpustno koleno                      |
| 1        | Kratka navodila za uporabo           |
| 1        | Navodilo za uporabo (samo na spletu) |
| 1        | Navodilo za montažo                  |

## 5 Dodatna oprema

Na voljo kot dodatna oprema (ni vključeno v dobavo):

| Opis  | Številka izdelka   |
|---|--|
| Drsni tečaj   | 9620012939   |
| Pritrdilni okvir vključno s spodnjim okvirjem <ul style="list-style-type: none"> <li data-bbox="90 245 275 277">• NRX0035, NRX0050</li> <li data-bbox="90 301 194 333">• NRX0060</li> <li data-bbox="90 357 194 389">• NRX0080</li> <li data-bbox="90 413 189 445">• NRX0115</li> <li data-bbox="90 469 194 501">• NRX0130</li> </ul>       | 9620012877<br>9620012881<br>9620012882<br>9620012878<br>9620012876 |
| Pritrdilni okvir vključno s spodnjim okvirjem (črn) <ul style="list-style-type: none"> <li data-bbox="90 552 275 584">• NRX0035, NRX0050</li> <li data-bbox="90 608 194 639">• NRX0060</li> <li data-bbox="90 663 194 695">• NRX0080</li> <li data-bbox="90 719 189 751">• NRX0115</li> <li data-bbox="90 775 194 807">• NRX0130</li> </ul> | 9620012874<br>9620012875<br>9620012880<br>9620012879<br>9620012883 |
| Nadomestna polica za odstranjen zamrznjeni predelek <ul style="list-style-type: none"> <li data-bbox="90 858 275 890">• NRX0035, NRX0050</li> <li data-bbox="90 914 194 946">• NRX0060</li> <li data-bbox="90 970 194 1002">• NRX0080</li> <li data-bbox="90 1026 267 1058">• NRX0115, NRX0130</li> </ul>                                   | 9620012933<br>9620012938<br>9620012935<br>9620012932               |
| Zamrznjeni predelek <ul style="list-style-type: none"> <li data-bbox="90 1107 275 1139">• NRX0035, NRX0050</li> <li data-bbox="90 1163 194 1195">• NRX0060</li> <li data-bbox="90 1219 194 1251">• NRX0080</li> <li data-bbox="90 1275 267 1307">• NRX0115, NRX0130</li> </ul>  | 9620012931<br>9620012936<br>9620012934<br>9620012937               |
| Napajalnik AC/DC  | 9620013449 (EU)<br>9620013450 (UK)                                 |



## 6 Predvidena uporaba

Hladilnik je predviden za:

- namestitve v prikolice, avtodome, plovila in tovornjake,
- hlajenje in shranjevanje hrane,
- **samo NRX0035-0130(C/S):** shranjevanje predzamrznjene hrane,
- uporabo v notranjih prostorih.

Hladilnik ni predviden za komercialno uporabo, poslovno uporabo ali uporabo v gospodinjstvih.

Hladilnik **ni** primeren za:

- shranjevanje zdravil,
- shranjevanje korozivnih snovi ali snovi, ki vsebujejo topila,
- hitro zamrzovanje živil,
- uporabo na prostem.

Ko se naprava uporablja na plovilih, mora biti nameščena v bivalnem prostoru in ne na odprtem krovu.

Zamrznjeni predelek je primeren za shranjevanje predhodno zamrznjene hrane, shranjevanje ali pripravo sladoleda in kock ledu. Ni pa primeren za zamrzovanje predhodno odmrznjenih živil.

Hladilnik je predviden za vgradnjo v omarico ali vgradno nišo.

Optimalna učinkovitost hlajenja je zagotovljena pri temperaturah okolice med 16 °C ... 43 °C in pri maksimalni vlažnosti 90 % .

Ta izdelek je primeren samo za predvideni namen in uporabo v skladu s temi navodili.

V tem navodilu so navedene informacije, ki jih je treba upoštevati za pravilno vgradnjo in/ali delovanje izdelka.

Aparat zaradi slabe vgradnje in/ali nepravilne uporabe oziroma vzdrževanja ne bo dobro deloval in se lahko pokvari.

Proizvajalec ne sprejema nobene odgovornosti za telesne poškodbe ali poškodbe izdelka, do katerih pride zaradi:

- napačne namestitve, sestave ali priklopa, vključno s previsoko napetostjo;
- neustreznih vzdrževalnih del ali uporabe neoriginalnih nadomestnih delov, ki jih ni dobavil proizvajalec;
- sprememb izdelka brez izrecnega dovoljenja proizvajalca;
- uporabe za namene, ki niso opisani v navodilu.

Družba Dometic si pridržuje pravico do spremembe videza in specifikacij izdelka.

## 7 Tehnični opis

Hladilnik je kompresorski hladilnik.

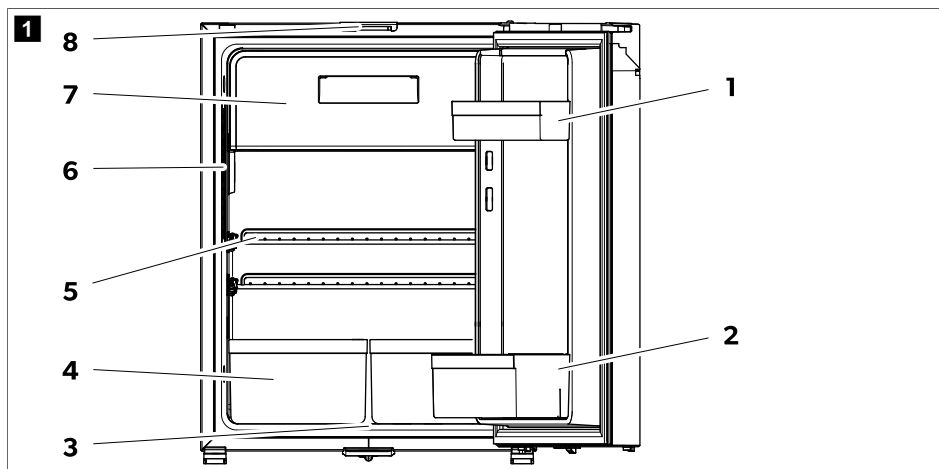
Hladilnik je zasnovan za delovanje na različne vrste napajanja ter lahko deluje na izmenični tok ali enosmerni tok.

NRX0035-0130(C/S): Pri tem modelu je tovarniško vgrajen zamrznjeni predelek, ki ga je mogoče odstraniti in znova namestiti.

Vrata hladilnika imajo zapiralni mehanizem, ki služi tudi kot transportno varovalo.

Vsi v hladilniku uporabljeni materiali so primerni za uporabo z živilo.

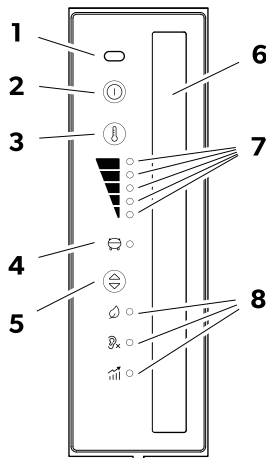
## Opis naprave



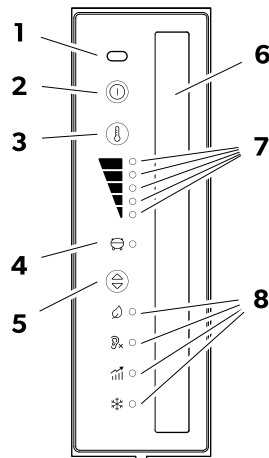
| Št. | Razlaga   |
|-----|---|
| 1   | Vratni predal (samo NRX0035-0130[C/S], NRX0080-0130[E]) |
| 2   | Polica za steklenice                                    |
| 3   | Izpust kondenzata                                       |
| 4   | Predal za zelenjavo (samo NRX0035-0130[C/S])            |
| 5   | Polica  |
| 6   | Kontrolna plošča s prikazovalnikom                      |
| 7   | Zamrznjeni predelek (samo NRX0035 - 0130[C/S])          |
| 8   | Zapiralni mehanizem za prezračevanje                    |

## Upravljalni in prikazni elementi

### NRX0035 – 0130 (E)



### NRX0035 – 0130 (C/S)



| Št. | Razlaga                               |
|-----|---------------------------------------|
| 1   | IR-senzor odprtih vrat                |
| 2   | Ⓞ Gumb za VKLOP/IZKLOP                |
| 3   | Ⓜ Gumb za nastavitev stopnje hlajenja |
| 4   | LED-indikator kompresorja in napake   |
| 5   | Ⓢ Gumb za način delovanja             |
| 6   | Notranja osvetljava                   |
| 7   | LED-indikatorji stopenj hlajenja      |
|     | Stopnja hlajenja 5                    |
|     | Stopnja hlajenja 4                    |
|     | Stopnja hlajenja 3                    |
|     | Stopnja hlajenja 2                    |
|     | Stopnja hlajenja 1                    |
| 8   | LED-indikatorji načinov delovanja     |





### LED-indikator kompresorja in napake

LED-indikator kompresorja in napake prikazuje stanje delovanja kompresorja ali opozarja na napako:

| Barva                | Opis  |
|----------------------|---|
| Bela                 | Kompresor je vklopljen                              |
| Oranžna              | Kompresor je izklopljen                             |
| Oranžna (utripajoča) | Napaka (glejte poglavje Prikaz napak na strani 484) |

## LED-indikatorji načinov delovanja

LED-indikatorji načinov delovanja prikazujejo naslednje možnosti nastavitve:

| Simbol  | Opis   |
|---|--|
|  | VARČNI način:<br>Delovanje z manjšo porabo energije.<br>Stopnja hlajenja 1 – 3   |
|  | TIHL način:<br>Manj hrupno delovanje.<br>Stopnja hlajenja 1 – 4  |
|  | ZMOGLJIVOSTNI način:<br>Stopnja hlajenja 1 – 5   |
|  | Način ZAMRZOVALNIKA (samo NRX0035–0130[C/S]):<br>Delovanje z odstranjenim zamrznjenim predelkom. Celotno notranjost hladilnika ohladi na –6 °C . |

## 8 Uporaba

### 8.1 Pred prvo uporabo

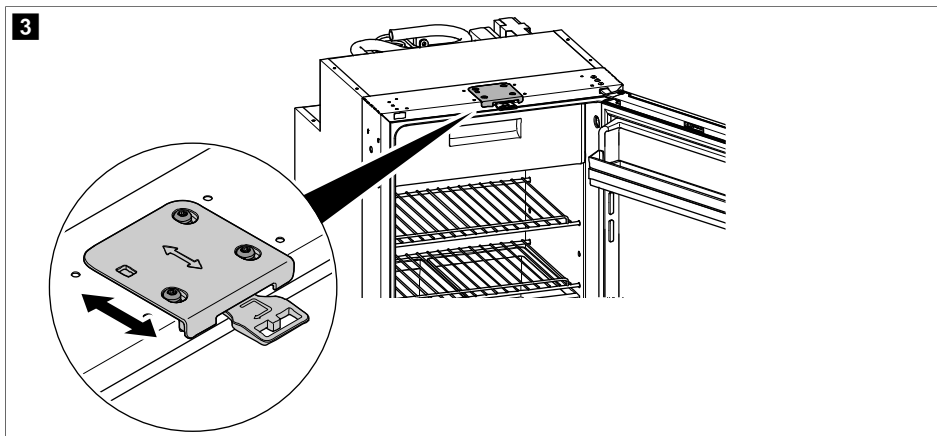


#### NASVET

- > Živil ne dajajte v hladilnik v prvih 4 urah po zagonu.
- > Pri prvem zagonu hladilnika lahko nastane neprijeten vonj, ki čez nekaj ur izhlapi. Bivalni prostor dobro prezračite.
- > Na hladilno moč lahko vplivajo:
  - temperatura okolice (npr. ko je vozilo izpostavljeno neposredni sončni svetlobi),
  - količina živil, ki jih želite hladiti,
  - pogostost odpiranja vrat.
- > Notranjost hladilnika očistite iz higienskih razlogov (glejte Čiščenje in vzdrževanje na strani 478).
- > Vozilo parkirajte na vodoravni podlagi, še posebej pri zagonu in polnjenju hladilnika pred začetkom potovanja.

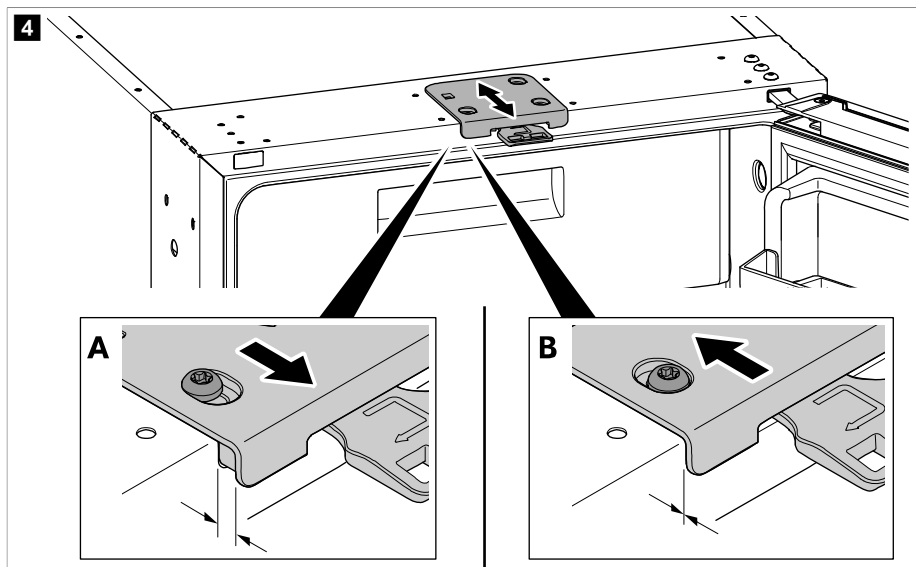
#### 8.1.1 Nastavitev zapiralnega mehanizma

Zapiralni mehanizem na vrhu hladilnika lahko nastavite, da prilagodite širino zapiranja vrat.



**i** **NASVET** Preverite, ali je nastavljen zapiralni mehanizem nameščen. Po potrebi naročite nastavljen zapiralni mehanizem ([dometic.com](http://dometic.com)) in zamenjajte fiksni zapiralni mehanizem z nastavljenim.

> Zapiralni mehanizem je tovarniško nastavljen v položaj **A**. Zapiralni mehanizem premaknite v položaj **B**.



**i** **NASVET** Če je zapiralni mehanizem v položaju **B**, se prepričajte, da se vrata pri zapiranju pravilno zapahnejo (glejte poglavje Zapiranje in zapahnitev vrat hladilnika na strani 473).

## 8.2 Informacije o shranjevanju živil



### POZOR! Nevarnost za zdravje

Če je hladilnik dlje časa izpostavljen temperaturi okolice pod 10 °C, več ni mogoče zagotoviti enakomernega uravnavanja temperature v zamrznjenem predelku. Zato lahko temperatura v zamrznjenem predelku naraste in shranjena živila se lahko odtalijo.

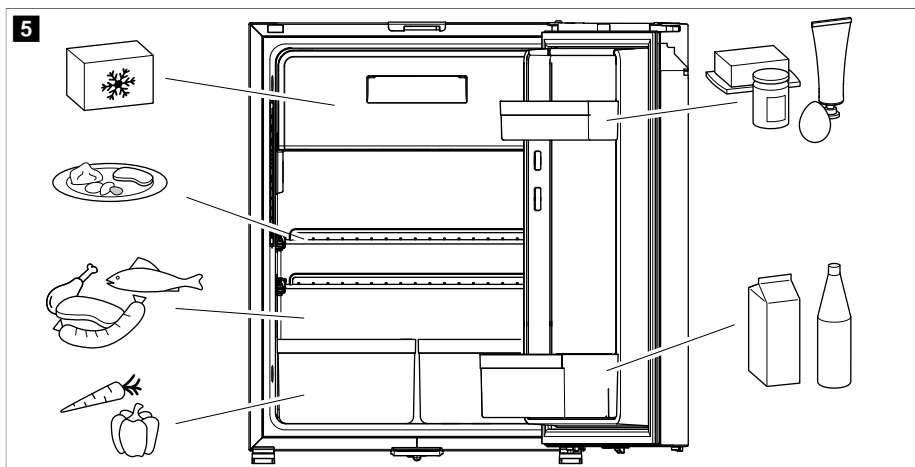


### OBVESTILO! Nevarnost poškodb

- > Pri polnjenju hladilnika upoštevajte največjo obremenitev posameznega vratnega predala in vrat (glejte Tehnični podatki na strani 485).
- > V zamrznjenem predelku ne hranite gaziranih pijač.

Da ne bo treba hrane zavreči, upoštevajte naslednje:

- Temperatura naj čim manj niha. Hladilnika ne odpirajte po nepotrebnem in vrata naj ne bodo dolgo odprta. Živila hranite na način, ki omogoča učinkovito kroženje zraka.
  - Temperaturo nastavite glede na količino in vrsto živil.
  - Različna živila hranite na način, kot je prikazano na slikah.
  - Živila se lahko hitro navlečejo ali oddajo vonj oz. okus. Živila vedno shranite pokrita ali v zaprtih posodah/ steklenicah.
- > Živila shranjujte, kot je prikazano.



## 8.3 Varčevanje z energijo

- Hladilnika ne odpirajte po nepotrebnem in vrata naj ne bodo dolgo odprta.
- Tople jedi naj se najprej ohladijo, preden jih daste v aparat in začnete hladiti.
- Hladilnik odtalite, takoj ko se nabere plast ledu.
- Ne nastavljajte nizkih temperatur, če ni treba.
- Da bo poraba energije optimalna, police in predale namestite v položaje, v katerih so bili ob dobavi.
- Redno preverjajte, ali se vratno tesnilo dobro prilega.
- S kondenzatorja redno čistite prah in umazanijo.

## 8.4 Uporaba vrat hladilnika



### POZOR! Nevarnost poškodb

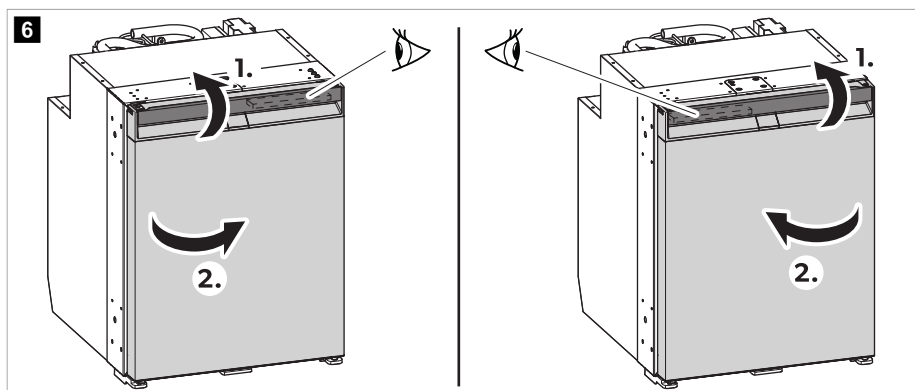
Vrata hladilnika in vrata zamrznjenega predelka se ob napačni uporabi lahko v celoti snamejo.

### 8.4.1 Odpiranje vrat hladilnika



**NASVET** Povlecite ročaj na nasprotni strani omejevalnika vrat. Upoštevajte ustrezní položaj drsnika. Glejte priloženo navodilo za montažo.

> Vrata hladilnika odprite, kot je prikazano.



### 8.4.2 Zapiranje in zapahnitev vrat hladilnika



### POZOR! Nevarnost poškodb

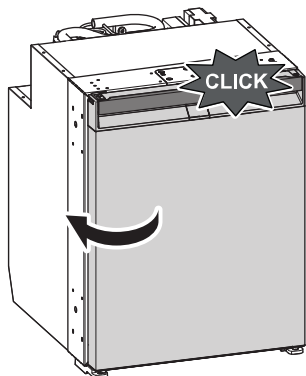
Če vrata niso pravilno zapahnjena, jih zgoraj in spodaj previdno potisnite, dokler se ne zaskočijo na mestu.



**NASVET** Vrata hladilnika imajo zapiralni mehanizem, ki služi tudi kot transportno varovalo.

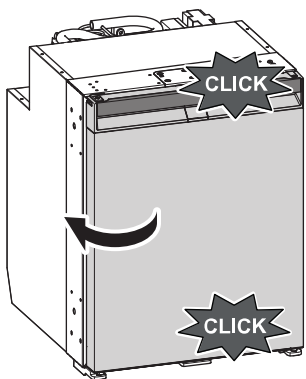
- > NRX0035–0130(E): Vrata pritiskajte, dokler na vrhu ne zaslišite glasnega klika.

## 7 NRX0035 – 0130 (E)



- > NRX0035–0130(C/S): Zaprite vrata, dokler zgoraj in spodaj ne zaslišite glasnega klika.

## 8 NRX0035 – 0130 (C/S)





- ✓ Vrata so tako zaprta in zapahnjena.

### 8.5 Vkllop in izkllop



**NASVET** Če hladilnika dlje časa ne boste uporabljali, ga vedno izklopite.

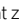
- > Za vklop držite gumb  pritisnjen vsaj 2 s .
- ✓ Hladilnik se vklopi z nazadnje izbrano stopnjo hlajenja in načinom delovanja.
- > Za izkllop držite gumb  pritisnjen vsaj 2 s .



## 8.6 Nastavljanje načinov delovanja




**NASVET** Ko uporabljate VARČNI način, ZMOGLJIVOSTNI način ali način ZAMRZOVALNIKA, sistem ostane v tem načinu do nadaljnjih sprememb.

- > Način delovanja nastavite tako, da večkrat zapored pritisnete gumb , dokler ne zasveti LED-indikator želenega načina delovanja.

Na voljo so naslednji načini delovanja:

### Uporaba VARČNEGA načina

Ko je aktiviran VARČNI način, hladilnik deluje z manjšo porabo energije pri stopnjah hlajenja 1–3.

- ✓ LED-indikator načina delovanja za VARČNI način () in LED-indikator za izbrano stopnjo hlajenja svetita.


### Uporaba TIHEGA načina

Ko je aktiviran TIHI način, hladilnik deluje manj hrupno pri stopnjah hlajenja 1–4.



#### NASVET

- > Tih način ni na voljo, če hladilnik deluje v načinu ZAMRZOVALNIKA.
- > Če je izbran TIHI način, bo hladilnik v tem načinu deloval 8 h in nato preklopil na prej izbrani način (VARČNI način ali ZMOGLJIVOSTNI način).

- ✓ LED-indikator načina delovanja za TIHI način () in LED-indikator za izbrano stopnjo hlajenja svetita.

### Uporaba ZMOGLJIVOSTNEGA načina

Ko je aktiviran ZMOGLJIVOSTNI način, hladilnik deluje v standardnem načinu pri stopnjah hlajenja 1–5.

- ✓ LED-indikator načina delovanja za ZMOGLJIVOSTNI način () in LED-indikator za izbrano stopnjo hlajenja svetita.

### Uporaba načina ZAMRZOVALNIKA

Ko je vklopljen način ZAMRZOVALNIKA, je celotna notranjost hladilnika ohlajena na  $-6^{\circ}\text{C}$ .



**NASVET** Za uporabo načina ZAMRZOVALNIKA odstranite zamrznjeni predelek.

- ✓ LED-indikator načina delovanja za način ZAMRZOVALNIKA () in vsi LED-indikatorji za izbrano stopnjo hlajenja neprekinjeno svetijo.

## 8.7 Nastavitev stopnje hlajenja

- > Stopnjo hlajenja nastavite tako, da večkrat zapored pritisnete gumb , dokler ne dosežete zelene stopnje hlajenja.

## 8.8 Prestavljanje polic



### OPOZORILO! Nevarnost ujetja otroka

NRX0060–0130: Vse police so fiksno pritrjene, da otroci ne morejo zlesti v hladilnik.

- > Police odstranite le za namene čiščenja.

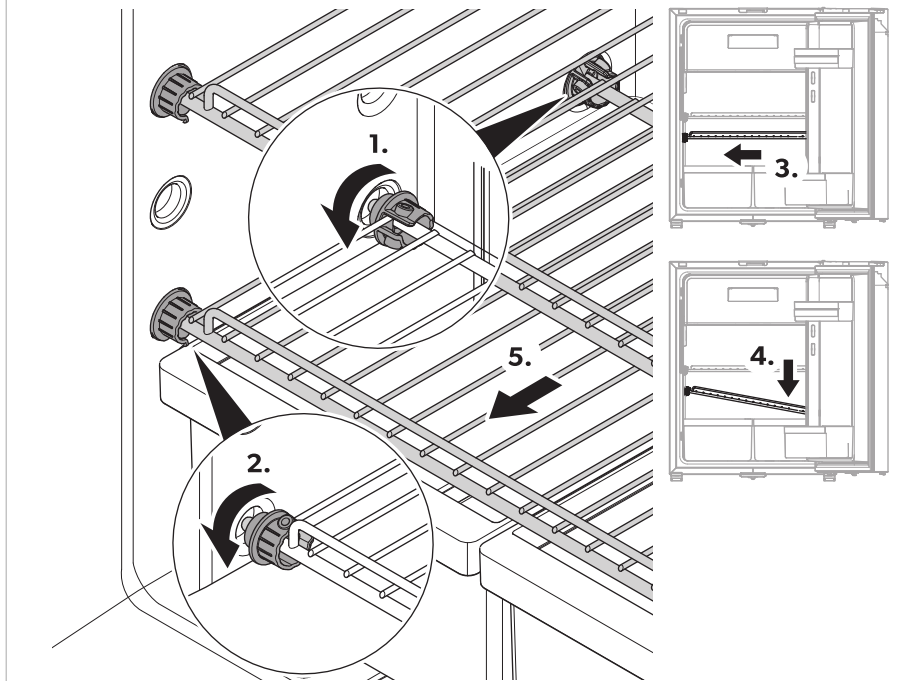
- > Police namestite nazaj, da se zaskočijo na mestu.



**NASVET** Pred prestavljanjem polic odstranite zamrznjeni predelek, da boste imeli boljši dostop do zadnjih čepov polic.

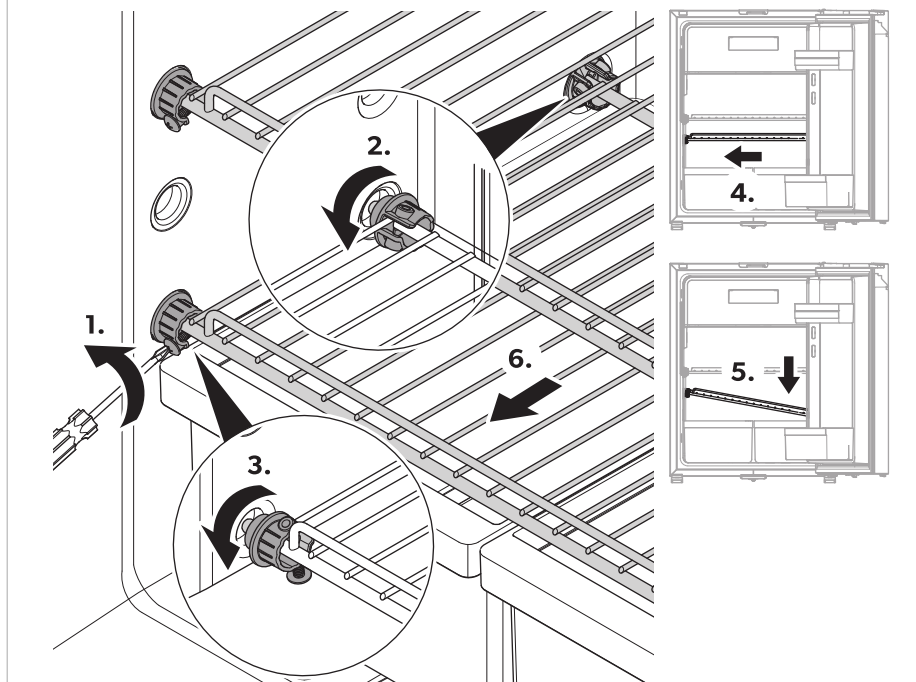
- > **NRX0035-0050:** Police prestavite v želeni položaj, kot je prikazano.

## 9 NRX0035 – 0050



- > **NRX0035-0050:** Police prestavite v želeni položaj, kot je prikazano.

## 10 NRX0060 – 0130



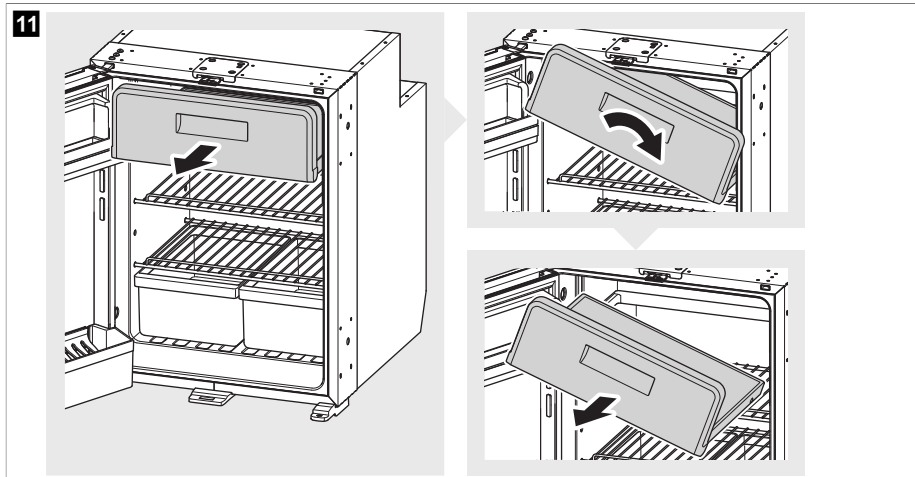
## 8.9 Odstranjevanje zamrznjenega predelka



### OBVESTILO! Nevarnost poškodb

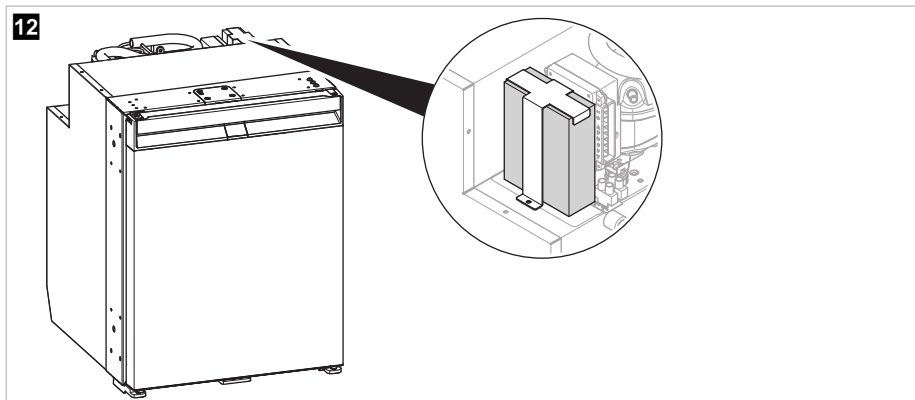
- > Zaprite vrata zamrznjenega predelka, preden ga odstranite.
- > Zamrznjeni predelek primite spodaj. Ne vlecite za vrata zamrznjenega predelka.
- > Zamrznjeni predelek shranite na suhem in hladnem mestu.

- > Zamrznjeni predelek odstranite, kot je prikazano.



## 8.10 Nameščanje napajalnika AC/DC

- > Napajalnik AC/DC (dodatna oprema) namestite, kot je prikazano.



## 9 Čiščenje in vzdrževanje



### OPOZORILO! Nevarnost električnega udara

Pred vsakim čiščenjem in vzdrževanjem hladilnik odklopite iz vira napajanja.



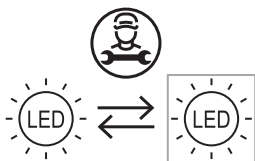
### OBVESTILO! Nevarnost poškodb

- > Za čiščenje ne uporabljajte abrazivnih čistilnih sredstev ali trdih predmetov.
- > Za odstranjevanje ledenih oblog ali zamrznjenih predmetov ne uporabljajte trdih ali ostrih orodij.
- > Pazite, da v tesnila ne bo kapljala voda. Elektronika se lahko poškoduje.



### OBVESTILO! Nevarnost poškodb

Svetlobni vir lahko zamenja samo proizvajalec, serviser ali podobno usposobljena oseba, s čimer preprečite morebitne nevarnosti.



- > Notranjost in zunanost hladilnika redno in ko je umazan čistite z vlažno krpo. Hladilnik po čiščenju s krpo obrišite do suhega.
- > Redno preverjajte kondenzacijski odtok.  
Po potrebi očistite kondenzacijski odtok. Če je zamašen, se kondenzat nabira na dnu hladilnika.
- > Redno čistite prah in umazanijo s kondenzatorja z vlažno krpo.

### Hladilni krogotok

Hladilni krogotok ne potrebuje vzdrževanja.

### Odtajanje hladilnika



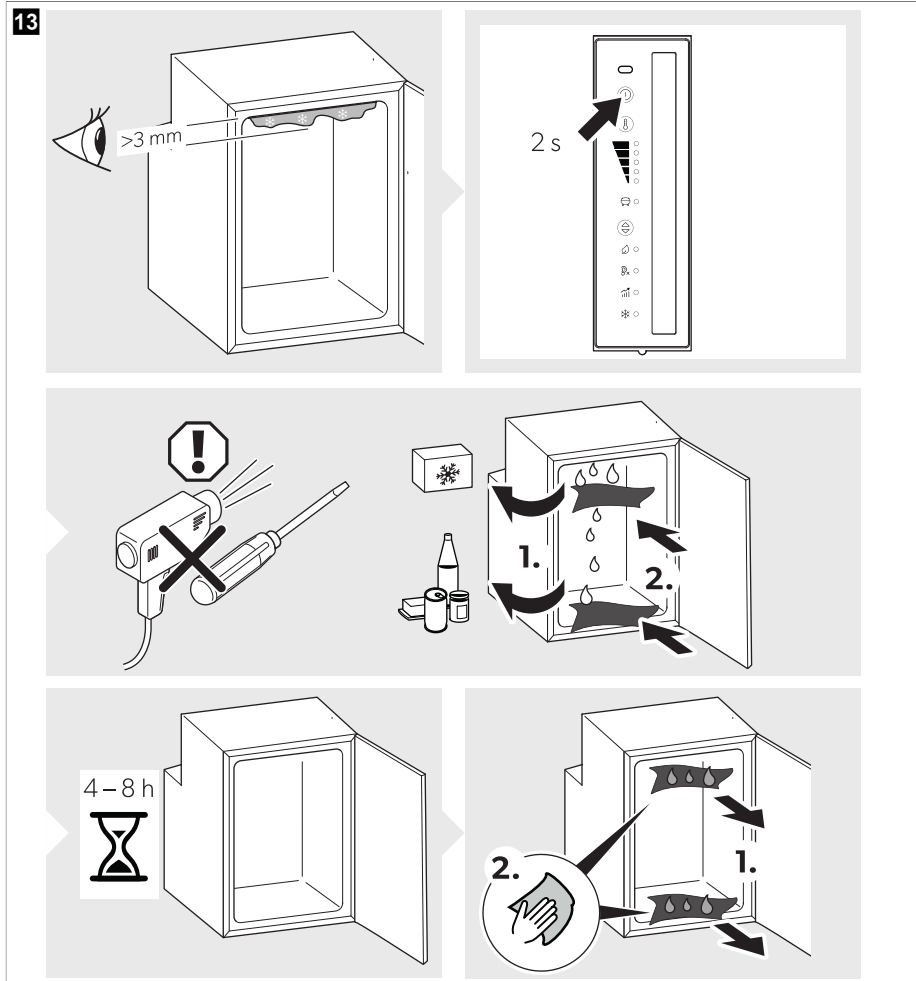
### OBVESTILO! Nevarnost poškodb

Ne uporabljajte mehanskega ali drugega orodja, da bi pospešili odtajanje.



**NASVET** Na hrbtne strani se sčasoma nabere plast slane. Ko je plast slane debela približno 3 mm, morate hladilnik odtajati.

> Hladilnik odtajajte, kot je prikazano.



### Nastavitev vrat hladilnika v položaj za skladiščenje



#### **POZOR! Nevarnost poškodb**

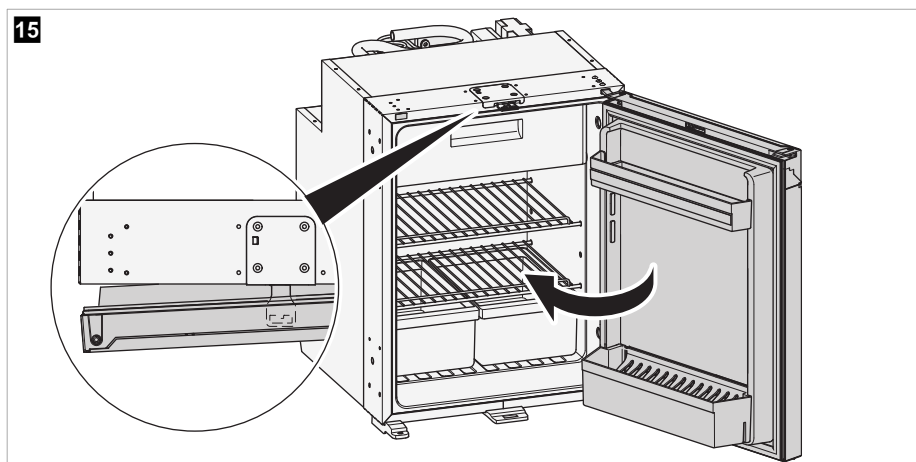
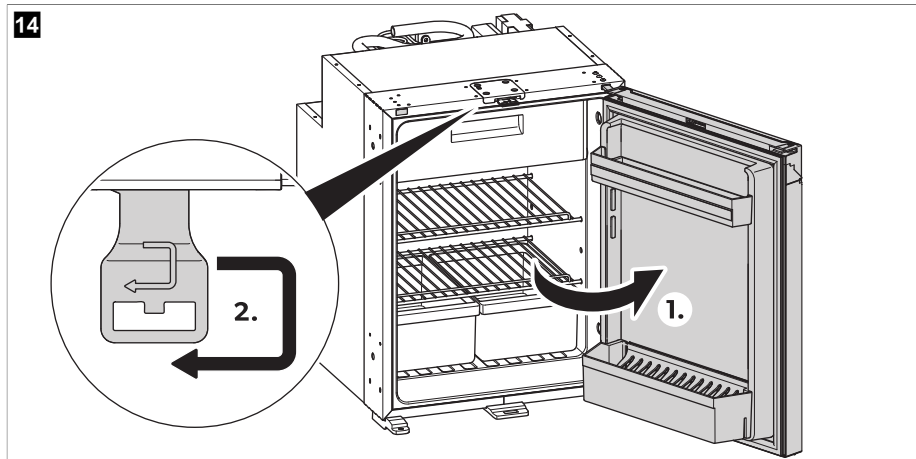
Položaja za skladiščenje ne smete uporabljati med vožnjo.



**NASVET** Vrata hladilnika nastavite v položaj za skladiščenje, če aparata dlje časa ne boste uporabljali. Tako preprečite nastanek plesni.

> Odtalite hladilnik (glejte Odtajanje hladilnika na strani 479).

> Vrata hladilnika prestavite v položaj za skladiščenje, kot je prikazano.

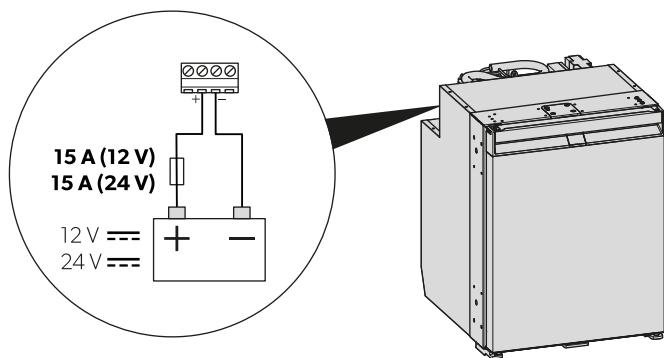



## 10 Odpravljanje težav



**NASVET** Da bo uporaba 12 V elektronskih naprav v počitniški prikolici med vožnjo varna, je treba zagotoviti zadostno napajalno napetost iz vlečnega vozila. V nekaterih vozilih lahko sistem za uravnavanje energije baterije samodejno izklopi elektronske naprave, da zaščiti baterijo. O tem se pozanimajte pri proizvajalcu vašega vozila.

16



| Motnja   | Možni vzrok  | Rešitev   |
|--|--|---|
| Hladilnik ne deluje.   | Varovalka v omrežju na enosmerni tok je pokvarjena.  | > Zamenjajte varovalko (  sl. 16 na strani 482).   |
|  | Varovalka v vozilu je pokvarjena.  | > Zamenjajte varovalko v vozilu.<br>Glejte navodilo za uporabo vozila.  |
|  | Baterija vozila je izpraznjena.  | > Preverite baterijo vozila in jo napolnite.  |
|  | Vžig ni vklopljen.   | > Vključite vžig.   |
|  | Temperatura kompresorja je prenizka (< 0 °C).  | > Vse zunanje prezračevalne rešetke v celoti zaprite/prekrijte z izolacijskim materialom.   |
|  | Hladilnik se samodejno izklopi, če napetost ni zadostna.<br>(Izklopna napetost: 10,4 V $\approx$ ) | > Napolnite baterijo. Hladilnik se bo samodejno znova vkloпил.<br>(Vključna napetost: 11,7 V $\approx$ )  |
| Slabo hlajenje, dvig notranje temperature. Kompressor neprekinjeno deluje. | Prezračevanje okoli agregata ni zadostno.  | > Preverite, ali je prezračevalna rešetka prosta.<br>> Hladilnik prestavite na drugo mesto.   |
|  | Notranje stene so zaledenene.  | > Preverite, ali se vrata hladilnika pravilno zapirajo.<br>> Preverite, ali je tesnilo hladilnika dobro nameščeno in ni poškodovano.<br>> Odtalite hladilnik (glejte Odtajanje hladilnika na strani 479). |
|  | Nastavljena je previsoka temperatura.  | > Nastavite nižjo temperaturo.  |
|  | Temperatura okolice je previsoka.  | > Začasno odstranite prezračevalno rešetko, da se lahko topel zrak hitreje odvaja.  |
|  | V hladilnik ste naenkrat vstavili preveliko količino živil.  | > Odstranite nekaj živil.   |
|  | V hladilnik ste naenkrat vstavili preveliko količino toplih živil.                                 | > Odstranite topla živila in jih pred shranjevanjem ohladite.   |



| Motnja   | Možni vzrok  | Rešitev   |
|--|--|---|
|  | Hladilnik še ne deluje dovolj dolgo.   | > Znova preverite temperaturo po 4 h / 5 h .                                    |
|  | Kondenzator je umazan.   | > Očistite kondenzator (glejte poglavje Čiščenje in vzdrževanje na strani 478). |
|  | Ventilator je pokvarjen.   | > Obrnite se na pooblaščenega serviserja.                                       |
| Slabo hlajenje, dvig notranje temperature.<br>Kompresor se ne zažene pogosto.                                  | Kapaciteta baterije je slaba.  | > Napolnite baterijo.   |
| Slabo hlajenje, dvig notranje temperature.<br>Kompresor ne deluje (prikluček baterije).                        | Povezava med baterijo in elektronikom je prekinjena.   | > Vzpostavite povezavo.   |
|  | Glavno stikalo je pokvarjeno (če je nameščeno).  | > Zamenjajte glavno stikalo.  |
|  | Pregorela je varovalka dodatnega napajalnega voda (če je nameščena).   | > Zamenjajte varovalko napajalnega voda.  |
|  | Napetost baterije je prenizka.   | > Napolnite baterijo.   |
|  | Kapaciteta baterije je slaba.  | > Zamenjajte baterijo.  |
|  | Kabli so zrahljani.<br>Kontakt je slab (korozija).   | > Vzpostavite povezavo.   |
|  | Presek kabla je premajhen.   | > Zamenjajte kabel.   |
|  | Kompresor je pokvarjen.  | > Obrnite se na pooblaščenega serviserja.                                       |
| Slabo hlajenje, dvig notranje temperature.<br>Kompresor ne deluje (prikluček na napajanje z izmeničnim tokom). | Priključni napajalni vodnik je prekinjen.  | > Vzpostavite povezavo.   |
|  | Glavno stikalo je pokvarjeno (če je nameščeno).  | > Zamenjajte glavno stikalo.  |
|  | Pregorela je varovalka dodatnega napajalnega voda (če je nameščena).   | > Zamenjajte varovalko napajalnega voda.  |
|  | Kompresor je pokvarjen.  | > Obrnite se na pooblaščenega serviserja.                                       |
| Nenavaden hrup.  | Komponenta hladilnega kroga toka se ne more prosto gibati (dotika se stene).   | > Komponento previdno opognite stran od ovire.                                  |
|  | Med hladilno enoto in steno se je zataknil tujek.  | > Odstranite tujek.   |
|  | Ventilator je glasen.  | > Obrnite se na pooblaščenega serviserja.                                       |
| Vrata se med premikanjem (npr. med vožnjo) nehote odpirajo.  | Zapiralni mehanizem je nastavljen v položaj <b>A</b> (glejte poglavje Nastavitve zapiralnega mehanizma na strani 470). | > Zapiralni mehanizem prestavite v položaj <b>B</b> .                           |
| Vrat ni mogoče pravilno zapreti.   | Zapiralni mehanizem je nastavljen v položaj <b>A</b> (glejte poglavje Nastavitve zapiralnega mehanizma na strani 470). | > Zapiralni mehanizem prestavite v položaj <b>B</b> .                           |

| Motnja | Možni vzrok   | Rešitev  |
|--------|---|--|
|        | Zapiralni mehanizem je nastavljen v položaj <b>B</b> (glejte poglavje Nastavitve zapiralnega mehanizma na strani 470), vendar vrata niso pravilno zapahnjena. | > Ko zapirate vrata hladilnika, se pričajate, da so pravilno zapahnjena. |

## Prikaz napak



### NASVET

- > Vse napake so prikazane z oranžnim utripanjem LED-indikatorja (glejte Upravljalni in prikazni elementi na strani 469). Število utripanj je odvisno od vrste napake. Vsako utripanje traja četr sekunde. Po zaporednih utripanjih sledi premor. Zaporedje za napako se ponovi vsake štiri sekunde.
- > V VARČNEM načinu, ZMOGLJIVOSTNEM načinu in načinu ZAMRZOVALNIKA se dodatno oglasi pisk.

| Frekvenca utripanja | Napaka                          | Možni vzrok  |
|---------------------|---------------------------------|--|
| 1                   | Prenizka ali previsoka napetost | Napajalna napetost je izven nastavljenega razpona.   |
| 2                   | Prekomerni tok ventilatorja     | Obremenitev ventilatorja na elektronski enoti je večja od 1 A.   |
| 3                   | Motor se ne zažene.             | Rotor je zagozden.<br>Tlačna razlika v hladilnem sistemu je prevelika.   |
| 4                   | Prenizka hitrost                | Če je hladilni sistem preobremenjen, ni mogoče vzdrževati najmanjše hitrosti motorja.                            |
| 5                   | Pregrevanje elektronske enote   | Če je hladilni sistem preveč obremenjen ali je nastavljena previsoka temperatura, se elektronika lahko pregreje. |
| Neprekinjeno        | Napake senzorja temperature     | Senzor temperature je pokvarjen.   |

## 11 Garancija

Velja zakonsko določen garancijski rok. Če je izdelek pokvarjen, se obrnite na podružnico proizvajalca v svoji državi (glejte [dometic.com/dealer](http://dometic.com/dealer)) ali na trgovca.

Za obravnavanje zahtevkov popravil oz. garancijskih zahtevkov morate skupaj z aparatom poslati naslednjo dokumentacijo:

- kopijo računa z datumom nakupa,
- razlog za reklamacijo ali opis napake.

Upoštevajte, da lahko imajo lastnoročna ali neprofesionalna popravila varnostne posledice in lahko razveljavijo garancijo.

## 12 Odstranjevanje



### OBVESTILO! Nevarnost poškodb

Izolacija hladilne naprave vsebuje vnetljiv ciklopentan, zato je za odstranjevanje treba upoštevati posebne postopke. Hladilno napravo po koncu življenjske dobe predajte ustreznemu zbirnemu centru.



Emblažni material odstranite v primerne zabojnike za recikliranje odpadkov, če je to mogoče. Pri lokalnem centru za zbiranje odpadkov ali specializiranem trgovcu se pozanimajte glede odstranjevanja izdelka v skladu z veljavnimi predpisi. Evropa: Izdelek je mogoče brezplačno odstraniti.

## 13 Tehnični podatki

Za trenutno izjavo EU o skladnosti za vaš aparat glejte zadevno stran z izdelki na spletnem mestu [dometic.com](http://dometic.com) ali se obrnite neposredno na proizvajalca (glejte [dometic.com/dealer](http://dometic.com/dealer)).

Ta naprava je skladu s predpisom ZN ECE R10.

|   | NRX0035(E/C/S)  | NRX0050(E/C/S)   | NRX0060(E/C/S) |
|---|-----------------|------------------|----------------|
| Prostornina   |                 |                  |                |
| • Hladilni predelek (samo NRX0035-0130[C/S])                | 27,3 L          | 39,6 L           | 48,9 L         |
| • Zamrznjeni predelek (samo NRX0035-0130[C/S])              | 4,4 L           | 4,4 L            | 6,1 L          |
| • Skupna prostornina  | 32 L            | 44 L             | 55 L           |
| • Skupna prostornina (z odstranjenim zamrznjenim predelkom) | 34 L            | 46 L             | 58 L           |
| Priključna napetost   | 12 / 24 V==     |                  |                |
| Zaščita napajalne baterije (12 V)                           |                 |                  |                |
| • Izklopna napetost   |                 | 10,4 V           |                |
| • Vklompna napetost   |                 | 11,7 V           |                |
| Zaščita napajalne baterije (24 V)                           |                 |                  |                |
| • Izklopna napetost   |                 | 22,8 V           |                |
| • Vklompna napetost   |                 | 24,2 V           |                |
| Klimatski razred  | T               |                  |                |
| Območje temperature skladiščenja:                           |                 |                  |                |
| • Hladilnik   |                 | 0 °C ... 12 °C   |                |
| • Zamrznjeni predelek (samo NRX0035-0130[C/S])              |                 | -15 °C ... -5 °C |                |
| • Način zamrzovalnika (samo NRX0035-0130[C/S])              |                 | -6 °C            |                |
| Predvidena temperatura v okolici uporabe                    | 16 °C ... 43 °C |                  |                |
| Hladilno sredstvo   | R134a           |                  |                |
| Količina hladilnega sredstva                                | 24 g            | 26 g             | 30 g           |
| Ekivalent CO <sub>2</sub>                                   | 0,034 t         | 0,037 t          | 0,043 t        |
| Potencial globalnega segrevanja (GWP)                       | 1430            |                  |                |
| Emisija hrupa (EN 60704)                                    | 40 ... 45 dB(A) |                  |                |

|   | <b>NRX0035(E/C/S)</b>   | <b>NRX0050(E/C/S)</b>     | <b>NRX0060(E/C/S)</b>    |
|---|---|---------------------------|--------------------------|
| Mere V x Š x G  | 525 × 380 × 355 mm<br><br>(brez kompresorja in distančnika)<br><br>525 mm × 380 mm × 480 mm<br><br>(s kompresorjem in distančnikom) | 525 mm × 380 mm × 510 mm  | 525 mm × 448 mm × 537 mm |
| Neto teža   | E: 13,5 kg<br>C, S: 16 kg   | E: 14,5 kg<br>C, S: 17 kg | E: 16 kg<br>C, S: 17 kg  |
| Največja obremenitev  |   |                           |                          |
| • Na vratni predal  | 4 kg  | 4 kg                      | 5 kg                     |
| • Na vrata  | E: 4 kg<br>C/S: 8 kg  | E: 4 kg<br>C/S: 8 kg      | E: 5 kg<br>C/S: 10 kg    |
|   | <b>NRX0080(E/C/S)</b>   | <b>NRX0115(E/C/S)</b>     | <b>NRX0130(E/C/S)</b>    |
| Prostornina   |   |                           |                          |
| • Hladilni predelek (samo NRX0035 – 0130[C/S])              | 68,4 L  | 104,5 L                   | 118 L                    |
| • Zamrznjeni predelek (samo NRX0035 – 0130[C/S])            | 6,6 L   | 8,2 L                     | 8,2 L                    |
| • Skupna prostornina  | 75 L  | 113 L                     | 126 L                    |
| • Skupna prostornina (z odstranjenim zamrznjenim predelkom) | 78 L  | 116 L                     | 130 L                    |
| Priključna napetost   | 12 / 24 V <sup>===</sup>  |                           |                          |
| Zaščita napajalne baterije (12 V)                           |   |                           |                          |
| • Izklopna napetost   |   | 10,4 V                    |                          |
| • Vklompna napetost   |   | 11,7 V                    |                          |
| Zaščita napajalne baterije (24 V)                           |   |                           |                          |
| • Izklopna napetost   |   | 22,8 V                    |                          |
| • Vklompna napetost   |   | 24,2 V                    |                          |
| Klimatski razred  | T   |                           |                          |
| Območje temperature skladiščenja                            |   |                           |                          |
| • Hladilnik   |   | 0 °C ... 12 °C            |                          |
| • Zamrznjeni predelek (samo NRX0035–0130[C/S])              |   | –15 °C ... –5 °C          |                          |

|  | NRX0080(E/C/S)          | NRX0115(E/C/S)          | NRX0130(E/C/S)          |
|--|-------------------------|-------------------------|-------------------------|
| • Način zamrzovalnika (samo NRX0035-0130C/S) | -6 °C                   |                         |                         |
| Predvidena temperatura v okolici uporabe     | 16 °C ... 43 °C         |                         |                         |
| Hladilno sredstvo                            | R134a                   |                         |                         |
| Količina hladilnega sredstva                 | 32 g                    | 40 g                    | 40 g                    |
| Ekvivalent CO2                               | 0,046 t                 | 0,057 t                 | 0,057 t                 |
| Potencial globalnega segrevanja (GWP)        | 1430                    |                         |                         |
| Emisija hrupa (EN 60704)                     | 40 ... 45 dB(A)         |                         |                         |
| Mere V x Š x G                               | 625 x 475 x 537 mm      | 745 x 525 x 568 mm      | 812 x 525 x 568 mm      |
| Neto teža                                    | C, S: 20 kg<br>E: 18 kg | C, S: 26 kg<br>E: 24 kg | C, S: 27 kg<br>E: 25 kg |
| Največja obremenitev                         |                         |                         |                         |
| • Na vratni predal                           | 5 kg                    | 6 kg                    | 6 kg                    |
| • Na vrata                                   | 10 kg                   | E: 12 kg<br>C/S: 18 kg  | E: 12 kg<br>C/S: 18 kg  |

## 14 Tehnični podatki

Za trenutno izjavo EU o skladnosti za vaš aparat glejte zadevno stran z izdelki na spletnem mestu [dometic.com](http://dometic.com) ali se obrnite neposredno na proizvajalca (glejte [dometic.com/dealer](http://dometic.com/dealer)).

Ta naprava je skladu s predpisom ZN ECE R10.

|   | NRX0090V                |
|---|-------------------------|
| Prostornina   |                         |
| • Hladilni predelek   | 79 L                    |
| • Zamrznjeni predelek                                       | 8,4 L                   |
| • Skupna prostornina  | 87 L                    |
| • Skupna prostornina (z odstranjenim zamrznjenim predelkom) | 92 L                    |
| Priključna napetost   | 12 / 24 V <sup>==</sup> |
| Zaščita napajalne baterije (12 V)                           |                         |
| • Izklopna napetost   | 10,4 V                  |
| • Vklopna napetost  | 11,7 V                  |
| Zaščita napajalne baterije (24 V)                           |                         |
| • Izklopna napetost   | 22,8 V                  |
| • Vklopna napetost  | 24,2 V                  |
| Poraba energije   | 0,35 kWh / 24 h         |

|  | <b>NRX0090V</b>          |
|--|--------------------------|
| Klimatski razred                         | T                        |
| Območje temperature skladiščenja         |                          |
| • Hladilnik                              | 0 °C ... 15 °C           |
| • Zamrznjeni predelek                    | -12 °C ... -5 °C         |
| • Način zamrzovalnika                    | -5 °C ± 2 °C             |
| Predvidena temperatura v okolici uporabe | 16 °C ... 43 °C          |
| Hladilno sredstvo                        | R600a                    |
| Količina hladilnega sredstva             | 22 g                     |
| Ekvivalent CO <sub>2</sub>               | 0,000 t                  |
| Potencial globalnega segrevanja (GWP)    | 3                        |
| Emisija hrupa (EN60704)                  |                          |
| • ZMOGLJIVOSTNI način                    | < 40 dB(A)               |
| • TIHI način                             | 37 dB(A)                 |
| Mere V x Š x G                           | 821 mm × 486 mm × 480 mm |
| Neto teža                                | 22 kg                    |

## Română

|    |                                |     |
|----|--------------------------------|-----|
| 1  | Observații importante.....     | 489 |
| 2  | Explicația simbolurilor.....   | 489 |
| 3  | Instrucțiuni de siguranță..... | 490 |
| 4  | Domeniul de livrare.....       | 492 |
| 5  | Accesorii.....                 | 493 |
| 6  | Domeniul de utilizare.....     | 494 |
| 7  | Descriere tehnică.....         | 495 |
| 8  | Utilizarea.....                | 497 |
| 9  | Curățarea și întreținerea..... | 505 |
| 10 | Remedierea defecțiunilor.....  | 508 |
| 11 | Garanție.....                  | 511 |
| 12 | Eliminarea.....                | 511 |
| 13 | Date tehnice.....              | 512 |
| 14 | Date tehnice.....              | 514 |

## 1 Observații importante

Citiți cu atenție și respectați toate instrucțiunile, indicațiile și avertismentele incluse în acest manual de produs pentru a vă asigura că instalați, utilizați și întrețineți produsul în permanență. Aceste instrucțiuni TREBUIE păstrate cu acest produs.

Prin utilizarea produsului, confirmați că ați citit cu atenție toate instrucțiunile, indicațiile și avertismentele și că înțelegeți și sunteți de acord să respectați termenii și condițiile stabilite. Sunteți de acord să utilizați acest produs numai pentru scopul și aplicația prevăzute și în conformitate cu instrucțiunile, indicațiile și avertismentele prezentate în acest manual de produs, precum și în conformitate cu toate legile și reglementările aplicabile. Nerespectarea instrucțiunilor și avertismentelor prezentate aici poate duce la vătămarea personală a utilizatorului sau a altora, la deteriorarea produsului sau a altor bunuri din apropiere. Acest manual al produsului, inclusiv instrucțiunile, indicațiile și avertismentele și documentația aferentă pot fi supuse modificărilor și actualizărilor. Pentru informații actualizate despre produs, vă rugăm să vizitați [documents.dometic.com](https://documents.dometic.com).

## 2 Explicația simbolurilor

Un cuvânt de semnalizare identifică mesajele de siguranță și mesajele privind daunele materiale și, de asemenea, indică gradul sau nivelul de gravitate a pericolului.



### PERICOL!

Indică o situație periculoasă care, dacă nu este evitată, va provoca moartea sau răni grave.



### AVERTIZARE!

Indică o situație periculoasă care, dacă nu este evitată, poate provoca moartea sau răni grave.



### PRECAUȚIE!

Indică o situație periculoasă care, dacă nu este evitată, poate provoca răni minore sau medii.



### ATENȚIE!

Indică o situație care, dacă nu este evitată, poate duce la pagube materiale.



**INDICAȚIE** Informații complementare privind operarea produsului.

## 3 Instrucțiuni de siguranță

### Informații generale de siguranță



#### AVERTIZARE! Pericol de electrocutare

- > Instalarea și demontarea frigiderului pot fi efectuate numai de către personal calificat.
- > Instalarea în toalete și zone expuse la apă trebuie efectuată de un tehnician calificat.
- > Dacă instalați frigiderul sub un baldachin sau un mediu similar, asigurați-vă că frigiderul este protejat de ploaie și stropire cu apă.
- > Nu puneți în funcțiune frigiderul dacă prezintă deteriorări vizibile.
- > Acest frigider poate fi reparat doar de către personal calificat. Reparațiile necorespunzătoare pot duce la un pericol considerabil sau la deteriorarea frigiderului.
- > În cazul în care cablul de alimentare al acestui frigider este deteriorat, trebuie înlocuit de către producător, serviciul de asistență pentru clienți al acestuia sau de către o persoană cu o calificare asemănătoare, pentru a evita pericolele de siguranță.
- > Când amplasați frigiderul, asigurați-vă că cablul de alimentare nu este prins sau deteriorat.
- > Nu amplasați mai multe prize portabile sau surse de alimentare portabile în partea din spate a frigiderului.
- > Nu atingeți cablurile expuse cu mâinile goale.
- > Conectați dispozitivul la prize care asigură o conexiune adecvată, în special atunci când dispozitivul trebuie să fie împământat.
- > În cazul în care aparatul este alimentat de la rețeaua de alimentare, asigurați-vă că alimentarea cu curent are un întrerupător de curent rezidual (RCCB) sau un întrerupător pentru lipsa circuitului de împământare (GFCI). Instalarea trebuie efectuată conform tuturor reglementărilor aplicabile, în special în zone potențial umede.



#### AVERTIZARE! Pericol de incendiu

- > Circuitul frigorific conține o cantitate mică de agent frigorific ecologic, . Nu afectează stratul de ozon și nu crește efectul de seră. Orice scurgere de agent frigorific se poate aprinde.
- > Nu utilizați și nu depozitați frigiderul în spații închise, fără flux de aer sau cu un flux minim de aer.
- > Adânciturile de instalare ale frigiderului trebuie să fie libere de orice componente electrice și surse de lumină, care în timpul unei utilizări normale sau anormale produc scântei sau arcuri electrice (de exemplu, relele sau cutii de siguranțe).
- > Izolația frigiderului conține ciclopentan inflamabil și necesită proceduri speciale de eliminare. La sfârșitul ciclului său de viață, duceți frigiderul la un centru de reciclare adecvat.



#### AVERTIZARE! Pericol de explozie

Nu depozitați în frigider substanțe cu capacitate de explozie, ca de exemplu spray-uri cu agent propulsor.



#### AVERTIZARE! Pericol pentru sănătate

- > Acest frigider poate fi utilizat de copiii cu vârsta de peste 8 ani și de către persoane cu capacități fizice, senzoriale sau mentale reduse sau de către persoane lipsite de experiență și cunoștințe dacă acestea au fost supravegheate și instruite cu privire la utilizarea frigiderului în condiții de siguranță și înțeleg riscurile pe care le implică.
- > Copiilor cu vârste cuprinse între 3 și 8 ani li se permite să încarce și să descarce frigiderul.
- > Curățarea și operațiunile de întreținere nu trebuie efectuate de copii fără supraveghere.
- > Copiii trebuie supravegheați pentru a nu se juca cu frigiderul.



**AVERTIZARE! Risc de blocare a copilului**

- > Aveți grijă ca sertarele să fie montate și fixate astfel încât copiii să nu se poată bloca în frigider.
- > Înainte de a arunca frigiderul vechi:
  - Demontați sertarele.
  - Lăsați rafturile în frigider astfel încât copiii să nu se poată urca înăuntru.
- > Scoateți ușile.

**PRECAUȚIE! Pericol pentru sănătate**

- > Pentru a preveni pericolul din cauza instabilității frigiderului, trebuie să fie fixat în conformitate cu instrucțiunile de instalare.
- > Nu obstrucționați orificiile de aerisire, pe frigider și în incinta acestuia sau în structura încorporată.
- > Nu folosiți dispozitive mecanice sau alte mijloace pentru a accelera procesul de dezghețare, altele în afara celor recomandate de producător.
- > Nu deschideți și nu deteriorați circuitul de agent frigorific sub nicio circumstanță.
- > Nu utilizați dispozitive electrice în interiorul frigiderului decât dacă sunt recomandate de producător în acest scop.

**PRECAUȚIE! Risc de vătămare**

- > Nu utilizați și nu depozitați materiale inflamabile în sau lângă acest frigider.
- > Nu amplasați articole pe sau sprijinite de acest frigider.
- > Nu modificați acest frigider.

**ATENȚIE! Pericol de defectare**

- > Selectați funcționarea cu alimentare c.c. numai dacă motorul vehiculului este în funcțiune și asigură o tensiune suficientă sau dacă utilizați un monitor de baterie.
- > Dacă există, păstrați scurgerea pentru condens curată în permanență.
- > Dacă frigiderul dispune de grile de aerisire, nu folosiți un aparat de curățat de înaltă presiune în apropierea grilei de aerisire în timpul curățării vehiculului.
- > Frigiderul nu trebuie expus ploii.
- > Nu scoateți niciodată ștecherul din priză ținând de cablu.

**Securitatea la exploatarea aparatului de răcire****PERICOL! Pericol de electrocutare**

Înainte de a porni frigiderul, asigurați-vă că linia de alimentare și ștecherul sunt uscate.

**PRECAUȚIE! Pericol pentru sănătate**

- > Aveți grijă să introduceți în frigider doar articole care pot fi răcite la temperatura selectată.
- > Curățați periodic suprafețele care pot intra în contact cu produsele alimentare și sistemele de drenaj accesibile.
- > Depozitați carnea crudă și peștele crud în recipiente adecvate în frigider, astfel încât să nu fie în contact și să nu poată picura pe alte alimente.
- > Deschiderea ușii pentru perioade lungi de timp poate duce la o creștere semnificativă a temperaturii în compartimentele frigiderului. Dacă frigiderul este lăsat gol pentru perioade lungi:
  - Opriți frigiderul.
  - Dezghețați frigiderul.
  - Curățați și uscați frigiderul.

- Lăsați ușa deschisă pentru a preveni formarea mucegaiului în frigider. Puneți ușa frigiderului și ușa congelatorului în poziția de iarnă, dacă acesta este disponibilă.



#### **PRECAUȚIE! Risc de vătămare**

- > Nu introduceți degetele în balama.
- > Închideți și blocați ușa frigiderului înainte de a porni în călătorie.
- > Sistemul de răcire din spatele frigiderului se încinge în timpul funcționării. Dacă frigiderul este prevăzut cu grile de aerisire, protejați-vă de contactul cu componente încinse atunci când scoateți grilele de aerisire.
- > Ușa dispozitivului sau ușa congelatorului se pot detașa complet de dispozitiv, dacă sunt folosite incorect. Închideți ușile împingând până când auziți un clic în partea de sus și în partea de jos.



#### **ATENȚIE! Pericol de defectare**

- > Nu vă sprijiniți de ușa deschisă a frigiderului.
- > Depozitați obiecte grele, cum ar fi sticle sau cutii, doar pe ușa frigiderului, în compartimentul pentru legume sau pe raftul inferior.
- > Dacă frigiderul dispune de o ușă dublă și ușa nu este blocată corect pe partea opusă, împingeți pe partea respectivă în partea de sus și în partea de jos, până când se blochează pe poziție.
- > **Pericol de supraîncălzire!** Aveți în vedere ca, căldura formată în timpul funcționării să poată fi disipată suficient. Asigurați-vă că frigiderul este suficient de departe de pereți și de alte obiecte, astfel încât aerul să poată circula.
- > Nu umpleți interiorul cu gheață sau lichid.
- > Protejați frigiderul și cablurile împotriva căldurii și umidității.
- > Nu scoateți niciodată ștecherul din priză ținând de cablu.



#### **INDICAȚIE**

- > Dacă sistemul de gestionare al bateriei vehiculului dvs. oprește frigiderul pentru a proteja bateria, contactați producătorul vehiculului.
- > Pentru temperaturi ambiante de 15 °C ... 25 °C selectați setarea de temperatură medie.
- > Dacă ușa nu este blocată corect pe partea opusă, împingeți pe partea respectivă în partea de sus și în partea de jos, până când se blochează pe poziție.
- > Pentru a evita risipa de alimente, rețineți următoarele:
  - Mențineți fluctuația temperaturii cât mai scăzută posibil. Deschideți congelatorul doar atunci când trebuie și pentru cât timp este necesar. Păstrați produsele alimentare în așa fel încât aerul să poată circula bine.
  - Aveți grijă să introduceți în frigider doar articole care pot fi răcite la temperatura selectată.
  - Depozitați diferite tipuri de alimente așa cum este indicat în figuri.
  - Dacă temperatura poate fi reglată: Reglați temperatura în conformitate cu cantitatea și tipul produselor alimentare.
  - Alimentele pot absorbi sau elibera cu ușurință mirosul sau gustul. Depozitați întotdeauna alimentele acoperite sau în recipiente/caserole închise.

## **4 Domeniul de livrare**

| Numărul | Denumire                  |
|---------|---------------------------|
| 1       | Frigider cu compresor     |
| 1       | Cot de scurgere           |
| 1       | Manual scurt de utilizare |

| Numărul | Denumire                          |
|---------|-----------------------------------|
| 1       | Manual de utilizare (doar online) |
| 1       | Manual de instalare               |

## 5 Accesorii

Disponibile ca și accesorii (nu sunt conținute în setul de livrare):

| Denumire   | Nr. art.   |
|--|------------|
| Balama glisantă  | 9620012939 |
| Cadru de fixare inclusiv cadru inferior  |            |
| • NRX0035, NRX0050   | 9620012877 |
| • NRX0060  | 9620012881 |
| • NRX0080  | 9620012882 |
| • NRX0115  | 9620012878 |
| • NRX0130  | 9620012876 |
| Cadru de fixare inclusiv cadru inferior (negru)                                |            |
| • NRX0035, NRX0050   | 9620012874 |
| • NRX0060  | 9620012875 |
| • NRX0080  | 9620012880 |
| • NRX0115  | 9620012879 |
| • NRX0130  | 9620012883 |
| Raft de înlocuire pentru demontarea compartimentului pentru alimente congelate |            |
| • NRX0035, NRX0050   | 9620012933 |
| • NRX0060  | 9620012938 |
| • NRX0080  | 9620012935 |
| • NRX0115, NRX0130   | 9620012932 |
| Compartiment pentru alimente congelate   |            |
| • NRX0035, NRX0050   | 9620012931 |
| • NRX0060  | 9620012936 |

| Denumire           | Nr. art.                           |
|--------------------|------------------------------------|
| • NRX0080          | 9620012934                         |
| • NRX0115, NRX0130 | 9620012937                         |
| Adaptor c.a.-c.c.  | 9620013449 (EU)<br>9620013450 (UK) |

## 6 Domeniul de utilizare

Frigiderul este destinat pentru:

- Instalare în rulote, autorulote, ambarcațiuni și camioane
- Răcirea și depozitarea alimentelor
- **Numai NRX0035-0130(C/S):** Depozitarea alimentelor precongolate
- Folosire la interior

Acest frigider nu este destinat utilizării în aplicații comerciale, casnice sau în magazine.

Frigiderul **nu** este adecvat pentru:

- depozitarea medicamentelor
- depozitarea substanțelor corozive sau a substanțelor care conțin solvenți
- congelarea rapidă a alimentelor
- Folosire la exterior

Când este utilizat în ambarcațiuni, dispozitivul trebuie instalat în încăperi de zi și nu pe punte deschisă.

Compartimentul pentru alimente congelate este adecvat depozitării alimentelor precongolate, depozitării sau preparării înghețatei și prepararea cuburilor de gheață. Nu este adecvat congelării alimentelor care nu au fost congelate anterior.

Frigiderul este destinat instalării într-un corp de dulap sau într-o nișă de montare.

Performanța optimă de răcire este asigurată la temperaturi ambiante între 16 °C ... 43 °C și la o umiditate maximă de 90 % .

Acest produs este potrivit numai pentru scopul și utilizarea prevăzute în conformitate cu aceste instrucțiuni.

Acest manual oferă informații necesare pentru instalarea și/sau utilizarea corectă a produsului. Instalarea defectuoasă și/sau utilizarea sau întreținerea necorespunzătoare vor avea ca rezultat performanțe nesatisfăcătoare și o posibilă defectare.

Producătorul nu își asumă nicio răspundere pentru orice vătămare sau deteriorare a produsului - rezultate din:

- Instalarea, asamblarea sau conectarea incorectă, inclusiv supratensiunea
- Întreținerea sau utilizarea incorectă a pieselor de schimb, altele decât piesele de schimb originale furnizate de producător
- Modificări aduse produsului fără aprobarea explicită din partea producătorului
- Utilizarea în alte scopuri decât cele descrise în manual

Dometic își rezervă dreptul de a modifica aspectul și specificațiile produsului.

## 7 Descriere tehnică

Frigiderul este un frigider cu compresor.

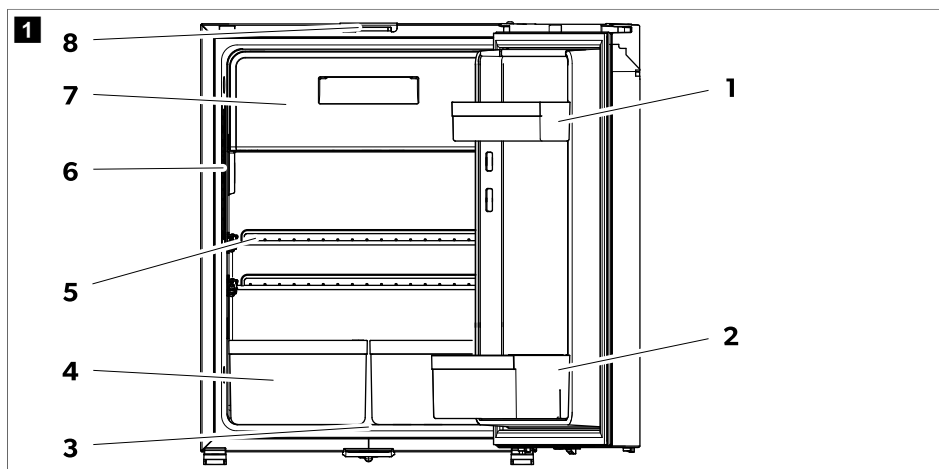
Frigiderul este proiectat să funcționeze cu diferite tipuri de alimentare și poate funcționa cu o sursă de c.c sau c.a.

NRX0035-0130(C/S): Modelul este echipat din fabrică cu un compartiment pentru alimente congelate, care poate fi demontat și reînstatat.

Ușa frigiderului are un mecanism de blocare pentru protecție în timpul transportului.

Toate materialele folosite în frigider sunt compatibile pentru a utilizare cu produse alimentare.

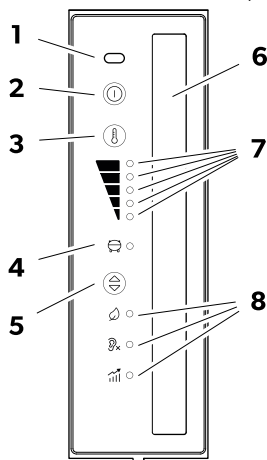
### Descrierea dispozitivului



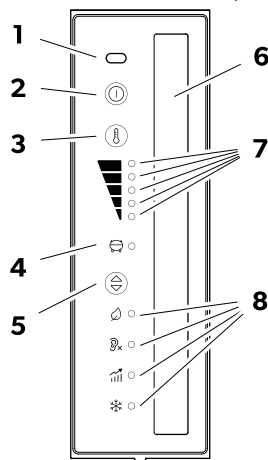
| Poz. | Explicare  |
|------|--|
| 1    | Raft de ușă (numai NRX0035-0130[C/S], NRX0080-0130[E])             |
| 2    | Raft sticle  |
| 3    | Scurgere condens   |
| 4    | Sertar fructe și legume (numai NRX0035-0130[C/S])                  |
| 5    | Raft corp  |
| 6    | Panou de comandă cu afișaj   |
| 7    | Compartiment pentru alimente congelate (numai NRX0035 - 0130[C/S]) |
| 8    | Încuietoare pentru aerisire  |


## Elemente de comandă și afișare

## 2 NRX0035 – 0130 (E)



## NRX0035 – 0130 (C/S)



| Poz. | Explicare  |
|------|--|
| 1    | Senzor IR de deschidere a ușii   |
| 2    | ⏻ Buton PORNIT/OPRIT   |
| 3    | 🌡️ Buton de setare a nivelului de răcire   |
| 4    | LED indicator pentru compresor și erori  |
| 5    | 🔄 Buton mod de funcționare   |
| 6    | Iluminat interior  |
| 7    | LED-uri indicatoare pentru nivelul de răcire<br> <ul style="list-style-type: none"> <li>■ Nivel de răcire 5</li> <li>■ Nivel de răcire 4</li> <li>■ Nivel de răcire 3</li> <li>■ Nivel de răcire 2</li> <li>■ Nivel de răcire 1</li> </ul> |
| 8    | LED-uri indicatoare pentru modul de funcționare  |





## LED indicator pentru compresor și erori

LED-ul indicator pentru compresor și erori afișează starea de funcționare a compresorului sau indică o eroare:

| Color                    | Denumire  |
|--------------------------|---|
| Alb                      | Compresor pornit  |
| Portocaliu               | Compresor oprit   |
| Portocaliu (intermitent) | Eroare (consultați capitolul Indicarea erorilor pagină 511) |

## LED-uri indicatoare pentru modul de funcționare

LED-urile indicatoare pentru modul de funcționare afișează următoarele opțiuni de setare:

| Simbol  | Denumire   |
|---|--|
|  | Mod ECO:<br>Funcționare cu consum de energie redus.<br>Nivel de răcire 1 – 3   |
|  | Modul SILENȚIOS:<br>Funcționare cu nivel de zgomot redus.<br>Nivel de răcire 1 – 4   |
|  | Modul PERFORMANȚĂ:<br>Nivel de răcire 1 – 5  |
|  | Mod CONGELATOR (numai NRX0035-0130[C/S]):<br>Funcționare cu compartimentul pentru alimente congelate demontat. Răcește tot interiorul frigiderului la -6 °C. |

## 8 Utilizarea

### 8.1 Înainte de prima utilizare

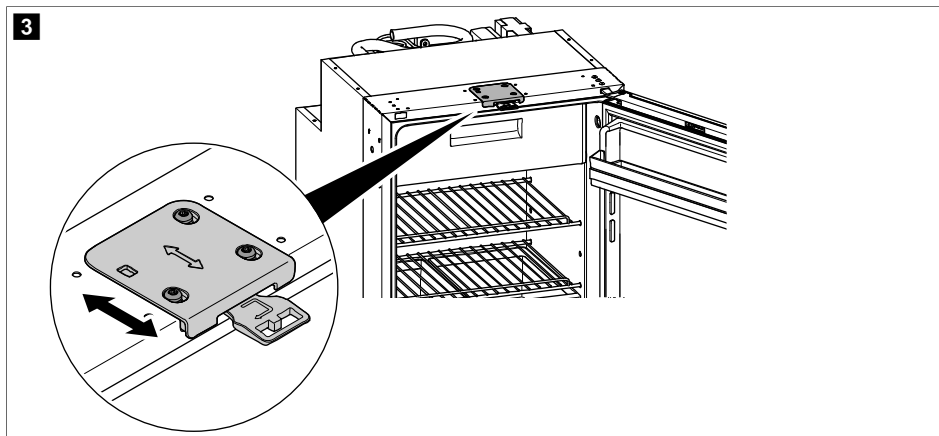


#### INDICAȚIE

- > Nu depozitați produse în frigider în primele 4 ore după pornire.
- > La folosirea frigiderului pentru prima dată, poate exista un ușor miros, care va dispărea după câteva ore. Aerisiți bine spațiul de locuit.
- > Capacitatea de răcire poate fi influențată de:
  - Temperatura ambiantă (de ex., când vehiculul este expus luminii directe a soarelui)
  - Cantitatea de alimente care trebuie răcite
  - Frecvența deschiderii ușii
- > Curățați interiorul frigiderului din motive de igienă (consultați Curățarea și întreținerea pagină 505).
- > Parcați vehiculul pe un teren plan, în special când porniți și umpleți frigiderul înainte de a porni în călătorie.

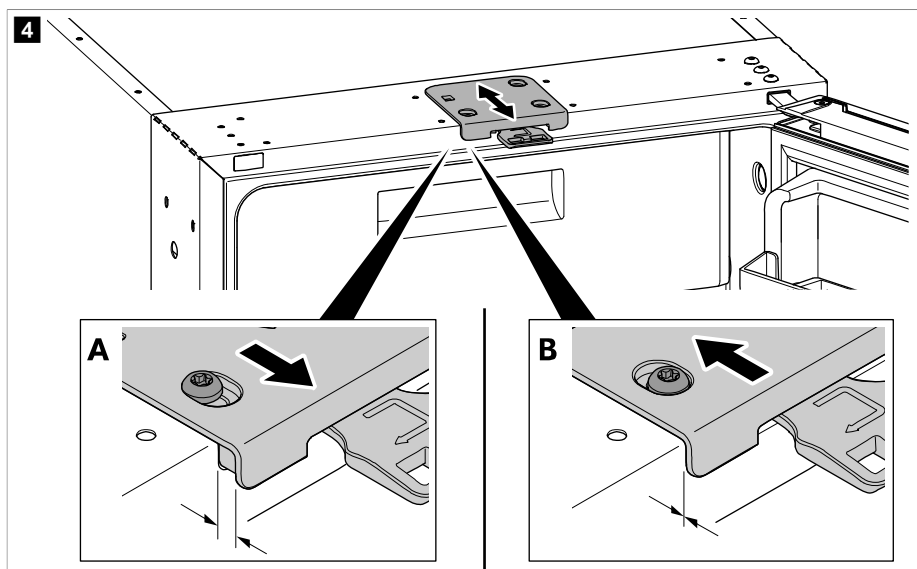
#### 8.1.1 Reglarea încuietorii

Încuietoarea din partea de sus a frigiderului poate fi ajustată pentru a regla lățimea de închidere a ușii.



**i** **INDICAȚIE** Verificați dacă este montată încuietoarea reglabilă. Dacă este necesar, comandați încuietoarea reglabilă ([dometic.com](http://dometic.com)) și înlocuiți încuietoarea fixă cu încuietoarea reglabilă.

> Încuietoarea este setată la poziția **A** în fabrică. Deplasați încuietoarea la poziția **B**.



**i** **INDICAȚIE** Dacă încuietoarea este în poziția **B**, asigurați-vă că ușa se blochează corect la închidere (consultați capitolul Închiderea și asigurarea ușii frigiderului pagină 500).



## 8.2 Informații cu privire la depozitarea alimentelor



### PRECAUȚIE! Pericol pentru sănătate

Dacă frigiderul este expus unei temperaturi ambiante sub 10 °C pentru o perioadă prelungită, nu mai poate fi garantată reglarea temperaturii compartimentului pentru alimente congelate. Acest lucru poate duce la creșterea temperaturii compartimentului pentru alimente congelate și la decongelarea alimentelor depozitate.

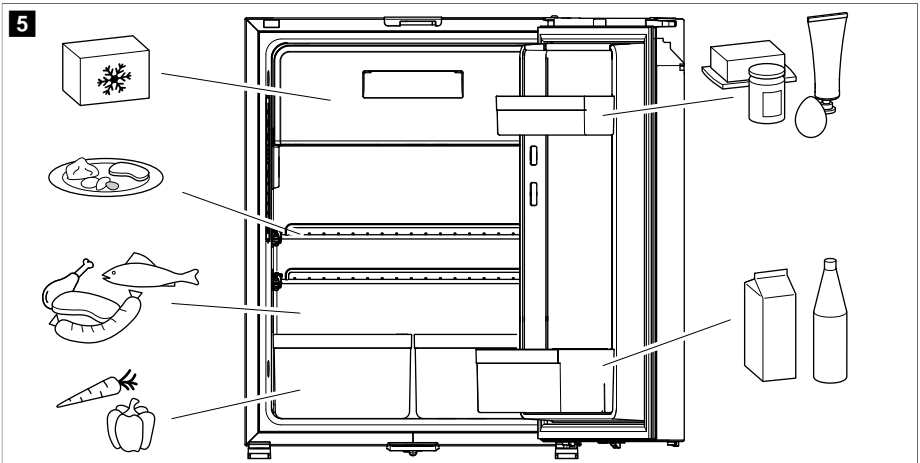


### ATENȚIE! Pericol de defectare

- > Respectați sarcina maximă pe raft de ușă și pe ușă atunci când umpleți frigiderul (consultați Date tehnice pagină 512).
- > Nu păstrați băuturi carbogazoase în compartimentul pentru alimente congelate.

Pentru a evita risipa de alimente, rețineți următoarele:

- Mențineți fluctuația temperaturii cât mai scăzută posibil. Deschideți frigiderul doar când este necesar și țineți-l deschis doar cât este necesar. Păstrați produsele alimentare în așa fel încât aerul să poată circula bine.
- Reglați temperatura în conformitate cu cantitatea și tipul produselor alimentare.
- Depozitați diferite tipuri de alimente așa cum este indicat în figuri.
- Alimentele pot absorbi sau elibera cu ușurință mirosul sau gustul. Depozitați întotdeauna alimentele acoperite sau în recipiente/caserole închise.
- > Depozitați alimentele după cum este indicat.



## 8.3 Economisirea energiei

- Deschideți frigiderul doar când este necesar și țineți-l deschis doar cât este necesar.
- Lăsați alimentele calde să se răcească mai întâi, înainte de a le pune în dispozitiv pentru a le păstra la rece.
- Dezghețați frigiderul imediat ce se formează un strat de gheață.
- Evitați setările de temperatură scăzute inutile.
- Pentru un consum optim de energie, poziționați rafturile și sertarele în funcție de poziția lor la livrare.
- În mod regulat, asigurați-vă că garnitura ușii se potrivește corect.
- Curățați praful și murdăria de pe condensator la intervale regulate.

## 8.4 Folosirea ușii frigiderului



### PRECAUȚIE! Risc de vătămare

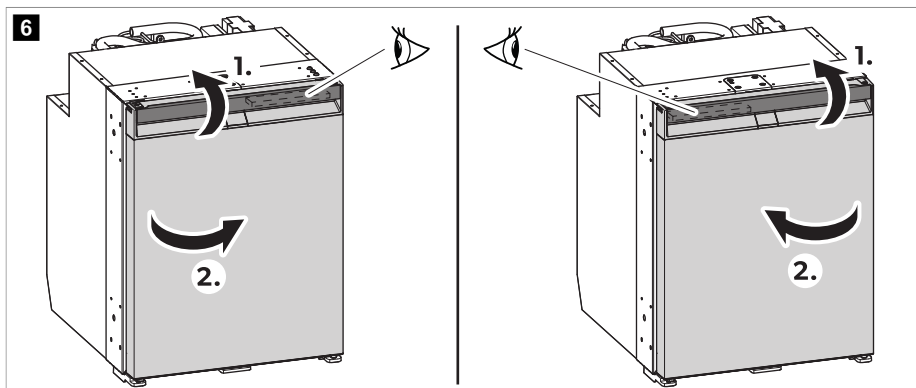
Ușa frigiderului sau ușa compartimentului pentru alimente congelate se pot detașa complet de dispozitiv, dacă sunt folosite incorect.

### 8.4.1 Deschiderea ușii frigiderului



**INDICAȚIE** Asigurați-vă că trageți de mâner pe partea opusă opritorului ușii. Observați poziția respectivă a glisorului. Consultați manualul de instalare relevant.

> Pentru a deschide ușa frigiderului, procedați după cum este indicat.



### 8.4.2 Închiderea și asigurarea ușii frigiderului



### PRECAUȚIE! Risc de vătămare

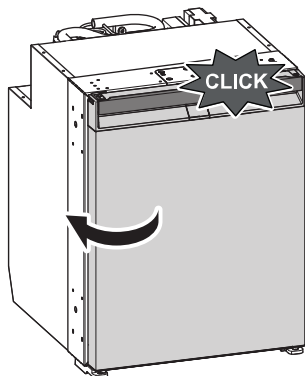
Dacă ușa nu este asigurată corect, împingeți cu atenție în partea de sus și de jos a ușii până când se fixează pe poziție.



**INDICAȚIE** Ușa frigiderului are un mecanism de blocare, care este folosit și pentru protecție în timpul transportului.

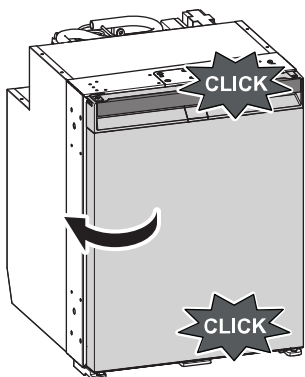
- > NRX0035–0130(E): Închideți ușa împingând până când auziți clar un clic în partea de sus.

### 7 NRX0035 – 0130 (E)



- > NRX0035–0130(C/S): Închideți ușa împingând până când auziți clar un clic în partea de sus și în partea de jos.

### 8 NRX0035 – 0130 (C/S)





- ✓ Ușa este acum închisă și asigurată.

## 8.5 Pornirea și oprirea




**INDICAȚIE** Oprii întotdeauna frigiderul dacă nu va fi folosit pentru o perioadă îndelungată.

- > Pentru a porni, apăsați și țineți apăsat butonul  timp de cel puțin 2 s .
- ✓ Frigiderul pornește cu ultimul nivel de răcire și ultimul mod de funcționare selectate.
- > Pentru a opri, apăsați și țineți apăsat butonul  timp de cel puțin 2 s .

## 8.6 Setarea modurilor de funcționare



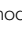
**INDICAȚIE** Când utilizați modul ECO, PERFORMANȚĂ sau CONGELATOR, sistemul rămâne în acest mod până la alte modificări.

- > Pentru a seta modul de funcționare, apăsați repetat butonul  până când se aprinde LED-ul indicator al modului de funcționare dorit.

Sunt disponibile următoarele moduri de funcționare:

### Folosirea modului ECO

Cu modul ECO activat, frigiderul funcționează cu consum de energie redus la nivelurile de răcire 1-3.

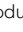
- ✓ LED-ul indicator al modului de funcționare pentru modul ECO () și LED-ul indicator al nivelului de răcire selectat se aprind.

### Folosirea modului SILENȚIOS

Cu modul SILENȚIOS activat, frigiderul funcționează cu nivel de zgomot redus la nivelurile de răcire 1-4.



#### INDICAȚIE

- > Modul SILENȚIOS nu este disponibil dacă frigiderul funcționează în modul CONGELATOR.
- > La folosirea modului SILENȚIOS, frigiderul va rămâne în acest mod timp de 8 h, apoi va reveni la modul selectat anterior (modul ECO sau PERFORMANȚĂ).
- ✓ LED-ul indicator al modului de funcționare pentru modul QUIET () și LED-ul indicator al nivelului de răcire selectat se aprind.

### Folosirea modului PERFORMANȚĂ

Cu modul PERFORMANȚĂ activat, frigiderul funcționează în modul standard la nivelurile de răcire 1-5.

- ✓ LED-ul indicator al modului de funcționare pentru modul PERFORMANȚĂ () și LED-ul indicator al nivelului de răcire selectat se aprind.

### Folosirea modului CONGELATOR

Cu modul CONGELATOR activat, tot interiorul frigiderului este răcit la  $-6^{\circ}\text{C}$ .



**INDICAȚIE** Demontați compartimentul pentru alimente congelate pentru a utiliza modul CONGELATOR.

- ✓ LED-ul indicator pentru modul de funcționare CONGELATOR () și toate LED-urile indicatoare pentru nivelul de răcire se aprind permanent.

## 8.7 Setarea nivelului de răcire

- > Pentru a seta nivelul de răcire, apăsați repetat butonul  până când ajungeți la nivelul de răcire dorit.

## 8.8 Repoziționarea rafturilor



### AVERTIZARE! Risc de blocare a copilului

NRX0060–0130: Toate rafturile sunt fixate pe poziție, pentru a împiedica urcarea în frigider a copiilor.

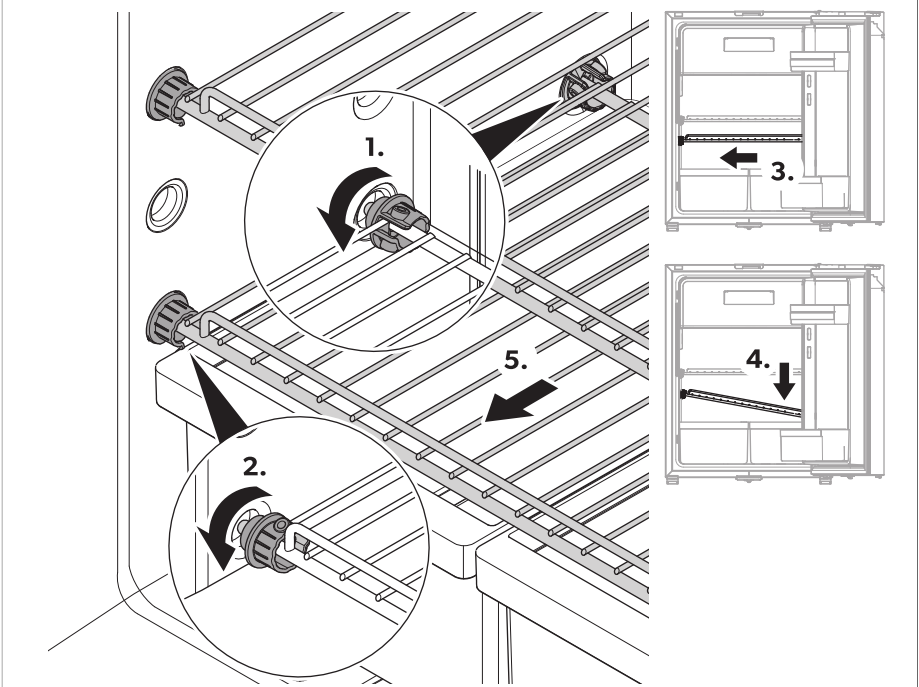
- > Scoateți rafturile numai în scopul curățării.
- > Montați la loc rafturile și fixați-le pe poziție.



**INDICAȚIE** Demontați compartimentul pentru alimente congelate înainte de a repoziționa rafturile, pentru acces mai ușor la butoanele din spate ale rafturilor.

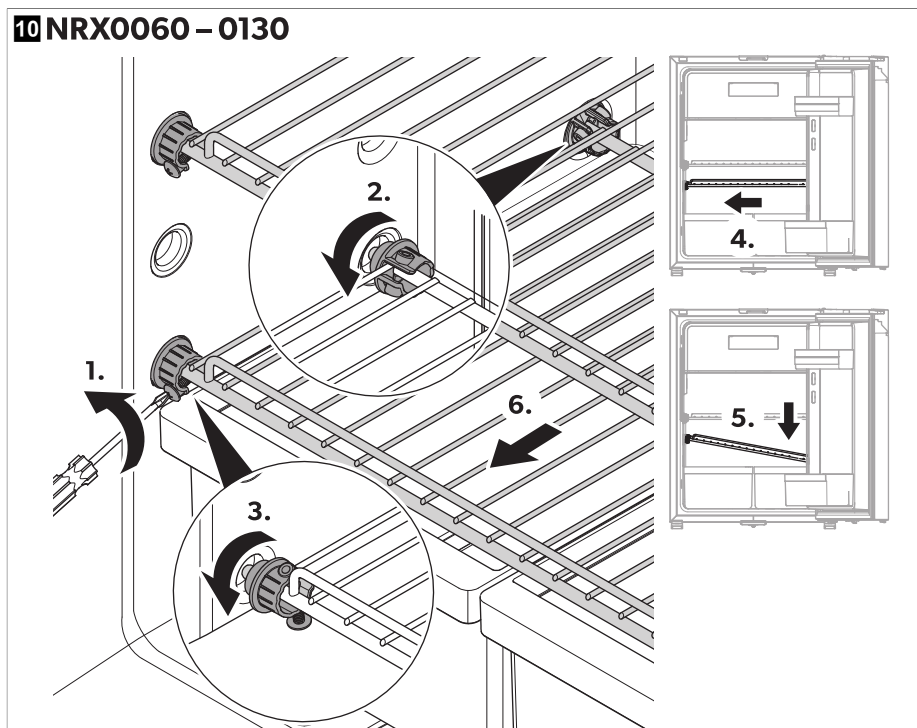
- > **NRX0035-0050:** Pentru a repoziționa rafturile după cum doriți, procedați după cum este indicat.

### 9 NRX0035 – 0050



- > **NRX0035-0050:** Pentru a re poziționa rafturile după cum doriți, procedați după cum este indicat.

## 10 NRX0060 – 0130



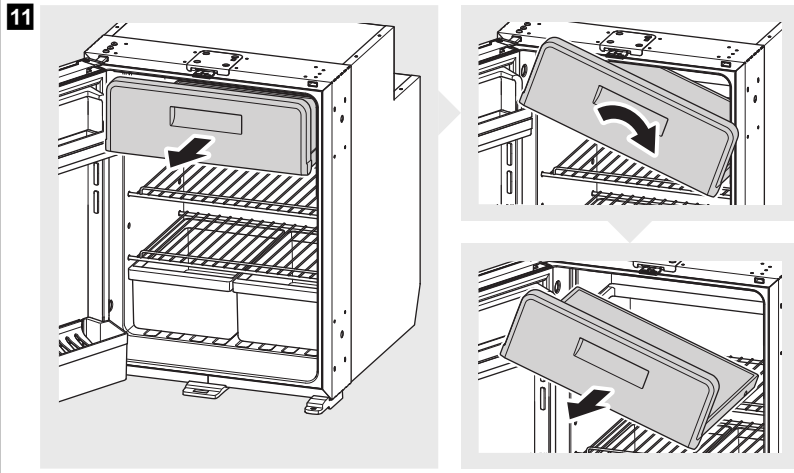
### 8.9 Demontarea compartimentului pentru alimente congelate



#### ATENȚIE! Pericol de defectare

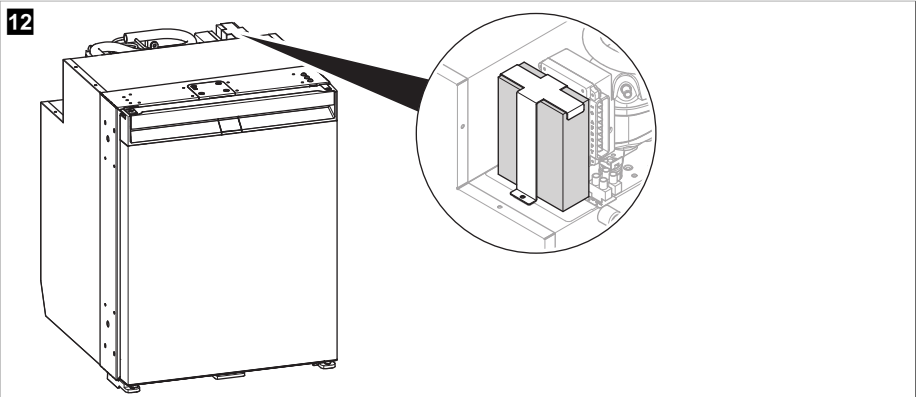
- > Închideți ușa compartimentului pentru alimente congelate pentru a demonta compartimentul pentru alimente congelate.
- > Țineți compartimentul pentru alimente congelate de partea de jos. Nu trageți de ușa compartimentului pentru alimente congelate.
- > Depozitați compartimentul pentru alimente congelate într-un loc uscat și sigur.

- > Pentru a demonta compartimentul pentru alimente congelate, procedați după cum este indicat.



## 8.10 Instalarea adaptorului c.a.-c.c.

- > Pentru a instala adaptorul c.a.-c.c. (accesorii), procedați după cum este indicat.



## 9 Curățarea și întreținerea



### AVERTIZARE! Pericol de electrocutare

Deconectați întotdeauna frigiderul de la sursa de alimentare înainte de curățare și întreținere.



### ATENȚIE! Pericol de defectare

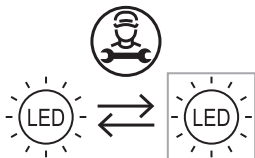
- > Nu folosiți agenți de curățare abrazivi sau obiecte dure în timpul curățării.
- > Nu utilizați niciodată unelte dure sau ascuțite pentru a îndepărta gheața sau pentru a elibera obiecte înghețate.

- > Asigurați-vă că nu pătrunde apă pe la garnituri. Acest lucru poate deteriora componentele electronice.



#### **ATENȚIE! Pericol de defectare**

Lampa poate fi înlocuită doar de producător, de un agent de service sau de o persoană calificată pentru a evita pericolele.



- > Curățați interiorul și exteriorul frigiderului în mod regulat cu o cârpă umedă și imediat ce se murdărește. Ștergeți frigiderul cu o cârpă uscată după curățare.
- > Verificați periodic scurgerea condensului.  
Curățați scurgerea condensului atunci când este necesar. Dacă este blocat, condensul se acumulează pe partea inferioară a frigiderului.
- > Curățați praful și murdăria de pe condensator în mod regulat cu o cârpă umedă.

#### **Circuitul frigorific**

Circuitul frigorific nu necesită întreținere.

#### **Dezghețarea frigiderului**



#### **ATENȚIE! Pericol de defectare**

Nu folosiți unelte mecanice sau alte mijloace pentru a accelera procesul de dezghețare.

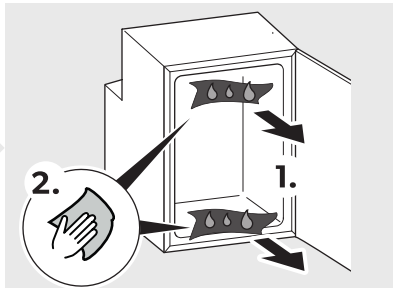
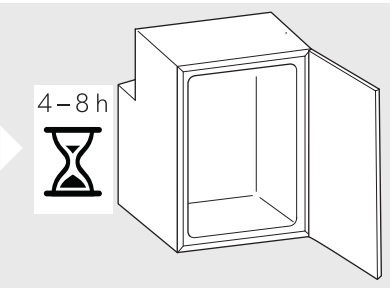
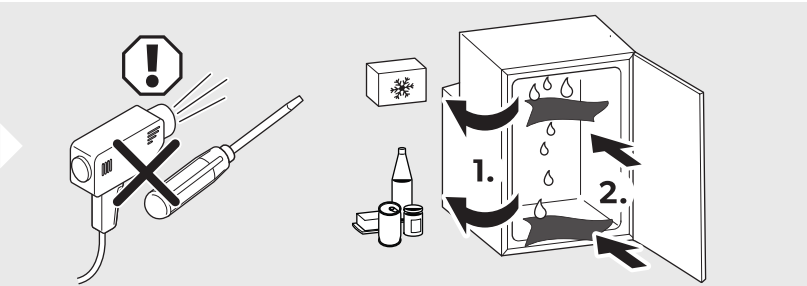
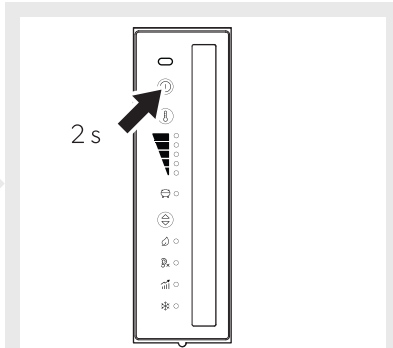
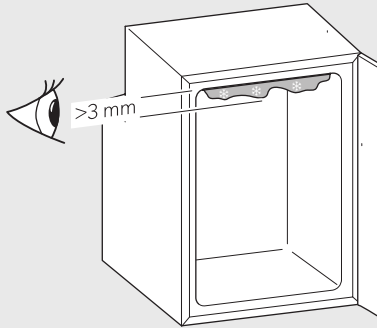


**INDICAȚIE** În timp, se formează chiciură pe pereții posteriori din interiorul frigiderului. Dacă acest strat de chiciură este de aproximativ 3 mm grosime, dezghețați frigiderul.



> Pentru a dezgheța frigiderul, procedați după cum este indicat.

13



### Amplasarea ușii frigiderului în poziția de depozitare



#### PRECAUȚIE! Risc de vătămare

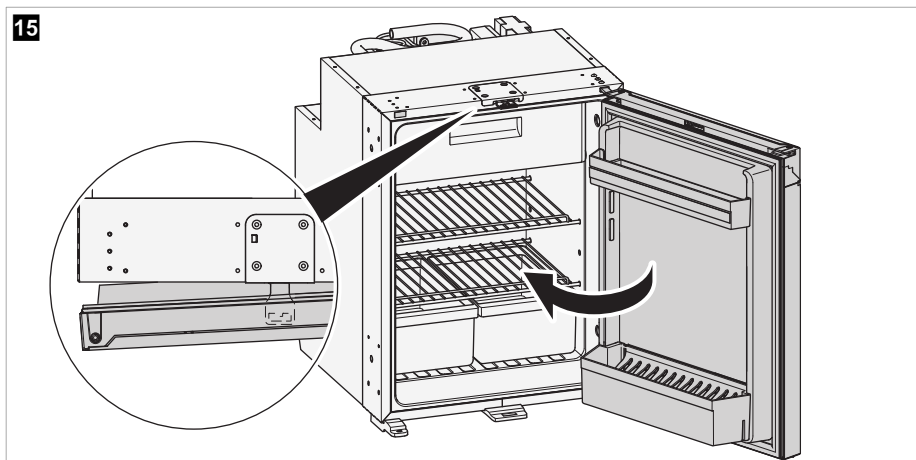
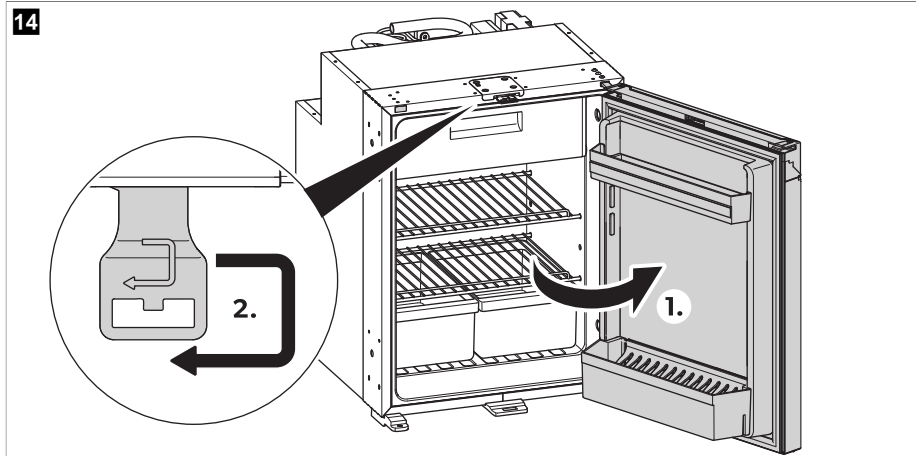
Poziția de depozitare nu trebuie folosită în timpul conducerii.



**INDICAȚIE** Puneți ușa frigiderului în poziția de depozitare dacă nu veți folosi dispozitivul o perioadă mai lungă. Acest lucru previne formarea mucegaiului.

> Dezghețați frigiderul (consultați Dezghețarea frigiderului pagină 506).

> Puneți ușa frigiderului în poziția de depozitare după cum este indicat.

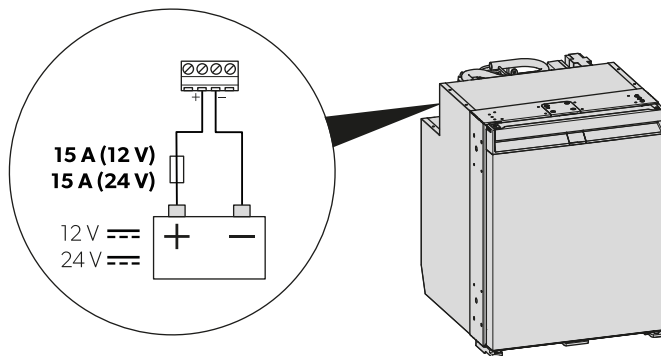



## 10 Remedierea defecțiunilor



**INDICAȚIE** Pentru a exploata în siguranță unități de consum de 12 V în rulotă în timpul conducerii, trebuie să vă asigurați că vehiculul tractor asigură o tensiune suficientă. La unele vehicule, sistemul de gestionare a bateriei ar putea opri automat unitățile de consum pentru a proteja bateria. Solicitați mai multe informații din partea producătorului vehiculului dvs.

16



| Avarie  | Cauză posibilă   | Soluție  |
|---|--|--|
| Frigiderul nu funcționează.   | Siguranța din cablul c.c. este defectă.  | > Înlocuiți siguranța (  fig. 16 pagină 509).   |
|   | Siguranța autovehiculului este arsă.   | > Înlocuiți siguranța vehiculului.<br>Consultați manualul de utilizare al vehiculului dvs.   |
|   | Bateria vehiculului este descărcată.   | > Testați bateria și încărcați-o.  |
|   | Contactul nu este pus.   | > Puneți contactul.  |
|   | Temperatura compresorului este prea scăzută (< 0 °C).  | > Închideți/acoperiți complet toate grilele de aerisire cu material izolator.  |
|   | Frigiderul se oprește automat dacă tensiunea este insuficientă.<br>(Tensiune de oprire: 10,4 V $\Rightarrow$ ) | > Încărcați bateria. Frigiderul va porni din nou automat.<br>(Tensiune de pornire: 11,7 V $\Rightarrow$ )  |
| Răcire deficitară, creștere a temperaturii interioare. Compresorul funcționează continuu. | Aerisirea din jurul unității de răcire nu este suficientă.   | > Asigurați-vă că grila de aerisire nu este obstrucționată.<br>> Mutați frigiderul în alt loc.   |
|   | Peretii interiori sunt acoperiți de gheață.  | > Verificați dacă ușa frigiderului se închide corespunzător.<br>> Asigurați-vă că garnitura frigiderului se potrivește corect și nu este deteriorată.<br>> Dezghețați frigiderul (consultați Dezghețarea frigiderului pagină 506). |
|   | Temperatura este setată prea ridicat.  | > Setați o temperatură mai scăzută.  |
|   | Temperatura ambiantă este prea ridicată.   | > Scoateți grila de aerisire pentru un timp, astfel încât aerul cald să poată ieși mai repede.   |
|   | Au fost puse prea multe alimente conținut în frigider.   | > Scoateți o parte dintre alimente.  |

| Avarie  | Cauză posibilă   | Soluție   |
|---|--|---|
|   | Au fost puse prea multe alimente calde concomitent în frigider.                                      | > Scoateți alimentele calde și lăsați-le să se răcească înainte de a le pune la loc.  |
|   | Frigiderul nu a funcționat foarte mult timp.   | > Verificați din nou temperatura după 4 h / 5 h .                                     |
|   | Condensatorul este murdar.   | > Curățați condensatorul (consultați capitolul Curățarea și întreținerea pagină 505). |
|   | Ventilatorul este defect.  | > Contactați un agent de service autorizat.   |
| Răcire deficitară, creștere a temperaturii interioare.<br><br>Compresorul nu funcționează des.                          | Capacitatea bateriei este epuizată.  | > Încărcați bateria.  |
| Răcire deficitară, creștere a temperaturii interioare.<br><br>Compresorul nu funcționează (conexiune baterie).          | Există o întrerupere pe conexiunea dintre baterie și sistemul electronic.                            | > Asigurați conexiunea.   |
|   | Comutatorul principal este defect (dacă este prevăzut).  | > Înlocuiți comutatorul principal.  |
|   | Siguranța suplimentară traseului de alimentare s-a ars (dacă este prevăzută).                        | > Înlocuiți siguranța traseului de alimentare.  |
|   | Tensiunea bateriei este prea scăzută.  | > Încărcați bateria.  |
|   | Capacitatea bateriei este prea mică.   | > Înlocuiți bateria.  |
|   | Cablurile sunt slăbite.<br>Contactul este deficitar (coroziune).                                     | > Asigurați conexiunea.   |
|   | Secțiunea transversală a cablului este prea mică.  | > Înlocuiți cablul.   |
|   | Compresorul este defect.   | > Contactați un agent de service autorizat.   |
| Răcire deficitară, creștere a temperaturii interioare.<br><br>Compresorul nu funcționează (conexiune la sursa de c.a.). | Cablul de conexiune de alimentare este întrerupt.  | > Asigurați conexiunea.   |
|   | Comutatorul principal este defect (dacă este prevăzut).  | > Înlocuiți comutatorul principal.  |
|   | Siguranța suplimentară traseului de alimentare s-a ars (dacă este prevăzută).                        | > Înlocuiți siguranța traseului de alimentare.  |
|   | Compresorul este defect.   | > Contactați un agent de service autorizat.   |
| Zgomote neobișnuite.  | O componentă a circuitului de agent frigorific nu se poate mișca liber (atinge peretele).            | > Îndoțiți cu grijă componenta pentru a o îndepărta de obstrucție.                    |
|   | Există un obiect străin blocat între unitatea de răcire și perete.                                   | > Îndepărtați obiectul străin.  |
|   | Zgomot la ventilator.  | > Contactați un agent de service autorizat.   |
| Ușa se deschide neintenționat în timpul deplasării (de ex., în timpul condusului).                                      | Încuietoarea este setată la poziția <b>A</b> (consultați capitolul Reglarea încuietorii pagină 497). | > Setati încuietoarea la poziția <b>B</b> .   |

| Avarie                    | Cauză posibilă   | Soluție   |
|---------------------------|--|---|
| Ușa nu se închide corect. | Încuietorea este setată la poziția <b>A</b> (consultați capitolul Reglarea încuietorii pagină 497).  | > Setati încuietorea la poziția <b>B</b> .              |
|                           | Încuietorea este setată la poziția <b>B</b> (consultați capitolul Reglarea încuietorii pagină 497), dar ușa nu este blocată corespunzător. | > Asigurați-vă că ușa se blochează corect la închidere. |

## Indicarea erorilor



### INDICAȚIE

- > Toate erorile sunt indicate de LED-ul indicator pentru erori care clipește portocaliu (consultați Elemente de comandă și afișare pagină 496). Numărul de clipiri depinde de tipul de defecțiune. Fiecare clipire durează un sfert de secundă. După secvența de clipiri, urmează o pauză. Secvența defecțiunii se repetă la fiecare patru secunde.
- > În modul ECO, PERFORMANȚĂ și CONGELATOR se aude un bip suplimentar.

| Frecvența clipirii | Eroare  | Cauză posibilă  |
|--------------------|---|---|
| 1                  | Subtensiune sau supratensiune                   | Tensiunea de alimentare este în afara intervalului setat.   |
| 2                  | Intensitate excesivă a curentului la ventilator | Sarcina ventilatorului asupra unității electronice este mai mare de 1 A.  |
| 3                  | Motorul nu pornește                             | Elicea este blocată.<br>Diferența de presiune din sistemul de răcire este prea mare.  |
| 4                  | Turație prea mică                               | Dacă sistemul de răcire este suprasolicitat, turația minimă a motorului nu poate fi menținută.  |
| 5                  | Supraîncălzire a unității electronice           | Dacă sistemul de răcire este supus unei sarcini prea mari sau dacă temperatura este setată prea ridicat, sistemul electronic se poate supraîncălzi. |
| Constant           | Erori senzor de temperatură                     | Senzorul de temperatură este defect.  |

## 11 Garanție

Se aplică termenul de garanție legal. În cazul în care produsul este defect, contactați reprezentanța producătorului din țara dvs. (consultați [dometic.com/dealer](http://dometic.com/dealer)) sau comerciantul.

Pentru operații de reparație și în baza garanției, trebuie să trimiteți și următoarele documente:

- O copie a facturii cu data cumpărării
- Un motiv de reclamație sau o descriere a defecțiunii.

Rețineți că repararea prin mijloace proprii sau reparațiile neprofesionale pot avea consecințe asupra securității și pot anula garanția.

## 12 Eliminarea



### ATENȚIE! Pericol de defecare

Izolarea dispozitivului de răcire conține ciclopentan inflamabil și necesită proceduri speciale de eliminare. Duceți dispozitivul de răcire la sfârșitul ciclului său de viață la un centru de reciclare adecvat.



Depuneți materialul de ambalare pe cât posibil în containerele corespunzătoare de reciclare. Consultați un centru local de reciclare sau un reprezentant specializat pentru detalii despre detalii cu privire la eliminarea produsului în conformitate cu reglementările aplicabile privind eliminarea. Europa: Produsul poate fi eliminat gratuit.

## 13 Date tehnice

Pentru Declarația de conformitate UE actuală pentru dispozitivul dvs., consultați pagina de produs respectivă de pe [dometic.com](http://dometic.com) sau contactați direct producătorul (consultați [dometic.com/dealer](http://dometic.com/dealer)).

Acest dispozitiv respectă Regulamentul CEE/ONU R10.

|  | NRX0035(E/C/S)           | NRX0050(E/C/S) | NRX0060(E/C/S) |
|--|--------------------------|----------------|----------------|
| Cantitatea de umplere  |                          |                |                |
| • Compartiment frigider (numai NRX0035-0130[C/S])                          | 27,3 L                   | 39,6 L         | 48,9 L         |
| • Compartiment pentru alimente congelate (numai NRX0035-0130[C/S])         | 4,4 L                    | 4,4 L          | 6,1 L          |
| • Capacitate totală  | 32 L                     | 44 L           | 55 L           |
| • Capacitate totală (cu compartimentul pentru alimente congelate demontat) | 34 L                     | 46 L           | 58 L           |
| Tensiune de racordare  | 12 / 24 V <sup>---</sup> |                |                |
| Protecție baterie de alimentare (12 V)                                     |                          |                |                |
| • Tensiune de oprire   | 10,4 V                   |                |                |
| • Tensiune de pornire  | 11,7 V                   |                |                |
| Protecție baterie de alimentare (24 V)                                     |                          |                |                |
| • Tensiune de oprire   | 22,8 V                   |                |                |
| • Tensiune de pornire  | 24,2 V                   |                |                |
| Clasă climatică  | T                        |                |                |
| Interval temperatură de depozitare:  |                          |                |                |
| • Frigider   | 0 °C ... 12 °C           |                |                |
| • Compartiment pentru alimente congelate (numai NRX0035-0130[C/S])         | -15 °C ... -5 °C         |                |                |
| • Mod congelator (numai NRX0035-0130[C/S])                                 | -6 °C                    |                |                |
| Temperatură ambientă prevăzută pentru utilizare                            | 16 °C ... 43 °C          |                |                |
| Agent frigorigen   | R134a                    |                |                |
| Cantitatea de agent frigorigen existentă                                   | 24 g                     | 26 g           | 30 g           |
| Echivalent CO <sub>2</sub>   | 0,034 t                  | 0,037 t        | 0,043 t        |

|                                  | NRX0035(E/C/S)   | NRX0050(E/C/S)            | NRX0060(E/C/S)           |
|----------------------------------|--|---------------------------|--------------------------|
| Potențial de efect de seră (GWP) | 1430   |                           |                          |
| Emisie de zgomot (EN 60704)      | 40 ... 45 dB(A)  |                           |                          |
| Dimensiuni H x l x A             | 525 × 380 × 355 mm<br>(fără compresor și distanțier)<br>525 mm × 380 mm × 480 mm<br>(cu compresor și distanțier) | 525 mm × 380 mm × 510 mm  | 525 mm × 448 mm × 537 mm |
| Greutate netă                    | E: 13,5 kg<br>C, S: 16 kg  | E: 14,5 kg<br>C, S: 17 kg | E: 16 kg<br>C, S: 17 kg  |
| Sarcina maximă                   |  |                           |                          |
| • Pe raft ușă                    | 4 kg   | 4 kg                      | 5 kg                     |
| • Pe ușă                         | E: 4 kg<br>C/S: 8 kg   | E: 4 kg<br>C/S: 8 kg      | E: 5 kg<br>C/S: 10 kg    |

|  | NRX0080(E/C/S)          | NRX0115(E/C/S) | NRX0130(E/C/S) |
|--|-------------------------|----------------|----------------|
| Cantitatea de umplere  |                         |                |                |
| • Compartiment frigider (numai NRX0035 – 0130[C/S])                        | 68,4 L                  | 104,5 L        | 118 L          |
| • Compartiment pentru alimente congelate (numai NRX0035 – 0130[C/S])       | 6,6 L                   | 8,2 L          | 8,2 L          |
| • Capacitate totală  | 75 L                    | 113 L          | 126 L          |
| • Capacitate totală (cu compartimentul pentru alimente congelate demontat) | 78 L                    | 116 L          | 130 L          |
| Tensiune de racordare  | 12 / 24 V <sup>==</sup> |                |                |
| Protecție baterie de alimentare (12 V)                                     |                         |                |                |
| • Tensiune de oprire   | 10,4 V                  |                |                |
| • Tensiune de pornire  | 11,7 V                  |                |                |
| Protecție baterie de alimentare (24 V)                                     |                         |                |                |
| • Tensiune de oprire   | 22,8 V                  |                |                |
| • Tensiune de pornire  | 24,2 V                  |                |                |
| Clasă climatică  | T                       |                |                |
| Interval de temperatură de depozitare                                      |                         |                |                |
| • Frigider   | 0 °C ... 12 °C          |                |                |

|  | <b>NRX0080(E/C/S)</b>   | <b>NRX0115(E/C/S)</b>   | <b>NRX0130(E/C/S)</b>   |
|--|-------------------------|-------------------------|-------------------------|
| <ul style="list-style-type: none"> <li>Compartiment pentru alimente congelate (numai NRX0035-0130(C/S))</li> </ul> |                         | -15 °C ... -5 °C        |                         |
| <ul style="list-style-type: none"> <li>Mod congelator (numai NRX0035-0130C/S)</li> </ul>                           |                         | -6 °C                   |                         |
| Temperatură ambientă prevăzută pentru utilizare  |                         | 16 °C ... 43 °C         |                         |
| Agent frigorigen   |                         | R134a                   |                         |
| Cantitatea de agent frigorigen existentă   | 32 g                    | 40 g                    | 40 g                    |
| Echivalent CO2   | 0,046 t                 | 0,057 t                 | 0,057 t                 |
| Potențial de efect de seră (GWP)   |                         | 1430                    |                         |
| Emisie de zgomot (EN 60704)  |                         | 40 ... 45 dB(A)         |                         |
| Dimensiuni H x l x A   | 625 × 475 × 537 mm      | 745 × 525 × 568 mm      | 812 × 525 × 568 mm      |
| Greutate netă  | C, S: 20 kg<br>E: 18 kg | C, S: 26 kg<br>E: 24 kg | C, S: 27 kg<br>E: 25 kg |
| Sarcina maximă   |                         |                         |                         |
| <ul style="list-style-type: none"> <li>Pe raft ușă</li> </ul>  | 5 kg                    | 6 kg                    | 6 kg                    |
| <ul style="list-style-type: none"> <li>Pe ușă</li> </ul>   | 10 kg                   | E: 12 kg<br>C/S: 18 kg  | E: 12 kg<br>C/S: 18 kg  |

## 14 Date tehnice

Pentru Declarația de conformitate UE actuală pentru dispozitivul dvs., consultați pagina de produs respectivă de pe [dometic.com](http://dometic.com) sau contactați direct producătorul (consultați [dometic.com/dealer](http://dometic.com/dealer)).

Acest dispozitiv respectă Regulamentul CEE/ONU R10.

|  | <b>NRX0090V</b>         |
|--|-------------------------|
| Cantitatea de umplere  |                         |
| <ul style="list-style-type: none"> <li>Compartiment frigider</li> </ul>  | 79 L                    |
| <ul style="list-style-type: none"> <li>Compartiment pentru alimente congelate</li> </ul>                                   | 8,4 L                   |
| <ul style="list-style-type: none"> <li>Capacitate totală</li> </ul>  | 87 L                    |
| <ul style="list-style-type: none"> <li>Capacitate totală (cu compartimentul pentru alimente congelate demontat)</li> </ul> | 92 L                    |
| Tensiune de racordare  | 12 / 24 V <sup>DC</sup> |
| Protecție baterie de alimentare (12 V)   |                         |
| <ul style="list-style-type: none"> <li>Tensiune de oprire</li> </ul>   | 10,4 V                  |



|   | <b>NRX0090V</b>          |
|---|--------------------------|
| • Tensiune de pornire                           | 11,7 V                   |
| Protecție baterie de alimentare (24 V)          |                          |
| • Tensiune de oprire                            | 22,8 V                   |
| • Tensiune de pornire                           | 24,2 V                   |
| Consum de energie                               | 0,35 kWh / 24 h          |
| Clasă climatică                                 | T                        |
| Interval de temperatură de depozitare           |                          |
| • Frigider                                      | 0 °C ... 15 °C           |
| • Compartiment pentru alimente congelate        | -12 °C ... -5 °C         |
| • Modul congelator                              | -5 °C ± 2 °C             |
| Temperatură ambiantă prevăzută pentru utilizare | 16 °C ... 43 °C          |
| Agent frigorigen                                | R600a                    |
| Cantitatea de agent frigorigen existentă        | 22 g                     |
| Echivalent CO <sub>2</sub>                      | 0,000 t                  |
| Potențial de efect de seră (GWP)                | 3                        |
| Poluare fonică (EN60704)                        |                          |
| • Modul PERFORMANȚĂ:                            | < 40 dB(A)               |
| • Modul SILENȚIOS                               | 37 dB(A)                 |
| Dimensiuni H x l x A                            | 821 mm × 486 mm × 480 mm |
| Greutate netă                                   | 22 kg                    |

## Български език

|    |                                    |     |
|----|------------------------------------|-----|
| 1  | Важни бележки.....                 | 516 |
| 2  | Обяснение на символите.....        | 516 |
| 3  | Инструкции за безопасност.....     | 517 |
| 4  | Обхват на доставката.....          | 520 |
| 5  | Принадлежности.....                | 520 |
| 6  | Използване по предназначение.....  | 521 |
| 7  | Техническо описание.....           | 522 |
| 8  | Работа.....                        | 524 |
| 9  | Почистване и поддръжка.....        | 532 |
| 10 | Отстраняване на неизправности..... | 535 |
| 11 | Гаранция.....                      | 539 |
| 12 | Изхвърляне.....                    | 539 |
| 13 | Технически данни.....              | 539 |
| 14 | Технически данни.....              | 542 |

## 1 Важни бележки

Моля, прочетете внимателно тези инструкции и спазвайте всички указания, напътствия и предупреждения, включени в настоящото ръководство, за да сте сигурни, че монитрите, използвате и поддържате правилно този продукт. Тези инструкции ТРЯБВА да се съхраняват с продукта.

Като използвате продукта, Вие потвърждавате, че сте прочели внимателно всички указания, напътствия и предупреждения и че разбирате и приемате да спазвате сроковете и условията, съдържащи се в тях. Вие се съгласявате да използвате този продукт само по предназначение и в съответствие с указанията, инструкциите и предупрежденията, описани в ръководството на продукта, както и в съответствие с всички приложими закони и разпоредби. Ако не прочетете и не спазвате инструкциите и предупрежденията, това може да доведе до наранявания за вас или за други хора, щети по продукта или щети по други предмети в близост до него. Това ръководство на продукта, включително указанията, инструкциите и предупрежденията и другата документация, подлежи на промяна и обновяване. За актуална информация за продукта, моля, посетете [documents.domestic.com](http://documents.domestic.com).

## 2 Обяснение на символите

Сигналната дума идентифицира съобщенията за безопасност и за материални щети, както и степента или нивото на сериозност на опасността.



### ОПАСНОСТ!

Показва опасна ситуация която, ако не бъде избегната, ще доведе до смърт или тежко нараняване.



### ПРЕДУПРЕЖДЕНИЕ!

Показва опасна ситуация която, ако не бъде избегната, може да доведе до смърт или тежко нараняване.



### ВНИМАНИЕ!

Показва опасна ситуация която, ако не бъде избегната, може да доведе до леко или средно нараняване.



### ВНИМАНИЕ!

Показва ситуация която, ако не бъде избегната, ще доведе до щети по имуществото.



**УКАЗАНИЕ** Допълнителна информация за боравенето с продукта.

## 3 Инструкции за безопасност

### Обща безопасност



#### **ПРЕДУПРЕЖДЕНИЕ! Опасност от електрически удар**

- > Монтирането и отстраняването на хладилника може да се извършва само от квалифициран персонал.
- > Монтажът в умивални и зони, изложени на вода, трябва да се извърши от квалифициран техник.
- > Ако монтирате хладилника под навес или в подобна среда, уверете се, че той е защитен от дъжд и пръски вода.
- > Не работете с хладилника, ако е видимо повреден.
- > Този хладилник може да бъде ремонтиран само от квалифициран персонал. Неправилен ремонт може да доведе до значителни опасности или повреда на хладилника.
- > Ако хранващият кабел на хладилника е повреден, той трябва да бъде сменен от производителя, отдела за обслужване на клиенти или друго квалифицирано лице, за да се предотвратят опасности.
- > Когато разполагате хладилника се уверете, че хранващият кабел не е прищипан или увреден.
- > Не поставяйте разклонители или подвижни хранвания към задната част на хладилника.
- > Не пипайте открити кабели с голи ръце.
- > Свързвайте уреда към електрически контакти, които осигуряват правилно свързване, особено когато уредът трябва да бъде заземен.
- > Ако устройството се хранва от електрическата мрежа, уверете се, че хранването има прекъсвач с остаъчен ток (RCCB) или прекъсвач на веригата за заземяване (GFCI). Монтажът трябва да се извърши в съответствие с всички приложими разпоредби, особено в потенциално влажни зони.



#### **ПРЕДУПРЕЖДЕНИЕ! Опасност от пожар**

- > Контурът на хладилния агент съдържа малко количество екологичен, охлаждащ агент. Той не уврежда озоновия слой и не увеличава парниковия ефект. Но изтичащ охлаждащ агент може да се запали.
- > Не използвайте и не съхранявайте хладилника в затворени пространства с минимален или никакъв въздушен поток.
- > Поддържайте монтажната ниша за хладилника свободна от всякакви електрически компоненти и източници на светлина, които по време на нормална или необичайна работа произвеждат искри или дъги (т.е. релета или кутии за предпазители).
- > Изолацията на хладилника съдържа запалим циклопентан и изисква специална процедура за извървяне. След края на експлоатационния му живот, изпратете хладилника в подходящо предприятие за рециклиране.



#### **ПРЕДУПРЕЖДЕНИЕ! Опасност от експлозия**

Не съхранявайте в хладилника взривни вещества, като например аерозоли със запалим втечен газ.



#### **ПРЕДУПРЕЖДЕНИЕ! Опасност за здравето**

- > Този хладилник може да се използва от деца на 8 повече години и лица с намалени физически, сензорни или умствени способности, или с липса на опит и знания, ако са под надзор или са получили инструкции за безопасното използване на хладилника и разбират евентуалните опасности.
- > На деца от 3 до 8 години е позволено да поставят и вземат продукти от хладилника.
- > Почистване и поддръжка не трябва да се извършва от деца без наблюдение.
- > Децата трябва да бъдат наблюдавани, за да се гарантира, че те не играят с хладилника.



**ПРЕДУПРЕЖДЕНИЕ! Риск от заклещване на дете**

- > Уверете се, че рафтовете са монтирани и закрепени, така че в хладилника да не могат да се заключат деца.
- > Преди да изхвърлите Вашия стар хладилник:
  - Демонтирайте чекмеджетата.
  - Оставете рафтовете в хладилника, така че в него да не могат да влязат деца.
- > Свалете вратите.



**ВНИМАНИЕ! Опасност за здравето**

- > За да се избегнат опасности, свързани с нестабилност на хладилника, той трябва да бъде закрепен според инструкциите за инсталиране.
- > Внимавайте отворите за вентилация – в хладилника, рамката му или вградената структура – да бъдат свободни.
- > Не използвайте механични инструменти или други средства, различни от препоръчаните от производителя, за да ускорите процеса на размразяване.
- > При никакви обстоятелства не отваряйте и не увреждайте охлаждащата система.
- > Не използвайте електрически уреди вътре в хладилника, освен ако са препоръчани от производителя за тази цел.



**ВНИМАНИЕ! Риск от нараняване**

- > Не използвайте и не съхранявайте запалими материали във или близо до този хладилник.
- > Не поставяйте предмети върху или до този хладилник.
- > Не модифицирайте този хладилник.



**ВНИМАНИЕ! Опасност от повреда**

- > Изберете работа с постояннотоково захранване само ако двигателят на превозното средство работи и осигурява достатъчно напрежение или ако използвате монитор на акумулатора.
- > Ако има такава, поддържайте тръбата за оттичане на кондензата чиста по всяко време.
- > Ако хладилникът има вентилационни решетки, не използвайте почистващо устройство с високо налягане близо до вентилационната решетка, когато почиствате превозното средство.
- > Хладилникът не трябва да се излага на дъжд.
- > Никога не изваждайте щепсела от контакта чрез свързващия кабел.

**Безопасна работа с хладилника**



**ОПАСНОСТ! Опасност от електрически удар**

Преди да включите хладилника, се уверете, че захранващата линия и щепселът са сухи.



**ВНИМАНИЕ! Опасност за здравето**

- > Поставяйте в хладилника само предмети, които може да бъдат охладени при избраната температура.
- > Редовно почиствайте повърхностите, които могат да влязат в контакт с хранителни продукти и достъпните части от системата за източване.
- > Съхранявайте сурово месо и риба в подходящи съдове в хладилника, така че да не контактуват и да не могат да покапят върху другата храна.
- > Отварянето на врата за продължителни периоди от време може да доведе до значително повишаване на температурата в отделенията на хладилника. Ако хладилникът бъде оставян празен за дълги периоди от време:

- Изключете хладилника.
- Размразете хладилника.
- Почистете и подсушете хладилника.
- Оставете вратата отворена, за да предотвратите образуването на мухъл в хладилника. Ако е възможно, поставете вратата на хладилника и вратата на фризера в положение „зима“.



#### **ВНИМАНИЕ! Риск от нараняване**

- > Не поставяйте пръстите си в пантата.
- > Затворете и заключете вратата на хладилника, преди да започнете пътуване.
- > Охлаждащата система в задната част на хладилника става много гореща по време на работа. Ако хладилникът е оборудван с вентилационни решетки, защитете се от контакт с горещи части при отстраняване на вентилационните решетки.
- > Вратата на уреда или вратата на фризера могат напълно да се отлепят от уреда, ако се използват неправилно. При затваряне натиснете вратите, докато не чуете ясно щракване в горната и долната част.



#### **ВНИМАНИЕ! Опасност от повреда**

- > Не се облягайте на отворената врата на хладилника.
- > Съхранявайте тежки предмети, като например бутилки или консерви, само на вратата на хладилника, в отделението за зеленчуци или на най-долния рафт.
- > Ако хладилникът има двустранна врата и вратата не е заключена правилно от противоположната страна, натиснете от тази страна отгоре и отдолу, докато се заключи на място.
- > **Опасност от прегряване!** Винаги трябва да е осигурена достатъчна вентилация, така че топлината, генерирана по време на работа, да може да се разсее. Уверете се, че хладилникът е достатъчно отдалечен от стени и други предмети, така че въздухът да може да циркулира.
- > Не пълнете вътрешната част с лед или течност.
- > Защитете хладилника и кабела от топлина и влага.
- > Никога не изваждайте щепсела от контакта чрез свързващия кабел.



#### **УКАЗАНИЕ**

- > Ако системата за управление на акумулатора на Вашето превозно средство изключва хладилника за защита на акумулатора, се свържете с производителя на превозното средство.
- > При околни температури от 15 °C ... 25 °C изберете средната настройка на температурата.
- > Ако вратата не е заключена правилно от противоположната страна, натиснете от тази страна отгоре и отдолу, докато се заключи на място.
- > За да избегнете развалянето на хранителни продукти, отбележете следното:
  - Избягвайте колкото е възможно колебания в температурата. Отваряйте фризера само когато е необходимо и не го дръжте отворен. Подреждайте хранителните продукти така, че въздухът да циркулира свободно.
  - Поставяйте в хладилника само предмети, които може да бъдат охладени при избраната температура.
  - Съхранявайте различните видове продукти, както е показано на фигурите.
  - Ако температурата може да се регулира: Настройте температурата спрямо вида и количеството на хранителните продукти.
  - Хранителните продукти могат да поемат или да изпускат миризма или вкус. Винаги съхранявайте хранителните продукти покрити или в затворени съдове/бутилки.

## 4 Обхват на доставката

| Количество | Описание                            |
|------------|-------------------------------------|
| 1          | Хладилник на компресора             |
| 1          | Коляно за източване                 |
| 1          | Кратко ръководство за работа        |
| 1          | Ръководство за работа (само онлайн) |
| 1          | Ръководство за инсталация           |

## 5 Принадлежности

Налични като принадлежности (не са включени в обхвата на доставката):

| Описание   | Инв. №     |
|--|------------|
| Плъзгача се панта  | 9620012939 |
| Закрепваща рамка, включително допна рамка                |            |
| • NRX0035, NRX0050                                       | 9620012877 |
| • NRX0060  | 9620012881 |
| • NRX0080  | 9620012882 |
| • NRX0115  | 9620012878 |
| • NRX0130  | 9620012876 |
| Закрепваща рамка, включително допна рамка (черна)        |            |
| • NRX0035, NRX0050                                       | 9620012874 |
| • NRX0060  | 9620012875 |
| • NRX0080  | 9620012880 |
| • NRX0115  | 9620012879 |
| • NRX0130  | 9620012883 |
| Подмяна на степаж за отстранено отделение за замразяване |            |
| • NRX0035, NRX0050                                       | 9620012933 |
| • NRX0060  | 9620012938 |
| • NRX0080  | 9620012935 |
| • NRX0115, NRX0130                                       | 9620012932 |

| Описание                           | Инв. №                             |
|------------------------------------|------------------------------------|
| Отделение за замразяване           |                                    |
| • NRX0035, NRX0050                 | 9620012931                         |
| • NRX0060                          | 9620012936                         |
| • NRX0080                          | 9620012934                         |
| • NRX0115, NRX0130                 | 9620012937                         |
| Адаптер за променлив/постоянен ток | 9620013449 (EU)<br>9620013450 (UK) |

## 6 Използване по предназначение

Хладилникът е предназначен за:

- Монтаж в каравани, моторни домове, подки и камиони
- Охлаждане и съхранение на храна
- **Само за NRX0035–0130(C/S):** Съхранение на предварително замразена храна
- Употреба на закрито

Този хладилник не е предназначен за употреба в търговски обекти, магазини или домакинства.

Хладилникът **не е** подходящ за:

- Съхранение на лекарства
- Съхранение на корозивни вещества или вещества, които съдържат разтворители
- Бързо замразяване на храна
- Употреба на открито

Когато се използва на подки, уредът се монтира в общо помещение, а не в открита папуба.

Отделението за замразяване е подходящо за съхранение на предварително замразена храна, съхранение или приготвяне на сладолед и замразяване на кубчета лед. Не е подходящ за замразяване на храна, която не е замразена предварително.

Хладилникът е предназначен за монтаж в шкаф или ниша.

Оптималната охлаждаемостна мощност се осигурява при температури на околната среда между 16 °C ... 43 °C и при максимална влажност от 90 %.

Този продукт е подходящ само за предвидената цел и приложение съгласно настоящите инструкции.

Това ръководство предоставя информация, необходима за правилната инсталация и/или експлоатация на продукта. Лошо инсталиране и/или неправилна употреба и поддръжка ще доведат до незадоволителна работа и евентуално до повреди.

Производителят не носи отговорност за наранявания и повреди по продукта, причинени от:

- Неправилен монтаж, слобяване или свързване, включително твърде високо напрежение
- Неправилна поддръжка или използване на резервни части, различни от оригиналните, предоставяни от производителя
- Изменения на продукта без изрично разрешение от производителя

- Използване за цели, различни от описаните в това ръководство

Dometic си запазва правото да променя външния вид и спецификациите на продукта.

## 7 Техническо описание

Хладилникът е компресорен хладилник.

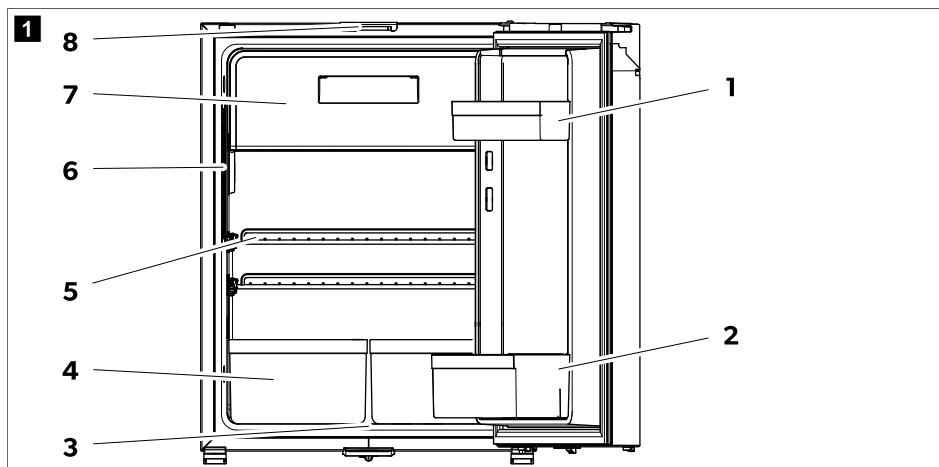
Хладилникът е проектиран да работи с различни видове захранване и може да се захранва с постоянен или променлив ток.

NRX0035-0130(C/S): Моделът е фабрично оборудван с отделение за замразяване, което може да бъде отстранено и монтирано повторно.

Вратата на хладилника има заключващ механизъм, който я предпазва по време на транспортиране.

Всички материали, използвани в хладилника, са съвместими за употреба с хранителни продукти.

### Описание на уреда

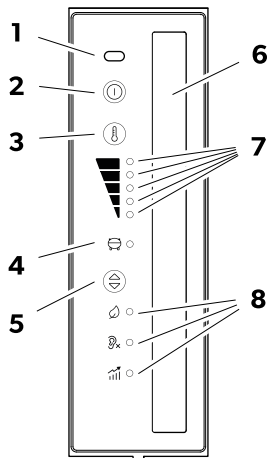


| № | Обяснение  |
|---|--|
| 1 | Рафт на вратата (само за NRX0035-0130[C/S], NRX0080-0130[E]) |
| 2 | Рафт за бутилки  |
| 3 | Тръба за оттичане на кондензата                              |
| 4 | Отделение за хрупкави храни (само за NRX0035-0130[C/S])      |
| 5 | Рафт на отделението  |
| 6 | Табло за управление с дисплей                                |
| 7 | Отделение за замразяване (само за NRX0035-0130[C/S])         |
| 8 | Заключалка на вратата за вентилация                          |

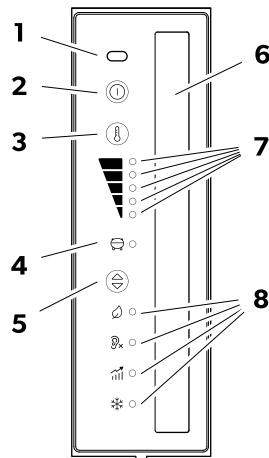



## Елементи за контрол и индикация

### NRX0035 – 0130 (E)



### NRX0035 – 0130 (C/S)



| № | Обяснение   |
|---|---|
| 1 | Инфрачервен сензор за отваряне на вратата   |
| 2 | ⏻ Бутон ВКЛ./ИЗКЛ.  |
| 3 | 🌡 Бутон за настройка на нивото на охлаждане   |
| 4 | Светодиод на компресора и индикатора за грешка  |
| 5 | 🔄 Бутон за режим на работа  |
| 6 | Вътрешно осветление   |
| 7 | Светодиоди на индикатора за ниво на охлаждане<br> <ul style="list-style-type: none"> <li>Ниво на охлаждане 5</li> <li>Ниво на охлаждане 4</li> <li>Ниво на охлаждане 3</li> <li>Ниво на охлаждане 2</li> <li>Ниво на охлаждане 1</li> </ul> |
| 8 | Светодиоди на индикатора за режим на работа   |





### Светодиод на компресора и индикатора за грешка

Светодиодът за компресора и индикатора за грешка показва работното състояние на компресора или указва грешка:

| Цвят              | Описание   |
|-------------------|--|
| Бяло              | Компресорът е включен                                    |
| Оранжев           | Компресорът е изключен                                   |
| Оранжево (мигане) | Грешка (вижте глава Индикация за грешка на страница 538) |

## Светодиоди на индикатора за режим на работа

Светодиодите на индикатора за режим на работа показват следните опции за настройка:

| Символ  | Описание  |
|---|---|
|  | Режим ECO (Зима):<br>Работа с намалено енергопотребление.<br>Ниво на охлаждане 1 – 3  |
|  | Режим QUIET (ТИХА РАБОТА):<br>Работа с намалено ниво на шум.<br>Ниво на охлаждане 1 – 4   |
|  | Режим PERFORMANCE (СТАНДАРТНА РАБОТА):<br>Ниво на охлаждане 1 – 5   |
|  | Режим FREEZER (Фризер) (само за NRX0035-0130[C/S]):<br>Работа с отстранено отделение за замразяване. Охлажда цялата вътрешна част на хладилника до $-6^{\circ}\text{C}$ . |

## 8 Работа

### 8.1 Преди първата употреба

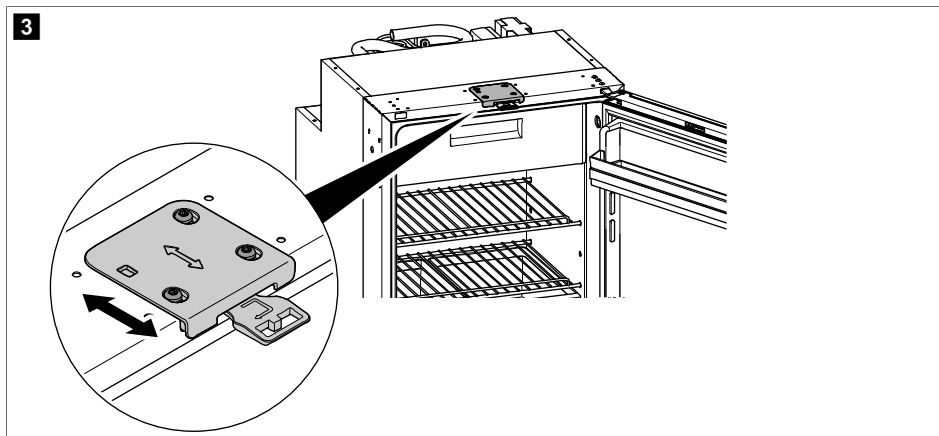


#### УКАЗАНИЕ

- > Не съхранявайте продукти в хладилника за първите 4 часа след стартирането.
- > Когато използвате хладилника за първи път, може да има лека миризма, която ще излезне след няколко часа. Проветрете добре жилищното пространство.
- > Капацитетът на охлаждане може да бъде повлиян от:
  - Околната температура (напр. когато превозното средство е изложено на пряка слънчева светлина)
  - Количеството храна, което трябва да се съхранява в хладилник
  - Колко често се отваря врата
- > Почистете вътрешната част на хладилника по хигиенни причини (вижте Почистяване и поддръжка на страница 532).
- > Паркирайте автомобила така, че да е с хоризонтално разположение, особено при стартиране и пълнене на хладилника, преди да потеглите на път.

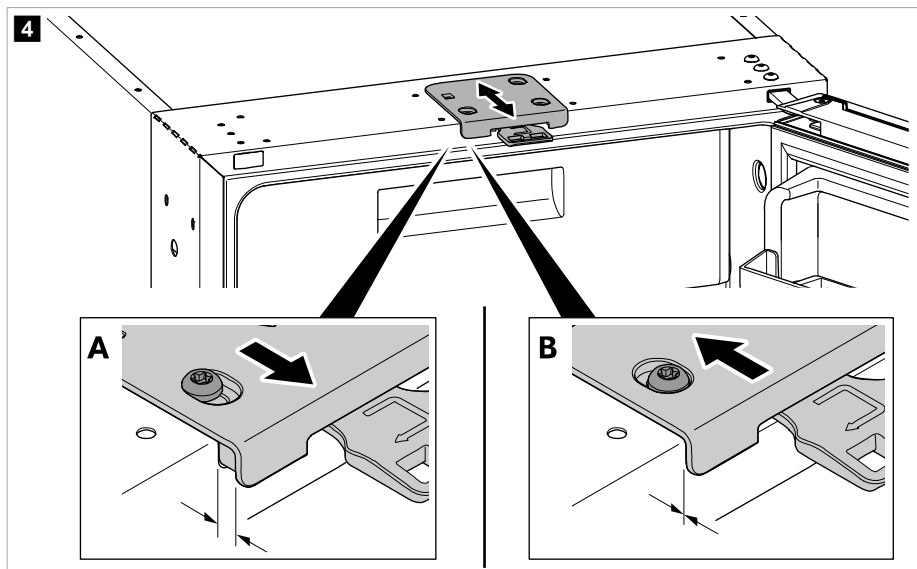
#### 8.1.1 Отваряне на заключалката на вратата

Заключалката на вратата в горната част на хладилника може да се регулира, за да се регулира ширината на затваряне на вратата.



**i** **УКАЗАНИЕ** Проверете дали е монтирана регулируемата заключалка на вратата. Ако е необходимо, поръчайте регулируемата заключалка на вратата ([dometic.com](http://dometic.com)) и сменете фиксираната заключалка на вратата с регулируемата заключалка на вратата.

- > Заключалката на вратата е поставена фабрично в положение **A**. Преместете заключалката на вратата в положение **B**.



**i** **УКАЗАНИЕ** Ако заключалката на вратата е в положение **B**, се уверете, че вратата се заключва правилно при затваряне (вижте глава Затваряне и закрепване на вратата на хладилника на страница 527).

## 8.2 Информация за съхранение на храна



### ВНИМАНИЕ! Опасност за здравето

Ако хладилникът е изложен на околна температура под 10 °С за продължителен период от време, регулирането на температурата на отделението за замразяване вече не може да бъде гарантирано. Това може да доведе до повишаване на температурата на отделението за замразяване и размразяване на съхраняваните продукти.

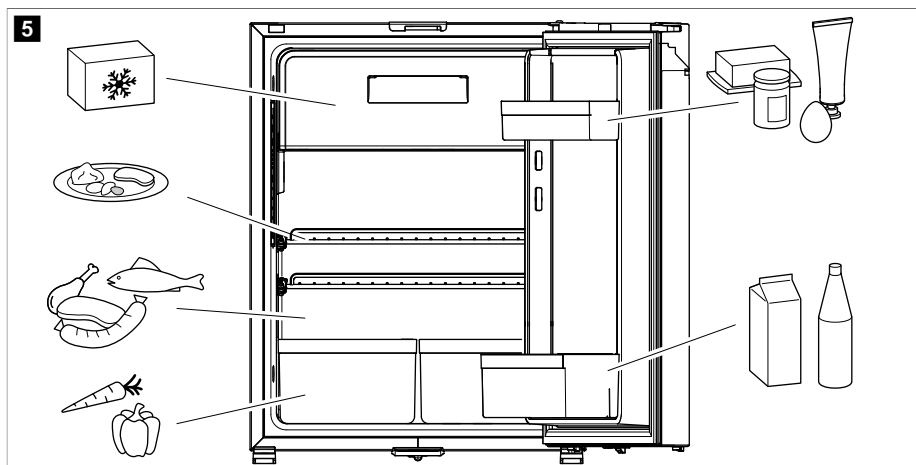


### ВНИМАНИЕ! Опасност от повреда

- > Спазвайте максималното натоварване на рафт на вратата и на врата при пълнене на хладилника (вижте Технически данни на страница 539).
- > Не съхранявайте газирани напитки в отделението за замразяване.

За да избегнете развалянето на хранителни продукти, отбележете следното:

- Избягвайте колкото е възможно колебания в температурата. Отваряйте хладилника само когато е необходимо и не го дръжте отворен. Подреджайте хранителните продукти така, че въздухът да циркулира свободно.
- Настройте температурата спрямо вида и количеството на хранителните продукти.
- Съхранявайте различните видове продукти, както е показано на фигурите.
- Хранителните продукти могат да поемат или да изпускат миризма или вкус. Винаги съхранявайте хранителните продукти покрити или в затворени съдове/бутилки.
- > Съхранявайте хранителните продукти, както е показано.



## 8.3 Икономия на енергия

- Отваряйте хладилника само когато е необходимо и не го дръжте отворен.
- Оставете топла храна да изстине преди да я оставите в охлаждащия уред.
- Размразете хладилника веднага след като се образува слой лед.
- Избягвайте ненужно настройване на ниска температура.
- За оптимална консумация на енергия поставяйте полиците и отделенията както са били поставени при доставката.
- Редовно проверявайте дали уплътнението на вратата все още пасва правилно.
- Редовно почиствайте праха и замърсяванията от отводнителния канал.

## 8.4 Използване на вратата на хладилника



### ВНИМАНИЕ! Риск от нараняване

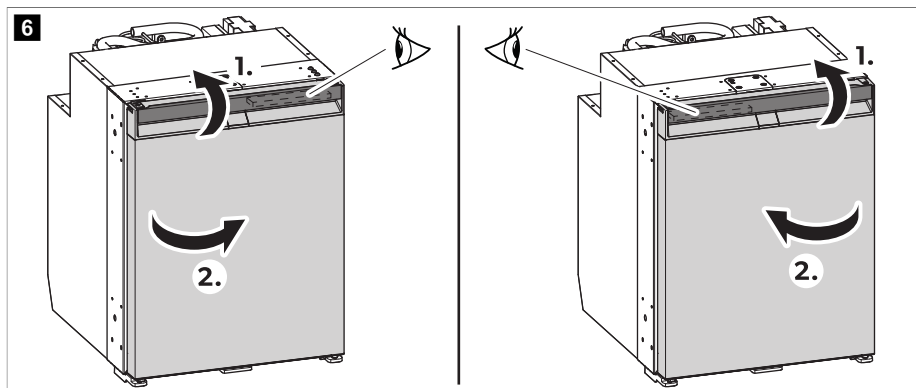
Вратата на хладилника и вратата на отделениято за замразяване могат напълно да се отлепят от уреда, ако се използват неправилно.

### 8.4.1 Отваряне на вратата на хладилника



**УКАЗАНИЕ** Уверете се, че дръпнете дръжката от противоположната страна на ограничителя на вратата. Обърнете внимание на съответната позиция на плъзгача. Вижте съответното ръководство за монтаж.

> За да отворите вратата на хладилника, действайте, както е показано.



### 8.4.2 Затваряне и закрепване на вратата на хладилника



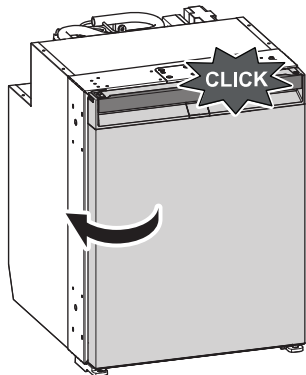
### ВНИМАНИЕ! Риск от нараняване

Ако вратата не е закрепена правилно, внимателно натиснете горната и долната част на вратата, докато не бъде закрепена на място.

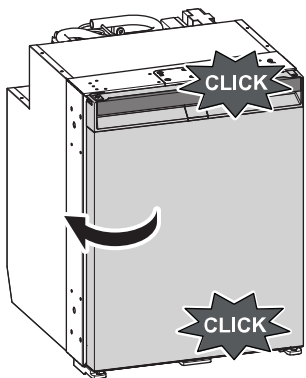


**УКАЗАНИЕ** Вратата на хладилника има заключващ механизъм, който се използва и за защита по време на транспортиране.

- > NRX0035–0130(E): Натиснете вратата, докато не чуете ясно, че щраква в горната.

**7 NRX0035 – 0130 (E)**



- > NRX0035–0130(C/S): Натиснете вратата, докато не чуете ясно, че щраква в горната и долната част.

**8 NRX0035 – 0130 (C/S)**

- ✓ Сега вратата е затворена и закрепена.

**8.5 Включване и изключване**


**УКАЗАНИЕ** Винаги изключвайте хладилника, ако няма да го използвате за продължителен период от време.

- > За да включите, натиснете и задръжте бутона  веднъж за поне 2 s .
- ✓ Хладилникът се включва с последната избрана настройка за ниво на охлаждане и режим на работа.
- > За да изключите, натиснете и задръжте бутона  за най-малко 2 s .

## 8.6 Настройка на режимите на работа



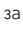
**УКАЗАНИЕ** При използване на режим ECO (Еко), PERFORMANCE (Производителност) или FREEZER (Фризер) системата остава в този режим до по-нататъшни промени.

- > За да зададете режима на работа, натиснете бутона  неколкократно, докато светне светодиода на индикатора за режим на работа за желания режим на работа.

Налични са следните режими на работа:

### Използване на режим ECO (ТИХА РАБОТА)

При активиран режим ECO (Еко) хладилникът работи с намалена консумация на енергия при нива на охлаждане 1 – 3.


- ✓ Светодиодът на индикатора за режим на работа за режим ECO (Еко)  и светодиода на избрания индикатор за ниво на охлаждане светват.

### Използване на режим QUIET (ТИХА РАБОТА)

При активиран режим QUIET (Тиха работа) хладилникът работи с намалено ниво на шума при нива на охлаждане 1 – 4.

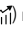


#### УКАЗАНИЕ

- > Режимът QUIET (ТИХА РАБОТА) не е наличен, ако хладилникът работи в режим FREEZER (ФРИЗЕР).
- > Когато използвате режим QUIET (Тиха работа), хладилникът ще остане в този режим в продължение на 8 h и след това ще се върне в избрания преди това режим (режим ECO (Еко) или PERFORMANCE (Производителност)).
- ✓ Светодиодът на индикатора за режим на работа за режим QUIET (Еко)  и светодиода на избрания индикатор за ниво на охлаждане светват.

### Използване на режим PERFORMANCE (СТАНДАРТНА РАБОТА)

При активиран режим PERFORMANCE (Производителност) хладилникът работи в стандартен режим при нива на охлаждане 1 – 5.

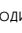
- ✓ Светодиодът на индикатора за режим на работа за режим PERFORMANCE (Производителност)  и светодиода на избрания индикатор за ниво на охлаждане светват.

### Използване на режим FREEZER (ФРИЗЕР)

При активиран режим FREEZER (Фризер) цялата вътрешност на хладилника се охлажда до  $-6^{\circ}\text{C}$ .



**УКАЗАНИЕ** Отстранете отделението за замразяване, за да използвате режим на FREEZER (Фризер).

- ✓ Светодиодът на индикатора за режим на работа за режим FREEZER (Фризер)  и всички светодиоди на индикатора за ниво на охлаждане светят непрекъснато.

## 8.7 Настройка на нивото на охлаждане

- > За да зададете нивото на охлаждане, натиснете бутона  неколкократно, докато се достигне желаното ниво на охлаждане.

## 8.8 Разместване на рафтовете



### ПРЕДУПРЕЖДЕНИЕ! Риск от заклещване на дете

NRX0060–0130: Всички рафтове са фиксирани на място, за да се предотврати качването на деца в хладилника.

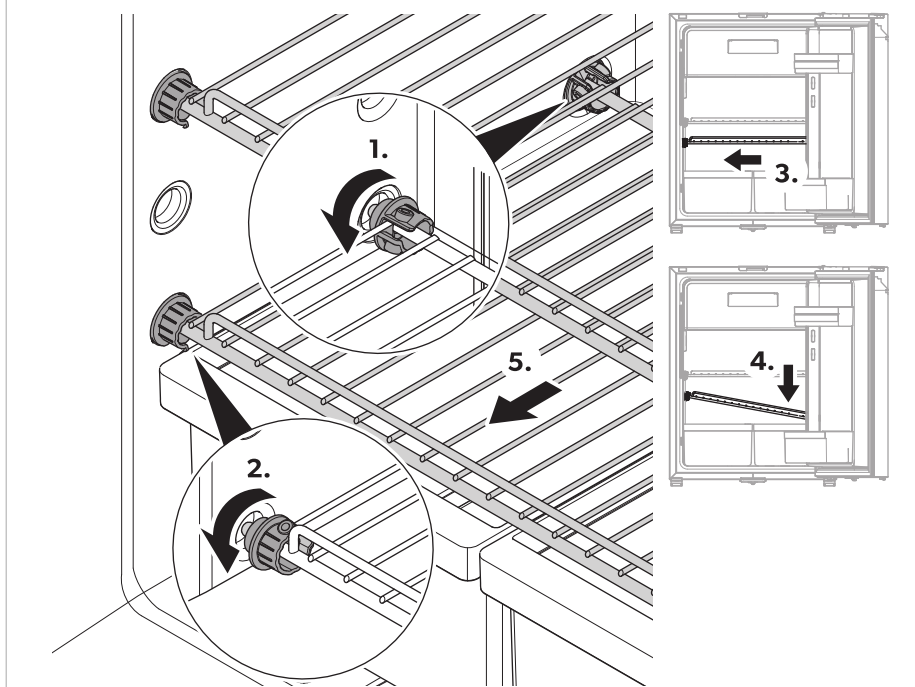
- > Отстранявайте рафтовете само за целите на почистването.
- > Поставете отново рафтовете и ги закрепете на място.



**УКАЗАНИЕ** Отстранете отделението за замразяване, преди да поставите отново рафтовете, за по-лесен достъп до дръжките на задния рафт.

- > **NRX0035-0050:** за да поставите отново рафтовете по желание, действайте, както е показано.

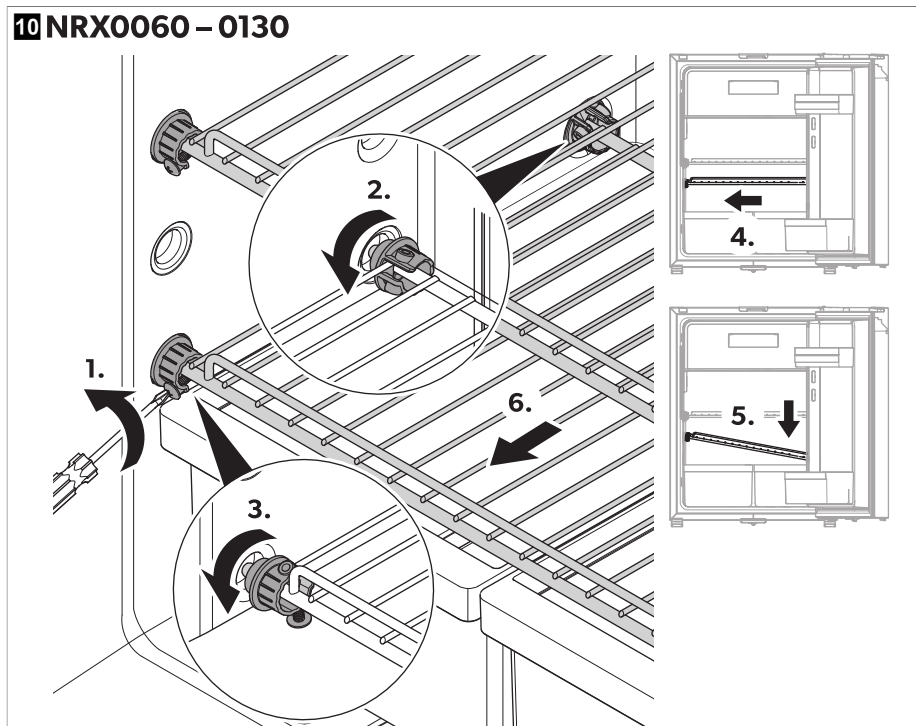
### 9 NRX0035 – 0050





- > **NRX0035-0050:** За да поставите отново рафтовете по желание, действайте, както е показано.

## 10 NRX0060 – 0130



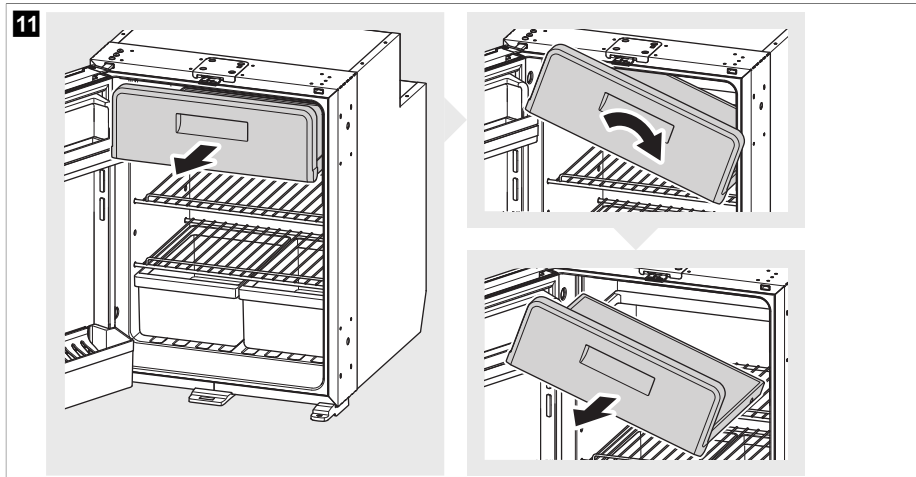
### 8.9 Отстраняване на отделението за замразяване



#### **ВНИМАНИЕ! Опасност от повреда**

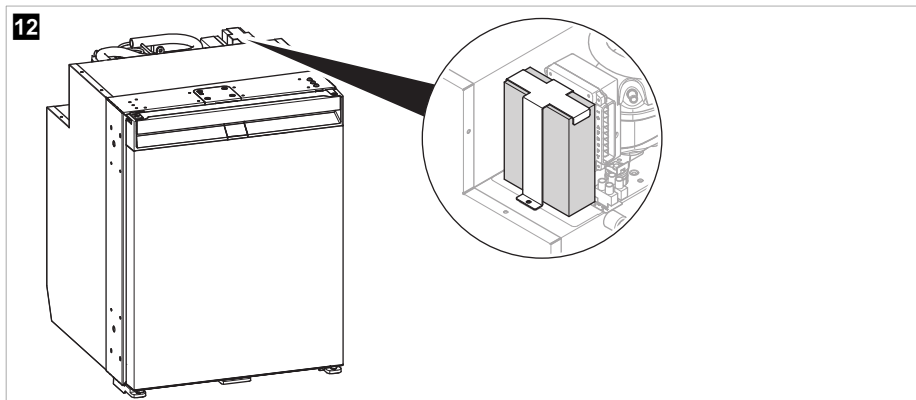
- > Затворете вратата на отделението за замразяване, за да отстраните отделението за замразяване.
- > Хванете отделението за замразяване за дъното. Не държайте вратата на отделението за замразяване.
- > Съхранявайте отделението за замразяване на сухо и безопасно място.

> За да отстраните отделениято за замразяване, действайте, както е показано.



## 8.10 Монтиране на адаптера за променлив/постоянен ток

> За да инсталирате адаптера (аксесоарите), действайте, както е показано.



## 9 Почистване и поддръжка



### **ПРЕДУПРЕЖДЕНИЕ! Опасност от електрически удар**

Винаги изключвайте хладилника от източника на захранване, преди да го почиствате и да извършвате поддръжка.



### **ВНИМАНИЕ! Опасност от повреда**

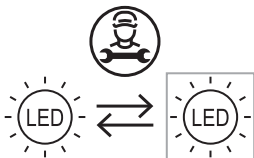
> Не използвайте абразивни почистващи препарати или твърди предмети по време на почистване.

- > Никога не използвайте твърди или остри инструменти, за да отстраните леда или да освободите замръзнали продукти.
- > Уверете се, че в уплътненията не прониква вода. Това може да увреди електрониката.



#### **ВНИМАНИЕ! Опасност от повреда**

Този източник на светлина може да се сменя само от производителя, сервизен техник или лице с подобна квалификация, за да се избегнат евентуални опасности.



- > Почиствайте вътрешната и външната част на хладилника редовно с влажна кърпа и веднага щом се замърси. След почистването избършете хладилника със суха кърпа.
- > Редовно проверявайте канала за кондензат. Почиствайте канала за кондензат когато е необходимо. Ако той е запушен, кондензатът се събира на дъното на хладилника.
- > Почиствайте редовно праха и мръсотията от кондензатора с влажна кърпа.

#### **Верига на хладилния агент**

Охладителната система е свободна от поддръжка.

#### **Размразяване на хладилника**



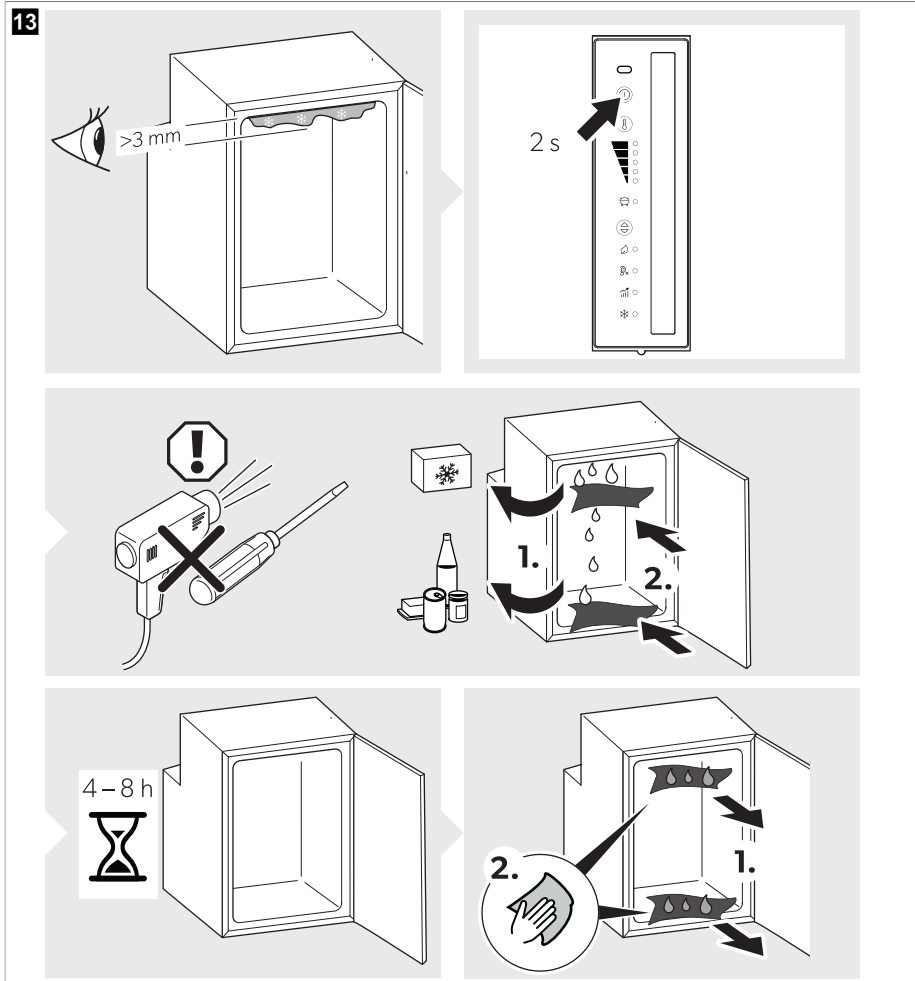
#### **ВНИМАНИЕ! Опасност от повреда**

Не използвайте механични или други инструменти, за да ускорите процеса на размразяване.



**УКАЗАНИЕ** С течение на времето се натрупва скреж на задната стена вътре в хладилника. Ако този слой скреж е с дебелина около 3 mm, размразете хладилника.

> За да размразите хладилника, действайте, както е показано.



**Поставяне на вратата на хладилника в положение за съхранение**



**ВНИМАНИЕ! Риск от нараняване**

Положението за съхранение не може да се използва по време на шофиране.

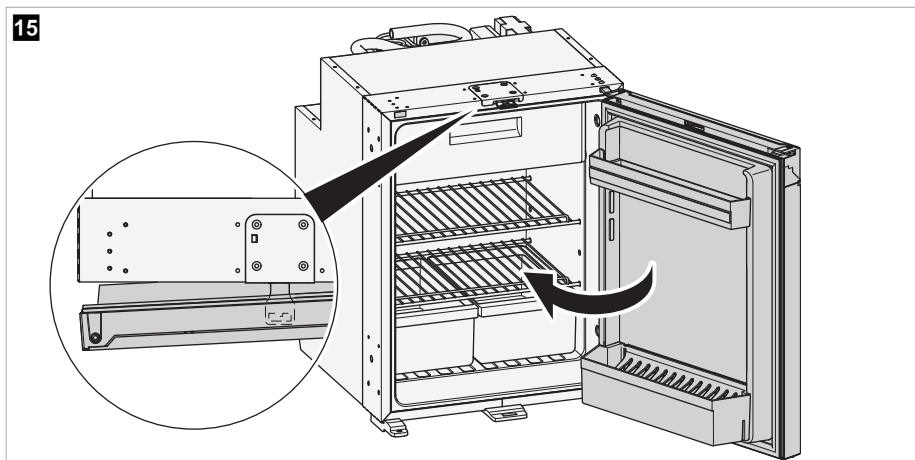
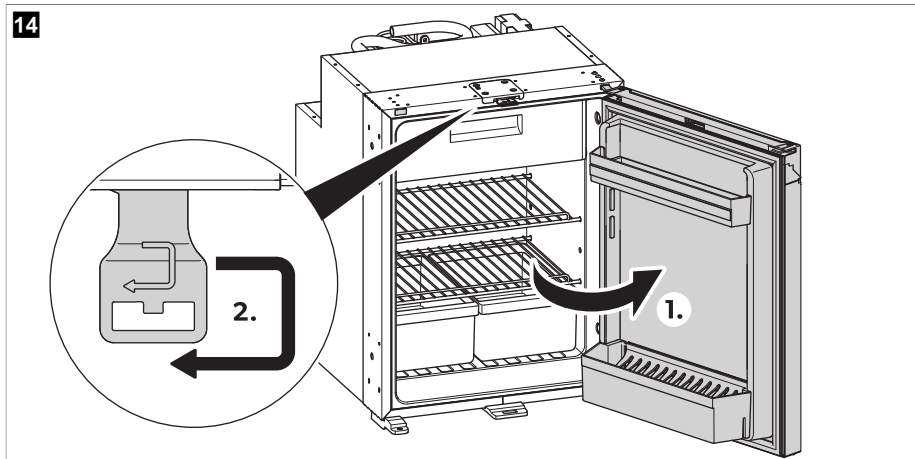


**УКАЗАНИЕ**

Поставете вратата на хладилника в положението за съхранение, ако няма да използвате уреда за по-дълъг период от време. Това предотвратява образуването на мухъл.

> Размразете хладилника (вижте Размразяване на хладилника на страница 533).

> Поставете вратата на хладилника в положение за съхранение, както е показано.

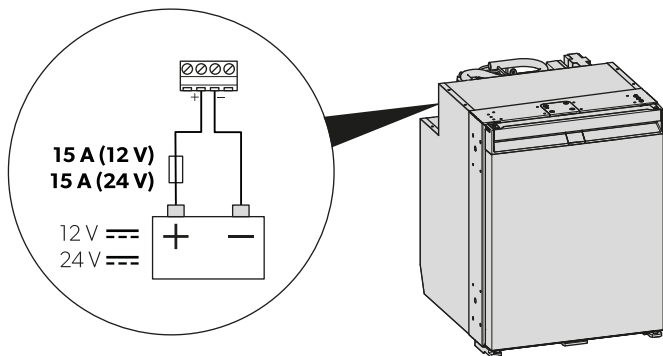


## 10 Отстраняване на неизправности



**УКАЗАНИЕ** За безопасно управление на потребителските модули от 12 V в каравана по време на шофиране трябва да се гарантира, че теглещият превозното средство осигурява достатъчно напрежение. При някои автомобили системата за управление на акумулатора може автоматично да изключи потребителските модули, за да защити акумулатора. Обърнете се към производителя на автомобила за повече информация.

16



| проблем  | причина  | Решение  |
|--|--|--|
| Хладилникът не работи.   | Предпазителят в DC кабела е дефектен.  | > Сменете предпазителя (  фиг. 16 на страница 536).   |
|  | Бушонът на автомобила е изгорял.   | > Сменете предпазителя на автомобила.<br><br>Моля, направете справка с инструкцията за експлоатация на Вашето превозно средство.   |
|  | Акумулаторът на автомобила е разреден.   | > Проверете акумулатора и го заредете.   |
|  | Запалването не е включено.   | > Включете запалването.  |
|  | Температурата при компресора е твърде ниска ( $< 0^{\circ}\text{C}$ ).   | > Затворете/покрийте всички външни вентилационни решетки напълно с изолационен материал.   |
|  | Хладилникът се изключва автоматично, ако напрежението е недостатъчно.<br><br>(Напрежение на изключване: 10,4 V $\equiv \equiv$ ) | > Заредете акумулатора. Хладилникът ще стартира отново автоматично.<br><br>(Напрежение при включване: 11,7 V $\equiv \equiv$ )   |
| Лошо охлаждане, повишаване на вътрешната температура. Компресорът работи непрекъснато. | Вентилацията около охлаждащия модул не е достатъчна.   | > Проверете дали вентилационната решетка не е запушена.<br>> Преместете хладилника на друго място.   |
|  | Вътрешните стени са замръзнали.  | > Проверете дали вратата на хладилника се затваря правилно.<br>> Уверете се, че уплътнението на хладилника пасва правилно и не е повредено.<br>> Размразете хладилника (вижте Размразяване на хладилника на страница 533). |
|  | Температурата е зададена на твърде висока стойност.  | > Задайте по-ниска температура.  |

| проблем   | причина  | Решение  |
|---|--|--|
|   | Околната температура е твърде висока.  | > Отстранете вентилационната решетка за известно време, така че топлият въздух да може да излезе по-бързо. |
|   | Твърде много храна е била поставена в хладилника едновременно.               | > Отстранете част от храната.  |
|   | Твърде много топла храна е била поставена в хладилника едновременно.         | > Отстранете топлата храна и я оставете да се охлади, преди да я поставите отново.                         |
|   | Хладилникът не работи много дълго време.                                     | > Проверете температурата отново след 4 h / 5 h .  |
|   | Кондензаторът е замърсен.  | > Почистете кондензатора (вижте глава Почистване и поддръжка на страница 532).                             |
|   | Вентилаторът е повреден.   | > Свържете се с упълномощен сервиз.  |
| Лошо охлаждане, повишаване на вътрешната температура.<br>Компресорът не работи често.                                       | Капацитетът на акумулатора е изчерпан.                                       | > Заредете акумулатора.  |
| Лошо охлаждане, повишаване на вътрешната температура.<br>Компресорът не работи (връзка с акумулатора).                      | Има прекъсване на връзката с електрониката на акумулатора.                   | > Създайте връзка.   |
|   | Главният превключвател е дефектен (ако е монтиран).                          | > Сменете главния превключвател.   |
|   | Предпазителят на допълнителната захранваща линия е изгорял (ако е монтиран). | > Сменете предпазителя на захранващата линия.  |
|   | Напрежението на акумулатора е твърде ниско.                                  | > Заредете акумулатора.  |
|   | Капацитетът на акумулатора е твърде нисък.                                   | > Сменете акумулатора.   |
|   | Кабелите са разхлабени.<br>Контактът е с влошени характеристики (корозия).   | > Създайте връзка.   |
|   | Напречното сечение на кабела е твърде малко.                                 | > Сменете кабела.  |
|   | Компресорът е дефектен.  | > Свържете се с упълномощен сервиз.  |
| Лошо охлаждане, повишаване на вътрешната температура.<br>Компресорът не работи (свързване към променливотоково захранване). | Захранващата линия на връзката е прекъсната.                                 | > Създайте връзка.   |
|   | Главният превключвател е дефектен (ако е монтиран).                          | > Сменете главния превключвател.   |
|   | Предпазителят на допълнителната захранваща линия е изгорял (ако е монтиран). | > Сменете предпазителя на захранващата линия.  |
|   | Компресорът е дефектен.  | > Свържете се с упълномощен сервиз.  |

| проблем  | причина   | Решение  |
|--|---|--|
| Необичайни шумове.   | Компонент на веригата на хладилния агент не може да се движи свободно (докосвайки стената).   | > Внимателно огънете компонента далеч от препятствието.      |
|  | Между охлаждащия модул и стената е заседнал чужд предмет.   | > Отстранете чуждия предмет.                                 |
|  | Шум от вентилатора.   | > Свържете се с упълномощен сервиз.                          |
| Вратата се отваря неволно при движение (напр. по време на шофиране). | Заклучалката на вратата е поставена в положение <b>A</b> (вижте глава Отваряне на заключалката на вратата на страница 524).                                     | > Поставете заключалката на вратата в положение <b>B</b> .   |
| Вратата не се затваря правилно.                                      | Заклучалката на вратата е поставена в положение <b>A</b> (вижте глава Отваряне на заключалката на вратата на страница 524).                                     | > Поставете заключалката на вратата в положение <b>B</b> .   |
|  | Заклучалката на вратата е поставена в положение <b>B</b> (вижте глава Отваряне на заключалката на вратата на страница 524), но вратата не е правилно заключена. | > Уверете се, че вратата се заключва правилно при затваряне. |

## Индикация за грешка



### УКАЗАНИЕ

- > Всички грешки се указват от светодиода на индикатора за грешка, който мига в оранжево (вижте Елементи за контрол и индикация на страница 523). Броят на премигванията зависи от вида на неизправността. Всяко премигване трае една четвърт от секундата. След поредицата от премигвания следва пауза. Последователността за грешката се повтаря на всеки четири секунди.
- > В режим ECO (Еко), PERFORMANCE (Производителност) и FREEZER (Фризер) се чува допълнителен звуков сигнал.

| Честота на премигване | Грешка                           | Възможна причина  |
|-----------------------|----------------------------------|---|
| 1                     | Понижено или повишено напрежение | Захранващото напрежение е извън зададения диапазон.   |
| 2                     | Прекомерен ток на вентилатора    | Натоварването на вентилатора на електронния модул е повече от 1 A.  |
| 3                     | Моторът не стартира              | Роторът е задръстен.<br>Разликата в налягането в охлаждащата система е твърде висока.   |
| 4                     | Скоростта е твърде ниска         | Ако охлаждащата система е претоварена, не може да се поддържат минимални обороти на двигателя.  |
| 5                     | Прегряване на електронния модул  | Ако охлаждащата система е натоварена прекалено много или температурата е зададена на твърде висока стойност, електрониката може да прегрее. |
| Постоянно             | Грешки в сензора за температура  | Сензорът за температура е дефектен.   |



## 11 Гаранция

Важи гаранционният срок, определен от закона. Ако продуктът е дефектен, моля, свържете се с клона на производителя във вашата страна (вижте [dometic.com/dealer](http://dometic.com/dealer)) или с вашия търговец на дребно.

За обработка на гаранцията и ремонта, моля приложете следните документи при изпращането на уреда:

- Копие от фактурата с дата на покупката
- Причина за претенцията или описание на дефекта

Отбележете, че саморъчен или непрофесионален ремонт може има последствия за безопасността и да анулира гаранцията.

## 12 Изхвърляне



### ВНИМАНИЕ! Опасност от повреда

Изопацията на охлаждащия уред съдържа запалим циклопентан и трябва да се изхвърля по специална процедура. След края на живота на охлаждащия уред го предайте на подходящо предприятие за рециклиране.



По възможност предайте опаковката за рециклиране. Консултирайте се с местен център за рециклиране или със специализиран търговец за правилното изхвърляне на продукта в съответствие с действащите предписания. Европа: Продуктът може да бъде изхвърлен безплатно.

## 13 Технически данни

За настоящата Декларация за съответствие на ЕС за Вашия уред, моля, потърсете съответната страница за продукта на [dometic.com](http://dometic.com) или се свържете директно с производителя (вижте [dometic.com/dealer](http://dometic.com/dealer)).

Този уред съответства на изискванията на Регламент R10 на ИКЕ на ООН.

|  | NRX0035(E/C/S) | NRX0050(E/C/S)           | NRX0060(E/C/S) |
|--|----------------|--------------------------|----------------|
| Капацитет  |                |                          |                |
| • Отделение на хладилника (само за NRX0035-0130[C/S])  | 27,3 L         | 39,6 L                   | 48,9 L         |
| • Отделение за замразяване (само за NRX0035-0130[C/S]) | 4,4 L          | 4,4 L                    | 6,1 L          |
| • Общ капацитет  | 32 L           | 44 L                     | 55 L           |
| • Общ капацитет (премаханото отделение за замразяване) | 34 L           | 46 L                     | 58 L           |
| Напрежение на свързване                                |                | 12 / 24 V <sup>---</sup> |                |
| Защита на захранващия акумулатор (12 V)                |                |                          |                |
| • Напрежение на изключване                             |                | 10,4 V                   |                |
| • Напрежение при включване                             |                | 11,7 V                   |                |

**BG NRX35-130**

|   | <b>NRX0035(E/C/S)</b>  | <b>NRX0050(E/C/S)</b>                           | <b>NRX0060(E/C/S)</b>             |
|---|--|---|-----------------------------------|
| Защита на захранващия акумулатор ( 24 V )<br><ul style="list-style-type: none"> <li>• Напрежение на изключване</li> <li>• Напрежение при включване</li> </ul>   |  | 22,8 V<br><br>24,2 V                            |                                   |
| Климатичен клас   | T  |   |                                   |
| Температурен диапазон на съхранение:<br><ul style="list-style-type: none"> <li>• Хладилник</li> <li>• Отделение за замразяване (само за NRX0035-0130[C/S])</li> <li>• Режим Freezer (Фризер) (само за NRX0035-0130[C/S])</li> </ul> |  | 0 °C ... 12 °C<br>-15 °C ... -5 °C<br><br>-6 °C |                                   |
| Препоръчителна околна температура на употреба   | 16 °C ... 43 °C  |   |                                   |
| Хладилен агент  | R134a  |   |                                   |
| Количество на хладилния агент   | 24 g   | 26 g  | 30 g                              |
| CO <sub>2</sub> еквивалент  | 0,034 t  | 0,037 t   | 0,043 t                           |
| Потенциал за затопляне на атмосферата (GWP)   | 1430   |   |                                   |
| Щумови емисии (EN 60704)  | 40 ... 45 dB(A)  |   |                                   |
| Размери В x Ш x Д   | 525 × 380 × 355 mm<br>(без компресор и дистанционна втулка)<br><br>525 mm × 380 mm × 480 mm<br>(с компресор и дистанционна втулка) | 525 mm × 380 mm × 510 mm                        | 525 mm × 448 mm × 537 mm          |
| Нетно тегло   | E: 13,5 kg<br>C, S: 16 kg  | E: 14,5 kg<br>C, S: 17 kg                       | E: 16 kg<br>C, S: 17 kg           |
| Максимално натоварване<br><ul style="list-style-type: none"> <li>• На рафт на вратата</li> <li>• На врата</li> </ul>  | 4 kg<br><br>E: 4 kg<br>C/S: 8 kg   | 4 kg<br><br>E: 4 kg<br>C/S: 8 kg                | 5 kg<br><br>E: 5 kg<br>C/S: 10 kg |
|   | <b>NRX0080(E/C/S)</b>  | <b>NRX0115(E/C/S)</b>                           | <b>NRX0130(E/C/S)</b>             |
| Капацитет   |  |   |                                   |

|  | NRX0080(E/C/S)          | NRX0115(E/C/S)     | NRX0130(E/C/S)     |
|--|-------------------------|--------------------|--------------------|
| <ul style="list-style-type: none"> <li>Отделение на хладилника (само за NRX0035 – 0130[C/S])</li> </ul>  | 68,4 L                  | 104,5 L            | 118 L              |
| <ul style="list-style-type: none"> <li>Отделение за замразяване (само за NRX0035 – 0130[C/S])</li> </ul> | 6,6 L                   | 8,2 L              | 8,2 L              |
| <ul style="list-style-type: none"> <li>Общ капацитет</li> </ul>  | 75 L                    | 113 L              | 126 L              |
| <ul style="list-style-type: none"> <li>Общ капацитет (премаханото отделение за замразяване)</li> </ul>   | 78 L                    | 116 L              | 130 L              |
| Напрежение на свързване  | 12 / 24 V <sup>==</sup> |                    |                    |
| Защита на захранващия акумулатор ( 12 V )  |                         |                    |                    |
| <ul style="list-style-type: none"> <li>Напрежение на изключване</li> </ul>                               | 10,4 V                  |                    |                    |
| <ul style="list-style-type: none"> <li>Напрежение при включване</li> </ul>                               | 11,7 V                  |                    |                    |
| Защита на захранващия акумулатор ( 24 V )  |                         |                    |                    |
| <ul style="list-style-type: none"> <li>Напрежение на изключване</li> </ul>                               | 22,8 V                  |                    |                    |
| <ul style="list-style-type: none"> <li>Напрежение при включване</li> </ul>                               | 24,2 V                  |                    |                    |
| Климатичен клас  | T                       |                    |                    |
| Температурен диапазон на съхранение  |                         |                    |                    |
| <ul style="list-style-type: none"> <li>Хладилник</li> </ul>  | 0 °C ... 12 °C          |                    |                    |
| <ul style="list-style-type: none"> <li>Отделение за замразяване (само за NRX0035–0130[C/S])</li> </ul>   | -15 °C ... -5 °C        |                    |                    |
| <ul style="list-style-type: none"> <li>Режим Freezer (Фризер) (само за NRX0035–0130C/S)</li> </ul>       | -6 °C                   |                    |                    |
| Препоръчителна околна температура на употреба  | 16 °C ... 43 °C         |                    |                    |
| Хладилен агент   | R134a                   |                    |                    |
| Количество на хладилния агент  | 32 g                    | 40 g               | 40 g               |
| CO2 еквивалент   | 0,046 t                 | 0,057 t            | 0,057 t            |
| Потенциал за затопляне на атмосферата (GWP)  | 1430                    |                    |                    |
| Щумови емисии (EN 60704)   | 40 ... 45 dB(A)         |                    |                    |
| Размери В x Ш x Д  | 625 × 475 × 537 mm      | 745 × 525 × 568 mm | 812 × 525 × 568 mm |

|                        | <b>NRX0080(E/C/S)</b>   | <b>NRX0115(E/C/S)</b>   | <b>NRX0130(E/C/S)</b>   |
|------------------------|-------------------------|-------------------------|-------------------------|
| Нетно тегло            | C, S: 20 kg<br>E: 18 kg | C, S: 26 kg<br>E: 24 kg | C, S: 27 kg<br>E: 25 kg |
| Максимално натоварване |                         |                         |                         |
| • На рафт на вратата   | 5 kg                    | 6 kg                    | 6 kg                    |
| • На врата             | 10 kg                   | E: 12 kg<br>C/S: 18 kg  | E: 12 kg<br>C/S: 18 kg  |

## 14 Технически данни

За настоящата Декларация за съответствие на ЕС за Вашия уред, моля, потърсете съответната страница за продукта на [dometic.com](http://dometic.com) или се свържете директно с производителя (вижте [dometic.com/dealer](http://dometic.com/dealer)).

Този уред съответства на изискванията на Регламент R10 на ИКЕ на ООН.

|   | <b>NRX0090V</b>         |
|---|-------------------------|
| Капацитет   |                         |
| • Отделение на хладилника                             | 79 L                    |
| • Отделение за замразяване                            | 8,4 L                   |
| • Общ капацитет                                       | 87 L                    |
| • Общ капацитет (премахнато отделение за замразяване) | 92 L                    |
| Напрежение на свързване                               | 12 / 24 V <sup>==</sup> |
| Защита на захранващия акумулатор (12 V)               |                         |
| • Напрежение на изключване                            | 10,4 V                  |
| • Напрежение при включване                            | 11,7 V                  |
| Защита на захранващия акумулатор (24 V)               |                         |
| • Напрежение на изключване                            | 22,8 V                  |
| • Напрежение при включване                            | 24,2 V                  |
| Енергопотребление                                     | 0,35 kWh / 24 h         |
| Климатичен клас                                       | T                       |
| Температурен диапазон на съхранение                   |                         |
| • Хладилник   | 0 °C ... 15 °C          |
| • Отделение за замразяване                            | -12 °C ... -5 °C        |
| • Режим Freezer (Фризер)                              | -5 °C ± 2 °C            |
| Препоръчителна околна температура на употреба         | 16 °C ... 43 °C         |
| Хладилен агент  | R600a                   |
| Количество на хладилния агент                         | 22 g                    |

|   | <b>NRX0090V</b>          |
|---|--------------------------|
| Еквивалент на CO <sub>2</sub>   | 0,000 t                  |
| Потенциал за затопляне на атмосферата (GWP)   | 3                        |
| Шумови емисии (EN60704) <ul style="list-style-type: none"> <li>• Режим PERFORMANCE (СТАНДАРТНА РАБОТА) &lt; 40 dB(A)</li> <li>• Режим QUIET (ТИХА РАБОТА) 37 dB(A)</li> </ul> |                          |
| Размери В x Ш x Д   | 821 mm × 486 mm × 480 mm |
| Нетно тегло   | 22 kg                    |

## Eesti keel

|    |                                |     |
|----|--------------------------------|-----|
| 1  | Olulised märkused.....         | 544 |
| 2  | Sümbolite selgitus.....        | 544 |
| 3  | Ohutusjuhised.....             | 545 |
| 4  | Tarnekomplekt.....             | 547 |
| 5  | Lisatarvikud.....              | 547 |
| 6  | Kasutusotstarve.....           | 548 |
| 7  | Tehniline kirjeldus.....       | 549 |
| 8  | Kasutamine.....                | 552 |
| 9  | Puhastamine ja hooldamine..... | 560 |
| 10 | Tõrkeotsing.....               | 563 |
| 11 | Garantii.....                  | 566 |
| 12 | Kõrvaldamine.....              | 566 |
| 13 | Tehnilised andmed.....         | 566 |
| 14 | Tehnilised andmed.....         | 569 |

## 1 Olulised märkused

Lugege see juhend tähelepanelikult läbi ja järgige kõiki selles esitatud juhiseid, suuniseid ja hoiatusi, et tagada alati toote õigesti paigaldamine, kasutamine ning hooldamine. See juhend PEAB jääma selle toote juurde.

Toote kasutamisega kinnitate, et olete kõik juhised, suunised ja hoiatused tähelepanelikult läbi lugenud ning mõistate ja nõustute järgima nendes sätestatud tingimusi. Nõustute kasutama seda toodet üksnes ettenähtud eesmärgil ja otstarbel ning kooskõlas kasutusjuhendis sätestatud juhiste, suuniste ja hoiatustega, samuti kooskõlas kõigi kohaldatavate õigusaktide ja eeskirjadega. Siin sätestatud juhiste ja hoiatuste lugemise ja järgimise eiramine võib põhjustada vigastusi teile ja kolmandatele isikutele, kahjustada teie toodet või läheduses asuvat muud vara. Toote kasutusjuhendit, sh juhiseid, suuniseid ja hoiatusi, ning seotud dokumente võidakse muuta ja uuendada. Värskema tootekirjelduse leiate veebisaidilt [documents.dometic.com](https://documents.dometic.com).

## 2 Sümbolite selgitus

Signaalsõna tähistab ohutusteateid ja varalise kahju teateid ning näitab ka ohu raskusastet või taset.



### OHT!

viitab ohtlikule olukorrale, mis eiramise korral lõpeb surma või raske vigastusega.



### HOIATUS!

viitab ohtlikule olukorrale, mis eiramise korral võib lõppeda surma või raske vigastusega.



### ETTEVAATUST!

viitab ohtlikule olukorrale, mis eiramise korral võib lõppeda kerge või keskmise vigastusega.



### TÄHELEPANU!

Viitab ohtlikule olukorrale, mis eiramise korral võib lõppeda varalise kahjuga.



**MÄRKUS** Lisateave toote käitamiseks.

## 3 Ohutusjuhised

### Üldine ohutus



#### HOIATUS! Elektrilöögi oht

- > Külmiiku paigaldamise ja eemaldamise tohivad tegeleda ainult kvalifitseeritud töötajad.
- > Pesuruumidesse ja veega kokkupuutuvatesse kohtadesse peab selle paigaldama kvalifitseeritud tehnik.
- > Kui paigaldate külmiiku varikatuse alla või sarnasesse keskkonda, veenduge, et külmiik oleks kaitstud vihma ja pritsiva vee eest.
- > Kui külmiikul on nähtavaid kahjustusi, ei tohi seda kasutada.
- > Seda külmiikut võivad remontida ainult spetsialistid. Valesti tehtud parandused võivad tõsist ohtu põhjustada või külmiikut kahjustada.
- > Kui selle külmiiku ühenduskaabel saab kahjustada, tuleb see ohu vältimiseks lasta tootjal, selle klienditeenindusel või sarnasel kvalifitseeritud isikul välja vahetada.
- > Valige külmiiku asukoht nii, et toitejuhe ei jääks esemete vahele kinni ja ei saaks kahjustada.
- > Ärge jätke külmiiku taha mitut teiseldatavat pistikupesast või teiseldatavat toiteallikat.
- > Ärge puudutage katmata kaableid paljaste kätega.
- > Ühendage seade pesa, mis tagavad nõuetekohase ühenduse eelkõige juhul, kui seade vajab maandust.
- > Kui kasutate seadet avaliku võrgu toitel, tagage, et toiteühendusel oleks jääkvoolu kaitseüliliiti (RCCB) või maandusrikke kaitseüliliiti (GFCI). Paigaldamine peab toimuma kõigi kehtivate eeskirjade kohaselt, eriti potentsiaalselt niisketes piirkondades.



#### HOIATUS! Tuleoht

- > Külmaaine kontuur sisaldab väikest kogust keskkonnahoidlikku, külmaainet. See ei kahjusta osoonikihti ega võimenda kasvuhooneefekti. Lekkiv külmaaine võib süttida.
- > Ärge kasutage ega hoidke külmiikut kinnises ruumis, kus õhuvool puudub või on väga väike.
- > Hoidke külmiiku paigaldamiseks kasutatavast süvendist eemal elektrikomponendid ja valgusallikad, mis tekitavad normaalse või ebanormaalse töö korral sädemeid või elektrikaari (nt releed või kaitsmekarbid).
- > Külmiiku isolatsioon sisaldab tuleohtlikku tsüklopentaani ja selle kõrvaldamisel tuleb järgida erinõudeid. Viige külmiik pärast selle kasutusea lõppemist sobivasse kogumispunkti.



#### HOIATUS! Plahvatusoht

Ärge hoiustage külmiikus plahvatusohtlikke esemeid, nagu kütust sisaldavad aerosoolipihustid.



#### HOIATUS! Terviseoht

- > Lapsed alates 8. eluaastast ning piiratud füüsiliste, sensoorsete või vaimsete võimetega või vajalike kogemuste ja teadmisteta isikud võivad seda külmiikut kasutada järelevalve all või pärast seda, kui neid on õpetatud külmiikut ohutult kasutama ja nad mõistavad seadme kasutamise kaasnevaid ohte.
- > 3–8-aastased lapsed võivad külmiikusse asju panna ja sealt välja võtta.
- > Lapsed ei tohi seadet ilma järelevalveta puhastada ega hooldada.
- > Lapsi tuleb valvata, et oleks kindel, et nad külmiikuga ei mängiks.



#### HOIATUS! Laste kinnijäämise oht

- > Veenduge, et riulid oleksid paigaldatud ja kinnitatud nii, et lapsed ei saaks end külmiikusse lukustada.
- > Enne vana külmiiku jäätmekäitluse andmist:
  - demonteerige sahtlid;
  - jätke riulid külmiikusse nii, et lapsed ei saaks sisse ronida.

- > Võtke ukсед eest ära.



### ETTEVAATUST! Terviseoht

- > Külmiку ebastabiilsusest tingitud ohu vältimiseks tuleb see paigaldusjuhendi kohaselt fikseerida.
- > Hoidke külmiку ja selle ümbrise või integreerimisstruktuuri ventilatsioonivad takistusteta.
- > Ärge kasutage sulatamise kiirendamiseks mehaanilisi seadmeid ega muid meetodeid peale tootja poolt soovitatute.
- > Mingil juhul ärge avage ega kahjustage külmaainekontuuri.
- > Ärge kasutage külmiку sees elektriseadmeid, v.a need, mida tootja on selleks otstarbeks soovitanud.



### ETTEVAATUST! Vigastusoht

- > Ärge kasutage ega hoidke selle külmiку läheduses tuleohtlikke materjale.
- > Ärge pange esemeid selle külmiку peale ega vastu.
- > Ärge muutke seda külmiкуt.



### TÄHELEPANU! Kahjustuste oht

- > Valige alalisvoolutoitega töörežiim ainult siis, kui sõiduki mootor töötab ja tagab piisava pinge või kui kasutate aku jälgimisseadet.
- > Selle olemasolul hoidke kondensaadi äravooluava alati puhtana.
- > Kui sõidukil on ventilatsioonivõred, ärge kasutage sõiduki puhastamise ventilatsioonivõre lähedal survepesurit.
- > Külmiкуt ei tohi jätta vihma kätte.
- > Ärge tõmmake pistikut välja seda ühenduskaablist sikutades.

## Külmiку ohutu kasutamine



### OHT! Elektrilöögi oht

Enne külmiку käivitamist veenduge, et toitejuhe ja pistik on kuivad.



### ETTEVAATUST! Terviseoht

- > Veenduge, et paneksite külmiкуsse ainult selliseid asju, mida võib valitud temperatuurile jahutada.
- > Toiduga kokku puutuvaid pindu ja ligipääsetavaid äravoolusüsteeme tuleb regulaarselt puhastada.
- > Säilitage toorest liha ja kala külmiкуs selleks sobivates anumates, nii et need ei puutuks teiste toiduainetega kokku ega saaks neile tilkuda.
- > Kui uks jäetakse pikemaks ajaks lahti, võib temperatuur külmiку sektsioonides oluliselt tõusta. Kui jätate külmiку pikemaks ajaks tühjalt seisma, toimige järgmiselt.
  - Lülitage külmiку välja.
  - Sulatage külmiкуt.
  - Puhastage ja kuivatage külmiку.
  - Jätke uks lahti, et vältida külmiкуs hallituse teket. Võimaluse korral pange külmiку uks ja sügavkülmiку uks talveasendisse.



### ETTEVAATUST! Vigastusoht

- > Ärge pange sõrmi hinge sisse.
- > Enne teeasumist sulgege ja riivistage külmiку uks.
- > Külmiку tagaküljel olev jahutussüsteem läheb töö ajal väga kuumaks. Kui külmiку on varustatud ventilatsioonivõredega, kaitske end ventilatsioonivõrede eemaldamise! kuumade osadega kokkupuutumise eest.



- > Seadme või sügavkülmiku uks võib vale kasutamise korral täielikult seadme küljest ära tulla. Lükake uksi, kuni kuulete üla- ja alaosas klõpsu.



### TÄHELEPANU! Kahjustuste oht

- > Ärge toetuge külmiku avatud uksele.
- > Raskeid esemeid, nagu pudelid ja purgid, hoidke ainult külmiku ukse sees, kõõgiljakambris või alumisel riiulil.
- > Kui külmikul on kahepoolne uks ja uks ei ole vastaspoolele õigesti lukustatud, vajutage sellel poolel ülvalt ja alt, kuni see õigesti lukustub.
- > **Ülekuumenemise oht!** Tagage alati piisav ventilatsioon, et töö ajal tekkiv soojus saaks hajuda. Veenduge, et külmik oleks seintest ja teistest objektidest piisavalt kaugel, et õhk saaks ringelda.
- > Ärge täitke seadme sisemust jää või vedelikuga.
- > Kaitske külmikut ja kaablit kuumuse ning niiskuse eest.
- > Ärge tõmmake pistikut välja seda ühenduskaablist sikutades.



### MÄRKUS

- > Kui sõiduki aku haldussüsteem lülitab külmiku aku kaitsmiseks välja, võtke ühendust sõiduki tootjaga.
- > Ümbritseval temperatuuril 15 °C ... 25 °C valige keskmine temperatuuriseadistus.
- > Kui uks ei ole vastaspoolele õigesti lukustatud, vajutage sellel poolel ülvalt ja alt, kuni see õigesti lukustub.
- > Toidu raiskamise vältimiseks lähtuge järgmistest juhistest.
  - Hoidke temperatuuri võimalikult ühtlasena. Avage sügavkülmikut nii vähe ja nii lühidalt kui võimalik. Paigutage toiduained nii, et õhk saaks nende ümber liikuda.
  - Veenduge, et paneksite külmikusse ainult selliseid asju, mida võib valitud temperatuurile jahutada.
  - Hoidke erinevaid toiduaineid nii, nagu joonistel näidatud.
  - Kui temperatuuri ei saa reguleerida, toimige järgmiselt. Reguleerige temperatuuri vastavalt toiduainete hulga ja liigile.
  - Toiduained võivad kergesti lõhnu või maitseid külge võtta või eraldada. Hoidke toiduaineid alati kaetuna või kinnistes anumates/pudelites.

## 4 Tarnekomplekt

| Kogus | Kirjeldus                     |
|-------|-------------------------------|
| 1     | Kompressorkülmik              |
| 1     | Äravoolu põlv                 |
| 1     | Lühike kasutusjuhend          |
| 1     | Kasutusjuhend (ainult võrgus) |
| 1     | Paigaldusjuhend               |

## 5 Lisatarvikud

Lisatarvikutena on olemas (ei sisaldu tarnekomplektis):

| Kirjeldus                         | Tootenr    |
|-----------------------------------|------------|
| Liughing                          | 9620012939 |
| Kinnitusraam koos alumise raamiga |            |

| Kirjeldus   | Tootenr   |
|---|---|
| <ul style="list-style-type: none"> <li>• NRX0035, NRX0050</li> <li>• NRX0060</li> <li>• NRX0080</li> <li>• NRX0115</li> <li>• NRX0130</li> </ul>  | <p>9620012877</p> <p>9620012881</p> <p>9620012882</p> <p>9620012878</p> <p>9620012876</p> |
| Kinnitusraam koos alumise raamiga (must) <ul style="list-style-type: none"> <li>• NRX0035, NRX0050</li> <li>• NRX0060</li> <li>• NRX0080</li> <li>• NRX0115</li> <li>• NRX0130</li> </ul> | <p>9620012874</p> <p>9620012875</p> <p>9620012880</p> <p>9620012879</p> <p>9620012883</p> |
| Eemaldatud külmutuskambri riuli asendamine <ul style="list-style-type: none"> <li>• NRX0035, NRX0050</li> <li>• NRX0060</li> <li>• NRX0080</li> <li>• NRX0115, NRX0130</li> </ul>         | <p>9620012933</p> <p>9620012938</p> <p>9620012935</p> <p>9620012932</p>                   |
| Külmutuskamber <ul style="list-style-type: none"> <li>• NRX0035, NRX0050</li> <li>• NRX0060</li> <li>• NRX0080</li> <li>• NRX0115, NRX0130</li> </ul>                                     | <p>9620012931</p> <p>9620012936</p> <p>9620012934</p> <p>9620012937</p>                   |
| Vahelduv-/alalisvooluadapter  | <p>9620013449 (EU)</p> <p>9620013450 (UK)</p>   |

## 6 Kasutusotstarve

Külmik on mõeldud järgneva jaoks:

- paigaldamiseks haagissuvilatesse, matkabussidesse, paatidesse ja veokitesse;
- toidu jahutamiseks ja säilitamiseks.
- **Ainult NRX0035–0130(C/S):** eelkülmutatud toidu säilitamiseks.
- kasutus siseruumides.

See külmik ei ole ette nähtud kaubanduslikuks, jaemüügis ega majapidamises kasutamiseks.

Külmik **ei** sobi järgnevaiks:

- ravimite säilitamiseks;
- korrosiivsete või lahusteid sisaldavate ainete säilitamiseks;
- toidu kiirkülmutamiseks.
- kasutus välitingimustes.

Paatides kasutamisel paigaldatakse seade olmeruumi piirkonda ja mitte avatud tekile.

Külmutuskamber sobib eelkülmutatud toidu säilitamiseks, jäätise säilitamiseks või valmistamiseks ning jääkuubikute valmistamiseks. See ei sobi eelkülmutamata toidu külmutamiseks.

Külmik on ette nähtud paigaldamiseks kappi või paigaldusnišši.

Optimaalne jahutustõhusus saavutatakse ümbritseva õhu temperatuuride vahemikus 16 °C ... 43 °C ja maksimaalsel niiskusel 90 % .

See toode sobib kasutamiseks üksnes ettenähtud otstarbel ja käesolevas kasutusjuhendis toodud valdkonnas.

Käesolev juhend sisaldab teavet, mis on vajalik toote korrektseks paigaldamiseks ja/või kasutamiseks. Halva paigalduse ja/või valesti kasutamise või hooldamise korral halvenevad töomadused ja võib tekkida rike.

Tootja ei võta vastutust mis tahes kahju või tootekahjustuse eest, mis on tingitud mõnest järgmisest asjaolust:

- valesti paigaldamine, kokkupanek või ühendamine, sh liigpinge;
- valesti hooldamine või tootja poolt ette nähtud originaalvaruosadest erinevate varuosade kasutamine;
- tootel ilma tootja selge loata tehtud muudatused;
- kasutamine otstarbel, mida ei ole kasutusjuhendis kirjeldatud.

Dometic jätab endale õiguse muuta toote välimust ja tehnilisi näitajaid.

## 7 Tehniline kirjeldus

See külmik on kompressorkülmik.

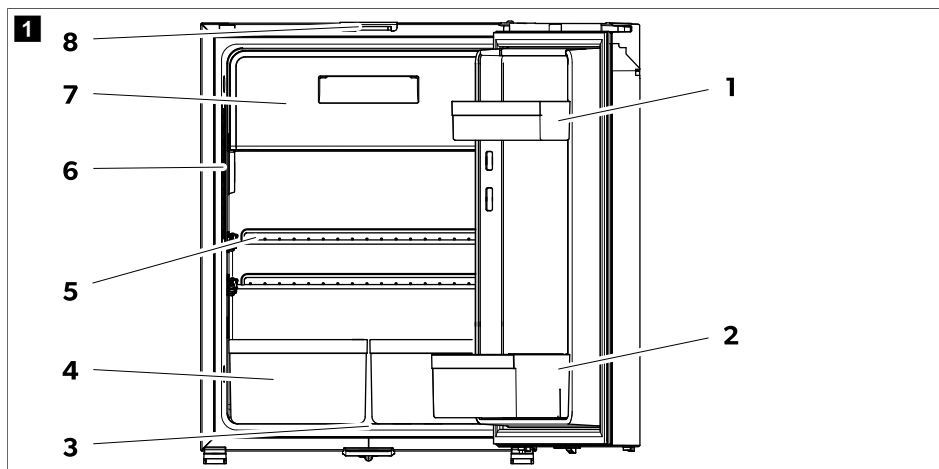
Külmik on mõeldud töötama eri tüüpi võimsusega ja seda saab kasutada kas alalis- või vahelduvvoolu toiteallikaga.

NRX0035–0130(C/S): Sellel mudelil on tehases paigaldatud külmutuskamber, mille saab eemaldada ja uuesti paigaldada.

Külmiku ukсел on riivistusmehhanism, et kaitsta seda transpordi ajal.

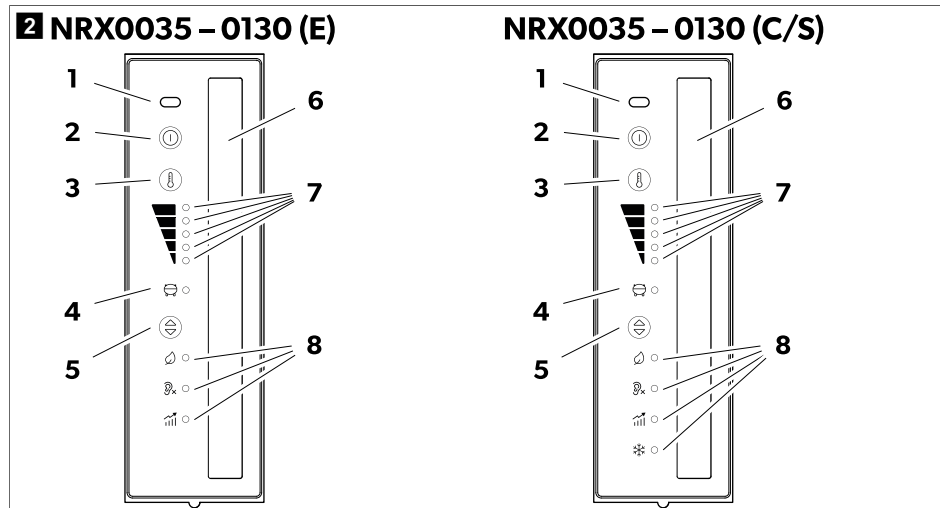
Kõik külmiku materjalid sobivad kasutamiseks koos toiduainetega.


## Seadme kirjeldus



| Nr | Selgitus   |
|----|--|
| 1  | Ukseriül (ainult NRX0035-0130[C/S], NRX0080-0130[E]) |
| 2  | Pudeliriül   |
| 3  | Kondensaadi äravooluava                              |
| 4  | Köögi- ja puuviljasahtel (ainult NRX0035-0130[C/S])  |
| 5  | Kambri riül  |
| 6  | Juhtpaneel koos näidikuga                            |
| 7  | Külmutuskamber (ainult NRX0035-0130[C/S])            |
| 8  | Uksesulgur ventileerimiseks                          |

## Juht- ja näiduelemendid



| Nr | Selgitus  |
|----|---|
| 1  | Ukse avamise infrapunaandur   |
| 2  | ⏻ Sisse-/väljalülitamise nupp   |
| 3  | ❄️ Jahutusastme seadmise nupp   |
| 4  | Kompressori ja veanäidu-LED   |
| 5  | ⊕ Töörežiimi nupp   |
| 6  | Sisevalgustus   |
| 7  | Jahutusastme näidu-LED-id<br> <ul style="list-style-type: none"> <li>■ Jahutusaste 5</li> <li>■ Jahutusaste 4</li> <li>■ Jahutusaste 3</li> <li>■ Jahutusaste 2</li> <li>■ Jahutusaste 1</li> </ul> |
| 8  | Töörežiimi näidu-LED-id   |





## Kompressori ja veanäidu-LED

Kompressori ja veanäidu-LED annab märku kompressori tööolekust või veast:

| Värv           | Kirjeldus                                 |
|----------------|---|
| Valge          | Kompressor sees                           |
| Oranž          | Kompressor väljas                         |
| Oranž (vilkuv) | Viga (vt peatükki Veanäit leheküljel 566) |

## Töörežiimi näidu-LED-id

Töörežiimi näidu-LED-id näitavad järgmisi seadete valikuid:

| Sümbol  | Kirjeldus   |
|---|---|
|  | Energiasäästurežiim:<br>vähendatud energiatarbimisega töötamine.<br>Jahutusastmed 1 – 3   |
|  | Vaikne režiim:<br>vähendatud müratasemega töötamine.<br>Jahutusastmed 1 – 4   |
|  | Jõudlusrežiim:<br>Jahutusastmed 1 – 5   |
|  | Sügavkülmiku režiim (ainult NRX0035–0130[C/S]):<br>eemaldatud külmutuskambri korral töötamine. Jahutab kogu külmiku sisemuse temperatuurile –6 °C . |

## 8 Kasutamine

### 8.1 Enne esmakordset kasutamist

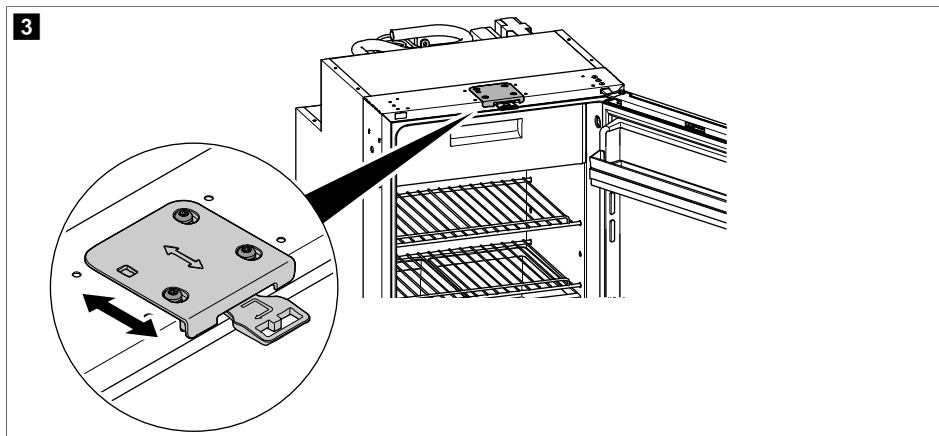


#### MÄRKUS

- > Pärast käivitamist esimese 4 tunni jooksul ärge külmikus kaupa hoidke.
- > Külmiku esmakordsel kasutamisel võib tunda nõrka lõhna, mis hajub mõne tunni pärast. Tuulutage eluruumi põhjalikult.
- > Jahutusvõimsust võib mõjutada:
  - ümbritsev temperatuur (nt kui sõiduk on otsese päikesepaiste käes);
  - külmikus hoitava toidu kogus;
  - kaane avamise sagedus.
- > Puhastage külmiku sisemust hügieeni tagamiseks (vt peatükki Puhastamine ja hooldamine leheküljel 560).
- > Eelkõige käivitamisel ja külmiku täitmisel enne teeasumist parkige sõiduk nii, et see asetseks horisontaalselt.

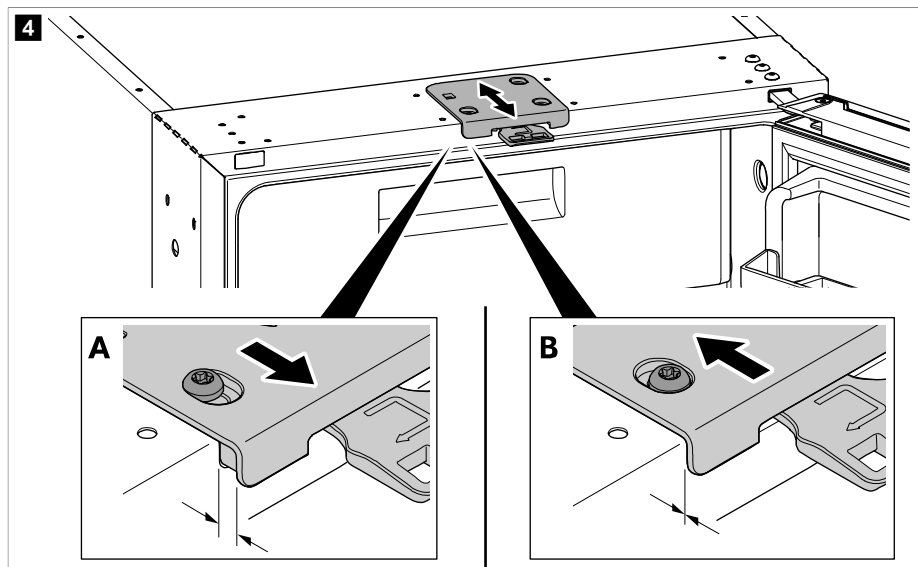
#### 8.1.1 Uksesulguri reguleerimine

Jahekambri ülaosas olevat ukksesulgurit saab reguleerida, et muuta ukse sulgemise laiust.



**MÄRKUS** Kontrollige, kas paigaldatud on reguleeritav ukseulgur. Vajaduse korral tellige reguleeritav ukseulgur ([dometic.com](http://dometic.com)) ja asendage fikseeritud ukseulgur reguleeritava ukseulguriga.

> Ukseulgur on seatud tehases asendisse **A**. Liigutage ukseulgur asendisse **B**.



**MÄRKUS** Kui ukseulgur on asendis **B**, veenduge, et uks riivistuks sulgumisel korralikult (vt peatükki Külmiku ukse sulgemine ja kinnitamine leheküljel 555).

## 8.2 Teave toidu säilitamise kohta



### ETTEVAATUST! Terviseoht

Kui külmik on pikemat aega ümbritseval temperatuuril, mis on madalam kui 10 °C, ei ole külmutuskambri temperatuuri reguleerimine enam tagatud. See võib põhjustada külmutuskambri temperatuuri tõusu ja säilitatava kauba sulamist.

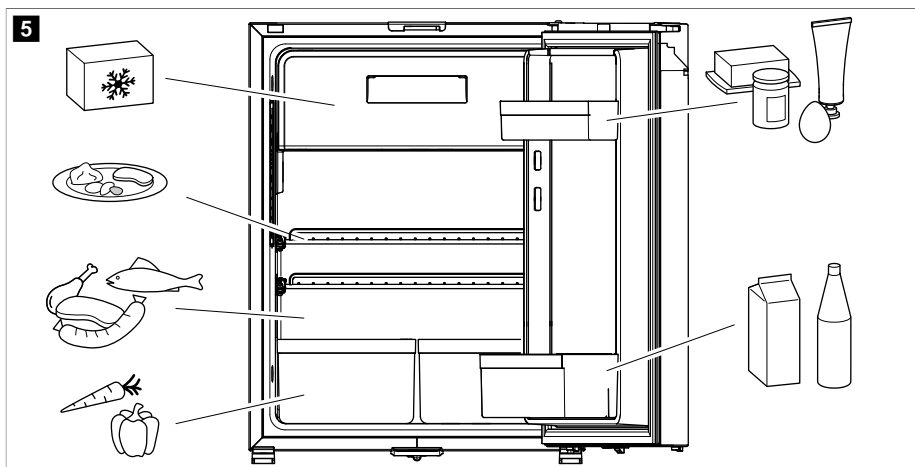


### TÄHELEPANU! Kahjustuste oht

- > Pidage külmiku täitmisel kinni ukseriuli ja ukse kohta lubatud maksimaalsest koormusest (vt Tehnilised andmed leheküljel 566).
- > Ärge hoidke karboniseeritud jooke külmutuskambris.

Toidu raiskamise vältimiseks lähtuge järgmistest juhistest.

- Hoidke temperatuuri võimalikult ühtlasena. Avage külmikut nii vähe ja nii lühidalt kui võimalik. Paigutage toiduained nii, et õhk saaks nende ümber liikuda.
  - Reguleerige temperatuuri vastavalt toiduainete hulgale ja liigile.
  - Hoidke erinevaid toiduaineid nii, nagu joonistel näidatud.
  - Toiduained võivad kergesti lõhnu või maitseid külge võtta või eraldada. Hoidke toiduaineid alati kaetuna või kinnistes anumates/pudelites.
- > Hoidke toitu näidatud viisil.



## 8.3 Energiasääst

- Avage külmikut nii vähe ja nii lühidalt kui võimalik.
- Laske soojal toidul enne seadmesse asetamist jahtuda.
- Sulatage külmik kohe, kui tekib jääkiht.
- Vältige tarbetult madala temperatuuri seadmist.
- Optimaalseks energiatarbimiseks hoidke riuleid ja sahtleid samas asendis, nagu need olid tarnimisel.
- Kontrollige regulaarselt, kas ukse tihend asetub õigesti oma kohale.
- Puhastage tolmu ja mustust kondensaatorilt regulaarselt.



## 8.4 Külmiku ukse kasutamine



### ETTEVAATUST! Vigastusohht

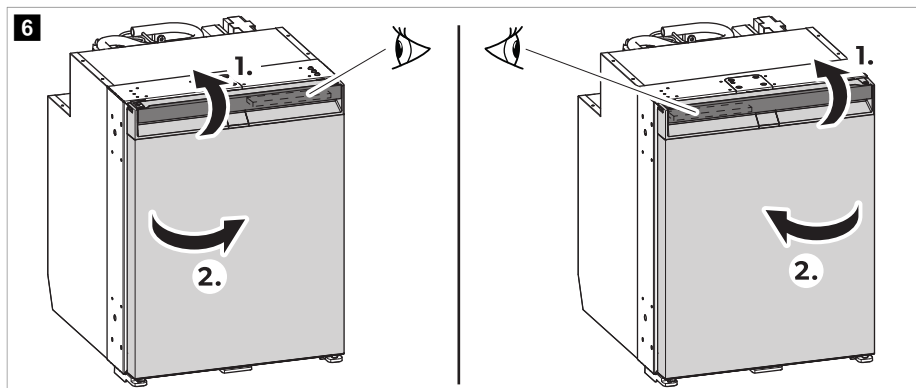
Külmiku või külmutuskambri uks võib vale kasutamise korral täielikult seadme küljest ära tulla.

### 8.4.1 Külmiku ukse avamine



**MÄRKUS** Tõmmake kindlasti ukse piiriku vastasküljel olevat käepidet. Pöörake tähelepanu liuguri vastavale asendile. Vaadake seostatud paigaldusjuhendit.

> Külmiku ukse avamiseks toimige näidatud viisil.



### 8.4.2 Külmiku ukse sulgemine ja kinnitamine



### ETTEVAATUST! Vigastusohht

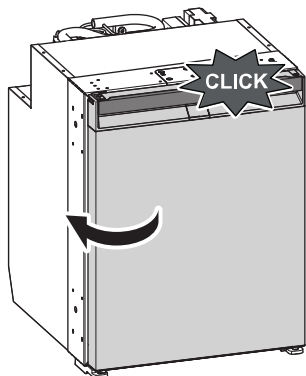
Kui uks ei ole õigesti kinnitatud, vajutage ettevaatlikult ülevalt ja alt, kuni see õigesti kinnitub.



**MÄRKUS** Külmiku uksele on riivistusmehhanism, mis ka kaitseb seda transpordi ajal.

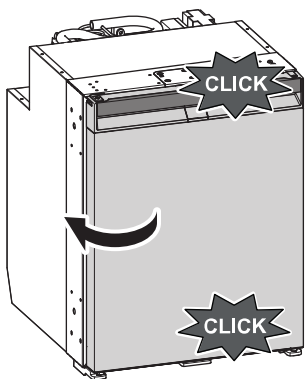
- > NRX0035–0130(E): Vajutage ust kinni, kuni kuulete ülaosas selget klõpsu.

## 7 NRX0035 – 0130 (E)



- > NRX0035–0130(C/S): Vajutage ust kinni, kuni kuulete üla- ja alaosas selget klõpsu.

## 8 NRX0035 – 0130 (C/S)





- ✓ Nüüd on uks suletud ja kinnitatud.

### 8.5 Sisse- ja väljalülitamine



**MÄRKUS** Kui külmikut pikemat aega ei kasutata, lülitage külmik alati välja.

- > Sisselülitamiseks vajutage ja hoidke nuppu  vähemalt 2 s .
- > Külmik lülitub sisse viimati valitud jahutustaseme ja töörežiimiga.
- > Väljalülitamiseks vajutage nuppu  vähemalt 2 s .

## 8.6 Töörežiimide seadmine



**MÄRKUS** Energiasäästu-, jõudlus- ja sügavkülmiku režiimi kasutamisel jääb süsteem sellesse režiimi kuni edasiste muudatuste tegemiseni.

- > Töörežiimi seadmiseks vajutage korduvalt nuppu , kuni süttib soovitud töörežiimi näidiku LED-tuli. Saadaval on järgmised töörežiimid.

### Energiasäästurežiimi kasutamine

Aktiveeritud energiasäästurežiimiga töötab külmik jahutustasemetel 1–3 väiksema energiatarbimisega.

- ✓ Energiasäästurežiimi töörežiimi näidiku LED-tuli ja valitud jahutustaseme näidiku LED-tuli süttib.

### Vaikse režiimi kasutamine

Aktiveeritud vaigse režiimiga töötab külmik jahutustasemetel 1–4 vähendatud müratasemega.



#### MÄRKUS

- > Vaikne režiim ei ole saadaval, kui külmik töötab sügavkülmiku režiimil.
- > Vaikse režiimi kasutamisel jääb külmik 8 h sellele režiimile ja seejärel naaseb eelmisena valitud režiimile (energiasäästu- või jõudlusrežiim).
- ✓ Vaikse režiimi töörežiimi näidiku LED-tuli ja valitud jahutustaseme näidiku LED-tuli süttib.

### Jõudlusrežiimi kasutamine

Aktiveeritud jõudluse režiimiga töötab külmik jahutustasemetel 1–5 standardsel režiimil

- ✓ Jõudlusrežiimi töörežiimi näidiku LED-tuli ja valitud jahutustaseme näidiku LED-tuli süttib.

### Sügavkülmiku režiimi kasutamine

Kui aktiveeritud on sügavkülmiku režiim, jahutatakse kogu külmiku sisemus kuni temperatuurini  $-6^{\circ}\text{C}$ .



**MÄRKUS** Sügavkülmiku režiimi kasutamiseks eemaldage külmutuskamber.

- ✓ Sügavkülmiku režiimi näidiku LED-tuli ja kõik jahutusastme näidiku LED-tuled põlevad püsivalt.

## 8.7 Jahutusastme seadmine

- > Jahutusastme seadistamiseks vajutage nuppu korduvalt, kuni saavutatakse soovitud jahutusaste.

## 8.8 Riilite ümberpaigutamine



#### HOIATUS! Laste kinnijäämise oht

NRX0060–0130: Kõik riulid on fikseeritud, et lapsed ei saaks külmikusse ronida.

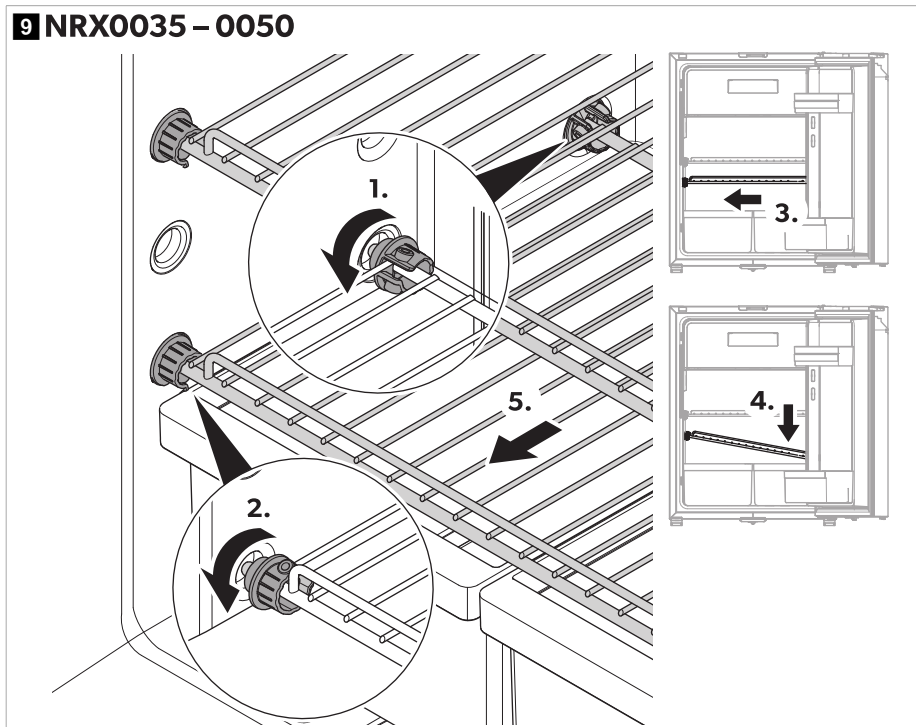
- > Eemaldage riulid ainult puhastamiseks.
- > Pange riulid tagasi ja kinnitage need paika.



**MÄRKUS** Enne riiulite ümberpaigutamist eemaldage külmutuskamber, et pääseksite tagumistele riiulinuppudele hõlpsamalt juurde.

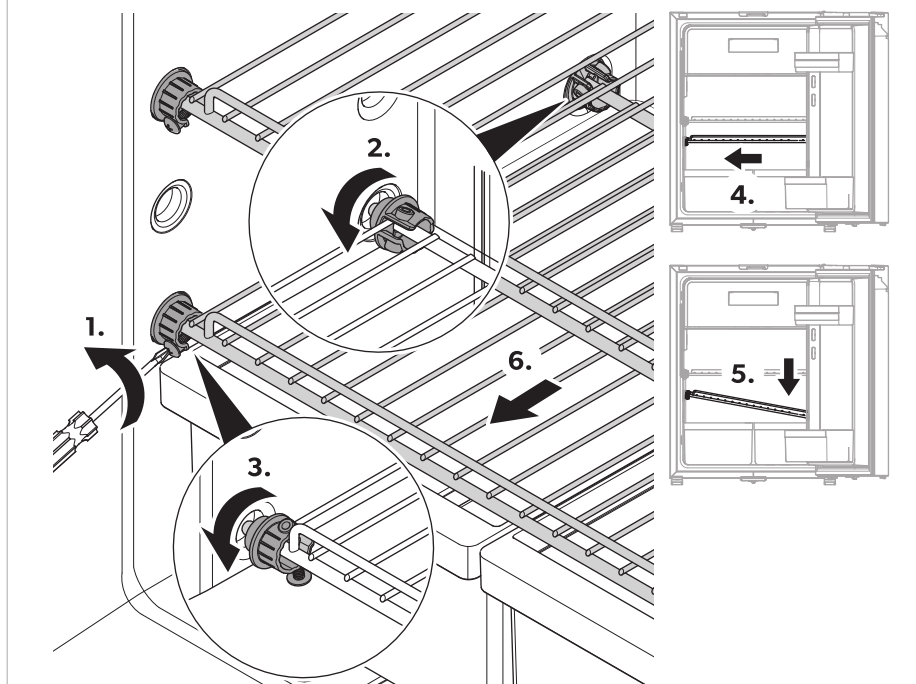
> **NRX0035-0050:** soovi järgi riiulite ümberpaigutamiseks toimige näidatud viisil.

## 9 NRX0035 – 0050



- > **NRX0035-0050:** Soovi järgi riiulite ümberpaigutamiseks toimige näidatud viisil.

## 10 NRX0060 – 0130



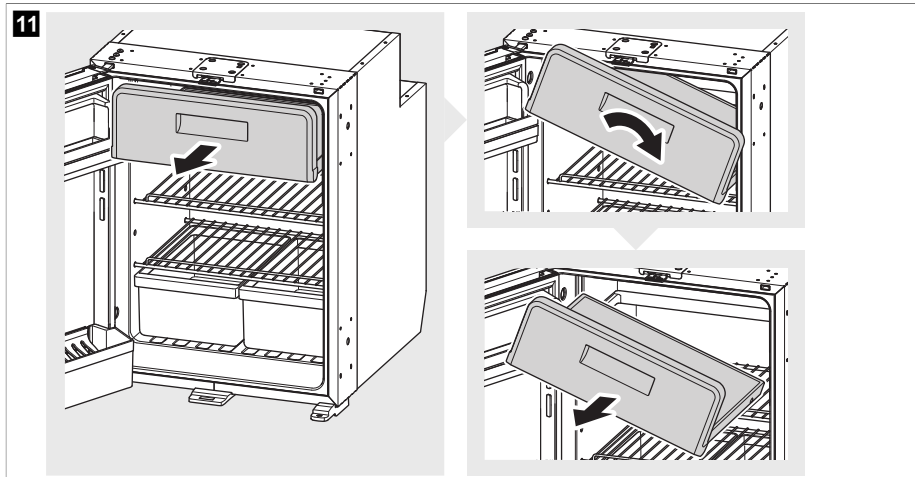
### 8.9 Külmutuskambri eemaldamine



#### TÄHELEPANU! Kahjustuste oht

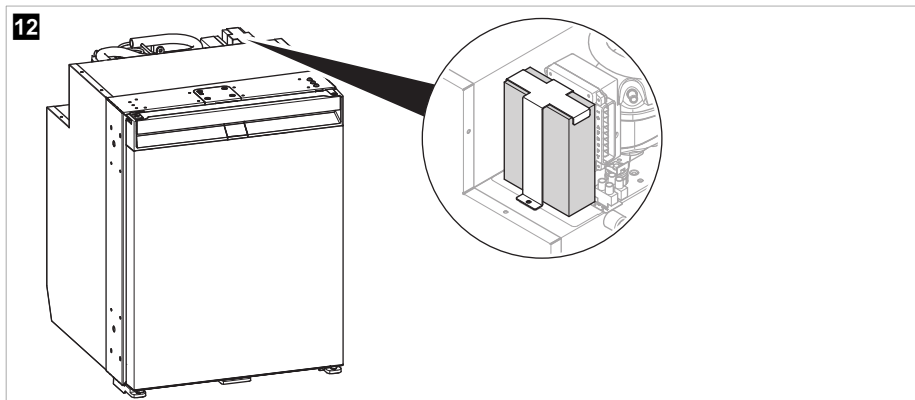
- > Külmutuskambri eemaldamiseks sulgege külmutuskambri uks.
- > Võtke külmutuskambri alaosast kinni. Ärge tõmmake külmutuskambrit uksest hoides.
- > Hoidke külmutuskambrit kuivas ja jahedas kohas.

- > Külmutuskambri eemaldamiseks toimige näidatud viisil.



## 8.10 Vahelduv-/alalisvooluadapteri paigaldamine

- > Vahelduv-/alalisvooluadapteri (tarvikute) paigaldamiseks toimige näidatud viisil.



## 9 Puhastamine ja hooldamine



### HOIATUS! Elektrilöögi oht

Alati enne külmiku puhastamist ja hooldamist lahutage selle toiteühendus.



### TÄHELEPANU! Kahjustuste oht

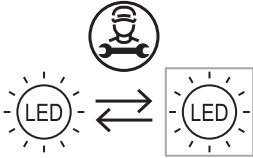
- > Ärge kasutage puhastamiseks abrasiivseid puhastusvahendeid ega kõvu esemeid.
- > Kunagi ärge kasutage kõvu või teravaid tööriistu jää eemaldamiseks või kinnikülmunud toidu vabastamiseks.

- > Veenduge, et vesi ei tilguks tihenditele. See võib elektroonikat kahjustada.



### TÄHELEPANU! Kahjustuste oht

Ohtlike olukordade vältimiseks võib valgusallikat vahetada ainult tootja, hooldustehnik või samalaadse kvalifikatsiooniga isik.



- > Puhastage külmikut regulaarselt niiske lapiga seest ja väljast ning kohe, kui märkate, et see on määrdunud. Pärast puhastamist pühkige külmik lapiga kuivaks.
- > Kontrollige kondensaadi äravooluava regulaarselt.  
Vajaduse korral puhastage kondensaadi äravooluava. Kui see on ummistunud, koguneb kondensaat külmiku alla.
- > Puhastage kondensaatorit korrapäraselt niiske lapiga tolmust ja mustusest.

### Külmaainekontuur

Külmutusagensikontuur ei vaja hooldust.

### Külmiku sulatamine



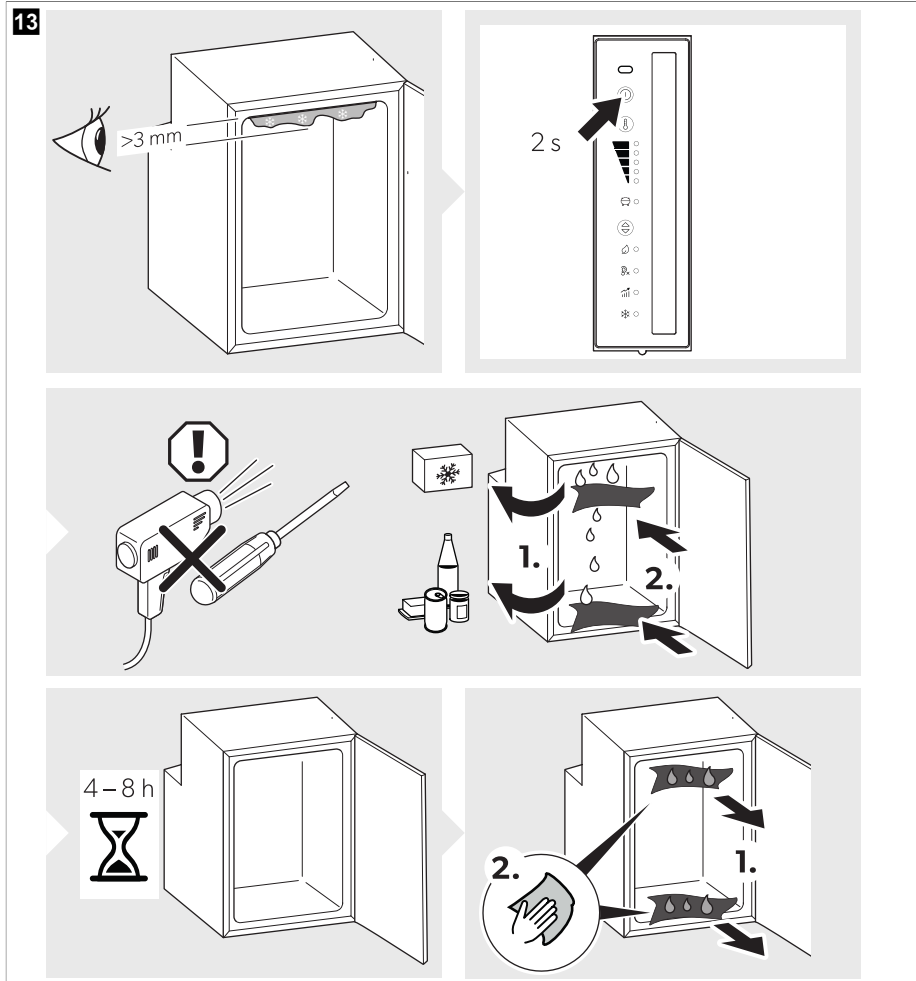
### TÄHELEPANU! Kahjustuste oht

Ärge kasutage sulatamise kiirendamiseks mehaanilisi tööriistu ega mis tahes muid tööriistu.



**MÄRKUS** Aja jooksul tekib külmiku sisse tagaseinale härmatis. Kui härmatisekiht on umbes 3 mm paksune, sulatage külmikut.

> Külmiku sulatamiseks toimige näidatud viisil.



### Külmiku ukse seadmine hoidmisasendisse



**ETTEVAATUST! Vigastusohht**

Hoidmisasendit ei tohi sõidu ajal kasutada.



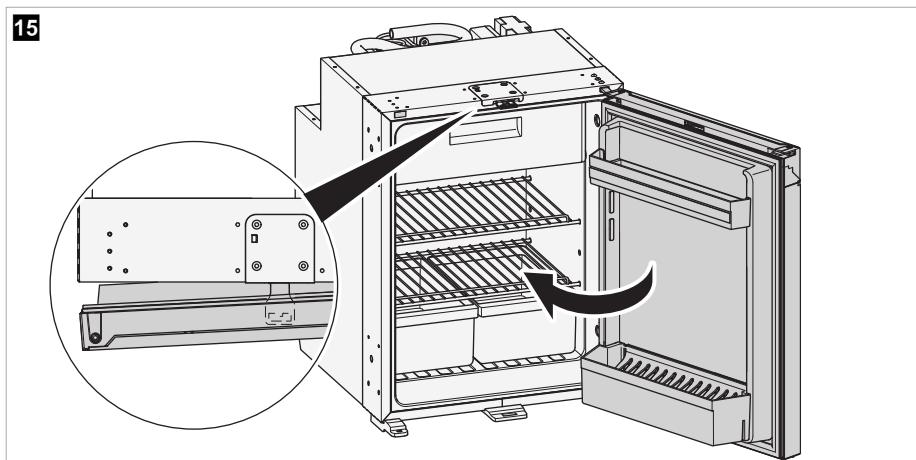
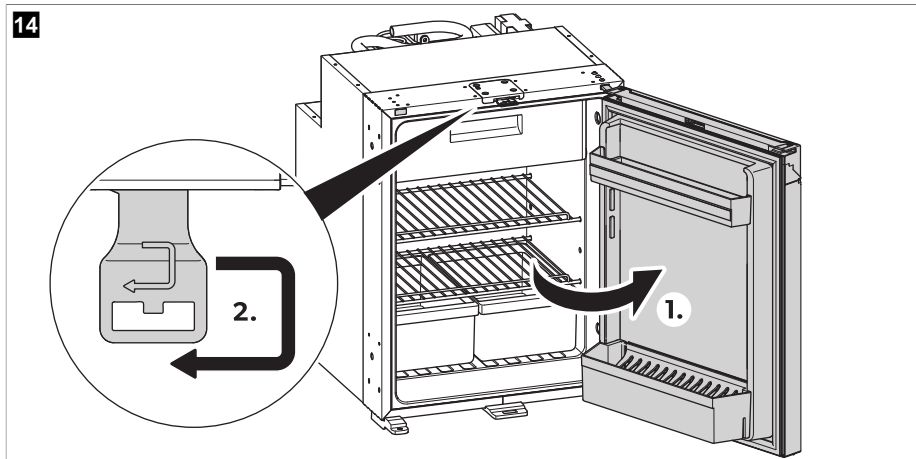
**MÄRKUS**

Kui te seadet pikemat aega ei kasuta, seadke külmiku uks hoidmisasendisse. See aitab hallituse teket ennetada.

> Sulatage külmikut (vt Külmiku sulatamine leheküljel 561).



> Seadke külmiiku uks näidatud viisil hoidmisesensidisse.

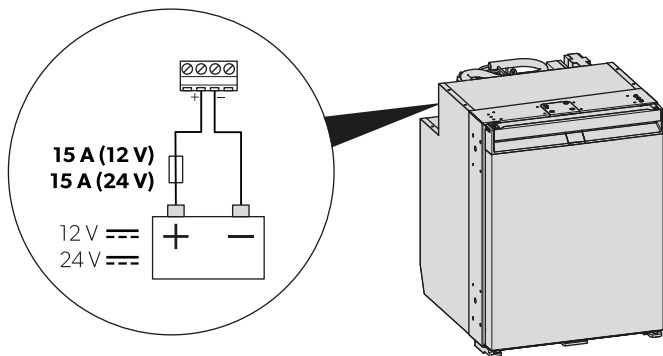



## 10 Tõrkeotsing



**MÄRKUS** Sõidu ajal haagissuvilas 12 V tarbijate ohutuks kasutamiseks peab olema tagatud, et vedavast sõidukist saadav pinge oleks piisav. Mõnes sõidukis võib akuhaldussüsteem aku kaitsmiseks tarbijad automaatselt välja lülitada. Küsige lisateavet sõiduki tootjalt.

16



| Probleem   | Põhjus   | Abinõu   |
|--|--|--|
| Külmik ei tööta.   | Alalisvoolukaabli kaitse on defektne.  | > Vahetage kaitse (  joon. 16 leheküljel 564).  |
|  | Sõiduki kaitse on läbi põlenud.  | > Vahetage sõiduki kaitse välja.<br>Vaadake sõiduki kasutusjuhendit.   |
|  | Sõiduki aku on tühjenenud.   | > Testige akut ja laadige seda.  |
|  | Süüde ei ole sisse lülitatud.  | > Lülitage süüde sisse.  |
|  | Kompressori temperatuur on liiga madal ( $< 0\text{ }^{\circ}\text{C}$ ).                                    | > Sulgege/katke kõik välimised ventilatsioonivõred isolatsioonimaterjaliga täielikult.   |
| Kehv jahutus, sisetemperatuuri tõus. Kompressor töötab pidevalt. | Külmik lülitub automaatselt välja, kui pinge ei ole piisav.<br><br>(Katkestamispinge: 10,4 V $\Rightarrow$ ) | > Laadige akut. Külmik käivitub automaatselt uuesti.<br><br>(Käivitumispinge: 11,7 V $\Rightarrow$ )   |
|  | Ventilatsioon jahutusmooduli ümber ei ole piisav.  | > Kontrollige, et ventilatsioonivõre ei oleks kinni kaetud.<br>> Viige külmik teise kohta.   |
|  | Siseseinad on jäätunud.  | > Kontrollige, kas külmiku uks sulgub korralikult.<br>> Veenduge, et külmiku tihend asetsiks õigesti ega oleks kahjustatud.<br>> Sulatage külmikut (vt Külmiku sulatamine leheküljel 561). |
|  | Temperatuur on liiga kõrgeks seatud.   | > Seadke temperatuur madalamaks.   |
|  | Ümbritsev temperatuur on liiga kõrge.  | > Eemaldage mõneks ajaks ventilatsioonivõre, et soe õhk hajuks kiiremini.  |
|  | Külmikusse pandi korraga liiga palju toitu.  | > Eemaldage osa toitu.   |
|  | Külmikusse pandi korraga liiga palju sooja toitu.  | > Eemaldage soe toit ja laske sellel enne uuesti sissepanemist maha jahtuda.   |
|  | Külmik ei ole eriti kaua töötanud.   | > Kontrollige temperatuuri uuesti 4 h / 5 h pärast.  |

| Probleem  | Põhjus  | Abinõu  |
|---|---|---|
|   | Kondensaator on määrdunud.  | > Puhastage kondensaator (vt peatükk Puhastamine ja hooldamine leheküljel 560). |
|   | Ventilaator on rikkis.  | > Võtke ühendust volitatud hooldustehnikuga.                                    |
| Kehv jahutus, sisetemperatuuri tõus.<br>Kompressor ei tööta sageli.                         | Aku mahutavus on vähenenud.   | > Laadige akut.   |
| Kehv jahutus, sisetemperatuuri tõus.<br>Kompressor ei tööta (aku ühendus).                  | Aku ja elektroonika ühendus on katkenud.  | > Looge ühendus.  |
|   | Pealüliti on defektne (kui see on paigaldatud).   | > Vahetage pealüliti välja.   |
|   | Lisa-toitejuhtme kaitse on läbi põlenud (kui see on paigaldatud).   | > Vahetage toitejuhtme kaitse välja.  |
|   | Aku pinge on liiga madal.   | > Laadige akut.   |
|   | Aku on peaaegu tühi.  | > Vahetage aku välja.   |
|   | Kaablid on lahti.<br>Kontakt on kehv (korrosioon).  | > Looge ühendus.  |
|   | Kaabli ristlõige on liiga väike.  | > Asendage kaabel.  |
|   | Kompressor on defektne.   | > Võtke ühendust volitatud hooldustehnikuga.                                    |
| Kehv jahutus, sisetemperatuuri tõus.<br>Kompressor ei tööta (ühendus vahelduvvoolutoitega). | Ühenduse tarnetoru on katkenud.   | > Looge ühendus.  |
|   | Pealüliti on defektne (kui see on paigaldatud).   | > Vahetage pealüliti välja.   |
|   | Lisa-toitejuhtme kaitse on läbi põlenud (kui see on paigaldatud).   | > Vahetage toitejuhtme kaitse välja.  |
|   | Kompressor on defektne.   | > Võtke ühendust volitatud hooldustehnikuga.                                    |
| Ebatavaline müra.   | Külmaainekontuuri komponent ei saa vabalt liikuda (puutub vastu seina).   | > Painutage komponent takistusest ettevaatlikult eemale.                        |
|   | Jahutusmooduli ja seina vahele on võõrkeha kinni jäänud.  | > Eemaldage võõrkeha.   |
|   | Ventilaatori müra.  | > Võtke ühendust volitatud hooldustehnikuga.                                    |
| Uks avaneb liikumise ajal ettekatsetamatult (nt sõidu ajal).                                | Uksesulgur on seatud asendisse <b>A</b> (vt peatükki Uksesulguri reguleerimine leheküljel 552).                                       | > Seadke ukksesulgur asendisse <b>B</b> .                                       |
| Uks ei sulgu korralikult.   | Uksesulgur on seatud asendisse <b>A</b> (vt peatükki Uksesulguri reguleerimine leheküljel 552).                                       | > Seadke ukksesulgur asendisse <b>B</b> .                                       |
|   | Uksesulgur on seatud asendisse <b>B</b> (vt peatükki Uksesulguri reguleerimine leheküljel 552), kuid uks pole korralikult lukustatud. | > Veenduge, et uks riivistuks sulgemisel korralikult.                           |

## Veanäit



### MÄRKUS

- > Kõigist vigadest antakse märku oranžilt vilkuva veanäidiku LED-tulega (vt Juht- ja näiduelemendid leheküljel 551). Vilkumiste arv oleneb tõrke tüübist. Iga vilkumine kestab veerand sekundit. Pärast vilkumise jada järgneb paus. Vea jada korratakse iga nelja sekundi järel.
- > Energiasäästu-, jõudlus- ja sügavkülmu režiimis kostub täiendav piiks.

| Vilkumiste arv | Viga                               | Võimalik põhjus  |
|----------------|------------------------------------|--|
| 1              | All- või ülepinge                  | Toitepinge on seatud vahemikust väljaspool.  |
| 2              | Liigne ventilaatori vool           | Ventilaatori koormus elektroonikamoodulil on suurem kui 1 A.   |
| 3              | Mootor ei käivitu                  | Roor on kinni.<br>Jahutussüsteemi rõhuerinevus on liiga suur.  |
| 4              | Kiirus on liiga väike              | Kui jahutussüsteem on üle koormatud, ei õnnestu mootori minimaalset kiirust säilitada.                                   |
| 5              | Elektroonikamooduli ülekuumenemine | Kui jahutussüsteem on liiga suure koormuse all või temperatuur on liiga kõrgeks seatud, võib elektroonika üle kuumeneda. |
| Pidev          | Temperatuurianduri vead            | Temperatuurandur on defektne.  |

## 11 Garantii

Kehtib seadusega ettenähtud garantii. Kui toode on defektne, võtke ühendust tootja kohaliku filiaaliga (vt [dometic.com/dealer](http://dometic.com/dealer)) või edasimüüjaga.

Remondi- ja garantiitööde töötlemiseks lisage palun alljärgnevad dokumendid, kui seadme meile saadate:

- ostukuupäevaga arve koopia;
- kaebuse põhjus või vea kirjeldus.

Pange tähele, et kui parandate ise või lasete mittekuulsel parandajal seda teha, võib see ohutust mõjutada ja garantii kehtetuks muuta.

## 12 Kõrvaldamine



### TÄHELEPANU! Kahjustuste oht

Jahutusseadme isolatsioon sisaldab tuleohtlikku tsüklopentaani ja selle kõrvaldamisel tuleb järgida erinõudeid. Viige jahutusseade pärast selle kasutusea lõppemist sobivasse kogumispunkti.



Kui võimalik, pange pakkematerjal vastavasse ringlussevõetava prügi kasti. Küsige nõu kohalikest ringlussevõttekeskusest või edasimüüjalt, kuidas anda toode kehtivate jäätmekäitlusnõuetega kooskõlas jäätmekäitlusse. Euroopa. Toote saab jäätmekäitlusse anda tasuta.

## 13 Tehnilised andmed

Seadmele kehtiva EL-i vastavusdeklaratsiooni leiate vastavalt tootelehelte aadressil [dometic.com](http://dometic.com) või tootjaga otse ühendust võttes (vt [dometic.com/dealer](http://dometic.com/dealer)).

See seade vastab UN ECE määrulese R10.

|  | NRX0035(E/C/S)   | NRX0050(E/C/S)            | NRX0060(E/C/S)           |
|--|--|---------------------------|--------------------------|
| Täite kogus                                      |  |                           |                          |
| • Jahekamber (ainult NRX0035–0130[C/S])          | 27,3 L   | 39,6 L                    | 48,9 L                   |
| • Külmutuskamber (ainult NRX0035–0130[C/S])      | 4,4 L  | 4,4 L                     | 6,1 L                    |
| • Kogumaht                                       | 32 L   | 44 L                      | 55 L                     |
| • Kogumaht (külmutuskamber on eemaldatud)        | 34 L   | 46 L                      | 58 L                     |
| Ühenduspinge                                     |  | 12 / 24 V==               |                          |
| Toiteaku kaitse ( 12 V )                         |  |                           |                          |
| • Katkestamispinge                               |  | 10,4 V                    |                          |
| • Käivitumispinge                                |  | 11,7 V                    |                          |
| Toiteaku kaitse ( 24 V )                         |  |                           |                          |
| • Katkestamispinge                               |  | 22,8 V                    |                          |
| • Käivitumispinge                                |  | 24,2 V                    |                          |
| Kliimaklass                                      |  | T                         |                          |
| Hoiustamistemperatuuride vahemik:                |  |                           |                          |
| • Külmik   |  | 0 °C ... 12 °C            |                          |
| • Külmutuskamber (ainult NRX0035–0130[C/S])      |  | -15 °C ... -5 °C          |                          |
| • Sügavkülmiku režiim (ainult NRX0035–0130[C/S]) |  | -6 °C                     |                          |
| Ettenähtud ümbritsev temperatuur kasutamisel     |  | 16 °C ... 43 °C           |                          |
| Külmaaine  |  | R134a                     |                          |
| Külmutusagensi kogus                             | 24 g   | 26 g                      | 30 g                     |
| CO2 ekvivalent                                   | 0,034 t  | 0,037 t                   | 0,043 t                  |
| Globaalse soojenemise potentsiaal (GSP)          |  | 1430                      |                          |
| Müraemissioon (EN 60704)                         |  | 40 ... 45 dB(A)           |                          |
| Mõõtmed K × L × S                                | 525 × 380 × 355 mm<br>(ilma kompressori ja vahetükita)<br>525 mm × 380 mm × 480 mm<br>(koos kompressori ja vahetükiga) | 525 mm × 380 mm × 510 mm  | 525 mm × 448 mm × 537 mm |
| Netokaal   | E: 13,5 kg<br>C, S: 16 kg  | E: 14,5 kg<br>C, S: 17 kg | E: 16 kg<br>C, S: 17 kg  |

**ET NRX35-130**

|   | <b>NRX0035(E/C/S)</b>    | <b>NRX0050(E/C/S)</b> | <b>NRX0060(E/C/S)</b> |
|---|--------------------------|-----------------------|-----------------------|
| Maksimaalne koormus                                 |                          |                       |                       |
| • Ukseriüli kohta                                   | 4 kg                     | 4 kg                  | 5 kg                  |
| • Ukse kohta  | E: 4 kg<br>C/S: 8 kg     | E: 4 kg<br>C/S: 8 kg  | E: 5 kg<br>C/S: 10 kg |
|   | <b>NRX0080(E/C/S)</b>    | <b>NRX0115(E/C/S)</b> | <b>NRX0130(E/C/S)</b> |
| Täite kogus   |                          |                       |                       |
| • Jahekamber (ainult NRX0035–0130[C/S])             | 68,4 L                   | 104,5 L               | 118 L                 |
| • Külmutuskamber (ainult NRX0035–0130[C/S])         | 6,6 L                    | 8,2 L                 | 8,2 L                 |
| • Kogumaht  | 75 L                     | 113 L                 | 126 L                 |
| • Kogumaht (külmutuskamber on eemaldatud)           | 78 L                     | 116 L                 | 130 L                 |
| Ühenduspinge  | 12 / 24 V <sup>===</sup> |                       |                       |
| Toiteaku kaitse ( 12 V )                            |                          |                       |                       |
| • Katkestamispinge                                  | 10,4 V                   |                       |                       |
| • Käivitumispinge                                   | 11,7 V                   |                       |                       |
| Toiteaku kaitse ( 24 V )                            |                          |                       |                       |
| • Katkestamispinge                                  | 22,8 V                   |                       |                       |
| • Käivitumispinge                                   | 24,2 V                   |                       |                       |
| Kliimaklass   | T                        |                       |                       |
| Hoiustamistemperatuurivahe-<br>mik:                 |                          |                       |                       |
| • Külmik  | 0 °C ... 12 °C           |                       |                       |
| • Külmutuskamber (ainult NRX0035–0130[C/S])         | -15 °C ... -5 °C         |                       |                       |
| • Sügavkülmiku režiim (ai-<br>nult NRX0035–0130C/S) | -6 °C                    |                       |                       |
| Ettenähtud ümbritsev tempe-<br>ratuur kasutamisel   | 16 °C ... 43 °C          |                       |                       |
| Külmaaine   | R134a                    |                       |                       |
| Külmutusagensi kogus                                | 32 g                     | 40 g                  | 40 g                  |
| CO2 ekvivalent                                      | 0,046 t                  | 0,057 t               | 0,057 t               |
| Globaalse soojenemise po-<br>tentsiaal (GSP)        | 1430                     |                       |                       |
| Müraemissioon (EN 60704)                            | 40 ... 45 dB(A)          |                       |                       |
| Mõõtmed K × L × S                                   | 625 × 475 × 537 mm       | 745 × 525 × 568 mm    | 812 × 525 × 568 mm    |

|                     | NRX0080(E/C/S)          | NRX0115(E/C/S)          | NRX0130(E/C/S)          |
|---------------------|-------------------------|-------------------------|-------------------------|
| Netokaal            | C, S: 20 kg<br>E: 18 kg | C, S: 26 kg<br>E: 24 kg | C, S: 27 kg<br>E: 25 kg |
| Maksimaalne koormus |                         |                         |                         |
| • Ukseriüli kohta   | 5 kg                    | 6 kg                    | 6 kg                    |
| • Ukse kohta        | 10 kg                   | E: 12 kg<br>C/S: 18 kg  | E: 12 kg<br>C/S: 18 kg  |

## 14 Tehnilised andmed

Seadmele kehtiva EL-i vastavusdeklaratsiooni leiata vastavalt tootelehelts aadressil [dometic.com](http://dometic.com) või tootjaga otse ühendust võttes (vt [dometic.com/dealer](http://dometic.com/dealer)).

See seade vastab UN ECE määrulesele R10.

|  | NRX0090V                |
|--|-------------------------|
| Täite kogus                                  |                         |
| • Jahekamber                                 | 79 L                    |
| • Külmutuskamber                             | 8,4 L                   |
| • Kogumaht                                   | 87 L                    |
| • Kogumaht (külmutuskamber on eemaldatud)    | 92 L                    |
| Ühenduspinge                                 | 12 / 24 V <sup>==</sup> |
| Toiteaku kaitse (12 V)                       |                         |
| • Katkestamispinge                           | 10,4 V                  |
| • Käivitumispinge                            | 11,7 V                  |
| Toiteaku kaitse (24 V)                       |                         |
| • Katkestamispinge                           | 22,8 V                  |
| • Käivitumispinge                            | 24,2 V                  |
| Energiatarbimine                             | 0,35 kWh / 24 h         |
| Kliimaklass                                  | T                       |
| Hoiustamistemperatuurivahemik:               |                         |
| • Külmik                                     | 0 °C ... 15 °C          |
| • Külmutuskamber                             | -12 °C ... -5 °C        |
| • Sügavkülmi režiim                          | -5 °C ± 2 °C            |
| Ettenähtud ümbritsev temperatuur kasutamisel | 16 °C ... 43 °C         |
| Külmaaine                                    | R600a                   |
| Külmutusagensi kogus                         | 22 g                    |
| CO <sub>2</sub> -ekvivalent                  | 0,000 t                 |

|   | <b>NRX0090V</b>          |
|---|--------------------------|
| Globaalse soojenemise potentsiaal (GSP)   | 3                        |
| Müraheide (EN60704) <ul style="list-style-type: none"><li>• Jõudlusrežiim</li><li>• Vaikne režiim</li></ul> | < 40 dB(A)<br>37 dB(A)   |
| Mõõtmed K × L × S   | 821 mm × 486 mm × 480 mm |
| Netokaal  | 22 kg                    |



## Ελληνικά

|    |                              |     |
|----|------------------------------|-----|
| 1  | Σημαντικές σημειώσεις.....   | 571 |
| 2  | Επεξήγηση των συμβόλων.....  | 571 |
| 3  | Υποδείξεις ασφαλείας.....    | 572 |
| 4  | Περιεχόμενα συσκευασίας..... | 575 |
| 5  | Πρόσθετος εξοπλισμός.....    | 575 |
| 6  | Προβλεπόμενη χρήση.....      | 576 |
| 7  | Τεχνική περιγραφή.....       | 577 |
| 8  | Λειτουργία.....              | 580 |
| 9  | Καθαρισμός και φροντίδα..... | 588 |
| 10 | Αντιμετώπιση βλαβών.....     | 591 |
| 11 | Εγγύηση.....                 | 595 |
| 12 | Απόρριψη.....                | 595 |
| 13 | Τεχνικά στοιχεία.....        | 595 |
| 14 | Τεχνικά στοιχεία.....        | 598 |

## 1 Σημαντικές σημειώσεις

Παρακαλούμε να διαβάσετε προσεκτικά αυτές τις οδηγίες και να ακολουθήσετε όλες τις οδηγίες, τους κανονισμούς και τις προειδοποιήσεις που περιλαμβάνονται στο εγχειρίδιο αυτού του προϊόντος, έτσι ώστε να διασφαλίζεται πάντοτε η σωστή εγκατάσταση, χρήση και συντήρηση του προϊόντος. Αυτές οι οδηγίες ΠΡΕΠΕΙ πάντοτε να συνοδεύουν το προϊόν.

Με τη χρήση του προϊόντος επιβεβαιώνετε δια του παρόντος ότι έχετε διαβάσει προσεκτικά όλες τις οδηγίες, τους κανονισμούς και τις προειδοποιήσεις καθώς και ότι έχετε κατανοήσει και συμφωνείτε να τηρήσετε τους όρους και τις προϋποθέσεις που ορίζονται στο παρόν έγγραφο. Συμφωνείτε να χρησιμοποιείτε αυτό το προϊόν μόνο για τον προβλεπόμενο σκοπό και την προβλεπόμενη χρήση, πάντοτε σύμφωνα με τις οδηγίες, τους κανονισμούς και τις προειδοποιήσεις που ορίζονται στο παρόν εγχειρίδιο προϊόντος καθώς και σύμφωνα με όλους τους ισχύοντες νόμους και κανονισμούς. Σε περίπτωση μη ανάγνωσης και τήρησης των οδηγιών και των προειδοποιήσεων που ορίζονται στο παρόν έγγραφο, ενδέχεται να προκληθούν τραυματισμοί σε εσάς τον ίδιο και σε τρίτους, ζημιά στο προϊόν σας ή υλικές ζημιές σε άλλες ιδιοκτησίες στο άμεσο περιβάλλον. Αυτό το εγχειρίδιο προϊόντος, συμπεριλαμβανομένων των οδηγιών, των κανονισμών, των προειδοποιήσεων και των σχετικών εγγράφων, ενδέχεται να υποβληθεί να τροποποιηθεί σε τροποποιήσεις και ενημερώσεις. Για ενημερωμένες πληροφορίες για το προϊόν, επισκεφθείτε την ηλεκτρονική διεύθυνση [documents.domestic.com](http://documents.domestic.com).

## 2 Επεξήγηση των συμβόλων

Μια λέξη σήμανσης επιτρέπει την αναγνώριση μηνυμάτων για την ασφάλεια και μηνυμάτων για υλικές ζημιές και υποδεικνύει τον βαθμό ή το επίπεδο σοβαρότητας του κινδύνου.



### ΚΙΝΔΥΝΟΣ!

Καταδεικνύει μια επικίνδυνη κατάσταση, η οποία εάν δεν αποτραπεί, θα προκληθεί θανατηφόρο ατύχημα ή σοβαρός τραυματισμός.



### ΠΡΟΕΙΔΟΠΟΙΗΣΗ!

Καταδεικνύει μια επικίνδυνη κατάσταση, η οποία εάν δεν αποτραπεί, μπορεί να προκληθεί θανατηφόρο ατύχημα ή σοβαρός τραυματισμός.



### ΠΡΟΦΥΛΑΞΗ!

Καταδεικνύει μια επικίνδυνη κατάσταση, η οποία εάν δεν αποτραπεί, μπορεί να προκληθεί μικρή ή μέτρια σοβαρότητας τραυματισμός.



### ΠΡΟΣΟΧΗ!

Καταδεικνύει μια κατάσταση, η οποία εάν δεν αποτραπεί, μπορεί να προκληθούν υλικές ζημιές.



**ΥΠΟΔΕΙΞΗ** Συμπληρωματικές πληροφορίες για τον χειρισμό του προϊόντος.

### 3 Υποδείξεις ασφαλείας

#### Βασική ασφάλεια



##### **ΠΡΟΕΙΔΟΠΟΙΗΣΗ! Κίνδυνος ηλεκτροπληξίας**

- > Η τοποθέτηση και η αφαίρεση του ψυγείου επιτρέπεται να πραγματοποιούνται μόνο από ειδικευμένο προσωπικό.
- > Η τοποθέτηση σε υγρούς χώρους και περιοχές εκτεθειμένες σε νερό πρέπει να πραγματοποιείται μόνο από εξειδικευμένο τεχνικό.
- > Εάν εγκαθιστάτε το ψυγείο κάτω από υπόστεγο ή παρόμοιο περιβάλλον, βεβαιωθείτε ότι το ψυγείο προστατεύεται από τη βροχή και το πιτσίλισμα του νερού.
- > Μη θέσετε σε λειτουργία το ψυγείο, εάν παρουσιάζει εμφανείς ζημιές.
- > Οι εργασίες επισκευής του ψυγείου επιτρέπεται να πραγματοποιούνται μόνο από ειδικευμένο τεχνικό προσωπικό. Τυχόν μη ενδεδειγμένες επισκευές ενδέχεται να οδηγήσουν σε σοβαρό κίνδυνο ή ζημιά στο ψυγείο.
- > Εάν προκληθεί ζημιά στο καλώδιο τροφοδοσίας αυτού του ψυγείου, το καλώδιο πρέπει να αντικατασταθεί από τον κατασκευαστή, έναν τεχνικό του τμήματος εξυπηρέτησης πελατών ή έναν άλλο τεχνικό με παρόμοια εξειδίκευση, για να αποφευχθούν τυχόν κίνδυνοι ασφαλείας.
- > Κατά την τοποθέτηση του ψυγείου, βεβαιωθείτε ότι το καλώδιο τροφοδοσίας δεν μαγκώνεται ή υφίσταται ζημιά.
- > Μην τοποθετείτε φορητά πολύπριζα ή φορητές μονάδες τροφοδοσίας στην πίσω πλευρά του ψυγείου.
- > Μην πιάνετε τυχόν εκτεθειμένα καλώδια με γυμνά χέρια.
- > Συνδέστε τη συσκευή σε πρίζες που διασφαλίζουν τη σωστή σύνδεση, ειδικά εάν η συσκευή πρέπει να είναι γειωμένη.
- > Εάν η συσκευή τροφοδοτείται με ρεύμα από το ηλεκτρικό δίκτυο, βεβαιωθείτε οπωσδήποτε ότι η τροφοδοσία ηλεκτρικού ρεύματος προστατεύεται μέσω ασφαλειοδιακόπτη ρεύματος διαρροής (RCCB) ή διακόπτη κυκλώματος βλάβης γείωσης (GFCI). Η εγκατάσταση πρέπει να πραγματοποιείται σύμφωνα με όλους τους ισχύοντες κανονισμούς, ειδικά σε πιθανώς υγρές περιοχές.



##### **ΠΡΟΕΙΔΟΠΟΙΗΣΗ! Κίνδυνος πυρκαγιάς**

- > Το κύκλωμα ψυκτικού μέσου περιέχει μια μικρή ποσότητα ενός φιλικού προς το περιβάλλον, ψυκτικού μέσου. Δεν προκαλεί ζημιά στο στρώμα του όζοντος και δεν αυξάνει το φαινόμενο του θερμοκηπίου. Σε περίπτωση διαρροής, το ψυκτικό μέσο ενδέχεται να αναφλεγεί.
- > Μη χρησιμοποιείτε ή αποθηκεύετε το ψυγείο σε περιορισμένους χώρους χωρίς καθόλου ή με ελάχιστη ροή αέρα.
- > Διατηρήστε την εσοχή τοποθέτησης για το ψυγείο ελεύθερη από τυχόν ηλεκτρικά εξαρτήματα και φωτεινές πηγές, που ενδέχεται κατά τη φυσιολογική ή τη μη φυσιολογική λειτουργία τους να παράξουν σπινθήρες ή ηλεκτρικά τόξα (π.χ. ρελέ ή ασφαλειοθήκες).
- > Η μόνωση του ψυγείου περιέχει εύφλεκτο κυκλοπεντάνιο και απαιτεί ειδικές διαδικασίες απόρριψης. Παραδώστε το ψυγείο στο τέλος του κύκλου ζωής του σε ένα κατάλληλο κέντρο ανακύκλωσης.



##### **ΠΡΟΕΙΔΟΠΟΙΗΣΗ! Κίνδυνος έκρηξης**

Μην αποθηκεύετε καμία εκρηκτική ουσία στο ψυγείο, όπως π.χ. φιάλες αερολυμάτων με προωθητικά αέρια.



#### **ΠΡΟΕΙΔΟΠΟΙΗΣΗ! Κίνδυνος για την υγεία**

- > Αυτό το ψυγείο μπορεί να χρησιμοποιηθεί από παιδιά ηλικίας 8 ετών και επάνω καθώς και άτομα με μειωμένες φυσικές, αισθητηριακές ή πνευματικές ικανότητες ή με έλλειψη εμπειρίας και γνώσεων, εάν επιτηρούνται ή τους έχουν δοθεί οδηγίες σχετικά με τη χρήση του ψυγείου με ασφαλή τρόπο και κατανοούν τους σχετικούς κινδύνους.
- > Τα παιδιά ηλικίας 3 έως 8 ετών επιτρέπεται να γεμίζουν και να αδειάζουν το ψυγείο.
- > Ο καθαρισμός και η συντήρηση χρήστη δεν επιτρέπεται να πραγματοποιούνται από παιδιά χωρίς επιτήρηση.
- > Τα παιδιά θα πρέπει να επιτηρούνται, ώστε να διασφαλίζεται ότι δεν παίζουν με το ψυγείο.



#### **ΠΡΟΕΙΔΟΠΟΙΗΣΗ! Κίνδυνος παγίδευσης για παιδιά**

- > Βεβαιωθείτε ότι τα ράφια είναι τοποθετημένα και ασφαλισμένα, έτσι ώστε να μην είναι δυνατός ο κλειδωθόν παιδιά μέσα στο ψυγείο.
- > Πριν από την απόρριψη του παλαιού σας ψυγείου:
  - Αποσυναρμολογήστε τα συρτάρια.
  - Αφήστε τα ράφια μέσα στο ψυγείο ώστε να μην μπορούν να μπουν μέσα τα παιδιά.
- > Αφαιρέστε τις πόρτες.



#### **ΠΡΟΦΥΛΑΞΗ! Κίνδυνος για την υγεία**

- > Για την αποφυγή τυχόν κινδύνων λόγω αστάθειας του ψυγείου, η συσκευή πρέπει να στερεώνεται σύμφωνα με τις οδηγίες τοποθέτησης.
- > Διατηρήστε τα ανοίγματα αερισμού στο ψυγείο και στο περίβλημά του ή στην κατασκευή εντοιχισμού ανοιχτά και χωρίς εμπόδια.
- > Μη χρησιμοποιείτε μηχανικές διατάξεις ή άλλα μέσα για να επιταχύνετε τη διαδικασία απόψυξης, τα οποία δεν συνιστώνται από τον κατασκευαστή.
- > Μην ανοίγετε ή προκαλείτε σε καμία περίπτωση ζημιά στο κύκλωμα ψυκτικού μέσου.
- > Μη χρησιμοποιείτε ηλεκτρικές συσκευές στο εσωτερικό του ψυγείου, εκτός εάν συνιστώνται από τον κατασκευαστή για το σκοπό αυτό.



#### **ΠΡΟΦΥΛΑΞΗ! Κίνδυνος τραυματισμού**

- > Μη χρησιμοποιείτε ή αποθηκεύετε εύφλεκτα υλικά μέσα ή κοντά σε αυτό το ψυγείο.
- > Μην τοποθετείτε ή στηρίζετε πράγματα επάνω σε αυτό το ψυγείο.
- > Μην τροποποιείτε αυτό το ψυγείο.



#### **ΠΡΟΣΟΧΗ! Κίνδυνος πρόκλησης ζημιάς**

- > Επιλέξτε τη λειτουργία με τροφοδοσία συνεχούς ρεύματος, μόνο εάν ο κινητήρας του οχήματος λειτουργεί και παρέχει επαρκή τάση ή εάν χρησιμοποιείται συσκευή παρακολούθησης μπαταριών.
- > Εάν υπάρχει, διατηρείτε τον σωλήνα αποστράγγισης συμπυκνωμάτων πάντοτε καθαρό.
- > Εάν το ψυγείο διαθέτει γρίλιες εξαερισμού, μην χρησιμοποιείτε συσκευές καθαρισμού υψηλής πίεσης κοντά στη γρίλια αερισμού κατά τον καθαρισμό του οχήματος.
- > Το ψυγείο απαγορεύεται να εκτίθεται στη βροχή.
- > Μην τραβάτε ποτέ το καλώδιο σύνδεσης, για να αποσυνδέσετε το φιν από την πρίζα.

## Ασφάλεια κατά τη λειτουργία της συσκευής



### **ΚΙΝΔΥΝΟΣ! Κίνδυνος ηλεκτροπληξίας**

Πριν από την έναρξη λειτουργίας του ψυγείου, βεβαιωθείτε ότι το καλώδιο τροφοδοσίας και το φιλτράρισμα είναι στεγνά.



### **ΠΡΟΦΥΛΑΞΗ! Κίνδυνος για την υγεία**

- > Βεβαιωθείτε ότι στο ψυγείο τοποθετούνται μόνο προϊόντα, τα οποία επιτρέπεται να ψύχονται στην επιλεγμένη θερμοκρασία.
- > Καθαρίζετε τακτικά τις επιφάνειες που μπορεί να έρθουν σε επαφή με τρόφιμα καθώς και τα προσβάσιμα συστήματα αποχέτευσης.
- > Αποθηκεύστε το ωμό κρέας και τα ψάρια σε κατάλληλα δοχεία μέσα στο ψυγείο, έτσι ώστε να μην έρχονται σε επαφή με άλλα τρόφιμα και να μην μπορούν να στάξουν επάνω σε άλλα τρόφιμα.
- > Το παρατεταμένο άνοιγμα της πόρτας μπορεί να προκαλέσει σημαντική αύξηση της θερμοκρασίας στους χώρους του ψυγείου. Εάν το ψυγείο παραμείνει άδειο για μεγάλα χρονικά διαστήματα:
  - Απενεργοποιήστε το ψυγείο.
  - Πραγματοποιήστε απόψυξη του ψυγείου.
  - Καθαρίστε και στεγνώστε το ψυγείο.
  - Αφήστε την πόρτα ανοιχτή, για να αποτρέψετε τον σχηματισμό μούχλας μέσα στο ψυγείο. Εάν υπάρχει, τοποθετήστε την πόρτα του ψυγείου και την πόρτα του καταψύκτη στη χειμερινή θέση.



### **ΠΡΟΦΥΛΑΞΗ! Κίνδυνος τραυματισμού**

- > Μη βάζετε τα δάκτυλά σας μέσα στον μεντεσέ.
- > Κλείστε και ασφαλίστε την πόρτα του ψυγείου πριν ξεκινήσετε ένα ταξίδι.
- > Κατά τη λειτουργία, η μονάδα ψύξης στην πίσω πλευρά του ψυγείου ζεσταίνεται πάρα πολύ. Εάν το ψυγείο είναι εξοπλισμένο με γρίλιες εξαερισμού, προστατευθείτε από την επαφή με καυτά μέρη όταν αφαιρείτε τις γρίλιες εξαερισμού.
- > Η πόρτα της συσκευής ή η πόρτα του χώρου κατάψυξης μπορεί να αποσυνδεθεί εντελώς από τη συσκευή, εάν χρησιμοποιηθεί με λανθασμένο τρόπο. Πιέστε τις πόρτες στη θέση κλεισίματος, μέχρι να ακουστεί ο χαρακτηριστικός ήχος κλικ στην επάνω και στην κάτω πλευρά.



### **ΠΡΟΣΟΧΗ! Κίνδυνος πρόκλησης ζημιάς**

- > Μη στηρίζετε επάνω στην ανοιχτή πόρτα του χώρου συντήρησης.
- > Τα βαριά αντικείμενα, όπως π.χ. μπουκάλια ή κουτάκια ροφημάτων, πρέπει να τοποθετούνται μόνο στην πόρτα του ψυγείου, στο συρτάρι λαχανικών ή στο κάτω ράφι.
- > Εάν το ψυγείο διαθέτει πόρτα που μπορεί να ανοίξει και προς τις δύο πλευρές και η πόρτα δεν είναι ασφαλισμένη σωστά στην απέναντι πλευρά, πιέστε προσεκτικά την πόρτα επάνω και κάτω στην αντίστοιχη πλευρά, μέχρι να ασφαλίσει στη θέση της.
- > **Κίνδυνος υπερθέρμανσης!** Διασφαλίζετε πάντοτε επαρκή αερισμό, έτσι ώστε να απομακρύνεται επαρκώς η θερμότητα, που δημιουργείται κατά τη λειτουργία. Βεβαιωθείτε ότι το ψυγείο έχει επαρκή απόσταση από τοιχώματα και άλλα αντικείμενα, ώστε να διευκολύνεται η κυκλοφορία του αέρα.
- > Μη γεμίζετε το εσωτερικό με πάγο ή υγρά.
- > Προστατέψτε το ψυγείο και τα καλώδια από τη ζέση και την υγρασία.
- > Μην τραβάτε ποτέ το καλώδιο σύνδεσης, για να αποσυνδέσετε το φιλτράρισμα από την πρίζα.



### ΥΠΟΔΕΙΞΗ

- > Επικοινωνήστε με τον κατασκευαστή του οχήματός σας, εάν το σύστημα διαχείρισης μπαταρίας του οχήματός σας απενεργοποιεί το ψυγείο, για να προστατέψει την μπαταρία.
- > Σε θερμοκρασίες περιβάλλοντος από 15 °C ... 25 °C επιλέξτε τη μεσαία ρύθμιση θερμοκρασίας.
- > Εάν η πόρτα δεν είναι ασφαλισμένη σωστά στην απέναντι πλευρά, πιέστε προσεκτικά την πόρτα επάνω και κάτω στην αντίστοιχη πλευρά, μέχρι να ασφαλίσει στη θέση της.
- > Για αποφευχθεί η σπατάλη τροφίμων, τηρήστε τα εξής:
  - Αποφύγετε κατά το δυνατόν τις διακυμάνσεις της θερμοκρασίας. Ανοίξτε την κατάψυξη μόνο όσο συχνά και για όση ώρα είναι πραγματικά απαραίτητο. Αποθηκεύστε τα τρόφιμα κατά τέτοιο τρόπο, ώστε να μην εμποδίζεται η καλή κυκλοφορία του αέρα.
  - Βεβαιωθείτε ότι στο ψυγείο τοποθετούνται μόνο προϊόντα, τα οποία επιτρέπεται να ψύχονται στην επιλεγμένη θερμοκρασία.
  - Αποθηκεύστε τους διάφορους τύπους τροφίμων σύμφωνα με τα σχήματα.
  - Εάν η θερμοκρασία μπορεί να ρυθμιστεί: Προσαρμόστε τη θερμοκρασία στην ποσότητα και στο είδος των τροφίμων.
  - Τα τρόφιμα μπορούν εύκολα να απορροφήσουν ή να απελευθερώσουν οσμή ή γεύση. Τα τρόφιμα πρέπει πάντοτε να αποθηκεύονται καλυμμένα ή μέσα σε κλειστά δοχεία / φιάλες.

## 4 Περιεχόμενα συσκευασίας

| Ποσότητα | Περιγραφή                       |
|----------|---------------------------------|
| 1        | Ψυγείο συμπιεστή                |
| 1        | Γωνία αποστράγγισης             |
| 1        | Συνοπτικό εγχειρίδιο χρήσης     |
| 1        | Εγχειρίδιο χρήσης (μόνο online) |
| 1        | Εγχειρίδιο τοποθέτησης          |

## 5 Πρόσθετος εξοπλισμός

Διαθέσιμος πρόσθετος εξοπλισμός (δεν περιλαμβάνονται στη συσκευασία):

| Περιγραφή  | Κωδικός    |
|--|------------|
| Συρόμενος μεντεσές                                 | 9620012939 |
| Πλαίσιο στερέωσης συμπεριλ. πλαισίου βάσης         |            |
| • NRX0035, NRX0050                                 | 9620012877 |
| • NRX0060  | 9620012881 |
| • NRX0080  | 9620012882 |
| • NRX0115  | 9620012878 |
| • NRX0130  | 9620012876 |
| Πλαίσιο στερέωσης συμπεριλ. πλαισίου βάσης (μαύρο) |            |

| Περιγραφή   | Κωδικός  |
|---|--|
| <ul style="list-style-type: none"> <li>NRX0035, NRX0050</li> </ul>  | 9620012874   |
| <ul style="list-style-type: none"> <li>NRX0060</li> </ul>   | 9620012875   |
| <ul style="list-style-type: none"> <li>NRX0080</li> </ul>   | 9620012880   |
| <ul style="list-style-type: none"> <li>NRX0115</li> </ul>   | 9620012879   |
| <ul style="list-style-type: none"> <li>NRX0130</li> </ul>   | 9620012883   |
| Πρόσθετο ράφι για τοποθέτηση μετά από αφαίρεση του χώρου κατάψυξης <ul style="list-style-type: none"> <li>NRX0035, NRX0050</li> <li>NRX0060</li> <li>NRX0080</li> <li>NRX0115, NRX0130</li> </ul> | 9620012933<br>9620012938<br>9620012935<br>9620012932 |
| Χώρος κατάψυξης <ul style="list-style-type: none"> <li>NRX0035, NRX0050</li> <li>NRX0060</li> <li>NRX0080</li> <li>NRX0115, NRX0130</li> </ul>  | 9620012931<br>9620012936<br>9620012934<br>9620012937 |
| Προσαρμογέας AC/DC  | 9620013449 (EU)<br>9620013450 (UK)                   |

## 6 Προβλεπόμενη χρήση

Το ψυγείο προορίζεται για:

- Εγκατάσταση σε συρόμενα τροχόσπιτα, αυτοκινούμενα τροχόσπιτα, σκάφη και φορτηγά
- Ψύξη και αποθήκευση τροφίμων
- Μόνο NRX0035-0130(C/S):** Αποθήκευση προκατεψυγμένων τροφίμων
- Χρήση σε εσωτερικό χώρο

Αυτό το ψυγείο δεν προορίζεται για εμπορική χρήση, χρήση λιανικής πώλησης ή οικιακή χρήση.

Το ψυγείο **δεν** είναι κατάλληλο για:

- Αποθήκευση φαρμάκων
- Αποθήκευση διαβρωτικών ουσιών ή ουσιών που περιέχουν διαλύτες
- Τρόφιμα ταχείας κατάψυξης
- Χρήση σε εξωτερικό χώρο

Όταν χρησιμοποιείται σε σκάφη, η συσκευή πρέπει να εγκαθίσταται σε αίθουσα ψυχαγωγίας και όχι σε ανοιχτό κατάστρωμα.

Ο χώρος κατάψυξης είναι κατάλληλος για την αποθήκευση προκατεψυγμένων τροφίμων, την αποθήκευση ή την παρασκευή παγωτού και για να φτιάχνετε παγάκια. Δεν ενδείκνυται για την κατάψυξη τροφίμων που προηγουμένως έχουν ξεπαγώσει.

Το ψυγείο προορίζεται για εγκατάσταση σε ντουλάπι ή εσοχή τοποθέτησης.

Η βέλτιστη απόδοση ψύξης παρέχεται σε θερμοκρασίες περιβάλλοντος μεταξύ 16 °C ... 43 °C και σε μέγιστη υγρασία 90 % .

Αυτό το προϊόν είναι κατάλληλο μόνο για τον προβλεπόμενο σκοπό και την προβλεπόμενη χρήση σύμφωνα με αυτές τις οδηγίες.

Αυτό το εγχειρίδιο παρέχει πληροφορίες που είναι απαραίτητες για τη σωστή εγκατάσταση και χρήση του προϊόντος. Σε περίπτωση λανθασμένης εγκατάστασης ή/και χρήσης ή συντήρησης, θα προκύψει μη ικανοποιητική απόδοση και, πιθανώς, βλάβη.

Ο κατασκευαστής δεν αποδέχεται καμία ευθύνη για τυχόν τραυματισμούς ή ζημιές στο προϊόν, που οφείλονται σε:

- Λανθασμένη τοποθέτησης, συναρμολόγηση ή σύνδεση, συμπεριλαμβανομένης της υπερβολικά υψηλής τάσης
- Λανθασμένη συντήρηση ή χρήση μη αυθεντικών ανταλλακτικών εξαρτημάτων, που δεν προέρχονται από τον κατασκευαστή
- Μετατροπές στο προϊόν χωρίς τη ρητή άδεια του κατασκευαστή
- Χρήση για σκοπούς διαφορετικούς από αυτούς που περιγράφονται σε αυτό το εγχειρίδιο

Η Dometic διατηρεί το δικαίωμα αλλαγής της εμφάνισης και των προδιαγραφών του προϊόντος.

## 7 Τεχνική περιγραφή

Το ψυγείο αυτό είναι ένα ψυγείο συμπιεστή.

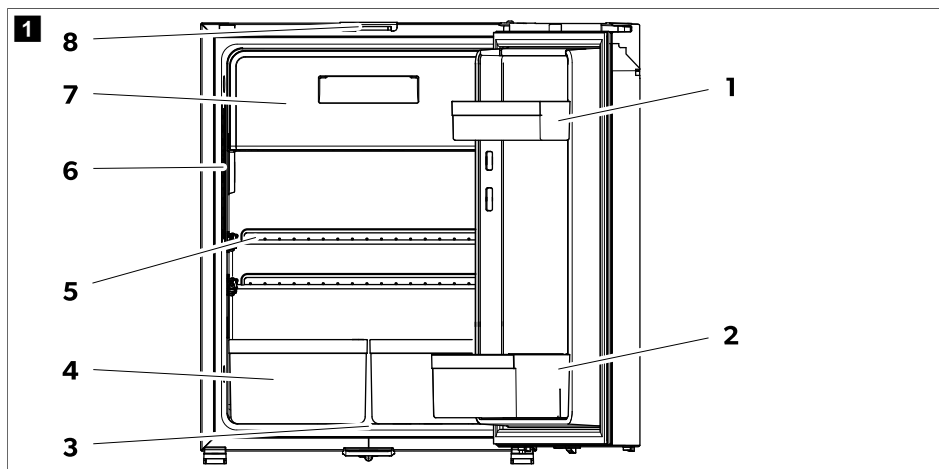
Το ψυγείο έχει σχεδιαστεί για λειτουργία με διάφορα είδη τροφοδοσίας και μπορεί να λειτουργήσει με τροφοδοσία συνεχούς (DC) ή εναλλασσόμενου (AC) ρεύματος.

NRX0035-0130(C/S): Το μοντέλο αυτό διαθέτει από το εργοστάσιο έναν χώρο κατάψυξης, ο οποίος μπορεί να αφαιρεθεί και να επανατοποθετηθεί.

Η πόρτα του ψυγείου διαθέτει έναν μηχανισμό ασφάλισης για την προστασία του κατά τη μεταφορά.

Όλα τα υλικά που χρησιμοποιούνται στο ψυγείο είναι κατάλληλα για χρήση με τρόφιμα.

## Περιγραφή της συσκευής

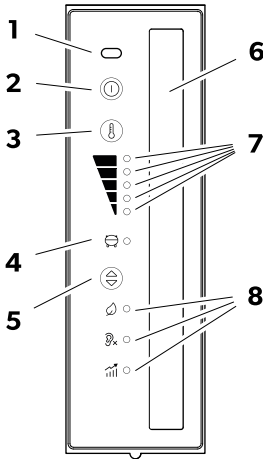


| Αρ. | Επεξήγηση   |
|-----|---|
| 1   | Ράφι πόρτας (μόνο στα NRX0035-0130[C/S], NRX0080-0130[E]) |
| 2   | Ράφι φιαλών   |
| 3   | Σωλήνας αποστράγγισης συμπυκνωμάτων                       |
| 4   | Συρτάρι λαχανικών (μόνο στο NRX0035-0130[C/S])            |
| 5   | Ράφι θαλάμου συντήρησης                                   |
| 6   | Πίνακας ελέγχου με οθόνη                                  |
| 7   | Χώρος κατάψυξης (μόνο NRX0035 - 0130[C/S])                |
| 8   | Ασφάλεια πόρτας για αερισμό                               |

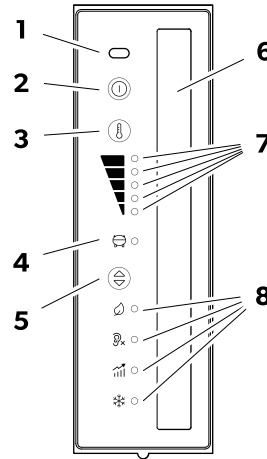



## Στοιχεία χειρισμού και ενδείξεων

### NRX0035 – 0130 (E)



### NRX0035 – 0130 (C/S)



| Αρ. | Επεξήγηση  |
|-----|--|
| 1   | Αισθητήρας υπερύθρων ανοίγματος πόρτας   |
| 2   | Ⓞ Πλήκτρο ON/OFF   |
| 3   | Ⓜ Πλήκτρο ρύθμισης επιπέδου ψύξης  |
| 4   | Ενδεικτική λυχνία LED συμπιεστή και σφάλματος  |
| 5   | Ⓢ Πλήκτρο τρόπου λειτουργίας   |
| 6   | Εσωτερικός φωτισμός  |
| 7   | Ενδεικτικές λυχνίες LED επιπέδου ψύξης<br> <ul style="list-style-type: none"> <li>Επίπεδο ψύξης 5</li> <li>Επίπεδο ψύξης 4</li> <li>Επίπεδο ψύξης 3</li> <li>Επίπεδο ψύξης 2</li> <li>Επίπεδο ψύξης 1</li> </ul> |
| 8   | Ενδεικτικές λυχνίες LED τρόπου λειτουργίας   |





### Ενδεικτική λυχνία LED συμπιεστή και σφάλματος

Η ενδεικτική λυχνία LED συμπιεστή και σφάλματος απεικονίζει την κατάσταση λειτουργίας του συμπιεστή ή καταδεικνύει σφάλμα:

| Color                  | Περιγραφή   |
|------------------------|---|
| Λευκό                  | Συμπιεστής ενεργοποιημένος                              |
| Πορτοκαλί              | Συμπιεστής απενεργοποιημένος                            |
| Πορτοκαλί (αναβόσβημα) | Σφάλμα (βλ. κεφάλαιο 'Ένδειξη σφαλμάτων στη σελίδα 594) |

## Ενδεικτικές λυχνίες LED τρόπου λειτουργίας

Οι ενδεικτικές λυχνίες LED τρόπου λειτουργίας καταδεικνύουν τις παρακάτω επιλογές ρύθμισης:

| Σύμβολο   | Περιγραφή   |
|---|---|
|  | Λειτουργία ECO:<br>Λειτουργία με μειωμένη κατανάλωση ενέργειας.<br>Επίπεδο ψύξης 1 – 3  |
|  | Λειτουργία QUIET:<br>Λειτουργία με μειωμένη στάθμη θορύβου.<br>Επίπεδο ψύξης 1 – 4  |
|  | Λειτουργία απόδοσης (PERFORMANCE):<br>Επίπεδο ψύξης 1 – 5   |
|  | Λειτουργία FREEZER (μόνο στο NRX0035-0130[C/S]):<br>Λειτουργία με αφαίρεση του χώρου κατάψυξης. Ολόκληρος ο εσωτερικός χώρος του ψυγείου ψύχεται στους $-6^{\circ}\text{C}$ . |

## 8 Λειτουργία

### 8.1 Πριν από την πρώτη χρήση

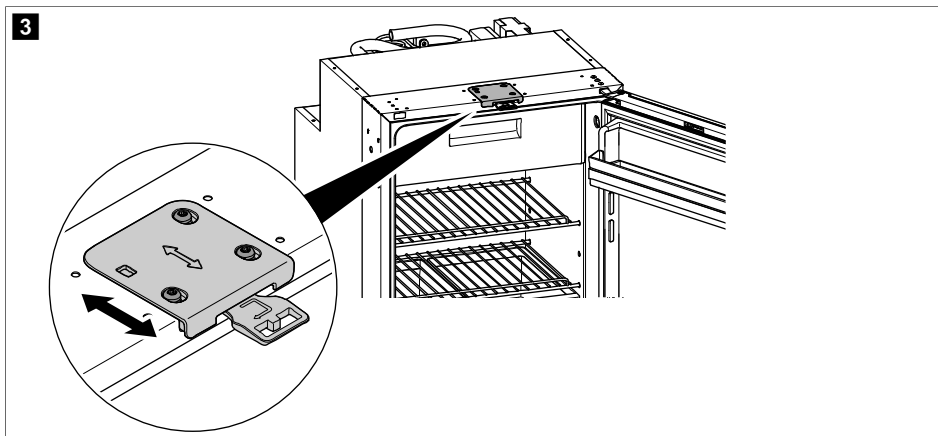


#### ΥΠΟΔΕΙΞΗ

- > Μην αποθηκεύετε προϊόντα στο ψυγείο κατά τις πρώτες 4 ώρες μετά από τη θέση του σε λειτουργία.
- > Κατά την πρώτη έναρξη χρήσης του ψυγείου ενδέχεται να δημιουργηθούν οσμές, οι οποίες εξουδετερώνονται μετά από μερικές ώρες. Εξαερίζετε καλά τον χώρο διαβίωσης.
- > Η ψυκτική ισχύς μπορεί να επηρεαστεί από:
  - Τη θερμοκρασία περιβάλλοντος (π.χ. όταν το όχημα είναι εκτεθειμένο σε άμεση ηλιακή ακτινοβολία)
  - Την ποσότητα των τροφίμων, που πρέπει να ψυχθούν
  - Τη συχνότητα ανοίγματος της πόρτας
- > Καθαρίστε το εσωτερικό του ψυγείου για λόγους υγιεινής (βλ. Καθαρισμός και φροντίδα στη σελίδα 588).
- > Σταθμεύστε το όχημα σε οριζόντια επιφάνεια, ειδικά πριν από την έναρξη χρήσης και την πλήρωση του ψυγείου πριν από ταξίδι.

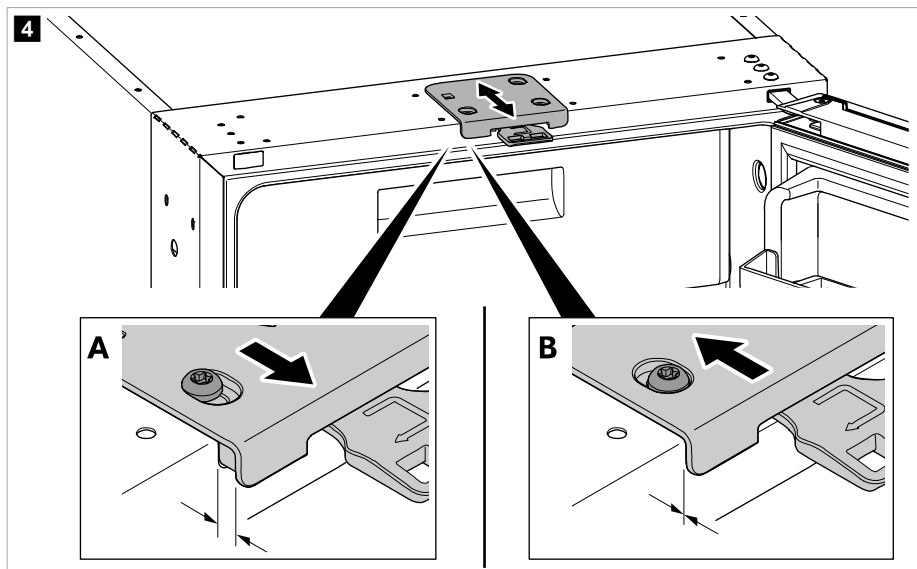
#### 8.1.1 Προσαρμογή της ασφάλειας πόρτας

Η ασφάλεια της πόρτας στο πάνω μέρος του ψυγείου μπορεί να ρυθμιστεί για να προσαρμόσετε το πλάτος κλεισίματος της πόρτας.



**i** **ΥΠΟΔΕΙΞΗ** Ελέγξτε αν έχει τοποθετηθεί η ρυθμιζόμενη ασφάλεια πόρτας. Εάν είναι απαραίτητο, παραγγείλετε τη ρυθμιζόμενη ασφάλεια πόρτας ([dometic.com](http://dometic.com)) και αντικαταστήστε τη σταθερή ασφάλεια πόρτας με τη ρυθμιζόμενη ασφάλεια πόρτας.

> Η ασφάλεια πόρτας έχει ρυθμιστεί στη θέση **A** από το εργοστάσιο. Μετακινήστε την ασφάλεια της πόρτας στη θέση **B**.



**i** **ΥΠΟΔΕΙΞΗ** Εάν η ασφάλεια της πόρτας βρίσκεται στη θέση **B**, βεβαιωθείτε ότι η πόρτα ασφαλίζει σωστά όταν κλείνει (βλ. Κεφάλαιο Κλείσιμο και ασφάλιση της πόρτας του ψυγείου στη σελίδα 583).

## 8.2 Πληροφορίες για την αποθήκευση τροφίμων



### ΠΡΟΦΥΛΑΞΗ! Κίνδυνος για την υγεία

Εάν το ψυγείο εκτεθεί σε θερμοκρασία περιβάλλοντος χαμηλότερη από 10 °C για μεγάλο χρονικό διάστημα, δεν μπορεί πλέον να διασφαλιστεί η ρύθμιση θερμοκρασίας του χώρου κατάψυξης. Έτσι μπορεί να προκληθεί αύξηση της θερμοκρασίας του χώρου κατάψυξης και ξεπάγωμα των αποθηκευμένων προϊόντων.

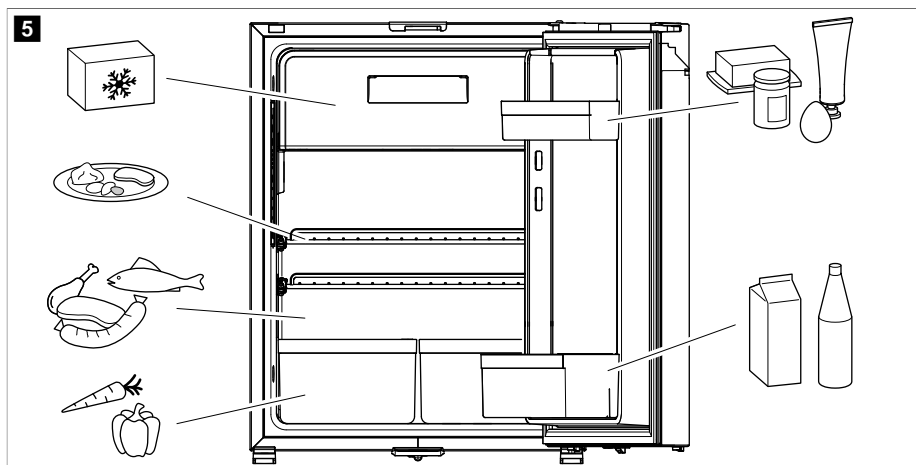


### ΠΡΟΣΟΧΗ! Κίνδυνος πρόκλησης ζημιάς

- > Τηρήστε κατά την πλήρωση του ψυγείου το μέγιστο φορτίο για κάθε ράφι πόρτας και για την πόρτα (βλέπε Τεχνικά στοιχεία στη σελίδα 595).
- > Μη βάζετε στον χώρο κατάψυξης ανθρακούχα ποτά.

Για αποφευχθεί η σπατάλη τροφίμων, τηρήστε τα εξής:

- Αποφύγετε κατά το δυνατόν τις διακυμάνσεις της θερμοκρασίας. Ανοίξτε το ψυγείο μόνο όσο συχνά και για όση ώρα είναι πραγματικά απαραίτητα. Αποθηκεύστε τα τρόφιμα κατά τέτοιον τρόπο, ώστε να μην εμποδίζεται η καλή κυκλοφορία του αέρα.
- Προσαρμόστε τη θερμοκρασία στην ποσότητα και στο είδος των τροφίμων.
- Αποθηκεύστε τους διάφορους τύπους τροφίμων σύμφωνα με τα σχήματα.
- Τα τρόφιμα μπορούν εύκολα να απορροφήσουν ή να απελευθερώσουν οσμή ή γεύση. Τα τρόφιμα πρέπει πάντοτε να αποθηκεύονται καλυμμένα ή μέσα σε κλειστά δοχεία / φιάλες.
- > Αποθηκεύστε τα τρόφιμα σύμφωνα με την απεικόνιση.



## 8.3 Εξοικονόμηση ενέργειας

- Ανοίξτε το ψυγείο μόνο όσο συχνά και για όση ώρα είναι πραγματικά απαραίτητο.
- Αφήστε τα ζεστά τρόφιμα να κρυώσουν, πριν τα τοποθετήσετε στη συσκευή για να τα ψύξετε.
- Πραγματοποιήστε απόψυξη του ψυγείου, μόλις σχηματιστεί στρώμα πάγου.
- Αποφύγετε τις ανατίνα υπερβολικά χαμηλές ρυθμίσεις της θερμοκρασίας.
- Για τη βέλτιστη κατανάλωση ενέργειας, τοποθετήστε τα ράφια και τα συρτάρια στη θέση που είχαν κατά την παράδοση της συσκευής.

- Πρέπει να βεβαιώνεστε σε τακτική βάση ότι το λάστιχο στεγανοποίησης της πόρτας εφαρμόζει σωστά.
- Καθαρίζετε ανά τακτά χρονικά διαστήματα τη σκόνη και τους ρύπους από τον συμπυκνωτή.

## 8.4 Χρήση της πόρτας του ψυγείου



### ΠΡΟΦΥΛΑΞΗ! Κίνδυνος τραυματισμού

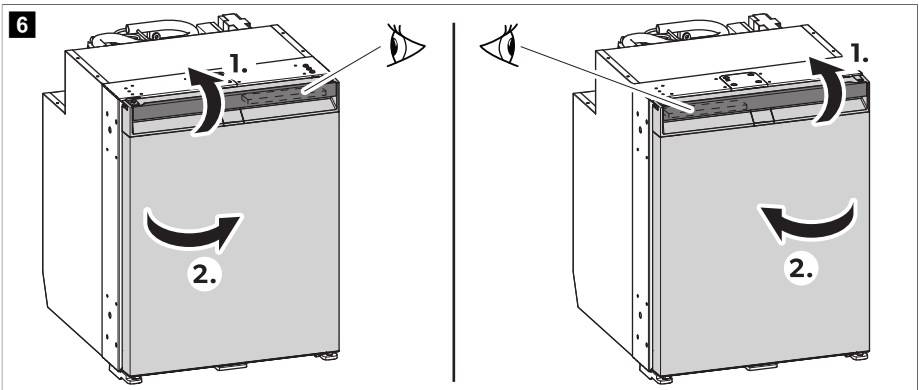
Η πόρτα του ψυγείου και η πόρτα του χώρου κατάψυξης μπορεί να αποσυνδεθούν εντελώς από τη συσκευή, εάν χρησιμοποιηθούν λανθασμένα.

### 8.4.1 Άνοιγμα της πόρτας του ψυγείου



**ΥΠΟΔΕΙΞΗ** Βεβαιωθείτε ότι τραβάτε τη χειρολαβή στην απέναντι πλευρά από το στοπο πόρτας. Λάβετε υπόψη την αντίστοιχη θέση του σύρτη. Συμβουλευθείτε το σχετικό εγχειρίδιο τοποθέτησης.

- > Για να ανοίξετε την πόρτα του ψυγείου, ακολουθήστε την απεικόνιση.



### 8.4.2 Κλείσιμο και ασφάλιση της πόρτας του ψυγείου



### ΠΡΟΦΥΛΑΞΗ! Κίνδυνος τραυματισμού

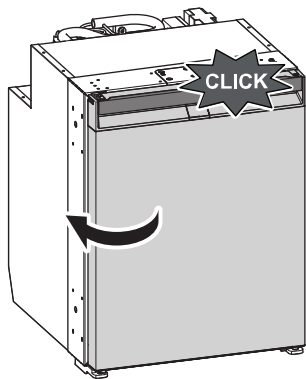
Εάν η πόρτα δεν είναι ασφαλισμένη σωστά, πιέστε προσεκτικά την πόρτα στην επάνω και στην κάτω πλευρά, μέχρι να ασφαλίσει στη θέση της.



**ΥΠΟΔΕΙΞΗ** Η πόρτα του ψυγείου διαθέτει έναν μηχανισμό ασφάλισης, ο οποίος χρησιμοποιείται επίσης για την προστασία του κατά τη μεταφορά.

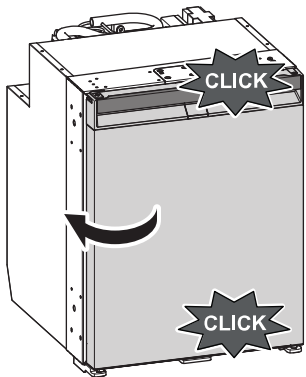
- > NRX0035-0130(E): Πιέστε την πόρτα, μέχρι να ακουστεί ο χαρακτηριστικός ήχος κλικ στην επάνω πλευρά.

### 7 NRX0035 – 0130 (E)



- > NRX0035-0130(C/S): Πιέστε την πόρτα, μέχρι να ακουστεί ο χαρακτηριστικός ήχος κλικ στην επάνω και στην κάτω πλευρά.

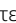

### 8 NRX0035 – 0130 (C/S)



- ✓ Η πόρτα έχει πλέον κλείσει και ασφαλίσει.

## 8.5 Ενεργοποίηση και απενεργοποίηση

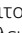
**i** **ΥΠΟΔΕΙΞΗ** Το ψυγείο πρέπει να απενεργοποιείται πάντοτε, εάν δεν πρόκειται να χρησιμοποιηθεί για μεγάλο χρονικό διάστημα.

- > Για να το ενεργοποιήσετε, πιέστε και κρατήστε πατημένο το πλήκτρο  για τουλάχιστον 2 s .
- ✓ Το ψυγείο ενεργοποιείται με τη τελευταία επιλεγμένη ρύθμιση επιπέδου ψύξης και λειτουργία.
- > Για να το απενεργοποιήσετε, πιέστε και κρατήστε πατημένο το πλήκτρο  για τουλάχιστον 2 s .

## 8.6 Ρύθμιση των τρόπων λειτουργίας



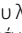
**ΥΠΟΔΕΙΞΗ** Όταν χρησιμοποιείτε τη λειτουργία ECO, PERFORMANCE ή FREEZER, το σύστημα παραμένει σε αυτήν τη λειτουργία μέχρι να γίνουν περαιτέρω αλλαγές.

- Για να ρυθμίσετε τον τρόπο λειτουργίας, πιάστε επαναλαμβανόμενα το πλήκτρο , μέχρι να ανάψει η ενδεικτική λυχνία LED τρόπου λειτουργίας για τον επιθυμητό τρόπο λειτουργίας.

Υπάρχουν οι εξής διαθέσιμοι τρόποι λειτουργίας:

### Χρήση της λειτουργίας ECO

Όταν είναι ενεργοποιημένη η οικονομική λειτουργία ECO, το ψυγείο λειτουργεί με μειωμένη κατανάλωση ενέργειας στα επίπεδα ψύξης 1 – 3.

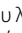
- ✓ Η ενδεικτική λυχνία LED τρόπου λειτουργίας για τη λειτουργία ECO  και η ενδεικτική λυχνία LED επιπέδου ψύξης για το επιλεγμένο επίπεδο ψύξης ανάβουν.

### Χρήση της λειτουργίας QUIET

Όταν είναι ενεργοποιημένη η λειτουργία QUIET, το ψυγείο λειτουργεί με μειωμένη στάθμη θορύβου στα επίπεδα ψύξης 1 – 4.

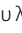


#### ΥΠΟΔΕΙΞΗ

- Η λειτουργία QUIET δεν είναι διαθέσιμη, όταν το ψυγείο λειτουργεί με τη λειτουργία FREEZER.
- Όταν χρησιμοποιείται η λειτουργία QUIET, το ψυγείο παραμένει σε αυτόν τον τρόπο λειτουργίας για 8 h και, στη συνέχεια, επιστρέφει στον προηγούμενο επιλεγμένο τρόπο λειτουργίας (λειτουργία ECO ή PERFORMANCE).
- ✓ Η ενδεικτική λυχνία LED τρόπου λειτουργίας για τη λειτουργία QUIET  και η ενδεικτική λυχνία LED επιπέδου ψύξης για το επιλεγμένο επίπεδο ψύξης ανάβουν.

### Χρήση της λειτουργίας PERFORMANCE

Όταν είναι ενεργοποιημένη η λειτουργία PERFORMANCE, το ψυγείο λειτουργεί με την κανονική του λειτουργία στα επίπεδα ψύξης 1 – 5.

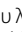
- ✓ Η ενδεικτική λυχνία LED τρόπου λειτουργίας για τη λειτουργία PERFORMANCE  και η ενδεικτική λυχνία LED επιπέδου ψύξης για το επιλεγμένο επίπεδο ψύξης ανάβουν.

### Χρήση της λειτουργίας FREEZER


Με τη λειτουργία FREEZER ενεργοποιημένη το σύνολο του εσωτερικού του ψυγείου ψύχεται στους  $-6^{\circ}\text{C}$ .



**ΥΠΟΔΕΙΞΗ** Αφαιρέστε τον χώρο κατάψυξης, για να χρησιμοποιήσετε τη λειτουργία FREEZER.

- ✓ Η ενδεικτική λυχνία LED τρόπου λειτουργίας για τη λειτουργία FREEZER  και όλες οι ενδεικτικές λυχνίες LED επιπέδου ψύξης ανάβουν σταθερά.

## 8.7 Ρύθμιση του επιπέδου ψύξης

- Για να ρυθμίσετε το επίπεδο ψύξης, πατήστε το πλήκτρο  επανειλημμένα, μέχρι να φτάσετε στο επιθυμητό επίπεδο ψύξης.

## 8.8 Αλλαγή της θέσης των ραφιών



### ΠΡΟΕΙΔΟΠΟΙΗΣΗ! Κίνδυνος παγίδευσης για παιδιά

NRX0060-0130: Όλα τα ράφια είναι σταθερά τοποθετημένα, ώστε να μην μπορούν να μπουν παιδιά μέσα στο ψυγείο.

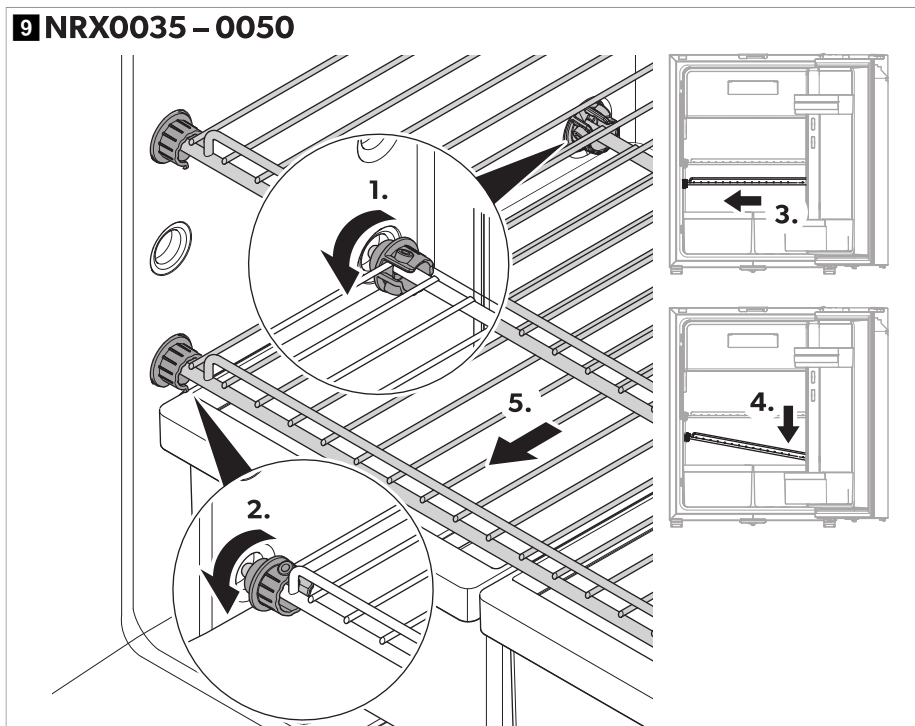
- > Τα ράφια πρέπει να αφαιρούνται μόνο για καθαρισμό.
- > Επανατοποθετήστε τα ράφια και ασφαλίστε τα στη θέση τους.



**ΥΠΟΔΕΙΞΗ** Αφαιρέστε τον χώρο κατάψυξης πριν από την επανατοποθέτηση των ραφιών, για ευκολότερη πρόσβαση στα πίσω στηρίγματα των ραφιών.

- > **NRX0035-0050:** Για να επανατοποθετήσετε τα ράφια σύμφωνα με τις επιθυμίες σας, ακολουθήστε την απεικόνιση.

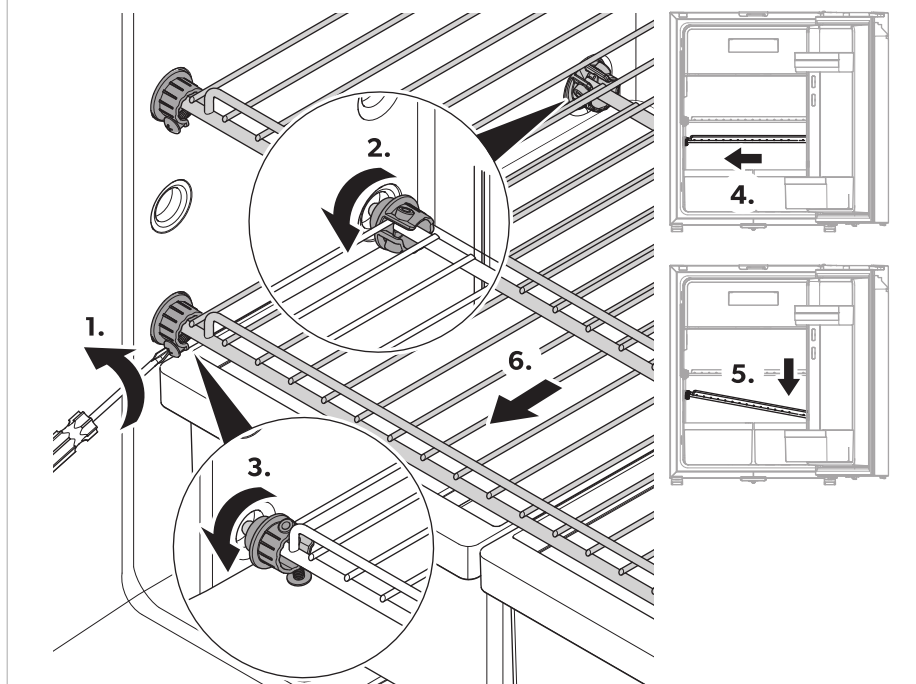
### 9 NRX0035 – 0050





- > **NRX0035-0050:** Για να επανατοποθετήσετε τα ράφια σύμφωνα με τις επιθυμίες σας, ακολουθήστε την απεικόνιση.

## 10 NRX0060 – 0130



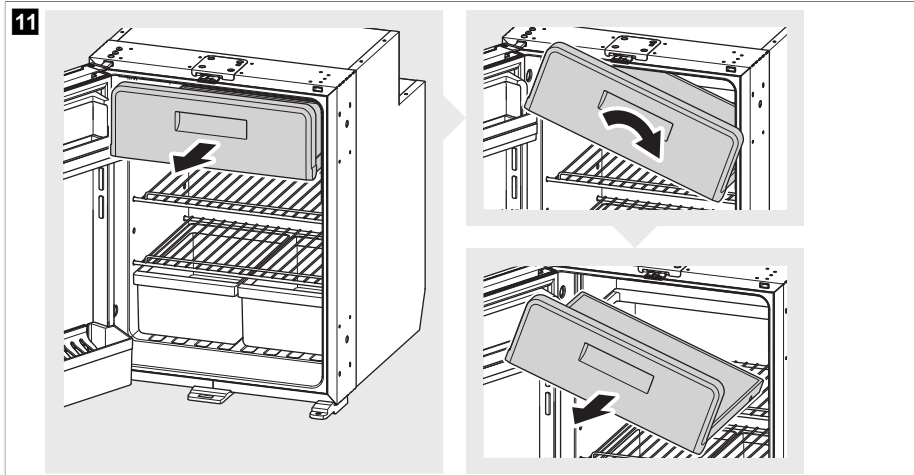
### 8.9 Αφαίρεση του χώρου κατάψυξης



#### ΠΡΟΣΟΧΗ! Κίνδυνος πρόκλησης ζημιάς

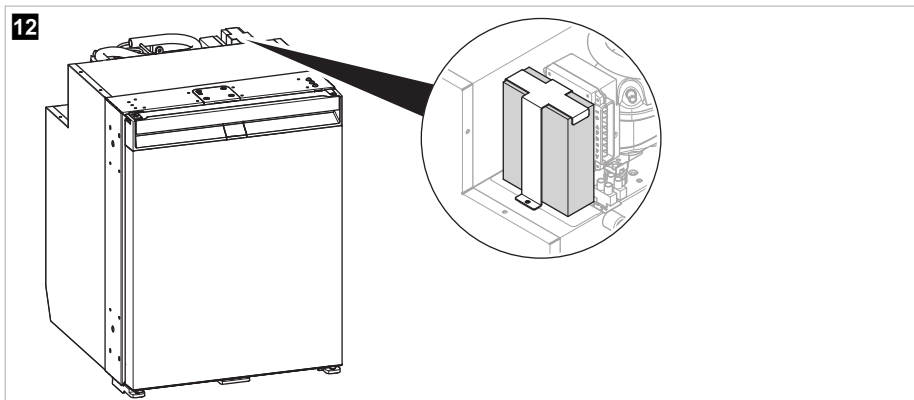
- > Κλείστε την πόρτα του χώρου κατάψυξης, για να αφαιρέσετε τον χώρο κατάψυξης.
- > Πιάστε τον χώρο κατάψυξης από την κάτω πλευρά. Μην τραβάτε την πόρτα του χώρου κατάψυξης.
- > Αποθηκεύστε τον χώρο κατάψυξης σε έναν ασφαλή χώρο χωρίς υγρασία.

- > Για να αφαιρέσετε τον χώρο κατάψυξης, ακολουθήστε την απεικόνιση.



## 8.10 Τοποθέτηση του προσαρμογέα AC/DC

- > Για την τοποθέτηση του προσαρμογέα AC/DC (πρόσθετος εξοπλισμός) ακολουθήστε την απεικόνιση.



## 9 Καθαρισμός και φροντίδα



### ΠΡΟΕΙΔΟΠΟΙΗΣΗ! Κίνδυνος ηλεκτροπληξίας

Αποσυνδέετε πάντοτε το ψυγείο από την τροφοδοσία ενέργειας, πριν από τις εργασίες καθαρισμού και συντήρησης.



### ΠΡΟΣΟΧΗ! Κίνδυνος πρόκλησης ζημιάς

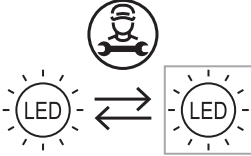
> Για τον καθαρισμό μη χρησιμοποιείτε τριβικά καθαριστικά μέσα ή σκληρά αντικείμενα.

- > Μη χρησιμοποιείτε ποτέ σκληρά ή αιχμηρά εργαλεία για την αφαίρεση στρωμάτων πάγου ή την αποκόλληση παγωμένων αντικειμένων.
- > Προσέξτε να μη στάξει καθόλου νερό μέσα στα λάστιχα στεγανοποίησης. Διαφορετικά μπορεί να προκληθεί ζημιά στα ηλεκτρονικά εξαρτήματα.



### ΠΡΟΣΟΧΗ! Κίνδυνος πρόκλησης ζημιάς

Η φωτεινή πηγή μπορεί να αντικατασταθεί μόνο από τον κατασκευαστή, έναν τεχνικό του τμήματος εξυπηρέτησης πελατών ή έναν άλλο τεχνικό με παρόμοια εξειδίκευση, για να αποφευχθούν τυχόν κίνδυνοι.



- > Καθαρίζετε το εσωτερικό και την εξωτερική πλευρά του ψυγείου σε τακτική βάση με ένα υγρό πανί καθώς και μόλις λερωθεί. Μετά από τον καθαρισμό, σκουπίστε το ψυγείο με ένα στεγνό πανί.
- > Ελέγξτε ανά τακτικά διαστήματα τον σωλήνα αποστράγγισης συμπυκνωμάτων.  
Καθαρίστε τον σωλήνα αποστράγγισης συμπυκνωμάτων, όταν απαιτείται. Εάν έχει βουλώσει, το νερό συμπύκνωσης συγκεντρώνεται στο κάτω μέρος του ψυγείου.
- > Καθαρίζετε τακτικά τη σκόνη και τους ρύπους από τον συμπυκνωτή με ένα υγρό πανί.

### Κύκλωμα ψυκτικού μέσου

Το κύκλωμα ψυκτικού μέσου δεν χρειάζεται συντήρηση.

### Απόψυξη ψυγείου



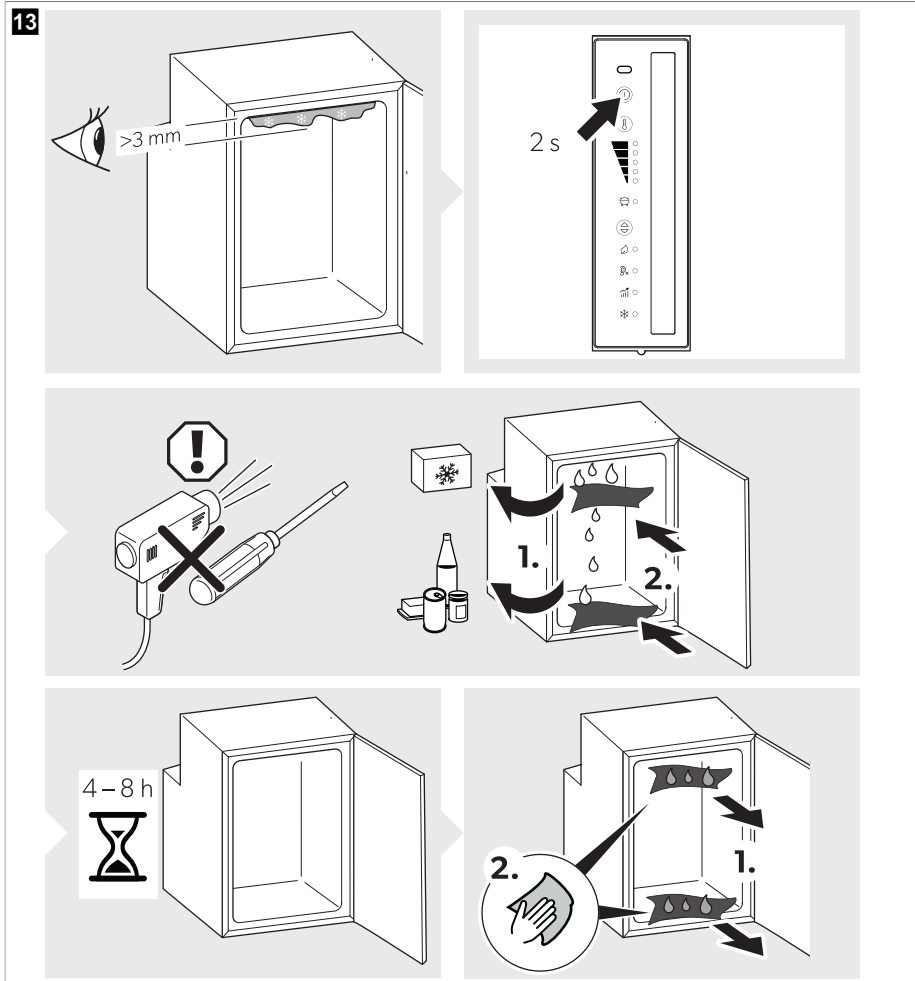
### ΠΡΟΣΟΧΗ! Κίνδυνος πρόκλησης ζημιάς

Μη χρησιμοποιείτε μηχανικά ή άλλα βοηθητικά μέσα, για να επιταχύνετε τη διαδικασία απόψυξης.



**ΥΠΟΔΕΙΞΗ** Με την πάροδο του χρόνου σχηματίζεται πάγος στο πίσω τοίχωμα, στο εσωτερικό του ψυγείου. Εάν αυτό το στρώμα πάγου φτάσει σε πάχος περίπου 3 mm, πραγματοποιήστε απόψυξη του ψυγείου.

> Για την απόψυξη του ψυγείου, ακολουθήστε την απεικόνιση.



### Τοποθέτηση της πόρτας του ψυγείου στη θέση αποθήκευσης



**ΠΡΟΦΥΛΑΞΗ! Κίνδυνος τραυματισμού**

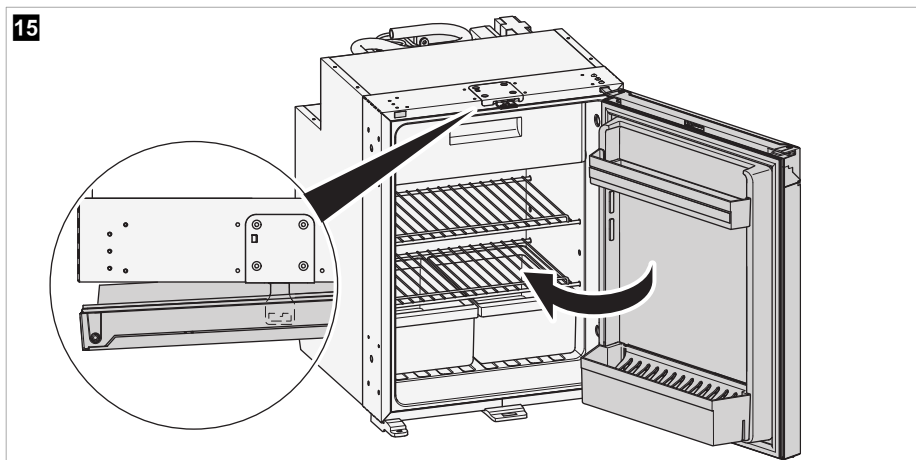
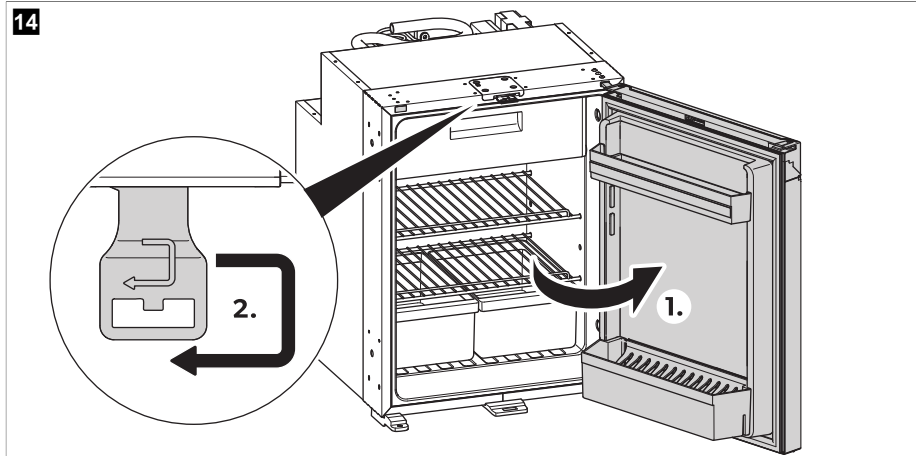
Η θέση αποθήκευσης δεν επιτρέπεται να χρησιμοποιείται κατά την κίνηση του οχήματος.



**ΥΠΟΔΕΙΞΗ** Τοποθετήστε την πόρτα του ψυγείου στη θέση αποθήκευσης, εάν δεν πρόκειται να χρησιμοποιήσετε τη συσκευή για μεγάλο χρονικό διάστημα. Με τον τρόπο αυτό αποτρέπεται η δημιουργία μούχλας.

> Πραγματοποιήστε απόψυξη του ψυγείου (βλ. Απόψυξη ψυγείου στη σελίδα 589).

> Τοποθετήστε την πόρτα του ψυγείου στη θέση αποθήκευσης σύμφωνα με την απεικόνιση.

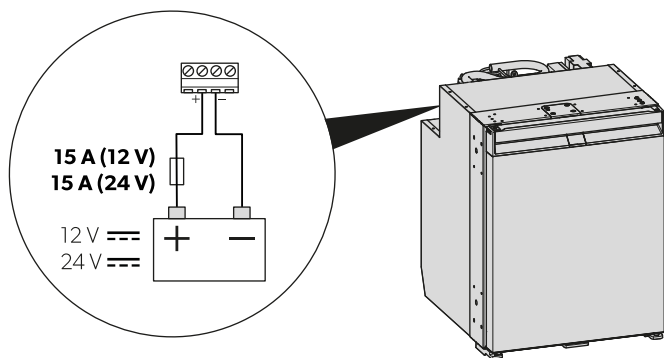



## 10 Αντιμετώπιση βλαβών



**ΥΠΟΔΕΙΞΗ** Για την ασφαλή λειτουργία μονάδων κατανάλωσης τάσης 12 V σε συρόμενο τροχόσπιτο κατά την κίνηση του οχήματος, πρέπει να διασφαλίζεται ότι το ρυμολκικό όχημα παρέχει επαρκή τάση. Σε ορισμένα οχήματα, το σύστημα διαχείρισης μπαταρίας ενδέχεται να απενεργοποιήσει αυτόματα τις μονάδες κατανάλωσης, για να προστατέψει την μπαταρία. Ενημερωθείτε σχετικά με αυτό από τον κατασκευαστή του οχήματος.

16



| πρόβλημα  | Αιτία   | Προτεινόμενη θεραπεία  |
|---|---|--|
| Το ψυγείο δεν λειτουργεί.   | Η ασφάλεια στο καλώδιο συνεχούς ρεύματος είναι καμμένη.   | > Αντικαταστήστε την ασφάλεια (  σχ. 16 στη σελίδα 592).  |
|   | Η ασφάλεια του οχήματος είναι καμμένη.  | > Αντικαταστήστε την ασφάλεια του οχήματος.<br>Ανατρέξτε στο εγχειρίδιο χρήσης του οχήματός σας.   |
|   | Η μπαταρία του οχήματος έχει αποφορτιστεί.  | > Ελέγξτε την μπαταρία και φορτίστε την.   |
|   | Ο διακόπτης ανάφλεξης δεν είναι ενεργοποιημένος.  | > Ενεργοποιήστε τον διακόπτη ανάφλεξης.  |
|   | Η θερμοκρασία του συμπιεστή είναι πολύ χαμηλή (< 0 °C).   | > Κλείστε / καλύψτε εντελώς όλα τα εξωτερικά πλέγματα αερισμού με μονωτικό υλικό.  |
|   | Το ψυγείο απενεργοποιείται αυτόματα σε περίπτωση ανεπαρκούς τάσης.<br>(Τάση διακοπής: 10,4 V ≈) | > Φορτίστε την μπαταρία. Το ψυγείο θα επανεκκινηθεί αυτόματα.<br>(Τάση επανεκκίνησης: 11,7 V ≈)  |
| Κακή ψύξη, αύξηση της θερμοκρασίας εσωτερικού χώρου. Ο συμπιεστής λειτουργεί συνεχώς. | Ανεπαρκής αερισμός γύρω από την ψυκτική μονάδα.   | > Βεβαιωθείτε ότι δεν έχουν φράξει τα πλέγματα αερισμού.<br>> Μετακινήστε το ψυγείο σε μια άλλη θέση.  |
|   | Τα εσωτερικά τοιχώματα έχουν επικαλυφθεί με πάγο.   | > Ελέγξτε εάν κλείνει σωστά η πόρτα του ψυγείου.<br>> Βεβαιωθείτε ότι το λάστιχο στεγανοποίησης του ψυγείου εφαρμόζει σωστά και δεν έχει υποστεί ζημιά.<br>> Πραγματοποιήστε απόψυξη του ψυγείου (βλ. Απόψυξη ψυγείου στη σελίδα 589). |
|   | Έχει ρυθμιστεί πολύ υψηλή θερμοκρασία.  | > Ρυθμίστε μια χαμηλότερη θερμοκρασία.   |

| πρόβλημα  | Αιτία   | Προτεινόμενη θεραπεία  |
|---|---|--|
|   | Η θερμοκρασία περιβάλλοντος είναι πολύ υψηλή.                               | > Αφαιρέστε για λίγο το πλέγμα αερισμού, ώστε ο ζεστός αέρας να μπορεί να διαφύγει ταχύτερα. |
|   | Στο ψυγείο τοποθετήθηκε ταυτόχρονα πολύ μεγάλη ποσότητα τροφίμων.           | > Αφαιρέστε μερικά τρόφιμα.  |
|   | Στο ψυγείο τοποθετήθηκε ταυτόχρονα πολύ μεγάλη ποσότητα ζεστών τροφίμων.    | > Αφαιρέστε τα ζεστά τρόφιμα και αφήστε τα πρώτα να κρυώσουν, πριν τα ξαναβάλετε στο ψυγείο. |
|   | Το ψυγείο δεν έχει λειτουργήσει ακόμη για πολύ ώρα.                         | > Ελέγξτε ξανά τη θερμοκρασία μετά από 4 h / 5 h .   |
|   | Ο συμπυκνωτής παρουσιάζει ρύπανση.  | > Καθαρίστε τον συμπυκνωτή (βλέπε κεφάλαιο Καθαρισμός και φροντίδα στη σελίδα 588).          |
|   | Ο ανεμιστήρας είναι ελαττωματικός.  | > Επικοινωνήστε με έναν εξουσιοδοτημένο τεχνικό του τμήματος εξυπηρέτησης πελατών.           |
| Κακή ψύξη, αύξηση της θερμοκρασίας εσωτερικού χώρου.<br><br>Ο συμπιεστής δεν λειτουργεί σωστά.                  | Η χωρητικότητα της μπαταρίας έχει εξαντληθεί.                               | > Φορτίστε την μπαταρία.   |
| Κακή ψύξη, αύξηση της θερμοκρασίας εσωτερικού χώρου.<br><br>Ο συμπιεστής δεν λειτουργεί (σύνδεση μπαταρίας).    | Υπάρχει διακοπή στη σύνδεση ηλεκτρονικού συστήματος μπαταρίας.              | > Δημιουργήστε τη σύνδεση.   |
|   | Ο γενικός διακόπτης είναι ελαττωματικός (εάν υπάρχει).                      | > Αντικαταστήστε τον γενικό διακόπτη.  |
|   | Η ασφάλεια τήξης της πρόσθετης γραμμής τροφοδοσίας έχει καεί (εάν υπάρχει). | > Αντικαταστήστε την ασφάλεια της γραμμής τροφοδοσίας.                                       |
|   | Η τάση της μπαταρίας είναι πολύ χαμηλή.                                     | > Φορτίστε την μπαταρία.   |
|   | Η χωρητικότητα της μπαταρίας είναι πολύ χαμηλή.                             | > Αντικαταστήστε την μπαταρία.   |
|   | Τα καλώδια έχουν λασκάρει. Κακή επαφή (διάβρωση).                           | > Δημιουργήστε τη σύνδεση.   |
|   | Η διατομή του καλωδίου είναι πολύ μικρή.                                    | > Αντικαταστήστε το καλώδιο.   |
|   | Ο συμπιεστής είναι ελαττωματικός.   | > Επικοινωνήστε με έναν εξουσιοδοτημένο τεχνικό του τμήματος εξυπηρέτησης πελατών.           |
| Κακή ψύξη, αύξηση της θερμοκρασίας εσωτερικού χώρου.<br><br>Ο συμπιεστής δεν λειτουργεί (σύνδεση με παροχή AC). | Ο αγωγός τροφοδοσίας σύνδεσης παρουσιάζει διακοπή.                          | > Δημιουργήστε τη σύνδεση.   |
|   | Ο γενικός διακόπτης είναι ελαττωματικός (εάν υπάρχει).                      | > Αντικαταστήστε τον γενικό διακόπτη.  |
|   | Η ασφάλεια τήξης της πρόσθετης γραμμής τροφοδοσίας έχει καεί (εάν υπάρχει). | > Αντικαταστήστε την ασφάλεια της γραμμής τροφοδοσίας.                                       |

| πρόβλημα   | Αιτία   | Προτεινόμενη θεραπεία  |
|--|---|--|
|  | Ο συμπιεστής είναι ελαττωματικός.   | > Επικοινωνήστε με έναν εξουσιοδοτημένο τεχνικό του τμήματος εξυπηρέτησης πελατών. |
| Ασυνήθιστοι θόρυβοι.   | Κάποιο εξάρτημα του κυκλώματος ψυκτικού μέσου δεν μπορεί να κινηθεί ελεύθερα (ακουμπάει στο τοίχωμα).   | > Απομακρύνετε το εξάρτημα από το εμπόδιο με προσεκτικό λύγισμα.                   |
|  | Κάποιο ξένο αντικείμενο έχει κολλήσει ανάμεσα στη μονάδα ψύξης και στο τοίχωμα.   | > Απομακρύνετε το ξένο αντικείμενο.  |
|  | Θόρυβος από τον ανεμιστήρα.   | > Επικοινωνήστε με έναν εξουσιοδοτημένο τεχνικό του τμήματος εξυπηρέτησης πελατών. |
| Η πόρτα ανοίγει ακούσια κατά την κίνηση (π.χ. κατά την οδήγηση). | Η ασφάλεια της πόρτας έχει ρυθμιστεί στη θέση <b>A</b> (βλ. Κεφάλαιο Προσαρμογή της ασφάλειας πόρτας στη σελίδα 580).                                       | > Ρυθμίστε την ασφάλεια της πόρτας στη θέση <b>B</b> .                             |
| Δεν κλείνει καλά η πόρτα.  | Η ασφάλεια της πόρτας έχει ρυθμιστεί στη θέση <b>A</b> (βλ. Κεφάλαιο Προσαρμογή της ασφάλειας πόρτας στη σελίδα 580).                                       | > Ρυθμίστε την ασφάλεια της πόρτας στη θέση <b>B</b> .                             |
|  | Το μάνταλο της πόρτας έχει ρυθμιστεί στη θέση <b>B</b> (βλ. Κεφάλαιο Προσαρμογή της ασφάλειας πόρτας στη σελίδα 580) αλλά η πόρτα δεν έχει ασφαλίσει σωστά. | > Βεβαιωθείτε ότι η πόρτα ασφαλίζει σωστά όταν κλείνει.                            |

## Ένδειξη σφαλμάτων



### ΥΠΟΔΕΙΞΗ

- > Όλα τα σφάλματα καταδεικνύονται μέσω μιας ενδεικτικής λυχνίας LED σφαλμάτων, η οποία αναβοσβήνει με πορτοκαλί χρώμα (βλέπε Στοιχεία χειρισμού και ενδείξεων στη σελίδα 579). Ο αριθμός των αναβοσβημάτων εξαρτάται από τον τύπο του σφάλματος. Κάθε αναβόσβημα διαρκεί ένα τέταρτο του δευτερολέπτου. Μετά την ακολουθία των αναβοσβημάτων, ακολουθεί μια παύση. Η ακολουθία για το σφάλμα επαναλαμβάνεται κάθε τέσσερα δευτερόλεπτα.
- > Στους τρόπους λειτουργίας ECO, PERFORMANCE και FREEZER, ακούγεται επιπρόσθετα ένα ηχητικό σήμα.

| Συχνότητα αναβοσβήματος | Σφάλμα                        | Πιθανή αιτία   |
|-------------------------|-------------------------------|--|
| 1                       | Πολύ χαμηλή ή πολύ υψηλή τάση | Η τάση τροφοδοσίας βρίσκεται εκτός της ρυθμισμένης περιοχής.                     |
| 2                       | Υπερβολικό ρεύμα ανεμιστήρα   | Το φορτίο του ανεμιστήρα στη μονάδα ηλεκτρονικών είναι υψηλότερο από 1 A.        |
| 3                       | Το μοτέρ δεν εκκινείται       | Ο ρότορας έχει φρακάρει.<br>Η διαφορά πίεσης στο σύστημα ψύξης είναι πολύ υψηλή. |



| Συχνότητα αναβοσβήματος | Σφάλμα                                | Πιθανή αιτία  |
|-------------------------|---------------------------------------|---|
| 4                       | Πολύ χαμηλή ταχύτητα                  | Σε περίπτωση υπερφόρτωσης του συστήματος ψύξης, η ελάχιστη ταχύτητα του μοτέρ δεν μπορεί να διατηρηθεί.   |
| 5                       | Υπερθέρμανση της μονάδας ηλεκτρονικών | Εάν το σύστημα ψύξης έχει υπερβολικά υψηλό φορτίο ή εάν έχει ρυθμιστεί πολύ υψηλή θερμοκρασία, το ηλεκτρονικό σύστημα ενδέχεται να υπερθερμανθεί. |
| Συνεχές άναμμα          | Σφάλματα αισθητήρα θερμοκρασίας       | Ο αισθητήρας θερμοκρασίας είναι ελαττωματικός.  |

## 11 Εγγύηση

Ισχύει η νόμιμη διάρκεια εγγύησης. Εάν το προϊόν είναι ελαττωματικό, επικοινωνήστε με τον αντιπρόσωπο του κατασκευαστή στη χώρα σας (βλ. [dometic.com/dealer](http://dometic.com/dealer)) ή στο κατάστημα αγοράς.

Για τυχόν επισκευή ή αξίωση κάλυψης από την εγγύηση, παρακαλούμε να αποστείλετε επίσης τα παρακάτω έγγραφα μαζί με τη συσκευή:

- Ένα αντίγραφο της απόδειξης αγοράς με την ημερομηνία αγοράς
- Τον λόγο για την αξίωση κάλυψης από την εγγύηση ή μια περιγραφή του σφάλματος

Λάβετε υπόψη ότι τυχόν επισκευή από εσάς τον ίδιο ή μη επαγγελματική επισκευή ενδέχεται να έχει συνέπειες ασφαλείας καθώς και να αποτελέσει αιτία ακύρωσης της εγγύησης.

## 12 Απόρριψη



### ΠΡΟΣΟΧΗ! Κίνδυνος πρόκλησης ζημιάς

Η μόνωση της συσκευής ψύξης περιέχει εύφλεκτο κυκλοπεντάνιο και απαιτεί ειδικές διαδικασίες απόρριψης. Παραδώστε τη συσκευή ψύξης στο τέλος του κύκλου ζωής της σε ένα κατάλληλο κέντρο ανακύκλωσης.



Εάν είναι εφικτό, απορρίψτε τα υλικά συσκευασίας στους αντίστοιχους κάδους ανακύκλωσης. Συμβουλευθείτε ένα τοπικό κέντρο ανακύκλωσης ή έναν εξειδικευμένο αντιπρόσωπο για λεπτομέρειες σχετικά με τον τρόπο απόρριψης του προϊόντος σύμφωνα με τους ισχύοντες κανονισμούς διάθεσης απορριμμάτων. Ευρώπη: Το προϊόν μπορεί να απορριφθεί δωρεάν.

## 13 Τεχνικά στοιχεία

Για την τρέχουσα δήλωση συμμόρφωσης ΕΕ για τη συσκευή σας, ανατρέξτε στην αντίστοιχη σελίδα προϊόντος στον ιστότοπο [dometic.com](http://dometic.com) ή να επικοινωνήσετε απευθείας με τον κατασκευαστή (βλ. [dometic.com/dealer](http://dometic.com/dealer)).

Αυτή η συσκευή συμμορφώνεται με τον κανονισμό UN ECE R10.

|  | NRX0035(E/C/S) | NRX0050(E/C/S) | NRX0060(E/C/S) |
|--|----------------|----------------|----------------|
| Χωρητικότητα                                   |                |                |                |
| • Θάλαμος συντήρησης (NRX0035–0130[C/S] μόνο)  | 27,3 L         | 39,6 L         | 48,9 L         |
| • Χώρος κατάψυξης (μόνο στο NRX0035–0130[C/S]) | 4,4 L          | 4,4 L          | 6,1 L          |

|   | <b>NRX0035(E/C/S)</b>   | <b>NRX0050(E/C/S)</b>     | <b>NRX0060(E/C/S)</b>    |
|---|---|---------------------------|--------------------------|
| • Συνολική χωρητικότητα                                   | 32 L  | 44 L                      | 55 L                     |
| • Συνολική χωρητικότητα (με αφαίρεση του χώρου κατάψυξης) | 34 L  | 46 L                      | 58 L                     |
| Ηλεκτρική τάση σύνδεσης                                   | 12 / 24 V <sup>===</sup>  |                           |                          |
| Προστασία μπαταρίας τροφοδοσίας (12 V)                    |   |                           |                          |
| • Τάση διακοπής   | 10,4 V  |                           |                          |
| • Τάση επανεκκίνησης                                      | 11,7 V  |                           |                          |
| Προστασία μπαταρίας τροφοδοσίας (24 V)                    |   |                           |                          |
| • Τάση διακοπής   | 22,8 V  |                           |                          |
| • Τάση επανεκκίνησης                                      | 24,2 V  |                           |                          |
| Κλιματική κατηγορία                                       | T   |                           |                          |
| Περιοχή θερμοκρασίας αποθήκευσης:                         |   |                           |                          |
| • Ψυγείο  | 0 °C ... 12 °C  |                           |                          |
| • Χώρος κατάψυξης (μόνο στο NRX0035–0130[C/S])            | –15 °C ... –5 °C  |                           |                          |
| • Λειτουργία κατάψυξης (μόνο στο NRX0035–0130[C/S])       | –6 °C   |                           |                          |
| Προβλεπόμενη θερμοκρασία περιβάλλοντος για τη χρήση       | 16 °C ... 43 °C   |                           |                          |
| Ψυκτικό μέσο  | R134a   |                           |                          |
| Ποσότητα ψυκτικού μέσου                                   | 24 g  | 26 g                      | 30 g                     |
| Ισοδύναμο CO <sub>2</sub>                                 | 0,034 t   | 0,037 t                   | 0,043 t                  |
| Δυναμικό υπερθέρμανσης του πλανήτη (GWP)                  | 1430  |                           |                          |
| Εκπομπή θορύβου (EN 60704)                                | 40 ... 45 dB(A)   |                           |                          |
| Διαστάσεις Y x Π x Β                                      | 525 × 380 × 355 mm<br>(χωρίς συμπίεστη και αποστάτη)<br><br>525 mm × 380 mm × 480 mm<br>(με συμπίεστη και αποστάτη) | 525 mm × 380 mm × 510 mm  | 525 mm × 448 mm × 537 mm |
| Καθαρό βάρος  | E: 13,5 kg<br>C, S: 16 kg   | E: 14,5 kg<br>C, S: 17 kg | E: 16 kg<br>C, S: 17 kg  |
| Μέγιστο φορτίο  |   |                           |                          |

|  | NRX0035(E/C/S)               | NRX0050(E/C/S)                              | NRX0060(E/C/S)                |
|--|------------------------------|---|-------------------------------|
| <ul style="list-style-type: none"> <li>• Ανά ράφι πόρτας</li> <li>• Ανά πόρτα</li> </ul>   | 4 kg<br>E: 4 kg<br>C/S: 8 kg | 4 kg<br>E: 4 kg<br>C/S: 8 kg                | 5 kg<br>E: 5 kg<br>C/S: 10 kg |
|  | NRX0080(E/C/S)               | NRX0115(E/C/S)                              | NRX0130(E/C/S)                |
| Χωρητικότητα   |                              |   |                               |
| <ul style="list-style-type: none"> <li>• Θάλαμος ψύξης (μόνο στο NRX0035 – 0130[C/S])</li> </ul>   | 68,4 L                       | 104,5 L                                     | 118 L                         |
| <ul style="list-style-type: none"> <li>• Χώρος κατάψυξης (μόνο στο NRX0035 – 0130[C/S])</li> </ul>   | 6,6 L                        | 8,2 L                                       | 8,2 L                         |
| <ul style="list-style-type: none"> <li>• Συνολική χωρητικότητα</li> </ul>  | 75 L                         | 113 L                                       | 126 L                         |
| <ul style="list-style-type: none"> <li>• Συνολική χωρητικότητα (με αφαίρεση του χώρου κατάψυξης)</li> </ul>  | 78 L                         | 116 L                                       | 130 L                         |
| Ηλεκτρική τάση σύνδεσης  | 12 / 24 V <sup>===</sup>     |   |                               |
| Προστασία μπαταρίας τροφοδοσίας (12 V) <ul style="list-style-type: none"> <li>• Τάση διακοπής</li> <li>• Τάση επανεκκίνησης</li> </ul>   |                              | 10,4 V<br>11,7 V                            |                               |
| Προστασία μπαταρίας τροφοδοσίας (24 V) <ul style="list-style-type: none"> <li>• Τάση διακοπής</li> <li>• Τάση επανεκκίνησης</li> </ul>   |                              | 22,8 V<br>24,2 V                            |                               |
| Κλιματική κατηγορία  | T                            |   |                               |
| Περιοχή θερμοκρασίας αποθήκευσης <ul style="list-style-type: none"> <li>• Ψυγείο</li> <li>• Χώρος κατάψυξης (μόνο στο NRX0035–0130[C/S])</li> <li>• Λειτουργία κατάψυξης (μόνο στο NRX0035–0130C/S)</li> </ul> |                              | 0 °C ... 12 °C<br>-15 °C ... -5 °C<br>-6 °C |                               |
| Προβλεπόμενη θερμοκρασία περιβάλλοντος για τη χρήση  | 16 °C ... 43 °C              |   |                               |
| Ψυκτικό μέσο   | R134a                        |   |                               |
| Ποσότητα ψυκτικού μέσου  | 32 g                         | 40 g  | 40 g                          |
| Ισοδύναμο CO <sub>2</sub>  | 0,046 t                      | 0,057 t                                     | 0,057 t                       |
| Δυναμικό υπερθέρμανσης του πλανήτη (GWP)   | 1430                         |   |                               |

|                               | NRX0080(E/C/S)          | NRX0115(E/C/S)          | NRX0130(E/C/S)          |
|-------------------------------|-------------------------|-------------------------|-------------------------|
| Εκπομπή θορύβου<br>(EN 60704) | 40 ... 45 dB(A)         |                         |                         |
| Διαστάσεις Υ x Π x Β          | 625 × 475 × 537 mm      | 745 × 525 × 568 mm      | 812 × 525 × 568 mm      |
| Καθαρό βάρος                  | C, S: 20 kg<br>E: 18 kg | C, S: 26 kg<br>E: 24 kg | C, S: 27 kg<br>E: 25 kg |
| Μέγιστο φορτίο                |                         |                         |                         |
| • Ανά ράφι πόρτας             | 5 kg                    | 6 kg                    | 6 kg                    |
| • Ανά πόρτα                   | 10 kg                   | E: 12 kg<br>C/S: 18 kg  | E: 12 kg<br>C/S: 18 kg  |

## 14 Τεχνικά στοιχεία

Για την τρέχουσα δήλωση συμμόρφωσης ΕΕ για τη συσκευή σας, ανατρέξτε στην αντίστοιχη σελίδα προϊόντος στον ιστότοπο [dometic.com](http://dometic.com) ή να επικοινωνήσετε απευθείας με τον κατασκευαστή (βλ. [dometic.com/dealer](http://dometic.com/dealer)).

Αυτή η συσκευή συμμορφώνεται με τον κανονισμό UN ECE R10.

|  | NRX0090V                |
|--|-------------------------|
| Χωρητικότητα   |                         |
| • Χώρος συντήρησης   | 79 L                    |
| • Χώρος κατάψυξης  | 8,4 L                   |
| • Συνολική χωρητικότητα  | 87 L                    |
| • Συνολική χωρητικότητα (με αφαί-<br>ρεση του χώρου κατάψυξης) | 92 L                    |
| Ηλεκτρική τάση σύνδεσης  | 12 / 24 V <sup>==</sup> |
| Προστασία μπαταρίας τροφοδοσίας<br>(12 V)                      |                         |
| • Τάση διακοπής  | 10,4 V                  |
| • Τάση επανεκκίνησης   | 11,7 V                  |
| Προστασία μπαταρίας τροφοδοσίας<br>(24 V)                      |                         |
| • Τάση διακοπής  | 22,8 V                  |
| • Τάση επανεκκίνησης   | 24,2 V                  |
| Κατανάλωση ενέργειας   | 0,35 kWh / 24 h         |
| Κλιματική κατηγορία  | T                       |
| Περιοχή θερμοκρασίας αποθήκευ-<br>σης                          |                         |
| • Ψυγείο   | 0 °C ... 15 °C          |
| • Χώρος κατάψυξης  | -12 °C ... -5 °C        |

|   | <b>NRX0090V</b>          |
|---|--------------------------|
| • Λειτουργία κατάψυξης                              | -5 °C ± 2 °C             |
| Προβλεπόμενη θερμοκρασία περιβάλλοντος για τη χρήση | 16 °C ... 43 °C          |
| Ψυκτικό μέσο  | R600a                    |
| Ποσότητα ψυκτικού μέσου                             | 22 g                     |
| Ισοδύναμο CO <sub>2</sub>                           | 0,000 t                  |
| Δυναμικό υπερθέρμανσης του πλανήτη (GWP)            | 3                        |
| Εκπομπή θορύβου (EN60704)                           |                          |
| • Λειτουργία απόδοσης (PERFORMANCE)                 | < 40 dB(A)               |
| • Αθόρυβη λειτουργία (QUIET)                        | 37 dB(A)                 |
| Διαστάσεις Υ x Π x Β                                | 821 mm × 486 mm × 480 mm |
| Καθαρό βάρος  | 22 kg                    |

## Lietuvių k.

|    |                                     |     |
|----|-------------------------------------|-----|
| 1  | Svarbios pastabos.....              | 600 |
| 2  | Simbolių paaiškinimas.....          | 600 |
| 3  | Saugos instrukcijos.....            | 601 |
| 4  | Pristatoma komplektacija.....       | 603 |
| 5  | Priedai.....                        | 603 |
| 6  | Paskirtis.....                      | 605 |
| 7  | Techninis aprašymas.....            | 605 |
| 8  | Naudojimas.....                     | 608 |
| 9  | Valymas ir priežiūra.....           | 616 |
| 10 | Gedimų nustatymas ir šalinimas..... | 619 |
| 11 | Garantija.....                      | 622 |
| 12 | Utilizavimas.....                   | 622 |
| 13 | Techniniai duomenys.....            | 623 |
| 14 | Techniniai duomenys.....            | 625 |

## 1 Svarbios pastabos

Atidžiai perskaitykite šią instrukciją ir sekite visas instrukcijas, nurodymus ir perspėjimus, pateiktus šiame gaminio vadove, ir griežtai jų laikykitės, kad užtikrintumėte, jog šis gaminys visada bus įrengtas, naudojamas ir prižiūrimas tinkamai. Ši instrukcija PRIVALO likti šalia šio gaminio.

Naudodamiesi šiuo gaminiu patvirtinate, kad atidžiai perskaitėte visas instrukcijas, nurodymus ir perspėjimus ir suprantate dokumente išdėstytas sąlygas bei sutinkate jų laikytis. Šį gaminį sutinkate naudoti tik pagal numatytąją paskirtį ir taip, kaip nurodo šioje gaminio instrukcijoje pateiktos instrukcijos, nurodymai ir perspėjimai, taip pat laikydamiesi taikomų teisinių ir teisės aktų. Nesusipažinus su šioje instrukcijoje pateiktomis instrukcijomis ir perspėjimais ir jų nesilaikius galite susižaloti patys ir sužaloti kitus asmenis, pažeisti gaminį arba pridaryti žalos kitai netoliese esančiai nuosavybei. Ši gaminio instrukcija, taip pat ir instrukcijos, nurodymai, perspėjimai ir kiti susiję dokumentai, gali būti keičiami ir atnaujinami. Norėdami gauti naujausios informacijos apie gaminį, apsilankykite adresu [documents.dometic.com](http://documents.dometic.com).

## 2 Simbolių paaiškinimas

Signaliniu žodžiu pažymima informacija apie saugą ir turtinę žalą, taip pat nurodomas pavojaus rimtumo laipsnis ar lygis.



### PAVOJUS!

nurodo pavojingą situaciją, kurios neišvengus gresia mirtinas arba sunkus sužalojimas.



### ĮSPĖJIMAS!

nurodo pavojingą situaciją, kurios neišvengus gali grėsti mirtinas arba sunkus sužalojimas.



### PERSPĖJIMAS!

nurodo pavojingą situaciją, kurios neišvengus gali grėsti lengvas arba vidutinio sunkumo sužalojimas.



### PRANEŠIMAS!

Nurodo situaciją, kurios neišvengus, gresia materialinė žala.



**PASTABA** Papildoma informacija apie gaminio eksploatavimą.

## 3 Saugos instrukcijos

### Bendroji sauga



#### **ĮSPĖJIMAS! Elektros srovės pavojus**

- > Šaldytuvą montuoti ir atjungti gali tik kvalifikuoti darbuotojai.
- > Montavimo darbus prausyklose ir nuo vandens neapsaugotose patalpose turi atlikti kvalifikuotas technikas.
- > Jei montuojate šaldytuvą po tentu ar panašioje aplinkoje, reikia apsaugoti jį nuo lietaus ir taškomo vandens.
- > Nenaudokite šaldytuvo, jei jis pastebimai pažeistas.
- > Šį šaldytuvą gali taisyti tik kvalifikuotas personalas. Netinkamai remontuojant gali kilti rimtas pavojus arba galima sugadinti šaldytuvą.
- > Jei šio šaldytuvo maitinimo laidas yra pažeistas, jį turi pakeisti gamintojas, klientų aptarnavimo tarnyba arba panašią kvalifikaciją turintis asmuo, kad būtų išvengta grėsmių saugumui.
- > Statydami šaldytuvą įsitinkinkite, kad maitinimo laidas nėra įstrigęs ar pažeistas.
- > Atkreipkite dėmesį į kelis nešiojamuosius lizdus arba nešiojamuosius maitinimo šaltinius šaldytuvo gale.
- > Nelieskite laidų plikomis rankomis.
- > Prietaisą prijunkite prie tinkamos jungties lizdų, ypač tada, kai jį reikia įžeminti.
- > jei prietaisas maitinamas iš elektros tinklo, pasirūpinkite, kad maitinimo šaltinis turėtų liekamosios srovės grandinės pertraukiklį (RCCB) arba apsauginę nuotėkio relę (GFCI). Įrengti reikia laikantis visų taikomų taisyklių, ypač jei įrengiate potencialiai drėgnose vietose.



#### **ĮSPĖJIMAS! Gaisro pavojus**

- > Šaldymo grandinėje yra nedidelis kiekis aplinkai nekenksmingo, aušalo. Jis nepažeidžia ozono sluoksnio ir nedidina šiltnamio efekto. Išsiliejęs aušalas gali užsidegti.
- > Nenaudokite ar nelaikykite šaldytuvo uždaroje vietoje, kuriuose nėra oro srauto arba jis labai mažas.
- > Šaldytuvo montavimo angoje turi nebūti jokių elektrinių dalių ir šviesos šaltinių, kurie įprastai ar neįprastai veikdami lemia kibirkščių ar elektros lanko susidarymą (t. y. relių ar saugiklių dėžucių).
- > Šaldytuvo izoliacijoje naudojamas degus ciklopentanas, todėl reikalinga speciali utilizavimo procedūra. Pasibaigus šaldytuvo tinkamumo naudoti laikui, perduokite jį atitinkamam perdirbimo centrui.



#### **ĮSPĖJIMAS! Sprogimo pavojus**

Šaldytuve nelaikykite jokių sprogių medžiagų, pavyzdžiui, aerozolių balionėlių su sprogstamosiomis medžiagomis.



#### **ĮSPĖJIMAS! Pavojus sveikatai**

- > Šį šaldytuvą gali naudoti vaikai nuo 8 metų amžiaus ir fizinių, sensorinių arba psichikos sutrikimų turintys arba stokojantys patirties ir žinių asmenys, jeigu jie yra prižiūrimi arba išmokyti saugiai naudoti šį šaldytuvą bei supranta jo keliamus pavojus.
- > Vaikams nuo 3 iki 8 metų leidžiama sudėti produktus į šaldytuvą ir išimti iš jo.
- > Vaikams draudžiama šį prietaisą valyti ir atlikti jo techninę priežiūrą be suaugusiųjų priežiūros.
- > Vaikus reikia prižiūrėti, kad jie nežaistų su šaldytuvu.



#### **ĮSPĖJIMAS! Vaikų įstrigimo pavojus**

- > Įsitinkinkite, kad lentynos sumontuotos ir pritvirtintos taip, kad vaikai negalėtų užsirakinti šaldytuve.
- > Prieš išmesdami seną šaldytuvą:
  - išmontuokite stalčius.
  - Palikite lentynas šaldytuve, kad vaikai negalėtų įlipti į vidų.

- > Išimkite dureles.



#### **PERSPĖJIMAS! Pavojus sveikatai**

- > Jį būtina pritvirtinti pagal montavimo instrukcijas, kad būtų išvengta pavojaus dėl šaldytuvo nestabilumo.
- > Pasirūpinkite, kad šaldytuve ir jo korpuse ar integruotoje konstrukcijoje esančios ventiliacijos angos nebūtų užkimštos.
- > Atitirpinimo procesui pagreitinti nenaudokite mechaninių prietaisų ar kitų priemonių, nebent juos yra rekomendavęs gamintojas.
- > Jokiomis aplinkybėmis neatidarykite ir nepažeiskite šaltnešio kontūro.
- > Šaldytuvo viduje nenaudokite kitų elektros prietaisų, nebent šiam tikslui juos yra rekomendavęs gamintojas.



#### **PERSPĖJIMAS! Sužalojimų rizika**

- > Šiame šaldytuve ar šalia jo nenaudokite ar nelaikykite degių medžiagų.
- > Nedėkite daiktų ant šio šaldytuvo ar priešais jį.
- > Nemodifikuokite šio šaldytuvo.



#### **PRANEŠIMAS! Žalos pavojus**

- > Veikimą naudojant nuolatinės srovės šaltinį rinkitės tik jei transporto priemonės variklis veikia ir tiekia pakankamą įtampą arba jei naudojate akumulatoriaus monitorių.
- > Jei yra kondensato išleidimo anga, ji visada turi būti švari.
- > Jei šaldytuve yra ventiliacijos grotelės, valydami transporto priemonę nenaudokite aukšto slėgio valymo įrenginių šalia ventiliacijos grotelių.
- > Saugokite šaldytuvą nuo lietaus.
- > Niekada netraukite kištuko iš kištukinio lizdo už jungiamojo kabelio.

## **Saugus šaldytuvo naudojimas**



#### **PAVOJUS! Elektros srovės pavojus**

Prieš įjungdami šaldytuvą įsitikinkite, kad maitinimo šaltinis ir kištukas yra sausi.



#### **PERSPĖJIMAS! Pavojus sveikatai**

- > Įsitikinkite, kad į šaldytuvą dedate tik tokius daiktus, kurie gali būti vėsinami nustatytoje temperatūroje.
- > Reguliariai valykite paviršius, kurie gali turėti sąlytį su maistu ir pasiekiamomis drenažo sistemomis.
- > Žalią mėsą ir žuvį laikykite atitinkamose talpyklose šaldytuve taip, kad jie nesiliestų su kitais maisto produktais ir nelašėtų ant jų.
- > Ilgam laikui atidarius dureles, temperatūra šaldytuvo kameroje gali labai pakilti. Jeigu šaldytuvą paliekamas tuščias ilgesniam laikui:
  - Išjunkite šaldytuvą.
  - Atitirpinkite šaldytuvą.
  - Išvalykite ir nusausinkite šaldytuvą.
  - Norėdami išvengti pelėsio susidarymo šaldytuve, palikite praviras dureles. Jei yra, nustatykite šaldytuvo dureles ir šaldiklio dureles į žiemos padėtį.



#### **PERSPĖJIMAS! Sužalojimų rizika**

- > Nekiškite pirštų tarp vėrių.
- > Prieš pradėdami važiuoti, uždarykite ir užrakinkite šaldytuvo dureles.



- > Šaldytuvo gale esanti šaldymo sistema veikimo metu labai įkaista. Jei šaldytuve yra ventiliacijos grotelės, nuimdami jas saugokitės, kad nepaliesumėte karštų dalių.
- > Prietaiso arba šaldiklio durelės gali visiškai atsikabinti nuo prietaiso, jei bus naudojami netinkamai. Spauskite uždarytas dureles, kol viršuje ir apačioje išgirsite spragtelėjimą.



### PRANEŠIMAS! Žalos pavojus

- > Nesiremkite į atidarytas šaldytuvo dureles.
- > Sunkius daiktus, pavyzdžiui, butelius ar skardines, laikykite tik šaldytuvo durelėse, daržovių kameroje arba ant apatinės lentynos.
- > Jei šaldytuvus turi dvipuses dureles ir priešingoje pusėje durelės tinkamai neužsifiksavo, toje pusėje paspauskite viršuje ir apačioje, kol jos užsifiksuos.
- > **Perkaitinimo pavojus!** Visada užtikrinkite pakankamą ventiliaciją, kad išsisklaidytų darbo metu susidaranti šiluma. Įsitikinkite, jog šaldytuvus yra pakankamai toli nuo sienų ir kitų objektų, kad oras galėtų cirkuliuoti.
- > Į vidų nedėkite ledo ir nepilkite skysčio.
- > Saugokite šaldytuvą ir laidą nuo karščio ir drėgmės.
- > Niekada netraukite kištuko iš kištukinio lizdo už jungiamojo kabelio.



### PASTABA

- > Jei transporto priemonės akumuliatoriaus valdymo sistema išjungia šaldytuvą, kad apsaugotų akumuliatorių, kreipkitės į transporto priemonės gamintoją.
- > Kai aplinkos temperatūra yra 15 °C ... 25 °C, pasirinkite vidutinės temperatūros nustatymą.
- > Jei priešingoje pusėje durelės tinkamai neužsifiksavo, toje pusėje paspauskite viršuje ir apačioje, kol jos užsifiksuos.
- > Norėdami išvengti maisto švaistymo, atkreipkite dėmesį į šiuos dalykus:
  - Užtikrinkite kuo mažesnę temperatūros svyravimą. Šaldiklį atidarykite kuo trumpesiam laikui ir ne dažniau nei reikia. Maisto produktus saugokite taip, kad oras galėtų laisvai cirkuliuoti.
  - Įsitikinkite, kad į šaldytuvą dedate tik tokius daiktus, kurie gali būti vėsunami nustatytoje temperatūroje.
  - Skirtingo tipo maisto produktus laikykite taip, kaip parodyta paveikslėliuose.
  - Jei galima reguliuoti temperatūrą: Temperatūrą reguliuokite atsizvelgdami į maisto produktų kiekį ir rūšį.
  - Maisto produktai gali lengvai sugerti arba skleisti kvapus ar skonį. Maisto produktus visada laikykite uždengtus arba uždarytuose induose / buteliuose.

## 4 Pristatoma komplektacija

| Kiekis | Aprašymas                            |
|--------|--------------------------------------|
| 1      | Kompresorinis šaldytuvus             |
| 1      | Išleidimo alkūnė                     |
| 1      | Trumpas naudojimo vadovas            |
| 1      | Naudojimo vadovas (tik internetinis) |
| 1      | Montavimo vadovas                    |

## 5 Priedai

Tiekiami kaip priedai (neįeina į pristatomą komplektaciją):

| <b>Aprašymas</b>                                       | <b>Nuor. nr.</b>                   |
|--|------------------------------------|
| Stumdomasis vyris                                      | 9620012939                         |
| Tvirtinimo rėmas su apatiniu rėmu                      |                                    |
| • NRX0035, NRX0050                                     | 9620012877                         |
| • NRX0060  | 9620012881                         |
| • NRX0080  | 9620012882                         |
| • NRX0115  | 9620012878                         |
| • NRX0130  | 9620012876                         |
| Tvirtinimo rėmas su apatiniu rėmu (juodas)             |                                    |
| • NRX0035, NRX0050                                     | 9620012874                         |
| • NRX0060  | 9620012875                         |
| • NRX0080  | 9620012880                         |
| • NRX0115  | 9620012879                         |
| • NRX0130  | 9620012883                         |
| Lentyna, naudojama išėmus užšalimo temperatūros kamerą |                                    |
| • NRX0035, NRX0050                                     | 9620012933                         |
| • NRX0060  | 9620012938                         |
| • NRX0080  | 9620012935                         |
| • NRX0115, NRX0130                                     | 9620012932                         |
| Užšalimo temperatūros kamera                           |                                    |
| • NRX0035, NRX0050                                     | 9620012931                         |
| • NRX0060  | 9620012936                         |
| • NRX0080  | 9620012934                         |
| • NRX0115, NRX0130                                     | 9620012937                         |
| KS/NS adapteris  | 9620013449 (EU)<br>9620013450 (UK) |

## 6 Paskirtis

Šaldytuvas skirtas:

- Montuoti priekabiniuose nameliuose, varikliniuose autonameliuose, laivuose ir sunkvežimiuose
- Maistui atvėsinti ir laikyti
- **Tik NRX0035–0130(C/S):** Iš anksto atvėsintam maistui laikyti
- Naudoti patalpose

Šis šaldytuvas nėra skirtas naudoti komercinei veiklai, mažmeninei prekybai ar buityje.

Šaldytuvas **nėra** tinkamas:

- Laikyti vaistus
- Laikyti esdinančias medžiagas arba medžiagas, kurių sudėtyje yra tirpiklių
- Maistui greitai užšaldyti
- Naudoti lauke

Jei prietaisas naudojamas laivuose, reikia montuoti jį salone, o ne atvirame denyje.

Užšalimo temperatūros kamerą galima naudoti iš anksto užšaldytam maistui laikyti, ledams laikyti arba gaminti ir ledo kubeliams ruošti. Jo negalima naudoti atšildytam maistui užšaldyti.

Šaldytuvas skirtas montuoti spintelėje arba montavimo nišoje.

Optimalus vėsinimo efektyvumas pasiekiamas 16 °C ... 43 °C aplinkos temperatūroje, kai drėgnis ne didesnis kaip 90 %.

Šis gaminį galima naudoti tik pagal numatytą paskirtį ir vadovaujantis šiomis instrukcijomis.

Šiame vadove pateikiama informacija, reikalinga tinkamam gaminio įrengimui ir (arba) naudojimui. Dėl prasto įrengimo ir (arba) netinkamo naudojimo ar techninės priežiūros gaminys gali veikti netinkamai ir sugesti.

Gamintojas neprisims atsakomybės už patirtus sužeidimus ar žalą gaminiui, atsiradusią dėl šių priežasčių:

- Netinkamas montavimas, surinkimas ar prijungimas, įskaitant per aukštą įtampą
- Netinkamos techninės priežiūros arba jeigu buvo naudotos neoriginalios, gamintojo nepateiktos atsarginės dalys
- Gaminio pakeitimai be aiškaus gamintojo leidimo
- Naudojimas kitais tikslais, nei nurodyta šiame vadove

„Dometic“ pasilieka teisę keisti gaminio išvaizdą ir specifikacijas.

## 7 Techninis aprašymas

Šaldytuvas yra kompresorinis šaldytuvas.

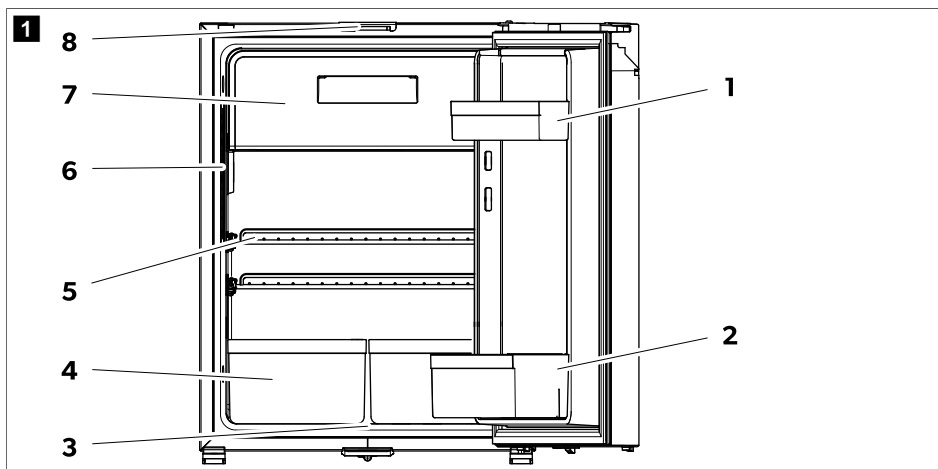
Šaldytuvas gali veikti naudodamas skirtingų tipų galią, tad galite naudoti jį tiek su nuolatinės srovės, tiek su kintamosios srovės maitinimo šaltiniu.

NRX0035–0130(C/S): Modelyje gamykliškai sumontuota užšalimo temperatūros kamera, kurią galima pašalinti ir sumontuoti iš naujo.

Šaldytuvo durelės turi užsklendimo mechanizmą, apsaugantį jas transportuojant.

Visos šaldytuve naudotos medžiagos yra tinkamos naudoti su maisto produktais.

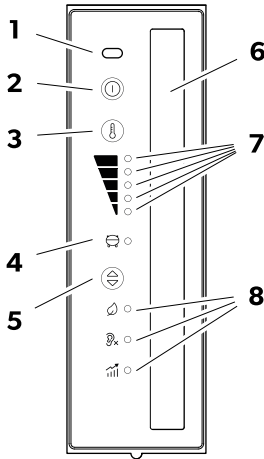
## Prietaiso aprašymas



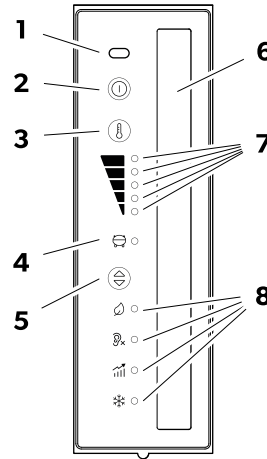
| Nr. | Paiškinimas  |
|-----|--|
| 1   | Durelių lentyna (Tik NRX0035–0130[C/S], NRX0080–0130[E])         |
| 2   | Butelių lentyna  |
| 3   | Kondensato nutekėjimo vamzdis                                    |
| 4   | Produktų traškumą išlaikantis stalčiukas (Tik NRX0035–0130[C/S]) |
| 5   | Spintelės lentyna  |
| 6   | Valdymo skydelis su ekranu                                       |
| 7   | Užšalimo temperatūros kamera (tik NRX0035 – 0130[C/S])           |
| 8   | Durelių fiksatorius ventilacijai                                 |


## Valdymo ir ekrano elementai

## NRX0035 – 0130 (E)



## NRX0035 – 0130 (C/S)



| Nr. | Paaškinimas   |
|-----|---|
| 1   | IR dūrelių atidarymo jutiklis   |
| 2   | Ⓞ Įjungimo / išjungimo mygtukas   |
| 3   | Ⓜ Vėsinimo lygio nustatymo mygtukas   |
| 4   | Kompresoriaus ir klaidos indikatorius LED   |
| 5   | Ⓢ Veikimo režimo mygtukas   |
| 6   | Vidaus apšvietimas  |
| 7   | Vėsinimo lygių indikatorių LED<br> <ul style="list-style-type: none"> <li>5 vėsinimo lygis</li> <li>4 vėsinimo lygis</li> <li>3 vėsinimo lygis</li> <li>2 vėsinimo lygis</li> <li>1 vėsinimo lygis</li> </ul> |
| 8   | Veikimo režimų indikatorių LED  |





## Kompresoriaus ir klaidos indikatorius LED

Kompresoriaus ir klaidos indikatorius LED rodo kompresoriaus veikimo būseną arba nurodo klaidą:

| Color             | Aprašymas  |
|-------------------|--|
| Balta             | Kompresorius įjungtas                                |
| Oranžinė          | Kompresorius išjungtas                               |
| Oranžinė (mirksi) | Klaida (žr. skyrių Klaidos indikacija puslapyje 622) |

## Veikimo režimų indikatorių LED

Veikimo režimo indikatoriaus LED rodo šias nustatymo parinktis:

| Simbolis  | Aprašymas  |
|---|--|
|  | Režimas ECO:<br>Veikimas mažesnėmis energijos sąnaudomis.<br>1 – 3 vėsinimo lygis  |
|  | Režimas QUIET:<br>veikimas esant mažesniai triukšmo lygiui.<br>1 – 4 vėsinimo lygis  |
|  | Režimas PERFORMANCE:<br>1 – 5 vėsinimo lygis   |
|  | Šaldiklio režimas (Tik NRX0035–0130[C/S]):<br>veikimas pašalinus užšalimo temperatūros kamerą. Atvėsina visą šaldytuvo vidų iki –6 °C. |

## 8 Naudojimas

### 8.1 Prieš pirmąjį naudojimą

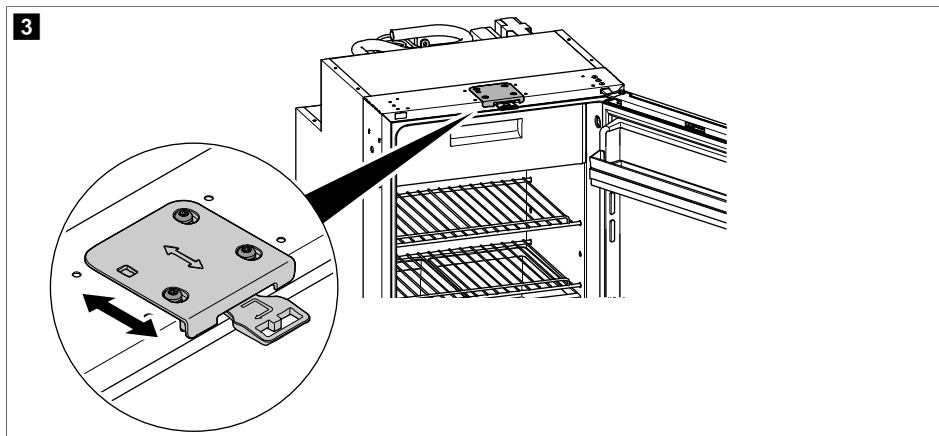


#### PASTABA

- > Nelaikykite produktų šaldytuve pirmąsias 4 valandas nuo įjungimo.
- > Kai šaldytuvą naudosite pirmą kartą, galbūt pajusite nestiprų kvapą, kuris po kelių valandų išnyks. Gerai išvėdinkite gyvenamąją patalpą.
- > Vėsinimo galiai įtakos gali turėti:
  - aplinkos temperatūra (pvz., transporto priemonė neapsaugota nuo tiesioginės saulės šviesos);
  - vėsinamo maisto kiekis;
  - durelių atidarymo dažnumas.
- > Higienai užtikrinti valykite šaldytuvo vidų (žr. Valymas ir priežiūra puslapyje 616).
- > Transporto priemonę pastatykite horizontaliai, ypač jei prieš ruošdamiesi kelionei šaldytuvą paleidžiate ir dedate į jį produktus.

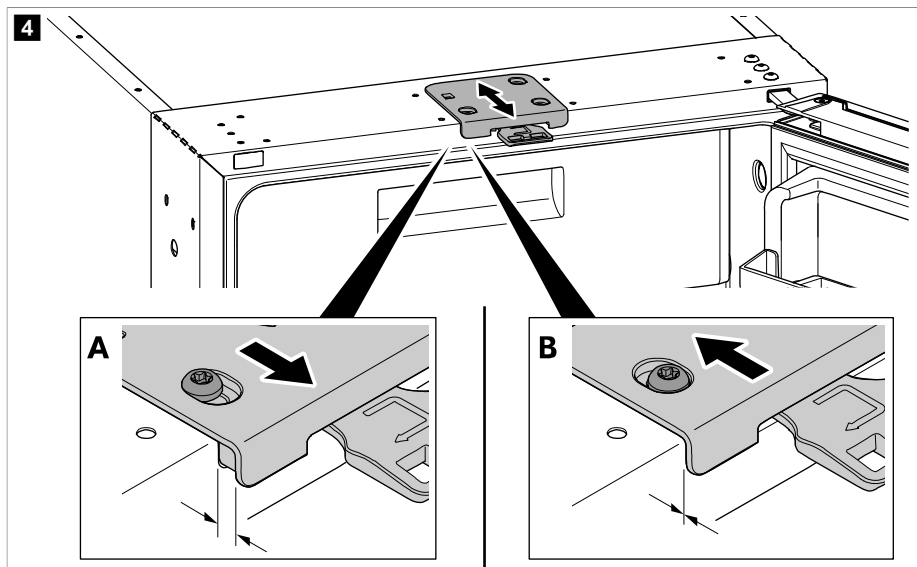
#### 8.1.1 Durelių fiksatoriaus reguliavimas

Šaldytuvo viršuje esantį durelių fiksatorių galima sureguliuoti nustatant durelių uždarymo plotį.



**i** **PASTABA** Patikrinkite, ar įrengtas reguliuojamasis durelių fiksatorius. Jei reikia, užsakykite reguliuojamąjį durelių fiksatorių ([dometic.com](http://dometic.com)) ir pakeiskite juo fiksuotą durelių fiksatorių.

> Gamykloje durelių fiksatorius nustatomas į padėtį **A**. Perkelkite durelių fiksatorių į padėtį **B**.



**i** **PASTABA** Jei durelių fiksatorius yra padėtyje **B**, uždarydami tikrinkite, ar durelės tinkamai užsifiksuoja (žr. skyrių Šaldytuvo durelių atidarymas ir tvirtinimas puslapyje 611).

## 8.2 Informacija apie maisto laikymą



### PERSPĖJIMAS! Pavojus sveikatai

Jei šaldytuvas ilgai yra žemesnėje nei 10 °C temperatūroje, užšalimo temperatūros kameros temperatūros reguliavimas nebėra garantuojamas. Dėl to gali padidėti užšalimo temperatūros kameros temperatūra, o laikomos prekės gali būti atšilti.

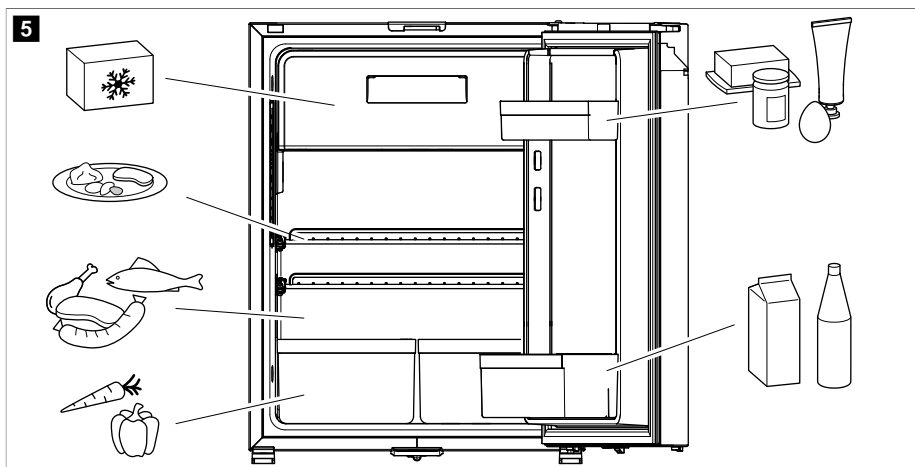


### PRANEŠIMAS! Žalos pavojus

- > Pildydami šaldytuvą paisykite maksimalios apkrovos durių lentynai ir durielėms (žr. Techniniai duomenys puslapyje 623).
- > Užšalimo temperatūros kameroje nelaikykite gazuotų gėrimų.

Norėdami išvengti maisto švaistymo, atkreipkite dėmesį į šiuos dalykus:

- Užtikrinkite kuo mažesnę temperatūros svyravimą. Šaldytuvą atidarykite kuo trumpesiam laikui ir ne dažniau nei reikia. Maisto produktus saugokite taip, kad oras galėtų laisvai cirkuluoti.
  - Temperatūrą reguliuokite atsižvelgdami į maisto produktų kiekį ir rūšį.
  - Skirtingo tipo maisto produktus laikykite taip, kaip parodyta paveikslėliuose.
  - Maisto produktai gali lengvai sugerti arba skleisti kvapus ar skonį. Maisto produktus visada laikykite uždengtus arba uždarytuose induose / buteliuose.
- > Laikykite maistą, kaip parodyta.



## 8.3 Energijos taupymas

- Šaldytuvą atidarykite kuo trumpesiam laikui ir ne dažniau nei reikia.
- Pirmiausia, prieš įdėdami maistą į mini šaldytuvą, leiskite šiltam maistui atvėsti.
- Atšildykite šaldytuvą, kai tik susidarys ledo sluoksnis.
- Be reikalo nemažinkite temperatūros.
- Siekiant užtikrinti optimalų energijos suvartojimą, lentynas ir stalčius reikėtų išdėstyti taip, kaip buvo pristatymo metu.
- Reguliariai tikrinkite, ar durių sandariklis vis dar tinkamai priglundą.
- Reguliariais intervalais išvalykite dulkes ir purvą iš kondensatoriaus.



## 8.4 Šaldytuvo durelių naudojimas



### **PERSPĖJIMAS! Sužalojimų rizika**

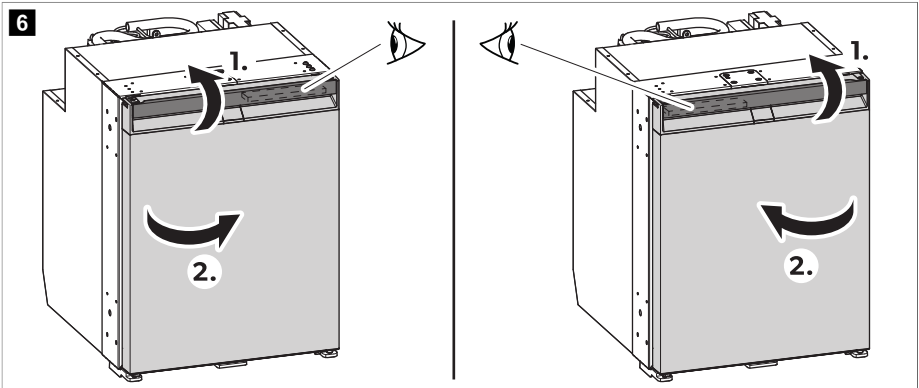
Šaldytuvo ir užšalimo temperatūros kameros durelės gali visiškai atsikabinti nuo prietaiso, jei bus naudojamos netinkamai.

### 8.4.1 Šaldytuvo durelių atidarymas



**PASTABA** Patraukite rankeną priešinga kryptimi nei durelių stabdiklis. Atkreipkite dėmesį į atitinkamą slankiklio padėtį. Skaitykite atitinkamą montavimo vadovą.

> Norėdami atidaryti šaldytuvo dureles, atlikite nurodytus veiksmus.



### 8.4.2 Šaldytuvo durelių atidarymas ir tvirtinimas



### **PERSPĖJIMAS! Sužalojimų rizika**

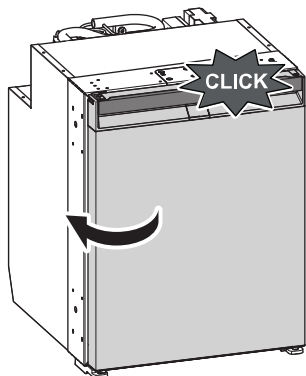
Jei durelės tinkamai neįsitvirtino, paspauskite jas viršuje ir apačioje, kad įsitvirtintų.



**PASTABA** Šaldytuvo durelės turi užsklendimo mechanizmą, kuris taip pat naudojamas jam apsaugoti transportuojant.

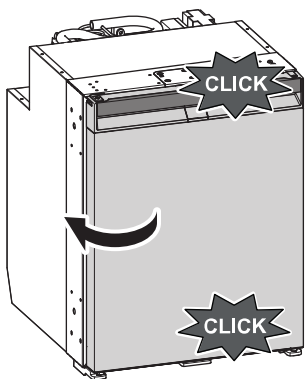
- > NRX0035–0130(E): Spausdami uždarykite dureles, kol viršuje aiškiai pasigirs spragtelėjimas.

### 7 NRX0035 – 0130 (E)



- > NRX0035–0130(C/S): Uždarydami dureles jas paspauskite, kad viršuje ir apačioje pasigirstų spragtelėjimas.

### 8 NRX0035 – 0130 (C/S)





- ✓ Taip durelės bus uždarytos ir įtvirtintos.

## 8.5 Įjungimas ir išjungimas




**PASTABA** Jei ilgai nenaudosite šaldytuvo, būtinai išjunkite jį.

- > Norėdami įjungti, paspauskite ir palaikykite mygtuką  bent 2 s .
- ✓ Šaldytuvą įsijungia parinkus paskutinį naudotą vėsinimo lygio nustatymą ir veikimo režimą.
- > Norėdami išjungti, paspauskite ir palaikykite mygtuką  bent 2 s .

## 8.6 Veikimo režimų nustatymas



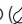
**PASTABA** Pasirinkus ECO, PERFORMANCE arba FREEZER režimą, sistema veikia tuo režimu, kol jo nepakeičiate.

- > Norėdami nustatyti veikimo režimą, pakartotinai spauskite mygtuką , kol užsidegs norimo režimo indikatorius LED.

Yra šie veikimo režimai:

### Režimo ECO naudojimas

Įjungus režimą ECO, šaldytuvas veikia mažesnėmis energijos sąnaudomis 1–3 vėsinimo lygiais.

- ✓ Užsidega režimo ECO indikatorius LED  ir pasirinkto vėsinimo lygio indikatorius LED.

### Režimo QUIET naudojimas

Suaktyvinus režimą QUIET, šaldytuvas veikia tyliau 1–4 vėsinimo lygiais.



**PASTABA**

- > Režimas QUIET neprieinamas, jei šaldytuvas veikia režimu FREEZER.
- > Pasirinkus režimą QUIET, šaldytuvas veiks šiuo režimu 8 h, o tada persijungs į prieš tai pasirinktą veikimo režimą (ECO arba PERFORMANCE).

- ✓ Užsidega režimo QUIET indikatorius LED  ir pasirinkto vėsinimo lygio indikatorius LED.

### Režimo PERFORMANCE naudojimas

Įjungus režimą PERFORMANCE, šaldytuvas veikia standartiniu režimu, 1–5 vėsinimo lygiais.


- ✓ Užsidega PERFORMANCE režimo indikatorius LED  ir pasirinkto vėsinimo lygio indikatorius LED.

### Režimo FREEZER naudojimas


Įjungus režimą FREEZER, visas šaldytuvo vidus atvėšinamas iki  $-6^{\circ}\text{C}$ .



**PASTABA** Jei norite naudoti režimą FREEZER, išimkite užšalimo temperatūros kamerą.

- ✓ Užsidega ir švyti režimo FREEZER indikatorius LED  ir visi vėsinimo lygio indikatorius LED.

## 8.7 Vėsinimo lygio nustatymas

- > Norėdami nustatyti vėsinimo lygį, pakartotinai spauskite mygtuką , kol pasieksite norimą vėsinimo lygį.

## 8.8 Lentynų padėties keitimas



**ĮSPĖJIMAS! Vaikų įstrigimo pavojus**

NRX0060–0130: Visos lentynos pritvirtintos, kad vaikai negalėtų įlipti į šaldytuvą.

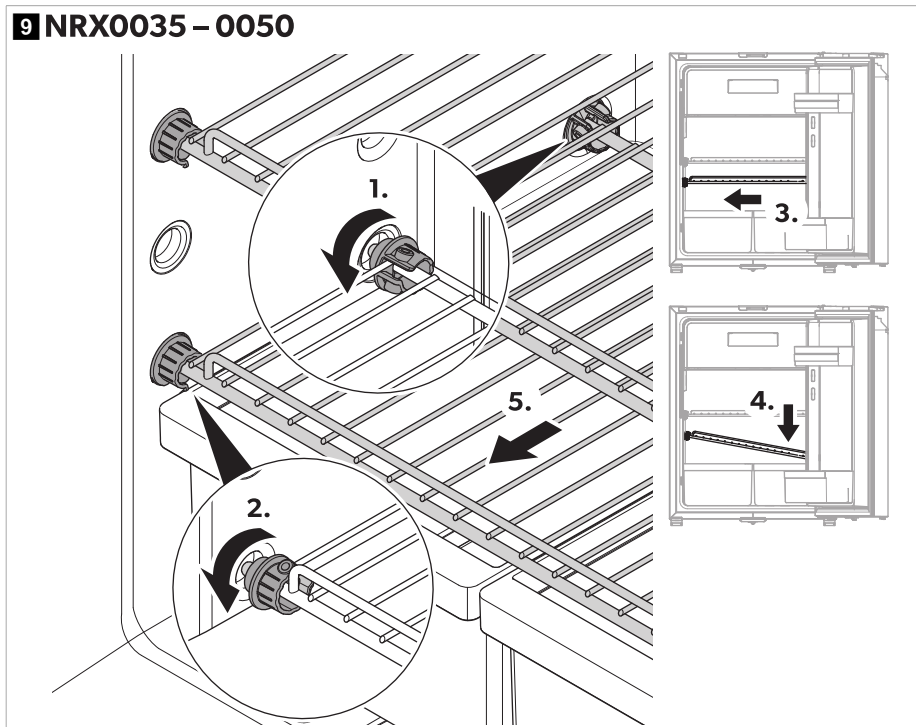
- > Lentynas išimkite tik šaldytuvui išvalyti.
- > Lentynas vėl įdėkite ir pritvirtinkite.



**PASTABA** Prieš keisdami lentynų padėtį, išimkite užšalimo temperatūros kamerą, kad galėtumėte lengviau pasiekti galinių lentynų rankenėles.

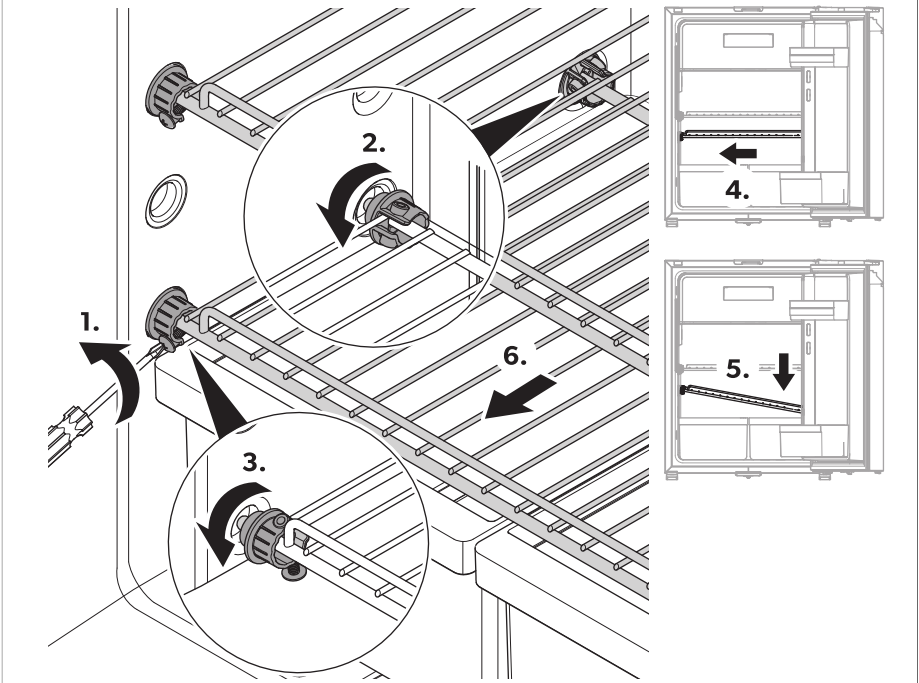
> **NRX0035-0050:** Norėdami pakeisti lentynų padėtį į norimą, atlikite nurodytus veiksmus.

## 9 NRX0035 – 0050



- > **NRX0035-0050:** Norėdami pakeisti lentynų padėtį į norimą, atlikite nurodytus veiksmus.

## 10 NRX0060 – 0130



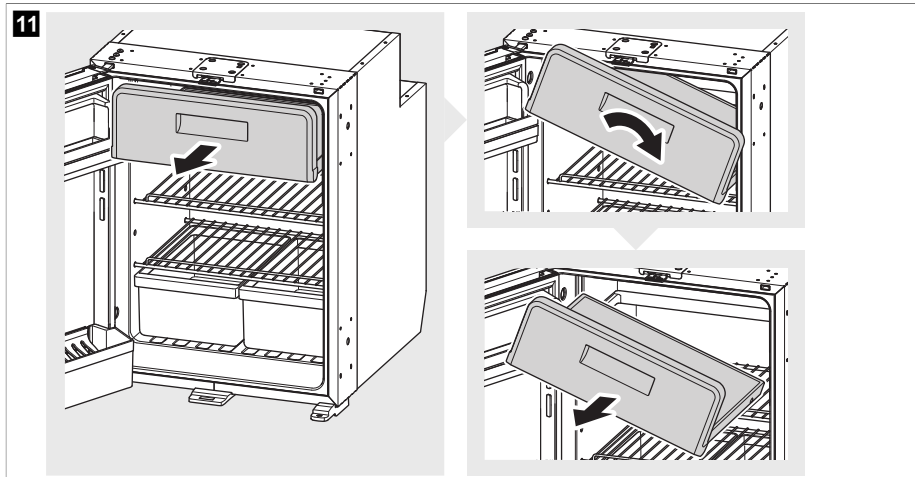
## 8.9 Užšalimo temperatūros kameros išėmimas



### **PRANEŠIMAS! Žalos pavojus**

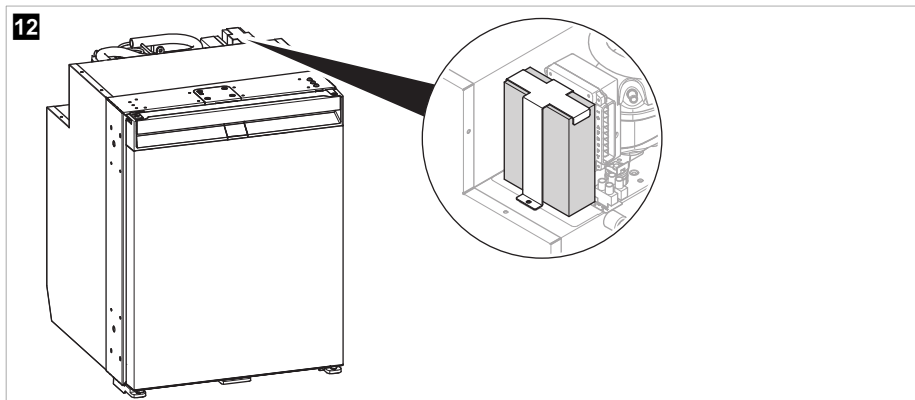
- > Užšalimo temperatūros kamrai išimti uždarykite jos dureles.
- > Suimkite užšalimo temperatūros kamerą už apačios. Netraukite už užšalimo temperatūros kameros durelių.
- > Laikykite užšalimo temperatūros kamerą sausoje ir vėsioje vietoje.

- > Norėdami išimti užšalimo temperatūros kamerą, atlikite nurodytus veiksmus.



## 8.10 Kintamosios srovės / nuolatinės srovės adapterio montavimas

- > Norėdami montuoti KS/NS adapterį (priedai), atlikite nurodytus veiksmus.



## 9 Valymas ir priežiūra



### ĮSPĖJIMAS! Elektros srovės pavojus

Prieš valydami šaldytuvą ir atlikdami jo priežiūros darbus būtina atjungti jį nuo maitinimo šaltinio.



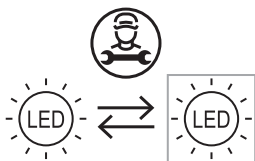
### PRANEŠIMAS! Žalos pavojus

- > Valydami nenaudokite abrazyvinių valymo priemonių ar kietų daiktų.
- > Niekada nenaudokite kietų ar aštrių įrankių ledui pašalinti arba prisalusiems daiktams ištraukti.
- > Įsitinkinkite, kad į sandariklius nelaša vanduo. Tai gali sugadinti elektroniką.



### **PRANEŠIMAS! Žalos pavojus**

Siekiant išvengti pavojaus, apšvietimo šaltinį gali pakeisti tik gamintojas, klientus aptarnaujantis tarpininkas arba panašus kvalifikuotas asmuo.



- > Drėgna šluoste valykite šaldytuvo vidų ir išorę reguliariai ir kai atsiranda nešvarumų. Po valymo šaldytuvą nusausinkite šluoste.
- > Reguliariai tikrinkite kondensato išleidimo angą.  
Jei reikia, išvalykite kondensato nutekėjimo vamzdį. Jei jis užsikimšęs, kondensatas kaupiasi ant šaldytuvo dugno.
- > Drėgna šluoste reguliariai valykite dulkes ir nešvarumus nuo kondensatoriaus.

### **Aušalo kontūras**

Aušalo grandinės nereikia prižiūrėti.

### **Šaldytuvo atitirpinimas**



### **PRANEŠIMAS! Žalos pavojus**

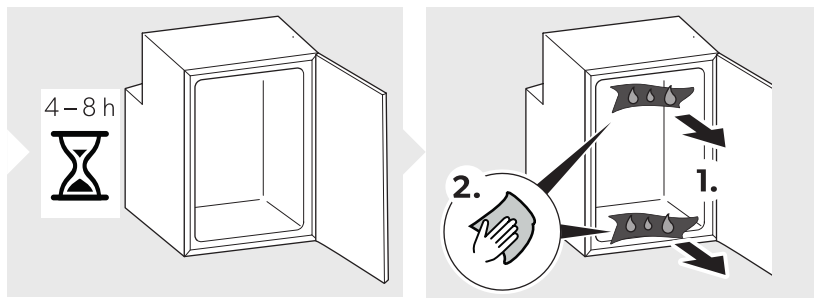
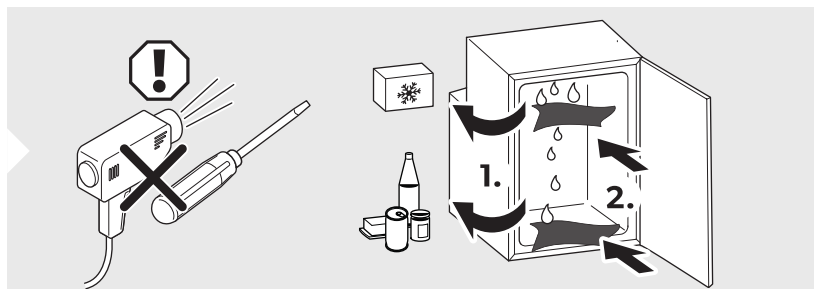
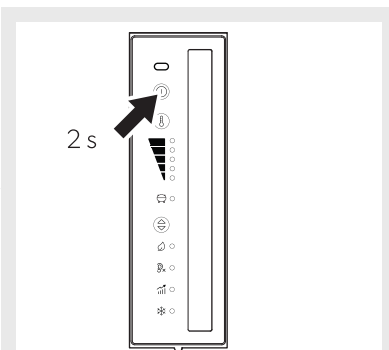
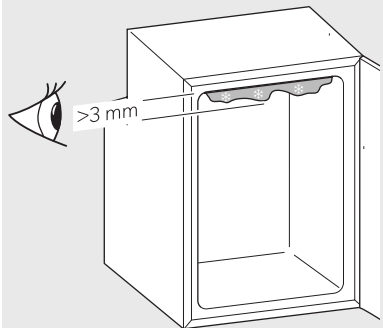
Nenaudokite jokių mechaninių ar kitokių įrankių atitirpinimo procesui pagreitinti.



**PASTABA** Bėgant laikui šaldytuvo viduje esanti galinė sienelė apšerkšnija. Jei šis šerkšno sluoksnis yra maždaug 3 mm storio, atitirpinkite šaldytuvą.

> Norėdami atitirpinti šaldytuvą, atlikite nurodytus veiksmus.

13



### Šaldytuvo durelių nustatymas į sandėliavimo padėtį



**PERSPĖJIMAS! Sužalojimų rizika**

Neleidžiama naudoti sandėliavimo padėties važiuojant.



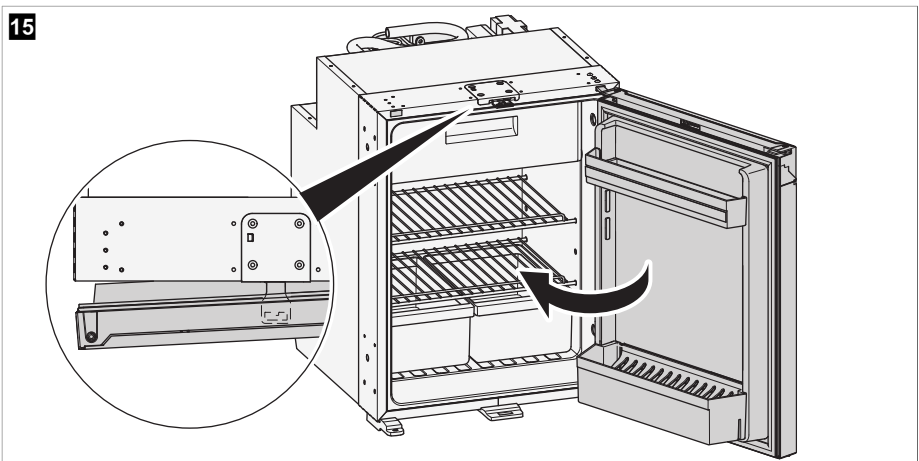
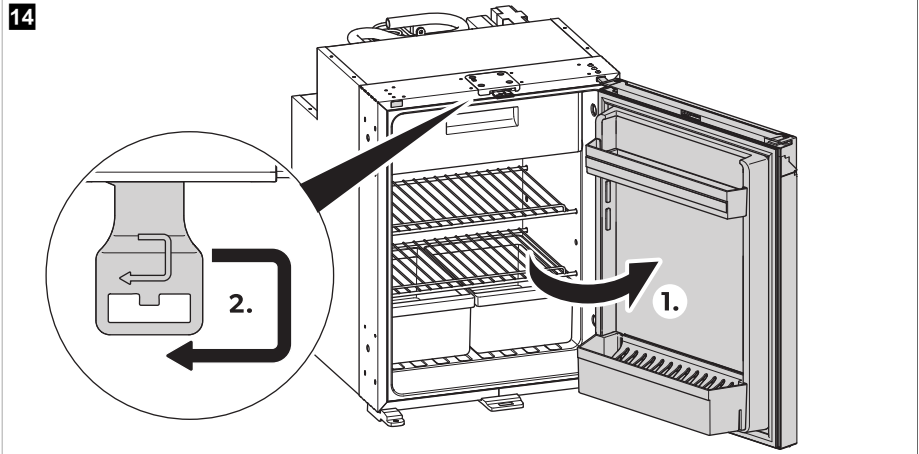
**PASTABA**

Nustatykite šaldytuvo dureles į sandėliavimo padėtį, jei ilgai jo nenaudosite. Taip išvengsite pelėsio susidarymo.

> Atitirpinkite šaldytuvą (žr. Šaldytuvo atitirpinimas puslapyje 617).



> Nustatykite šaldytuvo dureles į sandėliavimo padėtį, kaip parodyta.

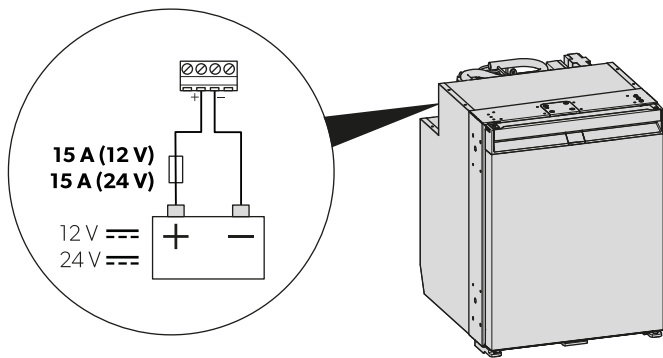



## 10 Gedimų nustatymas ir šalinimas



**PASTABA** Jei norite saugiai naudoti 12 V buitinius prietaisus važiuodami priekabiniame namelyje, užtikrinkite, kad tempianti transporto priemonė tiekėtų pakankamai įtampos. Kai kuriose transporto priemonėse akumuliatoriaus valdymo sistema gali automatiškai išjungti buitinius prietaisus akumuliatoriui apsaugoti. Dėl daugiau informacijos kreipkitės į transporto priemonės gamintoją.

16



| Problema   | Priežastis  | Priemonė   |
|--|---|--|
| Šaldytuvas neveikia.   | Sugedęs nuolatinės srovės kabelio saugiklis.  | > Pakeiskite saugiklį (  pav. 16 puslapyje 620).  |
|  | Perdegę transporto priemonės saugiklis.   | > Pakeiskite transporto priemonės saugiklį.<br>Žr. transporto priemonės naudojimo vadovą.  |
|  | Transporto priemonės akumuliatorius išsikrovęs.   | > Patikrinkite akumuliatorių ir įkraukite.   |
|  | Neįjungtas degimo režimas.  | > Įjunkite degimo režimą.  |
|  | Per žema kompresoriaus temperatūra (< 0 °C).  | > Izoliacine medžiaga visiškai uždengkite visas išorinis ventiliacijos grotelės.   |
|  | Jei įtampa nepakanka, šaldytuvas išsijungia automatiškai.<br>(Atjungimo įtampa: 10,4 V ⇒) | > Įkraukite akumuliatorių. Šaldytuvas vėl įsijungs automatiškai.<br>(Prijungimo įtampa: 11,7 V ⇒)  |
| Prastai vėsinama, padidėjusi vidaus temperatūra. Kompresorius veikia nuolat. | Vėdinimo aplink vėsinimo įrenginį nepakanka.  | > Patikrinkite, ar ventiliacijos grotelės neužsikimšusios.<br>> Perkelkite šaldytuvą į kitą vietą.   |
|  | Aplėdijusios vidinės sienelės.  | > Patikrinkite, ar šaldytuvo durelės tinkamai užsidaro.<br>> Įsitinkite, kad šaldytuvo sandariklis gerai priglundęs ir nėra pažeistas.<br>> Atitirpinkite šaldytuvą (žr. Šaldytuvo atitirpinimas puslapyje 617). |
|  | Nustatyta per aukšta temperatūra.   | > Nustatykite žemesnę temperatūrą.   |
|  | Aplinkos temperatūra yra per aukšta.  | > Kuriam laikui nuimkite ventiliacijos grotelės, kad šiltas oras galėtų greičiau išeiti.   |
|  | Vienu metu į šaldytuvą sudėta per daug maisto.  | > Išimkite dalį maisto.  |
|  | Vienu metu į šaldytuvą sudėta per daug šilto maisto.                                      | > Išimkite šiltą maistą ir palikite jį atvėsti, prieš vėl jį įdėdami.  |

| Problema   | Priežastis   | Priemonė  |
|--|--|---|
|  | Šaldytuvus labai ilgai neveikė.  | > Dar kartą patikrinkite temperatūrą po 4 h / 5 h .                       |
|  | Kondensatorius yra nešvarus.   | > Valykite kondensatorių (žr. skyrių Valymas ir priežiūra puslapyje 616). |
|  | Sugedęs ventiliatorius.  | > Kreipkitės į įgaliotąjį techninės priežiūros atstovą.                   |
| Prastai vėsinama, padidėjusi vidaus temperatūra.<br>Kompresorius dažnai neveikia.                                    | Išleikvota akumulatoriaus talpa.   | > Įkraukite akumuliatorių.  |
| Prastai vėsinama, padidėjusi vidaus temperatūra.<br>Kompresorius neveikia (akumuliatoriaus jungtis).                 | Pertraukta akumuliatoriaus elektronikos jungtis.   | > Prijunkite jungtį.  |
|  | Sugedęs pagrindinis jungiklis (jei sumontuotas).   | > Pakeiskite pagrindinį jungiklį.   |
|  | Perdegė papildomas maitinimo linijos saugiklis (jei sumontuotas).  | > Pakeiskite maitinimo linijos saugiklį.                                  |
|  | Per žema akumuliatoriaus įtampa.   | > Įkraukite akumuliatorių.  |
|  | Per maža akumuliatoriaus talpa.  | > Pakeiskite akumuliatorių.   |
|  | Atsilaisvinę kabeliai.<br>Prastas kontaktas (korozija).  | > Prijunkite jungtį.  |
|  | Per mažas kabelio skerspjūvis.   | > Pakeiskite kabelį.  |
|  | Sugedęs kompresorius.  | > Kreipkitės į įgaliotąjį techninės priežiūros atstovą.                   |
| Prastai vėsinama, padidėjusi vidaus temperatūra.<br>Neveikia kompresorius (jungtis su kinetamosios srovės šaltiniu). | Nutrūko jungties maitinimo linija.   | > Prijunkite jungtį.  |
|  | Sugedęs pagrindinis jungiklis (jei sumontuotas).   | > Pakeiskite pagrindinį jungiklį.   |
|  | Perdegė papildomas maitinimo linijos saugiklis (jei sumontuotas).  | > Pakeiskite maitinimo linijos saugiklį.                                  |
|  | Sugedęs kompresorius.  | > Kreipkitės į įgaliotąjį techninės priežiūros atstovą.                   |
| Neįprasti garsai.  | Negali laisvai judėti aušalo kontūro komponentas (liečia sieną).   | > Atsargiai palenkite komponentą nuo kliūties.                            |
|  | Tarp vėsinimo įrenginio ir sienos įstrigo pašalinis daiktas.   | > Pašalinkite pašalinį daiktą.  |
|  | Ventiliatorius skleidžia triukšmą.   | > Kreipkitės į įgaliotąjį techninės priežiūros atstovą.                   |
| Durelės netikėtai atsidero judant (pvz., važiuojant).  | Durelių fiksatorius nustatytas į padėtį <b>A</b> (žr. skyrių Durelių fiksatoriaus reguliavimas puslapyje 608). | > Nustatykite durelių fiksatorių į padėtį <b>B</b> .                      |
| Durelės netinkamai uždarytos.  | Durelių fiksatorius nustatytas į padėtį <b>A</b> (žr. skyrių Durelių fiksatoriaus reguliavimas puslapyje 608). | > Nustatykite durelių fiksatorių į padėtį <b>B</b> .                      |
|  | Durelių fiksatorius nustatytas į padėtį <b>B</b> (žr. skyrių Durelių fiksatoriaus reguliavimas puslapyje 608). | > Uždarydami įsitikinkite, kad durelės tinkamai užsifiksuoja.             |

| Problema | Priežastis   | Priemonė |
|----------|--|----------|
|          | mas puslapyje 608), bet durlės netinkamai užfiksuotos. |          |

## Klaidos indikacija



### PASTABA

- > Visas klaidas nurodo oranžine spalva mirksintis klaidos indikatorius LED (žr. Valdymo ir ekrano elementai puslapyje 607). Sumirksėjimų skaičius priklauso nuo gedimo tipo. Kiekvienas sumirksėjimas trunka ketvirtadalį sekundės. Po mirksėjimų sekos būna pauzė. Gedimo seka kartojama kas keturias sekundes.
- > ECO, PERFORMANCE ir FREEZER režimu papildomai pypsi garsinis signalas.

| Mirksėjimo dažnumas | Klaida                           | Galima priežastis   |
|---------------------|----------------------------------|---|
| 1                   | Per žema arba per aukšta įtampa  | Tiekiami įtampa nepatenka į nustatytą diapazoną.  |
| 2                   | Per didelė ventiliatoriaus srovė | Elektronikos bloko ventiliatoriaus apkrova yra didesnė nei 1 A.   |
| 3                   | Neįsijungia variklis             | Užstrigęs rotorius.<br>Per didelės slėgio skirtumas vėsinimo sistemoje.                                   |
| 4                   | Per mažas greitis                | Jei vėsinimo sistema perkrauta, negalima palaikyti minimalaus variklio greičio.                           |
| 5                   | Perkaito elektronikos įrenginys  | Jei vėsinimo sistema pernelyg apkrauta arba nustatyta per aukšta temperatūra, gali perkaisti elektronika. |
| Pastoviai           | Temperatūros jutiklio klaidos    | Sugedęs temperatūros jutiklis.  |

## 11 Garantija

Taikomas įstatymų nustatytas garantinis laikotarpis. Jei gaminys pažeistas, susisieki su jūsų šalyje veikiančiu gamintojo filialu (žr. [dometic.com/dealer](http://dometic.com/dealer)) arba prekiautoju.

Jei reikalingas remontas ir garantinis aptarnavimas, pristatydami prietaisą pateikite šiuos dokumentus:

- Kvito kopiją su nurodyta pirkimo data
- Pretenzijos priežastį arba gedimo aprašymą

Atminkite, kad savarankiškas arba neprofesionalus remontas gali turėti pasekmių saugai ir anuliuoti garantiją.

## 12 Utilizavimas



### PRANEŠIMAS! Žalos pavojus

Aušinimo prietaiso izoliaciją sudaro degus ciklopentanas, todėl reikalinga speciali utilizavimo procedūra. Pasibaigus aušinimo prietaiso naudojimo laikui, perduokite jį atitinkamam perdirbimo centrui.



Jei įmanoma, pakavimo medžiagą sudėkite į atitinkamas perdirbimo šiukšliadėžes. Išsamios informacijos apie tai, kaip gaminį pašalinti pagal galiojančias atliekų šalinimo taisykles, teiraukitės vietiniame perdirbimo centre arba specializuoto prekybos atstovo. Europa: Produktą galima utilizuoti nemokamai.

## 13 Techniniai duomenys

Naujausią šio prietaiso ES atitikties deklaraciją rasite interneto svetainėje [dometic.com](http://dometic.com), atitinkamame gaminio puslapyje arba dėl jos galite kreiptis tiesiai į gamintoją (žr. [dometic.com/dealer](http://dometic.com/dealer)).

Šis prietaisas atitinka JT EEK reglamentą R10.

|  | NRX0035(E/C/S) | NRX0050(E/C/S)           | NRX0060(E/C/S) |
|--|----------------|--------------------------|----------------|
| Talpa  |                |                          |                |
| • Šaldytuvo kamera (tik NRX0035–0130[C/S])             | 27,3 L         | 39,6 L                   | 48,9 L         |
| • Užšalimo temperatūros kamera (Tik NRX0035–0130[C/S]) | 4,4 L          | 4,4 L                    | 6,1 L          |
| • Bendra talpa   | 32 L           | 44 L                     | 55 L           |
| • Bendra talpa (išėmus užšalimo temperatūros kamerą)   | 34 L           | 46 L                     | 58 L           |
| Jungties įtampa  |                | 12 / 24 V <sup>---</sup> |                |
| Maitinimo akumuliatoriaus apsauga ( 12 V )             |                |                          |                |
| • Atjungimo įtampa                                     |                | 10,4 V                   |                |
| • Prijungimo įtampa                                    |                | 11,7 V                   |                |
| Maitinimo akumuliatoriaus apsauga ( 24 V )             |                |                          |                |
| • Atjungimo įtampa                                     |                | 22,8 V                   |                |
| • Prijungimo įtampa                                    |                | 24,2 V                   |                |
| Klimato klasė  |                | T                        |                |
| Laikymo temperatūros diapazonas:                       |                |                          |                |
| • Šaldytuvas   |                | 0 °C ... 12 °C           |                |
| • Užšalimo temperatūros kamera (Tik NRX0035–0130[C/S]) |                | –15 °C ... –5 °C         |                |
| • Šaldiklio režimas (Tik NRX0035–0130[C/S])            |                | –6 °C                    |                |
| Numatytas aplinkos temperatūros naudojimas             |                | 16 °C ... 43 °C          |                |
| Aušalas  |                | R134a                    |                |
| Aušalo kiekis  | 24 g           | 26 g                     | 30 g           |
| CO2 ekvivalentas                                       | 0,034 t        | 0,037 t                  | 0,043 t        |
| Visuotinio atšilimo potencialas (GWP)                  |                | 1430                     |                |
| Triukšmo emisija (EN 60704)                            |                | 40 ... 45 dB(A)          |                |

|                      | <b>NRX0035(E/C/S)</b>   | <b>NRX0050(E/C/S)</b>       | <b>NRX0060(E/C/S)</b>       |
|----------------------|---|-----------------------------|-----------------------------|
| Matmenys (A x P x G) | 525 × 380 × 355 mm<br>(be kompresoriaus ir tarpiklio)<br>525 mm ×<br>380 mm × 480 mm<br>(su kompresoriumi ir tarpikliu) | 525 mm ×<br>380 mm × 510 mm | 525 mm ×<br>448 mm × 537 mm |
| Grynas svoris        | E: 13,5 kg<br>C, S: 16 kg   | E: 14,5 kg<br>C, S: 17 kg   | E: 16 kg<br>C, S: 17 kg     |
| Maksimali apkrova    |   |                             |                             |
| • Durelių lentynai   | 4 kg  | 4 kg                        | 5 kg                        |
| • Durelėms           | E: 4 kg<br>C/S: 8 kg  | E: 4 kg<br>C/S: 8 kg        | E: 5 kg<br>C/S: 10 kg       |

|  | <b>NRX0080(E/C/S)</b>    | <b>NRX0115(E/C/S)</b> | <b>NRX0130(E/C/S)</b> |
|--|--------------------------|-----------------------|-----------------------|
| Talpa  |                          |                       |                       |
| • Šaldytuvo kamera (Tik NRX0035 – 0130[C/S])             | 68,4 L                   | 104,5 L               | 118 L                 |
| • Užšalimo temperatūros kamera (Tik NRX0035 – 0130[C/S]) | 6,6 L                    | 8,2 L                 | 8,2 L                 |
| • Bendra talpa   | 75 L                     | 113 L                 | 126 L                 |
| • Bendra talpa (išėmus užšalimo temperatūros kamerą)     | 78 L                     | 116 L                 | 130 L                 |
| Jungties įtampa  | 12 / 24 V <sup>---</sup> |                       |                       |
| Maitinimo akumuliatoriaus apsauga ( 12 V )               |                          |                       |                       |
| • Atjungimo įtampa                                       |                          | 10,4V                 |                       |
| • Prijungimo įtampa                                      |                          | 11,7V                 |                       |
| Maitinimo akumuliatoriaus apsauga ( 24 V )               |                          |                       |                       |
| • Atjungimo įtampa                                       |                          | 22,8V                 |                       |
| • Prijungimo įtampa                                      |                          | 24,2V                 |                       |
| Klimato klasė  | T                        |                       |                       |
| Laikymo temperatūros diapazonas                          |                          |                       |                       |
| • Šaldytuvas   |                          | 0 °C ... 12 °C        |                       |
| • Užšalimo temperatūros kamera (Tik NRX0035–0130[C/S])   |                          | -15 °C ... -5 °C      |                       |
| • Šaldiklio režimas (Tik NRX0035–0130C/S)                |                          | -6 °C                 |                       |

|  | NRX0080(E/C/S)          | NRX0115(E/C/S)          | NRX0130(E/C/S)          |
|--|-------------------------|-------------------------|-------------------------|
| Numatytas aplinkos temperatūros naudojimas | 16 °C ... 43 °C         |                         |                         |
| Aušalas                                    | R134a                   |                         |                         |
| Aušalo kiekis                              | 32 g                    | 40 g                    | 40 g                    |
| CO <sub>2</sub> ekvivalentas               | 0,046 t                 | 0,057 t                 | 0,057 t                 |
| Visuotinio atšilimo potencialas (GWP)      | 1430                    |                         |                         |
| Triukšmo emisija (EN 60704)                | 40 ... 45 dB(A)         |                         |                         |
| Matmenys (A x P x G)                       | 625 x 475 x 537 mm      | 745 x 525 x 568 mm      | 812 x 525 x 568 mm      |
| Grynasis svoris                            | C, S: 20 kg<br>E: 18 kg | C, S: 26 kg<br>E: 24 kg | C, S: 27 kg<br>E: 25 kg |
| Maksimali apkrova                          |                         |                         |                         |
| • Durelių lentynai                         | 5 kg                    | 6 kg                    | 6 kg                    |
| • Durelėms                                 | 10 kg                   | E: 12 kg<br>C/S: 18 kg  | E: 12 kg<br>C/S: 18 kg  |

## 14 Techniniai duomenys

Naujausią šio prietaiso ES atitikties deklaraciją rasite interneto svetainėje [dometic.com](http://dometic.com), atitinkamame gaminio puslapyje arba dėl jos galite kreiptis tiesiai į gamintoją (žr. [dometic.com/dealer](http://dometic.com/dealer)).

Šis prietaisas atitinka JT EEK reglamentą R10.

|  | NRX0090V                |
|--|-------------------------|
| Talpa  |                         |
| • Šaldytuvo kamera                                   | 79 L                    |
| • Užšalimo temperatūros kamera                       | 8,4 L                   |
| • Bendra talpa                                       | 87 L                    |
| • Bendra talpa (išėmus užšalimo temperatūros kamerą) | 92 L                    |
| Jungties įtampa                                      | 12 / 24 V <sup>==</sup> |
| Maitinimo akumuliatoriaus apsauga (12 V)             |                         |
| • Atjungimo įtampa                                   | 10,4 V                  |
| • Prijungimo įtampa                                  | 11,7 V                  |
| Maitinimo akumuliatoriaus apsauga (24 V)             |                         |
| • Atjungimo įtampa                                   | 22,8 V                  |
| • Prijungimo įtampa                                  | 24,2 V                  |
| Suvartojamos energijos kiekis                        | 0,35 kWh / 24 h         |

|   | <b>NRX0090V</b>                                    |
|---|--|
| Klimato klasė   | T  |
| Laikymo temperatūros diapazonas <ul style="list-style-type: none"> <li>• Šaldytuvas</li> <li>• Užšalimo temperatūros kamera</li> <li>• Šaldiklio režimas</li> </ul> | 0 °C ... 15 °C<br>-12 °C ... -5 °C<br>-5 °C ± 2 °C |
| Numatytas aplinkos temperatūros naudojimas  | 16 °C ... 43 °C                                    |
| Aušalas   | R600a  |
| Aušalo kiekis   | 22 g   |
| CO <sub>2</sub> ekvivalentas  | 0,000 t  |
| Visuotinio atšilimo potencialas (GWP)   | 3  |
| Triukšmo emisija (EN60704) <ul style="list-style-type: none"> <li>• Režimas PERFORMANCE</li> <li>• Režimas QUIET</li> </ul>   | < 40 dB(A)<br>37 dB(A)                             |
| Matmenys (A x P x G)  | 821 mm × 486 mm × 480 mm                           |
| Grynasis svoris   | 22 kg  |



## Latviešu

|    |                                      |     |
|----|--------------------------------------|-----|
| 1  | Svarīgas piezīmes.....               | 627 |
| 2  | Simbolu skaidrojums.....             | 627 |
| 3  | Drošības instrukcijas.....           | 628 |
| 4  | Komplektācija.....                   | 630 |
| 5  | Papildu piederumi.....               | 630 |
| 6  | Paredzētais izmantošanas mērķis..... | 632 |
| 7  | Tehniskais apraksts.....             | 632 |
| 8  | Eksploatācija.....                   | 635 |
| 9  | Tīrīšana un apkope.....              | 643 |
| 10 | Problēmu novēršana.....              | 646 |
| 11 | Garantija.....                       | 649 |
| 12 | Atkritumu pārstrāde.....             | 649 |
| 13 | Tehniskie dati.....                  | 650 |
| 14 | Tehniskie dati.....                  | 652 |

## 1 Svarīgas piezīmes

Lūdzam rūpīgi izlasīt un ņemt vērā visus produkta rokasgrāmatā iekļautos norādījumus, vadlīnijas un brīdinājumus, lai nodrošinātu, ka jūs šo produktu vienmēr uzstādāt, lietojat un apkopjat atbilstoši. Šie norādījumi ir OBLIGĀTI jāsaģlabā kopā ar šo produktu.

Lietojot šo produktu, jūs apstiprināt, ka esat rūpīgi izlasījuši visus norādījumus, vadlīnijas un brīdinājumus, un jūs saprotat un piekristat ievērot šeit izklāstītos noteikumus un nosacījumus. Jūs piekristat lietot šo produktu tikai tā paredzētajam mērķim un lietojumam saskaņā ar norādījumiem, vadlīnijām un brīdinājumiem, kas izklāstīti šī produkta rokasgrāmatā, kā arī ievērojot visus piemērojamos normatīvos aktus. Šeit izklāstīto norādījumu un brīdinājumu neizlasīšana un neievērošana var izraisīt traumas sev un citiem, vai radīt bojājumus pašam produktam vai apkārt esošām īpašumam. Informācija šajā produkta rokasgrāmatā, tajā skaitā norādījumi, vadlīnijas, brīdinājumi un saistītā dokumentācija, var tikt mainīta un papildināta. Lai iegūtu jaunāko informāciju par produktu, apmeklējiet vietni [documents.dometic.com](http://documents.dometic.com).

## 2 Simbolu skaidrojums

Signālvārds identificē drošības ziņojumus un ziņojumus par īpašuma bojājumu, kā arī norāda bistamības smaguma pakāpi vai līmeni.



### **BĪSTAMI!**

Apzīmē bīstamu situāciju, kas izraisīs nāvējošus vai nopietnus savainojumus, ja netiks novērsta.



### **BRĪDINĀJUMS!**

Apzīmē bīstamu situāciju, kas var izraisīt nāvējošus vai nopietnus savainojumus, ja netiks novērsta.



### **ESIET PIESARDZĪGI!**

Apzīmē bīstamu situāciju, kas var izraisīt vieglus vai vidēji smagus savainojumus, ja netiks novērsta.



### **ŅEMIET VĒRĀ!**

Apzīmē bīstamu situāciju, kas var izraisīt materiālu kaitējumu, ja netiks novērsta.



**PIEZĪME** Papildu informācija produkta lietošanai.

### 3 Drošības instrukcijas

#### Vispārīga drošība



##### **BRĪDINĀJUMS! Nāvējoša elektrošoka risks**

- > Ledusskapi atļauts uzstādīt vai noņemt tikai kvalificētiem speciālistiem.
- > Uzstādīšana tualetes telpās un vietās, kas pakļautas ūdens iedarbībai, jāveic kvalificētam tehnikim.
- > Uzstādot ledusskapi zem nojumes vai līdzīgā vidē, nodrošiniet, lai ledusskapis ir aizsargāts no lietus un ūdens uzšakstīšanās.
- > Nelietojiet ledusskapi, ja tam ir redzami bojājumi.
- > Ledusskapja remontu drīkst veikt tikai kvalificēts speciālists. Nepareizs remonts var izraisīt nopietnu apdraudējumu vai ledusskapja bojājumus.
- > Ja ledusskapja barošanas kabelis ir bojāts, tā nomaiņu drīkst veikt ražotājs, tā klientu apkalpošanas dienests vai līdzvērtīgi kvalificēta persona, lai izvairītos no drošības apdraudējuma.
- > Novietojiet ledusskapi tā, lai elektrības vads netiktu saspiests vai bojāts.
- > Nenovietojiet aiz ledusskapja pagarinātājus ar vairākām kontaktligzdām vai pārnēsājamos barošanas avotus.
- > Nepieskarieties neizolētajiem vadiem ar kailām rokām.
- > Pievienojiet ierīci tikai tādām kontaktligzdām, kas nodrošina pareizu savienojumu, un it sevišķi tad, ja ierīce ir jāieņem.
- > Ja ierīces barošana tiek nodrošināta no elektrotīkla, pārliecinieties, ka barošanas avotam ir noplūdrāvas aizsargslēdzis (RCCB) vai zemslēdža ķēdes pārtraucējs (GFCI). Uzstādīšana jāveic saskaņā ar visiem piemērojamajiem noteikumiem, jo īpaši potenciāli mitrās vietās.



##### **BRĪDINĀJUMS! Ugunsdrošības apdraudējums**

- > Aukstumaģenta kontūrā ir neliels daudzums videi draudzīga, aukstumaģenta. Tas nebojā ozona slāni un nepalielina siltumnīcas efektu. Noplūdes gadījumā aukstumaģents var aizdegties.
- > Neizmantojiet un neglabājiet ledusskapi slēgtās telpās ar minimālu gaisa plūsmu vai pilnībā bez gaisa plūsmas.
- > Ledusskapja uzstādīšanas nišā nedrīkst atrasties nekāds elektriskais aprīkojums un gaismas avoti, kas normālas vai anormālas darbības laikā var radīt dzirksteles vai lokizlādi (piemēram, releji vai kustošo drošinātāju kārbas).
- > Ledusskapja izolācijas sastāvā ir uzliesmojoša viela ciklopentāns, kam ir nepieciešami īpaši utilizēšanas pasākumi. Ledusskapja kalpošanas laika beigās nododiet to atbilstošā atkritumu pārstrādes punktā.



##### **BRĪDINĀJUMS! Sprādzienbīstamība**

Neglabājiet ledusskapi sprādzienbīstamas vielas, piemēram, aerosolu baloniņus ar propelentiem.



##### **BRĪDINĀJUMS! Apdraudējums veselībai**

- > Bērni, kas sasnieguši 8 gadu vecumu, un personas ar ierobežotām fiziskām, uztveres vai garīgām spējām vai bez pieredzes un zināšanām drīkst lietot šo ledusskapi tikai tad, ja tiek uzraudzītas vai ir saņēmušas norādījumus par ledusskapja drošu lietošanu un saprot iespējamus riskus.
- > Bērniem vecumā no 3 līdz 8 gadiem ir atļauts ievietot produktus ledusskapi un izņemt produktus no ledusskapja.
- > Bērni drīkst tirīt ierīci un veikt tās apkopi tikai pieaugušo uzraudzībā.
- > Bērniem aizliegts spēlēties ar ledusskapi.



##### **BRĪDINĀJUMS! Bērnu iesprostošanas risks**

- > Plauktiem jābūt uzstādītiem un nostiprinātiem tā, lai bērni nevarētu ieslēgties ledusskapi.

- > Pirms atbrīvošanās no jūsu vecā ledusskapja:
  - demontējiet atvilktnes;
  - atstājiet plauktus ledusskapī, lai bērni nevarētu tajā ierāpties.
- > noņemiet durvis.



### **ESĪET PIESARDZĪGI! Apdraudējums veselībai**

- > Lai izvairītos no apdraudējuma, kas var rasties ledusskapja nestabilitātes dēļ, tas jānostiprina saskaņā ar uzstādīšanas norādījumiem.
- > Neaizsprostojiet ledusskapja korpusa vai iekšējās ventilācijas atveres.
- > Neizmantojiet mehāniskas ierīces vai citas metodes, lai paātrinātu atkausēšanas procesu, izņemot tādas, kuras ražotājs paredzējis šādam nolūkam.
- > Nekādā gadījumā neatveriet vai nebojājiet aukstumaģenta sistēmu.
- > Nelietojiet ledusskapī elektroierīces, ja vien ražotājs tās nav ieteicis šādam nolūkam.



### **ESĪET PIESARDZĪGI! Traumu risks**

- > Neizmantojiet un neglabājiet uzliesmojošus materiālus ledusskapī vai tā tuvumā.
- > Neatbalstiet citus priekšmetus pret ledusskapī un nenovietojiet tos uz ledusskapja.
- > Nepārveidojiet šo ledusskapī.



### **ĻĒMIET VĒRĀ! Bojājumu risks**

- > Izvēlieties darbību ar līdzstrāvas barošanas avotu tikai tad, ja transportlīdzekļa dzinējs darbojas un nodrošina pietiekamu spriegumu vai ja izmantojat akumulatora uzraudzības sistēmu.
- > Ja ir kondensāta drenāžas atvere, tai vienmēr jābūt tīrai.
- > Ja ledusskapim ir ventilācijas režģis, mazgājot transportlīdzekli, neizmantojiet augstspiediena mazgātāju ventilācijas režģa tuvumā.
- > Sargājiet ledusskapī no lietus.
- > Nekādā gadījumā neatvienojiet kontaktdakšu no kontaktlīdždas, velkot to aiz savienojuma vada.

## **Droša ledusskapja lietošana**



### **BĪSTAMI! Nāvējoša elektrošoka risks**

Pirms ledusskapja ieslēgšanas pārlicinieties, ka barošanas kabelis un kontaktdakša ir sausi.



### **ESĪET PIESARDZĪGI! Apdraudējums veselībai**

- > Ievietojiet ledusskapī tikai tādus produktus, kurus drīkst atdzēsēt izvēlētajā temperatūrā.
- > Regulāri notīriet virsmas, kas var nonākt saskarē ar pārtiku, un izplūdes sistēmas, kurām var piekļūt.
- > Jēlu gaļu un zivis ledusskapī turiet piemērotos traukos, lai tie nesaskartos ar citu pārtiku un nevarētu uzpīlēt uz tās.
- > Ilgstoša durvju atvēršana var izraisīt būtisku temperatūras paaugstināšanos ledusskapja nodalījumos. Ja ledusskapī paredzēts ilgstoši atstāt tukšu:
  - izslēdziet ledusskapī.
  - atkausējiet ledusskapī;
  - iztīriet un izžāvējiet ledusskapī;
  - atstājiet durvis atvērtas, lai ledusskapī neveidotos pelējums. Ja šī opcija ir pieejama, novietojiet ledusskapja durvis un saldēšanas skapja durvis ziemas pozīcijā.



### **ESĪET PIESARDZĪGI! Traumu risks**

- > Sargājiet pirkstus no eņģēm.

- > Pirms brauciena uzsākšanas aizveriet un nofiksējiet ledusskapja durvis.
- > Ledusskapja aizmugurē esošā dzesēšanas sistēma darbības laikā kļūst ļoti karsta. Ja ledusskapim ir ventilācijas režģi, noņemot ventilācijas režģus, pasargājiet sevi no saskares ar karstām detaļām.
- > Nepareizas lietošanas gadījumā ierīces durvis vai saldēšanas skapja durvis var pilnībā atdalīties. Veriet durvis ciet līdz brīdim, kad augšpusē un apakšpusē dzirdat skaidru klikšķi.



### ŅEMĪET VĒRĀ! Bojājumu risks

- > Neatbalstieties uz atvērtām ledusskapja durvīm.
- > Smagus priekšmetus, piemēram, pudeles vai bundžas, novietojiet tikai ledusskapja durvis, dārzenu nodalījumā vai apakšējā plauktā.
- > Ja ledusskapim ir divviru durvis un pretējās puses durvis nav pareizi nofiksējušās, spiediet ciet attiecīgās puses durvis augšpusē un apakšpusē, līdz tās nofiksējas.
- > **Pārkaršanas risks!** Vienmēr nodrošiniet pietiekamu ventilāciju, lai ierīces radītais silts var izkliedēties. Ledusskapim jāatrodas pietiekamā attālumā no sienām un citiem objektiem, lai nodrošinātu gaisa cirkulāciju.
- > Nelieciet iekšējā nodalījumā ledu nepiepildiet to ar šķidrumu.
- > Sargājiet ledusskapī un barošanas kabeli no karstuma un mitruma.
- > Nekādā gadījumā neatvienojiet kontaktdakšu no kontaktligzdas, velkot to aiz savienojuma vada.



### PIEZĪME

- > Ja transportlīdzekļa akumulatora pārvaldības sistēma izslēdz ledusskapī, lai aizsargātu akumulatoru, sazinieties ar transportlīdzekļa ražotāju.
- > Ja apkārtējās vides temperatūra ir 15 °C ... 25 °C robežās, izvēlieties vidējo temperatūras iestatījumu.
- > Ja durvis pretējā pusē nav pareizi nofiksējušās, tajā pusē piespiediet durvis augšpusē un apakšpusē, līdz tās nofiksējas.
- > Lai novērstu pārtikas bojāšanos, ievērojiet tālākās norādes.
  - Nodrošiniet pēc iespējas mazākas temperatūras svārstības. Atveriet saldēšanas skapja durvis tikai ar tik bieži un tik ilgi, cik nepieciešams. Uzglabājiet pārtikas produktus tā, lai iekšpusē varētu brīvi cirkulēt gaiss.
  - Ievietojiet ledusskapī tikai tādus produktus, kurus drīkst atdzesēt izvēlētajā temperatūrā.
  - Uzglabājiet dažādus pārtikas produktus, kā parādīts attēlos.
  - Ja temperatūru var regulēt: pielāgojiet to atbilstoši uzglabāto pārtikas produktu daudzumam un veidam.
  - Pārtikas produkti var viegli absorbēt vai izdalīt smaržu vai garšu. Vienmēr uzglabājiet pārtikas produktus apsegtā veidā vai slēgtos traukos/pudelēs.

## 4 Komplektācija

| Daudzums | Apraksts                                   |
|----------|--|
| 1        | Kompresora tipa ledusskapis                |
| 1        | Notekcaurules līkums                       |
| 1        | Īsā lietošanas rokasgrāmata                |
| 1        | Lietošanas rokasgrāmata (tikai tiešsaistē) |
| 1        | Uzstādīšanas rokasgrāmata                  |

## 5 Papildu piederumi

Detaļas, kas pieejamas kā papildu piederumi (nav iekļautas piegādes komplektācijā):

| <b>Apraksts</b>                                       | <b>Atsauces Nr.</b>                |
|---|------------------------------------|
| Bidāmās eņģes   | 9620012939                         |
| Stiprinājuma rāmis, tostarp apakšējais rāmis          |                                    |
| • NRX0035, NRX0050                                    | 9620012877                         |
| • NRX0060   | 9620012881                         |
| • NRX0080   | 9620012882                         |
| • NRX0115   | 9620012878                         |
| • NRX0130   | 9620012876                         |
| Stiprinājuma rāmis, tostarp apakšējais rāmis (melns)  |                                    |
| • NRX0035, NRX0050                                    | 9620012874                         |
| • NRX0060   | 9620012875                         |
| • NRX0080   | 9620012880                         |
| • NRX0115   | 9620012879                         |
| • NRX0130   | 9620012883                         |
| Plauktu nomaīņa izņemtam saldēto produktu nodalījumam |                                    |
| • NRX0035, NRX0050                                    | 9620012933                         |
| • NRX0060   | 9620012938                         |
| • NRX0080   | 9620012935                         |
| • NRX0115, NRX0130                                    | 9620012932                         |
| Saldētu produktu nodalījums                           |                                    |
| • NRX0035, NRX0050                                    | 9620012931                         |
| • NRX0060   | 9620012936                         |
| • NRX0080   | 9620012934                         |
| • NRX0115, NRX0130                                    | 9620012937                         |
| Līdzstrāvas/maiņstrāvas adaptors                      | 9620013449 (EU)<br>9620013450 (UK) |

## 6 Paredzētais izmantošanas mērķis

Ledusskapis ir piemērots tālāk norādītajiem izmantošanas veidiem.

- Uzstādīšanai dzīvojamajās piekabēs, kempingos, laivās un kravas automašīnās
- Pārtikas dzesēšanai un glabāšanai.
- **Tikai NRX0035–0130(C/S):** Saldētas pārtikas glabāšanai.
- Lietošanai telpās

Šis ledusskapis nav paredzēts lietošanai komerciālām, mazumtirdzniecības vai māsājniecības vajadzībām.

Šis ledusskapis **nav** piemērots tālāk norādītajiem izmantošanas veidiem.

- Medikamentu uzglabāšanai
- Korozīvu vielu vai šķīdinātājus saturošu vielu uzglabāšana
- Ātrai ēdiena sasaldēšanai
- Lietošanai ārpus telpām

Ja ierīci izmanto laivās, to uzstāda atpūtas telpas zonā, nevis uz atklāta klāja.

Saldētu produktu nodalījums ir paredzēts iepriekš sasaldēta ēdiena uzglabāšanai, saldējuma uzglabāšanai vai gatavošanai, kā arī ledus gabaliņu veidošanai. Tas nav piemērots iepriekš atsaldēta ēdiena atkārtotai sasaldēšanai.

Ledusskapis ir paredzēts iebūvēšanai mēbelēs vai nišā.

Optimāla dzesēšanas veiktspēja tiek nodrošināta apkārtējās vides temperatūrā 16 °C ... 43 °C robežās un ar 90 % maksimālo mitrumu.

Šis produkts ir piemērots tikai paredzētajam mērķim un lietojumam saskaņā ar šo instrukciju.

Šajā rokasgrāmatā ir sniegta informācija, kas nepieciešama pareizai produkta uzstādīšanai un/vai lietošanai. Nekvalitatīva uzstādīšana un/vai nepareiza lietošana vai apkope izraisīs neatbilstošu darbību un iespējamu atteici.

Ražotājs neuzņemas atbildību par savainojumiem vai produkta bojājumiem, kas radušies šādu iemeslu dēļ:

- nepareiza uzstādīšana, montāža vai pievienošana, tostarp pārmērīgs spriegums;
- nepareiza apkope vai tādu neoriģinālo rezerves daļu, kuras nav piegādājis ražotājs, lietošana;
- produkta modifikācijas, kuras ražotājs nav nepārprotami apstiprinājis;
- lietošana citiem mērķiem, kas nav aprakstīti šajā rokasgrāmatā.

Dometic patur tiesības mainīt produkta ārējo izskatu un specifiskāciju.

## 7 Tehniskais apraksts

Šis ir kompresora tipa ledusskapis.

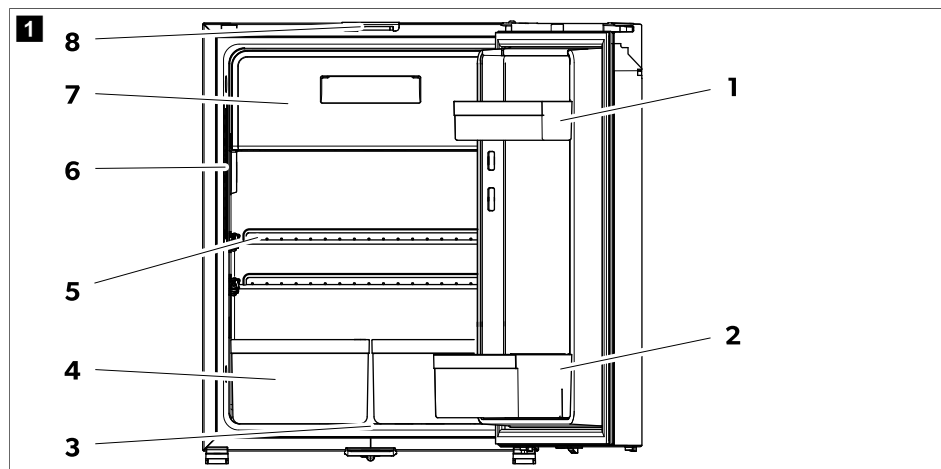
Ledusskapis ir paredzēts darbam ar dažāda veida jaudu, un to var darbināt vai nu ar līdzstrāvas, vai maiņstrāvas barošanas avotu.

NRX0035–0130(C/S): Šim modelim rūpnīcā ir uzstādīts saldētu produktu nodalījums, kuru var izņemt un atkārtoti ievietot.

Ledusskapja durvis aprīkotas ar fiksācijas mehānismu, kas braukšanas laikā neļauj durvīm atvērties.

Visi ledusskapī izmantotie materiāli ir piemēroti saskarei ar pārtikas produktiem.

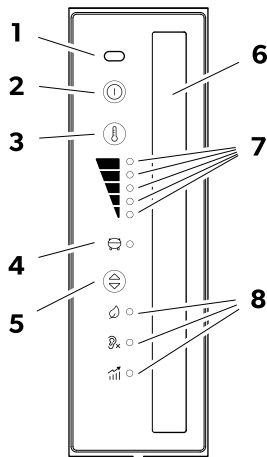
## Ierīces apraksts



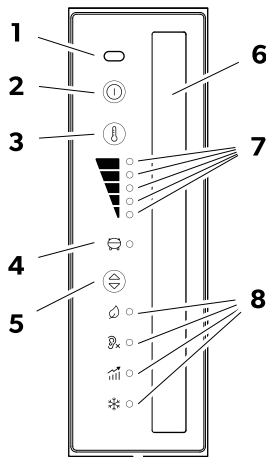
| Nr. | Skaidrojums   |
|-----|---|
| 1   | Durvju plaukts (tikai NRX0035-0130[C/S] un NRX0080-0130[E]) |
| 2   | Pudeļu plaukts  |
| 3   | Kondensāta noteka   |
| 4   | Augļu un dārzeņu nodalījums (tikai NRX0035-0130[C/S])       |
| 5   | Galvenā nodalījuma plaukts                                  |
| 6   | Vadības panelis ar ekrānu                                   |
| 7   | Saldēto produktu nodalījums (tikai NRX0035-0130[C/S])       |
| 8   | Durvju fiksators ventilācijai                               |


## Vadības un ekrāna elementi

## 2 NRX0035 – 0130 (E)



## NRX0035 – 0130 (C/S)



| Nr. | Skaidrojums  |
|-----|--|
| 1   | Infrasarkanais durvju atvēršanās sensors   |
| 2   | Ⓞ IESLĒGŠANAS/IZSLĒGŠANAS poga   |
| 3   | Ⓜ Dzesēšanas līmeņa iestatīšanas poga  |
| 4   | Kompresora un kļūdu LED indikators   |
| 5   | Ⓢ Darbības režīma poga   |
| 6   | Iekšējais apgaismojums   |
| 7   | Dzesēšanas līmeņa LED indikatori<br> <ul style="list-style-type: none"> <li>5. dzesēšanas līmenis</li> <li>4. dzesēšanas līmenis</li> <li>3. dzesēšanas līmenis</li> <li>2. dzesēšanas līmenis</li> <li>1. dzesēšanas līmenis</li> </ul> |
| 8   | Darbības režīma LED indikatori   |

## Kompresora un kļūdu LED indikators





Kompresora un kļūdu LED indikators parāda kompresora darbības statusu vai konstatēto kļūdu.

| Krāsa          | Apraksts   |
|----------------|--|
| Balts          | Kompresors ieslēgts                              |
| Oranžs         | Kompresors izslēgts                              |
| Oranžs (mirgo) | Kļūda (skatiet nodaļu Kļūdu indikatori lpp. 649) |



## Darbības režīma LED indikatori

Darbības režīma LED indikatori parāda tālāk norādīto iestatījumu statusu.

| Simbols   | Apraksts   |
|---|--|
|  | EKONOMISKAIS režīms:<br>Darbība ar samazinātu enerģijas patēriņu.<br>1. – 3. dzesēšanas līmenis  |
|  | KLUSAIS režīms:<br>Darbība ar samazinātu trokšņu līmeni.<br>1. – 4. dzesēšanas līmenis   |
|  | VEIKTSPĒJAS režīms<br>1. – 5. dzesēšanas līmenis   |
|  | SALDĒTAVAS režīms (tikai NRX0035-0130[C/S]):<br>Darbība ar izņemtu saldēto produktu nodalījumu. Atzēsē visu ledusskapi līdz $-6^{\circ}\text{C}$ . |

## 8 Eksploatācija

### 8.1 Pirms pirmās lietošanas reizes

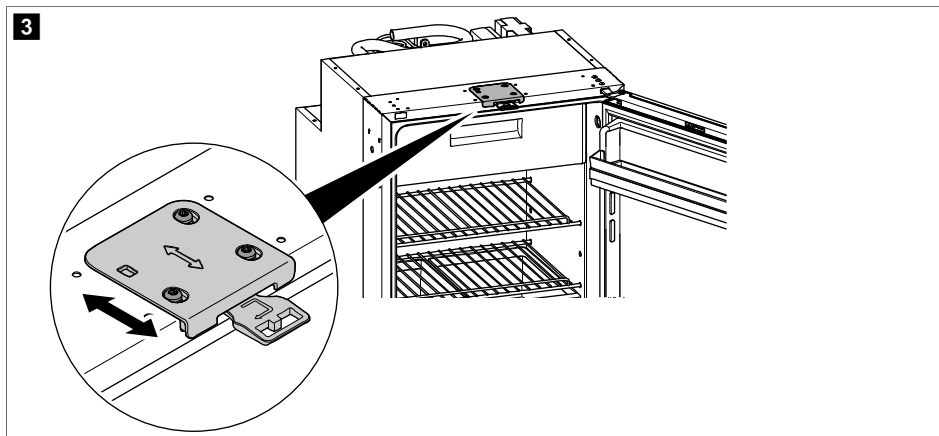


#### PIEZĪME

- > Pirmās 4 stundas pēc ieslēgšanas neievietojiet ledusskapī produktus.
- > Pirmo reizi izmantojot ledusskapi, iespējama ne pārāk spēcīga smaka, kas pēc dažām stundām pazudīs. Kārtīgi izvēdiniet dzīvojamu telpu.
- > Dzesēšanas jaudu var ietekmēt:
  - apkārtējā temperatūra (piem., kad transportlīdzeklis ir pakļauts tiešas saules gaismas iedarbībai);
  - atdzesējamās pārtikas daudzums;
  - durvju atvēršanas biežums.
- > Iztīriet ledusskapja iekšpusi, lai garantētu higiēnisku lietošanu (skat. sadaļu Tīrīšana un apkope lpp. 643).
- > Novietojiet transportlīdzekli lidzenā vietā, jo īpaši, kad ieslēdzat un papildāt ledusskapi pirms ceļa uzsākšanas.

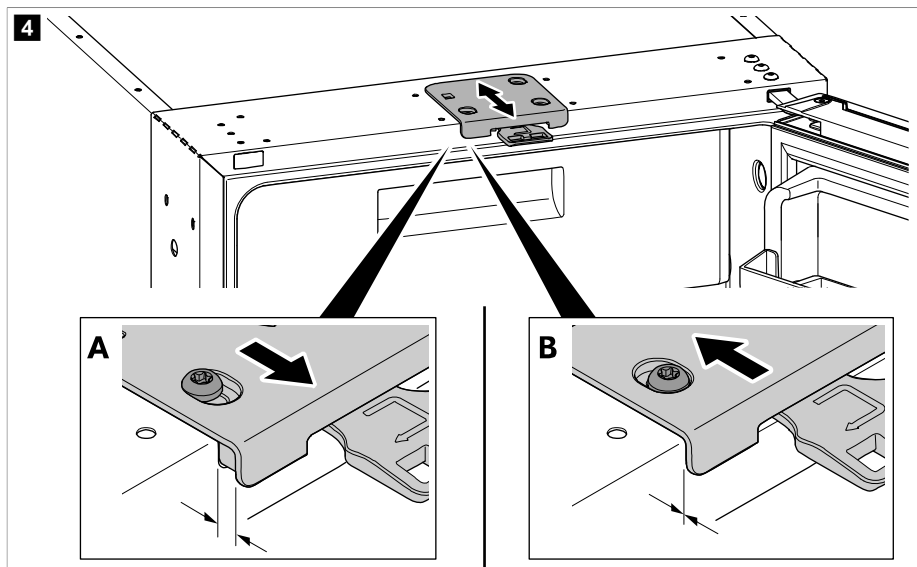
#### 8.1.1 Durvju fiksatora noregulēšana

Durvju fiksatoru ledusskapja augšpusē var noregulēt, lai pielāgotu durvju aizvēršanas platumu.



**PIEZĪME** Pārbaudiet, vai ir uzstādīts regulējams durvju fiksators. Ja nepieciešams, pasūtiet regulējamo durvju fiksatoru ([dometic.com](http://dometic.com)) un nomainiet fiksēto durvju fiksatoru ar regulējamo durvju fiksatoru.

> Durvju fiksators ir rūpnīcā iestatīts pozīcijā **A**. Pārvietojiet durvju fiksatoru pozīcijā **B**.



**PIEZĪME** Ja durvju fiksators atrodas pozīcijā **B**, pārļiecinieties, ka durvis pēc aizvēršanas pareizi fiksējas (skat. nodaļu Ledusskapja durvju aizvēršana un nofiksēšana lpp. 638).

## 8.2 Piezīmes par ēdiena glabāšanu



### ESIET PIESARDZĪGI! Apdraudējums veselībai

Ja ledusskapis ilgstoši atrodas apkārtējā temperatūrā, kas ir zemāka par 10 °C, vairs nevar garantēt precīzu saldēto produktu nodalījuma temperatūras regulēšanu. Temperatūra saldēto produktu nodalījumā var palielināties un tajā esošie produkti – atkust.

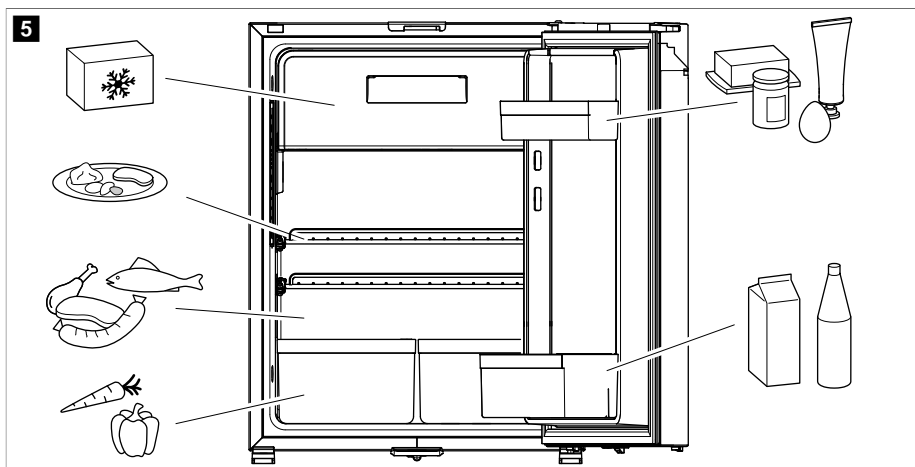


### ĻĒMIET VĒRĀ! Bojājumu risks

- > Ļemiet vērā maksimālo smagumu, ko atļauts ievietot durvju plauktā un durvis kopā (skat. sadaļu Tehniskie dati lpp. 650).
- > Neievietojiet saldēto produktu nodalījumā gāzētus dzērienus.

Lai novērstu pārtikas bojāšanos, ievērojiet tālākās norādes.

- Nodrošiniet pēc iespējas mazākas temperatūras svārstības. Atveriet ledusskapi tikai tik bieži un tik ilgi, cik nepieciešams. Uzglabājiet pārtikas produktus tā, lai iekšpusē varētu brīvi cirkulēt gaiss.
  - pielāgojiet to atbilstoši uzglabāto pārtikas produktu daudzumam un veidam.
  - Uzglabājiet dažādus pārtikas produktus, kā parādīts attēlos.
  - Pārtikas produkti var viegli absorbēt vai izdalīt smaržu vai garšu. Vienmēr uzglabājiet pārtikas produktus apsegtā veidā vai slēgtos traukos/pudeļēs.
- > Uzglabājiet pārtiku, kā norādīts.



## 8.3 Enerģijas taupīšana

- Atveriet ledusskapi tikai tik bieži un tik ilgi, cik nepieciešams.
- Pirms siltas pārtikas ievietošanas ierīcē atdzesēšanai ļaujiet tai atdzist.
- Atkausējiet ledusskapi, kolīdz tajā veidojas ledus kārtas.
- Nelietojiet pārmērīgi zemu temperatūras iestatījumus.
- Lai nodrošinātu optimālu enerģijas patēriņu, novietojiet plauktus un atvilktnes tādā stāvoklī, kādā tie atradās piegādes brīdī.
- Regulāri pārbaudiet, vai durvju blīve ir cieši pieguloša.
- Regulāri notīriet no kondensatora putekļus un netīrumus.

## 8.4 Ledusskapja durvju lietošana



### ESIET PIESARDZĪGĪ! Traumu risks

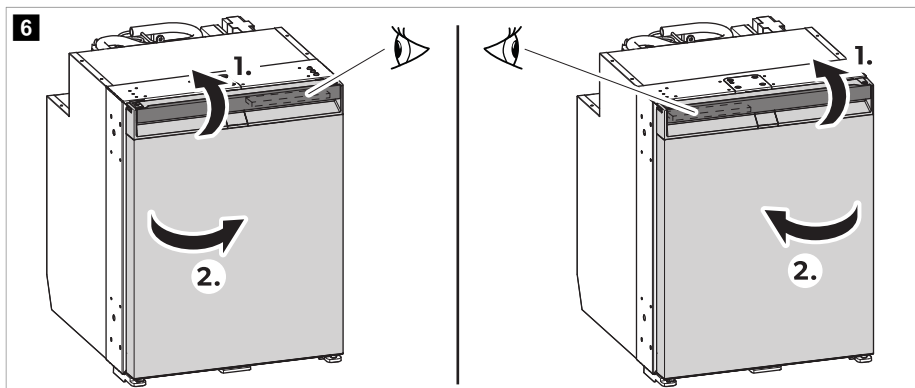
Nepareizas lietošanas gadījumā ledusskapja un saldēto produktu nodalījuma durvis var pilnībā atvienoties.

### 8.4.1 Ledusskapja durvju atvēršana



**PIEZĪME** Noteikti pavelciet otrā pusē esošo rokturi līdz durvju aizturim. Ņemiet vērā slīdņa attiecīgo pozīciju. Skatiet saistīto uzstādīšanas rokasgrāmatu.

> Lai pareizi atvērtu ledusskapja durvis, rikoļojieties, kā norādīts.



### 8.4.2 Ledusskapja durvju aizvēršana un nofiksēšana



### ESIET PIESARDZĪGĪ! Traumu risks

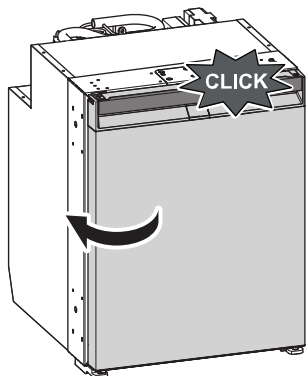
Ja durvis nav pareizi nofiksētas, uzmanīgi piespiediet durvis augšpusē un apakšpusē, līdz tās nofiksējas.



**PIEZĪME** Ledusskapja durvis ir aprīkotas ar fiksācijas mehānismu, kas neļauj durvīm atvērties braukšanas laikā.

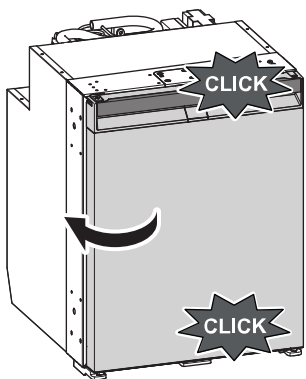
- > NRX0035-0130(E): Veriet ciet durvis, tās piespiežot līdz augšpusē atskan klikšķis.

## 7 NRX0035 – 0130 (E)



- > NRX0035-0130(C/S): Veriet durvis ciet līdz brīdim, kad augšpusē un apakšpusē dzirdat skaidru klikšķi.

## 8 NRX0035 – 0130 (C/S)





- ✓ Durvis ir aizvērtas un nofiksētas.

## 8.5 Ieslēgšana un izslēgšana



**PIEZĪME** Ja zināms, ka ledusskapis ilgstoši netiks izmantots, tad izslēdziet to.

- > Lai ieslēgtu, turiet nospiestu  pogu vismaz 2 s .
- ✓ Kad ledusskapis ieslēdzas, tiek izmantota iepriekš atlasītais dzesēšanas līmenis un darbības režīms.
- > Lai izslēgtu, turiet nospiestu  pogu vismaz 2 s .

## 8.6 Darbības režīmu iestatīšana



**PIEZĪME** Izmantojot EKONOMISKO, VEIKTSPĒJAS vai SALDĒŠANAS SKAPJA režīmu, sistēma paliek šajā režīmā, līdz tiek veiktas turpmākas izmaiņas.

- > Lai iestatītu darbības režīmu, atkārtoti spiediet pogu, līdz iedegas vēlāmā darbības režīma indikatora LED lampiņa.

Ir pieejami tālāk norādītie darbības režīmi.

### EKONOMISKĀ režīma izmantošana

Kad EKONOMISKAIS režīms ir aktivizēts, ledusskapis darbojas ar samazinātu enerģijas patēriņu ar 1.–3. dzesēšanas līmeni.

- ✓ Iedegas darbības EKONOMISKĀ režīma darbības indikatora LED lampiņa un izvēlētā dzesēšanas līmeņa indikatora LED lampiņa.

### KLUSĀ režīma izmantošana

Kad ir aktivizēts KLUŠAIS režīms, ledusskapis darbojas ar samazinātu trokšņa līmeni ar 1.–4. dzesēšanas līmeni.



#### PIEZĪME

- > KLUŠAIS režīms nav pieejams, kad ledusskapis darbojas SALDĒŠANAS SKAPJA režīmā.
- > Kad tiek izmantots KLUŠAIS režīms, ledusskapis paliek šajā režīmā 8 h pēc tam atgriežas iepriekš atlasītajā (EKONOMISKAJĀ vai VEIKTSPĒJAS) režīmā.
- ✓ Iedegas KLUŠĀ režīma darbības indikatora LED lampiņa un izvēlētā dzesēšanas līmeņa indikatora LED lampiņa.

### VEIKTSPĒJAS režīma izmantošana

Kad ir aktivizēts VEIKTSPĒJAS režīms, ledusskapis darbojas standarta režīmā ar 1.–5. dzesēšanas līmeni.

- ✓ Iedegas VEIKTSPĒJAS režīma darbības indikatora LED lampiņa un izvēlētā dzesēšanas līmeņa indikatora LED lampiņa.

### SALDĒŠANAS SKAPJA režīma izmantošana

Kad ir aktivizēts SALDĒŠANAS SKAPJA režīms, ledusskapja visa iekšpuse tiek atdzesēta līdz  $-6\text{ }^{\circ}\text{C}$ .



**PIEZĪME** Izņemiet saldēto produktu nodalījumu, lai izmantotu SALDĒŠANAS SKAPJA režīmu.

- ✓ Nepārtraukti deg SALDĒŠANAS SKAPJA režīma darbības indikatora LED lampiņa un visas dzesēšanas līmeņa indikatora LED lampiņas.

## 8.7 Dzesēšanas līmeņa iestatīšana

- > Lai iestatītu dzesēšanas līmeni, atkārtoti nospiediet pogu, līdz sasniegts vēlamais dzesēšanas līmenis.

## 8.8 Plauktu izkārtojuma maiņa



### BRĪDINĀJUMS! Bērnu iesprostošanas risks

NRX0060–0130: Katrs plaukts ir nostiprināts savā vietā, lai ledusskapī nevarētu ierāpties bērni.

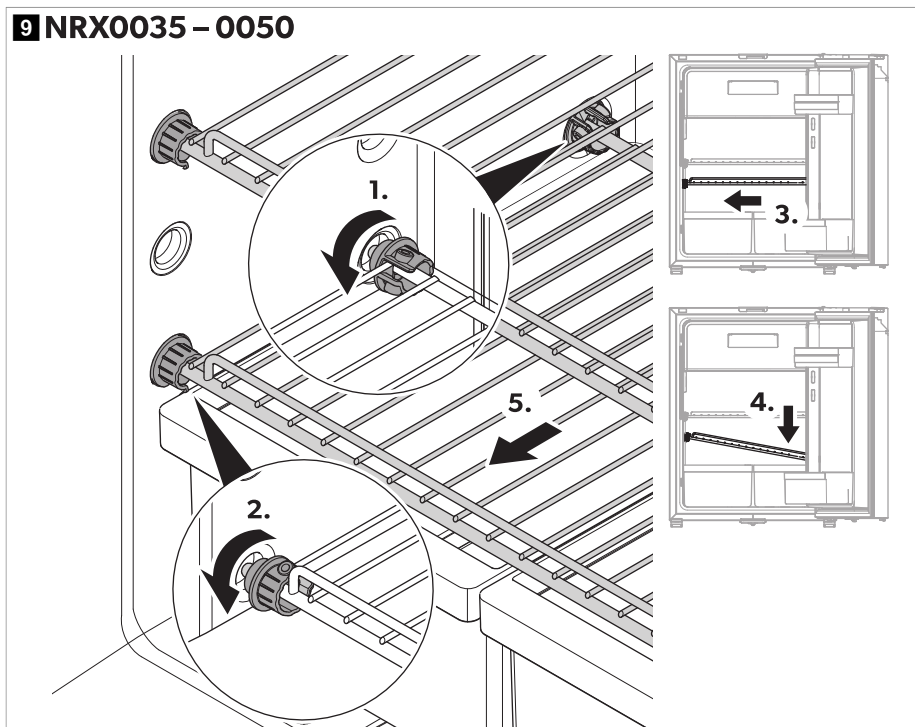
- > Izņemiet plauktus tikai tīrīšanas nolūkiem.
- > Ievietojiet plauktus atpakaļ un nostipriniet tos savā vietā.



**PIEZĪME** Lai, ievietojot atpakaļ plauktus, varētu ērtāk piekļūt plauktu aizmugures stiprinājumiem, izņemiet saldēto produktu nodalījumu.

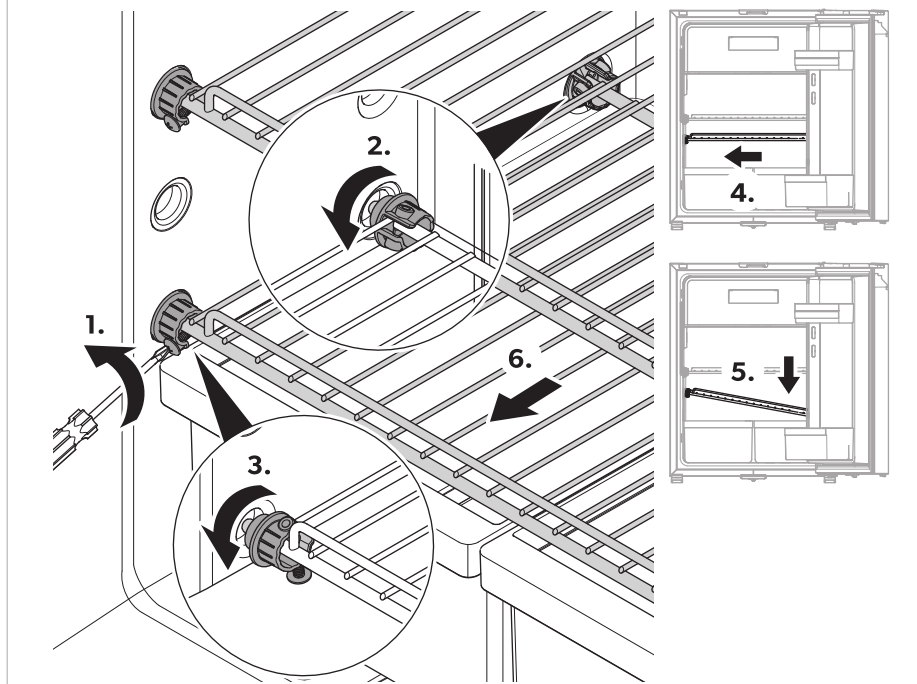
- > **NRX0035-0050:** Lai pārvietotu plauktus atbilstoši savām vēlmēm, rīkojieties, kā norādīts.

### 9 NRX0035 – 0050



- > **NRX0035-0050:** Lai pārvietotu plauktus atbilstoši savām vēlmēm, rikojieties, kā norādīts.

## 10 NRX0060 – 0130



### 8.9 Saldēto produktu nodalījuma izņemšana

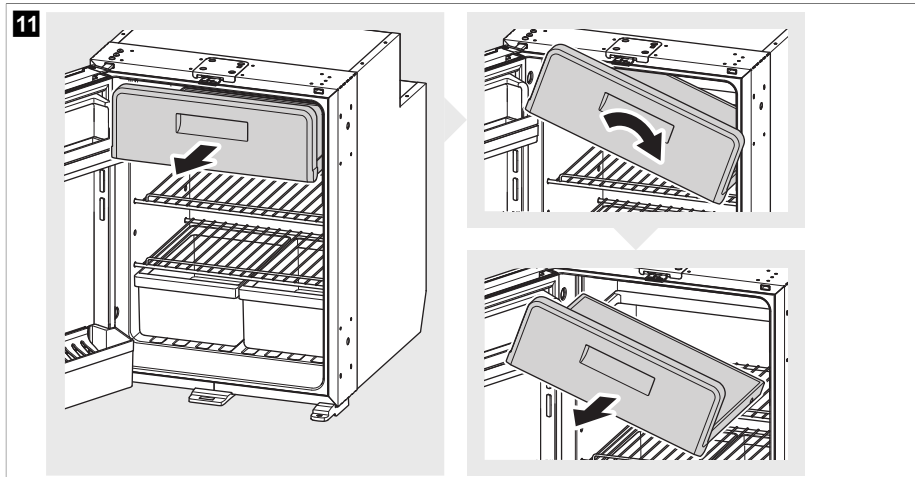


#### ŅEMĪET VĒRĀ! Bojājumu risks

- > Lai izņemtu saldēto produktu nodalījumu, vispirms aizveriet saldēto produktu nodalījuma durvis.
- > Satveriet saldēto produktu nodalījumu aiz tā apakšdaļas. Nevelciet aiz saldēto produktu nodalījuma durvīm.
- > Glabājiet saldēto produktu nodalījumu sausā un drošā vietā.

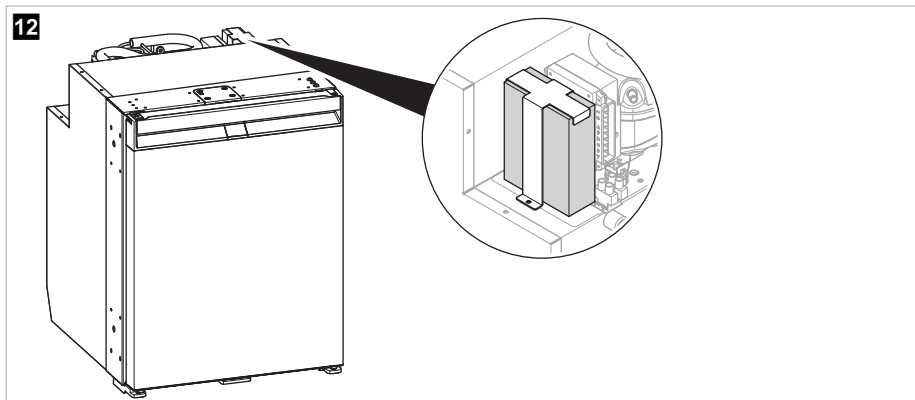


- > Lai izņemtu saldēto produktu nodalījumu, rikojieties, kā parādīts.



## 8.10 Maiņstrāvas/līdzstrāvas adaptera uzstādīšana

- > Lai uzstādītu maiņstrāvas/līdzstrāvas adapteri (papildu piederumus), rikojieties, kā parādīts.



## 9 Tīrīšana un apkope



### **BRĪDINĀJUMS! Nāvējoša elektrošoka risks**

Pirms ledusskapja tīrīšanas un apkopes veikšanas vienmēr atvienojiet ledusskapi no barošanas avota.

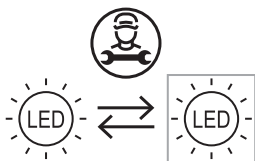


### **NEMIET VĒRĀ! Bojājumu risks**

- > Tīrīšanai neizmantojiet abrazīvus tīrīšanas līdzekļus vai cietus priekšmetus.
- > Ledus noņemšanai vai iesalušu produktu atdalīšanai nedrīkst izmantot cietus vai asus priekšmetus.
- > Raugieties, lai blīvēs neiepilētu ūdens. Tas var sabojāt elektroniku.

**ŅEMIET VĒRĀ! Bojājumu risks**

Lai izvairītos no bīstamības, gaismas avotu nomaiņīt drīkst tikai ražotājs, servisa pārstāvis vai atbilstoši kvalificēta persona.



- > Tīriet ledusskapja iekšpusi un ārpusi ar mitru drānu regulāri un tiklīdz tā ir kļuvusi netīra. Pēc tīrīšanas nosusiniet ar drānu.
- > Regulāri pārbaudiet kondensāta noplūdes atveri.  
Iztīriet kondensāta noplūdes atveri, kad tas nepieciešams. Ja tā ir aizsprostota, kondensāts uzkrāsies ledusskapja apakšā.
- > Regulāri ar mitru drānu notīriet putekļus un netīrumus no kondensatora.

**Aukstumaģenta sistēma**

Aukstumaģenta sistēmai nav nepieciešama apkope.

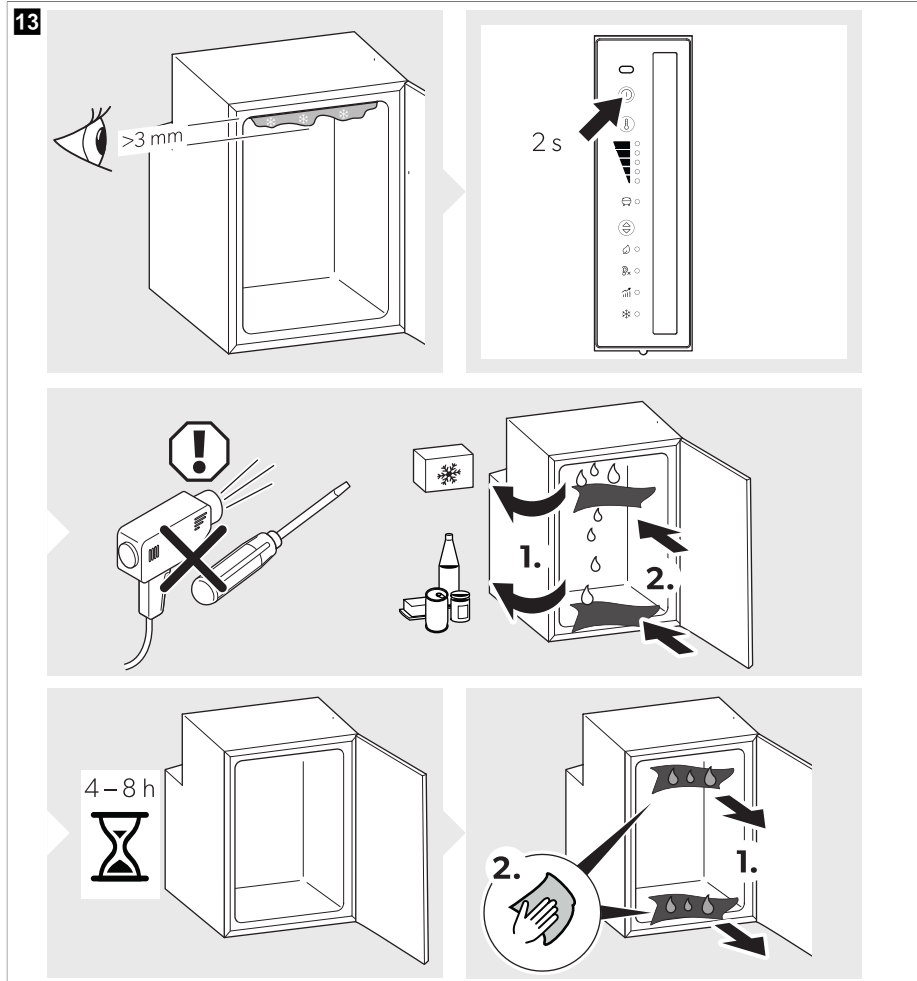
**Ledusskapja atkausēšana****ŅEMIET VĒRĀ! Bojājumu risks**

Nelietojiet mehāniskus instrumentus vai citus rīkus, lai paātrinātu atkausēšanu.



**PIEZĪME** Laika gaitā ledusskapī uz aizmugurējās sienas izveidosies ledus kārtā. Ja šī ledus kārtā ir aptuveni 3 mm bieza, atkausējiet ledusskapī.

> Lai atkausētu ledusskapi, rīkojieties, kā norādīts tālāk.



### Ledusskapja durvju novietošana uzglabāšanas pozīcijā



#### **ESIET PIESARDZĪGI! Traumu risks**

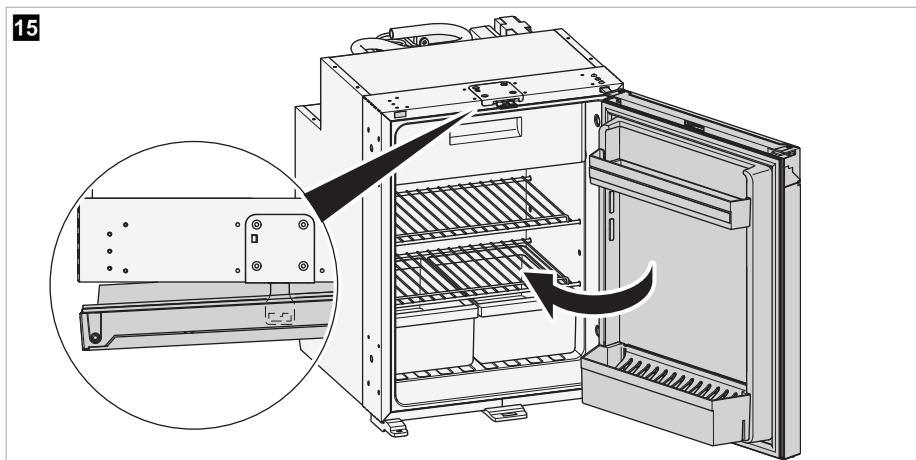
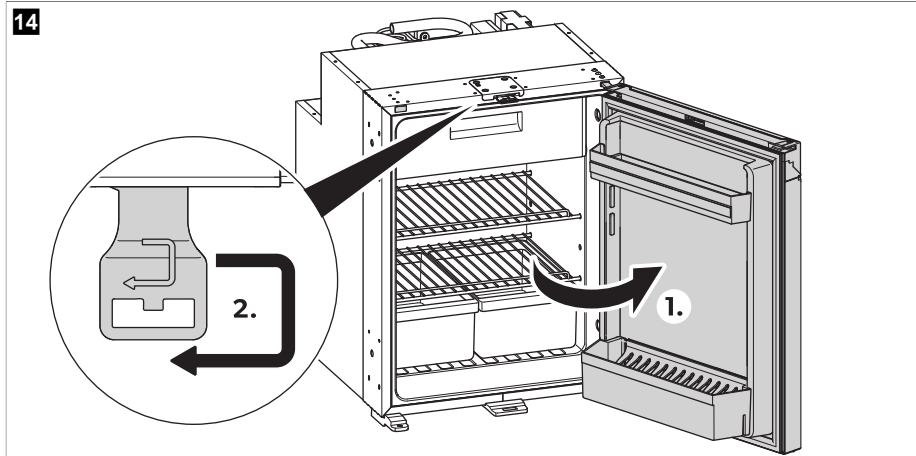
Uzglabāšanas pozīciju nedrīkst izmantot braukšanas laikā.



**PIEZĪME** Novietojiet ledusskapja durvis uzglabāšanas pozīcijā, ja ilgāku laiku neizmantosiet ierīci. Šādi iespējams novērst pelējuma rašanos.

> Atkausējiet ledusskapi (skat. sadaļu Ledusskapja atkausēšana lpp. 644).

> Novietojiet ledusskapja durvis uzglabāšanas pozīcijā, kā parādīts.

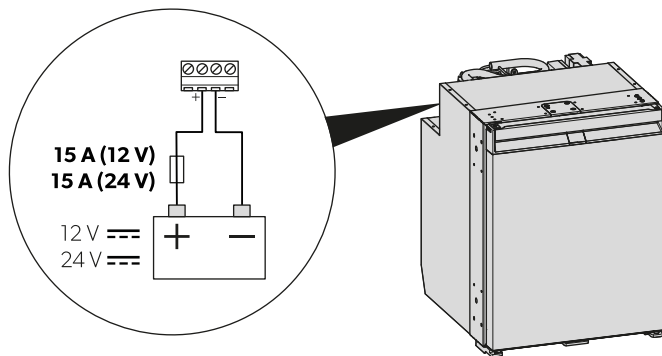


## 10 Problēmu novēršana



**PIEZĪME** Drošai 12 V elektroenerģiju patērējošo ierīču izmantošanai dzīvojamās autopiķabēs braukšanas laikā jāparūpējas, lai velkošais transportlīdzeklis nodrošina pietiekamu spriegumu. Dažos transportlīdzekļos akumulatora vadības sistēma var automātiski atslēgt patērētājus, lai aizsargātu akumulatoru. Plašāku informāciju jautājiet transportlīdzekļa ražotājam.

16



| Problēma  | Cēlonis  | Līdzeklis   |
|---|--|---|
| Ledusskapis nedarbojas.   | Līdzstrāvas vada drošinātājs ir bojāts.  | > Nomainiet drošinātāju ( att. 16 lpp. 647).  |
|   | Ir nostrādājis transportlīdzekļa drošinātājs.  | > Nomainiet transportlīdzekļa drošinātāju.<br>Skatiet sava transportlīdzekļa lietošanas rokasgrāmatu.   |
|   | Transportlīdzekļa akumulators ir izlādējies.   | > Pārbaudiet akumulatoru un uzlādējiet to.  |
|   | Aizdedze nav ieslēgta.   | > Ieslēdziet aizdedzi.  |
|   | Temperatūra pie kompresora ir pārāk zema ( $< 0^{\circ}\text{C}$ ).  | > Pilnībā aizklājiet visus ārējos ventilācijas režģus ar izolācijas materiālu.  |
|   | Ledusskapis automātiski izslēdzas, ja spriegums nav pietiekams.<br>(Atslēgšanas spriegums: $10,4\text{ V} \Rightarrow$ ) | > Uzlādējiet akumulatoru. Ledusskapis automātiski sāks darboties.<br>(Ieslēgšanas spriegums: $11,7\text{ V} \Rightarrow$ )  |
| Nepietiekama dzesēšana, paaugstināta iekšējā temperatūra. Kompresors darbojas nepārtraukti. | Ventilācija ap dzesēšanas iekārtu nav pietiekama.  | > Pārbaudiet, vai ventilācijas režģis nav bloķēts.<br>> Pārvietojiet ledusskapi uz citu vietu.  |
|   | Ledusskapja iekšējās sienas ir apledējušas.  | > Pārbaudiet, vai ledusskapja durvis pilnībā aizveras.<br>> Pārbaudiet, vai ledusskapja blīvslēgs uzstādīts pareizi un nav bojāts.<br>> Atkausējiet ledusskapi (skat. sadaļu Ledusskapja atkausēšana lpp. 644). |
|   | Iestatīta pārāk augsta temperatūra.  | > Iestatiet zemāku temperatūru.   |
|   | Apkārtējā temperatūra ir pārāk augsta.   | > Uz brīdi noņemiet ventilācijas režģi, lai siltais gaiss var izplūst ātrāk.  |
|   | Ledusskapi vienlaikus atradās pārāk daudz produktu.  | > Izņemiet daļu produktu.   |

| Problēma   | Cēlonis  | Līdzeklis   |
|--|--|---|
|  | Ledusskapī vienlaikus atradās pārāk daudz siltu produktu.  | > Izņemiet siltos produktus un ļaujiet tiem atdzist pirms atkal ievietojiet tos ledusskapī. |
|  | Ledusskapis nav lietots ļoti ilgu laiku.   | > Vēlreiz pārbaudiet temperatūru pēc 4 h / 5 h.   |
|  | Kondensators ir netīrs.  | > Notīriet kondensatoru (skatiet nodaļu Tīrīšana un apkope lpp. 643).                       |
|  | Ventilators ir bojāts.   | > Sazinieties ar pilnvarotu servisa pārstāvi.   |
| Nepietiekama dzesēšana, paaugstināta iekšējā temperatūra.<br>Kompresors nedarbojas bieži.  | Akumulatora kapacitāte ir mazinājusies.  | > Uzlādējiet akumulatoru.   |
| Nepietiekama dzesēšana, paaugstināta iekšējā temperatūra.<br>Kompresors nedarbojas (akumulatora savienojums).                    | Akumulatora elektronikas savienojuma pārtraukums.  | > Izveidojiet pareizu savienojumu.  |
|  | Bojāts galvenais slēdzis (ja tāds uzstādīts).  | > Nomainiet galveno slēdzi.   |
|  | Nostrādājis barošanas līnijas papildu drošinātājs (ja tāds uzstādīts).                                 | > Nomainiet barošanas līnijas drošinātāju.  |
|  | Akumulatora spriegums ir pārāk zems.   | > Uzlādējiet akumulatoru.   |
|  | Akumulatora kapacitāte ir pārāk maza.  | > Nomainiet akumulatoru.  |
|  | Vadi ir vaļīgi.<br>Slikts savienojums (korozija).  | > Izveidojiet pareizu savienojumu.  |
|  | Vadu šķērsgriezums ir pārāk mazs.  | > Nomainiet kabeli.   |
|  | Kompresors ir bojāts.  | > Sazinieties ar pilnvarotu servisa pārstāvi.   |
| Nepietiekama dzesēšana, paaugstināta iekšējā temperatūra.<br>Kompresors nedarbojas (savienojums ar maiņstrāvas barošanas avotu). | Padeves līnijas savienojums ir pārtraukts.   | > Izveidojiet pareizu savienojumu.  |
|  | Bojāts galvenais slēdzis (ja tāds uzstādīts).  | > Nomainiet galveno slēdzi.   |
|  | Nostrādājis barošanas līnijas papildu drošinātājs (ja tāds uzstādīts).                                 | > Nomainiet barošanas līnijas drošinātāju.  |
|  | Kompresors ir bojāts.  | > Sazinieties ar pilnvarotu servisa pārstāvi.   |
| Neparasti trokšņi.   | Kāds no aukstumaģenta sistēmas komponentiem nespēj brīvi pārvietoties (pieskaras sienai).              | > Uzmanīgi palokiet komponentu prom no šķēršļa.   |
|  | Starp dzesēšanas iekārtu un sienu ir iestrēdzis svešķermenis.  | > Izņemiet svešķermeni.   |
|  | Trokšņaina ventilatora darbība.  | > Sazinieties ar pilnvarotu servisa pārstāvi.   |
| Durvis nejauši atveras kustības (piemēram, braukšanas) laikā.  | Durvju fiksators ir novietots pozīcijā <b>A</b> (skat. nodaļu Durvju fiksatora noregulēšana lpp. 635). | > Iestatiet durvju fiksatoru pozīcijā <b>B</b> .  |

| Problēma                   | Cēlonis   | Līdzeklis  |
|----------------------------|---|--|
| Durvis neaizveras pareizi. | Durvju fiksators ir novietots pozīcijā <b>A</b> (skat. nodaļu Durvju fiksatora noregulēšana lpp. 635).                                  | > Iestatiet durvju fiksatoru pozīcijā <b>B</b> .             |
|                            | Durvju fiksators ir iestatīts pozīcijā <b>B</b> (skat. nodaļu Durvju fiksatora noregulēšana lpp. 635), bet durvis nav pareizi fiksētas. | > Pārļiecinieties, vai durvju fiksatori ir pareizi aizvērti. |

## Kļūdu indikatori



### PIEZĪME

- > Par visām kļūdām ziņo oranža, mirgojoša kļūdas indikatora LED lampiņa (skat. sadaļu Vadības un ekrāna elementi lpp. 634). Mirgošanas reižu skaits norāda kļūdas veidu. Katra iemirgošanās reize ilgst ceturtdaļu sekundes. Pēc mirgošanas secības beigām seko pauze. Kļūdas kods atkārtoti nomirgo ik pēc četrām sekundēm.
- > EKONOMISKAJĀ, VEIKTSPĒJĀS un SALDĒŠANAS SKAPJA režīmā atskan papildu skaņas signāls.

| Iemirgošanās reizes sērijā | Kļūda                                  | Iespējamais iemesls  |
|----------------------------|--|--|
| 1                          | Pārāk zems vai pārāk augsts spriegums  | Barošanas spriegums ārpus iestatītā vērtību diapazona.   |
| 2                          | Ventilators patērē pārāk daudz strāvas | Ventilatora radītā slodze uz elektronikas bloku pārsniedz 1 A.   |
| 3                          | Motoru nevar iedarbināt                | Iestrēdzis rotors.<br>Spiediena atšķirība dzesēšanas sistēmā ir pārāk liela.                                   |
| 4                          | Pārāk mazs darbības ātrums             | Ja dzesēšanas sistēma ir pārslogota, nav iespējams uzturēt motora darbību ar minimālo ātrumu.                  |
| 5                          | Barošanas bloks pārkārst               | Ja dzesēšanas sistēma ir pārāk noslogota vai iestatīta pārāk augsta temperatūra, barošanas bloks var pārkārst. |
| Nepārtraukti               | Temperatūras sensora kļūda             | Temperatūras sensors ir bojāts.  |

## 11 Garantija

Ir spēkā likumā noteiktais garantijas periods. Produkta bojājumu gadījumā sazinieties ar ražotāja filiāli savā valstī (skatiet [dometic.com/dealer](http://dometic.com/dealer)) vai tirgotāju.

Nosūtiet ierīci remontam garantijas ietvaros, pievienojiet šādus dokumentus:

- čeka kopiju, kurā norādīts iegādes datums;
- pretenzijas iesniegšanas iemeslu vai bojājuma aprakstu.

Ņemiet vērā, ka pašrocīgi vai neprofesionāli veikts remonts var radīt drošības riskus, un garantija var tikt anulēta.

## 12 Atkritumu pārstrāde



### ŅEMĪET VĒRĀ! Bojājumu risks

Dzesēšanas ierīces izolācijas sastāvā ir uzliesmojoša viela ciklopentāns, kam ir nepieciešami īpaši utilizēšanas pasākumi. Dzesēšanas ierīces kalpošanas laika beigās nododiet to atbilstoši atkritumu pārstrādes punktā.



Ja iespējams, iepakojuma materiālus izmetiet atbilstošos atkritumu šķirošanas konteineros. Informāciju par produkta utilizāciju, ievērojot spēkā esošos atkritumu apsaimniekošanas noteikumus, konsultējieties ar vietējo atkritumu pārstrādes centru vai specializēto tirgotāju. Eiropa: Produktu iespējams utilizēt bez maksas.

## 13 Tehniskie dati

Savas ierīces pašreizējo ES atbilstības deklarāciju skatiet attiecīgā produkta lapā vietnē [dometic.com](http://dometic.com) vai sazinieties tieši ar ražotāju (skatiet [dometic.com/dealer](http://dometic.com/dealer)).

Šī ierīce atbilst UN ECE regulējuma R10 prasībām.

|   | NRX0035(E/C/S) | NRX0050(E/C/S)           | NRX0060(E/C/S) |
|---|----------------|--------------------------|----------------|
| Ietilpība   |                |                          |                |
| • Ledusskapja nodalījums (tikai NRX0035-0130[C/S])          | 27,3 L         | 39,6 L                   | 48,9 L         |
| • Saldēto produktu nodalījums (tikai NRX0035-0130[C/S])     | 4,4 L          | 4,4 L                    | 6,1 L          |
| • Kopējā ietilpība  | 32 L           | 44 L                     | 55 L           |
| • Kopējā ietilpība (ar izņemtu saldēto produktu nodalījumu) | 34 L           | 46 L                     | 58 L           |
| Pieslēguma spriegums  |                | 12 / 24 V <sup>---</sup> |                |
| Barošanas akumulatora aizsardzība ( 12 V )                  |                |                          |                |
| • Atslēgšanas spriegums                                     |                | 10,4 V                   |                |
| • Ieslēgšanas spriegums                                     |                | 11,7 V                   |                |
| Barošanas akumulatora aizsardzība ( 24 V )                  |                |                          |                |
| • Atslēgšanas spriegums                                     |                | 22,8 V                   |                |
| • Ieslēgšanas spriegums                                     |                | 24,2 V                   |                |
| Klimata klase   |                | T                        |                |
| Uzglabāšanas temperatūras diapazons:                        |                |                          |                |
| • Ledusskapis   |                | 0 °C ... 12 °C           |                |
| • Saldēto produktu nodalījums (tikai NRX0035-0130[C/S])     |                | -15 °C ... -5 °C         |                |
| • Saldētavas režīms (tikai NRX0035-0130[C/S])               |                | -6 °C                    |                |
| Paredzētā lietošanas vides temperatūra                      |                | 16 °C ... 43 °C          |                |
| Aukstumaģents   |                | R134a                    |                |
| Aukstumaģenta daudzums                                      | 24 g           | 26 g                     | 30 g           |
| Pielīdzināmais CO <sub>2</sub> daudzums                     | 0,034 t        | 0,037 t                  | 0,043 t        |



|                                      | NRX0035(E/C/S)   | NRX0050(E/C/S)            | NRX0060(E/C/S)           |
|--------------------------------------|--|---------------------------|--------------------------|
| Globālās sasilšanas potenciāls (GWP) | 1430   |                           |                          |
| Troksņa emisija (EN 60704)           | 40 ... 45 dB(A)  |                           |                          |
| Izmēri, augst. x plat. x dziļ.       | 525 × 380 × 355 mm<br><br>(bez kompresora un starplikas)<br>525 mm × 380 mm × 480 mm<br><br>(ar kompresoru un starpliku) | 525 mm × 380 mm × 510 mm  | 525 mm × 448 mm × 537 mm |
| Neto svars                           | E: 13,5 kg<br>C, S: 16 kg  | E: 14,5 kg<br>C, S: 17 kg | E: 16 kg<br>C, S: 17 kg  |
| Maksimālais smagums                  |  |                           |                          |
| • Durvju plauktam                    | 4 kg   | 4 kg                      | 5 kg                     |
| • Durvīm kopā                        | E: 4 kg<br>C/S: 8 kg   | E: 4 kg<br>C/S: 8 kg      | E: 5 kg<br>C/S: 10 kg    |

|   | NRX0080(E/C/S)          | NRX0115(E/C/S) | NRX0130(E/C/S) |
|---|-------------------------|----------------|----------------|
| Ietilpība   |                         |                |                |
| • Ledusskapja nodalījums (tikai NRX0035 – 0130[C/S])        | 68,4 L                  | 104,5 L        | 118 L          |
| • Saldēto produktu nodalījums (tikai NRX0035 – 0130[C/S])   | 6,6 L                   | 8,2 L          | 8,2 L          |
| • Kopējā ietilpība  | 75 L                    | 113 L          | 126 L          |
| • Kopējā ietilpība (ar izņemtu saldēto produktu nodalījumu) | 78 L                    | 116 L          | 130 L          |
| Pieslēguma spriegums  | 12 / 24 V <sup>==</sup> |                |                |
| Barošanas akumulatora aizsardzība (12 V)                    |                         |                |                |
| • Atslēgšanas spriegums                                     | 10,4 V                  |                |                |
| • Ieslēgšanas spriegums                                     | 11,7 V                  |                |                |
| Barošanas akumulatora aizsardzība (24 V)                    |                         |                |                |
| • Atslēgšanas spriegums                                     | 22,8 V                  |                |                |
| • Ieslēgšanas spriegums                                     | 24,2 V                  |                |                |
| Klimata klase   | T                       |                |                |
| Glabāšanas temperatūras diapazons                           |                         |                |                |
| • Ledusskapis   | 0 °C ... 12 °C          |                |                |

|   | <b>NRX0080(E/C/S)</b>   | <b>NRX0115(E/C/S)</b>   | <b>NRX0130(E/C/S)</b>   |
|---|-------------------------|-------------------------|-------------------------|
| <ul style="list-style-type: none"> <li>Saldēto produktu nodalījums (tikai NRX0035-0130[C/S])</li> </ul> | -15 °C ... -5 °C        |                         |                         |
| <ul style="list-style-type: none"> <li>Saldētavas režīms (tikai NRX0035-0130C/S)</li> </ul>             | -6 °C                   |                         |                         |
| Paredzētā lietošanas vides temperatūra  | 16 °C ... 43 °C         |                         |                         |
| Aukstumaģents   | R134a                   |                         |                         |
| Aukstumaģenta daudzums  | 32 g                    | 40 g                    | 40 g                    |
| Pielīdzināmais CO2 daudzums   | 0,046 t                 | 0,057 t                 | 0,057 t                 |
| Globālās sasilšanas potenciāls (GWP)  | 1430                    |                         |                         |
| Trokšņa emisija (EN 60704)  | 40 ... 45 dB(A)         |                         |                         |
| Izmēri, augst. x plat. x dziļ.  | 625 × 475 × 537 mm      | 745 × 525 × 568 mm      | 812 × 525 × 568 mm      |
| Neto svars  | C, S: 20 kg<br>E: 18 kg | C, S: 26 kg<br>E: 24 kg | C, S: 27 kg<br>E: 25 kg |
| Maksimālais smagums   |                         |                         |                         |
| <ul style="list-style-type: none"> <li>Durvju plauktam</li> </ul>                                       | 5 kg                    | 6 kg                    | 6 kg                    |
| <ul style="list-style-type: none"> <li>Durvim kopā</li> </ul>   | 10 kg                   | E: 12 kg<br>C/S: 18 kg  | E: 12 kg<br>C/S: 18 kg  |

## 14 Tehniskie dati

Savas ierīces pašreizējo ES atbilstības deklarāciju skatiet attiecīgā produkta lapā vietnē [dometic.com](http://dometic.com) vai sazinieties tieši ar ražotāju (skatiet [dometic.com/dealer](http://dometic.com/dealer)).

Šī ierīce atbilst UN ECE regulējuma R10 prasībām.

|   | <b>NRX0090V</b>         |
|---|-------------------------|
| Ietilpība   |                         |
| <ul style="list-style-type: none"> <li>Ledusskapja galvenais nodalījums</li> </ul>                          | 79 L                    |
| <ul style="list-style-type: none"> <li>Saldētu produktu nodalījums</li> </ul>                               | 8,4 L                   |
| <ul style="list-style-type: none"> <li>Kopējā ietilpība</li> </ul>  | 87 L                    |
| <ul style="list-style-type: none"> <li>Kopējā ietilpība (ar izņemtu saldēto produktu nodalījumu)</li> </ul> | 92 L                    |
| Pieslēguma spriegums  | 12 / 24 V <sup>==</sup> |
| Barošanas akumulatora aizsardzība (12 V)  |                         |
| <ul style="list-style-type: none"> <li>Atslēgšanas spriegums</li> </ul>                                     | 10,4 V                  |
| <ul style="list-style-type: none"> <li>leslēgšanas spriegums</li> </ul>                                     | 11,7 V                  |

|  | <b>NRX0090V</b>          |
|--|--------------------------|
| Barošanas akumulatora aizsardzība (24 V) |                          |
| • Atslēgšanas spriegums                  | 22,8 V                   |
| • Ieslēgšanas spriegums                  | 24,2 V                   |
| Enerģijas patēriņš                       | 0,35 kWh / 24 h          |
| Klimata klase                            | T                        |
| Glabāšanas temperatūras diapazons        |                          |
| • Ledusskapis                            | 0 °C ... 15 °C           |
| • Saldētu produktu nodalījums            | -12 °C ... -5 °C         |
| • Saldēšanas skapja režīms               | -5 °C ± 2 °C             |
| Paredzētā lietošanas vides temperatūra   | 16 °C ... 43 °C          |
| Aukstumaģents                            | R600a                    |
| Aukstumaģenta daudzums                   | 22 g                     |
| Pielīdzināmais CO <sub>2</sub> daudzums  | 0,000 t                  |
| Globālās sasilšanas potenciāls (GWP)     | 3                        |
| Trokšņa emisija (EN60704)                |                          |
| • PERFORMANCE režīms                     | < 40 dB(A)               |
| • QUIET režīms                           | 37 dB(A)                 |
| Izmēri, augst. x plat. x dziļ.           | 821 mm × 486 mm × 480 mm |
| Neto svars                               | 22 kg                    |







[dometic.com](https://dometic.com)

---

## **YOUR LOCAL DEALER**

[dometic.com/dealer](https://dometic.com/dealer)

## **YOUR LOCAL SUPPORT**

[dometic.com/contact](https://dometic.com/contact)

## **YOUR LOCAL SALES OFFICE**

[dometic.com/sales-offices](https://dometic.com/sales-offices)

---