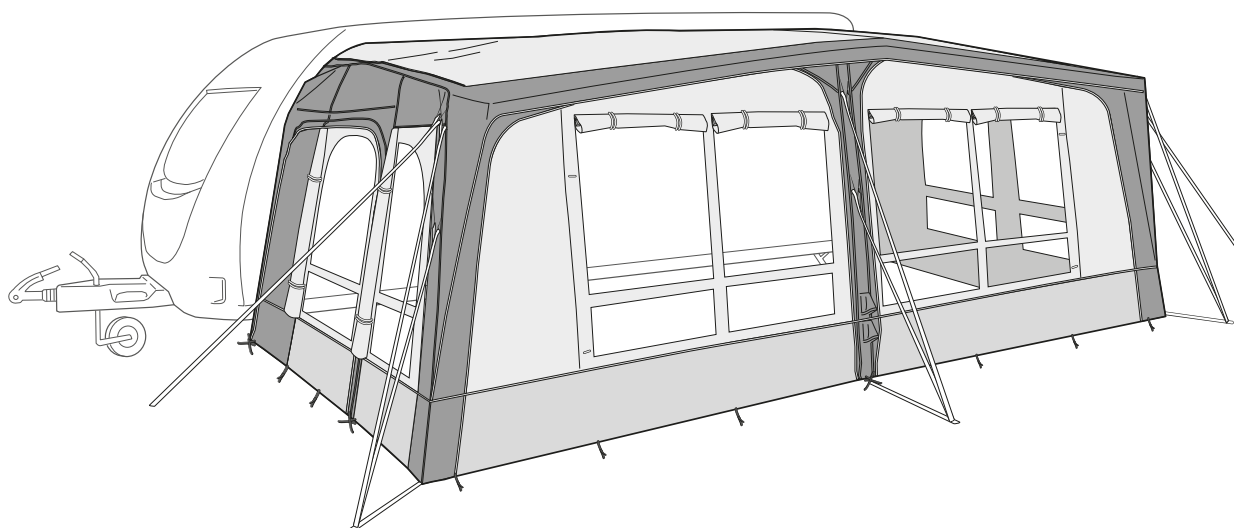




TENTS & EQUIPMENT

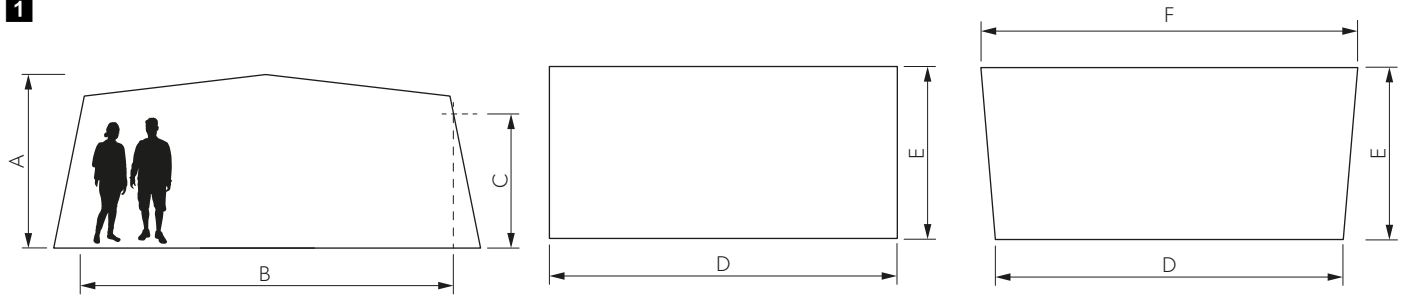
RESIDENCE AIR



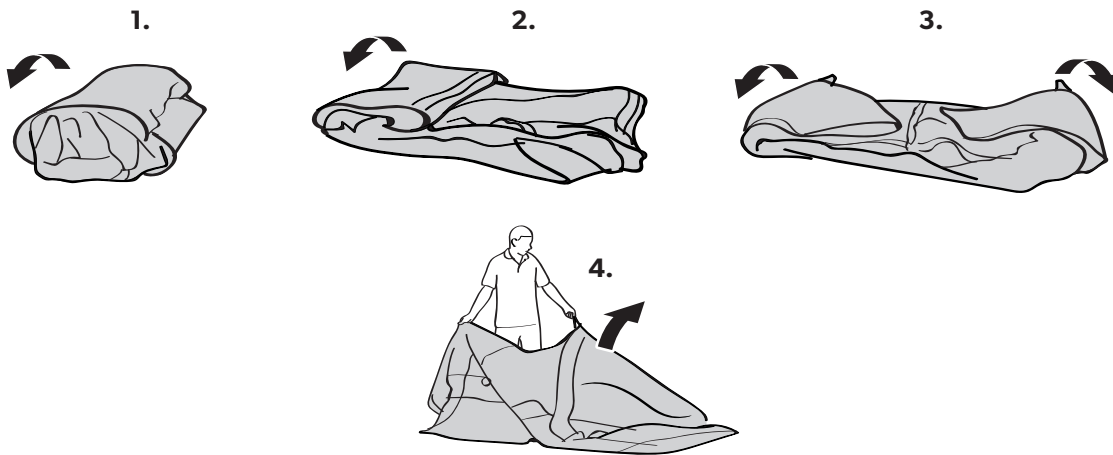
Residence AIR All-Season Size 11-19

EN	Inflatable awning tent Installation and Operating Manual 8	SK	Надувная предпалатка Návod na montáž a uvedenie do prevádzky. 56
DE	Aufblasbares Vorzelt Montage- und Bedienungsanleitung 12	CS	Nafukovací předstan Návod k montáži a obsluze. 60
FR	Auvent gonflable Instructions de montage et d'utilisation 16	HU	Felfújható elősátor Szerelési és használati útmutató 64
ES	Avancé inflable Instrucciones de montaje y de uso 20	HR	Predšator na napuhavanje Upute za montažu i rukovanje 68
PT	Avançado insuflável Instruções de montagem e manual de instruções. 24	TR	Şişme tente çadır Kurulum ve İşletme Kılavuzu 72
IT	Veranda gonfiabile Istruzioni di montaggio e d'uso 28	SL	Napihljiv predšotor Navodila za montažo in uporabo. 76
NL	Opblaasbare voortent Montagehandleiding en gebruiksaanwijzing . . . 32	RO	Cort tip verandă Manual de instalare și de utilizare 80
DA	Oppusteligt fortelt Monterings- og betjeningsvejledning 36	BG	Надуваема тентова палатка Ръководство за инсталация и работа 84
SV	Uppblåsbart förtält Monterings- och bruksanvisning. 40	ET	Täispuhutav varikatusega telk Paigaldus- ja kasutusjuhend 88
NO	Oppblåsbart fortelt Monterings- og bruksanvisning 44	EL	Φουσκωτή σκηνή τέντας Εγχειρίδιο τοποθέτησης και χρήσης 92
FI	Imatäytteinen etutelkka Asennus- ja käyttöohje 48	LT	Pripučiamo tentinė palapinė Montavimo ir naudojimo vadovas 97
PL	Nadmuchiwany przedsionek Instrukcja montażu i obsługi 52	LV	Piepūšama markīzes telts Uzstādīšanas un lietošanas rokasgrāmata 101

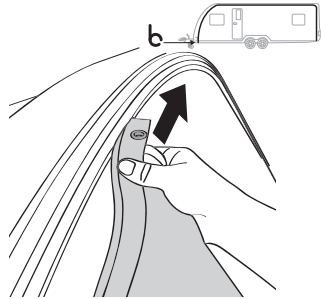
© 2023 Dometic Group. The visual appearance of the contents of this manual is protected by copyright and design law. The underlying technical design and the products contained herein may be protected by design, patent or be patent pending. The trademarks mentioned in this manual belong to Dometic Sweden AB. All rights are reserved.

1

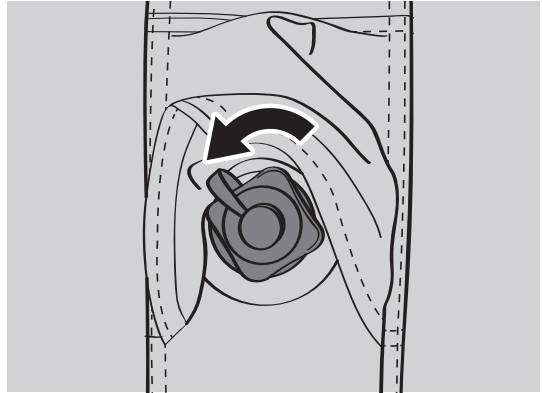
mm	Size 11	Size 12	Size 13	Size 14	Size 15	Size 16	Size 17	Size 18	Size 19
A	2400	2400	2400	2400	2400	2400	2400	2400	2400
B	4500	4500	5000	5000	5500	5500	6000	6000	6500
C	1900	1900	1900	1900	1900	1900	1900	1900	1900
D	5200	5200	5700	5700	6200	6200	6700	6700	7200
E	2750	2750	2750	2750	2750	2750	2750	2750	2750
F	-	5450	-	5950	-	6450	-	6950	-

2

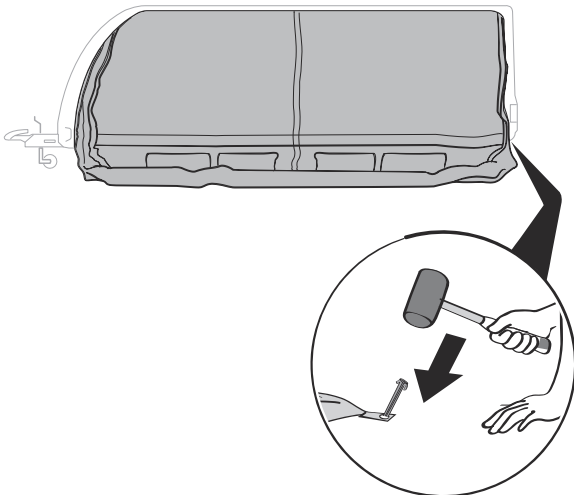
3



6



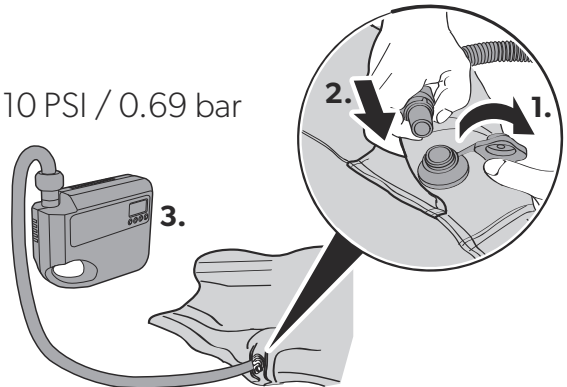
4



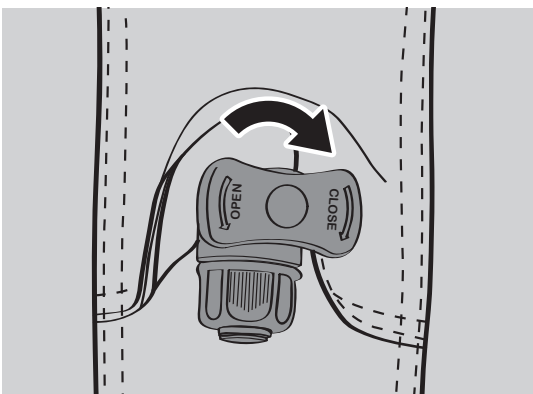
7



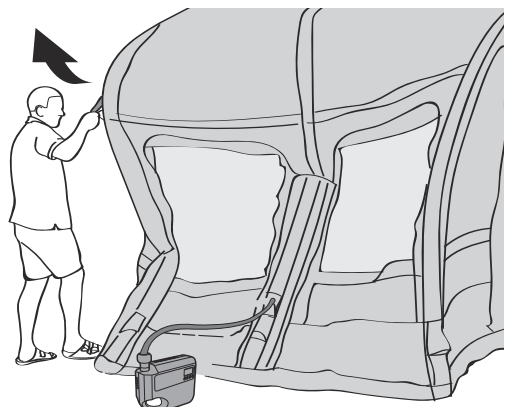
10 PSI / 0.69 bar



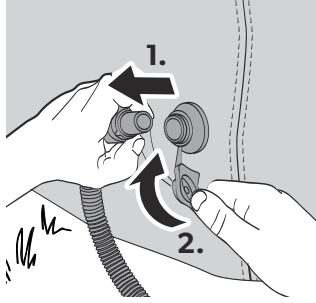
5



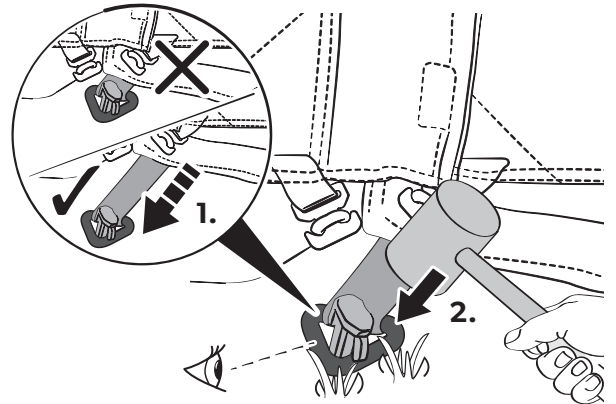
8



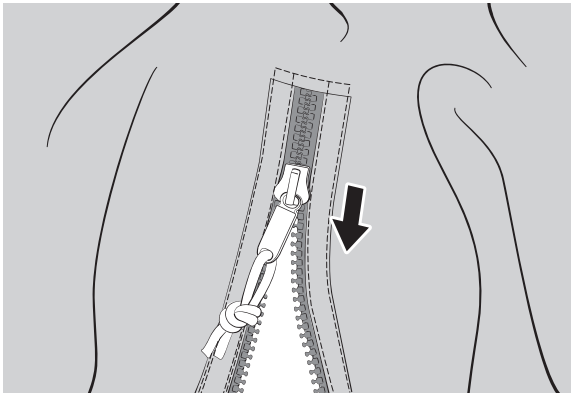
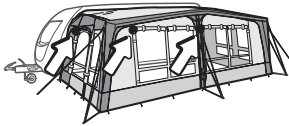
9



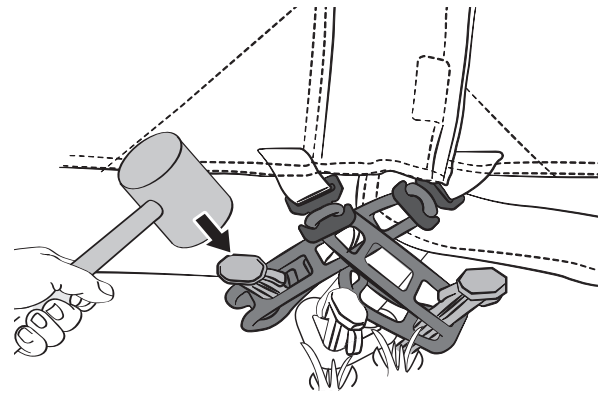
12



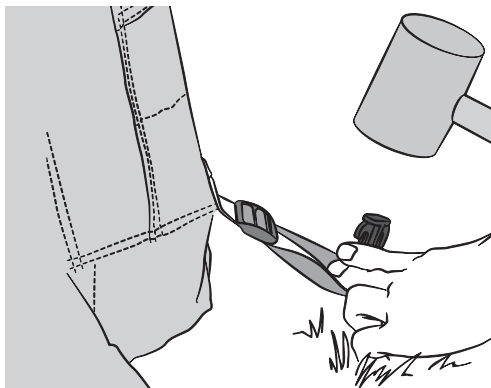
10



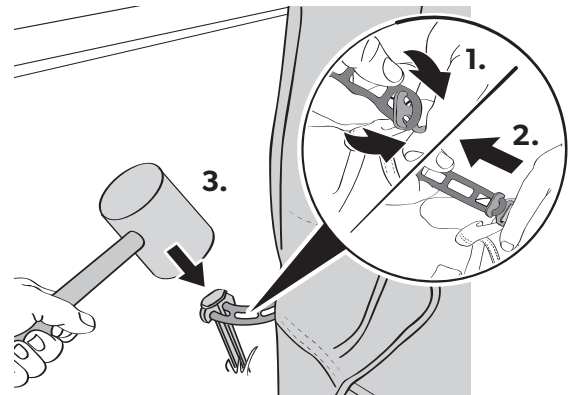
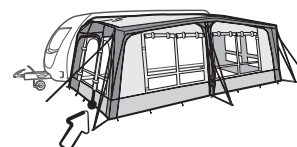
13



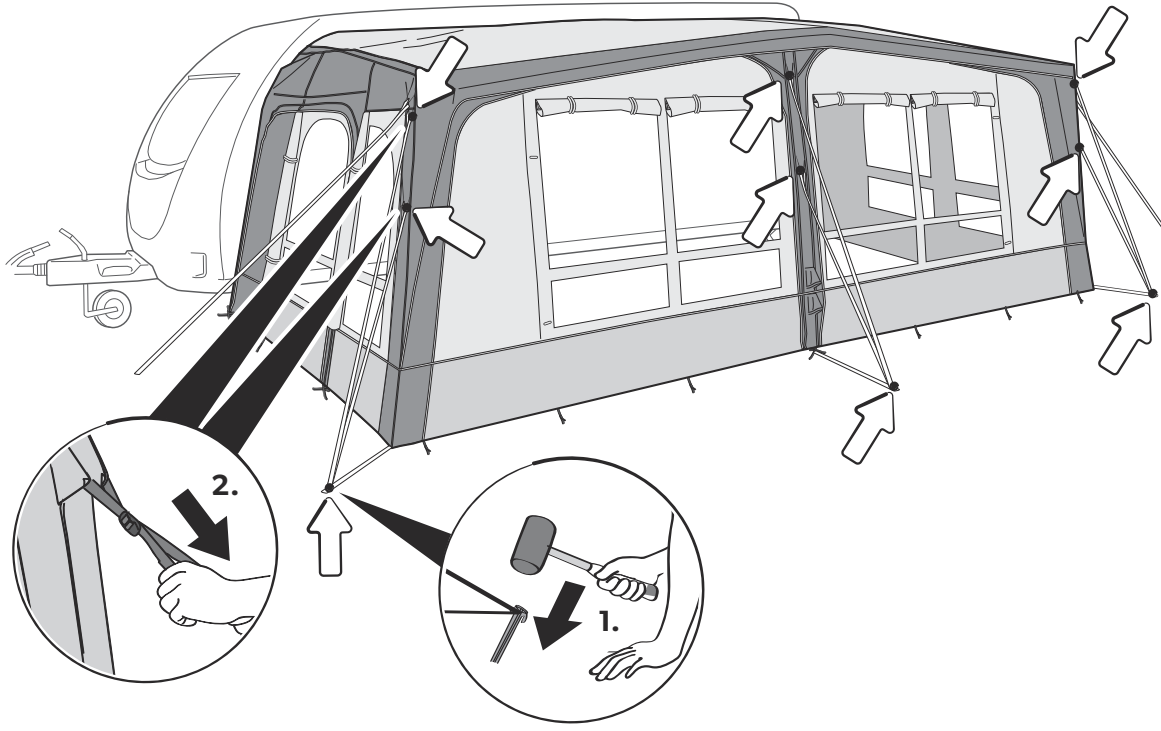
11



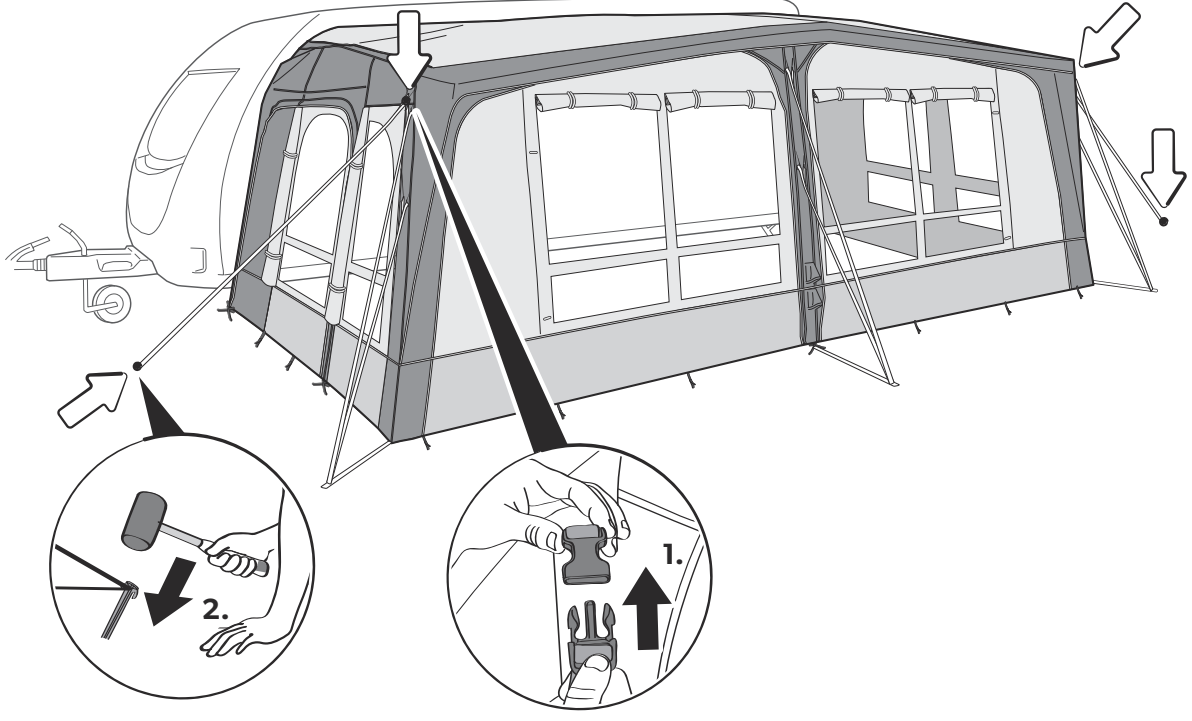
14



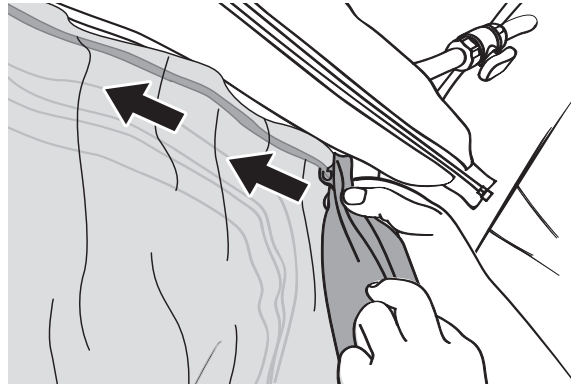
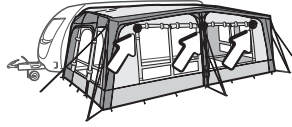
15



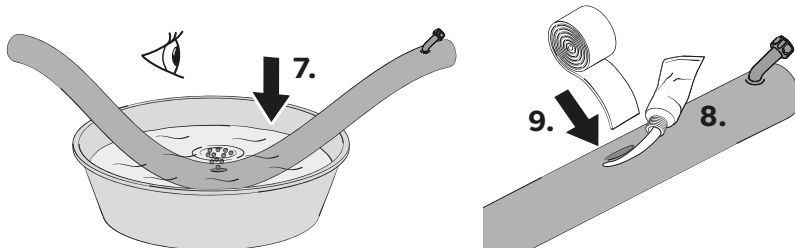
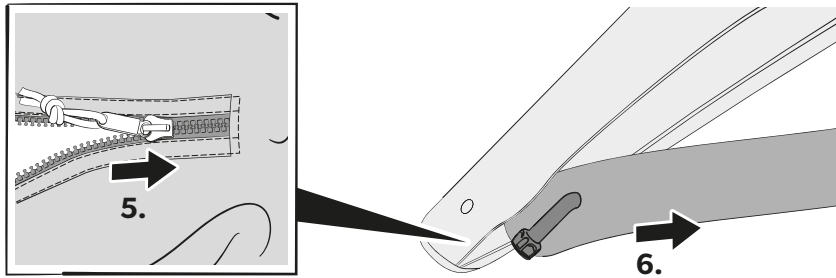
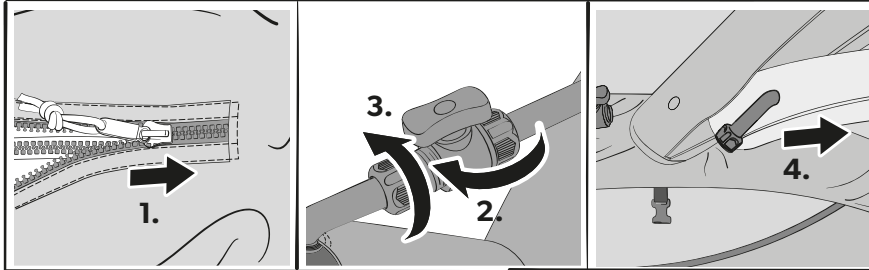
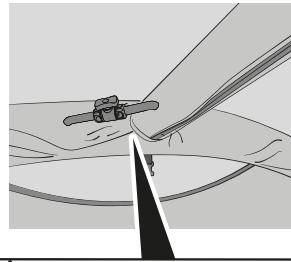
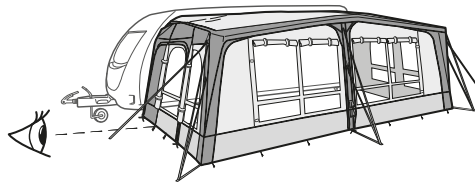
16



17



18



Please read these instructions carefully and follow all instructions, guidelines, and warnings included in this product manual in order to ensure that you install, use, and maintain the product properly at all times. These instructions MUST stay with this product.

By using the product, you hereby confirm that you have read all instructions, guidelines, and warnings carefully and that you understand and agree to abide by the terms and conditions as set forth herein. You agree to use this product only for the intended purpose and application and in accordance with the instructions, guidelines, and warnings as set forth in this product manual as well as in accordance with all applicable laws and regulations. A failure to read and follow the instructions and warnings set forth herein may result in an injury to yourself and others, damage to your product or damage to other property in the vicinity. This product manual, including the instructions, guidelines, and warnings, and related documentation, may be subject to changes and updates. For up-to-date product information, please visit dometic.com.



Find the "How To Set Up Your Caravan Awning" video on https://www.youtube.com/watch?v=hokC_gmD0IQ

Explanation of symbols



DANGER!

Safety instruction: Indicates a hazardous situation that, if not avoided, will result in death or serious injury.



WARNING!

Safety instruction: Indicates a hazardous situation that, if not avoided, could result in death or serious injury.



CAUTION!

Safety instruction: Indicates a hazardous situation that, if not avoided, could result in minor or moderate injury.



NOTICE!

Indicates a situation that, if not avoided, can result in property damage.



NOTE

Supplementary information for operating the product.

Safety instructions



DANGER! Failure to obey this instruction will cause death or serious injury.

Hazard of carbon monoxide poisoning

- Never use a fuel-burning appliance such as barbecues or gas heaters inside the awning tent. The burning process produces carbon monoxide which accumulates inside the awning tent as there is no flue.



WARNING! Failure to obey these warnings could result in death or serious injury.

Fire hazard

- Keep all flame and heat sources away from this tent fabric.
- Ensure you know the fire precaution arrangements on the site.
- Do not cook inside the awning tent or use open flames.

Beware of suffocation

- Ensure ventilation openings are open all the time to avoid suffocation.



CAUTION! Failure to obey these cautions could result in minor or moderate injury.

Risk of injury

- This device is not intended for use by persons (including children) with reduced physical, sensory or mental capabilities, or lack of experience and knowledge, unless they have been given supervision or instruction concerning use of the device by a person responsible for their safety.

- Do not allow children to play around the awning tent and ensure that suitable protective footwear is worn. Guy lines are a trip hazard and pegs can be sharp.
- Cleaning and user maintenance shall not be made by children without supervision.
- Keep passage ways clear.

Scope of delivery

Component	Quantity
Awning tent	1
Front panel	2
Side panel	2
Cotton curtain set	1
Gale 12 V pump	1
PVC draught skirt	1
Storm straps	2
Peg pack	1
Carry bag	2
Installation and operating manual	1

Accessories

Available as accessories (not included in the scope of delivery):

Description	Ref.no.
Residence AIR Tall Annexe	9120002142
Continental Carpet Residence	
• Size 11, 12	9120002286
• Size 13, 14	9120002221
• Size 15, 16	9120002223
• Size 17, 18	9120002225
• Size 19	9120002287
Mesh Panel Residence	
• Size 11	9120002274
• Size 12	9120002275
• Size 13	9120002144
• Size 14	9120002145
• Size 15	9120002146
• Size 16	9120002147
• Size 17	9120002148
• Size 18	9120002149
• Size 19	9120002276
Footprint Residence	
• Size 11	9120002277
• Size 12	9120002278
• Size 13	9120002151
• Size 14	9120002152
• Size 15	9120002153
• Size 16	9120002154
• Size 17	9120002155
• Size 18	9120002156
• Size 19	9120002279

Description	Ref.no.
Veranda Pole	9120002264
Veranda Storm Footplate	9120002157

Intended use

This awning tent is suitable for:

- Caravans
- Light to moderate weather
- Touring
- Seasonal pitch

This awning tent is **not** suitable for:

- Very strong winds or snowfall
- Commercial use

This product is only suitable for the intended purpose and application in accordance with these instructions.

This manual provides information that is necessary for proper installation and/or operation of the product. Poor installation and/or improper operating or maintenance will result in unsatisfactory performance and a possible failure.

The manufacturer accepts no liability for any injury or damage to the product resulting from:

- Incorrect assembly or connection, including excess voltage
- Incorrect maintenance or use of spare parts other than original spare parts provided by the manufacturer
- Alterations to the product without express permission from the manufacturer
- Use for purposes other than those described in this manual

Dometic reserves the right to change product appearance and product specifications.

Using the awning tent



CAUTION! Risk of injury and material damage

Never open the zipper on the protective sleeve while an air pole is inflated. This will result in the air pole bursting.

Before first use

Familiarize yourself with the product by carrying out a test set up before the product is used for the first time. Check if the scope of delivery is complete.

Choosing a site

Choose a flat site that is protected from wind:

1. If necessary, use a windbreak.
2. Choose a shaded site to avoid UV degradation of the fabric.
3. Avoid pitching under trees as falling branches, resin, etc. can damage the product.
4. Clear the site of sharp stones and debris to avoid damaging the groundsheet.
5. Set up the product with the doors facing away from the wind.

Setting up the awning tent



CAUTION! Risk of injury and material damage

- Do not use any type of compressor designed to inflate car tires.
- Only inflate the air poles into the green zone of the pressure gauge of the supplied hand pump (10 psi/0.69 bar).



NOTICE! Material damage

- Do not open or close the zippers by force.
- If a wind-out awning is used to attach the awning tent, support the wind-out awning while working to avoid putting too much stress on it. After attaching the awning tent, rewind the wind-out awning fully back into its housing.



NOTE

- The awning tent comes with heavy duty pegs. These will be suitable for many sites but for some types of ground special pegs will be needed. Ask your dealer.
- Drive the pegs at a 45° angle away from the awning tent into the ground.
- Peg each guy line in-line with the seam it starts from.

Keep the following tips in mind while setting up the awning tent:

- The figures provide a general overview of the set-up. The actual set-up will vary slightly based on the model of awning tent.
- Get help. The set-up is easier with more people.
- After standing the awning tent upright, check the corner pegs and re-peg if necessary. The groundsheet on the inside should be taut and in a rectangular shape.
- Peg the guy lines so that the awning tent is under tension without distorting the shape.
- If available, attach the storm straps.
- Check the guy lines from time to time to ensure adequate tension, if necessary use the runners to adjust.

Set up the awning tent as follows:

1. To protect the awning tent from dirt and damage, lay down a groundsheet or footprint before unpacking.
2. Unpack the awning tent.
3. Separate and identify the different components.
4. Proceed as shown to set up the awning tent (fig. 2, page 3 – fig. 17, page 7).

Dismantling the awning tent



NOTICE! Damage hazard

Do not use force when dismantling the awning tent. Otherwise you might damage any material.

1. Remove any dirt on the outside.
2. Close all window blinds or remove curtains.
3. Close all doors and openings.
4. If installed, push the canopy pole out of the sleeve, do not pull.
5. Remove all lines and straps.
6. Remove all pegs between the corner pegs.
7. Open the valves on each pole.
8. Wait until most of the air has been expelled.
9. Remove the four corner pegs.
10. Fold/roll the awning tent towards the valves to expel more air.
11. When deflated, roll the awning tent to fit into the carry bag.
12. Ensure that all parts are clean before packing them into the carry bag.
13. If the awning tent is wet or damp, dry fully as soon as possible.

Cleaning and maintenance



NOTICE! Damage hazard

- Do not use sharp or hard objects or cleaning agents for cleaning.
- Do not use alcohol based materials, chemicals, soap and detergents for cleaning.
- Remove bird droppings and tree resin as soon as possible to avoid permanent damage to the material.

1. If necessary, clean the product with clean water and a soft brush.
2. Apply impregnation against water and UV radiation before each trip.

Storing the awning tent



NOTE

- Fully set up the awning tent for cleaning.
- Choose a sunny day for cleaning to ensure the material will dry thoroughly.

1. Clean the awning tent.
2. Air fully and ensure the awning tent is totally dry before packing away.
3. Store in a well ventilated dry place.

Using the Veranda poles (optional)

The length of the veranda poles (accessories) is fully adjustable with the twist locks. The poles can be used for the following applications:

- The poles can give extra strength to the awning tent during heavy weather conditions. The awning tent has five positions for the mounting of the poles.
- The poles can be mounted across the two door openings to provide a drying rail.
- The doors and windows can be rolled over the poles forming an opening for better air circulation in nice weather.

Troubleshooting



NOTE

- During first exposure to water there may be some moisture at the seams. Through this moisture the threads will swell and fill the holes that are created in the sewing process.
- A fully equipped spare parts kit should include:
 - Waterproofer
 - Repair tape and repair solution
 - Silicone spray for the zippers
 - Spare pegs

Problem	Solution
Awning tent only inflates with difficulties	<ul style="list-style-type: none"> ▶ Check that the valve is fully screwed into the air pole. ▶ Check if the inflation tube is twisted at the valve. This may be indicated by noise. Untwist the inflation tube. ▶ Check that the hand pump is working.
Part of the awning tent does not inflate or deflate	<ul style="list-style-type: none"> ▶ Check that all isolation valves that connect the air poles are open.
Air poles are kinked	<ul style="list-style-type: none"> ▶ Add more air (10 psi/0.69 bar).
Air leak	<ul style="list-style-type: none"> ▶ Check that the valve is fully screwed into the air pole and the ring seal is in place. ▶ Check that the cap of the valve is done up tightly. ▶ Check for punctures, see chapter "Repairing a puncture in the air pole" on page 10.

Problem	Solution
Water leak	<ul style="list-style-type: none"> ▶ Check for leaky seams, damaged tapings and moist areas. ▶ If you cannot find any leaks, see chapter "Condensation" on page 10. ▶ If you find any leaks, apply seam sealant.
Rip in the fabric	<ul style="list-style-type: none"> ▶ Use repair tape to seal the fabric. ▶ Have repairs carried out by an authorized specialist.

Condensation

All awning tents suffer from internal condensation if one or more of the following conditions apply:

- High air humidity
- High ground moisture
- A drop in temperature

Severe condensation can run down the inside of the roof and drip off ties, tapes and other internal fittings and can be mistaken for leaking.

- ▶ Increase ventilation by opening doors and/or windows.
- ▶ Install a waterproof groundsheet.

Repairing a puncture in the air pole

If the air pole loses air, proceed as follows:

1. Unzip the outer sleeve holding the air pole.
 2. If installed, close isolation valves.
 3. Remove the air pole.
 4. Deflate the air pole.
 5. Unzip the protective sleeve to expose the inflatable tube.
 6. Blow some air into the inflatable tube.
 7. Submerge the tube in water.
 8. Locate the puncture.
 9. Use repair tape and repair solution to seal the hole.
 10. Zip the inflatable tube back into the protective sleeve.
 11. Zip the air pole back into the outer sleeve.
- ▶ Also observe the information given in fig. 18, page 7.

Disposal



- ▶ Place the packaging material in the appropriate recycling waste bins wherever possible.
- ▶ Consult a local recycling center or specialist dealer for details about how to dispose of the product in accordance with the applicable disposal regulations.

Warranty

The statutory warranty period applies. If the product is defective, please contact your retailer or the manufacturer's branch in your country (see dometic.com/dealer).

For repair and warranty processing, please include the following documents when you send in the product:

- A copy of the receipt with purchasing date
- A reason for the claim or description of the fault

Note that self-repair or non-professional repair can have safety consequences and might void the warranty.

The warranty covers manufacturing defects, materials and parts. The warranty does not cover fading of the cover and wear and tear due to UV radiation, misuse, accidental damage, storm damage, or permanent, semi-permanent or commercial use. It does not cover any resulting damage. Please contact your dealer for claims. This does not affect your statutory rights.

Technical data

	Size 11	Size 12	Size 13	Size 14	Size 15	Size 16	Size 17	Size 18	Size 19
Dimensions	see fig. 1 , page 3								
Connection height	2350 – 2500 mm								
Gross weight (box 1 and 2)	38.7 kg/ 15.2 kg	39.2 kg/ 15.2 kg	39.5 kg/ 16.5 kg	40.1 kg/ 16.5 kg	43.1 kg/ 17.0 kg	43.7 kg/ 17.0 kg	46.0 kg/ 18.0 kg	46.8 kg / 18.0 kg	47.0 kg/ 18.2 kg
Net weight	35.3 kg/ 13.5 kg	35.8 kg/ 13.5 kg	36.2 kg/ 14.8 kg	36.7 kg/ 14.8 kg	40.0 kg/ 15.3 kg	40.5 kg/ 15.3 kg	42.8 kg/ 16.0 kg	43.4 kg/ 16.0 kg	43.4 kg/ 16.7 kg

Lesen und befolgen Sie bitte alle Anweisungen, Richtlinien und Warnhinweise in diesem Produkthandbuch sorgfältig, um sicherzustellen, dass Sie das Produkt ordnungsgemäß installieren und stets ordnungsgemäß betreiben und warten. Diese Anleitung MUSS bei dem Produkt verbleiben.

Durch die Verwendung des Produktes bestätigen Sie hiermit, dass Sie alle Anweisungen, Richtlinien und Warnhinweise sorgfältig gelesen haben und dass Sie die hierin dargelegten Bestimmungen verstanden haben und ihnen zustimmen. Sie erklären sich damit einverstanden, dieses Produkt nur für den angegebenen Verwendungszweck und gemäß den Anweisungen, Richtlinien und Warnhinweisen dieses Produkthandbuchs sowie gemäß allen geltenden Gesetzen und Vorschriften zu verwenden. Eine Nichtbeachtung der hierin enthaltenen Anweisungen und Warnhinweise kann zu einer Verletzung Ihrer selbst und anderer Personen, zu Schäden an Ihrem Produkt oder zu Schäden an anderem Eigentum in der Umgebung führen. Dieses Produkthandbuch, einschließlich der Anweisungen, Richtlinien und Warnhinweise, sowie die zugehörige Dokumentation können Änderungen und Aktualisierungen unterliegen. Aktuelle Produktinformationen finden Sie unter [documents.dometic.com](https://www.dometic.com), [dometic.com](https://www.dometic.com).



Das Video „How To Set Up Your Caravan Awning“ (Anleitung zum Aufbau des Vorzeltes für Wohnwagen) finden Sie unter https://www.youtube.com/watch?v=hokC_gmD0IQ

Erläuterung der Symbole



GEFAHR!

Sicherheitshinweis: Kennzeichnet eine Gefahrensituation, die zum Tod oder schwerer Verletzung führt, wenn die jeweiligen Anweisungen nicht befolgt werden.



WARNUNG!

Sicherheitshinweis: Kennzeichnet eine Gefahrensituation, die zum Tod oder schwerer Verletzung führen könnte, wenn die jeweiligen Anweisungen nicht befolgt werden.



VORSICHT!

Sicherheitshinweis: Kennzeichnet eine Gefahrensituation, die zu geringer oder mittelschwerer Verletzung führen könnte, wenn die jeweiligen Anweisungen nicht befolgt werden.



ACHTUNG!

Kennzeichnet eine Situation, die zu Sachschäden führen kann, wenn die jeweiligen Anweisungen nicht befolgt werden.



HINWEIS

Ergänzende Informationen zur Bedienung des Produktes.

Sicherheitshinweise



GEFAHR! Nichtbeachtung dieses Hinweises führt zu Tod oder schwerer Verletzung.

Gefahr einer Kohlenmonoxidvergiftung

- Verwenden Sie im Inneren des Vorzeltes niemals ein mit Brennstoff betriebenes Gerät wie Grillgeräte oder Gasheizungen. Bei der Verbrennung entsteht Kohlenmonoxid, das sich im Inneren des Vorzeltes ansammelt, da es keinen Abzug gibt.



WARNUNG! Nichtbeachtung dieser Warnungen kann zum Tod oder schwerer Verletzung führen.

Brandgefahr

- Halten Sie offene Flammen und Wärmequellen vom Zeltuch fern.
- Machen Sie sich mit den Brandschutzmaßnahmen vor Ort vertraut.
- Kochen Sie nicht im Vorzelt und verwenden Sie keine offenen Flammen.

Erstickungsgefahr

- Stellen Sie sicher, dass die Belüftungsöffnungen jederzeit geöffnet sind, um Ersticken zu verhindern.



VORSICHT! Nichtbeachtung dieser Hinweise kann zu leichten bis mittelschweren Verletzungen führen. Verletzungsgefahr

- Dieses Produkt ist nicht für die Benutzung durch Personen (inkl. Kindern) mit eingeschränkten physischen, sensorischen oder mentalen Fähigkeiten oder fehlender Erfahrung und Kenntnis geeignet, es sei denn, diese werden durch eine für ihre Sicherheit verantwortliche Person beaufsichtigt oder wurden hinsichtlich der Benutzung des Produkts eingewiesen.
- Erlauben Sie Kindern nicht, in der Nähe des Vorzeltes zu spielen und vergewissern Sie sich, dass passende Schutzschuhe getragen werden. Abspannschnüre stellen eine Stolpergefahr dar und Heringe können spitz sein.
- Reinigung und Pflege dürfen nicht von Kindern ohne Beaufsichtigung durchgeführt werden.
- Halten Sie Durchgänge frei.

Lieferumfang

Komponente	Anzahl
Vorzelt	1
Frontblende	2
Seitenteil	2
Vorhang-Set aus Baumwolle	1
Gale 12-V-Pumpe	1
Bodenschürze aus PVC	1
Sturmverspannung	2
Packung Heringe	1
Tragetasche	2
Montage- und Bedienungsanleitung	1

Zubehör

Als Zubehör erhältlich (nicht im Lieferumfang enthalten):

Beschreibung	Art.-Nr.
Residence AIR Hoher Anbau	9120002142
Teppich Continental Residence	
• Größe 11, 12	9120002286
• Größe 13, 14	9120002221
• Größe 15, 16	9120002223
• Größe 17, 18	9120002225
• Größe 19	9120002287
Netzeinsatz Residence	
• Größe 11	9120002274
• Größe 12	9120002275
• Größe 13	9120002144
• Größe 14	9120002145
• Größe 15	9120002146
• Größe 16	9120002147
• Größe 17	9120002148
• Größe 18	9120002149
• Größe 19	9120002276
Stellfläche Residence	
• Größe 11	9120002277

Beschreibung	Art.-Nr.
• Größe 12	9120002278
• Größe 13	9120002151
• Größe 14	9120002152
• Größe 15	9120002153
• Größe 16	9120002154
• Größe 17	9120002155
• Größe 18	9120002156
• Größe 19	9120002279
Veranda-Stange	9120002264
Fußplatte für Veranda-Sturmstange	9120002157

Bestimmungsgemäßer Gebrauch

Dieses Vorzelt ist geeignet für:

- Wohnwagen
- milde bis mäßige Wetterbedingungen
- Reisetouren
- einen Saisonplatz

Dieses Vorzelt ist **nicht** geeignet für:

- sehr starken Wind oder Schneefall
- eine kommerzielle Nutzung

Dieses Produkt ist nur für den angegebenen Verwendungszweck und die Anwendung gemäß dieser Anleitung geeignet.

Dieses Handbuch enthält Informationen, die für die ordnungsgemäße Installation und/oder den ordnungsgemäßen Betrieb des Produkts erforderlich sind. Installationsfehler und/oder ein nicht ordnungsgemäßer Betrieb oder eine nicht ordnungsgemäße Wartung haben eine unzureichende Leistung und u. U. einen Ausfall des Geräts zur Folge.

Der Hersteller übernimmt keine Haftung für Verletzungen oder Schäden am Produkt, die durch Folgendes entstehen:

- unsachgemäße Montage oder falscher Anschluss, einschließlich Überspannung
- unsachgemäße Wartung oder Verwendung von anderen als den vom Hersteller gelieferten Original-Ersatzteilen
- Veränderungen am Produkt ohne ausdrückliche Genehmigung des Herstellers
- Verwendung für andere als die in der Anleitung beschriebenen Zwecke

Dometic behält sich das Recht vor, das Erscheinungsbild des Produkts und dessen technische Daten zu ändern.

Vorzelt verwenden



VORSICHT! Gefahr von Verletzungen und Sachschäden

Öffnen Sie niemals den Reißverschluss der Schutzhülle, während ein AirPole aufgepumpt ist. Dies führt dazu, dass der AirPole platzt.

Vor dem ersten Gebrauch

Machen Sie sich mit dem Produkt vertraut, indem Sie einen Testaufbau durchführen, bevor Sie das Produkt zum ersten Mal verwenden. Prüfen Sie, ob die Lieferung vollständig ist.

Auswahl des Standorts

Wählen Sie einen ebenen Standort, der vor Wind geschützt ist:

1. Verwenden Sie gegebenenfalls einen Windschutz.

2. Wählen Sie einen schattigen Standort, um Schäden am Gewebe durch UV-Strahlung zu vermeiden.
3. Vermeiden Sie das Aufstellen unter Bäumen, da herabfallende Äste, Harz usw. das Produkt beschädigen können.
4. Entfernen Sie scharfe Steine und Unrat vom Standort, um eine Beschädigung der Bodenplane zu vermeiden.
5. Bauen Sie das Produkt so auf, dass die Türen sich auf der vom Wind abgewandten Seite befinden.

Vorzelt aufbauen



VORSICHT! Gefahr von Verletzungen und Sachschäden

- Verwenden Sie keine Kompressoren, die zum Aufpumpen von Autoreifen bestimmt sind.
- Pumpen Sie die AirPoles nur im grünen Bereich des Manometers der mitgelieferten Handpumpe auf (10 psi/0,69 bar).



ACHTUNG! Materialschaden

- Öffnen oder schließen Sie die Reißverschlüsse nicht mit Gewalt.
- Wenn eine ausziehbare Markise zur Befestigung des Vorzeltes verwendet wird, stützen Sie die ausziehbare Markise während der Arbeit ab, um sie nicht zu stark zu belasten. Nach dem Befestigen des Vorzeltes, kurbeln Sie die ausziehbare Markise komplett zurück in das Gehäuse.



HINWEIS

- Das Vorzelt wird mit Schwerlast-Heringen geliefert. Diese sind für viele Standorte geeignet. Bei manchen Böden sind jedoch Spezialheringe erforderlich. Fragen Sie Ihren Händler.
- Schlagen Sie die Heringe in einem Winkel von 45° vom Vorzelt weg in den Boden ein.
- Richten Sie die Abspannschnüre an der Naht aus, von der sie ausgehen.

Beachten Sie beim Aufbau des Vorzeltes die folgenden Tipps:

- Die Abbildungen geben einen allgemeinen Überblick über den Aufbau. Der tatsächliche Aufbau kann je nach Vorzeltmodell leicht variieren.
- Holen Sie sich Unterstützung. Mit mehr Personen ist der Aufbau einfacher.
- Nachdem Sie das Vorzelt aufgerichtet haben, überprüfen Sie die Heringe an den Ecken und setzen Sie sie gegebenenfalls neu ein. Die Bodenplane im Innenraum sollte straff und in rechteckiger Form ausgelegt sein.
- Verankern Sie die Abspannschnüre so, dass das Vorzelt gespannt ist, ohne dass es sich verformt.
- Falls vorhanden, befestigen Sie die Sturmverspannung.
- Überprüfen Sie von Zeit zu Zeit die Abspannschnüre auf ausreichende Spannung und ziehen Sie sie bei Bedarf mithilfe der Spanner nach.

Stellen Sie das Vorzelt wie folgt auf:

1. Um das Vorzelt vor Schmutz und Beschädigungen zu schützen, legen Sie vor dem Auspacken eine Bodenplane oder Unterlage aus.
2. Packen Sie das Vorzelt aus.
3. Sortieren und bestimmen Sie die verschiedenen Komponenten.
4. Gehen Sie wie gezeigt vor, um das Vorzelt aufzubauen (Abb. **2**, Seite 3 bis Abb. **17**, Seite 7).

Vorzelt abbauen



ACHTUNG! Beschädigungsgefahr

Wenden Sie beim Abbau des Vorzeltes keine Gewalt an. Andernfalls könnten Sie Teile beschädigen.

1. Entfernen Sie Schmutz von der Außenseite.
2. Schließen Sie alle Fensterrollen und entfernen Sie Vorhänge.
3. Schließen Sie alle Türen und Öffnungen.
4. Falls vorhanden, schieben Sie die Baldachin-Stange aus der Hülse, ziehen Sie nicht daran.
5. Entfernen Sie alle Schnüre und Gurte.
6. Entfernen Sie alle Heringe zwischen den Heringen an den Ecken.
7. Öffnen Sie die Ventile an jedem AirPole.
8. Warten Sie, bis der Großteil der Luft entwichen ist.
9. Entfernen Sie die vier Heringe an den Ecken.
10. Falten bzw. rollen Sie das Vorzelt zu den Ventilen hin, um mehr Luft abzuführen.
11. Wenn die Luft abgelassen ist, rollen Sie das Vorzelt so auf, dass es in die Tragetasche passt.
12. Stellen Sie sicher, dass alle Teile sauber sind, bevor Sie sie in die Tragetasche packen.
13. Wenn das Vorzelt nass oder feucht ist, lassen Sie es so bald wie möglich vollständig trocknen.

Reinigung und Pflege



ACHTUNG! Beschädigungsgefahr

- Verwenden Sie zur Reinigung keine scharfen oder harten Gegenstände oder Reinigungsmittel.
- Verwenden Sie zur Reinigung keine Materialien auf Alkohobasis, Chemikalien, Seife und Reinigungsmittel.
- Entfernen Sie Vogelkot und Baumharz so schnell wie möglich, um dauerhafte Schäden am Material zu vermeiden.

1. Reinigen Sie das Produkt bei Bedarf mit sauberem Wasser und einer weichen Bürste.
2. Tragen Sie vor jeder Reise eine Imprägnierung gegen Wasser und UV-Strahlung auf.

Vorzelt lagern



HINWEIS

- Bauen Sie das Vorzelt zur Reinigung vollständig auf.
- Wählen Sie einen sonnigen Tag für die Reinigung, um sicherzustellen, dass das Material gründlich trocknet.

1. Reinigen Sie das Vorzelt.
2. Lüften Sie das Vorzelt gründlich und vergewissern Sie sich vor dem Verpacken, dass es komplett trocken ist.
3. Lagern Sie es an einem gut belüfteten, trockenen Ort.

Veranda-Stangen verwenden (optional)

Die Länge der Veranda-Stangen (Zubehör) ist vollständig mit den Drehverriegelungen einstellbar. Die Stangen sind für folgende Anwendungen geeignet:

- Die Stangen verleihen dem Vorzelt bei schweren Wetterbedingungen zusätzliche Stabilität. Die Stangen können in fünf Positionen am Vorzelt angebracht werden.
- Die Stangen können über den zwei Türöffnungen angebracht werden, um eine Wäscheleine bereitzustellen.

- Die Türen und Fenster können über die Stangen gerollt werden, um bei schönem Wetter eine Öffnung für bessere Luftzirkulation bereitzustellen.

Fehlersuche und Fehlerbehebung



HINWEIS

- Beim ersten Kontakt mit Wasser kann sich an den Nähten etwas Feuchtigkeit bilden. Durch diese Feuchtigkeit quellen die Fäden auf und füllen die Löcher, die beim Nähen entstehen.
- Ein vollständig ausgestattetes Ersatzteilset enthält:
 - Imprägniermittel
 - Reparaturband und Reparaturlösung
 - Silikonspray für die Reißverschlüsse
 - Ersatzheringe

Problem	Lösung
Das Vorzelt lässt sich nur schwer aufpumpen	<ul style="list-style-type: none"> ▶ Überprüfen Sie, ob das Ventil vollständig in den Air-Pole eingeschraubt ist. ▶ Überprüfen Sie, ob der Luftschlauch am Ventil verdreht ist. Ein Geräusch kann darauf hinweisen. Drehen Sie den Luftschlauch in die richtige Position. ▶ Überprüfen Sie, ob die Handpumpe funktioniert.
Ein Teil des Vorzeltes lässt sich nicht aufblasen oder entleert sich nicht	<ul style="list-style-type: none"> ▶ Überprüfen Sie, ob alle Absperrventile, die die Air-Poles verbinden, geöffnet sind.
Die AirPoles sind geknickt	<ul style="list-style-type: none"> ▶ Pumpen Sie mehr Luft ein (10 psi/0,69 bar).
Luft entweicht	<ul style="list-style-type: none"> ▶ Überprüfen Sie, ob das Ventil vollständig in den Air-Pole eingeschraubt ist und die Ringdichtung richtig sitzt. ▶ Überprüfen Sie, ob die Ventilkappe fest zuge dreht ist. ▶ Prüfen Sie, ob Löcher vorhanden sind, siehe Kapitel „Reparatur eines Lochs im AirPole“ auf Seite 15.
Wasserleck	<ul style="list-style-type: none"> ▶ Prüfen Sie das Vorzelt auf undichte Nähte, beschädigte Anschlüsse und feuchte Bereiche. ▶ Wenn Sie keine undichten Stellen finden, siehe Kapitel „Kondenswasserbildung“ auf Seite 14. ▶ Wenn Sie eine undichte Stelle finden, tragen Sie Nahtdichtungsmittel auf.
Riss im Gewebe	<ul style="list-style-type: none"> ▶ Reparieren Sie das Loch mit Reparaturband. ▶ Lassen Sie Reparaturen von autorisiertem Fachpersonal durchführen.

Kondenswasserbildung

Bei allen Vorzelten bildet sich Kondenswasser im Innenraum, wenn eine oder mehrere der folgenden Bedingungen zutreffen:

- Hohe Luftfeuchtigkeit
- Hohe Bodenfeuchtigkeit
- Ein Abfall der Temperatur

Bei starker Kondenswasserbildung kann dieses an der Innenseite des Daches herunterlaufen und von Schnüren, Bändern und anderen Innenelementen herunter tropfen; dies kann mit einer undichten Stelle verwechselt werden.

- ▶ Sorgen Sie für eine bessere Belüftung durch Öffnen von Türen und/oder Fenstern.
- ▶ Legen Sie eine wasserdichte Bodenplane aus.

Reparatur eines Lochs im AirPole

Wenn der AirPole Luft verliert, gehen Sie wie folgt vor:

1. Öffnen Sie den Reißverschluss der Außenhülle und halten Sie den AirPole dabei fest.
 2. Schließen Sie die Absperrventile, falls vorhanden.
 3. Entnehmen Sie den AirPole.
 4. Lassen Sie die Luft aus dem AirPole ab.
 5. Öffnen Sie den Reißverschluss der Schutzhülle, um den Luftschlauch freizulegen.
 6. Pumpen Sie etwas Luft in den Luftschlauch.
 7. Tauchen Sie den Luftschlauch in Wasser ein.
 8. Suchen Sie das Loch.
 9. Dichten Sie das Loch mit Reparaturband und Reparaturlösung ab.
 10. Setzen Sie den Luftschlauch wieder in die Schutzhülle ein und schließen Sie den Reißverschluss.
 11. Setzen Sie den AirPole wieder in die Außenhülle ein und schließen Sie den Reißverschluss.
- Beachten Sie auch die Informationen in Abb. **18**, Seite 7.

Entsorgung



- Geben Sie das Verpackungsmaterial möglichst in den entsprechenden Recycling-Müll.
- Wenden Sie sich an ein örtliches Recyclingzentrum oder einen Fachhändler, um zu erfahren, wie Sie das Produkt gemäß den geltenden Entsorgungsvorschriften entsorgen können.

Garantie

Es gilt die gesetzliche Gewährleistungsfrist. Sollte das Produkt defekt sein, wenden Sie sich bitte an Ihren Fachhändler oder die Niederlassung des Herstellers in Ihrem Land (siehe dometic.com/dealer).

Bitte senden Sie bei einem Reparatur- bzw. Gewährleistungsantrag folgende Unterlagen mit dem Produkt ein:

- eine Kopie der Rechnung mit Kaufdatum
- einen Reklamationsgrund oder eine Fehlerbeschreibung

Bitte beachten Sie, dass eigenständig oder nicht fachgerecht durchgeführte Reparaturen die Sicherheit gefährden und zum Erlöschen der Garantie führen können.

Die Gewährleistung deckt Herstellungsfehler, Materialien und Teile ab. Die Gewährleistung erstreckt sich nicht auf das Ausbleichen des Bezugs und die Abnutzung durch UV-Strahlung, fehlerhafte Verwendung, versehentliche Beschädigung, Sturmschäden, eine Nutzung auf Dauer- und Saisonstellplätzen oder eine kommerzielle Nutzung. Sie deckt keine daraus resultierenden Schäden ab. Bitte wenden Sie sich an Ihren Händler, um Ansprüche geltend zu machen. Dies beeinflusst nicht Ihre gesetzlichen Rechte.

Technische Daten

	Größe 11	Größe 12	Größe 13	Größe 14	Größe 15	Größe 16	Größe 17	Größe 18	Größe 19
Abmessungen	siehe Abb. 1 , Seite 3								
Kederhöhe	2350 – 2500 mm								
Bruttogewicht (Karton 1 und 2)	38,7 kg/ 15,2 kg	39,2 kg/ 15,2 kg	39,5 kg/ 16,5 kg	40,1 kg/ 16,5 kg	43,1 kg/ 17,0 kg	43,7 kg/ 17,0 kg	46,0 kg/ 18,0 kg	46,8 kg/ 18,0 kg	47,0 kg/ 18,2 kg
Nettogewicht	35,3 kg/ 13,5 kg	35,8 kg/ 13,5 kg	36,2 kg/ 14,8 kg	36,7 kg/ 14,8 kg	40,0 kg/ 15,3 kg	40,5 kg/ 15,3 kg	42,8 kg/ 16,0 kg	43,4 kg/ 16,0 kg	43,4 kg/ 16,7 kg

Veillez lire et suivre attentivement l'ensemble des instructions, directives et avertissements figurant dans ce manuel afin d'installer, d'utiliser et d'entretenir le produit correctement à tout moment. Ces instructions DOIVENT rester avec le produit.

En utilisant ce produit, vous confirmez expressément avoir lu attentivement l'ensemble des instructions, directives et avertissements et que vous comprenez et acceptez de respecter les modalités et conditions énoncées dans le présent document. Vous acceptez d'utiliser ce produit uniquement pour l'usage et l'application prévus et conformément aux instructions, directives et avertissements figurant dans le présent manuel, ainsi qu'à toutes les lois et réglementations applicables. En cas de non-respect des instructions et avertissements figurant dans ce manuel, vous risquez de vous blesser ou de blesser d'autres personnes, d'endommager votre produit ou d'endommager d'autres biens à proximité. Le présent manuel produit, y compris les instructions, directives et avertissements, ainsi que la documentation associée peuvent faire l'objet de modifications et de mises à jour. Pour obtenir des informations actualisées sur le produit, veuillez consulter le site documents.dometic.com, dometic.com.



Recherchez la vidéo « How To Set Up Your Caravan Awning » (Comment installer votre auvent de caravane) sur https://www.youtube.com/watch?v=hokC_gmDOIQ

Signification des symboles



DANGER !

Consignes de sécurité : indiquent une situation dangereuse qui, si elle n'est pas évitée, entraînera des blessures graves, voire mortelles.



AVERTISSEMENT !

Consignes de sécurité : indiquent une situation dangereuse qui, si elle n'est pas évitée, est susceptible d'entraîner des blessures graves, voire mortelles.



ATTENTION !

Consignes de sécurité : indiquent une situation dangereuse qui, si elle n'est pas évitée, est susceptible d'entraîner des blessures légères ou de gravité modérée.



AVIS !

indiquent une situation dangereuse qui, si elle n'est pas évitée, peut entraîner des dommages matériels.



REMARQUE

Informations complémentaires sur l'utilisation de ce produit.

Consignes de sécurité



DANGER ! Le non-respect des présentes instructions peut entraîner des blessures graves, voire mortelles. Risque d'empoisonnement au monoxyde de carbone

- N'utilisez jamais un appareil à combustible comme un barbecue ou un chauffage au gaz à l'intérieur de l'auvent. Le processus de combustion produit du monoxyde de carbone qui s'accumule à l'intérieur de l'auvent car il n'y a pas de conduit de fumée.



AVERTISSEMENT ! Le non-respect de ces mises en garde peut entraîner des blessures graves, voire mortelles.

Risque d'incendie

- Tenez ce tissu de tente à l'écart de toute flamme ou source de chaleur.
- Assurez-vous de connaître les dispositions en matière de prévention des incendies sur le site.
- Ne cuisinez pas dans l'auvent et n'utilisez pas de flammes nues.

Risque d'étouffement

- Veillez à ce que les ouvertures de ventilation soient ouvertes en permanence pour éviter toute asphyxie.



ATTENTION ! Le non-respect de ces mises en garde peut entraîner des blessures légères ou de gravité modérée.

Risque de blessure

- Cet appareil ne doit pas être utilisé par des personnes (y compris les enfants) souffrant de déficiences physiques, sensorielles ou mentales ou manquant d'expérience ou de connaissances, sauf si une personne garante de leur sécurité les surveille ou leur fournit toutes les instructions adéquates concernant son utilisation.
- Ne laissez pas les enfants jouer autour de l'auvent et assurez-vous de porter des chaussures de protection. Les cordons d'ancrage présentent un risque de trébuchement et les piquets peuvent être coupants.
- Le nettoyage et la maintenance ne doivent pas être effectués par des enfants sans surveillance.
- Gardez les voies de passage libres.

Contenu de la livraison

Composant	Quantité
Auvent	1
Panneau avant	2
Panneau latéral	2
Jeu de rideaux en coton	1
Pompe Gale 12 V	1
Jupe anti-courants d'air en PVC	1
Sangles pour tempête	2
Sac de piquets	1
Housse de transport	2
Instructions de montage et d'utilisation	1

Accessoires

Disponibles comme accessoires (non compris dans la livraison) :

Description	N° d'article
Grande annexe Residence AIR	9120002142
Moquette Residence	
• Taille 11, 12	9120002286
• Taille 13, 14	9120002221
• Taille 15, 16	9120002223
• Taille 17, 18	9120002225
• Taille 19	9120002287
Panneau en maille Residence	
• Taille 11	9120002274
• Taille 12	9120002275
• Taille 13	9120002144
• Taille 14	9120002145
• Taille 15	9120002146
• Taille 16	9120002147
• Taille 17	9120002148
• Taille 18	9120002149
• Taille 19	9120002276
Revêtement de sol Residence	
• Taille 11	9120002277

Description	N° d'article
• Taille 12	9120002278
• Taille 13	9120002151
• Taille 14	9120002152
• Taille 15	9120002153
• Taille 16	9120002154
• Taille 17	9120002155
• Taille 18	9120002156
• Taille 19	9120002279
Piquet Veranda	9120002264
Embase anti-tempête Veranda	9120002157

Usage conforme

Cet auvent est adapté à ce qui suit :

- Caravanes
- Intempéries légères à modérées
- Excursions
- Emplacement saisonnier

Cet auvent n'est **pas** adapté à ce qui suit :

- Vents très forts ou chutes de neige
- Usage commercial

Ce produit convient uniquement à l'usage et à l'application prévus, conformément au présent manuel d'instructions.

Ce manuel fournit les informations nécessaires à l'installation et/ou à l'utilisation correcte du produit. Une installation, une utilisation ou un entretien inappropriés entraînera des performances insatisfaisantes et une éventuelle défaillance.

Le fabricant décline toute responsabilité en cas de blessure ou de dommage résultant :

- d'un montage ou d'un raccordement incorrect, y compris d'une surtension
- d'un entretien inadapté ou de l'utilisation de pièces de rechange autres que les pièces de rechange d'origine fournies par le fabricant
- de modifications apportées au produit sans autorisation explicite du fabricant
- d'usages différents de ceux décrits dans ce manuel.

Dometic se réserve le droit de modifier l'apparence et les spécifications produit.

Utilisation de l'auvent



ATTENTION ! Risque de blessure et de dommage matériel

N'ouvrez jamais la fermeture éclair de la housse de protection lorsqu'un tube d'air est gonflé. Cela entraînerait l'éclatement du tube d'air.

Avant la première utilisation

Familiarisez-vous avec le produit en effectuant un test de mise en place avant la première utilisation du produit. Vérifiez que le contenu de la livraison est complet.

Choix d'un emplacement

Choisissez un emplacement plat et protégé du vent :

1. Si nécessaire, utilisez un brise-vent.
2. Choisissez un emplacement ombragé pour éviter la dégradation du tissu par les UV.

3. Évitez les emplacements sous les arbres car la chute de branches, la résine, etc. peuvent endommager le produit.
4. Débarrassez l'emplacement des pierres et débris coupants pour éviter d'endommager le tapis de sol.
5. Installez le produit avec les portes orientées contre le vent.

Installation de l'auvent



ATTENTION ! Risque de blessure et de dommage matériel

- N'utilisez pas de compresseurs conçus pour gonfler les pneus de voiture.
- Ne gonflez les tubes d'air que dans la zone verte du manomètre de la pompe manuelle fournie (10 psi/0,69 bar).



AVIS ! Dommages matériels

- N'ouvrez pas et ne fermez pas les fermetures éclair par la force.
- Si vous utilisez un store extérieur déroulant pour fixer l'auvent, soutenez-le lors de l'installation pour éviter de le soumettre à une trop forte contrainte. Après avoir fixé l'auvent, enroulez complètement le store extérieur déroulant dans son logement.



REMARQUE

- L'auvent est fourni avec des piquets résistants. Ceux-ci conviennent pour de nombreux emplacements mais pour certains types de sols, des piquets spéciaux sont nécessaires. Consultez votre revendeur.
- Enfoncez les piquets dans le sol à un angle de 45° par rapport à l'auvent.
- Fixez chaque cordon d'ancrage en l'alignant sur la couture d'où il part.

Gardez les conseils suivants à l'esprit lorsque vous installez l'auvent :

- Les illustrations donnent un aperçu général de l'installation. L'installation effective varie légèrement en fonction du modèle d'auvent.
- Demandez de l'aide. L'installation est plus facile avec plusieurs personnes.
- Une fois l'auvent dressé, vérifiez les piquets d'angle et refixez-les si nécessaire. Le tapis de sol à l'intérieur doit être tendu et de forme rectangulaire.
- Attachez les cordons d'ancrage aux piquets, afin que l'auvent soit tendu sans se déformer.
- Si disponibles, fixez les sangles pour tempête.
- Vérifiez de temps en temps les cordons d'ancrage pour vous assurer qu'ils sont bien tendus ; si nécessaire, utilisez les rails de coulissement pour les ajuster.

Installez l'auvent comme suit :

1. Pour protéger l'auvent de la saleté et des dommages, posez un revêtement de sol avant de déballer.
2. Déballez l'auvent.
3. Séparez et identifiez les différents composants.
4. Procédez comme indiqué pour installer l'auvent (fig. **2**, page 3 – fig. **17**, page 7).

Démontage de l'auvent



AVIS ! Risque d'endommagement

Ne forcez pas lors du démontage de l'auvent. Sinon, vous risquez d'endommager le matériel.

1. Enlevez toute saleté à l'extérieur.
2. Fermez tous les stores de fenêtre ou enlevez les rideaux.
3. Fermez toutes les portes et ouvertures.
4. Le cas échéant, poussez le tube de toit hors du manchon, sans tirer.
5. Retirez toutes les lignes et sangles.
6. Retirez tous les piquets entre les piquets d'angle.
7. Ouvrez les valves sur chaque tube.
8. Attendez jusqu'à ce que presque tout l'air soit sorti.
9. Retirez les quatre piquets d'angle.
10. Pliez/roulez l'auvent vers les valves pour expulser plus d'air.
11. Une fois dégonflé, roulez l'auvent pour le faire rentrer dans le sac de transport.
12. Assurez-vous que toutes les pièces sont propres avant de les mettre dans le sac de transport.
13. Si l'auvent est mouillé ou humide, séchez-le complètement dès que possible.

Nettoyage et maintenance



AVIS ! Risque d'endommagement

- N'utilisez pas d'objets pointus ou durs ni de produits de nettoyage pour le nettoyage.
- N'utilisez pas de matériaux à base d'alcool, de produits chimiques, de savon et de détergents pour le nettoyage.
- Enlevez les fientes d'oiseaux et la résine des arbres dès que possible pour éviter d'endommager le matériau de façon permanente.

1. Si nécessaire, nettoyez le produit avec de l'eau propre et une brosse douce.
2. Appliquez un traitement contre l'eau et les rayons UV avant chaque voyage.

Stockage de l'auvent



REMARQUE

- Montez entièrement l'auvent pour le nettoyer.
- Choisissez une journée ensoleillée pour le nettoyage afin que le matériel sèche complètement.

1. Nettoyez l'auvent.
2. Aérez complètement l'auvent et assurez-vous qu'il est entièrement sec avant de l'emballer.
3. Conservez dans un lieu sec et bien ventilé.

Utilisation des piquets Veranda (en option)

La longueur des piquets Veranda (accessoires) est entièrement ajustable à l'aide de viroles. Les piquets peuvent être utilisés aux fins suivantes :

- Renforcer l'auvent en cas de conditions météo défavorables. L'auvent dispose de cinq positions pour le montage des piquets.
- Les piquets peuvent être montés à travers les deux ouvertures de porte pour faire office de séchoir.
- Les portes et fenêtres peuvent être enroulées sur les piquets pour offrir une meilleure ventilation par temps clair.

Dépannage



REMARQUE

- Lors de la première exposition à l'eau, il peut y avoir un peu d'humidité au niveau des coutures. Grâce à cette humidité, les fils vont gonfler et remplir les trous créés lors du processus de couture.
- Un kit de pièces de rechange entièrement équipé devrait contenir :
 - Produit d'imperméabilisation
 - Ruban de réparation et solution de réparation
 - Spray silicone pour les fermetures éclair
 - Piquets de rechange

Problème	Solution
L'auvent ne se gonfle qu'avec difficulté	<ul style="list-style-type: none">▶ Vérifiez que la valve est entièrement vissée dans le tube d'air.▶ Vérifiez si le tube de gonflage est tordu au niveau de la valve. Cela se remarque par un bruit. Redressez le tube de gonflage.▶ Vérifiez que la pompe manuelle fonctionne.
Une partie de l'auvent ne se gonfle ou dégonfle pas	<ul style="list-style-type: none">▶ Vérifiez que toutes les valves d'isolement qui relient les tubes d'air sont ouvertes.
Des tubes d'air sont tordus	<ul style="list-style-type: none">▶ Ajoutez de l'air (10 psi/0,69 bar).
Fuite d'air	<ul style="list-style-type: none">▶ Vérifiez que la valve est entièrement vissée dans le tube d'air et que le joint d'étanchéité est en place.▶ Vérifiez que le capuchon de la valve est bien serré.▶ Vérifiez s'il y a des perforations, voir chapitre « Réparation d'une perforation dans le tube d'air », page 18.
Fuite d'eau	<ul style="list-style-type: none">▶ Vérifiez si les coutures ne fuient pas, si les rubans ne sont pas endommagés et s'il n'y a pas de zones humides.▶ Si vous ne trouvez pas de fuites, consultez le chapitre « Condensation », page 18.▶ Si vous trouvez des fuites, appliquez un produit d'étanchéité pour les coutures.
Déchirure dans le tissu	<ul style="list-style-type: none">▶ Utilisez du ruban de réparation pour étanchéifier le tissu.▶ Faites effectuer les réparations par un spécialiste autorisé.

Condensation

Tous les auvents subissent des effets de condensation interne si une ou plusieurs des conditions suivantes s'appliquent :

- Humidité de l'air élevée
- Humidité du sol élevée
- Baisse de température

Une forte condensation peut s'écouler à l'intérieur du toit et s'égoutter des attaches, des rubans et autres accessoires internes et peut être confondue avec une fuite.

- ▶ Augmentez la ventilation en ouvrant les portes et/ou les fenêtres.
- ▶ Installez un tapis de sol étanche.

Réparation d'une perforation dans le tube d'air

Si le tube d'air perd de l'air, procédez comme suit :

1. Ouvrez la fermeture à glissière du manchon extérieur tenant le tube d'air.
2. Le cas échéant, fermez les valves d'isolement.
3. Retirez le tube d'air.
4. Dégonflez le tube d'air.

5. Ouvrez la fermeture éclair du manchon de protection pour dégager le tube gonflable.
 6. Soufflez de l'air dans le tube gonflable.
 7. Immergez le tube dans de l'eau.
 8. Trouvez la perforation.
 9. Utilisez du ruban de réparation et une solution de réparation pour sceller le trou.
 10. Refermez le tube gonflable dans le manchon de protection.
 11. Remplacez le tube d'air dans le manchon extérieur.
- Tenez également compte des informations fournies à la fig. 18, page 7.

Mise au rebut



- Dans la mesure du possible, jetez les emballages dans les conteneurs de déchets recyclables prévus à cet effet.
- Pour éliminer définitivement le produit, contactez le centre de recyclage le plus proche ou votre revendeur spécialisé afin de vous informer sur les dispositions relatives au retraitement des déchets.

Garantie

La période de garantie légale s'applique. Si le produit est défectueux, contactez votre revendeur ou la filiale locale du fabricant (voir dometic.com/dealer).

Pour toutes réparations ou autres prestations de garantie, veuillez joindre au produit les documents suivants :

- une copie de la facture avec la date d'achat
- un motif de réclamation ou une description du dysfonctionnement

Notez que toute réparation effectuée par une personne non agréée peut présenter un risque de sécurité et annuler la garantie.

La garantie couvre les défauts de fabrication, les matériaux et les pièces. La garantie ne couvre pas la décoloration de la couverture et l'usure et les déchirures dues aux rayons UV, à une mauvaise utilisation, les dommages accidentels, les dommages dus aux tempêtes ou à une utilisation permanente, semi-permanente ou commerciale. Elle ne couvre pas les dommages qui en résultent. Veuillez contacter votre revendeur pour toute réclamation. Ceci n'affecte pas vos droits statutaires.

Caractéristiques techniques

	Taille 11	Taille 12	Taille 13	Taille 14	Taille 15	Taille 16	Taille 17	Taille 18	Taille 19
Dimensions	voir fig. 1, page 3								
Hauteur de connexion	2350 – 2500 mm								
Poids brut (cartons 1 et 2)	38,7 kg/ 15,2 kg	39,2 kg/ 15,2 kg	39,5 kg/ 16,5 kg	40,1 kg/ 16,5 kg	43,1 kg/ 17,0 kg	43,7 kg/ 17,0 kg	46,0 kg/ 18,0 kg	46,8 kg/ 18,0 kg	47,0 kg/ 18,2 kg
Poids net	35,3 kg/ 13,5 kg	35,8 kg/ 13,5 kg	36,2 kg/ 14,8 kg	36,7 kg/ 14,8 kg	40,0 kg/ 15,3 kg	40,5 kg/ 15,3 kg	42,8 kg/ 16,0 kg	43,4 kg/ 16,0 kg	43,4 kg/ 16,7 kg

Lea atentamente estas instrucciones y siga las indicaciones, directrices y advertencias incluidas en este manual para asegurarse de que instala, usa y mantiene correctamente el producto en todo momento. Estas instrucciones DEBEN permanecer con este producto.

Al usar el producto, usted confirma que ha leído cuidadosamente todas las instrucciones, directrices y advertencias, y que entiende y acepta cumplir los términos y condiciones aquí establecidos. Usted se compromete a usar este producto solo para el propósito y la aplicación previstos y de acuerdo con las instrucciones, directrices y advertencias establecidas en este manual del producto, así como de acuerdo con todas las leyes y reglamentos aplicables. La no lectura e incumplimiento de las instrucciones y advertencias aquí expuestas puede causarles lesiones a usted o a terceros, daños en el producto o daños en otras propiedades cercanas. Este manual del producto, incluyendo las instrucciones, directrices y advertencias, y la documentación relacionada, pueden estar sujetos a cambios y actualizaciones. Para obtener información actualizada sobre el producto, visite la página documents.dometic.com, dometic.com.



Consulte el video "How To Set Up Your Caravan Awning" en https://www.youtube.com/watch?v=hokC_gmDOIQ

Explicación de los símbolos



¡PELIGRO!

Indicación de seguridad: Indica una situación peligrosa que, de no evitarse, ocasionará la muerte o lesiones graves.



¡ADVERTENCIA!

Indicación de seguridad: Indica una situación peligrosa que, de no evitarse, puede ocasionar la muerte o lesiones graves.



¡ATENCIÓN!

Indicación de seguridad: Indica una situación peligrosa que, de no evitarse, puede ocasionar lesiones moderadas o leves.



¡AVISO!

Indica una situación peligrosa que, de no evitarse, puede provocar daños materiales.



NOTA

Información complementaria para el manejo del producto.

Indicaciones de seguridad



¡PELIGRO! La no observación de estas normas puede causar heridas fatales o severas.

Peligro de intoxicación por monóxido de carbono

- No utilice nunca en el interior del avancé aparatos que quemem combustible, como barbacoas o calentadores de gas. El proceso de combustión produce monóxido de carbono que se acumula en el interior del avancé, ya que no hay chimenea.



¡ADVERTENCIA! El incumplimiento de estas advertencias podría acarrear la muerte o lesiones graves.

Peligro de incendio

- Mantenga cualquier fuente de calor o llama lejos del tejido de la tienda.
- Asegúrese de conocer las medidas de precaución contra incendios en el lugar.
- No cocine ni encienda fuego en el interior del avancé.

Peligro de asfixia

- Asegúrese de que las aberturas de ventilación estén abiertas todo el tiempo para evitar asfixias.



¡ATENCIÓN! El incumplimiento de estas precauciones podría acarrear lesiones moderadas o leves.

Peligro de lesiones

- Este aparato no está previsto para que lo usen personas (incluidos niños) con sus capacidades físicas, sensitivas o mentales limitadas o sin la experiencia y los conocimientos pertinentes, siempre y cuando no haya una persona responsable de la seguridad que supervise adecuadamente o explique detalladamente su uso.
- No permita que los niños jueguen alrededor del avancé y asegúrese de usar un calzado protector adecuado. Las cuerdas tensores y las piquetas afiladas pueden resultar peligrosas.
- Los niños solo podrán realizar las tareas de limpieza y mantenimiento bajo vigilancia.
- Mantenga las vías de paso libres.

Volumen de entrega

Componente	Cantidad
Avancé	1
Panel frontal	2
Panel lateral	2
Juego de cortinas de algodón	1
Bomba Gale de 12 V	1
Faldón anticorrientes de PVC	1
Correas antitormenta	2
Paquete de piquetas	1
Bolsa de transporte	2
Instrucciones de montaje y uso	1

Accesorios

Disponibles como artículos opcionales (no incluidos en el volumen de entrega):

Descripción	N.º de art.
Anexo alto Residence AIR	9120002142
Moqueta Continental Residence	
• Tamaño 11, 12	9120002286
• Tamaño 13, 14	9120002221
• Tamaño 15, 16	9120002223
• Tamaño 17, 18	9120002225
• Tamaño 19	9120002287
Panel de malla Residence	
• Tamaño 11	9120002274
• Tamaño 12	9120002275
• Tamaño 13	9120002144
• Tamaño 14	9120002145
• Tamaño 15	9120002146
• Tamaño 16	9120002147
• Tamaño 17	9120002148
• Tamaño 18	9120002149
• Tamaño 19	9120002276
Cubierta de suelo Residence	
• Tamaño 11	9120002277

Descripción	N.º de art.
• Tamaño 12	9120002278
• Tamaño 13	9120002151
• Tamaño 14	9120002152
• Tamaño 15	9120002153
• Tamaño 16	9120002154
• Tamaño 17	9120002155
• Tamaño 18	9120002156
• Tamaño 19	9120002279
Poste Veranda	9120002264
Soporte Veranda Storm	9120002157

Uso previsto

Este avancé es adecuado para:

- Caravanas
- Clima suave a moderado
- Uso itinerante
- Uso estacional

Este avancé **no** es adecuado para:

- Vientos muy fuertes o nevadas
- Uso comercial

Este producto solo es apto para el uso previsto y la aplicación de acuerdo con estas instrucciones.

Este manual proporciona la información necesaria para la correcta instalación y/o funcionamiento del producto. Una instalación deficiente y/o un uso y mantenimiento inadecuados conllevan un rendimiento insatisfactorio y posibles fallos.

El fabricante no se hace responsable de ninguna lesión o daño en el producto ocasionados por:

- Un montaje o conexión incorrectos, incluido un exceso de tensión
- Un mantenimiento incorrecto o el uso de piezas de repuesto distintas de las originales proporcionadas por el fabricante
- Modificaciones realizadas en el producto sin el expreso consentimiento del fabricante
- Uso con una finalidad distinta de la descrita en las instrucciones

Dometic se reserva el derecho de cambiar la apariencia y las especificaciones del producto.

Uso del avancé



¡ATENCIÓN! Riesgo de lesiones y daños materiales

No abra nunca la cremallera de la cubierta protectora mientras infle un AirPole. Esto hará que el AirPole estalle.

Antes del primer uso

Familiarícese con el producto realizando una prueba antes del primer uso. Compruebe si el volumen de entrega está completo.

Elección de un emplazamiento

Elija un lugar plano y protegido del viento:

1. Si es necesario, utilice un paravientos.
2. Elija un lugar sombreado para evitar la degradación de la tela por los rayos UV.
3. Evite acampar bajo los árboles, ya que las ramas, la resina, etc. pueden dañar el producto.

4. Elimine piedras afiladas y escombros del emplazamiento para evitar dañar la lona del suelo.
5. Coloque el producto con las puertas orientadas en dirección contraria al viento.

Montaje del avancé



¡ATENCIÓN! Riesgo de lesiones y daños materiales

- No utilice compresores diseñados para inflar neumáticos de automóviles.
- Infle los AIR Poles solamente en la zona verde del manómetro de la bomba manual suministrada (10 psi/0,69 bar).



¡AVISO! Peligro de daños materiales

- No abra ni cierre las cremalleras forzándolas.
- Si utiliza un toldo enrollable para sujetar el avancé, apoye el toldo enrollable mientras trabaja para evitar someterlo a demasiada tensión. Después de fijar el avancé, vuelva a enrollar completamente el toldo enrollable en el interior de su carcasa.



NOTA

- El avancé incluye piquetas de alta resistencia. Estas serán aptas para muchos emplazamientos, pero en algunos tipos de suelo se necesitarán piquetas especiales. Pregunte a su distribuidor.
- Coloque las piquetas en el suelo formando un ángulo de 45° con respecto al avancé.
- Fije con piquetas las cuerdas tensoras de manera que queden alineadas con la costura de la que parten.

Tenga en cuenta los siguientes consejos mientras monta el avancé:

- Las figuras ofrecen una visión general del montaje. El montaje real variará ligeramente según el modelo de avancé.
- Consiga ayuda. El montaje es más fácil si lo realizan varias personas.
- Después de poner el avancé de pie, compruebe las piquetas de las esquinas y vuelva a colocarlas si es necesario. La lona del suelo en el interior debe estar tensa y con forma rectangular.
- Fije las cuerdas tensoras en las piquetas de manera que el avancé esté en tensión sin distorsionar la forma.
- Si se suministran, coloque las correas antitormenta.
- Revise las cuerdas tensoras de vez en cuando para asegurar la tensión adecuada; si es necesario, utilice los carriles para ajustar.

Coloque el avancé de la siguiente manera:

1. Para evitar que el avancé se ensucie y se dañe, coloque una lona o un protector sobre el suelo antes de desembalarlo.
2. Desembale el avancé.
3. Separe e identifique los diferentes componentes.
4. Proceda como se muestra para montar el avancé (fig. 2, página 3 – fig. 17, página 7).

Desmontaje del avancé



¡AVISO! Peligro de daños

No utilice la fuerza para desmontar el avancé. De lo contrario, podría dañar los materiales.

1. Elimine cualquier suciedad en el exterior.
2. Cierre todos los estores de las ventanas o quite las cortinas.
3. Cierre todas las puertas y aperturas.
4. Si está instalado, empuje el tubo para dosel para extraerlo de la funda; no tire de él.
5. Retire las cuerdas tensoras y las correas.

6. Retire las piquetas situadas entre las piquetas de las esquinas.
7. Abra las válvulas de cada tubo.
8. Espere hasta que la mayor parte del aire haya sido expulsado.
9. Retire las cuatro piquetas de las esquinas.
10. Doble/enrolle el avancé hacia las válvulas para expulsar más aire.
11. Cuando esté desinflado, enrolle el avancé para que quepa en la bolsa de transporte.
12. Asegúrese de que todas las piezas estén limpias antes de meterlas en la bolsa de transporte.
13. Si el avancé está mojado o húmedo, séquelo completamente lo antes posible.

Limpeza y mantenimiento



¡AVISO! Peligro de daños

- Para limpiar, no utilice objetos afilados o duros ni productos de limpieza.
- No utilice materiales a base de alcohol, productos químicos, jabón y detergentes para la limpieza.
- Retire los excrementos de los pájaros y la resina de los árboles lo antes posible para evitar daños permanentes en el material.

1. Si es necesario, limpie el producto con agua limpia y un cepillo suave.
2. Aplique la impregnación contra el agua y la radiación UV antes de cada viaje.

Almacenamiento del avancé



NOTA

- Monte completamente el avancé para limpiarlo.
- Elija un día soleado para la limpieza para asegurarse de que el material se secará completamente.

1. Limpie el avancé.
2. Ventile completamente y asegúrese de que el avancé esté totalmente seco antes de guardarlo.
3. Guárdela en un lugar seco y bien ventilado.

Uso de los postes Veranda (opcionales)

La longitud de los postes Veranda (accesorio) se puede ajustar completamente con los bloqueos giratorios. Los postes se pueden utilizar para las aplicaciones siguientes:

- Los postes pueden proporcionar resistencia adicional al avancé en caso de condiciones meteorológicas extremas. El avancé tiene cinco posiciones para el montaje de los postes.
- Los postes se pueden montar atravesados a los huecos de las puertas para utilizar como barra de tendal.
- Las puertas y ventanas se pueden enrollar en los postes para ofrecer una abertura que mejore la circulación del aire en caso de buen tiempo.

Solución de problemas



NOTA

- Durante la primera exposición al agua puede haber algo de humedad en las costuras. A través de esta humedad, los hilos se hinchan y llenan los agujeros que se crean en el proceso de costura.
- Un kit de repuestos completamente equipado contiene:
 - Impermeabilizante
 - Cinta de reparación y solución de reparación
 - Spray de silicona para las cremalleras
 - Piquetas de repuesto

Problema	Solución
El avancé se infla con dificultad	<ul style="list-style-type: none"> ▶ Compruebe que la válvula esté completamente enroscada en el AirPole. ▶ Compruebe si el tubo de inflado está retorcido en la válvula. Puede guiarse por el sonido. Desenrosque el tubo de inflado. ▶ Compruebe que la bomba manual funcione correctamente.
Una parte del avancé no se infla ni desinfla	▶ Compruebe que todas las válvulas de aislamiento que conectan los AirPoles estén abiertas.
Los AirPoles están torcidos	▶ Añada más aire (10 psi/0,69 bar).
Fuga de aire	<ul style="list-style-type: none"> ▶ Compruebe que la válvula esté completamente atornillada en el AirPole y que el anillo de sellado esté en su lugar. ▶ Compruebe que la tapa de la válvula esté bien ajustada. ▶ Compruebe si hay pinchazos, vea capítulo "Reparación de un pinchazo en el AIR Pole" en la página 22.
Filtración de agua	<ul style="list-style-type: none"> ▶ Compruebe si hay costuras con filtraciones, cintas dañadas y zonas húmedas. ▶ Si no encuentra ninguna filtración, vea capítulo "Condensación" en la página 22. ▶ Si encuentra alguna filtración, aplique un sellador de costuras.
Rasgadura en la tela	<ul style="list-style-type: none"> ▶ Utilice cinta reparadora para sellar la tela. ▶ Las reparaciones deben ser realizadas por un especialista autorizado.

Condensación

En un avancé se produce condensación interna si se dan una o más de las siguientes condiciones:

- elevada humedad en el aire
- elevada humedad en el suelo
- descenso de la temperatura

Si la condensación es severa, el agua puede correr por el interior del techo y gotear desde las uniones, cintas y otros accesorios internos, con lo cual puede ser confundida con una filtración.

- ▶ Aumente la ventilación abriendo puertas y/o ventanas.
- ▶ Instale una lona de suelo impermeable.

Reparación de un pinchazo en el AIR Pole

Si el AIR Pole pierde aire, proceda de la siguiente manera:

1. Abra la cremallera de la funda exterior que sostiene el AIR Pole.
2. Si están instaladas, cierre las válvulas de aislamiento.
3. Retire el AIR Pole.
4. Desinfe el AIR Pole.
5. Abra la cremallera de la funda protectora para exponer el tubo inflable.
6. Bombee un poco de aire en el tubo inflable.

7. Sumerja el tubo en agua.
 8. Localice el pinchazo.
 9. Utilice cinta adhesiva y solución de reparación para sellar el agujero.
 10. Vuelva a colocar el tubo inflable en la funda protectora.
 11. Vuelva a colocar el AIR Pole en la funda externa.
- Tenga también en cuenta la información facilitada en fig. 18, página 7.

Eliminación



- Si es posible, deseche el material de embalaje en el contenedor de reciclaje adecuado.
- Consultar con un punto limpio o con un distribuidor especializado para obtener más información sobre cómo eliminar el producto de acuerdo con las normativas aplicables de eliminación.

Garantía

Se aplica el período de garantía estipulado por la ley. Si el producto está defectuoso, contacte con el punto de venta o con la sucursal del fabricante en su país (visite dometic.com/dealer).

Para tramitar la reparación y la garantía, incluya los siguientes documentos cuando envíe el producto:

- Una copia de la factura con fecha de compra
- El motivo de la reclamación o una descripción de la avería

Tenga en cuenta que una reparación por medios propios o no profesionales puede tener consecuencias de seguridad y suponer la anulación de la garantía.

La garantía cubre los defectos de fabricación, materiales y piezas. La garantía no cubre la decoloración de la lona ni el desgaste causado por la radiación ultravioleta, el mal uso, los daños accidentales, los daños por tormentas o el uso permanente, semipermanente o comercial. No cubre ningún daño resultante. Contacte con su distribuidor para realizar las reclamaciones. Esto no afecta a sus derechos legales.

Datos técnicos

	Tamaño 11	Tamaño 12	Tamaño 13	Tamaño 14	Tamaño 15	Tamaño 16	Tamaño 17	Tamaño 18	Tamaño 19
Dimensiones	Véase fig. 1, página 3								
Altura de conexión	2350 – 2500 mm								
Peso bruto (caja 1 y 2)	38,7 kg/ 15,2 kg	39,2 kg/ 15,2 kg	39,5 kg/ 16,5 kg	40,1 kg/ 16,5 kg	43,1 kg/ 17,0 kg	43,7 kg/ 17,0 kg	46,0 kg/ 18,0 kg	46,8 kg/ 18,0 kg	47,0 kg/ 18,2 kg
Peso neto	35,3 kg/ 13,5 kg	35,8 kg/ 13,5 kg	36,2 kg/ 14,8 kg	36,7 kg/ 14,8 kg	40,0 kg/ 15,3 kg	40,5 kg/ 15,3 kg	42,8 kg/ 16,0 kg	43,4 kg/ 16,0 kg	43,4 kg/ 16,7 kg

Leia atentamente as presentes instruções e siga todas as instruções, orientações e avisos incluídos neste manual, de modo a garantir sempre a correta instalação, utilização e manutenção do produto. É OBRIGATÓRIO manter estas instruções junto com o produto.

Ao utilizar o produto, está a confirmar que leu atentamente todas as instruções, orientações e avisos, e que compreende e aceita cumprir os termos e condições estabelecidos no presente manual. Aceita utilizar este produto exclusivamente para o fim e a aplicação a que se destina e de acordo com as instruções, orientações e avisos estabelecidos neste manual, assim como de acordo com todas as leis e regulamentos aplicáveis. Caso não leia nem siga as instruções e os avisos aqui estabelecidos, poderá sofrer ferimentos pessoais ou causar ferimentos a terceiros e o produto ou outros materiais nas proximidades poderão ficar danificados. Este manual do produto, incluindo as instruções, orientações e avisos, bem como a documentação relacionada, podem estar sujeitos a alterações e atualizações. Para consultar as informações atualizadas do produto, visite [documents.dometic.com](https://www.dometic.com), [dometic.com](https://www.dometic.com).



Descubra o vídeo "How To Set Up Your Caravan Awning" (Como montar o seu avançado numa caravana)
https://www.youtube.com/watch?v=hokC_gmD0IQ

Explicação dos símbolos



PERIGO!

Indicação de segurança: indica uma situação perigosa que, se não for evitada, resultará em morte ou ferimentos graves.



AVISO!

Indicação de segurança: Indica uma situação perigosa que, se não for evitada, pode causar a morte ou ferimentos graves.



PRECAUÇÃO!

Indicação de segurança: Indica uma situação perigosa que, se não for evitada, pode causar ferimentos ligeiros ou moderados.



NOTA!

Indica uma situação que, se não for evitada, pode causar danos materiais.



OBSERVAÇÃO

Informações suplementares para a utilização do produto.

Indicações de segurança



PERIGO! O incumprimento destas instruções provocará a morte ou ferimentos graves.

Risco de envenenamento por monóxido de carbono

- Nunca utilize aparelhos de queima de combustível, como grelhadores ou aquecedores a gás, dentro do avançado. O processo de queima produz monóxido de carbono que se acumula no interior do avançado, uma vez que não há chaminé.



AVISO! O incumprimento destes avisos poderá resultar em morte ou ferimentos graves.

Perigo de incêndio

- Mantenha todas as fontes de chamas e calor afastadas do tecido desta tenda.
- Certifique-se de que conhece as disposições de prevenção de incêndios em vigor no local.
- Não cozinhe nem utilize chamas abertas no interior do avançado.

Perigo de asfixia

- Certifique-se de que as aberturas de ventilação estão sempre abertas para evitar a asfixia.



PRECAUÇÃO! O incumprimento destas advertências poderá resultar em ferimentos ligeiros ou moderados.

Perigo de ferimentos

- Este aparelho não foi previsto para ser utilizado por pessoas (incluindo crianças) com capacidades físicas, sensoriais ou mentais reduzidas ou com insuficiente experiência e conhecimento, exceto caso tenham recebido supervisão ou instruções acerca da utilização do aparelho por parte de uma pessoa responsável pela sua segurança.
- Não permita que as crianças brinquem em redor do avançado e certifique-se de que é utilizado calçado de proteção adequado. Existe o risco de tropeçar nos estais e as estacas podem ser afiadas.
- A limpeza e a manutenção por parte do utilizador não podem ser efetuadas por crianças sem supervisão.
- Mantenha os pontos de passagem desobstruídos.

Material fornecido

Componente	Quantidade
Avançado	1
Painel dianteiro	2
Painel lateral	2
Set de cortinas em algodão	1
Bomba Gale 12 V	1
Saia avançada em PVC	1
Cintas contra intempéries	2
Conjunto de estacas	1
Bolsa de transporte	2
Manual de montagem e operação	1

Acessórios

Disponível como acessório (não incluído no material fornecido):

Descrição	N.º art.
Anexo Residence AIR Alto	9120002142
Tapete continental Residence	
• Tamanho 11, 12	9120002286
• Tamanho 13, 14	9120002221
• Tamanho 15, 16	9120002223
• Tamanho 17, 18	9120002225
• Tamanho 19	9120002287
Painel em rede Residence	
• Tamanho 11	9120002274
• Tamanho 12	9120002275
• Tamanho 13	9120002144
• Tamanho 14	9120002145
• Tamanho 15	9120002146
• Tamanho 16	9120002147
• Tamanho 17	9120002148
• Tamanho 18	9120002149
• Tamanho 19	9120002276
Chão Residence	
• Tamanho 11	9120002277
• Tamanho 12	9120002278

Descrição	N.º art.
• Tamanho 13	9120002151
• Tamanho 14	9120002152
• Tamanho 15	9120002153
• Tamanho 16	9120002154
• Tamanho 17	9120002155
• Tamanho 18	9120002156
• Tamanho 19	9120002279
Vareta Veranda	9120002264
Placa de base Veranda Storm	9120002157

Utilização adequada

Este avançado é adequado para:

- caravanas
- condições atmosféricas boas a moderadas
- viagens de turismo
- estação alta

Este avançado **não** é adequado para:

- ventos muito fortes ou queda de neve
- utilização comercial

Este produto destina-se exclusivamente à aplicação e aos fins pretendidos com base nestas instruções.

Este manual fornece informações necessárias para proceder a uma instalação e/ou a uma operação adequadas do produto. Uma instalação e/ou uma operação ou manutenção incorretas causarão um desempenho insatisfatório e uma possível avaria.

O fabricante não aceita qualquer responsabilidade por danos ou prejuízos no produto resultantes de:

- montagem ou ligação incorreta, incluindo sobretensões
- manutenção incorreta ou utilização de peças sobressalentes não originais fornecidas pelo fabricante
- alterações ao produto sem autorização expressa do fabricante
- utilização para outras finalidades que não as descritas no presente manual

A Dometic reserva-se o direito de alterar o design e as especificações do produto.

Utilizar o avançado



PRECAUÇÃO! Perigo de ferimentos e de danos materiais

Nunca abra o fecho-éclair da manga protetora enquanto uma vareta de ar estiver insuflada, pois isso resultará na explosão da vareta de ar.

Antes da primeira utilização

Antes da primeira utilização, familiarize-se com o produto testando a montagem. Verifique se o material fornecido está completo.

Escolher um local

Escolha um local plano protegido do vento:

1. Se for necessário, utilize um para-vento.
2. Escolha um local com sombra para evitar que a lona se degrade por efeito dos UV.
3. Evite montar o para-vento por baixo de árvores, uma vez que a queda de ramos, resina, etc., pode danificar o produto.

4. Limpe o local retirando pedras pontiagudas e detritos para evitar danificar o chão de tenda.
5. Monte o produto com as portas viradas para o lado oposto à direção do vento.

Montar o avançado



PRECAUÇÃO! Perigo de ferimentos e de danos materiais

- Não utilize nenhum tipo de compressor concebido para insuflar pneus de automóveis.
- Insufla as varetas de ar apenas até à zona verde do manómetro da bomba manual fornecida (10 psi/0,69 bar).



NOTA! Danos materiais

- Não abra nem feche os fechos-éclair à força.
- Se utilizar um toldo extensível para fixar o avançado, sustenha o toldo extensível enquanto estiver a trabalhar para evitar pressionar demasiado o toldo. Depois de fixar o avançado, recolha o toldo extensível completamente para a respetiva caixa.



OBSERVAÇÃO

- O avançado é fornecido com estacas robustas. Estas estacas serão adequadas para muitos locais mas alguns tipos de chão exigem estacas especiais. Contacte o seu revendedor.
- Enfie as estacas no chão fazendo um ângulo de 45° na direção oposta do avançado.
- Fixe os estais alinhados com a bainha onde começam.

Ao montar o avançado, preste atenção às seguintes dicas:

- As ilustrações oferecem-lhe uma visão geral da montagem. A montagem real será ligeiramente diferente em função do respetivo modelo do avançado.
- Peça ajuda. É mais fácil montar o produto com mais pessoas.
- Depois de colocar o avançado na vertical, verifique as estacas de canto e volte a fixá-las, se necessário. O chão de tenda no interior deve estar esticado e apresentar uma forma retangular.
- Fixe os estais de tal modo que o avançado fique esticado sem alterar a sua forma.
- Se estiverem disponíveis, fixe as cintas contra intempéries.
- Controle regularmente os estais para garantir que apresentam a tensão adequada. Se necessário, utilize os esticadores para ajustar.

Monte o avançado da seguinte forma:

1. Para proteger o avançado de sujidade e danos, antes de o desembalar cubra o pavimento com o chão de tenda ou uma lona.
2. Retire o avançado da embalagem.
3. Separe e identifique os diferentes componentes.
4. Proceda conforme ilustrado para montar o avançado (fig. 2, página 3 – fig. 17, página 7).

Desmontar o avançado



NOTA! Risco de danos

Não faça força ao desmontar o avançado. Caso contrário, pode danificar algum material.

1. Elimine a sujidade do exterior.
2. Feche todas as persianas das janelas ou retire as cortinas.
3. Feche todas as portas e aberturas.
4. Se estiver instalada, empurre a vareta do pavilhão para fora da manga, não a puxe.

5. Retire todas as linhas e cintas.
6. Retire todas as estacas posicionadas entre as estacas de canto.
7. Abra as válvulas de cada vareta.
8. Aguarde até a maior parte do ar ter sido eliminado.
9. Retire as quatro estacas de canto.
10. Dobre/enrole o avançado na direção das válvulas para expelir mais ar.
11. Quando o avançado estiver vazio, enrole-o de modo a caber na bolsa de transporte.
12. Assegure-se de que todas as peças estão limpas antes de as colocar na bolsa de transporte.
13. Se o avançado estiver molhado ou húmido, seque-o completamente assim que for possível.

Limpeza e manutenção



NOTA! Risco de danos

- Não utilize objetos afiados ou duros, nem produtos de limpeza.
- Não utilize materiais à base de álcool, químicos, sabão e detergentes de limpeza.
- Elimine excrementos de pássaros e resina de árvores o mais rapidamente possível para evitar danos permanentes no material.

1. Se for necessário, limpe o produto com água limpa e uma escova suave.
2. Antes de cada viagem, impregne o produto contra água e radiação UV.

Armazenar o avançado



OBSERVAÇÃO

- Monte completamente o avançado para limpar.
- Escolha um dia ensolarado para limpar, de modo a garantir que o material secará completamente.

1. Limpe o avançado.
2. Areje completamente e assegure-se de que o avançado está totalmente seco antes de o guardar.
3. Armazene o produto num local seco e bem ventilado.

Utilizar as varetas Veranda (opcionais)

O comprimento das varetas Veranda (acessórios) é totalmente ajustável graças aos fechos rotativos. As varetas podem ser utilizadas nas seguintes aplicações:

- As varetas podem proporcionar maior resistência ao avançado durante condições atmosféricas adversas. O avançado dispõe de cinco posições para a montagem das varetas.
- As varetas podem ser montadas nas duas aberturas da porta para permitir uma calha de secagem.
- As portas e as janelas podem ser dobradas sobre as varetas, formando uma abertura para maior circulação do ar nos dias de bom tempo.

Resolução de falhas



OBSERVAÇÃO

- Durante a primeira exposição à água, poderá verificar-se a existência de alguma humidade nas costuras. Esta humidade faz inchar os fios e preencher os orifícios criados durante o processo de costura.
- Um kit de peças sobressalentes completamente equipado deve incluir:
 - Impermeabilizante
 - Fita e solução de reparação
 - Spray de silicone para os fechos-éclair
 - Estacas sobressalentes

Problema	Solução
Dificuldades em insuflar o avançado	<ul style="list-style-type: none"> ▶ Verifique se a válvula está completamente aparafusada na vareta de ar. ▶ Verifique se o tubo de insuflação está torcido na válvula. Isto pode ser indicado por um ruído. Destorça o tubo de insuflação. ▶ Verifique se a bomba manual está a funcionar.
Parte do avançado não enche ou não esvazia	▶ Verifique se todas as válvulas de isolamento que ligam as varetas de ar estão abertas.
Varetas de ar dobradas	▶ Acrescente mais ar (10 psi/0,69 bar).
Fuga de ar	<ul style="list-style-type: none"> ▶ Verifique se a válvula está completamente aparafusada na vareta de ar e se o anel de vedação está na posição correta. ▶ Verifique se a tampa da válvula está bem apertada. ▶ Verifique se existem furos, ver capítulo "Reparar um furo na vareta de ar" na página 26.
Fuga de água	<ul style="list-style-type: none"> ▶ Verifique se existem costuras com fugas, fitas danificadas e áreas húmidas. ▶ Se não conseguir detetar fugas, ver capítulo "Condensação" na página 26. ▶ Se detetar fugas, aplique uma massa de vedação de costuras.
Rasgo na lona	<ul style="list-style-type: none"> ▶ Utilize a fita de reparação para vedar a lona. ▶ As reparações devem ser realizadas por um técnico qualificado autorizado.

Condensação

Todos os avançados sofrem de condensação interior, se se verificarem uma ou várias das condições seguintes:

- Elevada humidade do ar
- Elevada humidade do solo
- Uma queda da temperatura

A condensação acentuada pode escorrer pelo interior do teto e pingar de cordas, fitas e outros acessórios internos, podendo ser confundida com infiltrações.

- ▶ Aumente a ventilação abrindo as portas e/ou as janelas.
- ▶ Instale um chão de tenda impermeável.

Reparar um furo na vareta de ar

Se a vareta de ar perder ar, proceda da seguinte forma:

1. Abra o fecho-éclair da manga exterior que suporta a vareta de ar.
2. Feche as válvulas de isolamento, se estiverem instaladas.
3. Retire a vareta de ar.
4. Elimine o ar da vareta de ar.
5. Abra o fecho-éclair da manga protetora para expor o tubo insuflável.
6. Encha o tubo insuflável com um pouco de ar.
7. Submerja o tubo em água.
8. Localize o furo.

9. Utilize a fita de reparação e a solução de reparação para vedar o orifício.
 10. Feche novamente o fecho-éclair do tubo insuflável na manga protetora.
 11. Feche novamente o fecho-éclair da vareta de ar na manga exterior.
- Também tenha em atenção as informações que constam do fig. 18, página 7.

Eliminação



- Sempre que possível, coloque o material de embalagem no respetivo contentor de reciclagem.
- Informe-se junto do centro de reciclagem ou revendedor mais próximo sobre como eliminar este produto de acordo com as disposições de eliminação aplicáveis.

Garantia

Aplica-se o prazo de garantia legal. Se o produto apresentar defeitos, contacte o seu revendedor ou a filial do fabricante no seu país (ver dome-tic.com/dealer).

Para fins de reparação e do processamento da garantia, envie também os seguintes documentos quando devolver o produto:

- Uma cópia da fatura com a data de aquisição
- Um motivo de reclamação ou uma descrição da falha

Tenha em atenção que as reparações feitas por si ou por não profissionais podem ter consequências sobre a segurança e anular a garantia.

A garantia cobre defeitos de fabrico, materiais e peças. A garantia não cobre a descoloração do revestimento nem a deterioração causada por radiação UV, uso indevido, danos acidentais, danos causados por tempestade, nem danos devidos à utilização permanente, semipermanente ou comercial. A presente garantia não cobre danos subsequentes. Em caso de reclamação, contacte o seu revendedor. Estas disposições não afetam os seus direitos legais.

Dados técnicos

	Tamanho 11	Tamanho 12	Tamanho 13	Tamanho 14	Tamanho 15	Tamanho 16	Tamanho 17	Tamanho 18	Tamanho 19
Dimensões	ver fig. 1, página 3								
Altura de ligação	2350 – 2500 mm								
Peso bruto (caixa 1 e 2)	38,7 kg/ 15,2 kg	39,2 kg/ 15,2 kg	39,5 kg/ 16,5 kg	40,1 kg/ 16,5 kg	43,1 kg/ 17,0 kg	43,7 kg/ 17,0 kg	46,0 kg/ 18,0 kg	46,8 kg/ 18,0 kg	47,0 kg/ 18,2 kg
Peso líquido	35,3 kg/ 13,5 kg	35,8 kg/ 13,5 kg	36,2 kg/ 14,8 kg	36,7 kg/ 14,8 kg	40,0 kg/ 15,3 kg	40,5 kg/ 15,3 kg	42,8 kg/ 16,0 kg	43,4 kg/ 16,0 kg	43,4 kg/ 16,7 kg

Si prega di leggere attentamente e di seguire tutte le istruzioni, le linee guida e le avvertenze incluse in questo manuale del prodotto, al fine di garantire che il prodotto venga sempre installato, utilizzato e mantenuto nel modo corretto. Queste istruzioni DEVONO essere conservate insieme al prodotto.

Utilizzando il prodotto, l'utente conferma di aver letto attentamente tutte le istruzioni, le linee guida e le avvertenze e di aver compreso e accettato di rispettare i termini e le condizioni qui espressamente indicati. L'utente accetta di utilizzare questo prodotto solo per lo scopo e l'applicazione previsti e in conformità con le istruzioni, le linee guida e le avvertenze indicate nel presente manuale del prodotto, nonché in conformità con tutte le leggi e i regolamenti applicabili. La mancata lettura e osservanza delle istruzioni e delle avvertenze qui espressamente indicate può causare lesioni personali e a terzi, danni al prodotto o ad altre proprietà nelle vicinanze. Il presente manuale del prodotto, comprese le istruzioni, le linee guida e le avvertenze e la relativa documentazione possono essere soggetti a modifiche e aggiornamenti. Per informazioni aggiornate sul prodotto, si prega di visitare il sito documents.dometic.com, dometic.com.



Trova il video "How To Set Up Your Caravan Awning" (Come montare la veranda per il proprio caravan) su https://www.youtube.com/watch?v=hokC_gmD0IQ

Spiegazione dei simboli



PERICOLO!

Istruzione per la sicurezza: indica una situazione di pericolo che, se non evitata, provoca lesioni gravi o mortali.



AVVERTENZA!

Istruzione per la sicurezza: indica una situazione di pericolo che, se non evitata, potrebbe provocare lesioni gravi o mortali.



ATTENZIONE!

Istruzione per la sicurezza: indica una situazione di pericolo che, se non evitata, potrebbe provocare lesioni di entità lieve o moderata.



AVVISO!

Indica una situazione di pericolo che, se non evitata, può provocare danni alle cose.



NOTA

Informazioni supplementari relative all'impiego del prodotto.

Istruzioni per la sicurezza



PERICOLO! La mancata osservanza di questa istruzione causerà lesioni gravi o mortali.

Pericolo di avvelenamento da monossido di carbonio

- Non utilizzare mai apparecchi a combustibile come barbecue o riscaldatori a gas all'interno della veranda. Il processo di combustione produce monossido di carbonio che si accumula all'interno della veranda per l'assenza di una canna fumaria.



AVVERTENZA! La mancata osservanza di queste avvertenze potrebbe causare la morte o lesioni gravi.

Pericolo di incendio

- Tenere tutte le fiamme e le fonti di calore lontano dal tessuto della tenda.
- Assicurarsi di essere a conoscenza delle misure antincendio valide sul posto.
- Non cucinare all'interno della veranda e non utilizzare fiamme libere.

Pericolo di asfissia

- Assicurarsi che le aperture di ventilazione siano sempre aperte per evitare il soffocamento.



ATTENZIONE! La mancata osservanza di queste precauzioni potrebbe causare lesioni lievi o moderate. Rischio di lesioni

- Questo dispositivo non è adatto per essere impiegato da persone (bambini inclusi) con ridotte capacità fisiche, sensoriali o psichiche o prive di esperienza e di conoscenze specifiche, a meno che non siano sorvegliate da una persona competente o non siano state adeguatamente istruite sull'impiego dell'apparecchio da parte di una persona addeba alla sicurezza.
- Non permettere ai bambini di giocare intorno alla veranda e assicurarsi che vengano indossate le calzature di protezione adatte. I tiranti sono un pericolo di inciampo e i picchetti possono essere appuntiti.
- La pulizia e la manutenzione da parte dell'utente non possono essere eseguite da bambini lasciati soli.
- Mantenere libere le vie di passaggio.

Dotazione

Componente	Quantità
Veranda	1
Pannello frontale	2
Tenda laterale	2
Set di tende di cotone	1
Pompa Gale da 12 V	1
Paraspifferi in PVC	1
Cinghie di ancoraggio antivento	2
Set di picchetti	1
Borsa di trasporto	2
Istruzioni di montaggio e d'uso	1

Accessori

Disponibili come accessori (non in dotazione):

Descrizione	N. art.
Verandino Residence AIR Tall	9120002142
Tappeto Continental Residence	
• Misura 11, 12	9120002286
• Misura 13, 14	9120002221
• Misura 15, 16	9120002223
• Misura 17, 18	9120002225
• Misura 19	9120002287
Pannello in rete Residence	
• Misura 11	9120002274
• Misura 12	9120002275
• Misura 13	9120002144
• Misura 14	9120002145
• Misura 15	9120002146
• Misura 16	9120002147
• Misura 17	9120002148
• Misura 18	9120002149
• Misura 19	9120002276
Base Residence	
• Misura 11	9120002277

Descrizione	N. art.
• Misura 12	9120002278
• Misura 13	9120002151
• Misura 14	9120002152
• Misura 15	9120002153
• Misura 16	9120002154
• Misura 17	9120002155
• Misura 18	9120002156
• Misura 19	9120002279
Palo per veranda	9120002264
Base del palo antibufera per veranda	9120002157

Destinazione d'uso

Questa veranda è adatta per:

- caravan
- tempo da buono a moderato
- viaggi itineranti.
- uso stagionale

Questa veranda **non** è adatta per:

- venti molto forti o neviccate
- uso commerciale.

Questo prodotto è adatto solo per l'uso e l'applicazione previsti in conformità con le presenti istruzioni.

Il presente manuale fornisce le informazioni necessarie per la corretta installazione e/o il funzionamento del prodotto. Un'installazione errata e/o un utilizzo o una manutenzione impropri comporteranno prestazioni insoddisfacenti e un possibile guasto.

Il produttore non si assume alcuna responsabilità per eventuali lesioni o danni al prodotto che derivino da:

- montaggio o collegamento non corretti, compresa la sovratensione
- manutenzione non corretta o uso di ricambi diversi da quelli originali forniti dal produttore
- modifiche al prodotto senza esplicita autorizzazione del produttore
- impiego per scopi diversi da quelli descritti nel presente manuale.

Dometic si riserva il diritto di modificare l'aspetto e le specifiche del prodotto.

Uso della veranda



ATTENZIONE! Pericolo di lesioni e danni materiali

Non aprire mai la cerniera della guaina di protezione mentre un AirPole è gonfiato. Questo provocherà lo scoppio dell'AirPole.

Prima del primo utilizzo

Familiarizzare con il prodotto eseguendo un test di prova prima di utilizzarlo per la prima volta. Controllare se la fornitura è completa.

Scelta del luogo

Scegliere un luogo pianeggiante e protetto dal vento:

1. Se necessario, usare un frangivento.
2. Scegliere un luogo ombreggiato per evitare il degrado dai raggi UV del tessuto.
3. Non montare il prodotto sotto agli alberi perché potrebbe danneggiarsi a seguito della caduta di rami, resina o altro.

4. Sgombrare il luogo da pietre taglienti e detriti per evitare di danneggiare il telo da terra.
5. Montare il prodotto con le porte rivolte in una direzione diversa da quella del vento.

Installazione della veranda



ATTENZIONE! Pericolo di lesioni e danni materiali

- Non utilizzare compressori progettati per gonfiare le gomme dell'auto.
- Gonfiare gli AirPole solo nella zona verde del manometro della pompa manuale in dotazione (10 psi/0,69 bar).



AVVISO! Danni materiali

- Non aprire o chiudere le cerniere con la forza.
- Se si utilizza una tenda da sole avvolgibile per fissare la veranda, sostenere la tenda da sole avvolgibile durante il lavoro per evitare di solleccarla troppo. Dopo aver fissato la veranda, riavvolgere completamente la tenda da sole avvolgibile nel suo alloggiamento.



NOTA

- La veranda è fornita con picchetti per carichi pesanti, che risulteranno adatti a molti luoghi, ma per alcuni tipi di terreno saranno necessari dei picchetti speciali. Chiedere al proprio rivenditore di fiducia.
- Conficcare i picchetti nel terreno ad un angolo di 45° rispetto alla veranda.
- Ancorare ciascun tirante allineandolo alla cucitura da cui parte.

Tenere a mente i seguenti suggerimenti durante l'installazione della veranda.

- Le figure forniscono una panoramica generale dell'installazione. L'installazione effettiva varia leggermente in base al modello di veranda.
- Chiedere aiuto. L'installazione risulta più facile con più persone.
- Dopo aver posizionato la veranda in posizione verticale, controllare i picchetti angolari e, se necessario, riancorarli. Il telo da terra all'interno deve essere teso e di forma rettangolare.
- Ancorare i tiranti in modo tale che la veranda sia sotto tensione, senza distorcerne la forma.
- Se disponibili, fissare le cinghie di ancoraggio antivento.
- Controllare di tanto in tanto i tiranti per garantire una tensione adeguata, se necessario utilizzare i le guide per regolare.

Montare la veranda come segue:

1. Per proteggere la veranda da sporcizia e danni, stendere un telo o una copertura a terra prima di disimballarla.
2. Disimballare la veranda.
3. Separare e identificare i diversi componenti.
4. Procedere come indicato per montare la veranda (fig. 2, pagina 3 – fig. 17, pagina 7).

Smontaggio della veranda



AVVISO! Rischio di danni

Smontare la veranda senza usare forza. Altrimenti si potrebbero danneggiare i materiali.

1. Rimuovere lo sporco all'esterno.
2. Chiudere tutte le coprifinestre oscuranti o rimuovere le tende.
3. Chiudere tutte le porte e le aperture.
4. Se il palo del tendalino è installato, spingerlo fuori dal manicotto, senza tirare.

5. Rimuovere tutti i tiranti e le cinghie.
6. Rimuovere tutti i picchetti inseriti fra i picchetti angolari.
7. Aprire le valvole su ogni palo.
8. Attendere fino a quando la maggior parte dell'aria è stata espulsa.
9. Rimuovere i quattro picchetti angolari.
10. Piegare/arrotolare la veranda verso le valvole per espellere più aria.
11. Quando è sgonfia, arrotolare la veranda per farla entrare nella borsa per il trasporto.
12. Assicurarsi che tutte le parti siano pulite prima di imballarle nella borsa di trasporto.
13. Se la veranda è bagnata o umida, asciugarla completamente il prima possibile.

Pulizia e manutenzione



AVVISO! Rischio di danni

- Non utilizzare oggetti appuntiti o duri o detersivi per la pulizia.
- Non utilizzare per la pulizia materiali a base di alcol, prodotti chimici, sapone e detersivi.
- Rimuovere gli escrementi di uccelli e la resina degli alberi il più presto possibile per evitare danni permanenti al materiale.

1. Se necessario, pulire il prodotto con acqua pulita e una spazzola morbida.
2. Eseguire un trattamento impregnante contro l'acqua e i raggi UV prima di ogni viaggio.

Conservazione della veranda



NOTA

- Installare completamente la veranda per la pulizia.
- Scegliere una giornata soleggiata per eseguire la pulizia in modo da garantire che il materiale si asciughi completamente.

1. Pulire la veranda.
2. Arieggiare completamente e assicurarsi che la veranda sia completamente asciutta prima di riporla.
3. Conservare in un luogo asciutto e ben ventilato.

Impiego dei pali per veranda (opzionali)

La lunghezza dei pali per veranda (accessori) è completamente regolabile con i twistlock. I pali possono essere utilizzati per le applicazioni seguenti:

- I pali possono aumentare la resistenza della veranda in condizioni meteo avverse. La veranda presenta cinque posizioni di montaggio dei pali.
- I pali possono essere montati tra le aperture di due porte per creare uno stendino.
- Le porte e le finestre possono essere arrotolate sui pali per formare un'apertura che migliora la circolazione dell'aria quando c'è bel tempo.

Risoluzione dei problemi



NOTA

- Durante la prima esposizione all'acqua può essere presente un po' di umidità sulle cuciture. A causa dell'umidità i fili si gonfiano e riempiono i fori che si creano durante il processo di cucitura.
- Un kit di parti di ricambio completo deve includere:
 - Impermeabilizzante
 - Nastro di riparazione e soluzione di riparazione
 - Spray al silicone per cerniere
 - Picchetti di ricambio

Problema	Soluzione
La veranda si gonfia solo con difficoltà	<ul style="list-style-type: none"> ▶ Controllare che la valvola sia completamente avvitata nell'AirPole. ▶ Controllare se il tubo di gonfiaggio è attorcigliato in corrispondenza della valvola. In tal caso si dovrebbero sentire dei rumori. Districare il tubo di gonfiaggio. ▶ Controllare che la pompa manuale sia in funzione.
Parte della veranda non si gonfia o si sgonfia	<ul style="list-style-type: none"> ▶ Controllare che tutte le valvole di isolamento che collegano gli AirPole siano aperte.
Gli AirPole sono piegati	<ul style="list-style-type: none"> ▶ Aggiungere più aria (10 psi/0,69 bar).
Perdita d'aria	<ul style="list-style-type: none"> ▶ Controllare che la valvola sia completamente avvitata nell'AirPole e che la guarnizione ad anello sia in posizione. ▶ Controllare che il tappo della valvola sia serrato saldamente. ▶ Controllare che non vi siano forature, vedi capitolo "Riparazione di una foratura nell'AirPole" a pagina 30.
Perdita d'acqua	<ul style="list-style-type: none"> ▶ Controllare che non vi siano cuciture che perdono, nastri danneggiati e zone umide. ▶ Se non si riscontrano perdite, consultare il capitolo "Condensa" a pagina 30. ▶ Se si riscontrano perdite, applicare il sigillante per cuciture.
Strappo nel tessuto	<ul style="list-style-type: none"> ▶ Riparare la perforazione utilizzando nastro adesivo. ▶ Far eseguire le riparazioni da uno specialista autorizzato.

Condensa

Tutte le verande sono affette da condensa interna se si verificano una o più delle seguenti condizioni:

- elevata umidità dell'aria
- elevata umidità del terreno
- un calo di temperatura.

Una forte condensa può colare dall'interno del tetto e gocciolare da fascette, nastri e altri raccordi interni ed essere scambiata per una perdita.

- ▶ Aumentare la ventilazione aprendo porte e/o finestre.
- ▶ Installare un telo da terra impermeabile.

Riparazione di una foratura nell'AirPole

Se l'AirPole perde aria, procedere nel seguente modo:

1. Aprire la cerniera del manicotto esterno che sostiene l'AirPole.
2. Se installate, chiudere le valvole di isolamento.
3. Rimuovere l'AirPole.
4. Sgonfiare l'AirPole.
5. Aprire la cerniera del manicotto di protezione per esporre il tubo gonfiabile.

6. Soffiare un po' d'aria nel tubo gonfiabile.
 7. Immergere il tubo in acqua.
 8. Localizzare la foratura.
 9. Usare il nastro adesivo e la soluzione di riparazione per sigillare il foro.
 10. Chiudere la cerniera del manicotto di protezione in cui è inserito il tubo gonfiabile.
 11. Chiudere la cerniera del manicotto esterno in cui è inserito l'AirPole.
- Attenersi anche alle informazioni fornite nella fig. **13**, pagina 7.

Smaltimento



- Smaltire il materiale di imballaggio possibilmente negli appositi contenitori di riciclaggio.
- Consultare il centro locale di riciclaggio o il rivenditore specializzato per informazioni su come smaltire il prodotto secondo le norme sullo smaltimento applicabili.

Garanzia

Vale il termine di garanzia previsto dalla legge. Se il prodotto è difettoso, contattare il rivenditore di fiducia o la filiale del fabbricante nel proprio Paese (vedi dometic.com/dealer).

Per la gestione della riparazione e della garanzia è necessario inviare la seguente documentazione insieme al prodotto:

- una copia della ricevuta con la data di acquisto,
- il motivo della richiesta o la descrizione del guasto.

Tenere presente che le riparazioni eseguite in autonomia o da personale non professionista possono avere conseguenze sulla sicurezza e invalidare la garanzia.

La garanzia copre difetti di fabbricazione, materiali e componenti. La garanzia non copre lo scolorimento del telo di protezione né l'usura derivanti da raggi UV, uso improprio, danni accidentali, danni da intemperie o uso permanente, semipermanente o commerciale. Non copre i danni risultanti. Si prega di contattare il proprio distributore per eventuali reclami. Questo non influisce sui diritti statutari dell'utente.

Specifiche tecniche

	Misura 11	Misura 12	Misura 13	Misura 14	Misura 15	Misura 16	Misura 17	Misura 18	Misura 19
Dimensioni	vedi fig. 11 , pagina 3								
Altezza di collegamento	2350 – 2500 mm								
Peso lordo (scatola 1 e 2)	38,7 kg/ 15,2 kg	39,2 kg/ 15,2 kg	39,5 kg/ 16,5 kg	40,1 kg/ 16,5 kg	43,1 kg/ 17,0 kg	43,7 kg/ 17,0 kg	46,0 kg/ 18,0 kg	46,8 kg / 18,0 kg	47,0 kg/ 18,2 kg
Peso netto	35,3 kg/ 13,5 kg	35,8 kg/ 13,5 kg	36,2 kg/ 14,8 kg	36,7 kg/ 14,8 kg	40,0 kg/ 15,3 kg	40,5 kg/ 15,3 kg	42,8 kg/ 16,0 kg	43,4 kg/ 16,0 kg	43,4 kg/ 16,7 kg

Lees deze gebruiksaanwijzing zorgvuldig door en volg alle instructies, richtlijnen en waarschuwingen in deze handleiding op om ervoor te zorgen dat u het product te allen tijde op de juiste manier installeert, gebruikt en onderhoudt. Deze gebruiksaanwijzing MOET bij dit product bewaard worden.

Door het product te gebruiken, bevestigt u hierbij dat u alle instructies, richtlijnen en waarschuwingen zorgvuldig hebt gelezen en dat u de voorwaarden zoals hierin beschreven begrijpt en accepteert. U gaat ermee akkoord dit product alleen te gebruiken voor het beoogde doel en de beoogde toepassing en in overeenstemming met de instructies, richtlijnen en waarschuwingen zoals beschreven in deze gebruiksaanwijzing en in overeenstemming met de geldende wet- en regelgeving. Het niet lezen en opvolgen van de hierin beschreven instructies en waarschuwingen kan leiden tot letsel voor uzelf en anderen, schade aan uw product of schade aan andere eigendommen in de omgeving. Deze gebruiksaanwijzing, met inbegrip van de instructies, richtlijnen en waarschuwingen, en de bijbehorende documentatie kan onderhevig zijn aan wijzigingen en updates. Actuele productinformatie vindt u op documents.domestic.com, domestic.com.



Vind de video „How To Set Up Your Caravan Awning“ (Opzetten van een voortent voor uw caravan) op https://www.youtube.com/watch?v=hokC_gmD0IQ

Verklaring van de symbolen



GEVAAR!

Veiligheidsaanwijzing: duidt op een gevaarlijke situatie die, indien deze niet wordt voorkomen, leidt tot ernstig letsel of de dood.



WAARSCHUWING!

Veiligheidsaanwijzing: duidt op een gevaarlijke situatie die, indien deze niet wordt voorkomen, kan leiden tot ernstig letsel of de dood.



VOORZICHTIG!

Veiligheidsaanwijzing: duidt op een gevaarlijke situatie die, indien deze niet wordt voorkomen, kan leiden tot licht of matig letsel.



LET OP!

Duidt op een situatie die, indien deze niet wordt voorkomen, kan leiden tot materiële schade.



INSTRUCTIE

Aanvullende informatie voor het gebruik van het product.

Veiligheidsaanwijzingen



GEVAAR! Niet-inachtneming van deze instructie leidt tot ernstig letsel of de dood.

Gevaar voor koolmonoxidevergiftiging

- Gebruik nooit apparaten op brandstof in de voortent, bijvoorbeeld barbecues of gasbranders. Door het verbrandingsproces komt koolmonoxide vrij die zich in de voortent verzamelt, omdat deze geen rookkanaal heeft.



WAARSCHUWING! Het niet in acht nemen van deze waarschuwingen kan leiden tot ernstig letsel of de dood.

Brandgevaar

- Houd alle vlammen en hittebronnen uit de buurt van het tentdoek.
- Zorg ervoor dat u bekend bent met de brandpreventie-maatregelen ter plaatse.
- Gebruik de voortent niet om in te koken en gebruik er geen open vuur.

Gevaar voor verstikking

- Zorg ervoor dat alle ventilatieopeningen te allen tijde open zijn om verstikking te voorkomen.



VOORZICHTIG! Het niet in acht nemen van deze waarschuwingen kan leiden tot licht of matig letsel.

Gevaar voor letsel

- Dit toestel mag niet worden gebruikt door personen (inclusief kinderen) met een lichamelijke, zintuiglijke of geestelijke beperking of gebrek aan ervaring of kennis, tenzij zij onder toezicht staan of zijn geïnstrueerd in het gebruik van het toestel door een volwassene die verantwoordelijk is voor hun veiligheid.
- Laat kinderen niet rond de voortent spelen en zorg ervoor dat u geschikt en beschermend schoeisel draagt. Scheerlijnen vormen struikelgevaar en haringen kunnen scherp zijn.
- Reiniging en onderhoud mogen niet worden uitgevoerd door kinderen zonder toezicht.
- Houd doorgangswegen vrij.

Omvang van de levering

Onderdeel	Aantal
Voortent	1
Frontkap	2
Zijpaneel	2
Set katoenen gordijnen	1
12V-pomp Gale	1
PVC-tochtstrook	1
Stormlijnen	2
Haringen	1
Draagtas	2
Montagehandleiding en gebruiksaanwijzing	1

Accessoires

Verkrijgbaar als accessoires (niet bij de levering inbegrepen):

Beschrijving	Artikelnr.
Residence AIR hoge uitbouw	9120002142
Continental-tapijt Residence	
• Maat 11, 12	9120002286
• Maat 13, 14	9120002221
• Maat 15, 16	9120002223
• Maat 17, 18	9120002225
• Maat 19	9120002287
Horgaaspaneel Residence	
• Maat 11	9120002274
• Maat 12	9120002275
• Maat 13	9120002144
• Maat 14	9120002145
• Maat 15	9120002146
• Maat 16	9120002147
• Maat 17	9120002148
• Maat 18	9120002149
• Maat 19	9120002276
Onderzeil Residence	
• Maat 11	9120002277
• Maat 12	9120002278

Beschrijving	Artikelnr.
• Maat 13	9120002151
• Maat 14	9120002152
• Maat 15	9120002153
• Maat 16	9120002154
• Maat 17	9120002155
• Maat 18	9120002156
• Maat 19	9120002279
Verandastok	9120002264
Veranda storm voetplaat	9120002157

Beoogd gebruik

Deze voortent is geschikt voor:

- Caravans
- Goed tot matig weer
- Rondreizen
- Seizoenplaats

Deze voortent is **niet** geschikt voor:

- Harde wind of sneeuw
- Commercieel gebruik

Dit product is alleen geschikt voor het beoogde gebruik en de toepassing in overeenstemming met deze gebruiksaanwijzing.

Deze handleiding geeft informatie die nodig is voor een correcte installatie en/of correct gebruik van het product. Een slechte installatie en/of onjuist gebruik of onderhoud leidt tot onbevredigende prestaties en mogelijke storingen.

De fabrikant aanvaardt geen aansprakelijkheid voor letsel of schade aan het product die het gevolg is van:

- Onjuiste montage of aansluiting, inclusief te hoge spanning
- Onjuist onderhoud of gebruik van andere dan door de fabrikant geleverde originele reserveonderdelen
- Wijzigingen aan het product zonder uitdrukkelijke toestemming van de fabrikant
- Gebruik voor andere doeleinden dan beschreven in deze handleiding

Dometic behoudt zich het recht voor om het uiterlijk en de specificaties van het product te wijzigen.

De voortent gebruiken



VOORZICHTIG! Gevaar voor letsel en materiële schade

Open de ritssluiting van de beschermhoes nooit als een AIR-paal is opgeblazen. Hierdoor zal de AIR-paal uiteenspatten.

Vóór het eerste gebruik

Maak uzelf vertrouwd met het product door de tent bij wijze van proef op te zetten, alvorens het product voor het eerst te gebruiken. Controleer of de levering compleet is.

Een plaats kiezen

Kies een vlakke plaats die uit de wind ligt:

1. Gebruik indien nodig een windscherm.
2. Kies een schaduwrijke plaats om uv-aantasting van het doek te voorkomen.
3. Kampeer niet onder bomen, omdat vallende takken, hars enz. schade aan het product kunnen veroorzaken.

4. Verwijder scherpe stenen en puin van de grond, om beschadiging van het grondzeil te voorkomen.
5. Zet het product op met de ingangen van de wind af.

De voortent opzetten



VOORZICHTIG! Gevaar voor letsel en materiële schade

- Gebruik geen compressoren die bestemd zijn om autobanden op te pompen.
- Blaas de AIR-palen alleen op tot in de groene zone van de manometer van de bijgeleverde handpomp (10 psi/0,69 bar).



LET OP! Materiële schade

- Open of sluit de ritssluitingen niet met grote kracht.
- Als er een oprolbaar zonnescerm wordt gebruikt om de voortent te bevestigen, dient u het oprolbare zonnescerm te ondersteunen wanneer u eraan werkt, om te voorkomen dat er te veel spanning op komt te staan. Nadat de voortent is bevestigd, moet het oprolbare zonnescerm weer volledig worden opgerold.



INSTRUCTIE

- De voortent wordt geleverd met zwaarlastharingen. Deze zijn geschikt voor vele kampeerterreinen, maar voor sommige soorten ondergrond zijn er speciale haringen nodig. Raadpleeg hiervoor uw dealer.
- Steek de haringen onder een hoek van 45° van de voortent af in de grond.
- Span elke scheerlijn in een rechte lijn ten opzichte van de naad waar deze begint.

Denk aan de volgende tips wanneer u de voortent opzet:

- De afbeeldingen geven een algemeen overzicht van de opbouw. De daadwerkelijke opbouw varieert enigszins afhankelijk van het model van de voortent.
- Vraag om hulp. Het is gemakkelijker het product met meerdere personen op te zetten.
- Zodra de voortent rechtop staat, controleert u de hoekharingen en zet u deze eventueel opnieuw vast. Het grondzeil aan de binnenzijde moet strak liggen en een rechthoekige vorm hebben.
- Zet de scheerlijnen vast zodat de voortent strak staat, maar niet wordt vervormd.
- Bevestig de stormlijnen, indien beschikbaar.
- Controleer de scheerlijnen regelmatig op goede spanning. Pas deze indien nodig aan met behulp van de glijders.

Zet de voortent als volgt op:

1. Om de voortent te beschermen tegen vuil en schade, legt u er een grondzeil of onderzeil onder alvorens hem uit te pakken.
2. Pak de voortent uit.
3. Sorteert en identificeert de verschillende onderdelen.
4. Om de voortent op te zetten, gaat u te werk zoals afgebeeld (afb. 2, pagina 3 – afb. 17, pagina 7).

De voortent afbreken



LET OP! Gevaar voor schade

Gebruik geen kracht bij het afbreken van de voortent. Anders kunt u materiaal beschadigen.

1. Verwijder vuil van de buitenzijde.
2. Sluit alle raamverduisteringen of verwijder de gordijnen.
3. Sluit alle deuren en openingen.
4. Duw de luifelstok, indien geïnstalleerd, uit de hoes (niet trekken).
5. Verwijder alle lijnen en banden.
6. Verwijder alle haringen tussen de hoekharingen.
7. Open de kleppen van elke AIR-paal.
8. Wacht totdat de meeste lucht eruit is gelopen.
9. Verwijder de vier hoekharingen.
10. Vouw/rol de voortent naar de afsluiters toe om meer lucht te laten ontsnappen.
11. Rol de voortent zodra deze is leeggelopen op totdat hij in de draagtas past.
12. Zorg ervoor dat alle onderdelen schoon zijn, alvorens ze in de draagtas te stoppen.
13. Als de voortent nat of vochtig is, dient u deze zo spoedig mogelijk te laten drogen.

Reiniging en onderhoud



LET OP! Gevaar voor schade

- Gebruik geen scherpe of harde voorwerpen of bijtende schoonmaakmiddelen voor de reiniging.
- Gebruik geen middelen op alcoholbasis, chemicaliën, zeep en reinigingsmiddelen voor de reiniging.
- Verwijder vogelpoep en boomhars zo snel mogelijk, om te voorkomen dat het materiaal permanent beschadigd raakt.

1. Reinig het product indien nodig met schoon water en een zachte borstel.
2. Breng, voorafgaand aan elke reis, impregneermiddel tegen water en uv-straling aan.

De voortent opbergen



INSTRUCTIE

- Zet de voortent volledig op om deze te reinigen.
- Kies een zonnige dag voor de reiniging om er zeker van te zijn dat het materiaal goed droogt.

1. Reinig de voortent.
2. Laat de voortent volledig luchten en controleer of deze helemaal is opgedroogd voordat u hem opbergt.
3. Berg het product op een goed geventileerde, droge plek op.

Verandastokken gebruiken (optie)

De lengte van de verandastokken (accessoires) kan traploos worden aangepast met behulp van de draaivergrendelingen. De stokken kunnen worden gebruikt voor de volgende toepassingen:

- De stokken geven extra stabiliteit aan de voortent tijdens slecht weer. De voortent heeft vijf posities waar de stormstokken kunnen worden gemonteerd.
- De stokken kunnen over de twee deuropeningen worden gemonteerd om een droogrek te creëren.
- De deuren en ramen kunnen over de stokken worden gerold om een opening te creëren voor betere luchtcirculatie bij mooi weer.

Problemen oplossen



INSTRUCTIE

- Tijdens de eerste blootstelling aan water kunnen de naden wat vochtig zijn. Door dit vocht zal de draad zwellen en de gaatjes opvullen die ontstaan zijn in het naai-proces.
- Een volledige set reserveonderdelen moet het volgende bevatten:
 - Vochtwerend middel
 - Reparatietape en reparatieoplossing
 - Siliconenspray voor de ritssluitingen
 - Reserveharingen

Probleem	Oplossing
Voortent blaast moeilijk op	<ul style="list-style-type: none">▶ Zorg ervoor dat de klep volledig in de AIR-paal is geschroefd.▶ Controleer of de opblaas slang bij de klep is gedraaid. Dit kan worden gemerkt aan geluiden. Draai de opblaasbare buis recht.▶ Controleer of de handpomp werkt.
Een deel van de voortent blaast niet op of loopt niet leeg	<ul style="list-style-type: none">▶ Controleer of alle isolatiekleppen die de AIR-palen verbinden open zijn.
AIR-palen zijn geknikt	<ul style="list-style-type: none">▶ Voeg meer lucht toe (10 psi/0,69 bar).
Luchtlek	<ul style="list-style-type: none">▶ Zorg ervoor dat de klep volledig in de AIR-paal is geschroefd en dat de ringafdichting op haar plek zit.▶ Controleer of de dop van de klep goed vastzit.▶ Controleer op gaatjes, zie hoofdstuk „Een gaatje in de AirPole repareren” op pagina 34.
Waterlek	<ul style="list-style-type: none">▶ Controleer op lekkende naden, beschadigde tape en vochtige plekken.▶ Als u geen lekkages kunt vinden, zie hoofdstuk „Condensatie” op pagina 34.▶ Als u lekkages vindt, brengt u naadafdichtingsmiddel aan.
Scheur in het doek	<ul style="list-style-type: none">▶ Gebruik reparatietape om het doek te dichten.▶ Laat reparaties uitvoeren door een geautoriseerd vakbedrijf.

Condensatie

Alle voortenten ondervinden condensvorming indien één of meerdere van de volgende omstandigheden van toepassing zijn:

- Hoge luchtvochtigheid
- Hoge grondvochtigheid
- Temperatuurval

Sterke condensvorming kan langs de binnenzijde van het dak stromen en van koorden, tapes en andere bevestigingen druppelen en worden verward met lekkage.

- ▶ Zorg voor meer ventilatie door deuren en/of ramen te openen.
- ▶ Gebruik een waterdicht grondzeil.

Een gaatje in de AirPole repareren

Als de AirPole lucht verliest, gaat u als volgt te werk:

1. Rits de buitenste hoes los waar de AirPole in zit.
2. Sluit de isolatieventielen, indien geïnstalleerd.
3. Verwijder de AirPole.
4. Laat de AirPole leeglopen.
5. Rits de beschermhoes open om de opblaasbare buis bloot te leggen.
6. Pomp wat lucht in de opblaasbare buis.
7. Dompel de buis onder in water.

8. Zoek het gaatje.
 9. Gebruik reparatietape en reparatieoplossing om het gaatje te dichtten.
 10. Rits de opblaasbare buis weer in de beschermhoes.
 11. Rits de AirPole weer in de buitenste hoes.
- Lees ook de informatie in afb. **18**, pagina 7.

Afvalverwijdering



- Gooi het verpakkingsmateriaal indien mogelijk altijd in recyclingafvalbakken.
- Vraag het dichtstbijzijnde recyclingcentrum of uw dealer naar informatie over hoe het product kan worden weggegooid in overeenstemming met alle van toepassing zijnde nationale en lokale regelgeving.

Garantie

De wettelijke garantieperiode is van toepassing. Als het product defect is, neem dan contact op met de detailhandel of met het filiaal van de fabrikant in uw land (zie dometic.com/dealer).

Stuur voor de afhandeling van reparaties of garantie de volgende documenten mee:

- Een kopie van de factuur met datum van aankoop
- De reden voor de claim of een beschrijving van de fout

Houd er rekening mee dat eigenmachtige of niet-professionele reparatie gevolgen voor de veiligheid kan hebben en dat de garantie hierdoor kan komen te vervallen.

De garantie dekt productiefouten, materialen en onderdelen. De garantie dekt geen verbleking van het tentdoek en slijtage en schade als gevolg van uv-straling, onjuist gebruik, onopzettelijke schade, stormschade en permanent, semipermanent of commercieel gebruik. De garantie dekt geen enkele vorm van gevolgschade. Neem voor claims contact op met uw handelaar. Dit heeft geen invloed op uw wettelijke rechten.

Technische gegevens

	Maat 11	Maat 12	Maat 13	Maat 14	Maat 15	Maat 16	Maat 17	Maat 18	Maat 19
Afmetingen	zie afb. 11 , pagina 3								
Verbindingshoogte	2350 – 2500 mm								
Brutogewicht (doos 1 en 2)	38,7 kg/ 15,2 kg	39,2 kg/ 15,2 kg	39,5 kg/ 16,5 kg	40,1 kg/ 16,5 kg	43,1 kg/ 17,0 kg	43,7 kg/ 17,0 kg	46,0 kg/ 18,0 kg	46,8 kg / 18,0 kg	47,0 kg/ 18,2 kg
Nettogewicht	35,3 kg/ 13,5 kg	35,8 kg/ 13,5 kg	36,2 kg/ 14,8 kg	36,7 kg/ 14,8 kg	40,0 kg/ 15,3 kg	40,5 kg/ 15,3 kg	42,8 kg/ 16,0 kg	43,4 kg/ 16,0 kg	43,4 kg/ 16,7 kg

Læs og følg alle disse anvisninger, retningslinjer og advarsler i denne produktvejledning grundigt for at sikre, at du altid installerer, bruger og vedligeholder produktet korrekt. Disse anvisninger SKAL opbevares sammen med dette produkt.

Ved at benytte produktet bekræfter du hermed, at du har læst alle anvisninger, retningslinjer og advarsler grundigt, og at du forstår og er indforstået med de vilkår og betingelser, der er fastlagt heri. Du er indforstået med kun at bruge dette produkt til det beregnede formål og anvendelse i overensstemmelse med anvisningerne, retningslinjerne og advarslerne i denne produktvejledning samt i overensstemmelse med alle de gældende love og forskrifter. Manglende læsning og ignorerung af disse anvisninger og advarsler kan medføre kvæstelser på dig selv og andre, skade på dit produkt eller skade på anden ejendom i nærheden. Der tages forbehold for eventuelle ændringer og opdateringer af denne produktvejledning samt anvisningerne, retningslinjerne og advarslerne samt den tilhørende dokumentation. Se documents.dometic.com, dometic.com for de nyeste produktinformationer.



Find videoen „How To Set Up Your Caravan Awning“ (Sådan sætter du dit campingvogn-fortelt op) på https://www.youtube.com/watch?v=hokC_gmD0IQ

Forklaring af symboler



FARE!

Sikkerhedshenvisning: Angiver en farlig situation, som medfører dødsfald eller alvorlig kvæstelse, såfremt den ikke undgås.



ADVARSEL!

Sikkerhedshenvisning: Angiver en farlig situation, som kan medføre dødsfald eller alvorlig kvæstelse, såfremt den ikke undgås.



FORSIGTIG!

Sikkerhedshenvisning: Angiver en farlig situation, som kan medføre mindre eller lette kvæstelser, såfremt den ikke undgås.



VIGTIGT!

Angiver en situation, som kan medføre materielle skader, såfremt den ikke undgås.



BEMÆRK

Supplerende oplysninger om betjening af produktet.

Sikkerhedshenvisninger



FARE! Hvis dette ikke overholdes, vil det medføre dødelige eller alvorlige kvæstelser.

Fare for kulliteforgiftning

- Brug aldrig et apparat, der forbrænder brændstof som en grill eller gasvarmere, under forteltet. Forbrændingsprocessen danner kullite, som ophobes under forteltet, da der ikke er noget træk.



ADVARSEL! Manglende overholdelse af disse advarsler kan medføre dødelige eller alvorlige kvæstelser.

Brandfare

- Hold alle flamme- og varmekilder væk fra stoffet til dette telt.
- Sørg for, at du kender brandbeskyttelsesforanstaltningerne på stedet.
- Undgå madlavning i forteltet eller brug af åben ild.

Fare for kvælning

- Sørg for, at ventilationsåbningerne hele tiden er åbne for at undgå kvælning.



FORSIGTIG! Manglende overholdelse af disse forsigtighedshenvisninger kan medføre mindre eller moderate kvæstelser.

Fare for kvæstelser

- Dette apparat er ikke beregnet til at blive anvendt af personer (inkl. børn), som har begrænsede fysiske, sanselige eller mentale evner eller er uerfarne eller uvidende, medmindre der er sørget for et passende opsyn eller udførlig vejledning i brugen af apparatet fra en person, der er ansvarlig for deres sikkerhed.
- Lad ikke børn lege omkring forteltet, og sørg for at bære fodtøj, der beskytter fødderne. Bardunerne er en snublefare, og pløkkene kan være skarpe.
- Rengøring og brugerens vedligeholdelse må ikke udføres af børn uden opsyn.
- Sørg for, at adgangsvejene er frie.

Leveringsomfang

Komponent	Antal
Fortelt	1
Frontpanel	2
Sidepanel	2
Sæt med bomuldsgardiner	1
Gale 12 V-pumpe	1
PVC-trækbeskyttelse	1
Stormbånd	2
Pløkkepose	1
Bæretaske	2
Monterings- og betjeningsvejledning	1

Tilbehør

Kan fås som tilbehør (ikke indeholdt i leveringsomfanget):

Beskrivelse	Art.nr.
Residence AIR højt annek	9120002142
Continental-tæppe Residence	
• Størrelse 11, 12	9120002286
• Størrelse 13, 14	9120002221
• Størrelse 15, 16	9120002223
• Størrelse 17, 18	9120002225
• Størrelse 19	9120002287
Myggenet Residence	
• Størrelse 11	9120002274
• Størrelse 12	9120002275
• Størrelse 13	9120002144
• Størrelse 14	9120002145
• Størrelse 15	9120002146
• Størrelse 16	9120002147
• Størrelse 17	9120002148
• Størrelse 18	9120002149
• Størrelse 19	9120002276
Underlag Residence	
• Størrelse 11	9120002277
• Størrelse 12	9120002278

Beskrivelse	Art.nr.
• Størrelse 13	9120002151
• Størrelse 14	9120002152
• Størrelse 15	9120002153
• Størrelse 16	9120002154
• Størrelse 17	9120002155
• Størrelse 18	9120002156
• Størrelse 19	9120002279
Verandastang	9120002264
Verandastormfodplade	9120002157

Korrekt brug

Dette fortelt er beregnet til:

- Campingvogne
- Lette til moderate vejforhold
- Touring
- Fastliggere

Dette fortelt er **ikke** beregnet til:

- Meget kraftige vindstyrker eller snefald
- Erhvervs-mæssig brug

Dette produkt er kun egnet til dets beregnede formål og anvendelse i overensstemmelse med disse anvisninger.

Denne vejledning giver dig oplysninger om, hvad der er nødvendigt med henblik på en korrekt montering og/eller drift af produktet. Dårlig montering og/eller ukorrekt drift eller vedligeholdelse medfører utilstrækkelig ydeevne og mulige fejl.

Producenten påtager sig intet ansvar for kvæstelser eller skader i forbindelse med produktet, der skyldes:

- ukorrekt samling eller forbindelse inklusive for høj spænding
- ukorrekt vedligeholdelse eller brug af uoriginale reservedele, der ikke stammer fra producenten
- ændringer på produktet uden udtrykkelig tilladelse fra producenten
- brug til andre formål end dem, der er beskrevet i vejledningen.

Dometic forbeholder sig ret til at ændre produktets udseende og produktspecifikationer.

Brug af forteltet



FORSIGTIG! Fare for kvæstelser og materielle skader

Du må aldrig åbne lynlåsen til beskyttelseskraven, mens en luftstang pumpes op. Dette vil medføre, at luftstangen bryder.

Før første brug

Lær produktet at kende ved at foretage en prøveopsætning, før produktet anvendes første gang. Kontroller, om leveringsomfanget er komplet.

Valg af en plads

Vælg et plant sted, der er beskyttet mod vinden:

1. Brug om nødvendigt en læskærm.
2. Vælg et sted med skygge for at undgå, at UV-strålerne nedbryder stoffet.
3. Undgå opsætning under træer, da faldende grene, harpiks osv. kan beskadige produktet.
4. Fjern skarpe sten og andre rester, så underlaget ikke bliver beskadiget.

5. Opsæt produktet, så dørene vender væk fra vinden.

Opsætning af forteltet



FORSIGTIG! Fare for kvæstelser og materielle skader

- Brug ikke nogen former for kompressorer, der er beregnet til oppumpning af bildæk.
- Du må kun pumpe luftstænger op i trykmålerens grønne zone på den medfølgende håndpumpe (10 psi/0,69 bar).



VIGTIGT! Materielle skader

- Du må ikke åbne eller lukke lynlåsen med brug af vold.
- Hvis der anvendes en udtrækningsmarkise til at fastgøre forteltet, skal udtrækningsmarkisen understøttes under arbejdet, så den ikke belastes for kraftigt. Når forteltet er fastgjort, skal udtrækningsmarkisen rulles helt ind igen i den kassette.



BEMÆRK

- Forteltet leveres med kraftige pløkke. De vil være egnet til mange steder, men der kan kræves specielle pløkke til særlige typer jordbunde. Spørg din forhandler.
- Slå pløkkene i jorden med en vinkel på 45° væk fra forteltet.
- Slå en pløk i hver bardun på linje med den søm, de starter fra.

Vær opmærksom på følgende tips, når du sætter forteltet op:

- Figurene viser en generel oversigt over opsætningen. Den faktiske opsætning varierer en smule afhængigt af forteltets model.
- Få hjælp. Opsætningen er nemmere, hvis man er flere om det.
- Efter forteltet er rejst op, skal du kontrollere hjørnepløkkene og om nødvendigt sætte dem i igen. Det indvendige forteltgulv skal være glattet ud og have en firkantet form.
- Pløk bardunerne, så forteltet er stramt men stadig holder faconen.
- Anbring stormbånd, såfremt de forefindes.
- Kontrollér af og til bardunerne for at sikre, at de er tilstrækkeligt stramme, og brug evt. skyderne til at justere dem.

Sæt forteltet op på følgende måde:

1. For at beskytte forteltet mod snavs og beskadigelser skal der lægges et underlag før udpakningen.
2. Pak forteltet ud.
3. Sortér og identificér de forskellige komponenter.
4. Fortsæt som vist for at sætte forteltet op (fig. 2, side 3 – fig. 17, side 7).

Afmontering af forteltet



VIGTIGT! Fare for beskadigelse

Brug ikke vold, når du afmonterer forteltet. Ellers kan du beskadige materialerne.

1. Fjern al udvendig smuds.
2. Luk alle rullegardiner, eller fjern gardinerne.
3. Luk alle døre og åbninger.
4. Tryk solsejlsstangen ud af muffen, hvis den er monteret. Der må ikke trækkes.
5. Fjern alle barduner og bånd.
6. Fjern alle pløkke mellem hjørnepløkkene.
7. Åbn ventilerne på hver enkelt stang.
8. Vent, indtil det meste af luften er sivet ud.
9. Fjern de fire hjørnepløkke.

10. Fold/rul forteltet mod ventilerne for at fjerne mere af luften.
11. Når luften er tømt, skal du rulle forteltet sammen, så den passer i bæretasken.
12. Kontrollér, at alle dele er rene, før de pakkes i bæretasken.
13. Hvis forteltet er vådt eller fugtigt, skal det tørres hurtigst muligt.

Rengøring og vedligeholdelse



VIGTIGT! Fare for beskadigelse

- Du må ikke bruge skarpe eller hårde genstande eller rengøringsmidler under rengøringen.
- Brug ikke spritbaserede materialer, kemikalier, sæbe og rengøringsmidler under rengøringen.
- Fjern fugleklatte og træharpiks så hurtigt som muligt for at undgå, at materialet tager permanent skade.

1. Rengør produktet om nødvendigt med rent vand og en blød børste.
2. Påfør imprægnering mod vand og UV-stråling før hver tur.

Opbevaring af forteltet



BEMÆRK

- Sæt forteltet helt op med henblik på rengøring.
- Vælg at gøre rent på en dag, hvor solen skinner, så du er sikker på, at materialet tørrer helt.

1. Rengør forteltet.
2. Tøm luften helt, og sørg for, at forteltet er helt tørt, inden det pakkes væk.
3. Skal opbevares et tørt sted med god udluftning.

Brug af verandastængerne (option)

Længden af verandastængerne (tilbehør) kan justeres fuldstændigt med drejelåsene. Stængerne kan bruges til følgende anvendelser:

- Stængerne kan give ekstra styrke til forteltet under vanskelige vejrforhold. Forteltet har fem positioner til monteringen af stængerne.
- Stængerne kan monteres over de to døråbninger for at skabe en tørreskinne.
- Dørene og vinduerne kan rulles over stængerne og skabe en åbning til bedre luftcirkulation i godt vejr.

Udbedring af fejl



BEMÆRK

- Under den første udsættelse for vand kan der være lidt fugt på sømmene. Som følge af denne fugt svulmer trådene op og fylder de huller, der opstår under syngingsprocessen.
- Et komplet udstyret reservedelssæt indeholder:
 - Vandtætningsmiddel
 - Reparationstape og reparationsopløsning
 - Silikonespray til lynlåse
 - Reservepløkke

Problem	Løsning
Det er vanskeligt at pumpe forteltet op	<ul style="list-style-type: none"> ▶ Kontrollér, at ventilen er skruet helt i luftstangen. ▶ Kontrollér, om luftslangen er snoet ved ventilen. Dette kan indikeres med støj. Sørg for, at luftslangen ikke er snoet. ▶ Kontrollér, at håndpumpen fungerer.
En del af forteltet kan ikke pustes op eller tømmes for luft	<ul style="list-style-type: none"> ▶ Kontrollér, at alle isoleringsventiler, der forbinder luftstængerne, er åbne.

Problem	Løsning
Luftstængerne har knæk	<ul style="list-style-type: none"> ▶ Pump mere luft i (10 psi/0,69 bar).
Luftudslip	<ul style="list-style-type: none"> ▶ Kontrollér, at ventilen er skruet helt i luftstangen, og at ringtætningen sidder korrekt. ▶ Kontrollér, at ventilhætten sidder spændt stramt på. ▶ Kontrollér, om der er huller, se kapitlet „Reparation af et hul i luftstangen“ på side 38.
Vandlækage	<ul style="list-style-type: none"> ▶ Kontrollér, om der er søm, der lækker, beskadigede bånd og fugtige områder. ▶ Hvis du ikke kan finde lækager, se kapitlet „Dannelse af kondensat“ på side 38. ▶ Påfør sømtætningsmiddel, hvis du finder lækager.
Revne i stoffet	<ul style="list-style-type: none"> ▶ Brug reparationsstape til at tætte stoffet. ▶ Få reparationer udført hos en autoriseret specialist.

Dannelse af kondensat

Alle fortelte kan dugge indvendigt, hvis et eller flere af de følgende forhold gør sig gældende:

- høj luftfugtighed
- høj jordfugtighed
- et temperaturfald

Kraftig kondensering kan løbe ned ad taget og dryppe ned på bindere, bånd og andre indvendige fittings, og man kunne forveksle det med lækage.

- ▶ Sørg for kraftigere udluftningen ved at åbne døre og/eller vinduer.
- ▶ Montér et vandtæt underlag.

Reparation af et hul i luftstangen

Gør følgende, hvis der mangler luft i luftstængerne:

1. Lyn yderkraven af luftstangen op.
2. Luk isoleringsventilerne, hvis de findes.
3. Fjern luftstangen.
4. Luk luften ud af luftstangen.
5. Lyn beskyttelseskraven af for at blotlægge luftslangen.
6. Pust luft i luftslangen.
7. Neddyk slangen i vand.
8. Find hullet.
9. Brug reparationsstape og en reparationsopløsning for at tætte hullet.
10. Lyn luftslangen tilbage på beskyttelseskraven.
11. Lyn luftstangen tilbage på yderkraven.

- ▶ Overhold også oplysningerne på fig. 18, side 7.

Bortskaffelse



- ▶ Bortskaf så vidt muligt emballagemateriale sammen med det tilsvarende genbrugsaffald.
- ▶ Kontakt en lokal genbrugsstation eller din faghandel for at få de pågældende forskrifter om, hvordan du bortskaffer produktet i overensstemmelse med disse gældende forskrifter for bortskaffelse.

Garanti

Den lovbestemte garantiperiode gælder. Hvis produktet er defekt, bedes du kontakte din forhandler eller producentens afdeling i dit land (se domestic.com/dealer).

Ved reparation eller krav om garanti skal du medsende følgende bilag:

- En kopi af regningen med købsdato
- En reklamationsgrund eller en fejlbeskrivelse.

Vær opmærksom på, at egne eller uprofessionelle reparationer kan have sikkerhedsmæssige konsekvenser og kan gøre garantien ugyldig.

Garantien dækker produktionsfejl, materialer og dele. Garantien dækker ikke falmning af afdækningen og slitage samt UV-nedbrydning, misbrug, utilsigtet beskadigelse, stormskader, permanent eller halvpermanent brug eller brug i kommercielt øjemed. Den dækker ikke følgeskader. Kontakt din forhandler i forbindelse med krav. Dette påvirker ikke dine lov-mæssige krav.

Tekniske data

	Størrelse 11	Størrelse 12	Størrelse 13	Størrelse 14	Størrelse 15	Størrelse 16	Størrelse 17	Størrelse 18	Størrelse 19
Mål	se fig. 1, side 3								
Fastgørelsehøjde	2350 – 2500 mm								
Bruttovægt (boks 1 og 2)	38,7 kg/ 15,2 kg	39,2 kg/ 15,2 kg	39,5 kg/ 16,5 kg	40,1 kg/ 16,5 kg	43,1 kg/ 17,0 kg	43,7 kg/ 17,0 kg	46,0 kg/ 18,0 kg	46,8 kg/ 18,0 kg	47,0 kg/ 18,2 kg
Nettovægt	35,3 kg/ 13,5 kg	35,8 kg/ 13,5 kg	36,2 kg/ 14,8 kg	36,7 kg/ 14,8 kg	40,0 kg/ 15,3 kg	40,5 kg/ 15,3 kg	42,8 kg/ 16,0 kg	43,4 kg/ 16,0 kg	43,4 kg/ 16,7 kg

Läs och följ noggrant alla instruktioner, direktiv och varningar i den här produkthandboken för att säkerställa att du alltid installerar, använder och underhåller produkten på rätt sätt. Dessa instruktioner MÅSTE förvaras tillsammans med produkten.

Genom att använda produkten bekräftar du härmed att du noggrant har läst alla instruktioner, direktiv och varningar och att du förstår och är införstådd med att följa de villkor som anges här. Du är införstådd med att endast använda denna produkt i avsett syfte och i enlighet med instruktionerna, direktiven och varningarna som anges i denna produkthandbok samt i enlighet med alla gällande lagar och bestämmelser. Om du inte läser och följer instruktionerna och varningarna som anges här kan det leda till personskador på dig eller andra, på produkten eller annan egendom i närheten. Denna produkthandbok, inklusive instruktionerna, direktiven och varningarna samt relaterad information, kan ändras och uppdateras. För uppdaterad produktinformation, besök documents.dometic.com, dometic.com.



Se videon "Så här sätter du upp det statiska förtältet för husvagnar" på https://www.youtube.com/watch?v=hokC_gmD0IQ

Symbolförklaring



FARA!

Säkerhetsanvisning: Anger en farlig situation som, om den inte kan undvikas, leder till döden eller allvarlig personskada.



VARNING!

Säkerhetsanvisning: Anger en farlig situation som, om den inte kan undvikas, kan leda till döden eller allvarlig personskada.



AKTA!

Säkerhetsanvisning: Anger en farlig situation som, om den inte kan undvikas, leder till lindrig eller måttlig personskada.



OBSERVERA!

Anger en situation som, om den inte kan undvikas, kan leda till materiell skada.



ANVISNING

Kompletterande information om användning av produkten.

Säkerhetsanvisningar



FARA! Om inte denna anvisning följs leder det till dödsfall eller allvarliga personskador.

Fara för kolmonoxidförgiftning

- Använd aldrig en förbränningsapparat som grill eller gasolkök inuti förtältet. Förbränningen bildar kolmonoxid som samlas inuti förtältet eftersom det inte finns någon ventilation.



VARNING! Om man underlåter att följa de här varningarna kan följden bli dödsfall eller allvarlig personskada.

Brandrisk

- Håll eldflammar och värmekällor borta från tältduken.
- Observera brandskyddsanordningarna på platsen.
- Laga inte mat i förtältet och använd inte öppen låga.

Kvävningsrisk

- Kontrollera att ventilationsöppningarna alltid är öppna för att undvika kvävningsrisk.



AKTA! Om man underlåter att följa de här försiktighetsåtgärderna kan följden bli lindrig eller måttlig personskada.

Risk för personskada

- Denna apparat får inte användas av personer (inklusive barn) med nedsatt fysisk, sensorisk eller mental förmåga, eller som inte har erfarenhet eller tillräckliga kunskaper, såvida inte apparaten används under uppsikt eller med tillräcklig vägledning av en person som ansvarar för säkerheten.
- Låt inte barn leka i närheten av förtältet och se till att de använder lämpliga skyddande skor. Staglinor innebär snubblingsrisk och pinnarna kan vara vassa.
- Rengöring och användarunderhåll får inte genomföras av barn utan uppsikt.
- Håll fritt på gångvägarna.

Leveransomfattning

Komponent	Mängd
Förtält	1
Frontpanel	2
Sidopanel	2
Bomullsgardinsats	1
Gale 12 V-pump	1
PVC-vagnskappa	1
Stormremmar	2
Pinnförpackning	1
Bärväska	2
Monterings- och bruksanvisning	1

Tillbehör

Följande tillbehör finns tillgängliga (ingår inte i leveransen):

Beskrivning	Art.nr
Residence AIR Tall Annexe	9120002142
Continental Carpet Residence	
• Storlek 11, 12	9120002286
• Storlek 13, 14	9120002221
• Storlek 15, 16	9120002223
• Storlek 17, 18	9120002225
• Storlek 19	9120002287
Nätpanel Residence	
• Storlek 11	9120002274
• Storlek 12	9120002275
• Storlek 13	9120002144
• Storlek 14	9120002145
• Storlek 15	9120002146
• Storlek 16	9120002147
• Storlek 17	9120002148
• Storlek 18	9120002149
• Storlek 19	9120002276
Footprint Residence	
• Storlek 11	9120002277
• Storlek 12	9120002278

Beskrivning	Art.nr
• Storlek 13	9120002151
• Storlek 14	9120002152
• Storlek 15	9120002153
• Storlek 16	9120002154
• Storlek 17	9120002155
• Storlek 18	9120002156
• Storlek 19	9120002279
Verandastolpe	9120002264
Stormbottenplatta för veranda	9120002157

Avsedd användning

Det här förtältet passar för:

- Husvagnar
- Fint till måttligt dåligt väder
- Resor
- Säsongsamping

Det här förtältet passar **inte** för:

- Mycket hårda vindar eller snöfall
- Kommersiellt bruk

Den här produkten lämpar sig endast för avsedd användning i enlighet med denna bruksanvisning.

Den här manualen informerar om vad som krävs för att installera och/eller använda produkten på rätt sätt. Felaktig installation och/eller användning eller felaktigt underhåll kommer leda till att produkten inte fungerar optimalt och riskerar gå sönder.

Tillverkaren åtar sig inget ansvar för personskador eller materiella skador på produkten som uppstår till följd av:

- Felaktig montering eller anslutning, inklusive för hög spänning
- Felaktigt underhåll eller användning av reservdelar som inte är originaldelar från tillverkaren
- Ändringar som utförts utan uttryckligt medgivande från tillverkaren
- Användning för andra ändamål än de som beskrivs i denna bruksanvisning

Dometic förbehåller sig rätten att ändra produktens utseende och specifikationer.

Använda förtältet



AKTA! Risk för personskador och materialskador
Öppna aldrig dragkedjan på skyddshöljet medan en AIR-stång är uppumpad. Detta leder till att AIR-stången spricker.

Före den första användningen

Bekanta dig med produkten genom att göra en testuppsättning innan produkten används på riktigt första gången. Kontrollera att allt finns som ska ingå i leveransen.

Välja en plats

Välj en plan plats som är vindsyddad:

1. Använd ett vindskydd om det behövs.
2. Välj en skuggig plats så att inte UV-strålning försämrar tyget.
3. Undvik att sätta upp tältet under träd eftersom nedfallande grenar, kåda etc. kan skada tältet.
4. Rensa bort vassa stenar och skräp från platsen så att inte markduken skadas.

5. Sätt upp tältet med dörrarna bort från vinden.

Sätta upp förtältet



AKTA! Risk för personskador och materialskador

- Använd inte några kompressorer som är avsedda att pumpa bildäck.
- Pumpa endast luftstolparna till tryckmätarens gröna zon på den medföljande handpumpen (10 psi/0,69 bar).



OBSERVERA! Materiell skada

- Öppna eller stäng inte dragkedjorna med våld.
- Om en utrullbar markis används för att sätta fast förtältet, stötta markisen under arbetet så att den inte belastas för mycket. När du har satt fast förtältet rullar du in den utrullbara markisen i sitt hölje igen.



ANVISNING

- Förtältet levereras med robusta pinnar. Dessa kommer att passa på många platser men för vissa underlag kommer specialpinnar krävas. Fråga din återförsäljare.
- Driv in pinnarna i marken med 45° vinkel från förtältet.
- Fäst alla staglinor i linje med sömmen de börjar från.

Tänk på följande tips när du sätter upp förtältet:

- Bilderna ger en allmän översikt över uppsättningen. Den verkliga uppsättningen kommer variera beroende på förtältsmodellen.
- Be om hjälp. Det är lättare att sätta upp tältet om man är flera.
- När förtältet har ställts upp lodrätt, kontrollera hörnpinnarna och stick in dem på nytt vid behov. Markduken på insidan ska vara sträckt och ha rektangulär form.
- Sätt fast staglinorna så att förtältet är spänt utan att formen påverkas negativt.
- Sätt dit stormremmarna om sådana finns.
- Kontrollera staglinorna då och då för att se om de är rätt spända, justera vid behov med löparna.

Sätt upp förtältet så här:

1. Börja med att lägga ut en markduk eller underlag innan förtältet packas upp, så att det inte blir smutsigt eller skadas.
2. Packa upp förtältet.
3. Separera och identifiera de olika delarna.
4. Gör så här för att sätta upp förtältet (bild **2**, sida 3 – bild **17**, sida 7).

Ta ner förtältet



OBSERVERA! Risk för skada

Använd inte våld när du tar ner förtältet. Annars kan material skadas.

1. Ta bort all smuts på utsidan.
2. Stäng alla rullgardiner eller ta bort gardinerna.
3. Stäng alla dörrar och öppningar.
4. Om den är installerad ska sufflettstolpen skjutas ut ur skyddshöljet, dra inte.
5. Ta bort alla linor och remmar.
6. Ta bort alla pinnar mellan hörnpinnarna.
7. Öppna ventilerna på varje stolpe.
8. Vänta tills den mesta luften har släppts ut.
9. Ta bort de fyra hörnpinnarna.
10. Vik/rulla förtältet mot ventilerna för att släppa ut mer luft.
11. När förtältet är helt tomt på luft, rulla ihop det så det passar i bärväsken.

- Se till att alla delar är rena innan de packas i bärväska.
- Om förtältet är vått eller fuktigt, torka det helt så fort som möjligt.

Rengöring och skötsel



OBSERVERA! Risk för skada

- Använd inte vassa eller hårda föremål eller rengöringsmedel för rengöringen.
- Använd inte alkoholbaserade material, kemikalier, såpa eller rengöringsmedel vid rengöring.
- Ta bort fågelspillning och tråkåda så snabbt som möjligt för att förhindra att materialet skadas permanent.

- Rengör vid behov produkten med rent vatten och en mjuk borste.
- Impregnera mot vatten och UV-strålning inför varje resa.

Förvara förtältet



ANVISNING

- Sätt upp förtältet helt för rengöring.
- Välj en solig dag så att materialet kan torka ordentligt.

- Rengör förtältet.
- Lufta förtältet ordentligt och se till att det är helt torrt innan du lägger undan det.
- Förvara på en torr och välventilerad plats.

Använda verandastolparna (tillval)

Längden på verandastolparna (tillbehör) går att justera med vridlåsen. Stolparna kan användas för följande:

- Stolparna kan ge extra stöd till förtältet vid svåra väderförhållanden. Förtältet har fem lägen för montering av stolpar.
- Stolparna kan monteras över de två dörröppningarna för att ge ett torkräcke.
- Dörrarna och fönstren kan rullas över stolparna så att de bildar en öppning för bättre luftcirkulation vid vackert väder.

Felsökning



ANVISNING

- Vid första exponeringen för vatten kan det finnas lite fukt vid sömmarna. Denna fukt gör att trådarna sväller och täpper igen hålen som bildades när tältet syddes.
- En fullutrustad reservdelssats ska innehålla:
 - Vattentätning
 - Reparationstejp och -lösning
 - Silikonspray för dragkedjorna
 - Reservpinnar

Problem	Åtgärd
Förtältet kan bara pumpas upp med svårigheter	<ul style="list-style-type: none"> Kontrollera att ventilen är helt inskruvad i AIR-stången. Kontrollera om uppblåsningsröret är vridet vid ventilen. Detta kan avge ljud. Råta till uppblåsningsröret. Kontrollera att handpumpen fungerar.
En del av förtältet fylls inte med eller töms inte på luft	<ul style="list-style-type: none"> Kontrollera att alla isoleringsventiler som förbinder luftstolparna är öppna.
AIR-stängerna är knäckta	<ul style="list-style-type: none"> Tillför mer luft (10 psi/0,69 bar).

Problem	Åtgärd
Luftläckage	<ul style="list-style-type: none"> Kontrollera att ventilen är helt inskruvad i AIR-stången och att o-ringstättningen sitter på plats. Kontrollera att locket på ventilen är ordentligt åtdraget. Kontrollera om det finns punkteringar, se kapitel "Reparera en punktering i luftstolpen" på sidan 42.
Vattenläckage	<ul style="list-style-type: none"> Se efter om det finns sömmar som läcker, skadad tejp eller fuktiga områden. Om du inte hittar några läckage, se kapitel "Kondens" på sidan 42. Applicera sömtätningssmedel om du hittar några läckage.
Reva i tyget	<ul style="list-style-type: none"> Använd reparationstejp för att försluta tyget. Låt en auktoriserad specialist utföra reparationer.

Kondens

Alla förtält utsätts för intern kondens om ett eller flera villkor gäller:

- Hög luftfuktighet
- Hög markfukt
- Temperaturfall

Kraftig kondens kan rinna nedför insidan av taket och droppa från band och andra interna beslag och av misstag ses som läckage.

- Öka ventilationen genom att öppna dörrar och/eller fönster.
- Installera en vattentät markduk.

Reparera en punktering i luftstolpen

Om en luftstolpe tappas luft, gör så här:

- Öppna dragkedjan från det yttre höljet som håller luftstolpen.
- Stäng isoleringsventilerna om sådana finns.
- Ta bort luftstolpen.
- Töm ut luften ur luftstolpen.
- Öppna dragkedjan på skyddshöljet för att frilägga det uppblåsbara röret.
- Blås in lite luft i det uppblåsbara röret.
- Sänk ner röret i vatten.
- Leta reda på punkteringen.
- Använd reparationstejp och solution för att tätta hålet.
- Dra igen skyddshöljets dragkedja runt det uppblåsbara röret.
- Dra igen det yttre höljets dragkedja runt luftstolpen.

- Beakta även informationen i bild 18, sida 7.

Avfallshantering



- Lämna om möjligt förpackningsmaterialet till återvinning.
- Konsultera ett lokalt återvinningsscenter eller en specialiserad återförsäljare för information om hur man bortkaffar produkten i enlighet med tillämpliga bortskaffningsförfordningar.

Garanti

Den lagstadgade garantitiden gäller. Kontakta din återförsäljare eller tillverkarens avdelningskontor i ditt land (se dometic.com/dealer) om produkten är defekt.

Vid reparations- och garantiärenden ska följande dokument skickas med när du returnerar produkten:

- En kopia på fakturan med inköpsdatum
- En reklambeskrivning eller felbeskrivning

Observera att självständiga eller icke professionella reparationer kan påverka säkerheten och leda till att garantin blir ogiltig.

Garantin täcker tillverkningsfel, material och delar. Garantin täcker inte blekning av skyddet och slitage på grund av UV-strålning, felaktig användning, skador som beror på olyckor, stormskador eller permanent, halvpermanent eller kommersiell användning. Den täcker inga skador som resultat av detta. Kontakta din återförsäljare vid reklamationer. Detta påverkar inte dina lagstadgade rättigheter.

Tekniska data

	Storlek 11	Storlek 12	Storlek 13	Storlek 14	Storlek 15	Storlek 16	Storlek 17	Storlek 18	Storlek 19
Dimensioner	se bild 1 , sida 3								
Anslutningshöjd	2350 – 2500 mm								
Bruttovikt (låda 1 och 2)	38,7 kg/ 15,2 kg	39,2 kg/ 15,2 kg	39,5 kg/ 16,5 kg	40,1 kg/ 16,5 kg	43,1 kg/ 17,0 kg	43,7 kg/ 17,0 kg	46,0 kg/ 18,0 kg	46,8 kg/ 18,0 kg	47,0 kg/ 18,2 kg
Nettovikt	35,3 kg/ 13,5 kg	35,8 kg/ 13,5 kg	36,2 kg/ 14,8 kg	36,7 kg/ 14,8 kg	40,0 kg/ 15,3 kg	40,5 kg/ 15,3 kg	42,8 kg/ 16,0 kg	43,4 kg/ 16,0 kg	43,4 kg/ 16,7 kg

Vennligst les disse instruksjonene nøye og følg alle anvisninger, retningslinjer og advarsler i denne produktveiledningen for å sikre at du installerer, bruker og vedlikeholder produktet ordentlig til enhver tid. Disse instruksjonene MÅ alltid følge med produktet.

Ved å bruke dette produktet bekrefter du at du har lest alle anvisninger, retningslinjer og advarsler grundig, og at du forstår og samtykker i å overholde vilkårene slik de er presentert her. Du godtar å bruke dette produktet kun til tiltenkt formål og bruksområder, og i samsvar med anvisningene, retningslinjene og advarslene slik de er presentert i denne produktveiledningen, så vel som i samsvar med alle gjeldende lovbestemmelser og forskrifter. Hvis anvisningene og advarslene som er presentert her, ikke blir lest og fulgt, kan det føre til personskader hos deg selv eller andre, skader på produktet eller skader på annen eiendom i nærheten. Denne produktveiledningen med sine anvisninger, retningslinjer og advarsler, samt relatert dokumentasjon, kan være underlagt endringer og oppdateringer. For oppdatert produktinformasjon, se documents.dometic.com, dometic.com.



Du finner videoen «How To Set Up Your Caravan Awning» på https://www.youtube.com/watch?v=hokC_gmD0IQ

Symbolforklaring



FARE!

Sikkerhetsregel: Kjennetegner en farlig situasjon som - dersom den ikke unngås - resulterer i alvorlige personskader, eventuelt med døden til følge.



ADVARSEL!

Sikkerhetsregel: Kjennetegner en farlig situasjon som - dersom den ikke unngås - kan resultere i alvorlige personskader, eventuelt med døden til følge.



FORSIKTIG!

Sikkerhetsregel: Kjennetegner en farlig situasjon som - dersom den ikke unngås - kan resultere i mindre til moderate personskader.



PASS PÅ!

Kjennetegner en situasjon som - dersom den ikke unngås - kan resultere i materielle skader.



MERK

Ytterligere informasjon om betjening av produktet.

Sikkerhetsinstruksjoner



FARE! Hvis disse instruksjonene ikke overholdes, kan det oppstå alvorlige personskader, eventuelt med døden til følge.

Fare for karbonmonoksidforgiftning

- Brensel-drevne apparater, som f.eks. griller eller gassvarmeapparater, må aldri benyttes inne i forteltet. Forbrenningsprosessen produserer karbonmonoksid som akkumulerer inne i forteltet, da det ikke er noen avtrekkskanal.



ADVARSEL! Manglende overholdelse av disse advarslene kan resultere i alvorlige personskader, eventuelt med døden til følge.

Brannfare

- Hold all ild og varmekilder borte fra denne teltduken.
- Sørg for å kjenne tiltakene for brannsikkerhet på stedet.
- Du må ikke tilberede mat eller bruke åpen ild i forteltet.

Kvelningsfare

- Sørg for at ventilasjonsåpninger er åpne hele tiden for å unngå kvelning.



FORSIKTIG! Manglende overholdelse av disse forsiktighetsvarslene kan resultere i mindre til moderate personskader.

Fare for personskader

- Dette apparatet skal ikke brukes av personer (inkludert barn) med reduserte fysiske, sensoriske eller psykiske evner, eller også manglende erfaring eller kunnskap, med mindre de er under egnet oppsyn eller har fått anvisninger om bruk av apparatet av en person som er ansvarlig for deres sikkerhet.
- Ikke la barn leke rundt forteltet, og påse at alle har på seg egnet beskyttende fottøy. Bardunlinjer er en snublefare og pluggen kan være skarpe.
- Rengjøring og vedlikehold må ikke utføres av barn uten at de er under oppsikt.
- Ikke blokker gjennomganger.

Leveringsomfang

Komponent	Antall
Fortelt	1
Frontpanel	2
Sidepanel	2
Gardinsett i bomull	1
Gale 12 V pumpe	1
PVC snøskjørt	1
Stormstropper	2
Pluggpose	1
Bæreveske	2
Monterings- og bruksanvisning	1

Tilbehør

Tilgjengelig som tilbehør (ikke inkludert i leveransen):

Beskrivelse	Art.nr.
Residence AIR høyt annek	9120002142
Continental-teppe Residence	
• Størrelse 11, 12	9120002286
• Størrelse 13, 14	9120002221
• Størrelse 15, 16	9120002223
• Størrelse 17, 18	9120002225
• Størrelse 19	9120002287
Nettingpanel Residence	
• Størrelse 11	9120002274
• Størrelse 12	9120002275
• Størrelse 13	9120002144
• Størrelse 14	9120002145
• Størrelse 15	9120002146
• Størrelse 16	9120002147
• Størrelse 17	9120002148
• Størrelse 18	9120002149
• Størrelse 19	9120002276
Størrelse Residence	
• Størrelse 11	9120002277
• Størrelse 12	9120002278

Beskrivelse	Art.nr.
• Størrelse 13	9120002151
• Størrelse 14	9120002152
• Størrelse 15	9120002153
• Størrelse 16	9120002154
• Størrelse 17	9120002155
• Størrelse 18	9120002156
• Størrelse 19	9120002279
Verandastang	9120002264
Veranda stormfotplate	9120002157

Forskriftsmessig bruk

Dette forteltet er egnet for:

- Campingvogner
- Lett til moderat vær
- Rundreiser
- Sesongplass

Dette forteltet er **ikke** egnet for:

- Svært sterk vind eller snøfall
- Bruk i næringsdrift

Dette produktet er kun egnet for det tiltenkte formålet og bruksområdet i samsvar med disse instruksjonene.

Denne veiledningen gir informasjon som er nødvendig for korrekt installasjon og/eller bruk av produktet. Feilaktig installasjon og/eller ukorrekt bruk eller vedlikehold vil resultere i en utilfredsstillende ytelse og mulig svikt.

Produsenten fraskriver seg ethvert ansvar for personskader eller materielle skader på produktet som følger av:

- Ukorrekt montering eller tilkobling, inkludert for høy spenning
- Ukorrekt vedlikehold eller bruk av andre reservedeler enn originale reservedeler levert av produsenten
- Modifisering av produktet uten at det er gitt uttrykkelig godkjenning av produsenten
- Bruk til andre formål enn beskrevet i denne veiledningen

Dometic forbeholder seg rettigheten til å endre produktet ytre og produktspesifikasjoner.

Bruke forteltet



FORSIKTIG! Risiko for personskade og skade på materiale

Åpne aldri glidelåsen på beskyttelseshylsen så lenge en luftstang er fylt med luft. Dette vil resultere i at luftstangen sprennes.

Før første gangs bruk

Gjør deg kjent med produktet ved å utføre et testoppsett før produktet brukes for første gang. Sjekk at leveransen er komplett.

Velge sted for oppsett

Velg et flatt sted som er beskyttet mot vind:

1. Bruk vindskjerm om nødvendig.
2. Velg et sted der det er skygge for å unngå UV-nedbrytning av tekstilen.
3. Unngå å sette opp under trær, da grener som faller ned, kvaer, osv. kan skade produktet.

4. Rydd stedet for skarpe steiner og rusk for å unngå å skade underlaget.
5. Sett opp produktet slik at dørene vender vekk fra vinden.

Sette opp forteltet



FORSIKTIG! Risiko for personskade og skade på materiale

- Ikke bruk kompressorer av noe slag som er ment for å fylle luft på bildekk.
- Fyll luft i luftslangene bare i den grønne sonen på trykkmåleren på håndpumpen som følger med (10 psi/0,69 bar).



PASS PÅ! Materielle skader

- Ikke åpne eller lukk glidelåsene med makt.
- Hvis en uttrekkbart markise brukes til å feste forteltet, skal den uttrekkbare markisen støttes under arbeid for å unngå å belaste den for mye. Etter at du har festet forteltet, sveiver du den uttrekkbare markisen helt tilbake i huset.



MERK

- Forteltet leveres med kraftige pluggere. Disse vil være egnet for mange steder men spesialpluggere kreves for noen typer grunnlag. Spør din forhandler.
- Kjør inn pluggene i 45 ° vinkel fra forteltet og ned i bakken.
- Plugg hver bardun på linje med sømmen den starter fra.

Husk på følgende tips når du setter opp forteltet:

- Illustrasjonene viser en generell oversikt over oppsettet. Det faktiske oppsettet vil variere noe, basert på forteltmodell.
- Skaff hjelp. Det er enklere for flere mennesker å sette opp.
- Når forteltet er satt opp, sjekk hjørnepluggene og sett ned pluggere på nytt om nødvendig. Grunnlaget på innsiden skal være stramt og ligge rektangulært.
- Plugg i bardunene slik at forteltet er stramt uten av det ødelegger formen.
- Fest stormstroppene hvis de er tilgjengelige.
- Sjekk bardunene fra tid til annen for å sikre tilstrekkelig spenning, bruk løpeskinner for å justere om nødvendig.

Sett opp forteltet som følger:

1. For å beskytte forteltet fra smuss og skade, legg ned et underlag på bakken eller fotavtrykk før det pakkes opp.
2. Pakk opp forteltet.
3. Separer og identifiser de forskjellige komponentene.
4. Fortsett som vist for å sette opp forteltet (fig. 2, side 3 – fig. 17, side 7).

Montere ned forteltet



PASS PÅ! Fare for skader

Ikke bruk makt når du demonterer forteltet. Da kan du skade materialet.

1. Fjern smuss på utsiden.
2. Lukk alle vinduspersiener eller fjern gardiner.
3. Lukk alle dører og åpninger.
4. Hvis baldakinstang er montert, trykk den ut av hylsen. Ikke dra i den.
5. Fjern alle linjer og stropper.
6. Fjern alle pluggere mellom hjørnepluggene.
7. Åpne ventilene på hver stang.
8. Vent til mesteparten av luften har gått ut.

9. Fjern de fire hjørnepluggene.
10. Brett/rull sammen forteltet mot ventilene for å fjerne mer luft.
11. Når det er tømt for luft, rull sammen forteltet så det får plass i bærevesken.
12. Sjekk at alle deler er rene før du legger dem i bærevesken.
13. Hvis forteltet er vått eller fuktig, tørk helt så snart som mulig.

Rengjøring og vedlikehold



PASS PÅ! Fare for skader

- Ikke bruk skarpe eller harde gjenstander eller rengjøringsmidler til rengjøring.
- Ikke benytt alkoholbaserte materialer, kjemikalier, såper og rengjøringsmidler til rengjøring.
- Fjern fuglemøkk og kvae så snart som mulig, for å unngå permanent skade på materialet.

1. Om nødvendig, rengjør produktet med rent vann og en myk børste.
2. På impregnering mot vann og UV-stråling før hver reise.

Oppbevare forteltet



MERK

- Sett opp forteltet helt for rengjøring.
- Velg en dag med sol for rengjøringen for å være sikker på at materialet vil tørke godt.

1. Rengjør forteltet.
2. Luft forteltet godt, og påse at det er helt tørt før du pakker det bort.
3. Oppbevares på et godt ventileret, tørt sted.

Bruke verandastengene (ekstra)

Lengden på ekstra verandastenger er fullstendig justerbare med vridningslåsene. Stengene kan brukes med følgende applikasjoner:

- Stengene kan gi ekstra styrke til forteltet under tunge værforhold. Forteltet har fem posisjoner for monteringen av stengene.
- Stengene kan monteres på tvers av de to døråpningene for å forsyne en tørkestang.
- Dørene og vinduene kan rulles over stengene og danne en åpning for bedre luftsirkulasjon ved fint vær.

Feilretting



MERK

- Under første eksponering for vann, kan det forekomme fuktighet i sømmene. På grunn av denne fuktigheten vil trådene svulme opp og fylle hullene som har oppstått i syprosessen.
- Et fullt utstyrt reservedelsett skal inneholde:
 - Impregnering
 - Reparasjonsteip og reparasjonsløsning
 - Silikonspray for glidelåsene
 - Reserveplugg

Problem	Løsning
Det oppstår alltid vanskeligheter med å fylle luft i forteltet	<ul style="list-style-type: none"> ➤ Sjekk at ventilen er skrudd helt inn i luftstangen. ➤ Sjekk om inflasjonsslangen er vridt ved ventilen. Dette kan indikeres med lyd. Vri opp inflasjonsslangen. ➤ Sjekk at håndpumpen fungerer.
En del av forteltet fylles eller tømmes ikke for luft	<ul style="list-style-type: none"> ➤ Sjekk at alle stengeventiler som kobler til luftstengene, er åpne.

Problem	Løsning
Luftstengene har en knekk	<ul style="list-style-type: none"> ➤ Tilfør mer luft (10 psi / 0,69 bar).
Luftlekkasje	<ul style="list-style-type: none"> ➤ Sjekk at ventilen er skrudd helt inn i luftslangen og at ringpakningen er på plass. ➤ Kontroller at toppheten på ventilen er festet godt. ➤ Kontroller for punkteringer, se kapittel «Reparere en punktering i luftstangen» på side 46.
Vannlekkasje	<ul style="list-style-type: none"> ➤ Kontroller for sømmer som lekker, skadd teip og fuktige områder. ➤ Hvis ikke du finner noen lekkasjer, se kapittel «Kondens» på side 46. ➤ Hvis du finner lekkasjer, påføres sømforsegling.
Rift i teksten	<ul style="list-style-type: none"> ➤ Bruk reparasjonsteip for å forsegle teksten. ➤ Få reparasjoner utført av en autorisert spesialist.

Kondens

Alle fortelt får innvendig kondens ved ett eller flere av følgende forhold:

- Høy luftfuktighet
- Høy bakkefuktighet
- Et fall i temperatur

Sterk kondens kan renne ned innsiden av taket og dryppe fra bindinger, tape og andre innvendige beslag og kan forveksles med lekkasje.

- Øk ventilering ved å åpne dører og/eller vinduer.
- Installer et vanntett underlag.

Reparere en punktering i luftstangen

Gjør følgende hvis luftstangen mister luft:

1. Åpne opp det ytre hylsteret som holder luftstangen.
 2. Lukk stengeventiler hvis de er installert.
 3. Fjern luftstangen.
 4. Slipp ut luften fra luftstangen.
 5. Åpne den beskyttende hylsen for at den oppblåsbare slangen skal bli synlig.
 6. Fyll litt luft inn i den oppblåsbare slangen.
 7. Senk slangen i vann.
 8. Finn punkteringen.
 9. Bruk reparasjonsteipen og reparer løsningen for å gjøre hullet tett.
 10. Lukk den oppblåsbare slangen inn i den beskyttende hylsen igjen.
 11. Lukk luftstangen tilbake i den utvendige hylsen.
- Observer også informasjonen gitt i fig. 18, side 7.

Avfallshåndtering



- Lever emballasje til resirkulering så langt det er mulig.
- For å kaste produktet endelig ta kontakt med det lokale resirkuleringscenteret eller faghandler om hvordan du kan gjøre dette i overensstemmelse med gjeldende avfallshåndteringsforskrifter.

Garanti

Lovmessig garantitid gjelder. Hvis produktet er defekt, ta kontakt med forhandleren eller produsentens filial i landet (se dometic.com/dealer).

Ved henvendelser vedrørende reparasjon eller garanti, må du sende med følgende dokumentasjon:

- Kopi av kvitteringen med kjøpsdato
- Årsak til reklamasjonen eller beskrivelse av feilen

Vær oppmerksom på at reparasjoner som utføres selv, eller som ikke utføres på en profesjonell måte, kan gå ut over sikkerheten og føre til at garantien blir ugyldig.

Garantien dekker produksjonsfeil, materialer og deler. Garantien dekker ikke falming av duken og slitasje på grunn av UV-stråling, feil bruk, skader som skyldes uhell, skader som skyldes sterk vind, permanent eller delvis permanent eller kommersiell bruk. Den dekker heller ingen skader som følge av dette. Vennligst ta kontakt med forhandleren ved eventuelle krav. Dette påvirker ikke dine lovfestede rettigheter.

Tekniske spesifikasjoner

	Størrelse 11	Størrelse 12	Størrelse 13	Størrelse 14	Størrelse 15	Størrelse 16	Størrelse 17	Størrelse 18	Størrelse 19
Mål	se fig. 1, side 3								
Koblingshøyde	2350 – 2500 mm								
Bruttovekt (boks 1 og 2)	38,7 kg/ 15,2 kg	39,2 kg/ 15,2 kg	39,5 kg/ 16,5 kg	40,1 kg/ 16,5 kg	43,1 kg/ 17,0 kg	43,7 kg/ 17,0 kg	46,0 kg/ 18,0 kg	46,8 kg / 18,0 kg	47,0 kg/ 18,2 kg
Nettovekt	35,3 kg/ 13,5 kg	35,8 kg/ 13,5 kg	36,2 kg/ 14,8 kg	36,7 kg/ 14,8 kg	40,0 kg/ 15,3 kg	40,5 kg/ 15,3 kg	42,8 kg/ 16,0 kg	43,4 kg/ 16,0 kg	43,4 kg/ 16,7 kg

Lue nämä ohjeet huolellisesti ja noudata kaikkia tämän tuotteen käyttöohjeissa annettuja ohjeita, määräyksiä ja varoituksia. Näin varmistat, että tuotteen asennus, käyttö ja huolto sujuu aina oikein. Näiden ohjeiden TÄYTYÄ jäädä tuotteen yhteyteen.

Käyttämällä tuotetta vahvistat lukeneesi kaikki ohjeet, määräykset ja varoitukset huolellisesti ja että ymmärrät ja hyväksyt tässä annetut ehdot. Sitoudut käyttämään tuotetta ainoastaan sen käyttötarkoitukseen ja ilmoitetuissa käyttökohteissa ja noudattaen tässä tuotteen käyttöohjeissa annettuja ohjeita, määräyksiä ja varoituksia sekä voimassa olevia lakeja ja määräyksiä. Tässä annettujen ohjeiden ja varoitusten lukematta ja noudattamatta jättäminen voi johtaa omaan tai muiden loukkaantumiseen, tuotteen vaurioitumiseen tai muun ympärillä olevan omaisuuden vaurioitumiseen. Tähän tuotteen käyttöohjeeseen, ohjeisiin, määräyksiin ja varoituksiin sekä oheis-dokumenteihin voidaan tehdä muutoksia ja niitä voidaan päivittää. Katso ajantasaiset tuotetiedot osoitteesta [documents.dometic.com](https://www.dometic.com), [dometic.com](https://www.dometic.com).



Asuntovaunun etuteltan pystytyksen esittävä video "How To Set Up Your Caravan Awning" on saatavissa osoitteessa https://www.youtube.com/watch?v=hokC_gmD0IQ

Symbolien selitykset



VAARA!

Turvallisuusohje: Viittaa vaaralliseen tilanteeseen, joka johtaa kuolemaan tai vakavaan loukkaantumiseen, jos sitä ei vältetä.



VAROITUS!

Turvallisuusohje: viittaa vaaralliseen tilanteeseen, joka voi johtaa kuolemaan tai vakavaan loukkaantumiseen, jos ohjetta ei noudateta.



HUOMIO!

Turvallisuusohje: viittaa vaaralliseen tilanteeseen, joka voi johtaa lievään tai kohtalaiseen loukkaantumiseen, jos ohjetta ei noudateta.



HUOMAUTUS!

viittaa tilanteeseen, joka voi johtaa esinevahinkoon, jos ohjetta ei noudateta.



OHJE

Tuotteen käyttöä koskevia lisätietoja.

Turvallisuusohjeet



VAARA! Näiden ohjeiden noudattamatta jättäminen johtaa kuolemaan tai vakavaan loukkaantumiseen.

Häkämyrkytysvaara

- Älä milloinkaan käytä etuteltan sisällä polttoaineella toimivia laitteita kuten grillejä tai kaasulämmittimiä. Palaminen synnyttää häkää, joka kerääntyy etuteltan sisään, koska savuhormia ei ole.



VAROITUS! Näiden varoitusten noudattamatta jättäminen voi johtaa kuolemaan tai vakavaan vammaan.

Palovaara

- Pidä liekki- ja lämpölähteet loitolla tästä telttakankaasta.
- Varmista, että tunnet käyttöpaikan palontorjuntajärjestelyt.
- Etuteltassa ei saa laittaa ruokaa eikä käyttää avotulta.

Tukehtumisvaara

- Varmista, että ilmanvaihtoaukot ovat aina auki ja esteettömät, jotta tukehtuminen voidaan välttää.



HUOMIO! Näiden varoitusten noudattamatta jättäminen voi johtaa vähäiseen tai kohtalaiseen vammaan.

Loukkaantumisvaara

- Tätä laitetta ei ole tarkoitettu sellaisten henkilöiden (mukaan lukien lapset) käyttöön, joiden fyysiset, aistinvaraiset tai henkiset kyvyt ovat rajoittuneita tai joilta puuttuu laitteen käytön vaatima kokemus tai tietämys. Poikkeuksena tästä on tilanne, jossa edellä mainittujen henkilöiden turvallisuudesta vastaava henkilö on antanut opastuksen laitteen käyttöön tai laitteen käyttö tapahtuu turvallisuudesta vastaavan henkilön valvonnassa.
- Älä anna lasten leikkiä etuteltan ympärillä ja varmista, että käytössä on sopivat suojaavat jalkineet. Naruihin voi kompastua ja kiilat voivat olla teräviä.
- Lapset eivät saa puhdistaa laitetta eivätkä ryhtyä käyttäjän suoritettavaksi tarkoitettuihin huoltotoihin ilman valvontaa.
- Huolehdi siitä, että kulkutiet pysyvät esteettöminä.

Toimituskokonaisuus

Osa	Määrä
Etuteltta	1
Etupaneeli	2
Sivupaneeli	2
Puuvillaverhosarja	1
12 V:n Gale-pumppu	1
PVC-tuulensuojalieve	1
Myrskyhihnat	2
Kiilapakkaus	1
Kantolaukku	2
Asennus- ja käyttöohje	1

Lisävarusteet

Saatavissa lisävarusteena (ei sisälly toimituskokonaisuuteen):

Kuvaus	Tuotenumero
Korkea Residence AIR -lisäosa	9120002142
Continental-matto Residence	
• Koko 11, 12	9120002286
• Koko 13, 14	9120002221
• Koko 15, 16	9120002223
• Koko 17, 18	9120002225
• Koko 19	9120002287
Verkkokankainen paneeli Residence	
• Koko 11	9120002274
• Koko 12	9120002275
• Koko 13	9120002144
• Koko 14	9120002145
• Koko 15	9120002146
• Koko 16	9120002147
• Koko 17	9120002148
• Koko 18	9120002149
• Koko 19	9120002276

Kuvaus	Tuotenro
Maavaate Residence	
• Koko 11	9120002277
• Koko 12	9120002278
• Koko 13	9120002151
• Koko 14	9120002152
• Koko 15	9120002153
• Koko 16	9120002154
• Koko 17	9120002155
• Koko 18	9120002156
• Koko 19	9120002279
Terassitanko	9120002264
Veranta-/myrskytangon alakiinnike	9120002157

Käyttötarkoitus

Tämä etuteltta sopii seuraaviin:

- Asuntovaunut
- Hyvä – kohtalainen sää
- Retkeily
- Koko sesongin kestävä pystytys

Tämä etuteltta **ei** sovi seuraaviin:

- Hyvin voimakas tuuli tai lumisade
- Kaupallinen käyttö

Tämä tuote soveltuu ainoastaan näissä ohjeissa ilmoitettuun käyttötarkoitukseen ja käyttökohteeseen.

Näistä ohjeista saat tuotteen asianmukaiseen asennukseen ja/tai käyttöön tarvittavat tiedot. Väärin tehdyn asennuksen ja/tai väärän käyttötavan tai vääränlaisen huollon seurauksena laite ei toimi tyydyttävästi, ja se saattaa mennä epäkuuntoon.

Valmistaja ei ota vastuuta tapaturmista tai tuotevaurioista, jotka johtuvat seuraavista:

- Väärin tehty asennus tai liitännä, ylijännite mukaan lukien
- Väärin tehty huolto tai muiden kuin valmistajalta saatavien alkuperäisten varaosien käyttö
- Tuotteeseen ilman valmistajan nimenomaista lupaa tehdyt muutokset
- Käyttö muuhun kuin tässä ohjeessa ilmoitettuun tarkoitukseen

Dometic pidättää itsellään oikeuden muutoksiin tuotteen ulkonäössä ja spesifikaatioissa.

Etuteltan käyttö



HUOMIO! Loukkaantumis- ja materiaalihinkovaara

Älä missään tapauksessa avaa suojuksen vetoketjua, kun ilmatäyteinen kaari on täytetty. Tämä saa ilmatäyteisen kaaren halkeamaan.

Ennen ensimmäistä käyttökertaa

Tutustu tuotteeseen pystyttämällä se kokeeksi ennen kuin käytät tuotetta ensimmäisen kerran. Tarkasta, että toimituskokonaisuus on täydellinen.

Paikan valitseminen

Valitse tasainen, tuulelta suojassa oleva paikka:

1. Käytä tarvittaessa tuulisuojaa.
2. Valitse varjoinen paikka, jotta UV-säteily ei saa kangasta ikääntymään.
3. Vältä pystyttämistä puiden alle, koska putoavat oksat, pihka jne. voivat vahingoittaa tuotetta.

4. Poista paikasta terävät kivet ja roskat, jotka voivat vahingoittaa pohjakangasta.
5. Pystytä teltta niin, että ovet ovat suojan puolella.

Etuteltan pystyttäminen



HUOMIO! Loukkaantumis- ja materiaalihinkovaara

- Älä käytä minkäänlaista auton renkaiden täyttämiseen tarkoitettua kompressoria.
- Täytä ilmatäyteiset kaaret vain mukana toimitetun käsipumpun painemittarin vihreää aluetta vastaavaan paineeseen (10 psi/0,69 baaria).



HUOMAUTUS! Materiaalivaurio

- Älä avaa tai sulje vetoketjuja väkisin.
- Jos etuteltan kiinnittämiseen käytetään teleskooppimarkiisiä, tue tätä työskentelyn aikana, jotta se ei rasitu liikaa. Kun etuteltta on kiinnitetty, kelaa teleskooppimarkiisi kokonaan takaisin koteloonsa.



OHJE

- Etuteltan mukana tulee lujatekoiset kiilat. Ne sopivat moniin paikkoihin, mutta eräänlaisten maaperätyyppien yhteydessä tarvitaan erikoiskiiloja. Kysy kauppialtasi.
- Lyö kiilat maahan 45°-kulmassa etutelttaan nähden.
- Lyö kunkin narun kiila samalle kohdalle kuin sauma, josta naru alkaa.

Muista seuraavat yleisvinkit, kun pystytät etutelttaa:

- Kuvista saat yleiskäsityksen pystytyksestä. Todellinen pystytys voi vaihdella hieman etuteltan mallista riippuen.
- Pyydä apua. Pystytys on helpompaa joukolla.
- Kun etuteltta on pystyssä, tarkasta kulmakiilat ja siirrä niitä tarvittaessa. Sisäpuolella olevan pohjakankaan tulisi olla kireällä ja muodoltaan suorakaide.
- Laita narujen kiilat niin, että etuteltta on tiukalla, mutta sen muoto ei muutu.
- Kiinnitä myrskyhihnat, jos sellaiset on.
- Tarkasta narujen kireys silloin tällöin, säädä niitä tarvittaessa kiristyskapaleilla.

Pystytä etuteltta seuraavalla tavalla:

1. Jotta etuteltta ei likaantuisi tai vaurioituisi, levitä pohjakangas tai maavaate ennen pakkauksesta purkamista.
2. Pura etuteltta paketista.
3. Erottele ja tunnista eri osat.
4. Pystytä etuteltta kuvien mukaisesti (kuva **2**, sivulla 3 – kuva **17**, sivulla 7).

Etuteltan purkaminen



HUOMAUTUS! Vahingonvaara

Älä käytä etuteltan purkamiseen voimaa. Voit muuten vahingoittaa materiaaleja.

1. Puhdista ulkopuoli liasta.
2. Sulje kaikki kaihtimet tai ota verhot pois.
3. Sulje kaikki ovet ja aukot.
4. Jos katoksen kaari on asennettuna, työnnä se ulos kujasta – älä vedä.
5. Ota kaikki narut ja hihnat pois.
6. Ota kaikki kiilat pois kulmakiilojen välistä.
7. Avaa jokaisen kaaren venttiilit.
8. Odota, kunnes suurin osa ilmasta on poistunut.
9. Ota neljä kulmakiilaa pois.

10. Taita/rullaa etutelttaa venttiileitä kohti, jotta lisää ilmaa poistuu.
11. Kun etuteltta on tyhjä, rullaa se niin, että se mahtuu kuljetuspussiinsa.
12. Varmista, että kaikki osat ovat puhtaita ennen niiden laittamista kuljetuspussiin.
13. Jos etuteltta on märkä tai kostea, kuivata se kokonaan mahdollisimman pian.

Puhdistus ja hoito



HUOMAUTUS! Vaurion vaara

- Älä käytä puhdistukseen teräviä tai kovia esineitä tai puhdistusaineita.
- Älä käytä puhdistamiseen alkoholipohjaisia aineita, kemikaaleja, saippuaa äläkä puhdistusaineita.
- Poista lintujen jätökset ja pihka mahdollisimman pian, jotta materiaaliin ei tule pysyvää vauriota.

1. Puhdista tuote tarvittaessa puhtaalla vedellä ja pehmeällä harjalla.
2. Lisää vesi- ja UV-säteilykyllästeainetta ennen jokaista matkaa.

Etuteltan säilytys



OHJE

- Pystytä etuteltta kokonaan puhdistusta varten.
- Valitse puhdistamiseen aurinkoinen päivä, jotta materiaali kuivuu perusteellisesti.

1. Puhdista etuteltta.
2. Täytä kokonaan ja varmista, että etuteltta on täysin kuiva ennen sen pakkaamista.
3. Säilytä kuivassa tuuletetussa paikassa.

Terassitankojen käyttö (valinnainen)

Veranta-/myrskytankojen (valinnainen) pituus voidaan säätää täysin portaattomasti, ja pituus lukitaan kiertämällä. Tankoja voidaan käyttää seuraaviin tarkoituksiin:

- Tangot tukevoittavat etutelttaa rajuilmalla. Tangot voidaan asentaa viidessä etuteltan asennossa.
- Tangot voidaan asentaa oviaukkojen poikki, jolloin ne toimivat kuivatuskiskoina.
- Ovet ja ikkunat voidaan rullata tankojen yli, jolloin ilma pääsee kiertämään paremmin hyvällä säällä.

Vianetsintä



OHJE

- Vesikosketuksen aikana saumoihin voi ilmestyä kosteutta. Tämän kosteuden ansiosta langat turpoavat ja täyttävät ompeluprosessin aikana syntyneet reiät.
- Täydellinen varaosasarja sisältää seuraavat tuotteet:
 - kyllästysaine
 - korjausteippi ja korjausliuos
 - vetoketjujen silikonisuihke
 - lisäksiilat

Ongelma	Ratkaisu
Etuteltan täyttämisen ilmalla on työlästä	<ul style="list-style-type: none"> ▶ Tarkasta, että venttiili on ruuvattu kokonaan ilmatäytteeseen kaareen. ▶ Tarkasta, onko täyttöputki kierteellä venttiilissä. Tämä voi ilmetä äänestä. Kierrä täyttöputki suoraksi. ▶ Tarkasta, että käsipumppu toimii.
Jokin etuteltan osa ei täyty ilmalla tai tyhjene ilmasta	<ul style="list-style-type: none"> ▶ Tarkasta, että kaikki ilmatäytteisiä kaaria yhdistävät eristysventtiilit ovat auki.

Ongelma	Ratkaisu
Ilmatäytteiset kaaret ovat taitteella	<ul style="list-style-type: none"> ▶ Lisää ilmaa (10 psi/0,69 baaria).
Ilmavuoto	<ul style="list-style-type: none"> ▶ Tarkasta, että venttiili on ruuvattu kokonaan ilmatäytteeseen kaareen ja rengastiiviste on paikallaan. ▶ Tarkasta, että venttiilin korkki on tiukasti kiinni. ▶ Etsi reikiä, katso kap. "Ilmatäytteisen kaaren reiän korjaaminen" sivulla 50.
Vesivuoto	<ul style="list-style-type: none"> ▶ Tarkasta, vuotavatko saumat, onko teippauksissa vaurioita ja löytyykö märkiä kohtia. ▶ Jos et löydä vuotoja, katso kap. "Veden tiivistyminen" sivulla 50. ▶ Jos löydät vuotoja, käytä saumatiivistettä.
Kankaassa on repeämä	<ul style="list-style-type: none"> ▶ Korjaa kangas paikkausteipillä. ▶ Anna valtuutetun ammattilaisen tehdä korjaukset.

Veden tiivistyminen

Kaikkiin etutelttoihin tiivistyy kosteutta, jos yksi tai useampi seuraavista oloista ilmenee:

- suuri ilmankosteus
- hyvin kostea maaperä
- lämpötilan äkillinen lasku

Voimakas tiivistyminen voi johtaa veden valumiseen katon sisäpuolella ja tippumiseen solmuista, teipeistä ja muista sisäkiinnityksistä. Tätä voi luulla vuoksi.

- ▶ Lisää tuuletusta avaamalla ovet ja/tai ikkunat.
- ▶ Asenna vesitiivis pohjakangas.

Ilmatäytteisen kaaren reiän korjaaminen

Jos ilmatäytteinen kaari veltostuu, toimi seuraavasti:

1. Avaa ilmatäytteistä kaarta pitävän ulomman suojuksen vetoketju.
2. Sulje eristysventtiilit, jos sellaiset on.
3. Ota ilmatäyteinen kaari pois.
4. Tyhjennä ilmatäyteinen kaari.
5. Avaa suojuksen ilmatäytteisen putken paljastamiseksi.
6. Puhalla ilmatäytteeseen putkeen hieman ilmaa.
7. Upota putki veteen.
8. Paikallista reikä.
9. Käytä reiän paikkaamiseen korjausteippiä ja korjaussarjaa.
10. Sulje ilmatäyteinen putki takaisin suojuksen vetoketjun avulla.
11. Sulje ilmatäyteinen kaari takaisin ulompaan suojukseen.

- ▶ Noudata myös kohdassa kuva **18**, sivulla 7 annettuja ohjeita.

Hävittäminen



- ▶ Vie pakkausmateriaalit mahdollisuuksien mukaan niille tarkoitettuihin kierrätysjäteastioihin.
- ▶ Tiedustele lähimmästä kierrätyskeskuksesta tai erikoisliikkeestä tuotetta koskevia yksityiskohtaisia hävittämistä koskevia ohjeita.

Takuu

Tuotetta koskee lakisääteinen tuotevastuu-aika. Jos tuote on viallinen, ota yhteyttä jälleenmyyjään tai valmistajan toimipisteeseen omassa maassasi (ks. dometic.com/dealer).

Jos lähetät tuotteen korjattavaksi, liitä korjaus- ja takuukäsittelyä varten mukaan seuraavat asiakirjat:

- Kopio kuitista, jossa näkyy ostopäivä
- Valitusperuste tai vikakuvaus

Huomaa, että itse tai väärin tehty korjaus voi vaarantaa turvallisuuden ja johtaa takuun raukeamiseen.

Takuu kattaa valmistusvirheet, materiaalit ja osat. Takuu ei kata suojuksen haalistumista eikä UV-säteilystä johtuvaa kulumista, väärinkäyttöä, vahingoista syntyneitä vaurioita, myrskyvaurioita eikä jatkuvaa, osittain jatkuvaa eikä kaupallista käyttöä. Se ei kata seurannaisvaurioita. Jos sinulla on aihetta valitukseen, ota yhteyttä jälleenmyyjään. Tämä ei rajoita lakisääteisiä oikeuksiasi.

Tekniset tiedot

	Koko 11	Koko 12	Koko 13	Koko 14	Koko 15	Koko 16	Koko 17	Koko 18	Koko 19
Mitat	ks. kuva 1 , sivulla 3								
Liitoskorkeus	2350 – 2500 mm								
Bruttopaino (laatikot 1 ja 2)	38,7 kg / 15,2 kg	39,2 kg / 15,2 kg	39,5 kg / 16,5 kg	40,1 kg / 16,5 kg	43,1 kg / 17,0 kg	43,7 kg / 17,0 kg	46,0 kg / 18,0 kg	46,8 kg / 18,0 kg	47,0 kg / 18,2 kg
Nettopaino	35,3 kg / 13,5 kg	35,8 kg / 13,5 kg	36,2 kg / 14,8 kg	36,7 kg / 14,8 kg	40,0 kg / 15,3 kg	40,5 kg / 15,3 kg	42,8 kg / 16,0 kg	43,4 kg / 16,0 kg	43,4 kg / 16,7 kg

Prosimy o uważne przeczytanie niniejszej instrukcji i przestrzeganie wszystkich zawartych w niej instrukcji postępowania, wskazówek i ostrzeżeń. Pozwoli to zapewnić, że produkt będzie zawsze prawidłowo instalowany, wykorzystywany i konserwowany. Niniejsza instrukcja MUSI przez cały czas pozostawać przy produkcie.

Korzystając z produktu, użytkownik potwierdza uważne przeczytanie wszelkich instrukcji, wskazówek i ostrzeżeń, ich zrozumienie oraz zobowiązanie się przestrzegać zawartych w nich warunków. Użytkownik zobowiązuje się wykorzystywać niniejszy produkt wyłącznie zgodnie z jego przeznaczeniem i zamierzonym zastosowaniem oraz z instrukcjami, wskazówkami i ostrzeżeniami wyszczególnionymi w niniejszej instrukcji produktu, jak również ze wszystkimi mającymi zastosowanie przepisami i regulacjami prawnymi. Nieprzestrzeganie zawartych tu instrukcji i ostrzeżeń może skutkować obrażeniami u użytkownika oraz osób trzecich, uszkodzeniem produktu lub też uszkodzeniem mienia w sąsiedztwie produktu. Zastrzega się możliwość wprowadzania zmian i aktualizacji niniejszej instrukcji produktu, wraz z instrukcjami, wskazówkami i ostrzeżeniami oraz powiązaną dokumentacją. Aktualne informacje dotyczące produktu można zawsze znaleźć na stronie documents.domestic.com, [domestic.com](https://www.domestic.com).



Łącze do filmu „How To Set Up Your Caravan Awning” (jak rozłożyć przedsionek do przyczepy kempingowej)
https://www.youtube.com/watch?v=hokC_gmD0IQ

Objaśnienie symboli



NIEBEZPIECZEŃSTWO!

Wskazówka bezpieczeństwa: Wskazuje niebezpieczną sytuację, która – jeśli się jej nie uniknie – prowadzi do śmierci lub poważnych obrażeń.



OSTRZEŻENIE!

Wskazówka bezpieczeństwa: Wskazuje niebezpieczną sytuację, która – jeśli się jej nie uniknie – może prowadzić do śmierci lub poważnych obrażeń.



OSTROŻNIE!

Wskazówka bezpieczeństwa: Wskazuje niebezpieczną sytuację, która – jeśli się jej nie uniknie – może prowadzić do lekkich lub umiarkowanych obrażeń.



UWAGA!

Wskazuje sytuację, która – jeśli się jej nie uniknie – może prowadzić do powstania szkód materialnych.



WSKAZÓWKA

Dodatkowe informacje dotyczące obsługi produktu.

Wskazówki bezpieczeństwa



NIEBEZPIECZEŃSTWO! Nieprzestrzeganie tych instrukcji może prowadzić do śmierci lub ciężkich obrażeń.

Ryzyko zatrucia tlenkiem węgla

- Nigdy nie używać wewnątrz przedsionka urządzeń spalających paliwo, takich jak grille lub gazowe urządzenia grzewcze. W procesie spalania powstaje tlenek węgla, który gromadzi się wewnątrz przedsionka ze względu na brak przewodu do odprowadzania spalin.



OSTRZEŻENIE! Nieprzestrzeganie tych ostrzeżeń może prowadzić do śmierci lub ciężkich obrażeń.

Ryzyko pożaru

- Nie dopuszczać do kontaktu tkaniny namiotu z jakimikolwiek źródłami płomieni lub wysokich temperatur.
- Zapoznać się z lokalnymi zasadami ochrony przeciwpożarowej.
- Nie gotować wewnątrz przedsionka ani nie używać otwartego płomienia.

Ryzyko uduszenia

- Uważać, aby otwory wentylacyjne były przez cały czas otwarte, aby uniknąć uduszenia.



OSTROŻNIE! Nieprzestrzeganie tych uwag może prowadzić do lekkich lub umiarkowanych obrażeń.

Ryzyko obrażeń

- To urządzenie nie może być używane przez osoby (w tym dzieci) o ograniczonych zdolnościach fizycznych, sensorycznych lub umysłowych, albo przez osoby bez doświadczenia i wiedzy w przypadku braku odpowiedniego nadzoru lub gdy osoba odpowiedzialna za bezpieczeństwo nie poinstruowała użytkowników w zakresie bezpiecznego korzystania z danego urządzenia.
- Dzieci nie mogą bawić się w pobliżu przedsionka. W jego otoczeniu należy nosić obuwie zapewniające odpowiednią ochronę. Odciągi stwarzają ryzyko potknięcia się, a szpilki mogą być ostre.
- Dzieci nie mogą czyścić ani konserwować produktu bez nadzoru.
- Nie zastawiać przejść.

W zestawie

Element	Ilość
Przedsionek	1
Panel przedni	2
Boczny panel	2
Zestaw bawełnianych zasłon	1
Pompa Gale 12 V	1
Osłona przed wiatrem z PVC	1
Pasy sztormowe	2
Opakowanie ze szpilkami	1
Torba transportowa	2
Instrukcja montażu i obsługi	1

Akcesoria

Elementy dostępne jako akcesoria (niedostarczane w zestawie):

Opis	Nr. kat.
Aneks Residence AIR Tall Annexe	9120002142
Wykładzina Continental Carpet Residence	
• Rozmiar 11, 12	9120002286
• Rozmiar 13, 14	9120002221
• Rozmiar 15, 16	9120002223
• Rozmiar 17, 18	9120002225
• Rozmiar 19	9120002287
Panel z siatki Mesh Panel Residence	
• Rozmiar 11	9120002274
• Rozmiar 12	9120002275
• Rozmiar 13	9120002144
• Rozmiar 14	9120002145
• Rozmiar 15	9120002146
• Rozmiar 16	9120002147
• Rozmiar 17	9120002148
• Rozmiar 18	9120002149
• Rozmiar 19	9120002276

Opis	Nr. kat.
Podłoga Footprint Residence	
• Rozmiar 11	9120002277
• Rozmiar 12	9120002278
• Rozmiar 13	9120002151
• Rozmiar 14	9120002152
• Rozmiar 15	9120002153
• Rozmiar 16	9120002154
• Rozmiar 17	9120002155
• Rozmiar 18	9120002156
• Rozmiar 19	9120002279
Słupki do przedsionka Veranda Pole	9120002264
Płytki podstawy Veranda Storm Footplate	9120002157

Użytkowanie zgodne z przeznaczeniem

Przedsionek nadaje się do:

- Przyczep kempingowych
- Użytkowania przy dobrej lub umiarkowanej pogodzie
- Rozbijania na krótki okres
- Rozbijania na cały sezon

Przedsionek **nie** nadaje się do:

- Użytkowania przy bardzo silnym wietrze lub opadach śniegu
- Użytku komercyjnego

Niniejszy produkt jest przystosowany wyłącznie do wykorzystywania zgodnie z jego przeznaczeniem oraz zamierzonym zastosowaniem według niniejszej instrukcji.

Niniejsza instrukcja zawiera informacje, które są niezbędne do prawidłowego montażu i/lub obsługi produktu. Nieprawidłowy montaż i/lub niewłaściwa obsługa lub konserwacja powodują niezadowalające działanie i mogą prowadzić do uszkodzeń.

Producent nie ponosi żadnej odpowiedzialności za ewentualne obrażenia lub uszkodzenia produktu wynikłe z następujących przyczyn:

- Nieprawidłowy montaż lub podłączenie, w tym zbyt wysokie napięcie
- Niewłaściwa konserwacja lub użycie innych części zamiennych niż oryginalne części zamienne dostarczone przez producenta
- Wprowadzanie zmian w produkcie bez wyraźnej zgody producenta
- Użytkowanie w celach innych niż opisane w niniejszej instrukcji obsługi

Firma Dometic zastrzega sobie prawo do zmiany wyglądu i specyfikacji produktu.

Korzystanie z przedsionka



OSTROŻNIE! Ryzyko obrażeń i szkód materialnych

Nigdy nie otwierać zamka błyskawicznego na rękawie ochronnym, gdy nadmuchiwany słupki jest napompowany. Powoduje to bowiem rozerwanie nadmuchiwanego słupka.

Przed pierwszym użyciem

Przed pierwszym użyciem produktu zapoznać się z nim poprzez jego próbne rozłożenie. Sprawdzić, czy w zestawie znajdują się wszystkie elementy.

Wybór lokalizacji

Wybrać płaskie miejsce osłonięte od wiatru:

1. W razie potrzeby zastosować wiatrochron.

2. Wybrać zacienione miejsce, aby zapobiec pogorszeniu właściwości tkaniny w wyniku działania promieniowania UV.
3. Unikać rozkładania pod drzewami, ponieważ spadające gałęzie, żywica itp. mogą uszkodzić produkt.
4. Usunąć ostre kamienie i zanieczyszczenia z wybranej lokalizacji, aby zapobiec uszkodzeniu wykładziny.
5. Ustawić produkt w taki sposób, aby drzwi były skierowane w stronę przeciwną do wiatru.

Rozkładanie przedsionka



OSTROŻNIE! Ryzyko obrażeń i szkód materialnych

- Nie używać żadnych typów sprzężarek przeznaczonych do pompowania opon samochodowych.
- Nadmuchiwane słupki pompować tylko do zielonej strefy manometru na dołączonej pompce ręcznej (10 psi/0,69 bara).



UWAGA! Ryzyko szkód materialnych

- Nie otwierać ani nie zamykać zamków błyskawicznych na siłę.
- W przypadku mocowania przedsionka do wysuwanej markizy podczas pracy należy ją podpierać, aby uniknąć jej nadmiernego obciążenia. Po zamocowaniu przedsionka należy zwinąć wysuwaną markizę, tak aby znalazła się ona w całości w obudowie.



WSKAZÓWKA

- Przedsionek dostarczany jest ze wzmocnionymi szpilkami. Nadają się one do zastosowania w różnych miejscach, ale niektóre rodzaje podłoża mogą wymagać innych, specjalnych szpilek. W razie wątpliwości skonsultować się ze sprzedawcą.
- Szpilki wbijać w ziemię pod kątem 45°, główką skierowaną na zewnątrz przedsionka.
- Każdy odcinek mocować szpilkami w jednej linii ze szwem, od którego on odchodzi.

Podczas ustawiania przedsionka należy pamiętać, że:

- Ilustracje przedstawiają tylko ogólną procedurę rozkładania. Rzeczywisty sposób rozkładania będzie się nieznacznie różnił w zależności od modelu przedsionka.
- Warto poprosić inne osoby o pomoc. Przy większej liczbie osób ustawianie jest łatwiejsze.
- Po rozłożeniu przedsionka skontrolować szpilki w narożnikach i w razie potrzeby ponownie je wbić. Wykładzina wewnątrz powinna być naprężona i mieć prostokątny kształt.
- Odcinki mocować szpilkami w taki sposób, aby przedsionek był naprężony, ale nie odkształcał się.
- Zamocować pasy sztormowe, jeśli są one obecne.
- Od czasu do czasu sprawdzać, czy odcinki są odpowiednio naprężone, i w razie potrzeby wyregulowywać je za pomocą napinaczy.

Przedsionek rozkłada się w następujący sposób:

1. Aby zabezpieczyć przedsionek przed zabrudzeniem i uszkodzeniem, przed jego rozpakowaniem rozłożyć na ziemi wykładzinę lub podłogę.
2. Rozpakować przedsionek.
3. Posegregować i zidentyfikować poszczególne elementy.
4. Rozłożyć przedsionek w zilustrowany sposób (rys. **2**, strona 3 – rys. **17**, strona 7).

Demontaż przedsionka



UWAGA! Ryzyko uszkodzenia

Podczas demontażu przedsionka nie używać siły. W innym wypadku może dojść do uszkodzenia materiału.

1. Usunąć wszelkie zewnętrzne zanieczyszczenia.
2. Zamknąć wszystkie rolety okienne lub zdjąć zasłony.
3. Zamknąć wszystkie drzwi i otwory.
4. Jeśli zainstalowany jest drążek daszka, wypchnąć go z rękawa – nie ciągnąć.
5. Odczepić wszystkie linki i pasy.
6. Usunąć wszystkie szpilki znajdujące się pomiędzy szpilkami narożnymi.
7. Otworzyć zawory na każdym ze słupków.
8. Odczekać do uwolnienia większości powietrza.
9. Usunąć wszystkie szpilki narożne.
10. Złożyć/zwinąć przedsionek w kierunku zaworów, aby wypuścić pozostające powietrze.
11. Po wypuszczeniu powietrza zwinąć przedsionek w taki sposób, aby zmieścił się on w torbie transportowej.
12. Przed zapakowaniem do torby transportowej upewnić się, że wszystkie części są czyste.
13. Jeśli przedsionek jest mokry lub wilgotny, jak najszybciej całkowicie go wysuszyć.

Czyszczenie i konserwacja



UWAGA! Ryzyko uszkodzenia

- Do czyszczenia nie używać ostrych ani twardych przedmiotów lub środków czyszczących.
- Do czyszczenia nie używać środków na bazie alkoholu, chemikaliów, mydła ani detergentów.
- Jak najszybciej usuwać ptasie odchody i żywicę, aby uniknąć trwałego uszkodzenia materiału.

1. W razie potrzeby wyczyścić produkt czystą wodą i miękką szcztotką.
2. Przed każdą podróżą zastosować środek impregnujący w celu zabezpieczenia przed wodą i promieniowaniem UV.

Przechowywanie przedsionka



WSKAZÓWKA

- Całkowicie rozkładać przedsionek do czyszczenia.
- Czyszczenie przeprowadzać w słoneczny dzień, aby materiał mógł całkowicie wyschnąć.

1. Wyczyścić przedsionek.
2. Przed zapakowaniem przedsionka pozostawić go na powietrzu, aby całkowicie wyschnął.
3. Przechowywać w dobrze wentylowanym, suchym miejscu.

Korzystanie ze słupków do przedsionka (opcja)

Długość słupków do przedsionka (akcesoria) można dowolnie regulować, blokując je przez przekręcanie. Drążki można wykorzystywać do następujących celów:

- Drążki pozwalają dodatkowo wzmocnić przedsionek podczas trudnych warunków pogodowych. Przesionek posiada pięć pozycji montażu drążków.
- Drążki można zamontować w poprzek każdego z dwóch otworów okiennych i wieszać na nich pranie.
- Drzwi i okna można owijać o drążki w celu ich częściowego otwarcia i zapewnienia lepszego obiegu powietrza przy dobrej pogodzie.

Usuwanie usterek



WSKAZÓWKA

- Podczas pierwszego kontaktu z wodą na szwach może pojawić się wilgoć. Spowoduje ona spęcznienie nici, które uszczelniały otwory powstałe w trakcie szycia.
- W pełni wyposażony zestaw części zamiennych powinien zawierać następujące elementy:
 - Impregnat
 - Taśma naprawcza i roztwór naprawczy
 - Silikon w sprayu do zamków błyskawicznych
 - Zapasowe szpilki

Problem	Rozwiązanie
Przedsiónek trudno nadmuchuje się	<ul style="list-style-type: none">▶ Sprawdzić, czy zawór jest całkowicie wkręcony w nadmuchiwany słupek.▶ Sprawdzić, czy rurka do pompowania nie jest skręcona przy zaworze. Może wskazywać na to charakterystyczny odgłos. Wyprostować rurkę do pompowania.▶ Sprawdzić, czy pompka ręczna działa.
Część przedsionka nie nadmuchuje się lub nie uchodzi z niej powietrze	<ul style="list-style-type: none">▶ Sprawdzić, czy wszystkie zawory odcinające łączące ze sobą nadmuchiwane słupki są otwarte.
Nadmuchiwane słupki są załamane	<ul style="list-style-type: none">▶ Wpompować więcej powietrza (10 psi/0,69 bara).
Wyciek powietrza	<ul style="list-style-type: none">▶ Sprawdzić, czy zawór jest całkowicie wkręcony w nadmuchiwany słupek i czy uszczelka pierścieniowa jest na swoim miejscu.▶ Sprawdzić, czy korek zaworu jest mocno osadzony.▶ Sprawdzić, czy nie doszło do przebiccia, patrz rozdz. „Naprawianie przebitego nadmuchiwanego słupka” na stronie 54.
Przeciekanie wody	<ul style="list-style-type: none">▶ Sprawdzić, czy nie ma przeciekających szwów, uszkodzonych uszczelnień taśmą lub wilgotnych obszarów.▶ Jeśli nie można znaleźć nieszczelności, patrz rozdz. „Skropliny” na stronie 54.▶ W przypadku zlokalizowania nieszczelności zastosować uszczelniacz do szwów.
Rozdarcie tkaniny	<ul style="list-style-type: none">▶ Uszczelnić tkaninę taśmą naprawczą.▶ Zlecić naprawę autoryzowanemu specjalście.

Skropliny

We wszystkich przedsionkach osadzają się skropliny, gdy występuje co najmniej jeden z poniższych warunków:

- Wysoka wilgotność powietrza
- Wysoka wilgotność podłoża
- Spadek temperatury

Duże ilości skroplin mogą spływać po wewnętrznej stronie dachu i po linach, taśmach oraz innych wewnętrznych elementach, co może zostać błędnie zinterpretowane jako przeciekanie.

- ▶ Zapewnić dodatkową wentylację poprzez otwarcie drzwi i/lub okien.
- ▶ Zastosować wodoodporną wykładzinę.

Naprawianie przebitego nadmuchiwanego słupka

Jeżeli z nadmuchiwanego słupka uchodzi powietrze, postępować w następujący sposób:

1. Otworzyć zamek błyskawiczny zewnętrznego rękawa, w którym znajduje się nadmuchiwany słupek.
2. Jeśli zainstalowane są zawory odcinające, zamknąć je.
3. Wyjąć nadmuchiwany słupek.
4. Wypuścić powietrze z nadmuchiwanego słupka.

5. Otworzyć zamek rękawa ochronnego i odsłonić nadmuchiwaną rurkę.
 6. Wpompować nieco powietrza do nadmuchiwanej rurki.
 7. Zanurzyć rurkę w wodzie.
 8. Zlokalizować przebicie.
 9. Uszczelnić otwór za pomocą taśmy naprawczej i roztworu do naprawiania.
 10. Z powrotem umieścić nadmuchiwaną rurkę w rękawie ochronnym i zamknąć zamek błyskawiczny.
 11. Z powrotem umieścić nadmuchiwany słupek w zewnętrznym rękawie i zamknąć zamek błyskawiczny.
- Przestrzegać również informacji zawartych na rys. **18**, strona 7.

Utylizacja



- Opakowanie należy wyrzucić do odpowiedniego pojemnika na odpady do recyklingu.
- Szczegółowe informacje na temat utylizacji produktu zgodnie z obowiązującymi przepisami można uzyskać w lokalnym zakładzie recyklingu lub u specjalistycznego dystrybutora.

Gwarancja

Obowiązuje ustawowy okres gwarancji. W przypadku stwierdzenia uszkodzenia produktu należy skontaktować się z jego sprzedawcą lub z oddziałem producenta w danym kraju (patrz dometic.com/dealer).

W celu naprawy lub realizacji gwarancji konieczne jest przesłanie wraz z produktem następujących dokumentów:

- Kopii rachunku z datą zakupu
- Informacji o przyczynie reklamacji lub opisu wady

Uwaga: Samodzielne lub nieprofesjonalne wykonywanie napraw może powodować zagrożenia oraz doprowadzić do utraty gwarancji.

Gwarancja obejmuje wady produkcyjne, materiałowe oraz części. Gwarancja nie obejmuje wyblaknięcia zewnętrznej powłoki oraz zużycia w wyniku działania promieniowania ultrafioletowego, nieprawidłowego zastosowania, przypadkowego uszkodzenia, uszkodzeń spowodowanych przez burze lub też ciągłe, częściowo ciągłe lub komercyjne wykorzystywanie. Nie obejmuje ona również szkód następczych. Roszczenia należy zgłaszać do dystrybutora. Powyższe zapisy nie ograniczają uprawnień ustawowych.

Dane techniczne

	Rozmiar 11	Rozmiar 12	Rozmiar 13	Rozmiar 14	Rozmiar 15	Rozmiar 16	Rozmiar 17	Rozmiar 18	Rozmiar 19
Wymiary	patrz rys. 1 , strona 3								
Wysokość połączenia	2350 – 2500 mm								
Masa brutto (pudełka 1 i 2)	38,7 kg / 15,2 kg	39,2 kg / 15,2 kg	39,5 kg / 16,5 kg	40,1 kg / 16,5 kg	43,1 kg / 17,0 kg	43,7 kg / 17,0 kg	46,0 kg / 18,0 kg	46,8 kg / 18,0 kg	47,0 kg / 18,2 kg
Masa netto	35,3 kg / 13,5 kg	35,8 kg / 13,5 kg	36,2 kg / 14,8 kg	36,7 kg / 14,8 kg	40,0 kg / 15,3 kg	40,5 kg / 15,3 kg	42,8 kg / 16,0 kg	43,4 kg / 16,0 kg	43,4 kg / 16,7 kg

Dôkladne si prečítajte tento návod a dodržiavajte všetky pokyny, usmernenia a varovania uvedené v tomto návode k výrobku, aby sa zaručilo, že výrobok sa vždy bude správne inštalovať, používať a udržiavať. Tento návod MUSÍ zostať priložený k výrobku.

Používaním tohto výrobku týmto potvrdzujete, že ste si dôkladne prečítali všetky pokyny, usmernenia a varovania a že rozumiete a súhlasíte s dodržiavaním všetkých uvedených podmienok. Súhlasíte, že tento výrobok budete používať len v súlade so zamýšľaným použitím a v súlade s pokynmi, usmerneniami a varovaniami uvedenými v tomto návode k výrobku, ako aj v súlade so všetkými platnými zákonmi a nariadeniami. V prípade, že si neprečítate a nebudete sa riadiť pokynmi a varovaniami uvedenými v tomto návode, môže mať za následok vaše poranenie alebo poranenie iných osôb, poškodenie vášho výrobku alebo poškodenie majetku v jeho blízkosti. Tento návod k výrobku vrátane pokynov, usmernení a varovaní, a súvisiaca dokumentácia môže podliehať zmenám a aktualizáciám. Najaktuálnejšie informácie o výrobku nájdete na adrese documents.dometic.com, dometic.com.



Pozrite si video „How To Set Up Your Motorhome Static Awning“ (Ako postaviť prístrešok karavanu)
https://www.youtube.com/watch?v=hokC_gmD0IQ

Vysvetlenie symbolov



NEBZPEČENSTVO!

Bezpečnostný pokyn: Označuje nebezpečnú situáciu, ktorej následkom je smrť alebo vážne zranenie, ak sa jej nezabráni.



VÝSTRAHA!

Bezpečnostný pokyn: Označuje nebezpečnú situáciu, ktorej následkom môže byť smrť alebo vážne zranenie, ak sa jej nezabráni.



UPOZORNENIE!

Bezpečnostný pokyn: Označuje nebezpečnú situáciu, ktorej následkom môže byť malé alebo stredne ťažké zranenie, ak sa jej nezabráni.



POZOR!

Označuje situáciu, ktorej následkom môže byť poškodenie majetku, ak sa jej nezabráni.



POZNÁMKA

Doplňkové informácie týkajúce sa obsluhy produktu.

Bezpečnostné pokyny



NEBZPEČENSTVO! Nedodržanie tohto upozornenia bude mať za následok smrť alebo vážne poranenie.

Nebezpečenstvo otravy oxidom uhoľnatým

- Nikdy nepoužívajte spotrebič na plynne alebo kvapalné palivá, ako napríklad BBQ grily či plynové ohrievače vnútri prístrešku. Pri procese spaľovania vzniká oxid uhličitý, ktorý sa akumuluje vnútri prístrešku, keďže tento nemá žiadny vetrací otvor.



VÝSTRAHA! Nedodržanie týchto varovaní môže mať za následok smrť alebo vážne poranenie.

Nebezpečenstvo požiaru

- Všetky zdroje plameňa a tepla držte ďalej od tkaniny tohto stanu.
- Uistite sa, že poznáte protipožiarne opatrenia na mieste.
- Nevarte ani nepoužívajte otvorený plameň vnútri prístrešku.

Nebezpečenstvo udusenía

- Zaistite, aby boli vetracie otvory stále otvorené, aby nedošlo k zaduseniu.



UPOZORNENIE! Nedodržanie týchto upozornení môže mať za následok drobné alebo stredne ťažké poranenie.

Nebezpečenstvo poranenia

- Toto zariadenie nie je určené na používanie osobami (vrátane detí) s obmedzenými fyzickými, zmyslovými alebo duševnými schopnosťami alebo nedostatkom skúsenosti a znalostí, pokiaľ nie sú pod primeraným dohľadom alebo ich osoba, ktorá je zodpovedná za ich bezpečnosť, dôkladne nepoučí o používaní zariadenia.
- Nedovoľte deťom, aby sa hrali v blízkosti prístrešku a postarajte sa, aby nosili vhodnú ochrannú obuv. Napínacie laná predstavujú riziko zakopnutia a kolíky môžu byť ostré.
- Čistenie a bežnú údržbu nesmú deti vykonávať bez dozoru.
- Priechody ponechajte voľné.

Rozsah dodávky

Dielec	Počet
Prístrešok	1
Predný panel	2
Bočný panel	2
Súprava bavlnených závesov	1
12 V čerpadlo Gale	1
PVC lem proti prievanu	1
Silné upínacie popruhy (ako poistka pred búrkou a silným vetrom)	2
Súprava zaistovacích kolíkov	1
Prenosná taška	2
Návod na montáž a uvedenie do prevádzky	1

Príslušenstvo

Dostupné ako príslušenstvo (nie je súčasťou dodávky):

Opis	Č. výr.
Prístavby Residence AIR Tall	9120002142
Koberec Continental Residence	
• Veľkosť 11, 12	9120002286
• Veľkosť 13, 14	9120002221
• Veľkosť 15, 16	9120002223
• Veľkosť 17, 18	9120002225
• Veľkosť 19	9120002287
Panel zo sieťoviny Residence	
• Veľkosť 11	9120002274
• Veľkosť 12	9120002275
• Veľkosť 13	9120002144
• Veľkosť 14	9120002145
• Veľkosť 15	9120002146
• Veľkosť 16	9120002147
• Veľkosť 17	9120002148
• Veľkosť 18	9120002149
• Veľkosť 19	9120002276

Opis	Č. výr.
Základná doska Residence	
• Veľkosť 11	9120002277
• Veľkosť 12	9120002278
• Veľkosť 13	9120002151
• Veľkosť 14	9120002152
• Veľkosť 15	9120002153
• Veľkosť 16	9120002154
• Veľkosť 17	9120002155
• Veľkosť 18	9120002156
• Veľkosť 19	9120002279
Verandová tyč	9120002264
Podstavec na verandovú/búrkovú tyč	9120002157

Používanie v súlade s určením

Tento prístrešok je vhodný pre:

- karavany
- mierne až stredne mierne počasie
- výlety, zájazdy
- vrchol sezóny

Tento prístrešok **nie je** vhodný pre:

- veľmi silný vietor alebo sneženie
- komerčné použitie

Tento výrobok je vhodný iba na zamýšľané použitie a použitie v súlade s týmto návodom.

Tento návod obsahuje informácie, ktoré sú nevyhnutné pre správnu inštaláciu a/alebo obsluhu výrobku. Chybná inštalácia a/alebo nesprávna obsluha či údržba bude mať za následok neuspokojivý výkon a možnú poruchu.

Výrobca nenesie žiadnu zodpovednosť za akékoľvek poranenia či škody na výrobku spôsobené:

- nesprávnou montážou alebo pripojením vrátane nadmerného napätia
- nesprávnou údržbou alebo použitím iných ako originálnych náhradných dielov poskytnutých výrobcom
- zmeny produktu bez výslovného povolenia výrobcu
- použitie na iné účely než na účely opísané v návode

Firma Dometic si vyhradzuje právo na zmenu vzhľadu a technických parametrov výrobku.

Používanie prístrešku



UPOZORNENIE! Nebezpečenstvo poranenia a poškodenia materiálu

Nikdy nerozpínajte zips na ochrannom puzdre, kým je vzduchová tyčka nafúknutá. Spôsobiloby to roztrhnutie vzduchovej tyčky.

Pred prvým použitím

Oboznámte sa s výrobkom tak, že pred prvým použitím ho na skúšku postavíte. Skontrolujte, či je obsah dodávky úplný.

Výber miesta

Vyberte rovné miesto chránené pred vetrom:

1. v prípade potreby použite vetrolam.
2. Vyberte tienisté miesto, aby ste predišli degradácii textílie vplyvom UV žiarenia.

3. Vyhňte sa rozloženiu pod stromami, pretože padajúce vetvy, živica a pod. môžu poškodiť výrobok.
4. Na mieste vyzbierajte ostré kamene a úlomky, aby ste predišli poškodeniu podlažky.
5. Postavte produkt s dverami smerujúcimi od vetra.

Postavenie prístrešku



UPOZORNENIE! Nebezpečenstvo poranenia a poškodenia materiálu

- Nepoužívajte kompresory určené na hustenie pneumatík.
- Vzduchové tyčky nafúknite iba po zelenú zónu ukazovateľa tlaku na dodanej ručnej pumpe (10 psi/0,69 baru).



POZOR! Poškodenie materiálu

- Zipsy nezapínajte ani nerozpínajte hrubou silou.
- Ak sa na pripojenie prístrešku používa rozťahovacia markíza, podprite ju, aby počas práce nebola príliš zaťažená. Po pripojení prístrešku zatiahnite rozťahovaciu markízu úplne do jej puzdra.



POZNÁMKA

- Prístrešok sa dodáva s robustnými zaisťovacími kolíkmi. Tieto sú vhodné pre mnohé podklady, ale pre niektoré druhy podkladov sú potrebné špeciálne kolíky. Informujte sa u predajcu.
- Zarazte kolíky do zeme pod uhlom 45° smerom od prístrešku.
- Zaisťte každé napínacie lano so zaisťovacími kolíkmi zároveň so švom, od ktorého začína.

Pri postavení prístrešku majte na pamäti nasledujúce tipy:

- Obrázky znázorňujú základný prehľad postavenia. V závislosti od modelu prístrešku sa skutočné postavenie môže mierne líšiť.
- Privolajte si pomoc. Postavenie je ľahšie s viacerými osobami.
- Po vztýčení prístrešku skontrolujte rohové zaisťovacie kolíky a v prípade potreby ich nanovo zarazte. Podlažka vo vnútri má byť napnutá a má mať štvorcový tvar.
- Zaisťte napínacie laná zaisťovacími kolíkmi tak, aby prístrešok bol napnutý, ale nedeformovaný.
- Upevnite silné upínacie popruhy na ochranu pred búrkou a silným vetrom, ak sú k dispozícii.
- Napínacie laná občas skontrolujte, či sú dostatočne napnuté. V prípade potreby použite napínače na dodatočné napnutie.

Prístrešok postavte nasledovne:

1. Na ochranu prístrešku pred nečistotami a poškodením, skôr než ho vybalíte, položte na zem podlažku alebo podložku pre markízu.
2. Vybalte prístrešok.
3. Rozdeľte a identifikujte jednotlivé komponenty.
4. Pri postavení prístrešku postupujte podľa obrázkov (obr. **2**, strane 3 až obr. **17**, strane 7).

Demontáž prístrešku



POZOR! Nebezpečenstvo poškodenia

Na demontáž prístrešku nepoužívajte silu. V opačnom prípade môžete poškodiť materiál.

1. Odstráňte všetky nečistoty z vonkajšej strany.
2. Zatvorte všetko okenné rolety alebo odoberte závesy.
3. Zatvorte všetky dvere a otvory.
4. Vytlačte tyčku baldachýnu z puzdra, ak je namontovaná. Neťahajte ju.

- Demontujte všetky laná a popruhy.
- Vyberte všetky kolíky medzi rohovými kolíkmi.
- Otvorte ventily na každej tyči.
- Počkajte, kým unikne väčšina vzduchu.
- Vyberte štyri rohové kolíky.
- Prístrešok zložte/zbaľte smerom k ventilom, aby ste vypustili ešte viac vzduchu.
- Po sfúknutí zbaľte prístrešok tak, aby sa zmestil do prenosnej tašky.
- Ubezpečte sa, že všetky časti sú čisté, skôr než ich zabalíte do prenosnej tašky.
- Ak je prístrešok mokrý alebo vlhký, čo najskôr ho úplne vysušte.

Čistenie a údržba



POZOR! Nebezpečenstvo poškodenia

- Na čistenie nepoužívajte ostré ani tvrdé predmety alebo čistiace prostriedky.
- Na čistenie nepoužívajte materiály na báze alkoholu, chemické prípravky, mydlo a čistiace prostriedky.
- Okamžite odstráňte vtáčí trus a živicu, aby ste predišli trvalému poškodeniu materiálu.

- Ak je to nutné, výrobok očistíte s čistou vodou a mäkkou kefkou.
- Pred každým výletom ošetríte vetrolam s impregnáciou a ochranu proti UV žiareniu.

Skladovanie prístrešku



POZNÁMKA

- Prístrešok úplne rozložte kvôli čisteniu.
- Na čistenie si vyberte slnečný deň, aby sa materiál dôkladne vysušil.

- Očistíte prístrešok.
- Úplne ho vyvetrajte a pred zabalením sa ubezpečte, že prístrešok je kompletne suchý.
- Uskladnite ho na dobre vetranom, suchom mieste.

Použitie verandových tyčí (voliteľné)

Dĺžku voliteľných verandových tyčí (príslušenstvo) je možné úplne nastaviť s poistkami typu Twist-Lock. Tyče je možné použiť v nasledujúcich prípadoch:

- Tyče poskytujú extra pevnosť prístrešku počas nepriaznivého počasia. Prístrešok má päť polôh pre montáž tyčí.
- Tyče je možné namontovať krížom cez dva dverové otvory, čím poskytnú vešiak na sušenie.
- Dvere a okná je možné preložiť cez tyče, čím sa vytvorí otvor pre lepšiu cirkuláciu vzduchu pri peknom počasí.

Odstraňovanie porúch



POZNÁMKA

- Pri prvom kontakte s vodou môžu byť švy trochu navlhnuté. Vplyvom tejto vlhkosti vlákna zväčšia svoj objem a vyplnia otvory vytvorené pri šití.
- Kompletná súprava náhradných dielov musí obsahovať:
 - impregnačný prostriedok,
 - pásku a roztok na opravu,
 - silikónový sprej na zipsy,
 - náhradné zaistovacie kolíky.

Problém	Riešenie
Prístrešok sa nafúkne iba sťažka	<ul style="list-style-type: none"> Skontrolujte, či je ventil úplne zakrútený do vzduchovej tyčky. Skontrolujte, či je nafukovacia trubica skrútená na ventil. To môže byť signalizované zvukom. Rozkrúťte nafukovaciu trubicu. Skontrolujte, či ručná pumpa funguje.
Časť prístrešku sa nenafúkne alebo nevufúkne	<ul style="list-style-type: none"> Skontrolujte, či všetky poistné ventily, ktoré spájajú vzduchové tyčky, sú otvorené.
Vzduchové tyčky sú zalomené	<ul style="list-style-type: none"> Pridajte viac vzduchu (10 psi/0,69 baru).
Unikanie vzduchu	<ul style="list-style-type: none"> Skontrolujte, či je ventil úplne zakrútený do vzduchovej tyčky a tesniaci krúžok je na svojom mieste. Skontrolujte, či je uzáver ventilu tesne zatvorený. Skontrolujte, či nedošlo k prepichnutiu, pozrite si kap. „Oprava prepichnutej vzduchovej tyčky“ na strane 58.
Presakovanie vody	<ul style="list-style-type: none"> Skontrolujte na netesné švy, poškodené pripojenia a vlhké miesta. Ak nedokáže nájsť žiadne netesné body, pozrite si kap. „Kondenzácia“ na strane 58. Ak nájdete netesné body, aplikujte tesniacu hmotu na švy.
Trhlina v textílii	<ul style="list-style-type: none"> Použite opravnú pásku na utesnenie textílie. Opravy prenechajte kvalifikovanému odborníkovi.

Kondenzácia

Pri všetkých prístreškoch dochádza k vnútornej tvorbe kondenzácie, ak sa vyskytne jedna alebo viacero nasledujúcich podmienok:

- vysoká vlhkosť vzduchu
- vysoká vlhkosť v zemi
- pokles teploty

Pri výraznej tvorbe kondenzácie môže táto stekať po vnútornej strane strechy a odkvapkávať zo šnúr, pásiak a iných vnútorných prvkov a chybné sa považovať za netesnosť.

- Zlepšite vetranie otvorením dverí a/alebo okien.
- Umiestnite vodotesnú podlažku.

Oprava prepichnutej vzduchovej tyčky

Ak zo vzduchovej tyčky uniká vzduch, postupujte nasledujúcim spôsobom:

- Odzipsujte vonkajšie puzdro, ktoré drží vzduchovú tyčku.
 - Zatvorte poistné ventily, ak sú namontované.
 - Odoberte vzduchovú tyčku.
 - Vyfúknite vzduchovú tyčku.
 - Odzipsujte ochranné puzdro pre odkrytie nafukovacej trubice.
 - Nafukovaciu trubicu trochu nafúknite.
 - Ponorte trubicu do vody.
 - Nájdite miesto prepichnutia.
 - Použite pásku a roztok na opravu na utesnenie prepichnutia.
 - Nafukovaciu trubicu zazipsujte späť do ochranného puzdra.
 - Vzduchovú tyčku zazipsujte späť do vonkajšieho puzdra.
- Tiež sa riadte informáciami uvedenými v obr. 18, strane 7.

Likvidácia



- Obalový materiál dávajte podľa možnosti do príslušného recyklovateľného odpadu.
- Informujte sa v najbližšom recyklačnom stredisku alebo u vášho špecializovaného predajcu o likvidácii výrobku v súlade s príslušnými predpismi týkajúcimi sa likvidácie.

Záruka

Platí zákonom stanovená záručná lehota. Ak je výrobok poškodený, obráťte sa na svojho predajcu alebo pobočku výrobcu vo svojej krajine (pozri dometic.com/dealer).

Ak žiadate o vybavenie opravy alebo nárokov vyplývajúcich zo záruky, k zaslanému produktu musíte priložiť nasledujúce dokumenty:

- Kópiu faktúry s dátumom kúpy,
- Dôvod reklamácie alebo opis chyby.

Upozorňujeme Vás, že samooprava alebo neodborná oprava môže mať za následok ohrozenie bezpečnosti a zánik záruky.

Záruka sa vzťahuje na výrobné chyby, materiály a diely. Záruka sa nevzťahuje na blednutie krytu a opotrebenie spôsobené UV žiarením, nesprávne použitie, náhodné poškodenie, poškodenie pri búrke, alebo trvalé, polotrvalé alebo komerčné použitie. Nevzťahuje na žiadne škody z toho vyplývajúce. V prípade nárokov sa obráťte na svojho predajcu. Toto nemá vplyv na vaše zákonné práva.

Technické údaje

	Vel'kosť 11	Vel'kosť 12	Vel'kosť 13	Vel'kosť 14	Vel'kosť 15	Vel'kosť 16	Vel'kosť 17	Vel'kosť 18	Vel'kosť 19
Rozmery	pozri obr. 1 , strane 3								
Výška spojenia	2350 – 2500 mm								
Hmotnosť brutto (krabica 1 a 2)	38,7 kg/ 15,2 kg	39,2 kg/ 15,2 kg	39,5 kg/ 16,5 kg	40,1 kg/ 16,5 kg	43,1 kg/ 17,0 kg	43,7 kg/ 17,0 kg	46,0 kg/ 18,0 kg	46,8 kg/ 18,0 kg	47,0 kg/ 18,2 kg
Hmotnosť netto	35,3 kg/ 13,5 kg	35,8 kg/ 13,5 kg	36,2 kg/ 14,8 kg	36,7 kg/ 14,8 kg	40,0 kg/ 15,3 kg	40,5 kg/ 15,3 kg	42,8 kg/ 16,0 kg	43,4 kg/ 16,0 kg	43,4 kg/ 16,7 kg

Pečlivě si prosím přečtěte a dodržujte všechny pokyny, směrnice a varování obsažené v tomto návodu k výrobku, abyste měli jistotu, že výrobek budete vždy správně instalovat, používat a udržovat. Tyto pokyny MUSÍ být uchovávány v blízkosti výrobku.

Používáním výrobku tímto potvrzujete, že jste si pečlivě přečetli všechny pokyny, směrnice a varování a že rozumíte podmínkám uvedeným v tomto dokumentu a souhlasíte s nimi. Souhlasíte s používáním tohoto výrobku pouze k určenému účelu a použití a v souladu s pokyny, směrnice a varováními uvedenými v tomto návodu k výrobku a v souladu se všemi příslušnými zákony a předpisy. Pokud si nepřečtete a nebudete dodržovat zde uvedené pokyny a varování, může to vést ke zranění vás i ostatních, poškození vašeho výrobku nebo poškození jiného majetku v okolí. Tento návod k výrobku, včetně pokynů, směrnic a varování a související dokumentace může být předmětem změn a aktualizací. Aktuální informace o výrobku naleznete na documents.dometic.com, dometic.com.



Video „How To Set Up Your Caravan Awning“ (Jak si postavit předstan pro karavan) najdete na adrese https://www.youtube.com/watch?v=hokC_gmD0IQ

Vysvětlení symbolů



NEBEZPEČÍ!

Bezpečnostní pokyn: Označuje nebezpečnou situaci, která, pokud se jí nezabrání, bude mít za následek smrt nebo vážné zranění.



VÝSTRAHA!

Bezpečnostní pokyn: Označuje nebezpečnou situaci, která, pokud se jí nezabrání, může mít za následek smrt nebo vážné zranění.



UPOZORNĚNÍ!

Bezpečnostní pokyn: Označuje nebezpečnou situaci, která, pokud se jí nezabrání, může mít za následek lehké nebo středně těžké zranění.



POZOR!

Označuje nebezpečnou situaci, která, pokud se jí nezabrání, může mít za následek majetkové škody.



POZNÁMKA

Doplňující informace týkající se obsluhy výrobku.

Bezpečnostní pokyny



NEBEZPEČÍ! Nedodržení tohoto pokynu bude mít za následek smrt nebo vážné zranění.

Nebezpečí otravy oxidem uhelnatým

- Uvnitř předstanu nikdy nepoužívejte přístroje na spalování paliva, jako jsou grily nebo plynové ohřívače. Při spalování vzniká oxid uhelnatý, který se hromadí uvnitř předstanu, protože v ní není komín.



VÝSTRAHA! Nedodržení těchto varování by mohlo mít za následek smrt nebo vážné zranění.

Nebezpečí požáru

- Udržujte všechny zdroje plamene a tepla mimo tuto stanovou tkaninu.
- Ujistěte se, že znáte protipožární opatření na místě.
- Uvnitř předstanu nevařte ani nepoužívejte otevřené plameny.

Nebezpečí udušení

- Zajistěte, aby byly větrací otvory stále otevřené, aby nedošlo k udušení.



UPOZORNĚNÍ! Nedodržení těchto upozornění by mohlo mít za následek lehké nebo střední zranění.

Riziko zranění

- Tento přístroj není určen k používání osobami (včetně dětí) s omezenými fyzickými, sensorickými nebo duševními schopnostmi, nebo osobami s nedostatkem zkušeností a vědomostí, pokud není zajištěn přiměřený dozor nebo návod k použití přístroje osobou, která je odpovědná za bezpečnost těchto osob.
- Nedovolte dětem hrát si kolem předstanu a zajistěte, aby byla používána vhodná ochranná obuv. Kotevní lana jsou spojena s nebezpečím zakopnutí a kolíky mohou být ostré.
- Čištění a běžnou údržbu nesmějí provádět děti bez dozoru.
- Udržujte volné průchody.

Obsah dodávky

Součást	Množství
Předstan	1
Přední panel	2
Boční panel	2
Sada bavlněných závěsů	1
Pumpa Gale 12 V	1
Zábrana proti průvanu z PVC	1
Pásky proti bouři	2
Svazek kolíků	1
Převážná taška	2
Návod k montáži a obsluze	1

Příslušenství

Dostupné jako příslušenství (není součástí dodávky):

Popis	Č. výr.
Přístavek „Residence AIR Tall Annexe“	9120002142
Koberec „Continental Carpet Residence“	
• Velikost 11, 12	9120002286
• Velikost 13, 14	9120002221
• Velikost 15, 16	9120002223
• Velikost 17, 18	9120002225
• Velikost 19	9120002287
Síťový panel Residence	
• Velikost 11	9120002274
• Velikost 12	9120002275
• Velikost 13	9120002144
• Velikost 14	9120002145
• Velikost 15	9120002146
• Velikost 16	9120002147
• Velikost 17	9120002148
• Velikost 18	9120002149
• Velikost 19	9120002276
Ochranná podložka Residence	
• Velikost 11	9120002277
• Velikost 12	9120002278

Popis	Č. výr.
• Velikost 13	9120002151
• Velikost 14	9120002152
• Velikost 15	9120002153
• Velikost 16	9120002154
• Velikost 17	9120002155
• Velikost 18	9120002156
• Velikost 19	9120002279
Verandová tyč	9120002264
Verandová bouřková základna	9120002157

Použití v souladu s účelem

Tento předstan je vhodný pro:

- Karavany.
- Jasně až mírně oblačné počasí,
- Turistiku.
- Sezónní kempování.

Tento předstan **není** vhodný pro:

- Velmi silný vítr nebo sněžení,
- Komerční použití

Tento výrobek je vhodný pouze k určenému účelu a použití v souladu s tímto návodem.

Tento návod poskytuje informace, které jsou nezbytné pro řádnou instalaci a/nebo provoz výrobku. Nedostatečná instalace a/nebo nesprávný provoz či údržba povedou k neuspokojivému výkonu a možné závadě.

Výrobce nepřijímá žádnou odpovědnost za jakékoli zranění nebo poškození výrobku vyplývající z následujícího:

- Nesprávné sestavení nebo připojení včetně nadměrného napětí
- Nesprávná údržba nebo použití jiných náhradních dílů než původních dílů dodaných výrobcem
- Změna výrobku bez výslovného souhlasu výrobce
- Použití k jiným účelům, než jsou popsány v tomto návodu

Společnost Dometic si vyhrazuje právo změnit vzhled a specifikace výrobku.

Používání předstanu



UPOZORNĚNÍ! Riziko zranění a hmotné škody

Zip na ochranném pouzdru nikdy neotevírejte při nafukování nafukovací tyče. To bude mít za následek prasknutí nafukovací tyče.

Před prvním použitím

Před prvním použitím se s výrobkem obeznáte tak, že provedete jeho první zkušební stavění. Zkontrolujte, zda je dodávka kompletní.

Výběr místa

Vyberte ploché místo chráněné před větrem:

1. Vpřípadě potřeby použijte protivětrnou zástěnu.
2. Vyberte místo ve stínu, abyste zabránili degradaci tkaniny působením UV záření.
3. Vyvarujte se stavění zástěny pod stromy, protože padající větve, prskyřice atd. mohou výrobek poškodit.
4. Z místa odstraňte ostré kameny a nečistoty, aby nedošlo k poškození podlahy.
5. Výrobek postavte dvěma odvrácenými od směru větru.

Stavění předstanu



UPOZORNĚNÍ! Riziko zranění a hmotné škody

- Nepoužívejte žádné kompresory určené k huštění pneumatik automobilů.
- Nafukovací tyče nafoukněte pouze do zelené oblasti na manometru dodané ruční pumpy (10 psi/0,69 bar).



POZOR! Hmotná škoda

- Zip neotevírejte ani nezavírejte nadměrnou silou.
- Pokud se k připevnění předstanu používá rolovací markýza, podepřete ji, aby během práce nebyla příliš zatěžována. Po připevnění předstanu naviňte rolovací markýzu zcela zpět do jejího pouzdra.



POZNÁMKA

- Předstan se dodává s kolíky pro vysokou zátěž. Tyto kolíky jsou vhodné pro mnoho míst, ale pro některé druhy podkladu jsou zapotřebí speciální kolíky. Zeptejte se svého prodejce.
- Kolíky zarazte do země pod úhlem 45° od předstanu.
- Každé kotevní lano zarovnejte se švem, ze kterého lano vychází, a zajistěte kolíky.

Při stavění předstanu mějte na paměti následující tipy:

- Obrázky poskytují obecný přehled o stavění. Skutečné stavění se bude mírně lišit podle modelu předstanu.
- Přivolejte si pomocníka. Stavění více osobami je snazší.
- Po postavení předstanu do vzpřímené polohy zkontrolujte rohové kolíky a v případě potřeby je znovu zajistěte. Podlážka na vnitřní straně by měla být napnutá a měla by mít obdélníkový tvar.
- Kotevní lana zajistěte kolíky tak, aby předstan byl napnutý, aniž by došlo k narušení tvaru.
- Jsou-li k dispozici, připevňte pásy proti bouři.
- Kotevní lana čas od času kontrolujte, abyste zajistili jejich dostatečné napnutí, v případě potřeby použijte k nastavení jezdce.

Předstan postavte takto:

1. Abyste předstan chránili před nečistotami a poškozením, před vybalením pod něj položte podlahku nebo ochrannou podložku.
2. Předstan vybalte.
3. Seznamte se s jednotlivými součástmi.
4. Postupujte podle postupu stavění předstanu (obr. 2, strana 3 – obr. 17, strana 7).

Demontáž předstanu



POZOR! Nebezpečí poškození

Při demontáži předstanu nevyvíjejte nadměrnou sílu. Jinak se materiál může poškodit.

1. Odstraňte vnější nečistoty.
2. Stáhněte všechny okenní rolety nebo odstraňte závěsy.
3. Zavřete všechny dveře a otvory.
4. Pokud je nainstalována, vytlačte tyč stříšky z pouzdra, netahejte za ni.
5. Odstraňte všechna lana a pásy.
6. Odstraňte všechny kolíky mezi rohovými kolíky.
7. Otevřete ventil na každé tyči.
8. Počkejte, až se vypustí převážné množství vzduchu.
9. Odstraňte čtyři rohové kolíky.
10. Složte/srolujte předstan směrem k ventilům, aby se vypustilo více vzduchu.
11. Po vypuštění předstan srolujte, aby se vešel do přepravní tašky.

12. Před zabalením do přepravní tašky se ujistěte, že jsou všechny části čisté.
13. Pokud je předstan mokry nebo vlhký, co nejdříve jej úplně vysušte.

Čištění a péče



POZOR! Nebezpečí poškození

- K čištění nepoužívejte žádné ostré nebo tvrdé předměty ani čisticí prostředky.
- K čištění nepoužívejte materiály na bázi alkoholu, chemikálie, mýdlo a mycí prostředky.
- Co nejdříve odstraňte ptačí trus a stromovou pryskyřici, aby nedošlo k trvalému poškození materiálu.

1. V případě potřeby výrobek očistěte čistou vodou a měkkým kartáčem.
2. Před každou cestou naneste impregnaci proti vodě a UV záření.

Skladování předstanu



POZNÁMKA

- Předstan pro čištění zcela postavte.
- Pro čištění si vyberte slunečný den, abyste zajistili důkladné vyschnutí materiálu.

1. Předstan očistěte.
2. Před zabalením předstan plně větrejte a zajistěte, aby byl zcela suchý.
3. Skladujte na dobře větraném a suchém místě.

Použití verandových tyčí (volitelné)

Délka verandových tyčí (příslušenství) je plně nastavitelná pomocí otočných uzávěrů. Tyto tyče lze použít k následujícím účelům:

- Tyčemi lze zpevnit předstan při velmi nepříznivém počasí. Na předstanu je pět míst k připevnění tyčí.
- Tyče lze upevnit přes dvojici dveřních otvorů a získat tak věšák na sušení věcí.
- Dveře a okna je možné přehodit přes tyče a vytvořit tak otvor umožňující lepší cirkulaci vzduchu při pěkném počasí.

Odstraňování poruch a závad



POZNÁMKA

- Při prvním vystavení vodě může být ve švech určitá vlhkost. Z důvodu této vlhkosti budou vlákna bobtnat a vyplní otvory, které byly vytvořeny při šití.
- Plně vybavená sada náhradních dílů by měla obsahovat:
 - vodoodpudivý sprej,
 - záplatovou pásku a opravný roztok,
 - silikonový sprej na zipy,
 - náhradní kolíky.

Problém	Náprava
Předstan lze nafuknout jen obtížně	<ul style="list-style-type: none"> ▶ Zkontrolujte, zda je ventil zcela zašroubován do nafukovací tyče. ▶ Zkontrolujte, zda je nafukovací trubka u ventilu zkroucená. To může být signalizováno hlukem. Vyrovnajte nafukovací trubku. ▶ Zkontrolujte, zda je ruční pumpa funkční.
Část předstanu nelze nafouknout nebo vyfouknout	▶ Zkontrolujte, zda jsou otevřené všechny uzavírací ventily, které spojují nafukovací tyče.
Nafukovací tyče jsou zalomené	▶ Přidejte více vzduchu (10 psi/0,69 bar).

Problém	Náprava
Únik vzduchu	<ul style="list-style-type: none"> ▶ Zkontrolujte, zda je ventil zcela zašroubován do nafukovací tyče a těsnicí kroužek je nasazen. ▶ Zkontrolujte, zda je krytka ventilu pevně utažená. ▶ Zkontrolujte případné propíchnutí, viz kap. „Oprava díry v nafukovací tyči“ na straně 62.
Únik vody	<ul style="list-style-type: none"> ▶ Zkontrolujte těsnost švů, poškození pásek a vlhká místa. ▶ Pokud nelze žádné úniky najít, viz kap. „Kondenzát“ na straně 62. ▶ Pokud zjistíte nějaké úniky, naneste těsnicí hmotu.
Trhlina v plachtě	<ul style="list-style-type: none"> ▶ K utěsnění plachty použijte záplatovou pásku. ▶ Opravy svěřte autorizovanému odborníkovi.

Kondenzát

Všechny předstany jsou vystaveny vnitřnímu kondenzátu, pokud platí jedna nebo více následujících podmínek:

- vysoká vlhkost vzduchu,
- vysoká vlhkost půdy,
- pokles teploty.

Silný kondenzát může stékat po vnitřní straně střechy a odkapávat z pásků, pásek a jiných vnitřních prvků a být zaměněn za únik.

- ▶ Zvyšte větrání otevřením dveří a/ nebo oken.
- ▶ Instalujte vodotěsnou podlahku.

Oprava díry v nafukovací tyči

Pokud z nafukovací tyče uniká vzduch, postupujte takto:

1. Odepněte vnější pouzdro, které nafukovací tyč přidržuje.
 2. Zavřete uzavírací ventily, jsou-li namontovány.
 3. Sejměte nafukovací tyč.
 4. Vypustěte nafukovací tyč.
 5. Odepněte ochranné pouzdro, abyste měli přístup k nafukovací trubce.
 6. Do nafukovací trubky foukněte trochu vzduchu.
 7. Ponořte trubku do vody.
 8. Vyhledejte díru.
 9. Díru uzavřete pomocí záplatové pásky a opravného roztoku.
 10. Nafukovací trubku zapněte na zip zpět do ochranného pouzdra.
 11. Nafukovací tyč zapněte na zip zpět do vnějšího pouzdra.
- ▶ Řiďte se také informacemi uvedenými na obr. 18, strana 7.

Likvidace



- ▶ Obalový materiál likvidujte v odpadu určeném k recyklaci.
- ▶ Informace o likvidaci výrobku v souladu s platnými předpisy pro likvidaci vám sdělí místní recyklační středisko nebo specializovaný prodejce.

Záruka

Na výrobek je poskytována záruka v souladu s platnými zákony. Pokud je výrobek vadný, obraťte se na svého prodejce nebo na pobočku výrobce ve vaší zemi (viz dometic.com/dealer).

K vyřízení opravy a záruky nezapomeňte spolu s výrobkem odeslat následující dokumenty:

- Kopii účtenky s datem zakoupení,
- Uvedení důvodu reklamace nebo popis vady.

Upozorňujeme, že oprava svépomocí nebo neodborná oprava může ohrozit bezpečnost a vést ke ztrátě záruky.

Záruka se vztahuje na výrobní vady, materiály a díly. Záruka se nevztahuje na vyblednutí krytu a opotřebení způsobené UV zářením, nesprávným použitím, náhodným poškozením, poškozením bouří nebo trvalým, polotrvalým nebo komerčním použitím. Nevztahuje se na žádné následné škody. Pro reklamaci se prosím obraťte na svého prodejce. Tím nejsou dotčena vaše zákonná práva.

Technické údaje

	Velikost 11	Velikost 12	Velikost 13	Velikost 14	Velikost 15	Velikost 16	Velikost 17	Velikost 18	Velikost 19
Rozměry	viz obr. 1 , strana 3								
Spojovací výška	2350 – 2500 mm								
Hrubá hmotnost (box 1 a 2)	38,7 kg/ 15,2 kg	39,2 kg/ 15,2 kg	39,5 kg/ 16,5 kg	40,1 kg/ 16,5 kg	43,1 kg/ 17,0 kg	43,7 kg/ 17,0 kg	46,0 kg/ 18,0 kg	46,8 kg/ 18,0 kg	47,0 kg/ 18,2 kg
Čistá hmotnost	35,3 kg/ 13,5 kg	35,8 kg/ 13,5 kg	36,2 kg/ 14,8 kg	36,7 kg/ 14,8 kg	40,0 kg/ 15,3 kg	40,5 kg/ 15,3 kg	42,8 kg/ 16,0 kg	43,4 kg/ 16,0 kg	43,4 kg/ 16,7 kg

A termék mindenkor szakszerű telepítése, használata és karbantartása érdekében kérjük figyelmesen olvassa el az ebben a termék kézikönyvben található utasításokat, irányelveket és figyelmeztetéseket, valamint mindig tartsa be ezeket. Ezt az útmutatót a termék közelében KELL tartani.

A termék használatba vételével Ön kijelenti hogy figyelmesen elolvasta az összes utasítást, irányelvet és figyelmeztetést, valamint megértette és elfogadja az itt leírt szerződési feltételeket. Ön elfogadja, hogy kizárólag a rendeltetésének megfelelő célra és a jelen termék kézikönyvben leírt útmutatásoknak, irányelveknek és figyelmeztetéseknek, valamint a hatályos törvényeknek és szabályozásoknak megfelelően használja ezt a terméket. Az itt leírt utasítások és figyelmeztetések elolvasásának és betartásának elmulasztása saját és mások sérüléséhez, a termék vagy a közelben található más anyagi javak károsodásához vezethet. Ez a termék kézikönyv és a benne található utasítások, irányelvek és figyelmeztetések, valamint a kapcsolódó dokumentációk módosulhatnak és frissülhetnek. Naprakész termékinformációk érdekében kérjük látogasson el a következő honlapra: documents.dometic.com, dometic.com.



Tekintse meg a „How To Set Up Your Caravan Awning” videót:
https://www.youtube.com/watch?v=hokC_gmD0IQ

Szimbólumok magyarázata



VESZÉLY!

Biztonsági útmutatás: Veszélyes helyzetet jelöl, amely súlyos sérülést vagy halált okoz, ha nem kerülik el.



FIGYELMEZTETÉS!

Biztonsági útmutatás: Veszélyes helyzetet jelöl, amely súlyos sérülést vagy halált okozhat, ha nem kerülik el.



VIGYÁZAT!

Biztonsági útmutatás: Veszélyes helyzetet jelöl, amely könnyű vagy mérsékelt sérülést okozhat, ha nem kerülik el.



FIGYELEM!

Olyan helyzetet jelöl, amely vagyoni kárt okozhat, ha nem kerülik el.



MEGJEGYZÉS

A termék kezelésére vonatkozó kiegészítő információk.

Biztonsági útmutatások



VESZÉLY! Ennek az útmutatásnak a figyelmen kívül hagyása súlyos vagy halálos sérüléshez vezet.

Szénmonoxid mérgezés veszélye

- Az elősátor közelében tilos üzemanyagot égető készülékeket, például grillezőket, vagy gázmelegítőket alkalmazni. Az égés szénmonoxidot termel, amely mivel nincs légmozgás, felhalmozódik az elősátorban.



FIGYELMEZTETÉS! Ezeknek a figyelmeztetéseknek a figyelmen kívül hagyása súlyos, vagy halálos sérüléshez vezethet.

Tűzveszély

- Tartson távol minden lángot és hőforrást a sátoranyagtól.
- Ismerje meg a helyszíni tűzvédelmi intézkedéseket.
- Az elősátorban tilos főzni, vagy nyílt lángot használni.

Fulladásveszély

- A fulladás elkerülése érdekében biztosítsa, hogy a szellőzőnyílások mindig nyitva legyenek.



VIGYÁZAT! Ezeknek a felhívásoknak a figyelmen kívül hagyása könnyű vagy mérsékelt sérüléshez vezethet.

Sérülés kockázata

- A készüléket korlátozott testi, szellemi, illetve érzékelési képességgel rendelkező (gyermeket is beleértve), illetve a készülékek használatához szükséges gyakorlat vagy tudás híján lévő személyek nem használják, kivéve, ha használata közben egy felelős személy felügyeli a biztonságukat, illetőleg az ő útmutatása alapján használják a készüléket.

- Ne hagyja, hogy a gyermekek az elősátor körül játsszanak és biztosítsa, hogy védőcipőt viseljenek. A kifeszítő kötelek botlásveszélyt okoznak, a csapok pedig hegyesek lehetnek.
- A tisztítást és a felhasználói karbantartást gyermekek felügyelet nélkül nem végezhetik.
- Tartsa szabadon a közlekedési utakat.

A csomag tartalma

Szerkezeti elem	Mennyiség
Elősátor	1
Első panel	2
Oldalsó panel	2
Pamut függönykészlet	1
Gale 12 V szivattyú	1
PVC szélfogó szoknya	1
Vihar hevederek	2
Csap csomag	1
Hordozótáska	2
Szerelési és használati útmutató	1

Tartozékok

Tartozékként kapható (nincs mellékelve):

Leírás	Cikksz.
Residence AIR magas oldalfülke	9120002142
Continental Residence szőnyeg	
• 11, 12 méret	9120002286
• 13, 14 méret	9120002221
• 15, 16 méret	9120002223
• 17, 18 méret	9120002225
• Méret: 19	9120002287
Residence hálós panel	
• Méret: 11	9120002274
• Méret: 12	9120002275
• Méret: 13	9120002144
• Méret: 14	9120002145
• Méret: 15	9120002146
• Méret: 16	9120002147
• Méret: 17	9120002148
• Méret: 18	9120002149
• Méret: 19	9120002276
Residence alátétfólia	
• Méret: 11	9120002277
• Méret: 12	9120002278
• Méret: 13	9120002151
• Méret: 14	9120002152
• Méret: 15	9120002153
• Méret: 16	9120002154
• Méret: 17	9120002155
• Méret: 18	9120002156
• Méret: 19	9120002279

Leírás	Cikksz.
Veranda oszlop	9120002264
Veranda vihar láblemez	9120002157

Rendeltetészerű használat

Ez az elősátor a következőkhöz alkalmas:

- Lakókocsi
- Nyugodt és mérsékleten nyugodt időjárás
- Túrázás
- Egész évszakos felállítás

Ez az elősátor a következőkhöz **nem** alkalmas:

- Igen erős szelek vagy hóesés
- Kereskedelmi célú használatra

Ez a termék az itt leírt utasításoknak megfelelő rendeltetészerű használatra alkalmas.

Ez a kézikönyv olyan információkat nyújt, amelyek a termék szakszerű telepítéséhez és/vagy üzemeltetéséhez szükségesek. A hibás telepítés és/vagy a szakszerűtlen üzemeltetés vagy karbantartás elégtelen teljesítményhez és potenciálisan meghibásodáshoz vezethet.

A gyártó nem vállal felelősséget a termék olyan károsodásáért, vagy sérülésekért, amelyek a következőkre vezethetők vissza:

- Hibás összeszerelés vagy csatlakoztatás, ideértve a túlfeszültséget is
- Helytelen karbantartás, vagy a gyártó által szállított eredeti cserealkatrészekről eltérő cserealkatrészek használata
- A termék kifejezett gyártói engedély nélküli módosítása
- Az útmutatóban leírt céloktól eltérő felhasználás

A Dometic fenntartja a termék megjelenésének és specifikációjának módosítására vonatkozó jogát.

Az elősátor használata



VIGYÁZAT! Sérülésveszély és anyagi kár

Amíg egy levegőrúd fel van fújva, tilos kinyitni a védőtokon lévő cipzárt. Ez a levegőrúd felrepedéséhez vezet.

Az első használat előtt

Mielőtt először használná a terméket, egy próbafelállítás végrehajtásával ismerkedjen meg a termékkel. Ellenőrizze a kiszállított csomag hiánytalan-ságát.

Terület kiválasztása

Szélről védett sík területet válasszon ki:

1. szükség esetén használjon szélfogót.
2. A szövet UV általi roncsolásának elkerülése érdekében árnyékos területet válasszon ki.
3. Kerülje a fák alatti felállítást, mivel a leeső ágak, a gyanta, stb. kárt tehetnek a termékben.
4. A sátoraljzat sérülésének elkerülése érdekében tisztítsa meg a területet az éles kövektől és a hulladékoktól.
5. Úgy állítsa fel a terméket, hogy az ajtók a széllel ellentétes oldal felé nézzenek.

Az elősátor felállítása



VIGYÁZAT! Sérülésveszély és anyagi kár

- Ne alkalmazzon autókerekek felfújására tervezett kompresszor típusokat.
- A levegőrudakat csak a mellékelt kézi pumpa nyomásmérő műszerének zöld zónájában lévő nyomással fújja fel (10 psi/0,69 bar).



FIGYELEM! Anyagi kár

- Erővel tilos nyitni vagy zárni a cipzárat.
- Ha az elősátor csatlakoztatásához kitekerhető előtetőt használ, a túl nagy erőhatások megelőzése érdekében a munka közben támassza alá a kitekerhető előtetőt. Az elősátor csatlakoztatása után tekerje be teljesen a kitekerhető előtetőt a tokjába.



MEGJEGYZÉS

- Az elősátor csomagjában nagy teherbírású csapok találhatóak. Ezek számos területhez alkalmasak, de bizonyos talajtípusokhoz speciális csapokra van szükség. Kérje ki kereskedője tanácsát.
- A csapokat az elősátorhoz képest 45°-os szögben elfelé hajtsa bele a talajba.
- Állítson be minden egyes kifeszítő kötelet ahhoz a varrat-hoz, ahonnan az kiindul.

Az elősátor felállítása során vegye figyelembe a következő tanácsokat:

- Az ábrák általános áttekintés biztosítanak a felállításhoz. A tényleges felállítás az elősátor modelljétől függően némileg eltérő lehet.
- Kérjen segítséget. Több emberrel egyszerűbb a felállítás.
- Miután függőleges helyzetbe állította az elősátort, ellenőrizze a sarokcsapokat és szükség esetén ismét üsse be a csapokat a talajba. A belső részen a sátoraljzat ki kell hogy legyen feszítve és négyzet alakú kell hogy legyen.
- Tűzze le a kifeszítő köteleket, így az elősátor kifeszül, de az alakja nem deformálódik el.
- Csatlakoztassa a vihar hevedereket, ha vannak ilyenek.
- A megfelelő feszesség biztosítása érdekében rendszeresen ellenőrizze a kifeszítő köteleket és szükség esetén a csúszórészekkel állítsa be ezeket.

A következők szerint állítsa fel az elősátort:

1. Az elősátor szennyeződéstől és károsodástól való védelme érdekében a kicsomagolás előtt terítsen ki egy ponyvát vagy egy sátoraljzatot.
2. Csomagolja ki az elősátort.
3. Válogassa szét és azonosítsa az eltérő komponenseket.
4. Az elősátor felállításához az ábrán látható módon járjon el (2. ábra, 3. oldal – 17. ábra, 7. oldal).

Az elősátor szétszerelése



FIGYELEM! Károsodás veszélye

Az elősátor szétszerelése során ne alkalmazzon túlzott erőki-fejtést. Ellenkező esetben az anyagok károsodhatnak.

1. Távolítsa el a szennyeződést a külső részről.
2. Zárja be az összes ablak sötétítőt, vagy vegye le a függönyöket.
3. Zárja be az összes ajtót és nyílászárót.
4. Ha van ilyen, tolja ki a védőtető rudat a zsákból, ne húzza.
5. Távolítsa el az összes zsinórt és hevedert.
6. Távolítsa el a sarokcsapok közötti összes csapot.
7. Minden rúdnál nyissa ki a szelepeket.

8. Várjon, amíg eltávozik a levegő nagy része.
9. Távolítsa el a négy sarokcsapot.
10. Még több levegő kinyomásához hajtogassa/tekerceslje az elősátort a szelepek felé.
11. Leeresztett állapotban tekerceslje össze az elősátort a hordozózsákba illeszkedő méretre.
12. Mielőtt bepakolná azokat a hordozótáskába, biztosítsa hogy az összes alkatrész tiszta legyen.
13. Ha az elősátor nedves, vagy nyirkos, a lehető leghamarabb szárítsa meg.

Tisztítás és karbantartás



FIGYELEM! Károsodás veszélye

- A tisztításhoz ne használjon éles vagy kemény tárgyakat, vagy tisztítószereket.
- A tisztításhoz ne használjon alkohol alapú anyagokat, vegyszereket, szappant és tisztítószereket.
- Távolítsa el a madárürüléket és a fák gyantáját, mivel ezek tartósan károsíthatják az anyagot.

1. Szükség esetén tiszta vízzel és puha kefével tisztítsa meg a terméket.
2. Minden egyes út előtt alkalmazzon víz-, és UV-ellenes impregnálást.

Az elősátor tárolása



MEGJEGYZÉS

- A tisztításhoz teljesen állítsa fel az elősátort.
- Az anyag teljes megszáradása érdekében a tisztítást egy napsütéses napon végezze.

1. Tisztítsa meg az elősátort.
2. Szárítsa meg a szabad levegőn az elősátort és az elpakolás előtt ellenőrizze, hogy teljesen megszáradt-e.
3. Jól szellőző, száraz helyen tárolja.

A Veranda oszlopok használata (opcionális)

Az opcionális veranda oszlopok (tartozékok) hossza a csavarzárakkal teljesen állítható. Az oszlopok a következő alkalmazásokhoz használhatók fel:

- A rudak extra szilárdságot adhatnak az elősátornak nehéz időjárási körülmények között. Az elősátor öt pozícióval rendelkezik az oszlopok felszereléséhez.
- A rudak a két ajtónyílásra keresztben szerelhetők fel, így szárítószint alkotnak.
- Az ajtók és az ablakok a rudakra tekerhetők, és így szép időben nyílás alakítható ki a jobb szellőzés érdekében.

Hibakeresés



MEGJEGYZÉS

- A vízzel való első érintkezés során némi nedvesség jelenhet meg a varratoknál. A nedvesség hatására a szálak megduzzadnak és kitöltik a varrási művelet során keletkezett lyukakat.
- Egy teljesen felszerelt cserealkatrész készlet a következőket tartalmazza:
 - Impregnálószer
 - Javítószalag és javítási megoldás
 - Szilikonspray a cipzárakhoz
 - Tartalék csapok

Probléma	Megoldás
Az elősátort csak nehezen lehet felfújni	<ul style="list-style-type: none"> ▶ Ellenőrizze, hogy a szelep teljesen be van-e tekerve a levegőrudba. ▶ Ellenőrizze, hogy a felfújó cső meg van-e csavarodva a szelepnél. Ezt zaj is jelezheti. Egyenesítse ki a felfújó csövet. ▶ Ellenőrizze, hogy a kézi szivattyú működik-e.
Az elősátor egy része nem fújódik fel vagy ereszt le	<ul style="list-style-type: none"> ▶ Ellenőrizze az levegőrudakat összekapcsoló összes szigetelő szelepet, hogy ezek nincsenek-e nyitva.
Meg vannak törve a levegőrudak	<ul style="list-style-type: none"> ▶ Fújjon be több levegőt (10 psi/0,69 bar).
Levegőszivárgás	<ul style="list-style-type: none"> ▶ Ellenőrizze, hogy a szelep teljesen be van-e tekerve a levegőrudba és hogy a helyén van-e a tömítőgyűrű. ▶ Ellenőrizze, hogy a szelep kupakja szorosan meg van-e húzva. ▶ Ellenőrizze a lyukadásokat, lásd: „A levegőrud lyukadásának javítása” fejelet, 66. oldal.
Vízszivárgás	<ul style="list-style-type: none"> ▶ Ellenőrizze a szivárgó varratokat, sérült illesztéseket és a nedves területeket. ▶ Ha nem talál szivárgást, lásd: „Páralecsapódás” fejelet, 66. oldal. ▶ Ha szivárgást talál, vigyen fel varrat tömítőanyagot.
Szakadás a szövetségben	<ul style="list-style-type: none"> ▶ A szövet lezárásához használja a javítószalagot. ▶ A javításokat hivatalos szakemberrel végeztesse el.

Páralecsapódás

Ha a következő feltételek közül egy vagy több teljesül, akkor minden elősátorban kialakul belső páralecsapódás:

- Magas a levegő páratartalma
- Magas a talaj nedvességtartalma
- Lecsökken a hőmérséklet

Erős páralecsapódás esetén a nedvesség lefolyhat tető belső részén és csöpöghet a rögzítőkről, szalagokról és más belső szerelvényekről, és ezt hibásan szivárgásnak lehet vélni.

- ▶ Az ajtók és/vagy ablakok nyitásával növelje a szellőzést.
- ▶ Helyezzen el vízálló sátoraljzatot.

A levegőrud lyukadásának javítása

Ha a levegőrudból szivárog a levegő, akkor a következő módon járjon el:

1. Cipzárassa ki a levegőrudat tartó külső zsákot.
 2. Ha vannak ilyenek, akkor zárja le a szigetelő szelepeket.
 3. Vegye ki a levegőrudat.
 4. Engedje ki a levegőt a levegőrudból.
 5. A felfújható cső szabadabb tételéhez cipzárassa ki a védőzsákot.
 6. Fújjon némi levegőt a felfújható csőbe.
 7. Nyomja víz alá a csövet.
 8. Keresse meg a lyukat.
 9. Javítószalag és javítóoldat használatával zárja le a lyukat.
 10. Cipzárassa vissza a felfújható csövet a védőzsákba.
 11. Cipzárassa vissza a levegőrudat a külső zsákba.
- ▶ Tekintse meg a **18.** ábra, 7. oldalszakaszban található információkat is.

Ártalmatlanítás



- ▶ A csomagolóanyagot lehetőleg a megfelelő újrahasznosítható hulladékokhoz tegye.
- ▶ A termékre vonatkozó ártalmatlanítási előírásokról tájékozódjon a legközelebbi újrahasznosító központban, vagy szakkereskedőjénél.

Szavatosság

A termékre a törvény szerinti szavatossági időszak érvényes. Amennyiben a termék meghibásodott, lépjen kapcsolatba a kiskereskedővel, vagy a gyártó helyi képviselőjével (lásd: dometic.com/dealer).

A javításhoz, illetve a garancia intézéséhez a következő dokumentumokat kell mellékelnie a termék beküldésekor:

- A számla vásárlási dátummal rendelkező másolatát
- A reklamáció okát vagy a hibát tartalmazó leírást

Vegye figyelembe, hogy az önkezü javítás vagy a nem szakszerű javítás biztonsági következményekkel járhat, és érvénytelenítheti a szavatosságot.

A szavatosság a gyártási hibákra, az anyag és alkatrészhibákra vonatkozik. A szavatosság nem vonatkozik a burkolat kifakulására, az UV-sugárzás miatti kopásra és elhasználódásra, a helytelen használatra, a véletlen károsításra, a vihar általi károokra, vagy az állandó és részleges kereskedelmi használatra. Nem vonatkozik következményes károokra. Igény érvényesítése érdekében forduljon kereskedőjéhez. Ez nem befolyásolja a törvény által biztosított jogait.

Műszaki adatok

	Méret: 11	Méret: 12	Méret: 13	Méret: 14	Méret: 15	Méret: 16	Méret: 17	Méret: 18	Méret: 19
Méret	lásd: 1 . ábra, 3. oldal								
Csatlakozási magasság	2350 – 2500 mm								
Bruttó tömeg (1. és 2. doboz)	38,7 kg / 15,2 kg	39,2 kg / 15,2 kg	39,5 kg / 16,5 kg	40,1 kg / 16,5 kg	43,1 kg / 17,0 kg	43,7 kg / 17,0 kg	46,0 kg / 18,0 kg	46,8 kg / 18,0 kg	47,0 kg / 18,2 kg
Nettó súly	35,3 kg / 13,5 kg	35,8 kg / 13,5 kg	36,2 kg / 14,8 kg	36,7 kg / 14,8 kg	40,0 kg / 15,3 kg	40,5 kg / 15,3 kg	42,8 kg / 16,0 kg	43,4 kg / 16,0 kg	43,4 kg / 16,7 kg

Pažljivo pročitajte ove upute i poštujte sve upute, smjernice i upozorenja sadržane u ovim uputama kako biste u svakom trenutku osigurali pravilnu instalaciju, uporabu i održavanje proizvoda. Ove upute MORAJU ostati u blizini uređaja.

Uporabom proizvoda potvrđujete da ste pažljivo pročitali sve upute, smjernice i upozorenja te da razumijete i pristajete poštovati ovdje navedene uvjete i odredbe. Pristajete koristiti ovaj proizvod samo za predviđenu svrhu i namjenu te u skladu s uputama, smjernicama i upozorenjima navedenima u ovom priručniku za proizvod, kao i u skladu sa svim važećim zakonima i propisima. Ako ne pročitate i ne poštujete ovdje navedene upute i upozorenja, tada to može dovesti do ozljeđivanja vas i drugih osoba, do oštećenja proizvoda ili druge imovine u blizini. Ovaj priručnik za proizvod, uključujući i upute, smjernice i upozorenja, te povezanu dokumentaciju može biti podložan promjenama i ažuriranjima. Za najnovije podatke o proizvodu posjetite [documents.dometic.com](https://www.dometic.com), [dometic.com](https://www.dometic.com).



Videozapis s uputama za postavljanje predšatora za karavan pod nazivom „How To Set Up Your Caravan Awning“ potražite na https://www.youtube.com/watch?v=hokC_gmD0IQ

Objašnjenje simbola



OPASNOST!

Sigurnosna uputa: Naznačuje opasnu situaciju koja će, ako se ne izbjegne, rezultirati smrću ili teškim ozljedama.



UPOZORENJE!

Sigurnosna uputa: Naznačuje opasnu situaciju koja bi, ako se ne izbjegne, mogla rezultirati smrću ili teškim ozljedama.



OPREZ!

Sigurnosna uputa: Naznačuje opasnu situaciju koja bi, ako se ne izbjegne, mogla rezultirati lakšim ili umjerenim ozljedama.



POZOR!

Naznačuje situaciju koja, ako se ne izbjegne, može rezultirati materijalnom štetom.



UPUTA

Dodatne informacije za rukovanje proizvodom.

Sigurnosne upute



OPASNOST! Nepoštivanje ovih uputa dovest će do smrti ili teške ozljede.

Opasnost od trovanja ugljičnim monoksidom

- U predšatoru nikada nemojte upotrebljavati uređaje na gorivo kao što su roštilji ili plinske grijalice. Postupkom gorenja nastaje ugljikov monoksid koji se nakuplja u predšatoru jer u njemu nema dimnjaka.



UPOZORENJE! Nepoštivanje ovih upozorenja moglo bi dovesti do smrti ili teške ozljede.

Opasnost od požara

- Sve izvore plamena i topline držite podalje od ove tkanine za šator.
- Upoznajte se s mjerama zaštite od požara na lokaciji.
- U predšatoru nemojte kuhati ni koristiti otvoreni plamen.

Opasnost od gušenja

- Radi sprječavanja gušenja pobrinite se za to da su otvori za ventilaciju uvijek otvoreni.



OPREZ! Nepoštivanje ovih upozorenja moglo bi dovesti do lakše ili umjerene ozljede.

Opasnost od ozljeda

- Ovaj uređaj nije namijenjen za uporabu od strane osoba (uključujući djecu) smanjenih tjelesnih, senzoričkih ili umnih sposobnosti ili s nedostatkom iskustva i znanja osim ako nisu pod nadzorom osobe odgovorne za njihovu sigurnost ili ako su od te osobe primile upute u vezi s uporabom uređaja.
- Djeci nemojte dopustiti da se igraju oko predšatora te se pobrinite za to da se nosi odgovarajuća zaštitna obuća. Konopci za pričvršćivanje predstavljaju opasnost od spoticanja, a klinovi mogu biti oštri.
- Djeca ne smiju provoditi čišćenje i korisničko održavanje bez nadzora.
- Pobrinite se za to da su prolazi slobodni.

Opseg isporuke

Komponenta	Količina
Predšator	1
Prednja ploča	2
Bočna ploča	2
Komplet pamučnih zavjesa	1
Pumpa Gale 12 V	1
PVC vodonepropusna pregrada	1
Pojasevi u slučaju oluje	2
Komplet klinova	1
Torba za prijenos	2
Upute za montažu i rukovanje	1

Pribor

Dostupno kao dodatna oprema (nije uključeno u opseg isporuke):

Opis	Br. art.
Residence AIR Tall Annexe	9120002142
Continental Carpet Residence	
• Veličina 11, 12	9120002286
• Veličina 13, 14	9120002221
• Veličina 15, 16	9120002223
• Veličina 17, 18	9120002225
• Veličina 19	9120002287
Mrežni panel Residence	
• Veličina 11	9120002274
• Veličina 12	9120002275
• Veličina 13	9120002144
• Veličina 14	9120002145
• Veličina 15	9120002146
• Veličina 16	9120002147
• Veličina 17	9120002148
• Veličina 18	9120002149
• Veličina 19	9120002276
Podni panel Residence	
• Veličina 11	9120002277
• Veličina 12	9120002278

Opis	Br. art.
• Veličina 13	9120002151
• Veličina 14	9120002152
• Veličina 15	9120002153
• Veličina 16	9120002154
• Veličina 17	9120002155
• Veličina 18	9120002156
• Veličina 19	9120002279
Šipka za verandu	9120002264
Podloga za oluje za verandu	9120002157

Namjena

Ovaj je predšator prikladan za sljedeće:

- karavane
- blago do umjereno blago vrijeme
- obilaskе
- sezonsko kampiranje

Ovaj predšator **nije** prikladan za sljedeće:

- snažne vjetrove ili snijeg
- komercijalnu upotrebu

Ovaj je proizvod prikladan samo za predviđenu namjenu i primjenu u skladu s ovim uputama.

Ove upute donose informacije neophodne za pravilnu instalaciju i/ili rad proizvoda. Loša instalacija i/ili nepravilan rad ili održavanje rezultirat će nezadovoljavajućom uspješnošću i mogućim kvarom.

Proizvođač ne preuzima nikakvu odgovornost za bilo kakve ozljede ili oštećenja proizvoda koje nastanu kao rezultat:

- nepravilne montaže ili priključivanja, uključujući i previsok napon
- nepravilnog održavanja ili uporabe nekih drugih rezervnih dijelova osim originalnih rezervnih dijelova koje isporučuje proizvođač
- izmjena na proizvodu bez izričitog dopuštenja proizvođača
- uporabe u svrhe koje nisu opisane u ovim uputama

Dometic pridržava pravo na izmjene izgleda i specifikacija proizvoda.

Demontaža predšatora



OPREZ! Opasnost od ozljeda i materijalne štete

Patentni zatvarač na zaštitnoj navlaci nikada nemojte otvarati kada je zračni stup napuhan. To će rezultirati pucanjem zračnog stupa.

Prije prve uporabe

Upoznajte se s proizvodom tako da prije prve uporabe proizvoda provedete testno postavljanje. Provjerite je li opseg isporuke kompletan.

Odabir lokacije

Odaberite ravno mjesto zaštićeno od vjetra:

1. Po potrebi upotrijebite vjetrombran.
2. Odaberite lokaciju koja je u sjeni da biste spriječili trošenje tkanine zbog izlaganja UV zrakama.
3. Izbjegavajte postavljanje ispod drveća jer padanje grana, smola i ostalo mogu oštetiti proizvod.
4. Uklonite oštro kamenje i otpad da biste spriječili oštećenje podloge.
5. Proizvod postavite tako da su vrata okrenuta suprotno od smjera puhanja vjetra.

Postavljanje predšatora



OPREZ! Opasnost od ozljeda i materijalne štete

- Nemojte upotrebljavati kompresore dizajnirane za napuhavanje automobilskih guma.
- Zračne stupove napuhajte isključivo do zelene zone na manometru priložene ručne pumpe (10 psi / 0,69 bara).



POZOR! Materijalna šteta

- Prilikom otvaranja ili zatvaranja patentnih zatvarača nemojte primjenjivati silu.
- Ako se za pričvršćivanje predšatora upotrebljava tenda na izvlačenje, poduprite je tijekom rada da biste spriječili preveliko opterećivanje. Nakon pričvršćivanja predšatora tendu na razvlačenje u potpunosti vratite u njezino kućište.



UPUTA

- Predšator se isporučuje s klinovima za velika opterećenja. Ti će klinovi biti prikladni za brojne lokacije, no za određene vrste tla bit će potrebni posebni klinovi. Raspitajte se kod trgovca.
- Klinove zabijte u tlo pod kutom od 45° od predšatora.
- Svaki konopac za pričvršćivanje omotajte oko klina u ravni sa spojem iz kojeg izlazi.

Prilikom postavljanja predšatora ne zaboravite na sljedeće savjete:

- Slike su općeniti prikaz postupka postavljanja. Stvarno će se postavljanje nešto razlikovati ovisno o modelu predšatora.
- Zatražite pomoć. Postavljanje je lakše kada u njemu sudjeluje više ljudi.
- Nakon što je predšator uspravan, provjerite kutne klinove i ponovno ih pričvrstite ako je to potrebno. Podloga s unutrašnje strane šatora treba biti zategnuta i pravokutnog oblika.
- Konopce za pričvršćivanje omotajte oko klinova tako da je predšator napet, no da pri tome zadrži svoj oblik.
- Ako su dostupni, pričvrstite pojaseve u slučaju oluje.
- Povremeno provjerite stanje konopaca za pričvršćivanje da biste održali prikladnu razinu napetosti te po potrebi upotrijebite vodilice da biste ih prilagodili.

Predšator postavite na sljedeći način:

1. Da biste predšator zaštitili od prljavštine i oštećenja, prije nego što ga raspakirate na tlo stavite podlogu ili štitnik za šator.
2. Raspakirajte predšator.
3. Razdvojite i identificirajte različite komponente.
4. Nastavite na prikazani način da biste postavili predšator (sl. **2**, stranica 3 – sl. **17**, stranica 7).

Demontaža predšatora



POZOR! Opasnost od oštećenja

Prilikom demontaže predšatora nemojte primjenjivati silu. U suprotnom biste mogli oštetiti materijal.

1. Uklonite svu nečistoću s vanjske strane.
2. Zatvorite sve rolete na prozorima ili uklonite zastore.
3. Zatvorite sva vrata i otvore.
4. Ako je montirana, gurnite šipku nadstrešnice iz rukava, no nemojte vući.
5. Uklonite sve konopce i pojaseve.
6. Uklonite sve klinove između kutnih klinova.
7. Zatvorite ventile na svakoj šipci.
8. Pričekajte da većina zraka izađe iz šatora.

9. Uklonite četiri kutna klina.
10. Složite/zarolajte predšator prema ventilima da bi ostatak zraka izašao iz šatora.
11. Kada ga ispušete, predšator zarolajte da bi stao u torbu za prijenos.
12. Prije nego što ih stavite u torbu za prijenos, provjerite jesu li svi dijelovi čisti.
13. Ako je predšator mokar ili vlažan, što prije ga u potpunosti osušite.

Čišćenje i održavanje



POZOR! Opasnost od oštećenja

- Za čišćenje nemojte koristiti oštre ili tvrde predmete ili deterdžente.
- Za čišćenje nemojte koristiti materijale, kemikalije, sapune i deterdžente na bazi alkohola.
- Što je prije moguće, uklonite ptičji izmet i smolu s materijala da biste spriječili njegovo trajno oštećenje.

1. Ako je potrebno, proizvod očistite čistom vodom i mekom četkom.
2. Prije svakog putovanja nanesite impregnacijsko sredstvo za zaštitu od vode i izlaganja UV zrakama.

Pohrana predšatora



UPUTA

- U potpunosti postavite predšator da biste ga očistili.
- Za čišćenje odaberite sunčan dan da bi se materijal u potpunosti osušio.

1. Očistite predšator.
2. U potpunosti ga prozračite i pobrinite se za to da je predšator sasvim suh prije nego što ga spakirate.
3. Čuvajte ga na dobro prozračenom i suhom mjestu.

Upotreba šipki za verandu (neobavezno)

Duljinu šipki za verandu (dodatna oprema) moguće je u potpunosti prilagoditi uz pomoć mehanizma za zakretanje i zaključavanje. Šipke se mogu upotrebljavati za sljedeće:

- Šipke mogu osigurati dodatnu potporu predšatoru tijekom loših vremenskih uvjeta. Predšator ima pet položaja za montažu šipki.
- Šipke se mogu montirati na dva otvora na vratima i služiti kao stalci za sušenje.
- Vrata i prozori mogu se preklopiti preko šipki, čime nastaje otvor za bolju cirkulaciju zraka dok je lijepo vrijeme.

Uklanjanje smetnji



UPUTA

- Tijekom prvog izlaganja vodi moguća je pojava vlage na spojevima. Zbog vlage spojne će se niti napuhati i ispuniti otvore koji su nastali tijekom postupka šivanja.
- Potpuno opremljen komplet rezervnih dijelova treba obuhvaćati sljedeće:
 - impregnacijsko sredstvo
 - traku i smjesu za popravke
 - silikonski sprej za zatvarače
 - rezervne klinove

Smetnja	Rješenje
Predšator se napuhuje s poteškoćama	<ul style="list-style-type: none"> ▶ Provjerite je li ventil u potpunosti pritegnut u zračnom stupu. ▶ Provjerite nije li cijev za napuhavanje zavrnuta pri ventilu. To je moguće prepoznati po zvuku. Odvijte cijev za napuhavanje. ▶ Provjerite radi li ručna pumpa.
Ne napuhuje se ili ispuhuje dio predšatora	<ul style="list-style-type: none"> ▶ Provjerite jesu li svi izolacijski ventili koji povezuju zračne stupove otvoreni.
Zračni su stupovi iskrivljeni	<ul style="list-style-type: none"> ▶ Dodajte još zraka (10 psi / 0,69 bara).
Curenje zraka	<ul style="list-style-type: none"> ▶ Provjerite je li ventil u potpunosti pritegnut u zračnom stupu te je li prstenasta brtva na svom mjestu. ▶ Provjerite je li poklopac ventila dobro pritegnut. ▶ Provjerite nema li puknuća; pogledajte pogl. „Popravak puknuća zračnog stupa” na stranici 70.
Curenje vode	<ul style="list-style-type: none"> ▶ Provjerite nema li spojeva koji cure, oštećenih traka i vlažnih područja. ▶ Ako ne možete pronaći mjesto curenja, pogledajte pogl. „Kondenzacija” na stranici 70. ▶ Ako pronađete mjesto curenja, nanesite brtvilo za spojeve.
Poderana tkanina	<ul style="list-style-type: none"> ▶ Upotrijebite traku za popravak tkanine. ▶ Pobrinite se za to da popravke izvrši ovlašten stručnjak.

Kondenzacija

U svim će predšatorima doći do unutarnje kondenzacije u slučaju pojave nekih od sljedećih uvjeta:

- visoka vlaga zraka
- visoka vlaga na tlu
- pad temperature

Velika količina kondenzacije može uzrokovati curenje s unutrašnjosti krova i kapati s konopa, traka i drugih internih spojeva te ju je moguće zamijeniti za curenje.

- ▶ Povećajte ventilaciju otvaranjem vrata i/ili prozora.
- ▶ Postavite vodootpornu podlogu.

Popravak puknuća zračnog stupa

Ako zračni stup počne ispuštati zrak, nastavite na sljedeći način:

1. Otvorite zatvarač vanjske zaštitne navlake koja drži zračni stup.
 2. Ako su postavljeni, zatvorite izolacijske ventile.
 3. Izvadite zračni stup.
 4. Ispušite zračni stup.
 5. Otvorite zatvarač zaštitne navlake da biste došli do cijevi koju je moguće napuhati.
 6. Upušite malo zraka u cijev koju je moguće napuhati.
 7. Uronite cijev u vodu.
 8. Pronađite mjesto puknuća.
 9. Upotrijebite traku i smjesu za popravke da biste zabrtvili rupu.
 10. Vratite cijev koju je moguće napuhati u zaštitnu navlaku i zatvorite zatvarač.
 11. Vratite zračni stup u vanjsku zaštitnu navlaku i zatvorite zatvarač.
- ▶ Pridržavajte se i informacija navedenih na slici sl. 18, stranica 7.

Odlaganje u otpad



- ▶ Odložite ambalažu u odgovarajuće kante za reciklažu otpada gdje god je to moguće.
- ▶ Za detalje o odlaganju proizvoda u otpad, zatražite od svog lokalnog centra za recikliranje ili specijaliziranog trgovca pojednosti o tomu kako to učiniti u skladu s važećim propisima o odlaganju u otpada.

Jamstvo

Primjenjuje se zakonom propisano jamstveno razdoblje. Ako je proizvod neispravan, molimo obratite se trgovcu na malo ili podružnici proizvođača u vašoj državi (vidi dometic.com/dealer).

Za potrebe popravaka i obrade jamstva, pri slanju proizvoda priložite sljedeće dokumente:

- Presliku računa s datumom kupnje
- Razlog reklamacije ili opis kvara

Obratite pozornost da samostalni ili nestručni popravak može imati negativne posljedice na sigurnost i uzrokovati gubitak jamstva.

Jamstvo pokriva proizvodne nedostatke, materijale i dijelove. Jamstvo ne pokriva gubitak boje navlake i uobičajeno habanje zbog izlaganja UV zrakama, pogrešne uporabe, slučajnog oštećenja ili neprekidne, djelomično neprekidne ili komercijalne uporabe. Ono ne pokriva nikakve posljedice štete. Za reklamacije molimo obratite se svom trgovcu. Ovo ne utječe na vaša zakonska prava.

Tehnički podaci

	Veličina 11	Veličina 12	Veličina 13	Veličina 14	Veličina 15	Veličina 16	Veličina 17	Veličina 18	Veličina 19
Dimenzije	pogledajte sl. 1 , stranica 3								
Visina priključka	2350 – 2500 mm								
Bruto težina (kutija 1 i 2)	38,7 kg / 15,2 kg	39,2 kg / 15,2 kg	39,5 kg / 16,5 kg	40,1 kg / 16,5 kg	43,1 kg / 17,0 kg	43,7 kg / 17,0 kg	46,0 kg / 18,0 kg	46,8 kg / 18,0 kg	47,0 kg / 18,2 kg
Neto težina	35,3 kg / 13,5 kg	35,8 kg / 13,5 kg	36,2 kg / 14,8 kg	36,7 kg / 14,8 kg	40,0 kg / 15,3 kg	40,5 kg / 15,3 kg	42,8 kg / 16,0 kg	43,4 kg / 16,0 kg	43,4 kg / 16,7 kg

Bu ürünü doğru monte ettiğinizden ve ürünün daima kullanıma hazır olduğundan emin olmak için, lütfen tüm talimatları ve bu ürün kılavuzunda verilen kılavuzları ve uyarıları dikkatlice okuyunuz. Bu talimatlar bu üründe KALMALIDIR.

Bu ürünü kullandığınızda tüm talimatları, kılavuzları ve uyarıları dikkatlice okuduğunuza ve anladığınıza ve hükümlere ve koşullara bu sözleşmede yer alıyormuş gibi uyacağınıza onay verirsiniz. Bu ürünü sadece amacına ve uygulamaya uygun ve talimatlara, kılavuzlara ve uyarılara uygun bu ürün kılavuzu ile geçerli yasalara ve yönetmeliklere uygun olarak kullanacağınızı kabul ediyorsunuz. Talimatların ve uyarıların burada verildiği gibi okunmaması veya bunlara uyulmaması sonucu kendiniz ve diğer insanlar yaralanabilir veya ürününüz veya yakınında bulunan diğer eşyalar hasar görebilir. Talimatlar, kılavuzlar ve uyarılar da dahil, bu ürün kılavuzu ve buna ait olan dokümanlarda değişiklikler ve güncellemeler yapılabilir. Güncel ürün bilgileri için, lütfen bakınız documents.dometic.com, dometic.com.



«Karavan Tentenizi Nasıl Kurarsınız» videosunu şu adresten bulabilirsiniz:
https://www.youtube.com/watch?v=hokC_gmD0IQ

Sembollerin açıklaması



TEHLİKE!

Güvenlik uyarısı: Önlenmediğinde, can kaybı veya ağır bir yaralanmaya neden olacak tehlikeli bir durumu gösterir.



UYARI!

Güvenlik uyarısı: Önlenmediğinde, can kaybı veya ağır bir yaralanmaya neden olabilecek tehlikeli bir durumu gösterir.



DİKKAT!

Güvenlik uyarısı: Önlenmediğinde, hafif veya orta derecede bir yaralanmaya neden olabilecek tehlikeli bir durumu gösterir.



İKAZ!

Önlenmediğinde, maddi hasara neden olabilecek bir durumu gösterir.



NOT

Ürünün kullanılması ile ilgili ek bilgiler.

Güvenlik uyarıları



TEHLİKE! Bu talimata uyulmaması can kaybı veya ağır yaralanmaya sebep olur.

Karbon monoksit zehirlenmesi tehlikesi

- Tente çadırın içinde asla barbekü veya gazlı ısıtıcı gibi yakıt yakan cihazlar kullanmayın. Yanma işlemi sonucu karbon-monoksit oluşur ve baca olmadığı için tente çadırın içinde birikir.



UYARI! Bu uyarılara uyulmaması can kaybı veya ağır yaralanmaya sebep olabilir.

Yangın tehlikesi

- Tüm alev ve ısı kaynaklarını bu çadır kumaşından uzak tutun.
- Sahadaki yangın önlemi düzenlemelerini bildiğinizden emin olun.
- Tente çadırın içinde yemek pişirmeyin veya açık alev kullanmayın.

Boğulma tehlikesi

- Boğulmayı önlemek için havalandırma açıklıklarının her zaman açık olduğundan emin olun.



DİKKAT! Bu ikazlara uyulmaması hafif veya orta derecede yaralanmaya sebep olabilir.

Yaralanma riski

- Bu cihaz fiziksel, duyuşsal veya ruşsal yetenekleri yeterli olmayan, deneyimleri ve bilgileri eksik olan kişilerin (çocuklar da dahil) kullanmaları için tasarlanmamıştır. Bu kişiler bu cihazı güvenlikleri için sorumlu bir kişinin denetiminde kullanabilirler.
- Çocukların tente çadırın etrafında oynamasına izin vermemeyin ve uygun koruyucu ayakkabı giydiklerinden emin olun. Gergi halatları takılıp düşme tehlikesi oluşturur ve kazıklar keskin olabilir.
- Temizlik ve kullanıcı bakımı gözetimsiz olarak çocuklar tarafından yapılmamalıdır.
- Geçiş yollarını açık tutun.

Teslimat kapsamı

Bileşen	Miktar
Tente çadır	1
Ön panel	2
Yan panel	2
Pamuk perde seti	1
Gale 12 V pompa	1
PVC hava akımı eteği	1
Firtına kayışları	2
Kazık paketi	1
Taşıma çantası	2
Kurulum ve kullanım kılavuzu	1

Aksesuar

Aksesuar olarak temin edilebilir (teslimat kapsamına dahil değildir):

Adı	Parça No.
Residence AIR Tall Annexe	9120002142
Continental Carpet Residence	
• Boyut 11, 12	9120002286
• Boyut 13, 14	9120002221
• Boyut 15, 16	9120002223
• Boyut 17, 18	9120002225
• Boyut 19	9120002287
Mesh Panel Residence	
• Boyut 11	9120002274
• Boyut 12	9120002275
• Boyut 13	9120002144
• Boyut 14	9120002145
• Boyut 15	9120002146
• Boyut 16	9120002147
• Boyut 17	9120002148
• Boyut 18	9120002149
• Boyut 19	9120002276
Footprint Residence	
• Boyut 11	9120002277
• Boyut 12	9120002278
• Boyut 13	9120002151

Adı	Parça No.
• Boyut 14	9120002152
• Boyut 15	9120002153
• Boyut 16	9120002154
• Boyut 17	9120002155
• Boyut 18	9120002156
• Boyut 19	9120002279
Veranda Direği	9120002264
Veranda Fırtına Taban Plakası	9120002157

Amacına Uygun Kullanım

Bu tente çadır aşağıdakiler için uygundur:

- Karavanlar
- Hafif ve orta hava koşulları
- Gezi
- Sezonluk kurulum

Bu tente çadır aşağıdakiler için **uygun değildir**:

- Çok güçlü rüzgarlar veya kar yağışı
- Ticari kullanım

Bu ürün sadece amacına uygun ve bu talimata göre kullanılmalıdır.

Bu kılavuzda ürünün doğru olarak monte edilmesi ve/veya kullanılması için gerekli bilgiler verilmektedir. Doğru yapılmayan montaj veya bakım performansının yetersiz olmasına ve olası bozukluklara neden olabilir.

Üretici, aşağıdaki durumların neden olduğu yaralanmalardan veya ürün hasarlarından sorumlu değildir:

- Yanlış montaj veya bağlantı ve aşırı voltaj
- Yanlış bakım veya üretici tarafından sağlanan orijinal yedek parçalardan başka yedek parçalar kullanılması
- Üreticisinden açıkça izin almadan cihazda değişiklikler yapılması
- Bu kılavuzda tanımlananların dışında bir amaçlar için kullanıldığında

Dometic ürünün görünümünde ve ürün özelliklerinde değişiklik yapma hakkını saklı tutar.

Tente çadırın kullanımı



DİKKAT! Yaralanma ve maddi hasar tehlikesi

Bir hava direği şişirilmiş durumda iken koruyucu kılıfın üzerindeki fermuarı kesinlikle açmayın. Bu, hava direğinin patlamasına neden olacaktır.

İlk kullanım öncesi

Ürünü ilk kez kullanmadan önce bir test kurulumu yaparak ürünü tanıyın. Teslimat kapsamının eksiksiz olup olmadığını kontrol edin.

Yer seçimi

Rüzgardan korunan düz bir yer seçin:

1. Gerekirse rüzgarlık kullanın.
2. Kumaşın UV etkileri nedeniyle bozulmasını önlemek için gölgeli bir yer seçin.
3. Düşen dallar, reçine vb. ürüne zarar verebileceğinden ağaçların tam altına kurmaktan kaçının.
4. Su geçirmez zemin örtüsüne zarar vermemek için alanı keskin taşlardan ve molozlardan temizleyin.
5. Ürünü, kapıları rüzgar yönüne bakmayacak şekilde kurun.

Tente çadır kurulumu



DİKKAT! Yaralanma ve maddi hasar tehlikesi

- Araba lastiklerini şişirmek için tasarlanmış herhangi bir türde kompresör kullanmayın.
- Hava direklerini yalnızca birlikte verilen el pompasının basınç göstergesindeki yeşil bölgeye kadar şişirin (10 psi/0,69 bar).



İKAZ! Malzeme hasarı

- Fermuarları zorla açıp kapatmayın.
- Tente çadırı sabitlemek için bir kasetli tente kullanılıyorsa, üzerine çok fazla baskı uygulamamak için çalışırken kasetli tenteyi destekleyin. Tente çadırı taktıktan sonra kasetli tenteyi tamamen muhafazasına geri sarın.



NOT

- Tente çadır ağır hizmet tipi kazıklarla birlikte teslim edilir. Bunlar birçok zemin için uygundur, ancak bazı zemin türleri için özel kazıklar gerekmektedir. Satıcınıza sorun.
- Kazıkları tente çadıra 45° açıyla zemine çakın.
- Kazıkları, her bir gergi halatının dikiş yeri ile aynı hizada sabitleyin.

Tente çadırı kurarken aşağıdaki ipuçlarını aklınızda bulundurun:

- Şekiller, kurulumu genel bir bakış sağlar. Gerçek kurulum, tente çadır modeline göre biraz farklılık gösterebilir.
- Yardım alın. Daha fazla kişi ile kurulum daha kolaydır.
- Tente çadırı dik konuma getirdikten sonra köşe dikmelerini kontrol edin ve gerekirse yeniden dikin. İç taraftaki su geçirmez zemin örtüsü gergin ve dikdörtgen şeklinde olmalıdır.
- Gerdirme halatlarını, tente çadırı gergin duracak fakat şekli bozulmayacak şekilde sabitleyin.
- Varsa fırtına kayışlarını takın.
- Yeterli gerginliği sağlamak için ara sıra gergi hatlarını kontrol edin, gerekirse ayarlamak için gergi ayarlayıcılarını kullanın.

Tente çadırı şu şekilde kurun:

1. Tente çadırı kirden ve hasardan korumak için paketi açmadan önce su geçirmez zemin örtüsü veya zemin kaplama örtüsü kullanın.
2. Tente çadırı paketinden çıkarın.
3. Farklı bileşenleri ayırın ve tanımlayın.
4. Tente çadırı kurmak için gösterildiği gibi ilerleyin (şekil **2**, sayfa 3 – şekil **17**, sayfa 7).

Tente çadırın sökülmesi



İKAZ! Hasar tehlikesi

Tente çadırı sökerken güç kullanmayın. Aksi takdirde herhangi bir malzemeye zarar verebilirsiniz.

1. Çadırın dış yüzeyindeki tüm kirleri temizleyin.
2. Tüm güneşlikleri kapatın ve perdeleri sökün.
3. Tüm kapıları ve açıklıkları kapatın.
4. Takılıysa, gölgelik direğini manşondan dışarı doğru itin, çekmeyin.
5. Tüm halatları ve kayışları sökün.
6. Köşe kazıklarının arasındaki tüm kazıkları sökün.
7. Tüm direklerdeki vanaları açın.
8. Havanın çoğu çıkana kadar bekleyin.
9. Dört köşede bulunan kazıkları sökün.
10. Daha fazla havayı dışarı atmak için tente çadırı valflere doğru katlayın/yuvarlayın.

- Havası tamamen boşaldığında tente çadırı, çantasına sığacak şekilde rulo yapın.
- Taşıma çantasına koymadan önce tüm parçaların temiz olduğundan emin olun.
- Tente çadır ıslak veya nemliyse mümkün olan en kısa sürede tamamen kurutun.

Temizlik ve bakım



İKAZ! Hasar tehlikesi

- Temizlik için keskin, sert nesnelere veya temizlik maddeleri kullanmayın.
- Temizlik için alkol bazlı malzemeler, kimyasallar, sabun ve deterjanlar kullanmayın.
- Malzemede kalıcı hasar oluşmasını önlemek için kuş pisliklerini ve ağaç reçinesini mümkün olan en kısa sürede temizleyin.

- Gerekirse ürünü temiz su ve yumuşak bir fırça ile temizleyin.
- Her yolculuktan önce su ve UV ışınlarına karşı emprenye uygulayın.

Tente çadırın saklanması



NOT

- Temizlik için tente çadırı tamamen kurun.
- Malzemenin tamamen kurummasını sağlamak için temizliği güneşli bir günde yapın.

- Tente çadırı temizleyin.
- Paketlemeden önce tamamen havalandırın ve tente çadırın tamamen kuru olduğundan emin olun.
- İyi havalandırılan kuru bir yerde saklayın.

Veranda direğinin kullanımı (isteğe bağlı)

Veranda direklerinin (aksesuarlar) uzunluğu, döner kilitlerle tamamen ayarlanabilir. Direkler aşağıdaki uygulamalar için kullanılabilir:

- Direkler, ağır hava koşullarında tente çadırı güçlendirebilir. Tente çadırda, direklerin montajı için beş konum mevcuttur.
- Direkler, bir kurutma askısı rayı sağlamak için iki kapı açıklığına monte edilebilir.
- Kapılar ve pencereler güzel havalarda direklerin üzerinden geçirilerek daha iyi hava sirkülasyonu sağlayan açıklıklar oluşturulabilir.

Arızaların Giderilmesi



NOT

- İlk kez suya maruz kaldığında dikiş yerlerinde bir miktar nem olabilir. Bu nem sayesinde iplikler şişerek dikiş sırasında oluşan boşlukları dolduracaktır.
- Tam donanımlı bir yedek parça kiti şunları içermelidir:
 - Su sızdırmazlık malzemesi
 - Tamir bandı ve tamir solüsyonu
 - Fermuarlar için silikon sprey
 - Yedek kazıklar

Sorun	Çözüm
Tente çadır zor şişiyor	<ul style="list-style-type: none"> ▶ Vananın hava direğine tamamen vidalanıp vidalandığını kontrol edin. ▶ Şişirme borusunun valf girişinde bükülüp bükülmediğini kontrol edin. Çıkan bir ses bunu belli edebilir. Şişirme borusundaki bükülmeyi giderin. ▶ El pompasının çalışıp çalışmadığını kontrol edin.
Tente çadırın bir kısmı şişmiyor ya da havası boşalmıyor	<ul style="list-style-type: none"> ▶ Hava direklerini birbirine bağlayan tüm izolasyon vanalarının açık olduğunu kontrol edin.

Sorun	Çözüm
Hava direkleri bükülmüş	<ul style="list-style-type: none"> ▶ Daha fazla hava basın (10 psi/0,69 bar).
Hava kaçağı	<ul style="list-style-type: none"> ▶ Vananın hava direğine tamamen vidalandığını ve halka contanın yerinde olup olmadığını kontrol edin. ▶ Vana kapağının sıkı bir şekilde kapandığını kontrol edin. ▶ Delinme olup olmadığını kontrol edin, bkz. bölüm «Hava direğindeki bir deliğin onarılması» sayfa 74.
Su sızıntısı	<ul style="list-style-type: none"> ▶ Dikişleri, hasarlı bantları ve nemli alanları sızıntıya karşı kontrol edin. ▶ Herhangi bir sızıntı bulamazsanız, bkz. bölüm «Yoğuşma» sayfa 74. ▶ Herhangi bir sızıntı bulursanız, dikiş sızdırmazlık maddesi uygulayın.
Kumaşta yırtık	<ul style="list-style-type: none"> ▶ Kumaşı kapatmak için tamir bandı kullanın. ▶ Onarımları yetkili servis personeline yaptırın.

Yoğuşma

Aşağıdaki koşullardan biri veya birkaçı mevcutsa tüm tente çadırlarda dahili yoğuşma olur:

- Yüksek hava nemi
- Yüksek zemin nemi
- Ani sıcaklık düşmesi

Şiddetli yoğuşma, çatının iç kısmından aşağı akabilir ve bağlardan, bantlardan ve diğer iç bağlantı parçalarından damlayabilir ve bir sızıntıyla karıştırılabilir.

- ▶ Kapıları ve/veya pencereleri açarak havalandırmayı artırın.
- ▶ Su geçirmez zemin örtüsü kullanın.

Hava direğindeki bir deliğin onarılması

Hava direği hava kaçırıyorsa, aşağıdakileri yapın:

- Hava direğini tutan dış kılıfın fermuarını açın.
 - Takılıysa izolasyon vanalarını kapatın.
 - Hava direğini çıkarın.
 - Hava direğinin havasını boşaltın.
 - Şişirilebilir boruyu ortaya çıkarmak için koruyucu kılıfın fermuarını açın.
 - Şişirilebilir boruya biraz hava basın.
 - Boruyu suya batırın.
 - Deliğin yerini tespit edin.
 - Deliği kapatmak için tamir bandı ve tamir solüsyonu kullanın.
 - Şişirilebilir boruyu tekrar koruyucu kılıfın içine yerleştirin.
 - Hava direğini tekrar dış kılıfın içine yerleştirin.
- ▶ şekil 18, sayfa 7 bölümünde verilen bilgileri de dikkate alın.

Atık İmhası



- ▶ Ambalaj malzemesini mümkünse ilgili geri dönüşüm atık sistemine kazandırın.
- ▶ Ürünün yürürlükteki imha yönetmeliklerine göre nasıl imha edileceğine ilişkin ayrıntılar için yerel bir geri dönüşüm merkezine veya uzman satıcıya danışın.

Garanti

Yasal garanti süresi geçerlidir. Ürün kusurluysa lütfen satıcınızla veya üreticinin ülkenizdeki şubesiyle iletişime geçin (bkz. dometic.com/dealer).

Onarım ve garanti işlemleri için, ürünü aşağıdaki dokümanlarla birlikte gönderin:

- Satın alma tarihini içeren faturanın bir kopyası
- Talebinizin nedeni veya hatanın açıklanması

Kendi kendine onarımın veya profesyonel olmayan onarımın güvenlikle ilgili sonuçları olabileceğini ve garantiyi geçersiz kılabileceğini unutmayın.

Garanti, üretim kusurlarını, malzemeleri ve parçaları kapsar. Garanti, UV radyasyonu, yanlış kullanım, kaza sonucu hasar, fırtına hasarı veya kalıcı, yarı kalıcı veya ticari kullanım nedeniyle kaplamanın solmasını, aşınmasını ve yıpranmasını kapsamaz. Oluşan herhangi bir hasarı kapsamaz. Talepler için lütfen satıcınızla iletişime geçin. Bu, yasal haklarınızı etkilemez.

Teknik Bilgiler

	Boyut 11	Boyut 12	Boyut 13	Boyut 14	Boyut 15	Boyut 16	Boyut 17	Boyut 18	Boyut 19
Boyutlar	bkz. şekil 1 , sayfa 3								
Bağlantı yüksekliği	2350 – 2500 mm								
Brüt ağırlık (kutu 1 ve 2)	38,7 kg/ 15,2 kg	39,2 kg/ 15,2 kg	39,5 kg/ 16,5 kg	40,1 kg/ 16,5 kg	43,1 kg/ 17,0 kg	43,7 kg/ 17,0 kg	46,0 kg/ 18,0 kg	46,8 kg/ 18,0 kg	47,0 kg/ 18,2 kg
Net ağırlık	35,3 kg/ 13,5 kg	35,8 kg/ 13,5 kg	36,2 kg/ 14,8 kg	36,7 kg/ 14,8 kg	40,0 kg/ 15,3 kg	40,5 kg/ 15,3 kg	42,8 kg/ 16,0 kg	43,4 kg/ 16,0 kg	43,4 kg/ 16,7 kg

Pozorno preberite in upoštevajte vsa navodila, smernice in opozorila iz tega priročnika, da zagotovite pravilno vgradnjo, uporabo in vzdrževanje izdelka. Ta navodila je TREBA hraniti skupaj z izdelkom.

Z uporabo izdelka potrjujete, da ste pozorno prebrali vsa navodila, smernice in opozorila ter razumete in upoštevate vsa določila ter pogoje v tem dokumentu. Strinjate se, da boste izdelek uporabljali samo za predvideni namen uporabe in v skladu z navodili, smernicami in opozorili v tem priročniku ter v skladu z vsemi veljavnimi zakoni in predpisi. Če navodil in opozoril v nadaljevanju ne preberete in ne upoštevate, lahko poškodujete sebe in druge, svoj izdelek ali povzročite materialno škodo v bližini. Pridržujemo si pravico do sprememb in posodobitev priročnika, vključno z navodili, smernicami in opozorili ter povezano dokumentacijo. Za najnoveše informacije o izdelku obiščite [documents.dometic.com](https://www.youtube.com/watch?v=hokC_gmD0IQ), [dometic.com](https://www.dometic.com).



Posnetek „Kako postaviti predšotor za počitniško prikolico“ je na voljo na povezavi https://www.youtube.com/watch?v=hokC_gmD0IQ

Razlaga simbolov



NEVARNOST!

Varnostni napotki: Označuje nevarno situacijo, ki povzroči smrt ali hude poškodbe, če ni preprečena.



OPOZORILO!

Varnostni napotki: Označuje nevarno situacijo, ki lahko povzroči smrt ali hude poškodbe, če ni preprečena.



POZOR!

Varnostni napotki: Označuje nevarno situacijo, ki lahko povzroči lažje ali zmerne poškodbe, če ni preprečena.



OBVESTILO!

Označuje nevarno situacijo, ki lahko povzroči materialno škodo, če ni preprečena.



NASVET

Dodatne informacije za upravljanje izdelka.

Varnostni napotki



NEVARNOST! Neupoštevanje teh navodil povzroči smrt ali hude poškodbe.

Nevarnost zastрупitve z ogljikovim monoksidom

- V predšotoru ne uporabljajte naprav na goriva, kot so žari ali plinski grelniki. Pri izgorevanju nastaja ogljikov monoksid, ki se kopiči v predšotoru, saj ta nima dimnika.



OPOZORILO! Neupoštevanje teh opozoril lahko povzroči smrt ali hude poškodbe.

Nevarnost požara

- Tkanine šotora ne približujte plamenom ali virom toplote.
- Prepričajte se, da ste seznanjeni s protipožarnimi varnostnimi ukrepi na lokaciji.
- V predšotoru ne kuhajte in ne uporabljajte odprtega ognja.

Nevarnost zadušitve

- Prepričajte se, da so prezračevalne odprtine ves čas odprte, da preprečite zadušitev.



POZOR! Neupoštevanje teh svaril lahko povzroči lažje ali srednje poškodbe.

Nevarnost poškodb

- Naprave ne smejo uporabljati osebe (vključno z otroki) z zmanjšanimi fizičnimi, zaznavnimi ali duševnimi sposobnostmi ali s pomanjkanjem izkušenj in znanja, razen če jih oseba, ki je odgovorna za njihovo varnost, nadzira ali jim je dala navodila glede uporabe naprave.
- Otrokom ne dovolite, da se igrajo okoli predšotora, in poskrbite, da nosijo primerno zaščitno obutev. Vrvi so nevarne za spotikanje, klini pa so lahko ostri.

- Otroci ne smejo brez nadzora izvajati čiščenja in vzdrževalnih del.
- Prehodi morajo biti prosti.

Obseg dobave

Sestavni del	Količina
Predšotor	1
Sprednji panel	2
Stranski panel	2
Komplet bombažnih zaves	1
Črpalka Gale 12 V	1
Obroba za zaščito pred preprihom iz PVC	1
Pasovi za zaščito ob neurju	2
Komplet klinov	1
Torba	2
Navodila za montažo in uporabo	1

Pribor

Na voljo kot dodatna oprema (ni vključeno v dobavo):

Opis	Št. izdelka
Dodatni prostor Residence AIR Tall Annexe	9120002142
Preproga Continental Residence	
• Velikost 11, 12	9120002286
• Velikost 13, 14	9120002221
• Velikost 15, 16	9120002223
• Velikost 17, 18	9120002225
• Velikost 19	9120002287
Mrežast panel Residence	
• Velikost 11	9120002274
• Velikost 12	9120002275
• Velikost 13	9120002144
• Velikost 14	9120002145
• Velikost 15	9120002146
• Velikost 16	9120002147
• Velikost 17	9120002148
• Velikost 18	9120002149
• Velikost 19	9120002276
Podloga Residence	
• Velikost 11	9120002277
• Velikost 12	9120002278
• Velikost 13	9120002151
• Velikost 14	9120002152
• Velikost 15	9120002153
• Velikost 16	9120002154
• Velikost 17	9120002155
• Velikost 18	9120002156
• Velikost 19	9120002279
Palica	9120002264
Podstavek za palico	9120002157

Predvidena uporaba

Predšotor je primeren za:

- prikolice,
- blage do zmerne vremenske pogoje,
- popotovanja,
- sezonske parcele.

Predšotor **ni** primeren za:

- zelo močan veter ali sneg,
- komercialno uporabo.

Ta izdelek je primeren samo za predvideni namen in uporabo v skladu s temi navodili.

V tem priročniku so navedene informacije, ki jih je treba upoštevati za pravilno vgradnjo in/ali delovanje izdelka. Aparat zaradi slabe vgradnje in/ali nepravilne uporabe oziroma vzdrževanja ne bo dobro deloval in se lahko pokvari.

Proizvajalec ne sprejema nobene odgovornosti za telesne poškodbe ali poškodbe izdelka, do katerih pride zaradi:

- Napačne vgradnje ali priklopa oziroma neustrezne napetosti;
- Neustreznih vzdrževalnih del ali uporabe neoriginalnih nadomestnih delov, ki jih ni dobavil proizvajalec;
- Sprememb izdelka brez izrecnega dovoljenja proizvajalca;
- Uporabe za namene, ki niso opisani v navodilih.

Družba Dometic si pridržuje pravico do spremembe videza in specifikacij izdelka.

Uporaba predšotora



POZOR! Nevarnost telesnih poškodb in materialne škode

Ne odpirajte zadrge zaščitnega ovoja, ko je zračni steber napihnjen. Zračni steber bo počil.

Pred prvo uporabo

Pred prvo uporabo se morate seznaniti z izdelkom in ga poskusno postaviti. Preverite, ali je obseg dobave popoln.

Izbiranje mesta za postavitev

Izberite ravno mesto, ki je zaščiteno pred vetrom:

1. Če je potrebo, uporabite vetrobran.
2. Izberite senčno mesto, da tkanino zaščitite pred UV-sevanjem.
3. Izogibajte se postavljanju pod drevesi, saj lahko padajoče veje, smola itd. poškodujejo izdelek.
4. Odstranite ostre kamne in koščke, da preprečite poškodbe spodnje ponjave.
5. Izdelek postavite tako, da so vrata obrnjena v stran od vetra.

Postavitev predšotora



POZOR! Nevarnost telesnih poškodb in materialne škode

- Ne uporabljajte kompresorjev, ki so predvideni za polnjenje avtomobilskih pnevmatik.
- Zračne komore polnite samo do zelenega območja merilnika pritiska priložene ročne tlačilke (10 psi/0,69 bar).



OBVESTILO! Materialna škoda

- Zadrge ne odpirajte ali zapirajte na silo.
- Če za pritrditev šotora uporabljate izvlečno markizo, jo med delom podprite, da ne bo preveč obremenjena. Ko predšotor pritrdite, uvlecite izvlečno markizo do konca v ohišje.



NASVET

- Predšotoru so priloženi klini za velike obremenitve. Pripravi so za večino terenov, v določenih primerih pa boste potrebovali posebne kline. Vprašajte prodajalca.
- Kline potisnite v zemljo pod kotom 45° v stran od predšotora.
- Vsako napenjalno vrvico poravnajte s šivom, kjer se vrvica začne.

Pri postavitvi predšotora upoštevajte naslednje nasvete:

- Slike prikazujejo splošni pregled postavitve. Dejanska postavitve se lahko razlikuje glede na model predšotora.
- Naj vam nekdo pomaga. Postavljanje je lažje, če vam pri tem nekdo pomaga.
- Ko predšotor stoji, preverite vogalne kline in jih po potrebi znova pritrdite. Spodnja ponjava mora biti napeta in pravokotne oblike.
- Napenjalne vrvice pritrdite s klini, da bo predšotor napet in pravilne oblike.
- Pritrdite pasove za zaščito ob neurju, če so na voljo.
- Občasno preverite, ali so napenjalne vrvice ustrezno napete, in jih po potrebi nastavite z napenjali.

Predšotor postavite na naslednji način:

1. Preden razpakirate predšotor, na tla položite spodnjo ponjavo ali podlogo, da ga zaščitite pred umazanijo in poškodbami.
2. Razpakirajte predšotor.
3. Razvrstite in opredelite različne sestavne dele.
4. Postavite predšotor, kot je prikazano (sl. **2**, stran 3 – sl. **17**, stran 7).

Razstavljanje predšotora



OBVESTILO! Nevarnost poškodb

Predšotora ne razstavlajte na silo. Sicer lahko poškodujete sestavne dele.

1. Z zunanje strani odstranite umazanijo.
2. Zaprite vsa senčila ali odstranite zavese.
3. Zaprite vsa vrata in odprtine.
4. Če je nameščen baldahin, potisnite palico baldahina iz rokava, ne vlečite je.
5. Odstranite vse vrvice in pasove.
6. Odstranite vse kline med vogalnimi klini.
7. Odprite ventile na vsaki zračni komori.
8. Počakajte, da izstopi večina zraka.
9. Odstranite štiri vogalne kline.
10. Prepogibajte/zvijajte predšotor proti ventilom, da iztisnete več zraka.
11. Ko je zrak izpuščen, predšotor zavijte v torbo.
12. Preverite, ali so vsi deli čisti, preden jih pospravite v torbo.
13. Če je predšotor moker ali vlažen, ga čim prej posušite.

Čiščenje in vzdrževanje



OBVESTILO! Nevarnost poškodb

- Za čiščenje ne uporabljajte ostrih ali trdih predmetov oziroma sredstev za čiščenje.
- Za čiščenje ne uporabljajte izdelkov na osnovi alkohola, kemikalij, mil in detergentov.
- Ptičje iztrebke in drevesno smolo čim prej odstranite, da preprečite poškodbe materiala.

1. Po potrebi izdelek očistite s čisto vodo in mehko krtačo.
2. Pred vsakim potovanjem nanesite impregnacijo za vodo in UV-sevanje.

Shranjevanje predšotorja



NASVET

- Predšotor mora biti za čiščenje v celoti postavljen.
- Za čiščenje izberite sončen dan, da se bo material popolnoma posušil.

1. Očistite predšotor.
2. Dobro ga prezračite in preverite, ali je predšotor popolnoma suh, preden ga zapakirate.
3. Hranite ga na zračnem in suhem mestu.

Uporaba palic Veranda (izbirno)

Dolžino teleskopskih palic (dodatna oprema) je mogoče poljubno nastaviti. Palice je mogoče uporabiti za naslednje namene:

- Palice lahko zagotovijo dodatno stabilnost predšotorja v hudih vremenskih razmerah. Predšotor ima pet položajev za montažo palic.
- Palice je mogoče montirati čez vratni odprtini in se lahko uporabljajo kot stojalo za sušenje.
- Vrata in okna je mogoče zviti čez palice in tako zagotoviti boljše kroženje zraka, ko je vreme lepo.

Odpravljanje težav



NASVET

- Ob prvi izpostavljenosti vodi se lahko na šivih pojavi nekaj vlage. Zaradi te vlage nitke nabreknejo in zapolnijo luknje, ki nastanejo med šivanjem.
- Popoln komplet rezervnih delov vsebuje:
 - sredstvo za impregniranje,
 - trak za popravilo in raztopino za popravilo,
 - silikonsko pršilo za zadrge,
 - rezervne kline.

Težava	Rešitev
Predšotor se slabo napihne.	<ul style="list-style-type: none">▶ Preverite, ali je ventil do konca privit v zračni steber.▶ Preverite, ali je gibka cev za napihovanje na ventilu zvita. Na to lahko opozarja zvok. Odvijte gibko cev za napihovanje.▶ Preverite, ali ročna tlačilka deluje.
Del predšotorja se ne napihne ali izprazni.	<ul style="list-style-type: none">▶ Preverite, ali so zaporni ventili, ki povezujejo zračne stebre, odprti.
Zračni stebri so upognjeni.	<ul style="list-style-type: none">▶ Dodajte več zraka (10 psi/0,69 bar).
Zrak uhaja.	<ul style="list-style-type: none">▶ Preverite, ali je ventil do konca privit v zračni steber in je tesnilni obroček nameščen.▶ Preverite, ali je pokrov ventila tesno nameščen.▶ Preverite, ali obstajajo luknje, glejte pogl. „Popravljanje luknje v zračni komori“ na strani 78.

Težava	Rešitev
Voda pušča.	<ul style="list-style-type: none">▶ Preverite, ali šivi kje ne tesnijo, če se spoji poškodovani in ali so določeni predeli mokri.▶ Če ne najdete netesnih mest, glejte pogl. „Kondenzat“ na strani 78.▶ Če najdete netesno mesto, nanesite tesnilo za šive.
Tkanina je raztrgana.	<ul style="list-style-type: none">▶ Luknjo zakrpajte s trakom za popravila.▶ Popravila mora izvesti strokovnjak.

Kondenzat

V notranjosti vseh predšotorov nastaja kondenzat, če je izpolnjen en od naslednjih pogojev:

- visoka zračna vlažnost,
- visoka vlažnost tal,
- padec temperature.

Če je kondenzata veliko, lahko steče po notranji strani strehe in kaplja z vrvi, trakov in drugih notranjih elementov, kar je lahko zmotno videti kot puščanje.

- ▶ Zagotovite boljše prezračevanje, tako da odprete vrata in/ali okna.
- ▶ Namestite vodotesno spodnjo ponjavo.

Popravljanje luknje v zračni komori

Če iz zračne komore uhaja zrak, sledite naslednjemu postopku:

1. Odprite zadrgo zunanjega ovoja in pri tem držite zračno komoro.
2. Zaprite zaporne ventile, če so nameščeni.
3. Odstranite zračno komoro.
4. Izpustite zrak iz zračne komore.
5. Odprite zadrgo zaščitnega ovoja, da pridete do zračnice.
6. Napolnite zrak v zračnico.
7. Zračnico potopite v vodo.
8. Najdite luknjo.
9. Luknjo zatesnite s trakom in raztopino za popravilo.
10. Zračnico znova vstavite v zaščitni ovoj.
11. Zračno komoro znova vstavite v zunanji ovoj in zaprite zadrgo.

- ▶ Upoštevajte tudi informacije na sl. 18, stran 7.

Odstranjevanje



- ▶ Embalažni material odstranite v primerne zabojnike za recikliranje odpadkov, če je to mogoče.
- ▶ Pri lokalnem centru za zbiranje odpadkov ali specializiranem prodajalcu se pozanimajte glede odstranjevanja izdelka v skladu z veljavnimi predpisi.

Garancija

Velja zakonsko določen garancijski rok. Če je izdelek pokvarjen, se obrnite na svojega trgovca ali podružnico proizvajalca v svoji državi (glejte dometic.com/dealer).

Za obravnavanje zahtevkov popravil oz. garancijskih zahtevkov morate skupaj z izdelkom poslati naslednjo dokumentacijo:

- Kopijo računa z datumom nakupa
- Razlog za reklamacijo ali opis napake

Upoštevajte, da lahko imajo lastnoročna ali neprofesionalna popravila varnostne posledice in lahko razveljavijo garancijo.

Garancija zajema proizvodne napake, materiale in dele. Garancija ne zajema bledenja prevleke in obrabe zaradi UV-sevanja, napačne uporabe, naključnih poškodb, poškodb v nevihti ali trajne, poltrajne ali komercialne uporabe. Ne zajema morebitne nastale škode. Za reklamacije se obrnite na prodajalca. To ne vpliva na vaše zakonske pravice.

Tehnični podatki

	Velikost 11	Velikost 12	Velikost 13	Velikost 14	Velikost 15	Velikost 16	Velikost 17	Velikost 18	Velikost 19
Dimenzije	glejte sl. 1 , stran 3								
Priključna višina	2350 – 2500 mm								
Bruto teža (škatla 1 in 2)	38,7 kg/ 15,2 kg	39,2 kg/ 15,2 kg	39,5 kg/ 16,5 kg	40,1 kg/ 16,5 kg	43,1 kg/ 17,0 kg	43,7 kg/ 17,0 kg	46,0 kg/ 18,0 kg	46,8 kg/ 18,0 kg	47,0 kg/ 18,2 kg
Neto teža	35,3 kg/ 13,5 kg	35,8 kg/ 13,5 kg	36,2 kg/ 14,8 kg	36,7 kg/ 14,8 kg	40,0 kg/ 15,3 kg	40,5 kg/ 15,3 kg	42,8 kg/ 16,0 kg	43,4 kg/ 16,0 kg	43,4 kg/ 16,7 kg

Citiți cu atenție și respectați toate instrucțiunile, indicațiile și avertismentele incluse în acest manual al produsului pentru a vă asigura că instalați, utilizați și întrețineți corect produsul în permanență. Aceste instrucțiuni TREBUIE păstrate împreună cu produsul.

Prin utilizarea produsului, confirmați că ați citit cu atenție toate instrucțiunile, indicațiile și avertismentele și că înțelegeți și sunteți de acord să respectați termenii și condițiile stabilite. Sunteți de acord să utilizați acest produs numai pentru scopul și aplicația prevăzute și în conformitate cu instrucțiunile, indicațiile și avertismentele prezentate în acest manual al produsului, precum și în conformitate cu toate legile și reglementările aplicabile. Nerespectarea instrucțiunilor și avertismentelor prezentate aici poate duce la vătămarea personală a utilizatorului sau a altora, la deteriorarea produsului sau a altor bunuri din apropiere. Acest manual al produsului, inclusiv instrucțiunile, indicațiile și avertismentele și documentația aferentă pot fi supuse modificărilor și actualizărilor. Pentru informații actualizate despre produs, vizitați documents.dometic.com, dometic.com.



Găsiți clipul video „Cum se instalează copertina pentru rulote” pe https://www.youtube.com/watch?v=hokC_gmD0IQ

Explicația simbolurilor



PERICOL!

Instrucțiuni de siguranță: Indică o situație periculoasă care, dacă nu este evitată, va provoca moartea sau vătămări grave.



AVERTIZARE!

Instrucțiuni de siguranță: Indică o situație periculoasă care, dacă nu este evitată, poate provoca moartea sau vătămări grave.



PRECAUȚIE!

Instrucțiuni de siguranță: Indică o situație periculoasă care, dacă nu este evitată, poate provoca vătămări minore sau medii.



ATENȚIE!

Indică o situație care, dacă nu este evitată, poate duce la pagube materiale.



INDICAȚIE

Informații suplimentare privind operarea produsului.

Instrucțiuni de siguranță



PERICOL! Nerespectarea acestor instrucțiuni duce la moarte sau vătămări corporale grave.

Pericol de intoxicație cu monoxid de carbon

- Nu folosiți niciodată un aparat care arde combustibil, cum ar fi grătare sau încălzitoare pe gaz în interiorul cortului tip verandă. Procesul de ardere produce monoxid de carbon care se acumulează în interiorul cortului tip verandă, deoarece nu există coș de fum.



AVERTIZARE! Nerespectarea acestor avertismente poate conduce la moarte sau vătămări grave.

Pericol de incendiu

- Nu apropiați surse de flacără și de căldură de materialul cortului.
- Asigurați-vă că cunoașteți măsurile de precauție împotriva incendiilor la fața locului.
- Nu gătiți în interiorul cortului tip verandă și nu folosiți flăcări deschise.

Pericol de asfixiere

- Asigurați-vă că orificiile de ventilație sunt deschise tot timpul pentru a evita sufocarea.



PRECAUȚIE! Nerespectarea acestor precauții poate conduce la vătămări minore sau moderate.

Risc de vătămare

- Acest aparat nu este destinat utilizării de către persoane (inclusiv copii) cu capacități fizice, senzoriale sau mentale reduse sau de către persoane lipsite de experiență și cunoștințe, cu excepția cazurilor în care acestea au fost supravegheate și instruite cu privire la utilizarea aparatului de către o persoană responsabilă pentru siguranța lor.
- Nu permiteți copiilor să se joace în jurul cortului tip verandă și asigurați-vă că sunt purtate încălțări de protecție adecvate. Ancorele de susținere reprezintă un pericol de împiedicare, iar bețele pot fi ascuțite.
- Curățarea și operațiunile de întreținere nu trebuie efectuate de copii fără supraveghere.
- Nu obstrucționați căile de trecere.

Domeniul de livrare

Componentă	Numărul
Cort tip verandă	1
Panou frontal	2
Panou lateral	2
Set de draperii din bumbac	1
Pompă Gale 12 V	1
Fustă anti-curent din PVC	1
Curele de furtună	2
Pachet de bețe	1
Geantă de transport	2
Manual de instalare și de utilizare	1

Accesorii

Disponibile ca și accesorii (nu sunt conținute în setul de livrare):

Denumire	Nr. art.
Residence AIR Tall Annexe	9120002142
Continental Carpet Residence	
• Mărime 11, 12	9120002286
• Mărime 13, 14	9120002221
• Mărime 15, 16	9120002223
• Mărime 17, 18	9120002225
• Mărime 19	9120002287
Mesh Panel Residence	
• Mărime 11	9120002274
• Mărime 12	9120002275
• Mărime 13	9120002144
• Mărime 14	9120002145
• Mărime 15	9120002146
• Mărime 16	9120002147
• Mărime 17	9120002148
• Mărime 18	9120002149
• Mărime 19	9120002276
Footprint Residence	
• Mărime 11	9120002277

Denumire	Nr. art.
• Mărime 12	9120002278
• Mărime 13	9120002151
• Mărime 14	9120002152
• Mărime 15	9120002153
• Mărime 16	9120002154
• Mărime 17	9120002155
• Mărime 18	9120002156
• Mărime 19	9120002279
Veranda Pole	9120002264
Veranda Storm Footplate	9120002157

Domeniul de utilizare

Acest cort tip verandă este adecvat pentru:

- Rulote
- Vreme ușoară spre moderată
- Turism
- Utilizare sezonieră

Acest cort tip verandă **nu** este adecvat pentru:

- Vânturi foarte puternice sau ninsori
- Utilizare comercială

Acest produs este potrivit numai pentru scopul și utilizarea prevăzute în conformitate cu aceste instrucțiuni.

Acest manual oferă informații necesare pentru instalarea și/sau utilizarea corectă a produsului. Instalarea defectuoasă și/sau utilizarea sau întreținerea necorespunzătoare vor avea ca rezultat performanțe nesatisfăcătoare și o posibilă defectare.

Producătorul nu își asumă nicio răspundere pentru orice vătămare sau deteriorare a produsului rezultate din:

- Asamblarea sau conectarea incorectă, inclusiv supratensiunea
- Întreținerea sau utilizarea incorectă a pieselor de schimb, altele decât piesele de schimb originale furnizate de producător
- Modificări aduse produsului fără aprobarea explicită din partea producătorului
- Utilizarea în alte scopuri decât cele descrise în manual

Dometic își rezervă dreptul de a modifica aspectul și specificațiile produsului.

Folosirea cortului tip verandă



PRECAUȚIE! Risc de vătămare și daune materiale
Nu deschideți niciodată fermoarul de pe manșonul de protecție în timp ce o structură gonflabilă este umflată. Acest lucru va duce la spargerea structurii gonflabile.

Înainte de prima utilizare

Familiarizați-vă cu produsul prin efectuarea unei instalări de test înainte ca produsul să fie utilizat pentru prima dată. Verificați dacă volumul de livrare este complet.

Alegerea unui loc

Alegeți un loc plat care este protejat de vânt:

1. Dacă este necesar, utilizați un paravan.
2. Alegeți un loc umbrat pentru a evita deteriorarea UV a țesăturii.
3. Evitați așezarea sub copaci, deoarece ramurile, rășina etc. pot deteriora produsul.

4. Curățați locul de pietre ascuțite și resturi pentru a evita deteriorarea foii de sol.
5. Instalați produsul cu ușile orientate în aceeași direcție spre care bate vântul.

Instalarea cortului tip verandă



PRECAUȚIE! Risc de vătămare și daune materiale

- Nu utilizați niciun tip de compresor proiectat pentru umflarea anvelopelor auto.
- Umflați structura gonflabilă numai în zona verde a manometrului pompei manuale furnizate (10 psi/0,69 bar).



ATENȚIE! Daune materiale

- Nu deschideți sau închideți fermoarele cu forța.
- Dacă pentru atașarea cortului tip verandă se folosește o copertină retractabilă, sprijiniți copertina retractabilă în timp ce lucrați pentru a evita solicitarea excesivă a acesteia. După atașarea cortului tip verandă, derulați copertina retractabilă complet înapoi în carcasă.



INDICAȚIE

- Cortul tip verandă include bețe rezistente. Acestea vor fi potrivite pentru multe locații, dar pentru unele tipuri de pământ vor fi necesare bețe speciale. Întrebați comerciantul.
- Introduceți bețele la un unghi de 45° opus față de cortul tip verandă în pământ.
- Fixați fiecare ancoră de susținere în linie cu cusătura de la care începe.

Țineți cont de următoarele sfaturi atunci când instalați cortul tip verandă:

- Cifrele oferă o imagine de ansamblu asupra instalării. Instalarea reală va varia ușor în funcție de modelul de cort tip verandă.
- Solicitați ajutor. Instalarea este mai ușoară cu mai mulți oameni.
- După ce ați ridicat cortul tip verandă în poziție verticală, verificați bețele de colț și fixați-le din nou dacă este necesar. Foaia de sol din interior trebuie să fie întinsă și să aibă o formă dreptunghiulară.
- Fixați ancorele de susținere, astfel încât cortul tip verandă să fie sub tensiune fără a distorsiona forma.
- Dacă sunt disponibile, atașați curelele de furtună.
- Verificați din când în când ancorele de susținere pentru a asigura o tensiune adecvată, dacă este necesar, utilizați ghidajele pentru a regla.

Instalați cortul tip verandă după cum urmează:

1. Pentru a proteja cortul tip verandă de murdărie și deteriorare, așezați o foaie de sol sau o folie înainte de a despacheta.
2. Despachetarea cortului tip verandă.
3. Separați și identificați diferitele componente.
4. Procedați așa cum este indicat pentru a instala cortul tip verandă (fig. 2, pagină 3 până la fig. 17, pagină 7).

Demontarea cortului tip verandă



ATENȚIE! Pericol de defectare

Nu folosiți forța atunci când demontați cortul tip verandă. În caz contrar, puteți deteriora orice material.

1. Îndepărtați orice murdărie din exterior.
2. Închideți toate jaluzelele sau îndepărtați draperiile.

3. Închideți toate ușile și deschiderile.
4. Dacă este montat, împingeți stâlpul baldachinului pentru a-l scoate din manșon, nu îl trageți.
5. Îndepărtați toate cablurile și curelele.
6. Scoateți toate bețele dintre bețele de colț.
7. Deschideți supapele fiecărui stâlp.
8. Așteptați până când cea mai mare parte a aerului a fost eliminată.
9. Scoateți cele patru bețe de colț.
10. Pliati/rulați cortul tip verandă spre supape pentru a elimina mai mult aer.
11. Când este dezumflat, rulați cortul tip verandă pentru a încape în geanta de transport.
12. Asigurați-vă că toate piesele sunt curate înainte de a le împacheta în geanta de transport.
13. Dacă cortul tip verandă este ud sau umed, uscați complet cât mai curând posibil.

Curățarea și întreținerea



ATENȚIE! Pericol de defectare

- Nu folosiți obiecte ascuțite sau dure sau agenți de curățare la curățare.
- Nu utilizați materiale pe bază de alcool, substanțe chimice, săpun și detergenți pentru curățare.
- Îndepărtați excrementele de păsări și rășina de copac cât mai curând posibil pentru a evita deteriorarea permanentă a materialului.

1. Dacă este necesar, curățați produsul cu apă curată și o perie moale.
2. Aplicați impregnare împotriva apei și a radiațiilor UV înainte de fiecare călătorie.

Depozitarea cortului tip verandă



INDICAȚIE

- Montați complet tenda pentru curățare.
- Alegeți o zi însorită pentru curățare pentru a vă asigura că materialul se va usca bine.

1. Curățați cortul tip verandă.
2. Aerisiți complet și asigurați-vă că ați uscat în totalitate cortul tip verandă înainte de a împacheta.
3. A se depozita într-un loc uscat și bine aerisit.

Folosirea stâlpilor de verandă (opțional)

Lungimea stâlpilor de verandă (accesorii) este complet reglabilă prin sistemele de blocare cu răsucire. Stâlpii pot fi folosiți pentru următoarele aplicații:

- Stâlpii pot oferi o rezistență suplimentară cortului tip verandă în condiții de vreme dificile. Cortul tip verandă are cinci poziții pentru montarea stâlpilor.
- Stâlpii pot fi montați vizavi de cele două deschideri de ușă, pentru a asigura o șină de uscare.
- Ușile și ferestrele pot fi rulate peste stâlpi, formând o deschidere pentru o mai bună circulație a aerului pe vreme bună.

Remediarea defecțiunilor



INDICAȚIE

- În timpul primei expunerii la apă, poate exista umiditate la cusături. Prin această umiditate firele se vor umfla și umple găurile care sunt create în procesul de cusut.
- Un kit de piese de schimb complet echipat ar trebui să includă:
 - Hidrozolator
 - Banda de reparare și soluție de reparație
 - Spray de silicon pentru fermoare
 - Bețe de rezervă

Problemă	Soluție
Cortul tip verandă se umflă doar cu dificultăți	<ul style="list-style-type: none"> ▶ Verificați dacă supapa este complet înșurubată în stâlpul de aer. ▶ Verificați dacă tubul de umflare este răsucit la supapă. Acest lucru poate fi indicat de zgomot. Desfaceți tubul de umflare. ▶ Verificați dacă pompa manuală funcționează.
O parte din cortul tip verandă nu se umflă sau dezumflă	▶ Verificați dacă toate supapele de izolare care conectează polii de aer sunt deschise.
Structura gonflabilă este îndoită	▶ Adăugați mai mult aer (10 psi/0,69 bar).
Pierdere de aer	<ul style="list-style-type: none"> ▶ Verificați dacă supapa este complet înșurubată în structura gonflabilă și dacă garnitura de etanșare este în poziție. ▶ Verificați dacă capacul supapei este bine fixat. ▶ Verificați dacă există perforații, vezi capitolul „Repararea unei perforații în structura gonflabilă” la pagină 82.
Scurgere de apă	<ul style="list-style-type: none"> ▶ Verificați dacă există cusături care curg, benzi deteriorate și zone umede. ▶ Dacă nu găsiți nicio scurgere, consultați capitolul „Condens” la pagină 82. ▶ Dacă găsiți vreo scurgere, aplicați agent de etanșare pentru cusături.
Țesătură ruptă	<ul style="list-style-type: none"> ▶ Utilizați bandă de reparare pentru a sigila materialul. ▶ Solicitați reparațiile efectuate de un specialist autorizat.

Condens

Toate corturile tip verandă suferă condens intern dacă apar una sau mai multe dintre următoarele condiții:

- Umiditate ridicată a aerului
- Umiditate ridicată a solului
- O scădere a temperaturii

Condensul sever poate curge pe interiorul acoperișului și poate picura pe legături, benzi și alte accesorii interne și poate fi confundat cu scurgeri.

- ▶ Creșteți ventilația prin deschiderea ușilor și/sau ferestrelor.
- ▶ Instalați o foaie de sol impermeabilă.

Repararea unei perforații în structura gonflabilă

Dacă structura gonflabilă pierde aer, procedați după cum urmează:

1. Desfaceți fermoarul manșonului exterior care ține structura gonflabilă.
2. Dacă sunt instalate, închideți supapele de izolare.
3. Scoateți structura gonflabilă.
4. Dezumflați structura gonflabilă.

5. Desfaceți fermoarul manșonului de protecție pentru a expune tubul gonflabil.
 6. Suflați puțin aer în tubul gonflabil.
 7. Scufundați tubul în apă.
 8. Localizați perforația.
 9. Utilizați bandă de reparare și soluție de reparare pentru a sigila gaura.
 10. Închideți cu fermoar tubul gonflabil înapoi în manșonul de protecție.
 11. Închideți cu fermoar structura gonflabilă înapoi în manșonul exterior.
- Consultați și informațiile de la fig. 18, pagină 7.

Eliminarea



- Depuneți materialul de ambalare pe cât posibil în containerele corespunzătoare de reciclare.
- Consultați un centru local de reciclare sau un reprezentant specializat pentru detalii despre detalii cu privire la eliminarea produsului în conformitate cu reglementările aplicabile privind eliminarea.

Garanție

Se aplică termenul de garanție legal. În cazul în care produsul este defect, vă rugăm să contactați sucursala distribuitorului sau producătorului din țara dvs. (consultați dometic.com/dealer) sau comerciantul dvs. cu amănuntul.

Pentru reparații și procesarea garanției, vă rugăm să includeți următoarele documente atunci când trimiteți produsul:

- O copie a facturii cu data cumpărării
- Un motiv de reclamație sau o descriere a defecțiunii.

Rețineți că repararea prin mijloace proprii sau reparațiile neprofesionale pot avea consecințe asupra securității și pot anula garanția.

Garanția acoperă defecte de fabricație, materiale și piese. Garanția nu acoperă decolorarea husei și uzura cauzată de radiația UV, utilizarea greșită, deteriorarea accidentală sau utilizarea permanentă, semipermanentă sau de natură comercială. Nu acoperă daunele rezultate. Vă rugăm să contactați comerciantul dumneavoastră pentru reclamații. Acest lucru nu afectează drepturile dumneavoastră legale.

Date tehnice

	Mărime 11	Mărime 12	Mărime 13	Mărime 14	Mărime 15	Mărime 16	Mărime 17	Mărime 18	Mărime 19
Dimensiuni	vezi fig. 11, pagină 3								
Înălțime conexiune	2350 – 2500 mm								
Greutate brută (cutiile 1 și 2)	38,7 kg/ 15,2 kg	39,2 kg/ 15,2 kg	39,5 kg/ 16,5 kg	40,1 kg/ 16,5 kg	43,1 kg/ 17,0 kg	43,7 kg/ 17,0 kg	46,0 kg/ 18,0 kg	46,8 kg/ 18,0 kg	47,0 kg/ 18,2 kg
Greutate netă	35,3 kg/ 13,5 kg	35,8 kg/ 13,5 kg	36,2 kg/ 14,8 kg	36,7 kg/ 14,8 kg	40,0 kg/ 15,3 kg	40,5 kg/ 15,3 kg	42,8 kg/ 16,0 kg	43,4 kg/ 16,0 kg	43,4 kg/ 16,7 kg

Моля, прочетете внимателно тези инструкции и спазвайте всички указания, напътствия и предупреждения, включени в настоящото ръководство, за да сте сигурни че инсталирате, използвате и поддържате правилно този продукт. Инструкциите ТРЯБВА винаги да съпровождат продукта.

Като използвате продукта, потвърждавате, че сте прочели внимателно всички указания, напътствия и предупреждения, и че разбирате и приемате да спазвате правилата и условията, съдържащи се в тях. Съгласявате се да използвате този продукт само по предназначение и в съответствие с указанията, напътствията и предупрежденията, дадени в ръководството на продукта, както и в съответствие с всички приложими закони и разпоредби. Ако не прочетете и не спазвате инструкциите и предупрежденията, това може да доведе до наранявания за Вас или за други хора, шети по продукта или шети по други предмети в близост до него. Това ръководство за продукта, включително указанията, напътствията и предупрежденията и другата документация, подлежи на промяна и обновяване. За актуална информация за продукта, моля, посетете documents.dometic.com, dometic.com.



Вижте видеоклипа „Как да монтирате тентата си за каравана“ тук
https://www.youtube.com/watch?v=hokC_gmD0IQ

Значение на символите



ОПАСНОСТ!

Инструкция за безопасност: Показва опасна ситуация която, ако не бъде избегната, ще доведе до смърт или тежко нараняване.



ПРЕДУПРЕЖДЕНИЕ!

Инструкция за безопасност: Показва опасна ситуация която, ако не бъде избегната, може да доведе до смърт или тежко нараняване.



ВНИМАНИЕ!

Инструкция за безопасност: Показва опасна ситуация която, ако не бъде избегната, може да доведе до леко или средно нараняване.



ВНИМАНИЕ!

Показва ситуация която, ако не бъде избегната, може да доведе до материални щети.



УКАЗАНИЕ

Допълнителна информация за работа с продукта.

Инструкции за безопасност



ОПАСНОСТ! Несъобразяването с тази инструкция ще доведе до смърт или сериозно нараняване.

Опасност от отравяне с въглероден оксид

- Никога не използвайте уред с горене на гориво, като барбекюта или газови печки, вътре в тентовата палатка. Процесът на изгаряне произвежда въглероден оксид, който се натрупва вътре в тентовата палатка, тъй като няма вентилационна тръба.



ПРЕДУПРЕЖДЕНИЕ! Неспазването на тези предупреждения може да доведе до смърт или сериозни наранявания.

Опасност от пожар

- Дръжте всички пламъци и източници на топлина далеч от плата на тази палатка.
- Задължително се запознайте с мерките за противопожарна безопасност на даденото място.
- Не гответе вътре в тентовата палатка и не използвайте открити пламъци.

Пазете се от задушаване

- Уверете се, че вентилационните отвори са отворени през цялото време, за да избегнете задушаване.



ВНИМАНИЕ! Неспазването на тези предупреждения може да доведе до леки или средни наранявания.

Риск от нараняване

- Продуктът не е предназначен за използване от лица (включително деца) с намалени физически, осезателни или умствени способности или лица с недостатъчни опит и умения, освен ако не са били инструктирани за използването на продукта от лице, отговарящо за тяхната безопасност.
- Не позволявайте на деца да играят около тентовата палатка и се уверете, че се носят подходящи защитни обувки. Връзките за опън представляват опасност от спъване и колчетата могат да бъдат остри.
- Почистване и поддръжка не трябва да се извършва от деца без наблюдение.
- Поддържайте проходите чисти.

Обхват на доставката

Компонент	Количество
Тентова палатка	1
Преден панел	2
Страничен панел	2
Комплект памучни завеси	1
Помпа Gale 12 V	1
Пола от PVC против течение	1
Ремъци за буря	2
Пакет колчета	1
Торба за носене	2
Ръководство за инсталиране и експлоатация	1

Принадлежности

Налични като принадлежности (не са включени в обхвата на доставката):

Описание	Инв. №
Residence AIR Tall Annexe	9120002142
Килим Continental Residence	
• Размер 11, 12	9120002286
• Размер 13, 14	9120002221
• Размер 15, 16	9120002223
• Размер 17, 18	9120002225
• Размер 19	9120002287
Мрежест панел Residence	
• Размер 11	9120002274
• Размер 12	9120002275
• Размер 13	9120002144
• Размер 14	9120002145
• Размер 15	9120002146
• Размер 16	9120002147
• Размер 17	9120002148
• Размер 18	9120002149
• Размер 19	9120002276
Подложка Residence	
• Размер 11	9120002277

Описание	Инв. №
• Размер 12	9120002278
• Размер 13	9120002151
• Размер 14	9120002152
• Размер 15	9120002153
• Размер 16	9120002154
• Размер 17	9120002155
• Размер 18	9120002156
• Размер 19	9120002279
Камера за веранда	9120002264
Подложка против буря за веранда	9120002157

Използване по предназначение

Тази тентова палатка е подходяща за:

- каравани;
- метеорологични условия с ниска до умерена степен на сериозност;
- пътувания на дълги разстояния с туристическа цел;
- сезонен терен.

Тази тентова палатка **не** е подходяща за:

- много силни ветрове или снеговалеж;
- търговска употреба.

Този продукт е подходящ само за предвидената цел и приложение съгласно настоящите инструкции.

Това ръководство предоставя информация, необходима за правилната инсталация и/или експлоатация на продукта. Лошо инсталиране и/или неправилна употреба и поддръжка ще доведат до незадоволителна работа и евентуално до повреди.

Производителят не носи отговорност за наранявания и повреди по продукта, причинени от:

- Неправилен монтаж и свързване, включително прекалено високо напрежение
- Неправилна поддръжка или използване на резервни части, различни от оригиналните, предоставяни от производителя
- Изменения на продукта без изрично разрешение от производителя
- Използване за цели, различни от описаните в това ръководство

Dometic си запазва правото да променя външния вид и спецификациите на продукта.

Използване на тентовата палатка



ВНИМАНИЕ! Риск от нараняване и материални щети

Никога не отваряйте ципа на защитния ръкав, докато още има възможност за изпълване с въздух на въздушна камера. Това ще доведе до пръсване на въздушната камера.

Преди първата употреба

Запознайте се с продукта, като извършите тестово разпъване, преди продуктът да се използва за първи път. Проверете дали обхвата на доставката е пълен.

Избиране на място

Изберете равно място, което е защитено от вятър:

1. Ако е необходимо, използвайте преграда срещу вятър.

2. Изберете сенчесто място, за да избегнете увреждане на плата поради излагане на ултравиолетово лъчение.
3. Избягвайте разпъването на палатката под дървета, тъй като падащи клони, смола и т.н. могат да повредят продукта.
4. Отстранете остри камъни и замърсявания от мястото, за да избегнете повреда на пода за палатка.
5. Разпънете продукта, така че вратите да са обърнати настрани от вятъра.

Разпъване на тентовата палатка



ВНИМАНИЕ! Риск от нараняване и материални щети

- Не използвайте никакъв тип компресор, предназначен за напompване на автомобилни гуми.
- Изпълнете с въздух въздушните камери само в зелената зона на манометъра на доставената ръчна помпа (10 psi/0,69 bar).



ВНИМАНИЕ! Материални щети

- Не отваряйте и не затваряйте циповете със сила.
- Ако се използва тента тип „навес“ за закрепване на тентовата палатка, подпрете тентата тип „навес“, докато работите, за да избегнете оказването на прекалено голям натиск върху нея. След като закрепите тентовата палатка, навийте тентата тип „навес“ обратно в корпуса ?.



УКАЗАНИЕ

- Тентовата палатка се доставя с колчета с висока издръжливост. Те ще бъдат подходящи за много места, но за някои типове терен ще бъдат необходими специални колчета. Попитайте Вашия търговец.
- Забийте колчетата под ъгъл 45° встрани от тентовата палатка в земята.
- Закрепете с колче всяка връзка за опън по права линия на шева, от който започва.

Имайте предвид следните съвети, докато разпъвате тентовата палатка:

- На фигурите е предоставен общ преглед на процеса на разпъване. Действителният процес на разпъване ще се различава леко в зависимост от модела на тентовата палатка.
- Помолете за помощ. Процесът на разпъване се извършва по-лесно с повече хора.
- След като разпънете тентовата палатка в изправено положение, проверете ъгловите колчета и ги закрепете отново, ако е необходимо. Подът за палатка от вътрешната страна трябва да бъде опънат и в правоъгълна форма.
- Закрепете с колче връзките за опън, така че тентовата палатка да е под напрежение, без да се изкривява формата.
- Ако има такива, закрепете ремъците за буря.
- Проверявайте връзките за опън от време на време, за да осигурите адекватно обтягане, ако е необходимо, използвайте плъзгачите, за да регулирате.

Разпънете тентовата палатка, както следва:

1. За да предпазите тентовата палатка от замърсяване и повреда, поставете под за палатка или подложка, преди да разопаковате.
2. Разопакувайте тентовата палатка.
3. Разделете и идентифицирайте различните компоненти.
4. Продължете, както е показано, за да разпънете тентовата палатка (фиг. 2, стр. 3 до фиг. 17, стр. 7).

Разглобяване на тентовата палатка



ВНИМАНИЕ! Опасност от повреда

Не използвайте сила при разглобяване на тентовата палатка. В противен случай може да повредите всеки от материалите.

1. Отстранете всички замърсявания от външната част.
2. Затворете всички шори на прозорците или свалете завесите.
3. Затворете всички врати и отвори.
4. Ако е монтирана, избутайте камерата за навеса от ръкава, не я дърпайте.
5. Отстранете всички връзки и ремъци.
6. Отстранете всички колчета между ъгловите колчета.
7. Отворете клапаните на всяка камера.
8. Изчакайте, докато по-голямата част от въздуха бъде изпусната.
9. Отстранете четирите ъглови колчета.
10. Сгънете/навийте тентовата палатка към клапаните, за да изпуснете още въздух.
11. Когато се изпусне въздухът, навийте тентовата палатка, за да се побере в торбата.
12. Уверете се, че всички части са чисти, преди да ги поставите в торбата.
13. Ако тентовата палатка е мокра или влажна, я изсушете напълно възможно най-скоро.

Почистване и поддръжка



ВНИМАНИЕ! Опасност от повреда

- Не използвайте остри предмети или почистващи средства за почистването.
- Не използвайте материали на спиртна основа, химикали, сапун и препарати за почистване.
- Отстранете птичите изпражнения и дървесната смола възможно най-скоро, за да избегнете трайно увреждане на материала.

1. Ако е необходимо, почистете продукта с чиста вода и мека четка.
2. Нанасяйте спрей срещу вода и ултравиолетово лъчение преди всяко пътуване.

Съхраняване на тентовата палатка



УКАЗАНИЕ

- Напълно разпънете тентовата палатка за почистване.
- Изберете слънчев ден за почистване, за да сте сигурни, че материалът ще изсъхне напълно.

1. Почистете тентовата палатка.
2. Проветрете напълно и се уверете, че тентовата палатка е напълно изсъхнала, преди да я приберете за съхранение.
3. Съхранявайте на сухо място с добро проветрение.

Използване на камерите за веранда (опция)

Дължината на камерите за веранда (аксесоари) е напълно регулируема с шифтовете за усукване. Камерите могат да се използват за следните приложения:

- Полюсите могат да придадат допълнителна здравина на тентовата палатка при тежки метеорологични условия. Тентовата палатка има пет позиции за монтиране на камерите.
- Камерите могат да бъдат монтирани през двата отвора на вратите, за да се осигури релса за сушене.
- Вратите и прозорците могат да се навият над камерите, образувайки отвор за по-добра циркулация на въздуха в хубаво време.

Отстраняване на неизправности



УКАЗАНИЕ

- При първото излагане на вода може да се образува малко влага при шевовете. Тази влага ще причини подуването на нишките и запълването на отворите, които се създават по време на процеса на шиене.
- Напълно оборудваният комплект резервни части трябва да включва:
 - Водоустойчиво покритие
 - Залепващо средство за ремонт и разтвор за ремонт
 - Силиконов спрей за циповете
 - Резервни колчета

Проблем	Решение
Тентовата палатка се надува само със затруднение	<ul style="list-style-type: none">▶ Проверете дали клапанът е напълно завинтен във въздушната камера.▶ Проверете дали тръбата за надуване не е усукана при клапана. Това може да бъде указано от шум. Премахнете усукването на тръбата за надуване.▶ Проверете дали ръчната помпа работи.
Част от тентовата палатка не се изпълва с въздух или от част от нея не се изпуска въздух	<ul style="list-style-type: none">▶ Проверете дали всички изолационни клапани, които свързват въздушните камери, са отворени.
Въздушните камери са усукани	<ul style="list-style-type: none">▶ Добавете още въздух (10 psi/0,69 bar).
Изтичане на въздух	<ul style="list-style-type: none">▶ Проверете дали клапанът е напълно завинтен във въздушната камера и дали уплътнението на пръстена е на мястото си.▶ Проверете дали капачката на клапана е затегната плътно.▶ Проверете за пробойни, вижте гл. „Ремонтиране на пробойна във въздушната камера“ на стр. 87.
Изтичане на вода	<ul style="list-style-type: none">▶ Проверете за течове при шефовете, повредени средства за залепване и влажни зони.▶ Ако не можете да намерите течове, вижте гл. „Кондензация“ на стр. 86.▶ Ако откриете течове, нанесете уплътнител за шевовете.
Разкъсване в плата	<ul style="list-style-type: none">▶ Използвайте средство за залепване за ремонтни дейности, за да запечатате плата.▶ Обърнете се към оторизиран специалист за извършване на ремонтни дейности.

Кондензация

При всички тентови палатки се наблюдава вътрешен конденз, ако е налице едно или повече от следните условия:

- Висока влажност на въздуха
- Висока влажност на почвата
- Спад в температурата

При натрупването на голямо количество конденз, той може да се стече от вътрешната страна на покрива и да капе от връзки, средства за залепване и други вътрешни уплътнения и може погрешно да бъде помислен за теч.

- ▶ Увеличете вентилацията, като отворите вратите и/или прозорците.
- ▶ Монтирайте водоустойчив под за палатка.

Ремонтиране на пробойна във въздушната камера

Ако въздушната камера изпусне въздух, направете следното:

1. Свалете ципа на външния ръкав, в който се помещава въздушната камера.
 2. Ако има монтирани, затворете изолационните клапани.
 3. Отстранете въздушната камера.
 4. Изпуснете въздуха от въздушната камера.
 5. Свалете ципа на защитния ръкав, за да откриете тръбата за изпълване с въздух.
 6. Продушайте малко въздух в тръбата за изпълване с въздух.
 7. Потопете тръбата във вода.
 8. Намерете пробойната.
 9. Използвайте средство за запепване за ремонтни дейности и разтвор за ремонтни дейности, за да запечатате дупката.
 10. Поставете тръбата за изпълване с въздух обратно в защитния ръкав и вдигнете ципа.
 11. Поставете въздушната камера във външния ръкав и вдигнете ципа.
- Имайте също така предвид информацията, предоставена в фиг. 18, стр. 7.

Изхвърляне



- По възможност предайте опаковката за рециклиране.
- Консултирайте се с местен център за рециклиране или с продавача за правилното изхвърляне на продукта в съответствие с действащите предписания.

Гаранция

Важи гаранционният срок, определен от закона. Ако продуктът е дефектен, моля свържете се с търговеца или с филиала на производителя във Вашата страна (виж dometic.com/dealer).

За обработката на гаранцията и ремонта, моля приложете следните документи, когато изпращате продукта:

- Копие от фактурата с дата на покупката
- Причина за претенцията или описание на дефекта

Отбележете, че саморъчен или непрофесионален ремонт може има последствия за безопасността и да анулира гаранцията.

Гаранцията покрива производствени дефекти, материали и части. Гаранцията не покрива изbledняване на покритието и износване, дължащи се на ултравиолетово лъчение, неправилна употреба, случайна повреда, повреда вследствие на буря или постоянна, полупостоянна или употреба за търговски цели. Тя не покрива възникнали при това щети. При гаранционни претенции, моля влезте във връзка с търговеца. Това не засяга Вашите законни права.

Технически данни

	Размер 11	Размер 12	Размер 13	Размер 14	Размер 15	Размер 16	Размер 17	Размер 18	Размер 19
Размери	вижте фиг. 1, стр. 3								
Височина на свързване	2350 – 2500 мм								
Брутно тегло (Кашон 1 и 2)	38,7 кг/ 15,2 кг	39,2 кг/ 15,2 кг	39,5 кг/ 16,5 кг	40,1 кг/ 16,5 кг	43,1 кг/ 17,0 кг	43,7 кг/ 17,0 кг	46,0 кг/ 18,0 кг	46,8 кг/ 18,0 кг	47,0 кг/ 18,2 кг
Нетно тегло	35,3 кг/ 13,5 кг	35,8 кг/ 13,5 кг	36,2 кг/ 14,8 кг	36,7 кг/ 14,8 кг	40,0 кг/ 15,3 кг	40,5 кг/ 15,3 кг	42,8 кг/ 16,0 кг	43,4 кг/ 16,0 кг	43,4 кг/ 16,7 кг

Lugege see juhend tähelepanelikult läbi ja järgige kõiki selles esitatud juhiseid, suuniseid ja hoiatusi, et tagada alati toote õigesti paigaldamine, kasutamine ning hooldamine. Juhend PEAB jääma selle toote juurde.

Toote kasutamise kinnitamine, et olete kõik juhised, suunised ja hoiatused tähelepanelikult läbi lugenud ning mõistate ja nõustate järgima nendes sätestatud tingimusi. Nõustute kasutama seda toodet üksnes ettenähtud eesmärgil ja otstarbel ning kooskõlas tootejuhendis sätestatud juhistega, suuniste ja hoiatustega, samuti kooskõlas kõigi kohaldatavate õigusaktide ja eeskirjadega. Siin sätestatud juhiste ja hoiatuste lugemise ja järgimise eiramine võib põhjustada vigastusi teile ja kolmandatele isikutele, kahjustada teie toodet või läheduses asuvat muud vara. Toote tootejuhendit, sh juhiseid, suuniseid ja hoiatusi ning nendega seotud dokumentatsiooni, võidakse muuta ja uuendada. Värskeima tooteteabe leiate veebisaidilt documents.dometic.com, [dometic.com](https://www.dometic.com).



Vaadake videot „How To Set Up Your Caravan Awning“ (kuidas püstitada haagissuvila varikatust) aadressil https://www.youtube.com/watch?v=hokC_gmD0IQ

Sümbolite selgitus



OHT!

Ohutusjuhised: viitab ohtlikule olukorrale, mille eiramine põhjustab surma või raske vigastuse.



HOIATUS!

Ohutusjuhised: viitab ohtlikule olukorrale, mille eiramine võib põhjustada surma või raske vigastuse.



ETTEVAATUST!

Ohutusjuhised: viitab ohtlikule olukorrale, mille eiramine võib põhjustada kerge või mõõduka vigastuse.



TÄHELEPANU!

Viitab ohtlikule olukorrale, mis eiramise korral võib põhjustada varalist kahju.



MÄRKUS

Lisateave toote käitamiseks.

Ohutusjuhised



OHT! Selle juhise eiramine põhjustab raskeid vigastusi või surma.

Süsinikmonooksiidi mürgistuse oht

- Kunagi ärge varikatusega telgis kasutage kütust põlevaid seadmeid, nagu grillid või gaasipõletid. Põlemise käigus tekib süsinikmonooksiid, mis koguneb varikatusega telki, kuna suitsukanal puudub.



HOIATUS! Nende hoiatuste mittejärgimine võib põhjustada raskeid vigastusi või surma.

Tuleoht

- Hoidke kõik tule- ja soojusallikad selle telgi kangast eemal.
- Veenduge, et tunnete kohapealseid tuleohutusmeetmeid.
- Ärge tehke varikatusega telgis süüa ega kasutage lahtist leeki.

Lämbumisoht

- Lämbumisohtu vältimiseks veenduge, et ventilatsioonivad oleksid alati avatud.



ETTEVAATUST! Nende ettevaatusabinõude mittejärgimine võib põhjustada kergeid või mõõdukaid vigastusi.

Vigastusoht

- See seade ei ole ette nähtud kasutamiseks inimestele (sh lapsed), kellel on piiratud füüsilised, sensoorsed või vaimsed võimed või kellel puuduvad vastavad kogemused ja teadmised, välja arvatud juhul, kui nad kasutavad seadet nende ohutuse eest vastutava inimese järelevalve all või see inimene on neid seadet kasutama õpetanud.

- Ärge lubage lastel varikatusega telgi ümbruses mängida ning veenduge, et kantaks sobivaid turvajalatsid. Telginõõride tõttu valitseb komistusohu ning vaiaid võivad olla teravad.
- Lapsed ei tohi seadet ilma järelevalveta puhastada ega hooldada.
- Hoidke vahekäigud vabad.

Tarnepakk

Komponent	Total
Varikatusega telk	1
Esipaneel	2
Küljepaneel	2
Puuvillane kardinakomplekt	1
12 V pump Gale	1
PVC-tuuleääris	1
Tormirihmad	2
Vaiakomplekt	1
Kandekott	2
Paigaldus- ja kasutusjuhend	1

Lisatarvikud

Lisatarvikutena on olemas (ei sisaldu tarnepakis):

Tähistus	Tootenr
Residence AIR Tall Annexe	9120002142
Vaip Continental Residence	
• Suurus 11, 12	9120002286
• Suurus 13, 14	9120002221
• Suurus 15, 16	9120002223
• Suurus 17, 18	9120002225
• Suurus 19	9120002287
Vörgupaneel Residence	
• Suurus 11	9120002274
• Suurus 12	9120002275
• Suurus 13	9120002144
• Suurus 14	9120002145
• Suurus 15	9120002146
• Suurus 16	9120002147
• Suurus 17	9120002148
• Suurus 18	9120002149
• Suurus 19	9120002276
Kaitsealus Residence	
• Suurus 11	9120002277
• Suurus 12	9120002278
• Suurus 13	9120002151
• Suurus 14	9120002152
• Suurus 15	9120002153
• Suurus 16	9120002154
• Suurus 17	9120002155
• Suurus 18	9120002156
• Suurus 19	9120002279

Tähistus	Tootenr
Verandalatt	9120002264
Veranda latiotsak Storm	9120002157

Kasutusotstarve

See varikatusega telk sobib kasutamiseks:

- haagissuvilates
- heades kuni mõõdukalt rasketes ilmastikutingimustes
- reisimisel
- pikaajalisel telkimisel

See varikatusega telk **ei** sobi kasutamiseks:

- väga tugeva tuule või lumesajuga
- äriotstarbel

See toode sobib kasutamiseks üksnes ettenähtud otstarbel ja käesolevas kasutusjuhendis toodud valdkonnas.

Käesolev juhend sisaldab teavet, mis on vajalik toote korrektseks paigaldamiseks ja/või kasutamiseks. Halva paigalduse ja/või valesti kasutamise või hooldamise korral halvenevad tööomadused ja võib tekkida rike.

Tootja ei võta vastutust mis tahes kahju või tootekahjustuse eest, mis on tingitud mõnest järgmisest asjaolust:

- valesti kokkupanek või ühendamine, sh liigpinge;
- valesti hooldamine või tootja poolt ette nähtud originaalvaruosadest erinevate varuosade kasutamine;
- tootel ilma tootja selge loata tehtud muudatused;
- kasutamine otstarbel, mida ei ole kasutusjuhendis kirjeldatud.

Dometic jätab endale õiguse muuta toote välimust ja tehnilisi näitajaid.

Varikatusega telgi kasutamine



ETTEVAATUST! Vigastusohu ja varalise kahju oht

Kunagi ärge avage kaitseümbrise tõmbelukku, kui õhkpost on täis puhutud. Õhkpost võib seetõttu lõhkeda.

Enne esmakordset kasutamist

Tutvuge tootega, püstitades selle enne esmakordset kasutamist prooviks. Kontrollige, kas tarnekomplekt on terviklik.

Koha valimine

Valige tasane koht, mis on tuule eest kaitstud.

1. Vajaduse korral kasutage tuulevarju.
2. Valige varjuline koht, et vältida kanga kahjustumist UV-kiirguse tõttu.
3. Vältige puude alla püstitamist, kuna kukuvad oksad, vaik jne võivad toodet kahjustada.
4. Eemaldage teravad kivid ja praht, et vältida presentaluse kahjustamist.
5. Paigaldage toode nii, et ukсед ei jääks tuule poole.

Varikatusega telgi püstitamine



ETTEVAATUST! Vigastusohu ja varalise kahju oht

- Ärge kasutage autorehvide täispumpamiseks mõeldud kompressorit.
- Täitke õhkpostid ainult kaasasoleva käsipumba manomeetri rohelise vahemikuni (10 psi / 0,69 bar).



TÄHELEPANU! Varaline kahju

- Ärge avage ega sulgege tõmbelukke jõuga.
- Kui telgi kinnitamiseks kasutatakse väljakeritavat varikatust, toestage väljakeritav varikatust tööde ajaks, et vältida selle liigset koormamist. Pärast varikatusega telgi kinnitamist kerige väljakeritav varikatust taas täielikult korpusesse.



MÄRKUS

- Varikatusega telgi juurde kuuluvad tugevad vaiad. Need sobivad kasutamiseks paljudes kohtades, kuid mõne pinnasetüübi puhul võib olla vaja erivaiu. Küsige liseteavet edasimüüjalt.
- Lööge vaiad 45° nurga all varikatusega telgist eemale suunatud maasse.
- Kinnitage kõik telginöörid selle lähteõmblusega samale joonele.

Pidage varikatusega telgi püstitamisel meeles järgmisi nõuandeid.

- Joonistel on kujutatud üldine ülevaade püstitamisest. Tegelik püstitamine võib varikatusega telgi mudelist olenevalt veidi erineda.
- Võtke keegi appi. Mitmekesi on püstitamine lihtsam.
- Pärast varikatusega telgi püsti seadmist kontrollige nurgavaiu ja kinnitage need vajaduse korral uuesti. Sisemine presentalus peaks olema pingul ja riskülikukujuline.
- Kinnitage telginöörid vaiadega nii, et varikatusega telk oleks pingul, kuid selle kuju poleks moonutatud.
- Kui tormirihmad on olemas, kinnitage need.
- Kontrollige aeg-ajalt telginööre, et veenduda nende piisavas pingsuses, vajaduse korral reguleerige pingutitist.

Varikatusega telgi püstitamiseks tehke järgmist.

1. Enne lahtipakkimist laotage maha presentalus või aluskile, et kaitsta varikatusega telki mustuse ja kahjustuste eest.
2. Pakkige varikatusega telk lahti.
3. Võtke komponendid välja ja tutvuge nendega.
4. Püstitage varikatusega telk, nagu joonistel näidatud (joonis **2**, lehekülg 3 – joonis **17**, lehekülg 7).

Varikatusega telgi lahtivõtmine



TÄHELEPANU! Kahjustuste oht

Ärge kasutage varikatusega telgi lahtivõtmisel jõudu. Vastasel juhul võite materjale kahjustada.

1. Eemaldage välispinnalt mustus.
2. Sulgege kõik aknakatted või eemaldage kardinaid.
3. Sulgege kõik ukсед ja avad.
4. Kui varikatuse post on paigaldatud, lükake see ümbrisest välja, ärge tõmmake.
5. Eemaldage kõik nöörid ja rihmad.
6. Eemaldage nurgavaiade vahelt kõik vaiad.
7. Avage iga posti ventiilid.
8. Oodake, kuni enamik õhku on väljunud.
9. Eemaldage neli nurgavaiu.

- Voltige/rullige varikatusega telki ventiilide suunas, et korruga rohkem õhku väljuks.
- Kui õhk on väljas, rullige varikatusega telk kokku, et see kandekotti mahuks.
- Veenduge, et kõik osad oleksid puhtad, enne kui need kandekotti panete.
- Kui varikatusega telk on märg või niiske, pange see esimesel võimalusel kuivama.

Puhastamine ja hooldamine



TÄHELEPANU! Kahjustuste oht

- Ärge kasutage puhastamiseks kõvasid objekte ja puhastusvahendeid.
- Ärge kasutage puhastamiseks alkoholi baasil materjale, kemikaale, seepi ning puhastusvahendeid.
- Eemaldage lindude väljaheitel ja puiduvaik võimalikult ruttu, et vältida materjali püsivat kahjustamist.

- Vajaduse korral puhastage toode puhta vee ja pehme harjaga.
- Iga kord enne reisi impregneerige kaitseks vee ja UV-kiirguse eest.

Varikatusega telgi hoistamine



MÄRKUS

- Puhastamiseks püstitage varikatusega telk täielikult.
- Valige puhastamiseks päikeseline päev, et materjal täiesti ära kuivaks.

- Puhastage varikatusega telk.
- Täitke täielikult õhuga ja enne pakkimist veenduge, et varikatusega telk oleks täiesti kuiv.
- Hoiustage hea ventilatsiooniga kuivas kohas.

Verandalattide kasutamine (valikuline)

Verandalattide (lisavarustus) pikkust saab pöördlukkudega reguleerida. Latte saab kasutada järgmisel otstarbel.

- Latid pakuvad varikatusega telgile rasketes ilmastikutingimustes lisatuge. Varikatusega telgil on lattide paigaldamiseks viis asendit.
- Latte saab paigaldada kahe ukseava vahele, et moodustada neist kuivatuslatt.
- Uksed ja aknad saab lattidele rullida, nii et tekib ava, mis võimaldab ilusa ilma korral õhul liikuda.

Tõrgete kõrvaldamine



MÄRKUS

- Esmakordsel veega kokkupuutumisel võivad õmblused niisked olla. See niiskus paisutab niite, täites õmblemisel tekkinud augud.
- Täisvarustuses varuosakomplekt peaks sisaldama järgmist.
 - Veekindlust parandav vahend
 - Parandusteip ja paranduslahust
 - Silikoonsprei tõmblukkude jaoks
 - Varuvaiaid

Probleem	Lahendus
Varikatusega telgi täispuhumine on raske	<ul style="list-style-type: none"> Kontrollige, kas ventiil on täielikult õhkposti sisse keeratud. Kontrollige, et õhuvoolik ei oleks ventiili juures keeratud. Heli võib sellest märku anda. Vabastage õhuvooliku keerd. Kontrollige, kas käsipump töötab.

Probleem	Lahendus
Osa varikatusega telgist ei täitu õhuga või osast telgist tule õhk välja	<ul style="list-style-type: none"> Kontrollige, kas kõik õhkposte ühendavad isolatsiooniklapid on avatud.
Õhkpostid on kokku murtud	<ul style="list-style-type: none"> Lisage rohkem õhku (10 psi / 0,69 bar).
Õhuleke	<ul style="list-style-type: none"> Kas ventiil on täielikult õhkposti sisse keeratud ja rõngastihend paigas. Kontrollige, kas ventiilikork on kõvasti kinni keeratud. Kontrollige, et torkeauke ei oleks, vt peatükk „Õhkposti tekkinud torkeaugu parandamine“ leheküljel 90.
Veeleke	<ul style="list-style-type: none"> Kontrollige, kas mõni õmblus lekib, teip on kahjustatud või piirkond niiske. Kui te leket ei leia, vt peatükk „Kondenseerumine“ leheküljel 90. Kui leiate lekke, kandke sellele kohale õmbluste tihendusliimi.
Kangas on rebenenud	<ul style="list-style-type: none"> Parandage kangas parandusteibiga. Laske volitatud spetsialistil parandada.

Kondenseerumine

Kõigis varikatusega telkides toimub kondenseerumine, kui kehtib vähemalt üks järgmistest tingimustest.

- Kõrge õhuniiskus
- Kõrge maapinna niiskus
- Temperatuurilangus

Tugeva kondenseerumise korral võib kondensaatkatuse siseküljelt alla voolata ning varrastelt, teipidelt ja muudelt sisedetailidelt alla tilkuda, mis võib jätta mulje lekkimisest.

- Muutke ventilatsioon uste ja/või akende avamisega tõhusamaks.
- Paigaldage veekindel presentalus.

Õhkposti tekkinud torkeaugu parandamine

Kui õhkpostist tuleb õhku välja, tehke järgmist.

- Tõmmake õhkposti toetava välise ümbrise tõmblukk lahti.
 - Kui isolatsiooniklapid on paigaldatud, sulgege need.
 - Eemaldage õhkpost.
 - Laske õhkpostist õhk välja.
 - Tõmmake kaitseümbrise tõmblukk lahti, et täispuhutavale torule ligi pääseda.
 - Laske täispuhutavasse torusse veidi õhku sisse.
 - Kastke toru vette.
 - Tehke torkeaugu asukoht kindlaks.
 - Kasutage augu sulgemiseks parandusteipi ja paranduslahust.
 - Sulgege täispuhutav toru tõmbluku abil tagasi kaitseümbrisesse.
 - Sulgege õhkpost tõmbluku abil välisesse ümbrisesse.
- Vt ka teavet joonis 18, leheküljel 7.

Kõrvaldamine



- Kui võimalik, pange pakkematerjal vastavasse ringlussevõetava prügi kasti.
- Küsige nõu kohalikust ringlussevõetukeskusest või edasimüüjalt, kuidas anda toode kehtivate jäätmeäitlusnõuetega kooskõlas jäätmeäitlusse.

Garantii

Kehtib seadusega ettenähtud garantii. Kui toode on defektne, võtke ühendust edasimüüjaga või tootja kohaliku filiaaliga (vaadake dometic.com/dealer).

Remondi- ja garantiitööde tegemiseks lisage alljärgnevad dokumendid, kui toote meile saadate:

- Ostukuupäevaga arve koopia
- Kaebuse põhjus või vea kirjeldus

Pange tähele, et kui parandate ise või lasete mittekuutselisel parandajal seda teha, võib see ohutust mõjutada ja garantii kehtetuks muuta.

Garantii katab tootmisvigu, materjale ja osi. Garantii ei kata UV-kiirgusest tingitud katte tuhmumist ja kulumist, väärkasutust, juhuslikku kahju, tormikahjustusi ega püsi-, poolpüsikasutust või kasutamist ettevõtluses. See ei kata mis tahes kaudset kahju. Nõuete esitamiseks võtke ühendust edasimüüjaga. See ei mõjuta teie seadusjärgseid õigusi.

Tehnilised andmed

	Suurus 11	Suurus 12	Suurus 13	Suurus 14	Suurus 15	Suurus 16	Suurus 17	Suurus 18	Suurus 19
Möödud	vt joonis 1 , lehekülg 3								
Ühendamise kõrgus	2350 – 2500 mm								
Brutokaal (karbid 1 ja 2)	38,7 kg / 15,2 kg	39,2 kg / 15,2 kg	39,5 kg / 16,5 kg	40,1 kg / 16,5 kg	43,1 kg / 17,0 kg	43,7 kg / 17,0 kg	46,0 kg / 18,0 kg	46,8 kg / 18,0 kg	47,0 kg / 18,2 kg
Netokaal	35,3 kg / 13,5 kg	35,8 kg / 13,5 kg	36,2 kg / 14,8 kg	36,7 kg / 14,8 kg	40,0 kg / 15,3 kg	40,5 kg / 15,3 kg	42,8 kg / 16,0 kg	43,4 kg / 16,0 kg	43,4 kg / 16,7 kg

Παρακαλούμε να διαβάσετε προσεκτικά το παρόν έγγραφο και να ακολουθήσετε όλες τις οδηγίες, τους κανονισμούς και τις προειδοποιήσεις που περιλαμβάνονται στο εγχειρίδιο αυτού του προϊόντος, έτσι ώστε να διασφαλιστεί πάντοτε η σωστή εγκατάσταση, χρήση και συντήρηση του προϊόντος. Αυτές οι οδηγίες ΠΡΕΠΕΙ πάντοτε να συνοδεύουν το προϊόν.

Με τη χρήση του προϊόντος επιβεβαιώνετε δια του παρόντος ότι έχετε διαβάσει προσεκτικά όλες τις οδηγίες, τους κανονισμούς και τις προειδοποιήσεις καθώς και ότι έχετε κατανοήσει και αποδεχθείτε να τηρήσετε τους όρους και τις προϋποθέσεις που ορίζονται στο παρόν έγγραφο. Συμφωνείτε να χρησιμοποιείτε αυτό το προϊόν μόνο για τον προβλεπόμενο σκοπό και την προβλεπόμενη χρήση, πάντοτε σύμφωνα με τις οδηγίες, τους κανονισμούς και τις προειδοποιήσεις που ορίζονται στο παρόν εγχειρίδιο προϊόντος καθώς και σύμφωνα με όλους τους ισχύοντες νόμους και κανονισμούς. Σε περίπτωση μη ανάγνωσης και τήρησης των οδηγιών και των προειδοποιήσεων που ορίζονται στο παρόν έγγραφο, ενδέχεται να προκληθούν τραυματισμοί σε εσάς τον ίδιο και σε τρίτους, ζημιά στο προϊόν σας ή υλικές ζημιές σε άλλες ιδιοκτησίες στο άμεσο περιβάλλον. Αυτό το εγχειρίδιο προϊόντος, συμπεριλαμβανομένων των οδηγιών, των κανονισμών, των προειδοποιήσεων και των σχετικών εγγράφων, ενδέχεται να υποβληθεί σε τροποποιήσεις και ενημερώσεις. Για τις ενημερωμένες πληροφορίες προϊόντος, επισκεφθείτε την ηλεκτρονική διεύθυνση [documents.domestic.com](https://www.youtube.com/watch?v=hokC_gmD0IQ), [domestic.com](https://www.youtube.com/watch?v=hokC_gmD0IQ).



Μπορείτε να βρείτε το βίντεο «How To Set Up Your Caravan Awning» για το στήσιμο της τέντας στην ηλεκτρονική διεύθυνση https://www.youtube.com/watch?v=hokC_gmD0IQ

Επεξήγηση των συμβόλων



ΚΙΝΔΥΝΟΣ!

Οδηγία ασφαλείας: Καταδεικνύει μια επικίνδυνη κατάσταση, η οποία εάν δεν αποτραπεί, θα προκληθεί θανατηφόρο ατύχημα ή σοβαρός τραυματισμός.



ΠΡΟΕΙΔΟΠΟΙΗΣΗ!

Οδηγία ασφαλείας: Καταδεικνύει μια επικίνδυνη κατάσταση, η οποία εάν δεν αποτραπεί, μπορεί να προκληθεί θανατηφόρο ατύχημα ή σοβαρός τραυματισμός.



ΠΡΟΦΥΛΑΞΗ!

Οδηγία ασφαλείας: Καταδεικνύει μια επικίνδυνη κατάσταση, η οποία εάν δεν αποτραπεί, μπορεί να προκληθεί μικρής ή μέτριας σοβαρότητας τραυματισμός.



ΠΡΟΣΟΧΗ!

Καταδεικνύει μια κατάσταση, η οποία εάν δεν αποτραπεί, μπορεί να προκληθούν υλικές ζημιές.



ΥΠΟΔΕΙΞΗ

Συμπληρωματικές πληροφορίες για τον χειρισμό του προϊόντος.

Υποδείξεις ασφαλείας



ΚΙΝΔΥΝΟΣ! Η μη τήρηση αυτών των οδηγιών θα έχει ως αποτέλεσμα την πρόκληση θανάτου ή σοβαρού τραυματισμού.

Κίνδυνος δηλητηρίασης από μονοξείδιο του άνθρακα

- Μη χρησιμοποιείτε ποτέ συσκευές καύσης καυσίμου, όπως π.χ. ψησταριές ή θερμάστρες αερίου στο εσωτερικό της σκηνής τέντας. Κατά τη διαδικασία της καύσης παράγεται μονοξείδιο του άνθρακα, το οποίο συσσωρεύεται στο εσωτερικό της σκηνής τέντας, διότι δεν υπάρχει αγωγός απαγωγής των καυσαερίων.



ΠΡΟΕΙΔΟΠΟΙΗΣΗ! Η μη τήρηση αυτών των προειδοποιήσεων ενδέχεται να έχει ως αποτέλεσμα την πρόκληση θανάτου ή σοβαρού τραυματισμού.

Κίνδυνος πυρκαγιάς

- Διατηρήστε όλες τις πηγές φλόγας και θερμότητας μακριά από αυτό το ύφασμα σκηνής.

- Βεβαιωθείτε ότι γνωρίζετε τα μέτρα πυρασφάλειας που ισχύουν στην εκάστοτε τοποθεσία.

- Μη μαγειρεύετε ή χρησιμοποιείτε γυμνές φλόγες μέσα στη σκηνή τέντας.

Κίνδυνος ασφυξίας

- Πρέπει να βεβαιώνετε ότι τα ανοίγματα εξαιρισμού είναι πάντοτε ανοιχτά, ώστε να αποφευχθεί ο κίνδυνος ασφυξίας.



ΠΡΟΦΥΛΑΞΗ! Η μη τήρηση αυτών των συστάσεων ενδέχεται να έχει ως αποτέλεσμα την πρόκληση ελαφρού ή μέτριου τραυματισμού.

Κίνδυνος τραυματισμού

- Αυτή η συσκευή δεν προορίζεται για χρήση από άτομα (συμπεριλ. των παιδιών) με μειωμένες φυσικές, αισθητηριακές ή πνευματικές ικανότητες ή με έλλειψη εμπειρίας και γνώσεων, εκτός εάν επιτηρούνται ή τους έχουν δοθεί οδηγίες σχετικά με τη χρήση της συσκευής από ένα άτομο, που είναι υπεύθυνο για την ασφάλειά τους.
- Μην επιτρέπετε σε παιδιά να παίζουν γύρω από τη σκηνή τέντας και βεβαιωθείτε ότι χρησιμοποιούνται κατάλληλα προστατευτικά υποδήματα. Στα σχοινιά στερέωσης μπορεί να σκοντάψει κανείς και τα πασσαλάκια μπορεί να είναι αιχμηρά.
- Ο καθαρισμός και η συντήρηση χρήστη δεν επιτρέπεται να πραγματοποιούνται από παιδιά χωρίς επίτηρηση.
- Διατηρήστε τους διαδρόμους πρόσβασης ελεύθερους από τυχόν εμπόδια.

Περιεχόμενα συσκευασίας

Εξάρτημα	Ποσότητα
Σκηνή τέντας	1
Μπροστινό πάνελ	2
Πλευρικό πάνελ	2
Σετ βαμβακερές κουρτίνες	1
Αντλία Gale 12 V	1
Ποδιά ρεύματος αέρα PVC	1
Ιμάντες θυέλλης	2
Πακέτο πασσαλάκια	1
Σάκος μεταφοράς	2
Εγχειρίδιο τοποθέτησης και χρήσης	1

Πρόσθετος εξοπλισμός

Διαθέσιμος πρόσθετος εξοπλισμός (δεν περιλαμβάνονται στη συσκευασία):

Περιγραφή	Κωδικός
Πτέρυγα Residence AIR Tall	9120002142
Ταπίετο Continental Residence	
• Μέγεθος 11, 12	9120002286
• Μέγεθος 13, 14	9120002221
• Μέγεθος 15, 16	9120002223
• Μέγεθος 17, 18	9120002225
• Μέγεθος 19	9120002287
Πάνελ με σήτα Residence	
• Μέγεθος 11	9120002274

Περιγραφή	Κωδικός
• Μέγεθος 12	9120002275
• Μέγεθος 13	9120002144
• Μέγεθος 14	9120002145
• Μέγεθος 15	9120002146
• Μέγεθος 16	9120002147
• Μέγεθος 17	9120002148
• Μέγεθος 18	9120002149
• Μέγεθος 19	9120002276
Μουσαμάς δαπέδου Residence	
• Μέγεθος 11	9120002277
• Μέγεθος 12	9120002278
• Μέγεθος 13	9120002151
• Μέγεθος 14	9120002152
• Μέγεθος 15	9120002153
• Μέγεθος 16	9120002154
• Μέγεθος 17	9120002155
• Μέγεθος 18	9120002156
• Μέγεθος 19	9120002279
Ορθοστάτης βεράντας	9120002264
Πέλμα στήριξης θυέλλης βεράντας	9120002157

Προβλεπόμενη χρήση

Αυτή η σκηνή τέντας είναι κατάλληλη για τα εξής:

- Συρόμενα τροχόσπιτα
- Καλές έως μέτριες καιρικές συνθήκες
- Τουρισμός
- Μακροχρόνιο στήσιμο

Αυτή η σκηνή τέντας **δεν** είναι κατάλληλη για τα εξής:

- Πολύ ισχυροί άνεμοι ή χιονόπτωση
- Επαγγελματική χρήση

Αυτό το προϊόν είναι κατάλληλο μόνο για τον προβλεπόμενο σκοπό και την προβλεπόμενη χρήση σύμφωνα με αυτές τις οδηγίες.

Αυτό το εγχειρίδιο παρέχει πληροφορίες που είναι απαραίτητες για τη σωστή εγκατάσταση και χρήση του προϊόντος. Τυχόν μη ενδειγμένη εγκατάσταση, χρήση ή/και συντήρηση θα έχει ως συνέπεια την ανεπαρκή απόδοση και ενδεχομένως την πρόκληση βλάβης.

Ο κατασκευαστής δεν αποδέχεται καμία ευθύνη για τυχόν τραυματισμούς ή ζημιές στο προϊόν, που οφείλονται σε:

- Λανθασμένη συναρμολόγηση ή σύνδεση, συμπεριλ. της υπερβολικά υψηλής τάσης
- Λανθασμένη συντήρηση ή χρήση μη αυθεντικών ανταλλακτικών εξαρτημάτων, που δεν προέρχονται από τον κατασκευαστή
- Μετατροπές στο προϊόν χωρίς τη ρητή άδεια του κατασκευαστή
- Χρήση για σκοπούς διαφορετικούς από αυτούς που περιγράφονται σε αυτό το εγχειρίδιο

Η Dometic διατηρεί το δικαίωμα αλλαγής της εμφάνισης και των προδιαγραφών του προϊόντος.

Χρήση της σκηνής τέντας



ΠΡΟΦΥΛΑΞΗ! Κίνδυνος τραυματισμού και πρόκλησης υλικών ζημιών

Μην ανοίγετε ποτέ το φερμουάρ στο προστατευτικό περίβλημα, όταν η μπανέλα αέρα είναι φουσκωμένη. Το αποτέλεσμα θα είναι να σκάσει η μπανέλα αέρα.

Πριν από την πρώτη χρήση

Εξοικειωθείτε με το προϊόν πραγματοποιώντας ένα δοκιμαστικό στήσιμο, πριν χρησιμοποιήσετε το προϊόν για πρώτη φορά. Ελέγξτε εάν τα περιεχόμενα της συσκευασίας είναι πλήρη.

Επιλογή τοποθεσίας

Επιλέξτε ένα σημείο με επίπεδο έδαφος που είναι προστατευμένο από τον άνεμο:

1. Εάν απαιτείται, χρησιμοποιήστε αντιανεμικό προστατευτικό.
2. Επιλέξτε ένα σημείο με σκιά, για να αποφύγετε την καταπόνηση του υφάσματος λόγω της υπερϊώδους ακτινοβολίας.
3. Αποφύγετε το στήσιμο κάτω από δέντρα, διότι τα κλαδιά που πέφτουν, το ρετσίνι κ.λπ. μπορεί να προκαλέσουν ζημιά στο προϊόν.
4. Καθαρίστε το σημείο από αιχμηρές πέτρες και άλλα αντικείμενα, για να αποφευχθεί η πρόκληση ζημιών στο δάπεδο της σκηνής.
5. Στήστε το προϊόν με τις πόρτες αντίθετα προς την κατεύθυνση του ανέμου.

Στήσιμο της σκηνής τέντας



ΠΡΟΦΥΛΑΞΗ! Κίνδυνος τραυματισμού και πρόκλησης υλικών ζημιών

- Μη χρησιμοποιείτε συμπιεστές που έχουν σχεδιαστεί για το φούσκωμα ελαστικών αυτοκινήτων.
- Οι μπανέλες αέρα πρέπει να φουσκώνονται μόνο μέχρι την πράσινη ζώνη του μανόμετρου της συμπεριλαμβανόμενης τρόμπας χειρός (10 psi / 0,69 bar).



ΠΡΟΣΟΧΗ! Υλικές ζημιές

- Μην ανοίγετε ή κλείνετε βίαια τα φερμουάρ.
- Εάν για τη σύνδεση της σκηνής τέντας χρησιμοποιείται μια τέντα με μηχανισμό, υποστηρίξτε την τέντα με μηχανισμό κατά την πραγματοποίηση των εργασιών, ώστε να αποφευχθεί η υπερβολική επιβάρυνσή της. Μετά από τη σύνδεση της σκηνής τέντας, τυλίξτε πλήρως την τέντα τύπου κασέτας μέσα στο περίβλημά της.



ΥΠΟΔΕΙΞΗ

- Η σκηνή τέντας παραδίδεται με πασσαλάκια βαρέως τύπου. Τα πασσαλάκια αυτά είναι κατάλληλα για διάφορα εδάφη, αλλά για ορισμένους τύπους εδάφους ενδέχεται να απαιτούνται ειδικά πασσαλάκια. Απευθυνθείτε στον τοπικό αντιπρόσωπο.
- Τοποθετήστε τα πασσαλάκια στο έδαφος με γωνία 45° προς την αντίθετη κατεύθυνση από τη σκηνή τέντας.
- Στερεώστε όλα τα σχοινιά στερέωσης ευθυγραμμισμένα με τις αντίστοιχες ραφές της σκηνής.

Ακολουθήστε τις παρακάτω συμβουλές κατά το στήσιμο της σκη-
νής τέντας:

- Τα σχήματα παρέχουν μια γενική συνοπτική παρουσίαση του τρόπου στησίματος. Ο πραγματικός τρόπος στησίματος ενδέχεται να διαφέρει ελαφρά, ανάλογα με το μοντέλο της σκηνής τέντας.
- Ζητήστε βοήθεια. Το στήσιμο είναι πιο εύκολο με τη βοήθεια και άλλων απόμων.
- Όταν η σκηνή τέντας στηθεί σε όρθια θέση, ελέγξτε τα γωνιακά πασσαλάκια και επανατοποθετήστε τα, εάν απαιτείται. Το δάπεδο στο εσωτερικό της σκηνής πρέπει να είναι τεντωμένο και να έχει ορθογώνιο σχήμα.
- Στερεώστε τα σχοινιά στερέωσης κατά τέτοιον τρόπο, ώστε η σκηνή τέντας να βρίσκεται υπό τάση χωρίς όμως να επηρεάζεται το σχήμα της.
- Εάν υπάρχουν, συνδέστε τους ιμάντες θυέλλης.
- Ελέγχετε ανά διαστήματα τα σχοινιά στερέωσης, για να βεβαιώ-
νεστε ότι παραμένουν τεντωμένα και, εάν απαιτείται, χρησιμο-
ποιήστε τους εντατήρες για να τα προσαρμόσετε.

Στήστε τη σκηνή τέντας ως εξής:

1. Για να προστατέψετε τη σκηνή τέντας από τυχόν ρύπανση και πρόκληση ζημιάς, απλώστε ένα δάπεδο σκηνής ή έναν μου-
σαμά δαπέδου, πριν την βγάλετε από τη συσκευασία της.
2. Βγάλτε τη σκηνή τέντας από τον σάκο της.
3. Διαχωρίστε και αναγνωρίστε τα διαφορετικά εξαρτήματα.
4. Ακολουθήστε την απεικόνιση, για να στήσετε τη σκηνή τέντας (σχ. **2**, σελίδα 3 – σχ. **17**, σελίδα 7).

Αποσυναρμολόγηση της σκηνής τέντας



ΠΡΟΣΟΧΗ! Κίνδυνος πρόκλησης ζημιάς
Μη χρησιμοποιείτε βία κατά την αποσυναρμολόγηση
της σκηνής τέντας. Διαφορετικά μπορεί να προκλη-
θούν ζημιές στα υλικά.

1. Αφαιρέστε τυχόν ρύπους από την εξωτερική πλευρά.
2. Κλείστε όλα τα καλύμματα των παραθύρων ή αφαιρέστε τις κουρτίνες.
3. Κλείστε όλες τις πόρτες και τα ανοίγματα.
4. Εάν έχει τοποθετηθεί, σπρώξτε την μπανέλα του υποστεγού έξω από τον αντίστοιχο οδηγό, μην την τραβάτε.
5. Αφαιρέστε όλα τα σχοινιά και όλους τους ιμάντες.
6. Αφαιρέστε όλα τα πασσαλάκια που βρίσκονται ανάμεσα στα γωνιακά πασσαλάκια.
7. Ανοίξτε τις βαλβίδες σε όλες τις μπανέλες.
8. Περιμένετε μέχρι να εξέλθει ο περισσότερος αέρας.
9. Αφαιρέστε τα τέσσερα γωνιακά πασσαλάκια.
10. Διπλώστε / τυλίξτε τη σκηνή τέντας προς την πλευρά των βαλ-
βίδων, για να εξέλθει ακόμη περισσότερος αέρας.
11. Όταν έχει ξεφουσκώσει, τυλίξτε τη σκηνή τέντας κατά τέτοιον
τρόπο, ώστε να χωράει στον σάκο μεταφοράς.
12. Βεβαιωθείτε ότι όλα τα μέρη είναι καθαρά, πριν τα τοποθετή-
σετε στον σάκο μεταφοράς.
13. Εάν η σκηνή τέντας είναι βρεγμένη ή υγρή, στεγνώστε την το
συντομότερο δυνατόν.

Καθαρισμός και φροντίδα



ΠΡΟΣΟΧΗ! Κίνδυνος πρόκλησης ζημιάς

- Για τον καθαρισμό μην χρησιμοποιείτε αιχμηρά ή σκληρά αντικείμενα ή καθαριστικές ουσίες.
- Μη χρησιμοποιείτε για τον καθαρισμό υλικά με βάση την αλκοόλη, χημικά, σαπούνι και απορρυ-
παντικά.
- Απομακρύνετε τυχόν περιπτώματα πουλιών και
ρετσίνι δέντρων το συντομότερο δυνατόν, για να
αποφύγετε την πρόκληση μόνιμης ζημιάς στο
υλικό.

1. Εάν απαιτείται, καθαρίστε το προϊόν με καθαρό νερό και ένα
μαλακό πανί.
2. Πραγματοποιήστε εμποτισμό αδιαβροχοποίησης για την προ-
στασία από το νερό και την υπεριώδη ακτινοβολία πριν από
κάθε ταξίδι.

Αποθήκευση της σκηνής τέντας



ΥΠΟΔΕΙΞΗ

- Στήστε πλήρως τη σκηνή τέντας, για να την καθαρί-
σετε.
- Επιλέξτε για τον καθαρισμό μια ηλιόλουστη μέρα,
ώστε να μπορεί να στεγνώσει εντελώς το υλικό.

1. Καθαρίστε τη σκηνή τέντας.
2. Αφήστε την να αεριστεί πλήρως και βεβαιωθείτε ότι η σκηνή
τέντας είναι εντελώς στεγνή, πριν την συσκευάσετε και την
αποθηκεύσετε.
3. Αποθηκεύστε την σε έναν καλά αεριζόμενο χώρο χωρίς υγρα-
σία.

Χρήση των ορθοστατών βεράντας (προαιρετικά)

Το μήκος των ορθοστατών βεράντας (πρόσθετος εξοπλισμός) είναι
πλήρως ρυθμιζόμενο μέσω περιστροφικών ασφαλειών. Οι ορθο-
στάτες μπορούν να χρησιμοποιηθούν για τις ακόλουθες εφαρμο-
γές:

- Οι ορθοστάτες μπορούν να χρησιμοποιηθούν ως πρόσθετη ενί-
σχυση της σκηνής τέντας σε κακές καιρικές συνθήκες. Η σκηνή
τέντας διαθέτει πέντε θέσεις για την τοποθέτηση των ορθοστα-
τών.
- Οι ορθοστάτες μπορούν να τοποθετηθούν εγκάρσια στα δύο
ανοίγματα πόρτας και να χρησιμοποιηθούν ως απλώστρες ρού-
χων.
- Οι πόρτες και τα παράθυρα μπορούν να τυλιχθούν επάνω από
τους ορθοστάτες, ώστε να δημιουργηθεί ένα άνοιγμα για καλύ-
τερη κυκλοφορία του αέρα σε καλές καιρικές συνθήκες.

Αντιμετώπιση βλαβών



ΥΠΟΔΕΙΞΗ

- Κατά την πρώτη έκθεση σε νερό, ενδέχεται να
παρουσιαστεί ελαφριά υγρασία στις ραφές. Μέσω
αυτής της υγρασίας, τα νήματα διογκώνονται και
γεμίζουν τις οπές που δημιουργήθηκαν κατά τη δια-
δικασία ραφής.
- Ένα πλήρως εξοπλισμένο κιτ ανταλλακτικών εξαρ-
τημάτων πρέπει να περιλαμβάνει:
 - Προϊόν αδιαβροχοποίησης
 - Ταινία επισκευής και υλικά επισκευής
 - Σπρέι σιλικόνης για τα φερμουάρ
 - Εφεδρικά πασσαλάκια

Πρόβλημα	Επίλυση
Η σκηνή τέντας φουσκώνει με δυσκολία	<ul style="list-style-type: none"> ➤ Βεβαιωθείτε ότι η βαλβίδα είναι βιδωμένη εντελώς μέσα στην μπανέλα αέρα. ➤ Ελέγξτε εάν ο αεροθάλαμος έχει συστραφεί στην περιοχή της βαλβίδας. Συχνά ακούγεται σε μια τέτοια περίπτωση ένας θόρυβος. Ξεστρίψτε τον αεροθάλαμο. ➤ Βεβαιωθείτε ότι η τρόμπα χειρός λειτουργεί σωστά.
Ένα τμήμα της σκηνής τέντας δεν φουσκώνει ή δεν ξεφουσκώνει	<ul style="list-style-type: none"> ➤ Βεβαιωθείτε ότι όλες οι βαλβίδες απομόνωσης που συνδέουν τις μπανέλες αέρα είναι ανοιχτές.
Οι μπανέλες αέρα είναι λυγισμένες	<ul style="list-style-type: none"> ➤ Προσθέστε περισσότερο αέρα (10 psi/0,69 bar).
Διαρροή αέρα	<ul style="list-style-type: none"> ➤ Βεβαιωθείτε ότι η βαλβίδα είναι βιδωμένη εντελώς μέσα στην μπανέλα αέρα και ότι ο δακτύλιος στεγανοποίησης βρίσκεται στη θέση του. ➤ Βεβαιωθείτε ότι το καπάκι της βαλβίδας είναι βιδωμένο σφιχτά. ➤ Ελέγξτε για σημεία διάτρησης, βλέπε κεφάλαιο «Επισκευή διάτρησης σε μπανέλα αέρα» στη σελίδα 95.
Είσοδος νερού	<ul style="list-style-type: none"> ➤ Ελέγξτε για μη στεγανές ραφές, κατεστραμμένες ταινίες και σημεία με υγρασία. ➤ Εάν δεν μπορείτε να εντοπίσετε σημεία εισόδου νερού, βλέπε κεφάλαιο «Συμπύκνωση» στη σελίδα 95. ➤ Εάν εντοπίσετε σημεία εισόδου νερού, επιστρώστε στεγανοποιητικό ραφών.
Σχίσμο στο ύφασμα	<ul style="list-style-type: none"> ➤ Χρησιμοποιήστε ταινία επισκευής, για να σφραγίσετε το ύφασμα. ➤ Αναθέστε την πραγματοποίηση επισκευών σε έναν εξουσιοδοτημένο εξειδικευμένο τεχνικό.

Συμπύκνωση

Σε όλες τις σκηνές τέντας προκαλείται συμπύκνωση στο εσωτερικό τους, εάν ισχύουν μία ή περισσότερες από τις παρακάτω προϋποθέσεις:

- Υψηλή υγρασία αέρα
- Υψηλή υγρασία εδάφους
- Πτώση της θερμοκρασίας

Σε περίπτωση έντονης συμπύκνωσης, το νερό συμπυκνώματος ενδέχεται να κυλήσει προς τα κάτω στο εσωτερικό της οροφής και να στάξει από μέσα πρόσδεσης, ταινίες και άλλα εσωτερικά εξαρτήματα, με αποτέλεσμα να προκληθεί η λανθασμένη εντύπωση ότι υπάρχει είσοδος νερού.

- Αυξήστε τον εξαερισμό, ανοίγοντας τις πόρτες ή/και τα παράθυρα.
- Τοποθετήστε ένα αδιάβροχο δάπεδο σκηνής.

Επισκευή διάτρησης σε μπανέλα αέρα

Εάν η μπανέλα αέρα παρουσιάζει απώλεια αέρα, ακολουθήστε την εξής διαδικασία:

1. Ανοίξτε το φερμουάρ του εξωτερικού περιβλήματος που συγκρατεί την μπανέλα αέρα.
2. Εάν υπάρχουν, κλείστε τις βαλβίδες απομόνωσης.
3. Αφαιρέστε την μπανέλα αέρα.
4. Ξεφουσκώστε την μπανέλα αέρα.
5. Ανοίξτε το φερμουάρ του προστατευτικού περιβλήματος, για να αποκαλύψετε τον αεροθάλαμο.
6. Φουσκώστε ελαφρά τον αεροθάλαμο.
7. Βυθίστε τον αεροθάλαμο σε νερό.

8. Εντοπίστε το σημείο διάτρησης.
 9. Χρησιμοποιήστε ταινία επισκευής και υλικά επισκευής, για να σφραγίσετε την οπή.
 10. Τοποθετήστε τον αεροθάλαμο και πάλι μέσα στο προστατευτικό περίβλημα και κλείστε το φερμουάρ.
 11. Επανατοποθετήστε την μπανέλα αέρα μέσα στο εξωτερικό περίβλημα και κλείστε το φερμουάρ.
- Προσέξτε επίσης τις πληροφορίες που παρέχονται στο σχ. 18, σελίδα 7.

Απόρριψη



- Εάν είναι εφικτό, απορρίψτε τα υλικά συσκευασίας στους αντίστοιχους κάδους ανακύκλωσης.
- Συμβουλευθείτε ένα τοπικό κέντρο ανακύκλωσης ή έναν εξειδικευμένο αντιπρόσωπο για λεπτομέρειες σχετικά με τον τρόπο απόρριψης του προϊόντος σύμφωνα με τους ισχύοντες κανονισμούς διάθεσης απορριμμάτων.

Εγγύηση

Ισχύει η νόμιμη διάρκεια εγγύησης. Εάν το προϊόν παρουσιάζει ελαττώματα, παρακαλούμε να απευθυνθείτε στο κατάστημα αγοράς ή στην αντιπροσωπεία του κατασκευαστή στη χώρα σας (βλέπε dometic.com/dealer).

Για τυχόν επισκευή ή αξίωση κάλυψης από την εγγύηση, παρακαλούμε να αποστείλετε επίσης τα παρακάτω έγγραφα μαζί με το προϊόν:

- Ένα αντίγραφο της απόδειξης αγοράς με την ημερομηνία αγοράς
- Τον λόγο για την αξίωση κάλυψης από την εγγύηση ή μια περιγραφή του σφάλματος

Λάβετε υπόψη ότι τυχόν επισκευή από εσάς τον ίδιο ή μη επαγγελματική επισκευή ενδέχεται να έχει συνέπειες ασφαλείας καθώς και να αποτελέσει αιτία ακύρωσης της εγγύησης.

Η εγγύηση καλύπτει τυχόν κατασκευαστικά ελαττώματα, τα υλικά και τα επιμέρους τμήματα. Η εγγύηση δεν καλύπτει τυχόν ξεθώρισμα του καλύμματος και φυσιολογική φθορά λόγω της υπερϊώδους ακτινοβολίας, ζημιές λόγω μη ενδεδειγμένης χρήσης, ατυχήματος και θύελλας καθώς και τη μόνιμη, την ημιμόνιμη ή την επαγγελματική χρήση. Δεν καλύπτεται καμία επακόλουθη ζημιά. Παρακαλούμε επικοινωνήστε με τον έμπορο της περιοχής σας για τυχόν αξιώσεις. Το παρόν δεν επηρεάζει τα προβλεπόμενα από τον νόμο δικαιώματά σας.

Τεχνικά χαρακτηριστικά

	Μέγεθος 11	Μέγεθος 12	Μέγεθος 13	Μέγεθος 14	Μέγεθος 15	Μέγεθος 16	Μέγεθος 17	Μέγεθος 18	Μέγεθος 19
Διαστάσεις	βλέπε σχ. 1 , σελίδα 3								
Ύψος σύνδεσης	2350 – 2500 mm								
Μεικτό βάρος (κουτί 1 και 2)	38,7 kg/ 15,2 kg	39,2 kg/ 15,2 kg	39,5 kg/ 16,5 kg	40,1 kg/ 16,5 kg	43,1 kg/ 17,0 kg	43,7 kg/ 17,0 kg	46,0 kg/ 18,0 kg	46,8 kg / 18,0 kg	47,0 kg/ 18,2 kg
Καθαρό βάρος	35,3 kg/ 13,5 kg	35,8 kg/ 13,5 kg	36,2 kg/ 14,8 kg	36,7 kg/ 14,8 kg	40,0 kg/ 15,3 kg	40,5 kg/ 15,3 kg	42,8 kg/ 16,0 kg	43,4 kg/ 16,0 kg	43,4 kg/ 16,7 kg

Atidžiai perskaitykite šį gaminio žinyrą ir laikykitės visų jame pateiktų nurodymų, rekomendacijų ir įspėjimų, kad įrengtumėte gaminį ir visada juo naudotumėtės bei prižiūrėtumėte tinkamai. Ši instrukcija PRIVALO būti prie gaminio.

Tuo, jog naudojate gaminį, patvirtinate, kad atidžiai perskaitėte visus nurodymus, rekomendacijas ir įspėjimus ir suprantate, kad pateiktas nuostatas ir sąlygas bei sutinkate jų laikytis. Sutinkate naudoti šį gaminį tik pagal numatytą paskirtį, numatytiems reikmėms ir laikydamiesi šiame gaminio žinyne pateiktų nurodymų, rekomendacijų ir įspėjimų bei visų galiojančių įstatymų ir kitų teisės aktų. Neperskaičius ir nesilaikant čia pateiktų nurodymų ir įspėjimų galite susižaloti patys ir sužaloti kitus, sugadinti gaminį arba kitą greta esantį turtą. Šis gaminio žinyras, įskaitant nurodymus, rekomendacijas ir įspėjimus, bei susiję dokumentai, gali būti keičiami ir atnaujinami. Naujausia informacija apie gaminį pateikiama adresu documents.dometic.com, dometic.com.



Raskite vaizdo įrašą „How To Set Up Your Caravan Awning“ (kaip surinkti namelio ant ratų medžiaginę stoginę), pateiktą adresu

https://www.youtube.com/watch?v=hokC_gmD0IQ

Simbolių paaiškinimas



PAVOJUS!

Saugos nurodymas: nurodo pavojingas sąlygas, kurių neišvengus gresia mirtinai arba sunkiai susižaloti.



ĮSPĖJIMAS!

Saugos nurodymas: nurodo pavojingas sąlygas, kurių neišvengus galima mirtinai arba sunkiai susižaloti.



PERSPĖJIMAS!

Saugos nurodymas: nurodo pavojingas sąlygas, kurių neišvengus galima lengvai arba vidutiniškai susižaloti.



PRANEŠIMAS!

nurodo pavojingas sąlygas, kurių neišvengus galima žala turtui.



PASTABA

Papildoma informacija apie naudojimąsi gaminiumi.

Saugos instrukcijos



PAVOJUS! Nesilaikant šių instrukcijų galima mirti arba sunkiai susižaloti.

Apsinuodijimo anglies monoksidu pavojus

- Niekada tentinės palapinės viduje nenaudokite kurų deginančių įrenginių, pavyzdžiui, kepsninių ar dujinių šildytuvų. Degimo metu išskiriamas anglies monoksidas, kuris susikaupia tentinės palapinės viduje, nes ten nėra dūmtakio.



ĮSPĖJIMAS! Nesilaikant šių įspėjimų gali grėsti mirtis arba rimtas susižalojimas.

Gaisro pavojus

- Apsaugokite palapinės medžiagą nuo bet kokių liepsnos ir šilumos šaltinių.
- Įsitikinkite, ar turite ugnies gesinimo įrangą.
- Tentinės palapinės viduje negaminkite maisto ir nenaudokite atviros liepsnos.

Saugokitės uždusimo!

- Norėdami išvengti uždusimo pasirūpinkite, kad visą laiką būtų atviros ventiliacijos angos.



PERSPĖJIMAS! Nesilaikant šių įspėjimų gali grėsti nedidelis arba vidutinis susižalojimas.

Sužalojimų rizika

- Šis prietaisas neskirtas naudoti asmenims (įskaitant vaikus), turintiems fizinių, sensorinių arba psichikos sutrikimų arba stokojantiems patirties ir žinių, jeigu jie nėra prižiūrimi arba instruktuojami dėl šio prietaiso saugaus naudojimo už jų saugumą atsakingo asmens.

- Neleiskite vaikams žaisti aplink tentinę palapinę ir pasirūpinkite, kad būtų avima tinkam avalynė. Atotampos gali prispausti, o smaigai yra aštrūs.
- Vaikams draudžiama šį prietaisą valyti ir atlikti jo techninę priežiūrą be suaugusiųjų priežiūros.
- Palikite atvirus takus praėjimui.

Pristatoma komplektacija

Komponentas	Kiekis
Tentinė palapinė	1
Priekinė plokštė	2
Šoninė plokštė	2
Medvilninių žaliuzių komplektas	1
„Gale“ 12 V pompa	1
PVC apsauga nuo skersvėjo	1
Diržai nuo audrų	2
Maišelis smaigams	1
Nešimo krepšys	2
Montavimo ir naudojimo vadovas	1

Priedų

Tiekiami kaip priedai (neįeina į pristatomą komplektaciją):

Aprašymas	Nuor. nr.
Aukštas palapinės priestatas su oro technologija	9120002142
„Continental“ palapinės kilimas	
• 11, 12 dydis	9120002286
• 13, 14 dydis	9120002221
• 15, 16 dydis	9120002223
• 17, 18 dydis	9120002225
• 19 dydis	9120002287
Tinklinė palapinės plokštelė	
• 11 dydis	9120002274
• 12 dydis	9120002275
• 13 dydis	9120002144
• 14 dydis	9120002145
• 15 dydis	9120002146
• 16 dydis	9120002147
• 17 dydis	9120002148
• 18 dydis	9120002149
• 19 dydis	9120002276
Palapinės kilimėlis	
• 11 dydis	9120002277
• 12 dydis	9120002278
• 13 dydis	9120002151
• 14 dydis	9120002152
• 15 dydis	9120002153
• 16 dydis	9120002154
• 17 dydis	9120002155
• 18 dydis	9120002156
• 19 dydis	9120002279

Aprašymas	Nuor. nr.
Verandos stulpas	9120002264
Nuo audrų apsisaugoti skirta verandos pagrindo plokštelė	9120002157

Paskirtis

Ši tentinė palapinė tinkama:

- Nameliams ant ratų
- Švelniam ir vidutiniam orui
- Turizmui
- Kemperių aikštelėms

Ši tentinė palapinė **netinkama**:

- Labai stipriam vėjui ar sniego griūtims
- Komerčiam naudojimui

Šis gaminį galima naudoti tik pagal numatytą paskirtį ir vadovaujantis šiomis instrukcijomis.

Šiame vadove pateikiama informacija, reikalinga tinkamam gaminių įrengimui ir (arba) naudojimui. Dėl prasto įrengimo ir (arba) netinkamo naudojimo būdo ar techninės priežiūros gaminyje gali netinkamai veikti ir sugesti.

Gamintojas neprisiims atsakomybės už patirtus sužeidimus ar žalą gaminiui, atsiradusią dėl šių priežasčių:

- Neteisingo surinkimo ar prijungimo, įskaitant perteklinę įtampą
- Netinkamos techninės priežiūros arba jeigu buvo naudotos neoriginalios, gamintojo nepateiktos atsarginės dalys
- Gaminio pakeitimai be aiškaus gamintojo leidimo
- Naudojimas kitais tikslais, nei nurodyta šiame vadove

„Dometic“ pasilieka teisę keisti gaminio išvaizdą ir specifikacijas.

Tentinės palapinės naudojimas



PERSPĖJIMAS! Sužalojimų ir produkto apgadinimo rizika

Niekada neatitraukite apsauginės rankovės užtrauktuko, kol pučiamas oras į oro stulpą. Tai sukels oro stulpo sprogamą.

Prieš pirmąjį naudojimą

Prieš pirmą produkto naudojimą, susipažinkite su produktu pamėgindami jį surinkti. Patikrinkite, ar pristatyta visa komplektacija.

Vietos pasirinkimas

Pasirinkite lygią vietą, apsaugotą nuo vėjo:

1. Jei būtina, naudokite apsaugą nuo vėjo.
2. Pasirinkite pavėsį, kad UV spinduliai negadintų medžiagos.
3. Venkite vietų po medžiais, nes krentančios šakos, sakai ir kt. nepažeistų produkto.
4. Numeskite aštrius akmenis ir nešvarumus, kad nepažeistumėte dugno brezentu.
5. Duris įrenkite nukreiptas nuo vėjo.

Tentinės palapinės surinkimas



PERSPĖJIMAS! Sužalojimų ir produkto apgadinimo rizika

- Nenaudokite jokių automobilių padangoms pripūsti skirtų kompresorių.
- Pūskite tik iki žalios pristatytos rankinės pompės slėgio matuoklio zonos (10 psi / 0,69 bar).



PRANEŠIMAS! Produkto apgadinimas

- Per jėgą neatsekite ir neužsekite užtrauktukų.
- Jei tentinei palapinei pritvirtinti naudojama vėjo neperpučiama stoginė, paremkite ją, kad jos neveiktų per didelis įtempis. Pritvirtinę tentinę palapinę, susukite vėjo neperpučiamą stoginę atgal į jos korpusą.



PASTABA

- Tentinė palapinė pristatoma su sunkiais smaigais. Jie tinkami daugelyje vietų, tačiau tam tikriems žemės tipams prireiks specialių smaigų. Kreipkitės į savo pardavėją.
- Smeikite smaigus pakreiptus 45° kampu nuo tentinės palapinės į žemę.
- Įtempkite kiekvieną atotampą lygiai su siūle, prie kurios jis pritvirtintas.

Surinkdami tentinę palapinę atsižvelkite į šiuos patarimus:

- Paveikluose pateikta bendra surinkimo apžvalga. Realu surinkta tentinė palapinė šiek tiek skirsis, priklausomai nuo modelio.
- Pasikvieskite pagalbos. Daugiau žmonių palapinę surinks lengviau.
- Pastatę tentinę palapinę patikrinkite kampų smaigus ir, jei reikia, pritvirtinkite iš naujo. Viduje tiesiamas brezentas turi būti įtemptas ir stačiakampio formos.
- Pritvirtinkite atotampas, kad tentinė palapinė būtų įtempta, tačiau neiškreiptos formos.
- Jei reikia, pritvirtinkite diržus nuo audrų.
- Nuolat tikrinkite atotampas ir, jei reikia, įtempkite, kad būtų pakankamai įtempta.

Tentinės palapinės surinkimas:

1. Norėdami apsaugoti tentinę palapinę nuo purvo ir pažeidimo, prieš išpakuodami paguldyskite brezentą ar kilimėlį.
2. Išpakuokite tentinę palapinę.
3. Atskirkite skirtingus komponentus.
4. Atlikite pavaizduotus tentinės palapinės surinkimo veiksmus (2 pav., 3 psl. – 17 pav., 7 psl.).

Tentinės palapinės išrinkimas



PRANEŠIMAS! Žalos pavojus

Išrinkdami tentinę palapinę nenaudokite didelės jėgos. Priešingu atveju pažeisite jų medžiagas.

1. Pašalinkite visus nešvarumus nuo išorės.
2. Užverkite visas langines arba nuimkite žaliuzes.
3. Uždarykite visas duris ir angas.
4. Jei yra, išstumkite stoginės stulpą iš movos, bet netraukite.
5. Nuimkite visus trosus ir diržus.
6. Ištraukite visus kaiščius, esančius tarp kampinių kaiščių.
7. Atidarykite kiekvieno stulpo vožtuvą.
8. Palaukite, kol išeis didžioji dalis oro.
9. Ištraukite keturis kampinius smaigus.
10. Lenkite / sukite tentinę palapinę vožtuvų link, kad pašalintumėte likusį orą.
11. Kai oras bus išleistas, suvyniokite tentinę palapinę, kad tilptų į nešimo krepšį.
12. Prieš dėdami dalis į nešimo krepšį, patikrinkite, ar visos dalys švarios.
13. Jei tentinė palapinė šlapia ar drėgna, kuo greičiau išdžiovinkite.

Valymas ir priežiūra



PRANEŠIMAS! Žalos pavojus

- Valymui nenaudokite aštrių ar kietų daiktų ar valymo priemonių.
- Valymui nenaudokite alkoholinių medžiagų, chemikalų, muilo ir detergentų.
- Kuo skubiau pašalinkite paukščių išmatas ir medžio sakus, kad išvengtumėte ilgalaikio medžiagos pažeidimo.

1. Jei reikia, nuvalykite produktą švariu vandeniu ir minkštu šepetėliu.
2. Prieš kiekvieną kelionę užtepkite impregnanto nuovandens ir UV spindulių.

Tentinės palapinės laikymas



PASTABA

- Norėdami išvalyti tentinę palapinę, ją iki galo surinkite.
- Valykite saulėtą dieną, kad medžiaga visiškai išdžiūtų.

1. Išvalykite tentinę palapinę.
2. Pripūskite oro ir prieš pakuodami patikrinkite, ar tentinė palapinė visiškai sausa.
3. Laikykite gerai vėdinamoje sausoje vietoje.

Verandos stulpų (pasirenkami) naudojimas

Verandos stulpų (priedai) ilgis yra visiškai reguliuojamas sukamais fiksatoriais. Stulpus galima naudoti toliau nurodytais tikslais:

- Esant sudėtingoms oro sąlygoms, stulpai gali suteikti papildomo tvirtumo tentinei palapinei. Tentinė palapinė turi penkis stulpų tvirtinimo padėtis.
- Stulpus galima tvirtinti dviejose durų angose, suformuojant džiūvimo turėklą.
- Duris ir langus galima užvynioti ant stulpų, suformuojant angą geresnei oro cirkuliacijai užtikrinti esant geram orui.

Gedimų nustatymas ir šalinimas



PASTABA

- Pirmo kontakto su vandeniu metu ant siūlių gali atsirasti drėgmės. Nuo drėgmės siūlės plėsis ir užpildys skylės, susidariusias siuvimo metu.
- Pilname atsarginių dalių rinkinyje yra:
 - Hidrofobinis priedas
 - Taisyimo juosta ir tirpalas
 - Silikoninis purškalkas užtrauktukams
 - Atsarginiai smaigai

Problema	Sprendimas
Kyla sunkumų pripūčiant tentinę palapinę	<ul style="list-style-type: none">▶ Patikrinkite, ar vožtuvai gerai įsukti į oro stulpą.▶ Patikrinkite, ar pripūtimo vamzdelis nesusisukęs prie vožtuvo. Tai gali indikuoti triukšmas. Atlenkite pripūtimo vamzdelį.▶ Patikrinkite, ar dirba rankinė pompa.
Tentinės palapinės dalis neprisipučia arba neišleidžia oro	<ul style="list-style-type: none">▶ Patikrinkite, ar visi izoliaciniai vožtuvai, sujungiantys oro stulpus, atviri.
Oro stulpai užlenkti	<ul style="list-style-type: none">▶ Pripūskite daugiau oro (10 psi / 0,69 bar).
Oro pratekėjimas	<ul style="list-style-type: none">▶ Patikrinkite, ar vožtuvai gerai įsukti į oro stulpą ir įdėta tarpinė.▶ Patikrinkite, ar vožtuvo vamzdelis gerai prisuktas.▶ Patikrinkite, ar nėra pradūrimų, žr. skyrius „Pradūrimo oro stulpe taisymas“ 99 psl..

Problema	Sprendimas
Vandens pratekėjimas	<ul style="list-style-type: none">▶ Patikrinkite, ar nėra plyšusių siūlių, pažeistų juostų ir drėgnų vietų.▶ Jei nerandate pratekėjimo, žr. skyrius „Kondensavimas“ 99 psl..▶ Jei randate pratekėjimą, uždėkite siūlių sandariklio.
Įtrūko medžiaga	<ul style="list-style-type: none">▶ Naudokite taisyimo juostą.▶ Taisyti turi įgaliotas specialistas.

Kondensavimas

Visų tentinių palapinių viduje kaupiasi kondensatas, esant vienai ar kelioms iš šių sąlygų:

- Didelis oro drėgnumas
- Didelis žemės drėgnumas
- Temperatūros sumažėjimas

Rimtas kondensavimas gali varvėti nuo stogo ir pažeisti jungtis, gali atrodyti, kad praleidžia juostos ir kitos sujungimo medžiagos.

- ▶ Padidinkite ventilaciją atverdami duris ir (arba) langus.
- ▶ Naudokite vandens nepraleidžiantį brezentą ant grindų.

Pradūrimo oro stulpe taisymas

Jei iš oro stulpo išteka oras, elkitės taip:

1. Atsekite išorinį vožtuvą, laikantį oro stulpą.
2. Uždarykite izoliacinius vožtuvus, jei įdėti.
3. Nuimkite oro stulpą.
4. Išleiskite orą iš oro stulpo.
5. Atsekite apsauginę įvorę, kad matytumėte pripūtimo vamzdelį.
6. Įpūskite šiek tiek oro.
7. Įkiškite vamzdelį į vandenį.
8. Raskite dūrio vietą.
9. Naudokite taisyimo juostą ir tirpalą, kad užtaisytumėte skylę.
10. Užsekite pripūtimo vamzdelį po apsaugine įvore.
11. Prisekite oro stulpą prie išorinės įvorės.

- ▶ Taip pat atsižvelkite į informaciją, pateiktą 18 pav., 7 psl..

Utilizavimas



- ▶ Jei įmanoma, pakavimo medžiagą sudėkite į atitinkamas perdirbimo šiukšliadėžes.
- ▶ Išsamios informacijos apie tai, kaip gaminį pašalinti pagal galiojančias atliekų šalinimo taisykles, teiraukitės vietiniame perdirbimo centre arba specializuoto prekybos atstovo.

Garantija

Taikomas įstatymų nustatytas garantinis laikotarpis. Jei gaminys pažeistas, kreipkitės į mažmeninę arba į gamintojo atstovybę savo šalyje (žr. dometic.com/dealer).

Jei reikalingas remontas ir garantinis aptarnavimas, pristatydami gaminį pateikite šiuos dokumentus:

- Kvito kopiją su nurodyta pirkimo data
- Pretenzijos priešastį arba gedimo aprašymą

Atkreipkite dėmesį, kad remontas savo jėgomis arba neprofesionalus remontas gali turėti pasekmių saugumui ir gali panaikinti garantiją.

Garantija apima gamybos defektus, medžiagas ir dalis. Garantija netaikoma blukimui, nusidėvėjimui dėl UV spindulių, netinkamo naudojimo, netyčinio sugadinimo, audros arba dėl nuolatinio, ilgalaikio arba komercinio naudojimo. Ji neapima dėl to atsiradusių pažeidimų. Dėl pretenzijos pateikimo susisiekite su prekybos atstovu. Tai nepažeidžia jūsų įstatymų nustatytų teisių.

Techniniai duomenys

	11 dydis	12 dydis	13 dydis	14 dydis	15 dydis	16 dydis	17 dydis	18 dydis	19 dydis
Matmenys	žr. 1 pav., 3 psl.								
Sujungimo aukštis	2350 – 2500 mm								
Bendrasis svoris (1 ir 2 dėžutės)	38,7 kg / 15,2 kg	39,2 kg / 15,2 kg	39,5 kg / 16,5 kg	40,1 kg / 16,5 kg	43,1 kg / 17,0 kg	43,7 kg / 17,0 kg	46,0 kg / 18,0 kg	46,8 kg / 18,0 kg	47,0 kg / 18,2 kg
Grynasis svoris	35,3 kg / 13,5 kg	35,8 kg / 13,5 kg	36,2 kg / 14,8 kg	36,7 kg / 14,8 kg	40,0 kg / 15,3 kg	40,5 kg / 15,3 kg	42,8 kg / 16,0 kg	43,4 kg / 16,0 kg	43,4 kg / 16,7 kg

Lūdzu, rūpīgi izlasiet šīs lietošanas rokasgrāmatas norādījumus un ievērojiet visus norādījumus, vadlīnijas un brīdinājumus, kas ietverti šajā produkta rokasgrāmatā, lai nodrošinātu, ka produkts vienmēr tiek pareizi uzstādīts, lietots un apkopots. Šie norādījumi ir JĀGLABĀ kopā ar produktu.

Lietojot šo produktu jūs apstiprināt, ka visi norādījumi, vadlīnijas un brīdinājumi ir izlasīti, saprasti, un jūs piekrītat ievērot noteikumus un nosacījumus, kas izklāstīti šajā rokasgrāmatā. Jūs piekrītat lietot šo produktu tikai tam paredzētajam nolūkam un pielietojumam, un saskaņā ar norādījumiem, vadlīnijām un brīdinājumiem, kas izklāstīti šajā produkta rokasgrāmatā, kā arī saskaņā ar piemērojamiem tiesību aktiem un noteikumiem. Neizlasot un neievērojot instrukcijas un brīdinājumus, kas izklāstīti šajā rokasgrāmatā, varat radīt savainojumus sev un citiem, nodarīt bojājumus produktam vai bojājumus citam tuvumā esošajam īpašumam. Šī produkta rokasgrāmatā, tostarp norādījumi, vadlīnijas un brīdinājumi, un saistītā dokumentācija var mainīties vai tikt atjaunota. Lai iegūtu jaunāko produkta informāciju, lūdzu, apmeklējiet vietni documents.dometic.com, dometic.com.



Meklējiet "How To Set Up Your Caravan Awning" video
https://www.youtube.com/watch?v=hokC_gmD0IQ

Simbolu skaidrojums



BĪSTAMI!

Drošības instrukcija: norāda uz bīstamu situāciju, kura, ja no tās neizvairās, izraisīs nāvi vai smagus ievainojumus.



BRĪDINĀJUMS!

Drošības instrukcija: norāda uz bīstamu situāciju, kura, ja no tās neizvairās, var izraisīt nāvi vai smagus ievainojumus.



ESIET PIESARDZĪGI!

Drošības instrukcija: norāda uz bīstamu situāciju, kura, ja no tās neizvairās, var izraisīt vieglas vai vidēji smagus ievainojumus.



ŅEMĪET VĒRĀ!

Norāda uz situāciju, kura, ja no tās neizvairās, var izraisīt īpašuma bojājumus.



PIEZĪME

Papildu informācija produkta lietošanai.

Drošības norādes



BĪSTAMI! Šo norādījumu neievērošana izraisīs nāvējošas vai smagas traumas.

Saindēšanās ar oglekļa monoksīdu risks

- Markīzes telti nekad neuzstādiet kurināmās ierīces, piemēram, grīlus vai gāzes sildītājus. Degšanas procesā rodas oglekļa monoksīds, kas uzkrājas markīzes teltī, jo nav dūmvadu, kur to novadīt.



BRĪDINĀJUMS! Šo brīdinājumu neievērošana var izraisīt nāvējošas vai smagas traumas.

Ugunsdrošības apdraudējums

- Sargājiet šīs telts audumu no visiem liesmas un karstuma avotiem.
- Nodrošiniet, ka jūs zināt par ugunsdrošības pasākumiem attiecīgajā teritorijā.
- Negatavojiet ēdienu markīzes teltī, kā arī neizmantojiet atklātu liesmu.

Nosmakšanas risks

- Lai izvairītos no nosmakšanas, nodrošiniet, ka ventilācijas atveres vienmēr ir atvērtas.



ESIET PIESARDZĪGI! Šo brīdinājumu neievērošana var izraisīt vieglas vai vidēji smagas traumas.

Traumu risks

- Šī ierīce nav paredzēta lietošanai personām (tajā skaitā bērniem) ar ierobežotām fiziskām, uztveres vai garīgām spējām vai bez pieredzes un zināšanām, ja vien šādas personas tiek uzraudzītas vai ir saņēmušas norādījumus par ierīces drošu lietošanu.
- Neļaujiet bērniem rotaļāties ap markīzes telti un nodrošiniet, ka tiek valkāti atbilstoši aizsargapavi. Aiz atsaitēm iespējams pakļūpt, un telts mietiņi var būt asi.
- Bērni drīkst tīrīt ierīci un veikt tās apkopi tikai pieaugušo uzraudzībā.
- Neaizšķersojiet ejas.

Komplektācija

Detaja	Daudzums
Markīzes telts	1
Priekšējais panelis	2
Sānu panelis	2
Kokvilnas aizkaru komplekts	1
Gale 12 V pumpis	1
PVC caurvēja aizsargs	1
Vēja siksnas	2
Mietiņu komplekts	1
Soma pārnēsāšanai	2
Uzstādīšanas un lietošanas rokasgrāmatā	1

Papildu piederumi

Detajas, kas pieejamas kā papildu piederumi (nav iekļautas piegādes komplektācijā)

Apraksts	Atsauces numurs
Residence AIR Tall piebūve	9120002142
Residence Continental paklājs	
• Izmērs 11, 12	9120002286
• Izmērs 13, 14	9120002221
• Izmērs 15, 16	9120002223
• Izmērs 17, 18	9120002225
• Izmērs 19	9120002287
Residence tīkla panelis	
• Izmērs 11	9120002274
• Izmērs 12	9120002275
• Izmērs 13	9120002144
• Izmērs 14	9120002145
• Izmērs 15	9120002146
• Izmērs 16	9120002147
• Izmērs 17	9120002148
• Izmērs 18	9120002149
• Izmērs 19	9120002276
Residence grīdas segums	
• Izmērs 11	9120002277
• Izmērs 12	9120002278
• Izmērs 13	9120002151

Apraksts	Atsauces numurs
• Izmērs 14	9120002152
• Izmērs 15	9120002153
• Izmērs 16	9120002154
• Izmērs 17	9120002155
• Izmērs 18	9120002156
• Izmērs 19	9120002279
Veranda stabs	9120002264
Veranda Storm pamatne	9120002157

Paredzētais izmantošanas mērķis

Šī markīzes telts ir piemērota tālāk norādītajiem mērķiem.

- Dzīvojamajām piekabēm
- Mierīgiem un vidēji mierīgiem laikapstākļiem
- Ceļošanai
- Sezonālām nometnēm

Šī markīzes telts **nav** piemērota tālāk norādītajiem mērķiem.

- Spēcīgam vējam un snigšanai
- Komerccarbībai

Šis produkts ir piemērots tikai paredzētajam mērķim un lietojumam saskaņā ar šo instrukciju.

Šajā rokasgrāmatā ir sniegta informācija, kas nepieciešama pareizai produkta uzstādīšanai un/vai lietošanai. Nekvalitatīva uzstādīšana un/vai nepareiza lietošana vai apkope izraisīs neatbilstošu darbību un iespējamus bojājumus.

Ražotājs neuzņemas atbildību par savainojumiem vai produkta bojājumiem, kas radušies šādu iemeslu dēļ:

- nepareiza montāža vai pievienošana, tostarp pārmērīgs spriegums;
- nepareiza apkope vai tādu neoriģinālo rezerves daļu, kuras nav piegādājis ražotājs, lietošana;
- produkta modifikācijas, kuras ražotājs nav nepārprotami apstiprinājis;
- lietošana citiem mērķiem, kas nav aprakstīti šajā rokasgrāmatā.

Dometic patur tiesības mainīt produkta ārējo izskatu un specifiskāciju.

Markīzes telts lietošana



ESIET PIESARDZĪGI! Traumu un materiālo bojājumu risks

Nekad neatveriet aizsargapvalka rāvējslēdzēju, kamēr piepūšamais stabs tiek piepūšs ar gaisu. Tas var izraisīt piepūšamā staba plīšanu.

Pirms pirmās lietošanas reizes

Pirms pirmās lietošanas reizes iepazīstieties ar produktu, veicot pārbaudes uzstādīšanu. Pārbaudiet, vai piegādes komplektācija ir pilnīga.

Uzstādīšanas vietas izvēle

Izvēlieties līdzenu vietu, kas aizsargāta no vēja.

1. Nepieciešamības gadījumā izmantojiet vēja barjeru.
2. Izvēlieties ēnainu vietu, lai izvairītos no nelabvēlīgas UV starojuma ietekmes uz audumu.
3. Izvairieties no telts uzstādīšanas zem kokiem, jo krītoši zari, sveķi u.c. var sabojāt šo produktu.
4. Attīriet uzstādīšanas vietu no asiem akmeņiem un gruziem, lai izvairītos no pamatnes seguma bojājumiem.
5. Uzstādiet produktu tā, lai durvis būtu vērstas vēja virzienā.

Markīzes telts uzstādīšana



ESIET PIESARDZĪGI! Traumu un materiālo bojājumu risks

- Neizmantojiet kompresoru, kas paredzēts automobiļu riepu piepūpšanai.
- Piepūpējiet piepūšamos stabus, nepārsniedzot komplektā iekļautā rokas pumpja spiediena mēritāja zaļajā zonā norādīto spiedienu (10 psi/0,69 bar).



NEMIET VĒRĀ! Materiālie bojājumi

- Neatveriet rāvējslēdzējus ar spēku.
- Ja markīzes telts pievienošanai tiek izmantota kasešu markīze, veicot darbu, atbalstiet kasešu markīzi, lai nepakļauto to pārāk lielai slodzei. Pēc markīzes telts pievienošanas pilnībā ievelciet kasešu markīzi atpakaļ tās korpusā.



PIEZĪME

- Markīzes telts komplektā iekļauti īpaši izturīgi mietiņi. Tie būs piemēroti lielai daļai uzstādīšanas vietu, tomēr dažiem seguma veidiem var būt nepieciešami īpaši mietiņi. Vaicājiet savam izplatītājam.
- Iedzeniet mietiņus zemē 45° leņķī virzienā prom no markīzes telts.
- Nostipriniet katru atsaiti vienā linijā ar šuvi, no kuras tā sākas.

Uzstādot markīzes telti, ņemiet vērā tālākos ieteikumus.

- Attēli sniedz vispārīgu pārskatu par uzstādīšanu. Faktiskā uzstādīšana var atšķirties atkarībā no markīzes telts modeļa.
- Lūdziet palīdzību. Uzstādīšana ir vienkāršāka, ja iesaistīti vairāki cilvēki.
- Pēc markīzes telts novietošanas vertikālā stāvoklī pārbaudiet mietiņus stūros un nepieciešamības gadījumā tos iedzeniet no jauna. Iekšējam pamatnes segumam jābūt nospriegotam un taisnstūra formā.
- Nostipriniet atsaites tā, lai markīzes telts būtu nospriegota, bet forma netiktu deformēta.
- Uzstādiet vēja siksnas, ja tādas pieejamas.
- Lai atsaites būtu pietiekami nospriegotas, ik pa laikam tās pārbaudiet un nepieciešamības gadījumā noregulējiet.

Uzstādiet markīzes telti, ievērojot tālākās norādes.

1. Lai pasargātu markīzes telti no netīrumiem un bojājumiem, pirms izpakošanas nokļāviet uz zemes pamatplēvi vai grīdas segumu.
2. Izpakoiet markīzes telti.
3. Sašķirojiet un identificējiet visas sastāvdaļas.
4. Lai uzstādītu markīzes telti, sekojiet norādījumiem (att. **2**, 3. lpp. – att. **17**, 7. lpp.).

Markīzes telts nojaukšana



NEMIET VĒRĀ! Bojājumu risks

Markīzes telts nojaukšanai nepielietojiet spēku. Pretējā gadījumā pastāv iespēja sabojāt materiālus.

1. Notīriet no ārpuses visus netīrumus.
2. Aizveriet visas žalūzijas vai noņemiet aizkarus.
3. Aizveriet visas durvis un atveres.
4. Ja tāds uzstādīts, bīdiet papildu stabu ārā no apvalka, nevelciet to.
5. Noņemiet visas atsaites un siksnas.
6. Izņemiet visus mietiņus, kas atrodas starp stūra mietiņiem.
7. Atveriet uz katra piepūšamā staba esošos vārstus.
8. Gaidiet, kamēr lielākā daļa gaisa izplūst.
9. Izņemiet četrus mietiņus stūros.

- Lokiet/rullējiet markīzes telti vārstu virzienā, lai izspiestu vairāk gaisa.
- Kad gaiss izplūdis, sarullējiet markīzes telti tā, lai to varētu ievietot pārnēsāšanas somā.
- Pārliecinieties, ka pirms telts ievietošanas pārnēsāšanas somā visas tās daļas ir tīras.
- Ja markīzes telts ir slapjš vai mitra, pēc iespējas ātrāk to izžāvējiet pilnībā.

Tīrīšana un apkope



NEMIET VĒRĀ! Bojājumu risks

- Tīrīšanai nelietojiet asus, cietus priekšmetus vai tīrīšanas līdzekļus.
- Tīrīšanai nelietojiet materiālus, ķīmikālijas, ziepes un mazgāšanas līdzekļus uz alkohola bāzes.
- Notīriet putnu ekskrementus un koku sveķus pēc iespējas ātrāk, lai izvairītos no neatgriezeniskiem materiāla bojājumiem.

- Nepieciešamības gadījumā tīriet produktu ar tīru ūdeni un mīkstu birsti.
- Pirms katra izbraukuma apstrādājiet telti ar impregnēšanas līdzekli pret ūdeni un UV starojumu.

Markīzes telts uzglabāšana



PIEZĪME

- Pilnībā uzstādiet markīzes telti tīrīšanai.
- Tīrīšanai izvēlieties saulainu dienu, lai nodrošinātu, ka materiāls pilnībā izžūst.

- Markīzes telts tīrīšana.
- Izvēdiniet to un nodrošiniet, ka pirms iepakojšanas markīzes telts ir pilnībā sausa.
- Glabājiet sausā, labi ventilētā vietā.

Veranda stabu izmantošana (izvēles aprīkojums)

Veranda stabu (piederumi) garums ir pilnībā regulējams ar pagriežamiem fiksatoriem. Stabus iespējams izmantot tālāk norādītajiem nolūkiem.

- Stabus var izmantot markīzes telts izturības palielināšanai nelabvēlīgos laikapstākļos. Markīzes teltij ir piecas pozīcijas stabu uzstādīšanai.
- Stabus iespējams uzstādīt pāri abām durvju atverēm, izveidojot žāvēšanas stangu.
- Durvis un logus iespējams sarullēt pāri stabiem, veidojot atveres labākai gaisa cirkulācijai labos laikapstākļos.

Problēmu novēršana



PIEZĪME

- Pirmo reizi saskaroties ar ūdeni šuvēs var rasties mitrums. Mitruma ietekmē diegs piebriedīs un aizpildīs šūšanas laikā radušos caurumus.
- Pilnā rezerves daļu komplektā jābūt iekļautam tālāk norādītajam aprīkojumam.
 - Hidrofobizators
 - Remonta lente un remonta šķīdums
 - Silikona aerosols rāvējslēdzējiem
 - Rezerves mietiņi

Problēma	Risinājums
Markīzes telts piepūšas tikai ar grūtībām	<ul style="list-style-type: none"> Pārbaudiet, vai vārsts ir pilnībā ieskrūvēts piepūšamajā stabā. Pārbaudiet, vai piepūšanas caurule pie vārsta nav savērpusies. Par to var liecināt trokšnis. Iztaisojiet piepūšanas cauruli. Pārbaudiet, vai rokas pumpis darbojas.
Daļa markīzes telts nepiepūšas vai neizlaiž gaisu.	<ul style="list-style-type: none"> Pārbaudiet, vai visi piepūšamos stabus savienošie noslēgvārsti ir atvērti.
Piepūšamie stabi ir sačokurojušies	<ul style="list-style-type: none"> Iepumpējiet vairāk gaisa (10 psi/0,69 bar).
Gaisa noplūde	<ul style="list-style-type: none"> Pārbaudiet, vai vārsts ir pilnībā ieskrūvēts piepūšamajā stabā un blīvgredzens ir savā vietā. Pārbaudiet, vai vārsta vāciņš ir stingri aizskrūvēts. Pārbaudiet, vai nav caurumu. Skat. nodaļa "Piepūšamā staba caurumu labošana", 103. lpp..
Ūdens sūce	<ul style="list-style-type: none"> Meklējiet bojātas šuves, līmējuma vietas un mitras zonas. Ja sūci neizdodas atrast, skat. nodaļa "Kondensāts", 103. lpp.. Ja sūci izdodas atrast, apstrādājiet to ar šuvju hermētīki.
Plīsums audumā	<ul style="list-style-type: none"> Izmantojiet remonta lentu, lai aizlīmētu audumu. Uzticiet remonta veikšanu pilnvarotam speciālistam.

Kondensāts

Visām markīzes teltīm iekšpusē rodas kondensāts, ja izpildās vismaz viens no tālāk norādītajiem nosacījumiem.

- Augsts gaisa mitrums
- Augsts zemes mitrums
- Temperatūras krišanās

Spēcīgs kondensāts var tecēt pa jumta iekšpusi un nopilēt no saitēm, lentiem un citiem iekšējiem elementiem, un tas var tikt sajaukts ar sūci.

- Palieliniet ventilāciju, atverot durvis un/vai logus.
- Uzstādiet ūdensnecaurlaidīgu pamatnes segumu.

Piepūšamā staba caurumu labošana

Ja piepūšamajam stabam ir gaisa noplūde, ievērojiet tālākās norādes.

- Atveriet piepūšamā staba ārējā apvalka rāvējslēdzēju.
 - Aizveriet noslēgvārstus, ja tādi uzstādīti.
 - Izņemiet piepūšamo stabu.
 - Izlaidiet no piepūšamā staba gaisu.
 - Atveriet aizsargapvalka rāvējslēdzēju, lai piekļūtu piepūšamajai caurulei.
 - Iepūtiet piepūšamajā caurulē nedaudz gaisa.
 - Iegremdējiet cauruli ūdenī.
 - Atrodiet caurumu.
 - Izmantojiet remonta lentu un remonta šķīdumu, lai aizlīmētu caurumu.
 - Ievietojiet piepūšamo cauruli atpakaļ aizsargapvalkā.
 - Ievietojiet piepūšamo stabu atpakaļ ārējā apvalkā.
- Sekojiet arī norādījumiem att. **18**, 7. lpp..

Atkritumu pārstrāde



- ▶ Ja iespējams, iepakojuma materiālus izmetiet atbilstošos atkritumu šķirošanas konteineros.
- ▶ Informāciju par produkta utilizāciju, ievērojot spēkā esošos atkritumu apsaimniekošanas noteikumus, konsultējieties ar vietējo atkritumu pārstrādes centru vai specializēto izplatītāju.

Garantija

Ir spēkā likumā noteiktais garantijas periods. Produkta bojājumu gadījumā sazinieties ar tirgotāju vai ražotāja filiāli savā valstī (skatiet dome-tic.com/dealer).

Nosūtot produktu remontam garantijas ietvaros, pievienojiet šādus dokumentus:

- čeka kopiju, kurā norādīts iegādes datums;
- pretenzijas iesniegšanas iemeslu vai bojājuma aprakstu.

Ņemiet vērā, ka pašrocīgi vai neprofesionāli veikts remonts var radīt drošības riskus, un garantija var tikt anulēta.

Garantija attiecas uz ražošanas defektiem, materiāliem un detaļām. Garantija neattiecas uz krāsas izbalēšanu un nolietojumu, kas radies UV radiācijas, nepareizas izmantošanas, netīša bojājuma, vētras radītu bojājumu, kā arī ilgstošas, nepārtrauktas vai komerciālas izmantošanas dēļ. Attiecīgos bojājumus garantija nesedz. Ar pretenzijām vērsieties pie sava tirgotāja. Tas neietekmē jūsu likumā noteiktās tiesības.

Tehniskie dati

	Izmērs 11	Izmērs 12	Izmērs 13	Izmērs 14	Izmērs 15	Izmērs 16	Izmērs 17	Izmērs 18	Izmērs 19
Izmēri	skat. att. 1 , 3. lpp.								
Savienojuma augstums	2350 – 2500 mm								
Bruto svars (1. un 2. kaste)	38,7 kg/ 15,2 kg	39,2 kg/ 15,2 kg	39,5 kg/ 16,5 kg	40,1 kg/ 16,5 kg	43,1 kg/ 17,0 kg	43,7 kg/ 17,0 kg	46,0 kg/ 18,0 kg	46,8 kg / 18,0 kg	47,0 kg/ 18,2 kg
Neto svars	35,3 kg/ 13,5 kg	35,8 kg/ 13,5 kg	36,2 kg/ 14,8 kg	36,7 kg/ 14,8 kg	40,0 kg/ 15,3 kg	40,5 kg/ 15,3 kg	42,8 kg/ 16,0 kg	43,4 kg/ 16,0 kg	43,4 kg/ 16,7 kg

Mobile living made easy.



dometic.com

**YOUR LOCAL
DEALER**

dometic.com/dealer

**YOUR LOCAL
SUPPORT**

dometic.com/contact

**YOUR LOCAL
SALES OFFICE**

dometic.com/sales-offices

A complete list of Dometic companies, which comprise the Dometic Group, can be found in the public filings of:
DOMETIC GROUP AB • Hemvärnsgatan 15 • SE-17154 Solna • Sweden