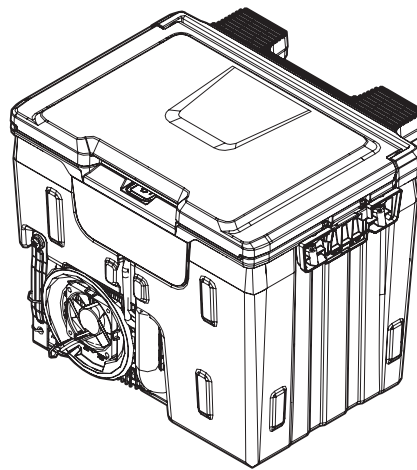




REFRIGERATION

CENTER CONSOLE REFRIGERATOR



CCF-T/GM-T1XX

- EN CCF-T Refrigerator**
Installation and Operation Manual 2
- FR Réfrigérateur CCF-T**
Manuel d'installation et de fonctionnement . . 16
- ES Refrigerador CCF-T**
Manual de instalación y funcionamiento . . . 31

 WARNING
Cancer and Reproductive Harm www.P65Warnings.ca.gov

Service Center & Dealer Locations

Visit: www.dometic.com

Please read these instructions carefully and follow all instructions, guidelines, and warnings included in this product manual in order to ensure that you install, use, and maintain the product properly at all times. These instructions MUST stay with this product.

By using the product, you hereby confirm that you have read all instructions, guidelines, and warnings carefully and that you understand and agree to abide by the terms and conditions as set forth herein. You agree to use this product only for the intended purpose and application and in accordance with the instructions, guidelines, and warnings as set forth in this product manual as well as in accordance with all applicable laws and regulations. A failure to read and follow the instructions and warnings set forth herein may result in an injury to yourself and others, damage to your product, or damage to other property in the vicinity. This product manual, including the instructions, guidelines, and warnings, and related documentation, may be subject to changes and updates. For up-to-date product information, please visit www.dometic.com.

Contents


- 1 Explanation of Symbols and Safety Instructions 2**
 - 1.1 Recognize Safety Information 2
 - 1.2 Understand Signal Words 3
 - 1.3 Supplemental Directives 3
 - 1.4 General Safety Messages 3
- 2 Intended Use 4**
- 3 General Information 4**
 - 3.1 Tools and Materials 4
 - 3.2 Data Plate 5
 - 3.3 Component Locations 5
 - 3.4 External Dimensions 6
- 4 Specifications 6**
- 5 Wiring Diagram 7**
- 6 Preinstallation 7**
 - 6.1 Assessing the Installation Location 8
 - 6.2 Removing the Cupholders 8
 - 6.3 Removing the Console Back Panel 8
 - 6.4 Testing the Refrigerator 9
 - 6.5 Replacing the Side Brackets 9

- 6.6 Preparing the Front Fan Opening 10
- 6.7 Preparing the Rear Power Connector Location 10
- 7 Installation 11**
 - 7.1 Installing the Refrigerator 11
 - 7.2 Reinstalling the Console Back Panel 12
 - 7.3 Reinstalling the Cupholders 12
- 8 Operation 12**
 - 8.1 Turning the Refrigerator ON 12
 - 8.2 Turning the Refrigerator OFF 13
 - 8.3 Adjusting the Refrigerator 13
 - 8.4 Opening and Closing the Refrigerator 13
 - 8.5 Storing Refrigerated Goods 13
- 9 Maintenance 13**
 - 9.1 Cleaning the Refrigerator 13
 - 9.2 Maintaining the Refrigerator When Not in Use 13
- 10 Troubleshooting 14**
- 11 Disposal 14**
- 12 Warranty Information 14**
 - 12.1 United States and Canada 14
 - 12.2 All Other Regions 14
- Sommaire 16**

1 Explanation of Symbols and Safety Instructions

This manual has safety information and instructions to help you eliminate or reduce the risk of accidents and injuries.

1.1 Recognize Safety Information

 **This is the safety alert symbol.** It is used to alert you to potential physical injury hazards. Obey all safety messages that follow this symbol to avoid possible injury or death.

1.2 Understand Signal Words

A signal word will identify safety messages and property damage messages, and also will indicate the degree or level of hazard seriousness.

DANGER!

Indicates a hazardous situation that, if **not** avoided, will result in death or serious injury.


WARNING

Indicates a hazardous situation that, if **not** avoided, could result in death or serious injury.

CAUTION

Indicates a hazardous situation that, if **not** avoided, could result in minor or moderate injury.

NOTICE: Used to address practices **not** related to physical injury.

 Indicates additional information that is not related to physical injury.

1.3 Supplemental Directives

To reduce the risk of accidents and injuries, please observe the following directives before proceeding to install and operate this appliance:

- Read and follow all safety information and instructions.
- Read and understand these instructions before installing and operating this product.
- The installation must comply with all applicable local or national codes.

1.4 General Safety Messages

WARNING: ELECTRICAL SHOCK, FIRE, AND/OR EXPLOSION HAZARD. Failure to obey the following warnings could result in death or serious injury:

- Use only Dometic replacement parts and components that are specifically approved for use with the appliance.

- Avoid improper installation, adjustment, alterations, service, or maintenance of the appliance. Service and maintenance **must** be done by a qualified service person only.
- Do **not** modify this product in any way. Modification can be extremely hazardous.
- Do **not** immerse this product in water.
- Do **not** use this product for any purpose other than as a mobile cooling device.
- Use care when diagnosing and/or adjusting the components on a powered unit.
- Turn off the vehicle's engine during installation.
- Dispose of properly in accordance with the applicable federal or local regulations.
- Do **not** drill or puncture the refrigerator assembly or refrigerant tubing. Follow handling instructions carefully.

WARNING: CARBON MONOXIDE AND/OR VEHICLE SAFETY. Failure to obey the following warnings could result in death or serious injury:

- Park the vehicle in a well-ventilated area during the installation process.
- Ensure the vehicle is in Park with the emergency brake engaged at all times during the installation process.
- Follow all vehicle manufacturer safety procedures.

CAUTION

Avoid touching the compressor or front fan blades during installation. Failure to obey this caution could result in minor or moderate injury.

NOTICE: Failure to obey the following notices could result in property damage:

- Do **not** use a power strip or two-way splitter.
- Do **not** use power cord adapters other than those provided by the manufacturer.
- Do **not** fill this product with ice cubes or water. If frost or condensation accumulates inside this product, wipe dry with a soft sponge or microfiber cloth.

2 Intended Use

The center console refrigerator (or “refrigerator”) provides vehicle passengers with easy access to refrigerated items from within the comfort of the vehicle cabin. The refrigerator is designed to fit within the existing console footprint and to provide an automatically controlled cooling environment for packaged items. This refrigerator is only suitable for the intended purpose and application in accordance with these instructions.

This manual provides information that is necessary for proper installation and operation of the refrigerator. Poor installation and/or improper operating or maintenance will result in unsatisfactory performance and a possible failure. The manufacturer accepts no liability for any injury or damage to the product resulting from:

- Incorrect assembly or connection, including excess voltage
- Incorrect maintenance or use of spare parts other than the original spare parts provided by the manufacturer
- Alterations to the product without express permission from the manufacturer
- Use for purposes other than those described in this manual

Dometic reserves the right to change the product appearance and the product specifications.

3 General Information

This section provides information on the included parts, installation tools and materials, component locations, and the refrigerator.

- i** The images used in this document are for reference purposes only. Components and component locations may vary according to specific product models. Measurements may vary ± 0.38 in. (10 mm).

3.1 Tools and Materials

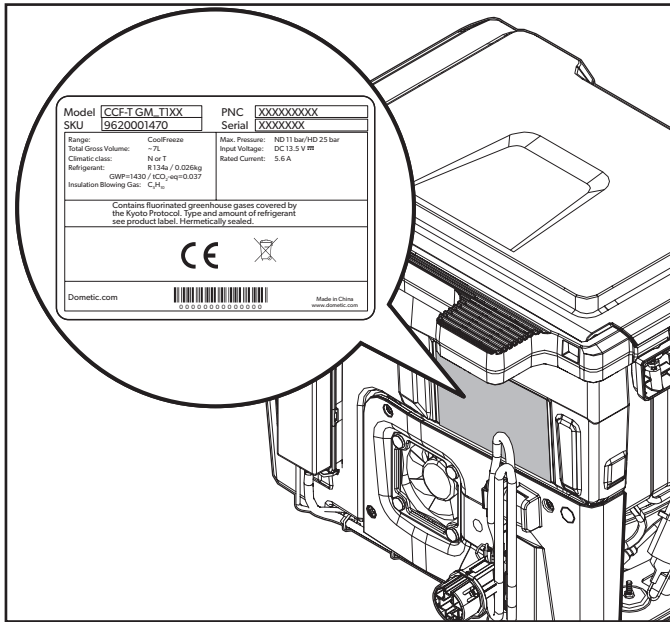
Dometic recommends that the following tools and materials be used while installing the appliance.

Included Parts	Quantity
Refrigerator Unit	1
Rubber Mat	2
Front Fan - Template	1
Attachment Bracket	2
Bracket Fastener	4

Recommended Tools	
Drill	Phillips Screwdriver
3.5 in. Hole Saw Drill Bit	Removable Tape
1-1/8 in. Hole Saw Drill Bit	T15, T20 Torx Screwdrivers
Marker	Vacuum or Shop Vac
Multimeter	

3.2 Data Plate

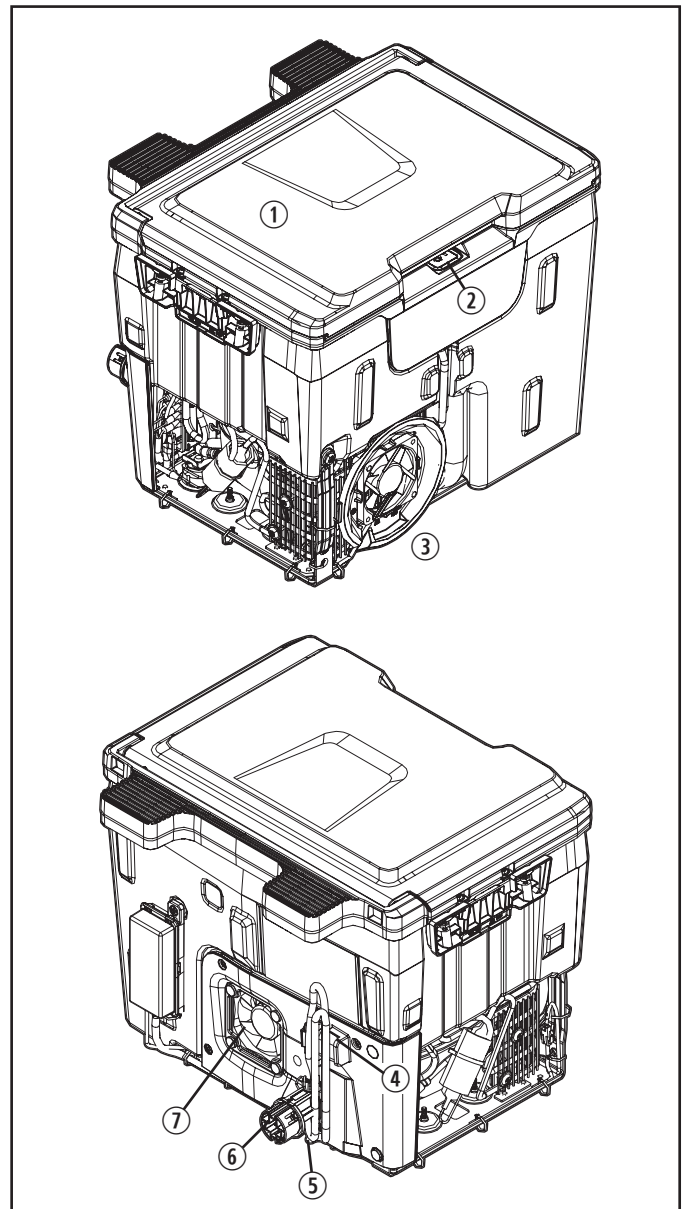
This section provides the location of the refrigerator data plate. Have this information readily available if you have to call the Dometic Customer Support Center.



1 Data Plate Location

3.3 Component Locations

This section identifies the refrigerator's main components.

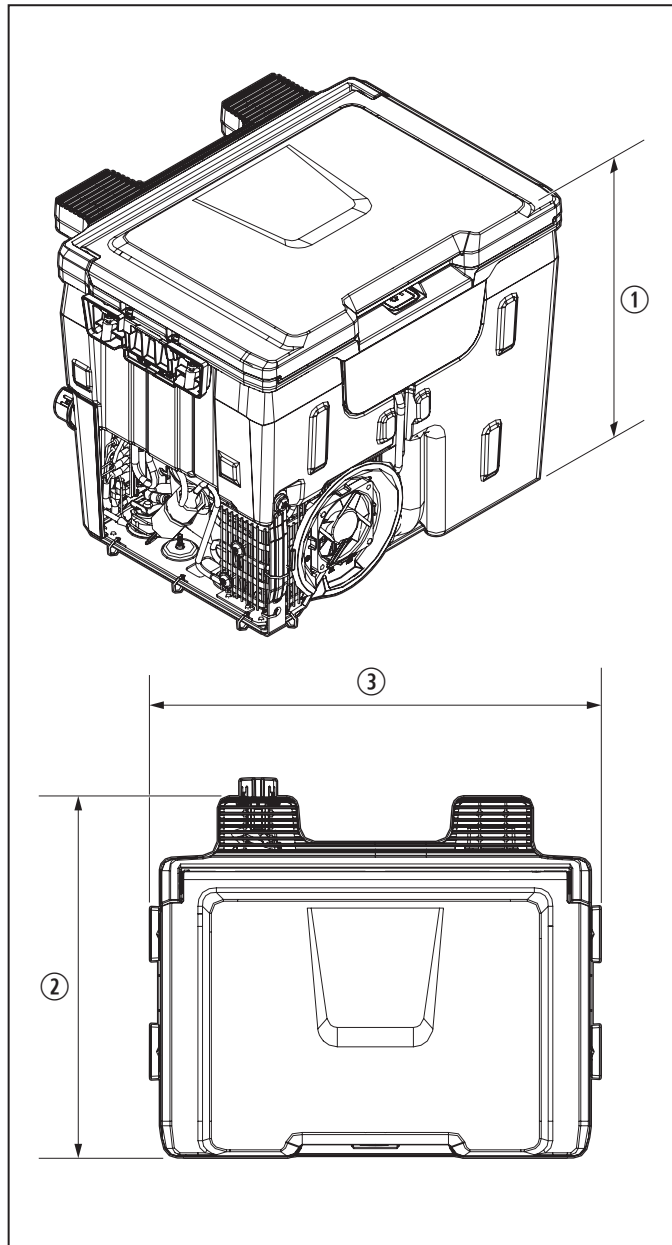


2 Refrigerator Component Locations

- ① Refrigerator Unit
- ② ON/OFF Button w/LED
- ③ Front Fan
- ④ 10 A Fuse
- ⑤ VDC Power Cord
- ⑥ VDC Power Plug
- ⑦ Condenser Fan

3.4 External Dimensions

This section identifies the refrigerator’s external dimensions.



3 Refrigerator Exterior Dimensions

- ① Height: 11.0 in. (279 mm)
- ② Depth: 11.5 in. (292 mm)
- ③ Width: 13.5 in. (343 mm)

4 Specifications

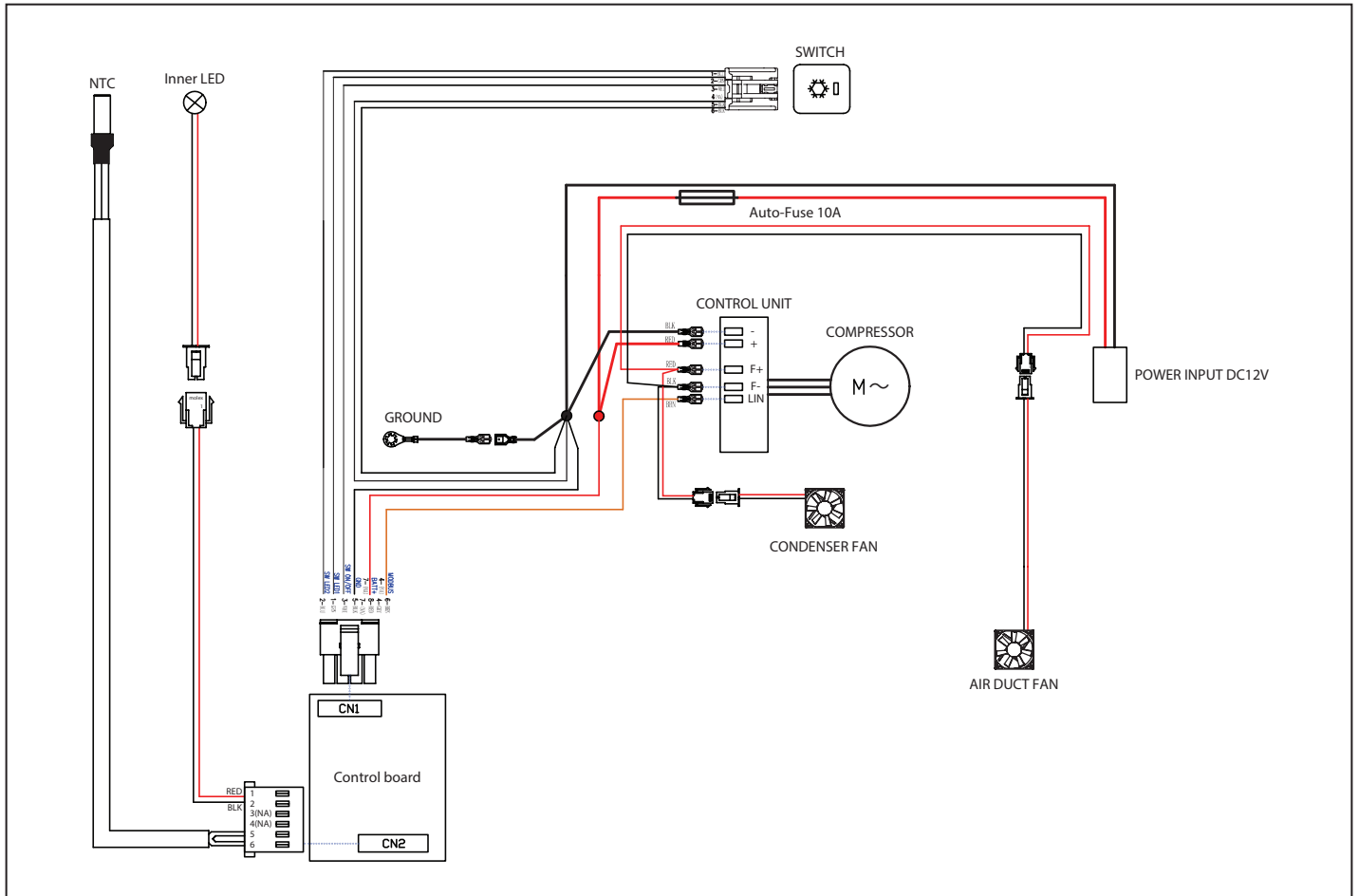
Weight	12.5 lbs (5.7 kg)
Voltage Input	12.0–16.0 VDC
Low Voltage Protection	12.3 VDC
Energy Consumption at Startup	5.6 A
Energy Consumption during Operation at 90 °F Ambient	4.2 A
Internal Volume	7 L
Beverage Storage Capacity	<ul style="list-style-type: none"> • Six 16.9 oz (500 mL) Bottles • Nine 12 oz (355 mL) Cans
Refrigerant and Charge	R134a 1 oz (26 g)
Temperature Setpoint	37 °F (3 °C)
Vehicle Models¹	<ul style="list-style-type: none"> • Chevrolet Silverado 1500 (2019–2021) • Chevrolet Silverado HD 2500/3500 (2020 and newer) • GMC Sierra 1500 (2019–2021) • GMC Sierra HD 2500/3500 (2020 and newer)

¹ Only available for models with a floor console configuration.

5 Wiring Diagram

⚠ WARNING: ELECTRIC SHOCK HAZARD.

Turn the power off before performing any electrical installation or maintenance activities. Failure to obey this warning could result in death or serious injury.



4 Refrigerator Wiring Diagram

6 Preinstallation

⚠ WARNING: CARBON MONOXIDE AND/OR VEHICLE SAFETY. Failure to obey the following warnings could result in death or serious injury:

- Park the vehicle in a well-ventilated area during the installation process.
- Turn off the vehicle's engine.

- Ensure the vehicle is in Park with the emergency brake engaged at all times during the installation process.

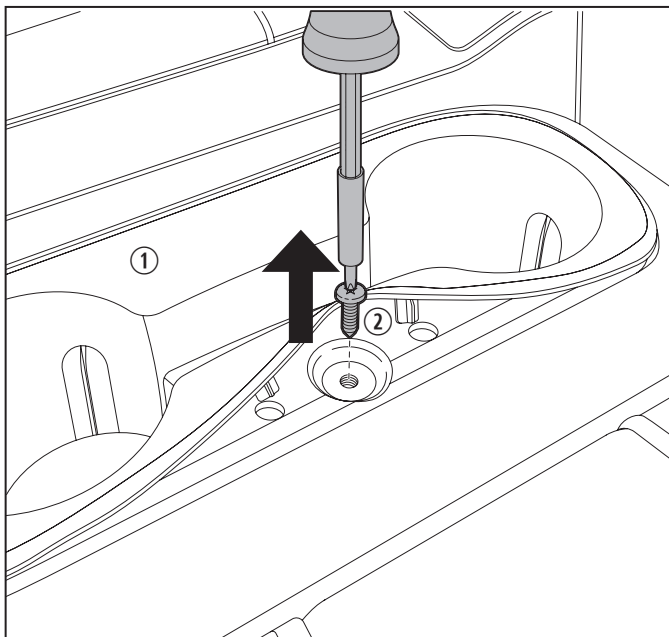
NOTICE: Avoid pinching, crushing, or breaking the wires or power cord. Otherwise damage to the refrigerator could occur.

This section describes the assessment and location preparations to install the refrigerator.

6.1 Assessing the Installation Location

1. Confirm your vehicle is the correct model, model year, and trim level to accept the refrigerator. See "Specifications" on page 6 for more information. Only trim packages with an integrated center floor console are eligible.
2. Verify you have the correct parts and tools to perform the refrigerator installation. See "Tools and Materials" on page 4 for more information.

6.2 Removing the Cupholders

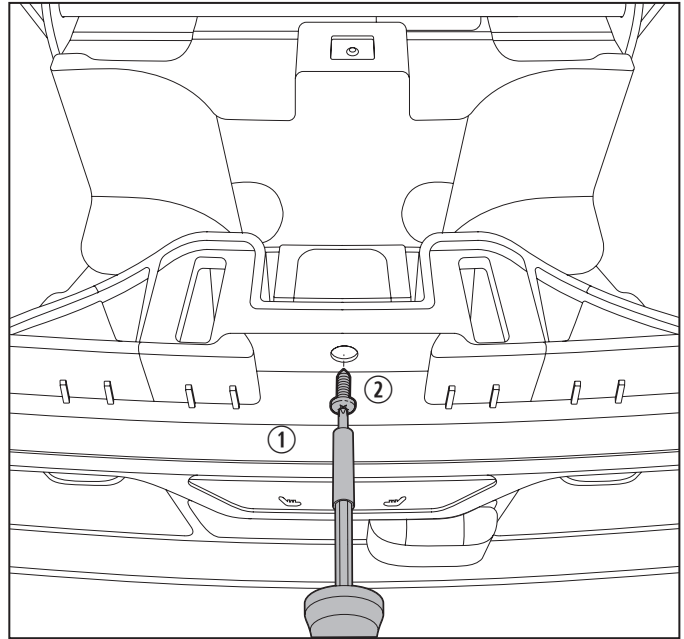


5 Removing the Cupholders

- ① Cupholders ② Screw

1. Lift up the rubber trim at the front of the cupholders to access the screw.
2. Use a T15 Torx screwdriver to loosen and remove the screw.
3. Firmly pull up the cupholders to release the hidden retainer clips, and remove the cupholders from the console.

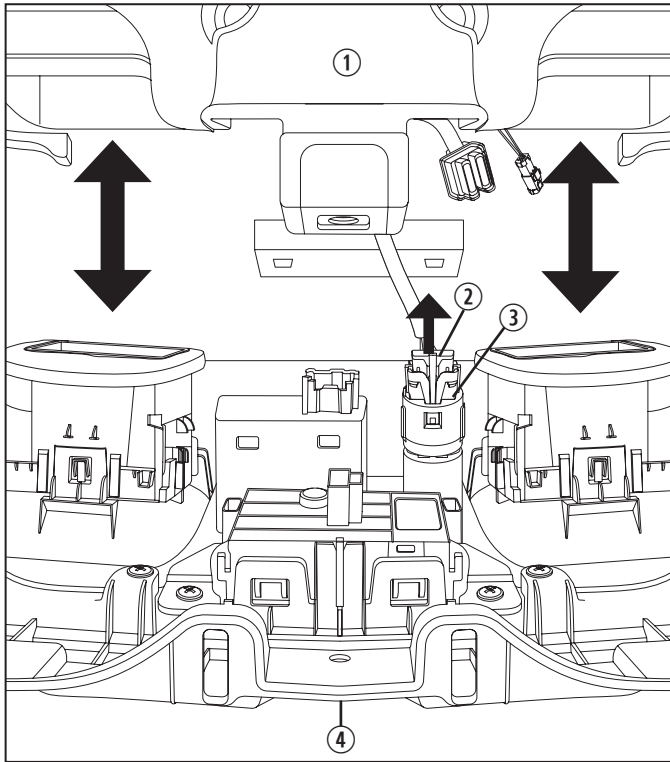
6.3 Removing the Console Back Panel



6 Removing the Console Back Panel

- ① Console Back Panel ② Screw

1. Use a T15 Torx screwdriver to remove the screw from the top of the console back panel.
2. Firmly pull the console back panel away from the console to release the hidden retainer clips, taking care not to strain the internal electrical connections.



7 Removing the Electrical Connections

- ① Center Console
- ② 12 V Rear Power Connector Red Tab
- ③ 12 V Rear Power Connector
- ④ Console Back Panel

3. Remove the red tab from the 12 V rear power connector.
4. Disconnect the 12 V rear power connector from the console back panel.
5. Disconnect all remaining electrical connections from the console back panel, and set the console back panel aside.

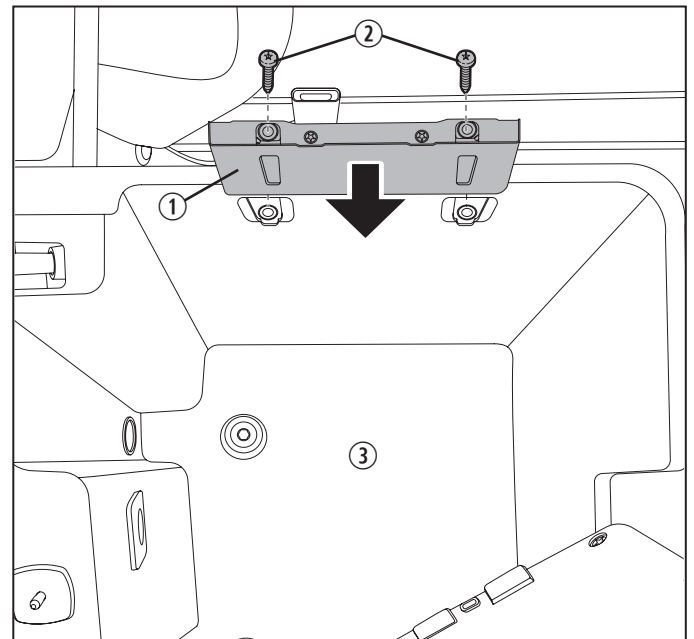
6.4 Testing the Refrigerator

i The console lid should remain open during the pre-installation and installation procedures.

1. Place the refrigerator unit upright on the floor, near the rear of the console (second row area).
2. Insert the vehicle's 12 V rear power connector into the refrigerator unit's 12 VDC power cord plug.
3. Start the vehicle engine.
4. Confirm the blue LED is illuminated on the refrigerator unit's ON/OFF button. If not, press and hold the button for one second, and then release.

5. Listen for the condenser fan to start. See "Troubleshooting" on page 14 if the condenser fan does not start.
6. Turn the vehicle engine OFF.
7. Press and hold the ON/OFF button to turn the refrigerator unit OFF.
8. Unplug the 12 VDC power cord.
9. Set the refrigerator unit away from the console.

6.5 Replacing the Side Brackets



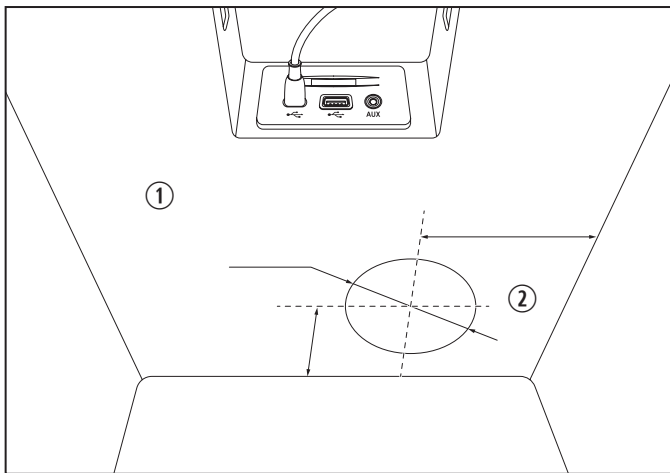
8 Replacing the Side Brackets

- ① Side Bracket
- ② Screws
- ③ Console Bin

1. Open the console bin to locate the side brackets.
2. Use a T20 Torx screwdriver to loosen and remove the screws from each side bracket.
 - i** Retain the screws.
3. Remove the existing side brackets.
 - i** Retain the side brackets.
4. Insert the provided mounting brackets.
5. Reverse these steps to install the new mounting brackets.

6.6 Preparing the Front Fan Opening

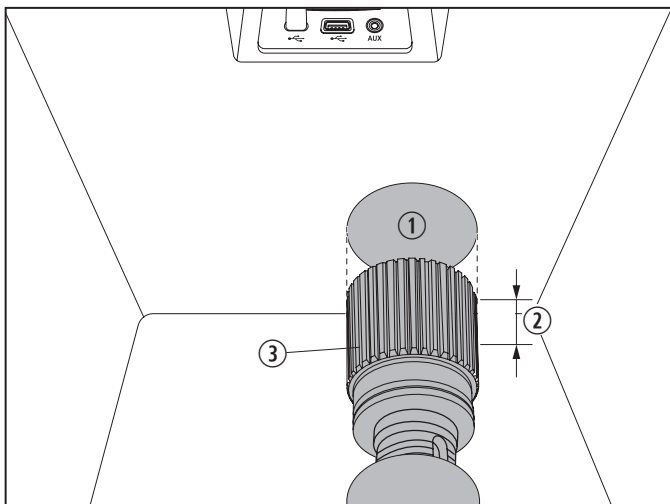
NOTICE: For vehicles with a Bose® sound system, do **not** exceed a drilling depth of 3/8 in. (10 mm) or damage could occur to the enclosure wall of the speaker.



9 Using the Front Fan Template

- ① Console Bin Front Wall
- ② Front Fan Template

1. Tape the front fan template to the inside, front wall of the console bin.
2. Using a marker, trace the center point opening from the template onto the console bin wall.



10 Drilling the Front Fan Opening

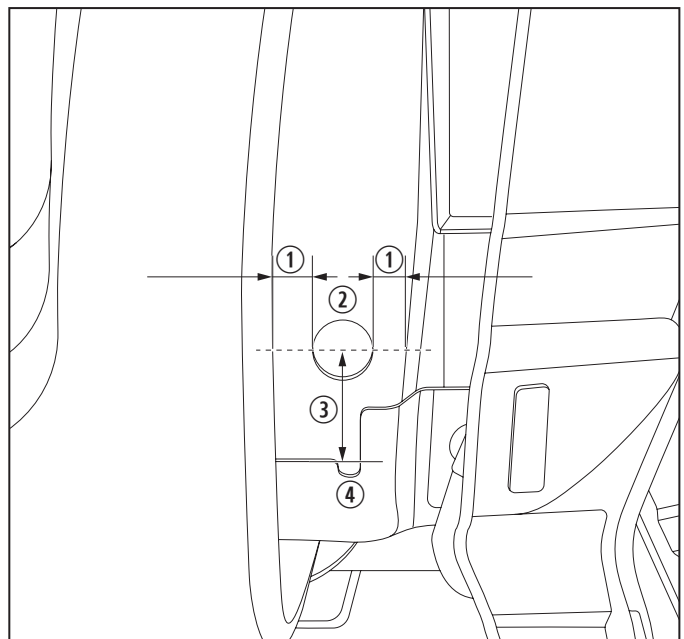
- ① 3.5 in. (89 mm) Hole
- ② 3/8 in. (10 mm) Maximum Drilling Depth
- ③ 3.5 in. (89 mm) Hole Saw Drill Bit

3. Remove the front fan template.
4. Use the 3.5 in. (89 mm) hole saw drill bit to drill an opening for the front fan.

i Depending on the drill size and type, a right-angle drill may be required to drill the hole without damaging the enclosure.

5. Vacuum any debris from the console and console bin area.

6.7 Preparing the Rear Power Connector Location

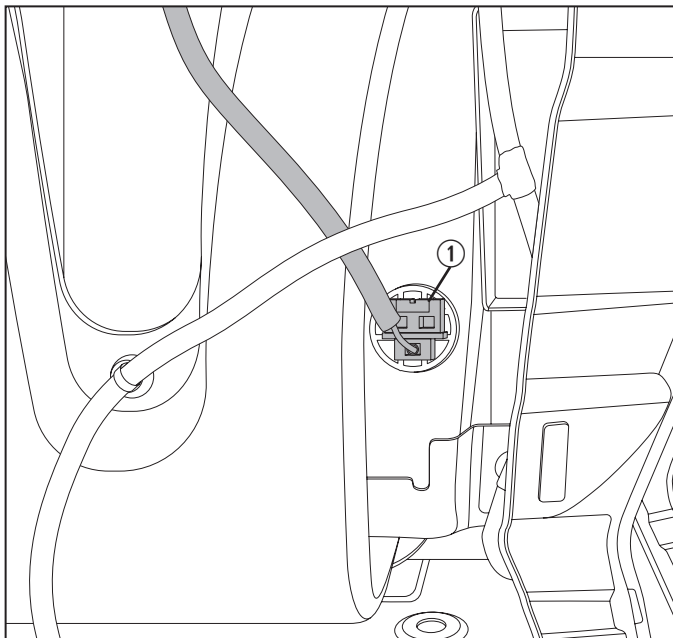


11 Drilling the Rear Power Connector Opening

- ① Equal Width
- ② Hole Location for the 12 V Rear Power Connector
- ③ 2 in. (50 mm)
- ④ Black Bracket

1. On the rear passenger side of the console, identify the hole location for the 12 V rear power connector using one of the following methods:
 - Insert the provided template downwards behind the black bracket until it stops.
 - Measure 2 in. (50 mm) above the black bracket and center the hole horizontally.
2. Using a marker, trace the center of the drill hole location.

3. Use the 1 1/8 in. (29 mm) hole saw drill bit to drill an opening for the 12 V rear power connector.
4. Vacuum any debris from the console and console bin area.
5. Place the refrigerator near the center console opening.
6. Insert the end of the refrigerator's 12 VDC power cord plug into the 1 1/8 in. (29 mm) hole until it snaps into place.



12 Installing the 12 V Rear Power Connector

① 12 V Rear Power Connector

7. Push the gray 12 VDC rear power connector (that was disconnected from the console back panel in "Removing the Console Back Panel" on page 8) into the refrigerator's 12 VDC power cord plug.

7 Installation

⚠ WARNING: FIRE HAZARD. Failure to obey this warning could result in death or serious injury.

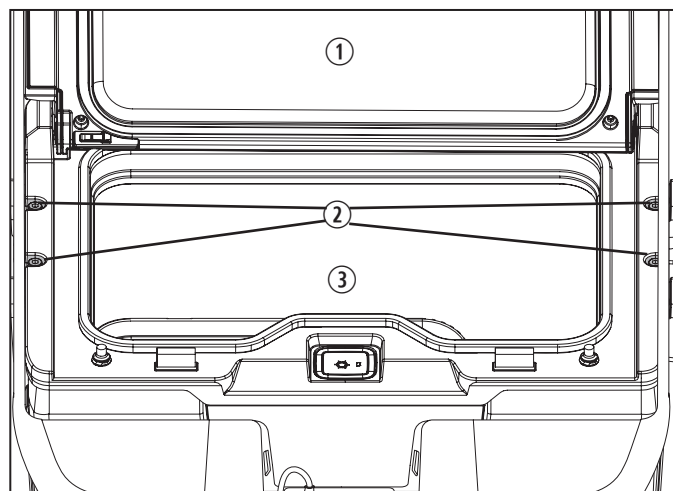
Keep ventilation openings, in the appliance enclosure or in the built-in structure, clear of obstruction.

NOTICE: Do **not** leave the refrigerator unit in an inverted position or run the compressor soon after having the refrigerator in an inverted position. Otherwise damage to the compressor could occur.

NOTICE: Avoid pinching, crushing, or breaking the wires or power cord. Otherwise damage to the refrigerator unit could occur.

This section describes how to install the refrigerator unit and to reinstall the console back panel and cupholders.

7.1 Installing the Refrigerator

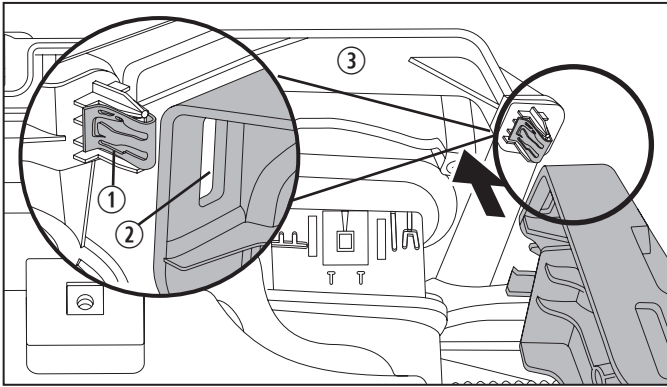


13 Installing the Refrigerator

- ① Refrigerator Lid
- ② Screws
- ③ Refrigerator Unit

1. Lower the refrigerator unit into the console.
2. Open the refrigerator lid.
3. Using a #2 Phillips screwdriver, hand tighten the provided screws to secure the refrigerator unit to the mounting brackets.

7.2 Reinstalling the Console Back Panel

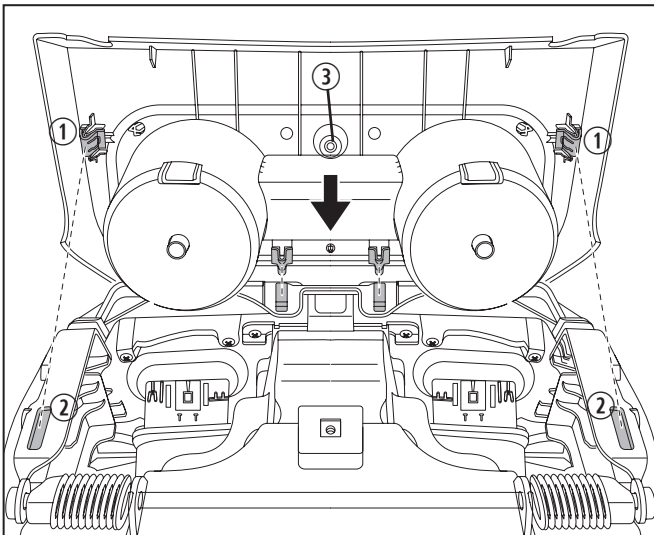


14 Reinstalling the Console Back Panel

- ① Retainer Clip
- ② Retainer Slot
- ③ Console Back Panel

1. Excluding the 12 VDC rear power connector that now powers the refrigerator, reconnect all the electrical connections to the console back panel.
2. Aligning the retainer clips with the retainer slots, push the console back panel into the console until it snaps into place.
3. Use a T15 Torx screwdriver to reinstall the screw at the top of the console back panel.

7.3 Reinstalling the Cupholders



15 Reinstalling the Cupholders

- ① Retainer Clips
- ② Retainer Slots
- ③ Screw Hole

1. Aligning the retainer clips with the retainer slots, press the cupholders down into the console until they snap in place.
2. Lift up the rubber trim at the front of the cupholders to access the screw hole.
3. Use a T15 Torx screwdriver to reinstall the screw.

8 Operation

⚠ WARNING: FIRE AND/OR EXPLOSION HAZARD. Failure to obey the following warnings could result in death or serious injury:

- This refrigerator **must** be properly installed and located in accordance with these instructions before it is used.
- Do **not** store gasoline or other liquids with flammable vapors in this refrigerator.
- Do **not** store explosive substances, such as aerosol cans with a flammable propellant, in this refrigerator.
- Do **not** use electrical appliances inside the food storage compartments of the refrigerator.

NOTICE: Avoid spilling liquid into the closeout tray's fan vents. Doing so could cause damage to the refrigerator's fan or electrical wiring.

This section provides instructions on the proper use of the refrigerator.

8.1 Turning the Refrigerator ON

Press and hold the ON/OFF button for one second, and then release. The button's blue LED indicator will illuminate when the refrigerator is ON.

The refrigerator will remain ON until it is manually turned OFF. If the refrigerator is ON and the vehicle engine is turned OFF:

- The refrigerator will continue to draw power from the battery until the voltage drops below 12.3V. If this threshold is reached, the refrigerator will cycle OFF until the engine restarts.
- The refrigerator will return to an ON status when the engine restarts.

8.2 Turning the Refrigerator OFF

Press and hold the ON/OFF button for one second, and then release. The button's blue LED indicator will not illuminate when the refrigerator is OFF.


The refrigerator will remain OFF until it is manually turned ON. If the refrigerator is OFF and the vehicle engine is turned OFF, the refrigerator unit will maintain the OFF status.


8.3 Adjusting the Refrigerator

The cooling temperature is automatically maintained and is not adjustable.

8.4 Opening and Closing the Refrigerator

Open and close the refrigerator by lifting the console lid and then lifting the refrigerator lid.

 Be sure the console lid does not interfere with the refrigerator's lid when opening or closing.

 The refrigerator lid is designed to remain closed unless held open manually. When the refrigerator lid is open, an LED illuminates the interior.

8.5 Storing Refrigerated Goods

For optimal use of the refrigerator, observe the following instructions:

- Avoid placing materials 75 °F (24 °C) or warmer in the refrigerator. For optimal use, allow materials to cool to 50 °F (10 °C) or cooler before placing them inside the refrigerator.
- Never put hot liquids or food in the interior.
- Never put ice or uncontained liquids in the interior.
- The total amount of goods placed into the interior should not exceed its storage volume.
- To maintain constant temperature, minimize the amount of time the lid stays open.

9 Maintenance



WARNING: ELECTRICAL SHOCK, FIRE, AND/OR EXPLOSION HAZARD. Failure to obey the following warnings could result in death or serious injury:

- Always turn the refrigerator OFF before cleaning or servicing.
- Maintenance and repair must be done by a qualified service person only.
- Do not use mechanical devices to defrost the refrigerator.
- Do not puncture refrigerant tubing.
- To be repaired only by trained service personnel.

The maintenance and cleaning instructions provided in this section should be performed at the intervals indicated, or as needed, depending on the use of the appliance. Failure to properly maintain the appliance may void the warranty and could result in unsafe operation. Preventive maintenance is not covered under the warranty.

9.1 Cleaning the Refrigerator

NOTICE: Do **not** use abrasive cleaning materials or harsh chemicals, or damage to the refrigerator could occur.

If the refrigerator becomes dirty, wipe clean with a damp, soft sponge or microfiber cloth.

If condensation or liquid accumulates in the interior, remove it with a soft sponge or microfiber cloth.

9.2 Maintaining the Refrigerator When Not in Use

For optimal care of the refrigerator when not in use, observe the following instructions:

- Clean and dry the interior of the refrigerator to avoid lingering odor.
- Avoid storing refrigerated goods in the refrigerator when it is not turned ON.
- Avoid storing any sharp items or items not intended for refrigeration in the refrigerator.

10 Troubleshooting

Problem	Possible Cause	Recommended Solution
The refrigerated goods are not cold.	The refrigerator is not turned ON.	<ul style="list-style-type: none"> • Confirm the refrigerator is ON. • See “Turning the Refrigerator ON” on page 12.
	The refrigerator is not receiving power.	<ul style="list-style-type: none"> • Locate and inspect the vehicle fuse. If the fuse is blown, replace it. • Locate and inspect the refrigerator fuse. If the fuse is blown, replace it.
	The fan is not operating.	
There is condensation around the refrigerator unit lid.	The refrigerator lid is not closing properly.	<ul style="list-style-type: none"> • Remove any obstructions from around the refrigerator lid and console lid to allow both lids to close completely.
	The lid gasket is damaged.	<ul style="list-style-type: none"> • Inspect and replace the lid if the gasket is damaged.
	There is an electronic control unit (ECU) malfunction.	<ul style="list-style-type: none"> • Contact a qualified service technician.
The fan is noisy.	There is an obstruction.	<ol style="list-style-type: none"> 1. Confirm the refrigerator is OFF. 2. Remove the refrigerator, inspect the fan, and remove all obstructions. 3. If the problem is not resolved, contact a qualified service technician.
There is an odor coming from the refrigerator interior.	Residue has built up inside the refrigerator.	Clean the interior of the refrigerator. See “Cleaning the Refrigerator” on page 13.

11 Disposal



Place the packaging material in the appropriate recycling waste bins, whenever possible. Consult a local recycling center or specialist dealer for details about how to dispose of the product in accordance with all applicable national and local regulations.

IF YOU HAVE QUESTIONS, OR TO OBTAIN A COPY OF THE LIMITED WARRANTY FREE OF CHARGE, CONTACT:

DOMETIC CORPORATION
 CUSTOMER SUPPORT CENTER
 5155 VERDANT DRIVE
 ELKHART, INDIANA, USA 46516
 1-800-544-4881

12 Warranty Information

Refer to the sections below for information about warranty and warranty support in the US, Canada, and all other regions.

12.1 United States and Canada

LIMITED WARRANTY AVAILABLE AT DOMETIC.COM/EN-US/TERMS-AND-CONDITIONS-CONSUMER/WARRANTY.

12.2 All Other Regions

The statutory warranty period applies. If the product is defective, please contact the manufacturer’s branch in your region or your retailer (see the back of this instruction manual for the web addresses to locate your region or retailer).

For repair and guarantee processing, please include the following documents when you send in the device:

- A copy of the receipt with purchasing date
- A reason for the claim or description of the fault

Liste des centres de service et des revendeurs

Consultez : www.dometic.com

Veillez lire attentivement ces instructions et suivre tous les avertissements, instructions et directives inclus dans ce manuel du produit afin de vous assurer que vous installez, utilisez et entretenez le produit correctement à tout moment. Les présentes consignes DOIVENT être conservées avec ce produit.

En utilisant le produit, vous confirmez par la présente que vous avez lu attentivement tous les avertissements, consignes et directives et que vous comprenez et acceptez de respecter les conditions générales énoncées dans le présent document. Vous acceptez d'utiliser ce produit uniquement pour l'usage et l'application prévus et conformément aux instructions, directives et avertissements figurant dans ce manuel du produit ainsi qu'en accord avec toutes les lois et réglementations applicables. Le fait de ne pas lire et de ne pas suivre les instructions et les avertissements énoncés dans le présent document peut entraîner des blessures pour vous-même et pour d'autres personnes, des dommages à votre produit ou des dommages à d'autres biens situés à proximité. Ce manuel du produit, y compris les instructions, les directives et les avertissements, ainsi que la documentation connexe, peut faire l'objet de modifications et de mises à jour. Pour obtenir des informations à jour sur les produits, veuillez consulter www.dometic.com.

Sommaire

1	Explication des symboles et consignes de sécurité	17
1.1	Reconnaître les consignes de sécurité	17
1.2	Comprendre les mots-indicateurs	17
1.3	Directives supplémentaires	17
1.4	Messages de sécurité d'ordre général	17
2	Utilisation prévue	18
3	Renseignements généraux	18
3.1	Outils et matériel	18
3.2	Plaque signalétique	19
3.3	Emplacements des composants	19
3.4	Dimensions extérieures	20
4	Caractéristiques techniques	20
5	Schéma de câblage	21
6	Avant l'installation	21
6.1	Évaluation de l'emplacement d'installation	22
6.2	Retrait des porte-gobelet	22
6.3	Retrait du panneau arrière de la console	22
6.4	Essai du réfrigérateur	23
6.5	Remplacement des supports latéraux	23
6.6	Préparation de l'emplacement du ventilateur avant	24
6.7	Préparation de l'emplacement du connecteur d'alimentation arrière	24
7	Installation	25
7.1	Installation du ventilateur avant	25
7.2	Connexion de l'alimentation électrique au ventilateur	26
7.3	Fixation du réfrigérateur	26
7.4	Réinstallation du panneau arrière de la console	26
7.5	Réinstallation des porte-gobelet	27
8	Fonctionnement	27
8.1	Mise en marche du réfrigérateur	27
8.2	Arrêt du réfrigérateur	27
8.3	Ajustement de la température du réfrigérateur	28
8.4	Ouverture et fermeture du réfrigérateur	28
8.5	Rangement des produits réfrigérés	28
9	Entretien	28
9.1	Nettoyage du réfrigérateur	28
9.2	Entretien du réfrigérateur lorsqu'il n'est pas utilisé	28
10	Dépannage	29
11	Élimination	29
12	Renseignements concernant la garantie	29
12.1	États-Unis et Canada	29
12.2	Toutes les autres régions	30

1 Explication des symboles et consignes de sécurité

Ce manuel contient des renseignements et des consignes de sécurité pour vous aider à éliminer ou réduire le risque d'accidents et de blessures.

1.1 Reconnaître les consignes de sécurité

C'est le symbole d'alerte à la sécurité.

Il signale des risques de blessures. Respectez tous les messages de sécurité qui suivent ce symbole pour éviter les risques de blessures ou de mort.

1.2 Comprendre les mots-indicateurs

Un mot-indicateur identifie les messages de sécurité et les messages liés aux dégâts matériels, et signale aussi le degré ou niveau de gravité du danger.

DANGER!

Indique une situation dangereuse qui, si elle n'est **pas** évitée, causera la mort ou des blessures graves.

AVERTISSEMENT

Indique une situation dangereuse qui, si elle n'est **pas** évitée, peut causer la mort ou des blessures graves.

ATTENTION

Indique une situation dangereuse qui, si elle n'est **pas** évitée, peut causer des blessures légères ou modérées.

AVIS : Utilisé pour signaler des pratiques **non** liées à une blessure physique.

 Fournit des renseignements supplémentaires qui ne concernent pas les risques de blessures.

1.3 Directives supplémentaires

Pour réduire le risque d'accidents et de blessures, veuillez respecter les directives suivantes avant de continuer à installer ou utiliser cet appareil :

- Lisez et suivez tous les renseignements et toutes les consignes de sécurité.
- Lisez et comprenez les présentes directives avant d'installer ou d'utiliser ce produit.
- L'installation doit être conforme à tous les codes locaux et nationaux applicables.

1.4 Messages de sécurité d'ordre général

AVERTISSEMENT : RISQUE DE DÉCHARGE ÉLECTRIQUE, DE DÉPART DE FEU ET/OU D'EXPLOSION. Le non-respect de ces avertissements pourrait entraîner de graves blessures, voire la mort :

- Utilisez uniquement des pièces et des composants de rechange Dometic spécifiquement approuvés pour une utilisation avec l'appareil.
- Évitez l'installation, le réglage, les altérations, les réparations ou l'entretien inappropriés de l'appareil. Les réparations et la maintenance **doivent** être confiées à un agent technique qualifié.
- Ne modifiez **pas** ce produit d'une quelconque manière. Une modification peut être extrêmement dangereuse.
- Ne plongez **pas** ce produit dans l'eau.
- N'utilisez **pas** ce produit à des fins autres que celles d'un dispositif de refroidissement mobile.
- Faites attention lors du diagnostic ou de l'ajustement des composants d'un appareil sous tension.
- Coupez le moteur du véhicule durant l'installation.
- Éliminez correctement conformément aux règlements locaux ou fédéraux en vigueur.
- Ne percez **pas** et ne perforez **pas** l'assemblage du réfrigérateur ou la tubulure du fluide frigorigène. Suivez les directives de manipulation attentivement.

⚠ AVERTISSEMENT : MONOXYDE DE CARBONE ET/OU SÉCURITÉ DES VÉHICULES. Le non-respect de ces avertissements pourrait entraîner de graves blessures, voire la mort :

- Stationnez le véhicule dans un endroit bien ventilé pendant le processus d'installation.
- Assurez-vous que le véhicule est en position de stationnement avec le frein de secours enclenché à tout moment pendant le processus d'installation.
- Respectez toutes les procédures de sécurité du constructeur automobile.

⚠ ATTENTION

Évitez de toucher le compresseur ou les pales avant du ventilateur pendant l'installation. Le non-respect de cette mise en garde pourrait entraîner des blessures légères ou modérées.

AVIS : Le non-respect des avertissements suivants pourrait mener à des dommages matériels :

- N'utilisez **pas** une barre d'alimentation ou un séparateur bidirectionnel.
- N'utilisez **pas** des adaptateurs de cordon d'alimentation autres que ceux fournis par le fabricant.
- Ne remplissez **pas** ce produit avec des glaçons ou de l'eau. Si du gel ou de la condensation s'accumulent à l'intérieur de cet appareil, essuyez-les avec une éponge douce ou un chiffon en microfibre.

2 Utilisation prévue

Le réfrigérateur pour console centrale (ou « réfrigérateur ») permet aux passagers du véhicule d'accéder facilement aux articles réfrigérés dans le confort de l'habitacle du véhicule. Le réfrigérateur est conçu pour s'adapter à l'encombrement existant dans la console et pour fournir un environnement de refroidissement automatiquement contrôlé pour des articles emballés. Ce réfrigérateur est uniquement adapté à l'usage et à l'application prévus conformément aux présentes directives.

Ce manuel fournit les renseignements nécessaires à une installation et un fonctionnement appropriés du réfrigérateur. Une mauvaise installation ou un mauvais fonctionnement ou entretien entraîneront une performance insatisfaisante et possiblement, une panne. Le fabricant décline toute responsabilité en cas de blessure ou de dommage au produit résultant :

- d'un assemblage ou d'une connexion inappropriés, y compris la surtension
- d'un mauvais entretien ou d'une utilisation inappropriée de pièces de rechange autres que les pièces de rechange d'origine fournies par le fabricant
- d'une altération du produit sans la permission expresse du fabricant
- une utilisation à d'autres fins que celles décrites dans ce manuel

Dometic se réserve le droit de modifier l'apparence et les spécifications des produits.

3 Renseignements généraux

Cette section fournit des renseignements sur les pièces incluses, les outils et les matériaux d'installation, l'emplacement des composants et le réfrigérateur.

i Les images utilisées dans ce document sont uniquement fournies à titre de référence. Les composants et leur emplacement peuvent varier selon le modèle. Les mesures peuvent varier de $\pm 0,38$ po (10 mm).

3.1 Outils et matériel

Dometic recommande l'utilisation des outils et du matériel suivants pour l'installation de l'appareil.

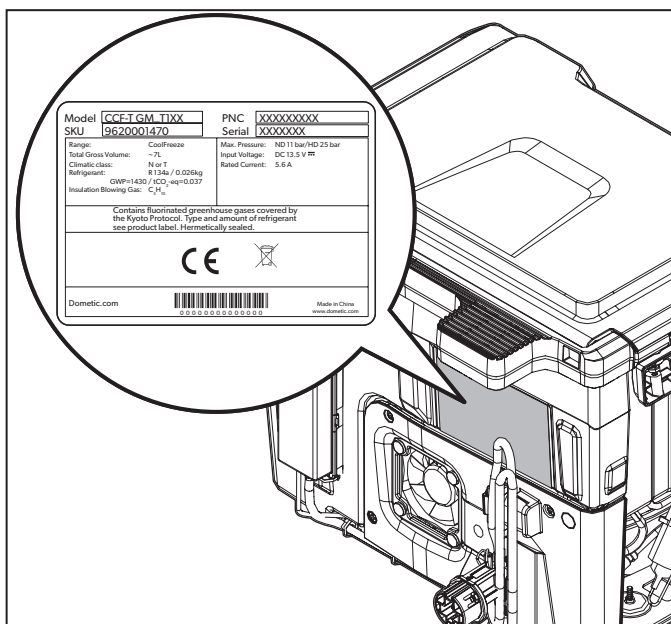
Pièces fournies	Quantité
Réfrigérateur	1
Tapis en caoutchouc	2
Ventilateur avant – modèle	1
Support de fixation	2
Attache de support	4

Outils recommandés

Perceuse	Tournevis cruciforme
Mèche de 3,5 po (89 mm) pour scie cylindrique	Ruban adhésif détachable
Mèche de 1 1/8 po (28 mm) pour scie cylindrique	Tournevis Torx T15, T20
Marqueur	Aspirateur ou aspirateur d'atelier
Multimètre	

3.2 Plaque signalétique

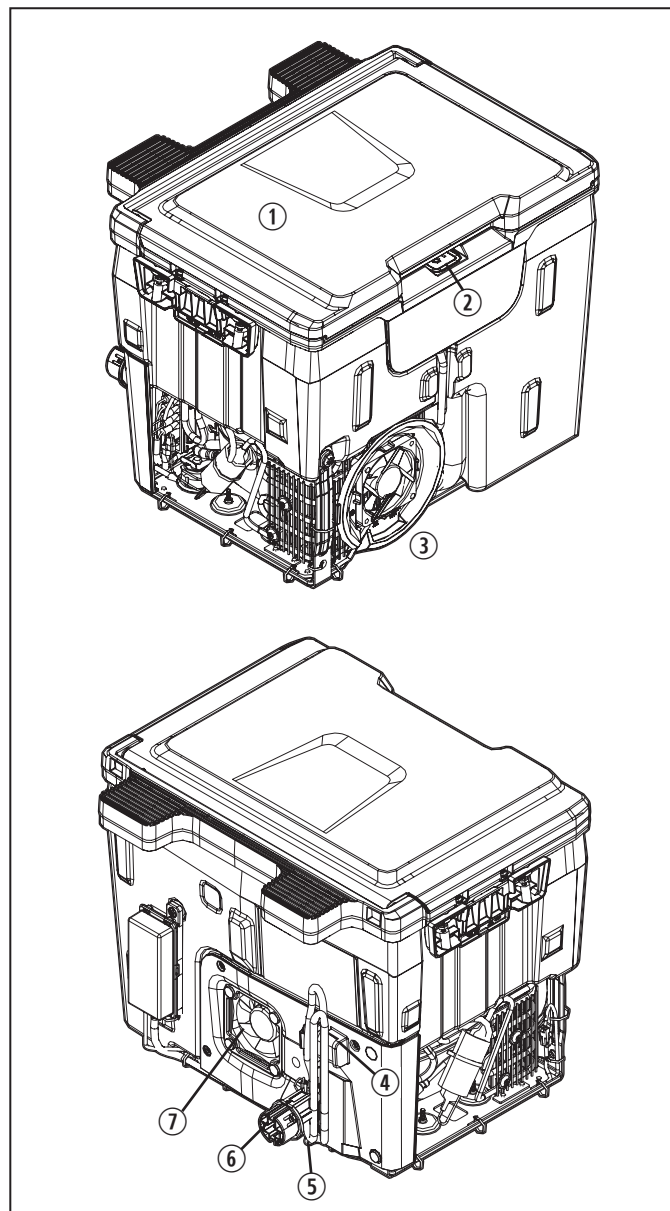
Cette section indique l'emplacement de la plaque signalétique du réfrigérateur. Ayez cette information à la portée de la main si vous devez appeler le centre d'assistance à la clientèle de Dometic.



1 Emplacement de la plaque signalétique

3.3 Emplacements des composants

Cette section identifie les principaux composants de l'appareil.

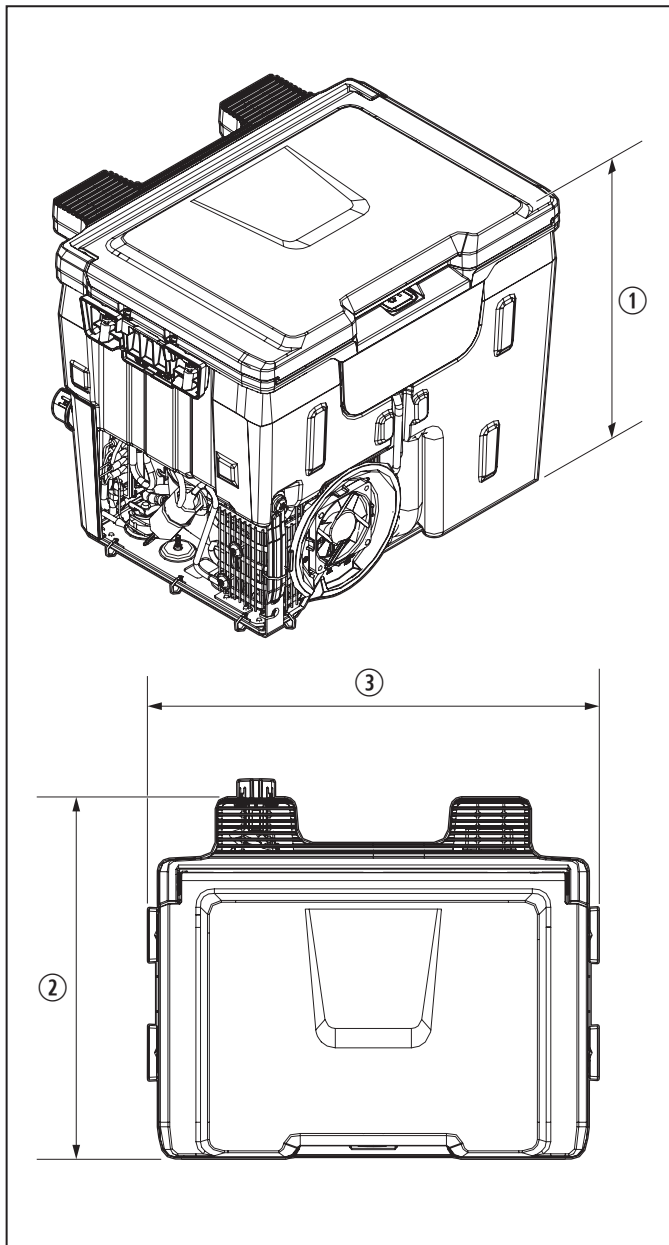


2 Emplacement des composants du réfrigérateur

- ① Réfrigérateur
- ② Bouton MARCHÉ/ARRÊT avec DEL
- ③ Ventilateur avant
- ④ Fusible de 10 A
- ⑤ Cordon d'alimentation pour courant continu
- ⑥ Prise d'alimentation pour courant continu
- ⑦ Ventilateur du condensateur

3.4 Dimensions extérieures

Cette section identifie les dimensions extérieures du réfrigérateur.



3 Dimensions extérieures du réfrigérateur

- ① Hauteur : 11,0 po (279 mm)
- ② Profondeur : 11,5 po (292 mm)
- ③ Largeur : 13,5 po (343 mm)

4 Caractéristiques techniques

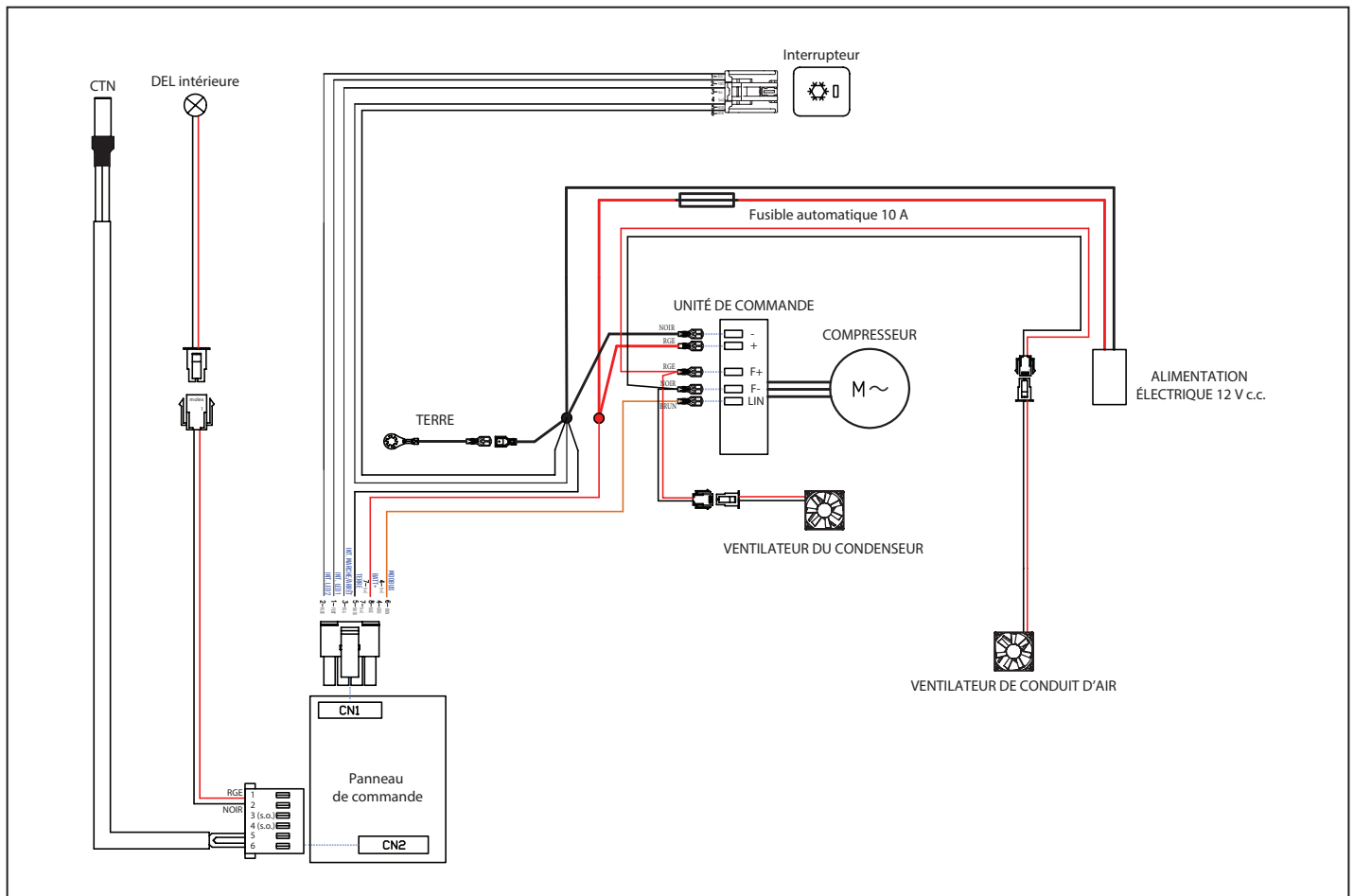
Poids	12,5 lb (5,7 kg)
Tension d'entrée	12,0 à 16,0 V c.c.
Protection contre la sous-tension	12,3 V c.c.
Consommation d'énergie au démarrage	5,6 A
Consommation d'énergie durant le fonctionnement à une température ambiante de 90 °F (32 °C)	4,2 A
Volume intérieur	7 l
Capacité de rangement de boissons	<ul style="list-style-type: none"> • Six bouteilles de 16,9 oz (500 ml) • Neuf canettes de 12 oz (355 ml)
Fluide frigorigène et charge	1 oz (26 g) de R134a
Point de réglage de la température	37 °F (3 °C)
Modèles de véhicules¹	<ul style="list-style-type: none"> • Chevrolet Silverado 1500 (2019–2021) • Chevrolet Silverado HD 2500/3500 (2020 et versions ultérieures) • GMC Sierra 1500 (2019–2021) • GMC Sierra HD 2500/3500 (2020 et versions ultérieures)

¹ Disponible uniquement pour les modèles avec une configuration de console au sol.

5 Schéma de câblage

⚠ AVERTISSEMENT : RISQUE DE DÉCHARGE ÉLECTRIQUE.

Coupez le courant avant d'effectuer toute installation électrique ou tout entretien. Le non-respect de cet avertissement pourrait entraîner de graves blessures, voire la mort.



4 Schéma de câblage du réfrigérateur

6 Avant l'installation

⚠ AVERTISSEMENT : MONOXYDE DE CARBONE ET/OU SÉCURITÉ DES VÉHICULES. Le non-respect de ces avertissements pourrait entraîner de graves blessures, voire la mort :

- Stationnez le véhicule dans un endroit bien ventilé pendant le processus d'installation.
- Coupez le moteur du véhicule.

- Assurez-vous que le véhicule est en position de stationnement avec le frein de secours enclenché à tout moment pendant le processus d'installation.

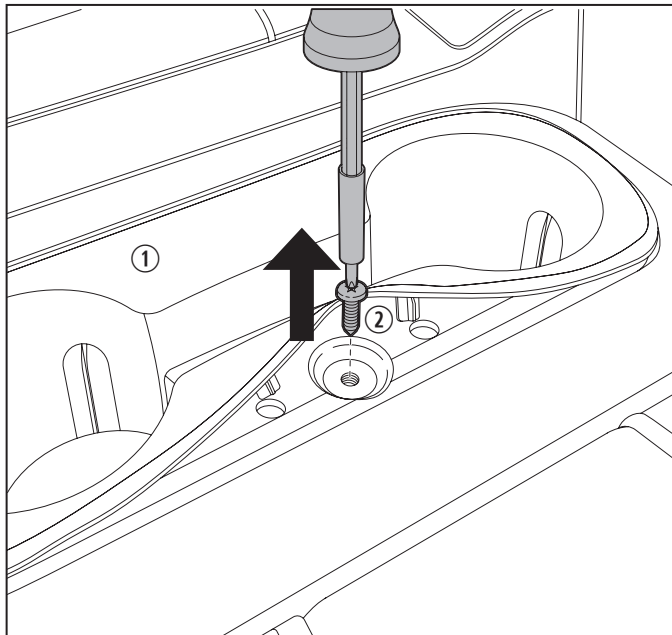
AVIS : Évitez de pincer, d'écraser ou de casser les fils ou le cordon d'alimentation. Sinon, le réfrigérateur risque d'être endommagé.

Cette section décrit les préparatifs d'évaluation et d'emplacement pour installer le réfrigérateur.

6.1 Évaluation de l'emplacement d'installation

1. Confirmez que le réfrigérateur peut être installé dans le modèle, l'année du modèle et le niveau de finition de votre véhicule. Consultez la section « Caractéristiques techniques » à la page 20 pour de plus amples renseignements. Seuls les ensembles de finition avec une console centrale au sol intégrée sont compatibles.
2. Vérifiez que vous disposez des pièces et des outils appropriés pour effectuer l'installation du réfrigérateur. Consultez la section « Outils et matériel » à la page 18 pour de plus amples renseignements.

6.2 Retrait des porte-gobelet

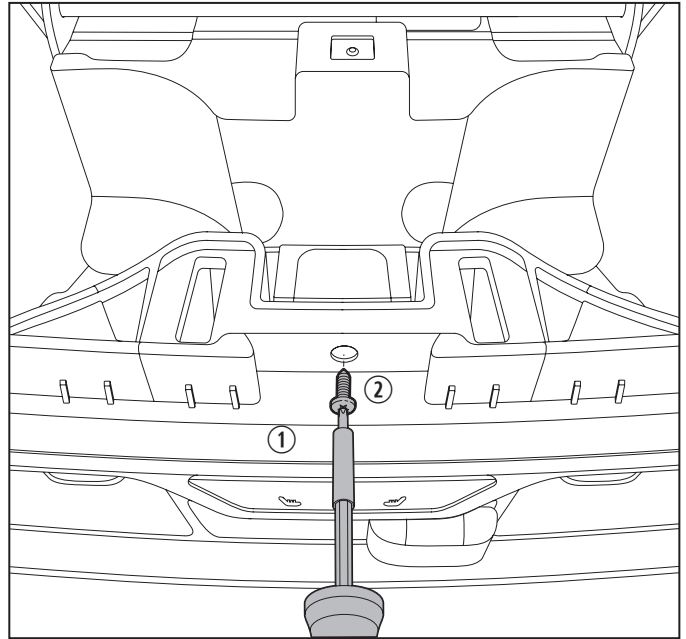


5 Retrait des porte-gobelet

① Porte-gobelet ② Vis

1. Soulevez la garniture en caoutchouc située à l'avant des porte-gobelet pour accéder à la vis.
2. Utilisez un tournevis Torx T15 pour desserrer et retirer la vis.
3. Tirez fermement le porte-gobelet vers le haut pour dégager les pinces de retenue cachées, et retirez les porte-gobelet de la console.

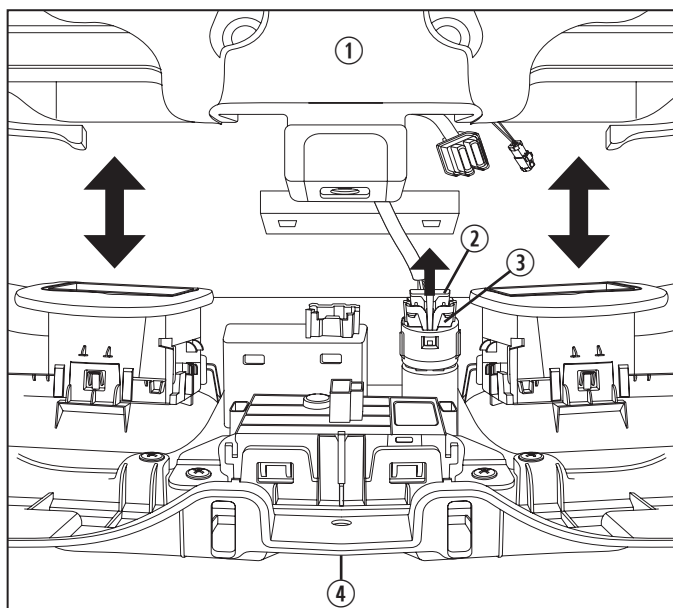
6.3 Retrait du panneau arrière de la console



6 Retrait du panneau arrière de la console

① Panneau arrière de la console ② Vis

1. Utilisez un tournevis Torx T15 pour retirer la vis située dans le haut du panneau arrière.
2. Tirez fermement le panneau arrière de la console hors de la console pour dégager les pinces de retenue cachées, en prenant soin de ne pas déplacer les connexions électriques internes.



7 Retrait des connexions électriques

- ① Console centrale
- ② Onglet rouge du connecteur d'alimentation arrière de 12 V
- ③ Connecteur d'alimentation arrière de 12 V
- ④ Panneau arrière de la console

3. Retirez l'onglet rouge du connecteur d'alimentation arrière de 12 V.
4. Débranchez le connecteur d'alimentation arrière de 12 V du panneau arrière de la console.
5. Débranchez toutes les autres connexions électriques du panneau arrière de la console, et mettez le panneau arrière de la console de côté.

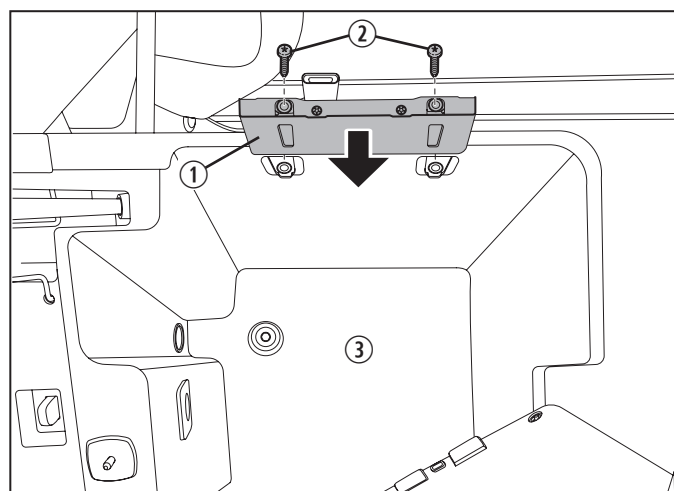
6.4 Essai du réfrigérateur

i Le couvercle de la console doit rester ouvert pendant les procédures avant l'installation et durant l'installation.

1. Placez le réfrigérateur debout sur le sol, près de l'arrière de la console (zone de la deuxième rangée).
2. Insérez le connecteur d'alimentation arrière de 12 V dans la prise du cordon d'alimentation de 12 V c.c. du réfrigérateur.
3. Démarrez le véhicule.
4. Confirmez que la DEL bleue est allumée sur le bouton marche/arrêt du réfrigérateur. Si ce n'est pas le cas, enfoncez le bouton pendant une seconde, puis relâchez-le.

5. Écoutez pour entendre le démarrage du ventilateur du condenseur. Consultez la section « Dépannage » à la page 28 si le ventilateur du condenseur ne démarre pas.
6. Coupez le moteur du véhicule.
7. Enfoncez le bouton marche/arrêt du réfrigérateur pour l'éteindre.
8. Débranchez le cordon d'alimentation de 12 V c.c.
9. Placez le réfrigérateur loin de la console.

6.5 Remplacement des supports latéraux



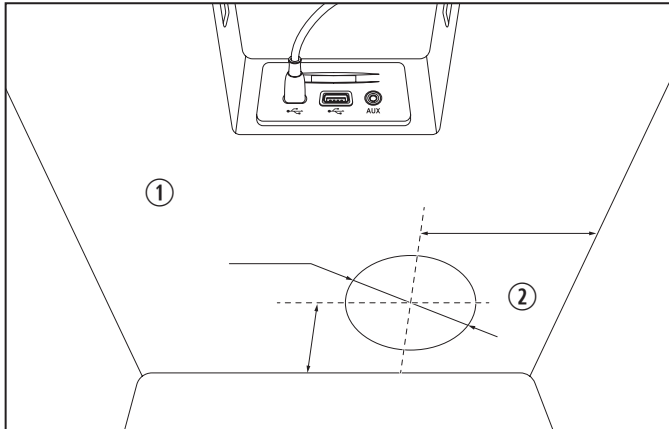
8 Remplacement des supports latéraux

- ① Support latéral
- ② Vis
- ③ Bac de la console

1. Ouvrez le bac de la console pour repérer les supports latéraux.
2. Utilisez un tournevis Torx T20 pour desserrer et retirer les vis de chaque support latéral.
 - i** Gardez les vis.
3. Retirez les supports latéraux existants.
 - i** Gardez les supports latéraux.
4. Insérez les supports de montage fournis.
5. Inversez ces étapes pour installer les nouveaux supports de montage.

6.6 Préparation de l'emplacement du ventilateur avant

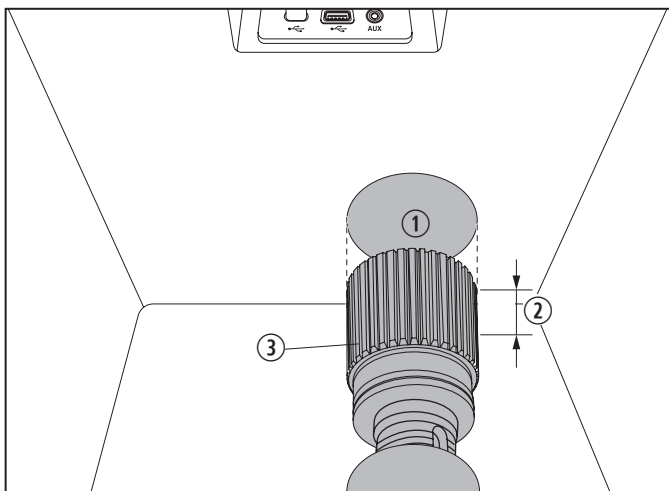
AVIS : Si votre véhicule est équipé d'un système audio Bose®, ne dépassez **pas** une profondeur de perçage de 3/8 po (10 mm) ou vous risquez d'endommager la paroi du boîtier de l'enceinte.



9 Utilisation du gabarit du ventilateur avant

- ① Paroi avant du bac de la console
- ② Gabarit du ventilateur avant

1. Collez le gabarit du ventilateur avant à l'intérieur, sur la paroi avant du bac de la console.
2. À l'aide d'un marqueur, tracez l'ouverture du point central du gabarit sur la paroi du bac de la console.



10 Perçage de l'ouverture du ventilateur avant

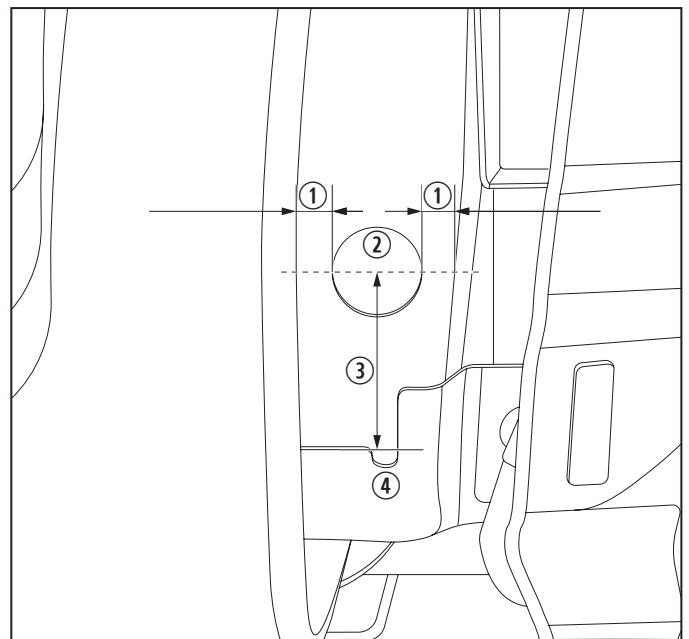
- ① Trou de 3,5 po (89 mm)
- ② 3/8 in (10 mm): profundidad máxima de perforación
- ③ Mèche de 3,5 po (89 mm) pour scie cylindrique

3. Retirez le gabarit du ventilateur avant.
4. Utilisez la mèche de 3,5 po (89 mm) pour percer une ouverture pour le ventilateur avant.

i Selon la taille et le type de la mèche, une perceuse à angle droit pourrait être requise pour percer le trou sans endommager l'enceinte.

5. Utilisez un aspirateur pour éliminer les débris de la console et de la zone du bac de la console.

6.7 Préparation de l'emplacement du connecteur d'alimentation arrière



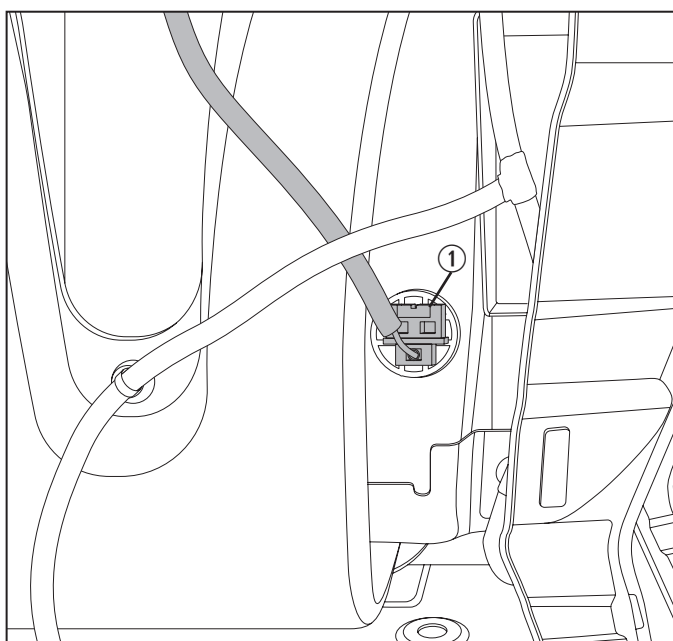
11 Perçage de l'ouverture du connecteur d'alimentation arrière

- ① Largeur équivalente
- ② Emplacement du trou pour le connecteur d'alimentation arrière de 12 V
- ③ 2 po (50 mm)
- ④ Support noir

1. Du côté passager arrière de la console, identifiez l'emplacement du trou pour le connecteur d'alimentation arrière de 12 V en utilisant une des méthodes suivantes:

- Insérez le gabarit fourni vers le bas derrière le support noir jusqu'à ce qu'il s'arrête.
- Mesurez une distance de 50 mm (2 po) au-dessus du support noir et centrez le trou à l'horizontale.

2. Au moyen d'un marqueur, tracez le centre de l'emplacement du trou à percer.
3. Utilisez la mèche de 1 1/8 po (29 mm) pour scie cylindrique pour percer une ouverture pour le connecteur d'alimentation arrière de 12 V.
4. Utilisez un aspirateur pour éliminer les débris de la console et de la zone du bac de la console.
5. Placez le réfrigérateur près de l'ouverture de la console centrale.
6. Insérez l'extrémité de la fiche du cordon d'alimentation de 12 V c.c. du réfrigérateur dans le trou de 1 1/8 po (29 mm) jusqu'à ce qu'elle s'enclenche en place.



12 Installation du connecteur d'alimentation arrière de 12 V

① Connecteur d'alimentation arrière de 12 V

7. Poussez le connecteur d'alimentation arrière gris de 12 V c.c (qui a été débranché du panneau arrière de la console à l'étape « Retrait du panneau arrière de la console » à la page 22) dans la prise du cordon d'alimentation de 12 V c.c. du réfrigérateur.

7 Installation

⚠ AVERTISSEMENT : RISQUE D'INCENDIE. Le non-respect de cet avertissement pourrait entraîner de graves blessures, voire la mort.
Gardez les ouvertures de ventilation, dans le boîtier

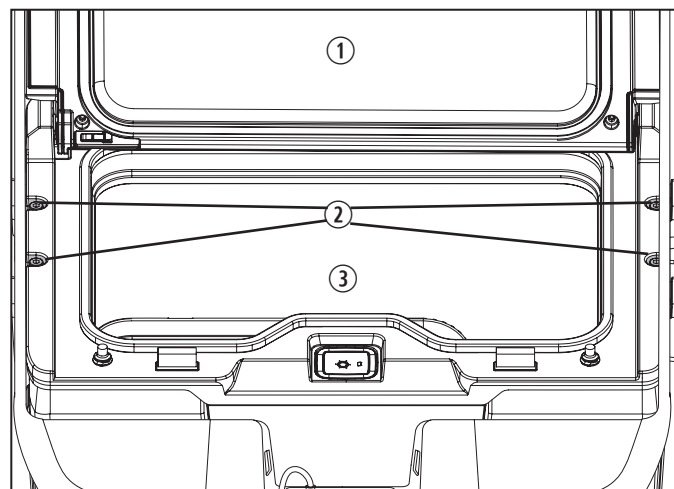
de l'appareil ou dans la structure intégrée, libres de toute obstruction.

AVIS : Ne laissez **pas** le réfrigérateur en position inversée et ne faites pas fonctionner le compresseur peu après avoir mis le réfrigérateur dans une position inversée. Le compresseur risque alors d'être endommagé.

AVIS : Évitez de pincer, d'écraser ou de casser les fils ou le cordon d'alimentation. Le réfrigérateur risque alors d'être endommagé.

La présente section décrit la façon d'installer et de câbler le ventilateur et le réfrigérateur et comment réinstaller le panneau arrière de la console et les porte-gobelet.

7.1 Fixation du réfrigérateur

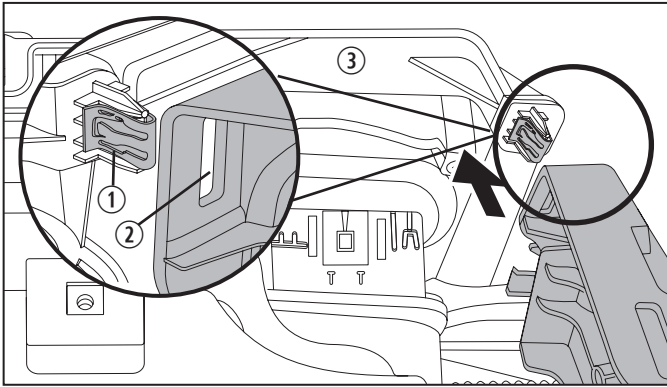


13 Fixation du réfrigérateur

① Couvercle du réfrigérateur ③ Réfrigérateur
② Vis

1. Abaissez le réfrigérateur dans la console.
2. Ouvrez le couvercle du réfrigérateur.
3. Au moyen d'un tournevis cruciforme no 2, serrez manuellement les vis fournies pour fixer le réfrigérateur aux supports de montage.

7.2 Réinstallation du panneau arrière de la console

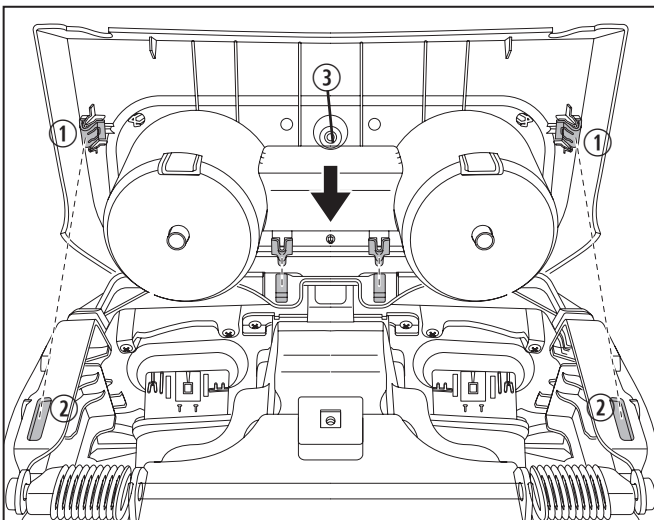


14 Réinstallation du panneau arrière de la console

- ① Pince de retenue ③ Panneau arrière de la console
 ② Fente de retenue

- À l'exclusion du connecteur d'alimentation arrière de 12 V c.c. qui alimente maintenant le réfrigérateur, rétablissez toutes les connexions électriques au panneau arrière de la console.
- Alignez les pinces de retenue avec les fentes de retenue, poussez le panneau arrière de la console dans la console jusqu'à ce qu'il s'enclenche en place.
- Utilisez un tournevis Torx T15 pour réinstaller la vis située dans le haut du panneau arrière de la console.

7.3 Réinstallation des porte-gobelet



15 Réinstallation des porte-gobelet

- ① Pincettes de retenue ③ Trou de vis
 ② Fentes de retenue

- Alignez les pinces de retenue avec les fentes de retenue et enfoncez les porte-gobelet dans la console jusqu'à ce qu'ils s'enclenchent en place.
- Soulevez la garniture en caoutchouc située à l'avant des porte-gobelet pour accéder au trou de vis.
- Utilisez un tournevis Torx T15 pour réinstaller la vis.

8 Fonctionnement

⚠ AVERTISSEMENT : RISQUE D'INCENDIE OU D'EXPLOSION. Le non-respect de ces avertissements pourrait entraîner de graves blessures, voire la mort :

- Ce réfrigérateur **doit** être correctement installé et situé conformément aux présentes directives avant d'être utilisé.
- Ne rangez **pas** de l'essence ou d'autres liquides avec des vapeurs inflammables dans ce réfrigérateur.
- Ne rangez **pas** des substances explosives, comme des bombes aérosols contenant un propulseur inflammable, dans ce réfrigérateur.
- N'utilisez **pas** d'appareils électriques à l'intérieur des compartiments de rangement des aliments du réfrigérateur.

AVIS : Évitez de renverser du liquide dans les orifices de ventilation du plateau de fermeture. Cela pourrait causer des dommages au ventilateur ou au câblage électrique du réfrigérateur.

Cette section fournit des directives sur l'utilisation appropriée du réfrigérateur.

8.1 Mise en marche du réfrigérateur

Enfoncez le bouton marche/arrêt pendant une seconde, puis relâchez-le. L'indicateur à DEL bleue du bouton s'allume lorsque le réfrigérateur est en marche.

Le réfrigérateur restera en marche jusqu'à ce qu'il soit éteint manuellement. Si le réfrigérateur est en marche et que le moteur du véhicule est coupé :

- Le réfrigérateur continuera à tirer de l'énergie de la batterie jusqu'à ce que la tension descende en dessous de 12,3 V. Si ce seuil est atteint, le réfrigérateur s'éteint jusqu'à ce que le moteur soit redémarré.
- Le réfrigérateur se remet en marche lorsque le moteur est redémarré.

8.2 Arrêt du réfrigérateur

Enfoncez le bouton marche/arrêt pendant une seconde, puis relâchez-le. L'indicateur à DEL bleue du bouton ne s'allume pas lorsque le réfrigérateur est éteint.



Le réfrigérateur restera éteint jusqu'à ce qu'il soit mis en marche manuellement. Si le réfrigérateur est éteint et que le moteur du véhicule est coupé, le réfrigérateur demeure éteint.

8.3 Ajustement de la température du réfrigérateur

La température de refroidissement est automatiquement maintenue et n'est pas réglable.

8.4 Ouverture et fermeture du réfrigérateur

Ouvrez et fermez le réfrigérateur en soulevant le couvercle de la console, puis en soulevant le couvercle du réfrigérateur.

-  Assurez-vous que le couvercle de la console ne nuit pas à l'ouverture et à la fermeture du couvercle du réfrigérateur.
-  Le couvercle du réfrigérateur est conçu pour rester fermé, sauf s'il est maintenu ouvert manuellement. Lorsque le couvercle du réfrigérateur est ouvert, un voyant à DEL illumine l'intérieur.

8.5 Rangement des produits réfrigérés

Pour optimiser l'utilisation du réfrigérateur, tenez compte des directives suivantes :

- Évitez de placer des articles dont la température est de 75 °F (24 °C) ou plus dans le réfrigérateur. Pour une efficacité optimale, laissez les aliments refroidir jusqu'à 50 °F (10 °C) ou moins avant de les placer à l'intérieur du réfrigérateur.
- Ne placez jamais de liquides ou d'aliments chauds à l'intérieur.
- Ne mettez jamais de la glace ou des liquides non contenus à l'intérieur.
- Le volume total d'aliments placés à l'intérieur ne doit pas dépasser son volume de stockage.
- Pour maintenir une température constante, il faut réduire au minimum la durée pendant laquelle le couvercle reste ouvert.

9 Entretien



AVERTISSEMENT : RISQUE DE DÉCHARGE ÉLECTRIQUE, D'INCENDIE OU D'EXPLOSION. Le non-respect de ces avertissements pourrait entraîner de graves blessures, voire la mort :

- Éteignez toujours le réfrigérateur avant de le nettoyer ou de le faire réparer.
- L'entretien et la réparation **doivent** être confiés à un technicien de service qualifié.
- N'utilisez **pas** de dispositifs mécaniques pour décongeler le réfrigérateur.
- Ne percez **pas** la tubulure du fluide frigorigène.

Les directives d'entretien et de nettoyage fournies dans cette section doivent être effectuées selon les intervalles indiqués, ou en fonction des besoins, selon l'utilisation de l'appareil. Le défaut d'entretenir correctement l'appareil pourrait causer l'annulation de la garantie et entraîner un fonctionnement dangereux. L'entretien préventif n'est pas couvert par la garantie.

9.1 Nettoyage du réfrigérateur

AVIS : N'utilisez **pas** de produits de nettoyage abrasifs ou de produits chimiques puissants, car ils pourraient endommager le réfrigérateur.

Si le réfrigérateur se salit, nettoyez-le avec une éponge douce et humide ou un chiffon en microfibre.

Si de la condensation ou du liquide s'accumulent à l'intérieur, éliminez-les avec une éponge douce ou un chiffon en microfibre.

9.2 Entretien du réfrigérateur lorsqu'il n'est pas utilisé

Pour bien entretenir le réfrigérateur lorsqu'il n'est pas utilisé, suivez les directives suivantes :

- Nettoyez et séchez l'intérieur du réfrigérateur pour éviter les odeurs persistantes.
- Évitez de ranger des produits réfrigérés dans le réfrigérateur lorsqu'il n'est pas en marche.
- Évitez de ranger des objets pointus ou non destinés à la réfrigération dans le réfrigérateur.

10 Dépannage

Problème	Cause possible	Solution recommandée
Les produits réfrigérés ne sont pas froids.	Le réfrigérateur n'est pas allumé.	<ul style="list-style-type: none"> • Vérifiez que le réfrigérateur est en marche. • Consultez la section « Mise en marche du réfrigérateur » à la page 26.
	Le réfrigérateur ne reçoit pas d'électricité.	<ul style="list-style-type: none"> • Trouvez et inspectez le fusible du véhicule. Si le fusible est grillé, remplacez-le. • Trouvez et inspectez le fusible du réfrigérateur. Si le fusible est grillé, remplacez-le.
	Le ventilateur ne fonctionne pas.	
Il y a de la condensation autour du couvercle de l'unité de réfrigération.	Le couvercle du réfrigérateur ne se ferme pas correctement.	<ul style="list-style-type: none"> • Enlevez toute obstruction autour du couvercle du réfrigérateur et du couvercle de la console pour permettre aux deux couvercles de se fermer complètement.
	Le joint du couvercle est endommagé.	<ul style="list-style-type: none"> • Inspectez et remplacez le couvercle si le joint d'étanchéité est endommagé.
	Il y a un dysfonctionnement de l'unité de contrôle électronique (UCE).	<ul style="list-style-type: none"> • Contactez un technicien de service qualifié.
Le ventilateur est bruyant.	Il y a une obstruction.	<ol style="list-style-type: none"> 1. Vérifiez que le réfrigérateur est éteint. 2. Retirez le réfrigérateur, inspectez le ventilateur et éliminez toutes les obstructions. 3. Si le problème n'est pas résolu, communiquez avec un technicien de service qualifié.
Il y a une odeur qui provient de l'intérieur du réfrigérateur.	Des résidus se sont accumulés à l'intérieur du réfrigérateur.	Nettoyez l'intérieur du réfrigérateur. Consultez la section « Nettoyage du réfrigérateur » à la page 28.

11 Élimination



Placez les matériaux d'emballage dans les bacs de recyclage appropriés, si possible. Consultez un centre de recyclage local ou un concessionnaire spécialisé pour en savoir plus sur l'élimination du produit conformément à toutes les réglementations nationales et locales applicables.

12 Renseignements concernant la garantie

Voir les sections ci-dessus pour des renseignements sur la garantie et l'assistance sous garantie aux États-Unis, au Canada et dans toutes les autres régions.

12.1 États-Unis et Canada

GARANTIE LIMITÉE DE UN AN DISPONIBLE À
DOMETIC.COM/EN-US/TERMS-AND-CONDITIONS-
CONSUMER/WARRANTY.

POUR TOUTE QUESTION OU POUR OBTENIR
UNE COPIE GRATUITE DE LA GARANTIE LIMITÉE,
CONTACTEZ :

DOMETIC CORPORATION
CUSTOMER SUPPORT CENTER
5155 VERDANT DRIVE
ELKHART, INDIANA, 46516 É.-U.
1 800 544 4881

12.2 Toutes les autres régions

La période de la garantie légale est applicable. En cas de défaillance du produit, veuillez contacter la filiale du fabricant dans votre région ou votre concessionnaire (reportez-vous aux adresses Web au dos de ce manuel d'utilisation pour les localiser).

Pour le traitement des réparations ou d'une réclamation en vertu de la garantie, veuillez inclure les documents suivants lors de l'envoi de l'appareil :

- Une copie du justificatif d'achat comprenant la date de l'achat.
- Une explication de la demande ou une description de la défaillance.

Centros de servicio y ubicación de los distribuidores

Visite: www.dometic.com

Lea estas instrucciones con atención y siga todas las instrucciones, pautas y advertencias que se incluyen en este manual del producto para asegurarse de instalar, utilizar y mantener el producto de forma adecuada en todo momento. Estas instrucciones DEBEN permanecer con este producto.

Al utilizar el producto, usted confirma que ha leído atentamente todas las instrucciones, pautas y advertencias, y que entiende y acepta cumplir los términos y condiciones que se establecen en el presente documento. Usted acepta utilizar este producto solo para el propósito y la aplicación previstos, de conformidad con las instrucciones, pautas y advertencias establecidas en este manual del producto, y de acuerdo con todas las leyes y los reglamentos aplicables. Si no lee ni sigue las instrucciones y las advertencias que se incluyen en el presente documento, puede lesionarse usted u otra persona y se puede dañar el producto u otra propiedad a su alrededor. Este manual del producto, incluidas las instrucciones, pautas y advertencias, así como la documentación relacionada, puede estar sujeto a cambios y actualizaciones. Para obtener información actualizada del producto, visite www.dometic.com.

Contenido

1 Explicación de los símbolos e instrucciones de seguridad	31
1.1 Reconocer la información de seguridad	32
1.2 Comprender las palabras de señalización	32
1.3 Directivas complementarias	32
1.4 Mensajes generales de seguridad	32
2 Uso previsto	33
3 Información general	33
3.1 Herramientas y materiales	33
3.2 Placa de datos	34
3.3 Ubicación de los componentes	34
3.4 Dimensiones externas	35
4 Especificaciones	35
5 Diagrama del cableado	36
6 Preinstalación	36
6.1 Evaluación de la ubicación de la instalación	37
6.2 Extracción de los portavasos	37
6.3 Extracción del panel posterior de la consola	37

6.4 Comprobación del refrigerador	38
6.5 Sustitución de los soportes laterales	38
6.6 Preparación de la ubicación del ventilador frontal	39
6.7 Preparación de la ubicación del conector trasero de alimentación	40
7 Instalación	40
7.1 Instalación del ventilador frontal	41
7.2 Conexión de la alimentación al ventilador	41
7.3 Fijar la nevera	42
7.4 Reinstalación del panel posterior de la consola	42
7.5 Reinstalación de los portavasos	42
8 Funcionamiento	43
8.1 Encendido del refrigerador	43
8.2 APAGAR el refrigerador	43
8.3 Ajuste del refrigerador	43
8.4 Apertura y cierre del refrigerador	43
8.5 Almacenamiento de productos refrigerados	43
9 Mantenimiento	44
9.1 Limpieza de la nevera	44
9.2 Mantenimiento del refrigerador cuando no está en uso	44
10 Resolución de problemas	44
11 Eliminación	45
12 Información de la garantía	45
12.1 Estados Unidos y Canadá	45
12.2 Otras regiones	45

1 Explicación de los símbolos e instrucciones de seguridad

Este manual contiene información e instrucciones de seguridad para ayudarle a eliminar o reducir el riesgo de accidentes y lesiones.

1.1 Reconocer la información de seguridad

⚠ Este es el símbolo de alerta de seguridad.
Se usa para alertarle sobre posibles peligros de lesiones físicas. Obedezca todos los mensajes de seguridad que siguen a este símbolo para evitar posibles lesiones o la muerte.

1.2 Comprender las palabras de señalización

Una palabra de señalización identificará los mensajes de seguridad y de daños materiales, e indicará el grado o nivel de gravedad del peligro.

⚠ ¡PELIGRO!

Indica una situación peligrosa que, si **no** se evita, provocará la muerte o lesiones graves.

⚠ ADVERTENCIA

Indica una situación peligrosa que, si **no** se evita, podría provocar la muerte o lesiones graves.

⚠ PRECAUCIÓN

Indica una situación peligrosa que, si **no** se evita, podría provocar lesiones leves o moderadas.

AVISO: Se utiliza para abordar prácticas **no** relacionadas con lesiones físicas.

i Indica información adicional que no está relacionada con una lesión física.

1.3 Directivas complementarias

Para reducir el riesgo de accidentes y lesiones, tenga en cuenta las pautas siguientes antes de instalar o utilizar este aparato:

- Lea y siga todas las instrucciones y la información de seguridad.
- Lea y comprenda estas instrucciones antes de instalar y utilizar este producto.
- La instalación debe cumplir con todos los códigos locales o nacionales aplicables.

1.4 Mensajes generales de seguridad

⚠ ADVERTENCIA: PELIGRO DE DESCARGA ELÉCTRICA, INCENDIO Y/O EXPLOSIÓN. Hacer caso omiso a las advertencias puede ocasionar lesiones graves o la muerte:

- Utilice únicamente piezas de repuesto y componentes Dometic que estén específicamente aprobados para su uso con el aparato.
 - Evite hacer instalaciones, ajustes, modificaciones, reparaciones o mantenimientos inadecuados del producto. El servicio y el mantenimiento **deben** ser realizados únicamente por personal de servicio cualificado.
 - **No** modifique este producto de ninguna manera. Las modificaciones pueden ser extremadamente peligrosas.
 - **No** sumerja este producto en agua.
 - **No** use este producto para ningún otro propósito que no sea como un dispositivo de enfriamiento móvil.
 - Preste atención a la hora de diagnosticar y/o ajustar los componentes en una unidad con la alimentación conectada.
 - Apague el motor del vehículo durante la instalación.
 - Deséchelo adecuadamente de acuerdo con las reglamentaciones federales o locales aplicables.
 - **No** taladre ni perfore el ensamblaje de refrigeración ni la tubería del refrigerante. Siga cuidadosamente las instrucciones de manipulación.
- ⚠ ADVERTENCIA: MONÓXIDO DE CARBONO Y/O SEGURIDAD VEHICULAR. Hacer caso omiso a las advertencias puede ocasionar lesiones graves o la muerte:**
- Estacione el vehículo en un área bien ventilada durante el proceso de instalación.
 - Asegúrese de que el vehículo esté estacionado con el freno de emergencia activado en todo momento durante el proceso de instalación.
 - Siga todos los procedimientos de seguridad del fabricante del vehículo.

⚠ PRECAUCIÓN

Evite tocar el compresor o las aspas delanteras del ventilador durante la instalación. **No** cumplir con esta precaución puede causar lesiones leves o moderadas.

AVISO: Hacer caso omiso a los avisos siguientes puede causar daños a la propiedad:

- **No** use una regleta o un divisor de dos vías.
- **No** use adaptadores de cable de alimentación que no sean los proporcionados por el fabricante.
- **No** llene este producto con cubitos de hielo o agua. Si se acumula escarcha o condensación dentro de este producto, séquelo con una esponja suave o un paño de microfibra.

2 Uso previsto

El refrigerador de la consola central (o "refrigerador") brinda a los pasajeros del vehículo un fácil acceso a los artículos refrigerados desde la comodidad de la cabina del vehículo. El refrigerador está diseñado para encajar en el espacio de la consola existente y proporcionar un ambiente de enfriamiento controlado automáticamente para artículos empaquetados. Este refrigerador solo es adecuado para el propósito y la aplicación previstos de acuerdo con estas instrucciones.

Este manual proporciona información necesaria para la instalación y el funcionamiento correctos del refrigerador. Una instalación deficiente y/o un funcionamiento o mantenimiento incorrectos darán como resultado un rendimiento insatisfactorio y posibles fallos. El fabricante no acepta ninguna responsabilidad por lesiones o daños al producto que resulten de:

- Montaje o conexión incorrectos, incluido el exceso de voltaje
- Mantenimiento incorrecto o uso de repuestos distintos a los originales proporcionados por el fabricante
- Alteraciones al producto sin el permiso expreso del fabricante
- Uso con fines distintos a los descritos en el manual

Dometic se reserva el derecho de cambiar la apariencia y las especificaciones del producto.

3 Información general

Esta sección proporciona información sobre las piezas incluidas, las herramientas y los materiales de instalación, las ubicaciones de los componentes y el refrigerador.

i Las imágenes utilizadas en este documento son solo de referencia. Los componentes y la ubicación de los componentes pueden variar en función de los modelos específicos del producto. Las medidas pueden variar en ±0.38 pulg. (10 mm).

3.1 Herramientas y materiales

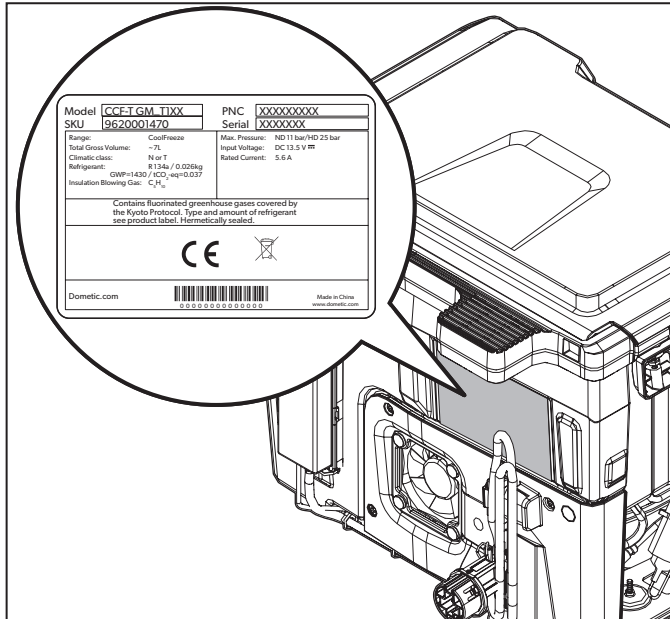
Dometic recomienda utilizar las siguientes herramientas y materiales al instalar el inodoro.

Piezas incluidas	Cantidad
Unidad de refrigeración	1
Alfombra de goma	2
Ventilador frontal - Plantilla	1
Soporte de fijación	2
Sujetador de soporte	4

Herramientas recomendadas	
Taladro	Destornillador Phillips
Broca de 3.5 pulgadas para sierra de cortar círculos	Cinta removible
Broca de 1-1/8 pulgadas para para sierra de cortar círculos	Destornilladores Torx T15, T20
Marcador	Aspiradora o Shop Vac
Multímetro	

3.2 Placa de datos

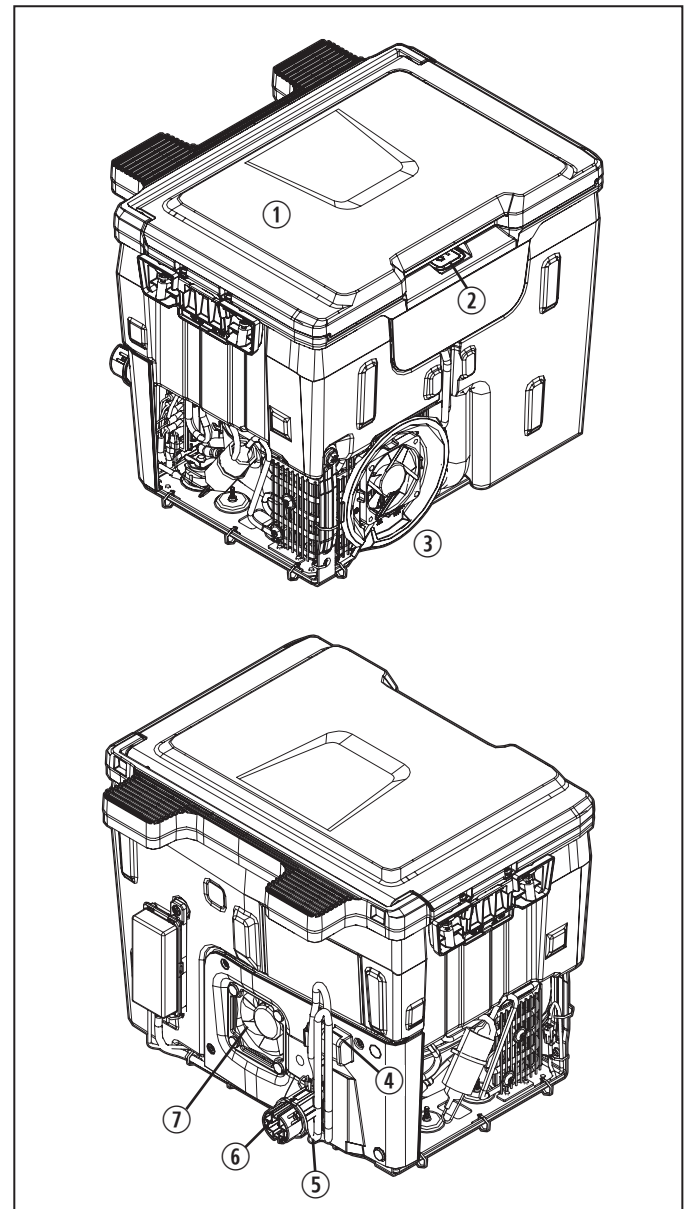
Esta sección proporciona la ubicación de la placa de datos del refrigerador. Tenga esta información disponible si tiene que llamar al centro de atención al cliente de Dometic.



1 Ubicación de la placa de datos

3.3 Ubicación de los componentes

Esta sección identifica los componentes principales del refrigerador.

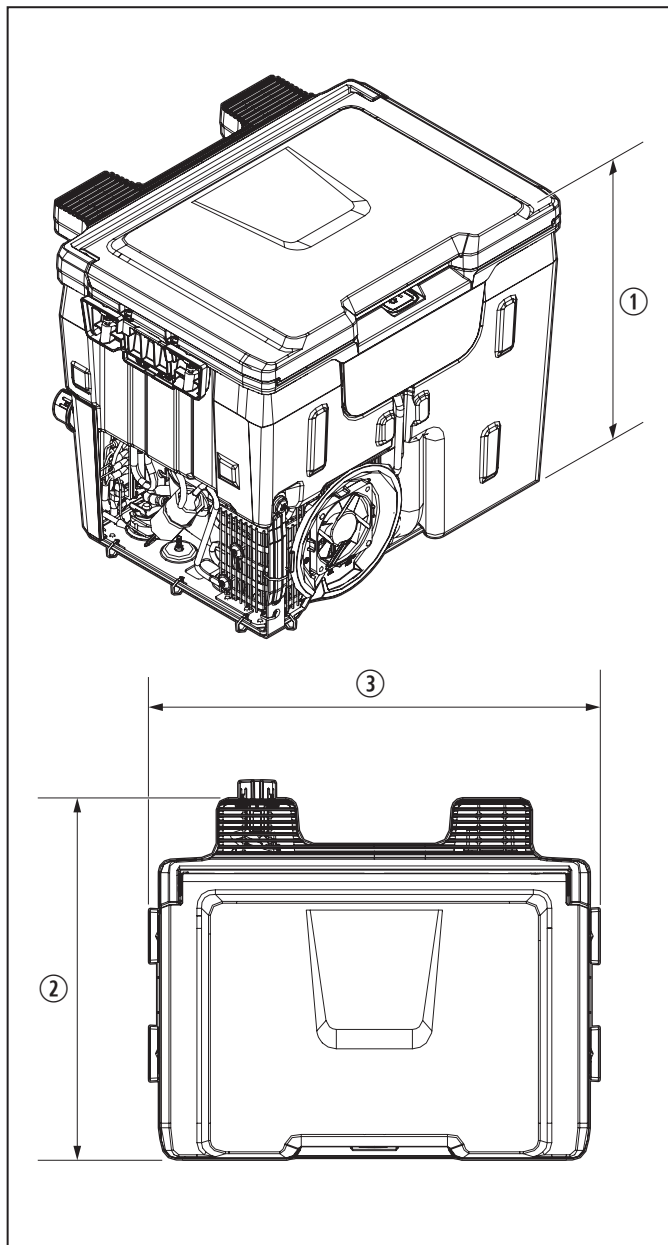


2 Ubicaciones de los componentes del refrigerador

- ① Unidad de refrigeración
- ② Botón de encender/apagar con LED
- ③ Ventilador frontal
- ④ Fusible de 10 A
- ⑤ Cable de alimentación de VCC
- ⑥ Enchufe de alimentación de VCC
- ⑦ Ventilador del condensador

3.4 Dimensiones externas

Esta sección identifica las dimensiones exteriores del refrigerador.



3 Dimensiones exteriores del refrigerador

- ① Altura: 11.0 pulgadas (279 mm)
- ② Profundidad: 11.5 pulgadas (292 mm)
- ③ Ancho: 13.5 pulgadas (343 mm)

4 Especificaciones

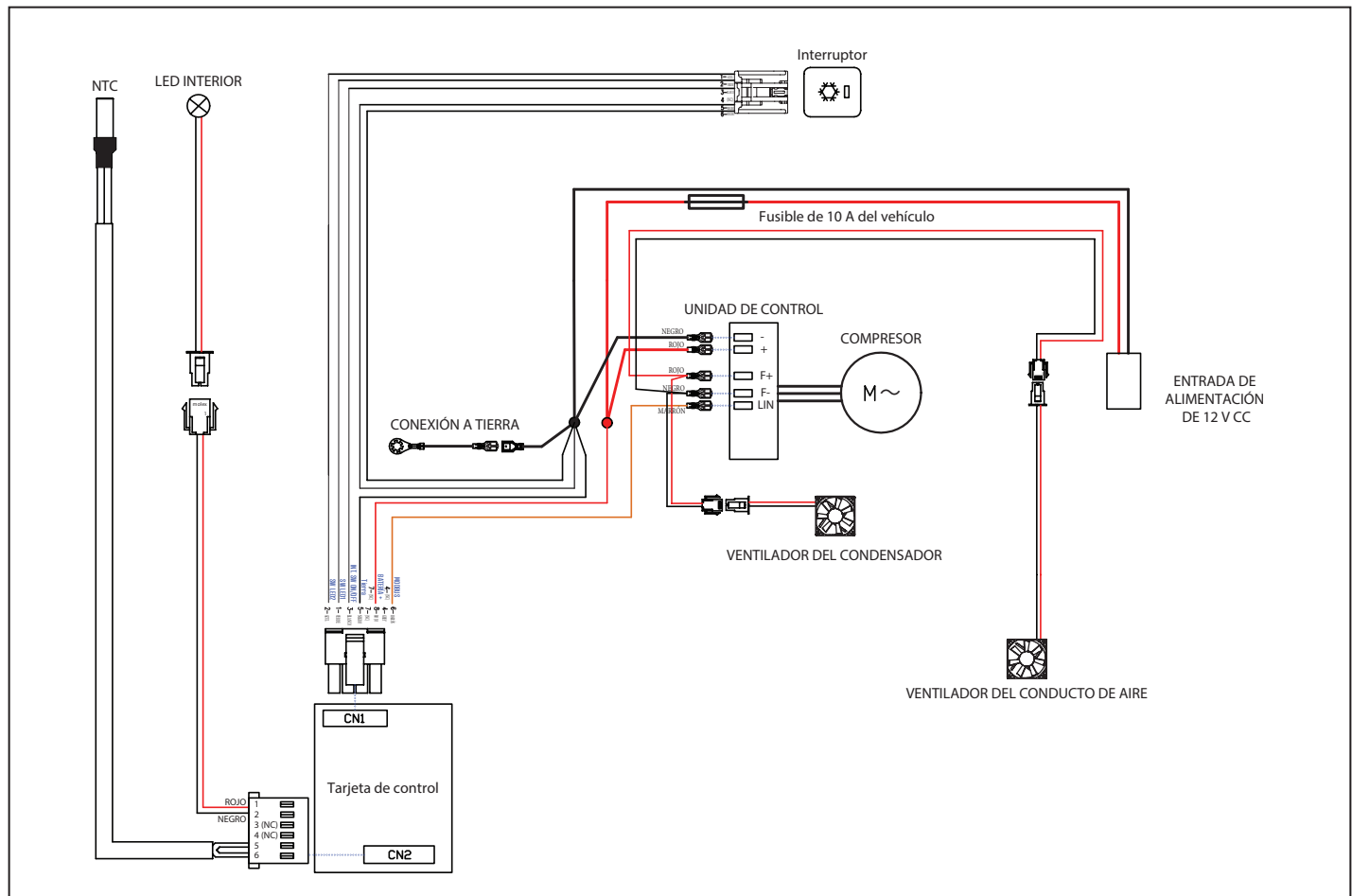
Peso	12.5 libras (5.7 kg)
Entrada de voltaje	12.0–16.0 V CC
Protección de bajo voltaje	12.3 V CC
Consumo de energía en el arranque	5.6 A
Consumo de energía durante el funcionamiento a una temperatura ambiente de 90 °F	4.2 A
Volumen Interno	7 litros
Capacidad de almacenamiento de bebidas	<ul style="list-style-type: none"> • Seis botellas de 16.9 oz (500 ml) • Nueve latas de 12 oz (355 ml)
Refrigerante y carga	R134a, 1 oz (26 g)
Ajuste de temperatura	37 °F (3 °C)
Modelos de vehículos¹	<ul style="list-style-type: none"> • Chevrolet Silverado 1500 (2019–2021) • Chevrolet Silverado HD 2500/3500 (2020 y posteriores) • GMC Sierra 1500 (2019–2021) • GMC Sierra HD 2500/3500 (2020 y posteriores)

¹ Solo disponible para modelos con configuración de consola de piso.

5 Diagrama del cableado

⚠ ADVERTENCIA: PELIGRO DE DESCARGA ELÉCTRICA.

Desconecte la alimentación antes de realizar cualquier instalación eléctrica o actividades de mantenimiento. No cumplir con estas advertencias puede ocasionar lesiones graves o la muerte.



4 Diagrama de cableado del refrigerador

6 Preinstalación

⚠ ADVERTENCIA: MONÓXIDO DE CARBONO Y/O SEGURIDAD VEHICULAR. Hacer caso omiso a las advertencias puede ocasionar lesiones graves o la muerte:

- Estacione el vehículo en un área bien ventilada durante el proceso de instalación.
- Apague el motor del vehículo.

- Asegúrese de que el vehículo esté estacionado con el freno de emergencia activado en todo momento durante el proceso de instalación.

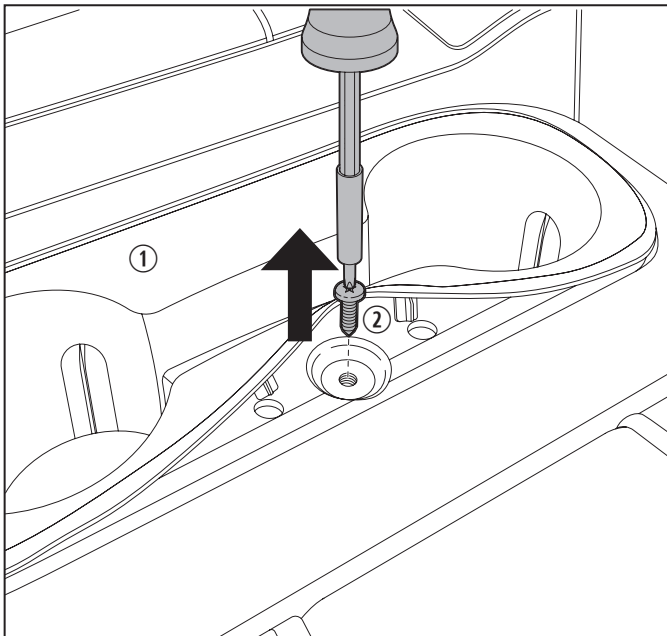
AVISO: Evite pellizcar, aplastar o romper los cables o el cable de alimentación. De lo contrario, podría dañar el refrigerador.

Esta sección describe la evaluación y los preparativos de la ubicación para instalar el refrigerador.

6.1 Evaluación de la ubicación de la instalación

1. Confirme que su vehículo sea del modelo, año del modelo y nivel de equipamiento correctos para aceptar el refrigerador. Consulte "Especificaciones" en la página 35 para obtener más información. Solo son elegibles los paquetes de equipamiento con una consola de piso central integrada.
2. Verifique que tenga las piezas y herramientas correctas para realizar la instalación del refrigerador. Consulte "Herramientas y materiales" en la página 33 para obtener más información.

6.2 Extracción de los portavasos

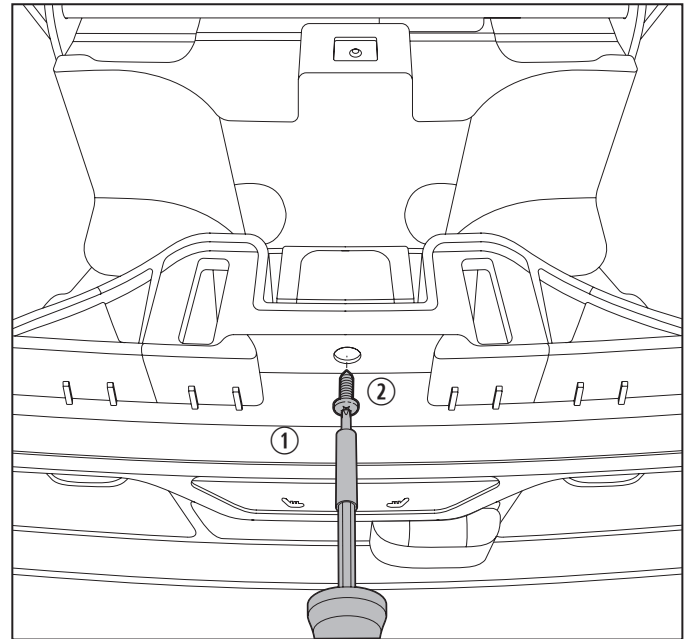


5 Extracción de los portavasos

- ① Portavasos ② Tornillo

1. Levante la moldura de goma en la parte delantera de los portavasos para acceder al tornillo.
2. Utilice un destornillador Torx T15 para aflojar y quitar el tornillo.
3. Tire con firmeza hacia arriba de los portavasos para soltar las presillas de retención ocultas y saque los portavasos de la consola.

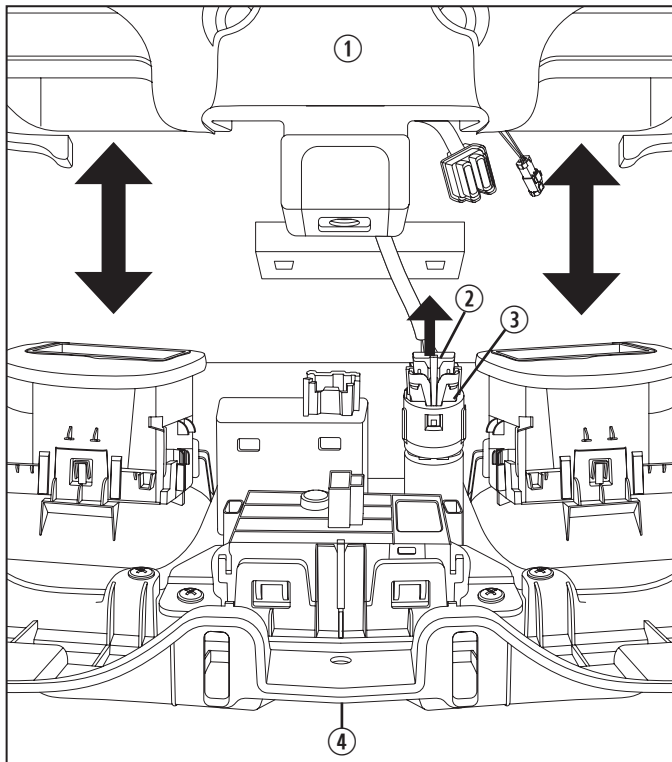
6.3 Extracción del panel posterior de la consola



6 Extracción del panel posterior de la consola

- ① Panel posterior de la consola ② Tornillo

1. Utilice un destornillador Torx T15 para quitar el tornillo de la parte superior del panel posterior de la consola.
2. Tire con firmeza del panel posterior de la consola para liberar las presillas de retención ocultas, teniendo cuidado de no forzar las conexiones eléctricas internas.



7 Quitar las conexiones eléctricas

- | | |
|--|--|
| ① Consola central | ③ Conector trasero de alimentación de 12 V |
| ② Lengüeta roja del conector trasero de alimentación de 12 V | ④ Panel posterior de la consola |

3. Quite la pestaña roja del conector trasero de alimentación de 12 V.
4. Desconecte el conector trasero de alimentación de 12 V del panel trasero de la consola.
5. Desconecte todas las conexiones eléctricas restantes del panel posterior de la consola y deje el panel posterior de la consola a un lado.

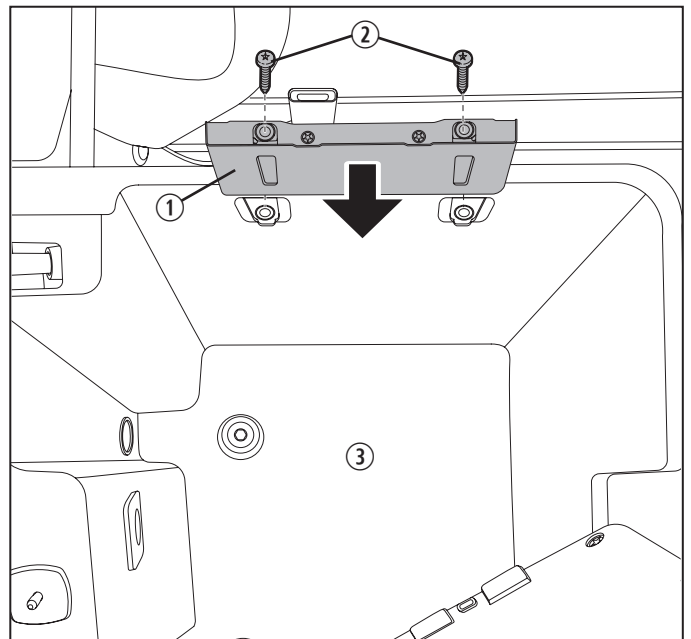
6.4 Comprobación del refrigerador

i La tapa de la consola debe permanecer abierta durante los procedimientos de preinstalación e instalación.

1. Coloque la unidad del refrigerador en posición vertical sobre el piso, cerca de la parte trasera de la consola (área de la segunda fila).
2. Inserte el conector trasero de alimentación de 12 V del vehículo en el enchufe del cable de alimentación de 12 V CC de la unidad del refrigerador.

3. Arranque el motor del vehículo.
4. Confirme que el LED azul esté iluminado en el botón de ENCENDIDO/APAGADO de la unidad del refrigerador. De lo contrario, mantenga presionado el botón durante un segundo y luego suéltelo.
5. Escuche el arranque del ventilador del condensador. Consulte "Resolución de problemas" en la página 43 si el ventilador del condensador no arranca.
6. Apague el motor del vehículo.
7. Mantenga presionado el botón de ENCENDIDO/APAGADO para APAGAR la unidad del refrigerador.
8. Desenchufe el cable de alimentación de 12 V CC.
9. Coloque la unidad de refrigeración lejos de la consola.

6.5 Sustitución de los soportes laterales



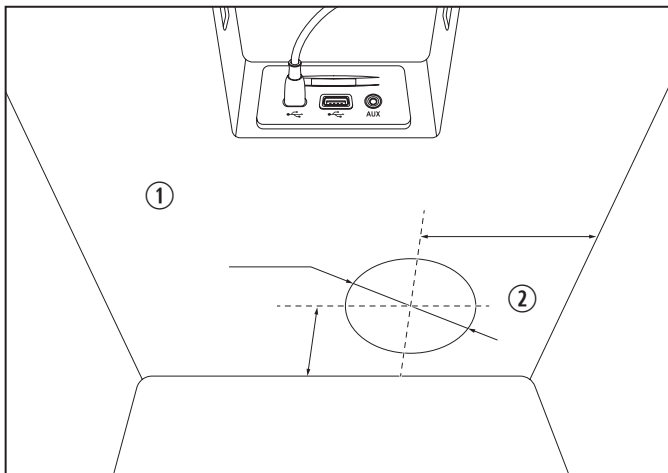
8 Sustitución de los soportes laterales

- | | |
|----------------------------|-------------|
| ① Soporte lateral | ② Tornillos |
| ③ Contenedor de la consola | |

1. Abra el compartimiento de la consola para ubicar los soportes laterales.
2. Use un destornillador Torx T20 para aflojar y quitar los tornillos de cada soporte lateral.
 - i** Conserve los tornillos.
3. Quite los soportes laterales existentes.
 - i** Conserve los soportes laterales.
4. Inserte los soportes de montaje provistos.
5. Invierta estos pasos para instalar los nuevos soportes de montaje.

6.6 Preparación de la ubicación del ventilador frontal

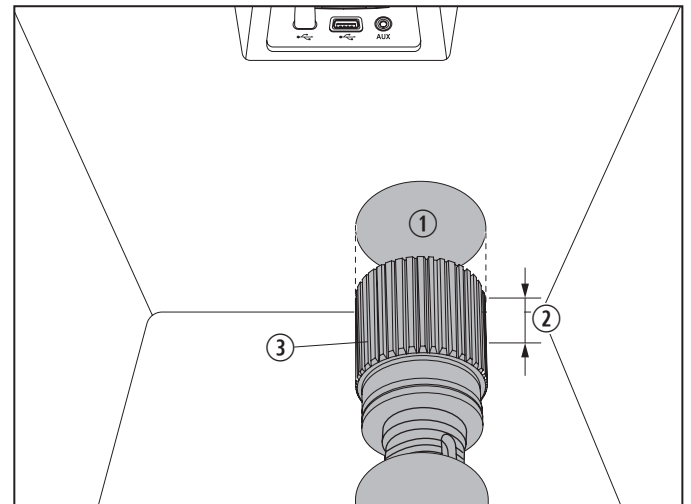
AVISO: En el caso de los vehículos con sistema de sonido Bose®, **no** exceda la profundidad de perforación de 3/8 in (10 mm). De lo contrario, podría dañarse la carcasa del altavoz.



9 Uso de la plantilla de abanico frontal

- 1** Pared frontal del compartimiento de la consola
- 2** Plantilla de ventilador frontal

1. Pegue con cinta adhesiva la plantilla del ventilador frontal en el interior de la pared frontal del compartimiento de la consola.
2. Con un marcador, trace el punto central que se abre desde la plantilla hasta la pared del depósito de la consola.

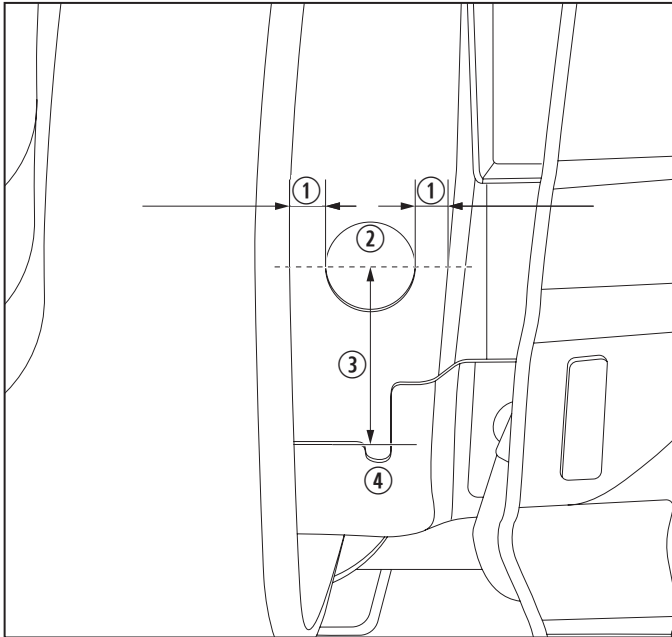


10 Perforación de la abertura del ventilador frontal

- 1** Orificio de 3.5 pulgadas (89 mm)
- 2** 3/8 in (10 mm): profundidad máxima de perforación
- 3** Broca para sierra de cortar círculos de 3.5 pulgadas (89 mm)

3. Quite la plantilla del ventilador frontal.
4. Utilice la broca para sierra de cortar círculos de 3.5 pulgadas (89 mm) para perforar una abertura para el ventilador frontal.
 - i** Según el tamaño y el tipo de broca, puede ser necesaria una broca en ángulo recto para perforar el agujero sin dañar la carcasa.
5. Aspire cualquier residuo de la consola y del área del contenedor de la consola.

6.7 Preparación de la ubicación del conector trasero de alimentación

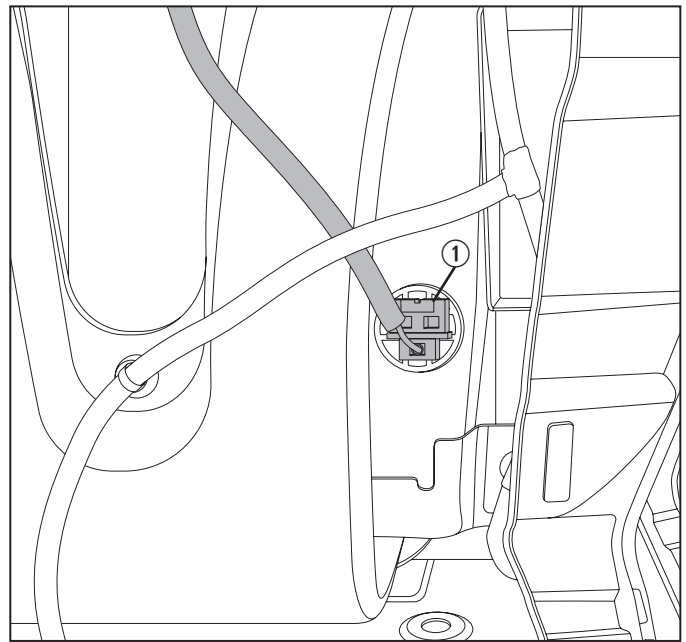


11 Perforación de la abertura del conector trasero de alimentación

- ① Igual ancho
- ② Ubicación del orificio
- ③ 2 pulgadas (50 mm)
- ④ Soporte negro para el conector trasero de alimentación de 12 V

1. En el lado del pasajero trasero de la consola, identifique la ubicación del orificio para el conector de alimentación trasera de 12 V mediante uno de los siguientes métodos:
 - Introduzca la plantilla suministrada hacia abajo detrás del soporte negro hasta que se detenga.
 - Mida 2 pulg. (50 mm) por encima del soporte negro y centre el agujero horizontalmente.
2. Con un marcador, trace el centro de la ubicación del orificio de perforación.
3. Use la broca para sierra de cortar círculos de 1 1/8 pulgadas (29 mm) para perforar una abertura para el conector trasero de alimentación de 12 V.
4. Aspire cualquier residuo de la consola y del área del contenedor de la consola.
5. Coloque el refrigerador cerca de la abertura de la consola central.

6. Inserte el extremo del enchufe del cable de alimentación de 12 VCC del refrigerador en el agujero de 1 1/8 pulgadas (29 mm) hasta que encaje en su lugar.



12 Instalación del conector trasero de alimentación de 12 V

- ① Conector trasero de alimentación de 12 V

7. Empuje el conector trasero de alimentación gris de 12 VCC (que se desconectó del panel posterior de la consola en “Extracción del panel posterior de la consola” en la página 37) en el enchufe del cable de alimentación de 12 VCC del refrigerador.

7 Instalación

⚠ ADVERTENCIA: PELIGRO DE INCENDIO. No cumplir con estas advertencias puede ocasionar lesiones graves o la muerte.

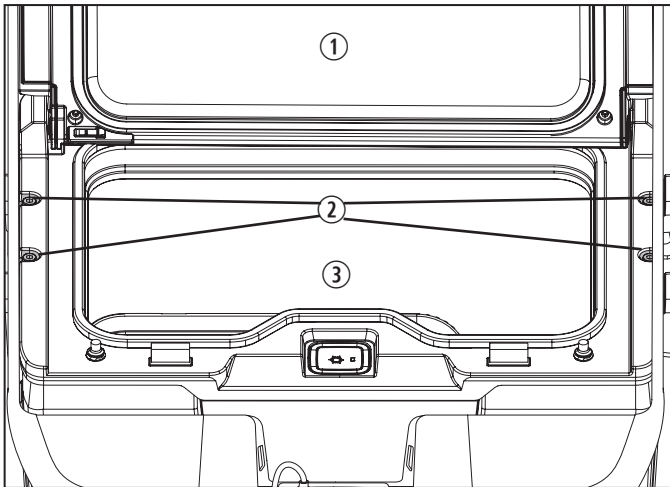
Mantenga sin obstrucciones a las aberturas de ventilación en la carcasa del aparato o en la estructura integrada.

AVISO: No deje la unidad del refrigerador en posición invertida ni haga funcionar el compresor poco después de que el refrigerador haya estado en una posición invertida. De lo contrario, podría dañar el compresor.

AVISO: Evite pellizcar, aplastar o romper los cables o el cable de alimentación. De lo contrario, podría dañarse la unidad del refrigerador.

Esta sección describe cómo instalar y cablear el ventilador y la unidad del refrigerador y cómo reinstalar el panel posterior de la consola y los portavasos.

7.1 Fijar la nevera

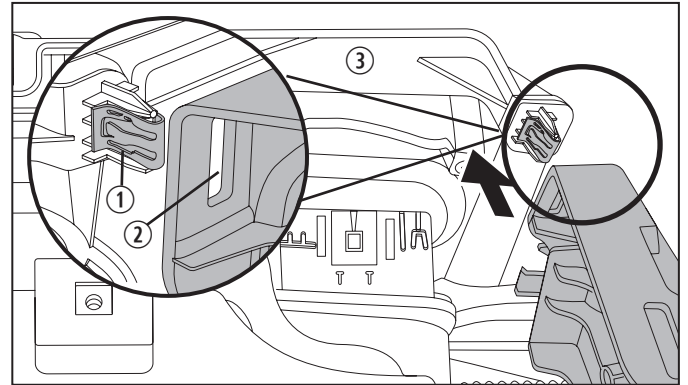


13 Asegurar el refrigerador

- ① Tapa del refrigerador
- ② Tornillos
- ③ Unidad de refrigeración

1. Baje el refrigerador en la consola.
2. Abra la tapa del refrigerador.
3. Con un destornillador Phillips n.º 2, apriete a mano los tornillos provistos para asegurar el refrigerador a los soportes de montaje.

7.2 Reinstalación del panel posterior de la consola

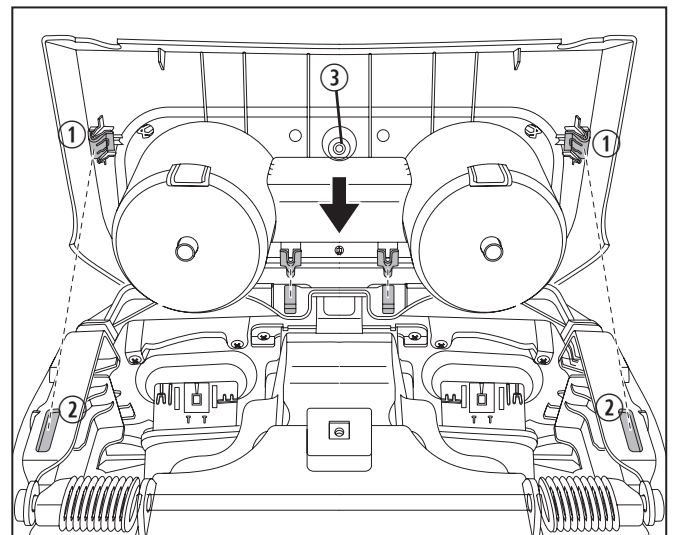


14 Reinstalación del panel posterior de la consola

- ① Presilla de retención
- ② Ranura de retención
- ③ Panel posterior de la consola

1. Excepto el conector trasero de alimentación de 12 VCC que ahora alimenta el refrigerador, vuelva a conectar todas las conexiones eléctricas al panel posterior de la consola.
2. Alineando las presillas de retención con las ranuras de retención, empuje el panel posterior de la consola dentro de la consola hasta que encaje en su lugar.
3. Utilice un destornillador Torx T15 para volver a instalar el tornillo en la parte superior del panel posterior de la consola.

7.3 Reinstalación de los portavasos



15 Reinstalación de los portavasos

- ① Presilla de retención ③ Orificio para tornillo
② Ranura de retención

1. Alineando las presillas de retención con las ranuras de retención, presione los portavasos hacia abajo en la consola hasta que encajen en su lugar.
2. Levante la moldura de goma en la parte delantera de los portavasos para acceder al orificio del tornillo.
3. Utilice un destornillador Torx T15 para volver a instalar el tornillo.

8 Funcionamiento

⚠ ADVERTENCIA: PELIGRO DE INCENDIO Y/O EXPLOSIÓN. Hacer caso omiso a las advertencias puede ocasionar lesiones graves o la muerte:

- Este refrigerador **debe** instalarse y ubicarse correctamente de acuerdo con estas instrucciones antes de usarse.
- **No** almacene gasolina u otros líquidos con vapores inflamables en este refrigerador.
- **No** almacene sustancias explosivas, como latas de aerosol con un propulsor inflamable, en este refrigerador.
- **No** utilice aparatos eléctricos dentro de los compartimentos de almacenamiento de alimentos del refrigerador.

AVISO: Evite derramar líquido en las rejillas de ventilación de la bandeja de cierre. Si lo hace, podría dañar el ventilador del refrigerador o el cableado eléctrico.

Esta sección proporciona instrucciones sobre el uso adecuado del refrigerador.

8.1 Encendido del refrigerador

Mantenga presionado el botón de ENCENDIDO/APAGADO durante un segundo y luego suéltelo. El indicador LED azul del botón se iluminará cuando el refrigerador esté encendido.

El refrigerador permanecerá encendido hasta que se apague manualmente. Si el refrigerador está ENCENDIDO y el motor del vehículo está APAGADO:

- El refrigerador seguirá extrayendo energía de la batería hasta que el voltaje caiga por debajo de 12.3 V. Si se alcanza este umbral, el refrigerador se apagará hasta que el motor vuelva a arrancar.
- El refrigerador volverá a un estado ENCENDIDO cuando se reinicie el motor.

8.2 APAGAR el refrigerador

Mantenga presionado el botón de ENCENDIDO/APAGADO durante un segundo y luego suéltelo. El indicador LED azul del botón no estará iluminado cuando el refrigerador esté APAGADO.

El refrigerador permanecerá APAGADO hasta que se encienda manualmente. Si el refrigerador está APAGADO y el motor del vehículo está APAGADO, la unidad del refrigerador mantendrá el estado APAGADO.

8.3 Ajuste del refrigerador

La temperatura de enfriamiento se mantiene automáticamente y no es ajustable.

8.4 Apertura y cierre del refrigerador

Abra y cierre el refrigerador levantando la tapa de la consola y luego levantando la tapa del refrigerador.

i Asegúrese de que la tapa de la consola no interfiera con la tapa del refrigerador al abrirlo o cerrarlo.

i La tapa del refrigerador está diseñada para permanecer cerrada a menos que se mantenga abierta manualmente. Cuando la tapa del refrigerador está abierta, un LED ilumina el interior.

8.5 Almacenamiento de productos refrigerados

Para un uso óptimo del refrigerador, observe las siguientes instrucciones:

- Evite colocar artículos a 24 °C (75 °F) o más en el refrigerador. Para un uso óptimo, enfríe los artículos a 50 °F (10 °C) o menos antes de colocarlos dentro del refrigerador.
- Nunca introduzca líquidos o alimentos calientes en el interior.
- Nunca ponga hielo o líquidos que no estén en un contenedor en el interior.
- La cantidad total de artículos colocadas en el interior no debe exceder su volumen de almacenamiento.
- Para mantener la temperatura constante, minimice la cantidad de tiempo que la tapa permanece abierta.

9 Mantenimiento



ADVERTENCIA: PELIGRO DE DESCARGA ELÉCTRICA, INCENDIO Y/O EXPLOSIÓN. Hacer caso omiso a las siguientes advertencias puede ocasionar lesiones graves o la muerte:

- Siempre APAGUE el refrigerador antes de limpiarlo o darle servicio.
- El mantenimiento y las reparaciones **deben** realizarse únicamente por personal de servicio cualificado.
- **No** utilice dispositivos mecánicos para descongelar el refrigerador.
- **No** perfore la tubería del refrigerante.

Las instrucciones de mantenimiento y limpieza proporcionadas en esta sección deben realizarse en los intervalos indicados, o según sea necesario, dependiendo del uso del aparato. No dar mantenimiento adecuado al aparato podría anular la garantía y provocar un funcionamiento inseguro. La garantía no cubre el mantenimiento preventivo.

9.1 Limpieza de la nevera

AVISO: No utilice materiales de limpieza abrasivos o productos químicos agresivos, ya que podría dañar el refrigerador.

Si el refrigerador se ensucia, límpielo con una esponja suave y húmeda o un paño de microfibra.

Si hay condensación o se acumula líquido en el interior, extraígalo con una esponja suave o un paño de microfibra.

9.2 Mantenimiento del refrigerador cuando no está en uso

Para un cuidado óptimo del refrigerador cuando no esté en uso, observe las siguientes instrucciones:

- Limpie y seque el interior del refrigerador para evitar olores persistentes.
- Evite almacenar productos refrigerados en el refrigerador cuando no esté ENCENDIDO.
- Evite guardar objetos afilados o artículos que no estén destinados a la refrigeración en el refrigerador.

10 Resolución de problemas

Problema	Causa posible	Solución recomendada
Los productos refrigerados no están fríos.	El refrigerador no está encendido.	<ul style="list-style-type: none"> • Confirme que el refrigerador esté ENCENDIDO. • Consulte "Encendido del refrigerador" en la página 42.
	El refrigerador no está recibiendo alimentación.	<ul style="list-style-type: none"> • Ubique e inspeccione el fusible del vehículo. Si el fusible está quemado, reemplácelo.
	El ventilador no está funcionando.	<ul style="list-style-type: none"> • Ubique e inspeccione el fusible del refrigerador. Si el fusible está quemado, reemplácelo.

Problema	Causa posible	Solución recomendada
Hay condensación alrededor de la tapa del refrigerador.	La tapa del refrigerador no cierra correctamente.	<ul style="list-style-type: none"> Quite cualquier obstrucción alrededor de la tapa del refrigerador y la tapa de la consola para permitir que ambas tapas se cierren por completo.
	La junta de la tapa está dañada.	<ul style="list-style-type: none"> Inspeccione y reemplace la tapa si la junta está dañada.
	Hay una falla en la unidad de control electrónico (ECU).	<ul style="list-style-type: none"> Comuníquese con un técnico de servicio calificado.
El ventilador produce mucho ruido.	Hay una obstrucción.	<ol style="list-style-type: none"> 1. Confirme que el refrigerador esté APAGADO. 2. Quite el refrigerador, inspeccione el ventilador y elimine todas las obstrucciones. 3. Si el problema no se resuelve, comuníquese con un técnico de servicio calificado.
Hay un olor proveniente del interior del refrigerador.	Se han acumulado residuos dentro del refrigerador.	Limpie el interior del refrigerador. Consulte "Limpieza de la nevera" en la página 43.

11 Eliminación



Coloque el material de embalaje en los contenedores de reciclaje adecuados, siempre que sea posible. Consulte a un centro de reciclaje local o un distribuidor especializado para obtener detalles sobre cómo desechar el producto de acuerdo con todas las reglamentaciones nacionales y locales aplicables.

12 Información de la garantía

Consulte las secciones a continuación para obtener información sobre la garantía y soporte de garantía en EE. UU., Canadá y las demás regiones.

12.1 Estados Unidos y Canadá

GARANTÍA LIMITADA DISPONIBLE EN DOMETIC.
COM/EN-US/TERMS-AND-CONDITIONS-
CONSUMER/WARRANTY.

SI TIENE PREGUNTAS O DESEA OBTENER UNA COPIA SIN COSTO DE LA GARANTÍA LIMITADA, CONTACTE A:

DOMETIC CORPORATION
CUSTOMER SUPPORT CENTER
5155 VERDANT DRIVE
ELKHART, INDIANA, USA 46516
1-800-544-4881

12.2 Otras regiones

Se aplica el período de garantía legal. Si el producto presenta algún defecto, contacte con la sucursal del fabricante de su zona o con su distribuidor (consulte en la última página de las instrucciones las direcciones web para encontrar su región o distribuidor).

Para procesar reparaciones y garantías, incluya los documentos siguientes cuando envíe el dispositivo:

- Una copia del recibo con la fecha de compra
- Una razón del reclamo o descripción de la falla



dometic.com

**YOUR LOCAL
DEALER**

dometic.com/dealer

**YOUR LOCAL
SUPPORT**

dometic.com/contact

**YOUR LOCAL
SALES OFFICE**

dometic.com/sales-offices
