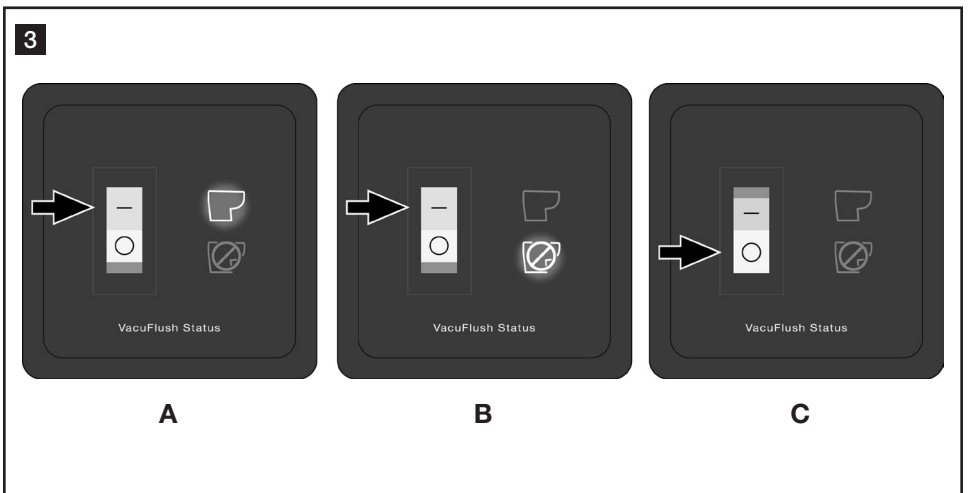
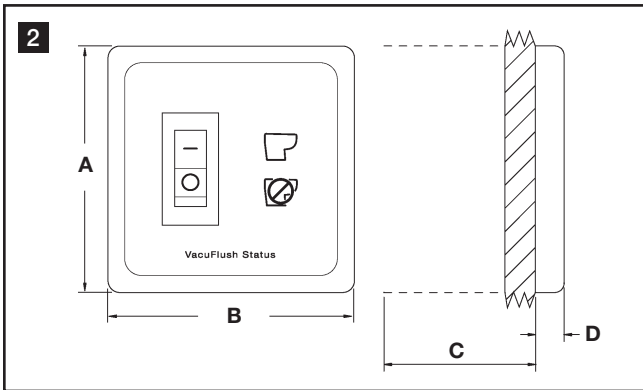
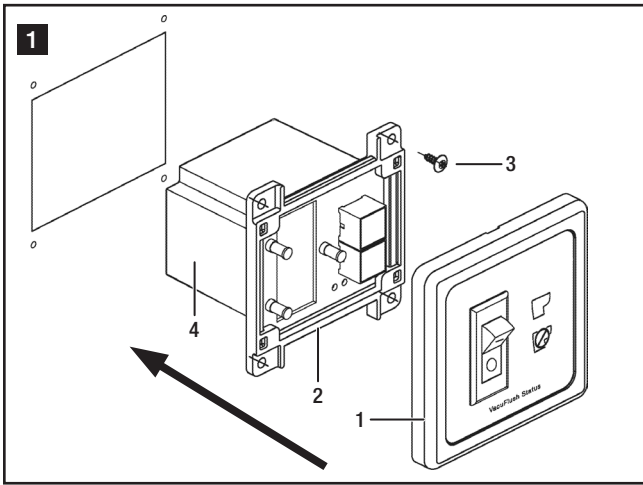




DVS02

Vacuum Status Control Panel



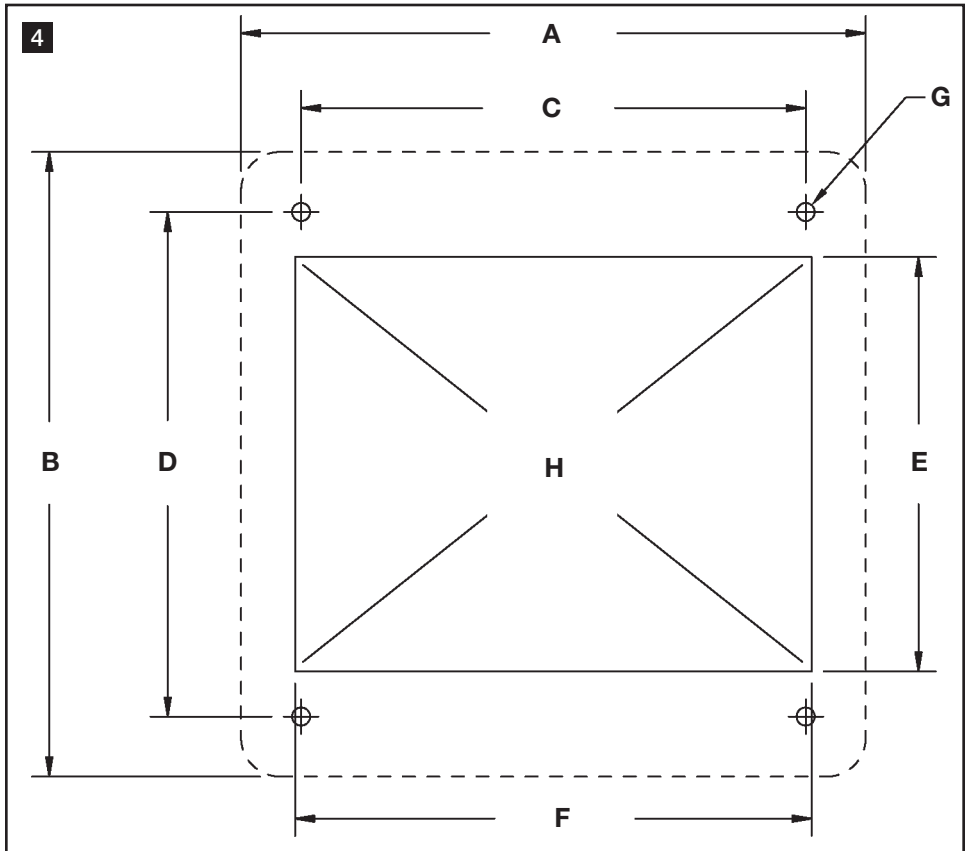


Table of contents

EN

1	Notes on using the manual	5
2	General safety instructions	5
3	Intended use	5 - 6
4	Components	6
5	Specifications	6 - 7
6	Installation	7 - 9
7	Operation	10
8	Warranty	11 - 12
9	Customer service	12

1 Notes on using the manual



Caution!

Safety Instruction: Failure to observe this instruction can cause material damage and impair the function of the device.



Note

Supplementary information for operating the device.

fig. **2** A, page 2 : This refers to an element in an illustration. In this example, item A in figure 2 on page 2.

2 General safety instructions

Read all instructions before use or installation.

The manufacturer will not be held liable for claims for damage resulting from the following:

- Faulty installation or connection
- Damage to the unit from mechanical influences, misuse or abuse
- Alterations to the unit without express written permission from the manufacturer
- Use for purposes other than those described in this manual

3 Intended use

The Dometic DVS02 panel provides two functions that make using a VacuFlush toilet system easier and more efficient. The panel indicates whether or not there is enough vacuum pressure for an effective flush, and the power switch allows turning off electrical power to the vacuum system during periods when the toilet is not in use and you do not want the vacuum system to operate. If connected to a “full tank” sensor, an illuminated red light can also indicate that the holding tank is full.

3.1 Vacuum status monitor

For instant, powerful flushes, VacuFlush toilets should be flushed only when vacuum in the toilet system is at its optimum level. An illuminated green light on the DVS02 panel indicates when the system is ready for flushing (fig. **3** A, p. 2). After the toilet is flushed, the red light will illuminate (fig. **3** B, p. 2) – this indicates that the toilet system is in the process of building vacuum to the proper level for the next flush. When the red light shuts off and the green light glows, the toilet system is ready for the next flush.

3.2 “Full tank” indicator

When connected to a “full tank” sensor (see wiring schematics, pp. 8-9), a steady illuminated red light can indicate that the holding tank is full. (fig. **3** B, page 2). The VacuFlush toilet should not be operated until the holding tank is emptied and the green light turns on.

3.3 Vacuum system control

During the night or other extended periods of non-use, the toilet system’s vacuum level may slowly dissipate and cause the vacuum pump to operate. To avoid this, switch the VacuFlush system power to “off” (fig. **3** C, page 2).

3.4 Features

Continuous vacuum level monitoring. Indicates when VacuFlush toilet is ready to flush.

Vacuum system protection. Magnetic circuit breaker protects pump from damage.

Power indicator for toilet system. Indicates when toilet system power is off or loss of electrical power.

12 or 24 V DC operation.

4 Components (fig. **1**, page 2)

Ref	Description
1	DVS02 panel cover
2	Mounting frame
3	#6 fastener
4	Circuit housing

5 Specifications

5.1 Materials

Panel frame and mounting frame: ABS

Panel surface: Polycarbonate resin

Circuit housing: High-density polyethylene

5.2 Electrical

Current and wattage per indicator light

	12 V DC	24 V DC
Amps	0.012 - 0.016	0.012 - 0.016
Watts	0.15 - 0.22	0.29 - 0.45

Circuit breaker – magnetic, manual reset

SIZE	F.L. amps	Trip amps
10 amps	10	13.5
5 amps	5	6.75

Specifications subject to change without notice.



Note

Be sure circuit breaker size of DVS02 panel matches VacuFlush system power requirements. Refer to wiring schematics, pp. 8-9.

5.3 Dimensions (fig. 2, page 2)

Ref.	Dimension
A	83 mm / 3.25 in.
B	83 mm / 3.25 in.
C	51 mm / 2 in. clearance behind wall
D	10 mm / 0.38 in.

6 Installation

6.1 Vacuum status control panel (fig. 1 A, page 2)



Caution!

Do not install DVS02 panel in area with potentially flammable or explosive vapors.

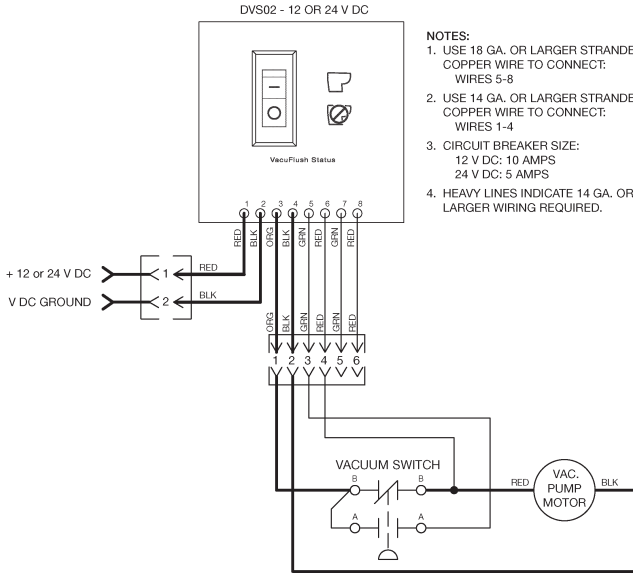
1. Select panel location away from direct contact with water and oil.
2. Confirm clearance for wire connections behind wall, hull liner or bulkhead.
3. Using control panel template (fig. 4, p. 3), cut out panel access hole (E, F) and drill fastener holes (G).
4. With electrical power off, route 14-gauge stranded copper wire (or other wire according to ABYC standards) from power source to panel location. Route additional wire according to appropriate wiring diagram (fig. 5 - 7, pp. 8 - 9 – wiring diagram schematics), depending on your application, to panel location. Make sure wires extend out through access hole.
5. Make proper wiring connections to wires extending from bottom of circuit housing (fig. 1 4, p. 2).
6. Remove panel cover (fig. 1 1, p. 2) from circuit panel/mounting frame assembly (2, 4), if necessary, by carefully pulling them apart.
7. Install mounting frame to wall with four fasteners (fig. 1 3, p.2).
8. Push panel cover onto mounting frame until it locks.
9. Turn on electrical power to DVS02 panel. Turn on DVS02 power switch (fig. 3 B, p. 2) and confirm normal operation of status lights.

DVS02 Panel Template Dimensions (fig. 4, page 3)

Ref.	Dimension
A	83 mm / 3.25 in.
B	83 mm / 3.25 in.
C	67 mm / 2.63 in.
D	67 mm / 2.63 in.
E	55 mm / 2.16 in.
F	68 mm / 2.69 in.
G	2 mm / 0.10 in. dia.
H	Cut-out area. Allow 51 mm / 2 in. clearance behind wall.

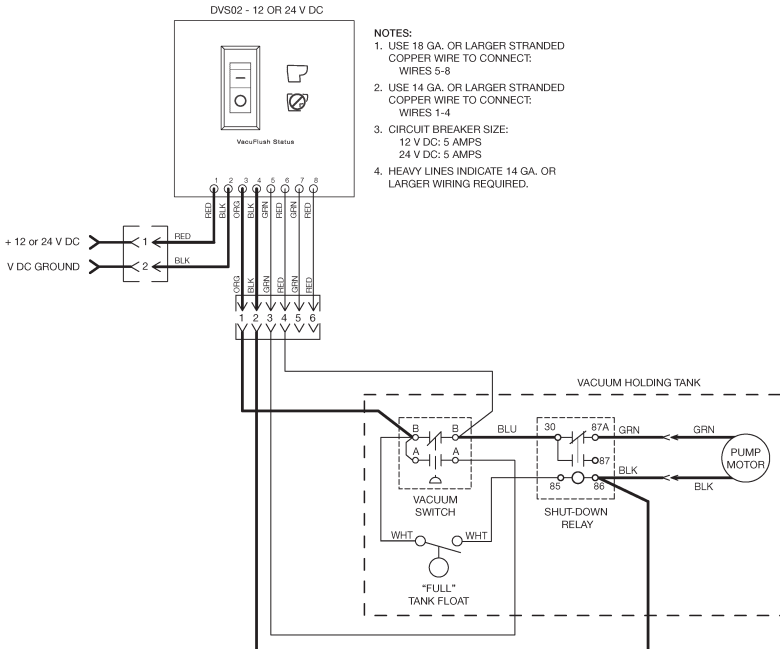
6

DVS02 panel with vacuum tank and vacuum pump



7

DVS02 panel with vacuum holding tank (VHT)



7 Operation

7.1 Vacuum status monitor (fig. 3, page 2)

1. When power switch is turned ON, the **green** light indicates that there is sufficient vacuum in the VacuFlush system to flush the toilet (A).
2. When power switch is turned ON and the **red** light glows, this indicates that there is NOT sufficient vacuum in the system to flush the toilet (B). **Do not flush toilet, or blockage may occur in system.**



Notes

If green and red light constantly cycle on and off between flushes, there is a possible vacuum leak in the system. (An idle VacuFlush system should not cycle more frequently than once every three hours.)

If green light is ON but there is no vacuum in system, a blockage has likely occurred between the toilet and vacuum tank. Open flush ball in toilet bowl and use standard toilet plunger to unblock.

After a period of time, if red light seems to remain lit longer than when toilet system was new, duckbill valves in vacuum pump may require replacement.



Caution!

If DVS02 is connected to a “full tank” sensor and holding tank is empty, a continuous red light may indicate extensive vacuum loss due to blockage, pump failure or leak. **Turn off vacuum system and repair as soon as possible.**

7.2 “Full tank” monitor (only when connected to “full tank” sensor in waste holding tank)

1. When power switch is turned ON, the red light glows, and the vacuum pump is not running, this indicates that the holding tank is full and needs to be pumped out. **Do not flush toilet, or blockage may occur in system.**

7.3 Circuit breaker control (fig. 3, page 2)

1. Turn the power switch to the ON position (A, B) for normal toilet operation. One light will always be lit to indicate there is power to the VacuFlush toilet system. Allow system vacuum to fully recharge and green light to illuminate before turning power OFF for any reason.
2. During the night or other extended periods when the toilet or vacuum system is not needed to operate, turn the power switch to the OFF position (C).

8 Warranty and product liability

North America

Manufacturer's One-Year Limited Warranty

Dometic Corporation, Sanitation Division (Dometic) warrants to the original purchaser only that this product, if used for personal, family or household purposes, is free from defects in material and workmanship for a period of one year from the date of purchase.

If this Dometic product is placed in commercial or business use, it will be warranted to the original purchaser only to be free of defects in material and workmanship for a period of ninety (90) days from the date of purchase.

Dometic reserves the right to replace or repair any part of this product that proves, upon inspection by Dometic, to be defective in material or workmanship. All labor and transportation costs or charges incidental to warranty service are to be borne by the purchaser-user.

EXCLUSIONS

IN NO EVENT SHALL DOMETIC BE LIABLE FOR INCIDENTAL OR CONSEQUENTIAL DAMAGES, FOR DAMAGES RESULTING FROM IMPROPER INSTALLATION, OR FOR DAMAGES CAUSED BY NEGLIGENCE, ABUSE, ALTERATION OR USE OF UNAUTHORIZED COMPONENTS. ALL IMPLIED WARRANTIES, INCLUDING ANY IMPLIED WARRANTY OF MERCHANTABILITY OR FITNESS FOR ANY PARTICULAR PURPOSE, ARE LIMITED TO A PERIOD OF ONE YEAR FROM DATE OF PURCHASE.

IMPLIED WARRANTIES

No person is authorized to change, add to, or create any warranty or obligation other than that set forth herein. Implied warranties, including those of merchantability and fitness for a particular purpose, are limited to one (1) year from the date of purchase for products used for personal, family or household purposes, and ninety (90) days from the date of purchase for products placed in commercial or business use.

OTHER RIGHTS

Some states do not allow limitations on the duration of an implied warranty and some states do not allow exclusions or limitations regarding incidental or consequential damages; so, the above limitations may not apply to you. This warranty gives you specific legal rights, and you may have other rights which vary from state to state.

To obtain warranty service, first contact your local dealer from whom you purchased this product or go to <http://www.dometic.com/enus/Americas/USA/Customer-Support/> for a dealer near you.

Europe:

Warranty and Customer Service

Warranty arrangements are in accordance with EC Directive 44/1999/CE and the normal conditions applicable for the country concerned. For warranty or other service, please contact our Dometic Service department listed elsewhere in this manual. Any damage due to improper use is not covered by the warranty.

The warranty does not cover any modifications to the product or the use of non-original Dometic parts; the warranty does not apply if the installation and operating instructions are not adhered to and no liability shall be entertained.

(continued on next page)

Product Liability

Product liability of Dometic Group and its subsidiary companies does not include damages which may arise from: faulty operation; improper alterations or intervention in the equipment; adverse effects from the environment which may impact the equipment itself or the direct vicinity of the equipment or persons in the area.

To obtain warranty service, first contact your local dealer from whom you purchased this product or go to <http://www.dometic.com> to locate a dealer near you.

9 Customer service

There is a strong, worldwide network to assist in servicing and maintaining your toilet system. For the Authorized Service Center near you, please call from 8:00 a.m. to 5:00 p.m. (ET) Monday through Friday.

You may also contact or have your local dealer contact the Parts Distributor nearest you for quick response to your replacement parts needs. They carry a complete inventory for the Dometic product line.

Telephone:	1-800-321-9886 330-496-3211	U.S.A. and Canada International
Fax:	330-496-3097 330-496-3220	U.S.A. and Canada International
Web site:	http://www.Dometic.com http://DometicSanitation.com	

Dometic is a customer-driven, world-leading provider of leisure products for the RV, automotive, truck and marine markets. We supply the industry and aftermarket with a complete range of air conditioners, refrigerators, awnings, cookers, sanitation systems, lighting, mobile power equipment, comfort and safety solutions, windows, doors and other equipment that make life more comfortable away from home.

Dometic supplies a wide range of workshop equipment for service and maintenance of built-in air conditioners. Dometic also provides specially designed refrigerators for hotel rooms, offices, wine storage and transport and storage of medical products.

Our products are sold in almost 100 countries and are produced mainly in wholly-owned production facilities around the world.



Dometic Corporation, Sanitation Division
13128 State Rt. 226, P.O. Box 38
Big Prairie, OH 44611 USA
1-800-321-9886 • Fax: 330-496-3097
www.Dometic.com

REVISION A

Form No. 600346523 8/17

©2017 Dometic Corporation