

POWER & CONTROL

# BAYSTAR PLUS STEERING

Designed to steer boats up to 150 hp, the BayStar Plus series gives you the comfort and reliability of hydraulic steering at a lower price point. From the low friction Dometic BayStar Plus Helm to the compact Dometic BayStar Plus Cylinder, you're ensured of a superb steering performance.

**INCLUDES HELM AND  
COMPACT CYLINDER**  
PLUS OIL

**FOR BOATS UP TO  
150 HP**  
INCLUDING RUNABOUTS & INFLATABLES

**COMFORT OF  
HYDRAULIC STEERING  
FOR LESS**



Mobile living made easy.

 **DOMETIC**

# HYDRAULIC STEERING PERFORMANCE FOR THE LOWER HP RANGE.

Dometic BayStar Plus provides hydraulic steering performance for the lower horse power range. Tilt option is available.

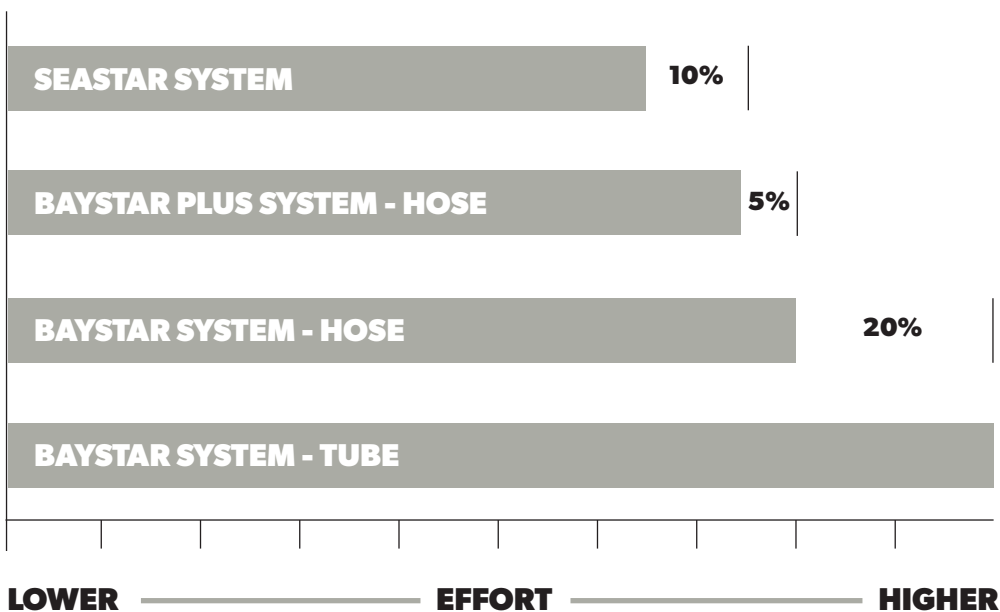
Effort Reduction — Dometic has recently updated the BayStar cylinder. These updates include low friction main piston seals as well as low friction wiper and gland seals.

Notice: BayStar is not recommended for use in the following applications;

- Pontoon boats
- High speed Single Engine Boats, Such As Flats, Bass or Race/Ski Combination
- High Performance 150 Hp Engine

## Features

- Patented No FeedBack™ Steering lock valves
- 5 turns lock-to-lock
- Up to 150 horsepower (total)
- Available either as separate components or as a complete system ready to install
- Fixed cylinder
- Tilt option available
- Requires 3" (76mm) cut-out hole in dash
- Requires 21" (534mm) splashwell width



## Order Information

### DOMETIC BAYSTAR PLUS STEERING KIT

Helm	Cylinder	Hoses	Fluid (2 Bottles)
HH4514-3	HC4645-3	No Tube	HA5430

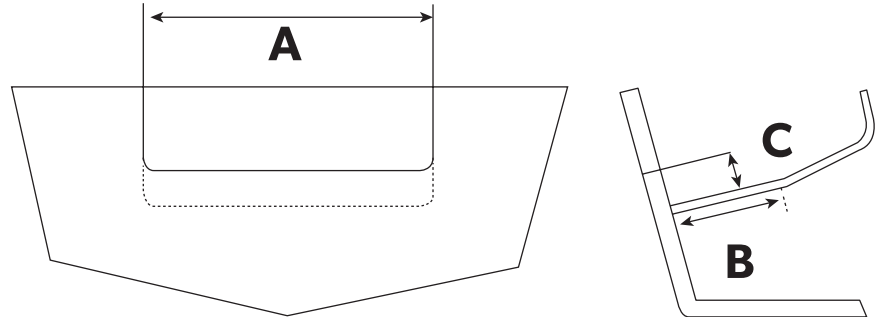
ONLY Dometic SeaStar/Baystar hose/tube recommended. ONLY Dometic SeaStar/Baystar Fluid recommended.

# FOR OUTBOARD BOATS UNDER 150 HP TOTAL.

## Technical Data

### Will it fit?

Is there enough room in the splashwell for full engine tilt? Find the dimensions (A, B & C) of your splashwell. Check them against the minimum splashwell dimensions for full engine tilt for your engine and cylinder.



No. of Engines	A	B	C	Min. Engine Center Distance
1	21" (534mm)	6" (153mm)	5" (127mm)	N/A

### NOTES:

- Ensure there is no interference between the BayStar cylinder rod (star board side) and the splashwell boot or engine controls & cables.
- Dimensional restrictions also apply to external motor mount brackets.
- Ensure dimension 'A' maintains 21" (813mm) through full trim/tilt range.
- Maximum transom thickness 3" (76mm).
- Engines less than 70HP may require up to an additional 1" (25mm) of splashwell clearance.

