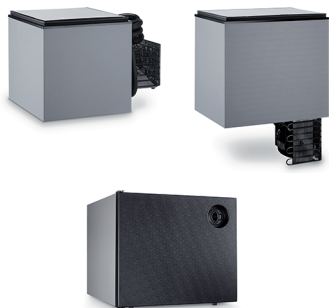
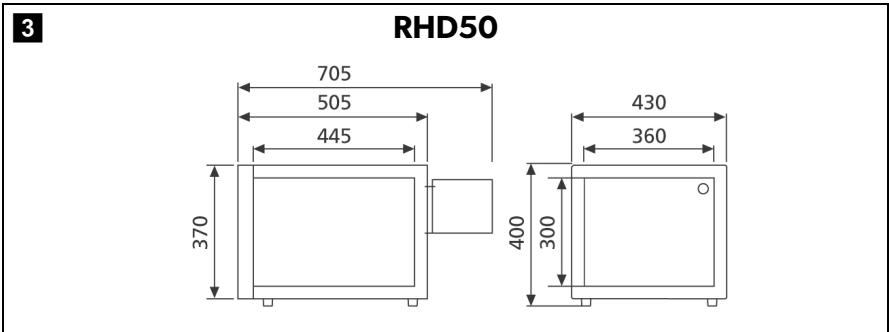
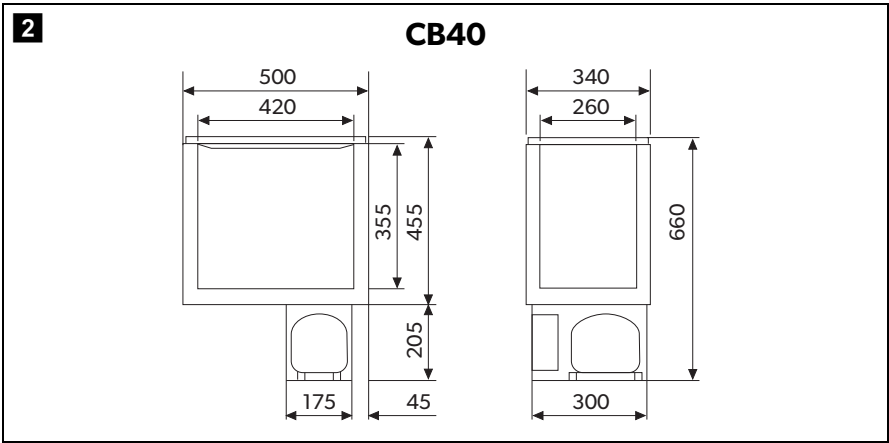
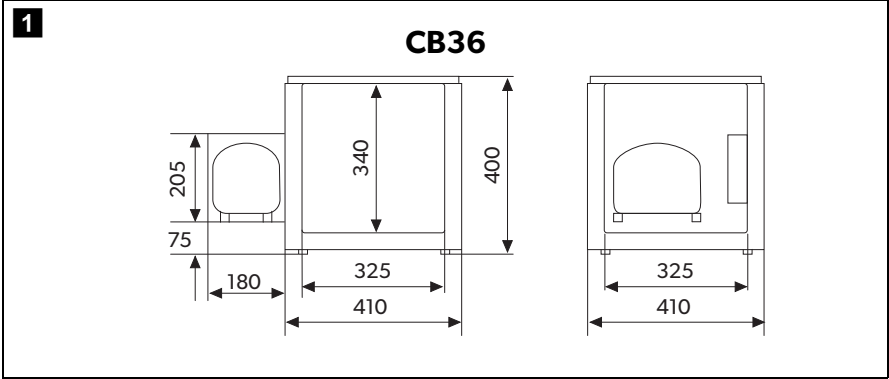


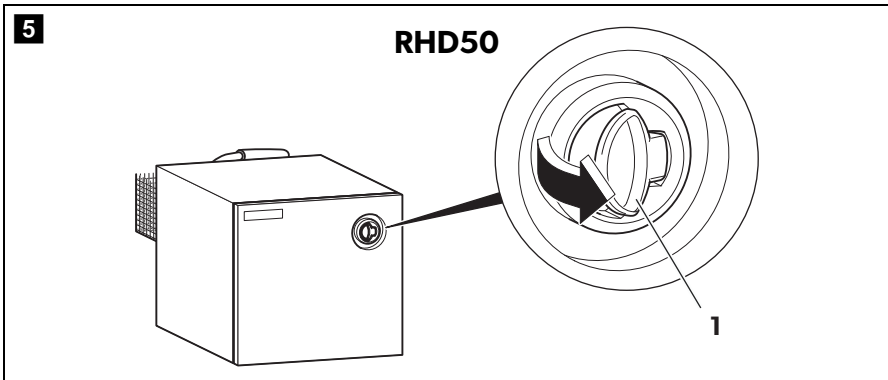
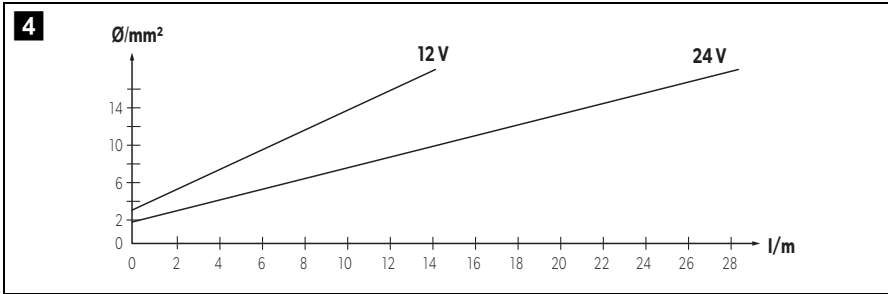
↗ DOMETIC REFRIGERATION COOLMATIC



CB36, CB40, RHD50

EN	Built-in cooling device with compressor	
	Operating manual	5
DE	Kompressor-Einbaukühlbox	
	Bedienungsanleitung	21
FR	Glacière à compression à encastrer	
	Notice d'utilisation	37
NL	Compressor-inbouwkoelbox	
	Gebruiksaanwijzing	54





Please read this instruction manual carefully before first use, and store it in a safe place. If you pass on the product to another person, hand over this instruction manual along with it.

Contents

1	Explanation of symbols	6
2	Safety instructions	6
3	Intended use	8
4	Scope of delivery	9
5	Accessory	9
6	Technical description	9
7	Installing and connecting the cooling device	10
8	Operation	12
9	Cleaning and maintenance	15
10	Guarantee	16
11	Disposal	16
12	Troubleshooting	17
13	Technical data	19

1 Explanation of symbols

**DANGER!**

Safety instruction: Failure to observe this instruction will cause fatal or serious injury.

**WARNING!**

Safety instruction: Failure to observe this instruction can cause fatal or serious injury.

**CAUTION!**

Safety instruction: Failure to observe this instruction can lead to injury.

**NOTICE!**

Failure to observe this instruction can cause material damage and impair the function of the product.

**NOTE**

Supplementary information for operating the product.

2 Safety instructions

The manufacturer accepts no liability for damage in the following cases:

- Damage to the product resulting from mechanical influences
- Alterations to the product without express permission from the manufacturer
- Use for purposes other than those described in the operating manual

2.1 General safety

**DANGER!****Danger of fatal injuries!**

When using the device on boats: if the device is powered by the mains, ensure that the power supply has a ground fault interrupter circuit.

**WARNING!**

- Before starting up the device for the first time, check whether the operating voltage and the battery voltage correspond (see type plate).

- If the connection cable is damaged, it must be replaced with the cable of the same type and specifications.
- Have a trained technician make installations in wet rooms.
- This device may only be repaired by qualified personnel. Inadequate repairs can lead to considerable hazards.
Should your device need to be repaired, please contact customer services.
- Check that the voltage specification on the type plate corresponds to that of the energy supply.
- Do not open the refrigerant circuit under any circumstances.
- Set up the device in a dry location where it is protected against splashing water.
- Do not place the device near naked flames or other heat sources (heaters, direct sunlight, gas ovens etc.).
- If you connect your cooling device to a battery, please remember that the battery contains acid.
- Make sure that the compressor is sufficiently ventilated.
- The cooling device is not suitable for transporting caustic materials or materials containing solvents.
- People (including children) whose physical, sensory or mental capacities or whose lack of experience or knowledge prevent them from using this product safely should not use it without the supervision or instruction of a responsible person.
- **Electronic devices are not toys.**
Always keep and use the device out of the reach of children.
- Food may only be stored in its original packaging or in suitable containers.
- Do not store any explosive substances, such as spray cans with propellants in the device.

2.2 Operating the device safely



DANGER!

Danger of fatal injuries!

Do not touch exposed cables with your bare hands. This especially applies when operating the device with an AC mains power supply.



WARNING!

- Do not place any electrical devices inside the cooling device.
- Defrost the device in good time to save energy.
- If you connect the device to a battery, make sure that food does not come into contact with the battery acid.
- Protect the device against rain and moisture.



NOTICE!

Disconnect the cooling device and other power consuming devices from the battery before connecting the battery to a quick charging device. Overvoltage can damage the electronics of the device.



NOTE

Disconnect the device if you are not going to use it for a long time.

3 Intended use

The cooling device is suitable for cooling and freezing (only CB36 and CB40) foodstuffs. The device is also suitable for use on boats.



CAUTION! Health hazard!

Please check if the cooling capacity of the device is suitable for storing the food or medicine you wish to cool.

4 Scope of delivery

Quantity	Description
1	Cooling device
1	Operating manual

5 Accessory

If you wish to operate the cooling device with a 230 V AC mains supply, please use one of the following rectifiers:

Description	Ref. no.
EPS-100W, rectifier (230 V: 24 V)	9600000440
MPS-35, rectifier (110 – 240 V: 24 V)	9600000445

6 Technical description

CoolMatic CB 36, CB40 and RHD 50 cooling devices are suitable for use with a 12 V or 24 V DC voltage and can therefore also be used for camping or on boats. You can also use the EPS-100W and MPS-35 rectifiers to connect them to a 230 V mains supply.

The cooling device can chill products and keep them cool. CoolMatic CB 36 and CB40 devices can also be used to freeze products.

All materials used in the cooling device are compatible for use with foodstuffs. The refrigerant circuit is maintenance-free.

You can use the continuously variable thermostat in the interior of the device to set the desired temperature.

The cooling device has a undervoltage protection mechanism. To protect the battery, the cooling device switches off automatically if the voltage is insufficient. When the voltage is sufficient again, it switches on again.

When used on boats the cooling device can be subjected to a constant inclination of 30°.

CoolMatic CB 36 and CB40 devices are equipped with a removable cooling unit that can be mounted separately.

7 Installing and connecting the cooling device

7.1 Installing the cooling device

The device is designed for ambient temperatures between 16 °C and 32 °C. In continuous operation, the air humidity may not exceed 90 %.

Install the cooling device in a dry, sheltered place (installation dimensions: fig. **1** to fig. **3**, page 3). Avoid installing the devices next to heat sources such as heaters, gas ovens, hot water pipes, etc.

The cooling device must be installed so that heated air from the cooling unit can dissipate easily. Therefore make sure there is adequate ventilation.

On the CoolMatic CB36, CB40 and RHD50 devices, the cooling unit is removable and can be mounted at a distance of up to 1.5 m (CB36, CB40, RHD50) away from the cooler if space is limited.

7.2 Adapting the decor (only CB36, CB40)

The lids of the devices can be adapted to match the decor of the surroundings.

7.3 Connecting the cooling device

Connecting to a battery

The cooling device can be operated with a 12 V to 24 V DC voltage supply.



NOTICE!

To avoid voltage loss and therefore a drop in performance, the cable should be kept as short as possible and should not be interrupted if this is possible.

For this reason avoid additional switches, plugs or power strips.

- Determine the required cross section of the cable in relation to the cable length according to fig. 4, page 4.

Key for fig. 4, page 4

Co-ordinate axis	Meaning	Unit
l	Cable length	m
∅	Cable cross section	mm ²



NOTICE!

Make sure that the polarity is correct.

- Connect the red lead to the positive terminal.
- Connect the black lead to earth.
- Before starting up the device for the first time, check whether the operating voltage and the battery voltage correspond (see type plate).
- Connect the cooling device
 - As directly as possible to the pole of the battery or
 - To a plug socket which is fused with at least 15 A (at 12 V) or 7.5 A (at 24 V).



NOTICE!

Disconnect the cooling device and other power consuming devices from the battery before connecting the battery to a quick charging device.

Overvoltage can damage the electronics of the device.

The cooling device is equipped with an electronic device to protect against reversing the polarity and short circuits when connecting to a battery.

To protect the battery, the cooling device switches off automatically if the voltage is insufficient (see table below).

	12 V	24 V
Switch-off voltage	10.4 V	22.8 V
Switch-on voltage	11.7 V	24.2 V

Connecting to 230 V mains supply



DANGER! Danger of fatal injuries!

- Never handle plugs and switches with wet hands or if you are standing in a puddle.
- If you are operating your cooling device on board a boat with a mains connection of 230 V from the land, you must install a ground protection circuit breaker between the 230 V mains supply and the cooling device.
Seek advice from a trained technician.

- ▶ To operate the cooler on a 230 V or 110–240 V mains supply, use the EPS-100W (230 V) or MPS-35 (110 – 240 V) rectifier.

8 Operation



NOTE

Before starting your new cooling device for the first time, you should clean it inside and outside with a damp cloth for hygienic reasons (please also refer to the chapter “Cleaning and maintenance” on page 15).

8.1 Energy saving tips

- Choose a well ventilated installation location which is protected against direct sunlight.
- Allow food to cool down first before placing it in the device.
- Do not open the cooling device more often than necessary.
- Do not leave the door or lid open for longer than necessary.
- Defrost the cooling device as soon as a layer of ice forms.
- Avoid unnecessarily low temperatures.
- Clean the condenser of dust impurities at regular intervals.
- Clean the lid seal regularly.

8.2 Using the cooling device

The cooling device conserves fresh foodstuffs. You can conserve frozen foodstuffs and freeze fresh foodstuffs in the CoolMatic CB36 and CB40 devices.



NOTICE!

Ensure that food or liquids in glass containers are not excessively refrigerated. Liquids expand when they freeze and can thus destroy the glass containers.

- Switch the cooling device on by turning the knob to the right.



NOTE

After switching on, the cooling device requires approx. 60 s until the compressor starts up.



NOTICE!

Ensure that the objects placed in the cooling device are suitable for cooling to the selected temperature.

Lock

RHD50

To open the cooling device, pull the clip (fig. **5** 1, page 4) and open the door.

To lock the cooling device, close the door and press it until the lock engages.

CB36/CB40

The lid rests on top and is not locked.

Setting the temperature

You can set the temperature to any level using the knob. The built-in temperature control regulates the temperature as follows:

- Min. (left limit) = warmest setting
- Max. (right limit) = coldest setting



NOTE

The cooling capacity can be influenced by

- the ambient temperature,
- the amount of food to be conserved,
- the frequency with which the door/lid is opened.

Conserving foodstuffs

You can conserve foodstuffs in the cooling device compartment. The time for which the food can be conserved in this way is usually stated on the package.



NOTICE!

Do not conserve **warm** food in the cooling device compartment. Do not place glass containers with liquid in the freezer compartment.



NOTE

Food which can easily absorb tastes and odours and liquids and products with a high alcohol content should be conserved in air-tight containers.

The cooling device compartment is divided in different zones with different temperatures:

- The colder zones are immediately over the base.
- Observe the temperature information and best before date on the food packaging.
- Observe the following when using the device:
 - Do not re-freeze products which are defrosting or have been defrosted, consume them as soon as possible.
 - Wrap food in aluminium foil or cling film and shut in in a suitable box with a lid. This ensures that aromas, the shape and the freshness are better conserved.

Defrosting the cooling device (only CB36, CB40)

Humidity can form frost in the interior of the cooling device or on the vaporiser. This reduces the cooling capacity. Defrost the device in good time to avoid this.



NOTICE!

Never use hard or pointed tools to remove ice or to loosen objects which have frozen in place.

To defrost the cooling device, proceed as follows:

- Take out the contents of the cooling device.
- Place them in another cooling device to keep them cool, if necessary.
- Set the knob to "0".
- Leave the cover open.

- Wipe off the defrosted water.

Switching off and storing the cooling device

If you do not intend to use the cooling device for a long time, proceed as follows:

- Turn the knob to "0".
- Disconnect the power cable from the battery or pull the DC cable plug out of the rectifier.
- Clean the cooling device (see chapter "Cleaning and maintenance" on page 15).
- Leave the lid or door open for to avoid unpleasant odours building up.

9 Cleaning and maintenance



WARNING!

Always disconnect the device from the power supply before you clean and service it.



NOTICE! Risk of damage

- Never clean the cooler under running water or in dish water.
- Do not use abrasive cleaning agents or hard objects during cleaning as these can damage the cooler.

- Occasionally clean the device interior and exterior with a damp cloth.
- Make sure that the air inlet and outlet vents on the device are free of any dust and dirt, so that heat can be released and the device is not damaged.
- Make sure that no water drips into the sealing. This can damage the electronics.
- Wipe the cooling device dry with a cloth after cleaning.

10 Guarantee

The statutory warranty period applies. If the product is defective, please contact the manufacturer's branch in your country (see the back of the instruction manual for the addresses) or your retailer.

For repair and guarantee processing, please include the following documents when you send in the device:

- A copy of the receipt with purchasing date
- A reason for the claim or description of the fault

11 Disposal



CAUTION!

When disposing of the device, make sure it is not overheated, as the insulating foam was made with flammable gas.

- Place the packaging material in the appropriate recycling waste bins wherever possible.



If you wish to finally dispose of the product, ask your local recycling centre or specialist dealer for details about how to do this in accordance with the applicable disposal regulations.

12 Troubleshooting

Compressor does not run

Fault	Possible cause	Remedy
$U_T = 0V$	The connection between the battery and the electronics is interrupted	Establish a connection
	Main switch defective (if installed)	Replace the main switch
	Additional supply line fuse has blown (if installed)	Replacing the fuse
$U_T \leq U_{ON}$	Battery voltage is too low	Charge the battery
Start attempt with $U_T \leq U_{OFF}$	Loose cables Poor contact (corrosion)	Establish a connection
	Battery capacity too low	Replace the battery
	Cable cross section too low	Replace the cable (fig. 4, page 4)
Start attempt with $U_T \geq U_{ON}$	Ambient temperature too high	–
	Insufficient ventilation	Move the cooling device
	Condenser is dirty	Clean the condenser
	Fan defective (if installed)	Replace the fan

U_T Voltage between the positive and negative electronic terminals

U_{ON} Switch-on voltage of the electronics

U_{OFF} Switch-off voltage of the electronics

Interior temperature too low in control setting “1”

Fault	Possible cause	Remedy
Compressor runs constantly	Thermostat sensor has no contact to the vaporiser	Secure the sensor
	Thermostat defective	Change the thermostat
	Short circuit in the thermostat line	
Compressor runs for a long time	A large amount has frozen solid in the device (only CB36, CB40)	–

Cooling capacity drops, interior temperature rises

Fault	Possible cause	Remedy
Compressor runs for a long time/continuously	Vaporiser iced over	Defrost the vaporiser
	Ambient temperature too high	–
	Insufficient ventilation	Move the cooling device
	Condenser is dirty	Clean the condenser
	Fan defective (if installed)	Replace the fan
Compressor runs infrequently	Battery capacity exhausted	Charge the battery

Unusual noises

Fault	Possible cause	Remedy
Loud humming	A component of the refrigerant circuit cannot move freely (lies against the wall)	Bend the component carefully
	Foreign body jammed between the cooling device and the wall	Remove the foreign body
	Fan noise (if installed)	–

13 Technical data

CoolMatic CB36, CB40 and RHD50 cooling devices all have the following features:

- Connection voltage 12 V DC or 24 V DC
- Relative humidity: maximum 90 %
- Short-term inclination: max. 30°

	CB36	CB40
Capacity:	36 l	40 l
Power consumption:	45 W	45 W
Cooling temperature range:	+10 °C to -12 °C	
Coolant quantity:	60 g	
CO2 equivalent:	0.086 t	
Global warming potential (GWP):	1430	
Climatic class:	N	
Dimensions (WxHxD) in mm (with compressor):	fig. 1 , page 3	fig. 2 , page 3
Weight:	17 kg	19 kg

	RHD50
Capacity:	50 l
Power consumption:	45 W
Cooling temperature range:	+10 °C to +2 °C
Coolant quantity:	35 g
CO2 equivalent:	0.05 t
Global warming potential (GWP):	1430
Climatic class:	N
Dimensions (WxHxD) in mm (with compressor):	fig. 3 , page 3
Weight:	20 kg

Test/certificates

The coolant circuit contains R134a.

Contains fluorinated greenhouse gases

Hermetically sealed equipment

Complies with ErP/EuP directive.

Bitte lesen Sie diese Anleitung vor der Inbetriebnahme sorgfältig durch und bewahren Sie sie auf. Geben Sie sie im Falle einer Weitergabe des Produktes an den Nutzer weiter.

Inhaltsverzeichnis

1	Erklärung der Symbole	22
2	Sicherheitshinweise	22
3	Bestimmungsgemäßer Gebrauch	24
4	Lieferumfang	25
5	Zubehör	25
6	Technische Beschreibung	25
7	Kühlgerät einbauen und anschließen.	26
8	Bedienung	28
9	Reinigung und Pflege	31
10	Gewährleistung	32
11	Entsorgung	32
12	Störungen beseitigen	33
13	Technische Daten	35

1 Erklärung der Symbole



GEFAHR!

Sicherheitshinweis: Nichtbeachtung führt zu Tod oder schwerer Verletzung.



WARNUNG!

Sicherheitshinweis: Nichtbeachtung kann zu Tod oder schwerer Verletzung führen.



VORSICHT!

Sicherheitshinweis: Nichtbeachtung kann zu Verletzungen führen.



ACHTUNG!

Nichtbeachtung kann zu Materialschäden führen und die Funktion des Produktes beeinträchtigen.



HINWEIS

Ergänzende Informationen zur Bedienung des Produktes.

2 Sicherheitshinweise

Der Hersteller übernimmt in folgenden Fällen keine Haftung für Schäden:

- Beschädigungen am Produkt durch mechanische Einflüsse
- Veränderungen am Produkt ohne ausdrückliche Genehmigung vom Hersteller
- Verwendung für andere als die in der Anleitung beschriebenen Zwecke

2.1 Allgemeine Sicherheit



GEFAHR!

Lebensgefahr!

Beim Einsatz auf Booten: Sorgen Sie bei Netzbetrieb unbedingt dafür, dass Ihre Stromversorgung über einen FI-Schalter abgesichert ist!



WARNUNG!

- Kontrollieren Sie vor Inbetriebnahme des Gerätes, ob die Betriebsspannung und die Batteriespannung übereinstimmen (siehe Typenschild).

- Wenn das Anschlusskabel beschädigt ist, müssen Sie es durch ein Kabel desselben Typs und derselben Spezifikation ersetzen.
- Lassen Sie Installationen in Feuchträumen nur vom Fachmann verlegen.
- Reparaturen an diesem Gerät dürfen nur von Fachkräften durchgeführt werden. Durch unsachgemäße Reparaturen können erhebliche Gefahren entstehen.
Wenden Sie sich im Reparaturfall an den Kundendienst.
- Vergleichen Sie die Spannungsangabe auf dem Typenschild mit der vorhandenen Energieversorgung.
- Öffnen Sie auf keinen Fall den Kühlkreislauf.
- Stellen Sie das Gerät an einem trockenen und gegen Spritzwasser geschützten Platz auf.
- Stellen Sie das Gerät nicht in der Nähe von offenen Flammen oder anderen Wärmequellen (Heizung, starke Sonneneinstrahlung, Gasöfen usw.) ab.
- Wenn Sie Ihr Kühlgerät an eine Batterie anschließen, denken Sie daran, dass die Batterie Säure enthält!
- Achten Sie darauf, dass der Kompressor ausreichend belüftet ist.
- Das Kühlgerät ist nicht geeignet für den Transport ätzender oder lösungsmittelhaltiger Stoffe!
- Personen (einschließlich Kinder), die aufgrund ihrer physischen, sensorischen oder geistigen Fähigkeiten oder ihrer Unerfahrenheit oder Unkenntnis nicht in der Lage sind, das Produkt sicher zu benutzen, sollten dieses Produkt nicht ohne Aufsicht oder Anweisung durch eine verantwortliche Person nutzen.
- **Elektrogeräte sind kein Kinderspielzeug!**
Verwahren und benutzen Sie das Gerät außerhalb der Reichweite von Kindern.
- Lebensmittel dürfen nur in Originalverpackungen oder geeigneten Behältern eingelagert werden.
- Lagern Sie keine explosionsfähigen Substanzen wie z. B. Sprühdosen mit Treibgas im Gerät.

2.2 Sicherheit beim Betrieb des Gerätes



GEFAHR! **Lebensgefahr!**

Fassen Sie nie mit bloßen Händen an blanke Leitungen. Dies gilt vor allem beim Betrieb am Wechselstromnetz.



WARNUNG!

- Im Inneren des Kühlgerätes dürfen keine elektrischen Geräte eingesetzt werden.
- Tauen Sie das Gerät rechtzeitig ab, um Energie zu sparen.
- Wenn Sie das Gerät an eine Batterie anschließen, stellen Sie sicher, dass Lebensmittel nicht mit Batteriesäure in Berührung kommen.
- Schützen Sie das Gerät vor Regen und Feuchtigkeit.



ACHTUNG!

Klemmen Sie das Gerät und andere Verbraucher von der Batterie ab, bevor Sie die Batterie mit einem Schnellladegerät aufladen. Überspannungen können die Elektronik der Geräte beschädigen.



HINWEIS

Klemmen Sie das Gerät ab, wenn Sie es lange nicht brauchen.

3 Bestimmungsgemäßer Gebrauch

Das Kühlgerät eignet sich zum Kühlen und Tiefkühlen (nur CB36 und CB40) von Lebensmitteln. Das Gerät ist auch für den Betrieb auf Booten geeignet.



VORSICHT! Gesundheitsgefahr!

Prüfen Sie bitte, ob die Kühlleistung des Gerätes den Anforderungen der Lebensmittel oder Medikamente entspricht, die Sie kühlen wollen.

4 Lieferumfang

Menge	Bezeichnung
1	Kühlgerät
1	Bedienungsanleitung

5 Zubehör

Falls Sie Ihr Kühlgerät am 230-V-Wechselstromnetz betreiben wollen, verwenden Sie bitte einen der folgenden Gleichrichter:

Bezeichnung	Artikel-Nr.
EPS-100W, Gleichrichter (230 V: 24 V)	9600000440
MPS-35, Gleichrichter (110 – 240 V: 24 V)	9600000445

6 Technische Beschreibung

CoolMatic Kühlgeräte CB36, CB40 und RHD50 sind geeignet für den Einsatz an einer Gleichspannung von 12 V oder 24 V und können somit z. B. auch beim Camping oder auf Booten eingesetzt werden. Außerdem können sie über die Gleichrichter EPS-100W und MPS-35 an ein 230-V-Netz angeschlossen werden.

Das Kühlgerät kann Waren abkühlen und kühl halten. In CoolMatic CB36 und CB40 können Waren tiefgekühlt werden.

Alle im Kühlgerät verwendeten Materialien sind unbedenklich für Lebensmittel. Der Kühlkreislauf ist wartungsfrei.

Über einen Temperaturregler im Innenraum des Geräts kann die gewünschte Temperatur stufenlos eingestellt werden.

Das Kühlgerät verfügt über einen Unterspannungsschutz. Zum Schutz der Batterie schaltet sich das Kühlgerät automatisch ab, wenn die Spannung nicht ausreicht. Bei ausreichender Spannung schaltet es sich wieder ein.

Beim Einsatz auf Booten kann das Kühlgerät einer Dauer-Krängung von 30° ausgesetzt werden.

CoolMatic CB36 und CB40 sind mit einem abnehmbaren und separat montierbaren Aggregat ausgestattet.

7 Kühlgerät einbauen und anschließen

7.1 Kühlgerät einbauen

Das Gerät ist für Umgebungstemperaturen zwischen 16 °C und 32 °C vorgesehen. Im Dauerbetrieb darf die Luftfeuchtigkeit nicht über 90 % liegen.

Bauen Sie das Kühlgerät an einen trockenen, geschützten Platz ein (Einbaumaße: Abb. **1** bis Abb. **3**, Seite 3). Vermeiden Sie das Einbauen neben Wärmequellen wie Heizungen, Gasöfen, Warmwasserleitungen etc.

Das Kühlgerät muss so eingebaut sein, dass die erwärmte Luft vom Kühlaggregat gut abziehen kann. Stellen Sie daher eine ausreichende Belüftung sicher.

Bei CoolMatic CB 36, CB 40 und RHD 50 ist das Kühlaggregat abnehmbar und kann bei Platzproblemen bis zu 1,5 m (CB 36, CB 40, RHD 50) entfernt von der Kühlbox montiert werden.

7.2 Dekor anpassen (nur CB 36, CB 40)

Die Deckel der Geräte lassen sich mit dem Dekor Ihrer Einrichtung versehen.

7.3 Kühlgerät anschließen

An eine Batterie anschließen

Das Kühlgerät kann mit 12 V oder mit 24 V Gleichspannung betrieben werden.



ACHTUNG!

Um Spannungs- und Leistungsverluste zu vermeiden, sollte das Kabel möglichst kurz und nicht unterbrochen sein.

Vermeiden Sie deshalb zusätzliche Schalter, Stecker oder Verteilerdosen.

- Bestimmen Sie den notwendigen Querschnitt des Kabels in Abhängigkeit von der Kabellänge gemäß Abb. **4**, Seite 4.

Legende zu Abb. **4**, Seite 4

Koordinatenachse	Bedeutung	Einheit
l	Kabellänge	m
∅	Kabelquerschnitt	mm ²

**ACHTUNG!**

Beachten Sie die richtige Polarität.

- Schließen Sie die rote Leitung am Pluspol an.
- Schließen Sie die schwarze Leitung an Masse an.
- Kontrollieren Sie vor Inbetriebnahme des Gerätes, ob die Betriebsspannung und die Batteriespannung übereinstimmen (siehe Typenschild).
- Schließen Sie Ihr Kühlgerät
 - möglichst direkt an die Pole der Batterie an oder
 - an einen Steckplatz an, der mit mindestens 15 A (bei 12 V) bzw. 7,5 A (bei 24 V) abgesichert ist.

**ACHTUNG!**

Klemmen Sie das Gerät und andere Verbraucher von der Batterie ab, bevor Sie die Batterie mit einem Schnellladegerät aufladen. Überspannungen können die Elektronik der Geräte beschädigen.

Ein elektronischer Verpolungsschutz schützt das Kühlgerät gegen Verpolung beim Batterieanschluss und Kurzschluss. Zum Schutz der Batterie schaltet sich das Kühlgerät automatisch ab, wenn die Spannung nicht mehr ausreicht (siehe folgende Tabelle).

	12 V	24 V
Ausschaltspannung	10,4 V	22,8 V
Wiedereinschaltspannung	11,7 V	24,2 V

An ein 230-V-Netz anschließen**GEFAHR! Lebensgefahr!**

- Hantieren Sie nie mit Steckern und Schaltern, wenn Sie nasse Hände haben oder mit den Füßen in der Nässe stehen.
 - Wenn Sie Ihr Kühlgerät an Bord eines Bootes per Landanschluss am 230-V-Netz betreiben, müssen Sie auf jeden Fall einen FI-Schutzschalter zwischen 230-V-Netz und Kühlgerät schalten. Lassen Sie sich von einem Fachmann beraten.
- Um das Kühlgerät am 230-V- oder am 110 – 240-V-Netz zu betreiben, verwenden Sie den Gleichrichter EPS-100W (230 V) oder MPS-35 (110 – 240-V).

8 Bedienung



HINWEIS

Bevor Sie das neue Kühlgerät in Betrieb nehmen, sollten Sie es aus hygienischen Gründen innen und außen mit einem feuchten Tuch reinigen (siehe auch Kapitel „Reinigung und Pflege“ auf Seite 31).

8.1 Tipps zum Energiesparen

- Wählen Sie einen gut belüfteten und vor Sonnenstrahlen geschützten Einsatzort.
- Lassen Sie warme Speisen erst abkühlen, bevor Sie sie im Kühlgerät kühl halten.
- Öffnen Sie das Kühlgerät nicht häufiger als nötig.
- Lassen Sie das Kühlgerät nicht länger offen als nötig.
- Tauen Sie das Kühlgerät ab, sobald sich eine Eisschicht gebildet hat.
- Vermeiden Sie eine unnötig tiefe Innentemperatur.
- Befreien Sie den Kondensator in regelmäßigen Abständen von Staub und Verunreinigungen.
- Reinigen Sie regelmäßig die Deckeldichtung.

8.2 Kühlgerät benutzen

Das Kühlgerät ermöglicht die Konservierung von frischen Nahrungsmitteln. In CoolMatic CB36 und CB40 können Sie außerdem tiefgekühlte Lebensmittel konservieren und frische Nahrungsmittel einfrieren.



ACHTUNG!

Achten Sie darauf, dass Sie Getränke oder Speisen in Glasbehältern nicht zu stark abkühlen. Beim Gefrieren dehnen sich Getränke oder flüssige Speisen aus. Dadurch können die Glasbehälter zerstört werden.

- Schalten Sie das Kühlgerät ein, indem Sie den Regler nach rechts drehen.



HINWEIS

Nach dem Einschalten benötigt das Kühlgerät etwa 60 s, bis der Kompressor anläuft.



ACHTUNG!

Achten Sie darauf, dass sich nur Gegenstände bzw. Waren im Kühlgerät befinden, die auf die gewählte Temperatur gekühlt werden dürfen.

Verschluss

RHD50

Um das Kühlgerät zu öffnen, ziehen Sie an der Lasche (Abb. **5** 1, Seite 4) und öffnen die Tür.

Um das Kühlgerät zu verriegeln, drücken Sie die Tür zu, bis die Verriegelung einrastet.

CB36/CB40

Der Deckel liegt auf und wird nicht verriegelt.

Temperatur einstellen

Sie können die Temperatur stufenlos über den Regler einstellen. Der integrierte Temperaturregler reguliert die Temperatur folgendermaßen:

- min. (Linksanschlag) = wärmste Einstellung
- max. (Rechtsanschlag) = kälteste Einstellung



HINWEIS

Die Kühlleistung kann beeinflusst werden von

- der Umgebungstemperatur,
- der Menge der zu konservierenden Lebensmittel,
- der Häufigkeit der Tür-/Deckelöffnungen.

Lebensmittel konservieren

Sie können im Kühlfach Lebensmittel konservieren. Die Konservierungszeit der Lebensmittel ist normalerweise auf der Packung angegeben.



ACHTUNG!

Konservieren Sie keine **warmen** Lebensmittel im Kühlfach.
Stellen Sie keine Glasbehälter mit Flüssigkeiten in das Gefrierfach.



HINWEIS

Konservieren Sie Lebensmittel, die leicht Gerüche und Geschmäcke aufnehmen, sowie Flüssigkeiten und Produkte mit hohem Alkoholgehalt in dichten Behältern.

Das Kühlfach unterteilt sich in verschiedene Zonen, die unterschiedliche Temperaturen aufweisen:

- Die kälteren Zonen befinden sich unmittelbar über dem Boden.
- Beachten Sie Temperatur- und Haltbarkeitsangaben auf den Verpackungen Ihrer Lebensmittel.

- Beachten Sie folgende Hinweise beim Konservieren:
- Frieren Sie Produkte, die gerade auftauen oder aufgetaut wurden, keinesfalls wieder ein, sondern brauchen Sie diese baldmöglichst auf.
- Wickeln Sie die Lebensmittel in Aluminium- bzw. Polyäthylenfolien und schließen Sie sie in entsprechende Behälter mit Deckel. Dadurch werden die Aromen, die Substanz und die Frische besser konserviert.

Kühlgerät abtauen (nur CB 36, CB40)

Luftfeuchtigkeit kann sich am Verdampfer oder im Innenraum des Kühlgeräts als Reif niederschlagen, der die Kühlleistung verringert. Tauen Sie das Gerät rechtzeitig ab.



ACHTUNG!

Verwenden Sie nie harte oder spitze Werkzeuge zum Entfernen von Eisschichten oder zum Lösen festgefrorener Gegenstände.

Gehen Sie wie folgt vor, um das Kühlgerät abzutauen:

- Nehmen Sie das Kühlgut heraus.
- Lagern Sie es ggf. in einem anderen Kühlgerät, damit es kalt bleibt.
- Stellen Sie den Regler auf „0“.
- Lassen Sie den Deckel offen.
- Wischen Sie das Tauwasser auf.

Kühlgerät ausschalten und stilllegen

Wenn Sie das Kühlgerät für längere Zeit stilllegen wollen, gehen Sie wie folgt vor:

- Drehen Sie den Regler auf Stufe „0“.
- Klemmen Sie die Anschlusskabel von der Batterie ab oder ziehen Sie den Stecker der Gleichstromleitung aus dem Gleichrichter.
- Reinigen Sie das Kühlgerät (siehe Kapitel „Reinigung und Pflege“ auf Seite 31).
- Lassen Sie den Deckel oder die Tür zur Vermeidung von Geruchsbildung leicht geöffnet.

9 Reinigung und Pflege

**WARNUNG!**

Trennen Sie vor jeder Reinigung und Pflege das Kühlgerät von der Stromversorgung.

**ACHTUNG! Beschädigungsgefahr!**

- Reinigen Sie das Kühlgerät niemals unter fließendem Wasser oder gar im Spülwasser.
- Verwenden Sie zur Reinigung keine scharfen Reinigungsmittel oder harten Gegenstände, da diese das Kühlgerät beschädigen können.

- Reinigen Sie das Kühlgerät innen und außen gelegentlich mit einem feuchten Tuch.
- Stellen Sie sicher, dass die Be- und Entlüftungsöffnungen des Kühlgerätes frei von Staub und Verunreinigungen sind, damit die beim Betrieb entstehende Wärme abgeführt werden kann und das Kühlgerät keinen Schaden nimmt.
- Achten Sie darauf, dass kein Wasser in die Dichtungen tropft. Dies kann die Elektronik beschädigen.
- Wischen Sie das Kühlgerät nach dem Reinigen mit einem Tuch trocken.

10 Gewährleistung

Es gilt die gesetzliche Gewährleistungsfrist. Sollte das Produkt defekt sein, wenden Sie sich bitte an die Niederlassung des Herstellers in Ihrem Land (Adressen siehe Rückseite der Anleitung) oder an Ihren Fachhändler.

Zur Reparatur- bzw. Gewährleistungsbearbeitung müssen Sie folgende Unterlagen mitschicken:

- eine Kopie der Rechnung mit Kaufdatum,
- einen Reklamationsgrund oder eine Fehlerbeschreibung.

11 Entsorgung



VORSICHT!

Beachten Sie bei der Entsorgung, dass das Gerät nicht überhitzt wird, da der Isolierschaum mit brennbarem Gas aufgeschäumt wurde.

- Geben Sie das Verpackungsmaterial möglichst in den entsprechenden Recycling-Müll.



Wenn Sie das Produkt endgültig außer Betrieb nehmen, informieren Sie sich bitte beim nächsten Recyclingcenter oder bei Ihrem Fachhändler über die zutreffenden Entsorgungsvorschriften.

12 Störungen beseitigen

Kompressor läuft nicht

Störung	Mögliche Ursache	Lösung
$U_{KL} = 0\text{ V}$	Unterbrechung in der Anschlussleitung Batterie – Elektronik	Verbindung herstellen
	Hauptschalter defekt (falls vorhanden)	Hauptschalter wechseln
	Zusätzliche Leitungsabsicherung durchgebrannt (falls vorhanden)	Leitungsabsicherung wechseln
$U_{KL} \leq U_{EIN}$	Batteriespannung zu niedrig	Batterie laden
Startversuch mit $U_{KL} \leq U_{AUS}$	Lose Kabelverbindung Schlechter Kontakt (Korrosion)	Verbindung herstellen
	Batteriekapazität zu gering	Batterie wechseln
	Kabelquerschnitt zu gering	Kabel wechseln (Abb. 4, Seite 4)
Startversuch mit $U_{KL} \geq U_{EIN}$	Umgebungstemperatur zu hoch	–
	Be- und Entlüftung nicht ausreichend	Kühlgerät umstellen
	Kondensator verschmutzt	Kondensator reinigen
	Lüfter defekt (falls vorhanden)	Lüfter wechseln

U_{KL} Spannung zwischen Plus- und Minusklemme der Elektronik

U_{EIN} Einschaltspannung Elektronik

U_{AUS} Ausschaltspannung Elektronik

Innentemperatur zu kalt in Regler-Stufe „1“

Störung	Mögliche Ursache	Lösung
Kompressor läuft dauernd	Thermostat-Fühler hat keinen Kontakt am Verdampfer	Fühler befestigen
	Thermostat defekt	Thermostat wechseln
	Kurzschluss in Thermostatleitung	
Kompressor läuft lange	Im Gerät wurde eine größere Menge eingefroren (nur CB36, CB40)	–

Kühlleistung lässt nach, Innentemperatur steigt

Störung	Mögliche Ursache	Lösung
Kompressor läuft lange/dauernd	Verdampfer vereist	Verdampfer abtauen
	Umgebungstemperatur zu hoch	–
	Be- und Entlüftung nicht ausreichend	Kühlgerät umstellen
	Kondensator verschmutzt	Kondensator reinigen
	Lüfter defekt (falls vorhanden)	Lüfter wechseln
Kompressor läuft selten	Batteriekapazität erschöpft	Batterie laden

Ungewöhnliche Geräusche

Störung	Mögliche Ursache	Lösung
Lautes Brummen	Bauteil des Kältekreislaufes kann nicht frei schwingen (liegt an Wandung an)	Bauteil vorsichtig abbiegen
	Fremdkörper zwischen Kühlmaschine und Wand eingeklemmt	Fremdkörper entfernen
	Lüftergeräusch (falls vorhanden)	–

13 Technische Daten

CoolMatic Kühlgeräte CB 36, CB40 und RHD50 haben alle folgende Merkmale:

- Anschlussspannung 12 V DC oder 24 V DC
- Luftfeuchtigkeit: maximal 90 %
- Kurzzeitige Krängung: maximal 30°

	CB36	CB40
Inhalt:	36 l	40 l
Leistungsaufnahme:	45 W	45 W
Kühltemperaturbereich	+10 °C bis -12 °C	
Kühlmittelmenge:	60 g	
CO ₂ -Äquivalent:	0,086 t	
Treibhauspotential (GWP):	1430	
Klimaklasse:	N	
Abmessungen (B x H x T) in mm (mit Kompressor):	Abb. 1 , Seite 3	Abb. 2 , Seite 3
Gewicht:	17 kg	19 kg

	RHD50
Inhalt:	50 l
Leistungsaufnahme:	45 W
Kühltemperaturbereich	+10 °C bis +2 °C
Kühlmittelmenge:	35 g
CO ₂ -Äquivalent:	0,05 t
Treibhauspotential (GWP):	1430
Klimaklasse:	N
Abmessungen (B x H x T) in mm (mit Kompressor):	Abb. 3 , Seite 3
Gewicht:	20 kg

Prüfung/Zertifikate

Der Kühlkreis enthält R134a.

Enthält fluorierte Treibhausgase

Hermetisch geschlossene Einrichtung

Konform gemäß ErP/EuP-Richtlinie.

Veillez lire ce manuel attentivement avant de mettre l'appareil en service et conservez-le. En cas de passer le produit, veuillez le transmettre au nouvel acquéreur.

Table des matières

1	Explication des symboles	38
2	Consignes de sécurité	38
3	Usage conforme	40
4	Pièces fournies	41
5	Accessoires	41
6	Description technique	41
7	Montage et raccordement du réfrigérateur	42
8	Utilisation	44
9	Nettoyage et entretien	48
10	Garantie	49
11	Retraitement	49
12	Guide de dépannage	50
13	Caractéristiques techniques	52

1 Explication des symbols

**DANGER !**

Consigne de sécurité : le non-respect de ces consignes entraîne la mort ou de graves blessures.

**AVERTISSEMENT !**

Consigne de sécurité : le non-respect de ces consignes peut entraîner la mort ou de graves blessures.

**ATTENTION !**

Consigne de sécurité : le non-respect de ces consignes peut entraîner des blessures.

**AVIS !**

Le non-respect de ces consignes peut entraîner des dommages matériels et des dysfonctionnements du produit.

**REMARQUE**

Informations complémentaires sur l'utilisation du produit.

2 Consignes de sécurité

Le fabricant décline toute responsabilité pour des dommages dans les cas suivants :

- des influences mécaniques ayant endommagé le matériel
- des modifications apportées au produit sans autorisation explicite de la part du fabricant
- une utilisation différente de celle décrite dans la notice

2.1 Sécurité générale

**DANGER !****Danger de mort !**

En cas d'utilisation sur des bateaux : Veillez à ce que votre alimentation électrique soit sécurisée par un disjoncteur différentiel si l'appareil est branché sur le secteur !

**AVERTISSEMENT !**

- Avant de mettre l'appareil en service, vérifiez que la tension de service et la tension de la batterie sont identiques (voir plaque signalétique).
- Si le câble de raccordement est endommagé, vous devez le remplacer par un câble de même type et de même spécification.
- Seul un spécialiste doit procéder à l'installation dans des endroits humides.
- Seul un personnel qualifié est habilité à effectuer des réparations sur cet appareil. Toute réparation mal effectuée risquerait d'entraîner de sérieux dangers.
Si des réparations sont nécessaires, adressez-vous au service après-vente.
- Comparez la tension indiquée sur la plaque signalétique avec l'alimentation électrique dont vous disposez.
- Ne jamais ouvrir le circuit frigorifique.
- Installez l'appareil dans un endroit sec et à l'abri des éclaboussures d'eau.
- Ne placez pas l'appareil près de flammes ou d'autres sources de chaleur (chauffage, rayons solaires, fours à gaz, etc.).
- Lorsque vous raccordez votre appareil à une batterie, veuillez considérer le fait que cette batterie contient des acides !
- Veillez à ce que le compresseur soit suffisamment aéré.
- N'utilisez pas le réfrigérateur pour le transport de produits corrosifs ou de solvants !
- Ne laissez pas des personnes (enfants compris) incapables d'utiliser le produit de manière sûre, en raison de déficiences physiques, sensorielles ou mentales ou de leur manque d'expérience ou de connaissances, utiliser ce produit sans surveillance.
- **Les appareils électriques ne sont pas des jouets pour enfants !**
Placez et utilisez l'appareil hors de la portée des enfants.
- Les aliments ne peuvent être conservés que dans leurs emballages originaux ou dans des récipients appropriés.
- Ne stockez aucune substance explosive comme p. ex. des aérosols contenant des agents propulseurs dans l'appareil.

2.2 Consignes de sécurité concernant l'utilisation de l'appareil



DANGER !

Danger de mort !

Ne touchez jamais les lignes électriques dénudées avec les mains nues. Cela est surtout valable en cas de fonctionnement sur secteur.



AVERTISSEMENT !

- Aucun appareil électrique ne doit être utilisé à l'intérieur du réfrigérateur !
- Dégivrez l'appareil en temps utile, afin d'économiser de l'énergie.
- Lorsque vous raccordez l'appareil à une batterie, assurez-vous que les aliments ne soient pas en contact avec les acides de la batterie.
- Protégez l'appareil de la pluie et de l'humidité.



AVIS !

Débranchez l'appareil et les autres consommateurs d'énergie de la batterie avant de recharger la batterie avec un chargeur rapide. Les surtensions peuvent endommager l'électronique des appareils.



REMARQUE

Débranchez l'appareil uniquement lorsque vous savez que vous ne l'utiliserez pas pendant une période prolongée.

3 Usage conforme

Le réfrigérateur est conçu pour la réfrigération et la congélation (sur les modèles CB 36 et CB 40 seulement) d'aliments. L'appareil peut également être utilisé sur des bateaux.



ATTENTION ! Risque pour la santé !

Veuillez vérifier si la puissance frigorifique de l'appareil correspond à la température de conservation recommandée pour les aliments ou les médicaments que vous souhaitez refroidir.

4 Pièces fournies

Quantité	Désignation
1	Glacière
1	Notice d'utilisation

5 Accessoires

Si vous souhaitez faire fonctionner votre réfrigérateur sur secteur à courant alternatif 230 V, veuillez utiliser l'un des redresseurs suivants :

Désignation	N° d'article
EPS-100W, redresseur (230 V : 24 V)	9600000440
MPS-35, redresseur (110–240 V : 24 V)	9600000445

6 Description technique

Les réfrigérateurs CoolMatic CB36, CB40 et RHD50 sont conçus pour une utilisation sous tension de 12 V ou 24 V et peuvent donc être utilisés par ex. en camping ou sur des bateaux. De plus, le redresseur EPS-100 W et MPS-35 permet de les raccorder à la tension du secteur 230 V.

Le réfrigérateur permet de réfrigérer et tenir au frais des denrées alimentaires. Les modèles CoolMatic CB36 et CB40 permettent la congélation de produits.

Tous les matériaux utilisés lors de la construction de la glacière n'altèrent pas la qualité des aliments. Le circuit de refroidissement ne requiert pas d'entretien.

Un régulateur de température situé dans le compartiment intérieur de l'appareil permet de sélectionner la température désirée.

Le réfrigérateur dispose d'une protection contre arrêt sous-tension. Pour protéger la batterie, le réfrigérateur s'éteint automatiquement lorsque la tension est insuffisante. Si la tension est suffisante, il se rallume automatiquement.

En cas d'utilisation sur les bateaux, le réfrigérateur peut supporter un angle de gîte permanent de 30°.

Les modèles CoolMatic CB36 et CB40 sont équipés d'un groupe frigorifique amovible et pouvant être monté séparément.

7 Montage et raccordement du réfrigérateur

7.1 Montage du réfrigérateur

Cet appareil est conçu pour une utilisation à une température variant entre 16 °C et 32 °C. S'il fonctionne de manière continue, l'humidité de l'air ne doit pas dépasser 90 %.

Installez le réfrigérateur dans un endroit sec et protégé (cotes de montage : fig. **1** à fig. **3**, page 3). Évitez de monter l'appareil à proximité de sources de chaleur telles que des chauffages, des fours à gaz, des conduites d'eau chaude, etc.

Le réfrigérateur doit être monté de manière à ce que l'air réchauffé puisse être facilement évacué du groupe frigorifique. Veillez à ce que la ventilation soit suffisante.

Sur les modèles CoolMatic CB36, CB40 et RHD50 le groupe frigorifique est amovible et peut, en cas de problèmes liés à l'espace, être monté dans un périmètre de 1,5 m de la glacière (CB36, CB40, RHD50).

7.2 Adaptation à la décoration (sur les modèles CB36, CB40 uniquement)

Les couvercles des appareils peuvent être recouverts d'un habillage assorti à votre aménagement.

7.3 Raccordement du réfrigérateur

Raccordement à une batterie

Le réfrigérateur peut fonctionner sur tension continue de 12 V ou de 24 V.



AVIS !

Pour éviter des pertes de tension et de puissance frigorifique, le câble doit être le plus court possible et ne peut être interrompu. Évitez donc de placer des interrupteurs, des connecteurs ou des répartiteurs supplémentaires.

- A l'aide de fig. **4**, page 4, déterminez le diamètre nécessaire du câble en fonction de sa longueur.

Légende de fig. **4**, page 4

Axe des coordonnées	Signification	Unité
l	Longueur du câble	m
∅	Diamètre du câble	mm ²



AVIS !

Tenez compte de la polarité.

- Raccordez le câble rouge au pôle positif.
- Raccordez le câble noir à la masse.
- Avant de mettre l'appareil en service, vérifiez que la tension de service et la tension de la batterie sont identiques (voir plaque signalétique).
- Raccordez votre réfrigérateur
 - le plus directement possible aux pôles de la batterie ou
 - à une prise femelle protégée par un fusible d'au moins 15 A (pour une tension de 12 V) ou 7,5 A (pour une tension de 24 V).



AVIS !

Débranchez l'appareil et les autres consommateurs d'énergie de la batterie avant de recharger la batterie avec un chargeur rapide. Les surtensions peuvent endommager l'électronique des appareils.

Le réfrigérateur est équipé d'une protection électronique contre les inversions de polarité en cas de raccordement à une batterie et contre les court-circuits. Pour protéger la batterie, le réfrigérateur s'éteint automatiquement lorsque la tension n'est plus suffisante (voir tableau suivant).

	12 V	24 V
Tension d'arrêt	10,4 V	22,8 V
Tension de remise en marche	11,7 V	24,2 V

Raccordement à une tension du secteur de 230 V



DANGER ! Danger de mort !

- Ne vous approchez pas de prises ou de commutateurs lorsque vous avez les mains mouillées ou les pieds dans l'eau.
- Si vous raccordez votre réfrigérateur à bord d'un bateau à la tension 230 V du secteur par l'intermédiaire d'une prise de quai, vous devez dans tous les cas brancher un disjoncteur différentiel entre le secteur 230 V et le réfrigérateur.
Veuillez prendre conseil auprès d'un spécialiste.

- Pour faire fonctionner la glacière sur le secteur 230 V ou 110 – 240 V, utilisez le redresseur de courant EPS-100W (230 V) ou MPS-35 (110 – 240 V).

8 Utilisation



REMARQUE

Avant de mettre en service le réfrigérateur neuf, vous devez, pour des raisons d'hygiène, le nettoyer à l'intérieur et à l'extérieur à l'aide d'un tissu humide (voir aussi chapitre « Nettoyage et entretien », page 48).

8.1 Comment économiser de l'énergie ?

- Choisissez un emplacement bien aéré et à l'abri du soleil.
- Laissez refroidir les aliments chauds avant de les déposer dans le réfrigérateur.
- Ne pas ouvrir le réfrigérateur plus souvent que nécessaire.
- Ne pas laisser la porte ou le couvercle ouverts plus longtemps que nécessaire.
- Dégivrez le réfrigérateur dès qu'une couche de glace s'est formée.
- Evitez une température intérieure inutilement basse.
- Nettoyez régulièrement le condensateur pour enlever la poussière et les salissures.
- Nettoyez régulièrement le joint du couvercle.

8.2 Utilisation du réfrigérateur

Le réfrigérateur permet la conservation des aliments frais. Les modèles CoolMatic CB36 et CB40 vous permettent en outre de conserver des aliments congelés dans le compartiment congélateur ou d'y congeler des aliments frais.



AVIS !

Veillez à ce que les boissons ou aliments placés dans des contenants en verre ne soient pas soumis à des températures trop basses. En gelant, les boissons et aliments liquides augmentent de volume. Les contenants en verre risquent alors de se casser.

► Allumez le réfrigérateur en tournant le régulateur vers la droite.



REMARQUE

Après la mise en marche, le réfrigérateur met environ 60 s avant que le compresseur ne se mette en marche.



AVIS !

Veillez à ne déposer dans le réfrigérateur que des objets ou des aliments qui peuvent être réfrigérés ou congelés à la température sélectionnée.

Fermeture

RHD50

Pour ouvrir le réfrigérateur, tirez sur le tenon (fig. **5** 1, page 4) et ouvrez la porte.

Pour verrouiller le réfrigérateur, fermez la porte en appuyant dessus jusqu'à ce que le verrouillage s'enclenche.

CB36/CB40

Le couvercle est reposé et n'est pas verrouillé.

Réglage de la température

Vous pouvez régler la température continuellement à l'aide du régulateur. Le régulateur de température intégré régule la température comme suit :

- min. (vers la gauche) = plus haute température de réglage
- max. (vers la droite) = plus basse température de réglage



REMARQUE

La puissance frigorifique peut être influencée par

- la température ambiante,
- la quantité des aliments à conserver,
- la fréquence d'ouverture de la porte/du couvercle.

Conservation des aliments

Vous pouvez conserver des aliments dans le réfrigérateur. Normalement, la durée de conservation des aliments est indiquée sur l'emballage.



AVIS !

Ne conservez pas d'aliments **chauds** dans le réfrigérateur.

Ne placez pas de conteneurs en verre remplis de liquides dans le compartiment congélateur.



REMARQUE

Conservez les aliments qui ont tendance à absorber les odeurs et les arômes, ainsi que les liquides et les produits à forte teneur en alcool dans des conteneurs hermétiques.

Le compartiment réfrigérateur se répartit en plusieurs zones qui présentent différentes températures :

- Les zones les plus froides se trouvent directement au fond de l'appareil.
- Veuillez respecter les indications relatives à la température et à la péremption figurant sur les emballages des aliments.
- Veuillez respecter les consignes suivantes pour la conservation :
 - Ne recongelez jamais un produit décongelé, consommez-le au plus vite.
 - Enveloppez les aliments dans une feuille d'aluminium ou un film plastique et placez-les dans un conteneur à couvercle. De cette façon, les arômes, la substance et la fraîcheur se conservent mieux.

Dégivrage du réfrigérateur (sur les modèles CB 36 et CB 40 uniquement)

L'humidité de l'air peut se condenser sous forme de givre au niveau de l'évaporateur ou à l'intérieur du réfrigérateur et diminuer ainsi sa puissance frigorifique. Veillez donc à dégivrer l'appareil à temps.



AVIS !

N'utilisez jamais d'outils durs ou pointus pour enlever les couches de glace ou pour détacher des objets pris dans le givre.

Procédez de la manière suivante pour dégivrer le réfrigérateur :

- Retirez les aliments.
- Placez-les éventuellement dans un autre réfrigérateur, pour qu'ils restent froids.
- Placez le régulateur sur « 0 ».
- Laissez le couvercle ouvert.
- Essuyez l'eau provenant du dégivrage.

Extinction du réfrigérateur et mise hors service

Lorsque vous voulez mettre le réfrigérateur hors service pendant une période prolongée, procédez de la façon suivante :

- Placez le régulateur sur le niveau « 0 ».
- Débranchez le câble de raccordement de la batterie ou débranchez la prise de la ligne de courant continu en la retirant du redresseur.
- Nettoyez le réfrigérateur (voir chapitre « Nettoyage et entretien », page 48).
- Laisser le couvercle ou la porte ouverts afin d'éviter la formation d'odeurs.

9 Nettoyage et entretien



AVERTISSEMENT !

Avant toute opération de nettoyage ou d'entretien de l'appareil, veuillez à le mettre hors secteur.



AVIS ! Risque d'endommagement !

- Ne nettoyez jamais la glacière à l'eau courante et ne la plongez pas non plus dans l'eau.
- N'utilisez pour le nettoyage ni produits abrasifs ni objets durs qui pourraient endommager la glacière.

- Nettoyez de temps à autre l'appareil à l'intérieur et à l'extérieur avec un chiffon humide.
- Assurez-vous que les ouvertures d'aération et de ventilation de l'appareil ne sont pas encombrées de saletés ou de poussières, pour que la chaleur générée par le fonctionnement soit évacuée et que l'appareil ne soit pas endommagé.
- Veillez à ce que de l'eau ne goutte pas sur les joints. Ceci peut endommager l'électronique.
- Essayez le réfrigérateur avec un chiffon après l'avoir nettoyé.

10 Garantie

Le délai légal de garantie s'applique. Si le produit s'avérait défectueux, veuillez vous adresser à la filiale du fabricant située dans votre pays (voir adresses au verso du présent manuel) ou à votre revendeur spécialisé.

Veuillez y joindre les documents suivants pour la gestion des réparations et de la garantie :

- une copie de la facture avec la date d'achat,
- le motif de la réclamation ou une description du dysfonctionnement.

11 Retraitement



ATTENTION !

Lors de l'élimination, veillez à ce que l'appareil ne soit pas surchauffé, car la mousse isolante a été préparée avec du gaz inflammable.

- Jetez les emballages dans les conteneurs de déchets recyclables prévus à cet effet.



Lorsque vous mettez votre produit définitivement hors service, informez-vous auprès du centre de recyclage le plus proche ou auprès de votre revendeur spécialisé sur les prescriptions relatives au retraitement des déchets.

12 Guide de dépannage

Le compresseur ne fonctionne pas

Problème	Cause éventuelle	Solution
$U_{BORNE} = 0\text{ V}$	Interruption de la ligne de raccordement entre la batterie et l'électronique	Rétablir la connexion
	Commutateur principal défectueux (s'il fait partie des composants)	Changer le commutateur principal
	Le fusible supplémentaire de la ligne a grillé (s'il fait partie des composants)	Changer le fusible de la ligne
$U_{Borne} \leq U_{ON}$	Tension de batterie trop faible	Charger la batterie
Tentative de démarrage avec $U_{BORNE} \leq U_{OFF}$	Les câbles sont débranchés Mauvais contact (corrosion)	Rétablir la connexion
	Capacité de batterie trop faible	Changer la batterie
	Diamètre du câble trop petit	Changer le câble (fig. 4, page 4)
Tentative de démarrage avec $U_{BORNE} \geq U_{ON}$	Température ambiante trop élevée	–
	Ventilation et aération insuffisantes	Déplacement du réfrigérateur
	Le condensateur est sale	Nettoyer le condensateur
	Ventilateur défectueux (s'il fait partie des composants)	Changer le ventilateur

U_{BORNE} Tension entre la borne positive et la borne négative de l'électronique

U_{ON} Tension de démarrage de l'électronique

U_{OFF} Tension d'arrêt de l'électronique

Température intérieure trop basse sur le niveau « 1 » du régulateur

Problème	Cause éventuelle	Solution
Le compresseur fonctionne en permanence	Pas de contact établi entre le détecteur du thermostat et l'évaporateur	Fixer le détecteur
	Thermostat défectueux	Changer le thermostat
	Court-circuit dans la ligne du thermostat	
Longue durée de fonctionnement du compresseur	Grandes quantités de gel dans l'appareil (pour les modèles CB 36, CB40 uniquement)	–

Diminution de la puissance frigorifique, augmentation de la température intérieure

Problème	Cause éventuelle	Solution
Longue durée de fonctionnement/ fonctionnement continu du compresseur	Givrage de l'évaporateur	Dégivrer l'évaporateur
	Température ambiante trop élevée	–
	Ventilation et aération insuffisantes	Déplacement du réfrigérateur
	Le condensateur est sale	Nettoyer le condensateur
	Ventilateur défectueux (s'il fait partie des composants)	Changer le ventilateur
Le compresseur fonctionne rarement	Batterie à plat/usagée	Charger la batterie

Bruits inhabituels

Problème	Cause éventuelle	Solution
Fort ronflement	Les mouvements d'un élément du circuit de refroidissement sont bloqués (l'élément est coincé contre la paroi)	Redresser l'élément avec précaution
	Corps étranger coincé entre l'unité de réfrigération et la paroi	Retirer le corps étranger
	Bruit du ventilateur (s'il fait partie des composants)	–

13 Caractéristiques techniques

Les réfrigérateurs CoolMatic CB36, CB40 et RHD50 disposent tous des caractéristiques suivantes :

- Tension de raccordement 12 V CC ou 24 V CC
- Humidité : 90 % maximum
- Angle de gîte pendant une courte durée : 30° maximum

	CB36	CB40
Capacité :	36 l	40 l
Puissance absorbée :	45 W	45 W
Plage de température de refroidissement :	de +10 °C à -12 °C	
Quantité de fluide frigorigène :	60 g	
Équivalent CO2 :	0,086 t	
Potentiel d'effet de serre (GWP) :	1430	
Classe climatique :	N	
Dimensions (l x h x p) en mm (avec compresseur) :	fig. 1 , page 3	fig. 2 , page 3
Poids :	17 kg	19 kg

	RHD50
Capacité :	50 l
Puissance absorbée :	45 W
Plage de température de refroidissement :	de +10 °C à +2 °C
Quantité de fluide frigorigène :	35 g
Équivalent CO2 :	0,05 t
Potentiel d'effet de serre (GWP) :	1430
Classe climatique :	N
Dimensions (l x h x p) en mm (avec compresseur) :	fig. 3 , page 3
Poids :	20 kg

Contrôle/certificats



Le circuit de refroidissement contient du R134a.

Contient des gaz à effet de serre fluorés

Équipement hermétiquement scellé

Conforme à la directive ErP/EuP.

Lees deze handleiding voor de ingebruikneming zorgvuldig door en bewaar hem. Geef de handleiding bij het doorgeven van het product aan de gebruiker.

Inhoudsopgave

1	Verklaring van de symbolen	55
2	Veiligheidsinstructies	55
3	Gebruik volgens de voorschriften	57
4	Omvang van de levering	58
5	Toebehoren.	58
6	Technische beschrijving	58
7	Koeltoestel inbouwen en aansluiten	59
8	Bediening	61
9	Reiniging en onderhoud.	64
10	Garantie	65
11	Afvoer	65
12	Storingen verhelpen	66
13	Technische gegevens	68

1 Verklaring van de symbolen

**GEVAAR!**

Veiligheidsaanwijzing: Het niet naleven leidt tot overlijden of ernstig letsel.

**WAARSCHUWING!**

Veiligheidsaanwijzing: Het niet naleven kan leiden tot overlijden of ernstig letsel.

**VOORZICHTIG!**

Veiligheidsaanwijzing: Het niet naleven kan leiden tot letsel.

**LET OP!**

Het niet naleven ervan kan leiden tot materiële schade en de werking van het product beperken.

**INSTRUCTIE**

Aanvullende informatie voor het bedienen van het product.

2 Veiligheidsinstructies

De fabrikant kan in de volgende gevallen niet aansprakelijk worden gesteld voor schade:

- beschadiging van het product door mechanische invloeden
- veranderingen aan het product zonder uitdrukkelijke toestemming van de fabrikant
- gebruik voor andere dan de in de handleiding beschreven toepassingen

2.1 Algemene veiligheid

**GEVAAR!****Levensgevaar!**

Bij gebruik op boten: als uw toestel op het stroomnet is aangesloten, dient u er absoluut voor te zorgen dat de stroomtoevoer via een aardlekschakelaar beveiligd is!

**WAARSCHUWING!**

- Controleer voor ingebruikneming van het toestel, of de bedrijfsspanning en de accuspanning overeenkomen (zie typeplaatje).
- Als de aansluitkabel beschadigd is, moet u deze vervangen door een kabel van hetzelfde type en met dezelfde specificatie.
- Laat installaties in vochtige ruimtes alleen door een vakman plaatsen.
- Reparaties aan dit toestel mogen uitsluitend door vaklui uitgevoerd worden. Door ondeskundige reparaties kunnen grote gevaren ontstaan.
Richt u wanneer een reparatie nodig is tot de klantenservice.
- Vergelijk de spanning op het typeplaatje met de voorhanden energievoorziening.
- Open in geen geval het koelcircuit.
- Stel het toestel op een droge en tegen spatwater beschermde plaats op.
- Zet het toestel niet in de buurt van open vlammen of andere warmtebronnen (verwarming, sterke zonnestraling, gasovens enz.).
- Als u uw koeltoestel op een accu aansluit, denk er dan aan, dat de accu zuur bevat!
- Let erop, dat de compressor voldoende geventileerd wordt.
- Het koeltoestel is niet geschikt voor het transport van bijtende of oplosmiddelhoudende stoffen!
- Personen (ook kinderen) die door hun fysieke, sensorische of geestelijke vaardigheden, of hun onervarenheid of onwetendheid niet in staat zijn om het product veilig te gebruiken, mogen dit niet zonder toezicht of instructie door een verantwoordelijke persoon doen.
- **Elektrische toestellen zijn geen speelgoed!**
Bewaar en gebruik het toestel buiten het bereik van kinderen.
- Levensmiddelen mogen alleen in de originele verpakkingen of geschikte bakken worden opgeslagen.
- Bewaar geen explosiegevaarlijke stoffen zoals bijvoorbeeld spuitbussen met drijfgas in het toestel.

2.2 Veiligheid bij het gebruik van het toestel



GEVAAR! **Levensgevaar!**

Neem nooit blanke leidingen met blote handen vast. Dit geldt vooral bij het gebruik aan het wisselstroomnet.



WAARSCHUWING!

- In de binnenruimte van de koelkast mogen geen elektrische toestellen worden geplaatst.
- Ontdooi het toestel op tijd, om energie te sparen.
- Als u het toestel aan een accu aansluit, zorg er dan voor, dat levensmiddelen niet met accuzuur in aanraking komen.
- Bescherm het toestel tegen regen en vocht.



LET OP!

Koppel het toestel en andere verbruikers van de accu los, voordat u de accu met een snellader oplaadt.
Overspanningen kunnen de elektronica van de toestellen beschadigen.



INSTRUCTIE

Koppel het toestel van de accu los als u het lang niet gebruikt.

3 Gebruik volgens de voorschriften

Het koeltoestel is geschikt voor het koelen en diepvriezen (alleen CB36 en CB40) van levensmiddelen. Het toestel is ook voor het gebruik op boten geschikt.



VOORZICHTIG! Gevaar voor de gezondheid!

Controleer of het koelvermogen van het toestel voldoet aan de eisen van de levensmiddelen of geneesmiddelen die u wilt koelen.

4 Omvang van de levering

Aantal	Omschrijving
1	Koeltoestel
1	Gebruiksaanwijzing

5 Toebehoren

Indien u uw koeltoestel op het 230-V-wisselstroomnet wilt gebruiken, gebruik dan een van de volgende gelijkrichters:

Omschrijving	Artikel-nr.
EPS-100W, gelijkrichter (230 V: 24 V)	9600000440
MPS-35, gelijkrichter (110 – 240 V: 24 V)	9600000445

6 Technische beschrijving

CoolMatic koeltoestellen CB36, CB40 en RHD50 zijn geschikt voor het gebruik met een gelijkspanning van 12 V of 24 V en kunnen zodoende bijv. ook bij kamperen of op boten worden gebruikt. Bovendien kunnen ze via de gelijkrichter EPS-100W en MPS-35 op een 230-V-net worden aangesloten.

Het koeltoestel kan uren afkoelen en koel houden. In CoolMatic CB36 en CB40 kunnen uren worden diepgevroren.

Alle in het koeltoestel gebruikte materialen zijn geschikt voor levensmiddelen. Het koelcircuit is onderhoudsvrij.

Via een temperatuurregelaar in de binnenruimte van het toestel kan de gewenste temperatuur traploos ingesteld worden.

Het koeltoestel beschikt over een onderspanningsbeveiliging. Voor de bescherming van de accu schakelt het koeltoestel automatisch uit, als de spanning niet voldoende is. Bij voldoende spanning wordt het toestel weer ingeschakeld.

Bij het gebruik op boten kan het koeltoestel aan een permanente helling van 30° worden blootgesteld.

CoolMatic CB36 en CB40 zijn met een afneembare en apart te monteren aggregaat uitgerust.

7 Koeltoestel inbouwen en aansluiten

7.1 Koeltoestel inbouwen

Het toestel is bestemd voor omgevingstemperaturen tussen 16 °C en 32 °C. Bij continu bedrijf mag de luchtvochtigheid niet boven 90 % liggen.

Bouw het koeltoestel op een droge, beschermde plaats in (inbouwafmetingen: afb. **1** tot afb. **3**, pagina 3). Vermijd inbouwen naast warmtebronnen zoals verwarmingen, gasovens, warmwaterleidingen etc.

Het koeltoestel moet zo zijn ingebouwd, dat de verwarmde lucht van het koelaggregaat goed kan wegstromen. Zorg daarom voor voldoende ventilatie.

Bij CoolMatic CB36, CB40 en RHD50 is het koelaggregaat afneembaar en kan bij ruimtegebrek tot op een afstand van 1,5 m (CB36, CB40, RHD50) van de koelbox worden gemonteerd.

7.2 Decoratie aanpassen (alleen CB36, CB40)

De deksels van de toestellen kunnen van de decoratie van uw interieur worden voorzien.

7.3 Koeltoestel aansluiten

Op een accu aansluiten

Het koeltoestel kan met 12 V of met 24 V gelijkspanning gebruikt worden.



LET OP!

Om spannings- en vermogensverlies te vermijden, moet de kabel zo kort mogelijk zijn en mag de kabel niet onderbroken worden. Vermijd daarom extra schakelaars, stekkers of verdeelkasten.

- Bepaal de nodige kabeldiameter afhankelijk van de kabellengte aan de hand van afb. **4**, pagina 4.

Legenda bij afb. **4**, pagina 4

Coördinatenas	Betekenis	Eenheid
l	Kabellengte	m
∅	Kabeldiameter	mm ²

**LET OP!**

Neem de juiste polariteit in acht.

- Sluit de rode leiding op de pluspool aan.
- Sluit de zwarte leiding op massa aan.
- Controleer voor ingebruikneming van het toestel, of de bedrijfsspanning en de accuspanning overeenkomen (zie typeplaatje).
- Sluit uw koeltoestel
 - zo direct mogelijk op de polen van de accu aan of
 - op een insteekplaats aan, die met minstens 15 A (bij 12 V) resp. 7,5 A (bij 24 V) is beveiligd.

**LET OP!**

Koppel het toestel en andere verbruikers van de accu los, voordat u de accu met een snellader oplaadt.

Overspanningen kunnen de elektronica van de toestellen beschadigen.

Een elektronische beveiliging tegen verkeerd polen beschermt tegen het verkeerd polen bij de accu-aansluiting en kortsluiting. Voor de bescherming van de accu schakelt het koeltoestel automatisch uit, als de spanning niet meer voldoende is (zie de volgende tabel).

	12 V	24 V
Uitschakelspanning	10,4 V	22,8 V
Herinschakelspanning	11,7 V	24,2 V

Op een 230-V-net aansluiten

**GEVAAR! Levensgevaar!**

- Werk nooit met stekkers en schakelaars, als u natte handen heeft of met uw voeten op een natte ondergrond staat.
 - Als u uw koeltoestel aan boord van een boot per landaansluiting aan het 230-V-net gebruikt, moet u in ieder geval een aardlekschakelaar tussen 230-V-net en koeltoestel schakelen.
Laat u door een vakman adviseren.
- Om het koeltoestel op het 230-V- of het 110 – 240-V-net te gebruiken, gebruikt u de gelijkrichter EPS-100W (230 V) of MPS-35 (110 – 240 V).

8 Bediening



INSTRUCTIE

Voordat u het nieuwe koeltoestel in gebruik neemt, moet u het om hygiënische redenen van binnen en van buiten reinigen met een vochtige doek (zie ook hoofdstuk „Reiniging en onderhoud” op pagina 64).

8.1 Tips om energie te sparen

- Kies een goed geventileerde en tegen zonnestralen beschermde plaats.
- Laat warme spijzen eerst afkoelen, voordat u ze in het koeltoestel legt.
- Open het koeltoestel niet vaker dan nodig.
- Laat de deur niet langer open staan dan nodig!
- Ontdooi het koeltoestel zodra er zich een ijslaag gevormd heeft.
- Vermijd een onnodig lage binnentemperatuur.
- Verwijder regelmatig stof en vuil van de condensator.
- Reinig regelmatig de dekselafdichting.

8.2 Koeltoestel gebruiken

Het koeltoestel zorgt voor het conserveren van verse voedingsmiddelen. In CoolMatic CB 36 en CB 40 kunt u bovendien diepgevroren levensmiddelen conserveren en verse voedingsmiddelen invriezen.



LET OP!

Zorg ervoor dat drank of eten in glazen flessen/potten niet te sterk afkoelt. Bij het bevriezen zetten drank of vloeibare voeding uit. Hierdoor kunnen de glazen flessen/potten kapot gaan.

- Schakel het koeltoestel in door de regelaar naar rechts te draaien.



INSTRUCTIE

Na het inschakelen heeft het koeltoestel ongeveer 60 s nodig tot de compressor begint te lopen.



LET OP!

Zorg ervoor dat er zich alleen voorwerpen of waren in het koeltoestel bevinden die op de gekozen temperatuur gekoeld mogen worden.

Sluiting

RHD50

Trek aan het lipje (afb. **5** 1, pagina 4) en open de deur om het koeltoestel te openen.

Om het koeltoestel te vergrendelen, drukt u de deur dicht tot de vergrendeling vastklikt.

CB36/CB40

Het deksel ligt op het toestel en wordt niet vergrendeld.

Temperatuur instellen

U kunt de temperatuur traploos via de regelaar instellen. De geïntegreerde temperatuurregelaar regelt de temperatuur als volgt:

- min. (aanslag links) = warmste instelling
- max. (aanslag rechts) = koudste instelling



INSTRUCTIE

Het koelvermogen kan worden beïnvloed door

- de omgevingstemperatuur,
- de hoeveelheid levensmiddelen die geconserveerd dienen te worden,
- het aantal keren dat de deur/het deksel wordt geopend.

Levensmiddelen conserveren

U kunt in het koelvak levensmiddelen conserveren. De conserveringstijd is doorgaans op de verpakking aangegeven.



LET OP!

Conserveer geen **warme** levensmiddelen in het koelvak.
Zet geen glazen potten/flessen met vloeistoffen in het vriesvak.



INSTRUCTIE

Conserveer levensmiddelen, die snel geuren en smaken in zich opnemen, zoals vloeistoffen en producten met een hoog alcoholpercentage, in dichte potten/flessen/bakjes.

Het koelvak is in verschillende zones verdeeld, die verschillende temperaturen hebben:

- De koudere zones bevinden zich direct boven de bodem.
- Neem de gegevens m.b.t. temperatuur en houdbaarheid op de verpakkingen van de levensmiddelen in acht.
- Neem de volgende instructies bij het conserveren in acht:
 - Vries producten, die aan het ontdooien zijn of ontdooid zijn, in geen geval opnieuw in, maar nuttig deze zo snel mogelijk.
 - Wikkel de levensmiddelen in aluminium- of polyethyleenfolies en stop ze in afsluitbare bakken met deksel. Daardoor worden de aroma's, de substantie en de versheid beter geconserveerd.

Koeltoestel ontdooien (alleen CB36, CB40)

Luchtvochtigheid kan zich op de verdamer of in de binnenruimte van het koeltoestel als rijp afzetten, waardoor het koelvermogen verminderd wordt. Ontdooi het toestel tijdig.



LET OP!

Gebruik nooit hard of spits gereedschap voor het verwijderen van ijslagen of het losmaken van vastgevroren voorwerpen.

Ga als volgt te werk om het koeltoestel te ontdooien:

- Neem de waren eruit.
- Bewaar deze evt. in een ander koeltoestel zodat ze koud blijven.
- Zet de regelaar op „0”.
- Laat het deksel open.
- Veeg het dooiwater weg.

Koeltoestel uitschakelen en stilleggen

Als u het koeltoestel lange tijd wilt stilleggen, gaat u als volgt te werk:

- Draai de regelaar op stand „0”.
- Koppel de aansluitkabel van de accu los of trek de stekker van de gelijkstroomleiding uit de gelijkrichter.
- Reinig het koeltoestel (zie hoofdstuk „Reiniging en onderhoud” op pagina 64).
- Laat het deksel of de deur licht geopend ter voorkoming van geurvorming.

9 Reiniging en onderhoud



WAARSCHUWING!

Scheid voor elke reiniging en verzorging het toestel van het net.



LET OP! Gevaar voor beschadiging!

- Reinig het koeltoestel nooit onder stromend water of in afwaswater.
- Gebruik voor het reinigen geen bijtende schoonmaakmiddelen of harde voorwerpen, aangezien het koeltoestel hierdoor beschadigd zou kunnen raken.

- Reinig het toestel van binnen en buiten af en toe met een vochtige doek.
- Zorg ervoor dat de ventilatieopeningen van het toestel vrij zijn van stof en verontreinigingen, zodat de bij het gebruik ontstane warmte kan worden afgevoerd en het toestel niet beschadigd raakt.
- Let erop dat er geen water in de afdichtingen druppelt. Dit kan de elektronica beschadigen.
- Veeg het koeltoestel na het reinigen met een doek droog.

10 Garantie

De wettelijke garantieperiode is van toepassing. Als het product defect is, wendt u zich tot het filiaal van de fabrikant in uw land (adressen zie achterkant van de handleiding) of tot uw speciaalzaak.

Voor de afhandeling van de reparatie of garantie dient u de volgende documenten mee te sturen:

- een kopie van de factuur met datum van aankoop,
- reden van de klacht of een beschrijving van de storing.

11 Afvoer



VOORZICHTIG!

Let er bij het afvoeren van de afgedankte apparaten op, dat het apparaat niet wordt oververhit. Het isolatieschuim is namelijk bewerkt met brandbaar gas.

- Laat het verpakkingsmateriaal indien mogelijk recyclen.



Als u het product definitief buiten bedrijf stelt, informeer dan bij het dichtstbijzijnde recyclingcentrum of uw speciaalzaak naar de betreffende afvoervorschriften.

12 Storingen verhelpen

Compressor loopt niet

Storing	Mogelijke oorzaak	Oplossing
$U_{KL} = 0\text{ V}$	Onderbreking in de aansluitleiding accu – elektronica	Verbinding tot stand brengen
	Hoofdschakelaar defect (indien voorhanden)	Hoofdschakelaar vervangen
	Extra leidingbeveiliging doorgebrand (indien voorhanden)	Leidingbeveiliging vervangen
$U_{KL} \leq U_{AAN}$	Accuspanning te laag	Accu laden
Startpoging met $U_{KL} \leq U_{UIT}$	Losse kabelverbinding Slecht contact (corrosie)	Verbinding tot stand brengen
	Accucapaciteit te gering	Accu vervangen
	Kabeldiameter te gering	Kabel vervangen (afb. 4, pagina 4)
Startpoging met $U_{KL} \geq U_{AAN}$	Omgevingstemperatuur te hoog	–
	Be- en ontluchting niet voldoende	Koeltoestel anders zetten
	Condensator vervuild	Condensator reinigen
	Ventilator defect (indien voorhanden)	Ventilator vervangen

U_{KL} Spanning tussen plus- en minklem van de elektronica

U_{AAN} Inschakelspanning elektronica

U_{UIT} Uitschakelspanning elektronica

Binnentemperatuur te laag in regelaarstand „1”

Storing	Mogelijke oorzaak	Oplossing
Compressor loopt permanent	Thermostaatsensor heeft geen contact met de verdamper	Sensor bevestigen
	Thermostaat defect	Thermostaat vervangen
	Kortsluiting in de thermostaatleiding	
Compressor loopt lang	In het toestel werd een grote hoeveelheid ingevroren (alleen CB36, CB40)	–

Koelvermogen vermindert, binnentemperatuur stijgt

Storing	Mogelijke oorzaak	Oplossing
Compressor loopt lang/permanent	Ijsvorming op verdamper	Verdamper ontdooien
	Omgevingstemperatuur te hoog	–
	Be- en ontluchting niet voldoende	Koeltoestel anders zetten
	Condensator vervuild	Condensator reinigen
	Ventilator defect (indien voorhanden)	Ventilator vervangen
Compressor loopt zelden	Accucapaciteit uitgeput	Accu laden

Abnormale geluiden

Storing	Mogelijke oorzaak	Oplossing
Luid brommen	Onderdeel van het koelcircuit kan niet vrij trillen (ligt tegen wand aan)	Onderdeel voorzichtig buigen
	Vreemde onderwerpen tussen koelmachine en wand ingeklemd	Vreemde voorwerpen verwijderen
	Ventilatorgeluid (indien voorhanden)	–

13 Technische gegevens

CoolMatic koeltoestellen CB36, CB40 en RHD50 hebben allemaal de volgende eigenschappen:

- Aansluitspanning 12 V DC of 24 V DC
- Luchtvochtigheid: maximaal 90 %
- Kortstondige kanteling: maximaal 30°

	CB36	CB40
Inhoud:	36 l	40 l
Opgenomen vermogen:	45 W	45 W
Koeltemperatuurbereik:	+10 °C tot -12 °C	
Koelmiddelhoeveelheid:	60 g	
CO2-equivalent:	0,086 t	
Aardopwarmingsvermogen (GWP):	1430	
Klimaatklasse:	N	
Afmetingen (bxhxd) in mm (met compressor):	afb. 1 , pagina 3	afb. 2 , pagina 3
Gewicht:	17 kg	19 kg

	RHD50
Inhoud:	50 l
Opgenomen vermogen:	45 W
Koeltemperatuurbereik:	+10 °C tot +2 °C
Koelmiddelhoeveelheid:	35 g
CO2-equivalent:	0,05 t
Aardopwarmingsvermogen (GWP):	1430
Klimaatklasse:	N
Afmetingen (bxhxd) in mm (met compressor):	afb. 3 , pagina 3
Gewicht:	20 kg

Keurmerk/certificaten

Het koelcircuit bevat R134a.

Bevat gefluoreerde broeikasgassen

Hermetisch afgesloten apparatuur

Conform ERP/EUP-richtlijn.



dometic.com

**YOUR LOCAL
DEALER**

dometic.com/dealer

**YOUR LOCAL
SUPPORT**

dometic.com/contact

**YOUR LOCAL
SALES OFFICE**

dometic.com/sales-offices
