



RECORD THIS INFORMATION FOR FUTURE REFERENCE:

FRTA Model Number \_\_\_\_\_  
FRTA Serial Number \_\_\_\_\_  
Hardware Model Number \_\_\_\_\_  
Hardware Serial Number \_\_\_\_\_  
Date Purchased \_\_\_\_\_  
Retailer / Qualified Installer \_\_\_\_\_

**OPERATING  
INSTRUCTIONS**

**SUNCHASER**

**8500**

**9000**

**GEARED AWNING**

**FABRIC ROLLER TUBE ASSEMBLY (FRTA)**

**UNIVERSAL SERIES HARDWARE**

**G8273000**



Read these instructions carefully. These instructions **MUST** stay with this product.

**REVISION A**  
Form No. 3315089.000 09/16  
(French 3315090.000\_A)  
©2016 Dometic Corporation  
LaGrange, IN 46761

**USA**  
SERVICE OFFICE  
Dometic Corporation  
1120 North Main Street  
Elkhart, IN 46514

**CANADA**  
Dometic Corporation  
46 Zatonski, Unit 3  
Brantford, ON N3T 5L8  
CANADA

**SERVICE CENTER &  
DEALER LOCATIONS**  
**Please Visit:**  
[www.eDometic.com](http://www.eDometic.com)

# INTRODUCTION

This awning (hereinafter referred to as “awning,” or “product”) is designed and intended for use on RVs with straight sides. Use these instructions to ensure correct operation of product.

Dometic Corporation reserves the right to modify appearances and specifications without notice.

# TABLE OF CONTENTS

INTRODUCTION.....	2
DOCUMENT SYMBOLS .....	2
IMPORTANT SAFETY INSTRUCTIONS.....	3
A. Recognize Safety Information .....	3
B. Understand Signal Words.....	3
C. Supplemental Directives.....	3
D. General Safety Messages .....	3
OPEN THE AWNING.....	4
A. Opening The Awning .....	4
B. Extending The Awning Rafters .....	5
SET THE AWNING POSITION.....	5
A. Placing The Awning In Carport Position (If Desired) .....	6
B. Adjusting The Awning Height.....	6
C. Preparing The Awning To Shed Water.....	7
OPTIONAL FEATURES.....	7
A. Operating The LED Light Strip (If Equipped).....	7
CLOSE THE AWNING.....	8
A. Preparing To Close The Awning .....	8
B. Retracting The Awning Rafters.....	8
C. Closing The Awning .....	8
D. Preparing The Awning For Travel .....	8
GENERAL CARE AND USE.....	9
A. Precautions.....	9
B. Hardware Maintenance .....	9
C. Vinyl Fabric Maintenance .....	9
D. Acrylic Fabric Maintenance .....	10
E. When To Get More Help.....	10

# DOCUMENT SYMBOLS



Indicates additional information that is **NOT** related to physical injury.



Indicates step-by-step instructions.

# IMPORTANT SAFETY INSTRUCTIONS

This manual has safety information and instructions to help you eliminate or reduce the risk of accidents and injuries.

## A. Recognize Safety Information



This is the safety alert symbol. It is used to alert you to potential physical injury hazards. Obey all safety messages that follow this symbol to avoid possible injury or death.

## B. Understand Signal Words

A signal word will identify safety messages and property damage messages, and will indicate the degree or level of hazard seriousness.

**WARNING** indicates a hazardous situation that, if **NOT** avoided, could result in death or serious injury.

**CAUTION** indicates a hazardous situation that, if **NOT** avoided, could result in minor or moderate injury.

**NOTICE** is used to address practices **NOT** related to physical injury.

## C. Supplemental Directives



Read and follow all safety information and instructions to avoid possible injury or death.

Read and understand these instructions before [installing / using / servicing / performing maintenance on] this product.

Incorrect [installation / operation / servicing / maintaining] of this product can lead to serious injury. Follow all instructions.

The installation **MUST** comply with all applicable local and national codes, including the latest edition of the following standards:

### U.S.A.

- ANSI/NFPA70, National Electrical Code (NEC)
- ANSI/NFPA 1192, Recreational Vehicles Code

### CANADA

- CSA C22.1, Parts I & II, Canadian Electrical Code
- CSA Z240 RV Series, Recreational Vehicles

## D. General Safety Messages

**WARNING** Failure to obey the following warnings could result in death or serious injury:

- This product **MUST** be [installed / serviced] by a qualified service technician.
- Do **NOT** modify this product in any way. Modification can be extremely hazardous. Frequently examine product for imbalance (uneven fit / sagging / loose parts); and signs of wear or damage to wiring (if applicable) and other critical parts. Do **NOT** use product if adjustments or repairs are necessary.



Critical parts may include awning fabric, cables, arm assemblies, etc.

- Disconnect the product from the power supply (if applicable), and do **NOT** operate the product when maintenance (such as window cleaning) is being carried out in the vicinity.
- Do **NOT** allow anyone (including children) with reduced physical, sensory or mental capabilities, or lack of experience and knowledge to use this product, unless they have been given supervision or instruction (concerning use of this product) by a person responsible for their safety.
- Do **NOT** allow children to play with product or with fixed controls (if applicable). Keep remote controls (if applicable) away from children.
- **IMPACT OR CRUSH HAZARD. NEVER** leave an open awning unattended. Keep awning stowed (closed) when snow, heavy rain, wind, and severe weather conditions are expected. Failure to obey this warning could result in death or serious injury.
- **IMPACT OR CRUSH HAZARD. Do NOT** allow water to pool, snow to accumulate, or heavy debris on awning fabric. Do **NOT** hang or place anything on awning. The awning will become unstable, and could bend or collapse. Failure to obey this warning could result in death or serious injury.
- **FIRE HAZARD.** Keep sources of heat and fire (barbecue grills, portable heater, etc.) away from awning. Failure to obey this warning could result in death or serious injury.



**CAUTION** **PINCH HAZARD.** Maintain a horizontal distance of at least 16" between fully open awning and any permanent object. Failure to obey this caution could result in injury.

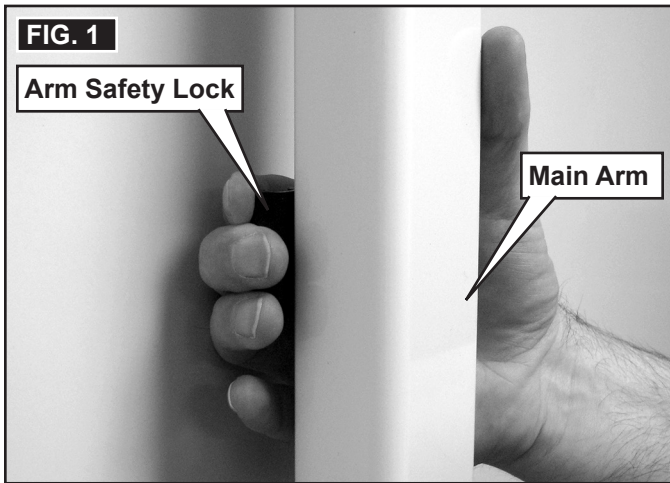


Do **NOT** face the awning toward permanent objects that may interfere with awning operation.

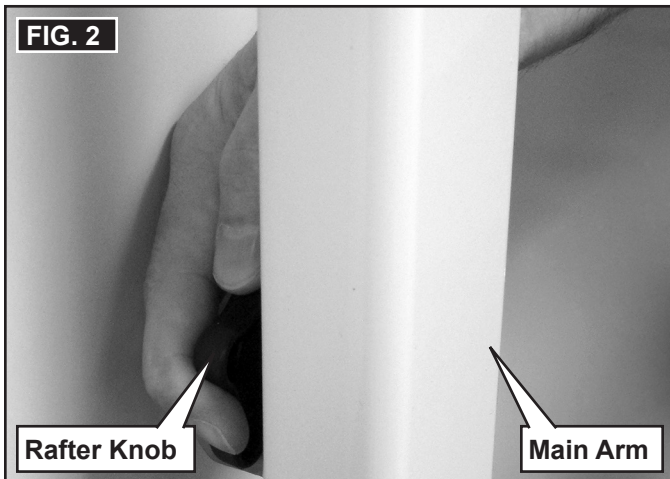
# OPEN THE AWNING

## A. Opening The Awning

1. Push in one side tab of the arm safety lock, then the other to disengage the main rafter from the main arm. See FIG. 1.



2. Loosen the rafter knob . See FIG. 2.



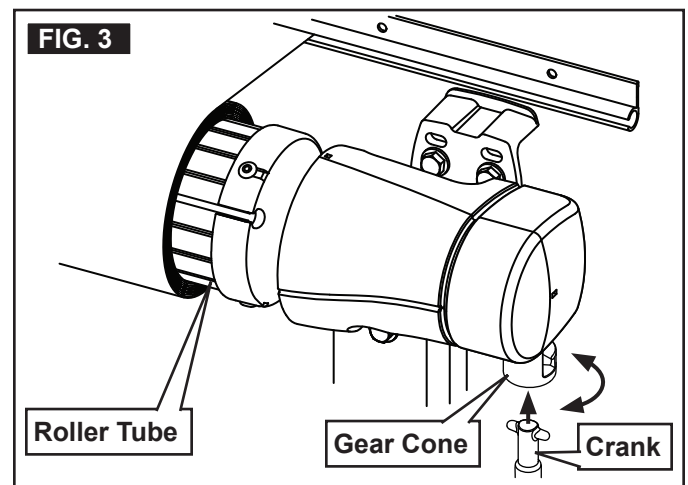
3. Repeat steps (1) through (2) for the opposite side.
4. **CAUTION** PINCH HAZARD. Maintain a horizontal distance of at least 16" between fully open awning and any permanent object. Failure to obey this caution could result in injury.  
**i** Do **NOT** face the awning toward permanent objects that may interfere with awning operation.
5. **WARNING** IMPACT OR STABBING HAZARD. Do **NOT** overreach. Stay alert, and maintain control of crank. Keep people clear of area while [opening / closing] product. Keep proper footing and balance at all times. Failure to obey these warnings could result in death or serious injury.

**CAUTION** ENTANGLEMENT HAZARD. Rotating parts. Keep hands, hair, and clothing away from moving parts. Failure to obey this caution could result in injury.

**NOTICE** Do **NOT** rotate crank faster than 2 revolutions per second (120 RPM). Do **NOT** use an impact driver, or exceed 90 in-lb maximum torque. Otherwise, product damage could occur.

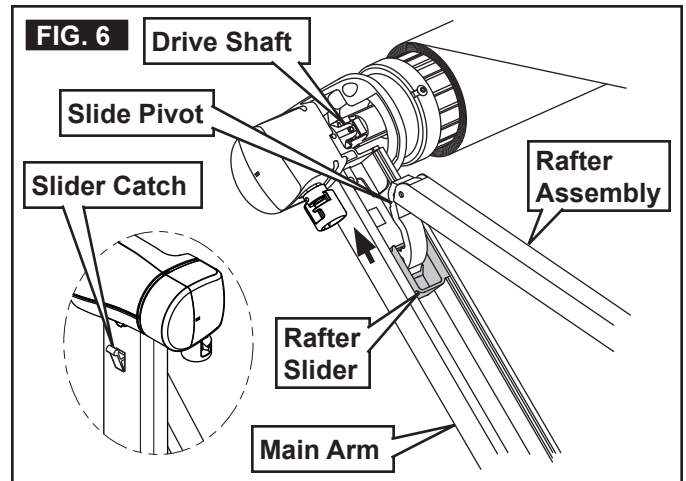
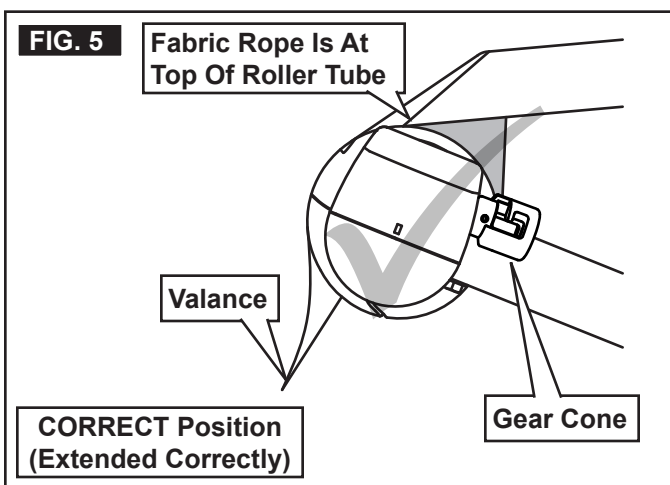
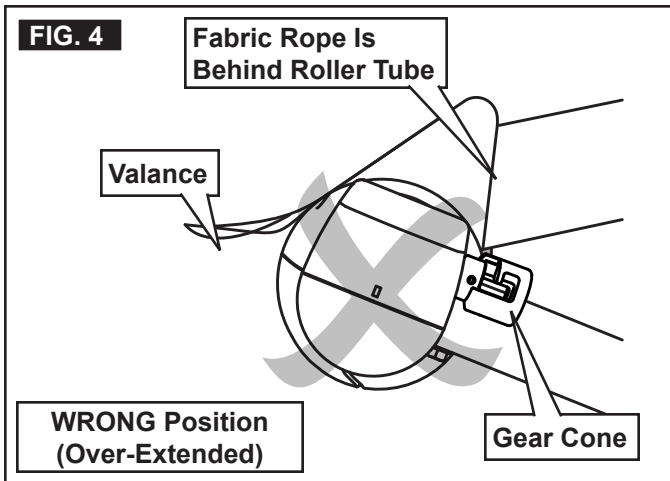
Insert the "T-pin" end of the crank into the gear cone. Then rotate the crank (clockwise) until the awning is fully extended. See FIG. 3.

**i** The crank may be operated by a cordless drill, or by hand.

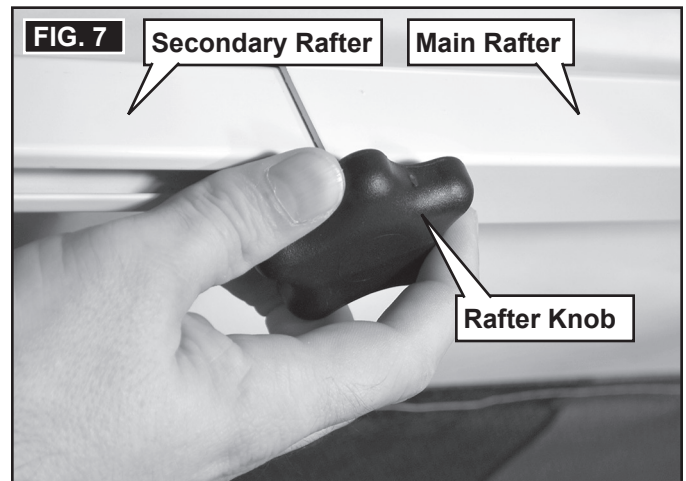


6. **WARNING** IMPACT OR CRUSH HAZARD. Do **NOT** allow awning to remain in over-extended position as this could trap heavy debris, or could cause water to pool or snow to accumulate on awning fabric. This weight will cause awning to become unstable, and bend or collapse. Failure to obey this warning could result in death or serious injury.  
Verify the valance is in the correct position with the fabric rope at the top (12 o'clock position) of the roller tube. Adjust if necessary. See FIG. 4 & FIG. 5.  
**i** To fine-adjust the fabric rope position or awning fabric tension, turn the gear cone by hand.

# OPEN THE AWNING



2. Pull the secondary rafter away from the RV to stretch the awning fabric taut. Then tighten the rafter knob. See FIG. 7.



3. Repeat steps (1) through (2) for the opposite side.

## B. Extending The Awning Rafters

1. With the rafter knob loosened, slide the rafter assembly (rafter slider) along the main arm until the slider catch clicks securely in place. See FIG. 2 & FIG. 6.

**i** The slide pivot will rest against the drive shaft.

# SET THE AWNING POSITION

This awning may be placed in two basic positions:

- **Patio Position (Standard):** The arm assembly is diagonal, and patio foot remains attached to bottom mounting bracket (on the RV).

**i** Skip to subsection, "B. Adjusting The Awning Height" on page (6) to keep arm assemblies in patio position.

- **Carport Position (Optional):** The arm assembly (one or both) is vertical with the patio foot anchored to the floor / ground.

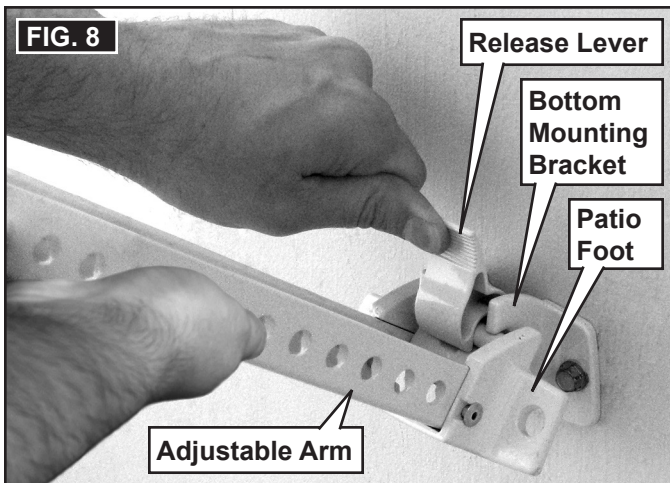
**i** Proceed to subsection, "A. Placing The Awning In Carport Position (If Desired)" on page (6) to place (one or both) arm assemblies in carport position.

# SET THE AWNING POSITION

## A. Placing The Awning In Carport Position (If Desired)

1. **⚠ CAUTION** LIFTING HAZARD. Use proper lifting technique and control when lifting arm assembly. Failure to obey this caution could result in injury.

Press the release lever on the bottom mounting bracket. Then lift the arm assembly out and away from the RV. See FIG. 8.



2. **⚠ WARNING** IMPACT OR CRUSH HAZARD. Anchor patio foot securely when placing awning in carport position. Otherwise, product may become unstable and could [detach / bend / collapse]. Failure to obey this warning could result in death or serious injury.

Move the arm assembly to the vertical position. Then place and anchor the patio foot to the floor / ground with stakes (or other secure method).

**i** Do **NOT** place the awning in carport position if rain is expected. Wet ground conditions may weaken the holding ability of the stakes.

3. Repeat steps (1) through (2) for the opposite side (if desired).

4. **⚠ WARNING** IMPACT OR CRUSH HAZARD. Do **NOT** allow awning to remain in over-extended position as this could trap heavy debris, or could cause water to pool or snow to accumulate on awning fabric. This weight will cause awning to become unstable, and bend or collapse. Failure to obey this warning could result in death or serious injury.

Verify the valance is in the correct position with the fabric rope at the top of the roller tube. Adjust if necessary. See FIG. 5.

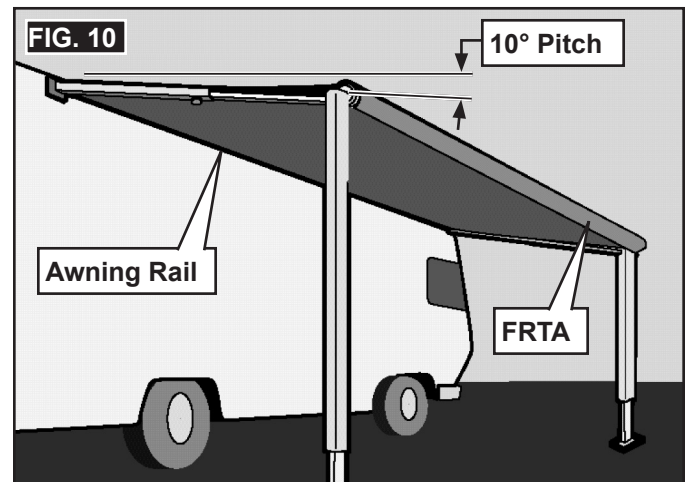
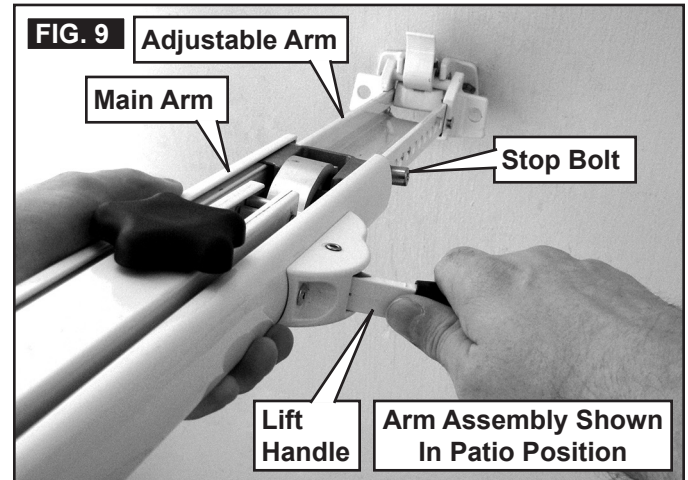
**i** To fine-adjust the fabric rope position or awning fabric tension, turn the gear cone by hand.

## B. Adjusting The Awning Height

1. **⚠ CAUTION** LIFTING HAZARD. Use proper lifting technique and control when lifting main arm. Failure to obey this caution could result in injury.

While holding the main arm, pull the lift handle out and slide the main arm up until the awning is at a desired height. See FIG. 9.

**i** The FRTA **MUST** be lower than the awning rail for a pitch of at least 10°. See FIG. 10.



2. Release the lift handle to lock in position.
3. **⚠ WARNING** IMPACT OR CRUSH HAZARD. **ALWAYS** lower one side of hardware into water shed position when adjusting awning [pitch / slope]. Otherwise, water could pool on awning fabric. Failure to obey this warning could result in death or serious injury.


Repeat steps (1) through (2) for the opposite side.

# SET THE AWNING POSITION

## C. Preparing The Awning To Shed Water

**⚠ WARNING** IMPACT OR CRUSH HAZARD. Do **NOT** allow water to pool or snow to accumulate on awning fabric. The awning will become unstable, and could bend or collapse. Whenever heavy rain or snow is expected, place awning in stowed (closed) position. Failure to obey this warning could result in death or serious injury.

Lowering one arm assembly into water shed position (to create a slope from other arm assembly) will allow water run-off during light rain.

-  1. With the awning fully extended, verify the arm assembly nearest the entry door is set at the correct height.

**i** The FRTA **MUST** be lower than the awning rail for a pitch of at least 10°. See FIG. 10.

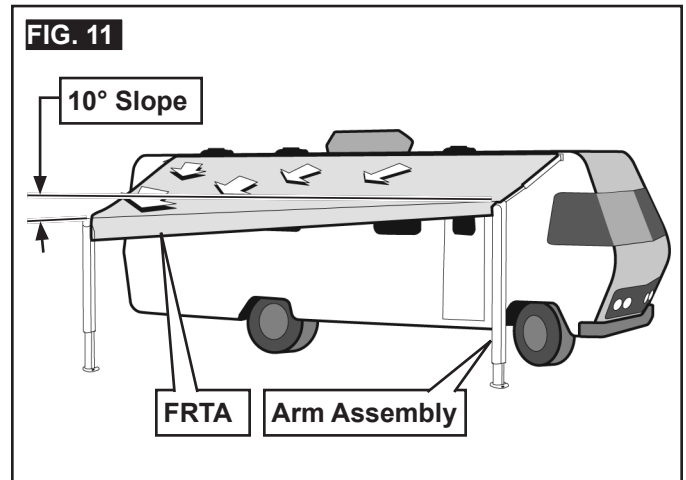
2. **⚠ WARNING** IMPACT OR CRUSH HAZARD. **NEVER** disengage lift handle during windy conditions, or with water pooled or snow accumulated on awning fabric. This could cause the awning to move unpredictably, become unstable, and bend or collapse. Failure to obey this warning could result in death or serious injury.

**⚠ CAUTION** LIFTING HAZARD. Use proper lifting technique and control when lifting main arm. Failure to obey this caution could result in injury.

**NOTICE** Do **NOT** allow corner of entry door to contact awning fabric. Otherwise, premature wear or tearing of awning fabric could occur.

While holding the main arm, pull the lift handle out and slide the main arm down until the FRTA slopes approximately 10° from the other arm assembly. See FIG. 9 & FIG. 11.

**i** Lowering the arm assembly nearest the entry door could allow the door to contact the awning fabric. If the awning pitch was previously adjusted steeper than 10°, raising the arm nearest the entry door will provide more fabric clearance.




3. Release the lift handle to lock in position.

# OPTIONAL FEATURES

## A. Operating The LED Light Strip (If Equipped)

**i** LED switch operation and appearance may vary depending on application.

-  1. Turn the LED switch to the ON position to illuminate the LED light strip.

**i** The LED light strip may be used while the awning is open or closed.

2. Turn the LED switch to the OFF position when the LED light strip is not in use.

# CLOSE THE AWNING

## A. Preparing To Close The Awning

1. **⚠ WARNING** IMPACT OR CRUSH HAZARD. **NEVER** disengage lift handle during windy conditions, or with water pooled or snow accumulated on awning fabric. This could cause the awning to move unpredictably, become unstable, and bend or collapse. Failure to obey this warning could result in death or serious injury.

**⚠ CAUTION** LIFTING HAZARD. Use proper lifting technique and control when lifting main arm. Failure to obey this caution could result in injury.

While holding the main arm, pull the lift handle out and slide the main arm down until it rests against the stop bolt. See FIG. 9.

**i** The arm assembly is lowered to the shortest position.

2. Release the lift handle.
3. Repeat steps (1) through (2) for the opposite side.
4. Move both arm assemblies from the (optional) carport position to the patio position.

**i** Skip this step if arm assemblies are already in the patio position.

- a. Unfasten the patio foot from the floor / ground.
- b. **⚠ CAUTION** LIFTING HAZARD. Use proper lifting technique and control when lifting arm assembly. Failure to obey this caution could result in injury.

Lift the arm assembly from the vertical position and move toward the RV. Then latch the patio foot into the bottom mounting bracket. See FIG. 8.

**i** If the RH arm assembly is difficult to move toward the RV, turn the gear cone (clockwise) to release some fabric tension. See FIG. 4.

- c. Repeat steps (a) through (b) for the opposite side.

## B. Retracting The Awning Rafters

1. Loosen the rafter knob. See FIG. 7.
2. Pull the slider catch out. Then slide the rafter assembly along the main arm until the rafter slider clears the slider catch. See FIG. 6.
3. Slide the rafter assembly along the main arm until the rafter slider reaches the patio foot. See FIG. 6 & FIG. 8.
4. Repeat steps (1) through (3) for the opposite side.

## C. Closing The Awning

1. **⚠ WARNING** IMPACT OR STABBING HAZARD. Do **NOT** overreach. Stay alert, and maintain control of crank. Keep people clear of area while [opening / closing] product. Keep proper footing and balance at all times. Failure to obey these warnings could result in death or serious injury.

**⚠ CAUTION** ENTANGLEMENT HAZARD. Rotating parts. Keep hands, hair, and clothing away from moving parts. Failure to obey this caution could result in injury.

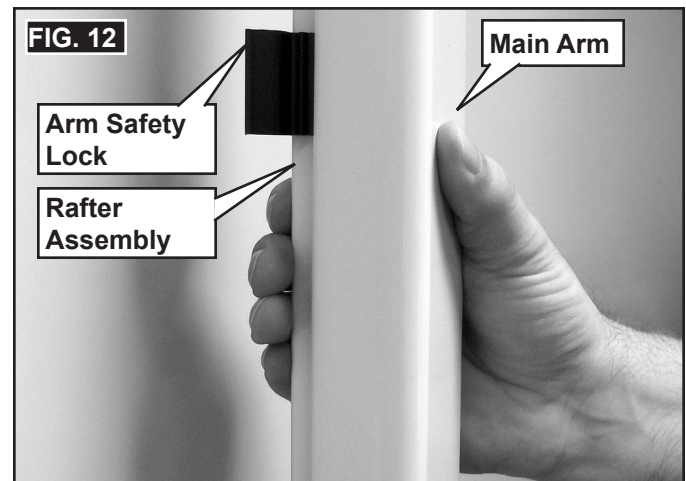
**NOTICE** Do **NOT** rotate crank faster than 2 revolutions per second (120 RPM). Do **NOT** use an impact driver, or exceed 90 in·lb maximum torque. Otherwise, product damage could occur.

Do **NOT** allow awning fabric to wrap in the wrong direction around roller tube. Otherwise, product damage could occur.

Place the "T-pin" end of the crank into the gear cone. Then rotate the crank (counter-clockwise) until the awning is fully closed. See FIG. 3.

## D. Preparing The Awning For Travel

1. Squeeze the rafter assembly into the main arm until the arm safety lock clicks securely in place. See FIG. 12.




2. Tighten the rafter knob to help ensure rattle-free travel. See FIG. 2.
3. Repeat steps (1) through (2) for the opposite side.




# GENERAL CARE AND USE

## A. Precautions

**NOTICE** Failure to obey the following notices could damage product or property:

- Do **NOT** use insecticides or other sprays near awning fabric. These could cause stains, and could adversely affect fabric's ability to repel water.
- Do **NOT** expose awning to adverse environmental conditions, corrosive agents, or other harmful conditions.
- Do **NOT** allow the corner of entry door to contact awning fabric. Otherwise, premature wear or tearing of awning fabric could occur.
- **NEVER** close awning (for storage) when wet. The combination of moisture and dirt could result in mildew, discoloration, and stains.
  -  If it is necessary to roll up awning (temporarily) while it's wet, make sure you roll it out and let it dry (as soon as conditions allow) before rolling it up again.
- Do **NOT** allow dirt, leaves, or other debris to accumulate on awning, which could cause abrasion and stains. Mildew could grow on dirt and organic debris causing permanent discoloration, stains, and odors to awning fabric.

## B. Hardware Maintenance


-  1. **NOTICE** Do **NOT** use strong chemicals or abrasives to clean parts, as their protective surfaces will be damaged.

Clean the awning hardware (as needed) with a mild surface cleaner (such as dish soap).
- 2. **NOTICE** Do **NOT** use silicone sprays near labels. Otherwise, the label's adhesive bond to the product surfaces could weaken.


Apply silicone spray lubricant as needed to keep the FRTA's moving parts operating smoothly.
- 3. Lubricate all sliding surfaces of the arm assemblies with silicone spray as needed.

## C. Vinyl Fabric Maintenance

Vinyl fabric offers the advantage of durability and water resistance.


-  Wrinkling is a normal characteristic of vinyl. Wrinkling may be more noticeable when retracted, and after prolonged periods of storage (rolled up). Leave awning open during warm weather to minimize the wrinkling over a period of time.



1. To clean:

-  a. Mix 1/4 cup dish soap and 1/4 cup bleach to 5 gallons (19 liters) of fresh water to use as cleaning solution.
  - b. **NOTICE** Do **NOT** use abrasive or corrosive cleaners, mildew removers, or hard bristle brushes on awning fabric.

Liberally drench open awning fabric with cleaning solution.
  - c. Close the awning, let it soak for 5 minutes, then open the awning again.
  - d. **NOTICE** Remove solution **COMPLETELY** from awning fabric. Bleach will degrade the awning fabric if **NOT** completely rinsed off.

Thoroughly hose off the top and bottom of the fabric with clean water.

    -  Repeat as necessary to completely remove solution.
  - e. **NOTICE** **NEVER** close awning (for storage) when wet. The combination of moisture and dirt could result in mildew, discoloration, and stains.


Allow the awning to dry thoroughly before stowing (rolling up).
2. To repair a pinhole, or if a spot of coating flakes off from the top layer of vinyl fabric:
-  a. Apply a very small dab of VLP (Vinyl Liquid Patch) on the tip of a cotton swab.
    -  VLP is available from Dometic Corporation. Reference part number 3314216.000 when ordering.
  - b. Gently roll the cotton swab around the pinhole. The VLP will melt the coating (on fabric) and that will quickly fill in the pinhole and blend with all colored vinyls.
  - c. **NOTICE** **NEVER** close (roll up) the awning when the vinyl liquid patch is wet. Otherwise, damage to other parts of the awning fabric (melting through layers) will occur.

Allow the VLP to dry thoroughly before stowing (rolling up) the awning.

# GENERAL CARE AND USE

## D. Acrylic Fabric Maintenance

Woven acrylic fabric offers the advantage of strength and breathability. The fabric is water repellent, but not water proof since the cloth is woven.

 Woven acrylic fabric is a much lighter weight material than vinyl fabric. Shifting of awning fabric could occur if fabric is **NOT** centrally aligned with the roller tube when the awning closes. If necessary, open the awning and adjust the alignment.


1. Avoid touching the underside of the acrylic fabric when it is wet. This will break the surface tension of the water, and water seepage through the fabric could occur.
2. To clean:

- a. **NOTICE** Do **NOT** use abrasive or corrosive cleaners, mildew removers, or hard bristle brushes on awning fabric.

Do **NOT** scrub awning fabric. Scrubbing could remove water repellent and may require its reapplication.


Do **NOT** use detergent to wash woven awning fabric. Detergent may leave a residue that will attract dirt and allow fabric to absorb water. This could result in leakage, mildew, discoloration, and stains.

Liberally drench the open awning fabric (top and bottom) with clean water.

 Hose off the awning fabric periodically, and if dirt or dust settles on fabric.


- b. **NOTICE** **NEVER** close awning (for storage) when wet. The combination of moisture and dirt could result in mildew, discoloration, and stains.

Allow the awning to dry thoroughly before stowing (rolling up).

 Air out the awning fabric periodically, and if water penetrates fabric when stowed.

## E. When To Get More Help

If malfunctions occur (that cannot be corrected by reviewing these instructions), contact a qualified service technician.

 A slight “travel line” may appear where the door roller (if installed) contacts the awning fabric. This is considered normal and does **NOT** affect the integrity of the awning fabric.