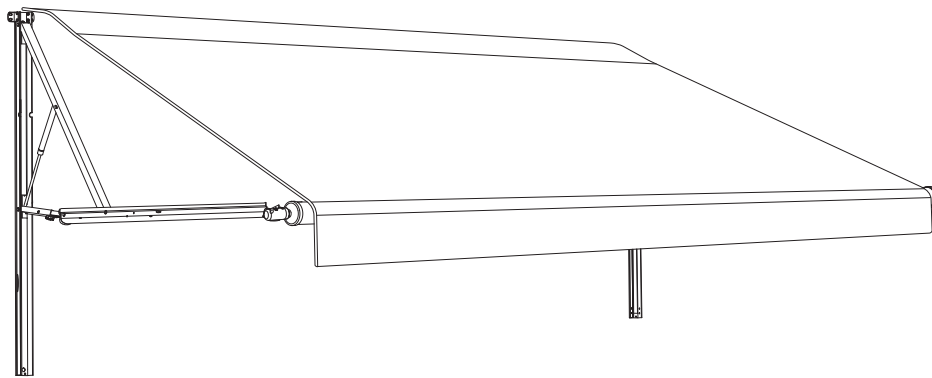


↗ DOMETIC

AWNINGS

POWER PATIO AWNING HARDWARE



Hardware

8952XX1.4X0#(L) Basement

8952XX2.4X0#(L) Standard

8952XX3.4X0#(L) Reduced Pitch

FRTA

Fabric Roller Tube Assembly

91XXYY.XXX#(L)

EN

9100 Power Patio Awning

Installation Manual.2

⚠ WARNING

Cancer and Reproductive Harm
www.P65Warnings.ca.gov

REVISION L Form No. 3312737.054 2023-07-20 | ©2023 Dometic Corporation
RÉVISION L Document no 3312738.052 2023-07-20 | ©2023 Dometic Corporation

Service Center & Dealer Locations

Visit: www.dometic.com

Please read these instructions carefully and follow all instructions, guidelines, and warnings included in this product manual in order to ensure that you install, use, and maintain the product properly at all times. These instructions **MUST** stay with this product.

By using the product, you hereby confirm that you have read all instructions, guidelines, and warnings carefully and that you understand and agree to abide by the terms and conditions as set forth herein. You agree to use this product only for the intended purpose and application and in accordance with the instructions, guidelines, and warnings as set forth in this product manual as well as in accordance with all applicable laws and regulations. A failure to read and follow the instructions and warnings set forth herein may result in an injury to yourself and others, damage to your product, or damage to other property in the vicinity. This product manual, including the instructions, guidelines, and warnings, and related documentation, may be subject to changes and updates. For up-to-date product information, please visit www.dometic.com.

Contents

1 Explanation of Symbols and Safety Instructions 2

1.1 Recognize Safety Information 2

1.2 Understand Signal Words 2

1.3 Supplemental Directives 3

1.4 General Safety Messages 3

2 Intended Use 3

3 General Information 3

3.1 Tools and Materials 4

4 Specifications 4

4.1 Back Channel Hardware Dimensions 4

4.2 Door Clearance 5

5 Preinstallation 5

5.1 Installing the Door Roller and Edge Guard (Optional) 5

5.2 Preparing the Awning Rail 6

5.3 Determining the Awning Location 7

6 Installation 8

6.1 Installing the Electrical Kits 8

6.2 Installing the Awning 9

6.3 Attaching the Back Channels 11

6.4 Wiring the Electrical Connections to the Awning 13

6.5 Completing the Back Channel Installation . . 13


6.6 Installing the Bumper Kit 14

6.7 Securing the Awning Fabric to the Awning Rail 14

7 Disposal 15

LIMITED ONE-YEAR WARRANTY 15

Related Documents



Find the installation manual in French online at https://documents.dometic.com/?object_id=56434

1 Explanation of Symbols and Safety Instructions

This manual has safety information and instructions to help you eliminate or reduce the risk of accidents and injuries.

1.1 Recognize Safety Information

⚠ This is the safety alert symbol. It is used to alert you to potential physical injury hazards. Obey all safety messages that follow this symbol to avoid possible injury or death.

1.2 Understand Signal Words

A signal word will identify safety messages and property damage messages, and also will indicate the degree or level of hazard seriousness.

⚠ WARNING
Indicates a hazardous situation that, if **not** avoided, could result in death or serious injury.

⚠ CAUTION
Indicates a hazardous situation that, if **not** avoided, could result in minor or moderate injury.

NOTICE: Used to address practices **not** related to physical injury.

i Indicates additional information that is not related to physical injury.

1.3 Supplemental Directives

To reduce the risk of accidents and injuries, please observe the following directives before proceeding to install this product:

- Read and follow all safety information and instructions.
- Read and understand these instructions before installing this product.
- The installation must comply with all applicable local or national codes, including the latest edition of the following standards:

U.S.A.

ANSI/NFPA70, National Electrical Code (NEC)

ANSI/NFPA1192, Recreational Vehicles Code

Canada

CSA C22.1, Parts I & II, Canadian Electrical Code

CSA Z240 RV Series, Recreational Vehicles

1.4 General Safety Messages

⚠ WARNING: ELECTRICAL SHOCK, FIRE, AND/OR EXPLOSION HAZARD. Failure to obey the following warnings could result in death or serious injury:

- Use care when diagnosing and/or adjusting components on a powered unit.
- Use only Dometic replacement parts and components that are specifically approved for use with the appliance.
- Avoid improper installation, adjustment, alterations, service, or maintenance of the appliance. Service and maintenance **must** be done by a qualified service person only.
- Do **not** modify this product in any way. Modification can be extremely hazardous.

2 Intended Use

The Power Patio Awning (hereinafter referred to as awning) is intended to provide shade when installed on a Recreational Vehicle (RV). This awning is only suitable for the intended purpose and application in accordance with these instructions.

This manual provides information that is necessary for the proper installation of the awning. Poor installation and/or improper operating or maintenance will result in unsatisfactory performance and a possible failure. The manufacturer accepts no liability for any injury or damage to the product resulting from:

- Incorrect assembly or connection, including excess voltage
- Incorrect maintenance or use of spare parts other than original spare parts provided by the manufacturer
- Alterations to the product without express permission from the manufacturer
- Use for purposes other than those described in this manual

Dometic reserves the right to change product appearance and product specifications.

3 General Information

This section describes the tools and materials needed to install the awning and its components.

i The images used in this document are for reference purposes only. Components and component locations may vary according to specific product models. Measurements may vary ± 0.38 in. (10 mm).

3.1 Tools and Materials

Dometic recommends that the following tools and materials be used while installing the appliance.

Included Parts	Quantity
1/4-20 x 3/4 in. Hex Head Screw	2
1/4 in. Split Lock Washer	2
#14-10 x 1-1/2 in. Hex Head Screw	8
#6-20 x 7/16 in. Self-Drilling Hex Head Washer Screw	2

Optional Parts and Kits	Reference Number
Awning Switch Kit	3310455.062
Back Channel Spacer Kit	3312853.025(#)
Bumper Kit*	3310777.000
Cradle Kit*	930065(#)
Door Roller Kit	830304
Door Roller Kits (50 Pack)	830304.003
Ignition/Safety Interlock Kit	3313283.00
LED Light Switch Kit	Installer Supplied
Torsion Crank Assembly	3308334.006U

*Awnings longer than 21 ft require the installation of a cradle kit and bumper kit.

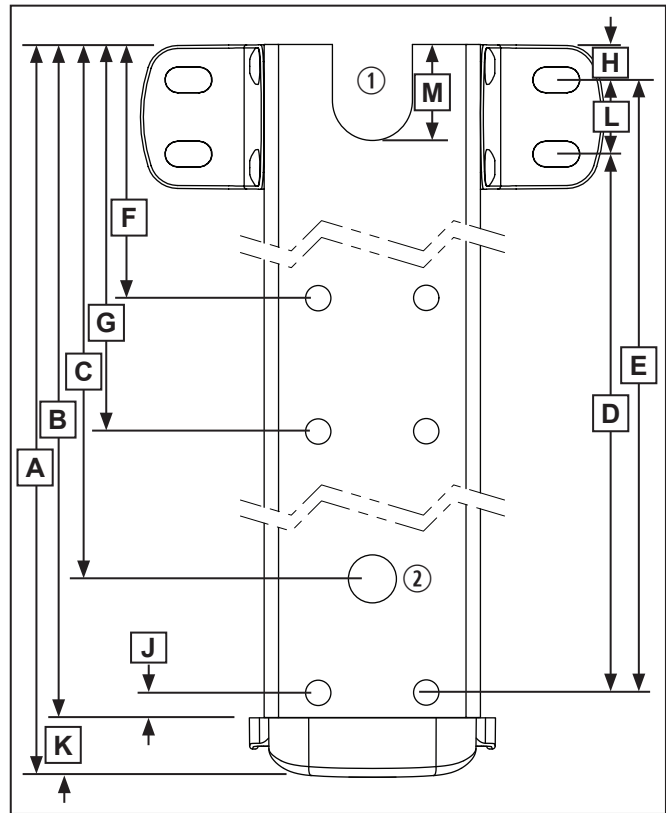
Recommended Tools	
Drill	Sealant
Flat-Bladed Screwdriver	Wrench or Hex Nut Driver/Bit
Metal File	

4 Specifications

This section provides the specifications for the back channel hardware dimensions and the clearance between the awning and the RV door.

4.1 Back Channel Hardware Dimensions

The wiring harness location may be at the top or bottom depending on the awning model.



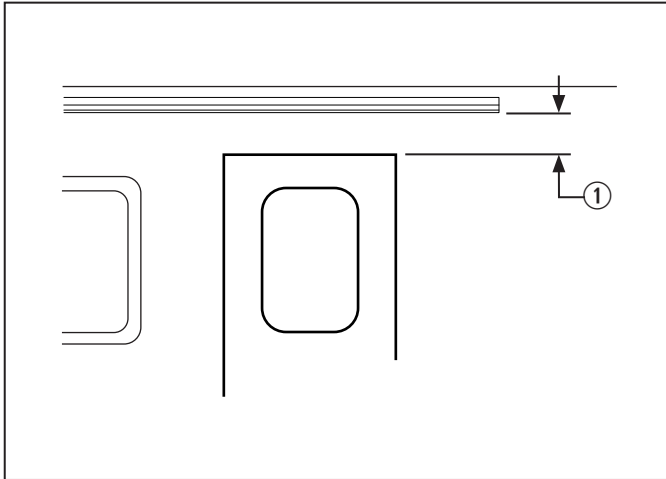
1 Back Channel Hardware Dimensions

- ① Top Wiring Harness Notch
- ② Bottom Wiring Harness Hole

	8952XX1.400#(L)	8952XX2.400#(L)	8952XX3.400#(L)
A	62.8 in. (160 cm)	66.3 in. (161 cm)	66.3 in. (161 cm)
B	62.1 in. (158 cm)	65.6 in. (166 cm)	65.6 in. (166 cm)
C	60.1 in. (153 cm)	63.6 in. (162 cm)	63.6 in. (162 cm)
D	60.8 in. (154 cm)	64.3 in. (163 cm)	64.3 in. (163 cm)
E	61.5 in. (156 cm)	65.0 in. (165 cm)	65.0 in. (165 cm)
F	33.0 in. (84 cm)		
G	39.0 in. (99 cm)		
H	0.4 in. (10 mm)		
J	0.3 in. (8 mm)		
K	0.6 in. (15 mm)		
L	0.8 in. (20 mm)		
M	1.5 in. (38 mm)		

4.2 Door Clearance

Consider the location of doors, windows, lights, trim, slideouts, etc. when determining the length and position of the awning so as not to obstruct the operation or block any of these components.



2 Determining Minimum Distance

① Minimum Distance Between the Awning Rail and the Entry Door

i When the entry door is towards the center of the awning, add 2 in. (51 mm) to the minimum distance.

Model	Minimum Distance
8952XX1.400#(L)	12 in. (305 mm)
8952XX2.400#(L)	7 in. (178 mm)
8952XX3.400#(L)	6 in. (152 mm)
8952XY1.400#(L)*	13 in. (330 mm)
8952XY2.400#(L)*	8 in. (203 mm)
8952XY3.400#(L)*	7 in. (178 mm)

*Replace "Y" with 2 or 3.

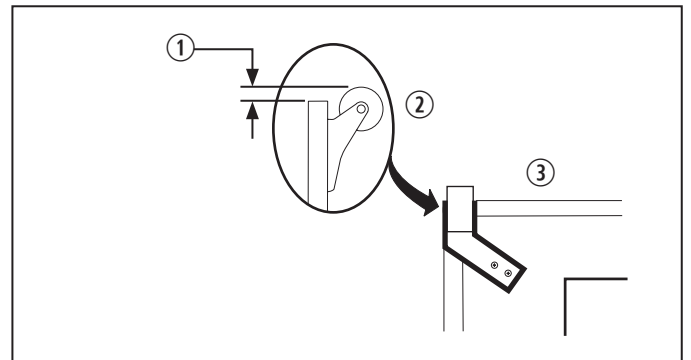
5 Preinstallation

NOTICE: Do **not** allow the corner of the entry door to contact the awning fabric. Otherwise, premature wear or tearing of the awning fabric could occur. If there is the potential for a squared corner entry door to contact the awning fabric, a door roller kit **must** be installed. See "Optional Parts and Kits" on page 4.

i Rounded corner doors may not require a door roller kit if there is no potential for damage to the awning fabric.

This section provides information on preparing the awning hardware prior to awning installation.

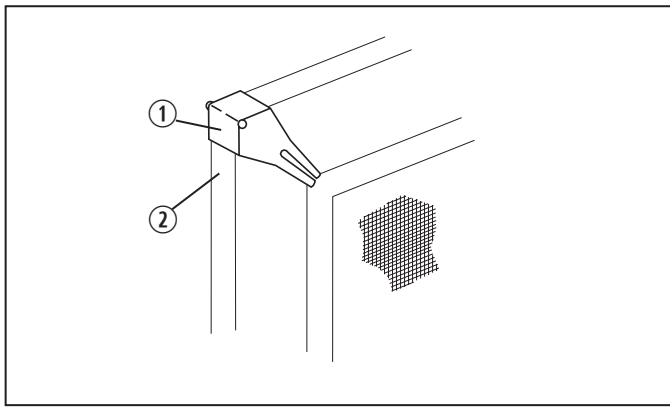
5.1 Installing the Door Roller and Edge Guard (Optional)



3 Positioning the Door Roller

- ① Position Above Door
- ② Door Roller
- ③ Outer Entry Door

1. Position the door roller on the upper corner of the outer entry door, opposite the hinge, and 0.3–0.4 in. (8–10 mm) above the door edge.
2. Drill two pilot holes.
3. Insert and tighten the mounting screws.



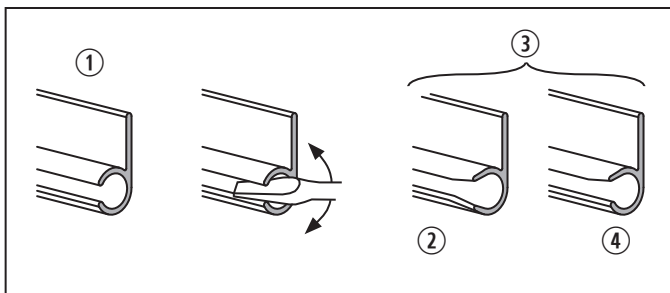
4 Clipping the Door Edge Guard

- ① Door Edge Guard ② Inner Screen Door

4. Clip the door edge guard onto the upper corner of the inner screen door, opposite the hinge.

5.2 Preparing the Awning Rail

NOTICE: Make sure the awning rail is parallel to the RV floor, and is **not** warped or curved before installing the awning fabric. If the awning rail is not straight, the awning fabric may wrinkle or stretch.



5 Figure Caption

- ① Before ③ After
- ② Typical Awnings: Top and Bottom Flare ④ LED Awnings: Top Flare Only

1. Select the desired awning rail end (on the RV) into which awning fabric will be inserted.
2. Flare (widen) that end of rail with a flat-bladed screwdriver.

i If the awning is equipped with LED lights, only flare the top of awning rail opening.

3. Use a metal file to remove any sharp edges.

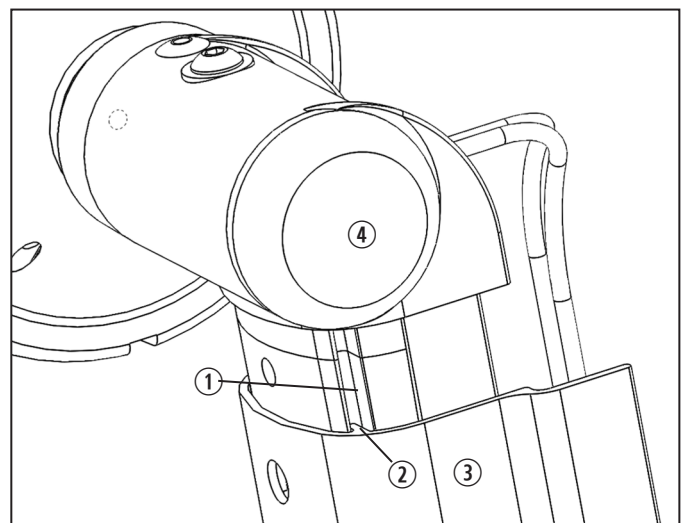
5.2.1 Preparing the Awning Hardware

⚠ WARNING: IMPACT, PINCH, AND/OR CRUSH HAZARD. Failure to obey the following warnings could result in death or serious injury:

- Do **not** remove the ties wrapped around each arm assembly until the top casting is secured to the front channel, the awning fabric is attached to the awning rail, and the arm assembly is mounted to the RV. Arm assemblies are under tension from the gas strut. Removing these ties could allow the arms to extend quickly and unexpectedly.
- Do **not** set the top casting behind the tongue. The awning roller assembly is not properly restrained and could become separated.
- Do **not** remove the cotter pin from the torsion rod (at the end cap) until both of the top castings are secured to the corresponding front channels. Otherwise, rapid casting spin off will occur. Spring tension will attempt to spin the hardware and/or fabric roller tube quickly and unexpectedly.

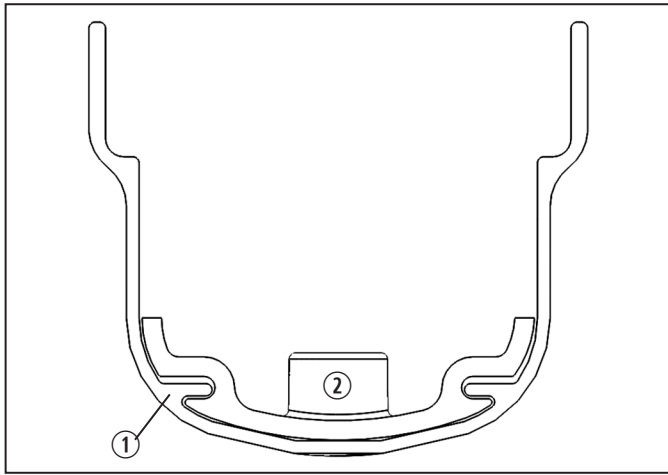
i The right hand arm assembly (front channel) is pre-wired for the awning motor.

1. Carefully lay the fabric roller tube assembly (FRTA) on a clean, well padded V-shaped trough (or other well protected surface) to prevent fabric damage.



6 Positioning the Top Casting

- ① Groove ③ Main Arm
- ② Tongue ④ Top Casting

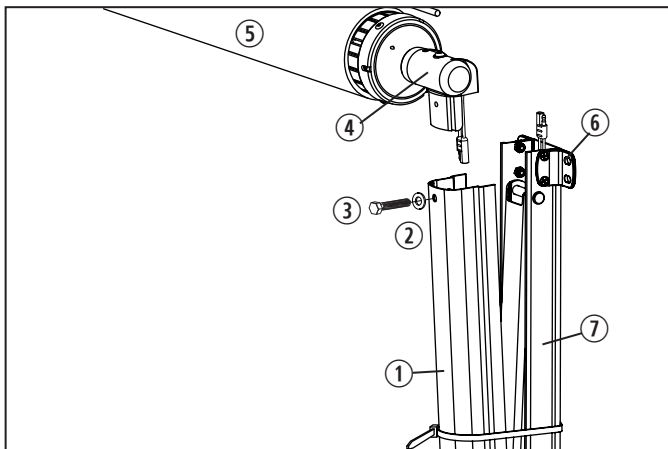


7 Correctly Positioned Tongue in Groove

- ① Groove
- ② Tongue

2. Position the right-hand top casting in the main arm and slide the groove over the tongue.

i The groove in the top casting **must** slide over the tongue in the main arm.



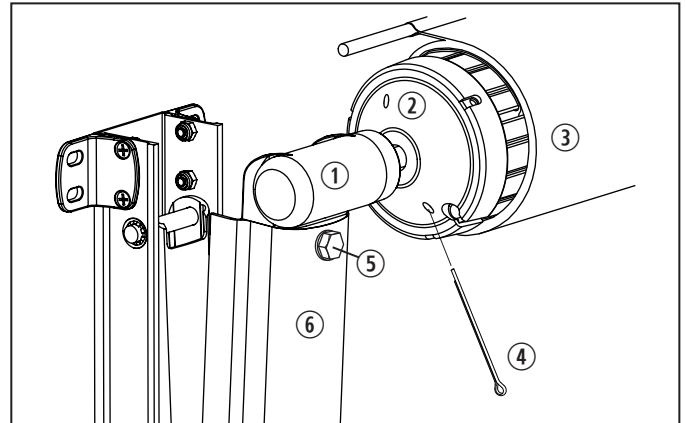
8 Securing the Right-Hand Front Channel

- ① Front Channel
- ② 1/4 in. Split Lock Washer
- ③ 1/4-20 x 3/4 in. Hex Head Screw
- ④ Top Casting
- ⑤ FRTA
- ⑥ Top Mounting Bracket
- ⑦ Back Channel

3. Secure the right-hand top front channel to the right-hand top casting with the screw and washer.

4. Position the left-hand top casting in the main arm and slide the groove over the tongue. See Figure 6.

i The groove in the top casting **must** slide over the tongue in the main arm.



9 Securing the Left-Hand Front Channel

- ① Top Casting
- ② Left-Hand End Cap
- ③ FRTA
- ④ Cotter Pin
- ⑤ Screw
- ⑥ Front Channel

5. Secure the left-hand top front channel to the left-hand top casting with the screw and washer.

6. Straighten the bent end of cotter pin.

7. Rotate the fabric roller tube (as if unrolling the awning) by pulling bottom of the FRTA toward you.

i This will reduce pressure on cotter pin for easier removal.

8. While holding the FRTA, pull the cotter pin out and discard.

i Removing the cotter pin will release the factory preset torsion (spring) tension.

5.3 Determining the Awning Location

⚠ WARNING: IMPACT AND/OR CRUSH HAZARD.

Verify that the mounting surface on the RV is flat, that it has solid structural backing where the fasteners penetrate the surface, and that it will safely and securely support the awning. Otherwise, the awning may become unstable and could detach, bend, or collapse. Failure to obey this warning could result in death or serious injury.

Consider the following when selecting the mounting awning mounting location:

- Select a solid structure in the RV wall for the support of the top mounting brackets and back channels.
- Allow enough clearance between the entry door and fabric, or slideout and fabric, to allow for awning pitch (slope). See “Door Clearance” on page 5.
- Avoid locations that would interfere with the entry door swing when the awning is completely extended.
- Make sure the arm assemblies do not restrict the use of doors, windows, slideouts, etc.
- If installing the awning over windows, use a back channel spacer kit. See “Optional Parts and Kits” on page 4.

6 Installation

⚠ WARNING: ELECTRICAL SHOCK, FIRE, AND/OR EXPLOSION HAZARD. Failure to obey the following warnings could result in death or serious injury:

- Shut off the gas supply, disconnect the 120 VAC power from the RV, and disconnect the positive (+) 12 VDC terminal from the supply battery before drilling or cutting into the RV.
- Make sure there are no obstacles such as wires or pipes inside the RV’s walls.
- Do not pinch the wiring or allow the wiring to rub against sharp edges. If the wiring is damaged, it **must** be replaced by a qualified service technician.

NOTICE: Always seal the wiring against weather and moisture where the wiring enters the RV walls, roof, or floor. Otherwise, water leakage could occur.

This section describes how to install the electrical switches awning.

6.1 Installing the Electrical Kits

This section provides important supplemental information for installing electrical kits. For complete information, refer to the installation instructions included with the kits.

6.1.1 Installing a Wired Awning Switch

1. Shut off the gas supply, disconnect the 120 VAC power from the RV, and disconnect the positive (+) 12 VDC terminal from the supply battery.
2. Choose an installation location for the awning switch where it will not be exposed to weather, extreme temperatures, or long hours in direct sunlight.
3. Install a 15 A fuse at the fuse panel for the positive (+) 12 VDC power supply (RED wire) to the switch.
4. Route the wiring inside the RV to the general location where the connections to the awning hardware will be made. Allow enough wiring length to pass through the outside RV wall. See “Back Channel Hardware Dimensions” on page 4.
5. Follow the instructions included with the awning switch kit to complete the installation.

6.1.2 Installing an Ignition/Safety Interlock System

⚠ WARNING: IMPACT AND/OR CRUSH HAZARD.

Do **not** install the awning in a motor home without also installing an ignition/safety interlock system. Otherwise, accidental operation during transit could occur. Failure to obey this warning could result in death or serious injury.

i The ignition interlock **must** break the circuit (cut power) to the awning when the ignition is on.

1. Shut off the gas supply, disconnect the 120 VAC power from the RV, and disconnect the positive (+) 12 VDC terminal from the supply battery.
2. Install a 5A fuse at the fuse panel for the positive (+) 12 VDC ignition control (PINK wire) to the ignition interlock.
3. Follow the instructions included with the ignition/safety interlock kit to complete the installation.

6.1.3 Installing a LED Light Switch

A LED light switch is only required for awning models equipped with a LED light strip.

1. Shut off the gas supply, disconnect the 120 VAC power from the RV, and disconnect the positive (+) 12 VDC terminal from the supply battery.

2. Choose an installation location for the LED light switch where it will not be exposed to weather, extreme temperatures, or long hours in direct sunlight.
3. Perform one of the following fuse installations.
 - Install a 5A fuse at the fuse panel for the positive (+) 12 VDC power supply (RED wire) to the LED light switch.
 - Install a 5A in-line fuse between the positive (+) 12 VDC power supply (RED wire) and the LED light switch.
4. Route the wiring inside the RV to the general location where the connections to the awning hardware will be made. Allow enough wiring length to pass through the outside RV wall. See “Back Channel Hardware Dimensions” on page 4.
5. Follow the instructions included with the LED light switch kit to complete the installation.

6.2 Installing the Awning

⚠ WARNING: IMPACT AND/OR CRUSH HAZARD.

This awning should be installed in a controlled environment (inside). Do **not** install the awning during windy conditions, or when wind is expected. Otherwise, the awning could move unpredictably, become unstable, and could detach, bend, or collapse. Failure to obey this warning could result in death or serious injury.

NOTICE: Always use sealant on clean parts and surfaces where fasteners enter the RV walls, roof, and floor. Otherwise, leakage could occur.

- i** Install the back channels on a flat surface, level, and keep parallel with each other to ensure correct function and appearance.

6.2.1 Inserting the Awning Fabric into the Awning Rail

⚠ WARNING: IMPACT AND/OR CRUSH HAZARD.

Do **not** remove the LED rail from the awning fabric (if equipped). Otherwise, the awning fabric could separate from the awning rail on the RV and cause the awning to extend quickly or detach, bend, or

collapse. Failure to obey this warning could result in death or serious injury.

⚠ CAUTION: LIFTING HAZARD.

Use proper lifting technique and control when lifting the awning. Failure to obey this caution could result in injury.

NOTICE: Keep both arm assemblies parallel to each other to avoid twisting.

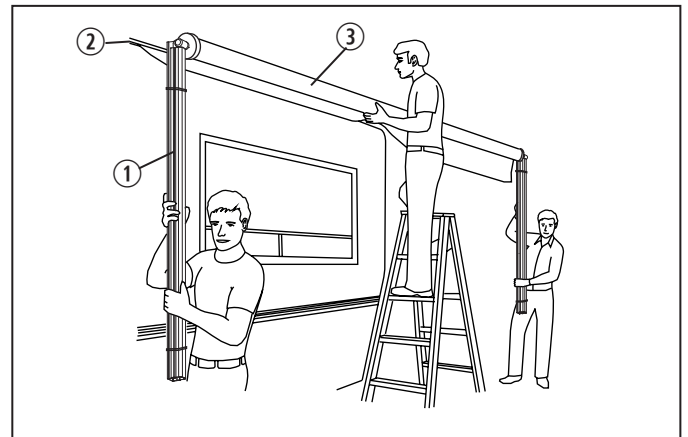
- i** If the LED light strip is not desired, the standard awning fabric **must** be used. Otherwise, you may remove the LED light strip from the LED rail, and leave the empty LED rail on the fabric rope.

1. Unfurl the awning fabric one revolution.

- i** Do **not** unfurl more than one revolution of fabric, as this could cause issues with awning closing and opening correctly. Unfurling one revolution will allow enough space between the RV wall and the awning hardware to guide the awning fabric into the awning rail.

2. Insert the awning fabric (with the awning roller cover, if equipped) into the awning rail.

- i** A stepladder may be necessary to reach the awning rail.



10 Positioning the Arm Assemblies

- ① Arm Assembly
- ② Awning Rail
- ③ FRTA

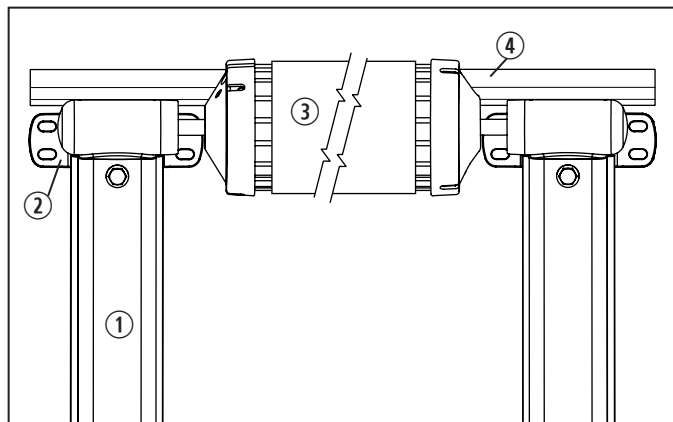
3. With one person grasping each arm assembly, carefully lift the entire awning assembly upright, then carry the awning to the prepared (flared) awning rail end.

- i** At least two other people are required to hold and control the awning hardware until the top mounting brackets and back channels are correctly installed.
4. While one person guides the awning fabric (with the awning roller cover, if equipped) into the awning rail, carefully move (carry) the awning hardware assembly to the desired location.

6.2.2 Attaching the Top Mounting Brackets/Arm Assemblies

⚠ WARNING: IMPACT AND/OR PINCH HAZARD.
 Arm assemblies are under tension from the gas strut. Hold the arm assemblies and the FRTA securely **before** removing ties. Otherwise, the arms will extend quickly and unexpectedly. Failure to obey this warning could result in death or serious injury.

NOTICE: Control the arm assemblies while installing the brackets. When the weight of the FRTA is not supported, downward force could cause the arm assemblies to swing sideways and damage the RV.



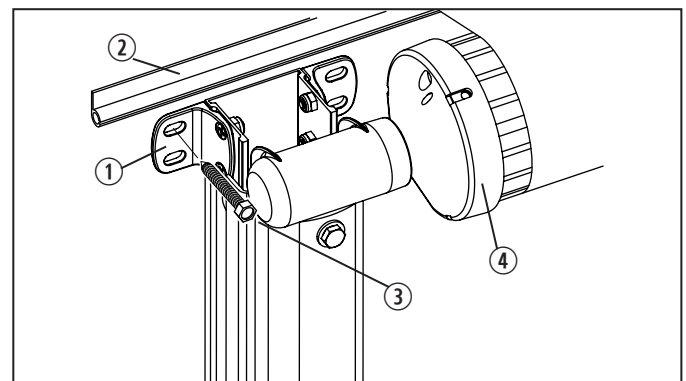
11 Attaching the Arm Assemblies

- ① Arm Assembly
- ② Top Mounting Bracket Hole
- ③ FRTA
- ④ Awning Rail

i The motorized arm assembly is always installed at the right-hand side of awning.

1. When the awning is at the installation location, position the top mounting brackets (with the arm assemblies attached) directly under and parallel to the awning rail.

- i** Some awning rails have a wide drip channel to catch water as it runs off the RV roof. If the awning rail is too wide, it may be necessary to lower the position of the top mounting brackets to avoid interference with the FRTA.
2. While holding the arm assemblies securely in place, mark the top mounting bracket hole locations.
 3. Determine the location of the wiring harness hole on your model. See “Back Channel Hardware Dimensions” on page 4.
 - i** The back channel will either have a notch at the top, or a hole near the bottom for wiring to pass through the RV wall.
 - If the wiring will pass through the RV wall at top of the back channel, mark the wiring hole (notch) location.
 - If the wiring will pass through the RV wall at the bottom of the back channel, go to the next step.
 4. Carefully move the arm assemblies out of the way to expose the marked mounting hole locations.
 5. Drill 3/16 in. diameter holes through the marked mounting hole locations and into the solid structure of the RV.
 - i** Drill 7/32 in. diameter holes if drilling into steel.
 6. If the wiring will pass through the RV wall at the bottom of the right-hand back channel, drill a 5/8 in. diameter hole at the marked top wiring hole location and through the outside wall of RV.



12 Securing the Outer Arm Assembly Mounts

- ① Top Mounting Bracket
- ② Awning Rail
- ③ #14-10x1-1/2 in. Hex Head Screw
- ④ Left-hand End Cap

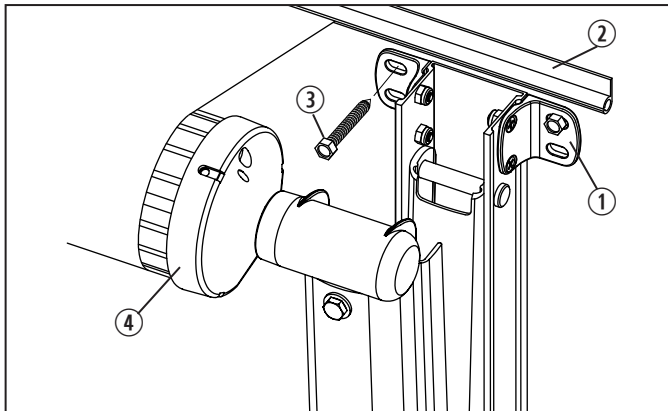
7. With the arm assembly completely closed, place the top mounting brackets against the wall and align the mounting holes to the pre-drilled holes in the RV.
8. Apply sealant to the screw threads.
9. Secure the screw through the outside (top) mounting holes and into the solid structure of RV.

i Make sure the arm assemblies are completely closed before tightening the outside screws. Closed arm assemblies will help in the overall alignment of the awning.

10. While holding the arm assembly (front channel) and FRTA securely, carefully remove the nylon ties (and tape if applicable) around the front and back channels.

11. Allow the front channel to open slowly until the awning fabric is taut.

i Slack from the unfurled fabric will allow the awning to open approximately 12–18 in. (305–457 mm).

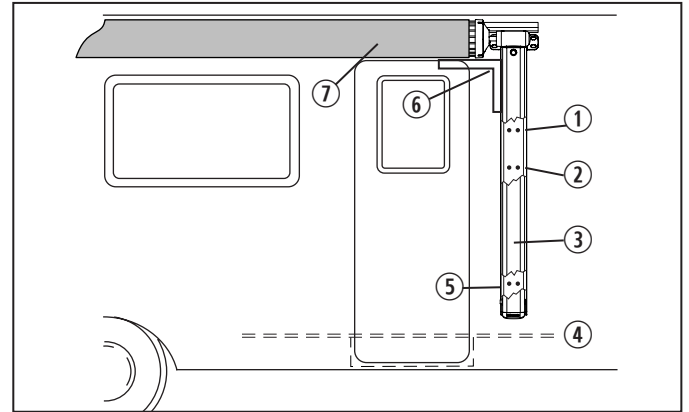


13 Securing the Inner Arm Assembly Mounts

- | | |
|------------------------|-------------------------------------|
| ① Top Mounting Bracket | ③ #14-10 x 1-1/2 in. Hex Head Screw |
| ② Awning Rail | ④ Right-hand End Cap |

12. Apply sealant to the screw threads.
13. Secure the screws through the inside (top) mounting holes and into the solid structure of the RV.

6.3 Attaching the Back Channels



14 Marking the Bottom Mounting Locations

- | | |
|------------------------------------------|---------------------------------|
| ① Center Mounting Holes: Above the Strut | ⑤ Bottom Mounting Holes |
| ② Center Mounting Holes: Below the Strut | ⑥ Square to the RV and the FRTA |
| ③ Back Channel | ⑦ FRTA |
| ④ Floor Line | |

i The motorized arm assembly is always installed at the right-hand side of awning.

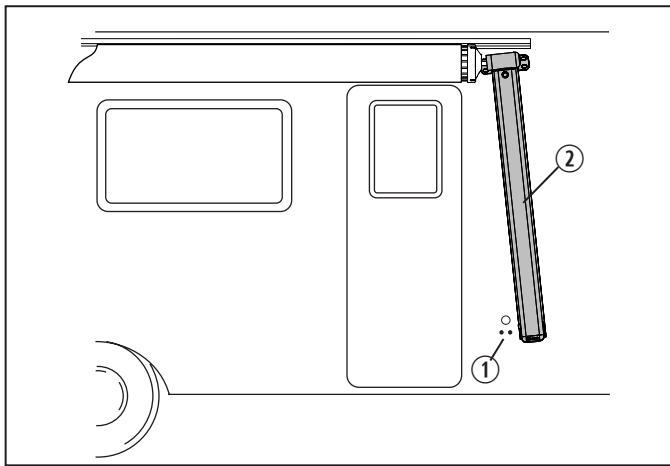
1. Remove the wiring cover from the right-hand back channel (if applicable). Save it for later re-installation.
2. Square the back channels to the RV and the FRTA.
3. Mark the left- and right-hand bottom mounting hole locations. See "4.1 Back Channel Hardware Dimensions" on page 4.

i Measuring from a door or window frame is acceptable.

4. Determine the location of the wiring harness hole on your model. See "Back Channel Hardware Dimensions" on page 4.

i The back channel will either have a notch at the top, or a hole near the bottom for wiring to pass through the RV wall.

- If the wiring will pass through the RV wall at bottom of the back channel, mark the wiring hole (notch) location.
- If the wiring will pass through the RV wall at the top of the back channel, go to the next step.



15 Accessing the Marked Hole Locations

- ① Marked Hole Locations
- ② Right-Hand Arm Assembly

5. Carefully swing the right-hand arm assembly out of the way to expose the marked hole locations.

i If the arm is too stiff to swing aside, loosen the screw on the inside hole of the top mounting bracket.

6. Drill 3/16 in. diameter holes through the marked mounting hole locations and into the solid structure of the RV.

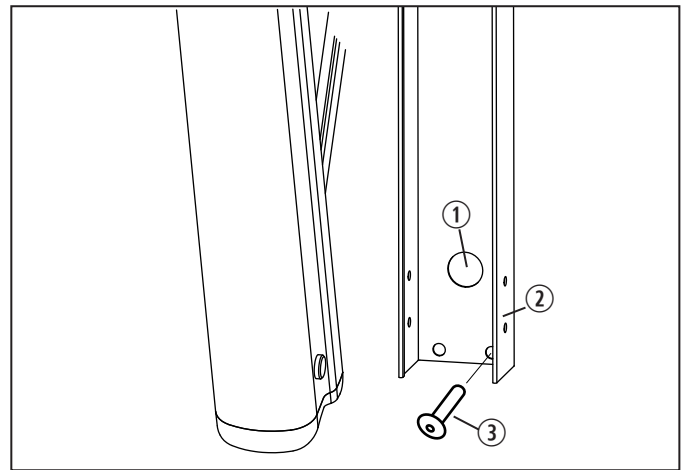
i Drill 7/32 in. diameter holes if drilling into steel.

7. If the wiring will pass through the RV wall at the bottom of the right-hand back channel, drill a 5/8 in. diameter hole at the marked bottom wiring hole location and through the outside wall of RV.

i Skip this step if attaching the left-hand back channel.

8. Swing the arm assembly back in place, and align its mounting holes to the pre-drilled holes in the RV.

9. Re-tighten the screw in the inside hole of the top mounting bracket if it was loosened earlier to swing the arm assembly aside.



16 Securing the Back Channel

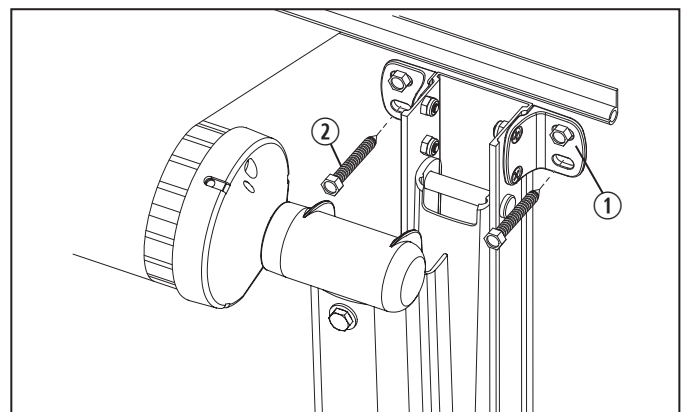
- ① Bottom Wiring Harness Hole
- ② Back Channel
- ③ 3/16 x 1 in. Oscar Rivet

10. Apply sealant to two Oscar rivets (installer supplied).

11. Insert the Oscar rivets through the bottom two mounting holes of the back channel and secure to the solid structure of the RV.

i The structural backing (with skin) **must** be 0.4–0.5 in. [10–13 mm] thick to accommodate the Oscar rivets. Alternatively, structural screws may be used to secure the back channel if the RV has structural backing that will support at least 100 lbf/in² [689 kPa] per screw.

12. Repeat steps 5–11 on the left-hand arm assembly.



17 Securing the Remaining Screws

- ① Top Mounting Bracket
- ② #14-10 x 1-1/2 in. Hex Head Screw

13. Apply sealant to the screw threads.
14. Insert and tighten the screws through the remaining holes of both top mounting brackets and into the solid structure of the RV.

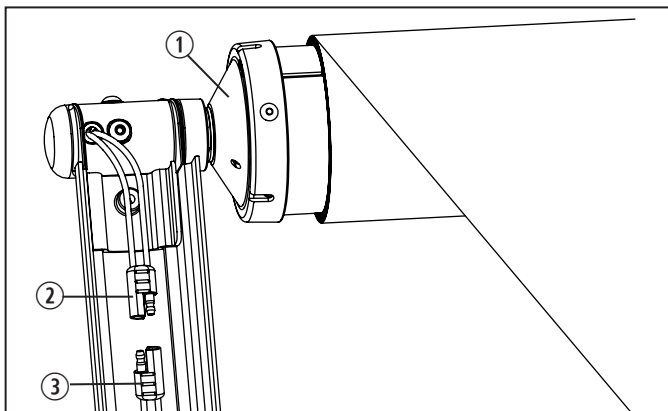
6.4 Wiring the Electrical Connections to the Awning

NOTICE: Use grommets when routing wiring through the RV wall. If grommets are not used, use heat-shrink tubing where the wiring will pass through the RV wall and make sure sealant will provide effective and permanent protection against wire damage.

This section describes how to complete the motor, hardware, and LED Light connections.

6.4.1 Wiring the Motor Connections

1. Shut off the gas supply, disconnect the 120 VAC power from the RV, and disconnect the positive (+) 12 VDC terminal from the supply battery.

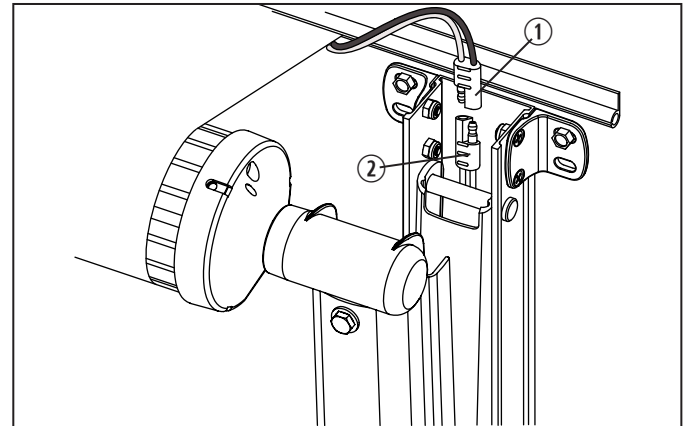


18 Connecting the Motor and Hardware Wiring

- ① Right-Hand End Cap ③ Hardware Wiring
② Motor Wiring
2. Pull the wiring through the wiring hole (and grommet), and connect to the appropriate wiring inside the RV. See “6.1 Installing the Electrical Kits” on page 8.
 3. Connect the motor wiring to the factory pre-wired hardware wiring.
 4. Secure any slack motor or hardware wiring inside the front channel to prevent pinched or damaged wiring during awning operation.

6.4.2 Connecting the LED Light Wiring

1. Shut off the gas supply, disconnect the 120 VAC power from the RV, and disconnect the positive (+) 12 VDC terminal from the supply battery.



19 Connecting the LED Light Wiring

- ① LED Connector ② Hardware Connector
2. Connect the LED light connector to the hardware connector.
 3. Pull the wiring through the wiring hole (and grommet).
 4. Connect the LED switch wiring to the factory pre-wired LED light strip (RED or WHITE wire positive, BLACK wire negative). See “6.1.3 Installing a LED Light Switch” on page 8.
 5. Follow the instructions included with the Dometic LED light switch kit to complete the installation.
 6. Secure the wiring to prevent pinching or other damage during awning operation.
- i** Allow enough slack in the wiring to safely allow possible awning fabric movement.

6.5 Completing the Back Channel Installation

⚠ CAUTION: PINCH HAZARD.

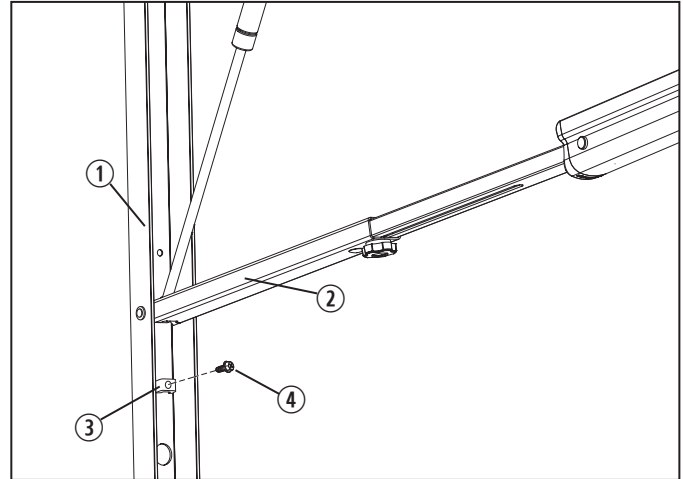
Maintain a horizontal distance of at least 16 in. [406 mm] between the fully open awning and any permanent object. Failure to obey this caution could result in injury.

1. Connect the positive (+) 12 VDC terminal from the supply battery.
2. Fully retract the awning to verify that the hardware is nesting correctly.
3. Open the awning to its full extension.
4. Verify the right-hand back channel is still square to the RV and the FRTA. See Figure 14.
5. Disconnect the positive (+) 12 VDC terminal from the supply battery.
6. Using either the center mounting holes above or below the strut as a guide, drill 3/16 in. diameter holes into the solid structure of the RV. See Figure 14.
 - i** Drill 7/32 in. diameter holes if drilling into steel.
 - i** If the wiring cover is present, it **must** be removed from the right-hand back channel to access the center mounting holes.
7. Verify the wiring is not caught between the hardware and the RV wall.
8. Apply sealant to the Oscar rivets.
9. Insert the Oscar rivets through the back channel (center mounting holes) and secure to the solid structure of the RV. See Figure 16.
 - i** The structural backing (with skin) **must** be 0.4–0.5 in. [10–13 mm] thick to accommodate the Oscar rivets. Alternatively, structural screws may be used to secure the back channel if the RV has structural backing that will support at least 100 lbf/in² [689 kPa] per screw.
10. Replace the wiring cover onto the right-hand back channel, if applicable.
11. Repeat steps 4–9 to complete the left-hand back channel installation.
12. Connect the positive (+) 12 VDC terminal from the supply battery.
13. Fully retract the awning.

6.6 Installing the Bumper Kit

Awnings longer than 21 ft require the installation of a bumper kit. See “Optional Parts and Kits” on page 4.

1. Extend the awning.
2. Shut off the gas supply, disconnect the 120 VAC power from the RV, and disconnect the positive (+) 12 VDC terminal from the supply battery.



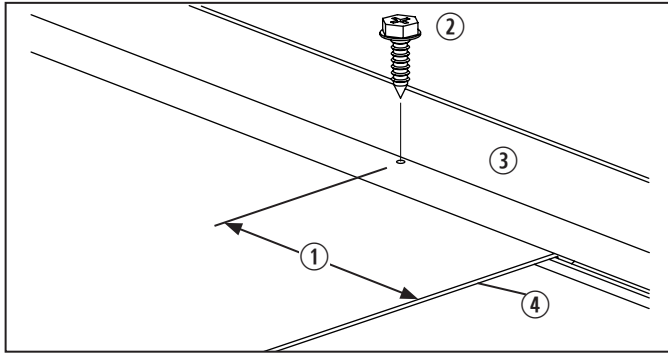
20 Connecting the LED Light Wiring

- | | |
|----------------|----------|
| ① Back Channel | ③ Bumper |
| ② Swing Arm | ④ Screw |
3. Screw the bumper into the right-hand back channel approximately 2 in. [5 mm] below the swing arm.
 4. Repeat step 3 for the left-hand back channel.
 5. Connect the positive (+) 12 VDC terminal from the supply battery.
 6. Fully retract the awning to verify that the hardware is nesting correctly.

6.7 Securing the Awning Fabric to the Awning Rail

1. With power applied to the awning, open and close the awning four or five times to allow the natural self adjustment of the awning fabric.
2. Verify the alignment of the awning fabric, and the proper nesting of hardware.

3. If there is misalignment, adjust the arm assembly:
 - a. Loosen the back channel and top mounting bracket screws.
 - b. Align the back channel.
 - c. Re-tighten the screws.
 - d. Open and close the awning to recheck alignment.



21 Securing the Awning Fabric

- | | |
|-----------------------------------|---------------|
| ① 2 in. [51 mm] | ③ Awning Rail |
| ② #6-20 x 7/16 in. Hex Head Screw | ④ Fabric Edge |

4. Verify the arm assemblies are still nested correctly, then mark the location of the awning fabric edges on the awning rail.
5. Pull on the opposite edge of awning fabric to stretch it approximately 0.8 in. [20 mm].
6. Secure the screw through the awning rail approximately 2 in. [51 mm] from the fabric edge.
7. Fully retract the awning.
8. Verify that the awning is secure for travel. Refer to the instructions in the operations manual.

7 Disposal



Place the packaging material in the appropriate recycling waste bins, whenever possible. Consult a local recycling center or specialist dealer for details about how to dispose of the product in accordance with all applicable national and local regulations.

LIMITED ONE-YEAR WARRANTY

LIMITED ONE-YEAR WARRANTY AVAILABLE AT DOMETIC.COM/EN-US/TERMS-AND-CONDITIONS-CONSUMER/WARRANTY.

IF YOU HAVE QUESTIONS, OR TO OBTAIN A COPY OF THE LIMITED WARRANTY FREE OF CHARGE, CONTACT:

DOMETIC CORPORATION
 CUSTOMER SUPPORT CENTER
 5155 VERDANT DRIVE
 ELKHART, INDIANA 46516
 1-800-544-4881

Copyright

© 2023 Dometic Group. The visual appearance of the contents of this manual is protected by copyright and design law. The underlying technical design and the products contained herein may be protected by design, patent or be patent pending. The trademarks mentioned in this manual belong to Dometic Sweden AB. All rights are reserved.



dometic.com

**YOUR LOCAL
DEALER**

dometic.com/dealer

**YOUR LOCAL
SUPPORT**

dometic.com/contact

**YOUR LOCAL
SALES OFFICE**

dometic.com/sales-offices