

↗ DOMETIC

HOT PRODUCTS

COOKTOP



CI-21

EN **Induction Cooktop**
Installation and Operation Manual2

FR **Plaque de cuisson à induction**
Manuel d'installation et d'utilisation14

⚠ WARNING
Cancer and Reproductive Harm www.P65Warnings.ca.gov



Service Center & Dealer Locations

Visit: www.dometic.com

Please read these instructions carefully and follow all instructions, guidelines, and warnings included in this product manual in order to ensure that you install, use, and maintain the product properly at all times. These instructions **MUST** stay with this product.

By using the product, you hereby confirm that you have read all instructions, guidelines, and warnings carefully and that you understand and agree to abide by the terms and conditions as set forth herein. You agree to use this product only for the intended purpose and application and in accordance with the instructions, guidelines, and warnings as set forth in this product manual as well as in accordance with all applicable laws and regulations. A failure to read and follow the instructions and warnings set forth herein may result in an injury to yourself and others, damage to your product, or damage to other property in the vicinity. This product manual, including the instructions, guidelines, and warnings, and related documentation, may be subject to changes and updates. For up-to-date product information, please visit www.dometic.com.

Contents

1 Explanation of Symbols and Safety Instructions 2

 1.1 Recognize Safety Information 2

 1.2 Understand Signal Words 2

 1.3 Supplemental Directives 3

 1.4 General Safety Messages 3

2 Intended Use 4

3 General Information 5

 3.1 Specifications 5

 3.2 Dimensions and Clearances 5

 3.3 Components 6

 3.4 Control Panel 6

 3.5 Compatible Cookware 6

4 Installation 7

5 Operation 8

 5.1 Using the Touch Controls 9

 5.2 Setting the Power Level 9

 5.3 Setting the Cooking Level 10

 5.4 Turning the Cooktop On 10

 5.5 Using the Timer 11

 5.6 Locking the Control Panel 11

 5.7 Turning the Cooktop Off 11

6 Troubleshooting 12

7 Maintenance 13

8 Disposal 13


Limited Two-Year Warranty 13

IMPORTANT SAFEGUARDS

1 Explanation of Symbols and Safety Instructions


This manual has safety information and instructions to help you eliminate or reduce the risk of accidents and injuries.


1.1 Recognize Safety Information


 **This is the safety alert symbol.** It is used to alert you to potential physical injury hazards. Obey all safety messages that follow this symbol to avoid possible injury or death.

1.2 Understand Signal Words


A signal word will identify safety messages and property damage messages, and also will indicate the degree or level of hazard seriousness.

 **DANGER!**
Indicates a hazardous situation that, if **not** avoided, will result in death or serious injury.

 **WARNING**
Indicates a hazardous situation that, if **not** avoided, could result in death or serious injury.

 **CAUTION**
Indicates a hazardous situation that, if **not** avoided, could result in minor or moderate injury.

NOTICE: Used to address practices **not** related to physical injury.

 Indicates additional information that is **not** related to physical injury.

1.3 Supplemental Directives

To reduce the risk of accidents and injuries, please observe the following directives before proceeding to install or operate this appliance:

- Read and follow all safety information and instructions.
- Read and understand these instructions before installing or operating this product.
- When using electrical appliances, basic safety precautions should always be followed, including all safety messages in this manual. Ignoring safety warnings may result in injuries.
- The installation **must** comply with all applicable local or national codes, including the latest edition of the following standards:

U.S.A.

- ANSI/NFPA70, National Electrical Code (NEC)
- ANSI/NFPA 1192, Recreational Vehicles Code
- UL 858 Household Electric Ranges

Canada

- CSA C22.1, Parts I & II, Canadian Electrical Code
- CSA Z240 RV Series, Recreational Vehicles
- CAN/CSA-C22.2 No. 61 Household Cooking Ranges

1.4 General Safety Messages

⚠ WARNING: ELECTRICAL SHOCK, FIRE, AND/OR BURN HAZARD. Failure to obey the following warnings could result in death or serious injury:

- Use only Dometic replacement parts and components that are specifically approved for use with the cooktop.
- Avoid improper installation, adjustment, alterations, service, or maintenance of the cooktop. Installation, service, and maintenance **must** be done by a qualified service person only.
- Do **not** modify this product in any way. Modification can be extremely hazardous.

- If the cooktop surface or plastic cover is cracked, disconnect it and contact an authorized service center.
- Keep the cooktop out of the reach of children or persons with reduced physical, sensory, or mental capabilities or lack of experience and knowledge, unless they have been given supervision or instruction concerning the use of the cooktop by a person responsible for their safety.
- Children must be closely supervised when using this cooktop. Do **not** allow children to sit or stand on any part of the cooktop. Do **not** let the power cord hang over the counter or table top where children can reach it.
- Do **not** store items of interest to children in cabinets above the cooktop. Children climbing on the cooktop to reach the item could be seriously injured.
- Unplug the power cord by holding the plug, **never** by pulling the cord.
- Do **not** handle the plug with wet hands.
- Do **not** immerse cord, plugs, or the cooktop in water or other liquid. Do **not** directly rinse this cooktop under water. Do **not** spill water, soup, or other liquids into the internal parts of the cooktop.
- Do **not** attempt to modify or lengthen the power cord of this cooktop.
- Do **not** use an extension cord as a replacement for the provided power cord.
- The marked electrical rating of the detachable power-supply cord or extension cord **must** be at least as great as the electrical rating of the cooktop.
- If the cooktop is grounded, the extension cord **must** be a grounded three-wire cord.
- If the power cord is damaged, have it replaced by a qualified service person.
- This cooktop has a polarized plug (one blade is wider than the other). This plug is intended to fit into a polarized outlet only one way. If the plug does **not** fit fully into the outlet, reverse the plug. If it still does **not** fit, contact a qualified electrician. Do **not** attempt to modify the plug in any way.

- **Never** use your cooktop for warming or heating the room.
- Do **not** cook on or clean a broken cooktop. Cleaning solutions or cooking spills may penetrate the broken cooktop.

⚠ WARNING: PACEMAKER HAZARD.

People with heart pacemakers should consult a doctor. Only use the cooktop after confirming that it does **not** affect the pacemaker. Failure to obey this warning could result in death or serious injury.

⚠ WARNING: EXPLOSION HAZARD.

To avoid an explosion caused by heat expansion, **never** heat foods in sealed containers, such as compressed products, cans, or coffee pots. Failure to obey this warning could result in death or serious injury.

⚠ CAUTION: TRIPPING HAZARD. Failure to obey the following warnings could result in death or serious injury:

- A short [less than 4.6 ft (1.4 m)], or detachable, power cord should be used to reduce the risk of becoming entangled in or tripping over the cord.
- A longer detachable power cord or extension cord may be used provided care is exercised in its use.
- Do **not** use the power cord in walkways where it could be tripped over.

NOTICE: Avoid impacts on the heating plate, and do not overload the cooktop. Overloading the cooktop may damage the plastic cover and cooktop plate.

Federal Communications Commission (FCC) Notice

This equipment generates, uses, and can radiate radio frequency energy and, if not installed and used in accordance with the instructions, may cause harmful interference to radio communications. However, there is no guarantee that interference will not occur in a particular installation. If this equipment does cause harmful interference to radio or television reception, which can be determined by turning the equipment off and on, the user is encouraged to try to correct the interference by one or more of the following measures:

- Reorient or relocate the receiving antenna.
- Increase the separation between the equipment and receiver.

- Connect the equipment into an outlet on a circuit different from that to which the receiver is connected.
- Consult the dealer or an experienced radio/ TV technician for help.

Operation is subject to the following conditions:

- This device may not cause harmful interference.
- This device must accept any interference received, including interference that may cause undesired operation.

SAVE THESE INSTRUCTIONS

2 Intended Use

The Induction Cooktop, hereinafter referred to as “cooktop,” is intended for indoor household use and listed similar applications only.

- Staff kitchen areas in shops, offices, and other working environments
- By clients in hotels, motels, bed and breakfasts, and other residential-type environments
- Recreational vehicles (RVs)

It is not for commercial use. Do not use the cooktop for other than its intended use.

The manual provides information that is necessary for the installation, operation, and maintenance of the cooktop.

Poor installation and/or improper operating or maintenance will result in unsatisfactory performance and a possible failure. The manufacturer accepts no liability for any injury or damage to the product resulting from:

- Incorrect assembly or connection, including excess voltage
- Incorrect maintenance or use of spare parts other than the original spare parts provided by the manufacturer
- Alterations to the product without express permission from the manufacturer
- Use for purposes other than those described in this manual

Dometic reserves the right to modify appearances and specifications without notice.

3 General Information

This section provides general information about the cooktop and its components.

The cooktop uses electromagnetic conduction to heat the cookware. It is thermally efficient, safe and reliable, and easy to clean.

Testing and authentication of this product is based on the use of SUS430 cookware [bottom diameter 6 in. (152 mm)].

i The images used in this document are for reference purposes only. Components and component locations may vary according to specific product models. Measurements may vary ±0.38 in. (10 mm).

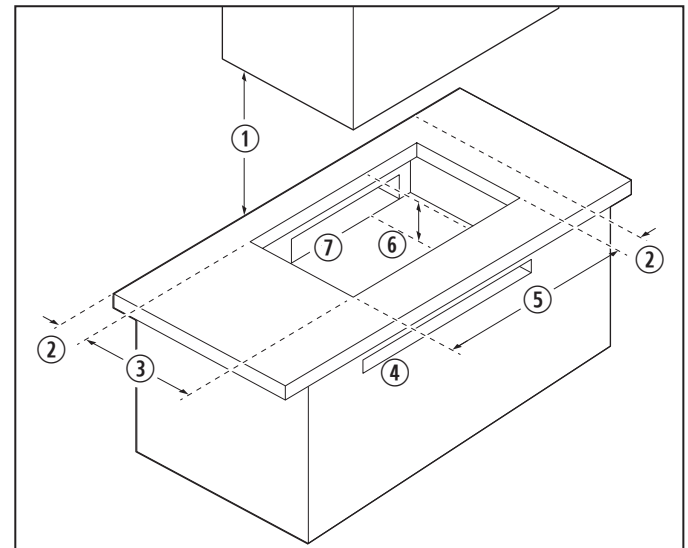
3.1 Specifications

This section provides the electrical specifications and product weight.

Model	CI-21
Applied Voltage/ Frequency	120 VAC, 60 Hz
Low Voltage Protection	80 ± 10V
Low Voltage Recovery	90 ± 10V
High Voltage Protection	140 ± 10V
High Voltage Recovery	130 ± 10V
Left Rated Power	1440 W
Right Rated Power	1440 W
All Rated Power	1440 W
Current Draw	Up to 13.2 A
Dimensions	24.4 in. × 15.0 in. × 2.8 in. (620 mm × 380 mm × 70 mm)
Weight	14.1 lbs (6.4 kg)

3.2 Dimensions and Clearances

This section provides the cutout dimensions and the minimum clearance measurements for installation.

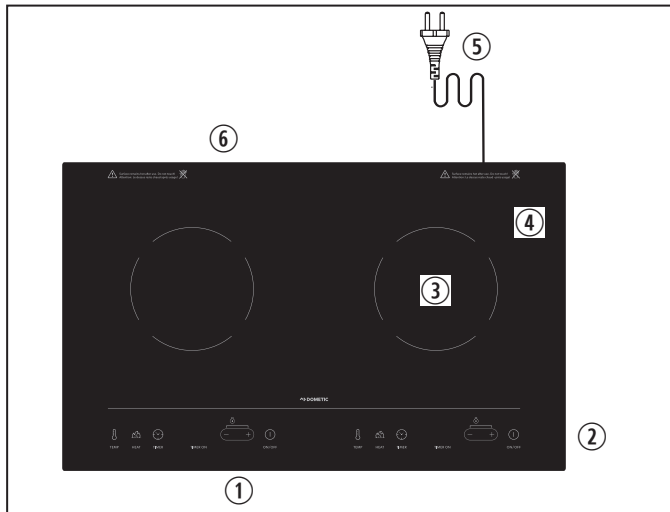


1 Dimensions and Minimum Clearances

	Dimension	Description
①	30.0 in. (762 mm)	Minimum Clearance
②	1.0 in. (25 mm)	Minimum Distance from Cooktop to Wall or Cabinet
③	14.2 in. (361 mm)	Cutout Width
④	8.0 in. (203 mm) x 1.0 in. (25 mm)	Front Ventilation Cutout Dimensions
⑤	23.3 in. (592 mm)	Cutout Length
⑥	6.0 in. (152 mm)	Minimum Distance from Cooktop to a Surface
⑦	1.2 in. (30 mm) x 20.0 in. (508 mm)	Back Ventilation Cutout Dimensions

3.3 Components

This section identifies the main cooktop components.

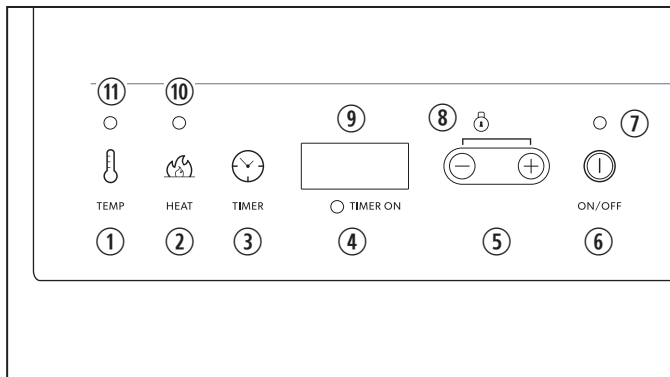


2 Cooktop

- ① Air Inlet
- ② Control Panel
- ③ Cooking Zone
- ④ Ceramic Plate
- ⑤ Power Cord
- ⑥ Air Vent

3.4 Control Panel

This section identifies the cooktop controls.



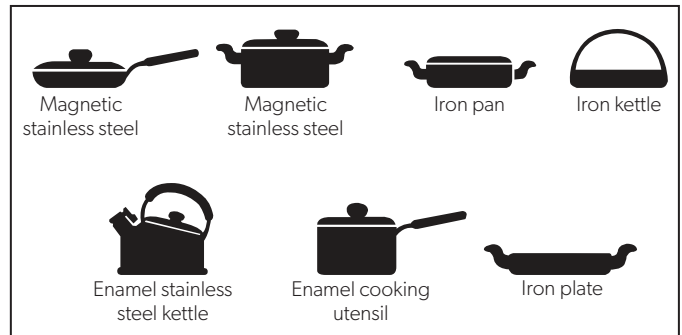
3 Control Panel

Name	Function
① TEMP	Activates temperature mode
② HEAT	Activates heating mode
③ TIMER	Activates the timer
④ TIMER ON LED	Indicates the cooktop is on timed operation

Name	Function
⑤ +/-	Increases or decreases the power level, temperature, or time
⑥ ON/OFF	Turns the cooktop on or off
⑦ ON/OFF LED	Flashes for 1 second to indicate that power has been supplied to the cooktop. Stays lit when the cooktop is turned on
⑧ Lock LED	Indicates the cooktop is locked
⑨ Display	Displays mode, level, timer countdown, and error codes
⑩ HEAT LED	Indicates the cooktop is in heating mode
⑪ TEMP LED	Indicates the cooktop is in temperature mode

3.5 Compatible Cookware

This section describes the type of cookware that is compatible with the cooktop.



4 Compatible Cookware

Induction-compatible cookware contains ferromagnetic materials. In other words, it contains iron or has a layer with magnetic properties. Aluminum, copper or glass cookware will not work unless they have a layer on the bottom with magnetic properties.

i To tell if a pot or pan is induction-compatible, hold a magnet to the bottom. If the magnet clings, the cookware will work on the cooktop.

The cookware must have a flat, smooth bottom with the diameter more than 5 in. (127 mm) and less than 8 in. (203 mm). Using the correct cookware size improves the efficiency of the cooktop.

4 Installation

⚠ WARNING: ELECTRICAL SHOCK AND/OR FIRE HAZARD. Failure to obey the following warnings could result in death or serious injury.

- This cooktop is provided with a 120 VAC power cord and must be plugged into a 120 VAC receptacle that is accessible to the user.
- Do **not** use the cooktop in narrow spaces. When using the cooktop, place it horizontally and allow at least 1 in. (25 mm) of free space between the sides and back of the cooktop and the wall.
- To avoid overheating, do **not** cover the ventilation openings.
- Use a dedicated and high-quality power outlet with a power rating equal to or above 13.2 A. Do **not** use poor quality outlets or share the power outlet with electrical appliances with high-power ratings, such as air conditioners, electrical stoves, etc.

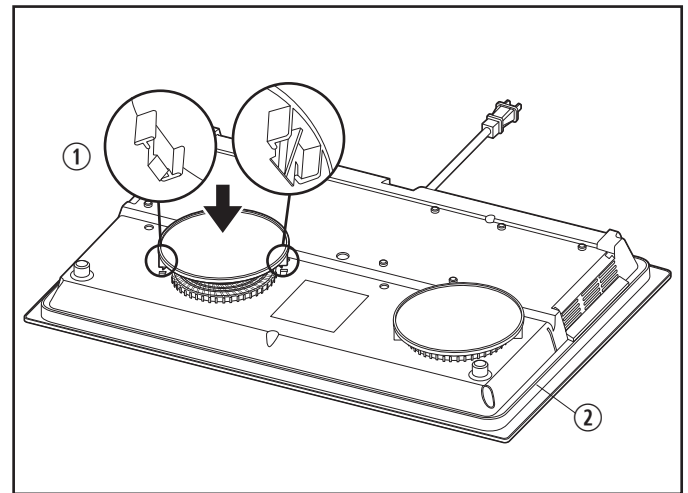
⚠ WARNING: PROJECTILE HAZARD.

This cooktop must be permanently installed in the counter top and secured with glue, silicone, or another secure mounting method. Failure to secure the cooktop permanently could result in the cooktop becoming airborne in the occupant space of the vehicle in the event of an accident. Failure to obey this warning could result in death or serious injury.

- i** Dometic recommends the installation of a convenience disconnect switch, within 3 ft (0.9 m) of the induction cooker, that disconnects the 120 VAC power to the cooktop when not in use.

This section describes how to position, assemble, and install the cooktop.

1. Cut the cooktop and ventilation openings in the counter top. Refer to “Dimensions and Clearances” on page 5.
2. Remove any protective film that may still be on the ceramic plate.

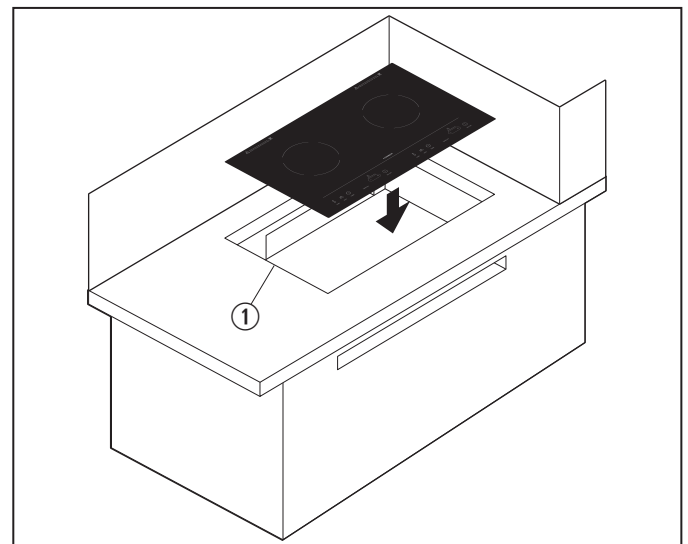


5 Fan Cover Connectors on Cooktop Underside

- ① Fan Cover Connectors ② Sealing Strip

3. Carefully turn the cooktop upside down.
4. Push the fan cover connectors into the holes next to the fans until you hear a click.

- i** The connectors are different sizes. If they don't fit in the holes, turn the fan cover 180°.



6 Placing the Cooktop

- ① Cutout

5. Apply a continuous bead of glue or silicone to the sealing strip.
6. Place the cooktop into the cutout.
7. Verify that the air inlet and air vent align with the corresponding ventilation cutouts.

8. Plug the power cord into a 120 VAC receptacle accessible to the user.

5 Operation

⚠ WARNING: ELECTRICAL SHOCK, FIRE, AND/OR BURN HAZARD. Failure to obey the following warnings could result in death or serious injury:

- Unplug the cooker from the outlet or disconnect power to the outlet when not in use.
- Do **not** operate the cooktop with a damaged cord or plug, or after the cooktop malfunctions or has been damaged in any manner.
- Do **not** let the cord hang over the edge of a table or counter or touch hot surfaces.
- Do **not** use water on grease fires. Smother the fire or flame or use a dry chemical or foam type extinguisher.
- Do **not** operate this appliance by means of an external timer or separate remote-control system.

⚠ WARNING: ELECTRICAL SHOCK HAZARD. Failure to obey the following warnings could result in death or serious injury:

- Shore power is the best option for the cooktop.
- If a generator is used, it must have a pure sine wave output and a minimum power rating of 2000 W.
- The cooktop should **not** be used with inverting power supplies.

⚠ WARNING: FIRE AND/OR BURN HAZARD. Failure to obey the following warnings could result in death or serious injury:

- Flammable materials should **not** be stored near surface units.
- Never leave surface units unattended at high heat settings. Boil over causes smoking and greasy spillovers that may ignite.
- Wear proper apparel. Loose-fitting or hanging garments should never be worn while using the cooktop.
- Use dry potholders only. Moist or damp potholders on hot surfaces may result in burns from steam. Do

not let potholder touch hot heating elements. Do **not** use a towel or other bulky cloth.

- To avoid affecting product performance and to prevent injury, do **not** heat empty pots. When in use, do **not** leave the cooktop without supervision for extended periods. When leaving the cooktop without supervision, make sure that there is enough liquid in the pot.
- Use the proper cookware size. This cooktop is equipped with one or more surface units of different size. Select cookware with flat bottoms large enough to cover the cooking zone. The use of undersized cookware will expose a portion of the ceramic plate to direct contact and may result in ignition of clothing.
- To reduce the risk of burns, ignition of flammable materials, and spillage due to unintentional contact with the cookware, the cookware handle should be positioned so that it is turned inward and does **not** extend over adjacent surface units.
- To avoid danger caused by high temperatures, do **not** heat iron items other than cookware on the cooktop.
- To avoid accidents, do **not** place the cooktop, when in use, on a gas stove. (The magnetic lines can heat the metal parts of the gas stove.)
- When using the cooktop, do **not** put it on any metal surface (such as iron, stainless steel, or aluminum).
- Do **not** place a non-metal pad less than 4.7 in. (12 cm) thick on the ceramic plate.
- To avoid fire, do **not** place paper, aluminum foil, cloth, or other unsuitable articles onto the cooktop ceramic plate for indirect heating.
- To avoid overheating, do **not** use the cooktop on carpet, a tablecloth, or thin paper as they may block the air inlet or air vent openings.
- To avoid fire and/or damage to the electrical components, unplug the power cord from the outlet after use.
- Do **not** use the cooktop near a gas stove, kerosene stove, gas cooker, or other heat source, or in any space with an open fire or an environment with high temperatures.

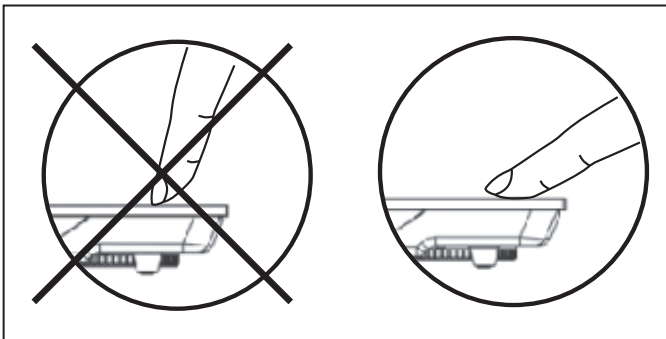
⚠ CAUTION: BURN HAZARD. Failure to obey the following caution could result in minor or moderate injury.

- Do **not** touch surface units or areas near units. Surface units may be hot even though they are dark in color. Areas near surface units may become hot enough to cause burns. During and after use, do **not** touch or let clothing or other flammable materials contact surface units or areas near units until they have had sufficient time to cool.
- Extreme caution must be used when moving an appliance containing hot oil or other hot liquids.
- Be cautious when opening any lid while cooking.
- Do **not** place metallic objects such as knives, forks, spoons and lids on the cooktop since they can get hot.
- Keep utensils away from the immediate area around the ceramic plate.
- To avoid injuries such as scalding, do **not** let children operate the cooktop alone. Be careful of scalding caused by the high temperature.
- When operating the cooktop or after moving the pot, the cooking area will remain hot for a period of time. Do **not** touch it.

5.1 Using the Touch Controls

Consider the following when using the touch controls.

- The controls respond to touch, so you do not need to apply any pressure.



7 Touch Controls

- Use the ball of your finger, not the tip of your finger.
- You will hear a beep each time a touch is registered.

- Make sure the controls are always clean, dry, and that there is no object (e.g., a utensil or a cloth) covering them. Even a thin film of water may make the controls difficult to operate.

5.2 Setting the Power Level

This section describes how to use the controls to set the power level prior to turning on the cooktop.

Touch HEAT to enter heating mode, then press (+) or (-) to select the power level.

Power Level	Wattage
1	300 W
2	500 W
3	750 W
4	800 W
5	850 W
6	900 W
7	950 W
8	1100 W
9	1300 W
10	1440 W

5.3 Setting the Cooking Level

This section describes how to use the controls to set the cooking temperature.



Touch TEMP to enter temperature mode, then press (+) or (-) to select the cooking level.

Cooking Level	Temperature
1	120 °F (49 °C)
2	150 °F (66 °C)
3	180 °F (82 °C)
4	210 °F (99 °C)
5	250 °F (121 °C)
6	300 °F (149 °C)
7	325 °F (163 °C)
8	350 °F (177 °C)
9	375 °F (191 °C)
10	425 °F (218 °C)
11	450 °F (232 °C)

5.4 Turning the Cooktop On

NOTICE: Always verify that the air vents are not blocked prior to operating the cooktop. Do **not** block or insert any foreign object into the air opening.

This section describes how to turn on the cooktop and start cooking.

1. Plug in the cooktop or operate the disconnect switch (if installed). A beep will sound and the ON/OFF indicator flashes for 1 second.
2. Touch ON/OFF. The cooktop will beep once.
3. Select the power level or the cooking level. See "Setting the Power Level" on page 9 or "Setting the Cooking Level" on page 10.
4. Place the cookware on the ceramic plate.
 -  Make sure the cookware contains food or liquid and is placed in the center of the cooking zone.
5. Touch HEAT.
 -  If there is no cookware on the ceramic plate, or the cookware is incompatible, the cooktop will not heat. A beep will sound and the screen will display "U". Ten seconds later, the cooktop will switch off automatically.

5.5 Using the Timer


Use the timer mode with the temperature or heating mode to preset a specific cooking time.

1. While in temperature or heating mode, touch **TIMER**. The **TIMER** indicator lights up and "0:00" will blink on the display.
2. Touch (+) or (-) to adjust the time duration. You can set the timer for a range of time from one minute to three hours.
 - Touch the (+) or (-) briefly to change the time by one minute increments.
 - Touch and hold to adjust by 10 minute increments.
3. When the countdown is done, the cooktop will beep until you touch any key to turn off the timer.

5.6 Locking the Control Panel


To lock the cooktop, touch (+) and (-) at the same time. The lock indicator will light up.

To unlock the cooktop, press (+) and (-) at the same time. The lock indicator will turn off.

 While locked, removing the cookware or touching **ON/OFF** will turn the cooktop off.

5.7 Turning the Cooktop Off

Touch **ON/Off** to turn off the cooktop.

 When using a timer, the cooktop will turn off automatically when the countdown is complete.

6 Troubleshooting

If the recommended solution does not solve the problem, contact an authorized service center.

Problem	Possible Cause	Recommended Solution	
The ON/OFF indicator and display do not light up when the cooktop is plugged in and ON/OFF control is touched.	The power cord is disconnected.	Confirm the power cord is plugged into the cooktop.	
	The disconnect switch (if installed) is switched off.	Confirm the disconnect is switched on.	
	The power receptacle's fuse is blown.	Replace the fuse.	
	There is no power to the receptacle.	Check that the power is on to the receptacle.	
	The power cord is damaged.	<ol style="list-style-type: none"> Inspect the power cord for damage. If damage is found, contact an authorized service center for replacement. 	
The ON/OFF indicator lights up and the display works normally, but the cooktop does not heat up.	The cookware is incompatible.	Use compatible cookware. See "Compatible Cookware" on page 6.	
The cooktop stops heating during the cooking process.	Heating stops when frying.	The oil temperature may be too hot leading to the cooktop overheating. Provide more ventilation around the cooktop or fry at a lower temperature.	
	The temperature is high in the area surrounding the cooktop.	<ol style="list-style-type: none"> Verify that the cooktop installation meets the minimum clearances. See "Dimensions and Clearances" on page 5. Provide more ventilation around the cooktop. 	
	The air inlet or vent is blocked.	Clear any obstruction blocking the air inlet or vent.	
	The timer has expired.	Turn the cooktop on and resume the cooking process.	
	The overheating protection was triggered.	Unplug the cooktop and wait for several minutes, then resume cooking.	
Failure Code	E1	The main sensor is an open circuit.	Contact an authorized service center.
	E2	The main sensor is short circuiting.	Contact an authorized service center.
	E3	The main sensor is hot.	If the ceramic plate is hot, wait until it is cool, then try again.
	E4	The IGBT sensor has a open circuit.	Contact an authorized service center.
	E5	The IGBT sensor has a short circuit.	Contact an authorized service center.
	E6	The IGBT sensor is hot.	If the area surrounding the cooktop is hot, wait until the area is cool, then try again.
	E7	The voltage is low.	Check the voltage. See "Specifications" on page 5.
	E8	The voltage is high.	Check the voltage. See "Specifications" on page 5.
	EA	The dry burning protection circuit has tripped.	Contact an authorized service center.
	EB	The main temperature sensor is not working correctly.	Contact an authorized service center.
	EC	The fan is not working correctly.	Contact an authorized service center.

7 Maintenance

⚠ WARNING: ELECTRICAL SHOCK HAZARD.
Failure to obey the following warnings could result in death or serious injury:

- Avoid letting anything fall into the interior of the cooktop, which could result in a short circuit of the electrical components.
- Protect the cooktop from rodent and insect infestation, dirt, and humidity.

⚠ CAUTION: BURN HAZARD.
 Allow the cooktop to cool before putting on or taking off any parts. Failure to obey this warning could result in moderate or minor injury.

This cooktop should be kept clean during and after use. Before cleaning, turn off the cooktop, unplug the power cord, and wait until the ceramic plate is cool.

- Use glass cleaner and a soft cloth to clean the cooktop.
- Do not use harsh chemicals or abrasives.
- Clean the cooktop regularly to prevent dirt from getting into the fan, which could affect the normal operation of the cooktop.
- Periodically use a soft dry cloth, soft brush, or mini vacuum cleaner to remove any dust or debris from the air inlet and air vent.

8 Disposal



Place the packaging material in the appropriate recycling waste bins, whenever possible. Consult a local recycling center or specialist dealer for details about how to dispose of the product in accordance with all applicable national and local regulations.

LIMITED TWO-YEAR WARRANTY

LIMITED TWO-YEAR WARRANTY AVAILABLE AT WWW.DOMETIC.COM/WARRANTY.

IF YOU HAVE QUESTIONS, OR TO OBTAIN A COPY OF THE LIMITED WARRANTY FREE OF CHARGE, CONTACT:

DOMETIC CORPORATION
 CUSTOMER SUPPORT CENTER
 5155 VERDANT DRIVE
 ELKHART, INDIANA 46516
 1-866-544-4881

Liste des centres de service et des revendeurs

Consultez : www.dometic.com

Veuillez lire attentivement ces instructions et suivre tous les avertissements, instructions et directives inclus dans ce manuel du produit afin de vous assurer que vous installez, utilisez et entretenez le produit correctement à tout moment. Ces consignes DOIVENT être conservées avec ce produit.

En utilisant le produit, vous confirmez par la présente que vous avez lu attentivement tous les avertissements, consignes et directives et que vous comprenez et acceptez de respecter les conditions générales énoncées dans le présent document. Vous acceptez d'utiliser ce produit uniquement pour l'usage et l'application prévus et conformément aux instructions, directives et avertissements figurant dans ce manuel du produit ainsi qu'en accord avec toutes les lois et réglementations applicables. Le fait de ne pas lire et de ne pas suivre les instructions et les avertissements énoncés dans le présent document peut entraîner des blessures pour vous-même et pour d'autres personnes, des dommages à votre produit ou des dommages à d'autres biens situés à proximité. Ce manuel du produit, y compris les instructions, les directives et les avertissements, ainsi que la documentation connexe, peut faire l'objet de modifications et de mises à jour. Pour obtenir des informations à jour sur les produits, veuillez consulter www.dometic.com.

Sommaire

1	Explication des symboles et consignes de sécurité.	14
1.1	Reconnaître les consignes de sécurité	14
1.2	Comprendre les mots-indicateurs	14
1.3	Directives supplémentaires.	15
1.4	Messages de sécurité d'ordre général.	15
2	Utilisation prévue	17
3	Renseignements généraux	17
3.1	Caractéristiques techniques	17
3.2	Dimensions et dégagements	18
3.3	Composants	18
3.4	Panneau de commande	18
3.5	Batterie de cuisine compatible	19
4	Installation	19
5	Fonctionnement	20
5.1	Utilisation des commandes tactiles	22
5.2	Réglage du niveau de puissance	22
5.3	Réglage du niveau de cuisson	23

5.4	Mettre la plaque de cuisson en marche	23
5.5	Utilisation de la minuterie	24
5.6	Verrouillage du panneau de commande	24
5.7	Mettre la plaque de cuisson à l'arrêt	24


6	Dépannage	25
7	Entretien	26
8	Élimination	27
	Garantie limitée de deux ans	27

PROTECTIONS IMPORTANTES

1 Explication des symboles et consignes de sécurité


Ce manuel contient des consignes de sécurité et des directives pour aider l'utilisateur à éliminer ou réduire le risque d'accidents et de blessures.


1.1 Reconnaître les consignes de sécurité

 **C'est le symbole d'alerte à la sécurité.** Il est utilisé pour signaler des risques de blessures. Respectez tous les messages de sécurité qui suivent ce symbole pour éviter les risques de blessures ou de mort.

1.2 Comprendre les mots-indicateurs

Un mot-indicateur identifie les messages de sécurité et les messages liés aux dégâts matériels, et signale aussi le degré ou niveau de gravité du danger.


 **DANGER!**
Indique une situation dangereuse qui, si elle **n'est pas** évitée, causera la mort ou des blessures graves.

 **AVERTISSEMENT**
Indique une situation dangereuse qui, si elle **n'est pas** évitée, peut causer la mort ou des blessures graves.

ATTENTION

Indique une situation dangereuse qui, si elle **n'est pas** évitée, peut causer des blessures légères ou modérées.

AVIS : Utilisé pour signaler des pratiques **non** liées à une blessure physique.

 Fournit des renseignements additionnels **sans rapport** avec des blessures physiques.

1.3 Directives supplémentaires

Pour réduire le risque d'accidents et de blessures, observer les directives suivantes avant de continuer à installer ou utiliser cet appareil :

- Lire et suivre toutes les consignes de sécurité et les instructions.
- Lire et comprendre ces instructions avant d'installer ou d'utiliser ce produit.
- L'utilisation d'appareils électriques implique des précautions de base, y compris toutes celles énoncées dans les consignes de sécurité de ce manuel. Ignorer ces consignes de sécurité pourrait se solder par des blessures.
- L'installation **doit** se conformer à tous les codes locaux ou nationaux applicables, y compris la toute dernière édition des normes suivantes :


États-Unis

- ANSI/NFPA 70, Code national de l'électricité (CNE)
- ANSI/NFPA 1192, Code des véhicules récréatifs
- Cuisinières électriques intérieures 858 certifiées UL

Canada

- CSA C22.1, Parties I et II, Code canadien de l'électricité
- CSA Z240 RV Series, véhicules récréatifs
- CAN/CSA-C22.2 N°61 Cuisinières intérieures

1.4 Messages de sécurité d'ordre général

 **AVERTISSEMENT : RISQUE DE DÉCHARGE ÉLECTRIQUE, DE DÉPART DE FEU ET/OU DE BRÛLURE. Le non-respect de ces avertissements pourrait entraîner de graves blessures, voire la mort :**

- Utiliser uniquement des pièces et composants de rechange Dometic spécifiquement approuvés pour une utilisation avec cette plaque de cuisson.
- Éviter d'installer, d'ajuster, d'altérer ou de réparer cette plaque de cuisson de manière incorrecte. L'installation, les réparations et la maintenance **doivent** être confiées à un agent technique qualifié.
- **Ne pas** modifier ce produit d'une quelconque manière. Une modification peut être extrêmement dangereuse.
- Si la surface de la plaque de cuisson ou le couvercle en plastique est craqué, la débrancher et communiquer avec un centre de service autorisé.
- Tenir la plaque de cuisson hors de portée des enfants ou des personnes avec des capacités physiques, sensorielles ou mentales réduites, ou un manque d'expérience et de connaissances, sauf s'ils sont supervisés ou qu'ils ont reçu des instructions concernant l'utilisation de la plaque de cuisson par une personne responsable de leur sécurité.
- Les enfants doivent être surveillés de près lors de l'utilisation de cette plaque de cuisson. **Ne pas** autoriser les enfants à s'asseoir ou monter sur une quelconque partie de la plaque de cuisson. **Ne pas** laisser le cordon d'alimentation pendre du comptoir ou de la table où les enfants pourraient l'atteindre.
- **Ne pas** ranger d'objets intéressant les enfants dans les armoires au-dessus de la plaque de cuisson. Un enfant grimant sur la plaque de cuisson pour atteindre un tel objet s'expose à des blessures graves.
- Débrancher le câble électrique en le saisissant par la fiche, **jamais** en tirant sur le câble.
- **Ne pas** manipuler la fiche les mains mouillées.

- **Ne pas** immerger le cordon, les prises ou la plaque de cuisson dans l'eau ou autres liquides. **Ne pas** rincer directement la plaque de cuisson sous l'eau. **Ne pas** déverser d'eau, de soupe ou d'autres liquides sur les pièces internes de la plaque de cuisson.
- **Ne pas** essayer de modifier ou de rallonger le câble électrique de cet appareil.
- **Ne pas** utiliser de rallonge électrique à la place du câble électrique fourni.
- Les valeurs nominales relatives à l'électricité du cordon d'alimentation ou de la rallonge électrique **doivent** être au moins aussi élevées que la valeur nominale électrique de la plaque de cuisson.
- Si la plaque de cuisson est mise à la terre, la rallonge électrique **doit** comporter trois fils et être mise à la terre.
- Si le cordon d'alimentation est endommagé, le faire remplacer par un agent technique qualifié.
- Cette plaque de cuisson a une fiche polarisée (une lame plus large que l'autre). Cette fiche rentre seulement dans un sens dans une prise polarisée. Si la fiche ne rentre **pas** complètement dans la prise, la mettre dans l'autre sens. Si elle ne rentre toujours **pas**, contacter un électricien qualifié. **Ne pas** essayer de modifier la fiche d'une quelconque manière.
- **Ne jamais** utiliser l'appareil pour chauffer la pièce.
- **Ne pas** utiliser ou nettoyer une plaque de cuisson brisée. Les solutions de nettoyage ou les déversements de cuisson peuvent pénétrer dans une plaque de cuisson brisée.

⚠ AVERTISSEMENT : DANGER POUR LES PERSONNES AVEC UN STIMULATEUR CARDIAQUE.

Les personnes portant un stimulateur cardiaque doivent consulter un médecin. Utiliser la plaque de cuisson seulement après avoir confirmé qu'elle n'affecte **pas** le stimulateur cardiaque. Le non-respect de cet avertissement pourrait entraîner de graves blessures, voire la mort.

⚠ AVERTISSEMENT : RISQUE D'EXPLOSION.

Pour éviter une explosion causée par la dilatation thermique, **ne jamais** chauffer d'aliments dans des contenants fermés, notamment des produits comprimés, des boîtes de conserve ou des cafetières. Le non-respect de cet avertissement pourrait entraîner de graves blessures, voire la mort.

⚠ ATTENTION : RISQUE DE TRÉBUCHEMENT. Le non-respect de ces avertissements pourrait entraîner de graves blessures, voire la mort :

- Un cordon d'alimentation court [moins de 4,6 pi (1,4 m)] ou détachable devrait toujours être utilisé pour réduire le risque d'enchevêtrement ou de trébuchement avec un cordon plus long.
- Un cordon plus long ou une rallonge électrique peut être utilisé, mais avec précaution.
- **Ne pas** utiliser de rallonge électrique dans les endroits de passage où quelqu'un pourrait trébucher.

AVIS : Éviter de cogner la plaque de cuisson et ne pas la surcharger. La surcharge de la plaque de cuisson risque d'abîmer le couvercle en plastique et la plaque de cuisson.

Avis de la Federal Communications Commission (FCC)

Cet équipement produit, utilise et peut rayonner de l'énergie radiofréquence et, s'il n'est pas installé et utilisé conformément aux instructions, il risque de causer des interférences nuisibles aux communications radio. Toutefois, il n'est pas possible de garantir l'absence d'interférences dans une installation particulière. Si cet équipement cause des interférences nuisibles à la réception radio ou TV, ce qui peut être déterminé en l'éteignant puis en le rallumant, l'utilisateur est invité à essayer de corriger l'interférence en prenant au moins l'une des mesures suivantes :

- Réorienter ou déplacer l'antenne réceptrice.
- Éloigner l'appareil de l'équipement ou du récepteur.
- Brancher l'équipement sur une prise correspondant à un autre circuit que celui sur lequel le récepteur est branché.
- Consulter le revendeur ou un technicien radio/TV pour obtenir de l'aide.

Son utilisation est sujette aux deux conditions suivantes :

- Cet appareil ne doit pas causer d'interférences nuisibles.
- Cet appareil doit accepter toutes les interférences reçues, y compris celles susceptibles de provoquer un fonctionnement indésirable.

CONSERVER CES INSTRUCTIONS

2 Utilisation prévue

La plaque de cuisson à induction, ci-après appelée « plaque de cuisson » est conçue pour être utilisée à l'intérieur et pour les applications semblables indiquées seulement.

- Coins cuisine pour le personnel dans les magasins, bureaux et autres environnements de travail
- Clients dans les hôtels, motels, chambres et petits déjeuners et autres environnements de type résidentiel
- Véhicules récréatifs (VR)

Elle n'est pas conçue pour une utilisation commerciale. Ne pas utiliser la plaque de cuisson à d'autres fins que celle prévue.

Le manuel fournit des informations qui sont nécessaires à l'installation, le fonctionnement et l'entretien de la plaque de cuisson.

Une mauvaise installation ou un mauvais fonctionnement ou entretien entraîneront des performances insatisfaisantes et possiblement, une panne. Le fabricant décline toute responsabilité en cas de blessure ou de dommage au produit résultant de :

- Un assemblage ou une connexion incorrects, y compris la surtension
- Un mauvais entretien ou d'une utilisation inappropriée de pièces de rechange autres que les pièces de rechange d'origine fournies par le fabricant
- Une altération du produit sans la permission expresse du fabricant
- Une utilisation à d'autres fins que celles décrites dans ce manuel

Dometic se réserve le droit de modifier l'apparence et les caractéristiques techniques de l'appareil sans préavis.

3 Renseignements généraux

Cette section fournit des informations générales sur la plaque de cuisson et ses composants.

La plaque de cuisson utilise une conduction électromagnétique pour chauffer les ustensiles de la batterie de cuisine. Elle offre un rendement thermique supérieur, est sans danger et fiable, et elle se nettoie facilement.

L'ensemble des tests et des caractéristiques techniques du produit est basé sur une batterie de cuisine SUS430 [diamètre du fond 6 po (152 mm)].

i Les images utilisées dans ce document sont uniquement fournies à titre de référence. Les composants et leur emplacement peuvent varier selon le modèle. Les mesures peuvent varier de $\pm 0,38$ po (10 mm).

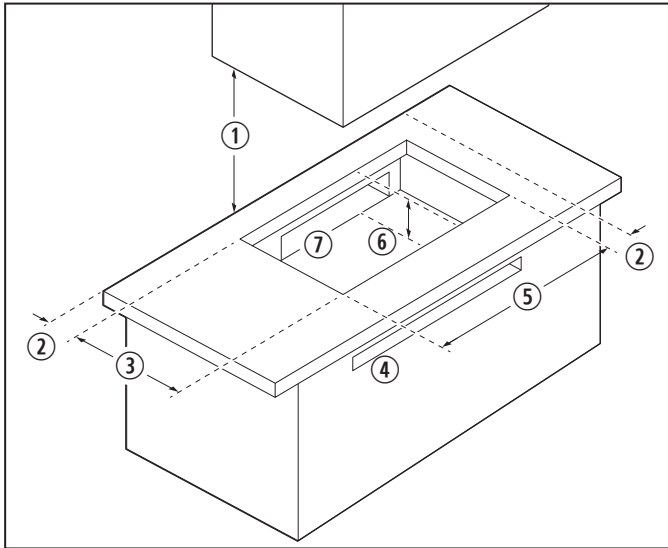
3.1 Caractéristiques techniques

Cette section fournit les caractéristiques électriques et le poids du produit.

Modèle	CI-21
Tension/Fréquence appliquées	120 V c.a., 60 Hz
Protection contre la sous-tension	80 \pm 10 V
Rétablissement basse tension	90 \pm 10 V
Protection haute tension	140 \pm 10 V
Rétablissement haute tension	130 \pm 10 V
Puissance nominale gauche	1440 W
Puissance nominale droite	1440 W
Puissance nominale totale	1440 W
Appel de courant	13,2 A max.
Dimensions	24,4 po \times 15,0 po \times 2,8 po (620 mm \times 380 mm \times 70 mm)
Poids	14,1 lb (6,4 kg)

3.2 Dimensions et dégagements

Cette section fournit les dimensions de la découpe et les mesures pour le dégagement minimum de l'installation.

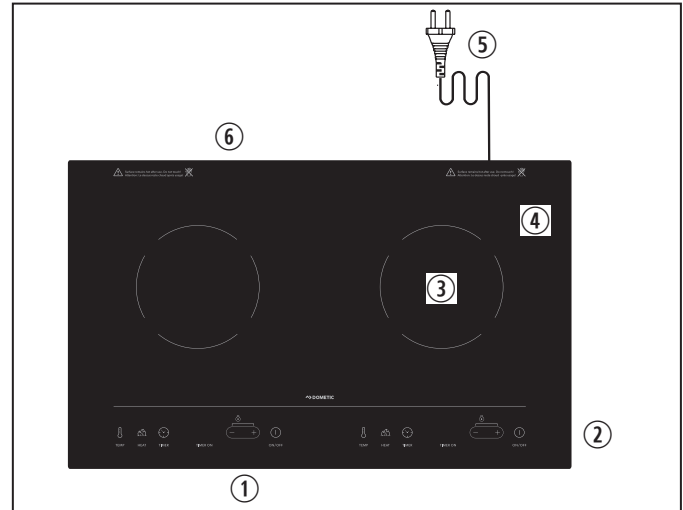


1 Dimensions et dégagements minimums

Dimension	Description
① 30 po (762 mm)	Dégagement minimum
② 1 po (25 mm)	Distance minimum entre la plaque de cuisson et un mur ou une armoire
③ 14,2 po (361 mm)	Largeur de la découpe
④ 8 po (203 mm) x 1 po (25 mm)	Dimensions de découpe de ventilation avant
⑤ 23,3 po (592 mm)	Longueur de la découpe
⑥ 6 po (152 mm)	Distance minimum entre la plaque de cuisson et une surface
⑦ 1,2 po (30 mm) x 20 po (508 mm)	Dimensions de découpe de ventilation arrière

3.3 Composants

Cette section détermine les composants de la plaque de cuisson principale.

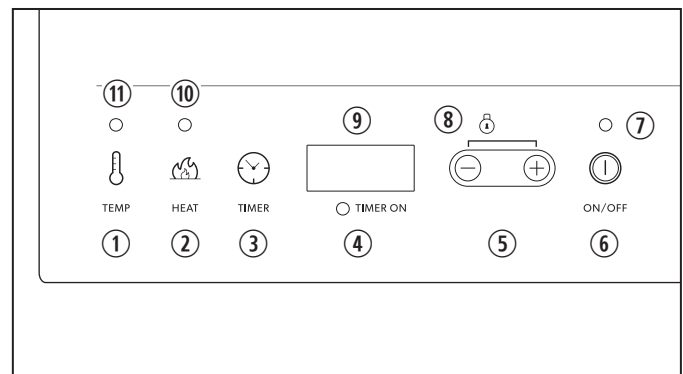


2 Plaque de cuisson

- ① Alimentation d'air
- ② Panneau de commande
- ③ Endroit de cuisson
- ④ Plaque de céramique
- ⑤ Cordon d'alimentation
- ⑥ Évén

3.4 Panneau de commande

Cette section décrit les commandes de la plaque de cuisson



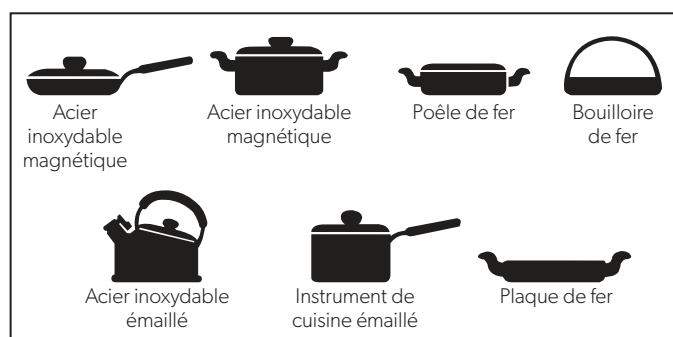
3 Panneau de commande

Nom	Fonction
① TEMP	Active le mode de température
② HEAT (chaleur)	Active le mode de chauffage

	Nom	Fonction
③	TIMER (minuterie)	Active la minuterie
④	TIMER ON LED (minuterie DEL activée)	Indique que la plaque de cuisson fonctionne avec la minuterie
⑤	+/-	Augmente ou diminue le niveau de puissance, la température ou le temps de cuisson
⑥	ON/OFF (marche/arrêt)	Met la plaque de cuisson en marche ou à l'arrêt
⑦	ON/OFF LED (DEL marche/arrêt)	Clignote une seconde pour indiquer que l'alimentation a été envoyée à la plaque de cuisson. Demeure allumée lorsque la plaque de cuisson est en marche
⑧	DEL serrure	Indique que la plaque de cuisson est verrouillée
⑨	Affichage	Affiche le mode, le niveau, le décompte de temps et les codes d'erreur
⑩	HEAT LED (DEL chaleur)	Indique que la plaque de cuisson est en mode de cuisson
⑪	TEMP LED (DEL température)	Indique que la plaque de cuisson est en mode température

3.5 Batterie de cuisine compatible

Cette section décrit le type de batterie de cuisine qui est compatible avec la plaque de cuisson.



4 Batterie de cuisine compatible

Les batteries de cuisine compatibles avec l'induction contiennent des matériaux ferromagnétiques. Autrement dit, elles contiennent du fer ou une couche avec des propriétés magnétiques. Les batteries de cuisine en aluminium, cuivre ou verre ne fonctionneront pas sans une couche au fond avec des propriétés magnétiques.

i Pour savoir si une casserole est compatible avec l'induction, placer un aimant au fond. Si l'aimant reste accroché, la batterie de cuisine fonctionnera sur la plaque de cuisson.

Les ustensiles de la batterie de cuisine doivent avoir un fond plat et lisse avec un diamètre de plus de 5 po (127 mm) et moins de 8 po (203 mm). Utiliser la bonne dimension d'ustensiles de la batterie de cuisine améliore l'efficacité de la plaque de cuisson.

4 Installation

⚠ AVERTISSEMENT : RISQUE DE DÉCHARGE ÉLECTRIQUE ET/OU DE DÉPART DE FEU.
Le non-respect de ces avertissements pourrait entraîner de graves blessures, voire la mort.

- Cette plaque de cuisson est fournie avec un cordon d'alimentation de 120 V c.a. qui doit être branché dans une prise de 120 V c.a. à laquelle l'utilisateur a accès.
- **Ne pas** utiliser la plaque de cuisson dans des espaces restreints. Lors de l'utilisation de la plaque de cuisson, la placer à l'horizontale et laisser au moins 1 po (25 mm) d'espace libre de chaque côté et à l'arrière de la plaque de cuisson par rapport au mur.
- Pour éviter la surchauffe, **ne pas** couvrir les ouvertures de ventilation.
- Utiliser une prise électrique dédiée de haute qualité d'une intensité nominale supérieure ou égale à 13,2 A. **Ne pas** utiliser de prises de qualité médiocre ni partager la prise électrique avec des appareils électriques à puissance nominale élevée, comme les conditionneurs d'air, cuisinières électriques, etc.

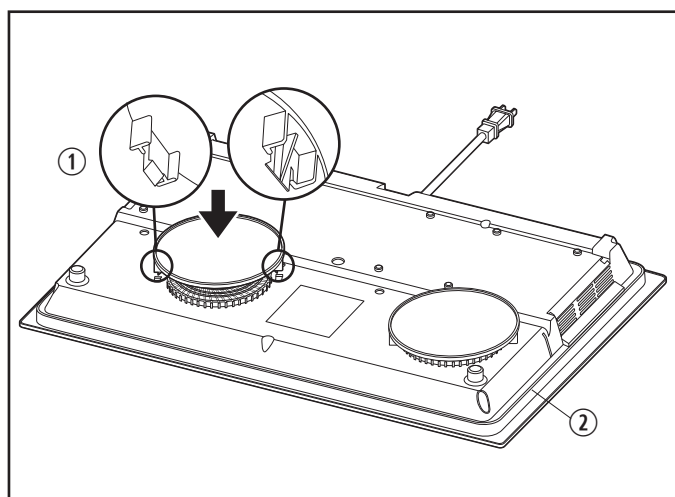
⚠ AVERTISSEMENT : RISQUE DE PROPULSION COMME UN PROJECTILE.

Cette plaque de cuisson doit être installée de façon permanente dans le comptoir et fixée à l'aide de colle, de silicone ou d'une autre méthode d'installation sécuritaire. Si la plaque de cuisson n'est pas fixée de façon permanente, en cas d'accident elle pourrait être projetée dans l'espace des occupants du véhicule. Le non-respect de cet avertissement pourrait entraîner de graves blessures, voire la mort.

- i** Dometic recommande l'installation d'un interrupteur d'alimentation pratique, à 3 pi (0,9 m) maximum de la plaque de cuisson à induction, pour couper l'alimentation 120 V c.a. de la plaque de cuisson lorsque celle-ci n'est pas utilisée.

Cette section décrit comment placer, assembler et installer la plaque de cuisson.

1. Découper les ouvertures de la plaque de cuisson et de la ventilation dans le comptoir. Consulter la page « Dimensions et dégagements » à la page 18.
2. Enlever le film de protection pouvant encore se trouver sur la plaque de céramique.

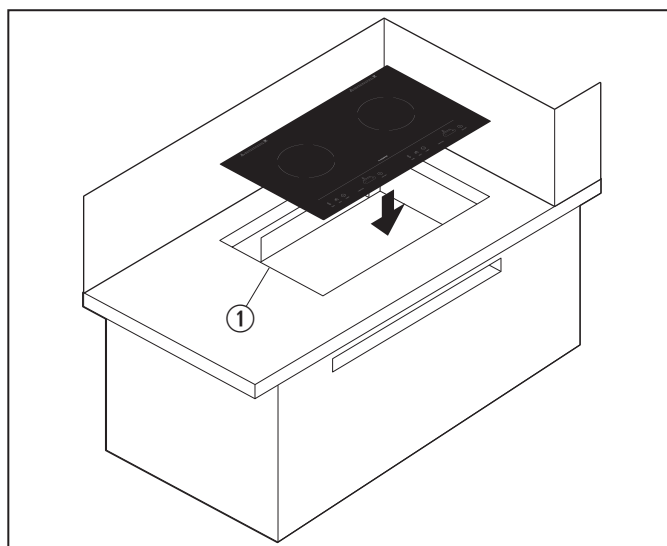


- 5** Les connecteurs du couvercle du ventilateur sur le côté inférieur de la plaque de cuisson

① Connecteurs du couvercle du ventilateur ② Bande d'étanchéité

3. Retourner la plaque de cuisson avec précaution.
4. Pousser les connecteurs des couvercles de ventilateur dans les trous à côté des ventilateurs, jusqu'au dé clic audible.

- i** Les connecteurs sont de tailles différentes. S'ils ne rentrent pas dans les trous, tourner le couvercle de 180°.



- 6** Mise en place de la plaque de cuisson

① Découpe

5. Appliquer un cordon continu de colle ou de silicone sur la bande d'étanchéité.
6. Placer la plaque de cuisson dans la découpe.
7. Vérifier que l'arrivée d'air et l'évent sont alignés avec les découpes de ventilation correspondantes.
8. Brancher le cordon d'alimentation dans une prise de 120 V c.a. accessible pour l'utilisateur.

5 Fonctionnement

⚠ AVERTISSEMENT : RISQUE DE DÉCHARGE ÉLECTRIQUE, DE DÉPART DE FEU ET/OU DE BRÛLURE. Le non-respect de ces avertissements pourrait entraîner de graves blessures, voire la mort :

- Débrancher la plaque de cuisson de la prise ou couper l'alimentation de la prise lorsqu'elle n'est pas utilisée.
- **Ne pas** utiliser la plaque de cuisson avec un cordon ou une fiche électrique abîmé(e), ou si la plaque de cuisson fonctionne mal ou a été endommagée d'une quelconque manière.
- **Ne pas** laisser le câble électrique pendre d'une table ou d'un comptoir ni toucher de surfaces chaudes.

- **Ne pas** utiliser d'eau sur les feux de graisse. Éteindre le feu ou la flamme ou utiliser de la poudre extinctrice ou un extincteur à mousse.
- **Ne pas** utiliser cet appareil avec une minuterie extérieure ou une télécommande séparée.

⚠ AVERTISSEMENT : RISQUE DE DÉCHARGE ÉLECTRIQUE. Le non-respect de ces avertissements pourrait entraîner de graves blessures, voire la mort :

- L'alimentation à quai est la meilleure option pour la plaque de cuisson.
- Si un groupe électrogène est utilisé, il doit avoir une onde de sortie de type sinusoïdale pure et une puissance nominale minimum de 2 000 W.
- La plaque de cuisson ne doit **pas** être utilisée avec des onduleurs.

⚠ AVERTISSEMENT : RISQUE DE DÉPART DE FEU ET/OU DE BRÛLURE. Le non-respect de ces avertissements pourrait entraîner de graves blessures, voire la mort :

- **Ne pas** placer de matières inflammables près des inducteurs.
- Ne jamais laisser les inducteurs sans surveillance lorsqu'ils sont utilisés à des réglages de température élevés. Les bouillonnements causent de la fumée et des débordements gras qui peuvent s'enflammer.
- Porter des vêtements adéquats. Ne jamais porter de vêtements amples ou qui pendent lors de l'utilisation de la plaque de cuisson.
- Utiliser seulement des maniques sèches. Les maniques humides ou mouillées sur des surfaces chaudes peuvent causer des brûlures résultant de la vapeur dégagée. **Ne pas** mettre une manique en contact avec les éléments chauffants. **Ne pas** utiliser de serviette ou un autre chiffon encombrant.
- Pour éviter de nuire à la performance du produit et éviter les blessures, **ne pas** faire chauffer de casseroles vides. En cours d'utilisation, **ne pas** laisser la plaque de cuisson sans supervision pendant de longues périodes. Si la plaque de cuisson est laissée sans supervision, s'assurer qu'il y a assez de liquide dans la casserole.

- Utiliser la bonne dimension d'ustensiles de la batterie de cuisine. Cette plaque de cuisson est équipée d'un ou de plusieurs inducteurs de tailles différentes. Choisir un ustensile de la batterie de cuisine avec un fond plat assez large pour couvrir toute la zone de cuisson. L'utilisation d'ustensiles de la batterie de cuisine de taille insuffisante exposera une partie de la plaque de céramique au contact direct et peut entraîner l'inflammation de vêtements.
- Pour réduire le risque de brûlures, d'inflammation de matières inflammables et de débordement suite à un contact accidentel avec les ustensiles de la batterie de cuisine, le manche doit être tourné vers l'intérieur et **ne pas** dépasser sur les inducteurs adjacents.
- **Ne pas** faire chauffer d'objets en fer sur la plaque de cuisson autre que la batterie de cuisine pour éviter tout danger causé par des températures élevées.
- Pour éviter les accidents, **ne pas** placer la plaque de cuisson, en cours d'utilisation, sur une cuisinière à gaz. (Les lignes magnétiques peuvent faire chauffer les pièces métalliques de la cuisinière à gaz.)
- Pendant l'utilisation, **ne pas** placer la plaque de cuisson sur une surface de métal (comme du fer, de l'acier inoxydable ou de l'aluminium).
- **Ne pas** placer une couche non métallique de moins de 4,7 po (12 cm) d'épaisseur sur la plaque de céramique.
- Pour éviter un incendie, **ne pas** placer de papier, de papier d'aluminium ou d'autres articles inadaptés sur la céramique de la plaque chauffante pour un chauffage indirect.
- Pour éviter de surchauffer, **ne pas** utiliser la plaque de cuisson sur du tapis, une nappe ou du papier fin, car les ouvertures pour l'entrée d'air ou l'évent pourraient être bloquées.
- Débrancher le câble électrique de la prise après utilisation pour éviter tout départ de feu ou endommagement des composants électriques.
- **Ne pas** utiliser la plaque de cuisson près d'une cuisinière à gaz, d'un poêle à kérosène ou d'une autre source de chaleur, ou dans tout espace comportant une flamme nue ou un environnement où règne une forte chaleur.

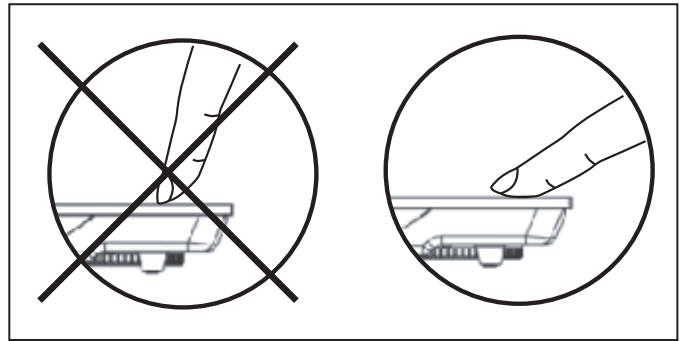
⚠ ATTENTION : RISQUE DE BRÛLURE. Le non-respect de la mise en garde suivante pourrait entraîner des blessures légères ou modérées.

- **Ne pas** toucher les inducteurs ou les zones avoisinantes. Les inducteurs peuvent être chauds, même lorsqu'ils sont éteints. Les zones près des inducteurs peuvent chauffer suffisamment pour causer des brûlures. Durant et après l'utilisation, **ne pas** toucher ou laisser de vêtements ou d'autres matières inflammables entrer en contact avec les inducteurs ou les zones avoisinantes tant qu'ils n'auront pas eu le temps de suffisamment refroidir.
- Faire extrêmement attention en déplaçant un appareil contenant de l'huile brûlante ou d'autres liquides brûlants.
- Faire attention en ouvrant un couvercle en cours de cuisson.
- **Ne pas** placer d'objets métalliques tels que des couteaux, des fourchettes, des cuillères et des couvercles sur la plaque de cuisson, car ils peuvent devenir très chauds.
- Garder les ustensiles loin de la zone près de la plaque de céramique.
- Pour éviter les blessures telles qu'un ébouillantage, **ne pas** laisser les enfants utiliser seuls cette plaque de cuisson. Faire attention aux brûlures causées par les hautes températures.
- Durant le fonctionnement de la plaque de cuisson ou après le retrait de la casserole, la surface de cuisson restera chaude pendant un certain temps. **Ne pas** la toucher.

5.1 Utilisation des commandes tactiles

Prendre ce qui suit en compte lors de l'utilisation des commandes tactiles.

- Les commandes réagissent au toucher; par conséquent, inutile d'appuyer dessus.



7 Commandes tactiles

- Utiliser le coussinet du doigt, pas le bout du doigt.
- Un bip retentira chaque fois qu'un contact sera détecté.
- S'assurer que les commandes sont toujours propres, sèches et qu'aucun objet (par exemple, un ustensile ou un chiffon) ne les couvre. Une fine pellicule d'eau peut même rendre les commandes difficiles à utiliser.

5.2 Réglage du niveau de puissance

Cette section décrit la façon d'utiliser les commandes pour régler le niveau de puissance avant de mettre la plaque de cuisson en marche.

Toucher HEAT (chaleur) pour entrer le mode de chaleur, puis appuyer sur (+) ou (-) pour sélectionner le niveau de puissance.

Niveau de puissance	Puissance
1	300 W
2	500 W
3	750 W
4	800 W
5	850 W
6	900 W
7	950 W
8	1100 W
9	1300 W
10	1440 W

5.3 Réglage du niveau de cuisson

Cette section décrit l'utilisation des commandes pour régler la température de cuisson.

Toucher TEMP (température) pour entrer le mode de température, puis appuyer sur (+) ou (-) pour sélectionner le niveau de cuisson.



Niveau de cuisson	Température
1	120 °F (49 °C)
2	150 °F (66 °C)
3	180 °F (82 °C)
4	210 °F (99 °C)
5	250 °F (121 °C)
6	300 °F (149 °C)
7	325 °F (163 °C)
8	350 °F (177 °C)
9	375 °F (191 °C)
10	425 °F (218 °C)
11	450 °F (232 °C)

5.4 Mettre la plaque de cuisson en marche

AVIS : Avant de faire fonctionner la plaque de cuisson, toujours vérifier que les événements ne sont pas bloqués.

Ne pas bloquer ou insérer des objets dans les ouvertures de ventilation.

Cette section décrit comment mettre la plaque de cuisson en marche et commencer à cuisiner.

1. Brancher la plaque de cuisson ou mettre l'interrupteur d'alimentation en marche (le cas échéant). Un bip se fera entendre et l'indicateur ON/OFF (marche/arrêt) clignotera pendant 1 seconde.
2. Toucher ON/OFF (marche/arrêt) La plaque de cuisson émettra un bip.
3. Sélectionner le niveau de puissance ou le niveau de cuisson. Consulter « Réglage du niveau de puissance » à la page 22 ou « Réglage du niveau de cuisson » à la page 23.
4. Placer l'ustensile de la batterie de cuisine sur la plaque de cuisson.
 -  S'assurer que l'ustensile de la batterie de cuisine contient de la nourriture ou du liquide et est placé au centre de la zone de cuisson.
5. Toucher HEAT (chaleur).
 -  S'il n'y a pas d'ustensile de la batterie de cuisine sur la plaque de céramique ou qu'il n'est pas compatible, la plaque de cuisson ne chauffera pas. Un bip se fera entendre et l'écran affichera « U ». Dix secondes plus tard, la plaque se mettra automatiquement hors tension.

5.5 Utilisation de la minuterie


Utiliser le mode minuterie avec le mode de température ou de chaleur pour prérégler un temps de cuisson précis.

1. En mode température ou chaleur, toucher sur TIMER (minuterie). L'indicateur de la minuterie s'allume et « 0:00 » clignote sur l'affichage.
2. Toucher (+) ou (-) pour régler la durée. La minuterie peut être réglée pour une plage de temps d'une minute à trois heures.
 - Toucher brièvement le (+) ou (-) pour modifier le temps par incréments d'une minute.
 - Appuyer en continu pour l'ajuster par incréments de 10 minutes.
3. Une fois le compte à rebours terminé, la plaque de cuisson bippe jusqu'à ce que l'utilisateur touche n'importe quelle touche.

5.6 Verrouillage du panneau de commande


Pour verrouiller la plaque de cuisson, toucher (+) et (-) en même temps. Le cadenas s'allume.

Pour déverrouiller la plaque de cuisson, appuyer sur (+) et (-) en même temps. Le cadenas s'éteint.

-  Lorsque verrouillée, retirer l'ustensile de la batterie de cuisine ou toucher ON/OFF (marche/arrêt) mettra la plaque de cuisson hors tension.

5.7 Mettre la plaque de cuisson à l'arrêt

Toucher ON/OFF (marche/arrêt) pour mettre la plaque de cuisson à l'arrêt.

-  Lors de l'utilisation d'une minuterie, la plaque de cuisson s'arrêtera de fonctionner automatiquement lorsque le décompte est terminé.

6 Dépannage

Si la solution recommandée ne règle pas de problème, communiquer avec un centre de service autorisé.

Problème	Cause possible	Solution recommandée
L'indicateur ON/OFF (marche/arrêt) et l'affichage ne s'allument pas lorsque la plaque de cuisson est branchée et que la commande ON/OFF est touchée.	Le cordon d'alimentation est débranché.	Vérifier que le cordon d'alimentation est branché dans la plaque de cuisson.
	L'interrupteur d'alimentation (le cas échéant) est à l'arrêt.	Confirmer que l'interrupteur d'alimentation est à la position de marche.
	Le fusible de la prise de courant a sauté.	Remplacer le fusible.
	Il n'y a pas d'alimentation à la prise de courant.	Vérifier que l'alimentation à la prise est en fonction.
Le voyant ON/OFF s'allume et l'affichage fonctionne normalement, mais la plaque de cuisson ne chauffe pas.	Le cordon d'alimentation est endommagé.	<ol style="list-style-type: none"> 1. Inspecter le cordon d'alimentation en cas de dommage. 2. S'il est endommagé, communiquer avec un centre de service autorisé.
	La batterie de cuisine n'est pas compatible.	Utiliser une batterie de cuisine compatible. Consulter « Batterie de cuisine compatible » à la page 19.
La plaque de cuisson cesse de fonctionner pendant le processus de cuisson.	La chaleur cesse lorsqu'il y a friture.	La température de l'huile pourrait être trop élevée, entraînant une surchauffe de la plaque de cuisson. Fournir davantage de ventilation autour de la plaque de cuisson ou frire à une température plus basse.
	La température est élevée autour de la plaque de cuisson.	<ol style="list-style-type: none"> 1. Vérifier que l'installation de la plaque de cuisson est conforme avec les dégagements minimums. Consulter « Dimensions et dégagements » à la page 18. 2. Fournir davantage de ventilation autour de la plaque de cuisson.
	L'alimentation d'air ou l'évent est bloqué.	Dégager toute obstruction qui bloque l'alimentation d'air ou l'évent.
	La minuterie est expirée.	Mettre la plaque de cuisson en marche et recommencer le processus de cuisson.
	La protection contre la surchauffe a été déclenchée.	Débrancher la plaque de cuisson et attendre plusieurs minutes, puis recommencer la cuisson.

Problème	Cause possible		Solution recommandée
Code d'erreur	E1	Le circuit du capteur principal est ouvert.	Communiquer avec un centre de service autorisé.
	E2	Le capteur principal est court-circuité.	Communiquer avec un centre de service autorisé.
	E3	Le capteur principal est chaud.	Si la plaque de céramique est chaude, attendre qu'elle refroidisse et essayer à nouveau.
	E4	Le capteur IGBT a un circuit ouvert.	Communiquer avec un centre de service autorisé.
	E5	Le capteur IGBT a un court-circuit.	Communiquer avec un centre de service autorisé.
	E6	Le capteur IGBT est chaud.	Si la zone autour de la plaque de cuisson est chaude, attendre qu'elle se refroidisse et essayer à nouveau.
	E7	La tension est basse.	Vérifier la tension. Voir « Caractéristiques techniques » à la page 17.
	E8	La tension est élevée.	Vérifier la tension. Voir « Caractéristiques techniques » à la page 17.
	EA	Le circuit de protection contre un fonctionnement à sec a sauté.	Communiquer avec un centre de service autorisé.
	EB	Le capteur principal de température ne fonctionne pas correctement.	Communiquer avec un centre de service autorisé.
	EC	Le ventilateur ne fonctionne pas correctement.	Communiquer avec un centre de service autorisé.

7 Entretien

⚠ AVERTISSEMENT : RISQUE DE DÉCHARGE ÉLECTRIQUE. Le non-respect de ces avertissements pourrait entraîner de graves blessures, voire la mort :

- Éviter de laisser quoi que ce soit tomber à l'intérieur de la plaque de cuisson; cela pourrait causer un court-circuit au niveau des composants électriques.
- Protéger la plaque de cuisson contre les rongeurs et les infestations d'insectes, la poussière et l'humidité.

⚠ ATTENTION : RISQUE DE BRÛLURE.

Laisser refroidir la plaque de cuisson avant d'ajouter ou d'enlever des pièces. Le non-respect de cette mise en garde pourrait entraîner des blessures légères ou modérées.

Cette plaque de cuisson doit être maintenue propre durant et après l'utilisation. Avant de nettoyer la plaque de cuisson, la mettre à l'arrêt, débrancher le cordon d'alimentation et attendre jusqu'à ce que la plaque de céramique soit refroidie.

- Utiliser du nettoyant pour vitres et un chiffon doux pour nettoyer la plaque de cuisson.
- Ne pas utiliser de produits chimiques puissants ou abrasifs.
- Nettoyer régulièrement la plaque de cuisson pour empêcher les saletés d'entrer dans le ventilateur, ce qui pourrait affecter le fonctionnement de la plaque de cuisson.
- De façon périodique, utiliser un chiffon doux sec, une brosse souple ou un aspirateur miniature pour retirer tout débris ou poussière de l'alimentation en air et l'évent.

8 Élimination



Placez les matériaux d'emballage dans les bacs de recyclage appropriés, si possible. Consultez un centre de recyclage local ou un revendeur spécialisé pour en savoir plus sur l'élimination du produit conformément à toutes les réglementations nationales et locales applicables.

GARANTIE LIMITÉE DE DEUX ANS

GARANTIE LIMITÉE DE DEUX ANS DISPONIBLE À WWW.DOMETIC.COM/WARRANTY.

POUR TOUTE QUESTION OU POUR OBTENIR UNE COPIE GRATUITE DE LA GARANTIE LIMITÉE, CONTACTEZ :

DOMETIC CORPORATION
CUSTOMER SUPPORT CENTER
5155 VERDANT DRIVE
ELKHART, INDIANA, É.-U. 46516
1 800 544-4881



dometic.com

**YOUR LOCAL
DEALER**

dometic.com/dealer

**YOUR LOCAL
SUPPORT**

dometic.com/contact

**YOUR LOCAL
SALES OFFICE**

dometic.com/sales-offices
