

↗ DOMETIC

REFRIGERATION

RF

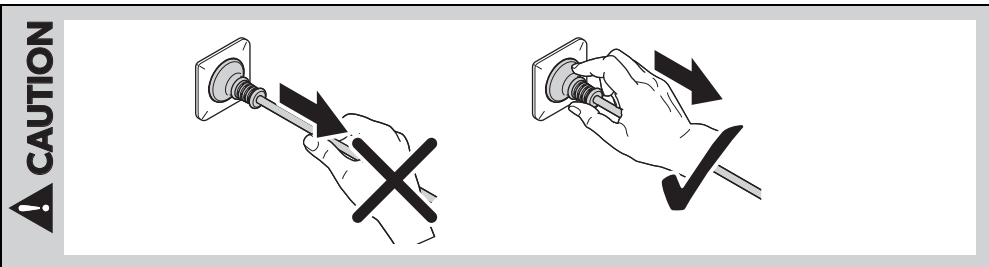
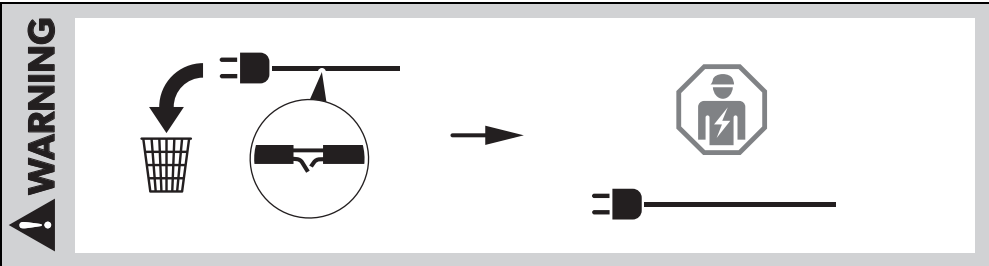
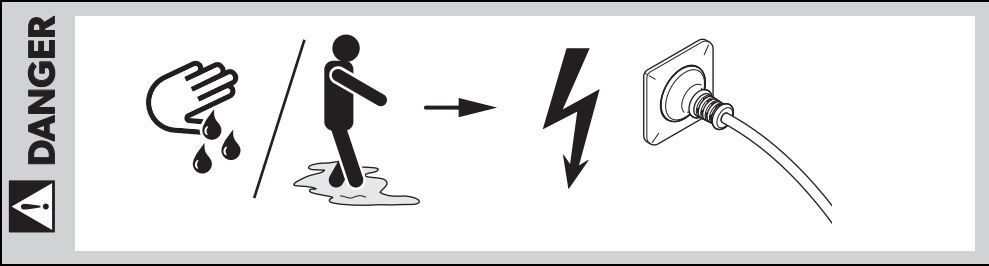


RF60, RF62

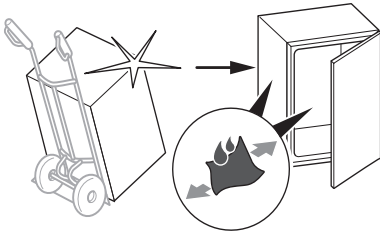
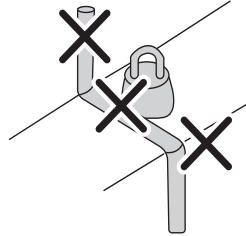
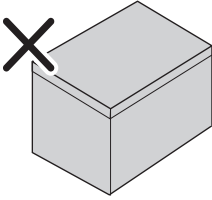
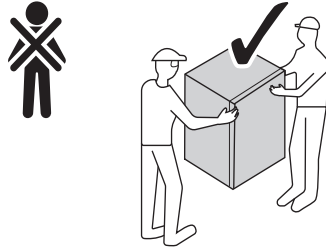
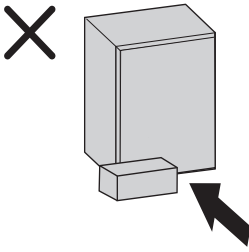
EN	Absorber refrigerator Short operating manual	14
DE	Absorber-Kühlschrank Kurzbedienungsanleitung	19
FR	Réfrigérateur à absorption Guide rapide	24
ES	Nevera con extractor Guía rápida	29
PT	Frigorífico de absorção Manual do utilizador resumido	34
IT	Frigorifero ad assorbimento Manuale dell'utente breve	39
NL	Absorptiekoelkast Korte gebruikershandleiding	44
DA	Absorber-køleskab Lynvejledning	49
SV	Absorptionskylskåp Kortfattad användarhandbok	54

NO	Absorbsjons-kjøleskap Hurtigveiledning	59
FI	Absorptiojäakaappi Pikaopas	64
PL	Lodówka absorpcyjna Krótka instrukcja obsługi	69
SK	Absorpčná chladnička Stručný návod	74
CS	Absorpční lednička Stručný návod	79
HU	Abszorberes hűtőszekrény Rövid használati útmutató	84
HR	Apsorpcijski hladnjak Kratke upute za rukovanje	89
TR	Fırınli absorpsiyonlu Kısa Kullanım Kılavuzu	94
SL	Absorpcijski hladilnik Kratek priročnik za uporabo	99
RO	Frigider cu absorbtie Manual scurt de utilizare	104
BG	Абсорбиращ хладилник Кратко ръководство за работа	110
ET	Absorptsioonkülmik Lühike kasutusjuhend	115
EL	Ψυγείο υγραερίου / ρεύματος Συνοπτικό εγχειρίδιο χρήσης	120
LT	Absorbicinis šaldytuvas Trumpas naudojimo vadovas	126
LV	Absorbijas ledusskapis Īsā uzstādīšanas un lietošanas rokasgrāmata	131

© 2024 Dometic Group. The visual appearance of the contents of this manual is protected by copyright and design law. The underlying technical design and the products contained herein may be protected by design, patent or pending patent. The trademarks mentioned in this manual belong to Dometic Sweden AB. All rights are reserved.

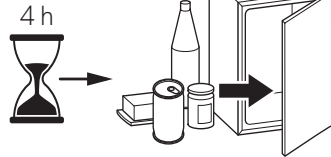


NOTICE

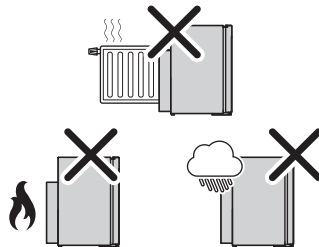
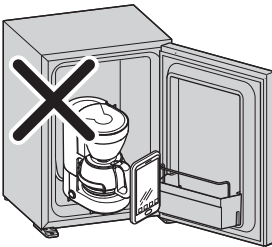


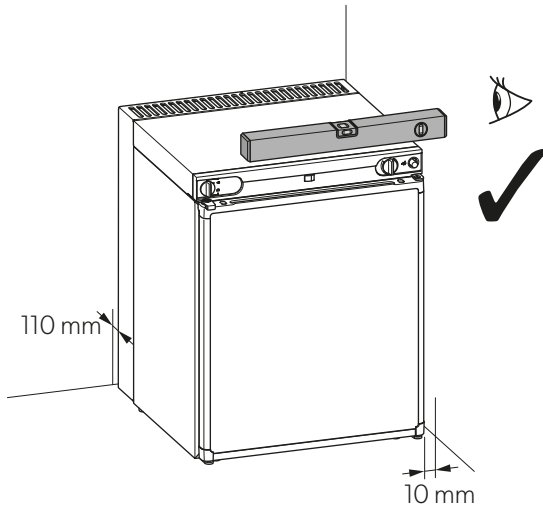
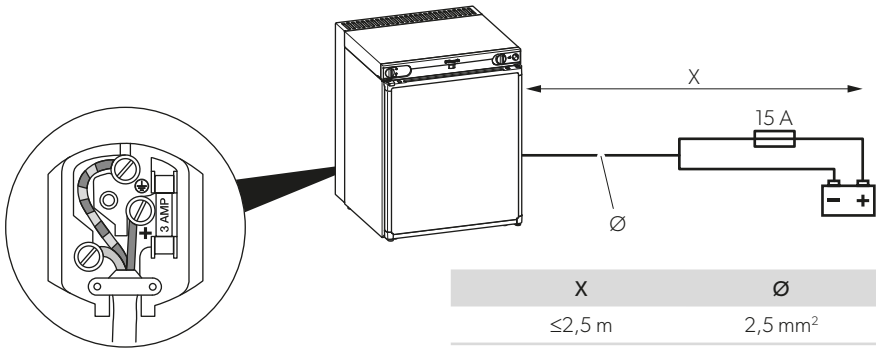
OFF 

ON 

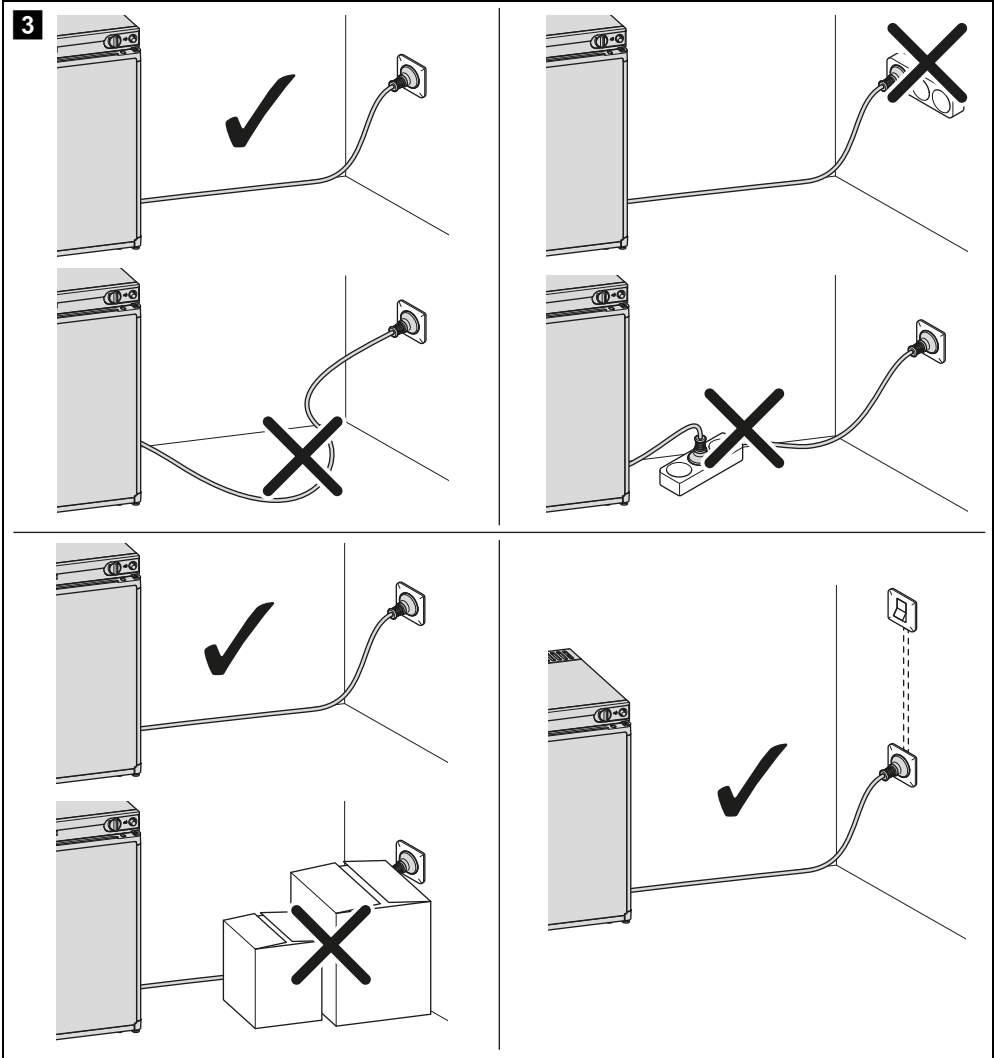


NOTICE



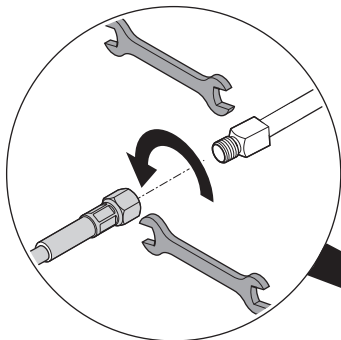
1**2**

X	Ø
≤2,5 m	2,5 mm ²
2,5 m – 4,0 m	4,0 mm ²
4,0 m – 6,0 m	6,0 mm ²

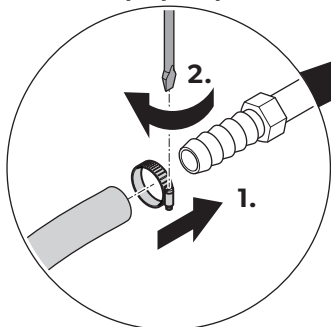


4

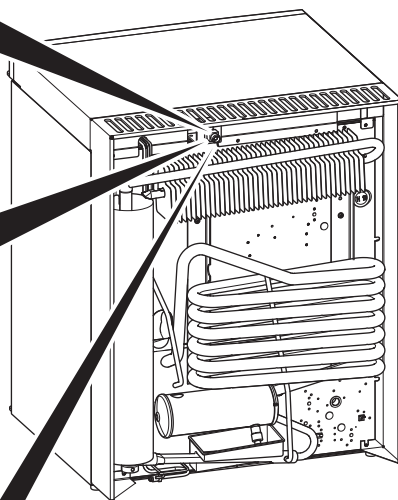
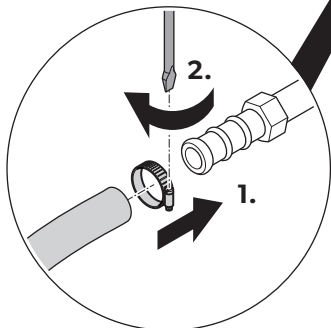
DE, AT, CH, LU



DK, FI, NO, S



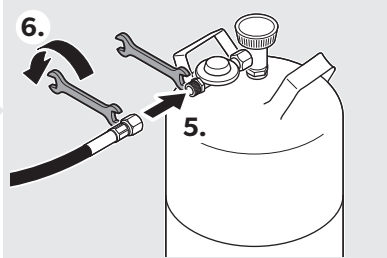
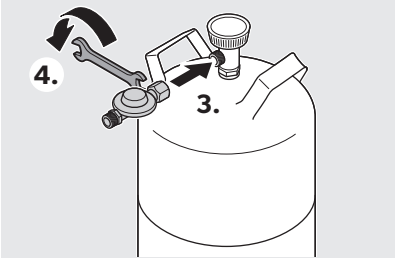
F, H, NL, PL, SK, CZ, I, P, E, GB



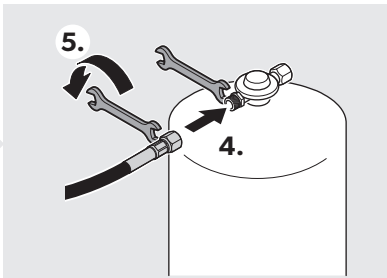
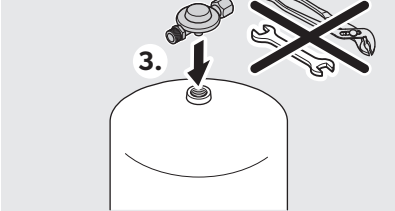


DE, AT, CH, LU	I ₃ B/P – 50 mbar
DK, FI, HU, NO, PL, SE	I ₃ B/P – 30 mbar
BE, CZ, ES, FR, GB, IT, NL, PT, SK	I ₃ ± 28 - 30/37 mbar

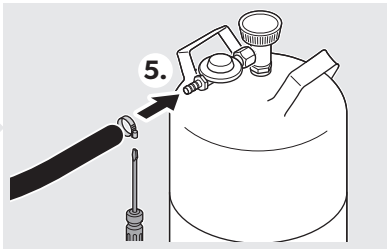
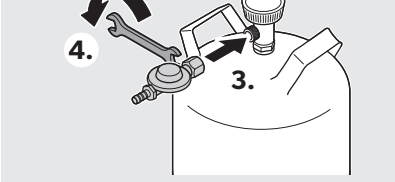
DE, AT, CH, PL



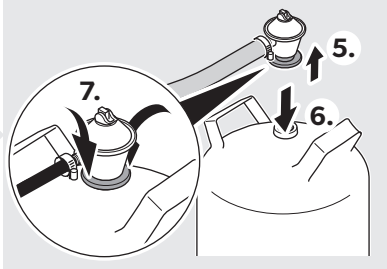
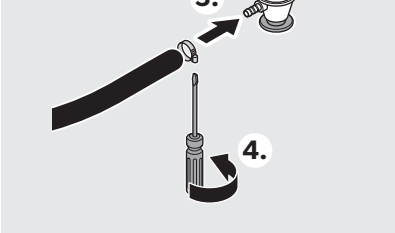
DE, AT, CH, LU, DK, ES, FR, IE, IT, SE



CZ, ES, FR, GB, IT, NL, PT, SE, SK

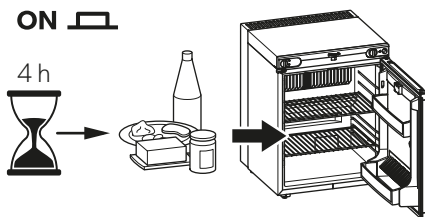
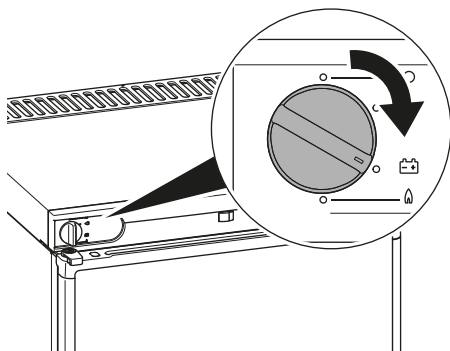


DK, FI, NO



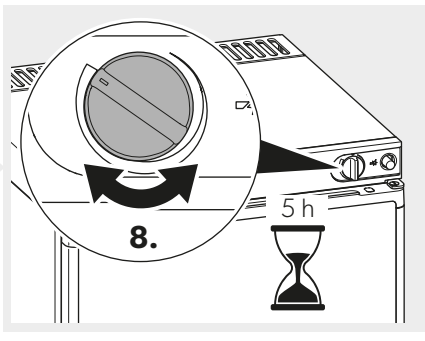
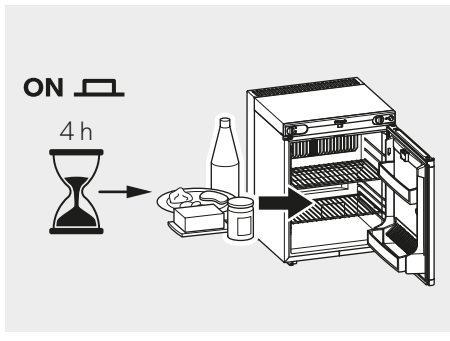
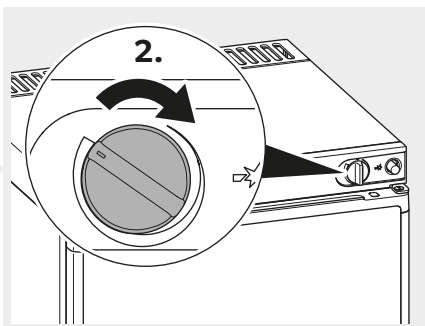
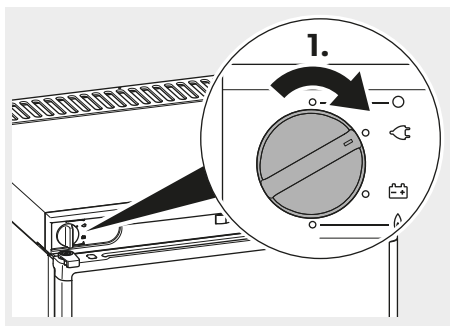
6

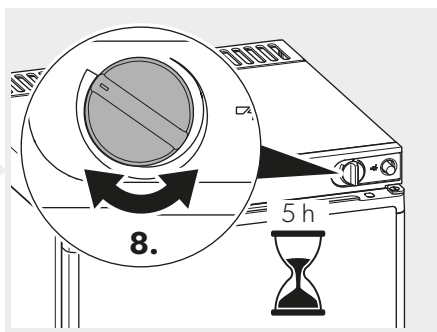
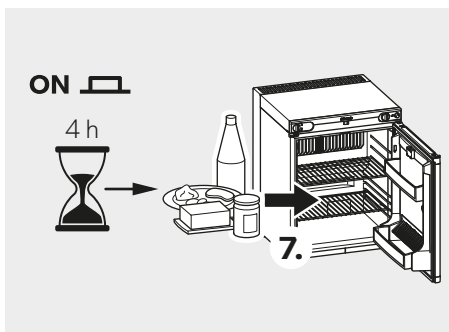
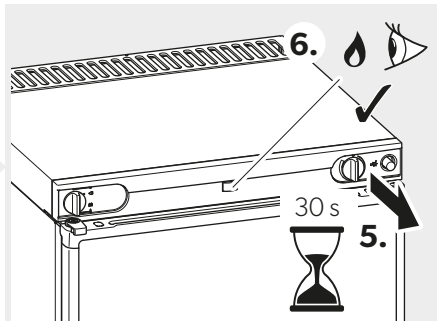
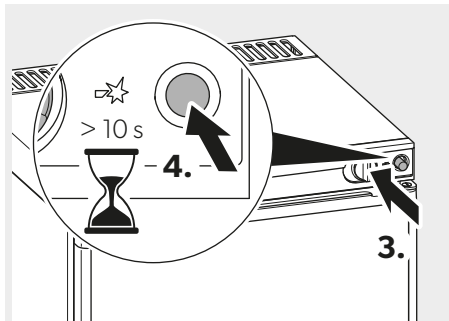
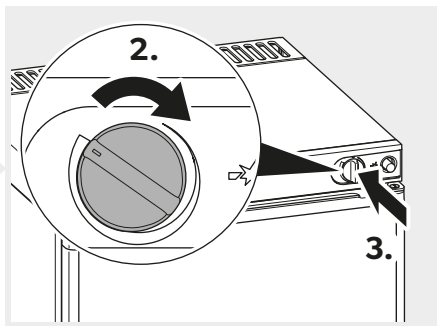
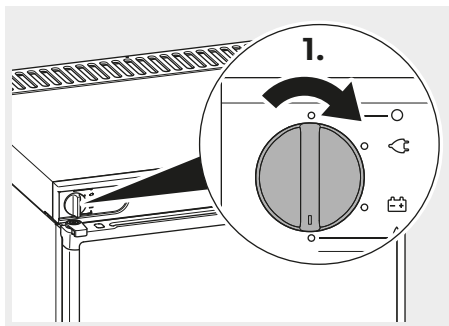
SWITCHING ON 12 V



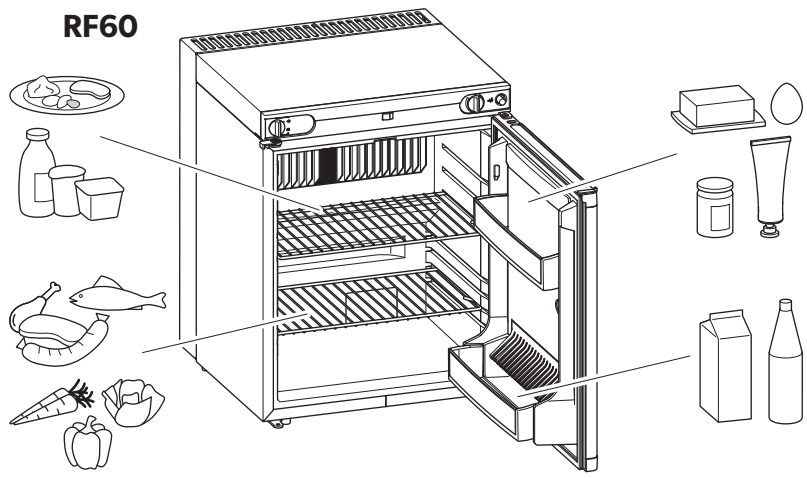
7

SWITCHING ON 220 - 240 V

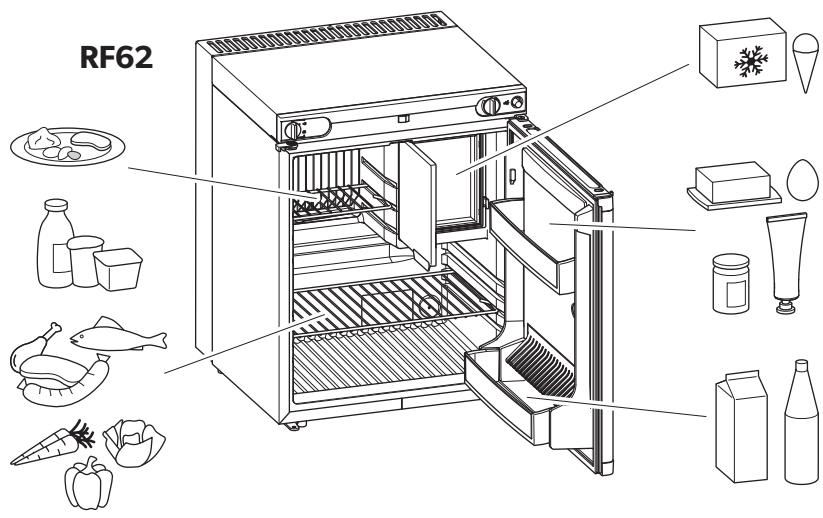


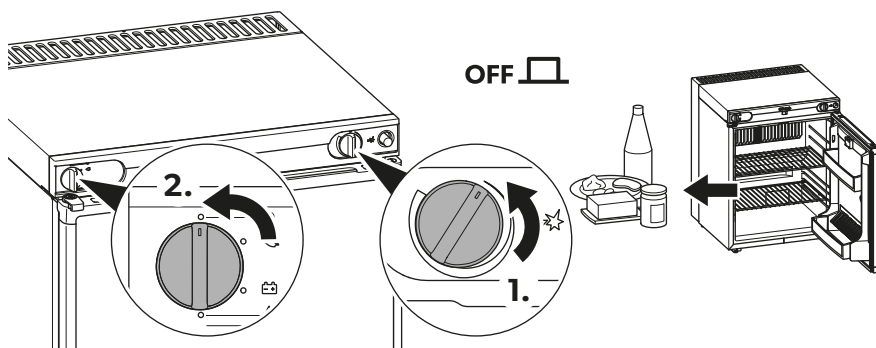
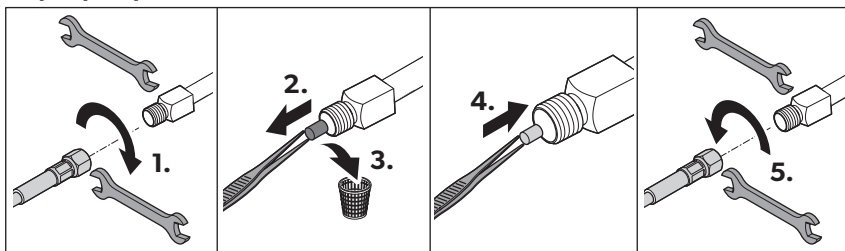
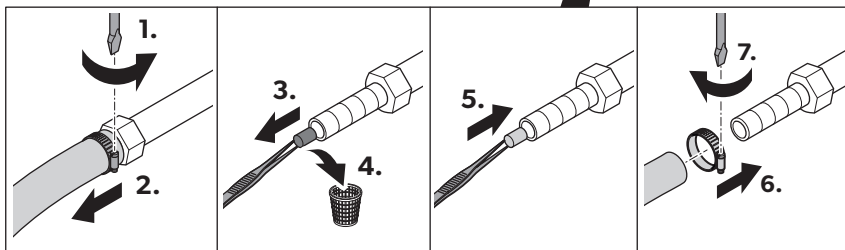


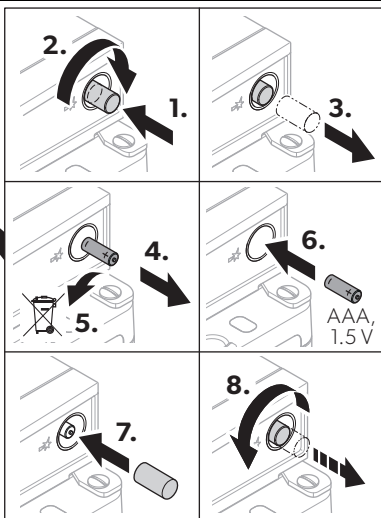
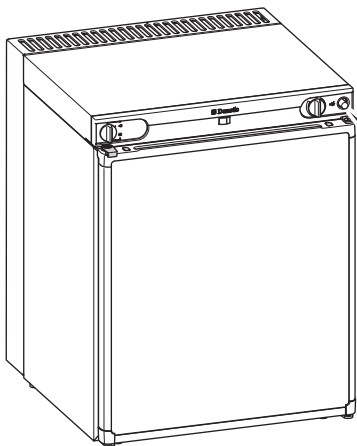
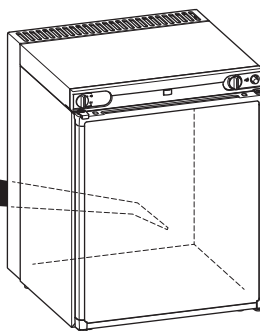
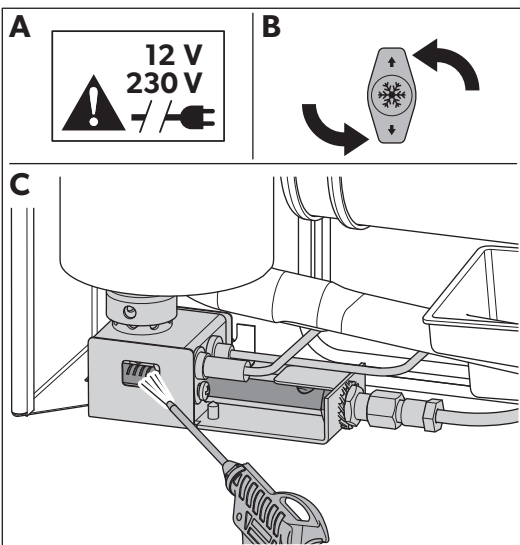
RF60



RF62



10**SWITCHING OFF****11****DE, AT, CH, LU****DK, FI, NO, S, F, H, NL, PL, SK, CZ, I, P, E, GB**

12**13**

Please read these instructions carefully and follow all instructions, guidelines, and warnings included in this product manual in order to ensure that you install, use, and maintain the product properly at all times. These instructions **MUST** stay with this product.

By using the product, you hereby confirm that you have read all instructions, guidelines, and warnings carefully and that you understand and agree to abide by the terms and conditions as set forth herein. You agree to use this product only for the intended purpose and application and in accordance with the instructions, guidelines, and warnings as set forth in this product manual as well as in accordance with all applicable laws and regulations. A failure to read and follow the instructions and warnings set forth herein may result in an injury to yourself and others, damage to your product or damage to other property in the vicinity. This product manual, including the instructions, guidelines, and warnings, and related documentation, may be subject to changes and updates. For up-to-date product information, please visit documents.dometic.com, dometic.com.

Related documents



You find the detailed operating manual and information on the technical data online at qr.dometic.com/bf5KY0.

Safety instructions



WARNING!

Also observe the safety instructions on page 3 to page 4.

General safety



WARNING! Failure to obey these warnings could result in death or serious injury.

Electrocution hazard

- Do not operate the device if it is visibly damaged.
- If this device's AC power cable is damaged, it must be replaced by the manufacturer, customer service or a similarly qualified person in order to prevent safety hazards.
- This device may only be repaired by qualified personnel. Improper repairs can lead to considerable hazards.

Explosion hazard

Do not store any explosive substances such as spray cans with a flammable propellant in the device.

Fire hazard

The refrigerant in the refrigerant circuit is highly flammable. In the event of any damage to the refrigerant circuit (smell of ammonia):

- Switch off the device.
- Avoid naked flames and sparks.
- Air the room well.

Health hazard

- Never open the absorber unit. It is under high pressure and can cause injury if it is opened.
- This device can be used by children aged from 8 years and above and persons with reduced physical, sensory or mental capabilities or lack of experience and knowledge if they have been given supervision or instruction concerning use of the device in a safe way and understand the hazards involved.
- Children shall not play with the device.
- Cleaning and user maintenance shall not be made by children without supervision.
- Children aged from 3 to 8 years are allowed to load and unload devices.

Risk of child entrapment

- Make sure that the shelves are mounted and secured so that children cannot lock themselves in the device.
- Before disposing of your old refrigerator:
 - Dismantle the drawers.
 - Leave the shelves in the refrigerator so that children cannot climb inside.



CAUTION! Failure to obey these cautions could result in minor or moderate injury.

Risk of injury

- Do not put your fingers into the hinge.
- Do not lean on the open device door.



NOTICE! Failure to obey these instructions may result in damage to the device.

- The lamp can only be replaced by the manufacturer, service agent or similarly qualified person to avoid hazard.
- Do not use a high-pressure cleaner near the ventilation grill when cleaning the vehicle.
- Attach the winter covers of the ventilation grille (accessories) when the vehicle is cleaned from the outside or not used for a prolonged period of time.

- The device is not suitable for transporting caustic materials or materials containing solvents.
- The insulation of the device contains flammable cyclopentane and requires special disposal procedures. Deliver the device at the end of its life-cycle to an appropriate recycling centre.
- Keep the condensation opening clean at all times.
- Never immerse the device in water.
- Protect the device and cables against heat and moisture.
- The device shall not to be exposed to rain.
- Ask your vehicle manufacturer if the battery management of your vehicle shuts down the devices to protect the battery.
- Put the device door and the ice compartment door into the winter position if you are not going to use the device for a longer period of time. This prevents mold from forming.

Operating the device safely



WARNING! Failure to obey these warnings could result in death or serious injury.

Electrocution hazard

- Before starting the device, ensure that the power supply line and the plug are dry.
- Disconnect the device from the power supply
 - before each cleaning and maintenance
 - after every use

Health hazard

- Please check if the cooling capacity of the device is suitable for storing the food you wish to cool.
- Only use the device where there is good ventilation.
- Only operate the device from a single energy source.
- Food may only be stored in its original packaging or in suitable containers.
- Opening the device for long periods can cause significant increase of the temperature in the compartments of the device.
- Clean regularly surfaces that can come in contact with food and accessible drainage systems.
- Store raw meat and fish in suitable containers in the device, so that it is not in contact with or can drip onto other food.
- If the device is exposed to a room temperature of below +10 °C for an extended period of time, an uniform temperature cannot be guaranteed in the ice compartment. This can lead to an increase of the ice compartment temperature and the goods stored in it may defrost.
- If the device is left empty for long periods:
 - Switch off the device.
 - Defrost the device.
 - Clean and dry the device.
 - Leave the door open to prevent mold developing within the device.

Placing and connecting the device safely



WARNING! Failure to obey these warnings could result in death or serious injury.

Fire hazard

- Ensure that the device circuit is not damaged during transportation.
- When positioning the device, ensure the supply cord is not trapped or damaged.
- Do not locate multiple portable socket-outlets or portable power supplies at the rear of the device.



NOTICE! Failure to obey these instructions may result in damage to the device.

Risk of overheating

- Always ensure sufficient ventilation so that the heat generated during operation can dissipate. Make sure that the device is sufficiently far away from walls and other objects so that the air can circulate.
- To enable the refrigerant to circulate properly, the device may not tilted by more than 3°. Use a spirit level to make sure the device is level.
- Only hold the device at the body of the device during transport. Never hold the device at the absorber unit, the cooling fins, the gas pipes, the door or the control panel.
- Do not place the device near naked flames or other heat sources (heaters, direct sunlight, gas ovens etc.).
- Only use the AC connection cable supplied to connect the device to the AC mains.



CAUTION! Failure to obey these cautions could result in minor or moderate injury.

Risk of injury

- Close and lock the device door before beginning a journey.
- The cooling aggregate at the back of the device becomes very hot during operation. Protect yourself from coming into contact with hot parts when removing ventilation grills.



NOTICE! Failure to obey these instructions may result in damage to the device.

- Check that the voltage specification on the type plate corresponds to that of the energy supply.
- Only connect the device as follows:
 - DC outlet: Only use cables with an appropriate cross section.
 - AC outlet: Only use the AC cable supplied
- Never pull the plug out of the socket by the cable.
- If the device is connected to a DC outlet: Only select DC operation (battery mode) if you are using a battery monitor or if the alternator in your vehicle provides sufficient voltage.
- If the device is connected to a DC outlet: Disconnect the device or switch it off when you turn off the engine. Otherwise you may discharge the battery.
- Ensure that the ventilation openings are not covered.
- Do not use electrical devices inside the device unless they are recommended by the manufacturer for the purpose.
- Do not fill the inner container with ice or fluids.
- Only store heavy objects such as bottles or cans in the device door, in the vegetable compartment or on the bottom shelf.

Operating with gas safely



WARNING! Failure to obey these warnings could result in death or serious injury.

Explosion hazard

- Only operate the device at the pressure shown on the type plate. Only use pressure regulators with a fixed setting which comply with the national regulations. Use a pressure regulator with a fixed setting in accordance with DIN EN 16129.

Risk of asphyxiation

- Operating the device with gas in an unventilated area will reduce the amount of oxygen in this area.
- Do not operate the device with gas in unventilated areas such as enclosed premises, tents, motor vehicles, motor homes, caravans, ships, yachts, boats and truck cabs.
- Do not operate the device in rooms with a volume of less than 40 m³.
- Never place the device near flammable materials (paper, dry leaves, textiles).
- Keep flammable objects away from the burner.
- **Never** store liquid gas cylinders in unventilated areas or below ground level (funnel shaped holes in the ground).
- Keep liquid gas cylinders away from direct sunlight. The temperature may not exceed 50 °C.
- Never use a naked flame to check the device for leaks.
- If you smell gas:
 - Close the gas supply cock and the valve on the cylinder.
 - Do not press an electric switch.
 - Put out any naked flames.
 - Have the gas system checked by a specialist.
- Do not let the device operate unattended when in gas mode.



NOTICE! Failure to obey these instructions may result in damage to the device.

Only use propane or butane gas (not natural gas).

Intended use

The mobile refrigeration appliance is intended to be used in household and similar applications such as:

- Farm houses
- Staff kitchen areas in shops, offices and other working environments
- Clients in hotels, motels and other residential type environments
- Bed and breakfast type environments
- Catering and similar non-retail applications

The device is suitable for:

- Cooling and storing food as well as storing frozen food
- Operation with DC power, AC power or gas

The device is **not** suitable for:

- Using as a built-in appliance
- Using in high-rise buildings, rooms below ground level, bathrooms and bedrooms
- Using in vehicles
- Using in boats
- Using in rooms with a volume of less than 40 m³, e.g. room size of 4 x 4 m with a room height of 2.50 m
- Using in not well-ventilated areas

Well-ventilated rooms are rooms with more than one air change per hour with windows and doors that are not joint-tight. The rooms must have at least one window that can be opened or a door that leads directly outside

- Storing medications.
- Storing caustic substances or substances that contain solvents

This product is only suitable for the intended purpose and application in accordance with these instructions.

This manual provides information that is necessary for proper installation and/or operation of the device. Poor installation and/or improper operating or maintenance will result in unsatisfactory performance and a possible failure.

The manufacturer accepts no liability for any injury or damage to the product resulting from:

- Incorrect assembly or connection, including excess voltage
- Incorrect maintenance or use of spare parts other than original spare parts provided by the manufacturer
- Alterations to the product without express permission from the manufacturer
- Use for purposes other than those described in this manual

Dometic reserves the right to change product appearance and product specifications.

Setting up and operating

Proceed as shown on page 5 to page 13:

- Placing the device: fig. **1**
- Connecting the device to DC power: fig. **2**
- Connecting the device to AC power: fig. **3**
- Connecting the device to gas: fig. **4** – fig. **5**
- Switching on power supply 12 V: fig. **6**
- Switching on power supply 24 V: fig. **7**
- Switching on gas supply: fig. **8**
- Placing foodstuff: fig. **9**
- Switching off the device: fig. **10**
- Changing the gas filter: fig. **11**
- Replacing the ignition battery: fig. **12**
- Cleaning the burner: fig. **13**

Warranty

The statutory warranty period applies. If the product is defective, please contact your retailer or the manufacturer's branch in your country (see dometic.com/dealer).

For repair and warranty processing, please include the following documents when you send in the product:

- A copy of the receipt with purchasing date
- A reason for the claim or description of the fault

Note that self-repair or non-professional repair can have safety consequences and might void the warranty.

Disposal



WARNING! Risk of child entrapment

Dismantle all device doors for the disposal of the old device and leave the shelves in the device to prevent accidental enclosure and suffocation of children.

Recycling packaging material



- ▶ Place the packaging material in the appropriate recycling waste bins wherever possible.

Recycling products with non-replaceable batteries, rechargeable batteries, or light sources



- ▶ If the product contains any non-replaceable batteries, rechargeable batteries, or light sources, you don't have to remove them before disposal.



- ▶ If you wish to finally dispose of the product, ask your local recycling center or specialist dealer for details about how to do this in accordance with the applicable disposal regulations.
- ▶ The product can be disposed free of charge.

Lesen und befolgen Sie bitte alle Anweisungen, Richtlinien und Warnhinweise in diesem Produkthandbuch sorgfältig, um sicherzustellen, dass Sie das Produkt ordnungsgemäß installieren und stets ordnungsgemäß betreiben und warten. Diese Anleitung MUSS bei dem Produkt verbleiben.

Durch die Verwendung des Produktes bestätigen Sie hiermit, dass Sie alle Anweisungen, Richtlinien und Warnhinweise sorgfältig gelesen haben und dass Sie die hierin dargelegten Bestimmungen verstanden haben und ihnen zustimmen. Sie erklären sich damit einverstanden, dieses Produkt nur für den angegebenen Verwendungszweck und gemäß den Anweisungen, Richtlinien und Warnhinweisen dieses Produkthandbuchs sowie gemäß allen geltenden Gesetzen und Vorschriften zu verwenden. Eine Nichtbeachtung der hierin enthaltenen Anweisungen und Warnhinweise kann zu einer Verletzung Ihrer selbst und anderer Personen, zu Schäden an Ihrem Produkt oder zu Schäden an anderem Eigentum in der Umgebung führen. Dieses Produkthandbuch, einschließlich der Anweisungen, Richtlinien und Warnhinweise, sowie die zugehörige Dokumentation können Änderungen und Aktualisierungen unterliegen. Aktuelle Produktinformationen finden Sie unter documents.dometic.com, dometic.com.

Zugehörige Dokumente



Eine detaillierte Bedienungsanleitung sowie Informationen zu den technischen Daten finden Sie online unter documents.dometic.com/?object_id=74832.

Sicherheitshinweise



WARNUNG!

Beachten Sie bitte auch die Sicherheitshinweise auf Seite 3 bis Seite 4.

Grundlegende Sicherheit



WARNUNG! Nichtbeachtung dieser Warnungen kann zum Tod oder schwerer Verletzung führen.

Gefahr durch Stromschlag

- Wenn das Gerät sichtbare Beschädigungen aufweist, dürfen Sie es nicht in Betrieb nehmen.
- Wenn das Wechselstrom-Anschlusskabel dieses Geräts beschädigt ist, muss es durch den Hersteller oder seinen Kundendienst bzw. eine entsprechend ausgebildete Fachkraft ersetzt werden, um Gefahren zu verhindern.
- Reparaturen an diesem Gerät dürfen nur von Fachkräften durchgeführt werden. Durch unsachgemäße Reparaturen können erhebliche Gefahren entstehen.

Explosionsgefahr

Lagern Sie keine explosionsfähigen Stoffe, wie z. B. Sprühdosen mit brennbarem Treibgas, im Gerät.

Brandgefahr

Das Kältemittel im Kühlkreislauf ist leicht entflammbar. Bei einer Beschädigung des Kühlkreislaufs (Ammoniakgeruch):

- Schalten Sie das Gerät aus.
- Vermeiden Sie offenes Feuer und Zündfunken.
- Lüften Sie den Raum gut.

Gesundheitsgefahr

- Öffnen Sie niemals das Absorberaggregat. Es steht unter hohem Druck und kann Verletzungen verursachen, wenn es geöffnet wird.
- Dieses Gerät kann von Kindern ab 8 Jahren und von Personen mit verringerten physischen, sensorischen oder mentalen Fähigkeiten oder Mangel an Erfahrung und/oder Wissen verwendet werden, wenn diese Personen beaufsichtigt werden oder im sicheren Gebrauch des Geräts unterwiesen wurden und die daraus resultierenden Gefahren verstanden haben.
- Kinder dürfen nicht mit dem Gerät spielen.
- Reinigung und Benutzerwartung dürfen nicht durch unbeaufsichtigte Kinder durchgeführt werden.
- Kinder von 3 bis 8 Jahren dürfen Geräte be- und entladen.

Gefahr des Einschließens von Kindern

- Stellen Sie sicher, dass die Tragroste so montiert und gesichert sind, dass sich Kinder nicht selbst im Gerät einschließen können.
- Vor der Entsorgung Ihres alten Kühlschranks:
 - Bauen Sie die Schublade aus.
 - Belassen Sie die Einlegeböden im Kühlschrank, damit Kinder nicht hineinsteigen können.



VORSICHT! Nichtbeachtung dieser Hinweise kann zu leichten bis mittelschweren Verletzungen führen.

Verletzungsgefahr

- Fassen Sie nicht in das Scharnier.
- Lehnen Sie sich nicht an die geöffnete Gerätetür.



ACHTUNG! Nichtbeachtung kann zu Schäden am Gerät führen.

- Die Lampe darf nur durch den Hersteller, einen Kundendienst oder eine ähnlich qualifizierte Person ersetzt werden, um Gefährdungen zu vermeiden.

- Benutzen Sie bei der Fahrzeugreinigung im Bereich der Lüftungsgitter keinen Wasser-Hochdruckreiniger.
- Montieren Sie die Winterabdeckungen des Lüftungsgitters (Zubehör), wenn das Fahrzeug von außen gereinigt oder für längere Zeit außer Betrieb genommen wird.
- Das Gerät ist nicht für den Transport ätzender oder lösungsmittelhaltiger Stoffe geeignet.
- Die Isolierung des Geräts enthält brennbares Cyclopentan und erfordert ein besonderes Entsorgungsverfahren. Entsorgen Sie das Gerät am Ende seiner Nutzungsdauer in einem entsprechenden Recyclingcenter.
- Halten Sie die Kondensatöffnung stets sauber.
- Tauchen Sie das Gerät nie in Wasser.
- Schützen Sie das Gerät und die Kabel vor Hitze und Nässe.
- Das Gerät darf keinem Regen ausgesetzt werden.

Gerät sicher aufstellen und anschließen



WARNUNG! Nichtbeachtung dieser Warnungen kann zum Tod oder schwerer Verletzung führen.

Brandgefahr

- Achten Sie beim Transport darauf, den Gerätekreislauf nicht zu beschädigen.
- Achten Sie beim Aufstellen des Geräts darauf, dass das Netzkabel nicht eingeklemmt oder beschädigt wird.
- Platzieren Sie keine Steckdosenleisten oder tragbare Stromversorgungen hinter dem Gerät.



ACHTUNG! Nichtbeachtung kann zu Schäden am Gerät führen.

Überhitzungsgefahr

- Achten Sie stets darauf, dass beim Betrieb entstehende Wärme ausreichend abgeführt werden kann. Sorgen Sie dafür, dass das Gerät in ausreichendem Abstand zu Wänden oder Gegenständen steht, sodass die Luft zirkulieren kann.
- Damit das Kältemittel ordnungsgemäß zirkulieren kann, darf das Gerät einen Neigungswinkel von 3° nicht überschreiten. Stellen Sie das Gerät mit Hilfe einer Wasserwaage waagrecht ab.
- Halten Sie das Gerät beim Transport nur am Gerätekorpus fest. Halten Sie das Gerät niemals am Absorberaggregat, den Kühlrippen, den Gasleitungen, der Tür oder dem Bedienfeld fest.

- Stellen Sie das Gerät nicht in der Nähe von offenen Flammen oder anderen Wärmequellen (Heizung, direkte Sonneneinstrahlung Gasöfen usw.) auf.
- Schließen Sie das Gerät nur mit dem zugehörigen Wechselstrom-Anschlusskabel an die Wechselstromsteckdose an.
- Fragen Sie bei Ihrem Fahrzeughersteller nach, ob das Batteriemangement Ihres Fahrzeugs die Geräte zum Schutz der Batterie abschaltet.
- Bringen Sie die Gerätetür und die Frosterfachtür in die Winterstellung, wenn Sie das Gerät längere Zeit nicht nutzen. Schimmelbildung wird so vermieden.

Sicherheit beim Betrieb des Gerätes



WARNUNG! Nichtbeachtung dieser Warnungen kann zum Tod oder schwerer Verletzung führen.

Gefahr durch Stromschlag

- Achten Sie vor der Inbetriebnahme darauf, dass Zuleitung und Stecker trocken sind.
- Trennen Sie das Gerät vom Netz:
 - vor jeder Reinigung und Pflege
 - nach jedem Gebrauch

Gesundheitsgefahr

- Prüfen Sie bitte, ob die Kühlleistung des Gerätes den Anforderungen der Lebensmittel entspricht, die Sie kühlen wollen.
- Betreiben Sie das Gerät nur an gut belüfteten Orten.
- Betreiben Sie das Gerät immer nur mit einer einzigen Energiequelle.
- Lebensmittel dürfen nur in Originalverpackungen oder geeigneten Behältern gelagert werden.
- Ein längeres Öffnen des Geräts kann zu einem erheblichen Anstieg der Temperatur in den Fächern des Geräts führen.
- Reinigen Sie regelmäßig Oberflächen, die mit Lebensmitteln in Kontakt kommen können, sowie zugängliche Ablaufsysteme.
- Lagern Sie rohes Fleisch und rohen Fisch in geeigneten Behältern im Gerät, so dass sie nicht mit anderen Lebensmitteln in Berührung kommen oder auf diese tropfen.

- Wenn das Gerät längere Zeit einer Raumtemperatur unter +10 °C ausgesetzt ist, kann eine gleichmäßige Regelung der Frosterfachtemperatur nicht gewährleistet werden. Dies kann zu einem möglichen Temperaturanstieg im Frosterfach und einem Auftauen des eingelagerten Gutes führen.
- Wenn das Gerät über längere Zeiträume leer bleibt:
 - Schalten Sie das Gerät aus.
 - Tauen Sie das Gerät ab.
 - Reinigen und trocknen Sie das Gerät.
 - Lassen Sie die Tür offenstehen, um Schimmelbildung im Gerät zu verhindern.



VORSICHT! Nichtbeachtung dieser Hinweise kann zu leichten bis mittelschweren Verletzungen führen.

Verletzungsgefahr

- Schließen Sie die Gerätetür vor Fahrtbeginn und verriegeln Sie sie.
- Das Kühlaggregat an der Rückseite des Geräts wird im Betrieb sehr heiß. Schützen Sie sich vor dem Kontakt mit hitzeführenden Teilen bei entnommenen Lüftungsgittern.



ACHTUNG! Nichtbeachtung kann zu Schäden am Gerät führen.

- Prüfen Sie, ob die Spannungsangabe auf dem Typenschild mit der vorhandenen Energieversorgung übereinstimmt.
- Schließen Sie das Gerät nur wie folgt an:
 - Gleichstromsteckdose: Verwenden Sie nur Kabel mit einem geeigneten Leitungsquerschnitt.
 - Wechselstromsteckdose: Verwenden Sie nur das im Lieferumfang enthaltene Wechselstromkabel.
- Ziehen Sie den Stecker nie am Anschlusskabel aus der Steckdose.
- Wenn das Gerät an eine Gleichstromsteckdose angeschlossen ist: Wählen Sie den Betrieb mit Gleichstrom (Batteriebetrieb) nur, wenn Sie einen Batterie-Computer verwenden oder der Fahrzeuggenerator ausreichende Spannung liefert.
- Wenn das Gerät an eine Gleichstromsteckdose angeschlossen ist: Trennen Sie die Verbindung oder schalten Sie das Gerät aus, wenn Sie den Motor ausschalten. Anderenfalls kann die Fahrzeugbatterie entladen werden.

- Achten Sie darauf, dass die Lüftungsöffnungen nicht abgedeckt werden.
- Benutzen Sie keine elektrischen Geräte innerhalb des Gerätes, außer wenn diese Geräte vom Hersteller dafür empfohlen werden.
- Füllen Sie keine Flüssigkeiten oder Eis in den Innenbehälter.
- Verstauen Sie schwere Gegenstände wie z. B. Flaschen oder Dosen ausschließlich in der Gerätetür, in der Gemüseschale oder auf dem unteren Einlegeboden.

Sicherer Betrieb mit Gas



WARNUNG! Nichtbeachtung dieser Warnungen kann zum Tod oder schwerer Verletzung führen.

Explosionsgefahr

- Das Gerät darf ausschließlich mit dem auf dem Typenschild angegebenen Druck betrieben werden. Verwenden Sie nur festeingestellte Druckregler, die den nationalen Vorschriften entsprechen. Verwenden Sie einen festeingestellten Druckregler gemäß DIN EN 16129.

Erstickungsgefahr

- Der Betrieb des Geräts mit Gas in einem unbelüfteten Bereich führt zu Sauerstoffmangel in diesem Bereich.
- Verwenden Sie das Gerät nicht mit Gas in unbelüfteten Bereichen wie geschlossenen Räumen, Zelten, Kraftfahrzeugen, Wohnmobilen, Wohnwagen, Schiffen, Yachten, Booten und LKW-Kabinen.
- Nehmen Sie das Gerät nicht in Räumen mit einem Volumen von weniger als 40 m³ in Betrieb.
- Stellen Sie das Gerät nicht in der Nähe von entzündlichen Materialien (Papier, trockenes Laub, Textilien) auf.
- Halten Sie brennbare Gegenstände vom Brenner fern.
- Bewahren Sie Flüssiggasflaschen **niemals** an unbelüfteten Plätzen oder unterhalb Bodenniveau (trichterförmige Erdmulden) auf.
- Schützen Sie Flüssiggasflaschen vor direkter Sonneneinstrahlung. Die Temperatur darf 50 °C nicht überschreiten.
- Prüfen Sie das Gerät niemals mit einer offenen Flamme auf Undichtigkeit.

- Wenn Sie Gasgeruch wahrnehmen:
 - Schließen Sie den Absperrhahn der Gasversorgung und das Flaschenventil.
 - Betätigen Sie keine elektrischen Schalter.
 - Löschen Sie offene Flammen.
 - Lassen Sie die Gasanlage von einem Fachbetrieb prüfen.



ACHTUNG! Nichtbeachtung kann zu Schäden am Gerät führen.

Verwenden Sie nur Propan- oder Butangas (kein Erdgas).

Bestimmungsgemäßer Gebrauch

Das mobile Kühlgerät ist für den Einsatz im Haushalt und ähnliche Anwendungen vorgesehen, wie:

- Landwirtschaftliche Gebäude
- Personalküchen in Geschäften, Büros und anderen Arbeitsumgebungen
- Hotels, Motels und andere wohnungsähnliche Einrichtungen
- „Bed and Breakfast“ u. ä.
- Catering und ähnliche Anwendungen außerhalb des Einzelhandels

Das Gerät eignet sich für:

- Kühlen und Lagern von Lebensmitteln sowie Lagern von Tiefkühlwaren
- Betrieb mit Gleichstrom, Wechselstrom oder Gas

Das Gerät ist **nicht** für folgende Verwendungszwecke geeignet:

- Verwendung als Einbaugerät
- Verwendung in Hochhäusern, Räumen unterhalb Bodenniveau, Bädern und Schlafzimmern
- Verwendung in Fahrzeugen
- Verwendung auf Booten
- Verwendung in Räumen mit einem Volumen von weniger als 40 m³, z. B. bei einer Raumgröße von 4 x 4 m und einer Raumhöhe von 2,50 m
- Verwendung in nicht ausreichend belüfteten Bereichen

Gut belüftete Räume sind Räume mit mehr als einem Luftwechsel pro Stunde sowie Fenstern und Türen, die nicht abgedichtet sind. Die Räume müssen über mindestens ein Fenster verfügen, das geöffnet werden kann, oder eine Tür, die direkt nach außen führt

- Lagerung von Medikamenten.

- Lagerung von ätzenden oder lösungsmittelhaltigen Stoffen

Dieses Produkt ist nur für den angegebenen Verwendungszweck und die Anwendung gemäß dieser Anleitung geeignet.

Dieses Handbuch enthält Informationen, die für die ordnungsgemäße Installation und den ordnungsgemäßen Betrieb des Geräts erforderlich sind. Installationsfehler und/oder ein nicht ordnungsgemäßer Betrieb oder eine nicht ordnungsgemäße Wartung haben eine unzureichende Leistung und u. U. einen Ausfall des Geräts zur Folge.

Der Hersteller übernimmt keine Haftung für Verletzungen oder Schäden am Produkt, die durch Folgendes entstehen:

- Unsachgemäße Montage oder falscher Anschluss, einschließlich Überspannung
- Unsachgemäße Wartung oder Verwendung von anderen als den vom Hersteller gelieferten Original-Ersatzteilen
- Veränderungen am Produkt ohne ausdrückliche Genehmigung des Herstellers
- Verwendung für andere als die in der Anleitung beschriebenen Zwecke

Dometic behält sich das Recht vor, das Erscheinungsbild des Produkts und dessen technische Daten zu ändern.

Aufstellung und Bedienung

Gehen Sie wie in Seite 5 bis Seite 13 dargestellt vor:

- Gerät aufstellen: Abb. **1**
- Gerät an Gleichstrom anschließen: Abb. **2**
- Gerät an Wechselstrom anschließen: Abb. **3**
- Gerät an Gas anschließen: Abb. **4** bis Abb. **5**
- Einschalten bei Stromversorgung mit 12 V: Abb. **6**
- Einschalten bei Stromversorgung mit 24 V: Abb. **7**
- Einschalten bei Gasversorgung: Abb. **8**
- Lebensmittel einlagern: Abb. **9**
- Gerät ausschalten: Abb. **10**
- Gasfilter wechseln: Abb. **11**
- Zündbatterie austauschen: Abb. **12**
- Brenner reinigen: Abb. **13**

Garantie

Es gilt die gesetzliche Gewährleistungsfrist. Sollte das Produkt defekt sein, wenden Sie sich bitte an Ihren Fachhändler oder die Niederlassung des Herstellers in Ihrem Land (siehe dometic.com/dealer).

Bitte senden Sie bei einem Reparatur- bzw. Gewährleistungsantrag folgende Unterlagen mit dem Produkt ein:

- eine Kopie der Rechnung mit Kaufdatum
- einen Reklamationsgrund oder eine Fehlerbeschreibung

Bitte beachten Sie, dass eigenständig oder nicht fachgerecht durchgeführte Reparaturen die Sicherheit gefährden und zum Erlöschen der Garantie führen können.

Entsorgung



WARNUNG! Gefahr des Einschließens von Kindern

Demontieren Sie alle Gerätetüren bei Entsorgung des Altgeräts und belassen Sie die Ablagen im Gerät, um ein versehentliches Einschließen und Ersticken von Kindern zu verhindern.

Recycling von Verpackungsmaterial



- Geben Sie das Verpackungsmaterial möglichst in den entsprechenden Recycling-Müll.

Recycling von Produkten mit nicht auswechselbaren Batterien, wiederaufladbaren Batterien oder Leuchtmitteln



- Wenn das Produkt nicht auswechselbare Batterien, wiederaufladbare Batterien oder Leuchtmittel enthält, brauchen Sie diese vor der Entsorgung nicht zu entfernen.



- Wenn Sie das Gerät endgültig entsorgen möchten, informieren Sie sich bitte bei Ihrem Wertstoffhof vor Ort oder bei Ihrem Fachhändler, wie dies gemäß den geltenden Entsorgungsvorschriften zu tun ist.
- Das Produkt kann kostenlos entsorgt werden.

Veillez lire et suivre attentivement l'ensemble des instructions, directives et avertissements figurant dans ce manuel afin d'installer, d'utiliser et d'entretenir le produit correctement à tout moment. Ces instructions DOIVENT rester avec le produit.

En utilisant ce produit, vous confirmez expressément avoir lu attentivement l'ensemble des instructions, directives et avertissements et que vous comprenez et acceptez de respecter les modalités et conditions énoncées dans le présent document. Vous acceptez d'utiliser ce produit uniquement pour l'usage et l'application prévus et conformément aux instructions, directives et avertissements figurant dans le présent manuel, ainsi qu'à toutes les lois et réglementations applicables. En cas de non-respect des instructions et avertissements figurant dans ce manuel, vous risquez de vous blesser ou de blesser d'autres personnes, d'endommager votre produit ou d'endommager d'autres biens à proximité. Le présent manuel produit, y compris les instructions, directives et avertissements, ainsi que la documentation associée peuvent faire l'objet de modifications et de mises à jour. Pour obtenir des informations actualisées sur le produit, veuillez consulter le site documents.dometic.com, dometic.com.

Documents associés



Pour obtenir le manuel d'utilisation détaillé et les données techniques du produit, rendez-vous sur : qr.dometic.com/bf5KY0.

Consignes de sécurité



AVERTISSEMENT !

Respectez également les consignes de sécurité données dans page 3 à page 4.

Sécurité générale



AVERTISSEMENT ! Le non-respect de ces mises en garde peut entraîner des blessures graves, voire mortelles.

Risque d'électrocution

- Si l'appareil présente des dégâts visibles, ne le mettez pas en service.
- Si le câble de raccordement CA de l'appareil est endommagé, il doit être remplacé par le fabricant, son service après-vente ou une personne de qualification similaire, afin d'éviter tout danger.
- Seul un personnel qualifié est habilité à effectuer des réparations sur l'appareil. Des réparations inadéquates peuvent engendrer des risques considérables.

Risque d'explosion

Ne stockez aucune substance explosive comme p. ex. des aérosols contenant des agents propulseurs inflammables dans l'appareil.

Risque d'incendie

Le fluide frigorigène contenu dans le circuit frigorifique est hautement inflammable. En cas de dégât sur le circuit frigorifique (odeur d'ammoniac) :

- Éteignez l'appareil.
- Évitez toute flamme nue et/ou étincelle.
- Aérez bien la pièce.

Risque pour la santé

- N'ouvrez jamais l'unité de l'absorbeur. Il se trouve sous haute pression et peut provoquer des blessures s'il est ouvert.
- Cet appareil peut être utilisé par des enfants âgés de 8 ans et plus et des personnes ayant des capacités physiques, sensorielles ou mentales réduites ou un manque d'expérience et de connaissances, s'ils sont sous surveillance ou ont reçu des instructions sur l'utilisation de l'appareil en toute sécurité et comprennent les risques impliqués.
- Les enfants ne doivent pas jouer avec cet appareil.
- Le nettoyage et l'entretien ne doivent pas être effectués par des enfants sans surveillance.
- Les enfants âgés de 3 à 8 ans peuvent charger et décharger les appareils.

Risque d'enfermement d'enfant

- Veillez à ce que les étagères soient montées et à ce que les enfants ne puissent pas s'enfermer dans l'appareil.
- Avant de mettre au rebut votre ancien réfrigérateur :
 - Démontez les tiroirs.
 - Laissez les clayettes dans le réfrigérateur, afin que les enfants ne puissent pas entrer dedans.



ATTENTION ! Le non-respect de ces mises en garde peut entraîner des blessures légères ou de gravité modérée.

Risque de blessure

- Ne touchez pas la charnière.
- Ne vous appuyez pas sur la porte de l'appareil lorsqu'elle est ouverte.



AVIS ! Le non-respect de cette mise en garde peut entraîner des dommages de l'appareil.

- La lampe doit uniquement être remplacée par le fabricant, un technicien du service après-vente ou toute autre personne de qualification similaire afin d'éviter tout danger.

- Lors du nettoyage de véhicule à proximité de la zone de la grille d'aération, n'utilisez pas de nettoyeur à haute pression.
- Montez les couvercles d'hivernage de la grille d'aération (accessoires) si le véhicule est nettoyé de l'extérieur ou n'est pas mis en service pendant une période prolongée.
- Le dispositif n'est pas adapté pour le transport des matières caustiques ou contenant des solvants.
- L'isolation de l'appareil contient un gaz inflammable (cyclopentane) et nécessite des procédures d'élimination spéciales. À la fin de son cycle de vie, déposez l'appareil dans un centre recyclage approprié.
- Veillez à ce que l'évacuation de la condensation soit toujours propre.
- Ne plongez jamais l'appareil dans l'eau.
- Tenez le dispositif et les câbles à l'abri de la chaleur et de l'humidité.
- L'appareil ne doit pas être exposé à la pluie.
- Lors du transport, ne fixez l'appareil que par le corps de l'appareil. Ne le fixez jamais au module de l'absorbeur, aux ailettes de refroidissement, aux conduites de gaz, à la porte ou au panneau de commande.
- Ne montez pas l'appareil près de flammes nues ou d'autres sources de chaleur (chauffage, fours à gaz, etc.).
- Pour raccorder l'appareil au courant alternatif, veuillez utiliser exclusivement la prise de courant correspondante.
- Demandez au constructeur de votre véhicule si le système de batterie de votre véhicule arrête les appareils pour protéger la batterie.
- Placez la porte de l'appareil et du compartiment congélateur en position hiver si vous prévoyez de ne pas utiliser l'appareil pendant une période prolongée. Cela évite la formation de moisissures.

Consignes de sécurité concernant le fonctionnement de l'appareil



AVERTISSEMENT ! Le non-respect de ces mises en garde peut entraîner des blessures graves, voire mortelles.

Risque d'électrocution

- Avant de mettre l'appareil en service, assurez-vous que la ligne d'alimentation électrique et le connecteur sont secs.
- Coupez l'alimentation en courant de l'appareil
 - avant tout nettoyage et entretien
 - après chaque utilisation

Risque pour la santé

- Veuillez vérifier si la puissance frigorifique de l'appareil de réfrigération correspond à la température de conservation recommandée pour les aliments que vous souhaitez conserver au frais.
- N'utilisez l'appareil que dans des lieux bien aérés.
- Faites toujours fonctionner l'appareil avec une seule source d'énergie.
- Les aliments doivent être conservés dans leur emballage d'origine ou dans des récipients appropriés.
- Une ouverture prolongée peut entraîner une augmentation significative de la température dans les compartiments de l'appareil.

Positionnement et raccordement sécurisés de l'appareil



AVERTISSEMENT ! Le non-respect de ces mises en garde peut entraîner des blessures graves, voire mortelles.

Risque d'incendie

- Lors du transport, veillez à ne pas endommager le circuit de l'appareil.
- Veillez à ne pas coincer ni endommager le cordon d'alimentation lors de la mise en place de l'appareil.
- Ne placez pas de multiprises portables ou de blocs d'alimentation portables à l'arrière de l'appareil.



AVIS ! Le non-respect de cette mise en garde peut entraîner des dommages de l'appareil.

Risque de surchauffe

- Veillez toujours à ce que la chaleur produite lors du fonctionnement puisse se dissiper suffisamment. Veillez à ce que l'appareil se trouve à une distance suffisante des murs ou des objets, de sorte que l'air puisse circuler.
- Pour que le frigorigène puisse circuler correctement, l'appareil ne doit pas dépasser un angle d'inclinaison de 3°. Pour ce faire, placez l'appareil à l'horizontale à l'aide d'un niveau à bulle.

- Nettoyez régulièrement les surfaces qui entrent en contact avec les aliments, ainsi que les systèmes de drainage accessibles.
- Stockez la viande et le poisson crus dans des récipients appropriés à l'intérieur de l'appareil de façon à ce qu'ils ne soient pas en contact avec d'autres aliments ou ne gouttent pas sur ceux-ci.
- Si l'appareil est exposé de manière prolongée à une température ambiante inférieure à +10 °C, une régulation de température uniforme ne peut être garantie dans le compartiment congélation. Cela peut entraîner une augmentation de la température du compartiment de congélation et la décongélation des produits stockés.
- Si l'appareil est laissé vide pendant une longue période :
 - Éteignez l'appareil.
 - Dégivrez l'appareil.
 - Nettoyez et séchez l'appareil.
 - Laissez la porte ouverte pour éviter que des moisissures ne se développent dans l'appareil.
- Si l'appareil est raccordé à une prise de courant continu : Le fonctionnement au courant continu (batterie) doit être choisi uniquement en cas d'utilisation d'un protecteur de batterie ou si le générateur fournit une tension suffisante.
- Si l'appareil est raccordé à une prise de courant continu : Débranchez ou éteignez le dispositif lorsque vous éteignez le moteur. Dans le cas contraire, il se pourrait que la batterie se décharge.
- Assurez-vous que les ouvertures d'aération ne sont pas recouvertes.
- N'exploitez aucun appareil électrique à l'intérieur du dispositif, sauf si le fabricant le recommande.
- Ne remplissez pas le bac intérieur de substances liquides ou de glace.
- Stockez uniquement les objets lourds, tels que les bouteilles ou canettes, dans la porte de l'appareil, dans le compartiment à légumes ou sur la grille inférieure.



ATTENTION ! Le non-respect de ces mises en garde peut entraîner des blessures légères ou de gravité modérée.

Risque de blessure

- Fermez et verrouillez la porte de l'appareil avant le début du trajet.
- Le groupe frigorifique situé à l'arrière de l'appareil devient très chaud pendant le fonctionnement. Protégez-vous du contact avec des pièces conductrices de chaleur quand les grilles d'aération sont retirées.



AVIS ! Le non-respect de cette mise en garde peut entraîner des dommages de l'appareil.

- Vérifiez que la tension indiquée sur la plaque signalétique correspond à l'alimentation électrique dont vous disposez.
- Raccordez l'appareil uniquement comme indiqué ci-dessous :
 - Prise de courant continu : utilisez uniquement des câbles de section appropriée.
 - Prise de courant alternatif : utilisez uniquement le câble de raccordement fourni à la livraison.
- Ne tirez jamais sur le câble de raccordement pour sortir la fiche de la prise.



AVERTISSEMENT ! Le non-respect de ces mises en garde peut entraîner des blessures graves, voire mortelles.

Risque d'explosion

- Utilisez uniquement l'appareil avec la pression indiquée sur la plaque signalétique. Utilisez uniquement des détendeurs à réglage fixe conformes aux réglementations nationales. Utilisez un détendeur à réglage fixe en conformité avec la norme DIN EN 16129.

Risque d'asphyxie

- L'exploitation de l'appareil au gaz entraîne un manque d'oxygène dans des aires non aérées.
- N'utilisez pas l'appareil en mode gaz dans des espaces non aérés tels que des pièces fermées, des tentes, des véhicules, des camping-cars, des caravanes, des navires, bateaux et yachts, ou encore des cabines de poids lourds.
- N'utilisez pas l'appareil dans des pièces dont le volume est inférieur à 40 m³.
- Ne placez pas l'appareil à proximité de matériaux inflammables (papier, feuilles mortes, textiles).
- Éloigner tout objet inflammable du brûleur.

- N'entrez jamais les bouteilles de gaz liquide à des endroits mal aérés ou sous le niveau du sol (dans des trous en forme d'entonnoir).
- Protégez les bouteilles de gaz liquide d'un rayonnement solaire direct. La température ne doit pas dépasser 50 °C.
- Ne contrôlez jamais l'étanchéité de l'appareil à l'aide d'une flamme nue.
- Si vous sentez une odeur de gaz :
 - Fermez le robinet d'arrêt de l'alimentation en gaz et la vanne de la bouteille.
 - N'actionnez aucun interrupteur.
 - Éteignez les flammes nues.
 - Faites contrôler l'installation de gaz par une entreprise spécialisée.
- Ne laissez pas l'appareil fonctionner sans surveillance lorsqu'il est en mode gaz.



AVIS ! Le non-respect de cette mise en garde peut entraîner des dommages de l'appareil.

Utilisez uniquement du gaz propane ou butane (pas de gaz naturel).

Usage conforme

L'appareil de réfrigération mobile est destiné à être utilisé dans des applications domestiques et similaires, telles que :

- les maisons d'hôtes
- les réfectoires destinés au personnel des magasins, des bureaux et autres environnements de travail
- les hôtels, motels et autres environnements de type résidentiel
- les gîtes et environnements similaires
- la restauration et les applications similaires non liées à la vente au détail

L'appareil est conçu pour :

- Réfrigération et stockage d'aliments frais et surgelés
- Alimentation en courant continu, courant alternatif ou gaz

L'appareil n'est **pas** conçu pour :

- Utilisation comme appareil encastré
- Utilisation dans des bâtiments de grande hauteur, des pièces au-dessous du niveau du sol, des salles de bains et des chambres
- Utilisation dans des véhicules
- Utilisation dans des bateaux
- Utilisation dans des pièces d'un volume inférieur à 40 m³, par ex., des pièces de 4 x 4 m sur une hauteur de 2,50 m
- Utilisation dans des zones mal ventilées

Les pièces bien ventilées sont des pièces avec plus d'un changement d'air par heure avec des fenêtres et des portes qui ne sont pas hermétiquement étanches. Les pièces doivent avoir au moins une fenêtre qui peut être ouverte ou une porte menant directement à l'extérieur

- Le stockage de médicaments.
- Le stockage de substances corrosives ou contenant des solvants

Ce produit convient uniquement à l'usage et à l'application prévus, conformément au présent manuel d'instructions.

Ce manuel fournit les informations nécessaires à l'installation et/ou à l'utilisation correcte de l'appareil. Une installation, une utilisation ou un entretien inappropriés entraînera des performances insatisfaisantes et une éventuelle défaillance.

Le fabricant décline toute responsabilité en cas de blessure ou de dommage résultant :

- d'un montage ou d'un raccordement incorrect, y compris d'une surtension
- d'un entretien inadapté ou de l'utilisation de pièces de rechange autres que les pièces de rechange d'origine fournies par le fabricant
- de modifications apportées au produit sans autorisation explicite du fabricant
- d'usages différents de ceux décrits dans ce manuel

Dometic se réserve le droit de modifier l'appareil et les spécifications produit.

Installation et utilisation

Procédez comme indiqué page 5 à page 13 :

- Mise en place de l'appareil : fig. **1**
- Raccordement de l'appareil à une alimentation CC : fig. **2**
- Raccordement de l'appareil à une alimentation CA : fig. **3**
- Raccordement de l'appareil à une alimentation en gaz : fig. **4** – fig. **5**
- Activation de l'alimentation 12 V : fig. **6**
- Activation de l'alimentation 24 V : fig. **7**
- Activation de l'alimentation en gaz : fig. **8**
- Stockage d'aliments : fig. **9**
- Mise hors service de l'appareil : fig. **10**
- Changement du filtre à gaz : fig. **11**
- Remplacement de la pile d'allumage : fig. **12**
- Nettoyage du brûleur : fig. **13**

Garantie

La période de garantie légale s'applique. Si le produit est défectueux, contactez votre revendeur ou la filiale locale du fabricant (voir dometic.com/dealer).

Pour toutes réparations ou autres prestations de garantie, veuillez joindre au produit les documents suivants :

- une copie de la facture avec la date d'achat
- un motif de réclamation ou une description du dysfonctionnement

Notez que toute réparation effectuée par une personne non agréée peut présenter un risque de sécurité et annuler la garantie.

Mise au rebut



AVERTISSEMENT ! Risque d'enfermement d'enfant

Lors de la mise au rebut d'un ancien appareil, démontez toutes les portes et laissez les clayettes dans l'appareil afin d'éviter tout risque d'enfermement et d'asphyxie accidentels des enfants.

Recyclage des emballages



► Dans la mesure du possible, jetez les emballages dans les conteneurs de déchets recyclables prévus à cet effet.

Recyclage des produits contenant des piles non remplaçables, des batteries ou des sources lumineuses rechargeables



► Si le produit contient des piles non remplaçables, des batteries ou des sources lumineuses rechargeables, vous n'avez pas besoin de les retirer avant de les mettre au rebut.



► Si vous souhaitez mettre le produit au rebut, contactez le centre de recyclage le plus proche ou votre revendeur spécialisé afin d'être informé des réglementations liées au traitement des déchets.

► Le produit peut être mis au rebut gratuitement.

Lea atentamente estas instrucciones y siga las indicaciones, directrices y advertencias incluidas en este manual para asegurarse de que instala, usa y mantiene correctamente el producto en todo momento. Estas instrucciones DEBEN permanecer con este producto.

Al usar el producto, usted confirma que ha leído cuidadosamente todas las instrucciones, directrices y advertencias, y que entiende y acepta cumplir los términos y condiciones aquí establecidos. Usted se compromete a usar este producto solo para el propósito y la aplicación previstos y de acuerdo con las instrucciones, directrices y advertencias establecidas en este manual del producto, así como de acuerdo con todas las leyes y reglamentos aplicables. La no lectura e incumplimiento de las instrucciones y advertencias aquí expuestas puede causarles lesiones a usted o a terceros, daños en el producto o daños en otras propiedades cercanas. Este manual del producto, incluyendo las instrucciones, directrices y advertencias, y la documentación relacionada, pueden estar sujetos a cambios y actualizaciones. Para obtener información actualizada sobre el producto, visite la página documents.dometic.com, dometic.com.

Documentación relacionada



Puede encontrar en la web las instrucciones de uso detalladas así como información sobre los datos técnicos en la dirección qr.dometic.com/bf5KY0.

Indicaciones de seguridad



¡ADVERTENCIA!

Tenga en cuenta también las indicaciones de seguridad de página 3 a página 4.

Seguridad general



¡ADVERTENCIA! El incumplimiento de estas advertencias podría acarrear la muerte o lesiones graves.

Riesgo de electrocución

- No ponga el aparato en funcionamiento si presenta desperfectos visibles.
- Si el cable de alimentación de corriente alterna de este aparato está dañado, para evitar posibles peligros deberá ser sustituido por el fabricante, el servicio de atención al cliente o una persona con cualificación similar.
- Solo el personal cualificado podrá realizar reparaciones en el aparato. Las reparaciones inadecuadas pueden conllevar peligros considerables.

Peligro de explosión

No guarde en el aparato sustancias con peligro de explosión, tales como aerosoles con agente espumante inflamable.

Peligro de incendio

El refrigerante del circuito de refrigeración es altamente inflamable. Si el circuito de refrigeración está dañado (desprende olor a amoníaco), tome las siguientes medidas:

- Desconecte el aparato.
- Evite el fuego abierto y las chispas.
- Ventile bien la habitación.

Riesgo para la salud

- No abra nunca el grupo absorbedor. Está bajo alta presión y puede causar lesiones si se abre.
- Este aparato puede ser utilizado por menores a partir de 8 años y personas con capacidad física, sensorial o mental reducida, o con falta de experiencia y conocimientos, siempre que lo hagan bajo supervisión o hayan recibido instrucciones relativas al uso del mismo de manera segura y entendiendo los riesgos asociados.
- No deje que los niños jueguen con el aparato.
- Los menores no deberán limpiar ni realizar el mantenimiento de usuario sin la debida supervisión.
- Los menores de 3 a 8 años pueden introducir y extraer productos del aparato.

Riesgo de atrapamiento infantil

- Asegúrese de montar y asegurar las bandejas de tal manera que los niños no puedan encerrarse dentro del aparato.
- Antes de desechar su vieja nevera:
 - Desmonte los cajones.
 - Deje las bandejas dentro de la nevera para que los niños no puedan entrar en ella.



¡ATENCIÓN! El incumplimiento de estas precauciones podría acarrear lesiones moderadas o leves.

Peligro de lesiones

- No introduzca la mano en el tope de la tapa.
- No se apoye en la puerta cuando esté abierta.



¡AVISO! El incumplimiento de estas instrucciones puede causar daños en el aparato.

- Únicamente el fabricante, un técnico de mantenimiento o una persona con cualificación similar podrá cambiar la bombilla con el fin de evitar peligros.
- No emplee limpiadores de agua a alta presión en el área de la rejilla de ventilación al limpiar el vehículo.

- Coloque las cubiertas de invierno de la rejilla de ventilación (opcionales) cuando limpie el vehículo por fuera o cuando no vaya a utilizarlo durante un período de tiempo prolongado.
- El aparato no es adecuado para transportar materiales cáusticos o materiales que contengan disolventes.
- El aislamiento del aparato contiene ciclopentano y requiere una gestión de residuos especial. Lleve el aparato en un centro de reciclaje adecuado al finalizar su vida útil.
- Mantenga siempre limpias la abertura de condensación.
- No sumerja nunca el aparato en agua.
- Proteja el aparato y los cables contra el calor y la humedad.
- El aparato no debe quedar en modo alguno expuesto a la lluvia.

Colocación y conexión segura del aparato



¡ADVERTENCIA! El incumplimiento de estas advertencias podría acarrear la muerte o lesiones graves.

Peligro de incendio

- Asegúrese de no dañar los circuitos cuando transporte el aparato.
- Al colocar el aparato, asegúrese de que el cable de suministro eléctrico no se haya quedado atrapado o esté dañado.
- No coloque varias tomas o suministros de corriente portátiles detrás del aparato.



¡AVISO! El incumplimiento de estas instrucciones puede causar daños en el aparato.

Riesgo de sobrecalentamiento

- Asegúrese de que quede garantizada en todo momento una evacuación adecuada del calor que se genera durante el funcionamiento. Asegúrese también de que el aparato guarde la suficiente distancia respecto a paredes u objetos, de forma que el aire pueda circular.
- Para que el refrigerante pueda circular correctamente, el ángulo de inclinación del aparato no debe superar los 3 grados. Utilice un nivel para asegurarse de que el aparato no quede inclinado.

- Sujete el aparato solamente por el cuerpo cuando lo transporte. No sujete nunca el aparato por el grupo absorbedor, las aletas de refrigeración, los conductos de gas, la puerta o el panel de control.
- No coloque el aparato cerca de una llama o una fuente de calor (calefacción, luz solar directa, estufas de gas, etc.).
- Conecte el aparato a la red de corriente alterna solo con el cable de conexión de corriente alterna correspondiente.
- Pregunte al fabricante de su vehículo si este dispone de un sistema de gestión de batería que apague los aparatos como medida de protección de la batería.
- Coloque la puerta del aparato y del congelador en la posición de invierno si no va a utilizar el aparato durante un periodo de tiempo prolongado. De esta forma, se evita que se forme moho.

Uso seguro del aparato



¡ADVERTENCIA! El incumplimiento de estas advertencias podría acarrear la muerte o lesiones graves.

Riesgo de electrocución

- Antes de la puesta en funcionamiento, asegúrese de que el cable de alimentación y la clavija de enchufe estén secos.
- Desconecte el aparato de la alimentación de corriente
 - antes de realizar cualquier tarea de limpieza o mantenimiento
 - después de cada uso

Riesgo para la salud

- Compruebe si la potencia de refrigeración del aparato cumple los requisitos de los alimentos que desea enfriar.
- Utilice este aparato solo en lugares bien ventilados.
- Utilice la nevera con una única fuente de energía.
- Los alimentos solo se pueden almacenar con su envase original o en recipientes adecuados.
- Dejar el aparato abierto durante un período prolongado puede producir un incremento considerable de la temperatura en los compartimentos del mismo.

- Limpie periódicamente las superficies que pueden estar en contacto con alimentos y los sistemas de desagüe accesibles.
- Guarde la carne y el pescado crudos en recipientes adecuados para que no entren en contacto con otros alimentos ni puedan gotear sobre ellos.
- Si el aparato se expone a una temperatura ambiente inferior a +10 °C durante un periodo prolongado, no se puede garantizar una temperatura uniforme en el congelador. Esto puede causar un aumento de la temperatura del congelador y los productos guardados en él podrían descongelarse.
- Si el aparato se deja vacío durante un tiempo prolongado:
 - Desconecte el aparato.
 - Descongele el aparato.
 - Limpie y seque el aparato.
 - Deje la puerta abierta para evitar que se genere moho dentro del aparato.
- Si el aparato está conectado a una toma de corriente continua: Seleccione solo el funcionamiento con corriente continua (funcionamiento con batería) si se utiliza un controlador de batería o si el generador del vehículo aporta la suficiente tensión.
- Si el aparato está conectado a una toma de corriente continua: Desenchufe el aparato o apáguelo cuando apague el motor. De lo contrario, podría descargarse la batería del vehículo.
- Evite que se obstruyan las aberturas de ventilación.
- No utilice dispositivos eléctricos en el interior del aparato a no ser que estén recomendados por el fabricante.
- No introduzca líquidos ni hielo en el recipiente interior.
- Coloque los objetos más pesados, como botellas o latas, solo en la puerta de la nevera, en el compartimento de verduras o en el estante inferior.



¡ATENCIÓN! El incumplimiento de estas precauciones podría acarrear lesiones moderadas o leves.

Peligro de lesiones

- Cierre y bloquee la puerta del aparato antes de iniciar un viaje.
- La unidad de refrigeración situada en la parte trasera del aparato se calienta mucho durante el funcionamiento. Protéjase antes de tocar piezas que conducen calor con las rejillas de ventilación quitadas.



¡AVISO! El incumplimiento de estas instrucciones puede causar daños en el aparato.

- Compruebe que el valor de tensión indicado en la placa de características se corresponde con el del suministro de energía.
- Conecte el aparato solo del siguiente modo:
 - Toma de corriente continua: Utilice solamente cables con la sección adecuada.
 - Toma de corriente alterna: Utilice únicamente el cable de corriente alterna suministrado.
- No desenchufe nunca la clavija de la caja de enchufe tirando del cable.

Funcionamiento seguro con gas



¡ADVERTENCIA! El incumplimiento de estas advertencias podría acarrear la muerte o lesiones graves.

Peligro de explosión

- Solo debe utilizar el aparato a la presión indicada en la placa de características. Utilice solo presostatos con un ajuste fijo que cumplan las normativas nacionales. Utilice un regulador de presión de ajuste fijo que cumpla la norma DIN EN 16129.

Riesgo de asfixia

- El uso del aparato con gas en un área sin ventilación causa falta de oxígeno en esa área.
- No haga funcionar el aparato con gas en lugares con falta de ventilación, como habitaciones cerradas, tiendas de campaña, vehículos a motor, caravanas, autocaravanas, barcos, yates, embarcaciones o cabinas de camión.
- No utilice el aparato en estancias con un volumen inferior a 40 m³.
- No coloque el aparato cerca de materiales inflamables (papel, hojas secas, materiales textiles, etc.).
- Mantenga los objetos inflamables lejos del quemador.

- **Nunca** guarde las bombonas de gas licuado en lugares sin ventilación ni bajo el nivel del suelo (agujeros en forma de embudo realizados en el suelo).
- Proteja las bombonas de gas licuado de la luz solar directa. La temperatura no debe superar los 50 °C.
- No compruebe nunca la hermeticidad del aparato con fuego abierto.
- Si nota olor a gas:
 - Cierre la llave de paso del suministro de gas y la válvula de la bombona.
 - No accione interruptores eléctricos.
 - Apague todas las llamas.
 - Solicite que una empresa especializada compruebe la instalación de gas.
- No deje el aparato desatendido cuando funcione con gas.



¡AVISO! El incumplimiento de estas instrucciones puede causar daños en el aparato.

Utilice solo gas propano o butano (no gas natural).

Uso previsto

Este aparato móvil de refrigeración está diseñado para el uso doméstico y aplicaciones similares, como por ejemplo:

- Casas rurales
- Áreas de cocina para el personal en tiendas, oficinas y otros entornos de trabajo
- Clientes de hoteles, moteles y otros entornos de tipo residencial
- Ambientes de tipo “bed and breakfast”
- Catering y aplicaciones similares no comerciales

El aparato es adecuado para:

- Refrigeración y almacenamiento de comida y almacenamiento de comida congelada
- Funcionamiento con corriente continua, alterna o gas

El aparato **no** es adecuado para:

- Utilización como electrodoméstico empotrado
- Utilización en edificios de gran altura, estancias por debajo de la planta baja, baños y dormitorios
- Utilización en vehículos
- Utilización en embarcaciones
- Utilización en estancias con un volumen inferior a 40 m³, por ejemplo, habitaciones de 4 x 4 m con una altura de 2,50 m
- Utilización en zonas mal ventiladas

Las estancias bien ventiladas son estancias con más de un cambio de aire por hora con ventanas y puertas que no están herméticamente selladas. Las estancias deben tener al menos una ventana que se pueda abrir o una puerta que conduzca directamente al exterior.

- Almacenar medicamentos
- Almacenar sustancias cáusticas o que contengan disolventes

Este producto solo es apto para el uso previsto y la aplicación de acuerdo con estas instrucciones.

Este manual proporciona la información necesaria para la correcta instalación y/o funcionamiento del dispositivo. Una instalación deficiente y/o un uso y mantenimiento inadecuados conllevan un rendimiento insatisfactorio y posibles fallos.

El fabricante no se hace responsable de ninguna lesión o daño en el producto ocasionados por:

- Un montaje o conexión incorrectos, incluido un exceso de tensión
- Un mantenimiento incorrecto o el uso de piezas de repuesto distintas de las originales proporcionadas por el fabricante
- Modificaciones realizadas en el producto sin el expreso consentimiento del fabricante
- Uso con una finalidad distinta de la descrita en las instrucciones

Dometic se reserva el derecho de cambiar la apariencia y las especificaciones del producto.

Instalación y funcionamiento

Siga las indicaciones de página 5 a página 13:

- Ubicación del aparato: fig. **1**
- Conexión del aparato a corriente continua: fig. **2**
- Conexión del aparato a corriente alterna: fig. **3**
- Conexión del aparato al suministro de gas: fig. **4** – fig. **5**
- Encendido a 12 voltios: fig. **6**
- Encendido a 24 voltios: fig. **7**
- Encendido a gas: fig. **8**
- Ubicación de los alimentos: fig. **9**
- Poner el aparato fuera de servicio: fig. **10**
- Cambio del filtro de gas: fig. **11**
- Sustitución de la batería de encendido: fig. **12**
- Limpieza del quemador: fig. **13**

Garantía

Se aplica el período de garantía estipulado por la ley. Si el producto está defectuoso, contacte con el punto de venta o con la sucursal del fabricante en su país (visite dometic.com/dealer).

Para tramitar la reparación y la garantía, incluya los siguientes documentos cuando envíe el producto:

- Una copia de la factura con fecha de compra
- El motivo de la reclamación o una descripción de la avería

Tenga en cuenta que una reparación por medios propios o no profesionales puede tener consecuencias de seguridad y suponer la anulación de la garantía.

Eliminación



¡ADVERTENCIA! Riesgo de atrapamiento infantil

Cuando se deshaga de su aparato usado, desmonte todas las puertas y deje los estantes colocados en su interior para evitar que algún niño pueda quedarse encerrado en él y se asfixie.

Reciclaje de materiales de embalaje



- Deseche el material de embalaje en el contenedor de reciclaje correspondiente.

Reciclaje de productos con pilas no sustituibles, baterías recargables o fuentes de luz



- Si el producto contiene pilas no sustituibles, baterías recargables o fuentes de luz, no es necesario que las quite antes de desecharlo.



- Cuando vaya a desechar definitivamente el producto, infórmese en el centro de reciclaje más cercano o en un comercio especializado sobre las normas pertinentes de gestión de residuos.
- El producto podrá desecharse gratuitamente.

Leia atentamente as presentes instruções e siga todas as instruções, orientações e avisos incluídos neste manual, de modo a garantir sempre a correta instalação, utilização e manutenção do produto. É OBRIGATÓRIO manter estas instruções junto com o produto.

Ao utilizar o produto, está a confirmar que leu atentamente todas as instruções, orientações e avisos, e que compreende e aceita cumprir os termos e condições estabelecidos no presente manual. Aceita utilizar este produto exclusivamente para o fim e a aplicação a que se destina e de acordo com as instruções, orientações e avisos estabelecidos neste manual, assim como de acordo com todas as leis e regulamentos aplicáveis. Caso não leia nem siga as instruções e os avisos aqui estabelecidos, poderá sofrer ferimentos pessoais ou causar ferimentos a terceiros e o produto ou outros materiais nas proximidades poderão ficar danificados. Este manual do produto, incluindo as instruções, orientações e avisos, bem como a documentação relacionada, podem estar sujeitos a alterações e atualizações. Para consultar as informações atualizadas do produto, visite documents.dometic.com, dometic.com.

Documentos relacionados



Pode encontrar o manual de instruções detalhado e informações sobre os dados técnicos online em qr.dometic.com/bf5KY0.

Indicações de segurança



AVISO!

Respeite igualmente as indicações de segurança incluídas nas página 3 e página 4.

Princípios básicos de segurança



AVISO! O incumprimento destes avisos poderá resultar em morte ou ferimentos graves.

Risco de eletrocussão

- Não coloque o aparelho em funcionamento se este apresentar danos visíveis.
- Se o cabo de alimentação de corrente alternada deste aparelho estiver danificado, terá de ser substituído pelo fabricante, pelo serviço de assistência técnica ou por uma pessoa com qualificações equivalentes, a fim de evitar perigos.
- As reparações neste aparelho só podem ser realizadas por técnicos qualificados. Reparções inadequadas podem dar origem a perigos consideráveis.

Perigo de explosão

Não guarde quaisquer substâncias potencialmente explosivas no aparelho, tais como latas de spray com carburante inflamável.

Perigo de incêndio

O agente de refrigeração no circuito de refrigeração é altamente inflamável. Em caso de danos no circuito de refrigeração (cheiro a amoníaco):

- Desligue o aparelho.
- Evite chamas abertas e faíscas.
- Ventile bem o espaço.

Risco para a saúde

- Nunca abra o agregado de absorção. Este encontra-se sob elevada pressão e pode originar ferimentos durante a abertura.
- Este aparelho pode ser utilizado por crianças a partir dos 8 anos e pessoas com capacidades físicas, sensoriais ou mentais reduzidas ou sem experiência e conhecimento se forem supervisionadas ou receberem instruções sobre a utilização do aparelho de forma segura e compreenderem os perigos implicados.
- As crianças não podem brincar com o aparelho.
- A limpeza e a manutenção não podem ser efetuadas por crianças sem supervisão.
- Crianças com idades entre os 3 e os 8 anos podem colocar e tirar itens de aparelhos.

Risco de as crianças ficarem presas

- Certifique-se de que as prateleiras estão instaladas e fixadas para que não seja possível crianças trancarem-se dentro do aparelho.
- Antes da eliminação do seu frigorífico usado:
 - Desmonte as gavetas.
 - Deixe ficar as prateleiras no frigorífico para que as crianças não entrem nele.



PRECAUÇÃO! O incumprimento destas advertências poderá resultar em ferimentos ligeiros ou moderados.

Perigo de ferimentos

- Não mexa no encosto da tampa com os dedos.
- Não se apoie na porta do aparelho aberta.



NOTA! O incumprimento destas instruções pode resultar em danos no aparelho.

- Para evitar quaisquer perigos, a lâmpada só pode ser substituída pelo fabricante, por um agente de assistência ou por uma pessoa com qualificação semelhante.
- Na limpeza do veículo, não utilize quaisquer aparelhos de limpeza de alta pressão na zona da grelha de ventilação.

- Monte as coberturas de inverno da grelha de ventilação (acessórios) quando limpar o exterior do veículo ou se não o utilizar durante um longo período de tempo.
- O aparelho não é adequado para o transporte de materiais cáusticos ou materiais que contêm solventes.
- O isolamento do aparelho contém ciclopentano inflamável e requer medidas de eliminação especiais. No fim da respetiva vida útil, encaminhe o aparelho para um centro de reciclagem adequado.
- Mantenha a abertura de condensação sempre limpa.
- Nunca mergulhe o aparelho em água.
- Proteja o aparelho e os cabos do calor e da humidade.
- O aparelho não pode ser exposto à chuva.
- Durante o transporte, pegue no aparelho apenas pelo corpo. Nunca pegue no aparelho pelo agregado de absorção, pelas aletas de refrigeração, pelos tubos de gás, pela porta ou pelo painel de comando.
- Não coloque o aparelho na proximidade de chamas abertas ou de outras fontes de calor (aquecedores, radiação solar direta, fornos a gás, etc.).
- Ligue o aparelho à rede de corrente alternada apenas com o cabo de conexão de corrente alternada fornecido.
- Consulte o fabricante do seu veículo para esclarecer se a gestão de bateria do veículo desliga os aparelhos como medida de proteção da bateria.
- Coloque a porta do aparelho e a porta do congelador na posição de inverno se souber que não vai utilizar o aparelho durante um longo período. Assim, evita-se a formação de bolor.

Instalar e ligar o aparelho à fonte de energia com segurança



AVISO! O incumprimento destes avisos poderá resultar em morte ou ferimentos graves.

Perigo de incêndio

- Assegure-se de que o circuito do aparelho não sofre danos durante o transporte.
- Ao colocar o aparelho, certifique-se de que o cabo de alimentação não fica preso nem é danificado.
- Não coloque tomadas múltiplas ou fontes de alimentação portáteis na parte de trás do aparelho.



NOTA! O incumprimento destas instruções pode resultar em danos no aparelho.

Risco de sobreaquecimento

- Certifique-se sempre de que a ventilação é suficiente para que o calor gerado durante o funcionamento seja devidamente dissipado. Certifique-se de que o aparelho está posicionado a uma distância suficiente de paredes ou objetos de modo a que o ar possa circular livremente.
- Para que o líquido refrigerante possa circular corretamente, o aparelho não pode exceder um ângulo de inclinação de 3°. Coloque o aparelho em posição plana com o auxílio de um nível de bolha de ar.

Utilização segura do aparelho



AVISO! O incumprimento destes avisos poderá resultar em morte ou ferimentos graves.

Risco de eletrocussão

- Antes de colocar o aparelho em funcionamento, certifique-se de que a conexão e a ficha estão secas.
- Desligue o aparelho da fonte de energia
 - Antes de cada limpeza e manutenção
 - depois de cada utilização

Risco para a saúde

- Verifique se a potência de refrigeração do aparelho cumpre os requisitos dos géneros alimentícios que pretende refrigerar.
- Utilize o aparelho apenas em locais bem ventilados.
- Opere sempre o aparelho apenas com uma fonte de energia.
- Os alimentos apenas podem ser guardados nas embalagens originais ou em recipientes adequados.
- Abrir o aparelho durante longos períodos pode provocar um aumento significativo da temperatura nos compartimentos do aparelho.
- Limpe regularmente as superfícies que entram em contacto com alimentos e os sistemas de drenagem acessíveis.

- Guarde a carne e o peixe crus no aparelho em recipientes adequados de forma a que não entrem em contacto com outros géneros alimentícios nem pinguem para os mesmos.
- Se o aparelho estiver exposto a uma temperatura ambiente inferior a +10 °C durante um período de tempo prolongado, não é possível garantir uma temperatura constante do congelador. Tal pode levar a um aumento da temperatura no congelador e ao descongelamento dos alimentos aí guardados.
- Se o aparelho ficar vazio durante longos períodos:
 - Desligue o aparelho.
 - Descongele o aparelho.
 - Limpe e seque o aparelho.
 - Deixe a porta aberta para impedir o crescimento de bolor no interior do aparelho.
- Se o aparelho estiver ligado a uma saída de corrente contínua: Desconecte ou desligue o aparelho se desligar o motor. Caso contrário, a bateria do veículo pode descarregar.
- Certifique-se de que as aberturas de ventilação não estão tapadas.
- Não utilize aparelhos elétricos dentro deste aparelho, exceto se esses aparelhos elétricos tiverem sido recomendados para o efeito pelo fabricante.
- Não verta líquidos nem gelo para dentro do recipiente interior.
- Guarde os objetos pesados como, por exemplo, garrafas ou latas, exclusivamente na porta do aparelho, no compartimento para legumes ou na prateleira inferior.



PRECAUÇÃO! O incumprimento destas advertências poderá resultar em ferimentos ligeiros ou moderados.

Perigo de ferimentos

- Feche e tranque a porta do aparelho antes de iniciar uma viagem.
- O agregado de refrigeração situado na parte posterior do aparelho aquece bastante durante o funcionamento. Com as grelhas de ventilação retiradas, proteja-se contra contacto com componentes quentes.



NOTA! O incumprimento destas instruções pode resultar em danos no aparelho.

- Verifique se a indicação de tensão na chapa de características corresponde à da alimentação de energia.
- Conecte o aparelho apenas do seguinte modo:
 - Saída de corrente contínua: Utilize apenas cabos com uma secção transversal apropriada.
 - Saída de corrente alternada: Utilize apenas o cabo de corrente alternada fornecido.
- Nunca retire a ficha da tomada puxando pelo cabo.
- Se o aparelho estiver ligado a uma saída de corrente contínua: Selecione o funcionamento a corrente contínua (funcionamento com bateria) apenas se estiver a utilizar um monitorizador da bateria ou se o gerador do seu veículo fornecer uma tensão suficiente.



AVISO! O incumprimento destes avisos poderá resultar em morte ou ferimentos graves.

Perigo de explosão

- Coloque o aparelho em funcionamento exclusivamente com a pressão indicada na chapa de características. Utilize apenas reguladores de pressão com um ajuste fixo em conformidade com as normas nacionais. Utilize um regulador de pressão com ajuste fixo, em conformidade com a norma DIN EN 16129.

Risco de asfíxia

- A operação do aparelho com gás num espaço não ventilado provoca insuficiência de oxigénio neste espaço.
- Não opere o aparelho com gás em zonas não ventiladas como espaços fechados, tendas, automóveis, caravanas, autocaravanas, barcos, iates, bagageiras ou cabinas de camiões.
- Não utilize o aparelho em divisões com um volume inferior a 40 m³.
- Não coloque o aparelho na proximidade de materiais facilmente inflamáveis (papel, folhas secas, têxteis).
- Mantenha os objetos inflamáveis longe do queimador.
- **Nunca** guarde botijas de gás liquefeito em locais sem ventilação ou abaixo do nível do solo (cavidades no solo em forma de funil).
- Proteja as botijas de gás liquefeito da luz solar direta. A temperatura não pode exceder os 50 °C.

- Nunca use uma chama aberta para verificar o aparelho quanto a fugas.
- Se se aperceber de cheiro a gás:
 - Feche a torneira de bloqueio do abastecimento de gás e a válvula da botija.
 - Não acione quaisquer interruptores elétricos.
 - Extinga as chamas abertas.
 - Solicite a verificação do sistema de gás por um especialista.

- Não deixe o aparelho a funcionar com gás sem supervisão.



NOTA! O incumprimento destas instruções pode resultar em danos no aparelho.

Utilize apenas gás propano ou butano (nunca gás natural).

Utilização adequada

O aparelho de refrigeração móvel está concebido para ser utilizado em aplicações domésticas e semelhantes, tais como:

- Explorações agrícolas
- Áreas de cozinha do pessoal em estabelecimentos comerciais, escritórios e outros ambientes de trabalho
- Por clientes em hotéis, motéis e outros ambientes de tipo residencial
- Ambientes do tipo “bed and breakfast”
- Aplicações do ramo de catering e em aplicações semelhantes do comércio grossista

O aparelho é adequado para:

- Refrigerar e armazenar alimentos, assim como armazenar alimentos congelados
- Funcionar com corrente contínua, corrente alternada ou gás

O aparelho **não** é adequado para:

- Utilizar como aparelho de encastrar
- Utilizar em edifícios altos, quartos abaixo do nível do solo, casas de banho e quartos
- Utilizar em veículos
- Utilizar em embarcações
- Utilizar em divisões com um volume inferior a 40 m³, por exemplo, tamanho da divisão de 4 x 4 m com uma altura de 2,50 m
- Utilizar em áreas que não são bem ventiladas
São consideradas divisões bem ventiladas as divisões em que há mais do que uma renovação de ar por hora, com janelas e portas sem juntas estanques. As divisões devem ter, pelo menos, uma janela que possa ser aberta ou uma porta com ligação direta para o exterior

- Armazenar medicamentos.
- Armazenar substâncias cáusticas ou substâncias que contenham solventes

Este produto destina-se exclusivamente à aplicação e aos fins pretendidos com base nestas instruções.

Este manual fornece informações necessárias para proceder a uma instalação e/ou a uma operação adequadas do aparelho. Uma instalação e/ou uma operação ou manutenção incorretas causarão um desempenho insatisfatório e uma possível avaria.

O fabricante não aceita qualquer responsabilidade por danos ou prejuízos no produto resultantes de:

- Montagem ou ligação incorreta, incluindo sobretensões
- Manutenção incorreta ou utilização de peças sobressalentes não originais fornecidas pelo fabricante
- Alterações ao produto sem autorização expressa do fabricante
- Utilização para outras finalidades que não as descritas no presente manual

A Dometic reserva-se o direito de alterar o design e as especificações do produto.

Instalar e utilizar

Proceda conforme ilustrado na página 5 a página 13:

- Instalar o aparelho: fig. **1**
- Ligar o aparelho à alimentação de corrente contínua: fig. **2**
- Ligar o aparelho à alimentação de corrente alternada: fig. **3**
- Ligar o aparelho ao gás: fig. **4** – fig. **5**
- Ligar a fonte de alimentação de 12 V: fig. **6**
- Ligar a fonte de alimentação de 24 V: fig. **7**
- Ligar o abastecimento de gás: fig. **8**
- Colocar alimentos no aparelho: fig. **9**
- Desligar o aparelho: fig. **10**
- Substituir o filtro de gás: fig. **11**
- Substituir a bateria de ignição: fig. **12**
- Limpar o queimador: fig. **13**

Garantia

Aplica-se o prazo de garantia legal. Se o produto apresentar defeitos, contacte o seu revendedor ou a filial do fabricante no seu país (ver dometic.com/dealer).

Para fins de reparação e do processamento da garantia, envie também os seguintes documentos quando devolver o produto:

- Uma cópia da fatura com a data de aquisição
- Um motivo de reclamação ou uma descrição da falha

Tenha em atenção que as reparações feitas por si ou por não profissionais podem ter consequências sobre a segurança e anular a garantia.

Eliminação



AVISO! Risco de as crianças ficarem presas

Para eliminação do aparelho usado, desmonte todas as portas do aparelho e deixe as prateleiras no seu interior para evitar que crianças fiquem presas no interior e possam asfixiar.

Reciclagem do material de embalagem



- ▶ Sempre que possível, coloque o material de embalagem no respetivo contentor de reciclagem.

Reciclagem de produtos com baterias, baterias recarregáveis ou fontes de luz não substituíveis



- ▶ Se o produto contiver quaisquer pilhas, baterias recarregáveis ou fontes de luz não substituíveis, não tem de as remover antes da eliminação.



- ▶ Para eliminar definitivamente o produto, informe-se junto do centro de reciclagem ou revendedor mais próximo sobre as disposições de eliminação aplicáveis.
- ▶ O produto pode ser eliminado gratuitamente.

Si prega di leggere attentamente e di seguire tutte le istruzioni, le linee guida e le avvertenze incluse in questo manuale del prodotto, al fine di garantire che il prodotto venga sempre installato, utilizzato e mantenuto nel modo corretto. Queste istruzioni DEVONO essere conservate insieme al prodotto.

Utilizzando il prodotto, l'utente conferma di aver letto attentamente tutte le istruzioni, le linee guida e le avvertenze e di aver compreso e accettato di rispettare i termini e le condizioni qui espressamente indicati. L'utente accetta di utilizzare questo prodotto solo per lo scopo e l'applicazione previsti e in conformità con le istruzioni, le linee guida e le avvertenze indicate nel presente manuale del prodotto, nonché in conformità con tutte le leggi e i regolamenti applicabili. La mancata lettura e osservanza delle istruzioni e delle avvertenze qui espressamente indicate può causare lesioni personali e a terzi, danni al prodotto o ad altre proprietà nelle vicinanze. Il presente manuale del prodotto, comprese le istruzioni, le linee guida e le avvertenze e la relativa documentazione possono essere soggetti a modifiche e aggiornamenti. Per informazioni aggiornate sul prodotto, si prega di visitare il sito documents.dometic.com, dometic.com.

Documenti correlati



Il manuale di istruzioni nella versione dettagliata e le informazioni sulle specifiche tecniche sono disponibili online all'indirizzo:
qr.dometic.com/bf5KYO.

Istruzioni per la sicurezza



AVVERTENZA!

Osservare anche le istruzioni per la sicurezza da pagina 3 a pagina 4.

Sicurezza generale



AVVERTENZA! La mancata osservanza di queste avvertenze potrebbe causare la morte o lesioni gravi.

Pericolo di scosse elettriche

- Non mettere in funzione l'apparecchio se presenta danni visibili.
- Per evitare possibili pericoli legati alla sicurezza, se il cavo di collegamento CA del presente apparecchio è danneggiato deve essere sostituito dal produttore, dal suo servizio assistenza clienti oppure da personale ugualmente qualificato.
- Questo apparecchio può essere riparato solo da personale qualificato. Riparazioni eseguite non correttamente possono creare considerevoli rischi.

Pericolo di esplosione

Non conservare nell'apparecchio sostanze esplosive come ad es. bombolette spray con gas propellente infiammabile.

Pericolo di incendio

Il refrigerante nel circuito di raffreddamento è altamente infiammabile. In caso di danneggiamento del circuito di raffreddamento (odore di ammoniaca):

- Spegnerne l'apparecchio.
- Evitare fiamme libere e scintille.
- Aerare bene l'ambiente.

Pericolo per la salute

- Non aprire mai il gruppo di assorbimento perché è sotto alta pressione e, se aperto, può causare lesioni.
- Questo apparecchio può essere utilizzato da bambini di età superiore a 8 anni, da persone con ridotte capacità fisiche, sensoriali o mentali o da persone inesperte o prive di conoscenze specifiche solo se sorvegliate o preventivamente istruite sull'impiego dell'apparecchio in sicurezza e se informate dei pericoli legati al prodotto stesso e in grado di comprenderli.
- I bambini non devono giocare con l'apparecchio.
- La pulizia e la manutenzione non devono essere eseguite da bambini senza la presenza di un adulto.
- I bambini dai 3 agli 8 anni possono riempire e svuotare gli apparecchi.

Rischio di intrappolamento per i bambini

- Assicurarsi che i ripiani siano montati e fissati in modo che i bambini non possano chiudersi all'interno dell'apparecchio.
- Prima di smaltire il vostro vecchio frigorifero:
 - Smontare il cassetto.
 - Lasciare i piani d'appoggio all'interno del frigorifero in modo che i bambini non possano usarli come mezzi di salita.



ATTENZIONE! La mancata osservanza di queste precauzioni potrebbe causare lesioni lievi o moderate.

Rischio di lesioni

- Non mettere le dita nella cerniera.
- Non appoggiarsi sulla porta dell'apparecchio aperta.



AVVISO! La mancata osservanza di queste istruzioni può causare danni all'apparecchio.

- Per prevenire rischi, la lampadina può essere sostituita soltanto dal produttore, da un tecnico di assistenza o da una persona dotata di qualifica analoga.
- Per la pulizia del veicolo, non utilizzare un'idropulitrice nel settore della griglia di ventilazione.
- Montare le coperture invernali della griglia di ventilazione (accessori) se il veicolo viene pulito esternamente o se non viene utilizzato per lungo tempo.
- L'apparecchio non è adatto per il trasporto di materiale caustico o materiali contenenti solventi.
- L'isolamento del frigorifero contiene ciclopentano infiammabile e necessita di procedure speciali per lo smaltimento. Al termine del suo ciclo di vita consegnare l'apparecchio presso un centro di riciclaggio adatto.
- Mantenere l'apertura della condensa sempre pulita.
- Non immergere mai l'apparecchio in acqua.
- Proteggere l'apparecchio e i cavi dal caldo e dall'umidità.
- Non esporre il dispositivo alla pioggia.

Posizionamento e collegamento dell'apparecchio in modo sicuro



AVVERTENZA! La mancata osservanza di queste avvertenze potrebbe causare la morte o lesioni gravi.

Pericolo di incendio

- Prestare attenzione durante il trasporto a non danneggiare il circuito dell'apparecchio.
- Durante il posizionamento dell'apparecchio, assicurarsi che il cavo di alimentazione non venga bloccato o danneggiato.
- Non collocare prese multiple portatili o alimentatori portatili sul retro dell'apparecchio.



AVVISO! La mancata osservanza di queste istruzioni può causare danni all'apparecchio.

Rischio di surriscaldamento

- Assicurarsi sempre che il calore generato durante il funzionamento possa fuoriuscire liberamente. Fare in modo che la distanza fra l'apparecchio e le pareti o altri oggetti sia tale da permettere all'aria di circolare.
- Affinché il refrigerante possa circolare correttamente, l'apparecchio non deve superare un angolo di inclinazione di 3°. Posizionare l'apparecchio in orizzontale servendosi di una livella ad acqua.
- Fissare l'apparecchio durante il trasporto solo utilizzando la struttura centrale. Non tenerlo fermo mai per il gruppo di assorbimento, le alette di raffreddamento, i tubi del gas, la porta o il pannello di controllo.
- Non posizionare l'apparecchio in prossimità di fiamme libere o di altre fonti di calore (radiatori, diretta esposizione ai raggi solari, forni a gas ecc.).
- Collegare l'apparecchio alla presa di corrente alternata usando esclusivamente il cavo previsto per l'allacciamento alla corrente alternata.
- Chiedere al costruttore del veicolo se la gestione della batteria del veicolo in questione spegne i dispositivi per proteggere la batteria.
- Mettere la porta dell'apparecchio e la porta della cella freezer in posizione invernale se non si intende utilizzare l'apparecchio per un lungo periodo di tempo. In questo modo si evita la formazione di muffa.

Sicurezza durante l'utilizzo del dispositivo



AVVERTENZA! La mancata osservanza di queste avvertenze potrebbe causare la morte o lesioni gravi.

Pericolo di scosse elettriche

- Prima della messa in funzione dell'apparecchio, assicurarsi che la rete di alimentazione e la spina siano asciutte.
- Scollegare l'apparecchio dall'alimentazione elettrica
 - prima di effettuare la pulizia e la cura
 - e dopo ogni utilizzo

Pericolo per la salute

- Accertarsi che la capacità di raffreddamento del frigorifero sia adatta agli alimenti da refrigerare.
- Mettere in funzione l'apparecchio solo in luoghi ben aerati.
- Azionare l'apparecchio sempre e unicamente con una sola fonte di energia.
- I generi alimentari possono essere conservati solo nelle confezioni originali o in contenitori adatti.
- L'apertura prolungata dell'apparecchio può causare un significativo aumento della temperatura nei vani dell'apparecchio.
- Pulire regolarmente le superfici che vengono a contatto con gli alimenti e i sistemi di scarico accessibili.
- Conservare la carne e il pesce crudi nell'apparecchio in contenitori idonei, in modo che non vengano a contatto con altri alimenti o non vi gocciolino sopra.
- Se l'apparecchio viene esposto a una temperatura ambiente inferiore a +10 °C per un periodo prolungato, non può essere garantita una temperatura omogenea nella cella freezer. Ciò può causare un aumento della temperatura nella cella freezer e lo scongelamento dei cibi ivi conservati.
- Se l'apparecchio viene lasciato vuoto per lunghi periodi:
 - Spegnerne l'apparecchio.
 - Sbrinare l'apparecchio.
 - Pulire e asciugare l'apparecchio.
 - Lasciare la porta aperta per evitare lo sviluppo di muffe all'interno dell'apparecchio.



ATTENZIONE! La mancata osservanza di queste precauzioni potrebbe causare lesioni lievi o moderate.

Rischio di lesioni

- Chiudere e bloccare la porta dell'apparecchio prima di mettersi in viaggio.
- Il gruppo di raffreddamento sul lato posteriore dell'apparecchio diventa molto caldo durante il funzionamento. Proteggersi dal contatto con parti calde quando si estraiono le griglie di ventilazione.



AVVISO! La mancata osservanza di queste istruzioni può causare danni all'apparecchio.

- Confrontare i dati della tensione riportati sulla targhetta con quelli delle prese e degli attacchi disponibili.
- Collegare l'apparecchio solo nel modo seguente:
 - Presa CC: utilizzare solo cavi con una sezione adatta.
 - Presa CA: utilizzare solo il cavo di corrente alternata fornito in dotazione
- Non estrarre mai la spina dalla presa tirando il cavo.
- Se l'apparecchio è collegato a un presa di corrente continua: selezionare il funzionamento a corrente continua (funzionamento a batteria) solo se viene impiegato un dispositivo di controllo automatico della batteria o se il generatore del veicolo produce sufficiente tensione.
- Se l'apparecchio è collegato a un presa di corrente continua: Staccare l'apparecchio o spegnerlo quando il motore viene spento. Altrimenti la batteria si può scaricare.
- Fare attenzione che le aperture di aerazione non vengano coperte.
- Non utilizzare apparecchi elettrici all'interno dell'apparecchio, a eccezione di quelli appositamente consigliati dallo stesso produttore.
- Non versare nessun tipo di liquido o ghiaccio nel contenitore interno.
- Collocare oggetti pesanti come ad es. bottiglie o scatolette esclusivamente nella porta dell'apparecchio, nello scomparto verdure o sul ripiano inferiore.

Sicurezza durante il funzionamento a gas



AVVERTENZA! La mancata osservanza di queste avvertenze potrebbe causare la morte o lesioni gravi.

Pericolo di esplosione

- Far funzionare l'apparecchio esclusivamente con la pressione indicata sulla targhetta. Utilizzare solo regolatori di pressione, a taratura fissa, conformi alle norme nazionali. Impiegare un regolatore di pressione a regolazione fissa, in conformità a DIN EN 16129.

Rischio di asfissia

- Il funzionamento del dispositivo con gas in un ambiente non aerato causa mancanza di ossigeno.
- Non utilizzare l'apparecchio con l'alimentazione a gas in ambienti non aerati come stanze chiuse, tende da campeggio, veicoli, caravan, camper, navi, yacht, barche e cabine di autocarri.
- Non utilizzare l'apparecchio in ambienti con volume inferiore a 40 m³.
- Non mettere il dispositivo in prossimità di materiali infiammabili (carta, fogliame secco, prodotti tessili).
- Tenere lontani gli oggetti infiammabili dal bruciatore.
- Non conservare **mai** le bombole di gas liquido in luoghi non aerati o al di sotto del livello del terreno (avvallamenti del terreno a forma di imbuto).
- Tenere le bombole di gas liquido lontano dalla luce diretta del sole. La temperatura non deve superare i 50 °C.
- Non usare mai fiamme libere per controllare eventuali difetti di tenuta dell'apparecchio.
- In caso di odore di gas:
 - Chiudere il rubinetto di intercettazione dell'alimentazione del gas e la valvola della bombola.
 - Non accendere nessun interruttore.
 - Spegnerne eventuali fiamme libere.
 - Far verificare l'impianto a gas da un esperto autorizzato.
- Non lasciare l'apparecchio in funzione senza sorveglianza quando è in modalità gas.



AVVISO! La mancata osservanza di queste istruzioni può causare danni all'apparecchio.

Impiegare solo propano o butano (non metano).

Destinazione d'uso

L'apparecchio di refrigerazione mobile è destinato ad essere utilizzato in applicazioni domestiche e simili, quali:

- agriturismo
- aree cucina del personale in negozi, uffici e altri ambienti di lavoro
- clienti in hotel, motel e altri ambienti di tipo residenziale
- ambienti di tipo bed and breakfast
- catering e applicazioni simili non al dettaglio.

Il dispositivo è adatto per:

- Raffreddamento e conservazione degli alimenti e conservazione di alimenti surgelati
- funzionamento con alimentazione CC, CA o gas.

Il dispositivo **non** è adatto per:

- utilizzo come apparecchio da incasso
- utilizzo in edifici a più piani, camere ubicate nel seminterrato, bagni e camere da letto
- utilizzo nei veicoli
- utilizzo in barche
- utilizzo in stanze di dimensioni inferiori a 40 m³, ad esempio superfici 4 x 4 m con un'altezza di 2,50 m.
- utilizzo in ambienti senza sufficiente ventilazione
Per stanze ben ventilate si intendono quegli ambienti in cui ci sono frequenti ricambi d'aria ogni ora, con finestre e porte non a tenuta stagna. Le stanze devono avere almeno una finestra che può essere aperta o una porta che conduce direttamente all'esterno
- conservare medicinali
- conservare sostanze corrosive o sostanze contenenti solventi.

Questo prodotto è adatto solo per l'uso e l'applicazione previsti in conformità alle presenti istruzioni.

Questo manuale fornisce le informazioni necessarie per la corretta installazione e/o il corretto utilizzo dell'apparecchio. Un'installazione errata e/o un utilizzo o una manutenzione impropri comporteranno prestazioni insoddisfacenti e un possibile guasto.

Il produttore non si assume alcuna responsabilità per eventuali lesioni o danni al prodotto che derivino da:

- montaggio o collegamento non corretti, compresa la sovratensione
- manutenzione non corretta o uso di ricambi diversi da quelli originali forniti dal produttore
- modifiche al prodotto senza esplicita autorizzazione del produttore
- impiego per scopi diversi da quelli descritti nel presente manuale.

Dometic si riserva il diritto di modificare l'aspetto e le specifiche del prodotto.

Installazione e funzionamento

Procedere come illustrato da pagina 5 a pagina 13:

- Posizionamento dell'apparecchio: fig. **1**
- Collegamento dell'apparecchio all'alimentazione CC: fig. **2**
- Collegamento dell'apparecchio all'alimentazione CA: fig. **3**
- Collegamento dell'apparecchio al gas: fig. **4** – fig. **5**
- Accensione dell'alimentazione elettrica da 12 V: fig. **6**
- Accensione dell'alimentazione elettrica da 24 V: fig. **7**
- Accensione dell'alimentazione del gas: fig. **8**
- Posizionamento di alimenti: fig. **9**
- Spegnimento dell'apparecchio: fig. **10**
- Sostituzione del filtro del gas: fig. **11**
- Sostituzione della batteria di accensione: fig. **12**
- Pulizia dei bruciatori: fig. **13**

Garanzia

Vale il termine di garanzia previsto dalla legge. Se il prodotto è difettoso, contattare il rivenditore di fiducia o la filiale del fabbricante nel proprio Paese (vedi dometic.com/dealer).

Per la gestione della riparazione e della garanzia è necessario inviare la seguente documentazione insieme al prodotto:

- una copia della ricevuta con la data di acquisto,
- il motivo della richiesta o la descrizione del guasto.

Tenere presente che le riparazioni eseguite in autonomia o da personale non professionista possono avere conseguenze sulla sicurezza e invalidare la garanzia.

Smaltimento



AVVERTENZA! Rischio di intrappolamento per i bambini

Per lo smaltimento, smontare tutte le porte dell'apparecchio e lasciare i ripiani al suo interno per impedire che un bambino possa involontariamente chiudersi dentro e soffocare.

Riciclaggio del materiale da imballaggio



- Smaltire il materiale di imballaggio possibilmente negli appositi contenitori di riciclaggio.

Riciclaggio di prodotti con batterie non sostituibili, batterie ricaricabili o fonti di luce



- Se il prodotto contiene batterie non sostituibili, batterie ricaricabili o fonti di luce, non è necessario rimuoverle prima dello smaltimento.



- Per smaltire definitivamente il prodotto, informarsi presso il centro di riciclaggio più vicino o presso il proprio rivenditore specializzato sulle norme relative allo smaltimento.
- È possibile smaltire il prodotto gratuitamente.

Lees deze gebruiksaanwijzing zorgvuldig door en volg alle instructies, richtlijnen en waarschuwingen in deze handleiding op om ervoor te zorgen dat u het product te allen tijde op de juiste manier installeert, gebruikt en onderhoudt. Deze gebruiksaanwijzing MOET bij dit product bewaard worden.

Door het product te gebruiken, bevestigt u hierbij dat u alle instructies, richtlijnen en waarschuwingen zorgvuldig hebt gelezen en dat u de voorwaarden zoals hierin beschreven begrijpt en accepteert. U gaat ermee akkoord dit product alleen te gebruiken voor het beoogde doel en de beoogde toepassing en in overeenstemming met de instructies, richtlijnen en waarschuwingen zoals beschreven in deze gebruiksaanwijzing en in overeenstemming met de geldende wet- en regelgeving. Het niet lezen en opvolgen van de hierin beschreven instructies en waarschuwingen kan leiden tot letsel voor uzelf en anderen, schade aan uw product of schade aan andere eigendommen in de omgeving. Deze gebruiksaanwijzing, met inbegrip van de instructies, richtlijnen en waarschuwingen, en de bijbehorende documentatie kan onderhevig zijn aan wijzigingen en updates. Actuele productinformatie vindt u op documents.dometic.com, dometic.com.

Bijbehorende documenten



De gedetailleerde gebruiksaanwijzing en informatie over technische gegevens vindt u online op qr.dometic.com/bf5KY0.

Veiligheidsaanwijzingen



WAARSCHUWING!

Neem ook de veiligheidsaanwijzingen op pagina 3 tot pagina 4 in acht.

Algemene veiligheid



WAARSCHUWING! Het niet in acht nemen van deze waarschuwingen kan leiden tot ernstig letsel of de dood.

Gevaar voor elektrische schokken

- Gebruik het toestel niet als het zichtbaar beschadigd is.
- Als de wisselstroomkabel van het toestel beschadigd is, moet deze, om gevaren te voorkomen, worden vervangen door de fabrikant, diens klantenservice of een gelijkwaardig gekwalificeerd persoon.
- Dit toestel mag uitsluitend worden gerepareerd door bevoegd personeel. Ondeskundige reparaties kunnen leiden tot aanzienlijke gevaren.

Explosiegevaar

Bewaar geen explosiegevaarlijke stoffen zoals bijvoorbeeld spuitbussen met een ontvlambaar drijf-gas in het toestel.

Brandgevaar

Het koelmiddel in de koelkring is licht ontvlambaar. Bij een beschadiging van de koelkring (geur van ammoniak):

- Schakel het toestel uit.
- Vermijd open vuur en vonken.
- Ventileer de ruimte goed.

Gevaar voor de gezondheid

- Open het absorptieaggregaat nooit. Het staat onder hoge druk en kan letsel veroorzaken, als het wordt geopend.
- Dit toestel mag worden gebruikt door kinderen vanaf 8 jaar en ouder evenals door personen met verminderd fysiek, zintuiglijk of mentaal vermogen of gebrek aan kennis en ervaring, mits zij onder toezicht staan of zijn geïnstrueerd in het veilig gebruik van het toestel en zij inzicht hebben in de gevaren die het gebruik van het toestel met zich meebrengt.
- Kinderen mogen niet met het toestel spelen.
- Reiniging en gebruikersonderhoud mogen niet door kinderen zonder toezicht worden uitgevoerd.
- Kinderen van 3 tot 8 jaar mogen toestellen in- en uitruimen.

Gevaar voor insluiting van kinderen

- Zorg ervoor dat de legplanken zodanig zijn gemonteerd en beveiligd dat kinderen zich niet in het toestel kunnen opsluiten.
- Voor het afvoeren van uw oude koelkast:
 - Demonteer de laden.
 - Laat de legplanken in de koelkast, zodat kinderen er niet in kunnen klimmen.



VOORZICHTIG! Het niet in acht nemen van deze waarschuwingen kan leiden tot licht of matig letsel.

Gevaar voor letsel

- Grijp niet in het scharnier.
- Leun niet op de geopende toesteldeur.



LET OP! Het niet in acht nemen van deze instructies kan leiden tot beschadiging van het toestel.

- Om gevaren te voorkomen moet de lamp worden vervangen door de fabrikant, servicemedewerker of een gelijkwaardig gekwalificeerde persoon.
- Gebruik voor voertuigreiniging rond het ventilatierooster geen hogedrukreiniger met water.

- Monteer de winterafdekkingen van het ventilatierooster (toebehoren) als het voertuig van buiten wordt gereinigd of langdurig uit bedrijf wordt genomen.
- Het toestel is niet geschikt voor het transporteren van bijtende materialen of materialen die oplosmiddelen bevatten.
- De isolatie van het toestel bevat onvlambaar cyclopentaan waarvoor bij de afvoer speciale verwerkingsprocedures gelden. Breng het toestel aan het einde van zijn levensduur naar een erkend afvalverwerkingsbedrijf.
- Houd de condensatieopening altijd schoon.
- Dompel het toestel nooit onder in water.
- Bescherm het toestel en de kabels tegen hitte en vocht.
- Het toestel mag niet aan regen worden blootgesteld.

Toestel veilig plaatsen en aansluiten



WAARSCHUWING! Het niet in acht nemen van deze waarschuwingen kan leiden tot ernstig letsel of de dood.

Brandgevaar

- Zorg ervoor dat het toestelcircuit niet beschadigd raakt tijdens het transport.
- Zorg er bij het positioneren van het toestel voor dat de voedingskabel niet verstrikt of beschadigd raakt.
- Plaats geen meervoudige stekkerdozen of draagbare voedingen achter het toestel.



LET OP! Het niet in acht nemen van deze instructies kan leiden tot beschadiging van het toestel.

Gevaar voor oververhitting

- Let er altijd op dat de warmte die bij het gebruik ontstaat goed afgevoerd kan worden. Zorg ervoor dat het toestel op voldoende afstand tot wanden en andere voorwerpen staat, zodat de lucht kan circuleren.
- Voor een optimale circulatie van het koudemiddel mag de hellingshoek van het toestel maximaal 3° bedragen. Plaats hiervoor het toestel met een waterpas horizontaal.
- Houd het toestel tijdens het transport alleen aan de toestelbehuizing vast. Houd het toestel nooit aan het absorptieaggregaat, de koelribben, gasleidingen, deur of het bedieningspaneel vast.

- Plaats het toestel niet in de buurt van open vuur of andere warmtebronnen (verwarming, direct zonlicht, gasovens etc.).
- Sluit het toestel uitsluitend met de bijbehorende wisselstroomaansluitkabel aan op de wisselstroomcontactdoos.
- Vraag uw voertuigfabrikant of het accumanagementsysteem van uw voertuig de toestellen uitschakelt om de accu te beschermen.
- Zet de koelkastdeur en het vriesvak in winterpositie als u het toestel gedurende een lange periode niet gaat gebruiken. Zo wordt schimmelvorming voorkomen.

Veiligheid bij het gebruik van het toestel



WAARSCHUWING! Het niet in acht nemen van deze waarschuwingen kan leiden tot ernstig letsel of de dood.

Gevaar voor elektrische schokken

- Let er voor de ingebruikname op dat voedingskabel en stekker droog zijn.
- Ontkoppel het toestel van de stroomvoorziening
 - voor elke reiniging en elk onderhoud
 - na elk gebruik

Gevaar voor de gezondheid

- Controleer of het koelvermogen van het apparaat voldoet aan de eisen van de levensmiddelen die u wilt koelen.
- Gebruik het toestel alleen op goed geventileerde plaatsen.
- Gebruik het koeltoestel alleen met één enkele energiebron.
- Levensmiddelen mogen alleen in de originele verpakking of in geschikte bakken worden bewaard.
- Langdurig openen van het toestel kan leiden tot een aanzienlijke temperatuurstijging in de compartimenten van het toestel.
- Reinig oppervlakken die in contact komen met voedsel en aftapsystemen regelmatig.
- Bewaar rauw vlees en rauwe vis in geschikte bakken in het toestel, zodat contact met andere levensmiddelen niet mogelijk is, ook niet door druppelen.

- As het toestel langdurig wordt blootgesteld aan een kamertemperatuur lager dan +10 °C, kan een gelijkmatige temperatuur in het vriesvak niet worden gegarandeerd. Dit kan leiden tot een temperatuurstijging in het vriesvak waardoor de opgeslagen levensmiddelen kunnen ontdoien.
- Als het toestel voor een langere periode leeg wordt gehouden:
 - Schakel het toestel uit.
 - Ontdooi het toestel.
 - Reinig en droog het toestel.
 - Laat de deur open om schimmelvorming in het toestel te voorkomen.



VOORZICHTIG! Het niet in acht nemen van deze waarschuwingen kan leiden tot licht of matig letsel.

Gevaar voor letsel

- Sluit en vergrendel de toesteldeur voordat u gaat rijden.
- Het koelaggregaat aan de achterzijde van het toestel wordt tijdens gebruik zeer heet. Ga voorzichtig om met hittegeleidende delen van uitgenomen ventilatieroosters.



LET OP! Het niet in acht nemen van deze instructies kan leiden tot beschadiging van het toestel.

- Vergelijk de spanningsgegevens op het typeplaatje met de beschikbare energietoevoer.
- Sluit het toestel alleen als volgt aan:
 - Gelijkstroomcontactdoos: gebruik alleen kabels met een geschikte kabeldiameter.
 - Wisselstroomcontactdoos: gebruik alleen de bijgeleverde wisselstroomkabel.
- Trek de stekker nooit aan de kabel uit het stopcontact.
- Als het toestel op een gelijkstroomcontactdoos is aangesloten: Kies gebruik met gelijkstroom (accubedrijf) alleen als u een accumulator gebruikt of de voertuiggenerator voldoende spanning levert.
- Als het toestel op een gelijkstroomcontactdoos is aangesloten: Ontkoppel het toestel van de accu of schakel het uit wanneer u de motor uitschakelt. Anders kan de voertuigaccu leeg raken.
- Let erop dat de ventilatieopeningen niet worden afgedekt.

- Gebruik geen elektrische toestellen in het toestel, behalve als deze toestellen daarvoor door de fabrikant worden aanbevolen.
- Vul het binnenreservoir niet met vloeistoffen of ijs.
- Bewaar zware voorwerpen zoals flessen of conserven uitsluitend in de toesteldeur, in het groentevak of op de onderste legplank.

Veilig gebruik met gas



WAARSCHUWING! Het niet in acht nemen van deze waarschuwingen kan leiden tot ernstig letsel of de dood.

Explosiegevaar

- Gebruik het toestel uitsluitend met de op het typeplaatje aangegeven druk. Gebruik alleen drukregelaars met een vaste instelling die voldoen aan de nationale voorschriften. Gebruik een vast ingestelde drukregelaar conform DIN EN 16129.

Verstikkingsgevaar

- Gebruik van het apparaat met gas in een ongeventileerd bereik leidt tot zuurstoftekort in dit bereik.
- Gebruik het toestel niet met gas in niet-geventileerde omgevingen zoals gesloten ruimten, tenten, motorvoertuigen, campers, caravans, schepen, jachten, kofferbakken en vrachtwagencabines.
- Gebruik het toestel niet in ruimten met een volume van minder dan 40 m³.
- Plaats het apparaat niet in de buurt van ontvlambare materialen (papier, droge bladeren, textiel).
- Houd ontvlambare voorwerpen uit de buurt van de brander.
- Bewaar de flessen met vloeibaar gas **nooit** op niet-geventileerde plaatsen of onder grondniveau (trechervormige kuilen in de grond).
- Bescherm flessen met vloeibaar gas tegen directe zonnestrallen. De temperatuur mag niet hoger zijn dan 50 °C.
- Controleer het toestel nooit met open vuur op lekkage.

- Indien u gas ruikt:
 - Sluit de afsluitkraan van de gasvoorzorging en de flesklep.
 - Bedien geen elektrische schakelaars.
 - Blus open vuur.
 - Laat de gasinstallatie door een vakbedrijf controleren.



LET OP! Het niet in acht nemen van deze instructies kan leiden tot beschadiging van het toestel.

Gebruik uitsluitend propaan- of butaangas (geen aardgas).

Beoogd gebruik

Het mobiele koelapparaat is bedoeld voor gebruik in huishoudelijke en soortgelijke toepassingen zoals:

- boerderijen
- personeelskeukens in winkels, kantoren en andere werkomgevingen
- klanten in hotels, motels en andere woonomgevingen
- bed and breakfast-accommodaties
- catering en soortgelijke toepassingen anders dan in de detailhandel

Dit toestel is geschikt voor:

- Koelen en bewaren van voedsel en bewaren van diepvrieswaren
- gebruik op gelijkstroom, wisselstroom of gas

Het toestel is **niet** geschikt voor:

- Toestel als inbouwtoestel gebruiken
- Gebruik in hoge gebouwen, kamers onder de begane grond, badkamers en slaapkamers
- Gebruik in voertuigen
- Gebruik in boten
- Gebruik in ruimten met een volume van minder dan 40 m³, bijv. een ruimte van 4 x 4 m met een hoogte van 2,50 m
- Gebruik in niet goed geventileerde ruimten
Goed geventileerde ruimten zijn ruimten met meer dan één luchtverversing per uur met ramen en deuren die niet naaddicht zijn. De ruimten moeten ten minste één raam hebben dat kan worden geopend of een deur die direct naar buiten leidt
- Opslag van geneesmiddelen.
- Opslag van bijtende of oplosmiddelhoudende substanties

Dit product is alleen geschikt voor het beoogde gebruik en de toepassing in overeenstemming met deze gebruiksaanwijzing.

Deze handleiding geeft informatie die nodig is voor een goede installatie en/of bediening van het toestel. Een slechte installatie en/of onjuist gebruik of onderhoud leidt tot onbevredigende prestaties en mogelijke storingen.

De fabrikant aanvaardt geen aansprakelijkheid voor letsel of schade aan het product die het gevolg is van:

- Onjuiste montage of aansluiting, inclusief te hoge spanning
- Onjuist onderhoud of gebruik van andere dan door de fabrikant geleverde originele reserveonderdelen
- Wijzigingen aan het product zonder uitdrukkelijke toestemming van de fabrikant
- Gebruik voor andere doeleinden dan beschreven in deze handleiding

Dometic behoudt zich het recht voor om het uiterlijk en de specificaties van het product te wijzigen.

Voorbereiden en bedienen

Ga te werk zoals afgebeeld op pagina 5 tot pagina 13:

- Toestel opstellen: afb. **1**
- Toestel op gelijkstroom aansluiten: afb. **2**
- Toestel op wisselstroom aansluiten: afb. **3**
- Toestel op gas aansluiten: afb. **4** – afb. **5**
- 12V-voeding inschakelen: afb. **6**
- 24 V-voeding inschakelen: afb. **7**
- Gastoevoer inschakelen: afb. **8**
- Voedsel plaatsen: afb. **9**
- Toestel uitschakelen: afb. **10**
- Gasfilter vervangen: afb. **11**
- Startaccu vervangen: afb. **12**
- Brander reinigen: afb. **13**

Garantie

De wettelijke garantieperiode is van toepassing. Als het product defect is, neem dan contact op met de detailhandel of met het filiaal van de fabrikant in uw land (zie dometic.com/dealer).

Stuur voor de afhandeling van reparaties of garantie de volgende documenten mee:

- Een kopie van de factuur met datum van aankoop
- De reden voor de claim of een beschrijving van de fout

Houd er rekening mee dat eigenmachtige of niet-professionele reparatie gevolgen voor de veiligheid kan hebben en dat de garantie hierdoor kan komen te vervallen.

Verwijdering



WAARSCHUWING! Gevaar voor insluiting van kinderen

Demonteer bij het afvoeren van het oude toestel alle toesteldeuren, en laat de legplanken in het toestel om te voorkomen dat kinderen erin klimmen en stikken.

Verpakkingsmateriaal recycleren



- ▶ Gooi het verpakkingsmateriaal indien mogelijk altijd in recyclingafvalbakken.

Producten met niet-vervangbare batterijen, oplaadbare batterijen of lichtbronnen recycleren



- ▶ Als het product niet-vervangbare batterijen, oplaadbare batterijen of lichtbronnen bevat, hoeft u die niet te verwijderen voordat u het product afvoert.



- ▶ Als u het product definitief weg wilt doen, vraag dan bij het dichtstbijzijnde afvalverwerkingsbedrijf of uw dealer naar de betreffende afvoerschriften.
- ▶ Het product kan gratis worden afgevoerd.

Læs og følg alle disse anvisninger, retningslinjer og advarsler i denne produktvejledning grundigt for at sikre, at du altid installerer, bruger og vedligeholder produktet korrekt. Disse anvisninger SKAL opbevares sammen med dette produkt.

Ved at benytte produktet bekræfter du hermed, at du har læst alle anvisninger, retningslinjer og advarsler grundigt, og at du forstår og er indforstået med de vilkår og betingelser, der er fastlagt heri. Du er indforstået med kun at bruge dette produkt til det beregnede formål og anvendelse i overensstemmelse med anvisningerne, retningslinjerne og advarslerne i denne produktvejledning samt i overensstemmelse med alle de gældende love og forskrifter. Manglende læsning og ignorerung af disse anvisninger og advarsler kan medføre kvæstelser på dig selv og andre, skade på dit produkt eller skade på anden ejendom i nærheden. Der tages forbehold for eventuelle ændringer og opdateringer af denne produktvejledning samt anvisningerne, retningslinjerne og advarslerne samt den tilhørende dokumentation. Se documents.dometic.com, dometic.com for de nyeste produktinformationer.

Relaterede dokumenter



Du kan finde den detaljerede betjeningsvejledning og oplysninger om de tekniske data online på qr.dometic.com/bf5KY0.

Sikkerhedshenvisninger



ADVARSEL!

Overhold også sikkerhedshenvisningerne på side 3 til side 4.

Grundlæggende sikkerhed



ADVARSEL! Manglende overholdelse af disse advarsler kan medføre dødelige eller alvorlige kvæstelser.

Fare for elektrisk stød

- Hvis apparatet har synlige beskadigelser, må apparatet ikke tages i brug.
- Hvis dette apparats vekselstrømstilslutningskabel er beskadiget, skal det udskiftes af producenten eller dennes kundeservice eller en tilsvarende uddannet person for at forhindre farer.
- Reparationer på dette apparat må kun foretages af fagfolk. Ukorrekte reparationer kan medføre betydelige farer.

Eksplodingsfare

Opbevar ikke eksplosive stoffer som f.eks. spraydåser med en brændbar drivgas i apparatet.

Brandfare

Kølemidlet i kølekredsløbet er letantændeligt. Ved en beskadigelse af kølekredsløbet (ammoniaklugt):

- Sluk apparatet.
- Undgå åben ild og antændelsesgenister.
- Udluft rummet grundigt.

Sundhedsfare

- Åbn aldrig absorptionsaggregatet. Det står under tryk og kan forårsage kvæstelser, når det åbnes.
- Dette apparat kan anvendes af børn over 8 år og personer med reducerede fysiske, sans- eller mentale evner eller uden erfaring eller viden, hvis de er under opsyn eller er blevet instrueret i sikker brug af apparatet og forstår de involverede farer.
- Børn må ikke lege med apparatet.
- Rengøring og vedligeholdelse må ikke udføres af børn uden opsyn.
- Børn i alderen fra 3 til 8 år må fylde og tømme apparaterne.

Risiko for, at børn kan blive lukket inde

- Kontrollér, at hylderne er monteret og sikret korrekt, så børn ikke kan låse sig selv inde i apparatet.
- Før det gamle køleskab bortskaffes:
 - Afrmonter skuffen.
 - Lad hylderne blive i køleskabet, så børn ikke kan gå ind i det.



FORSIGTIG! Manglende overholdelse af disse forsigtighedshenvisninger kan medføre mindre eller moderate kvæstelser.

Fare for kvæstelser

- Grib ikke ind i hængslet.
- Læn dig ikke op ad apparatets dør, når den er åben.



VIGTIGT! Manglende overholdelse af disse anvisninger kan medføre skade på apparatet.

- Lampen kan kun udskiftes af producenten, servicerepræsentanten eller en tilsvarende kvalificeret person for at undgå farer.
- Anvend ikke en højtryksrenser med vand i nærheden af ventilationsgitrene ved rengøringen af køretøjet.

- Montér vinterafdækningerne til ventilationsgitteret (tilbehør), når køretøjet rengøres udefra eller tages ud af drift i længere tid.
- Apparatet er ikke egnet til transport af ætsende materialer eller materialer, der indeholder opløsningsmidler.
- Apparatets isolering indeholder brændbar cyklopentan og kræver specielle bortskaffelsesprocedurer. Aflevér apparatet på genbrugsstationen ved afslutningen af dets levetid.
- Hold altid kondensationsåbningen ren.
- Dyp aldrig apparatet i vand.
- Beskyt apparatet og kablerne mod varme og fugtighed.
- Apparatet må ikke udsættes for regn.
- Tilslut kun apparatet til vekselstrømsstikdåsen med det tilhørende vekselstrømsstikslutningskabel.
- Spørg køretøjsproducenten, om dit køretøjs batteri management lukker apparater ned for at beskytte batteriet.
- Placér apparatets dør og frostboksens dør i vinterpositionen, hvis du ikke vil anvende apparatet i en længere tidsperiode. På den måde undgås det, at der dannes skimmel.

Sikkerhed under anvendelse af apparatet



ADVARSEL! Manglende overholdelse af disse advarsler kan medføre dødelige eller alvorlige kvæstelser.

Fare for elektrisk stød

- Kontrollér før ibrugtagning, at tilførselsledningen og stikket er tørre.
- Afbryd apparatet fra strømforsyningen
 - før hver rengøring og vedligeholdelse
 - efter hver brug

Sundhedsfare

- Kontrollér, om apparatets kølekapacitet svarer til kravene for fødevarerne, som du vil køle.
- Anvend kun apparatet på steder, der er godt ventileret.
- Tilslut altid kun køleapparatet til én energikilde.
- Madvarer må kun opbevares i original emballage eller egnede beholdere.
- Hvis apparatet er åbent i længere tid, kan temperaturen i apparatets rum stige betydeligt.
- Rengør regelmæssigt overflader, som kan komme i kontakt med levnedsmidler og adgang til kloaksystemer.
- Opbevar rå kød og fisk i egnede beholdere i apparatet, så rå kød og fisk ikke kommer i kontakt med eller kan dryppe ned på andre madvarer.
- Hvis apparatet er udsat for en rumtemperatur på under +10 °C i længere tid, kan en ensartet temperatur i frostboksen ikke garanteres. Det kan medføre, at temperaturen i frostboksen stiger, og at de opbevarede varer tør op.
- Hvis apparatet er tomt i længere tid:
 - Sluk apparatet.
 - Sluk for apparatet.
 - Rengør og tør apparatet.
 - Lad døren være åben for at forhindre, at der dannes mug inden i apparatet.



ADVARSEL! Manglende overholdelse af disse advarsler kan medføre dødelige eller alvorlige kvæstelser.

Brandfare

- Kontrollér, at apparatets kredsløb ikke er blevet beskadiget under transporten.
- Når apparatet positioneres, skal det sikres, at strømledningen ikke sidder i klemme eller beskadiges.
- Placér ikke flere bærbare stikdåser eller bærbare strømforsyninger i bagved apparatet.



VIGTIGT! Manglende overholdelse af disse anvisninger kan medføre skade på apparatet.

Risiko for overophedning

- Sørg altid for, at varme, der opstår under driften, kan føres tilstrækkeligt bort. Sørg for, at apparatet har tilstrækkelig afstand til vægge og genstande, så luften kan cirkulere.
- For at kølemidlet kan cirkulere korrekt, må apparatet ikke overskride en hældningsvinkel på 3°. Placér apparatet vandret ved hjælp af et vaterpas.
- Hold kun apparatet fast på køleskabelementet under transporten. Hold aldrig apparatet fast på absorptionsaggregatet, køleribberne, gasledningerne, døren eller betjeningsblænden.
- Stil ikke apparatet i nærheden af åben ild eller andre varmekilder (varmeapparater, stærk sol, gasovne osv.).



FORSIGTIG! Manglende overholdelse af disse forsigtighedshenvisninger kan medføre mindre eller moderate kvæstelser.

Fare for kvæstelser

- Luk og lås apparatets dør, før du begynder rejsen.
- Køleaggregatet på bagsiden af apparatet bliver meget varmt under driften. Beskyt dig mod kontakt med varmførende dele, når ventilationsgitterene er taget ud.



VIGTIGT! Manglende overholdelse af disse anvisninger kan medføre skade på apparatet.

- Kontrollér, at spændingsangivelsen på typeskiltet svarer til den fra energiforsyningen.
- Tilslut kun kølecontaineren på følgende måde:
 - Jævnstrømsstik: Anvend kun kabler med et passende tværsnit.
 - Vekselstrømsstik: Anvend kun det medfølgende vekselstrømskabel.
- Træk aldrig stikket ud af stikdåsen med kablet.
- Hvis apparatet er tilsluttet til et jævnstrømsstik: Vælg kun drift med jævnstrøm (batterifunktion), hvis du anvender en batteriovervågning eller hvis køretøjets generator leverer tilstrækkelig spænding.
- Hvis apparatet er tilsluttet til et jævnstrømsstik: Afbryd apparatet, eller sluk det, når motoren standses. I modsat fald kan køretøjetsbatteriet blive afladet.
- Ventilationsåbningerne må ikke tildækkes.
- Anvend ikke elektriske apparater i apparatet, medmindre producenten anbefaler disse apparater til det.
- Fyld ikke is eller væsker i den indvendige beholder.
- Opbevar udelukkende tunge genstande som f.eks. flasker eller dåser i apparatets dør, i grønt-sagsskuffen eller på den nederste gitterhylde.

Sikker drift med gas



ADVARSEL! Manglende overholdelse af disse advarsler kan medføre dødelige eller alvorlige kvæstelser.

Eksplodingsfare

- Anvend udelukkende apparatet med det tryk, der er angivet på typeskiltet. Anvend kun fast indstillede trykreguleringer, der opfylder de nationale forskrifter. Anvend en fastindstillet trykregulering, der er i overensstemmelse med DIN EN 16129.

Risiko for kvælning

- Anvendelsen af apparatet med gas i et område, der ikke er ventileret, medfører iltmangel i dette område.
- Anvend ikke apparatet med gas i områder, der ikke er ventileret, som f.eks. lukkede rum, telte, motorkøretøjer, autocampere, campingvogne, skibe, yachter, både og lastbilførerrhuse.
- Betjen ikke apparatet i rum med en volumen på mindre end 40 m³.
- Opstil ikke apparatet i nærheden af brændbare materialer (papir, tørt løv, tekstilprodukter).
- Hold brændbare genstande væk brænderen.
- Opbevar **aldrig** F-gasflasker på steder, der ikke er ventileret, eller under gulvniveau (tragtformede fordybninger i jorden).
- Beskyt F-gasflasker mod direkte sollys. Temperaturen må ikke overskride 50 °C.
- Kontrollér aldrig, om apparatet er utæt, med åben flamme.
- Hvis der lugter af gas:
 - Luk gasforsyningens spærrehanen og flaskeventilen.
 - Tryk ikke på en elektrisk kontakt.
 - Sluk åben ild.
 - Lad en fagvirksomhed kontrollere gasanlægget.
- Lad ikke apparatet køre uden opsyn, når det anvender gas.



VIGTIGT! Manglende overholdelse af disse anvisninger kan medføre skade på apparatet.

Anvend udelukkende propan- eller butangas (ikke naturgas).

Korrekt brug

Det transportable køle-/fryseapparat er beregnet til at blive anvendt i husholdningen og lignende anvendelser som:

- Bondegårde
- Personalekøkkener i butikker, kontorer og andre arbejdsomgivelser
- Kunder på hoteller, moteller og andre typer boligomgivelser
- Bed-and-breakfast-pensioner
- Catering og lignende anvendelse inden for non-retail

Apparatet er egnet til:

- Køling og opbevaring af fødevarer og opbevaring af frosne fødevarer
- Drift med jævnstrøm, vekselstrøm eller gas.

Apparatet er **ikke** egnet til:

- Brug som et indbygget apparat
- Brug i højhuse, rum under jordniveau, badeværelser og soveværelser
- Brug i køretøjer
- Brug på både
- Brug i rum med en volumen på mindre end 40 m³, f.eks. rum på 4 x 4 m med en loftshøjde på 2,50 m
- Brug på steder uden god ventilation
Rum med god ventilation er rum med mere end ét luftskifte pr. time med vinduer og døre, der ikke er lufttætte. Værelserne skal have mindst ét vindue, der kan åbnes, eller en dør, der fører direkte udenfor
- Opbevaring af medicin.
- Opbevaring af ætsende stoffer eller stoffer, som indeholder opløsningsmidler

Dette produkt er kun egnet til dets beregnede formål og anvendelse i overensstemmelse med disse anvisninger.

Denne vejledning giver dig oplysninger om, hvad der er nødvendigt med henblik på en korrekt montering og/eller drift af apparatet. Dårlig montering og/eller ukorrekt drift eller vedligeholdelse medfører utilstrækkelig ydeevne og mulige fejl.

Producenten påtager sig intet ansvar for kvæstelser eller skader i forbindelse med produktet, der skyldes:

- ukorrekt samling eller forbindelse inklusive for høj spænding
- ukorrekt vedligeholdelse eller brug af uoriginale reservedele, der ikke stammer fra producenten
- ændringer på produktet uden udtrykkelig tilladelse fra producenten
- brug til andre formål end dem, der er beskrevet i vejledningen.

Dometic forbeholder sig ret til at ændre produktets udseende og produktspecifikationer.

Opstilling og drift

Fortsæt som vist på side 5 til side 13:

- Placering af apparatet: fig. **1**
- Tilslutning af apparatet til jævnstrøm: fig. **2**
- Tilslutning af apparatet til vekselstrøm: fig. **3**
- Tilslutning af apparatet til gas: fig. **4** – fig. **5**
- Tilkobling af strømforsyning 12 V: fig. **6**
- Tilkobling af strømforsyning 24 V: fig. **7**
- Tilkobling af gasforsyning: fig. **8**
- Ilægning af fødevarer: fig. **9**
- Frakobling af apparatet: fig. **10**
- Udskiftning af gasfilteret: fig. **11**
- Udskiftning af tændingsbatteriet: fig. **12**
- Rengøring af brænderen: fig. **13**

Garanti

Den lovbestemte garantiperiode gælder. Hvis produktet er defekt, bedes du kontakte din forhandler eller producentens afdeling i dit land (se dometic.com/dealer).

Ved reparation eller krav om garanti skal du medsende følgende bilag:

- En kopi af regningen med købsdato
- En reklamationsgrund eller en fejlbeskrivelse.

Vær opmærksom på, at egne eller uprofessionelle reparationer kan have sikkerhedsmæssige konsekvenser og kan gøre garantien ugyldig.

Bortskaffelse



ADVARSEL! Risiko for, at børn kan blive lukket inde

Afmonter alle apparatdøre ved bortskaffelse af det gamle apparat, og lad hyldeerne sidde i apparatet for at forhindre, at nogen utilsigtet lukkes inde og kvæles.

Genbrug af emballagemateriale



- ▶ Bortskaf så vidt muligt emballagemateriale sammen med det tilsvarende genbrugsaffald.

Genbrug af produkter med batterier, genopladelige batterier eller lyskilder, der ikke kan udskiftes



- ▶ Hvis produktet indeholder batterier, genopladelige batterier eller lyskilder, der ikke kan udskiftes, skal du ikke fjerne dem før bortskaffelse.



- ▶ Hvis du vil bortskaffe produktet endegyldigt, skal du kontakte den nærmeste genbrugsstation eller din faghandel for at få de pågældende forskrifter om bortskaffelse.
- ▶ Produktet kan bortskaffes uden gebyr.

Läs och följ noggrant alla instruktioner, direktiv och varningar i den här produkthandboken för att säkerställa att du alltid installerar, använder och underhåller produkten på rätt sätt. Dessa instruktioner MÅSTE förvaras tillsammans med produkten.

Genom att använda produkten bekräftar du härmed att du noggrant har läst alla instruktioner, direktiv och varningar och att du förstår och är införstådd med att följa de villkor som anges här. Du är införstådd med att endast använda denna produkt i avsett syfte och i enlighet med instruktionerna, direktiven och varningarna som anges i denna produkthandbok samt i enlighet med alla gällande lagar och bestämmelser. Om du inte läser och följer instruktionerna och varningarna som anges här kan det leda till personskador på dig eller andra, på produkten eller annan egendom i närheten. Denna produkthandbok, inklusive instruktionerna, direktiven och varningarna samt relaterad information, kan ändras och uppdateras. För uppdaterad produktinformation, besök documents.dometic.com, dometic.com.

Tillhörande dokument



På webben hittar du information om den tekniska datan samt den utförliga bruksanvisningen: qr.dometic.com/bf5KY0.

Säkerhetsanvisningar



VARNING!

Beakta även säkerhetsanvisningarna på sida 3 till sida 4.

Allmänna säkerhetsanvisningar



VARNING! Om man underlåter att följa de här varningarna kan följden bli dödsfall eller allvarlig personskada.

Risk för dödsfall på grund av elektricitet

- Om apparaten uppvisar synliga skador får den ej tas i drift.
- Om apparatens anslutningskabel för växelström skadas måste den, av säkerhetsskäl, bytas ut av tillverkaren, tillverkarens kundtjänst eller annan person med motsvarande behörighet.
- Denna apparat får endast repareras av härför utbildad personal. Om man utför reparationer på fel sätt kan man utsättas för avsevärda risker.

Explosionsrisk

Lagra inga ämnen som kan explodera i apparaten, som t.ex. sprayburkar med lättantändlig drivgas.

Brandrisk

Köldmediet i köldmediekretsen är mycket lättantändligt. Om köldmediekretsen skulle skadas (luktka ammoniak):

- Stäng av apparaten.
- Undvik öppen eld och gnistbildning.
- Ventilera rummet noga.

Hälsorisk

- Öppna aldrig absorptionsaggregatet. Det står under högt tryck och kan ge upphov till skador om det öppnas.
- Barn från åtta års ålder, personer med nedsatt fysisk, sensorisk eller mental förmåga, eller personer med bristande erfarenhet och kunskaper får använda den här apparaten förutsatt att de hålls under uppsikt eller om de har fått anvisningar om hur man använder den här apparaten på ett säkert sätt och känner till vilka risker som är förknippade med användningen.
- Barn får inte leka med apparaten.
- Utan uppsikt får barn inte utföra rengörings- eller underhållsarbeten.
- Barn i åldrarna tre till åtta år får lasta in eller ut varor i eller ur apparaterna.

Risk för att barn fastnar

- Kontrollera att hyllorna är monterade och säkrade så att barn inte kan låsa in sig i apparaten.
- Innan det gamla kylskåpet omhändertas:
 - Demontera lådan.
 - Låt hyllorna vara kvar i kylskåpet så att barn inte kan klättra in i skåpet.



AKTA! Om man underlåter att följa de här försiktighetsåtgärderna kan följden bli lindrig eller måttlig personskada.

Risk för personskada

- Håll fingrarna borta från gångjärnen.
- Luta dig inte mot den öppna apparatdörren.



OBSERVERA! Om man underlåter att följa de här anvisningarna kan följden bli att apparaten skadas.

- Lampan får endast bytas ut av tillverkaren, en tjänsteleverantör eller en person med liknande kvalifikationer för att förhindra fara.
- Använd inte högtryckstvätt nära ventilationsgallren.
- Montera vinterkåporna för ventilationsgallret (tillbehör) när fordonet tvättas utifrån eller ställs av en längre tid.

- Apparaten är inte avsedd för transport av frätande material eller material med lösningsmedel.
- Apparaten isolering innehåller brännbart cyklopentan och det krävs särskilda rutiner för avfallshandlingen. När apparaten har uppnått slutet av livscykeln ska den lämnas till lämplig återvinningscentral.
- Se till att kondensöppningen alltid är ren.
- Doppa aldrig ner apparaten i vatten.
- Skydda apparaten och kablarna mot värme och fukt.
- Apparaten får inte utsättas för regn.

- Be fordonstillverkaren specificera vilka enheter som skyddar batteriet om fordonets batteristyrning skulle stängas av.
- Om du inte tänker använda enheten på ett tag ändrar du enhets- och fryssocksdörren till vinterläget. På det här sättet förhindras att det bildas mögel.

Säkerhet vid användning av apparaten



WARNING! Om man underlåter att följa de här varningarna kan följden bli dödsfall eller allvarlig personskada.

Risk för dödsfall på grund av elektricitet

- Kontrollera, innan apparaten tas i drift, att elkablen och stickkontakten är torra.
- Koppla bort apparaten från strömförsörjningen
 - alltid före rengöring eller underhåll
 - alltid efter användning

Hälsorisk

- Kontrollera om apparatens kyleffekt uppfyller kraven för de livsmedel du vill hålla kalla.
- Använd endast apparaten i väl ventilerade utrymmen.
- Använd endast en energikälla åt gången till apparaten.
- Livsmedel får endast förvaras i originalförpackningarna eller i andra lämpliga behållare.
- Om locket hålls öppet under lång tid finns det risk att man får en betydande ökning av temperaturen i apparaten.
- Rengör med jämna mellanrum ytor som kan komma i kontakt med livsmedel och åtkomliga avloppssystem.
- Förvara rått kött och rå fisk i lämpliga behållare i apparaten, så att det inte kommer i kontakt med eller kan droppa på andra livsmedel.
- Om enheten står i ett rum med temperaturer under +10 °C under längre tid går det inte att garantera att temperaturen i frysfacket förblir jämn, vilket kan leda till att temperaturen i frysfacket ökar och att de varor du förvarar i det tinar.
- Om apparaten står tom under lång tid:
 - Stäng av apparaten.
 - Avfropa apparaten.
 - Rengör och torka apparaten.
 - Lämnna dörren öppen för att förhindra att det bildas mögel i apparaten.

Placera och ansluta apparaten på ett säkert sätt



WARNING! Om man underlåter att följa de här varningarna kan följden bli dödsfall eller allvarlig personskada.

Brandrisk

- Se till att inte skada apparatens elkrets vid transport.
- Kontrollera att elsladden inte har fastnat eller skadats i samband med placering av apparaten.
- Placera inte ut flera bärbara uttag eller bärbara nättaggregat bakom apparaten.



OBSERVERA! Om man underlåter att följa de här anvisningarna kan följden bli att apparaten skadas.

Risk för överhettning

- Se till att värmen som alstras under användningen kan avledas ordentligt. Apparaten måste ha tillräckligt stort avstånd till väggen/andra föremål så att luften kan cirkulera fritt.
- För att köldmediet ska kunna cirkulera på ett korrekt sätt får apparaten inte överskrida en lutningsvinkel på 3°. För att göra detta, ställ upp apparaten vågrätt med hjälp av ett vattenpass.
- Håll bara apparaten i själva stommen när den flyttas. Håll aldrig fast apparaten i absorptionsaggregatet, kylflänsarna, gasledningarna, dörren eller kontrollpanelen.
- Ställ inte upp apparaten i närheten av öppen eld eller andra värmekällor (värmeelement, starkt solljus, gasspisar osv.).
- Anslut endast produkten till växelströmsuttaget med tillhörande anslutningskabel för växelström.



AKTA! Om man underlåter att följa de här försiktighetsåtgärderna kan följden bli lindrig eller måttlig personskada.

Risk för personskada

- Stäng och lås apparatens dörr innan körning.
- Kylaggregatet på apparatens baksida blir mycket varmt när det är igång. Skydda dig mot kontakt med heta delar när ventilationsgallren är borttagna.



OBSERVERA! Om man underlåter att följa de här anvisningarna kan följden bli att apparaten skadas.

- Jämför spänningsuppgifterna på typskylten med elförsörjningen på plats.
- Anslut produkten endast på följande vis:
 - Likströmsuttag: Använd endast kablar med lämplig kabelarea.
 - Växelströmsuttag: Använd endast den medföljande växelströmskabeln
- Dra aldrig ut stickkontakten ur uttaget genom att dra i kabeln.
- När apparaten är ansluten till ett likströmsuttag: Låt endast kylskåpet gå med likström (batteri) i kombination med en batterivakt eller när fordonsnets generator levererar tillräckligt med spänning.
- När apparaten är ansluten till ett likströmsuttag: Bryt strömmen till apparaten eller stäng av den när motorn stängs av. Annars kan fordonsbatteriet laddas ur.
- Se till att ventilationsöppningarna inte täcks över.
- Använd inga elektriska produkter för arbeten inne i apparaten. Undantag: produkterna rekommenderas för sådan användning av tillverkaren.
- Fyll inte innerfacket med vätskor eller is.
- Tunga varor som t.ex. flaskor eller burkar ska endast förvaras i apparatens dörr, i grönsaksfacket eller på det nedre gallret.

Använd gas säkert



WARNING! Om man underlåter att följa de här varningarna kan följden bli dödsfall eller allvarlig personskada.

Explosionsrisk

- Apparaten får endast användas med det tryck som anges på typskylten. Använd endast fast inställda tryckregulatorer som uppfyller nationella föreskrifter. Använd en tryckregulator med fast inställning enligt DIN EN 16129.

Kvävningsrisk

- Om apparaten ska användas med gas i ej ventilerade utrymmen leder det till syrebrist i dessa utrymmen.
- Använd inte enheten med gas i oventilerade utrymmen som slutna rum, tält, motorfordon, husbilar, husvagnar, fartyg, båtar, bagageutrymmen och lastbilshytter.
- Använd inte enheten i rum med lägre volym än 40 m³.
- Ställ inte upp apparaten i närheten av antändligt material (papper, torra löv, textilier).
- Håll brännbara föremål borta från brännaren.
- Lagra **aldrig** gasflaskor i ej ventilerade utrymmen eller under markytan (trattformiga hål i marken).
- Se till att gasflaskorna skyddas mot direkt solljus. Temperaturen får inte överskrida 50 °C.
- Använd aldrig öppen låga för att kontrollera om det finns läckage på produkten.
- Om du känner gaslukt:
 - Stäng kranen för gasförsörjning och flaskventilen.
 - Tryck inte på några elektriska strömbrytare.
 - Släck öppna lågor.
 - Låt en specialist undersöka gasanläggningen.
- När apparaten körs i gasläge ska man inte lämna den utan uppsikt.



OBSERVERA! Om man underlåter att följa de här anvisningarna kan följden bli att apparaten skadas.

Använd bara propan- eller butangas (inte naturgas).

Avsedd användning

Den mobil kyl-/frysprodukten är avsedd att användas i hushåll och liknande, som:

- Bondgårdar
- Personalkök i affärer, kontor eller andra arbetsmiljöer
- För gäster på hotell, motell eller andra typer av boenden
- miljöer liknande bed and breakfast
- catering och liknande utan försäljning.

Den här apparaten är avsedd för:

- Kyla och förvara livsmedel samt förvara djupfrysta livsmedel
- Användning med likström, växelström eller gas

Apparaten är **inte** avsedd för:

- Användning som en inbyggd apparat
- Användning i höghus, rum under marknivå samt bad- och sovrum
- Användning i fordon
- Användning i båtar
- Användning i rum med volym som är mindre än 40 m³, som rum som är 4 x 4 m med rumshöjden 2,50 m
- Användning i utrymmen som inte är välventilerade

”Välventilerade utrymmen” är rum med mer än en luftväxling per timme med fönster och dörrar som inte är täta. Rummen måste ha minst ett fönster som kan öppnas eller en dörr som leder direkt ut.

- Förvaring av läkemedel
- Förvaring av frätande ämnen eller ämnen som innehåller lösningsmedel

Den här produkten lämpar sig endast för avsedd användning i enlighet med denna bruksanvisning.

Den här manualen informerar om vad som krävs för att installera och/eller använda apparaten på rätt sätt. Felaktig installation och/eller användning eller felaktigt underhåll kommer leda till att produkten inte fungerar optimalt och riskerar gå sönder.

Tillverkaren åtar sig inget ansvar för personskador eller materiella skador på produkten som uppstår till följd av:

- Felaktig montering eller anslutning, inklusive för hög spänning
- Felaktigt underhåll eller användning av reservdelar som inte är originaldelar från tillverkaren
- Ändringar som utförts utan uttryckligt medgivande från tillverkaren
- Användning för andra ändamål än de som beskrivs i denna bruksanvisning

Dometic förbehåller sig rätten att ändra produktens utseende och specifikationer.

Installation och användning

Gå tillväga enligt bilderna på sida 5 till sida 13.

- Placera apparaten: bild **1**
- Ansluta apparaten till likströmsuttag: bild **2**
- Ansluta apparaten till växelströmsuttag: bild **3**
- Ansluta apparaten till gas: bild **4** – bild **5**
- Slå på strömmen 12 V: bild **6**
- Slå på strömmen 24 V: bild **7**
- Slå på gasförsörjningen: bild **8**
- Placera livsmedel: bild **9**
- Stänga av apparaten: bild **10**
- Byta gasfilter: bild **11**
- Byta tändningsbatteri: bild **12**
- Rengöra brännaren: bild **13**

Garanti

Den lagstadgade garantitiden gäller. Kontakta din återförsäljare eller tillverkarens avdelningskontor i ditt land (se dometic.com/dealer) om produkten är defekt.

Vid reparations- och garantiärenden ska följande dokument skickas med när du returnerar produkten:

- En kopia på fakturan med inköpsdatum
- En reklameringsbeskrivning eller felbeskrivning

Observera att självständiga eller icke professionella reparationer kan påverka säkerheten och leda till att garantin blir ogiltig.

Kassering



WARNING! Risk för att barn fastnar

Demontera alla apparatdörrar när den gamla produkten ska tas om hand för återvinning och lämna hyllorna i produkten så att inte barn kan klättra in och stänga dörren med kvävningsrisk som följd.

Återvinning av förpackningsmaterial



- ▶ Lämna om möjligt förpackningsmaterialet till återvinning.

Återvinning av produkter med icke-utbytbara batterier, laddningsbara batterier eller ljuskällor



- ▶ Om produkten innehåller icke-utbytbara batterier, laddningsbara batterier eller ljuskällor behöver du inte avlägsna dem före kassering.



- ▶ När produkten slutgiltigt tas ur bruk: Informera dig om gällande bestämmelser hos närmaste återvinningscentral eller hos återförsäljaren.
- ▶ Produkten kan kasseras utan avgift.

Vennligst les disse instruksjonene nøye og følg alle anvisninger, retningslinjer og advarsler i denne produktveiledningen for å sikre at du installerer, bruker og vedlikeholder produktet ordentlig til enhver tid. Disse instruksjonene MÅ alltid følge med produktet.

Ved å bruke dette produktet bekrefter du at du har lest alle anvisninger, retningslinjer og advarsler grundig, og at du forstår og samtykker i å overholde vilkårene slik de er presentert her. Du godtar å bruke dette produktet kun til tiltenkt formål og bruksområder, og i samsvar med anvisningene, retningslinjene og advarslene slik de er presentert i denne produktveiledningen, så vel som i samsvar med alle gjeldende lovbestemmelser og forskrifter. Hvis anvisningene og advarslene som er presentert her, ikke blir lest og fulgt, kan det føre til personskader hos deg selv eller andre, skader på produktet eller skader på annen eiendom i nærheten. Denne produktveiledningen med sine anvisninger, retningslinjer og advarsler, samt relatert dokumentasjon, kan være underlagt endringer og oppdateringer. For oppdatert produktinformasjon, se documents.dometic.com, dometic.com.

Relaterte dokumenter



Du finner den detaljerte bruksanvisningen og informasjon om tekniske spesifikasjoner online under qr.dometic.com/bf5KY0.

Sikkerhetsregler



ADVARSEL!

Følg også sikkerhetsinstruksjonene på side 3 til side 4.

Grunnleggende sikkerhet



ADVARSEL! Manglende overholdelse av disse advarslene kan resultere i alvorlige personskader, eventuelt med døden til følge.

Fare for elektrisk støt

- Apparatet må ikke tas i bruk hvis det har synlige skader.
- Hvis vekselstrømskabelen til dette apparatet er skadet, må den for å unngå farer byttes av produsenten eller dennes kundeservice eller en tilsvarende utdannet person for å forhindre at sikkerheten settes i fare.
- Reparasjoner på dette apparatet må kun utføres av kvalifiserte fagfolk. Utilstrekkelige reparasjoner kan medføre betydelige farer.

Eksplisjonsfare

Ikke lagre eksplosjonsfarlige stoffer som f.eks. spraybokser med antennelig drivgass i apparatet.

Brannfare

Kjølemiddelet i kjølemiddelkretsen er lett antennelig. Ved skader på kjølekretsløpet (ammoniakklukt):

- Slå av apparatet.
- Unngå åpen ild og gnister.
- Sørg for god ventilasjon i rommet.

Helsefare

- Absorpsjonsaggregatet må aldri åpnes. Det står under høytrykk og kan forårsake personskader hvis det åpnes.
- Dette apparatet kan brukes av barn fra 8 år og oppover og personer med reduserte fysiske, sensoriske eller mentale evner eller som mangler erfaring og kunnskap, hvis de er under oppsyn eller har fått veiledning i hvordan apparatet brukes på en forsvarlig måte og forstår hvilke farer det innebærer.
- Barn må ikke leke med apparatet.
- Rengjøring og vedlikehold skal ikke utføres av barn uten at de er under oppsyn.
- Barn i alderen 3–8 år får lov til å ta inn og ut av enheter.

Fare for at barn blir innestengt

- Sørg for at hyllene er montert og festet slik at barn ikke kan sperre seg selv inne i enheten.
- Før ditt gamle kjøleskap skal kastes:
 - Demonter skuffen.
 - La hyllene bli værende i kjøleskapet, slik at barn ikke kan gå inn i det.



FORSIKTIG! Manglende overholdelse av disse forsiktighetsvarslene kan resultere i mindre til moderate personskader.

Fare for personskader

- Ikke grip i hengselet.
- Ikke len deg mot den åpne døren.



PASS PÅ! Manglende overholdelse av disse instruksene kan resultere i skader på apparatet.

- Lyspæren kan bare skiftes ut av produsenten, et serviceverksted eller andre kvalifiserte personer for å unngå fare.
- Ikke bruk vannhøytrykksspylere til å rengjøre kjøretøyet i området rundt luftegitteret.
- Monter vinterdekslene til luftegitterne (tilbehør) når kjøretøyet rengjøres utvendig eller tas ut av drift for lengre tid.

- Apparatet er ikke egnet for transport av etsende eller løsemiddelholdige stoffer.
- Isolasjonen av apparatet inneholder antennelig syklopentan og krever spesielle avfallshåndteringsprosedyrer. Lever inn apparatet til en egnet gjenvinningsstasjon etter endt levetid.
- Kondensåpningen må holdes ren til enhver tid.
- Dypp aldri apparatet i vann.
- Beskytt apparatet og kablene mot varme og fuktighet.
- Apparatet må ikke utsettes for regn.
- Sett kjøleskapsdøren og fryseromdøren i vinterposisjon hvis kjøleskapet ikke skal brukes på en god stund. Dermed unngår man muggdannelse.

Sikkerhet ved bruk av apparatet



ADVARSEL! Manglende overholdelse av disse advarslene kan resultere i alvorlige personskader, eventuelt med døden til følge.

Fare for elektrisk støt

- Sikre at strømkabelen og støpselet er tørre før apparatet startes opp.
- Koble apparatet fra strømforsyningen
 - Før rengjøring og vedlikehold
 - Etter hver bruk

Helsefare

- Kontroller at kjøleeffekten i kjøleskapet er egnet for matvarene du ønsker å kjøle.
- Bruk enheten kun på steder med god lufting.
- Bruk boksen alltid med bare én energikilde.
- Næringsmidler må oppbevares i originalforpakning eller i egnede beholdere.
- Det å åpne enheten for en lengre periode kan føre til en vesentlig økning av temperaturen i apparatet.
- Overflater som kan komme i kontakt med matvarer og tilgjengelige deler av dreneringssystemet må rengjøres regelmessig.
- Oppbevar rått kjøtt og fisk i egnede beholdere i enheten, slik at det ikke kommer i kontakt med eller kan dryppe på andre matvarer.
- Hvis apparatet utsettes for en romtemperatur under +10 °C over lengre tid, kan det ikke garanteres en jevn temperatur i fryserommet. Dette kan føre til en temperaturstigning i fryserommet, og de oppbevarte matvarene kan tine.
- Hvis enheten blir værende tom over lengre tid:
 - Slå av apparatet.
 - Avrim apparatet.
 - Rengjør og tørk apparatet.
 - La døren være åpent for å unngå muggdannelse inne i apparatet.

Plassere og tilkoble apparatet sikkert



ADVARSEL! Manglende overholdelse av disse advarslene kan resultere i alvorlige personskader, eventuelt med døden til følge.

Brannfare

- Sørg for at apparatets kretsløp ikke kommer til skade under transporten.
- Ved posisjonering av apparatet må det sørges for at tilførselsledningen ikke sitter fast eller skades.
- Ikke plasser flere mobile strømkontakter eller mobile strømforsyninger bak på apparatet.



PASS PÅ! Manglende overholdelse av disse instruksene kan resultere i skader på apparatet.

Fare for overopphetning

- Påse at varme som oppstår under drift alltid blir tilstrekkelig ventilert bort. Påse at apparatet står langt nok unna vegger eller gjenstander, slik at luften kan sirkulere.
- For at kuldemedlet skal kunne sirkulere korrekt skal apparatet ikke helle mer enn 3°. Plasser apparatet vannrett ved hjelp av et vater.
- Hold bare apparatet i selve kroppen under transport. Hold aldri apparatet på absorpsjonsaggregatet, kjøleribbene, gassledningene, døren eller kontrollpanelet.
- Ikke plasser apparatet i nærheten av åpen ild eller andre varmekilder (radiatorer, direkte sollys, gassovner osv.).
- Bruk bare den tilhørende vekselstrøm-tilkoblingskabelen til å koble apparatet til en vekselstrømsstikkontakt.
- Spør din kjøretøysprodusent om batteriforvaltningen på kjøretøyet slår av enheten for å beskytte batteriet.



FORSIKTIG! Manglende overholdelse av disse forsiktighetsvarslene kan resultere i mindre til moderate personskader.

Fare for personskader

- Lukk og lås apparatets dør før du starter på reisen.
- Kjøleaggregatet på baksiden av apparatet blir svært varmt under drift. Beskytt deg mot kontakt med varmeledende deler når luftegitrene er tatt av.



PASS PÅ! Manglende overholdelse av disse instruksene kan resultere i skader på apparatet.

- Kontroller at spenningsspesifikasjonene på merkeskiltet tilsvarer de for den tilgjengelige strømtilførselen.
- Koble til apparatet på følgende måte:
 - Likestrømskontakt: Bruk kun kabler med passende tverrsnitt.
 - Vekselstrømskontakt: Bruk kun den medfølgende vekselstrømkabelen.
- Trekk aldri ut støpselet fra stikkkontakten etter kabelen.
- Hvis apparatet er koblet til likestrømskontakt: Velg drift med likestrøm (batteridrift) kun når du bruker batterivakt, eller når kjøretøygeneratoren leverer tilstrekkelig spenning.
- Hvis apparatet er koblet til likestrømskontakt: Koble fra forbindelsen eller slå av apparatet når du slår av motoren. Ellers kan kjøretøybatteriet lades ut.
- Pass på at luftenåpningene ikke blir blokkert.
- Ikke bruk elektriske apparater inne i apparatet, med mindre de anbefales av produsenten for formålet.
- Ikke fyll den indre beholderen med is eller væsker.
- Plasser store gjenstander som f.eks. flasker eller bokser utelukkende i apparatets dør, i grønn-sakskuffen eller nedre hylle.

Sikker drift med gass



ADVARSEL! Manglende overholdelse av disse advarslene kan resultere i alvorlige personskader, eventuelt med døden til følge.

Ekspløsjonsfare

- Apparatet må kun drives med trykket som er oppgitt på typeskiltet. Bruk kun fast innstilte trykkregulatorer som oppfyller de nasjonale forskriftene. Bruk en fast innstilt trykkregulator iht. DIN EN 16129.

Kvelningsfare

- Drift av apparatet med gass i et uventilert område fører til surstoffmangel i nevnte område.
- Ikke bruk apparatet med gass i områder som ikke er ventilert, slik som i lukkede rom, telt, biler, bobiler, campingvogner, skip, yachter, båter og førerhus i lastebiler.
- Ikke bruk apparatet i rom som er mindre enn 40 m³.
- Sett ikke apparatet i nærheten av lettantennelige materialer (papir, tørt løv, tekstiler).
- Hold brennbare gjenstander borte fra brennen.
- Oppbevar **aldri** flasker med flytende gass på steder uten lufting eller under bakkenivå (traktformede grøfter).
- Utsett ikke flasker med flytende gass for direkte sollys. Temperaturen må ikke overskride 50 °C.
- Kontroller aldri at apparatet er tett ved hjelp av åpen ild.
- Hvis du merker gasslukt:
 - Lukk sperrekranen på gassforsyningen og flaskeventilen.
 - Ikke bruk elektriske brytere.
 - Slukk all åpen ild.
 - Få gassanlegget sjekket av en fagperson.
- Ikke la apparatet gå uten tilsyn når det går i gassdrift.



PASS PÅ! Manglende overholdelse av disse instruksene kan resultere i skader på apparatet.

Bruk kun propan- eller butangass (ikke naturgass).

Forskriftsmessig bruk

Den mobile kjøleboksen er ment for bruk i husholdningen og lignende anvendelser som for eksempel:

- herregårder
- personalkjøkken i butikker, kontorer og andre arbeidsomgivelser
- hoteller, moteller og andre bomiljøer
- Bed & Breakfast-steder
- catering og lignende virksomheter

Apparatet er egnet for:

- Kjøling og oppbevaring av matvarer, samt oppbevaring av frosne matvarer
- drift med likestrøm, vekselstrøm eller gass

Apparatet er **ikke** egnet for:

- bruk som innebygd enhet
- bruk i høyblokker, rom under bakkenivå, bademom og soverom
- bruk i kjøretøy
- bruk i båter
- bruk i rom som er mindre enn 40 m³, f.eks. en romstørrelse på 4 x 4 m med en høyde på 2,50 m
- bruk på steder med dårlig ventilasjon

Godt ventilerte rom er rom med mer enn én luftutskiftning per time, med vinduer og dører som kan åpnes. Rommene må ha minst ett vindu som kan åpnes, eller en dør som fører direkte ut av bygningen.

- Oppbevaring av legemidler
- Oppbevaring av etsende stoffer eller stoffer som inneholder løsemidler

Dette produktet er kun egnet for det tiltenkte formålet og bruksområdet i samsvar med disse instruksjonene.

Denne håndboken gir informasjon som er nødvendig for en ordentlig installasjon og/eller drift av enheten. Feilaktig installasjon og/eller ukorrekt bruk eller vedlikehold vil resultere i en utilfredsstillende ytelse og mulig svikt.

Produsenten fraskriver seg ethvert ansvar for personskader eller materielle skader på produktet som følge av:

- Ukorrekt montering eller tilkobling, inkludert for høy spenning
- Ukorrekt vedlikehold eller bruk av andre reservedeler enn originale reservedeler levert av produsenten
- Modifisering av produktet uten at det er gitt uttrykkelig godkjenning av produsenten
- Bruk til andre formål enn beskrevet i denne veiledningen

Dometic forbeholder seg rettigheten til å endre produktet ytre og produktspesifikasjoner.

Oppsett og drift

Gå frem som vist på side 5 til side 13:

- Plassering av apparatet: fig. **1**
- Tilkoble apparatet til likestrøm: fig. **2**
- Tilkoble apparatet til vekselstrøm: fig. **3**
- Koble apparatet til gass: fig. **4** – fig. **5**
- Oppkobling av strømforsyning 12 V: fig. **6**
- Oppkobling av strømforsyning 24 V: fig. **7**
- Oppkobling av gassforsyning: fig. **8**
- Plassere matvarer: fig. **9**
- Slå av apparatet: fig. **10**
- Skifte gassfilter: fig. **11**
- Bytte tenningsbatteri: fig. **12**
- Rengjøring av brenneren: fig. **13**

Garanti

Lovmessig garantitid gjelder. Hvis produktet er defekt, ta kontakt med forhandleren eller produsentens filial i landet (se dometic.com/dealer).

Ved henvendelser vedrørende reparasjon eller garanti, må du sende med følgende dokumentasjon:

- Kopi av kvitteringen med kjoepsdato
- Årsak til reklamasjonen eller beskrivelse av feilen

Vær oppmerksom på at reparasjoner som utføres selv, eller som ikke utføres på en profesjonell måte, kan gå ut over sikkerheten og føre til at garantien blir ugyldig.

Avfallshåndtering



ADVARSEL! Fare for at barn blir innestengt

Ved avfallsbehandling av det gamle apparatet må alle dører demonteres og hyllene bli værende igjen i apparatet; dette for å forhindre at barn tilfeldigvis lukkes inne i det og kvales.

Resirkulering av emballasje



- ▶ Lever emballasje til resirkulering så langt det er mulig.

Resirkulering av produkter med ikke-erstattbare batterier, oppladbare batterier eller lyskilder



- ▶ Hvis produkter inneholder ikke-erstattbare batterier, oppladbare batterier eller lyskilder, trenger du ikke fjerne dem før avhending.



- ▶ Hvis du ønsker å avfallsbehandle produktet, må du rådføre deg med nærmeste gjenvinningsstasjon eller din faghandler om hvordan du kan gjøre dette i overensstemmelse med gjeldende deponeringsforskrifter.
- ▶ Produktet kan avhendes gratis.

Lue nämä ohjeet huolellisesti ja noudata kaikkia tämän tuotteen käyttöohjeissa annettuja ohjeita, määräyksiä ja varoituksia. Näin varmistat, että tuotteen asennus, käyttö ja huolto sujuu aina oikein. Näiden ohjeiden TÄYTYÄ jäädä tuotteen yhteyteen.

Käyttämällä tuotetta vahvistat lukeneesi kaikki ohjeet, määräykset ja varoitukset huolellisesti ja että ymmärrät ja hyväksyt tässä annetut ehdot. Sitoudut käyttämään tuotetta ainoastaan sen käyttötarkoitukseen ja ilmoitetuissa käyttökohteissa ja noudattaa tässä tuotteen käyttöohjeissa annettuja ohjeita, määräyksiä ja varoituksia sekä voimassa olevia lakeja ja määräyksiä. Tässä annettujen ohjeiden ja varoitusten lukematta ja noudattamatta jättäminen voi johtaa omaan tai muiden loukkaantumiseen, tuotteen vaurioitumiseen tai muun ympärillä olevan omaisuuden vaurioitumiseen. Tähän tuotteen käyttöohjeeseen, ohjeisiin, määräyksiin ja varoituksiin sekä oheisdokumentteihin voidaan tehdä muutoksia ja niitä voidaan päivittää. Katso ajantasaiset tuotetiedot osoitteesta documents.dometic.com, dometic.com.

Asiaankuuluvat asiakirjat



Yksityiskohtaisen käyttöohjeen ja teknisiä tietoja koskevaa informaatiota löydät internetistä osoitteesta qr.dometic.com/bf5KYO.

Turvallisuusohjeet



VAROITUS!

Noudata myös turvallisuusohjeita, ks. sivulla 3 – sivulla 4.

Perusturvallisuus



VAROITUS! Näiden varoitusten noudattamatta jättäminen voi johtaa kuolemaan tai vakavaan vammaan.

Sähköiskun vaara

- Laitetta ei saa ottaa käyttöön, jos laitteessa on näkyviä vaurioita.
- Jos tämän laitteen vaihtovirtaliitäntäjohto on vaurioitunut, valmistajan, asiakaspalvelun tai vastavasti koulutetun ammattilaisen tulee vaihtaa se vaaratilanteiden välttämiseksi.
- Ainoastaan pätevät ammattilaiset saavat korjata tätä laitetta. Väärin tehdyistä korjauksista voi aiheutua vakavia vaaroja.

Räjähdystvaara

Älä säilytä laitteessa räjähdysalttiita aineita, kuten suihkepurkkeja, jotka sisältävät syttyvää polttoainetta.

Palovaara

Jäähdytyskierron sisältämä kylmäaine on helposti syttyvää. Jos jäähdytyskierto on vahingoittunut (ammoniakin haju):

- Kytke laite pois päältä.
- Ehkäise avotulen ja sytytyskipinöiden esiintyminen.
- Tuuleta tila huolellisesti.

Terveysvaara

- Älä milloinkaan avaa absorptioaggregaattia. Se on korkean paineen alainen ja voi aiheuttaa loukkaantumisia, jos se avataan.
- Tätä laitetta voivat käyttää valvonnan alaisuudessa myös vähintään 8-vuotiaat lapset samoin kuin henkilöt, joiden fyysiset, aistinvaraiset tai henkiset kyvyt ovat rajoittuneet tai joilta puuttuu laitteen käytön vaatima kokemus tai tietämys, mikäli edellä mainittuja henkilöitä on opastettu käyttämään laitetta turvallisesti ja mikäli henkilöt ymmärtävät laitteen käyttöön liittyvät riskit.
- Lapset eivät saa leikkiä laitteella.
- Lapset eivät saa ilman valvontaa puhdistaa laitetta eivätkä ryhtyä käyttäjälle sallittuihin kunnossapitotoihin.
- 3–8-vuotiaat lapset saavat sekä sijoittaa tuotteita laitteeseen että noutaa tuotteita sieltä.

Lasten loukkuun jäämisen vaara

- Varmista, että hyllyt on asennettu ja varmistettu niin, lapset eivät voi lukita itseään laitteen sisälle.
- Ennen kuin hävität vanhan jääkaapin:
 - Irrota laatikko.
 - Jätä hyllyt jääkaappiin, jotta lapset eivät voi kiivetä kaapin sisälle.



HUOMIO! Näiden varoitusten noudattamatta jättäminen voi johtaa vähäiseen tai kohtalaiseen vammaan.

Loukkaantumisvaara

- Älä koske saraan.
- Älä nojaa laitteen avointa ovea vasten.



HUOMAUTUS! Näiden ohjeiden noudattamatta jättäminen saattaa johtaa laitevaurioon.

- Vaaran välttämiseksi lampun voi vaihtaa vain valmistaja, asiakaspalvelu tai henkilö, jolla on vastaava pätevyys.
- Älä koskaan puhdistaa ajoneuvoa tuuletusrilän lähetytyiltä korkeapainepesurilla.

- Asenna tuuletusritilän talvipeitteet (lisävarusteita) paikalleen, jos ajoneuvo puhdistetaan ulkoa tai otetaan pois käytöstä pitkäksi aikaa.
- Laite ei sovellu syövyttävien aineiden tai liuottimia sisältävien aineiden kuljettamiseen.
- Laitteen eristeet sisältävät syttyvää syklopentanaania, joten ne vaativat erityisen hävittämismenettelmän. Kun laite on tullut käyttökäyttönsä päähän, toimita se asianmukaiseen kierrätyspisteeseen.
- Huolehdi siitä, että kondenssiveden aukko pysyy aina puhtaana.
- Älä koskaan upota laitetta veteen.
- Suojaa laite ja johdot kuumuudelta ja kosteudelta.
- Laitetta ei saa asettaa alttiiksi sateelle.

Laitteen turvallinen sijoittaminen ja liittäminen



VAROITUS! Näiden varoitusten noudattamatta jättäminen voi johtaa kuolemaan tai vakavaan vammaan.

Palovaara

- Varmista, että laitteen piiri ei vahingoitu kuljetuksen aikana.
- Varmista, että virtajohto ei juutu kiinni eikä vaurioidu sijoittaessasi laitetta paikalleen.
- Älä sijoita siirrettäviä pistorasialistoja tai siirrettäviä virtalähteitä laitteen taakse.



HUOMAUTUS! Näiden ohjeiden noudattamatta jättäminen saattaa johtaa laitevaurioon.

Ylikuumenemisvaara

- Huolehdi aina siitä, käytössä syntyvä lämpö saadaan johdettua riittävän hyvin pois. Huolehdi siitä, että laite on riittävän etäällä seinistä tai esineistä, jotta ilma pääsee kiertämään.
- Jotta kylmäaine voi kiertää asianmukaisesti, laitteen kallistuskulma ei saa olla suurempi kuin 3°. Aseta laite vaakasuoraan vesivaa'an avulla.
- Pidä kuljetuksen aikana laitteesta kiinni vain laitteen rungosta. Älä koskaan pidä kiinni laitteen absorptioaggregaatista, jäähdytysrivasta, kaasujohdoista, ovesta tai käyttöpaneelistä.
- Älä altista laitetta avotullelle tai muille lämpölähteille (lämmitys, suora auringonpaiste, kaasuuunit jne.).
- Liitä laite vain siihen kuuluvalla vaihtovirtaliitäntäjohdolla vaihtovirtapistorasiaan.

- Kysy ajoneuvosi valmistajalta, kytkeekö ajoneuvosi akkuohjauslaitteet pois päältä akun suojaamiseksi.
- Aseta laitteen ovi ja pakastelokeron ovi talviasentoon, jos tarkoituksenas ei ole käyttää laitetta pitkään aikaan. Näin vältetään homeen muodostuminen.

Laitteen käytöturvallisuus



VAROITUS! Näiden varoitusten noudattamatta jättäminen voi johtaa kuolemaan tai vakavaan vammaan.

Sähköiskun vaara

- Huolehdi ennen laitteen käyttöönottoa siitä, että johto ja pistoke ovat kuivia.
- Irrota laite virtalähteestä
 - ennen puhdistusta tai huoltoa
 - aina käytön jälkeen

Terveysvaara

- Tarkista, vastaako laitteen jäähdytysteho niiden elintarvikkeiden vaatimuksia, joita haluat jäähdyttää.
- Käytä laitetta vain paikassa, jossa ilma pääsee vaihtumaan hyvin.
- Käytä laitetta aina vain yhden energialähteen avulla.
- Elintarvikkeita saa säilyttää vain alkuperäispakkauksissa tai tarkoitukseen sopivissa astioissa.
- Laitteen avaaminen pitkiksi ajoiksi voi nostaa lämpötilaa laitteen lokeroissa merkittävästi.
- Puhdista säännöllisesti pinnat, jotka voivat joutua kosketuksiin elintarvikkeiden ja suojaamattomien viemärijärjestelmän osien kanssa.
- Säilytä raaka liha ja kala laitteessa sopivissa säilytysastioissa, niin että ne eivät ole kosketuksissa muiden elintarvikkeiden kanssa eikä niistä voi tipua mitään muihin elintarvikkeisiin.
- Jos huoneenlämpötila laitteen ympärillä on pitkään alle +10 °C, pakastelokeron lämpötila ei mahdollisesti pysy tasaisena. Tällöin pakastelokeron lämpötila voi kohota ja säilytettävät tuotteet voivat sulaa.
- Jos laite jätetään tyhjäksi pitkäksi ajaksi:
 - Kytke laite pois päältä.
 - Sulata laite.
 - Puhdista ja kuivaa laite.
 - Jätä ovi auki, jotta laitteen sisälle ei pääse muodostumaan homeita.



HUOMIO! Näiden varoitusten noudattamatta jättäminen voi johtaa vähäiseen tai kohtalaiseen vammaan.

Loukkaantumisvaara

- Sulje ja lukitse laitteen ovi ennen liikkeelle lähtemistä.
- Laitteen taustapuolella sijaitseva kylmäkone kuumenee voimakkaasti käytön aikana. Suojaudu kosketukselta lämpöä johtavien osien kanssa kun tuuletusrilät on otettu paikoiltaan.



HUOMAUTUS! Näiden ohjeiden noudattamatta jättäminen saattaa johtaa laitevaurioon.

- Varmista, että tyyppikilven jännitetiedot vastavat käytettävissä olevaa energiansyöttöä.
- Liitä laite vain seuraavalla tavalla:
 - Tasavirtapistorasias: Käytä vain johtoja, joiden poikkipinta-ala on asianmukainen.
 - Vaihtovirtapistorasias: Käytä ainoastaan mukana toimitettua vaihtovirtajohtoa
- Älä koskaan irrota pistoketta pistorasiasista johdosta vetämällä.
- Jos laite on liitetty tasavirtapistorasiasaan: Valitse tasavirtakäyttö (akkukäyttö) ainoastaan, kun käytät akkuvahitia tai ajoneuvon generaattori tuottaa tarpeeksi jännitettä.
- Jos laite on liitetty tasavirtapistorasiasaan: Irrota laitteen liitäntä tai kytke kylmälaite pois päältä, kun sammutat moottorin. Muuten ajoneuvon akku voi purkautua.
- Huolehdi siitä, ettei tuuletusaukkoja peitetä.
- Älä käytä laitteen sisällä sähkölaitteita, ellei valmistaja suosittele näitä laitteita tähän tarkoitukseen.
- Älä laita sisäastiaan jäätä tai nesteitä.
- Sijoita painavat esineet kuten pullot ja tölkit aina laitteen oveen, vihanneskaukaloon tai alimmalle hyllyritilälle.

Turvallinen kaasukäyttö



VAROITUS! Näiden varoitusten noudattamatta jättäminen voi johtaa kuolemaan tai vakavaan vammaan.

Räjähdyksivaara

- Laitetta saa käyttää vain tyyppikilvessä mainitulla paineella. Käytä vain kiinteästi säädettyjä paineensäätimiä, jotka vastaavat kansallisia määräyksiä. Käytä kiinteästi säädettyä paineensäädintä, joka vastaa standardia DIN EN 16129.

Tukehtumisvaara

- Laitteen käyttäminen kaasulla tuulettamattomassa tilassa synnyttää happikadon.
- Älä käytä laitetta kaasulla paikassa, jossa ilma ei pääse vaihtumaan, kuten suljetuissa tiloissa, tellassa, moottoriajoneuvossa, matkailuautossa, asuntovaunussa, laivassa, jahdissa, veneessä tai kuorma-auton hytissä.
- Älä käytä laitetta alle 40 m³:n kokoisissa huoneissa.
- Älä aseta laitetta helposti syttyvien materiaalien lähelle (paperi, kuivat lehdet, tekstiilit).
- Pidä palavat esineet kaukana polttimesta.
- Nestekaasupulloja **ei koskaan** saa säilyttää tuulettamattomissa paikoissa tai maan pinnan alapuolella (suppilomaiset kuopat).
- Suojaa nestekaasupullot suoralta auringonpaisteelta. Lämpötila ei saa ylittää 50 °C:ta.
- Älä koskaan etsi laitteesta vuotoja avoliekin avulla.
- Jos tunnet kaasunhajua:
 - Sulje kaasunsyötön sulkuhana ja pullon venttiili.
 - Älä käytä sähkökytkimiä.
 - Sammuta avoliekit.
 - Tarkastuta kaasulaite ammattiliikkeellä.
- Älä jätä laitetta toimintaan ilman valvontaa, jos käytät sitä kaasulla.



HUOMAUTUS! Näiden ohjeiden noudattamatta jättäminen saattaa johtaa laitevaurioon.

Käytä vain propaani- tai butaanikaasua (ei maakaasua).

Käyttötarkoitus

Siirrettävä kylmäsäilytyslaite on tarkoitettu kotitalo-uskäyttöön ja sen kaltaisiin käyttökohteisiin kuten

- käyttöön maataloilla
- käyttöön henkilökunnan keittiötiloissa kaupoissa, toimistoissa ja muissa työympäristöissä
- asiakaskäyttöön hotelleissa, motelleissa ja muissa majoitusympäristöissä
- Aamiaismajoitustyyppiset ympäristöt
- Pitopalvelu- ja muut ei-jakelukohteet

Laite soveltuu:

- ruoan jäädyttämiseen ja säilyttämiseen sekä pakastetun ruoan säilyttämiseen
- käyttöön tasavirralla, vaihtovirralla tai kaasulla

Laite **ei** sovellu:

- kiinteästi asennettavaksi laitteeksi
- käytettäväksi pilvenpiirtäjissä, kellaritiloissa, kylpyhuoneissa tai makuuhuoneissa
- käytettäväksi ajoneuvoissa
- käytettäväksi veneissä
- käytettäväksi alle 40 m³:n kokoisissa huoneissa, esim. huoneessa, jonka koko on 4 x 4 m ja korkeus on 2,50 m
- käytettäväksi alueilla, joissa on huono ilmanvaihto

Huoneissa on hyvä ilmanvaihto, jos ilma vaihtuu useammin kuin kerran tunnissa ja ikkunat ja ovet eivät ole tiiviitä. Huoneissa on oltava vähintään yksi avattava ikkuna tai ulko-ovi

- lääkkeiden säilyttämiseen.
- syövyttävien aineiden tai liuottimia sisältävien aineiden säilyttämiseen

Tämä tuote soveltuu ainoastaan näissä ohjeissa ilmoitettuun käyttötarkoitukseen ja käyttökohteeseen.

Näistä ohjeista saat laitteen asianmukaiseen asennukseen ja/tai käyttöön tarvittavat tiedot. Väärin tehdyn asennuksen ja/tai väärän käyttötavan tai vääränlaisen huollon seurauksena laite ei toimi tyydyttävästi, ja se saattaa mennä epäkuuntoon.

Valmistaja ei ota vastuuta tapaturmista tai tuotevaurioista, jotka johtuvat seuraavista:

- Väärin tehty asennus tai liitäntä, ylijännite mukaan lukien
- Väärin tehty huolto tai muiden kuin valmistajalta saatavien alkuperäisten varaosien käyttö
- Tuotteeseen ilman valmistajan nimenomaista lupaa tehdyt muutokset
- Käyttö muuhun kuin tässä ohjeessa ilmoitettuun tarkoitukseen

Dometic pidättää itsellään oikeuden muutoksiin tuotteen ulkonäössä ja spesifikaatioissa.

Pystytys ja käyttö

Toimi kuvien sivulla 5 – sivulla 13 mukaisesti:

- Laitteen sijoittaminen: kuva **1**
- Laitteen liittäminen tasavirtaan: kuva **2**
- Laitteen liittäminen vaihtovirtaan: kuva **3**
- Laitteen liittäminen kaasuun: kuva **4** – kuva **5**
- 12 V -syötön päälle kytkeminen: kuva **6**
- 24 V -syötön päälle kytkeminen: kuva **7**
- Kaasunsyötön päälle kytkeminen: kuva **8**
- Ruoka-aineiden sijoittaminen: kuva **9**
- Laitteen kytkeminen pois päältä: kuva **10**
- Kaasusuodattimen vaihtaminen: kuva **11**
- Sytytyspariston vaihtaminen: kuva **12**
- Polttimen puhdistaminen: kuva **13**

Takuu

Tuotetta koskee lakisääteinen tuotevastuu-aika. Jos tuote on viallinen, ota yhteyttä jälleenmyyjään tai valmistajan toimipisteeseen omassa maassasi (ks. dometic.com/dealer).

Jos lähetät tuotteen korjattavaksi, liitä korjaus- ja takuukäsittelyä varten mukaan seuraavat asiakirjat:

- Kopio kuitista, jossa näkyy ostopäivä
- Valitusperuste tai vikakuvaus

Huomaa, että itse tai väärin tehty korjaus voi vaarantaa turvallisuuden ja johtaa takuun raukeamiseen.

Hävittäminen



VAROITUS! Lasten loukkuun jäämisen vaara

Kun hävität vanhan laitteen, irrota kaikki ovet ja jätä hyllyt paikoilleen, jotta lapset eivät voi jäädä loukkuun laitteen sisään ja tukehtua.

Pakkausmateriaalin kierrätys



- Vie pakkausmateriaalit mahdollisuuksien mukaan niille tarkoitettuihin kierrätysjäte-astioihin.

Kiinteästi asennettuja akkuja, ladattavia akkuparistoja ja valonlähteitä sisältävien tuotteiden kierrätys



- Jos tuotteessa on kiinteästi asennettuja akkuja, ladattavia akkuparistoja tai valonlähteitä, niitä ei tarvitse poistaa ennen tuotteen hävittämistä.



- Jos haluat poistaa tuotteen lopullisesti käytöstä, tiedustele yksityiskohtaisia hävittämistä koskevia ohjeita ja määräyksiä lähimmästä kierrätyskeskuksesta tai erikoisliikkeestä.
- Tuotteen voi hävittää veloituksetta.

Prosimy o uważne przeczytanie niniejszej instrukcji i przestrzeganie wszystkich zawartych w niej instrukcji postępowania, wskazówek i ostrzeżeń. Pozwoli to zapewnić, że produkt będzie zawsze prawidłowo instalowany, wykorzystywany i konserwowany. Niniejsza instrukcja MUSI przez cały czas pozostawać przy produkcie.

Korzystając z produktu, użytkownik potwierdza uważne przeczytanie wszelkich instrukcji, wskazówek i ostrzeżeń, ich zrozumienie oraz zobowiązuje się przestrzegać zawartych w nich warunków. Użytkownik zobowiązuje się wykorzystywać niniejszy produkt wyłącznie zgodnie z jego przeznaczeniem i zamierzonym zastosowaniem oraz z instrukcjami, wskazówkami i ostrzeżeniami wyszczególnionymi w niniejszej instrukcji produktu, jak również ze wszystkimi mającymi zastosowanie przepisami i regulacjami prawnymi. Nieprzestrzeganie zawartych tu instrukcji i ostrzeżeń może skutkować obrażeniami u użytkownika oraz osób trzecich, uszkodzeniem produktu lub też uszkodzeniem mienia w sąsiedztwie produktu. Zastrzega się możliwość wprowadzania zmian i aktualizacji niniejszej instrukcji produktu, wraz z instrukcjami, wskazówkami i ostrzeżeniami oraz powiązaną dokumentacją. Aktualne informacje dotyczące produktu można zawsze znaleźć na stronie documents.dometic.com, dometic.com.

Powiązana dokumentacja



Szczegółową instrukcję obsługi oraz informacje na temat danych technicznych można znaleźć w internecie pod adresem qr.dometic.com/bf5KY0.

Wskazówki bezpieczeństwa



OSTRZEŻENIE!

Przestrzegać również wskazówek bezpieczeństwa – patrz strona 3 do strona 4.

Podstawowe zasady bezpieczeństwa



OSTRZEŻENIE! Nieprzestrzeganie tych ostrzeżeń może prowadzić do śmierci lub ciężkich obrażeń.

Ryzyko porażenia prądem

- Nie używać urządzenia, jeśli ma ono widoczne uszkodzenia.
- Jeśli przewód prądu przemiennego urządzenia ulegnie uszkodzeniu, aby uniknąć zagrożenia, musi zostać on wymieniony przez producenta, jego serwis lub odpowiednio wykwalifikowaną osobę.
- Napraw mogą dokonywać tylko odpowiednio wykwalifikowane osoby. Nieodpowiednio wykonane naprawy mogą być przyczyną znacznych zagrożeń.

Ryzyko wybuchu

W urządzeniu nie wolno przechowywać substancji wybuchowych, np. sprayów z palnym gazem wyłuszczającym.

Ryzyko pożaru

Czynnik chłodniczy w obiegu chłodniczym jest wysoce łatwopalny. W razie jakiegokolwiek uszkodzenia obiegu chłodniczego (zapachu amoniaku):

- Wyłączyć urządzenie.
- Unikać otwartego ognia i iskier.
- Dobrze przewietrzyć pomieszczenie.

Zagrożenie zdrowia

- Nigdy nie należy otwierać agregatu absorpcyjnego. Ponieważ znajduje się on pod wysokim ciśnieniem, w przypadku otwarcia może spowodować obrażenia.
- Dzieci od 8 lat i osoby o ograniczonych możliwościach fizycznych, sensorycznych lub intelektualnych oraz osoby niedysponujące stosowną wiedzą i doświadczeniem mogą używać tego urządzenia jedynie pod nadzorem innej osoby bądź pod warunkiem uzyskania informacji dotyczących bezpiecznego użytkowania urządzenia i zrozumienia wynikających z tego zagrożeń.
- Dzieci nie mogą bawić się urządzeniem.
- Dzieci nie mogą czyścić i konserwować urządzenia bez nadzoru.
- Dzieci od 3 do 8 lat mogą umieszczać produkty w urządzeniach i wyjmować je z nich.

Ryzyko zamknięcia się dziecka w urządzeniu

- Upewnić się, że półki są zamontowane i zamocowane, aby wykluczyć ryzyko uwięzienia dziecka wewnątrz urządzenia.
- Przed utylizacją starego urządzenia chłodniczego:
 - Zdemontować szufladę.
 - Pozostawić półki w lodówce w taki sposób, aby dzieci nie mogły się po nich wspinać.



OSTROŻNIE! Nieprzestrzeganie tych uwag może prowadzić do lekkich lub umiarkowanych obrażeń.

Ryzyko obrażeń

- Nie dotykać zawiasu.
- Nie opierać się na otwartych drzwiach urządzenia.



UWAGA! Nieprzestrzeganie tych instrukcji może prowadzić do uszkodzenia urządzenia.

- Aby uniknąć niebezpieczeństwa, wymianę lampki zlecać wyłącznie producentowi, w centrum serwisowym lub odpowiednio wykwalifikowanej osobie.

- Podczas czyszczenia pojazdu nie należy stosować myjki wysokociśnieniowej w pobliżu kratki wentylacyjnej.
- Pokrywy zimowe na kratce wentylacyjnej (akcesoria) należy montować również na czas czyszczenia pojazdu z zewnątrz lub w przypadku niekorzystania z urządzenia przez dłuższy czas.
- Urządzenie nie nadaje się do transportu substancji żrących lub zawierających rozpuszczalniki.
- Izolacja tego urządzenia zawiera palny cyklopentan, przez co wymaga ono specjalnej procedury utylizacyjnej. Po zaprzestaniu jego dalszej eksploatacji urządzenie należy dostarczyć do specjalistycznego zakładu utylizacyjnego.
- Należy stale utrzymywać czystość otworu odpływowego skroplin.
- Nigdy nie zanurzać urządzenia w wodzie.
- Chronić urządzenie i jego kable przed wysokimi temperaturami i wilgocią.
- Urządzenia nie wolno narażać na działanie deszczu.

Bezpieczne ustawianie i podłączanie urządzenia



OSTRZEŻENIE! Nieprzestrzeganie tych ostrzeżeń może prowadzić do śmierci lub ciężkich obrażeń.

Ryzyko pożaru

- Podczas transportowania uważać, aby nie uszkodzić obiegu czynnika chłodniczego urządzenia.
- Podczas ustawiania urządzenia należy uważać, aby nie przygnieść ani nie uszkodzić przewodu zasilającego.
- Nie umieszczać z tyłu urządzenia rozgałęziaczy ani zasilaczy.



UWAGA! Nieprzestrzeganie tych instrukcji może prowadzić do uszkodzenia urządzenia.

Ryzyko przegrzania

- Należy pamiętać, że ciepło powstające podczas eksploatacji musi być odpowiednio odprowadzane. Dbać o odpowiednią odległość urządzenia od ścian lub przedmiotów, zapewniając wystarczającą cyrkulację powietrza.
- Aby czynnik chłodniczy mógł prawidłowo krążyć w układzie, kąt nachylenia urządzenia nie może przekraczać 3°. Urządzenie należy wypoziomować przy użyciu poziomicy.

- Podczas transportu urządzenie chwytać tylko za korpus. Nigdy nie chwytać urządzenia za agregat absorpcyjny, żebra chłodzące, przewody gazu, drzwi lub panel obsługi.
- Nie ustawiać urządzenia w pobliżu otwartego ognia ani innych źródeł ciepła (ogrzewanie, bezpośrednie promieniowanie słoneczne, piece gazowe itp.).
- Urządzenie podłączać do sieci prądu przemianowego wyłącznie za pomocą odpowiedniego przewodu przyłączeniowego.
- Zapytać producenta pojazdu, czy układ zarządzania akumulatorem pojazdu wyłącza urządzenie w celu ochrony akumulatora.
- Jeśli urządzenie nie będzie używane przez dłuższy czas, drzwi urządzenia i zamrażalnika należy umieścić w pozycji zimowej. W ten sposób można zapobiec powstawaniu pleśni.

Bezpieczeństwo podczas eksploatacji urządzenia



OSTRZEŻENIE! Nieprzestrzeganie tych ostrzeżeń może prowadzić do śmierci lub ciężkich obrażeń.

Ryzyko porażenia prądem

- Przed uruchomieniem urządzenia należy sprawdzić, czy przewód zasilający i wtyczka są suche.
- Odłączyć urządzenie od zasilania
 - za każdym razem przed czyszczeniem i konserwacją,
 - po każdym użyciu.

Zagrożenie zdrowia

- Sprawdzić, czy wydajność chłodzenia urządzenia jest odpowiednia do przechowywania produktów spożywczych, które mają być w nim umieszczone.
- Urządzenie wykorzystywać tylko w dobrze wentylowanych przestrzeniach.
- Urządzenie należy zasilac tylko z jednego źródła energii na raz.
- Artykuły spożywcze mogą być przechowywane tylko w oryginalnych opakowaniach lub w odpowiednich pojemnikach.
- Pozostawianie urządzenia otwartego przez dłuższy czas może spowodować znaczny wzrost temperatury w jego komorach.
- Regularnie czyścić powierzchnie, które mogą mieć kontakt z żywnością i dostępnymi układami odprowadzania wody.

- Surowe mięso i ryby należy przechowywać w odpowiednich pojemnikach, tak aby nie miały one kontaktu z innymi produktami żywnościowymi ani nie kapały na nie.
- Gdy temperatura w pomieszczeniu, w którym znajduje się urządzenie, przez dłuższy czas wynosi poniżej +10°C, nie można zapewnić równomiernej regulacji temperatury w zamrażalniku. Może to doprowadzić do wzrostu temperatury w zamrażalniku oraz do rozmrożenia przechowywanych w nim produktów.
- Jeśli urządzenie pozostaje puste przez długi czas:
 - Wyłączyć urządzenie.
 - Odmrozić urządzenie.
 - Oczyszczyć i osuszyć urządzenie.
 - Pozostawić otwarte drzwi, aby w urządzeniu nie rozwijała się pleśń.
- Jeśli urządzenie jest podłączone do gniazda prądu stałego: Podczas wyłączenia silnika odłączać lub wyłączać urządzenie. W przeciwnym razie akumulator pojazdu może się rozładować.
- Uważać, aby nie zakrywać otworów wentylacyjnych.
- Wewnątrz urządzenia nie można używać żadnych urządzeń elektrycznych, za wyjątkiem urządzeń zalecanych przez producenta.
- Nie wypełniać wewnętrznego pojemnika cieczami lub lodem.
- Ciężkie przedmioty, takie jak butelki czy puszki, należy umieszczać wyłącznie w drzwiach urządzenia, w pojemniku na warzywa lub na dolnej półce.



OSTROŻNIE! Nieprzestrzeganie tych uwag może prowadzić do lekkich lub umiarkowanych obrażeń.

Ryzyko obrażeń

- Przed rozpoczęciem jazdy zamknąć i zablokować drzwi urządzenia.
- Znajdujący się z tyłu urządzenia agregat chłodniczy nagrzewa się podczas pracy do wysokiej temperatury. Po ściągnięciu kratki wentylacyjnej unikać kontaktu z częściami przewodzącymi wysoką temperaturę.



UWAGA! Nieprzestrzeganie tych instrukcji może prowadzić do uszkodzenia urządzenia.

- Należy porównać dane dotyczące napięcia na tabliczce znamionowej z dostępnym źródłem zasilania.
- Urządzenie można podłączać tylko:
 - Gniazdo prądu stałego: Należy stosować wyłącznie kable o odpowiednim przekroju.
 - Gniazdo prądu przemiennego: Należy używać wyłącznie dostarczonego kabla zasilania prądem przemiennym.
- Wtyczki nie wolno nigdy wyciągać z gniazda, ciągnąc za przewód.
- Jeśli urządzenie jest podłączone do gniazda prądu stałego: Zasilanie prądem stałym (zasilanie z akumulatora) należy wybierać tylko wówczas, jeśli korzystają Państwo z czujnika akumulatora lub jeśli generator pojazdu zapewnia wystarczające napięcie.



OSTRZEŻENIE! Nieprzestrzeganie tych ostrzeżeń może prowadzić do śmierci lub ciężkich obrażeń.

Ryzyko wybuchu

- Urządzenie może być zasilane wyłącznie gazem pod ciśnieniem podanym na tabliczce znamionowej. Stosować tylko ustawione na stałe reduktory, zgodne z krajowymi przepisami. Zastosować ustawiony na stałe reduktor zgodny z normą DIN EN 16129.

Ryzyko uduszenia

- Używanie urządzenia zasilanego gazem w niewentylowanym obszarze prowadzi do redukcji ilości tlenu na danym obszarze.
- Nie używać urządzenia z zasilaniem gazowym w obszarach bez wentylacji, takich jak zamknięte pomieszczenia, namioty, pojazdy, kampery, przyczepy kempingowe, statki, jachty, łodzie i kabiny pojazdów ciężarowych.
- Nie używać urządzenia w pomieszczeniach o objętości mniejszej niż 40 m³.
- Nie stawiać urządzenia w pobliżu palnych materiałów (papier, suche liście, tekstylia).
- Łatwopalne przedmioty trzymać z dala od palnika.
- **Nigdy** nie przechowywać butli z gazem płynnym w niewentylowanych miejscach lub pod poziomem podłoża (w stożkowych zagłębieniach).
- Butle z gazem płynnym należy chronić przed bezpośrednim światłem słonecznym. Temperatura nie może przekraczać 50°C.

- Nigdy nie sprawdzać szczelności urządzenia, korzystając z otwartego ognia.
- W przypadku pojawienia się zapachu gazu należy postępować zgodnie z poniższymi wskazówkami:
 - Zamknąć zawór odcinający zasilanie gazem oraz zawór butli.
 - Nie naciskać żadnych przełączników elektrycznych.
 - Zgasić wszystkie otwarte źródła ognia.
 - Zlecić kontrolę instalacji gazowej specjalistycznej firmie.
- Nie pozostawiać urządzenia pracującego w trybie gazowym bez nadzoru.



UWAGA! Nieprzestrzeganie tych instrukcji może prowadzić do uszkodzenia urządzenia.

Korzystać tylko z propanu lub butanu (nie korzystać z gazu ziemnego).

Użytkowanie zgodne z przeznaczeniem

Przenośne urządzenie chłodnicze jest przeznaczone do użytku domowego i podobnych zastosowań, w obszarach takich jak:

- W gospodarstwach rolnych
- W kuchniach dla personelu w sklepach, biurach i innych miejscach pracy
- Do użytku przez gości w hotelach, motelach i innych rodzajach zakwaterowania
- W pensjonatach i na kwaterach prywatnych
- W cateringu i podobnych zastosowaniach niedetalicznych

Urządzenie nadaje się do:

- Chłodzenia i przechowywania żywności oraz przechowywania mrożonej żywności
- Zasilania prądem stałym, prądem przemiennym lub gazem

Urządzenie **nie** nadaje się do:

- Zastosowania jako urządzenie do zabudowy
- Zastosowania w budynkach wielopiętrowych, pomieszczeniach pod poziomem podłoża, łazienkach i sypialniach
- Zastosowania w pojazdach

- Zastosowania na łodziach
- Zastosowania w pomieszczeniach o objętości mniejszej niż 40 m³, np. o wymiarach 4 x 4 m przy wysokości 2,50 m
- Zastosowania w niewentylowanych obszarach
Obszary z dobrą wentylacją to pomieszczenia z więcej niż jedną wymianą powietrza na godzinę, w których okna i drzwi nie są całkowicie szczelne. Pomieszczenia muszą mieć co najmniej jedno okno, które można otworzyć, bądź drzwi prowadzące bezpośrednio na zewnątrz
- Przechowywania leków
- Przechowywania substancji żrących lub zawierających rozpuszczalniki

Niniejszy produkt jest przystosowany wyłącznie do wykorzystywania zgodnie z jego przeznaczeniem oraz zamierzonym zastosowaniem według niniejszej instrukcji.

Niniejsza instrukcja zawiera informacje, które są niezbędne do prawidłowego montażu i/lub obsługi urządzenia. Nieprawidłowy montaż i/lub niewłaściwa obsługa lub konserwacja powodują niezadowolające działanie i mogą prowadzić do uszkodzeń.

Producent nie ponosi żadnej odpowiedzialności za ewentualne obrażenia lub uszkodzenia produktu wynikłe z następujących przyczyn:

- Nieprawidłowy montaż lub podłączenie, w tym zbyt wysokie napięcie
- Niewłaściwa konserwacja lub użycie innych części zamiennych niż oryginalne części zamienne dostarczone przez producenta
- Wprowadzanie zmian w produkcie bez wyraźnej zgody producenta
- Użytkowanie w celach innych niż opisane w niniejszej instrukcji obsługi

Firma Dometic zastrzega sobie prawo do zmiany wyglądu i specyfikacji produktu.

Ustawianie i obsługa

Postępować w sposób zilustrowany na strona 5 do strona 13:

- Ustawianie urządzenia: rys. **1**
- Podłączanie urządzenia do zasilania prądem stałym: rys. **2**
- Podłączanie urządzenia do zasilania prądem przemiennym: rys. **3**
- Podłączanie urządzenia do zasilania gazem: rys. **4** – rys. **5**
- Włączanie z zasilaniem 12 V: rys. **6**
- Włączanie z zasilaniem 24 V: rys. **7**
- Włączanie z zasilaniem gazem: rys. **8**
- Umieszczanie żywności: rys. **9**
- Wyłączanie urządzenia: rys. **10**
- Wymiana filtra gazu: rys. **11**
- Wymiana baterii zapłonu: rys. **12**
- Czyszczenie palnika: rys. **13**

Gwarancja

Obowiązuje ustawowy okres gwarancji. W przypadku stwierdzenia uszkodzenia produktu należy skontaktować się z jego sprzedawcą lub z oddziałem producenta w danym kraju (patrz dometic.com/dealer).

W celu naprawy lub realizacji gwarancji konieczne jest przesłanie wraz z produktem następujących dokumentów:

- Kopii rachunku z datą zakupu
- Informacji o przyczynie reklamacji lub opisu wady

Uwaga: Samodzielne lub nieprofesjonalne wykonywanie napraw może powodować zagrożenia oraz doprowadzić do utraty gwarancji.

Utylizacja



OSTRZEŻENIE! Ryzyko zamknięcia się dziecka w urządzeniu

Podczas utylizacji starego urządzenia zdemontować wszystkie drzwie i pozostawić w nim półki, aby dzieci nie mogły do niego wejść i udusić się w wyniku przypadkowego zamknięcia urządzenia.

Recykling materiałów opakowaniowych



- ▶ Opakowanie należy wyrzucić do odpowiedniego pojemnika na odpady do recyklingu.

Recykling produktów z niewymiennymi bateriami, akumulatorami lub źródłami światła



- ▶ Jeśli produkt zawiera niewymienne baterie, akumulatory lub źródła światła, nie trzeba ich usuwać przed utylizacją.



- ▶ Jeśli produkt nie będzie już dalej wykorzystywany, należy dowiedzieć się w najbliższym zakładzie recyklingu lub od specjalistycznego przedstawiciela producenta, w jaki sposób można zutylizować produkt zgodnie z obowiązującymi przepisami.
- ▶ Produkt można zutylizować nieodpłatnie.

Dôkladne si prečítajte tento návod a dodržiavajte všetky pokyny, usmernenia a varovania uvedené v tomto návode k výrobku, aby sa zaručilo, že výrobok sa vždy bude správne inštalovať, používať a udržiavať. Tento návod **MUSÍ** zostať priložený k výrobku.

Používaním tohto výrobku týmto potvrdzujete, že ste si dôkladne prečítali všetky pokyny, usmernenia a varovania a že rozumiete a súhlasíte s dodržiavaním všetkých uvedených podmienok. Súhlasíte, že tento výrobok budete používať len v súlade so zamýšľaným použitím a v súlade s pokynmi, usmerneniami a varovaniami uvedenými v tomto návode k výrobku, ako aj v súlade so všetkými platnými zákonmi a nariadeniami. V prípade, že si neprečítate a nebudete sa riadiť pokynmi a varovaniami uvedenými v tomto návode, môže mať za následok vaše poranenie alebo poranenie iných osôb, poškodenie vášho výrobku alebo poškodenie majetku v jeho blízkosti. Tento návod k výrobku vrátane pokynov, usmernení a varovaní, a súvisiaca dokumentácia môže podliehať zmenám a aktualizáciám. Najaktuálnejšie informácie o výrobku nájdete na adrese documents.dometic.com, dometic.com.

Súvisiace dokumenty



Podrobný návod na obsluhu a informácie o technických údajov nájdete online na adrese qr.dometic.com/bf5KY0.

Bezpečnostné pokyny



VÝSTRAHA!

Dodržiujte tiež bezpečnostné pokyny na strane strane 3 až strane 4.

Základy bezpečnosti



VÝSTRAHA! Nedodržanie týchto varovaní môže mať za následok smrť alebo vážne poranenie.

Nebezpečenstvo úrazu elektrickým prúdom

- Keď zariadenie vykazuje viditeľné poškodenia, nesmiete ho uvádzať do prevádzky.
- Keď je pripájací kábel na striedavý prúd tohto zariadenia poškodený, musí jeho výmenu vykonať výrobca alebo jeho služby zákazníkom alebo podobne spôsobilá osoba, aby sa zabránilo vzniku nebezpečenstva.
- Opravy na tomto zariadení smie vykonávať len spôsobilý personál. Nesprávne opravy môžu zapríčiniť vážne riziká.

Nebezpečenstvo výbuchu

V zariadení neskladujte látky, u ktorých hrozí nebezpečenstvo výbuchu napr. sprejové nádoby s horľavým hnacím plynom.

Nebezpečenstvo požiaru

Chladiaci prostriedok v chladiacom okruhu je vysoko horľavý. V prípade poškodenia chladiaceho okruhu (zápach amoniaku):

- Vypnite zariadenie.
- Nepoužívajte otvorený oheň a zabráňte vzniku iskier.
- Dobre vyvetrajte priestor.

Nebezpečenstvo ohrozenia zdravia

- Nikdy neotvárajte absorpčný agregát. Je pod vysokým tlakom a v prípade jeho otvorenia môže spôsobiť poranenia.
- Toto zariadenie smú používať deti od 8 rokov a osoby so zníženými psychickými, zmyslovými alebo mentálnymi schopnosťami a vedomosťami, keď sú pod dozorom alebo keď boli poučené o bezpečnom používaní zariadenia a chápu, aké riziká z toho vyplývajú.
- Deti sa nesmú hrať so zariadením.
- Čistenie a bežnú údržbu nesmú vykonávať deti bez dozoru.
- Deti vo veku od 3 do 8 rokov smú vkladať potraviny do zariadení a tiež ich z nich vyberať.


Riziko uväznenia dieťaťa

- Postarajte sa, aby police boli namontované a zaistené, takže deti sa nebudú môcť zavrieť v zariadení.
- Pred likvidáciou vašej starej chladničky:
 - Demontujte zásuvky.
 - Nechajte zásuvky v chladničke, aby deti nemohli vojsť dnu.



UPOZORNENIE! Nedodržanie týchto upozornení môže mať za následok ľahké alebo stredne ťažké poranenie.

Nebezpečenstvo poranenia

- Nesiahajte do závesu.
 - Neopierajte sa o otvorené dvere zariadenia.
-  **POZOR! Nedodržanie týchto pokynov môže mať za následok poškodenie zariadenia.**
- Kontrolku smie vymeniť len výrobca, servisný technik alebo osoba s podobnou kvalifikáciou, aby sa zabránilo nebezpečenstvu.
 - Pri čistení vozidla nepoužívajte v priestore vetracej mriežky žiadny vysokotlakový vodný čistič.
 - Zimné kryty vetracej mriežky (príslušenstvo) namontujte, keď budete vozidlo umývať zvonku alebo na dlhší čas ho vyradíte z prevádzky.

- Zariadenie nie je vhodné na prepravu žieravých látok alebo látok s obsahom rozpúšťadiel.
- Izolácia zariadenia obsahuje horľavý cyklopentán a vyžaduje si špeciálne postupy pri likvidácii. Po uplynutí jeho životnosti odovzdajte zariadenie na príslušnom recyklačnom stredisku.
- Otvor na odtok kondenzátu vždy udržiavajte čistý.
- Zariadenie nikdy neponárajte do vody.
- Chráňte zariadenie a káble pred vysokými teplotami a vlhkosťou.
- Zariadenie nevystavujte dažďu.
- Zariadenie pripojte pomocou príslušného pripájacieho kábla na striedavý prúd k zásuvke striedavého prúdu.
- Informujte sa u výrobcu vášho vozidla, či správa batérie vozidla vypne zariadenia za účelom ochrany batérie.
- Umiestnite dvere zariadenia a dvierka mraziaceho priečinka do zimnej polohy, ak zariadenie nebudete dlhšiu dobu používať. Vyhnite sa tak tvorbe plesní.

Bezpečnosť pri prevádzke zariadenia



VÝSTRAHA! Nedodržanie týchto varovaní môže mať za následok smrť alebo vážne poranenie.

Nebezpečenstvo úrazu elektrickým prúdom

- Pred uvedením zariadenia do prevádzky dbajte na to, aby bolo suché prírodné vedenie a zástrčka.
- Zariadenie odpojte od zdroja napätia
 - pred každým čistením a údržbou,
 - po každom použití.

Nebezpečenstvo ohrozenia zdravia

- Skontrolujte, či chladiaci výkon zariadenia zodpovedá požiadavkám potravín určených na chladenie.
- Zariadenie prevádzkujte len na dobre vetraných miestach.
- Chladiaci box používajte vždy len s jedným zdrojom energie.
- Potraviny sa smú skladovať len v originálnych baleniach alebo vhodných nádobách.
- Otvorenie zariadenia na dlhšiu dobu môže spôsobiť výrazné zvýšenie teploty v priehradkách zariadenia.
- Pravidelne čistite povrchy, ktoré môžu prísť do kontaktu s potravinami a prístupnými systémami na odvádzanie kondenzátu.
- Surové mäso a ryby uchovávajte vo vhodných nádobách v zariadení tak, aby neboli v kontakte s inými potravinami ani na ne nekvapkali.
- Ak je zariadenie dlhšiu dobu vystavené izbovej teplote pod +10 °C, v mraziacom priečinku nie je možné zaručiť stálu teplotu. To môže viesť k zvýšeniu teploty v mraziacom priečinku a uložené potraviny sa môžu rozmraziť.

Bezpečné umiestnenie a pripojenie zariadenia



VÝSTRAHA! Nedodržanie týchto varovaní môže mať za následok smrť alebo vážne poranenie.

Nebezpečenstvo požiaru

- Pri preprave sa postarajte, aby nedošlo k poškodeniu chladiaceho okruhu zariadenia.
- Pri umiestňovaní zariadenia sa ubezpečte, že napájací kábel nie je zachytený alebo poškodený.
- Neumiestňujte žiadne viacnásobné prenosné zásuvky alebo prenosné napájacie adaptéry na zadnú stranu zariadenia.



POZOR! Nedodržanie týchto pokynov môže mať za následok poškodenie zariadenia.

Riziko prehriatia

- Dbajte na to, aby sa teplo, ktoré vzniká pri prevádzke, mohlo dostatočne odvádzať. Zabezpečte, aby zariadenie bolo v dostatočnej vzdialenosti od stien alebo predmetov, takže bude zaručená cirkulácia vzduchu.
- Pre riadnu cirkuláciu chladiva nesmie byť prekročený uhol naklonenia zariadenia o viac ako 3°. S pomocou vodováhy sa ubezpečte, že zariadenie je vo vodorovnej polohe.
- Pri preprave držte zariadenie iba za korpus. Nikdy nedržte zariadenie za absorpčný agregát, chladiace rebrá, plynové vedenia, dvere alebo ovládací panel.
- Neumiestňujte zariadenie do blízkosti otvoreného plameňa alebo iných zdrojov tepla (ohrievače, priame slnečné žiarenie, plynové rúry atď.).

- Ak zariadenie ponecháte prázdne na dlhý čas:
 - Vypnite zariadenie.
 - Odmrazte zariadenie.
 - Zariadenie vyčistíte a usušite.
 - Nechajte dvierka otvorené, aby ste zabránili tvorbe plesní vnútri zariadenia.



UPOZORNENIE! Nedodržanie týchto upozornení môže mať za následok ľahké alebo stredne ťažké poranenie.

Nebezpečenstvo poranenia

- Pred cestou zatvorte a zaistite dvere zariadenia.
- Chladiaci agregát na zadnej strane zariadenia je pri prevádzke veľmi horúci. Chráňte sa pred kontaktom s teplovodivými dielmi pri demontovaných vetracích mriežkach.



POZOR! Nedodržanie týchto pokynov môže mať za následok poškodenie zariadenia.

- Skontrolujte, či údaje o napätí na typovom štítku súhlasia s existujúcim zdrojom napätia.
- Zariadenie pripájajte iba nasledovne:
 - Zásuvka s jednosmerným prúdom: Používajte len káble s vhodným prierezom vodiča.
 - Zásuvka so striedavým prúdom: Používajte len dodaný kábel na striedavý prúd
- Konektor nikdy nevyťahujte zo zásuvky za kábel.
- Keď je zariadenie pripojené k zásuvke s jednosmerným prúdom: Prevádzku na jednosmerný prúd (prevádzka na batériu) zvolte len vtedy, ak používate indikátor batérie alebo ak generátor vozidla poskytuje dostatočné napätie.
- Keď je zariadenie pripojené k zásuvke s jednosmerným prúdom: Pri vypínaní motora odpojte zariadenie alebo ho vypnite. Inak sa môže vybiť batéria vozidla.
- Dbajte na to, aby vetracie otvory neboli zakryté.
- Nepoužívajte žiadne zariadenia vnútri zariadenia, okrem prípadu, keď výrobca odporúča používanie týchto zariadení takýmto spôsobom.
- Do vnútorného zásobníka neplňte ľad ani žiadne kvapaliny.
- Ťažké predmety ako fľaše alebo plechovky ukladajte výlučne do dverí zariadenia, do zásuvky na zeleninu alebo na spodnú policu.

Bezpečná prevádzka na plyn



VÝSTRAHA! Nedodržanie týchto varovaní môže mať za následok smrť alebo vážne poranenie.

Nebezpečenstvo výbuchu

- Zariadenie sa smie prevádzkovať výlučne s tlakom uvedeným na typovom štítku. Používajte len pevne nastavené regulátory tlaku, ktoré vyhovujú predpisom vo vašej krajine. Použite regulátor tlaku s pevným nastavením podľa normy DIN EN 16129.

Nebezpečenstvo udusenía

- Prevádzka zariadenia s plynom v nevetranom priestore vedie k nedostatku kyslíka v tomto priestore.
- Zariadenie s plynom nepoužívajte v nevetraných priestoroch, ako sú uzavreté priestory, stany, motorové vozidlá, obytné automobily, karavany, lode, jachty, topánky a kabíny nákladných vozidiel..
- Zariadenie nepoužívajte v miestnostiach s objemom menším ako 40 m³.
- Neumiestňujte zariadenie do blízkosti horľavých materiálov (papier, suché lístie, textilie).
- Horľavé predmety neskladujte v blízkosti horáka.
- Fľaše so skvapalneným plynom **nikdy** neuchovávajúte na nevetraných miestach alebo pod úrovňou podlahy (lievikovité priehlbne v zemi).
- Fľaše so skvapalneným plynom chráňte pred priamym slnečným žiarením. Teplota nesmie presiahnuť 50 °C.
- Nikdy nekontrolujte zariadenie na netesnosť pomocou otvoreného plameňa.
- Ak začítte zápach plynu:
 - Zatvorte uzatvárací kohútik prívodu plynu a ventil fľaše.
 - Nestláčajte žiadne elektrické spínače.
 - Zahaste otvorený plameň.
 - Plynovú sústavu nechajte skontrolovať odborníkom.
- Nenechávajte zariadenie bez dozoru, ak ho prevádzkujete s plynom.



POZOR! Nedodržanie týchto pokynov môže mať za následok poškodenie zariadenia.

Používajte len propán alebo bután (žiadny zemný plyn).

Používanie v súlade s určením

Mobilný chladiaci spotrebič je určený na použitie v domácnosti a na podobné použitie, napríklad:

- na chalupách,
- v kuchynkách pre zamestnancov v obchodoch, kanceláriách a iných pracovných prostrediach,
- zákazníkmi v hoteloch, motelloch a v iných typoch ubytovacích zariadení,
- v zariadeniach typu Bed and Breakfast,
- v kateringovej alebo podobných veľkoobchodných zariadeniach.

Zariadenie je vhodné na:

- chladenie a skladovanie potravín, ako aj skladovanie mrazených potravín,
- prevádzku na jednosmerný prúd, striedavý prúd alebo plyn.

Zariadenie **nie je** vhodné na:

- použitie ako spotrebič na zabudovanie,
- používanie vo výškových budovách, v miestnostiach pod úrovňou terénu, v kúpeľniach a spálňach,
- používanie vo vozidlách,
- používanie na lodiach,
- používanie v miestnostiach s objemom menším ako 40 m³, napr. v miestnosti s rozmermi 4 x 4 m a výškou 2,50 m,
- používanie v nedostatočne vetraných priestoroch.

Dobre vetrané miestnosti sú miestnosti s viac ako jednou výmenou vzduchu za hodinu s oknami a dverami, ktoré nie sú tesné. Miestnosti musia mať aspoň jedno okno, ktoré sa dá otvoriť, alebo dvere, ktoré vedú priamo von.

- skladovanie liekov,
- skladovanie korozívnych látok alebo látok s obsahom rozpúšťadiel,

Tento výrobok je vhodný iba na určené použitie a použitie v súlade s týmto návodom.

Tento návod obsahuje informácie, ktoré sú nevyhnutné pre správnu inštaláciu a/alebo obsluhu zariadenia. Chybná inštalácia a/alebo nesprávna obsluha či údržba bude mať za následok neuspokojivý výkon a možnú poruchu.

Výrobca nenesie žiadnu zodpovednosť za akékoľvek poranenie či škody na výrobku spôsobené:

- nesprávnu montážou alebo pripojením vrátane nadmerného napätia
- nesprávnu údržbou alebo použitím iných ako originálnych náhradných dielov poskytnutých výrobcom
- Zmeny produktu bez výslovného povolenia výrobcu
- Použitie na iné účely než na účely opísané v návode

Firma Dometic si vyhradzuje právo na zmenu vzhľadu a technických parametrov výrobku.

Postavenie a prevádzka

Postupujte tak, ako je to znázornené na strane 5 až strane 13:

- Umiestnenie zariadenia: obr. **1**
- Pripojenie chladiaceho zariadenia na jednosmerný prúd: obr. **2**
- Pripojenie chladiaceho zariadenia na striedavý prúd: obr. **3**
- Pripojenie zariadenia k plynu: obr. **4** – obr. **5**
- Zapnutie 12 V napájania: obr. **6**
- Zapnutie 24 V napájania: obr. **7**
- Zapnutie prívodu plynu: obr. **8**
- Vloženie potravín: obr. **9**
- Vypnutie zariadenia: obr. **10**
- Výmena plynového filtra: obr. **11**
- Výmena batérie zapalovania: obr. **12**
- Čistenie horáka: obr. **13**

Záruka

Platí zákonom stanovená záručná lehota. Ak je výrobok poškodený, obráťte sa na svojho predajcu alebo pobočku výrobcu vo svojej krajine (pozri dometic.com/dealer).

Ak žiadate o vybavenie opravy alebo nárokov vyplývajúcich zo záruky, k zaslanému produktu musíte priložiť nasledujúce dokumenty:

- Kópiu faktúry s dátumom kúpy,
- Dôvod reklamácie alebo opis chyby.

Upozorňujeme Vás, že samooprava alebo neodborná oprava môže mať za následok ohrozenie bezpečnosti a zánik záruky.

Likvidácia



VÝSTRAHA! Riziko uväznenia dieťaťa

Prí likvidácii starého zariadenia demonťujte všetky dvere a ponechajte úložné priechyky v zariadení, aby sa zabránilo náhodnému zatvoreniu a uduseniu detí.

Recyklácia obalového materiálu



- Obalový materiál dávajte podľa možnosti do príslušného recyklovateľného odpadu.

Recyklácia výrobkov s integrovanými batériami, nabíjateľnými batériami alebo svetelnými zdrojmi



- Ak výrobok obsahuje integrované batérie, nabíjateľné batérie alebo svetelné zdroje, nemusíte ich pred likvidáciou vyberať.



- Keď výrobok chcete definitívne vyradiť z prevádzky, informujte sa v najbližšom recyklačnom stredisku alebo u svojho špecializovaného predajcu o príslušných predpisoch týkajúcich sa likvidácie.
- Výrobok je možné bezplatne zlikvidovať.

Pečlivě si prosím přečtěte a dodržujte všechny pokyny, směrnice a varování obsažené v tomto návodu k výrobku, abyste měli jistotu, že výrobek budete vždy správně instalovat, používat a udržovat. Tyto pokyny MUSÍ být uchovávány v blízkosti výrobku.

Používáním výrobku tímto potvrzujete, že jste si pečlivě přečetli všechny pokyny, směrnice a varování a že rozumíte podmínkám uvedeným v tomto dokumentu a souhlasíte s nimi. Souhlasíte s používáním tohoto výrobku pouze k určenému účelu a použití a v souladu s pokyny, směrnicemi a varováními uvedenými v tomto návodu k výrobku a v souladu se všemi příslušnými zákony a předpisy. Pokud si nepřečtete a nebudete dodržovat zde uvedené pokyny a varování, může to vést ke zranění vás i ostatních, poškození vašeho výrobku nebo poškození jiného majetku v okolí. Tento návod k výrobku, včetně pokynů, směrnic a varování a související dokumentace může být předmětem změn a aktualizací. Aktuální informace o výrobku naleznete na documents.dometic.com, dometic.com.

Související dokumenty



Podrobný návod k obsluze a informace o technických údajích najdete online na adrese qr.dometic.com/bf5KYO.

Bezpečnostní pokyny



VÝSTRAHA!

Dodržujte také bezpečnostní pokyny na strana 3 až strana 4.

Základní bezpečnost



VÝSTRAHA! Nedodržení těchto varování může mít za následek smrt nebo vážné zranění.

Nebezpečí usmrcení elektrickým proudem

- V případě, že je přístroj viditelně poškozen, nesmíte ho používat.
- Pokud je přívodní kabel střídavého proudu tohoto přístroje poškozen, musí být vyměněn výrobcem, zákaznickým servisem nebo odborníkem s podobnou kvalifikací tak, aby nevzniklo nebezpečí.
- Opravy tohoto přístroje směřují provádět pouze kvalifikovaní pracovníci. Nesprávné opravy mohou způsobit značné nebezpečí.

Nebezpečí výbuchu

Neskladujte v přístroji výbušné látky, jako např. spreje s hořlavým hnacím plynem.

Nebezpečí požáru

Chladivo v chladicím okruhu je vysoce hořlavé. Při jakémkoli poškození chladicího okruhu (výskytu čpavkového zápachu):

- Vypněte přístroj.
- Pozor na otevřený plamen a jiskření.
- Dobře větrejte místnost.

Nebezpečí ohrožení zdraví

- Nikdy neotevírejte absorpční agregát. Je pod vysokým tlakem a může v případě otevření způsobit zranění.
- Tento přístroj mohou používat děti od 8 let a osoby se sníženými fyzickými, smyslovými nebo duševními schopnostmi nebo s nedostatečnými zkušenostmi a znalostmi, pokud jsou pod dohledem nebo obdržely pokyny týkající se používání přístroje bezpečným způsobem a porozuměly souvisejícím nebezpečím.
- Děti si s přístrojem nesmí hrát.
- Čištění a běžnou údržbu nesmějí provádět děti bez dozoru.
- Děti ve věku od 3 do 8 let mohou přístroje plnit a vyprazdňovat.

Nebezpečí uvíznutí dětí

- Ujistěte se, že police jsou upevněny a zajištěny, aby děti nemohly samy sebe uzamknout v přístroji.
- Před likvidací chladničky:
 - Vyjměte zásuvku.
 - Nechejte v chladničce police, aby se dovnitř nemohly dostat děti.



UPOZORNĚNÍ! Nedodržení těchto upozornění může mít za následek lehké nebo středně těžké zranění.

Riziko zranění

- Nesahejte do závěsu.
- Nenaklánejte se nad otevřená dvířka přístroje.



POZOR! Nedodržení těchto pokynů může mít za následek poškození přístroje.

- Osvětlení může vyměnit pouze výrobce, zástupce servisu nebo podobně kvalifikovaná osoba, aby se zamezilo nebezpečí.
- Při čištění vozidla v místě větrací mřížky nepoužívejte vysokotlaký vodní čistič.
- Zimní kryty větrací mřížky (příslušenství) namontujte, pokud se vozidlo čistí z vnější strany nebo je na delší dobu odstaveno z provozu.

- Příklad není vhodný k přepravě leptavých látek nebo látek s obsahem rozpouštědel.
- Izolace přístroje obsahuje hořlavý cyklopentan a vyžaduje speciální postupy likvidace. Příklad odevzdejte na konci jeho životního cyklu do příslušného recyklačního střediska.
- Udržujte otvor na kondenzát vždy čistý.
- Příklad nikdy neponožte do vody.
- Příklad a kabely chraňte před horkem a vlhkem.
- Příklad nesmí být vystaven dešti.

Bezpečné umístění a připojení přístroje



VÝSTRAHA! Nedodržení těchto varování může mít za následek smrt nebo vážné zranění.

Nebezpečí požáru

- Dávejte při přepravě pozor, abyste nepoškodili okruh přístroje.
- Při umístění přístroje se ujistěte, že není zachycen nebo poškozen přívodní kabel.
- Přenosné vícenásobné zásuvky nebo přenosné napájecí zdroje neumísťte v zadní části přístroje.



POZOR! Nedodržení těchto pokynů může mít za následek poškození přístroje.

Riziko přehřátí

- Vždy dbejte, aby bylo teplo vznikající za provozu zařízení dostatečně odváděno. Zajistěte, aby byl chladicí přístroj postaven v dostatečné vzdálenosti od stěn nebo předmětů tak, aby mohl vzduch cirkulovat.
- K řádné cirkulaci chladiva nesmí přístroj stát se sklonem pod úhlem větším než 3°. K tomu účelu nastavte přístroj vodorovně pomocí vodováhy.
- Příklad při přepravě přidržíte pouze za jeho těleso. Příklad nikdy nepřidržíte za absorpční agregát, chladicí žebra, plynová potrubí, dvířka ani ovládací panel.
- Příklad neinstalujte v blízkosti otevřeného ohně nebo jiných tepelných zdrojů (topení, přímé sluneční záření, plynová kamna apod.).
- Pro připojení přístroje k síti se střídavým proudem používejte pouze příslušný přívodní kabel na střídavý proud.
- Požádejte svého výrobce vozidla, zda řízení baterie vašeho vozidla vypne přístroje k ochraně baterie.

- Dojde-li k delší době nepoužívání zařízení, umístěte dvířka zařízení a dvířka mrazničky do zimní polohy. Tak se zabrání tvorbě plísňe.

Bezpečné použití spotřebiče



VÝSTRAHA! Nedodržení těchto varování může mít za následek smrt nebo vážné zranění.

Nebezpečí usmrcení elektrickým proudem

- Před uvedením přístroje do provozu zkontrolujte, zda jsou přívodní kabel a zástrčka suché.
- Odpojte přístroj od elektrického napájení
 - před každým čištěním a údržbou,
 - po každém použití.

Nebezpečí ohrožení zdraví

- Zkontrolujte, zda chladicí výkon přístroje odpovídá požadavkům potravin, které chcete chladit.
- Příklad provozujte pouze na dobře větraných místech.
- Příklad vždy provozujte pouze se zdrojem energie.
- Skladujte potraviny pouze v originálním balení nebo ve vhodných nádobách.
- Otevření přístroje na delší dobu může způsobit značné zvýšení teploty v přihrádkách přístroje.
- Pravidelně čistěte povrchy, které se mohou dostat do kontaktu s potravinami a přístupnými odtokovými systémy.
- Syrové maso a ryby uchovávejte v přístroji ve vhodných nádobách, aby se nedostaly do kontaktu s ostatními potravinami nebo na ně nemohly kapat.
- V případě, že je přístroj vystaven po delší dobu pokojové teplotě do +10 °C, nelze zaručit rovnoměrnou regulaci teploty v mrazničce. To může vést ke zvýšení teploty v mrazničce a k rozmrazení skladovaného zboží.
- Je-li přístroj ponechán prázdný po dlouhou dobu:
 - Vypněte přístroj.
 - Odmrazte přístroj.
 - Vyčistěte a vysušte přístroj.
 - Nechejte dvířka otevřená, aby se zabránilo tvorbě plísňe uvnitř přístroje.



UPOZORNĚNÍ! Nedodržení těchto upozornění může mít za následek lehké nebo středně těžké zranění.

Riziko zranění

- Před zahájením jízdy zavřete a zamkněte dvířka přístroje.
- Chladicí jednotka na zadní straně přístroje se za provozu velmi zahřívá. Jsou-li větrací mřížky odstraněné, chraňte se před kontaktem s částmi vedoucími teplo.



POZOR! Nedodržení těchto pokynů může mít za následek poškození přístroje.

- Zkontrolujte, zda údaj o napětí na typovém štítku odpovídá údajům pro zdroj napájení.
- Připojte přístroj pouze následujícím způsobem:
 - Zásuvka stejnosměrného proudu: Používejte pouze kabely o odpovídajícím průřezu.
 - Zásuvka střídavého proudu: Používejte pouze dodaný kabel střídavého proudu.
- Nikdy nevytahujte zástrčku ze zásuvky tahem za kabel.
- Pokud je přístroj připojen k zásuvce stejnosměrného proudu: Provoz na stejnosměrný proud (provoz na baterii) vyberte pouze za předpokladu, že používáte snímač baterie, nebo pokud generátor vozidla dodává dostatečné napětí.
- Pokud je přístroj připojen k zásuvce stejnosměrného proudu: Po vypnutí motoru přerušte spojení nebo vypněte přístroj. V opačném případě může dojít k vybití baterie vozidla.
- Pamatujte, že nesmějí být zakryty větrací otvory.
- Nepoužívejte uvnitř přístroje žádné elektrické přístroje, pouze pokud jsou k tomu takové přístroje doporučeny výrobcem.
- Do vnitřní nádoby nelijte žádné kapaliny ani do ní nedávejte led.
- Těžké předměty, např. láhve nebo plechovky, uchovávejte výhradně ve dvířkách přístroje, v přihrádce na potraviny nebo na spodní polici.

Bezpečný provoz na plyn



VÝSTRAHA! Nedodržení těchto varování může mít za následek smrt nebo vážné zranění.

Nebezpečí výbuchu

- Přístroj používejte výhradně pod tlakem uvedeným na typovém štítku. Používejte pouze regulátory tlaku s pevným nastavením, které odpovídá národním předpisům. Používejte tlakový regulátor s fixním nastavením v souladu s DIN EN 16129.

Riziko udušení

- Provoz přístroje s plynem v nevětraném prostoru vede k nedostatku kyslíku v tomto prostoru.
- Přístroj nepoužívejte s plynem v nevětraných prostorech, např. uzavřené místnosti, stany, motorová vozidla, obytné vozy, karavany, plavidla, jachty, čluny a kabiny nákladních vozidel.
- Nepoužívejte zařízení v místnostech o objemu menším než 40 m³.
- Přístroj neumísťujte do blízkosti hořlavých materiálů (papíru, suchého listí, textilu).
- Hořlavé předměty udržujte v bezpečné vzdálenosti od hořáku.
- **Nikdy** neskladujte láhve se zkapalněným plynem na nevětraných místech nebo pod úrovní podlahy (nálevkovité vybrání v podlaze).
- Chraňte láhve se zkapalněným plynem před přímým slunečním zářením. Teplota nesmí překročit 50 °C.
- Nikdy nekontrolujte netěsnosti přístroje otevřeným plamenem.
- Pokud cítíte plyn:
 - Uzavřete uzavírací kohout přívodu plynu a ventil láhve.
 - Neaktivujte žádné elektrické spínače.
 - Uhasťte otevřené plameny.
 - Nechte odborníka zkontrolovat plynovou soustavu.
- Přístroj v provozu na plyn nikdy nenechávejte bez dozoru.



POZOR! Nedodržení těchto pokynů může mít za následek poškození přístroje.

Používejte pouze propan nebo butan (nikoli zemní plyn).

Určené použití

Mobilní chladicí spotřebič je určen pro použití v domácnostech a podobných aplikacích, jako jsou:

- farmy,
- Kuchyňky pro personál v obchodech, kancelářích a jiných pracovních prostorách,
- Klienti v hotelech, motelech a jiných prostředích rezidenčního typu,
- ubytovací zařízení typu bed and breakfast,
- stravovací a podobná zařízení neobchodního typu.

Přístroj je vhodný pro:

- Chlazení a uchovávání potravin i mražených
- Provoz na stejnosměrný, střídavý proud nebo plyn

Přístroj se **nehodí** pro:

- Použití jako vestavný spotřebič
- Použití ve výškových budovách, místnostech pod úrovní terénu, koupelnách a ložnicích
- Použití ve vozidlech
- Použití na lodích
- Použití v místnostech o objemu menším než 40 m³, např. místnosti o velikosti 4 x 4 m s výškou místnosti 2,50 m
- Použití ve špatně větraných prostorech
Dobře větrané místnosti jsou místnosti s více než jednou výměnou vzduchu za hodinu s okny a dveřmi, které nejsou vzduchotěsné. Místnosti musí mít alespoň jedno okno, které je možné otevřít, nebo dveře vedoucí přímo ven
- Skladování léčiv.
- Skladování žrávých látek nebo látek s obsahem rozpouštědel

Tento výrobek je vhodný pouze k určenému účelu a použití v souladu s těmito pokyny.

Tento návod poskytuje informace, které jsou nezbytné pro řádnou instalaci a/nebo provoz přístroje. Nesprávná instalace a/nebo nevhodné použití či údržba povedou k neuspokojivému výkonu a možné závadě.

Výrobce nepřijímá žádnou odpovědnost za jakékoliv zranění nebo poškození výrobku vyplývající z následujícího:

- Nesprávné sestavení nebo připojení včetně nadměrného napětí
- Nesprávná údržba nebo použití jiných náhradních dílů než originálních dílů dodaných výrobcem
- Úpravy výrobku bez výslovného souhlasu výrobce
- Použití k jiným účelům, než jsou popsány v tomto návodu

Společnost Dometic si vyhrazuje právo změnit vzhled a specifikace výrobku.

Instalace a provoz

Postupujte podle obrázku strana 5 až strana 13:

- Umístění přístroje: obr. **1**
- Připojení přístroje k napájení stejnosměrným proudem: obr. **2**
- Připojení přístroje k napájení střídavým proudem: obr. **3**
- Připojení přístroje k plynu: obr. **4** – obr. **5**
- Zapnutí napájení 12 V: obr. **6**
- Zapnutí napájení 24 V: obr. **7**
- Zapnutí plynového napájení: obr. **8**
- Umístění potravin: obr. **9**
- Vypnutí přístroje: obr. **10**
- Výměna plynového filtru: obr. **11**
- Výměna baterie zapalování: obr. **12**
- Čištění hořáku: obr. **13**

Záruka

Na výrobek je poskytována záruka v souladu s platnými zákony. Pokud je výrobek vadný, obraťte se na svého prodejce nebo na pobočku výrobce ve vaší zemi (viz dometic.com/dealer).

K vyřízení opravy a záruky nezapomeňte spolu s výrobkem odeslat následující dokumenty:

- Kopii účtenky s datem zakoupení,
- Uvedení důvodu reklamace nebo popis vady.

Upozorňujeme, že oprava svépomocí nebo neodborná oprava může ohrozit bezpečnost a vést ke ztrátě záruky.

Likvidace



VÝSTRAHA! Nebezpečí uvíznutí dětí

Při likvidaci přístroje demontujte všechna dvířka přístroje a police ponechejte v přístroji, aby se zabránilo náhodnému uzamčení a udušení dětí.

Recyklace obalového materiálu



- Obalový materiál likvidujte v odpadu určeném k recyklaci.

Recyklace výrobků s nevyměnitelnými bateriemi, dobíjecími bateriemi nebo světelnými zdroji



- Pokud výrobek obsahuje nevyměnitelné baterie, dobíjecí baterie nebo světelné zdroje, nemusíte je před likvidací odstraňovat.



- Pokud budete chtít výrobek definitivně zlikvidovat, informace o příslušném postupu v souladu s platnými předpisy pro likvidaci vám sdělí místní recyklační středisko nebo specializovaný prodejce.
- Výrobek lze bezplatně zlikvidovat.

A termék mindenkor szakszerű telepítése, használata és karbantartása érdekében kérjük figyelmesen olvassa el az ebben a termék kézikönyvben található utasításokat, irányelveket és figyelmeztetéseket, valamint mindig tartsa be ezeket. Ezt az útmutatót a termék közelében KELL tartani.

A termék használatba vételével Ön kijelenti hogy figyelmesen elolvasta az összes utasítást, irányelvet és figyelmeztetést, valamint megértette és elfogadja az itt leírt szerződési feltételeket. Ön elfogadja, hogy kizárólag a rendeltetésének megfelelő célra és a jelen termék kézikönyvben leírt útmutatásoknak, irányelveknek és figyelmeztetéseknek, valamint a hatályos törvényeknek és szabályozásoknak megfelelően használja ezt a terméket. Az itt leírt utasítások és figyelmeztetések elolvasásának és betartásának elmulasztása saját és mások sérüléséhez, a termék vagy a közelben található más anyagok javak károsodásához vezethet. Ez a termék kézikönyv és a benne található utasítások, irányelvek és figyelmeztetések, valamint a kapcsolódó dokumentációk módosulhatnak és frissülhetnek. Naprakész termékinformációk érdekében kérjük látogasson el a következő honlapra: documents.dometic.com, dometic.com.

Vonatkozó dokumentumok



A részletes használati útmutatót és a műszaki adatokat online a következő honlapon találhatja meg:
qr.dometic.com/bf5KY0.

Biztonsági útmutatások



FIGYELMEZTETÉS!

Vegye figyelembe a(z) 3. oldal - 4. oldal oldalakon található biztonsági útmutatásokat is.

Alapvető biztonság



FIGYELMEZTETÉS! Ezeknek a figyelmeztetéseknek a figyelmen kívül hagyása súlyos, vagy halálos sérüléshez vezethet.

Áramutés miatti veszély

- Ha a készüléken látható sérülések vannak, akkor a készüléket nem szabad üzembe helyezni.
- Ha a készülék váltakozó áramú csatlakozókábele megsérült, akkor a veszélyek elkerülése érdekében a gyártóval, a vevőszolgálattal vagy egy hasonlóan képzett szakemberrel kell kicséréltetni ezt.
- Javításokat csak szakemberek végezhetnek a készüléken. A helytelen javítások jelentős veszélyeket okozhatnak.

Robbanásveszély

Tilos a készülékben robbanékony anyagokat, például gyúlékony hajtógázt tartalmazó permetpalackokat tárolni.

Tűzveszély

A hűtőkörben található hűtőközeg tűzveszélyes. A hűtőkör sérülése esetén (ez az ammóniaszagról ismerhető fel):

- Kapcsolja ki a készüléket.
- Kerülje a nyílt lángot és a gyújtószikrákat.
- Szellőztesse ki jól a helyiséget.

Egészségkárosodás veszélye

- Az abszorpciós aggregátot tilos felnyitni. Nagy nyomás uralkodik benne és felnyitáskor sérüléseket okozhat.
- A készüléket 8 év feletti gyermekek, valamint korlátozott fizikai, érzékelési és mentális képességű, illetve megfelelő tapasztalattal és tudással nem rendelkező személyek csak felügyelet mellett, illetve a készülék biztonságos használatát és az abból eredő veszélyeket megértve használhatják.
- A készülékkel gyerekek nem játszhatnak.
- A tisztítást és a felhasználói karbantartást felügyelet nélküli gyermekek nem végezhetik.
- A 3 és 8 év közötti gyermekek már kivehetnek és berakhatnak élelmiszereket a készülékekbe.

Gyermekek beszorulásának kockázata

- Gondoskodjon róla, hogy a polcok beszerelésének és rögzítésének módja révén a gyermekek ne tudják bezárni magukat a készülékbe.
- A régi hűtőszekrény ártalmatlanítása előtt:
 - Szerelje ki a fiókot.
 - Hagyja a polcokat a hűtőszekrényben, hogy gyermekek ne mászhassanak bele.



VIGYÁZAT! Ezeknek a felhívásoknak a figyelmen kívül hagyása könnyű vagy mérsékelt sérüléshez vezethet.

Sérülés kockázata

- Ne nyúljon a zsanérok közé.
- Ne támaszkodjon rá a kinyitott készülékajtóra.



FIGYELEM! Ezeknek az utasításoknak a figyelmen kívül hagyása a készülék károsodását eredményezheti.

- A veszélyek elkerülése érdekében csak a gyártó, a szerviz vagy hasonló képesítéssel rendelkező szolgáltató cserélheti ki az izzót.
- A jármű tisztítása során a szellőzőrács területén ne használjon nagynyomású tisztítóberendezést.
- Ha kívülről tisztítja a járművet, vagy ha hosszabb ideig nem használja azt, szerelje fel a téli burkolatokat a szellőzőrácsra (tartozék).

- A készülék nem alkalmas maró hatású vagy oldószert tartalmazó anyagok szállítására.
- A készülék szigetelése gyúlékony ciklopentánt tartalmaz, amely speciális ártalmatlanítási eljárásokat igényel. Élettartama végén megfelelő hulladékkezelő központban adja le a készüléket.
- Mindig tartsa tisztán a kondenzvíz nyílását.
- Soha ne merítse vízbe a készüléket.
- Védje a készüléket és a kábeleket a hőtől és a nedvességtől.
- A készüléket ne tegye ki az eső hatásának.

A készülék biztonságos elhelyezése és csatlakoztatása



FIGYELMEZTETÉS! Ezeknek a figyelmeztetéseknek a figyelmen kívül hagyása súlyos, vagy halálos sérüléshez vezethet.

Tűzveszély

- A szállítás során ügyeljen arra, hogy ne sérüljön meg a készülék hűtőköre.
- A készülék elhelyezésekor ügyeljen arra, hogy ne csípjé be és ne károsítsa a tápkábelt.
- Ne helyezzen el több hordozható aljzatot, vagy hordozható tápegységet a készülék hátsó részénél.



FIGYELEM! Ezeknek az utasításoknak a figyelmen kívül hagyása a készülék károsodását eredményezheti.

Túlmelegedés kockázata

- Mindig ügyeljen arra, hogy az üzemeltetés során keletkező hő kielégítően eltávozhasson. A levegő keringtetése érdekében gondoskodjon arról, hogy a készülék megfelelő távolságra legyen a faltól vagy tárgyaktól.
- A hűtőközeg megfelelő keringtetése érdekében a készülék dőlésszöge nem lépheti túl a 3°-ot. Ehhez egy vízszintmérő segítségével állítsa vízszintes helyzetbe a készüléket.
- A szállításkor kizárólag a testénél fogva mozgassa a készüléket. A készüléket tilos az abszorbennél, a hűtőbordáknál, a gázvezetéseknél, vagy a kezelőlemeznél fogva mozgatni.
- Ne helyezze a készüléket nyílt láng vagy más hőforrás (fűtés, erős napsugárzás, gáztűzhely stb.) közelébe.
- A készüléket csak a mellékelt váltakozó áramú csatlakozókábellel csatlakoztassa a váltakozó áramú aljzathoz.

- Kérdezze meg a jármű gyártóját, hogy járműve akkumulátorkezelő rendszere az akkumulátor védelme érdekében kikapcsolja-e a készüléket.
- Ha hosszabb ideig nem szándékozik használni a készüléket, akkor állítsa a készülék és a jégrekesz ajtaját téli helyzetbe. Így elkerülhető a bepenészedés.

Biztonság a készülék üzemeltetése során



FIGYELMEZTETÉS! Ezeknek a figyelmeztetéseknek a figyelmen kívül hagyása súlyos, vagy halálos sérüléshez vezethet.

Áramütés miatti veszély

- Üzembe helyezés előtt ügyeljen arra, hogy a vezeték és a dugasz száraz legyen.
- Válassza le a készüléket az áramellátásról
 - minden tisztítás és ápolás előtt
 - minden használat után

Egészségkárosodás veszélye

- Ellenőrizze, hogy a készülék hűtési teljesítménye megfelel-e a hűteni kívánt élelmiszerek követelményeinek.
- A készüléket csak jól szellőző helyeken üzemeltesse.
- A készüléket csak egy energiaforrásról üzemeltesse.
- Élelmiszert csak eredeti csomagolásban vagy megfelelő tárolókban szabad tárolni.
- Ha hosszabb időszakokra kinyitja a készüléket, azzal jelentősen megnövekedhet a hőmérséklet a készülék rekeszeiben.
- Tisztítsa meg rendszeresen az élelmiszerral érintkező felületeket és a hozzáférhető lefolyórendszereket.
- Annak érdekében, hogy a nyers hús és hal ne érhesen hozzá vagy ne csepegjen rá más élelmiszerekre, megfelelő tárolóedényekben tartsa ezeket a készülékben.
- Ha a készülék hosszabb ideig +10 °C alatti szobahőmérsékletnek van kitéve, akkor nem garantálható a jégrekesz hőmérsékletének egyenletes szabályozása. Ez a jégrekesz hőmérsékletének megemelkedését és a behelyezett áruk felolvadását okozhatja.

- Ha hosszú időre üresen hagyja a készüléket:
 - Kapcsolja ki a készüléket.
 - Olvassa le a készüléket.
 - Tisztítsa meg és szárítsa meg a készüléket.
 - A készülék belsejében történő penészképződés elkerülése érdekében hagyja nyitva az ajtót.



VIGYÁZAT! Ezeknek a felhívásoknak a figyelmen kívül hagyása könnyű vagy mérsékelt sérüléshez vezethet.

Sérülés kockázata

- Az utazás megkezdése előtt zárja be és resetelje a készülék ajtaját.
- A készülék hátoldalán lévő hűtőaggregát üzem közben nagyon felforrósodik. Mielőtt leveszi a szellőzőrácsot és hővezető alkatrészekhez érke hozzá, vegyen fel védőfelszerelést.



FIGYELEM! Ezeknek az utasításoknak a figyelmen kívül hagyása a készülék károsodását eredményezheti.

- Ellenőrizze, hogy a típustáblán feltüntetett feszültségadatok egyeznek-e a rendelkezésre álló energiaellátással.
- A készüléket a következő módon csatlakoztassa:
 - Egyenáramú aljzat: Csak megfelelő keresztmetszetű kábelt használjon.
 - Váltakozó áramú aljzat: Csak a mellékelt váltakozó áramú csatlakozókábelt használja
- Soha ne húzza ki a csatlakozódugót a kábelnél fogva az aljzataból.
- Ha a készülék egy egyenáramú aljzathoz van csatlakoztatva: Az egyenáramú üzemet (akkumulátorról történő üzem) csak akkor válassza, ha akkumulátorfelügyelőt használ vagy a jármű áramgenerátora kellő feszültséget biztosít.
- Ha a készülék egy egyenáramú aljzathoz van csatlakoztatva: Ha a jármű motorját kikapcsolja, húzza ki a csatlakozódugót vagy kapcsolja ki a készüléket. Ellenkező esetben az akkumulátor lemerülhet.
- Ügyeljen arra, hogy a szellőzőnyílások ne legyenek lefedve.
- Ne használjon elektromos készülékeket a készülék belsejében, kivéve, ha ezeket az elektromos készülékeket a gyártó erre a célra javasolja.
- Ne töltsön folyadékokat vagy jeget a belső tartályba.
- A nehéz tárgyakat, pl. palackokat, vagy dobozokat kizárólag a készülék ajtajában, a zöldségrekeszben, vagy az alsó polcon tárolja.

Biztonságos üzemeltetés gázzal



FIGYELMEZTETÉS! Ezeknek a figyelmeztetéseknek a figyelmen kívül hagyása súlyos, vagy halálos sérüléshez vezethet.

Robbanásveszély

- A készüléket csak az adattáblán megadott nyomással üzemeltesse. Csak olyan fix beállítású nyomásszabályozókat használjon, amelyek megfelelnek az országos előírásoknak. Fix értékű, a DIN EN 16129 szabványnak megfelelő nyomásszabályozót használjon.

Fulladásveszély

- Ha rosszul szellőző helyeken gázzal üzemelteti a készüléket, az oxigénhiányt okozhat ezekben a helyiségekben.
- Ne használja gázüzemben a készüléket olyan rosszul szellőző helyeken mint például zárt helyiségek, sátrak, gépjárművek, lakókocsik, lakóautók, hajók, jachtok és tehergépjármű-fülkék.
- Ne üzemeltesse a készüléket 40 m³-nél kisebb légtérű helyiségekben.
- Ne helyezze a készüléket gyúlékony anyagok (papír, száraz levelek, textíliák) közelébe.
- A gyúlékony tárgyakat tartsa távol az égőfejtől.
- **Soha** ne tárolja a folyékonygáz-palackokat szellőzés nélküli helyeken vagy a talajszint alatt (töltés szerű bemélyedésekben).
- Védje a folyékonygáz palackokat a közvetlen napsugárzástól. A hőmérséklet 50 °C-nál nem lehet magasabb.
- Soha ne ellenőrizze a készülék tömítettségét nyílt lánggal.
- Gázszag érzékelése esetén:
 - Zárja el a gázellátás zárócsapját és a palack-szelepet.
 - Ne működtesse az elektromos kapcsolókat.
 - Oltsa el a nyílt lángokat.
 - Egy szakértő vállalattal ellenőriztesse a gázberendezést.
- Gázüzemben ne üzemeltesse a készüléket felügyelet nélkül.



FIGYELEM! Ezeknek az utasításoknak a figyelmen kívül hagyása a készülék károsodását eredményezheti.

Csak propán- vagy butángázt (földgázt ne) használjon.

Rendeltetészerű használat

A mobil hűtőkészülék háztartási és hasonló környezetekben, például:

- vidéki vendégházakban
- üzletek, irodák és egyéb munkahelyek személyzeti konyháiban
- hotelekben, motelekben és más lakóépület típusú környezetekben
- vendégfogadó létesítményekben
- catering és hasonló nem kiskereskedelmi felhasználási területeken alkalmazható

A készülék a következőkre alkalmas:

- Élelmiszer hűtése és tárolása valamint fagyaszott élelmiszer tárolása
- Üzemeltetés egyenáramról, váltakozó áramról és gázzal

A készülék **nem** alkalmas a következőkre:

- Beépített készülékként való használat
- Többemeletes épületekben, talajszint alatti helyiségekben, fürdőszobákban és hálószobákban való használat
- Járművekben való használat
- Hajókon való használat
- 40 m³-nél kisebb légterű, például 4 x 4 m-es alapterületű és 2,50 m-es belmagasságú helyiségekben való használat
- Rosszul szellőző területeken való használat
Jól szellőző helyiségnek az olyan helyiségek számítanak, amelyekben óránként egynél több légcsere történik, és nem légmentesen záródó ablakokkal és ajtókkal rendelkeznek. Az ilyen helyiségeknek legalább egy nyitható ablakkal és legalább egy, közvetlenül kültérre nyíló ajtóval kell rendelkezniük
- Gyógyszerek tárolása.
- Maró hatású anyagok vagy olyan anyagok tárolása, amelyek oldószereket tartalmaznak

Ez a termék az itt leírt utasításoknak megfelelő rendeltetészerű használatra alkalmas.

Ez a kézikönyv olyan információkat nyújt, amelyek a készülék szakszerű telepítéséhez és/vagy üzemeltetéséhez szükségesek. A hibás telepítés és/vagy a szakszerűtlen üzemeltetés vagy karbantartás elégtelen teljesítményhez és potenciálisan meghibásodáshoz vezethet.

A gyártó nem vállal felelősséget a termék olyan károsodásáért, vagy sérülésekért, amelyek a következőkre vezethetők vissza:

- Hibás összeszerelés vagy csatlakoztatás, ideértve a túlfeszültséget is
- Helytelen karbantartás, vagy a gyártó által szállított eredeti cserealkatrésztől eltérő cserealkatrészek használata
- A termék kifejezett gyártói engedély nélküli módosítása
- Az útmutatóban leírt céloktól eltérő felhasználás

A Dometic fenntartja a termék megjelenésének és specifikációjának módosítására vonatkozó jogát.

Beállítás és üzemeltetés

Az 5. oldal - 13. oldal helyeken bemutatott módon járjon el:

- A készülék elhelyezése: **1**. ábra
- A készülék csatlakoztatása egyenáramú tápellátáshoz: **2**. ábra
- A készülék csatlakoztatása váltakozó áramú tápellátáshoz: **3**. ábra
- A készülék csatlakozása gázellátáshoz: **4**. ábra – **5**. ábra
- A 12 V áramellátás bekapcsolása: **6**. ábra
- A 24 V áramellátás bekapcsolása: **7**. ábra
- A gázellátás bekapcsolása: **8**. ábra
- Élelmiszer elhelyezése: **9**. ábra
- a készülék kikapcsolása: **10**. ábra
- A gázszűrő cseréje: **11**. ábra
- Elem cseréje a begyújtó egységben: **12**. ábra
- Az égőfej tisztítása: **13**. ábra

Szavatosság

A termékre a törvény szerinti szavatossági időszak érvényes. Amennyiben a termék meghibásodott, lépjen kapcsolatba a kiskereskedővel, vagy a gyártó helyi képviselőjével (lásd: dometic.com/dealer).

A javításhoz, illetve a garancia intézéséhez a következő dokumentumokat kell mellékelnie a termék beküldésekor:

- A számla vásárlási dátummal rendelkező másolatát
- A reklamáció okát vagy a hibát tartalmazó leírást

Vegye figyelembe, hogy az önkezü javítás vagy a nem szakszerű javítás biztonsági következményekkel járhat, és érvénytelenítheti a szavatosságot.

Ártalmatlanítás



FIGYELMEZTETÉS! Gyermekek beszorulásának kockázata

A gyermekek véletlen bezáródásának és fulladásának elkerülése érdekében a régi készülék leselejtezésekor szerelje le a készülék ajtóit és a tartókat hagyja a hűtő-készülékben.

Csomagolóanyagok újrahasznosítása



- ▶ A csomagolóanyagot lehetőleg a megfelelő újrahasznosítható hulladékokhoz tegye.

Nem cserélhető elemeket, akkumulátorokat vagy fényforrásokat tartalmazó termékek újrahasznosítása



- ▶ Ha a termék nem cserélhető elemeket, akkumulátorokat vagy fényforrásokat tartalmaz, azokat nem kell eltávolítani az ártalmatlanítás előtt.



- ▶ A termék végleges üzemén kívül elhelyezése esetén tájékozódjon a legközelebbi újrahasznosító központban vagy szakkereskedőjénél a vonatkozó ártalmatlanítási előírásokról.
- ▶ A termék ingyenesen ártalmatlanítható.

Pažljivo pročitajte ove upute i poštujujte sve upute, smjernice i upozorenja sadržane u ovim uputama kako biste u svakom trenutku osigurali pravilnu instalaciju, uporabu i održavanje proizvoda. Ove upute MORAJU ostati u blizini uređaja.

Uporabom proizvoda potvrđujete da ste pažljivo pročitali sve upute, smjernice i upozorenja te da razumijete i pristajete poštovati ovdje navedene uvjete i odredbe. Pristajete koristiti ovaj proizvod samo za predviđenu svrhu i namjenu te u skladu s uputama, smjernicama i upozorenjima navedenima u ovom priručniku za proizvod, kao i u skladu sa svim važećim zakonima i propisima. Ako ne pročitate i ne poštujuete ovdje navedene upute i upozorenja, tada to može dovesti do ozljeđivanja vas i drugih osoba, do oštećenja proizvoda ili druge imovine u blizini. Ovaj priručnik za proizvod, uključujući i upute, smjernice i upozorenja, te povezanu dokumentaciju može biti podložan promjenama i ažuriranjima. Za najnovije podatke o proizvodu posjetite documents.dometic.com, dometic.com.

Povezani dokumenti



Detaljne upute za rukovanje i informacije o tehničkim podacima možete pronaći na Internetu na adresi qr.dometic.com/bf5KYO.

Sigurnosne upute



UPOZORENJE!

Također se pridržavajte i sigurnosnih uputa na stranica 3 do stranica 4.

Opća sigurnost



UPOZORENJE! Nepoštivanje ovih upozorenja moglo bi dovesti do smrti ili teške ozljede.

Opasnost od strujnog udara

- Nemojte koristiti ovaj uređaj ako na njemu ima vidljivih oštećenja.
- Ako je kabel za izmjenično napajanje uređaja oštećen, mora ga zamijeniti proizvođač, ovlašteni servis ili slično kvalificirana osoba kako bi se spriječilo ugrožavanje sigurnosti.
- Popravke na ovom uređaju smiju provoditi samo stručnjaci. Npropisno izvedeni popravci mogu značajno povećati opasnosti.

Opasnost od eksplozije

U uređaj nemojte odlagati eksplozivne tvari kao što su sprejevi u limenci sa zapaljivim potisnim plinom.

Opasnost od požara

Rashladno sredstvo u uređaju iznimno je zapaljivo. Ako dođe do bilo kakvog oštećenja kruga rashladnog sredstva (miris amonijaka):

- Isključite ga.
- Izbjegavajte otvoreni plamen i iskre.
- Dobro prozračite prostoriju.

Opasnost za zdravlje

- Nikad ne otvarajte jedinicu apsorbira. Ona je pod visokim tlakom i možete prouzročiti ozljede ako ju se otvori.
- Ovim uređajem smiju rukovati djeca starija od 8 godina i osobe sa smanjenim fizičkim, osjetilnim i mentalnim sposobnostima ili osobe s nedostatkom iskustva i znanja ako su pod nadzorom, odn. ako im se daju upute u vezi sa sigurnom uporabom uređaja i ako razumiju uključene opasnosti.
- Djeca se ne smiju igrati uređajem.
- Djeca ne smiju provoditi čišćenje i korisničko održavanje bez nadzora.
- Djeci od 3 do 8 godina dopušteno je puniti i prazniti uređaje.

Opasnost da će djeca ostati zarobljena u uređaju

- Provjerite jesu li police montirane i učvršćene tako da se djeca ne mogu zaključati u uređaj.
- Prije odlaganja starog hladnjaka u otpad:
 - Demontirajte ladice.
 - Ostavite police u hladnjaku tako da djeca ne mogu ući u njega.



OPREZ! Nepoštivanje ovih upozorenja moglo bi dovesti do lakše ili umjerenih ozljeda.

Opasnost od ozljeda

- Ne gurajte prste u šarku.
- Nemojte se naslanjati na vrata uređaja.



POZOR! Nepoštivanje ovih uputa može dovesti do štete na uređaju.

- Lampicu smije zamijeniti samo proizvođač, servisni agent ili osoba sa sličnim kvalifikacijama radi izbjegavanja opasnosti.
- Tijekom čišćenja vozila nemojte visokotlačni perlač potporeljavati u blizini ventilacijske rešetke.
- Na ventilacijsku rešetku pričvrstite zimske pokrove (dodatna oprema) kada se vozilo čisti izvana ili ako se neće upotrebljavati dulje vremensko razdoblje.

- Uređaj nije prikladan za transport lužnatih materijala ni materijala koji sadrže otapala.
- Izolacija uređaja sadržava zapaljivi ciklopentan i zahtijeva posebne postupke odlaganja u otpad. Na kraju njegovog životnog ciklusa uređaj odvzite u odgovarajući centar za reciklažu.
- U svakom trenutku održavajte otvor za kondenziranje čistim.
- Nikada ne uranjajte uređaj u vodu.
- Zaštitite uređaj i kabele od topline i vlage.
- Uređaj ne smije biti izložen kiši.

- Ako uređaj nećete upotrebljavati dulje vrijeme, vrata uređaja i vrata pretinca za zamrzavanje postavite u zimski položaj. To sprječava nastanak plijesni.

Sigurnost pri radu uređaja



UPOZORENJE! Nepoštivanje ovih upozorenja moglo bi dovesti do smrti ili teške ozljede.

Opasnost od strujnog udara

- Prije uključivanja uređaja uvjerite se da su priključni kabel i utikač suhi.
- Odvojite uređaj od napajanja
 - prije svakog čišćenja i održavanja
 - nakon svake upotrebe

Opasnost za zdravlje

- Provjerite je li učinak hlađenja odgovarajući za čuvanje hrane koju želite hladiti.
- Uređaj upotrebljavajte samo u dobro prozračanim prostorima.
- Uređaj priključite u samo jedan izvor energije.
- Hrana se smije čuvati samo u izvornom pakiranju ili u prikladnim posudama.
- Otvaranje uređaja na dulje vrijeme može uzrokovati znatno povećanje temperature u odjeljcima uređaja.
- Redovito čistite površine koje dolaze u dodir s hranom i sustavima odvodnje kojima se može pristupiti.
- Sirovo meso i ribu spremajte u odgovarajuće posude u uređaju tako da nisu u dodiru s drugom hranom niti kapaju po njoj.
- Ako je uređaj dulje vrijeme na sobnoj temperaturi nižoj od +10 °C, ne može se zajamčiti održavanje ujednačene temperature u odjeljku za zamrzavanje. To može dovesti do povećanja temperature u pretincu za zamrzavanje i posljedično do otapanja pohranjenih namirnica.
- Ako je uređaj dugo prazan:
 - Isključite ga.
 - Odledite uređaj.
 - Očistite i osušite uređaj.
 - Vrata ostavite otvorena da biste spriječili nastanak plijesni u uređaju.

Sigurno postavljanje i priključivanje uređaja



UPOZORENJE! Nepoštivanje ovih upozorenja moglo bi dovesti do smrti ili teške ozljede.

Opasnost od požara

- Provjerite nije li tijekom transporta došlo do oštećenja kruga s rashladnim sredstvom uređaja.
- Kada postavljate uređaj, pobrinite se da kabel napajanja nije zaglavljen ili oštećen.
- Ne postavljajte višestruke utičnice ili prijenosna napajanja na stražnjoj strani uređaja.



POZOR! Nepoštivanje ovih uputa može dovesti do štete na uređaju.

Opasnost od pregrijavanja

- Uvijek obratite pozornost da se toplina, koja nastaje tijekom rada uređaja, može nesmetano odvoditi. Pobrinite se da uređaj uvijek bude na dovoljnoj udaljenosti od zidova ili predmeta tako da zrak može nesmetano kružiti.
- Kako bi rashladno sredstvo moglo pravilno cirkulirati, nagib uređaja ne smije biti veći od 3°. Libelom provjerite je li uređaj postavljen ravno.
- Uređaj držite samo za središnji dio tijekom transporta. Uređaj nikada nemojte držati za jedinicu za apsorpciju, rashladna rebra, vrata ili upravljačku ploču.
- Nemojte postavljati uređaj u blizini otvorenog plamena ili drugih izvora topline (grijalice, izravna sunčeva svjetlost, plinske pećnice itd.).
- Upotrebljavajte samo spojni kabel za izmjeničnu struju da biste povezali uređaj s mrežom izmjenične struje.
- Informacije o tome može li upravljanje napajanjem vozila isključiti uređaje radi zaštite akumulatora zatražite od proizvođača vozila.



OPREZ! Nepoštivanje ovih upozorenja moglo bi dovesti do lakše ili umjerenе ozljede.

Opasnost od ozljeda

- Zatvorite i zaključajte vrata uređaja prije kretanja na putovanje.
- Rashladni agregat sa stražnje strane uređaja jako se zagrije tijekom rada. Pripazite da ne dođete u kontakt s vrućim dijelovima dok uklanjate ventilacijsku rešetku.



POZOR! Nepoštivanje ovih uputa može dovesti do štete na uređaju.

- Provjerite odgovara li specifikacija napona na tipskoj pločici specifikaciji mrežnog napona.
- Uređaj priključujte samo na sljedeći način:
 - utičnica za istosmjernu struju: koristite samo kabele odgovarajućeg presjeka.
 - utičnica za izmjeničnu struju: koristite samo priloženi kabel za izmjeničnu struju.
- Nikada ne izvlačite utikač iz utičnice povlačenjem kabela.
- Ako je rashladni uređaj priključen u utičnicu s istosmjernom strujom: rad na istosmjernu struju (iz akumulatora) odaberite samo ako upotrebljavate kontrolni uređaj za akumulator ili alternator vozila pruža dovoljan napon.
- Ako je rashladni uređaj priključen u utičnicu s istosmjernom strujom: iskopčajte uređaj ili ga isključite kada isključite motor. U suprotnom možete isprazniti akumulator.
- Pazite da otvori za ventilaciju nisu prekriveni.
- Ne upotrebljavajte električne uređaje unutar uređaja, osim ako ih proizvođač ne preporučuje u tu svrhu.
- Ne punitе unutarnju posudu ledom ili tekućinom.
- Teške predmete, kao što su boce ili limenke, čuvajte samo u vratima uređaja, u odjeljku za povrće ili na donjoj polici.

Siguran rad s plinom



UPOZORENJE! Nepoštivanje ovih upozorenja moglo bi dovesti do smrti ili teške ozljede.

Opasnost od eksplozije

- Uređaj smije raditi samo pod tlakom prikazanim na natpisnoj pločici. Upotrebljavajte samo regulatore tlaka s fiksnim postavkama koje su u skladu s državnim propisima. Upotrebljavajte regulator tlaka s fiksnim postavkama u skladu s normom DIN EN 16129.

Opasnost od gušenja

- Upotrebom ovog uređaja s plinom u neprozračenom prostoru smanjit će se količina kisika u prostoru.
- Uređaj s plinom nemojte upotrebljavati u neprozračanim prostorima kao što su zatvorene prostorije, šatori, motorna vozila, kamperi, karavani, brodovi, jahte, prtljažnici i kabine kamiona.
- Uređaj nemojte upotrebljavati u prostorijama čiji je obujam manji od 40 m³.
- Ovaj uređaj nikada nemojte postavljati pokraj zapaljivih materijala (papira, suhog lišća, tekstila).
- Zapaljive predmete držite podalje od plamenika.
- Boce s ukalupljenim plinom **nikada** ne čuvajte u neprozračanim prostorima ni ispod zemlje (u rupama u obliku lijevka u zemlji).
- Spremnike za ukapljeni plin držite podalje od izravne sunčeve svjetlosti. Temperatura ne smije premašiti 50 °C.
- Nikada nemojte pokušavati otkrivati curenje iz uređaja otvorenim plamenom.
- Ako primijetite miris plina:
 - Zatvorite ventil za dovod plina i ventil na cilindru.
 - Nemojte pritisnuti električni prekidač.
 - Ugasite otvorene plamenove.
 - Zatražite stručnjaka da pregleda plinski sustav.
- Kada uređaj radi na plin, nemojte ga ostavljati bez nadzora.



POZOR! Nepoštivanje ovih uputa može dovesti do štete na uređaju.

Upotrebljavajte samo propan ili butan (ne prirodni plin).

Namjena

Pokretni rashladni uređaj namijenjen je upotrebi u kućanstvu te za slične primjene kao što su:

- Poljoprivredna gospodarstva
- Čajne kuhinje za osoblje u prodavaonicama, uredima i na drugim radnim mjestima
- Klijenti u hotelima, motelima i drugim tipovima smještajnih objekata
- objekti koji nude noćenje s doručkom
- priprema i dostava hrane te slične nemaloprodajne primjene

Uređaj je prikladan za sljedeće:

- Hlađenje i čuvanje hrane te čuvanje zamrznute hrane
- rad na istosmjernu struju, izmjeničnu struju ili plin

Uređaj **nije** prikladan za sljedeće:

- upotrebu kao ugradbeni uređaj
- upotrebu u visokim zgradama, prostorijama ispod zemlje, kupaonicama ni spavaćim sobama
- upotrebu u vozilima
- upotrebu u plovilima
- upotrebu u prostorijama čiji je obujam manji od 40 m³, npr. u prostoriji dimenzija 4 x 4 m i visine 2,50 m
- upotrebu u prostorima bez dovoljne ventilacije
U dobro prozračenim prostorijama zrak se izmjenjuje više od jedanput na sat, a prozori i vrata nisu hermetički zatvoreni. Prostorije moraju imati najmanje jedan prozor koji se može otvoriti ili vrata koja vode izravno prema van
- Čuvanje lijekova.
- čuvanje lužnatih tvari ili tvari koje sadržavaju otapala

Ovaj je proizvod prikladan samo za predviđenu namjenu i primjenu u skladu s ovim uputama.

Ove upute sadrže informacije neophodne za pravilnu instalaciju uređaja i/ili rukovanje njime. Loša instalacija i/ili nepravilan rad ili održavanje rezultat će nezadovoljavajućom uspješnošću i mogućim kvarom.

Proizvođač ne preuzima nikakvu odgovornost za bilo kakve ozljede ili oštećenja proizvoda koje nastanu kao rezultat:

- nepravilne montaže ili priključivanja, uključujući i previsok napon
- nepravilnog održavanja ili uporabe nekih drugih rezervnih dijelova osim originalnih rezervnih dijelova koje isporučuje proizvođač
- izmjena na proizvodu bez izričitog dopuštenja proizvođača
- uporabe u svrhe koje nisu opisane u ovim uputama

Dometic pridržava pravo na izmjene izgleda i specifikacija proizvoda.

Postavljanje i upotreba

Postupite kao što je prikazano od stranica 5 do stranica 13:

- Postavljanje uređaja: sl. **1**
- Priključivanje uređaja na istosmjerno napajanje: sl. **2**
- Priključivanje uređaja na izmjenično napajanje: sl. **3**
- Priključivanje uređaja na plin: sl. **4** – sl. **5**
- Uključivanje napajanja od 12 V: sl. **6**
- Uključivanje napajanja od 24 V: sl. **7**
- Uključivanje dovoda plina: sl. **8**
- Stavljanje hrane: sl. **9**
- Isključivanje uređaja: sl. **10**
- Zamjena filtra za plin: sl. **11**
- Zamjena akumulatora za paljenje: sl. **12**
- Čišćenje plamenika: sl. **13**

Jamstvo

Primjenjuje se zakonom propisano jamstveno razdoblje. Ako je proizvod neispravan, molimo obratite se trgovcu na malo ili podružnici proizvođača u vašoj državi (vidi dometic.com/dealer).

Za potrebe popravaka i obrade jamstva, pri slanju proizvoda priložite sljedeće dokumente:

- Presliku računa s datumom kupnje
- Razlog reklamacije ili opis kvara

Obratite pozornost da samostalni ili nestručni popravak može imati negativne posljedice na sigurnost i uzrokovati gubitak jamstva.

Odlaganje u otpad



UPOZORENJE! Opasnost da će djeca ostati zarobljena u uređaju

Ako stari uređaj odlažete na otpad, s njega skinite sva vratašca, a police ostavite u uređaju kako biste spriječili da se djeca slučajno zatvore i uguše u njemu.

Recikliranje ambalaže



- ▶ Odložite ambalažu u odgovarajuće kante za reciklažu otpada gdje god je to moguće.

Recikliranje proizvoda s nezamjenjivim baterijama, punjivim baterijama ili izvorima svjetla



- ▶ Ako proizvod sadrži nezamjenjive baterije, punjive baterije ili izvore svjetla, ne morate ih uklanjati prije odlaganja u otpad.



- ▶ Ako proizvod želite konačno odložiti u otpad, zatražite od svog lokalnog reciklažnog centra ili specijaliziranog trgovca pojedinosti o tomu kako to učiniti u skladu s primjenjivim propisima o odlaganju u otpad.
- ▶ Proizvod se može besplatno odložiti u otpad.

Bu ürünü doğru monte ettiğinizden ve ürünün daima kullanıma hazır olduğundan emin olmak için, lütfen tüm talimatları ve bu ürün kılavuzunda verilen kılavuzları ve uyarıları dikkatlice okuyunuz. Bu talimatlar bu üründe KALMALI-DIR.

Bu ürünü kullandığınızda tüm talimatları, kılavuzları ve uyarıları dikkatlice okuduğunuza ve anladığınıza ve hükümlere ve koşullara bu sözleşmede yer almıyormuş gibi uyacağınıza onay verirsiniz. Bu ürünü sadece amacına ve uygulamaya uygun ve talimatlara, kılavuzlara ve uyarılara uygun bu ürün kılavuzu ile geçerli yasalara ve yönetmeliklere uygun olarak kullanacağını kabul ediyorsunuz. Talimatların ve uyarıların burada verildiği gibi okunmaması veya bunlara uyulmaması sonucu kendiniz ve diğer insanlar yaralanabilir veya ürününüz veya yakınında bulunan diğer eşyalar hasar görebilir. Talimatlar, kılavuzlar ve uyarılar da dahil, bu ürün kılavuzu ve buna ait olan dokümanlarda değişiklikler ve güncellemeler yapılabilir. Güncel ürün bilgileri için, lütfen bakınız documents.dometic.com, dometic.com.

İlgili belgeler



Ayrıntılı kullanma kılavuzunu ve teknik verilerle ilgili bilgileri çevrimiçi olarak şu adreste bulabilirsiniz qr.dometic.com/bf5KY0.

Güvenlik uyarıları



UYARI!

Ayrıca, sayfa 3 ile sayfa 4 arasında verilen güvenlik talimatlarına da uyun.

Genel güvenlik



UYARI! Bu uyarılara uyulmaması can kaybı veya ağır yaralanmaya sebep olabilir.

Elektrik çarpması tehlikesi

- Cihazda gözle görülebilir hasar varsa cihazı çalıştırmayın.
- Cihazın AC güç kablosunda hasar varsa güvenlikle ilgili tehlikelerin önlenmesi için kablo, üretici, yetkili servis veya benzeri bir nitelikli kişi tarafından değiştirilmelidir.
- Bu cihazda sadece usta elemanlar tarafından onarım yapılmalıdır. Doğru yapılmayan onarımlar mühim tehlikelere sebep olabilir.

Patlama tehlikesi

Cihazın içinde, yanıcı itici gaz içeren sprey kutuları gibi patlayıcı maddeler saklamayın.

Yangın tehlikesi

Soğutucu akışkan devresindeki soğutucu akışkan son derece yanıcıdır. Soğutucu akışkan devresinde herhangi bir hasar olması durumunda (amonyak kokusu):

- Cihazı kapatın.
- Çıplak alevler ve kıvılcımlar oluşmasını önleyin.
- Mekanı iyi havalandırın.

Sağlık için tehlike

- Absorber ünitesini asla açmayın. Açıldığında, yüksek basınç yaranmalara neden olabilir.
- Bu cihaz 8 yaşından itibaren çocuklar le fiziksel, duyuşsal ve zihinsel engelli ve deneyimleri ile bilgileri olmayan kişiler tarafından sadece denetim altında veya cihazın güvenli olarak kullanılması ve oluşabilecek tehlikeleri anlamaları durumunda kullanılabilir.
- Çocuklar bu cihazla oynamamalıdır.
- Temizlik ve kullanıcı bakımı gözetimsiz olarak çocuklar tarafından yapılmamalıdır.
- 3 ile 8 yaş arası çocukların cihazları doldurmalarına ve boşaltmalarına izin verilir.

Çocuklar için sıkışma tehlikesi

- Rafaların, çocuklar kendilerini cihaza kilitlemeyecek şekilde monte edildiğinden ve sabitlendiğinden emin olun.
- Eski buzdolabınızı imha etmeden önce:
 - Çekmeceleri sökün.
 - Rafaları, çocukların içine tırmanmaması için buzdolabında bırakın.



DIKKAT! Bu ikazlara uyulmaması hafif veya orta derecede yaralanmaya sebep olabilir.

Yaralanma riski

- Parmaklarınızı menteşeye sokmayın.
- Açık cihaz kapağına yaslanmayın.



İKAZ! Bu talimatlara uyulmaması cihazda hasara sebep olabilir.

- Hasar tehlikesini önlemek için lamba sadece üretici, servis elemanı veya benzeri nitelikteki bir kişi tarafından değiştirilmelidir.
- Aracı temizlerken havalandırma ızgarasının yakınında yüksek basınçlı temizleyici kullanmayın.
- Araç dıştan temizlendikten sonra veya uzun süre kullanılmıyacaksa, havalandırma ızgarasının (aksesuar) kış kapaklarını takın.
- Cihaz yakıcı veya solvent içeren malzemeleri taşımak için uygun değildir.

- Cihazın yalıtımı tutuşabilen siklopentan içerir ve özel atık bertaraf prosedürlerine tabidir. Kullanım ömrünü tamamlayan cihaz uygun bir geri dönüşüm merkezine verilmelidir.
- Yoğuşma deliğini her zaman temiz tutun.
- Cihazı kesinlikle suya batırmayın.
- Cihazı ve kabloları, ısıya ve neme karşı koruyun.
- Bu cihaz yağmur altında bırakılmamalıdır.

Cihazı güvenli bir şekilde yerleştirme ve bağlama



UYARI! Bu uyarılara uyulmaması can kaybı veya ağır yaralanmaya sebep olabilir.

Yangın tehlikesi

- Taşıma sırasında cihaz devresinin hasar görmediğinden emin olun.
- Cihazı yerleştirilirken besleme kablosunun sıkışmamasına veya hasar görmemesine dikkat edilmelidir.
- Çoklu taşınabilen soket çıkışları veya taşınabilen güç kaynaklarını cihazın arkasına takmayın.



İKAZ! Bu talimatlara uyulmaması cihazda hasara sebep olabilir.

Aşırı ısınma tehlikesi

- Çalışma sırasında oluşan ısının dağılabilmesi için her zaman yeterli havalandırma sağlandığından emin olun. Hava sirkülasyonu için cihazın duvarlardan ve diğer nesnelere yeterince uzakta olduğundan emin olun.
- Soğutucu akışkanın düzgün bir şekilde dolaşmasını sağlamak için cihaz 3°'den fazla eğilmemelidir. Cihazın düz durduğundan emin olmak için su terazisi kullanın.
- Taşıma sırasında cihazı sadece cihazın gövdesinden tutun. Cihazı asla absorber ünitesinden, soğutma kanatçıklarından, gaz borularından, kapağından veya kumanda panelinden tutmayın.
- Isıtıcı pedi açık ateş veya diğer ısı kaynaklarının (ısıtıcılar, doğrudan güneş ışığı, gazlı fırın vb.) yakınında çalıştırmayın.
- Cihazı AC şebekeye bağlamak için sadece birlikte verilen AC bağlantı kablosunu kullanın.
- Aracınızın akü yönetiminin, aküyü korumak için cihazları kapatıp kapatmadığını araç üreticinize sorun.

- Cihazı uzun süre kullanmayacaksanız cihazın kapağını ve buz bölmesi kapağını kış konumuna getirin. Bu, küf oluşumunu engeller.

Cihazı çalıştırırken güvenlik



UYARI! Bu uyarılara uyulmaması can kaybı veya ağır yaralanmaya sebep olabilir.

Elektrik çarpması tehlikesi

- Cihazı çalıştırmadan önce besleme hattı ile fişinin kuru olduğundan emin olun.
- Cihazı güç kaynağından ayırın
 - Güç kaynağından
 - ayırın

Sağlık için tehlike

- Cihazın soğutma kapasitesinin soğutmak istediğiniz yiyeceğe uygun olup olmadığını lütfen kontrol edin.
- Cihazı yalnızca iyi havalandırılan yerlerde kullanın.
- Cihazı yalnızca tek bir enerji kaynağından çalıştırın.
- Yiyecekler sadece orijinal ambalajları veya uygun kaplar içinde saklanmalıdır.
- Cihaz kapağının uzun bir süre açık kalması, cihaz bölmelerinde sıcaklığın önemli oranda yükselmesine neden olabilir.
- Yiyecek maddeleri ve erişilebilen drenaj sistemlerine temas edebilecek yüzeyleri düzenli olarak temizleyin.
- Başka yiyecek maddelerine temas etmemeleri veya damlamamaları için çiğ et ve balıkları cihaz içindeki uygun kaplarda saklayın.
- Cihaz, +10 °C'nin altındaki oda sıcaklığına uzun süre maruz kalırsa buz bölmesinde sabit bir sıcaklık garanti edilemez. Bu, buz bölmesi sıcaklığının artmasına neden olabilir ve içinde saklanan ürünler çözülebilir.
- Cihaz uzun bir süre boş kalacaksa:
 - Cihazı kapatın.
 - Cihazın buzlarını çözün.
 - Cihazı temizleyin ve kurutun.
 - Cihazın içinde küf oluşmaması için kapağı açık bırakın.



DİKKAT! Bu ikazlara uyulmaması hafif veya orta derecede yaralanmaya sebep olabilir.

Yaralanma riski

- Bir seyahate başlamadan önce cihazın kapağını kapatın ve kilitleyin.
- Cihazın arka kısmında bulunan soğutma ünitesi çalışma esnasında çok ısınır. Havalandırma ızgaralarını çıkarırken sıcak parçalara temas etmekten kendinizi koruyun.



İKAZ! Bu talimatlara uyulmaması cihazda hasara sebep olabilir.

- Tip plakası üzerinde verilen gerilim değerinin enerji kaynağının değeri ile aynı olmasına dikkat edin.
- Cihazı sadece aşağıda belirtildiği gibi bağlayın:
 - DC priz: Sadece uygun kesite sahip kablolar kullanın.
 - AC priz: Sadece teslim edilen AC kablosunu kullanın
- Fişi prizden çıkartmak için asla kabloyu kullanmayın.
- Cihaz bir DC prize bağlıysa: DC ile çalıştırmayı (akü modu) yalnızca bir akü denetleyici kullanıyorsanız veya aracınızdaki alternatör yeterli voltaj sağlıyorsa seçin.
- Cihaz bir DC prize bağlıysa: Motoru kapattığınızda, cihazın güç bağlantısını ayırın veya cihazı kapatın. Aksi takdirde akü boşalabilir.
- Havalandırma deliklerinin kapalı olmadığından emin olun.
- Üretici tarafından önerilmedikçe cihazın içinde bu amaç için elektrikli cihazlar kullanmayın.
- İç kaba buz veya sıvı doldurmayın.
- Şişe veya teneke kutu gibi ağır nesnelere yalnızca cihaz kapağında, sebze bölmesinde veya alt rafta saklayın.

Gaz ile güvenli bir şekilde çalıştırma



UYARI! Bu uyarılara uyulmaması can kaybı veya ağır yaralanmaya sebep olabilir.

Patlama tehlikesi

- Cihazı yalnızca tip plakasında belirtilen basınçta çalıştırın. Sadece ulusal yönetmeliklere uygun sabit ayarlı basınç regülatörleri kullanın. DIN EN 16129 standardına uygun sabit ayarlı basınç regülatörü kullanın.

Oksijensiz kalma rizikosu

- Cihazın havalandırılmayan bir alanda gazla çalıştırılması, ilgili alandaki oksijen miktarını azaltır.
- Cihazı kapalı mekanlar, çadırlar, motorlu araçlar, karavanlar, motorlu karavanlar, gemiler, yatlar, tekneler ve kamyon kabinleri gibi havalandırılmayan alanlarda gaz ile çalıştırmayın.
- Cihazı 40 m³'ten küçük odalarda çalıştırmayın.
- Cihazı asla yanıcı maddelerin (kağıt, kuru yapraklar, kumaşlar) yakınına koymayın.
- Yanıcı nesnelere ocak gözlemlerinden uzak tutun.
- Sıvı gaz tüplerini **asla** havalandırılmayan alanlarda veya yer seviyesinin altında (yerdeki huni şeklindeki delikler) saklamayın.
- Sıvı gaz tüplerini doğrudan güneş ışığından uzak tutun. Sıcaklık 50 °C'yi geçmemelidir.
- Cihazda sızıntı olup olmadığını kontrol etmek için asla çıplak alev kullanmayın.
- Gaz kokusu alırsanız:
 - Gaz besleme vanasını ve tüpün üzerindeki valfi kapatın.
 - Elektrik anahtarına basmayın.
 - Çıplak alevleri söndürün.
 - Gaz sistemini bir uzmana kontrol ettirin.
- Gaz modundayken cihazın gözetimsiz çalışmasına izin vermeyin.



İKAZ! Bu talimatlara uyulmaması cihazda hasara sebep olabilir.

Sadece propan veya bütan gazı kullanın (doğal gaz kullanmayın).

Amacına Uygun Kullanım

Mobil soğutma cihazı evde ve aşağıdaki benzer uygulamalarda kullanılmak üzere tasarlanmıştır:

- Çiftlik evleri
- Mağaza, ofis ve diğer çalışma ortamlarındaki personel mutfak alanları
- Oteller, moteller ve diğer konut tipi ortamlarda
- Oda kahvaltı tipi konaklama birimleri
- Catering ve benzeri perakende dışı uygulamalar

Cihaz şunlar için uygundur:

- Gıdaların soğutulması ve saklanması yanı sıra dondurulmuş gıdaların saklanması
- DC güç, AC güç veya gaz ile çalıştırma

Cihaz aşağıdakiler için uygun **değildir**:

- Ankastre cihaz olarak kullanım
- Yüksek binalarda, zemin seviyesinin altındaki odalarda, banyolarda ve yatak odalarında kullanım
- Araçlarda kullanım
- Teknelerde kullanım
- Hacmi 40 m³'ten küçük odalarda kullanım, örn. tavan yüksekliği 2,50 m olan 4 x 4 m oda
- İyi havalandırılmayan alanlarda kullanım
İyi havalandırılan odalar, saatte birden fazla hava değişimi olan, pencereleri ve kapıları tamamen sızdırmaz olmayan odalardır. Odalarda açılabilen en az bir pencere veya doğrudan dışarı açılan bir kapı bulunmalıdır
- İlaçların saklanması.
- Yakıcı veya solvent içeren maddelerin saklanması

Bu ürün sadece amacına uygun ve bu talimata göre kullanılmalıdır.

Bu kılavuzda cihazın doğru olarak monte edilmesi ve/veya kullanılması için gerekli bilgiler verilmektedir. Doğru yapılmayan montaj veya bakım performansının yetersiz olmasına ve olası bozukluklara neden olabilir.

Üretici, aşağıdaki durumların neden olduğu yaralanmalardan veya ürün hasarlarından sorumlu değildir:

- Yanlış montaj veya bağlantı ve aşırı voltaj

- Yanlış bakım veya üretici tarafından sağlanan orijinal yedek parçalardan başka yedek parçalar kullanılması
- Üreticisinden açıkça izin almadan cihazda değişiklikler yapılması
- Bu kılavuzda tanımlananların dışında bir amaçlar için kullanıldığında

Dometic ürünün görünümünde ve ürün özelliklerinde değişiklik yapma hakkını saklı tutar.

Kurulum ve çalıştırma

sayfa 5 ila sayfa 13 arasında gösterildiği gibi ilerleyin:

- Cihazın yerleştirilmesi: şekil **1**
- Cihazın DC güce bağlanması: şekil **2**
- Cihazın AC güce bağlanması: şekil **3**
- Cihazın gaza bağlanması: şekil **4** – şekil **5**
- 12 V güç kaynağını açma: şekil **6**
- 24 V güç kaynağını açma: şekil **7**
- Gaz kaynağını açma: şekil **8**
- Gıda maddelerinin yerleştirilmesi: şekil **9**
- Cihazın kapatılması: şekil **10**
- Gaz filtresinin değiştirilmesi: şekil **11**
- Ateşleme pilinin değiştirilmesi: şekil **12**
- Brülörün temizlenmesi: şekil **13**

Garanti

Yasal garanti süresi geçerlidir. Ürün kusurluysa lütfen satıcınızla veya üreticinin ülkenizdeki şubesiyle iletişime geçin (bkz. dometic.com/dealer).

Onarım ve garanti işlemleri için, ürünü aşağıdaki dokümanlarla birlikte gönderin:

- Satın alma tarihini içeren faturanın bir kopyası
- Talebinizin nedeni veya hatanın açıklanması

Kendi kendine onarımın veya profesyonel olmayan onarımın güvenlikle ilgili sonuçları olabileceğini ve garantiyi geçersiz kılabileceğini unutmayın.

Atık İmhası



UYARI! Çocuklar için sıkışma tehlikesi

Eski cihazın bertaraf edilmesi için tüm cihaz kapaklarını sökün ve çocukların kazara içinde kalmasını ve boğulmayı önlemek için rafları cihazın içinde bırakın.

Ambalaj malzemesi geri dönüşümü



- Ambalaj malzemesini mümkünse ilgili geri dönüşüm atık sistemine kazandırın.

Şarj edilmeyen piller, bataryalar veya ışık kaynakları içeren ürünlerin geri dönüşümü



- Ürün şarj edilmeyen piller, bataryalar veya ışık kaynakları içeriyorsa, bunları imhadan önce çıkarmanıza gerek yoktur.



- Bu ürünü nihai olarak imha etmek istiyorsanız, bu işlemin geçerli imha yönetmeliklerine göre nasıl yapılacağı hakkında ayrıntılı bilgi için yerel geri dönüşüm merkezine veya uzman satıcınıza danışın.



- Ürün ücretsiz olarak imha edilebilir.

Pozorno preberite in upoštevajte vsa navodila, smernice in opozorila iz tega priročnika, da zagotovite pravilno vgradnjo, uporabo in vzdrževanje izdelka. Ta navodila je TREBA hraniti skupaj z izdelkom.

Z uporabo izdelka potrjujete, da ste pozorno prebrali vsa navodila, smernice in opozorila ter razumete in upoštevate vsa določila ter pogoje v tem dokumentu. Strinjate se, da boste izdelek uporabljali samo za predvideni namen uporabe in v skladu z navodili, smernicami in opozorili in v tem priročniku ter v skladu z vsemi veljavnimi zakoni in predpisi. Če navodil in opozoril v nadaljevanju ne preberete in ne upoštevate, lahko poškodujete sebe in druge, svoj izdelek ali povzročite materialno škodo v bližini. Pridržujemo si pravico do sprememb in posodobitev priročnika, vključno z navodili, smernicami in opozorili ter povezano dokumentacijo. Za najnovejše informacije o izdelku obiščite documents.dometic.com, dometic.com.

Povezana dokumentacija



Podrobna navodila za uporabo in informacije o tehničnih podatkih najdete na spletu na naslovu qr.dometic.com/bf5KY0.

Varnostni napotki



OPOZORILO!

Upoštevajte tudi varnostna navodila na stran 3 do stran 4.

Osnovna varnost



OPOZORILO! Neupoštevanje teh opozoril lahko povzroči smrt ali hude poškodbe.

Nevarnost električnega udara

- Če na napravi opazite vidne znake poškodb, je ne uporabljajte.
- Če je napajalni kabel za izmenični tok te naprave poškodovan, ga mora zamenjati proizvajalec, njegova servisna služba oziroma ustrezno usposobljena oseba ali služba. V nasprotnem primeru obstaja nevarnost za uporabnika.
- Vsa popravila na tej napravi naj izvaja samo ustrezno usposobljeno osebje. Nepravilna popravila lahko povzročijo velika tveganja.

Nevarnost eksplozije

V napravi ne hranite eksplozivnih snovi, kot so razpršilniki z vnetljivim potisnim plinom.

Nevarnost požara

Hladilno sredstvo v hladilnem krogotoku je zelo vnetljivo. Če se hladilni krogotok poškoduje (vonj amoniaka):

- Izklopite napravo.
- Ne izpostavljajte odprtemu ognju in iskrenju.
- Prostor dobro prezračite.

Nevarnost za zdravlje

- Nikoli ne odpirajte absorpcijskega agregata. Je pod visokim tlakom in vas lahko poškoduje, če ga odprete.
- To napravo smejo uporabljati otroci, ki so starejši od 8 let, in osebe z zmanjšanimi fizičnimi, zaznavnimi ali duševnimi sposobnostmi ali s pomanjkljivimi izkušnjami in znanjem, če so nadzorovani ali so prejeli navodila glede varne uporabe naprave in razumejo s tem povezana tveganja.
- Otroci se z napravo ne smejo igrati.
- Otroci ne smejo brez nadzora izvajati čiščenja in vzdrževalnih del.
- Otroci, ki so stari od 3 do 8 let, smejo hladilne naprave polniti in prazniti.

Nevarnost ujetja otroka

- Prepričajte se, da so police nameščene in zavarovane, da se otroci ne bodo mogli zapreti v napravo.
- Preden odstranite svoj stari hladilnik:
 - Odstranite predale.
 - Police pustite v hladilniku, da otroci ne bodo mogli zloriti v hladilnik.



POZOR! Neupoštevanje teh svaril lahko povzroči lažje ali srednje poškodbe.

Nevarnost poškodb

- Ne potiskajte prstov v tečaj.
- Ne opirajte se na odprta vrata naprave.



OBVESTILO! Neupoštevanje teh navodil lahko morda povzroči poškodbe naprave.

- Lučko lahko zamenja samo proizvajalec, serviser ali podobno usposobljena oseba, s čimer preprečite morebitne nevarnosti.
- Pri čiščenju vozila v območju prezračevalne mreže ne uporabljajte visokotlačnega čistilnika z vodo.
- Zimske pokrove namestite na prezračevalno rešetko (dodatna oprema), ko vozilo čistite od zunaj ali ko vozila dlje časa ne uporabljate.
- Naprava ni primerna za transport jedkih snovi ali snovi, ki vsebujejo topila.
- Izolacija naprave vsebuje vnetljiv ciklopentan, zato je za odstranjevanje treba upoštevati posebne postopke. Napravo po koncu življenjske dobe predajte ustreznemu zbirnemu centru.
- Kondenzacijska odprtina mora biti vedno čista.

- Naprave ne namakajte v vodo.
- Napravo in kable zaščitite pred vročino in vlago.
- Naprava ne sme biti izpostavljena dežju.

Varnost pri delovanju naprave



OPOZORILO! Neupoštevanje teh opozoril lahko povzroči smrt ali hude poškodbe.

Varna namestitvev in priključitev naprave



OPOZORILO! Neupoštevanje teh opozoril lahko povzroči smrt ali hude poškodbe.

Nevarnost požara

- Med prevozom pazite, da ne boste poškodovali krogotoka naprave.
- Pri nameščanju naprave bodite pozorni, da napajalnega kabla ne boste zagostili ali poškodovali.
- Za napravo ne sme biti več prenosnih vtičnic ali prenosnih virov napajanja.



OBVESTILO! Neupoštevanje teh navodil lahko morda povzroči poškodbe naprave.

Nevarnost pregrevanja

- Vedno poskrbite, da se toplota, ki se sprošča med delovanjem, zadostno odvaja. Poskrbite, da bo razmik med napravo in sosednjimi stenami ali predmeti zadoščal za ustrezno kroženje zraka.
- Da bi zagotovili pravilno kroženje hladilnega sredstva, naprave ne smete nagniti za več kot 3°. Z libelo preverite izravnano naprave.
- Napravo med transportom primite le za korpus naprave. Naprave nikoli ne prijemajte za absorpcijski agregat, hladilna rebra, plinske vode, vrata ali upravljalno ploščo.
- Naprave ne odlagajte v bližino odprtega ognja ali drugih toplotnih virov (grelcev, plinskih peči itd.).
- Napravo priključite v vtičnico izmeničnega toka le s pripadajočim priključnim kablom za izmenični tok.
- Obrnite se na proizvajalca vašega vozila, če sistem za nadzor akumulatorja izklopi naprave, da bi zaščitil akumulator.
- Vrata naprave in zamrzovalnika odprite v položaj za zimo, če naprave dlje časa ne boste uporabljali. Tako preprečite nastanek plesni.

Nevarnost električnega udara

- Pred vklopom naprave vedno preverite, ali sta vtič in priključni kabel suha.
- Napravo odklopite iz napajanja
 - pred vsakim čiščenjem in vzdrževanjem
 - po vsaki uporabi

Nevarnost za zdravje

- Preverite, ali hladilna moč naprave zadostuje zahtevam glede shranjevanja posameznih živil, ki jih želite hraniti na hladnem.
- Napravo uporabljajte samo, če je zagotovljeno dobro prezračevanje.
- Za napajanje naprave uporabite samo en vir energije.
- Živila je dovoljeno shranjevati samo v originalni embalaži oziroma v ustreznih posodah.
- Če je naprava dlje časa odprta, lahko zaradi tega temperatura v notranjosti naprave zelo naraste.
- Redno čistite površine, ki lahko pridejo v stik z živili, in dostopne odtočne sisteme.
- Surovo meso in ribe v napravi hranite v primernih posodah, da ne bodo v stiku z drugimi živili ali nanje ne bodo kapljali.
- Če je naprava dlje časa izpostavljena temperaturi prostora pod +10 °C, ni mogoče zagotoviti enakomernega uravnavanja temperature v zamrzovalnem predalu. Zato lahko pride do dviga temperature v zamrzovalnem predelu, shranjena živila pa se lahko odtalijo.
- Če bo naprava dlje časa prazna:
 - Izklopite napravo.
 - Odtalite napravo.
 - Očistite in posušite napravo.
 - Pustite vrata odprta in tako preprečite, da bi v napravi nastajala plesen.



POZOR! Neupoštevanje teh svaril lahko povzroči lažje ali srednje poškodbe.

Nevarnost poškodb

- Preden se odpravite na pot, zaprite in zapahnite vrata naprave.
- Hladilni agregat na hrbtini strani naprave se med delovanjem zelo segreje. Ko snemate prezračevalno mrežo, se zaščitite, da ne pridete v stik z vročimi deli.



OBVESTILO! Neupoštevanje teh navodil lahko morda povzroči poškodbe naprave.

- Preverite, ali se podatki o napetosti na tipski ploščici ujemajo z vrednostmi, ki veljajo za dovajanje energije v aparat.
- Napravo priključite samo na naslednji način:
 - Vtičnica na enosmerni tok: Uporabite le kabel s primernim presekom.
 - Vtičnica na izmenični tok: Uporabite samo priložen kabel za izmenični tok
- Vtiča iz vtičnice nikoli ne vlecite tako, da držite za kabel.
- Če je naprava priključena na vtičnico na enosmerni tok: Obratovanje z enosmernim tokom (preko akumulatorja) izberite le, če uporabite nadzornik akumulatorja ali če generator vozila dobavlja zadostno napetost.
- Če je naprava priključena na vtičnico na enosmerni tok: Odklopite napravo ali jo izklopite, ko izklopite motor. V nasprotnem primeru se lahko izprazni akumulator vozila.
- Prezračevalne odprtine ne smejo biti pokrite.
- Znotraj naprave ne uporabljajte električnih naprav, razen če te električne naprave priporoča proizvajalec.
- V notranjo posodo ne nalivajte tekočin in v njej ne shranjujte ledu.
- Težke predmete, kot so steklenice ali pločevinke, hranite izključno v vratih naprave, v predalu za zelenjavo ali na spodnji polici.

Varno delovanje na plin



OPOZORILO! Neupoštevanje teh opozoril lahko povzroči smrt ali hude poškodbe.

Nevarnost eksplozije

- Naprava sme obratovati izključno s tlakom, ki je naveden na tipski tablici. Uporabljajte samo fiksno nastavljene regulatorje tlaka, ki ustrezajo nacionalnim predpisom. Uporabljate samo regulator tlaka s fiksno nastavitvijo v skladu s standardom DIN EN 16129.

Nevarnost zadušitve

- Delovanje naprave s plinom v neprežračenem območju bo zmanjšalo količino kisika v tem območju.
- Naprave ne uporabljajte s plinom v neprežračenih območjih, kot so zaprti prostori, šotori, motorna vozila, avtodomi, prikolice, čolni, jahte, ladje in kabine tovornjaka.
- Naprave ne uporabljajte v prostorih, manjših od 40 m³.
- Naprave ne približujte vnetljivim materialom (papirju, suhim listom, tekstilu).
- Vnetljive predmete hranite v stran od gorilnika.
- Jeklenk z utekočinjenim plinom **nikoli** ne hranite na neprežračenih mestih ali pod nivojem tal (lijakaste kotanje).
- Jeklenke z utekočinjenim plinom zaščitite pred neposredno sončno svetlobo. Temperatura ne sme preseči 50 °C.
- Tesnjenja naprave nikoli ne preverjajte z odprtim ognjem.
- Če zavohate plin:
 - Zaprite zaporni ventil dotoka plina in ventil na jeklenki.
 - Ne aktivirajte električnih stikal.
 - Pogasite morebiten odprti ogenj.
 - Plinsko napeljavo naj pregleda strokovnjak.
- Ko naprava deluje s plinom, je med delovanjem ne puščajte brez nadzora.



OBVESTILO! Neupoštevanje teh navodil lahko morda povzroči poškodbe naprave.

Uporabite le plin propan ali butan (ne zemeljskega plina).

Predvidena uporaba

Premični hladilni aparat je predviden za uporabo v gospodinjstvu in za podobne namene, kot na primer:

- na kmetijah,
- v kuhinjah za zaposlene v prodajalnah, pisarnah in drugih poslovnih okoljih,
- za goste v hotelih, motelih in drugih oblikah nastanitve,
- penzione,
- gostinske storitve in druge podobne netržne uporabe.

Ta naprava je primerna za:

- hlajenje in shranjevanje hrane ter shranjevanje zamrznjene hrane,
- delovanje na enosmerni tok, izmenični tok ali plin.

Ta naprava **ni** primerna za:

- uporabo kot vgradni aparat,
- uporabo v visokih stavbah, podzemnih prostorih, kopalnicah in spalnicah,
- uporabo v vozilih,
- uporabo v plovilih,
- uporabo v prostorih, manjših od 40 m³, tj. v prostorih, manjših od npr. 4 x 4 m in visokih 2,50 m,
- uporabo na slabo prezračevanih območjih,
V dobro prezračevanih prostorih se zrak zamenja več kot enkrat na uro in nimajo tesno zatesnjenih oken in vrat. Prostorji morajo imeti vsaj eno okno, ki ga je mogoče odpreti, in vrata, ki vodijo neposredno na prosto.
- shranjevanje zdravil,
- shranjevanje jedkih snovi ali snovi, ki vsebujejo topila.

Ta izdelek je primeren samo za predvideni namen in uporabo v skladu s temi navodili.

V tem priročniku so navedene informacije, ki jih je treba upoštevati za pravilno vgradnjo in/ali delovanje naprave. Aparat zaradi slabe vgradnje in/ali nepravilne uporabe oziroma vzdrževanja ne bo dobro deloval in se lahko pokvari.

Proizvajalec ne sprejema nobene odgovornosti za telesne poškodbe ali poškodbe izdelka, do katerih pride zaradi:

- napačne vgradnje ali priklopa oziroma neustrezne napetosti;
- neustreznih vzdrževalnih del ali uporabe neoriginalnih nadomestnih delov, ki jih ni dobavil proizvajalec;
- sprememb izdelka brez izrecnega dovoljenja proizvajalca;
- uporabe za namene, ki niso opisani v navodilih.

Družba Dometic si pridržuje pravico do spremembe videza in specifikacij izdelka.

Nastavitve in delovanje

Upoštevajte navodila, prikazana na stran 5 do stran 13:

- Nameščanje naprave: sl. **1**
- Priključitev naprave na enosmerno napetost: sl. **2**
- Priključitev naprave na izmenično napetost: sl. **3**
- Priključitev naprave na plin:: sl. **4** – sl. **5**
- Vklop napajanja 12 V: sl. **6**
- Vklop napajanja 24 V: sl. **7**
- Vklop plina: sl. **8**
- Vstavljanje živil: sl. **9**
- Izklop naprave: sl. **10**
- Zamenjava plinskega filtra: sl. **11**
- Zamenjava baterije za vžig: sl. **12**
- Čiščenje gorilnika: sl. **13**

Garancija

Velja zakonsko določen garancijski rok. Če je izdelek pokvarjen, se obrnite na svojega trgovca ali podružnico proizvajalca v svoji državi (glejte dometic.com/dealer).

Za obravnavanje zahtevkov popravil oz. garancijskih zahtevkov morate skupaj z izdelkom poslati naslednjo dokumentacijo:

- Kopijo računa z datumom nakupa
- Razlog za reklamacijo ali opis napake

Upoštevajte, da lahko imajo lastnoročna ali neprofesionalna popravila varnostne posledice in lahko razveljavijo garancijo.

Odstranjevanje



OPOZORILO! Nevarnost ujetja otroka

Preden staro napravo odstranite med odpadke, demontirajte vsa vrata naprave, ne odstranite polic, da preprečite nenamerno zapiranje in zadušitev otrok.

Recikliranje embalažnega materiala



- ▶ Embalažni material odstranite v primerne zabojnike za recikliranje odpadkov, če je to mogoče.

Recikliranje izdelkov z vgrajenimi baterijami, baterijami za ponovno polnjenje ali svetlobnimi viri



- ▶ Če ima izdelek vgrajene baterije, baterije za ponovno polnjenje ali svetlobne vire, jih pred odstranjevanjem ni treba odstraniti.



- ▶ Ko boste želeli izdelek dokončno odstraniti, se o odstranjevanju v skladu z veljavnimi predpisi pozanimajte pri lokalnem centru za zbiranje odpadkov ali specializiranem prodajalcu.
- ▶ Izdelek je mogoče brezplačno odstraniti.

Citiți cu atenție și respectați toate instrucțiunile, indicațiile și avertismentele incluse în acest manual al produsului pentru a vă asigura că instalați, utilizați și întrețineți corect produsul în permanență. Aceste instrucțiuni **TREBUIE** păstrate împreună cu produsul.

Prin utilizarea produsului, confirmați că ați citit cu atenție toate instrucțiunile, indicațiile și avertismentele și că înțelegeți și sunteți de acord să respectați termenii și condițiile stabilite. Sunteți de acord să utilizați acest produs numai pentru scopul și aplicația prevăzute și în conformitate cu instrucțiunile, indicațiile și avertismentele prezentate în acest manual al produsului, precum și în conformitate cu toate legile și reglementările aplicabile. Nerespectarea instrucțiunilor și avertismentelor prezentate aici poate duce la vătămarea personală a utilizatorului sau a altora, la deteriorarea produsului sau a altor bunuri din apropiere. Acest manual al produsului, inclusiv instrucțiunile, indicațiile și avertismentele și documentația aferentă pot fi supuse modificărilor și actualizărilor. Pentru informații actualizate despre produs, vizitați documents.dometic.com, dometic.com.

Documente asociate



Puteți găsi manualul de utilizare detaliat și informații despre datele tehnice online la qr.dometic.com/bf5KY0.

Instrucțiuni de siguranță



AVERTIZARE!

De asemenea, respectați instrucțiunile de siguranță de la pagină 3 până la pagină 4.

Informații generale de siguranță



AVERTIZARE! Nerespectarea acestor avertismente poate conduce la moarte sau vătămări grave.

Pericol de electrocutare

- În cazul în care prezintă defecțiuni vizibile, nu este permisă punerea aparatului acestuia în funcțiune.
- În cazul în care cablul de alimentare c.a. al dispozitivului este deteriorat, acesta trebuie să fie înlocuit de către producător, serviciul pentru clienți sau de o persoană calificată pentru a preveni pericolele de siguranță.
- Lucrările de reparație la nivelul acestui aparat pot fi efectuate exclusiv de către specialiști. Reparațiile necorespunzătoare pot duce la riscuri considerabile.

Pericol de explozie

Nu depozitați în dispozitiv substanțe cu capacitate de explozie, ca de exemplu spray-uri cu agent propulsor inflamabil.

Pericol de incendiu

Agentul frigorific din circuitul frigorific este extrem de inflamabil. În caz de deteriorare a circuitului frigorific (miros de amoniac):

- Opriți aparatul.
- Evitați flăcările deschise și scânteile.
- Aerisiți bine camera.

Pericol pentru sănătate

- Nu deschideți niciodată unitatea absorbantă. Este sub presiune ridicată și poate provoca răni dacă este deschisă.
- Acest aparat poate fi utilizat de copii cu vârsta de peste 8 ani și de către persoane cu capacități fizice, senzoriale sau mentale reduse sau de către persoane lipsite de experiență și cunoștințe dacă acestea au fost supravegheate și instruite cu privire la utilizarea aparatului în condiții de siguranță și înțeleg riscurile pe care le implică.
- Copii nu au voie să se joace cu aparatul.
- Curățarea și operațiunile de întreținere nu trebuie efectuate de copii fără supraveghere.
- Copiilor cu vârste cuprinse între 3 și 8 ani li se permite să încarce și să descarce dispozitive.

Risc de blocare a copilului

- Aveți grijă ca sertarele să fie montate și fixate astfel încât copiii să nu se poată bloca în dispozitiv.
- Înainte de a arunca frigiderul vechi:
 - Demontați sertarele.
 - Lăsați rafturile în frigider astfel încât copiii să nu se poată urca înăuntru.



PRECAUȚIE! Nerespectarea acestor precauții poate conduce la vătămări minore sau moderate.

Risc de vătămare

- Nu introduceți degetele în balama.
- Nu vă sprijiniți de ușa deschisă a dispozitivului.



ATENȚIE! Nerespectarea acestor instrucțiuni poate duce la deteriorarea dispozitivului.

- Lampa poate fi înlocuită doar de producător, un agent de service sau o persoană calificată similar, pentru a evita pericolele.
- Nu folosiți un aparat de curățat de înaltă presiune în apropierea grilei de aerisire în timpul curățării vehiculului.
- Atașați capacele de iarnă ale grilei de aerisire (accesorii) atunci când curățați exteriorul vehiculului sau atunci când nu îl utilizați o perioadă îndelungată.
- Dispozitivul nu este adecvat pentru transportarea materialelor caustice sau a materialelor care conțin solvenți.
- Izolația dispozitivului conține ciclopentan inflamabil și necesită proceduri speciale de eliminare. La sfârșitul ciclului său de viață, duceți dispozitivul la un centru de reciclare adecvat.
- Păstrați orificiul pentru condens curat în permanență.
- Nu imersați niciodată aparatul în apă.
- Protejați dispozitivul și cablurile împotriva căldurii și a umezelii.
- Dispozitivul nu trebuie expus la ploaie.

Amplasarea și conectarea în siguranță a dispozitivului



AVERTIZARE! Nerespectarea acestor avertismente poate conduce la moarte sau vătămări grave.

Pericol de incendiu

- Asigurați-vă că circuitul dispozitivului nu este deteriorat în timpul transportului.
- Când poziționați dispozitivul, asigurați-vă că cablul de alimentare nu este prins sau deteriorat.
- Nu dispuneți mai multe prize portabile sau surse de alimentare portabile în partea din spate a dispozitivului.



ATENȚIE! Nerespectarea acestor instrucțiuni poate duce la deteriorarea dispozitivului.

Pericol de supraîncălzire

- Aveți în vedere ca, căldura formată în timpul funcționării să poată fi disipată suficient. Asigurați-vă că aparatul este suficient de departe de pereți și de alte obiecte, astfel încât aerul să poată circula.
- Pentru ca agentul frigorific să poată circula corespunzător, dispozitivul nu trebuie să depășească o înclinare de 3°. Folosiți o nivelă cu bulă pentru a vă asigura că dispozitivul este plan.
- Țineți dispozitivul numai de corpul acestuia în timpul transportului. Nu țineți niciodată dispozitivul de unitatea de absorbție, aripioarele de răcire, conductele de gaz, ușa sau panoul de comandă.
- Nu așezați aparatul în apropierea surselor deschise de flăcări sau a altor surse de căldură (sistem de încălzire, radiație solară puternică, cuptoare pe gaz etc.).
- Racordați dispozitivul la rețeaua electrică de alimentare numai cu cablul de racord furnizat.
- Întrebați producătorul vehiculului dvs. dacă sistemul de gestionare al bateriei vehiculului dvs. oprește dispozitivele pentru a proteja bateria.
- Puneți ușa dispozitivului și ușa compartimentului de gheață în poziția de iarnă, dacă nu veți folosi dispozitivul o perioadă mai lungă. Acest lucru previne formarea mușgaiului.

Securitatea la exploatarea aparatului



AVERTIZARE! Nerespectarea acestor avertismente poate conduce la moarte sau vătămări grave.

Pericol de electrocutare

- Înainte de a porni aparatul, asigurați-vă că linia de alimentare și ștecherul sunt uscate.
- Deconectați dispozitivul de la sursa de alimentare
 - înainte de fiecare curățare și întreținere
 - după fiecare utilizare

Pericol pentru sănătate

- Vă rugăm verificați dacă puterea de răcire a aparatului corespunde cerințelor alimentelor pe care doriți să le răciți.
- Exploatați aparatul numai în locuri bine aerisite.
- Exploatați dispozitivul numai cu o singură sursă de energie.
- Depozitarea alimentelor este permisă numai în ambalaje originale sau în recipiente adecvate.
- Deschiderea dispozitivului pentru perioade lungi de timp poate duce la o creștere semnificativă a temperaturii în compartimentele dispozitivului.
- Curățați periodic suprafețele care pot intra în contact cu produsele alimentare și sistemele de drenaj accesibile.
- Păstrați carnea crudă și peștele crud în recipiente adecvate în aparat, astfel încât să nu fie în contact sau poate să picure pe alte produse alimentare.
- Dacă dispozitivul este expus unei temperaturi a încăperii sub +10 °C pentru o perioadă prelungită, nu poate fi garantată o temperatură constantă în compartimentul de gheață. Acest lucru poate duce la creșterea temperaturii în compartimentul de gheață, iar produsele depozitate în acesta s-ar putea decongela.
- Dacă aparatul este lăsat gol pentru perioade lungi:
 - Opriți aparatul.
 - Dezghețați aparatul.
 - Curățați și uscați aparatul.
 - Lăsați ușa deschisă pentru a preveni formarea mușchizării în dispozitiv.



PRECAUȚIE! Nerespectarea acestor precauții poate conduce la vătămări minore sau moderate.

Risc de vătămare

- Închideți și blocați ușa dispozitivului înainte de a porni în călătorie.
- Agregatul de răcire din spatele dispozitivului se încinge în timpul funcționării. Protejați-vă de contactul cu piesele fierbinți la îndepărtarea grilelor de aerisire.



ATENȚIE! Nerespectarea acestor instrucțiuni poate duce la deteriorarea dispozitivului.

- Verificați dacă specificația de tensiune de pe placa de identificare corespunde cu cea a sursei de alimentare.
- Conectați dispozitivul numai după cum urmează:
 - Priză c.c.: Utilizați numai cabluri cu secțiune transversală corespunzătoare.
 - Priză c.a.: Utilizați numai cablul c.a. furnizat
- Nu scoateți niciodată ștecherul din priză ținând de cablu.
- Dacă dispozitivul este conectat la o priză c.c: Alegeți exploatarea c.c. (mod baterie) numai dacă folosiți un monitor de baterie sau dacă alternatorul vehiculului dvs. asigură o tensiune suficientă.
- Dacă dispozitivul este conectat la o priză c.c: Deconectați dispozitivul sau opriți-l când opriți motorul. În caz contrar, puteți descărca bateria.
- Asigurați-vă că orificiile de ventilație nu sunt acoperite.
- Nu utilizați dispozitive electrice în interiorul dispozitivului decât dacă sunt recomandate de producător în acel scop.
- Nu umpleți recipientul interior cu gheață sau lichide.
- Depozitați obiecte grele, cum ar fi sticle sau cutii, doar pe ușa dispozitivului, în compartimentul pentru legume sau pe raftul inferior.

Exploatare cu gaz în siguranță



AVERTIZARE! Nerespectarea acestor avertismente poate conduce la moarte sau vătămări grave.

Pericol de explozie

- Exploatați dispozitivul numai la presiunea indicată pe eticheta de tip. Folosiți numai regulatoare de presiune cu setare fixă care respectă reglementările naționale. Folosiți un regulator de presiune cu setare fixă în conformitate cu DIN EN 16129.

Risc de asfixiere

- Exploatarea aparatului într-o zonă neaerisită provoacă lipsă de oxigen.

- Nu exploatați dispozitivul cu gaz în zone neaerisite precum spații închise, corturi, autovehicule, autorulote, rulote, nave, yah-turi, ambarcațiuni și cabine de camion.
- Nu exploatați dispozitivul în încăperi cu un volum mai mic de 40 m³.
- Nu amplasați niciodată dispozitivul în apropiere de materiale inflamabile (hârtie, frunze uscate, textile).
- Țineți obiectele inflamabile departe de arzător.
- Nu depozitați **niciodată** buteliile de gaz lichefiat în locuri neaerisite sau sub nivelul solului (benă de pământ în formă de pânză).
- Protejați sticlele cu gaz lichefiat de radiația solară directă. Temperatura nu trebuie să depășească 50 °C.
- Nu folosiți niciodată o flacără deschisă pentru a verifica dacă dispozitivul prezintă scurgeri.
- Dacă simțiți miros de gaz:
 - Închideți robinetul de la alimentarea cu gaz și supapa buteliei.
 - Nu acționați niciun comutator electric.
 - Stingeți orice flăcări deschise.
 - Solicitați verificarea instalației de gaz unui atelier de specialitate.
- Nu lăsați dispozitivul în funcțiune nesupravegheat atunci când se află în modul cu gaz.



ATENȚIE! Nerespectarea acestor instrucțiuni poate duce la deteriorarea dispozitivului.

Utilizați numai propan sau butan (nu gaz natural).

Domeniul de utilizare

Aparatul frigorific mobil este destinat utilizării în aplicații de uz casnic și similare, cum ar fi:

- Case de la fermă
- Spații de bucătărie pentru personal în magazine, birouri și alte medii de lucru
- Clienții din hoteluri, moteluri și alte medii de tip rezidențial
- Spații de cazare economice
- Catering și domenii similare fără vânzare cu amănuntul

Dispozitivul este adecvat pentru:

- răcirea și depozitarea alimentelor, precum și depozitarea alimentelor congelate
- funcționare cu alimentare c.c., alimentare c.a. sau gaz

Dispozitivul **nu** este adecvat pentru:

- folosirea ca aparat încorporabil
- folosirea în clădiri înalte, încăperi la subsol, băi și dormitoare
- folosirea în vehicule
- folosirea în ambarcațiuni
- folosirea în încăperi cu un volum mai mic de 40 m³, de ex., o încăpere cu dimensiune de 4 x 4 m și o înălțime 2,5 m
- folosirea în zone care nu sunt bine aerisite
Încăperile bine aerisite sunt încăperi în care schimbul de aer se produce mai mult de o dată pe oră, cu ferestre și uși care nu sunt etanșate. Încăperile trebuie să dispună de cel puțin o fereastră care poate fi deschisă sau de o ușă direct către exterior
- depozitarea medicamentelor
- depozitarea substanțelor caustice sau a substanțelor care conțin solvenți

Acest produs este potrivit numai pentru scopul și utilizarea prevăzute în conformitate cu aceste instrucțiuni.

Acest manual oferă informații necesare pentru instalarea și/sau utilizarea corectă a dispozitivului. Instalarea defectuoasă și/sau utilizarea sau întreținerea necorespunzătoare vor avea ca rezultat performanțe nesatisfăcătoare și o posibilă defectare.

Producătorul nu își asumă nicio răspundere pentru orice vătămare sau deteriorare a produsului rezultate din:

- Asamblarea sau conectarea incorectă, inclusiv supratensiunea
- Întreținerea sau utilizarea incorectă a pieselor de schimb, altele decât piesele de schimb originale furnizate de producător
- Modificări aduse produsului fără aprobarea explicită din partea producătorului

- Utilizarea în alte scopuri decât cele descrise în manual

Dometic își rezervă dreptul de a modifica aspectul și specificațiile produsului.

Instalarea și exploatarea

Procedați așa cum este indicat la pagină 5 până la pagină 13:

- Amplasarea dispozitivului: fig. **1**
- Conectarea dispozitivului la alimentare c.c.: fig. **2**
- Conectarea dispozitivului la alimentare c.a.: fig. **3**
- Conectarea dispozitivului la gaz: fig. **4** – fig. **5**
- Pornirea sursei de alimentare 12 V: fig. **6**
- Pornirea sursei de alimentare 24 V: fig. **7**
- Pornirea sursei de gaz: fig. **8**
- Depozitarea produselor alimentare: fig. **9**
- Oprirea dispozitivului: fig. **10**
- Înlocuirea filtrului de gaz: fig. **11**
- Înlocuirea bateriei de aprindere: fig. **12**
- Curățarea arzătorului: fig. **13**

Garanție

Se aplică termenul de garanție legal. În cazul în care produsul este defect, vă rugăm să contactați sucursala distribuitorului sau producătorului din țara dvs. (consultați dometic.com/dealer) sau comerciantul dvs. cu amănuntul.

Pentru reparații și procesarea garanției, vă rugăm să includeți următoarele documente atunci când trimiteți produsul:

- O copie a facturii cu data cumpărării
- Un motiv de reclamație sau o descriere a defecțiunii.

Rețineți că repararea prin mijloace proprii sau reparațiile neprofesionale pot avea consecințe asupra securității și pot anula garanția.

Eliminarea



AVERTIZARE! Risc de blocare a copilului

Demontați toate ușile dispozitivului pentru eliminarea dispozitivului vechi și lăsați rafturile în dispozitiv pentru a preveni închiderea accidentală și sufocarea copiilor.

Reciclarea materialelor de ambalare



- ▶ Depuneți materialul de ambalare pe cât posibil în containerele corespunzătoare de reciclare.

Reciclarea produselor cu baterii care nu pot fi înlocuite, acumulatori sau surse de lumină



- ▶ În cazul în care produsul conține baterii neînlocuibile, acumulatori sau surse de lumină, nu trebuie să le îndepărtați înainte de a le elimina.



- ▶ Dacă doriți să eliminați în final produsul, adresați-vă centrului local de reciclare sau distribuitorului pentru detalii despre cum să faceți acest lucru în conformitate cu reglementările privind eliminarea aplicabile.
- ▶ Produsul poate fi eliminat gratuit.

Моля, прочетете внимателно тези инструкции и спазвайте всички указания, напътствия и предупреждения, включени в настоящото ръководство, за да сте сигурни че инсталирате, използвате и поддържате правилно този продукт. Инструкциите ТРЯБВА винаги да съпровождат продукта.

Като използвате продукта, потвърждавате, че сте прочели внимателно всички указания, напътствия и предупреждения, и че разбирате и приемате да спазвате правилата и условията, съдържащи се в тях. Съгласявате се да използвате този продукт само по предназначение и в съответствие с указанията, напътствията и предупрежденията, дадени в ръководството на продукта, както и в съответствие с всички приложими закони и разпоредби. Ако не прочетете и не спазвате инструкциите и предупрежденията, това може да доведе до наранявания за Вас или за други хора, шети по продукта или шети по други предмети в близост до него. Това ръководство за продукта, включително указанията, напътствията и предупрежденията и другата документация, подлежи на промяна и обновяване. За актуална информация за продукта, моля, посетете documents.dometic.com, dometic.com.

Свързани документи



Пълното ръководство за работа и информация за техническите данни ще намерите онлайн на qr.dometic.com/bf5KY0.

Указания за безопасност



ПРЕДУПРЕЖДЕНИЕ!

Спазвайте също указанията за безопасност на стр. 3 до стр. 4.

Обща безопасност



ПРЕДУПРЕЖДЕНИЕ! Неспазването на тези предупреждения може да доведе до смърт или сериозни наранявания.

Опасност от електрически удар

- Не работете с уреда, ако е видимо увреден.
- Ако променливотоковият захранващ кабел на уреда е увреден, той трябва да бъде сменен от производителя, отдела за обслужване на клиенти или друго квалифицирано лице, за да се предотвратят рисковете за безопасността.
- Това устройство може да бъде ремонтирано само от квалифициран персонал. Неправилни ремонти могат да доведат до значителни опасности.

Опасност от експлозия

Не съхранявайте никакви експлозивни вещества, като спрейове със запалим впръскващ газ, в уреда.

Опасност от пожар

Хладилният агент в охлаждащия кръг е силно запалим. В случай на повреда на охлаждащия кръг (миризма на амоняк):

- Изключете продукта.
- Избягвайте открит пламък или искри.
- Проветрете добре помещението.

Опасност за здравето

- Никога не отваряйте адсорбера. Той се намира под налягане и може да нарани някого при отваряне.
- Този уред може да се използва от деца над 8 годишна възраст и от лица с ограничени физически, сензорни или умствени способности или лица без опит и познания, ако те са били предварително инструктирани за безопасното използване на уреда и разбират потенциалните опасности.
- Деца не трябва да си играят с уреда.
- Почистване и поддръжка не трябва да се извършва от деца без наблюдение.
- Деца на възраст от 3 до 8 години могат да зареждат и разтоварват уреди.

Риск от заклещване на дете

- Уверете се, че рафтовете са монтирани и обезопасени така, че децата да не могат да се заключат в уреда.
- Преди да изхвърлите Вашия стар хладилник:
 - Демонтирайте чекмеджетата.
 - Оставете рафтовете в хладилника, така че в него да не могат да влязат деца.



ВНИМАНИЕ! Неспазването на тези предупреждения може да доведе до леки или средни наранявания.

Риск от нараняване

- Не поставяйте пръстите си в пантата.
- Не се облягайте върху отворената врата на уреда.



ВНИМАНИЕ! Несъобразяването с тези инструкции може да доведе до щети на уреда.

- Лампата може да се сменя само от производителя, сервизен техник или лице с подобна квалификация, за да се избегнат опасностите.
- Не използвайте почистващо устройство с високо налягане близо до вентилационната решетка, когато почиствате превозното средство.

- Прикрепете зимните капаци на вентилационната решетка (принадлежности), когато автомобилът се почиства отвън или не се използва за продължителен период от време.
- Уредът не е подходящ за пренасяне на разяждащи материали или на материали, съдържащи разтворители.
- Изолацията на уреда съдържа запалим циклопентан и изисква специална процедура за изхвърляне. След края на експлоатационния му живот, изпратете уреда в подходящ център за рециклиране.
- Поддържайте отвора за кондензата чист през цялото време.
- Не потапяйте уреда във вода.
- Защитете устройството и кабелите от топлина и влага.
- Уредът не трябва да бъде излаган на дъжд.

Безопасно поставяне и свързване на уреда



ПРЕДУПРЕЖДЕНИЕ! Неспазването на тези предупреждения може да доведе до смърт или сериозни наранявания.

Опасност от пожар

- Уверете се, че веригата на уреда не е повредена по време на транспортиране.
- Когато разполагате уреда, внимавайте захранващия кабел да не бъде пречупен или повреден.
- Не поставяйте разклонители или подвижни захранвания към задната част на уреда.



ВНИМАНИЕ! Несъобразяването с тези инструкции може да доведе до щети на уреда.

Опасност от прегряване

- Винаги трябва да е осигурена достатъчна вентилация, така че топлината, генерирана по време на работа, да може да се разсее. Уверете се, че уредът е достатъчно отдалечен от стени или други обекти, така че въздухът да може да циркулира.
- За да може хладилният агент да циркулира правилно, уредът не трябва да се накланя с повече от 3°. Използвайте нивелир, за да се уверите, че уредът е хоризонтален.

- Хващайте уреда само за корпуса по време на транспортиране. Никога не хващайте адсорбера, охлаждащите ребра, газовите тръби, вратата или таблото за управление на уреда.
- Не поставяйте грейката близо до открит огън или други източници на топлина (нагреватели, газови печки, директна слънчева светлина и др.).
- Използвайте само доставения АС захранващ кабел за свързване на уреда с АС електрическа мрежа.
- Попитайте производителя на превозното средство дали управлението на акумулатора на Вашето превозното средство изключва уредите за защита на акумулатора.
- Поставете вратата на уреда и вратата на отделенията за лед в положение „зима“, ако няма да използвате уреда за по-дълъг период от време. Това предотвратява образуването на мухъл.

Безопасност при работа на уреда



ПРЕДУПРЕЖДЕНИЕ! Неспазването на тези предупреждения може да доведе до смърт или сериозни наранявания.

Опасност от електрически удар

- Преди да включите уреда се уверете, че захранващият кабел и шекерът са сухи.
- Изключете уреда от захранването
 - преди всяко почистване и поддръжка
 - след всяка употреба

Опасност за здравето

- Моля, проверете дали капацитетът на охлаждане на уреда е подходящ за съхранение на храната, която искате да охлаждате.
- Използвайте уреда само там, където има добра вентилация.
- Използвайте уреда само от един източник на енергия.
- Хранителните продукти трябва да се съхраняват в оригиналните опаковки или в подходящи кутии.
- Отварянето на уреда за продължително време може да доведе до значително повишаване на температурата в отделенията на охлаждащия уред.

- Редовно почиствайте повърхностите, които могат да влязат в контакт с хранителни продукти и достъпните части от системата за източване.
- Съхранявайте сурово месо и риба в подходящи съдове, така че да не контактуват и да не капят върху другата храна.
- Ако уредът е изложен на стайна температура под +10 °C за продължителен период от време, в отделението за лед не може да се гарантира еднаква температура. Това може да доведе до повишаване на температурата на отделението за ле и съхраняваните в него продукти може да се размразят.
- Ако продуктът се оставя празен за продължителен период:
 - Изключете продукта.
 - Размразете продукта.
 - Почистете и подсушете продукта.
 - Оставете вратата отворена, за да предотвратите образуването на мухъл в уреда.



ВНИМАНИЕ! Неспазването на тези предупреждения може да доведе до леки или средни наранявания.

Риск от нараняване

- Затворете и заключете вратата на уреда, преди да започнете пътуване.
- Охлаждащият агрегат в задната част на уреда се нагорещява по време на работа. Пазете се от контакт с горещи части, когато премахвате вентилационните решетки.



ВНИМАНИЕ! Несъобразяването с тези инструкции може да доведе до щети на уреда.

- Проверете дали данните за напрежението на типовата табелка отговарят на напрежението на мрежата.
- Свързвайте уреда само по следния начин:
 - Изход за постоянен ток: Използвайте само кабели с подходящо напречно сечение.
 - Изход за променлив ток: Използвайте само доставения променливотоков кабел
- Никога не откачайте контакта, като дърпате кабела.
- Ако уредът е свързан към изход за постоянен ток: Изберете режим на работа с постоянен ток (режим на акумулатор) само ако използвате монитор на акумулатора или ако алтернаторът в превозното средство осигурява достатъчно напрежение.

- Ако уредът е свързан към изход за постоянен ток: Разкачете уреда или го изключете, преди да палите двигателя. Иначе може да разредите акумулатора.
- Уверете се, че вентилационните отвори не са покрити.
- Не използвайте електрически устройства вътре в уреда, освен ако не са препоръчани от производителя за тази цел.
- Не пълнете вътрешния съд с лед или течности.
- Съхранявайте по-тежки продукти, като например бутилки или консерви, само на вратата на уреда, в отделението за зеленчуци или на най-долния рафт.

Безопасна работа с газ



ПРЕДУПРЕЖДЕНИЕ! Неспазването на тези предупреждения може да доведе до смърт или сериозни наранявания.

Опасност от експлозия

- Работете с уреда само при налягането, показано на типовата табелка. Използвайте само регулатори на налягане с фиксирана настройка, която отговаря на националните разпоредби. Използвайте регулатор на налягането с фиксирана настройка в съответствие с DIN EN 16129.

Риск от задушаване

- Използването на този уред с газ в помещение без вентилация ще намали количеството кислород в помещението.
- Не използвайте уреда с газ в непроветриви помещения, като например затворени помещения, палатки, моторни превозни средства, моторни домове, каравани, кораби, яhti, лодки и кабинни на камиони.
- Не използвайте устройството в помещения с обем, по-малък от 40 m³.
- Никога не поставяйте уреда близо до запалими материали (хартия, сухи листа, текстилни изделия).
- Дръжте запалимите предмети далеч от горелката.
- **Никога** не съхранявайте бутилки с течен газ в помещения без вентилация или под нивото на земята (конусовидни пространства в земята).
- Съхранявайте бутилките с течен газ на места, лишени от пряка слънчева светлина. Температурата не трябва да надвишава 50 °C.

- Никога не използвайте открит пламък, за да проверявате уреда за течове.
- Ако мирише на газ:
 - Затворете кранчето за захранване с газ и вентила на бутилката.
 - Не натискайте електрически превключвател.
 - Изгасете всички открити пламъци.
 - Газовата система трябва да бъде проверена от специалист.

- Не оставяйте уреда да работи без надзор, когато е в газов режим.



ВНИМАНИЕ! Несъобразяването с тези инструкции може да доведе до щети на уреда.

Използвайте само пропан или бутан газ (не природен газ).

Използване по предназначение

Мобилният хладилен уред е предназначен за използване в домакинството и други подобни приложения, като например:

- Селскостопански постройки
- Кухни за персонала в магазини, офиси и други работни помещения
- За клиенти на хотели, мотели и други жилищни зони
- Пансиони тип „легло и закуска“
- Кетъринг и подобни нетърговски приложения

Уредът е подходящ за:

- Охлаждане и съхранение на храна, както и съхранение на замразени храни
- Работа с постоянен ток, променлив ток или газ

Уредът **не** е подходящ за:

- Използване като уред за вграждане
- Използване във високи сгради, помещения под нивото на земята, бани и спални
- Използване в превозни средства
- Използване в лодки
- Използване в помещения с обем по-малък от 40 m³, напр. помещение с размери 4 x 4 m и височина на помещението 2,50 m
- Използване в недобре проветрени помещения

Добре проветрени помещения са помещения с повече от една смяна на въздуха на час, с прозорци и врати, които не са херметически затворени. Помещенията трябва да имат поне един прозорец, който може да се отваря, или врата, която води директно навън

- Съхранение на лекарства.

- Съхраняване на разяждащи вещества или вещества, които съдържат разтворители

Този продукт е подходящ само за предвидената цел и приложение съгласно настоящите инструкции.

Това ръководство предоставя информация, необходима за правилния монтаж и/или експлоатация на уреда. Лошо инсталиране и/или неправилна употреба и поддръжка ще доведат до незадоволителна работа и евентуално до повреди.

Производителят не носи отговорност за наранявания и повреди по продукта, причинени от:

- Неправилен монтаж и свързване, включително прекалено високо напрежение
- Неправилна поддръжка или използване на резервни части, различни от оригиналните, предоставяни от производителя
- Изменения на продукта без изрично разрешение от производителя
- Използване за цели, различни от описаните в това ръководство

Dometic си запазва правото да променя външния вид и спецификациите на продукта.

Настройване и експлоатация

Действайте както е показано на стр. 5 до стр. 13:

- Поставяне на уреда: фиг. **1**
- Свързване на уреда към постояннотоково захранване: фиг. **2**
- Свързване на хладилния уред към променливо-токово захранване: фиг. **3**
- Свързване на устройството с газ: фиг. **4** – фиг. **5**
- Включване на 12 V захранване: фиг. **6**
- Включване на 24 V захранване: фиг. **7**
- Включване на подаването на газ: фиг. **8**
- Поставяне на хранителни продукти: фиг. **9**
- Изключване на уреда: фиг. **10**
- Смяна на газовия филтър: фиг. **11**
- Смяна на акумулатора за запалване: фиг. **12**
- Почистване на горелката: фиг. **13**

Гаранция

Важи гаранционният срок, определен от закона. Ако продуктът е дефектен, моля свържете се с търговеца или с филиала на производителя във Вашата страна (виж dometic.com/dealer).

За обработката на гаранцията и ремонта, моля приложете следните документи, когато изпращате продукта:

- Копие от фактурата с дата на покупката
- Причина за претенцията или описание на дефекта

Отбележете, че саморъчен или непрофесионален ремонт може има последствия за безопасността и да анулира гаранцията.

Изхвърляне



ПРЕДУПРЕЖДЕНИЕ! Риск от заклещване на дете

Демонтирайте всички врати на уреда за изхвърляне на стария уред и оставете рафтовете в уреда, за да предотвратите случайно затваряне и задушаване на деца.

Рециклиране на опаковъчните материали



- ▶ По възможност предайте опаковката за рециклиране.

Продукти за рециклиране с незаменяеми батерии, презареждаеми батерии или източници на светлина



- ▶ Ако продуктът съдържа незаменяеми батерии, презареждаеми батерии или източници на светлина, не е необходимо да ги отстранявате, преди да изхвърлите продукта.



- ▶ Ако искате окончателно да изхвърлите продукта, попитайте местния център за рециклиране или специализиран дилър за подробности как това да се извърши в съответствие с валидните предписания.
- ▶ Продуктът може да бъде изхвърлен безплатно.

Lugege see juhend tähelepanelikult läbi ja järgige kõiki selles esitatud juhiseid, suuniseid ja hoiatusi, et tagada alati toote õigesti paigaldamine, kasutamine ning hooldamine. Juhend PEAB jääma selle toote juurde.

Toote kasutamise kinnitate, et olete kõik juhised, suunised ja hoiatused tähelepanelikult läbi lugenud ning mõistate ja nõustute järgima nendes sätestatud tingimusi. Nõustute kasutama seda toodet üksnes ettenähtud eesmärgil ja otstarbel ning kooskõlas tootejuhendis sätestatud juhiste, suuniste ja hoiatustega, samuti kooskõlas kõigi kohaldatavate õigusaktide ja eeskirjadega. Siin sätestatud juhiste ja hoiatuste lugemise ja järgimise eiramine võib põhjustada vigastusi teile ja kolmandatele isikutele, kahjustada teie toodet või läheduses asuvat muud vara. Toote tootejuhendit, sh juhiseid, suuniseid ja hoiatusi ning nendega seotud dokumentatsiooni, võidakse muuta ja uuendada. Värskeima tooteteabe leiata veebisaidilt documents.dometic.com, dometic.com.

Seotud dokumendid



Üksikasjaliku kasutusjuhendi ja tehnilised andmed leiata veebiaadressilt qr.dometic.com/bf5KYO.

Ohutusjuhised



HOIATUS!

Järgige ka ohutusjuhiseid lehekülj 3 kuni lehekülj 4.

Üldine ohutus



HOIATUS! Nende hoiatuste mittejärgimine võib põhjustada raskeid vigastusi või surma.

Elektrilöögi oht

- Kui seadmel on nähtavaid kahjustusi, ei tohi seda kasutada.
- Kui seadme vahelduvvoolukaabel on katki, tuleb õnnetuste ennetamiseks lasta see välja vahetada tootjal, klienditeeninduskeskusel või sarnase kvalifikatsiooniga isikul.
- Seda seadet võivad remontida ainult spetsialistid. Valesti tehtud parandused võivad seadme kasutamise ohtlikuks muuta.

Plahvatusoht

Ärge hoiustage seadmes plahvatusohtlikke esemeid, nagu tuleohtlikku kütust sisaldavad aerosoolpihustid.

Tuleoht

Külmaainekontuuris olev külmaaine on väga tuleohtlik. Kui külmaainekontuuril on vähimgi kahjustus (ammoniaagi lõhn):

- lülitage seade välja;
- Vältige lahtist leeki ja sädemeid.
- Tuulutage ruumi põhjalikult.

Terviseoht

- Kunagi ärge absorptsioonmoodulit avage. See on kõrge rõhu all ja võib avamise korral vigastusi tekitada.
- Lapsed alates 8. eluaastast ning piiratud füüsiliste, sensoorsete või vaimsete võimetega või vajalike kogemuste ja teadmisteta isikud võivad seda seadet kasutada järelevalve all või pärast seda, kui neid on õpetatud seadet ohutult kasutama ja nad mõistavad seadme kasutamisega kaasnevat ohte.
- Lapsed ei tohi seadmega mängida.
- Lapsed ei tohi seadet ilma järelevalveta puhastada ega hooldada.
- 3–8-aastased lapsed võivad seadmesse asju panna ja neid sealt välja võtta.

Laste kinnijäämise oht

- Veenduge, et riivid oleksid paigaldatud ja kinnitatud nii, et lapsed ei saaks end seadmesse lukustada.
- Enne vana külmiku jäätmekäitlusse andmist:
 - demonteerige sahtlid;
 - jätke riivid külmikusse nii, et lapsed ei saaks sisse ronida.



ETTEVAATUST! Nende ettevaatusabinõude mittejärgimine võib põhjustada kergeid või mõõdukaid vigastusi.

Vigastusoht

- Ärge pange sõrmi hinge sisse.
 - Ärge toetuge seadme avatud uksele.
-  **TÄHELEPANU! Nende juhiste mittejärgimine võib seadet kahjustada.**
- Ohtlike olukordade vältimiseks võib lampi vahetada ainult tootja, hooldustehnik või samalaadse kvalifikatsiooniga isik.
 - Sõiduki puhastamisel ärge kasutage ventilatsioonivõre lähedal survepesurit.
 - Paigaldage ventilatsioonivõre talvekatted (tarvikud), kui sõidukit puhastatakse väljastpoolt või ei kasutata pikemat aega.
 - Seade ei sobi söövitavate ega lahustit sisaldavate ainete transportimiseks.
 - Seadme isolatsioon sisaldab tuleohtlikku tsüklopentaani ja selle kõrvaldamisel tuleb järgida erinõudeid. Viige seade pärast selle kasutusea lõppemist sobivasse kogumispunkti.
 - Hoidke kondensaadiava alati puhtana.
 - Ärge kastke seadet vette.

- Kaitske seadet ja kaablit kuumuse ning niiskuse eest.
- Seadet ei tohi jätta vihma kätte.

Seadme ohutu paigutamine ja ühendamine



HOIATUS! Nende hoiatuste mittejärgimine võib põhjustada raskeid vigastusi või surma.

Tuleoht

- Veenduge, et seadme kontuur ei saaks transpordi ajal kahjustada.
- Valige seadme asukoht nii, et toitejuhe ei jääks esemete vahele kinni ja ei saaks kahjustada.
- Ärge jätke seadme taha mitut teisaldatavat toitepesa või teisaldatavat toiteallikat.



TÄHELEPANU! Nende juhiste mittejärgimine võib seadet kahjustada.

Ülekuumenemise oht

- Tagage alati piisav ventilatsioon, et töö ajal tekiv soojus saaks hajuda. Veenduge, et seade on seintest ja teistest objektidest piisavalt kaugel, et õhk saaks ringelda.
- Külmaaine nõuetekohase ringlemise võimaldamiseks ei tohi seadet rohkem kui 3° kallutada. Kontrollige vesiloodiga, kas seade on loodis.
- Transportimise ajal hoidke seadet üksnes põhi-korpusest. Kunagi ärge hoidke seadet absorptsioonmoodulist, jahutusribidest, gaasitorudest, uksest ega juhtpaneelist.
- Ärge asetage seadet lahtise leegi või muu soojusallika (radiaator, otsene päikesekiirgus, gaasiahi jne) lähedusse.
- Seadme ühendamiseks vahelduvooluga avalikku elektrivõrku kasutage ainult kaasasolevat vahelduvoolukaablit.
- Küsige sõiduki tootjalt, kas sõiduki aku haldus lülitab seadmed aku kaitsmiseks välja.
- Seadke seadme ja jääkambrü uks talveasendisse, kui te seadet pikemat aega ei kasuta. See aitab hallituse teket ennetada.

Seadme ohutu käitamine



HOIATUS! Nende hoiatuste mittejärgimine võib põhjustada raskeid vigastusi või surma.

Elektrilöögi oht

- Enne seadme käivitamist veenduge, et toitejuhe ja pistik on kuivad.

- Lahutage seade toiteallikast
 - alati enne puhastamist ja hooldamist
 - iga kord pärast kasutamist

Terviseoht

- Kontrollige, kas seadme jahutusvõimsus sobib soovitud toidu jahutamiseks.
- Kasutage seadet ainult hea ventilatsiooniga kohas.
- Kasutage seadmel ainult üht energiaallikat.
- Toitu võib hoida ainult originaalpakendis või sobivates anumates.
- Kui seade jäetakse pikemaks ajaks lahti, võib temperatuur seadme sektsioonides oluliselt tõusta.
- Toiduga kokku puutuvaid pindu ja ligipääsetavaid äravoolusüsteeme tuleb regulaarselt puhastada.
- Säilitage toorest liha ja kala selleks sobivates anumates, nii et need ei puutuks teiste toiduainetega kokku ega tilguks neile.
- Kui seade on pikemat aega ruumis, mille temperatuur on alla +10 °C, ei saa tagada ühtlast temperatuuri jääkambris. See võib põhjustada jääkambris temperatuuri tõusu ja seal säilitatava toidu sulamist.
- Kui jätate seadme pikemaks ajaks tühjalt seisma:
 - lülitage seade välja;
 - sulatage seade;
 - puhastage ja kuivatage;
 - jätke uks lahti, et vältida seadme sees hallituse teket.



ETTEVAATUST! Nende ettevaatusabinõude mittejärgimine võib põhjustada kergeid või mõõdukaid vigastusi.

Vigastusoht

- Enne teeasumist sulgege ja lukustage seadme uks.
- Seadme tagaküljel olev jahutusagregaat läheb töö ajal väga kuumaks. Ärge puudutage kuumi osi, kui eemaldate ventilatsioonivõresid.



TÄHELEPANU! Nende juhiste mittejärgimine võib seadet kahjustada.

- Kontrollige, kas andmeplaadile märgitud pingenäitajad kattuvad toiteallika näitajatega.
- Järgige seadme ühendamisel järgmisi reegleid.
 - Alalisvoolupesaga: kasutage ainult sobiva ristlõikega kaableid.
 - Vahelduvvoolupesaga: kasutage ainult kaasasolevat vahelduvvoolukaablit.
- Ärge tõmmake pistikut välja seda kaablist sikutades.
- Kui seade on ühendatud alalisvoolupesaga: valige ainult alalisvooluga töötamine (akurežiim), kui kasutate aku jälgimise seadet või sõiduki generaatorit tagab piisava pinget.
- Kui seade on ühendatud alalisvoolupesaga: mootori väljalülitamisel lahutage seade või lülitage see välja. Vastasel korral võib aku tühjeneda.
- Ärge katke õhuavasid kinni.
- Ärge kasutage seadme sees elektriseadmeid, v.a need, mida tootja on selleks otstarbeks soovitanud.
- Ärge täitke seadme sisemust jää või vedelikega.
- Raskeid esemeid, nagu pudelid ja purgid, hoidke ainult minikülmiku ukse sees, köögiviljashtis või alumisel riivilil.

Ohutu töö gaasiga



HOIATUS! Nende hoiatuste mittejärgimine võib põhjustada raskeid vigastusi või surma.

Plahvatusoht

- Kasutage seadet ainult andmeplaadil näidatud rõhuga. Kasutage rõhuregulaatoreid ainult fikseeritud seadistusega, mis vastab riiklikele nõuetele. Saksamaal kasutage heakskiiduga fikseeritud seadega rõhuregulaatorit, mis vastab standardile DIN EN 16129.

Lämbumisoht

- Seadme gaasiga kasutamisel ventileerimata kohas väheneb selle koha õhus hapnikusisaldus.
- Ärge kasutage seadet gaasiga kohas, mis on ventileerimata, näiteks suletud ruumid, telgid, mootorsõidukid, matkaautod, haagissuvilad, laevad, jahid, paadid ja veokikabiinid.
- Ärge kasutage seadet ruumides, mille suurus on alla 40 m³.
- Kunagi ärge paigutage seadet tuleohtlike materjalide lähedale (paber, kuivad lehed, tekstiilid).
- Hoidke tuleohtlikud esemed põletist eemal.
- **Kunagi** ärge hoidke gaasiballoone ventileerimata kohas või maa all (maapinda tehtud lehtrikujulised augud).
- Hoidke vedelgaasiballoone otsesest päikese- ja kuumusest eemal. Temperatuur ei tohi olla kõrgem kui 50 °C.
- Kunagi ärge kasutage seadmel lekete kontrollimiseks lahtist leeki.
- Kui tunnete gaasilõhna:
 - sulgege gaasikraan ja baloonikraan.
 - Ärge elektrilülitit vajutage.
 - Kustutage mis tahes lahtine leek.
 - Laske spetsialistil gaasisüsteemi kontrollida.
- Ärge laske seadmel gaasirežiimil järelevalveta töötada.



TÄHELEPANU! Nende juhiste mittejärgimine võib seadet kahjustada.

Kasutage ainult propaani või butaani (mitte maagaasi).

Kasutusotstarve

Teisaldatav jahutus-külmutusseade on ette nähtud kasutamiseks kodumajapidamises ja sarnastes kasutuskohtades, näiteks:

- maakodud;
- kaupluste, kontorite ja muude asutuste personaalikohtade;
- hotellide, motellide ja muude majutusasutuste kliendiruumid;
- kodumajutusruumid;
- toitlustus ja muu sarnane kasutus, mis ei ole jae-müük.

Seade sobib:

- toidu jahutamiseks ja säilitamiseks ning külmutatud toidu säilitamiseks;
- kasutamiseks alalisvoolu-, vahelduvvoolutoite või gaasiga.

Seade **ei** sobi:

- kasutamiseks sisseehitatud seadmena;
- Kasutamine kõrghoonetes, maa all olevates ruumides, vannitubades ja magamistubades
- Kasutamine sõidukites
- Kasutamine paatides
- Kasutamine ruumides, mille suurus on alla 40 m³, nt ruumis suurusega 4 × 4 m ja kõrgusega 2,50 m
- Kasutamine hästi mitte ventileeritavates piirkondades

Hästi ventileeritavad ruumid on ruumid, kus on rohkem kui üks õhuvahetus tunnis ning aknad ja uksed, mis pole tihedate liitekohtadega. Ruumides peab olema vähemalt üks avatav aken või otse välja viiv uks

- ravimite säilitamiseks;
- söövitavate või lahusteid sisaldavate ainete säilitamiseks.

See toode sobib kasutamiseks üksnes ettenähtud otstarbel ja käesolevas kasutusjuhendis toodud valdkonnas.

Käesolev juhend sisaldab teavet, mis on vajalik seadme korrektseks paigaldamiseks ja/või kasutamiseks. Halva paigalduse ja/või valesti kasutamise või hooldamise korral halvenevad tööomadused ja võib tekkida rike.

Tootja ei võta vastutust mis tahes kahju või tootekahjustuse eest, mis on tingitud mõnest järgmisest asjaolust:

- valesti kokkupanek või ühendamine, sh liigpinge;
- valesti hooldamine või tootja poolt ette nähtud originaalvaruosadest erinevate varuosade kasutamine;
- tootel ilma tootja selge loata tehtud muudatused;
- kasutamine otstarbel, mida ei ole kasutusjuhendis kirjeldatud.

Dometic jätab endale õiguse muuta toote välimust ja tehnilisi näitajaid.

Seadistamine ja kasutamine

Toimige nagu näidatud lehekülj 5 kuni lehekülj 13:

- Seadme paigutamine: joonis **1**
- Seadme ühendamine alalisvoolutoitega: joonis **2**
- Seadme ühendamine vahelduvvoolutoitega: joonis **3**
- Seadme ühendamine gaasiga: joonis **4** – joonis **5**
- 12 V toite sisselülitamine: joonis **6**
- 24 V toite sisselülitamine: joonis **7**
- Gaasivarustuse sisselülitamine: joonis **8**
- Toiduainete paigutamine: joonis **9**
- Seadme väljalülitamine: joonis **10**
- Gaasifiltri vahetamine: joonis **11**
- Käivitusaku asendamine: joonis **12**
- Põleti puhastamine: joonis **13**

Garantii

Kehtib seadusega ettenähtud garantii. Kui toode on defektne, võtke ühendust edasimüüjaga või tootja kohaliku filiaaliga (vaadake dometic.com/dealer).

Remondi- ja garantiitööde tegemiseks lisage alljärgnevad dokumendid, kui toote meile saadate:

- Ostukuupäevaga arve koopia
- Kaebuse põhjus või vea kirjeldus

Pange tähele, et kui parandate ise või lasete mitte-kutselisel parandajal seda teha, võib see ohutust mõjutada ja garantii kehtetuks muuta.

Kõrvaldamine



HOIATUS! Laste kinnijäämise oht

Vana seadme kasutuselt kõrvaldamiseks võtke kõik seadme uksest küljest ära ja jätke riulid seadmesse, et vältida laste juhuslikku seadmesse sulgemist ja lämbumist.

Pakkematerjali ringlussevõtt



- ▶ Kui võimalik, pange pakkematerjal vastasse ringlussevõetava prügi kasti.

Integreeritud akude, tavaliste akude ja valgusallikatega toodete ringlussevõtt



- ▶ Kui toode sisaldab integreeritud akusid, tavalisi akusid või valgusallikaid, siis neid ei pea enne jäätmekäitluse andmist eemaldama.



- ▶ Kui soovite toote utiliseerida, küsige oma kohalikust jäätmekäitlusevõttest või spetsialistilt üksikasjaliku, kuidas seda kehtivate jäätmekäitluseeskirjade järgi teha.
- ▶ Toote saab jäätmekäitlusele anda tasuta.

Παρακαλούμε να διαβάσετε προσεκτικά το παρόν έγγραφο και να ακολουθήσετε όλες τις οδηγίες, τους κανονισμούς και τις προειδοποιήσεις που περιλαμβάνονται στο εγχειρίδιο αυτού του προϊόντος, έτσι ώστε να διασφαλίζεται πάντοτε η σωστή εγκατάσταση, χρήση και συντήρηση του προϊόντος. Αυτές οι οδηγίες ΠΡΕΠΕΙ πάντοτε να συνοδεύουν το προϊόν.

Με τη χρήση του προϊόντος επιβεβαιώνετε δια του παρόντος ότι έχετε διαβάσει προσεκτικά όλες τις οδηγίες, τους κανονισμούς και τις προειδοποιήσεις καθώς και ότι έχετε κατανοήσει και αποδέχεστε να τηρήσετε τους όρους και τις προϋποθέσεις που ορίζονται στο παρόν έγγραφο. Συμφωνείτε να χρησιμοποιείτε αυτό το προϊόν μόνο για τον προβλεπόμενο σκοπό και την προβλεπόμενη χρήση, πάντοτε σύμφωνα με τις οδηγίες, τους κανονισμούς και τις προειδοποιήσεις που ορίζονται στο παρόν εγχειρίδιο προϊόντος καθώς και σύμφωνα με όλους τους ισχύοντες νόμους και κανονισμούς. Σε περίπτωση μη ανάγνωσης και τήρησης των οδηγιών και των προειδοποιήσεων που ορίζονται στο παρόν έγγραφο, ενδέχεται να προκληθούν τραυματισμοί σε εσάς τον ίδιο και σε τρίτους, ζημιά στο προϊόν σας ή υλικές ζημιές σε άλλες ιδιοκτησίες στο άμεσο περιβάλλον. Αυτό το εγχειρίδιο προϊόντος, συμπεριλαμβανομένων των οδηγιών, των κανονισμών, των προειδοποιήσεων και των σχετικών εγγράφων, ενδέχεται να υποβληθεί σε τροποποιήσεις και ενημερώσεις. Για τις ενημερωμένες πληροφορίες προϊόντος, επισκεφθείτε την ηλεκτρονική διεύθυνση documents.dometic.com, dometic.com.

Σχετικά έγγραφα



Το αναλυτικό εγχειρίδιο χρήσης και πληροφορίες σχετικά με τα τεχνικά στοιχεία μπορείτε να τα βρείτε online στην ηλεκτρονική διεύθυνση qr.dometic.com/bf5KY0.

Υποδείξεις ασφαλείας



ΠΡΟΕΙΔΟΠΟΙΗΣΗ!

Τηρήστε επίσης τις οδηγίες ασφαλείας στη σελίδα 3 έως τη σελίδα 4.

Βασική ασφάλεια



ΠΡΟΕΙΔΟΠΟΙΗΣΗ! Η μη τήρηση αυτών των προειδοποιήσεων ενδέχεται να έχει ως αποτέλεσμα την πρόκληση θανάτου ή σοβαρού τραυματισμού.

Κίνδυνος ηλεκτροπληξίας

- Μη θέσετε σε λειτουργία τη συσκευή, εάν παρουσιάξει εμφανείς ζημιές.
- Εάν προκληθεί ζημιά στο καλώδιο τροφοδοσίας εναλλασσόμενου ρεύματος (AC) αυτής της συσκευής, το καλώδιο πρέπει να αντικατασταθεί από τον κατασκευαστή, έναν τεχνικό του τμήματος εξυπηρέτησης πελατών ή έναν άλλο τεχνικό με παρόμοια εξειδίκευση, για να αποφευχθούν τυχόν κίνδυνοι ασφαλείας.

- Η επισκευή αυτής της συσκευής επιτρέπεται να πραγματοποιείται μόνο από εξειδικευμένο τεχνικό προσωπικό. Σε περίπτωση μη ενδεδειγμένων επισκευών ενδέχεται να προκύψουν σοβαροί κίνδυνοι.

Κίνδυνος έκρηξης

Μην αποθηκεύετε στη συσκευή εκρηκτικές ουσίες, όπως π.χ. φιάλες σπρέι με εύφλεκτο προωθητικό αέριο.

Κίνδυνος πυρκαγιάς

Το ψυκτικό μέσο στο κύκλωμα ψυκτικού μέσου είναι εξαιρετικά εύφλεκτο. Εάν προκληθεί οποιαδήποτε ζημιά στο κύκλωμα ψυκτικού μέσου (οσμή αμμωνίας):

- Απενεργοποιήστε τη συσκευή.
- Αποφύγετε τις γυμνές φλόγες και τους σπινθήρες.
- Αερίστε καλά τον χώρο.

Κίνδυνος για την υγεία

- Μην ανοίγετε ποτέ την ψυκτική μονάδα. Βρίσκεται υπό υψηλή πίεση και μπορεί να προκαλέσει τραυματισμούς, εάν ανοιχθεί.
- Αυτή η συσκευή μπορεί να χρησιμοποιηθεί από παιδιά ηλικίας 8 ετών και επάνω καθώς και άτομα με μειωμένες φυσικές, αισθητηριακές ή πνευματικές ικανότητες ή με έλλειψη εμπειρίας και γνώσεων, εάν επιτηρούνται ή τους έχουν δοθεί οδηγίες σχετικά με τη χρήση της συσκευής με ασφαλή τρόπο και κατανοούν τους σχετικούς κινδύνους.
- Τα παιδιά δεν επιτρέπεται να παίζουν με τη συσκευή.
- Ο καθαρισμός και η συντήρηση χρήστη δεν επιτρέπεται να πραγματοποιούνται από παιδιά χωρίς επιτήρηση.
- Τα παιδιά ηλικίας 3 έως 8 ετών επιτρέπεται να τοποθετούν τρόφιμα στις συσκευές και να βγάζουν τρόφιμα από αυτές.

Κίνδυνος παγίδευσης για παιδιά

- Βεβαιωθείτε ότι τα ράφια είναι τοποθετημένα και ασφαλισμένα, έτσι ώστε να μην είναι δυνατόν να κλειδωθούν παιδιά μέσα στη συσκευή.
- Πριν από την απόρριψη του παλαιού σας ψυγείου:
 - Αποσυναρμολογήστε τα συρτάρια.
 - Αφήστε τα ράφια μέσα στο ψυγείο ώστε να μην μπορούν να μπουν μέσα τα παιδιά.



ΠΡΟΦΥΛΑΞΗ! Η μη τήρηση αυτών των συστάσεων ενδέχεται να έχει ως αποτέλεσμα την πρόκληση ελαφρού ή μέτριου τραυματισμού.

Κίνδυνος τραυματισμού

- Μη βάζετε τα δάκτυλά σας μέσα στον μεντεσέ.
- Μη στηρίζετε επάνω στην ανοιχτή πόρτα της συσκευής.



ΠΡΟΣΟΧΗ! Η μη τήρηση αυτών των οδηγιών ενδέχεται να έχει ως αποτέλεσμα την πρόκληση ζημιάς στη συσκευή.

- Ο λαμπτήρας μπορεί να αντικατασταθεί μόνο από τον κατασκευαστή, έναν τεχνικό σέρβις ή έναν ειδικευμένο τεχνικό, για να αποφευχθούν τυχόν κίνδυνοι.
- Κατά τον καθαρισμό του οχήματος, μη χρησιμοποιείτε συσκευές καθαρισμού υψηλής πίεσης κοντά στο πλέγμα αερισμού.
- Τοποθετήστε τα χειμερινά καλύμματα του πλέγματος αερισμού (προαιρετικά εξαρτήματα), όταν καθαρίζετε το εξωτερικό του οχήματος ή εάν το όχημα πρόκειται να παραμείνει ακινητοποιημένο για μεγάλο χρονικό διάστημα.
- Η συσκευή δεν είναι κατάλληλη για τη μεταφορά καυστικών ουσιών ή ουσιών που περιέχουν διαλύτες.
- Η μόνωση της συσκευής περιέχει εύφλεκτο κυκλοπεντάνιο και απαιτεί ειδικές διαδικασίες απόρριψης. Παραδώστε τη συσκευή στο τέλος του κύκλου ζωής της σε ένα κατάλληλο κέντρο ανακύκλωσης.
- Το άνοιγμα εκροής νερού συμπυκνώματος πρέπει να διατηρείται πάντοτε καθαρό.
- Ποτέ μη βυθίζετε τη συσκευή μέσα στο νερό.
- Προστατέψτε τη συσκευή και τα καλώδια από τη ζέση και την υγρασία.
- Η συσκευή απαγορεύεται να εκτίθεται σε βροχή.

Ασφαλής τοποθέτηση και σύνδεση της συσκευής



ΠΡΟΕΙΔΟΠΟΙΗΣΗ! Η μη τήρηση αυτών των προειδοποιήσεων ενδέχεται να έχει ως αποτέλεσμα την πρόκληση θανάτου ή σοβαρού τραυματισμού.

Κίνδυνος πυρκαγιάς

- Βεβαιωθείτε ότι κατά τη μεταφορά δεν προκαλείται ζημιά στο κύκλωμα της συσκευής.
- Κατά την τοποθέτηση της συσκευής, βεβαιωθείτε ότι το καλώδιο τροφοδοσίας δεν μαγκώνεται ή υφίσταται ζημιά.
- Μην τοποθετείτε φορητά πολύπριζα ή φορητές μονάδες τροφοδοσίας στην πίσω πλευρά της συσκευής.



ΠΡΟΣΟΧΗ! Η μη τήρηση αυτών των οδηγιών ενδέχεται να έχει ως αποτέλεσμα την πρόκληση ζημιάς στη συσκευή.

Κίνδυνος υπερθέρμανσης

- Διασφαλίζετε πάντοτε επαρκή αερισμό, έτσι ώστε να απομακρύνεται επαρκώς η θερμότητα, που δημιουργείται κατά τη λειτουργία. Βεβαιωθείτε ότι η συσκευή έχει επαρκή απόσταση από τοιχώματα και άλλα αντικείμενα, ώστε να μπορεί να κυκλοφορήσει ο αέρας.
- Για να επιτυγχάνεται η σωστή κυκλοφορία του ψυκτικού μέσου, η γωνία κλίσης της συσκευής δεν επιτρέπεται να υπερβαίνει τις 3°. Χρησιμοποιήστε αλφάδι, για να βεβαιωθείτε ότι η συσκευή βρίσκεται σε οριζόντια θέση.
- Κατά τη μεταφορά, κρατήστε τη συσκευή σταθερά μόνο από το σώμα της συσκευής. Μην κρατάτε ποτέ τη συσκευή από την ψυκτική μονάδα απορρόφησης, τα πτερύγια ψύξης, τους σωλήνες αερίου, την πόρτα ή τον πίνακα ελέγχου.
- Μην τοποθετείτε τη συσκευή κοντά σε γυμνές φλόγες ή σε άλλες πηγές θερμότητας (θερμάστρες, άμεση ηλιακή ακτινοβολία, φούρνους αερίου κ.λπ.).
- Για τη σύνδεση της συσκευής σε πρίζα εναλλασσόμενου ρεύματος (AC), χρησιμοποιήστε μόνο το παρεχόμενο καλώδιο σύνδεσης AC.

- Ρωτήστε τον κατασκευαστή του οχήματός σας εάν το σύστημα διαχείρισης μπαταρίας του οχήματος απενεργοποιεί τις συσκευές, για να προστατέψει την μπαταρία.
- Τοποθετήστε την πόρτα της συσκευής και την πόρτα του καταψύκτη στη χειμερινή θέση, εάν δεν πρόκειται να χρησιμοποιήσετε τη συσκευή για μεγάλο χρονικό διάστημα. Με τον τρόπο αυτό αποτρέπεται η δημιουργία μούχλας.
- Εάν η συσκευή εκτεθεί σε θερμοκρασία δωματίου χαμηλότερη από +10 °C για μεγάλο χρονικό διάστημα, δεν μπορεί να διασφαλιστεί η σταθερή θερμοκρασία του καταψύκτη. Αυτό μπορεί να οδηγήσει σε αύξηση της θερμοκρασίας στον καταψύκτη και σε ξεπάγωμα των αποθηκευμένων τροφίμων.
- Εάν η συσκευή παραμείνει άδεια για μεγάλα χρονικά διαστήματα:
 - Απενεργοποιήστε τη συσκευή.
 - Πραγματοποιήστε απόψυξη της συσκευής.
 - Καθαρίστε και στεγνώστε τη συσκευή.
 - Αφήστε την πόρτα ανοιχτή, για να αποτρέψετε τον σχηματισμό μούχλας μέσα στη συσκευή.

Ασφαλής λειτουργία της συσκευής



ΠΡΟΕΙΔΟΠΟΙΗΣΗ! Η μη τήρηση αυτών των προειδοποιήσεων ενδέχεται να έχει ως αποτέλεσμα την πρόκληση θανάτου ή σοβαρού τραυματισμού.

Κίνδυνος ηλεκτροπληξίας

- Πριν από την έναρξη λειτουργίας της συσκευής, βεβαιωθείτε ότι το καλώδιο τροφοδοσίας και το φινι είναι στεγνά.
- Αποσυνδέστε τη συσκευή από την τροφοδοσία ηλεκτρικού ρεύματος
 - πριν από κάθε καθαρισμό και συντήρηση
 - μετά από κάθε χρήση

Κίνδυνος για την υγεία

- Παρακαλούμε να εξετάσετε εάν η ψυκτική ισχύς της συσκευής ανταποκρίνεται στις απαιτήσεις των τροφίμων που θέλετε να ψύξετε.
- Χρησιμοποιήστε τη συσκευή μόνο σε χώρους με καλό αερισμό.
- Λειτουργήστε τη συσκευή μόνο με μια μοναδική πηγή ενέργειας.
- Τα τρόφιμα θα πρέπει να διατηρούνται μόνο στην αρχική συσκευασία τους ή σε κατάλληλα δοχεία.
- Το παρατεταμένο άνοιγμα της συσκευής μπορεί να προκαλέσει σημαντική αύξηση της θερμοκρασίας στους χώρους της συσκευής.
- Καθαρίζετε τακτικά τις επιφάνειες που μπορεί να έρθουν σε επαφή με τρόφιμα καθώς και τα προσβάσιμα συστήματα αποχέτευσης.
- Αποθηκεύστε το ωμό κρέας και τα ψάρια σε κατάλληλα δοχεία μέσα στη συσκευή, έτσι ώστε να μην έρχονται σε επαφή με άλλα τρόφιμα ή να μην στάζουν επάνω σε άλλα τρόφιμα.



ΠΡΟΦΥΛΑΞΗ! Η μη τήρηση αυτών των συστάσεων ενδέχεται να έχει ως αποτέλεσμα την πρόκληση ελαφρού ή μέτριου τραυματισμού.

Κίνδυνος τραυματισμού

- Κλείστε και ασφαλίστε την πόρτα της συσκευής πριν ξεκινήσετε ένα ταξίδι.
- Κατά τη λειτουργία, το ψυκτικό συγκρότημα στην πίσω πλευρά της συσκευής ζεσταίνεται πάρα πολύ. Αποφύγετε την επαφή με θερμά εξαρτήματα, όταν αφαιρείτε τα πλέγματα αερισμού.



ΠΡΟΣΟΧΗ! Η μη τήρηση αυτών των οδηγιών ενδέχεται να έχει ως αποτέλεσμα την πρόκληση ζημιάς στη συσκευή.

- Βεβαιωθείτε ότι η προδιαγραφή τάσης στην πινακίδα τύπου αντιστοιχεί στην υπάρχουσα τροφοδοσία ενέργειας.
- Συνδέστε τη συσκευή μόνο ως εξής:
 - Έξοδος εναλλασσόμενου ρεύματος (DC): Χρησιμοποιήστε μόνο καλώδια με κατάλληλη διατομή.
 - Έξοδος εναλλασσόμενου ρεύματος (AC): Χρησιμοποιήστε μόνο το καλώδιο AC που παρέχεται
- Μην τραβάτε το φινι από το καλώδιο σύνδεσης για να το αποσυνδέσετε από την πρίζα.
- Εάν η συσκευή είναι συνδεδεμένη με έξοδο συνεχούς ρεύματος (DC): Επιλέξτε τη λειτουργία με συνεχές ρεύμα (λειτουργία μπαταρίας), μόνο εάν χρησιμοποιείται σύστημα προστασίας της μπαταρίας ή εάν ο εναλλακτήρας του οχήματος παρέχει επαρκή τάση.

- Εάν η συσκευή είναι συνδεδεμένη με έξοδο συνεχούς ρεύματος (DC): Αποσυνδέστε τη συσκευή ή απενεργοποιήστε την, όταν σβήνετε τον κινητήρα. Διαφορετικά μπορεί να αδειάσει η μπαταρία του οχήματος.
- Προσέξτε, ώστε να μην καλύπτονται οι οπές αερισμού.
- Μη χρησιμοποιείτε ηλεκτρικές συσκευές στο εσωτερικό της συσκευής, εκτός εάν συνιστώνται από τον κατασκευαστή για τον σκοπό αυτό.
- Μη γεμίζετε με υγρά ή πάγο το εσωτερικό δοχείο.
- Τα βαριά αντικείμενα, όπως π.χ. μπουκάλια ή κουτάκια ροφημάτων, πρέπει να τοποθετούνται μόνο στην πόρτα της συσκευής, στο συρτάρι λαχανικών ή στο κάτω ράφι.
- **Μην** αποθηκεύετε τις φιάλες υγραερίου σε μη αεριζόμενα σημεία ή κάτω από το επίπεδο του εδάφους (σε κωνικούς λάκκους).
- Προστατέψτε τις φιάλες υγραερίου από την άμεση ηλιακή ακτινοβολία. Η θερμοκρασία δεν επιτρέπεται να υπερβεί τους 50 °C.
- Μην ελέγχετε ποτέ τη στεγανότητα της συσκευής με ανοιχτή φλόγα.
- Εάν μυρίσετε αέριο:
 - Κλείστε το διακόπτη τροφοδοσίας αερίου και τη βαλβίδα της φιάλης.
 - Μη χρησιμοποιήσετε κανέναν ηλεκτρικό διακόπτη.
 - Σβήστε τυχόν γυμνές εστίες φωτιάς.
 - Αναθέστε τον έλεγχο του συστήματος αερίου σε ειδικευμένο τεχνικό.
- Μην αφήνετε τη συσκευή να λειτουργεί χωρίς επιτήρηση, όταν βρίσκεται σε τρόπο λειτουργίας αερίου.

Ασφαλής λειτουργία με αέριο



ΠΡΟΕΙΔΟΠΟΙΗΣΗ! Η μη τήρηση αυτών των προειδοποιήσεων ενδέχεται να έχει ως αποτέλεσμα την πρόκληση θανάτου ή σοβαρού τραυματισμού.

Κίνδυνος έκρηξης

- Η συσκευή επιτρέπεται να τίθεται σε λειτουργία αποκλειστικά με την πίεση που αναγράφεται στην πινακίδα τύπου. Χρησιμοποιείτε μόνο ρυθμιστές πίεσης σταθερής ρύθμισης, που ανταποκρίνονται στους εθνικούς κανονισμούς. Χρησιμοποιείτε ρυθμιστή πίεσης μόνιμης ρύθμισης, σύμφωνα με το πρότυπο DIN EN 16129.

Κίνδυνος ασφυξίας

- Η λειτουργία της συσκευής με αέριο σε μη αεριζόμενο χώρο θα προκαλέσει μείωση του οξυγόνου στον χώρο αυτόν.
- Μην χρησιμοποιείτε τη συσκευή με αέριο σε μη αεριζόμενους χώρους, όπως κλειστοί εσωτερικοί χώροι, σκηνές, μηχανοκίνητα οχήματα, αυτοκινούμενα τροχόσπιτα, συρόμενα τροχόσπιτα, πλοία, θαλαμηγοί, χώροι αποσκευών και καμπίνες φορτηγών.
- Μην χρησιμοποιείτε τη συσκευή σε χώρους με μέγεθος μικρότερο από 40 m³.
- Μην τοποθετείτε ποτέ τη συσκευή κοντά σε εύφλεκτα υλικά (χαρτί, ξερά φύλλα, υφάσματα).
- Διατηρείτε τυχόν εύφλεκτα αντικείμενα μακριά από τον καυστήρα.



ΠΡΟΣΟΧΗ! Η μη τήρηση αυτών των οδηγιών ενδέχεται να έχει ως αποτέλεσμα την πρόκληση ζημιάς στη συσκευή.

Χρησιμοποιείτε μόνο βουτάνιο ή προπάνιο (όχι φυσικό αέριο).

Προβλεπόμενη χρήση

Η φορητή συσκευή ψύξης προορίζεται για οικιακή χρήση και παρόμοιες χρήσεις, όπως:

- Αγροικίες
- Χώροι κουζίνας προσωπικού σε καταστήματα, γραφεία και άλλα περιβάλλοντα εργασίας
- Πελάτες σε ξενοδοχεία, μοτέλ και άλλα περιβάλλοντα οικιστικού τύπου
- Περιβάλλοντα τύπου πανσιόν
- Υπηρεσίες τροφοδοσίας για εκδηλώσεις και παρόμοιες χρήσεις μη λιανικής πώλησης

Η συσκευή είναι κατάλληλη για:

- Ψύξη και αποθήκευση τροφίμων καθώς και αποθήκευση κατεψυγμένων τροφίμων
- Λειτουργία με συνεχές ρεύμα (DC), εναλλασσόμενο ρεύμα (AC) ή αέριο

Η συσκευή **δεν** είναι κατάλληλη για:

- Χρήση ως εντοιχισμένη συσκευή
- Χρήση σε πολυώροφα κτίρια, δωμάτια κάτω από το επίπεδο του εδάφους, μπάνια και υπνοδωμάτια
- Χρήση σε οχήματα
- Χρήση σε σκάφη
- Χρήση σε χώρους με μέγεθος μικρότερο από 40 m³, π.χ. μέγεθος δωματίου 4 x 4 m με ύψος 2,50 m
- Χρήση σε μη επαρκώς αεριζόμενους χώρους

Επαρκώς αεριζόμενοι χώροι είναι χώροι με περισσότερες από μία αλλαγές αέρα ανά ώρα, με παράθυρα και πόρτες που δεν είναι στεγανά. Τα δωμάτια πρέπει να διαθέτουν τουλάχιστον ένα παράθυρο που μπορεί να ανοίξει ή μια πόρτα που οδηγεί απευθείας έξω

- Αποθήκευση φαρμάκων.
- Αποθήκευση καυστικών ουσιών ή ουσιών που περιέχουν διαλύτες

Αυτό το προϊόν είναι κατάλληλο μόνο για τον προβλεπόμενο σκοπό και την προβλεπόμενη χρήση σύμφωνα με αυτές τις οδηγίες.

Αυτό το εγχειρίδιο παρέχει πληροφορίες που είναι απαραίτητες για τη σωστή εγκατάσταση και χρήση της συσκευής. Τυχόν μη ενδεδειγμένη εγκατάσταση, χρήση ή/και συντήρηση θα έχει ως συνέπεια την ανεπαρκή απόδοση και ενδεχομένως την πρόκληση βλάβης.

Ο κατασκευαστής δεν αποδέχεται καμία ευθύνη για τυχόν τραυματισμούς ή ζημιές στο προϊόν, που οφείλονται σε:

- Λανθασμένη συναρμολόγηση ή σύνδεση, συμπεριλ. της υπερβολικά υψηλής τάσης
- Λανθασμένη συντήρηση ή χρήση μη αυθεντικών ανταλλακτικών εξαρτημάτων, που δεν προέρχονται από τον κατασκευαστή
- Μετατροπές στο προϊόν χωρίς τη ρητή άδεια του κατασκευαστή
- Χρήση για σκοπούς διαφορετικούς από αυτούς που περιγράφονται σε αυτό το εγχειρίδιο

Η Dometic διατηρεί το δικαίωμα αλλαγής της εμφάνισης και των προδιαγραφών του προϊόντος.

Τοποθέτηση και χειρισμός

Ακολουθήστε τις σχετικές οδηγίες στη σελίδα 5 έως σελίδα 13:

- Τοποθέτηση της συσκευής: σχ. **1**
- Σύνδεση της συσκευής σε τροφοδοσία εναλλασσόμενου ρεύματος (DC): σχ. **2**
- Σύνδεση της συσκευής σε τροφοδοσία εναλλασσόμενου ρεύματος (AC): σχ. **3**
- Σύνδεση της συσκευής σε παροχή αερίου: σχ. **4** – σχ. **5**
- Ενεργοποίηση της τροφοδοσίας ηλεκτρικού ρεύματος 12 V: σχ. **6**
- Ενεργοποίηση της τροφοδοσίας ηλεκτρικού ρεύματος 24 V: σχ. **7**
- Ενεργοποίηση της τροφοδοσίας αερίου: σχ. **8**
- Τοποθέτηση τροφίμων: σχ. **9**
- Απενεργοποίηση της συσκευής: σχ. **10**
- Αντικατάσταση του φίλτρου αερίου: σχ. **11**
- Αντικατάσταση της μπαταρίας ανάφλεξης: σχ. **12**
- Καθαρισμός καυστήρα: σχ. **13**

Εγγύηση

Ισχύει η νόμιμη διάρκεια εγγύησης. Εάν το προϊόν παρουσιάζει ελαττώματα, παρακαλούμε να απευθυνθείτε στο κατάστημα αγοράς ή στην αντιπροσωπεία του κατασκευαστή στη χώρα σας (βλέπε dometic.com/dealer).

Για τυχόν επισκευή ή αξίωση κάλυψης από την εγγύηση, παρακαλούμε να αποστείλετε επίσης τα παρακάτω έγγραφα μαζί με το προϊόν:

- Ένα αντίγραφο της απόδειξης αγοράς με την ημερομηνία αγοράς
 - Τον λόγο για την αξίωση κάλυψης από την εγγύηση ή μια περιγραφή του σφάλματος
- Λάβετε υπόψη ότι τυχόν επισκευή από εσάς τον ίδιο ή μη επαγγελματική επισκευή ενδέχεται να έχει συνέπειες ασφαλείας καθώς και να αποτελέσει αιτία ακύρωσης της εγγύησης.

Απόρριψη



ΠΡΟΕΙΔΟΠΟΙΗΣΗ! Κίνδυνος παγίδευσης για παιδιά

Κατά την απόσυρση της συσκευής, αποσυναρμολογήστε όλες τις πόρτες της συσκευής και αφήστε τα ράφια μέσα στη συσκευή, ώστε να μην είναι δυνατόν να κλειστεί κάποιος κατά λάθος μέσα στη συσκευή και να κινδυνεύσει από ασφυξία.

Ανακύκλωση των υλικών συσκευασίας



- ▶ Εάν είναι εφικτό, απορρίψτε τα υλικά συσκευασίας στους αντίστοιχους κάδους ανακύκλωσης.

Ανακύκλωση προϊόντων με μη αντικαθιστώμενες μπαταρίες, επαναφορτιζόμενες μπαταρίες ή φωτεινές πηγές



- ▶ Εάν το προϊόν περιέχει μη αντικαθιστώμενες μπαταρίες, επαναφορτιζόμενες μπαταρίες ή φωτεινές πηγές, δεν χρειάζεται να τις αφαιρέσετε πριν από την απόρριψή του.



- ▶ Εάν επιθυμείτε την τελική απόρριψη του προϊόντος, ζητήστε από το τοπικό κέντρο ανακύκλωσης ή έναν εξειδικευμένο αντιπρόσωπο λεπτομερείς πληροφορίες για τη σχετική διαδικασία σύμφωνα με τους ισχύοντες κανονισμούς διάθεσης απορριμμάτων.
- ▶ Το προϊόν μπορεί να απορριφθεί δωρεάν.

Atidžiai perskaitykite šį gaminio žinyną ir laikykites visų jame pateiktų nurodymų, rekomendacijų ir įspėjimų, kad įrengtumėte gaminį ir visada juo naudotumėtes bei prižiūrėtumėte tinkamai. Ši instrukcija PRIVALO būti prie gaminio.

Tuo, jog naudojates gaminiu, patvirtinate, kad atidžiai perskaitete visus nurodymus, rekomendacijas ir įspėjimus ir suprantate cia pateiktas nuostatas ir sąlygas bei sutinkate jų laikytis. Sutinkate naudoti šį gaminį tik pagal numatytą paskirtį, numatytoms reikmėms ir laikydamiesi šiame gaminio žinyne pateiktų nurodymų, rekomendacijų ir įspėjimų bei visų galiojančių įstatymų ir kitų teisės aktų. Nepersikaicius ir nesilaikant cia pateiktų nurodymų ir įspėjimų galite susižaloti patys ir sužaloti kitus, sugadinti gaminį arba kitą greta esantį turtą. Šis gaminio žinynas, įskaitant nurodymus, rekomendacijas ir įspėjimus, bei susiję dokumentai, gali būti keičiami ir atnaujinami. Naujausia informacija apie gaminį pateikiama adresu documents.dometic.com, dometic.com.

Susiję dokumentai



Išsamią naudojimo instrukciją ir informaciją apie techninius duomenis rasite internete adresu qr.dometic.com/bf5KY0.

Saugos instrukcijos



ĮSPĖJIMAS!

Taip pat laikykites saugos nurodymų, pateiktų 3 psl. – 4 psl..

Bendroji sauga



ĮSPĖJIMAS! Nesilaikant šių įspėjimų gali grėsti mirtis arba rimtas susižalojimas.

Elektros srovės pavojus

- Nenaudokite prietaiso, jei jis pastebimai pažeistas.
- Jei šio prietaiso kintamosios srovės maitinimo laidas yra pažeistas, jį turi pakeisti gamintojas, klientų aptarnavimo tarnyba arba panašią kvalifikaciją turintis asmuo, kad būtų išvengta grėsmių saugumui.
- Šį prietaisą gali taisyti tik kvalifikuotas personalas. Netinkamai remontuojant gali kilti rimtas pavojus.

Sprogimo pavojus

Prietaise nelaikykite jokių sprogių medžiagų, pavyzdžiui, purškiklių su degiuoju skysčiu.

Gaisro pavojus

Šaldymo grandinėje esantis šaldymo agentas yra labai degus. Pažeidus šaldymo grandinę (jaučiamas amoniako kvapas):

- Išjunkite prietaisą.
- Venkite atviros ugnies ir kibirkščių.
- Gerai išvėdinkite kambarį.

Pavojus sveikatai

- Niekada neatidarykite absorberio bloko. Jis yra veikiamas didelio slėgio, todėl jį atidarius galima susižeisti.
- Šį prietaisą gali naudoti vaikai nuo 8 metų amžiaus ir fizinių, sensorinių arba psichikos sutrikimų turintys arba stokojantys patirties ir žinių asmenys, jeigu jie yra prižiūrimi arba instruktuojami dėl šio prietaiso saugaus naudojimo ir suvokia jo keliamus pavojus.
- Vaikams su šiuo prietaisu žaisti draudžiama.
- Vaikams draudžiama šį prietaisą valyti ir atlikti jo techninę priežiūrą be suaugusiųjų priežiūros.
- Vaikams nuo 3 iki 8 metų leidžiama pakrauti ir iškrauti prietaisus.

Vaikų įstrigimo pavojus

- Įsitikinkite, kad lentynos sumontuotos ir pritvirtintos taip, kad vaikai negalėtų užsirakinti prietaise.
- Prieš išmesdami seną šaldytuvą:
 - išmontuokite stalčius.
 - Palikite lentynas šaldytuve, kad vaikai negalėtų įlipti į vidų.



PERSPĖJIMAS! Nesilaikant šių įspėjimų gali grėsti nedidelis arba vidutinis susižalojimas.

Sužalojimų rizika

- Nekiškite pirštų tarp vyrių.
- Nesiremkite į atidarytas prietaiso dureles.



PRANEŠIMAS! Nesilaikant šių instrukcijų, kyla pavojus sugadinti prietaisą.

- Siekiant išvengti pavojaus, lemputę gali pakeisti tik gamintojas, techninės priežiūros atstovas arba panašią kvalifikaciją turintis asmuo.
- Valydami transporto priemonę nenaudokite aukšto slėgio valymo įrenginių šalia ventilacijos grotelių.
- Kai transporto priemonė valoma iš išorės arba ilgesnį laiką nenaudojama, uždėkite žieminius ventilacijos grotelių dangtelius (priedai).
- Įrenginys netinka gabenti ēsdinančioms medžiagoms arba medžiagoms, kurių sudėtyje yra tirpiklių.
- Įrenginio izoliacijoje yra degaus ciklopentano, todėl jį būtina utilizuoti pagal specialią tvarką. Pasibaigus prietaiso gyvavimo ciklui, priduoakite jį į atitinkamą perdirbimo centrą.
- Kondensacijos angą visada palaikykite švarią.
- Niekada nemerkite prietaiso į vandenį.

- Saugokite prietaisą ir kabelius nuo karščio ir drėgmės.
- Prietaisas turi būti apsaugotas nuo lietaus.

Saugus prietaiso pastatymas ir prijungimas



ĮSPĖJIMAS! Nesilaikant šių įspėjimų gali grėsti mirtis arba rimtas susižalojimas.

Gaisro pavojus

- Užtikrinkite, kad transportuojant prietaiso grandinė nebūtų pažeista.
- Statydami prietaisą įsitinkinkite, kad maitinimo laidas nėra įstrigęs ar pažeistas.
- Atkreipkite dėmesį į kelis nešiojamuosius lizdus arba nešiojamuosius maitinimo šaltinius prietaiso gale.



PRANEŠIMAS! Nesilaikant šių instrukcijų, kyla pavojus sugadinti prietaisą.

Perkaitimo pavojus

- Visada užtikrinkite pakankamą ventilaciją, kad išsisklaidytų darbo metu susidaranti šiluma. Įsitinkinkite, jog prietaisas yra pakankamai toli nuo sienų ir kitų objektų, kad oras galėtų cirkuliuoti.
- Tam, kad šaldymo agentas galėtų tinkamai cirkuliuoti, prietaiso negalima pakreipti daugiau kaip 3° kampu. Norėdami įsitikinti, kad prietaisas yra lygioje padėtyje, naudokite nivelyrą.
- Transportuodami laikykite prietaisą tik už prietaiso korpuso. Niekada nelaikykite prietaiso už absorberio bloko, aušinimo briaunų, dujų vamzdžių, durelių ar valdymo skydelio.
- Nestatykite prietaiso šalia atviros liepsnos ar kitų šilumos šaltinių (šildytuvų, tiesioginių saulės spindulių, dujinių orkaičių ir t. t.).
- Norėdami prijungti prietaisą prie kintamosios srovės tinklo, naudokite tik pridedamą kintamosios srovės jungiamąjį kabelį.
- Pasiteiraukite savo transporto priemonės gamintojo, ar jūsų transporto priemonės akumuliatoriaus valdiklis išjungia prietaisus, kad apsaugotų akumuliatorių.
- Prietaiso dureles ir ledo skyriaus dureles nustatykite į žiemos padėtį, jei neketinate naudoti prietaiso ilgesnį laiką. Taip išvengsite pelėsio susidarymo.

Saugus prietaiso naudojimas



ĮSPĖJIMAS! Nesilaikant šių įspėjimų gali grėsti mirtis arba rimtas susižalojimas.

Elektros srovės pavojus

- Prieš įjungdami prietaisą įsitinkinkite, kad maitinimo šaltinis ir kištukas yra sausi.
- Atjunkite prietaisą nuo maitinimo šaltinio
 - prieš kiekvieną valymą ir techninę priežiūrą,
 - po kiekvieno naudojimo.

Pavojus sveikatai

- Patikrinkite, ar prietaiso šaldymo pajėgumas yra tinkamas maisto produktams, kuriuos norite atšaldyti, laikyti.
- Prietaisą naudokite tik ten, kur yra gera ventiliacija.
- Prietaisą naudokite tik su vienu energijos šaltiniu.
- Maistą galima saugoti tik originalioje pakuotėje ar tinkamose talpyklose.
- Ilgesniam laikui atidarius prietaisą, gali labai pakilti temperatūra prietaiso skyriuose.
- Reguliariai valykite paviršius, kurie gali turėti sąlytį su maistu ir pasiekiamomis drenažo sistemomis.
- Žalią mėsą ir žuvis laikykite atitinkamose talpyklose taip, kad jie nesiliestų su kitais maisto produktais ir nelašėtų ant jų.
- Jei prietaisas ilgesnį laiką laikomas žemesnėje nei +10 °C kambario temperatūroje, ledo skyriuje negalima užtikrinti vienodos temperatūros. Dėl to gali pakilti ledo skyriaus temperatūra ir jame laikomi produktai gali atitirpti.
- Jeigu prietaisas paliekamas tuščias ilgesniam laikui:
 - Išjunkite prietaisą.
 - Atitirpinkite prietaisą.
 - Išvalykite ir nusausinkite prietaisą.
 - Norėdami išvengti pelėsio susidarymo prietaise, palikite praviras dureles.



PERSPĖJIMAS! Nesilaikant šių įspėjimų gali grėsti nedidelis arba vidutinis susižalojimas.

Sužalojimų rizika

- Prieš pradėdami važiuoti, uždarykite ir užrakininkite prietaiso dureles.
- Prietaiso gale esantis šaldymo agregatas veikimo metu labai įkaista. Nuimdami vėdinimo groteles saugokite save nuo sąlyčio su karštomis dalimis.



PRANEŠIMAS! Nesilaikant šių instrukcijų, kyla pavojus sugadinti prietaisą.

- Patikrinkite, ar tipo lentelėje nurodyta įtampa atitinka maitinimo šaltinio įtampą.
- Prietaisąjunkite tik tokiu būdu:
 - Nuolatinės srovės lizdas: Naudokite tik tinkamo skerspjūvio kabelius.
 - Kintamosios srovės lizdas: Naudokite tik pridėtą kintamosios srovės kabelį
- Atjungdami kištuką niekada netraukite už laido.
- Jei prietaisas prijungtas prie nuolatinės srovės lizdo: Nuolatinės srovės režimą (akumulatoriaus režimas) pasirinkite tik tuo atveju, jei naudojate akumulatoriaus monitorių arba jei automobilyje esantis generatorius užtikrina pakankamą įtampą.
- Jei prietaisas prijungtas prie nuolatinės srovės lizdo: išjungę variklį atjunkite prietaisą arba jį išjunkite. Priešingu atveju galite iškrauti akumuliatorių.
- Įsitikinkite, kad ventilacijos angos nėra uždengtos.
- Prietaiso viduje nenaudokite elektros prietaisų, nebent juos tam rekomenduoja gamintojas.
- Vidinio indo nepildykite ledu ar skysčiais.
- Sunkius daiktus, pavyzdžiui, butelius ar skardines, laikykite tik prietaiso durelėse, daržovių skyriuje arba ant apatinės lentynos.

Saugus darbas su dujomis



ĮSPĖJIMAS! Nesilaikant šių įspėjimų gali grėsti mirtis arba rimtas susižalojimas.

Sprogimo pavojus

- Prietaisą naudokite tik esant slėgiui, nurodytam gamintojo plokštelėje. Naudokite tik nacionalines taisykles atitinkančius slėgio reguliatorius su fiksuotu nustatymu. Naudokite slėgio reguliatorių su fiksuotu nustatymu pagal DIN EN 16129.

Uždusimo pavojus

- Naudojant prietaisą su dujomis nevedinamoje patalpoje, sumažės deguonies kiekis toje patalpoje.
- Nenaudokite prietaiso su dujomis nevedinamose patalpose, pavyzdžiui, uždaroje patalpoje, palapinėse, variklinėse transporto priemonėse, varikliniuose autonameliuose, priekabinuose nameliuose, laivuose, jachtose, bagažinėse ir sunkvežimių kabinose.

- Nenaudokite prietaiso patalpose, kurių tūris mažesnis nei 40 m³.
- Niekada nestatykite prietaiso šalia degių medžiagų (popieriaus, sausų lapų, tekstilės).
- Laikykite degius daiktus atokiau nuo degiklio.
- Niekada nelaikykite suskystintų dujų balionų nevedinamose patalpose arba žemiau grunto lygio (piltuvo formos skylėse žemėje).
- Suskystintų dujų balionus laikykite atokiau nuo tiesioginių saulės spindulių. Temperatūra neturi viršyti 50 °C.
- Niekada nenaudokite atviros liepsnos prietaiso sandarumui patikrinti.
- Jei pajutote dujų kvapą:
 - užsukite dujų tiekimo čiaupą ir baliono vožtuvą;
 - nespauskite elektrinio jungiklio;
 - užgesinkite atvirą liepsną;
 - paveskite dujų sistemą patikrinti specialistui.
- Nepalikite prietaiso be priežiūros, kai jis veikia dujų režimu.



PRANEŠIMAS! Nesilaikant šių instrukcijų, kyla pavojus sugadinti prietaisą.

Naudokite tik propano arba butano dujas (ne gamtines dujas).

Paskirtis

Mobilus šaldytuvas skirtas naudoti butyje ir panašiose srityse, pavyzdžiui:

- ūkiuose;
- parduotuvių, biurų ir kitų darbuotojų virtuvėse;
- viešbučių, motelių ir kitų gyvenamųjų patalpų klientams;
- viešbučiuose, teikiančiuose nakvynės ir pusryčių paslaugą;
- maitinimo ir panašios ne mažmeninės prekybos paskirties patalpose.

Prietaisas gali būti naudojamas:

- maisto produktų vėsinimui ir laikymui, taip pat šaldytų maisto produktų laikymui.
- Veikia naudojant nuolatinę srovę, kintamąją srovę arba dujas

Prietaisas neskirtas:

- naudoti kaip įmontuotas prietaisas;
- naudoti labai aukštuose pastatuose, žemiau nei žemės lygis esančiuose patalpose, vonios kamburiuose ir miegamuosiuose;
- naudoti transporto priemonėse;
- naudoti laivuose;
- naudoti patalpose, kurių tūris mažesnis nei 40 m³, pvz., kurių plotas 4 x 4 m, o aukštis 2,50 m;
- naudoti nepakankamai ventiliuojamose vietose; Pakankamai ventiliuojamomis laikomos patalpos, kuriose per valandą oras pasikeičia daugiau nei kartą ir kurių langai bei durys nėra sandariai uždaryti. Patalpose turi būti bent vienas langas, kurį galima atidaryti, arba tiesiai į lauką vedančios durys
- laikyti vaistus;
- laikyti išdinančias medžiagas arba medžiagas, kurių sudėtyje yra tirpiklių.

Šis gaminį galima naudoti tik pagal numatytą paskirtį ir vadovaujantis šiomis instrukcijomis.

Šioje instrukcijoje pateikiama informacija, kuri yra reikalinga tinkamam prietaiso montavimui ir (arba) eksploatavimui. Dėl prasto įrengimo ir (arba) netinkamo naudojimo būdo ar techninės priežiūros gaminyje gali netinkamai veikti ir sugesti.

Gamintojas nepriima atsakomybės už patirtus sužeidimus ar žalą gaminiui, atsiradusią dėl šių priežasčių:

- Neteisingo surinkimo ar prijungimo, įskaitant perteklinę įtampą
- Netinkamos techninės priežiūros arba jeigu buvo naudotos neoriginalios, gamintojo nepateiktos atsarginės dalys
- Gaminio pakeitimai be aiškaus gamintojo leidimo
- Naudojimas kitais tikslais, nei nurodyta šiame vadove

„Dometic“ pasilieka teisę keisti gaminio išvaizdą ir specifikacijas.

Įrengimas ir eksploatavimas

Atlikite veiksmus, kaip parodyta 5 psl. – 13 psl.:

- Įrenginio pastatymas: **1** pav.
- Įrenginio prijungimas prie nuolatinės srovės maitinimo šaltinio: **2** pav.
- Prietaiso prijungimas prie kintamosios srovės šaltinio: **3** pav.
- Prietaiso prijungimas prie dujų: **4** pav. – **5** pav.
- 12 V maitinimo šaltinio įjungimas: **6** pav.
- 24 V maitinimo šaltinio įjungimas: **7** pav.
- Dujų tiekimo sistemos įjungimas: **8** pav.
- Maisto produktų dėjimas: **9** pav.
- Įrenginio išjungimas: **10** pav.
- Dujų filtro keitimas: **11** pav.
- Degiklio akumuliatoriaus keitimas: **12** pav.
- Degiklio valymas: **13** pav.

Garantija

Taikomas įstatymų nustatytas garantinis laikotarpis. Jei gaminys pažeistas, kreipkitės į mažmeninę arba į gamintojo atstovybę savo šalyje (žr. dometic.com/dealer).

Jei reikalingas remontas ir garantinis aptarnavimas, pristatydami gaminį pateikite šiuos dokumentus:

- Kvito kopiją su nurodyta pirkimo data
- Pretenzijos priežastį arba gedimo aprašymą

Atkreipkite dėmesį, kad remontas savo jėgomis arba neprofesionalus remontas gali turėti pasekmių saugumui ir gali panaikinti garantiją.

Utilizavimas



ĮSPĖJIMAS! Vaikų įstrigimo pavojus

Išmontuokite visas prietaiso dureles, kad galėtumėte išmesti seną prietaisą, o lentynėles palikite prietaise, kad išvengtumėte atsitiktinio užsidarymo ir vaikų asfiksijos.

Pakavimo medžiagos perdirbimas



- ▶ Jei įmanoma, pakavimo medžiagą sudėkite į atitinkamas perdirbimo šiukšliadėžes.

Gaminių, kurių sudėtyje yra nekeičiami akumuliatoriai, įkraunami akumuliatoriai ir šviesos šaltiniai perdirbimas



- ▶ Jei gaminio sudėtyje yra nekeičiamų akumuliatorių, įkraunamų akumuliatorių ar šviesos šaltinių, prieš utilizuojant jų išimti nereikia.



- ▶ Jei norite utilizuoti gaminį, kreipkitės į vietinį perdirbimo centrą arba specializuotą prekybos atstovą, kuris nurodys, kaip tai padaryti pagal galiojančias atliekų šalinimo taisykles.
- ▶ Produktą galima utilizuoti nemokamai.

Lūdzu, rūpīgi izlasiet šīs lietošanas rokasgrāmatas norādījumus un ievērojiet visus norādījumus, vadlīnijas un brīdinājumus, kas ietverti šajā produkta rokasgrāmatā, lai nodrošinātu, ka produkts vienmēr tiek pareizi uzstādīts, lietots un apkopts. Šie norādījumi ir JĀGLABĀ kopā ar produktu.

Lietojot šo produktu jūs apstiprināt, ka visi norādījumi, vadlīnijas un brīdinājumi ir izlasīti, saprasti, un jūs piekrītat ievērot noteikumus un nosacījumus, kas izklāstīti šajā rokasgrāmatā. Jūs piekrītat lietot šo produktu tikai tam paredzētajam nolūkam un pielietojumam, un saskaņā ar norādījumiem, vadlīnijām un brīdinājumiem, kas izklāstīti šajā produkta rokasgrāmatā, kā arī saskaņā ar piemērojamiem tiesību aktiem un noteikumiem. Neizlasot un neievērojot instrukcijas un brīdinājumus, kas izklāstīti šajā rokasgrāmatā, varat radīt savainojumus sev un citiem, nodarīt bojājumus produktam vai bojājumus citam tuvumā esošajam īpašumam. Šī produkta rokasgrāmatā, tostarp norādījumi, vadlīnijas un brīdinājumi, un saistītā dokumentācija var mainīties vai tikt atjaunota. Lai iegūtu jaunāko produkta informāciju, lūdzu, apmeklējiet vietni documents.dometic.com, dometic.com.

Saistītā dokumentācija



Detalizētu lietošanas rokasgrāmatu un tehnisko datu informāciju atradīsiet tiešsaistē vietnē qr.dometic.com/bf5KYO.

Drošības norādes



BRĪDINĀJUMS!

Ievērojiet arī drošības norādījumus 3. lpp.-4. lpp..

Vispārīga drošība



BRĪDINĀJUMS! Šo brīdinājumu neievērošana var izraisīt nāvējošas vai smagas traumas.

Nāvējoša elektrošoka risks

- Nelietojiet ierīci, ja tai ir redzami bojājumi.
- Ja šīs ierīces elektrības vads ir bojāts, tā nomaiņu drīkst veikt ražotājs, tā klientu apkalpošanas dienests vai līdzvērtīgi kvalificēta persona, lai izvairītos no drošības apdraudējuma.
- Šīs ierīces remontu drīkst veikt tikai kvalificēts speciālists. Nepareizs remonts var izraisīt nopietnu apdraudējumu.

Sprādzienbīstamība

Šajā ierīcē neuzglabājiet sprādzienbīstamas vielas, piemēram, aerosolu baloniņus ar uzliesmojošām vielām.

Ugunsdrošības apdraudējums

Aukstumaģenta sistēmā esošais aukstumaģents ir ļoti viegli uzliesmojošs. Ja ir bojāta aukstumaģenta sistēma (jūtama amonjaka smaka):

- izslēdziet ierīci;
- nepieļaujiet atklātas liesmas un dzirksteļu klātbūtni;
- labi izvēdiniet telpu.

Apdraudējums veselībai

- Nekādā gadījumā neatveriet absorbācijas ierīci. Tajā ir augsts spiediens, un, to atverot, var gūt savainojumus.
- Bērni, kas sasnieguši 8 gadu vecumu, un personas ar ierobežotām fiziskām, uztveres vai garīgām spējām vai bez pieredzes un zināšanām šo ierīci drīkst lietot tikai tad, ja šādas personas tiek uzraudzītas vai ir saņēmušas norādījumus par ierīces drošu lietošanu, un ir izpratušas iespējamus riskus.
- Neļaujiet bērniem rotaļāties ar ierīci.
- Bērni drīkst tīrīt ierīci un veikt tās apkopi tikai pieaugušo uzraudzībā.
- Bērniem vecumā no 3 līdz 8 gadiem ir atļauts piekraut un izkraut ierīces.

Bērnu iesprostošanas risks

- Nodrošiniet, ka plaukti ir uzstādīti un nostiprināti tā, lai bērni nevarētu sevi ieslēgt ierīcē.
- Pirms atbrīvošanās no jūsu vecā ledusskapja:
 - demontējiet atvilktnes;
 - atstājiet plauktus ledusskapī, lai bērni nevarētu tajā ierāpties.



ESIET PIESARDZĪG! Šo brīdinājumu neievērošana var izraisīt vieglas vai vidēji smagas traumas.

Traumu risks

- Sargājiet pirkstus no eņģēm.
- Neatbalstieties uz atvērtām ierīces durvīm.



NEMIET VĒRĀ! Šo norādījumu neievērošana var izraisīt ierīces bojājumus.

- Lai izvairītos no bīstamības, spuldzi nomainīt drīkst tikai ražotājs, servisa pārstāvis vai atbilstoši kvalificēta persona.
- Mazgājot transportlīdzekli, neizmantojiet augstspiediena mazgātāju ventilācijas režģa zonā.
- Aizsedziet ventilācijas režģi ar pārsegu (papildu piederumi), kad mazgājat transportlīdzekli no ārpusē vai ilgāku laiku to neizmantojat.
- Ierīce nav piemērota kodīgu vai šķīdinātājus saturošu materiālu transportēšanai.

- Ierīces izolācijas sastāvā ir uzliesmojoša viela ciklopentāns, kam ir nepieciešami īpaši utilizēšanas pasākumi. Ierīces kalpošanas laika beigās nododiet to atbilstošā atkritumu pārstrādes punktā.
- Kondensāta atverei vienmēr ir jābūt tīrai.
- Nekādā gadījumā neiegremdējiet ierīci ūdenī.
- Sargājiet ierīci un vadus no karstuma un mitruma.
- Ierīce ir jāsargā no lietus.

Droša ierīces novietošana un pievienošana



BRĪDINĀJUMS! Šo brīdinājumu neievērošana var izraisīt nāvējošas vai smagas traumas.

Ugunsdrošības apdraudējums

- Pārlicinieties, ka ierīces kontūrs transportējot nav bojāts.
- Novietojiet ierīci tā, lai elektrības vads netiktu saspiesti vai bojāts.
- Nenovietojiet aiz ierīces pagarinātājus ar vairākām kontaktligzdām vai pārnēsājamos barošanas avotus.



NEMIET VĒRĀ! Šo norādījumu neievērošana var izraisīt ierīces bojājumus.

Pārkaršanas risks

- Vienmēr nodrošiniet pietiekamu ventilāciju, lai ierīces radītais siltums var izkļūst. Pārlicinieties, ka ierīce ir pietiekamā attālumā no sienām un citiem objektiem, lai nodrošinātu gaisa cirkulāciju.
- Lai nodrošinātu pareizu aukstumaģenta cirkulāciju, nesasveriet ierīci vairāk par 3°. Izmantojiet līmenrādi, lai pārlicinātos, ka ierīce novietota līdzeni.
- Pārvietojot ierīci, turiet to tikai aiz korpusa. Neturiet ierīci aiz absorbcijas ierīces, dzesēšanas ribām, gāzes caurulvadiem, durvīm vai vadības paneļa.
- Nenovietojiet ierīci atklātas liesmas vai citu siltuma avotu (sildītāju, tiešu saules staru, gāzes plīšu u.c.) tuvumā.
- Izmantojiet tikai ierīces komplektā esošo maiņstrāvas savienojuma vadu, lai pievienotu ierīci maiņstrāvas elektrotīklam.
- Noskaidrojiet pie sava transportlīdzekļa ražotāja, vai jūsu transportlīdzekļa akumulatora vadības sistēma izslēdz ierīces, lai pasargātu akumulatoru.

- Novietojiet ierīces durvis un saldēšanas nodalījuma durvis ziemas režīma pozīcijā, ja šo ierīci ilgāku laiku neizmantojiet. Šādi iespējams novērst pelējuma rašanos.

Droša iekārtas lietošana



BRĪDINĀJUMS! Šo brīdinājumu neievērošana var izraisīt nāvējošas vai smagas traumas.

Nāvējoša elektrošoka risks

- Pirms ierīces ieslēgšanas pārlicinieties, ka elektrības vads un kontaktdakša ir sausa.
- Atvienojiet ierīci no elektroenerģijas avota
 - pirms tīrīšanas un apkopes
 - pēc katras lietošanas reizes

Apdraudējums veselībai

- Pārlicinieties, vai ierīces dzesēšanas jauda ir atbilstoša, lai uzglabātu pārtikas produktus, ko vēlaties atdzesēt.
- Izmantojiet ierīci tikai vietā ar labu ventilāciju.
- Darbiniet ierīci tikai no viena elektroenerģijas avota.
- Pārtikas produktus drīkst uzglabāt tikai oriģinālajā iepakojumā vai piemērotos traukos.
- Ilgstoša ierīces atvēršana var izraisīt būtisku temperatūras paaugstināšanos ierīces nodalījumos.
- Regulāri notīriet virsmas, kas var nonākt saskarē ar pārtiku, un izplūdes sistēmas, kurām var piekļūt.
- Jēlu gaļu un zivis ierīcē turiet piemērotos traukos, lai tās nesaskartos ar citu ēdienu un nevarētu uz tā nopīlēt.
- Ja ierīce ilgstoši pakļauta par +10 °C zemākas temperatūras iedarbībai, saldēšanas nodalījumā nav iespējams garantēt vienmērīgu temperatūru. Šādos gadījumos temperatūra saldēšanas nodalījumā var paaugstināties, un tajā uzglabātie produkti var atkust.
- Ja ierīce ilgstoši tiek atstāta tukša:
 - izslēdziet ierīci;
 - atkausējiet ierīci;
 - iztīriet un izžāvējiet ierīci;
 - atstājiet durvis atvērtas, lai ierīcē neveidotos pelējums.



ESIET PIESARDZĪGI! Šo brīdinājumu neievērošana var izraisīt vieglas vai vidēji smagas traumas.

Traumu risks

- Pirms brauciena uzsākšanas aizveriet un aizslēdziet ierīces durvis.
- Ierīces aizmugurē esošais dzesēšanas agregāts darbības laikā kļūst ļoti karsts. Pasargājiet sevi no saskares ar karstām detaļām, noņemot ventilācijas režģus.



NEMIET VĒRĀ! Šo norādījumu neievērošana var izraisīt ierīces bojājumus.

- Pārliecinieties, ka barošanas avota spriegums atbilst uz marķējuma plāksnītes norādītajam.
- Pievienojiet ierīci tikai šādi:
 - Līdzstrāvas kontaktligzda: izmantojiet tikai barošanas vadus ar atbilstošu šķērs griezumu.
 - Maiņstrāvas kontaktligzda: izmantojiet tikai ierīces komplektā esošo maiņstrāvas barošanas vadu.
- Nekādā gadījumā neatvienojiet kontaktdakšu no kontaktligzdas, velkot aiz vada.
- Ja ierīce ir pievienota līdzstrāvas kontaktligzdai: Izvēlieties līdzstrāvas režīmu (akumulatora režīms) tikai tad, ja izmantojat akumulatora monitoru, vai transportlīdzekļa ģenerators spēj nodrošināt pietiekamu spriegumu.
- Ja ierīce ir pievienota līdzstrāvas kontaktligzdai: atvienojiet vai izslēdziet ierīci, izslēdzot dzinēju. Pretējā gadījumā var izlādēties akumulators.
- Nodrošiniet, lai ventilācijas atveres nebūtu aizklātas.
- Nelietojiet ierīces iekšpusē elektroierīces, izņemot tādas, kuru lietošanu šādam nolūkam ir paredzējis ražotājs.
- Nepiepildiet iekšējo nodalījumu ar ledu vai šķidrumiem.
- Smagus priekšmetus, piemēram, pudeles vai bundžas, novietojiet tikai ierīces durvīs, dārzenų nodalījumā vai apakšējā plauktā.

Droša gāzes izmantošana



BRĪDINĀJUMS! Šo brīdinājumu neievērošana var izraisīt nāvējošas vai smagas traumas.

Sprādzienbīstamība

- Darbiniet ierīci tikai ar tādu spiedienu, kāds norādīts uz marķējuma plāksnītes. Izmantojiet tikai valsts noteikumiem atbilstošus spiediena regulatorus ar fiksētu iestatījumu. Izmantojiet spiediena regulatoru ar fiksētu iestatījumu atbilstoši standartam DIN EN 16129.

Nosmakšanas risks

- Izmantojot ierīci ar gāzi, neventilētā platībā tiek samazināts telpā esošā skābekļa daudzums.
- Neizmantojiet ierīci ar gāzi neventilētās zonās, piemēram, slēgtās telpās, teltīs, autotransporta līdzekļos, autofurgonos, dzīvojamās piekabēs, kuģos, jahtās, bagāžas nodalījumos un autovadītāja kabīnēs.
- Neizmantojiet šo ierīci telpās, kuru kubatūra ir mazāka par 40 m³.
- Nekad nenovietojiet ierīci uzliesmojošu materiālu tuvumā (papīrs, sausas lapas, tekstilizstrādājumi).
- Sargāt uzliesmojošus priekšmetus no degļa.
- **Nekad** neuzglabājiet sašķidrinātās gāzes balonus neventilētās platībās vai zem zemes (piltuves formas atveres zemē).
- Sargāt sašķidrinātās gāzes balonus no tiešiem saules stariem. Temperatūra nedrīkst pārsniegt 50 °C.
- Nekad neizmantojiet atklātu liesmu, lai meklētu ierīces noplūdes.
- Ja sajūtat gāzes smaku:
 - aizveriet gāzes padeves krānu un balona ventili;
 - nespiediet elektrisko slēdzi;
 - nodzēsiet jebkādu atklātu liesmu;
 - Lieciet speciālistam pārbaudīt gāzes sistēmu.
- Gāzes režīmā nekad neatstājiet ierīci bez uzraudzības.



NEMIET VĒRĀ! Šo norādījumu neievērošana var izraisīt ierīces bojājumus.

Izmantojiet tikai propānu vai butānu (nevis dabasgāzi).

Paredzētais izmantošanas mērķis

Mobilā dzesēšanas ierīce ir paredzēta lietošanai sadzīves un līdzīgām vajadzībām, piemēram:

- lauku mājās;
- personāla virtuvēs veikalos, birojos un citās darba vietās;
- viesnīcu, moteļu un citu veidu uzturēšanās vietu klientiem;
- pansijas veida uzturēšanās vietās;
- pārtikas produktu piegādei un līdzīgam pielietojumam, kas nav saistīts ar mazumtirdzniecību.

Ierīce ir piemērota:

- ēdiena atdzesēšanai un uzglabāšanai, kā arī sasaldēta ēdiena uzglabāšanai;
- darbībai, izmantojot līdzstrāvu, maiņstrāvu vai gāzi.

Šī ierīce **nav** piemērota:

- lietošanai iebūvētā veidā;
- lietošanai augstceltnēs, telpās, kas atrodas augstāk par zemes līmeni, vannas istabās un guļamistabās;
- lietošanai transportlīdzekļos;
- lietošanai laivās;
- lietošanai telpās, kuru kubatūra ir mazāka par 40 m³, piemēram, telpās ar 4 x 4 m izmēru un 2,50 m augstiem griestiem;
- lietošanai slikti vēdinātās zonās;
Labi vēdinātas telpas ir telpas, kurā vairāk nekā vienreiz stundā notiek gaisa apmaiņa un logi un durvis nav hermētiski noslēgti. Telpās ir jābūt vismaz vienam logam, ko var atvērt, vai durvīm, kuras var atvērt tieši uz ārpusi.
- medikamentu uzglabāšanai;
- kodīgu vai šķīdinātājus saturošu materiālu uzglabāšanai.

Šis produkts ir piemērots tikai paredzētajam mērķim un lietojumam saskaņā ar šo instrukciju.

Šajā rokasgrāmatā ir sniegta nepieciešamā informācija par ierīces pareizu uzstādīšanu un/vai lietošanu. Nekvalitatīva uzstādīšana un/vai nepareiza lietošana vai apkope izraisīs neatbilstošu darbību un iespējamus bojājumus.

Ražotājs neuzņemas atbildību par savainojumiem vai produkta bojājumiem, kas radušies šādu iemeslu dēļ:

- nepareiza montāža vai pievienošana, tostarp pārmērīgs spriegums;
- nepareiza apkope vai tādu neoriģinālo rezerves daļu, kuras nav piegādājis ražotājs, lietošana;
- produkta modifikācijas, kuras ražotājs nav nepārprotami apstiprinājis;
- lietošana citiem mērķiem, kas nav aprakstīti šajā rokasgrāmatā.

Dometic patur tiesības mainīt produkta ārējo izskatu un specifikācijas.

Uzstādīšana un lietošana

Rikojieties, kā norādīts no 5. lpp. līdz 13. lpp. lpp.

- leriņas novietošana: att. **1**
- leriņas pievienošana līdzstrāvas avotam: att. **2**
- leriņas pievienošana maiņstrāvas avotam: att. **3**
- leriņas pievienošana gāzes avotam: att. **4** – att. **5**
- 12 V barošanas avota ieslēgšana: att. **6**
- 24 V barošanas avota ieslēgšana: att. **7**
- Gāzes padeves ieslēgšana: att. **8**
- Pārtikas produktu novietošana: att. **9**
- leriņas izslēgšana: att. **10**
- Gāzes filtra maiņa: att. **11**
- Aizdedzes baterijas nomaiņa: att. **12**
- Degļa tīrīšana: att. **13**

Garantija

Ir spēkā likumā noteiktais garantijas periods. Produkta bojājumu gadījumā sazinieties ar tirgotāju vai ražotāja filiāli savā valstī (skatiet dometic.com/dealer).

Nosūtot produktu remontam garantijas ietvaros, pievienojiet šādus dokumentus:

- čeka kopiju, kurā norādīts iegādes datums;
- pretenzijas iesniegšanas iemeslu vai bojājuma aprakstu.

Ņemiet vērā, ka pašrocīgi vai neprofesionāli veikts remonts var radīt drošības riskus, un garantija var tikt anulēta.

Atkritumu pārstrāde



BRĪDINĀJUMS! Bērnu iesprostošanas risks

Pirms atbrīvošanās no ierīces demontējiet visas durvis un neizņemiet plauktus, lai novērstu bērnu nejaušu ieslēgšanos un nosmakšanu.

Iepakojuma materiālu pārstrāde



- ▶ Ja iespējams, iepakojuma materiālus izmetiet atbilstošos atkritumu šķirošanas konteineros.

Produktu pārstrāde, kuri satur iebūvētus akumulatorus, atkārtoti uzlādējamus akumulatorus vai gaismas avotus



- ▶ Ja produktam ir iebūvēts akumulators, atkārtoti uzlādējams akumulators vai gaismas avots, to pirms utilizācijas nav nepieciešams demontēt.



- ▶ Ja vēlaties utilizēt nolietoto produktu, sazinieties ar vietējo atkritumu šķirošanas centru vai specializēto izplatītāju, lai noskaidrotu, kā to pareizi izdarīt saskaņā ar spēkā esošajiem atkritumu apsaimniekošanas noteikumiem.
- ▶ Produktu iespējams utilizēt bez maksas.



dometic.com

YOUR LOCAL DEALER

dometic.com/dealer

YOUR LOCAL SUPPORT

dometic.com/contact

YOUR LOCAL SALES OFFICE

dometic.com/sales-offices