

↗ DOMETIC

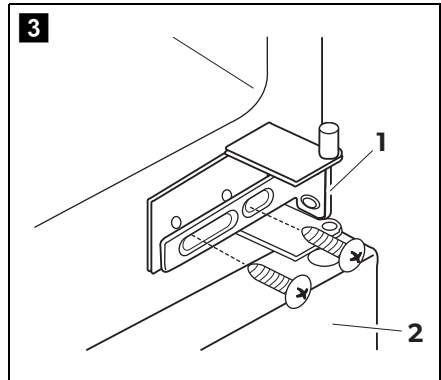
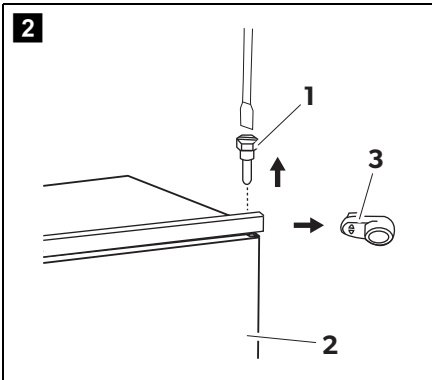
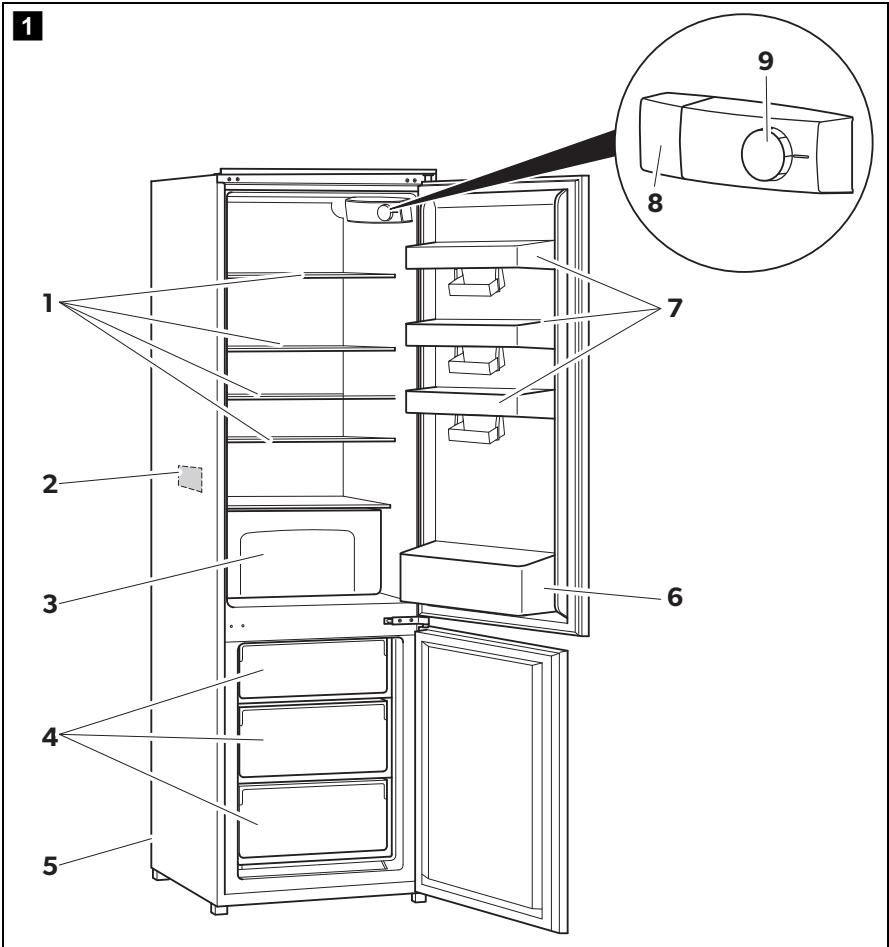
REFRIGERATION

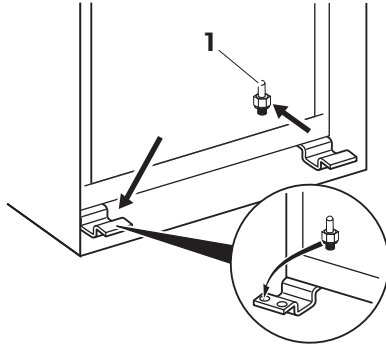
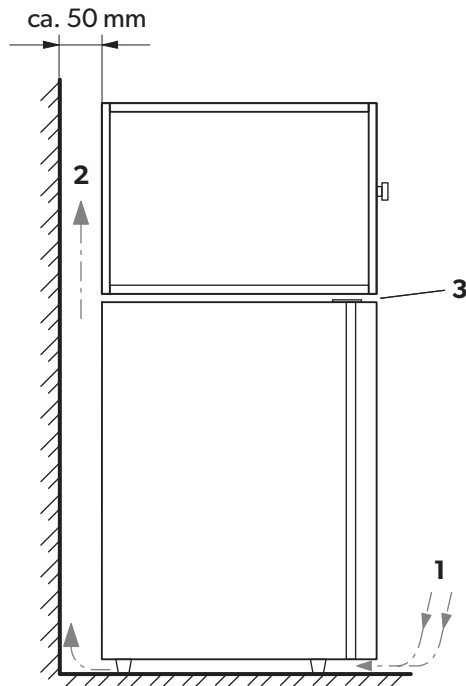
COOLMATIC

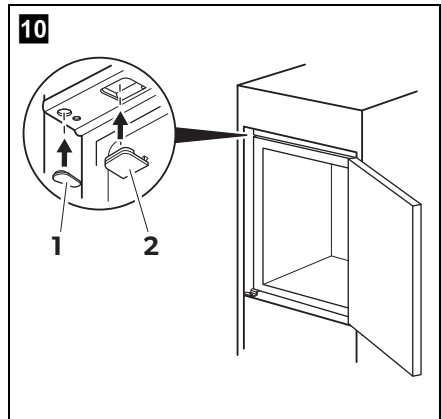
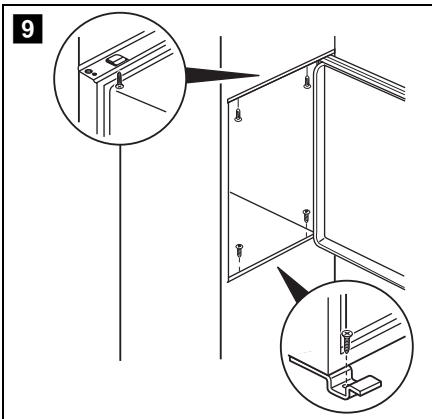
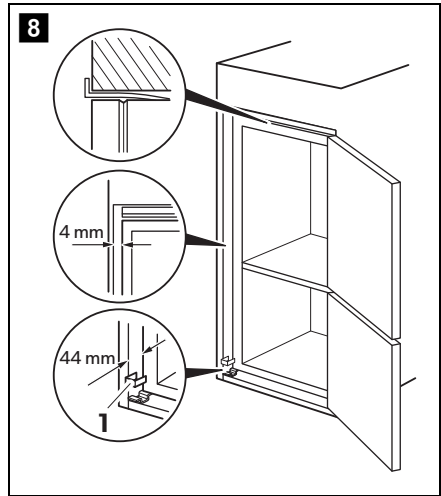
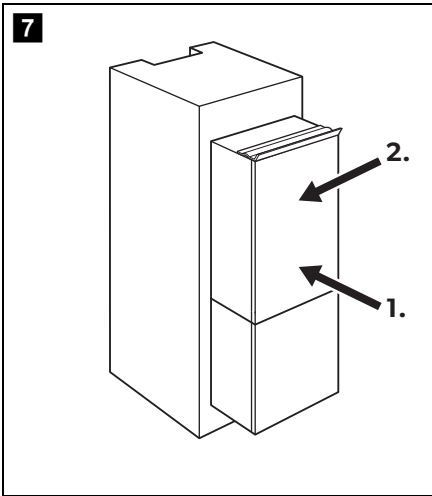
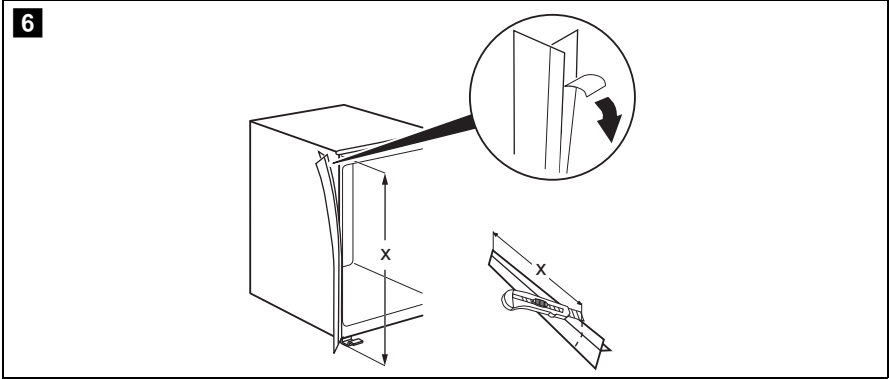


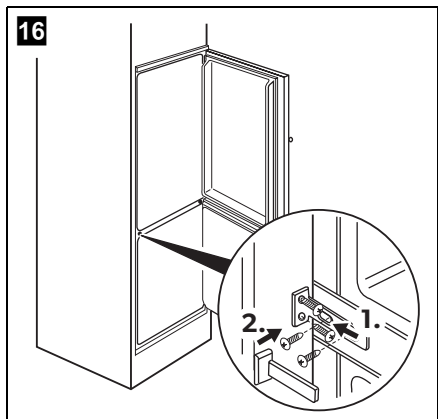
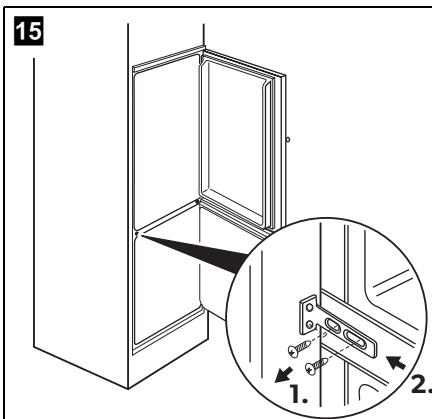
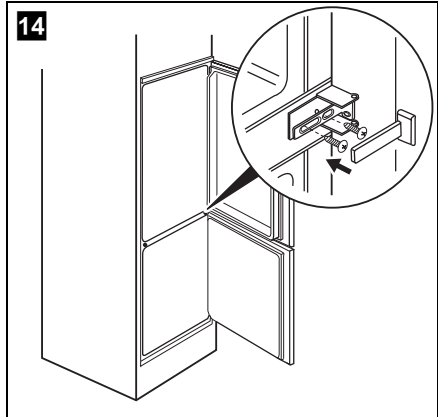
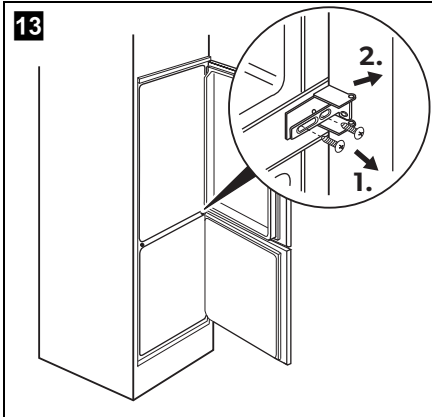
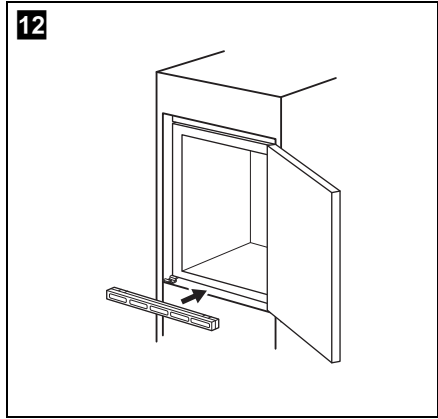
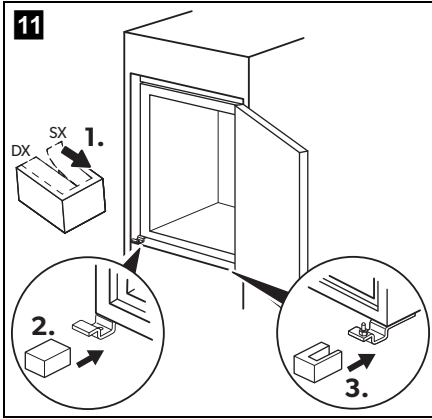
HDC275

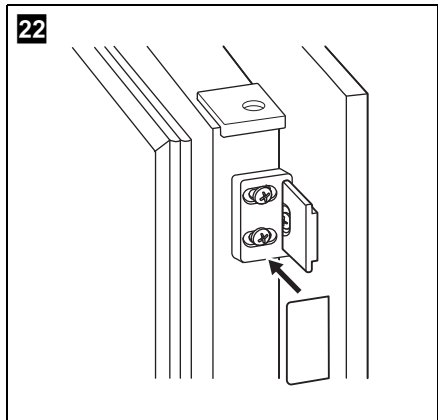
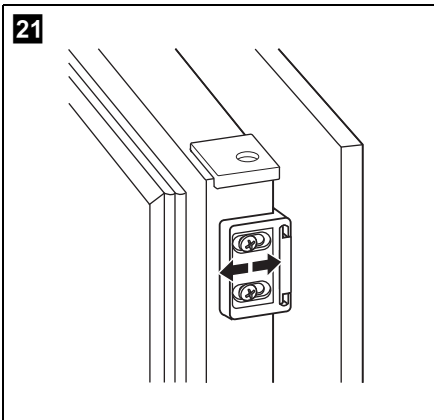
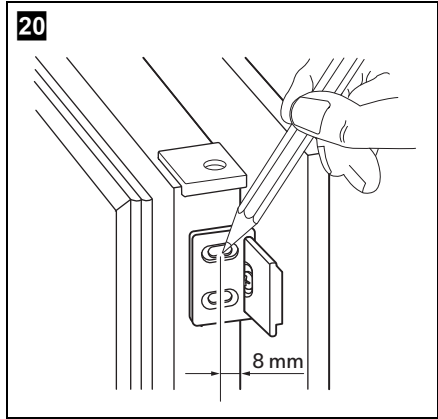
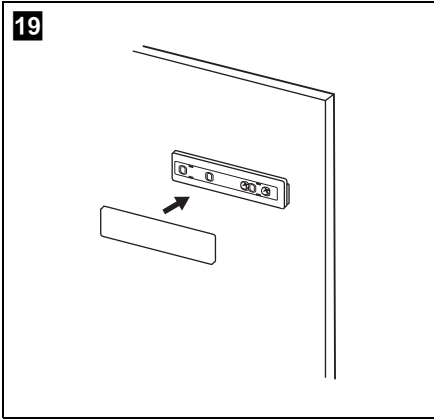
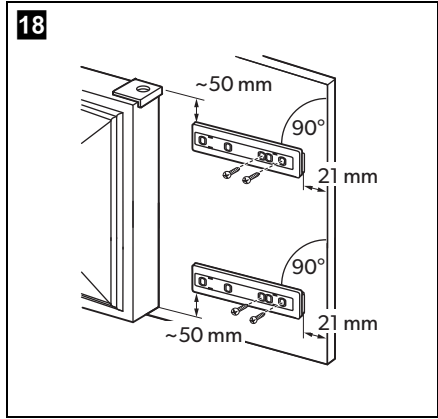
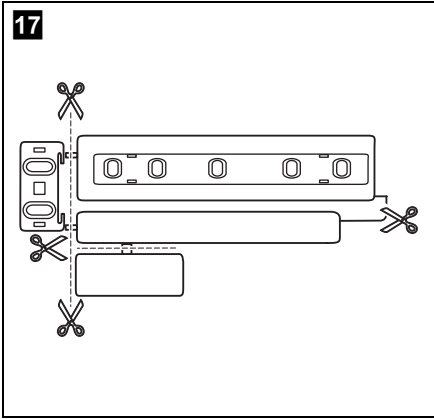
EN	Compressor refrigerator Installation and Operating Manual	11
DE	Kompressor-Kühlschrank Montage- und Bedienungsanleitung	32
FR	Réfrigérateur à compression Instructions de montage et de service	54
NL	Compressorkoelkast Montagehandleiding en gebruiksaanwijzing	76

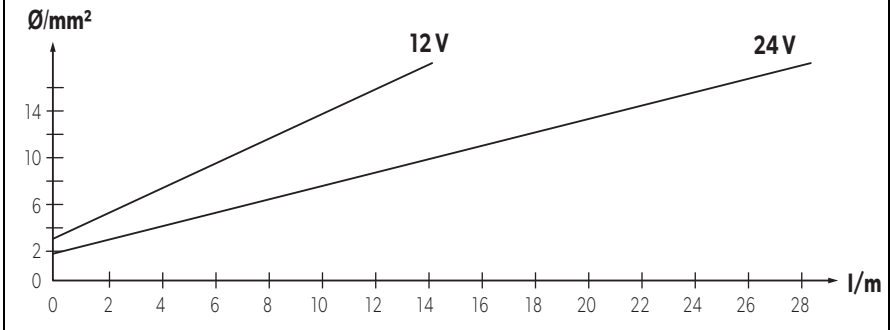
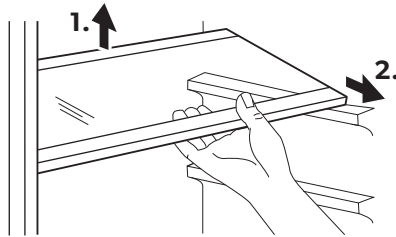


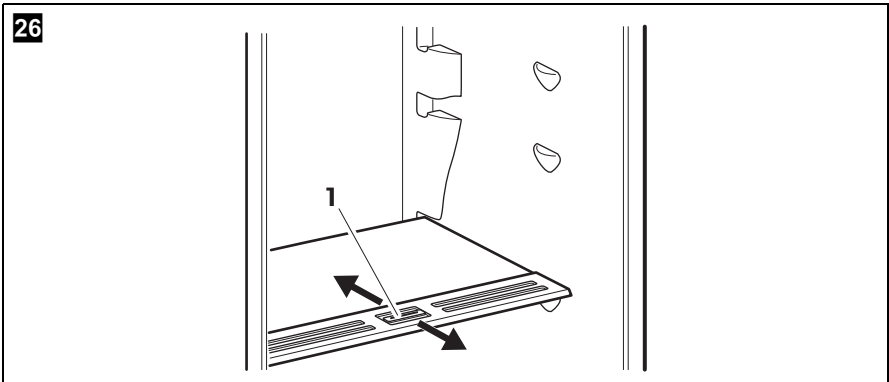
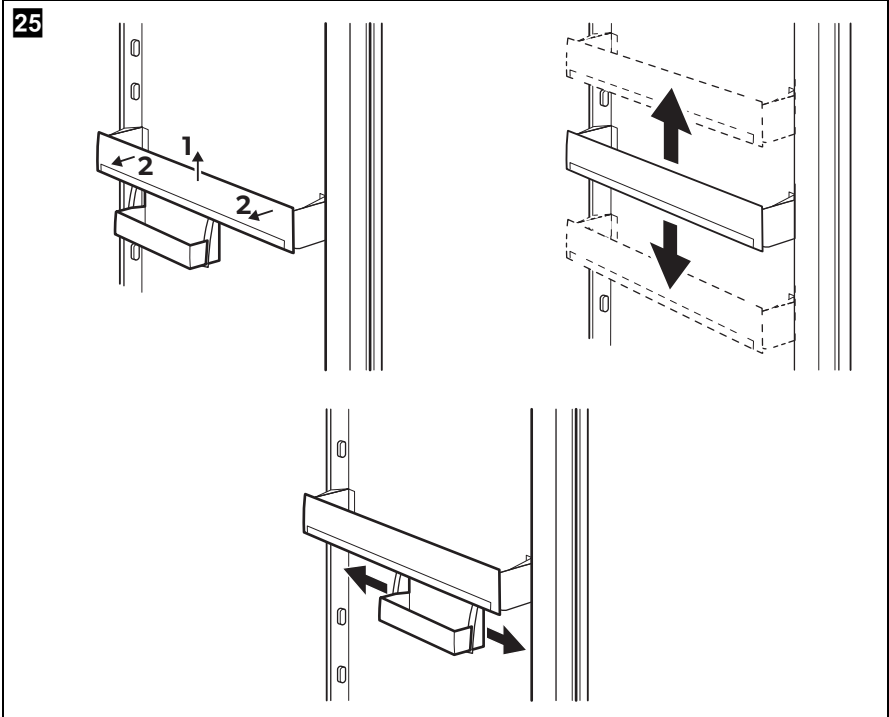
4**5**

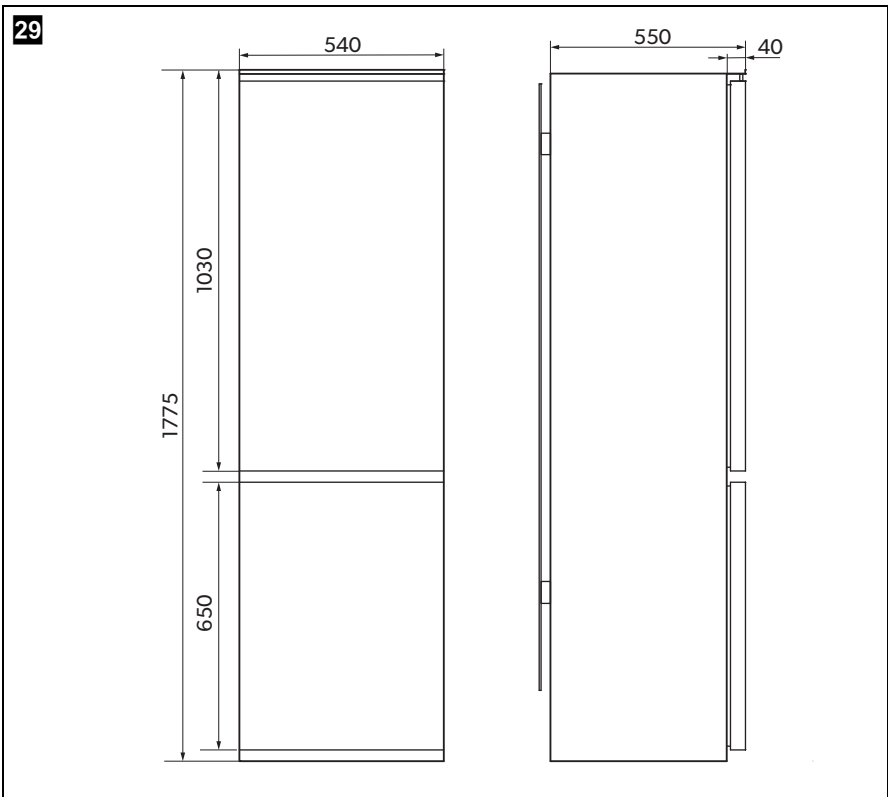
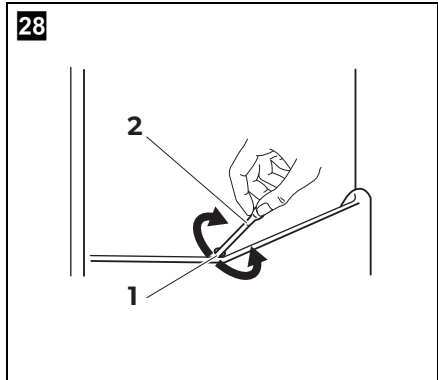
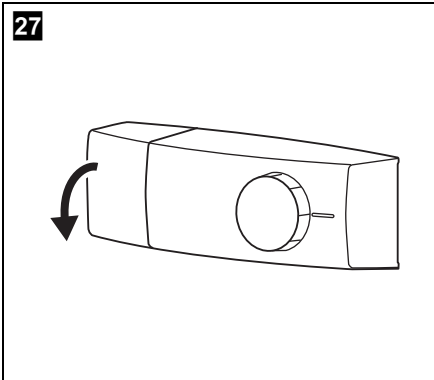






23**24**





Please read this instruction manual carefully before installation and first use, and store it in a safe place. If you pass on the product to another person, hand over this instruction manual along with it.

Table of contents

1	Explanation of symbols	12
2	Safety instructions	12
3	Scope of delivery	15
4	Accessories	15
5	Intended use	15
6	Technical description	16
7	Installing and connecting the refrigerator	17
8	Using the refrigerator	20
9	Cleaning and maintenance	26
10	Warranty	27
11	Disposal	27
12	Troubleshooting	28
13	Technical data	31

1 Explanation of symbols

**DANGER!**

Safety instruction: Failure to observe this instruction will cause fatal or serious injury.

**WARNING!**

Safety instruction: Failure to observe this instruction can cause fatal or serious injury.

**CAUTION!**

Safety instruction: Failure to observe this instruction can lead to injury.

**NOTICE!**

Failure to observe this instruction can cause material damage and impair the function of the product.

**NOTE**

Supplementary information for operating the product.

2 Safety instructions

The manufacturer accepts no liability for damage in the following cases:

- Faulty assembly or connection
- Damage to the product resulting from mechanical influences and excess voltage
- Alterations to the product without express permission from the manufacturer
- Use for purposes other than those described in the operating manual

2.1 General safety

**WARNING!**

- Have a qualified technician perform the installation in wet rooms.
- Do not operate the device if it is visibly damaged.
- If this device's power cable is damaged, it must be replaced by the manufacturer, customer service or a similarly qualified person in order to prevent safety hazards.

- This device may only be repaired by qualified personnel. Inadequate repairs may cause serious hazards.
- This device can be used by children aged 8 years or over, as well as by persons with diminished physical, sensory or mental capacities or a lack of experience and knowledge, providing they are supervised, or have been taught how to use the device safely and are aware of the resulting risks.
- Cleaning and user maintenance must not be carried out by children without supervision.
- Children must be supervised to ensure that they do not play with the device.
- Always keep and use the device out of the reach of children under 8 years of age.
- Do not store any explosive substances, such as spray cans with propellants, in the device.

**CAUTION!**

- Danger of crushing! Do not put your fingers into the hinge.
- Foodstuff may only be stored in its original packaging or in suitable containers.

**NOTICE!**

- Check that the voltage specification on the type plate is the same as that of the power supply.
- Never pull the plug out of the socket by the connection cable.
- Disconnect the refrigerator and other electric consumers from the battery before connecting the quick charging device.
- Disconnect the refrigerator or switch it off when you turn off the engine. Otherwise you may discharge the battery.
- The refrigerator is not suitable for storing substances which are caustic or contain solvents.
- Keep the drainage outlet clean at all times.
- Do not open the refrigerant circuit under any circumstances.
- Never transport the device in a horizontal position, so that no oil can leak out of the compressor.

- Make sure that the refrigerator circuit is not damaged during transportation. The refrigerant in the refrigerator circuit is highly flammable. In the event of any damage to the refrigerator circuit:
 - Avoid naked flames and sparks.
 - Air the room well.
- Set up the device in a dry location where it is protected against splashing water.

2.2 Operating the device safely



DANGER!

- Do not touch exposed cables with your bare hands.



CAUTION!

- Before starting the device, ensure that the power supply line and the plug are dry.
- If you connect the device to a battery, make sure that no food comes into contact with the battery acid.



NOTICE!

- Do not use electrical devices inside the cooling device unless they are recommended by the manufacturer for that purpose.
- Do not place it near naked flames or other heat sources (heaters, direct sunlight, gas ovens etc.)
- **Danger of overheating!**
Always ensure sufficient ventilation so that the heat generated during operation can dissipate. Make sure that the device is sufficiently far away from walls and other objects so that the air can circulate.
- Ensure that the ventilation vents are not covered.
- Do not fill the inner container with ice or fluid.
- Never immerse the appliance in water.
- Protect the appliance and the cable against heat and moisture.
- Make sure that foodstuffs do not touch the walls of the cooling area.

3 Scope of delivery

Quantity	Description
1	Refrigerator
1	Assembly kit for changing the door hinge
1	Operating manual

4 Accessories

Available as accessories (not included in the scope of delivery):

Description	Ref. no.
MPS80 mains adapter	9600000442

5 Intended use

The HDC275 refrigerator (ref. no. 9105204439) is suitable for refrigerating foodstuffs and storing frozen foodstuffs.

The device is also suitable for use on boats.



CAUTION! Health hazard!

Please check if the cooling capacity of the device is suitable for storing the food or medicine you wish to cool.

6 Technical description

6.1 Function description

The refrigerator is suitable for use with a 12 V or 24 V DC voltage and can therefore also be used e.g. for camping or on boats.

When used on boats the refrigerator can be subjected to a constant inclination of 30°.

The refrigerator can chill products down to +0 °C to +10 °C and keep them cool. In the freezer compartment, frozen items can be stored at -18 °C to 0 °C. You can use the adjustable temperature control to set the desired temperature.

All materials used in the refrigerator are compatible for use with foodstuffs. The refrigerant circuit is maintenance-free.

6.2 Control elements

No. in fig. 1, page 3	Description
1	Shelf
2	Type plate (inside)
3	Fruit and vegetable compartment
4	Freezer compartment
5	Condenser and compressor (on the back)
6	Bottle holder
7	Door compartment
8	Inner lighting
9	Temperature controller

7 Installing and connecting the refrigerator

Please note the following instructions for installation on boats:



DANGER!

If the device is powered by the mains, ensure that the power supply has a residual current circuit breaker.



NOTICE!

The device can be tilted sideways up to 30°. When setting up the refrigerator, note that it must be fastened to take account of this. If you have any questions regarding installation, consult your specialist dealer.

7.1 Changing the door hinge

You can also change the hinge of the doors, so that the doors open to the left rather than the right.

- Unscrew and remove the top bolts (fig. **2** 1, page 3).
- Remove the upper door (fig. **2** 2page 3).
- Remove the spacer (fig. **2** 3, page 3).
- Remove the middle hinge (fig. **3** 1, page 3).
- Remove the lower door (fig. **3** 2page 3).
- Unscrew and remove the bottom bolts (fig. **4** 1, page 4).

On the opposite side:

- Fasten the bottom bolts.
- Attach the lower door.
- Fasten the middle hinge firmly.
- Fit the spacer.
- Attach the upper door.
- Fasten the top bolts.

7.2 Installing the refrigerator

Observe the following instructions when installing:

- Install the refrigerator so that the warm air produced can easily flow away (either upwards or to the sides, fig. **5**, page 4).

Key for fig. **5**, page 4

No.	Explanation
1	Cold intake air
2	Hot waste air
3	Spacing above the refrigerator if there is not sufficient air to circulate above or at the side.

- Leave the device to stand for at least four hours before you connect it to the power supply so that the oil can flow back into the compressor.

Proceed as follows to install the refrigerator:

- Shorten the sealing strip if required and fit it on the refrigerator (fig. **6**, page 5).
- Install the refrigerator as shown in the illustrations (fig. **7**, page 5 to fig. **16**, page 6).

Please note the following:

- fig. **8**, page 5: You can make sure that the space between the refrigerator and the installation opening is right by using the bottom hinge cover.
- fig. **11**, page 6: Remove the DX part for right-hand hinges and the SX part for left-hand hinges.
- Fix the cover panel to the refrigerator door as shown in the illustrations (fig. **17**, page 7 to fig. **22**, page 7).

7.3 Connecting the refrigerator to the power supply



NOTICE!

- To avoid voltage drops and loss of performance, keep the connection cable as short as possible and not be interrupted. Therefore avoid additional switches, plugs or power strips.
 - Disconnect the cooling device and other electric consumers from the battery before you connect the battery to a quick charging device.
- Overvoltage can damage the electronics of the device.

The refrigerator can be operated with a 12 V $\overline{=}$ or 24 V $\overline{=}$ voltage supply.

For safety reasons, the refrigerator is equipped with an electronic system to prevent the polarity being reversed. This protects the refrigerator against reversed polarity when connecting to a battery and against short circuiting.

To protect the battery, the refrigerator switches off automatically if the voltage is insufficient (see table below).

	12 V	24 V
Cut-off voltage	10.4 V	22.8 V
Cut-in voltage	11.7 V	24.2 V

- Determine the required cross section of the cable in relation to the cable length according to fig. 23, page 8.

Key for fig. 23, page 8

Coordinate axis	Meaning	Unit
l	Cable length	m
∅	Cable cross section	mm ²



NOTICE!

Make sure the polarity is correct.

- Before starting up the device for the first time, check whether the operating voltage and the battery voltage match (see type plate).

- ▶ Connect the refrigerator
 - as directly as possible to the poles of the battery or
 - to a plug socket which is fuse protected with at least 15 A (at 12 V) or 7.5 A (at 24 V).

8 Using the refrigerator



NOTE

Before starting your new refrigerator for the first time, you should clean it inside and outside with a damp cloth for hygienic reasons (please also refer to the chapter "Cleaning and maintenance" on page 26).

8.1 Energy saving tips

- Choose a well ventilated location which is protected from direct sunlight.
- Allow warm food to cool down first before placing it in the device to keep cool.
- Do not open the refrigerator more often than necessary.
- Do not leave the doors open for longer than necessary.
- Defrost your refrigerator as soon as a layer of ice forms.
- Avoid unnecessarily low temperature settings.
- Clean dust and dirt from the condenser at regular intervals.

8.2 Using the refrigerator

The fridge conserves fresh foodstuffs. You can also conserve frozen foodstuffs in the freezer compartment.



CAUTION! Health hazard!

- Never put any items back in the freezer compartment which have started defrosting or have been defrosted; consume them as soon as possible.
- Make sure that you only put items in the cooler which may be kept at the selected temperature.



NOTICE!

Ensure that food or liquids in glass containers are not excessively refrigerated. Liquids expand when they freeze and can therefore destroy glass containers.

- Switch the refrigerator on by turning the temperature control (fig. **1** 9 page 3) away from the "0" position.
- ✓ After switching on, the refrigerator requires approx. 180 seconds until the compressor starts up.

Setting the temperature

You can set the temperature to any level using the temperature control (fig. **1** 9, page 3). The built-in thermostat regulates the temperature as follows:

- 1 = lowest cooling capacity
- 6 = highest cooling capacity

Generally, a setting in the middle is the most suitable.



NOTE

The cooling performance can be affected by:

- the ambient temperature
- the amount of food to be conserved
- the frequency with which the door is opened.

Conserving foodstuffs

You can conserve foodstuffs in the refrigerator. The time for which the food can be conserved in this way is usually stated on the package.



NOTICE!

Do not conserve **warm** foodstuffs in the refrigerator.
Do not place glass containers containing liquid in the freezer compartment.

- Observe the temperature information and best before date on the food packaging.
- Observe the following when using the refrigerator:
 - Never re-freeze products which have started defrosting or have been defrosted; consume them as soon as possible.
 - Food which can easily absorb tastes and odours and liquids and products with a high alcohol content should be conserved in air-tight containers.
 - Wrap food in aluminium foil or cling film and shut in a suitable box with a lid. This ensures that aromas, the shape and the freshness will be better conserved.

8.3 Dividing the interior space

You can divide the interior space of the refrigerator variably by arranging the shelves and the door compartments according to your needs.

Arranging the shelves (fig. 24, page 8)

- Lift the shelf up at the back and pull it towards the front until the front part slides out of the guides.
- Lift the shelf and pull it out completely while tilted slightly.
- Select the required position and guide the shelf back in by proceeding in the reverse sequence.

Arranging the door compartments (fig. 25, page 9)

- Press the door compartments into the required position.

8.4 Regulating the humidity

You can regulate the humidity for the fruit and vegetable compartment. To do this you can open or close the ventilation grille in the shelf above the fruit and vegetable compartment (fig. **26**, page 9):

- Open the ventilation grille (**1**) to reduce the humidity level.
- Close the ventilation grille (**1**) to increase the humidity level.

8.5 Replacing the interior light

If the interior light in the refrigerator is faulty, you can change the bulb (LED bulb, E14, 12/24 V, 1.2 W).

To do this, proceed as follows (fig. **27**, page 10):

- Disconnect the power supply.
- Take off the cover.
- Screw the bulb out of the socket.
- Screw the new bulb into the socket.
- Remount the cover.
- Reconnect the refrigerator to the power.

8.6 Defrosting the refrigerator



NOTE

In high ambient temperatures, the refrigerator may operate continuously, which can lead to excessive formation of frost on the rear wall of the refrigerator compartment. If this is the case, turn the temperature control (fig. **1** 9, page 3) down to a lower level ("1" or "2").

Humidity can cause frost to form in the interior of the refrigerator or on the vaporiser. This reduces the cooling capacity. The refrigerator compartment is defrosted automatically while the compressor is not running.

A slight layer of frost or water droplets could form in the interior of the refrigerator if it has been cooling for longer periods. This is normal because the moisture in the air condenses to water when the temperature in the refrigerator drops. The refrigerator is **not** defective.

The condensate drains away through a trough into a special container at the back of the unit via the compressor, where it evaporates.

► Wipe the insides of the refrigerator with a dry cloth as required.

If the layer of frost is thicker than 3mm, you should defrost the freezer compartment.

Defrosting the freezer compartment



NOTICE!

Never use hard or sharp tools to remove ice or to free objects frozen onto the device.
This can damage the refrigerator.

To defrost the freezer compartment, proceed as follows:

- Empty the contents.
- If necessary, put them in another cooling device to keep them chilled.
- Disconnect the power supply.
- Leave the ice to defrost.
- Once the ice has melted completely, clean the refrigerator (see chapter “Cleaning and maintenance” on page 26).
- Reconnect the refrigerator to the power.
- Run the refrigerator for approx. three hours at level “5”.
- Place the goods for cooling into the refrigerator.
- Set the temperature control to the desired level.

8.7 Switching off and storing the refrigerator

If you do not intend to use the refrigerator for a long time, proceed as follows:

- Switch the refrigerator off by turning the temperature control (fig. **1** 9 page 3) to the “0” position.
- Disconnect the connection cable from the battery or pull the DC cable plug out of the rectifier.
- Clean the refrigerator (see chapter “Cleaning and maintenance” on page 26).
- Leave the door slightly open.
This prevents smells from building up.

9 Cleaning and maintenance



WARNING!

Always disconnect the refrigerator from the mains before you clean and service it.



NOTICE!

- Do not use abrasive cleaning agents or hard objects during cleaning as these can damage the refrigerator.
- Never use hard or sharp tools to remove ice or to free objects frozen onto the device.
- Do not use any mechanical tools or any other tools to speed up the defrosting process.

- Clean the refrigerator regularly and as soon as it becomes dirty with a damp cloth.
- Make sure that no water drips into the seals. This can damage the electronics.
- Wipe the refrigerator dry with a cloth after cleaning.
- Check the condensate drain regularly.

Clean the condensate drain when necessary. If it is blocked the condensate collects on the bottom of the refrigerator.

The condensate drain is located at the back, above the fruit and vegetable compartment. To clean the condensate drain (fig. 28 1, page 10), use the cleaning tool (fig. 28 2, page 10) located in the drain opening.

- Regularly clean the door seals.
- Clean the grid of the condenser and the compressor on the back of the device with a brush.

10 Warranty

The statutory warranty period applies. If the product is defective, please contact the manufacturer's branch in your country (see the back of the instruction manual for the addresses) or your retailer.

For repair and guarantee processing, please include the following documents when you send in the device:

- A copy of the receipt with purchasing date
- A reason for the claim or description of the fault

11 Disposal



WARNING! Children beware!

Before disposing of your old refrigerator:

- Dismantle the drawers.
- Leave the shelves in the refrigerator so that children cannot climb inside.



NOTICE!

An insulating gas is used in the device (see type plate). Check with the relevant local government authority or your local waste disposal company about proper disposal and make sure that the device and all materials are disposed of professionally.

- Place the packaging material in the appropriate recycling waste bins wherever possible.



If you wish to finally dispose of the product, ask your local recycling centre or specialist dealer for details about how to do this in accordance with the applicable disposal regulations.

12 Troubleshooting

Compressor does not run

Fault	Possible cause	Remedy
$U_{\text{TERM}} = 0 \text{ V}$	There is an interruption in the battery – electronics connection	Establish a connection
	Main switch faulty (if installed)	Replace the main switch
	Additional supply line fuse has blown (if installed)	Replace the supply line fuse
$U_{\text{TERM}} \leq U_{\text{ON}}$	Battery voltage is too low	Charge the battery
Start attempt with $U_{\text{TERM}} \leq U_{\text{OFF}}$	Loose cables	Establish a connection
	Poor contact (corrosion)	
	Battery capacity too low	Replacing the battery
Start attempt with $U_{\text{TERM}} \geq U_{\text{ON}}$	Cable cross section too small	Change the cable (see table on page 19)
	Ambient temperature too high	–
	Insufficient ventilation	Move the refrigerator to another location
	Condenser is dirty	Clean the condenser
Fan defective (if installed)		Replace the fan
Electric circuit between the pins in the compressor interrupted	Defective compressor	Replace the compressor

U_{TERM} Voltage between the positive and negative terminals of the electronics

U_{ON} Cut-in voltage of the electronics

U_{OFF} Cut-off voltage of the electronics

Interior temperature too low at control level "1"

Fault	Possible cause	Remedy
Compressor runs constantly	Thermostat sensor has no contact to the vaporiser	Secure the sensor
	Short circuit in the thermostat line Thermostat defective	Change the thermostat
Compressor runs for a long time	Large quantities have been frozen in the freezer compartment	–

Poor cooling, increase in interior temperature

Fault	Possible cause	Remedy
Compressor runs for a long time/continuously	Vaporiser is iced over	Defrost the vaporiser
	Ambient temperature too high	–
	Insufficient ventilation	Move the refrigerator to another location
	Condenser is dirty	Clean the condenser
Compressor does not run often	Fan defective (if installed)	Replace the fan
	Battery capacity exhausted	Charge the battery

Water in or under the refrigerator

Fault	Possible cause	Remedy
Water is leaking into the inside of the refrigerator.	The water drain duct is clogged.	Clean the drain.
	Foodstuffs are preventing the water from flowing to the collector.	Make sure that foodstuffs do not touch the rear wall.
Water is leaking onto the floor.	There is too much water in the air deflector.	Clean the air deflector.

Unusual noises

Fault	Possible cause	Remedy
Loud humming	A component of the refrigerant circuit cannot move freely (touching the wall)	Bend the component carefully away from the obstruction
	There is a foreign object stuck between the cooling unit and the wall	Remove the foreign object
	Fan noise (if installed)	–

13 Technical data

	HDC 275
Ref. no.:	9105204439
Refrigerator compartment capacity:	202 l
Freezer compartment capacity:	75 l
Connection voltage:	12 V $\overline{=}$ or 24 V $\overline{=}$
Mean power consumption:	61 W
Power consumption at 25 °C/32 °C:	3.3 Ah/h / 5.1 Ah/h
Cooling temperature range	
Refrigerator compartment:	0 °C to +10 °C
Freezer compartment:	-18 °C to 0 °C
Capacity:	277 l
Climatic class:	ST(+16 °C to +38 °C)
Relative humidity:	maximum 90 %
Constant inclination:	maximum 30°
Coolant quantity:	180 g
CO ₂ equivalent:	0.257 t
Global warming potential (GWP):	1430
Dimensions:	see fig. 29 , page 10
Weight:	Approx. 52 kg
Inspection/certification:	

The refrigerant circuit contains R134a.

Contains fluorinated greenhouse gases

Hermetically sealed equipment

Bitte lesen Sie diese Anleitung vor Einbau und Inbetriebnahme sorgfältig durch und bewahren Sie sie auf. Geben Sie sie im Falle einer Weitergabe des Produktes an den Nutzer weiter.

Inhaltsverzeichnis

1	Erklärung der Symbole	33
2	Sicherheitshinweise	33
3	Lieferumfang	36
4	Zubehör	36
5	Bestimmungsgemäßer Gebrauch	37
6	Technische Beschreibung	37
7	Kühlschrank aufstellen und anschließen	38
8	Kühlschrank benutzen	42
9	Reinigung und Pflege	48
10	Gewährleistung	49
11	Entsorgung	49
12	Störungen beseitigen	50
13	Technische Daten	53

1 Erklärung der Symbole

**GEFAHR!**

Sicherheitshinweis: Nichtbeachtung führt zu Tod oder schwerer Verletzung.

**WARNUNG!**

Sicherheitshinweis: Nichtbeachtung kann zu Tod oder schwerer Verletzung führen.

**VORSICHT!**

Sicherheitshinweis: Nichtbeachtung kann zu Verletzungen führen.

**ACHTUNG!**

Nichtbeachtung kann zu Materialschäden führen und die Funktion des Produktes beeinträchtigen.

**HINWEIS**

Ergänzende Informationen zur Bedienung des Produktes.

2 Sicherheitshinweise

Der Hersteller übernimmt in folgenden Fällen keine Haftung für Schäden:

- Montage- oder Anschlussfehler
- Beschädigungen am Produkt durch mechanische Einflüsse und Überspannungen
- Veränderungen am Produkt ohne ausdrückliche Genehmigung vom Hersteller
- Verwendung für andere als die in der Anleitung beschriebenen Zwecke

2.1 Allgemeine Sicherheit



WARNUNG!

- Lassen Sie Installationen in Feuchträumen nur vom Fachmann verlegen.
- Wenn der Kühlschrank sichtbare Beschädigungen aufweist, dürfen Sie ihn nicht in Betrieb nehmen.
- Wenn das Anschlusskabel dieses Kühlschranks beschädigt wird, muss es durch den Hersteller, seinen Kundendienst oder eine ähnlich qualifizierte Person ersetzt werden, um Gefährdungen zu vermeiden.
- Reparaturen an diesem Kühlschrank dürfen nur von Fachkräften durchgeführt werden. Durch unsachgemäße Reparaturen können erhebliche Gefahren entstehen.
- Dieser Kühlschrank kann von Kindern ab 8 Jahren und darüber sowie von Personen mit verringerten physischen, sensorischen oder mentalen Fähigkeiten oder Mangel an Erfahrung und Wissen benutzt werden, wenn sie beaufsichtigt oder bezüglich des sicheren Gebrauchs des Kühlschranks unterwiesen wurden und die daraus resultierenden Gefahren verstehen.
- Reinigung und Benutzer-Wartung dürfen nicht von Kindern ohne Beaufsichtigung durchgeführt werden.
- Kinder sollten beaufsichtigt werden, um sicherzustellen, dass sie nicht mit dem Kühlschrank spielen.
- Verwahren und benutzen Sie den Kühlschrank außerhalb der Reichweite von Kindern unter 8 Jahren.
- Lagern Sie keine explosionsfähigen Stoffe wie z. B. Sprühdosen mit brennbarem Treibgas im Kühlschrank.



VORSICHT!

- Quetschgefahr! Fassen Sie nicht in das Scharnier.
- Lebensmittel dürfen nur in Originalverpackungen oder geeigneten Behältern eingelagert werden.



ACHTUNG!

- Vergleichen Sie die Spannungsangabe auf dem Typenschild mit der vorhandenen Energieversorgung.
- Ziehen Sie den Stecker nie am Anschlusskabel aus der Steckdose.
- Klemmen Sie Ihren Kühlschrank und andere Verbraucher von der Fahrzeugbatterie ab, bevor Sie ein Schnellladegerät anschließen.

- Trennen Sie die Verbindung oder schalten Sie den Kühlschrank aus, wenn Sie den Motor ausschalten. Sonst kann die Fahrzeugbatterie entladen werden.
- Der Kühlschrank ist nicht geeignet für die Lagerung ätzender oder lösungsmittelhaltiger Stoffe.
- Halten Sie die Abflussöffnung stets sauber.
- Öffnen Sie auf keinen Fall den Kühlkreislauf.
- Transportieren Sie den Kühlschrank niemals in waagerechter Stellung, damit kein Öl aus dem Kompressor auslaufen kann.
- Achten Sie beim Transport darauf, den Kühlkreislauf nicht zu beschädigen. Das Kältemittel im Kühlkreislauf ist leicht entflammbar. Bei einer Beschädigung des Kühlkreislaufs:
 - Vermeiden Sie offenes Feuer und Zündfunken.
 - Lüften Sie den Raum gut.
- Stellen Sie den Kühlschrank an einem trockenen und gegen Spritzwasser geschützten Platz auf.

2.2 Sicherheit beim Betrieb des Kühlschranks



GEFAHR!

- Fassen Sie nie mit bloßen Händen an blanke Leitungen.



VORSICHT!

- Achten Sie vor der Inbetriebnahme darauf, dass Zuleitung und Stecker trocken sind.
- Wenn Sie den Kühlschrank an eine Fahrzeugbatterie anschließen, stellen Sie sicher, dass Lebensmittel nicht mit Batteriesäure in Berührung kommen.



ACHTUNG!

- Benutzen Sie keine Elektrogeräte innerhalb des Kühlschranks, außer wenn diese Elektrogeräte vom Hersteller dafür empfohlen werden.
- Stellen Sie den Kühlschrank nicht in der Nähe von offenen Flammen oder anderen Wärmequellen (Heizung, starke Sonneneinstrahlung, Gasöfen usw.) ab.

- **Überhitzungsgefahr!**
Achten Sie stets darauf, dass beim Betrieb entstehende Wärme ausreichend abgeführt werden kann. Sorgen Sie dafür, dass der Kühlschrank in ausreichendem Abstand zu Wänden oder Gegenständen steht, sodass die Luft zirkulieren kann.
- Achten Sie darauf, dass die Lüftungsöffnungen nicht abgedeckt werden.
- Füllen Sie keine Flüssigkeiten oder Eis in den Innenbehälter.
- Tauchen Sie den Kühlschrank nie in Wasser.
- Schützen Sie den Kühlschrank und die Kabel vor Hitze und Nässe.
- Achten Sie darauf, dass die Speisen keine Wand des Kühlraums berühren.

3 Lieferumfang

Menge	Bezeichnung
1	Kühlschrank
1	Montagesatz zum Ändern des Türanschlags
1	Bedienungsanleitung

4 Zubehör

Als Zubehör erhältlich (nicht im Lieferumfang enthalten):

Bezeichnung	Art.-Nr.
Netzadapter MPS80	9600000442

5 Bestimmungsgemäßer Gebrauch

Der Kühlschrank HDC 275 (Art.-Nr. 9105204439) eignet sich zum Kühlen von Lebensmitteln und zum Lagern von tiefgekühlten Lebensmitteln.

Das Gerät ist auch für den Betrieb auf Booten geeignet.



VORSICHT! Gesundheitsgefahr!

Prüfen Sie bitte, ob die Kühlleistung des Gerätes den Anforderungen der Lebensmittel oder Medikamente entspricht, die Sie kühlen wollen.

6 Technische Beschreibung

6.1 Funktionsbeschreibung

Der Kühlschrank ist geeignet für den Einsatz an einer Gleichspannung von 12 V oder 24 V und kann somit z. B. auch beim Camping oder auf Booten eingesetzt werden.

Beim Einsatz auf Booten kann der Kühlschrank einer Dauer-Krängung von 30° ausgesetzt werden.

Der Kühlschrank kann Waren auf 0 °C bis +10 °C abkühlen und kühl halten. Im Gefrierfach können Waren auf bis zu -18 °C bis 0 °C abgekühlt und tiefgekühlt werden. Über einen Temperaturregler kann die gewünschte Temperatur stufenlos eingestellt werden.

Alle im Kühlschrank verwendeten Materialien sind unbedenklich für Lebensmittel. Der Kühlkreislauf ist wartungsfrei.

6.2 Bedienelemente

Nr. in Abb. 1, Seite 3	Beschreibung
1	Ablage
2	Typenschild (innen)
3	Obst- und Gemüsefach
4	Gefrierfach
5	Kondensator und Kompressor (Rückseite)
6	Flaschenhalter
7	Türfach
8	Innenbeleuchtung
9	Temperaturregler

7 Kühlschrank aufstellen und anschließen

Bitte beachten Sie speziell bei der Installation auf Booten folgende Hinweise:



GEFAHR!

Sorgen Sie bei Netzbetrieb unbedingt dafür, dass Ihre Stromversorgung über einen FI-Schalter abgesichert ist!



ACHTUNG!

Das Gerät ist für eine Krängung von bis zu 30° ausgelegt. Beachten Sie beim Aufstellen des Kühlschranks, dass das Gerät für diese Gegebenheiten gesichert sein muss. Wenden Sie sich bei Fragen zur Installation an einen ausgewiesenen Fachbetrieb.

7.1 Türanschlag ändern

Sie können den Anschlag der Türen ändern, so dass die Türen nach links statt nach rechts aufschwingen.

- Lösen und entfernen Sie den oberen Bolzen (Abb. **2** 1, Seite 3).
- Entfernen Sie die obere Tür (Abb. **2** 2, Seite 3).
- Nehmen Sie das Distanzstück ab (Abb. **2** 3, Seite 3).
- Lösen Sie das mittlere Scharnier (Abb. **3** 1, Seite 3).
- Entfernen Sie die untere Tür (Abb. **3** 2, Seite 3).
- Lösen und entfernen Sie den unteren Bolzen (Abb. **4** 1, Seite 4).

Auf der gegenüberliegenden Seite:

- Befestigen Sie den unteren Bolzen.
- Bringen Sie die untere Tür an.
- Befestigen Sie das mittlere Scharnier.
- Setzen Sie das Distanzstück ein.
- Bringen Sie die obere Tür an.
- Befestigen Sie den oberen Bolzen.

7.2 Kühlschrank einbauen

Beachten Sie folgende Hinweise beim Einbau:

- Stellen Sie den Kühlschrank so auf, dass die erwärmte Luft gut abziehen kann (entweder nach oben oder zu den Seiten, Abb. **5**, Seite 4).

Legende zu Abb. **5**, Seite 4

Nr.	Erklärung
1	kalte Zuluft
2	warme Abluft
3	Abstand oberhalb, wenn nach oben oder zur Seite nicht genügend Abluft zirkulieren kann

- Lassen Sie das Gerät mindestens vier Stunden stehen, bevor Sie es elektrisch anschließen, damit das Öl in den Kompressor zurückfließen kann.

Gehen Sie wie folgt vor, um den Kühlschrank einzubauen:

- Schneiden Sie bei Bedarf den Dichtungstreifen zu, und bringen Sie ihn am Kühlschrank an (Abb. **6**, Seite 5).
- Bauen Sie den Kühlschrank ein wie in den Abbildungen gezeigt (Abb. **7**, Seite 5, bis Abb. **16**, Seite 6).

Beachten Sie folgende Hinweise:

- Abb. **8**, Seite 5: Sie können mit der unteren Scharnierabdeckung sicherstellen, dass der Abstand zwischen Kühlschrank und Einbauöffnung richtig ist.
- Abb. **11**, Seite 6: Entfernen Sie bei rechten Scharnieren das Teil DX, bei linken Scharnieren das Teil SX.
- Befestigen Sie das Abdeckpanel an der Kühlschranktür wie in den Abbildungen gezeigt (Abb. **17**, Seite 7, bis Abb. **22**, Seite 7).

7.3 Kühlschrank elektrisch anschließen



ACHTUNG!

- Um Spannungs- und Leistungsverluste zu vermeiden, sollte das Anschlusskabel möglichst kurz und nicht unterbrochen sein. Vermeiden Sie deshalb zusätzliche Schalter, Stecker oder Verteilerdosen.
- Klemmen Sie das Gerät und andere Verbraucher von der Batterie ab, bevor Sie die Batterie mit einem Schnellladegerät aufladen. Überspannungen können die Elektronik der Geräte beschädigen.

Der Kühlschrank kann mit 12 V oder mit 24 V Gleichspannung betrieben werden.

Zur Sicherheit ist der Kühlschrank mit einem elektronischen Verpolungsschutz ausgestattet, der den Kühlschrank gegen Verpolung beim Batterieanschluss und gegen Kurzschluss schützt.

Zum Schutz der Batterie schaltet sich der Kühlschrank automatisch ab, wenn die Spannung nicht mehr ausreicht (siehe folgende Tabelle).

	12 V	24 V
Ausschaltspannung	10,4 V	22,8 V
Wiedereinschaltspannung	11,7 V	24,2 V

- Bestimmen Sie den notwendigen Querschnitt des Kabels in Abhängigkeit von der Kabellänge gemäß Abb. 23, Seite 8.

Legende zu Abb. 23, Seite 8

Koordinatenachse	Bedeutung	Einheit
l	Kabellänge	m
∅	Kabelquerschnitt	mm ²



ACHTUNG!

Achten Sie auf die richtige Polarität.

- Kontrollieren Sie vor Inbetriebnahme des Gerätes, ob die Betriebsspannung und die Batteriespannung übereinstimmen (siehe Typenschild).

- ▶ Schließen Sie Ihren Kühlschrank
 - möglichst direkt an die Pole der Batterie an oder
 - an einen Steckplatz an, der mit mindestens 15 A (bei 12 V) bzw. 7,5 A (bei 24 V) abgesichert ist.

8 Kühlschrank benutzen



HINWEIS

Bevor Sie den neuen Kühlschrank in Betrieb nehmen, sollten Sie ihn aus hygienischen Gründen innen und außen mit einem feuchten Tuch reinigen (siehe auch Kapitel „Reinigung und Pflege“ auf Seite 48).

8.1 Tipps zum Energiesparen

- Wählen Sie einen gut belüfteten und vor Sonnenstrahlen geschützten Einsatzort.
- Lassen Sie warme Speisen erst abkühlen, bevor Sie sie im Kühlschrank kühl halten.
- Öffnen Sie den Kühlschrank nicht häufiger als nötig.
- Lassen Sie die Türen nicht länger offen stehen als nötig.
- Tauen Sie den Kühlschrank ab, sobald sich eine Eisschicht gebildet hat.
- Vermeiden Sie eine unnötig tiefe Innentemperatur.
- Befreien Sie den Kondensator in regelmäßigen Abständen von Staub und Verunreinigungen.

8.2 Kühlschrank benutzen

Der Kühlschrank ermöglicht die Konservierung von frischen Nahrungsmitteln. Außerdem können Sie im Gefrierfach tiefgekühlte Lebensmittel konservieren.



VORSICHT! Gesundheitsgefahr!

- Frieren Sie Produkte, die gerade auftauen oder aufgetaut wurden, keinesfalls wieder ein, sondern brauchen Sie diese baldmöglichst auf.
- Achten Sie darauf, dass sich nur Gegenstände bzw. Waren im Kühlschrank befinden, die auf die gewählte Temperatur gekühlt werden dürfen.



ACHTUNG!

Achten Sie darauf, dass Sie Getränke oder Speisen in Glasbehältern nicht zu stark abkühlen.

Beim Gefrieren dehnen sich Getränke oder flüssige Speisen aus. Dadurch können die Glasbehälter zerstört werden.

- Schalten Sie den Kühlschrank ein, indem Sie den Temperaturregler (Abb. **1** 9, Seite 3) aus der Position „0“ drehen.
- ✓ Nach dem Einschalten benötigt der Kühlschrank etwa 180 s, bis der Kompressor anläuft.

Temperatur einstellen

Sie können die Temperatur stufenlos über den Temperaturregler (Abb. **1** 9, Seite 3) einstellen. Der integrierte Thermostat reguliert die Temperatur folgendermaßen:

- 1 = geringste Kühlleistung
- 6 = höchste Kühlleistung

Im Allgemeinen ist eine mittlere Einstellung am besten geeignet.



HINWEIS

Die Kühlleistung kann beeinflusst werden von

- der Umgebungstemperatur
- der Menge der zu konservierenden Lebensmittel
- der Häufigkeit der Türöffnungen

Lebensmittel konservieren

Sie können im Kühlfach Lebensmittel konservieren. Die Konservierungszeit der Lebensmittel ist normalerweise auf der Packung angegeben.



ACHTUNG!

Konservieren Sie keine **warmen** Lebensmittel im Kühlfach.
Stellen Sie keine Glasbehälter mit Flüssigkeiten in das Gefrierfach.

- ▶ Beachten Sie Temperatur- und Haltbarkeitsangaben auf den Verpackungen Ihrer Lebensmittel.
- ▶ Beachten Sie folgende Hinweise beim Konservieren:
 - Frieren Sie Produkte, die gerade auftauen oder aufgetaut wurden, keinesfalls wieder ein, sondern brauchen Sie diese baldmöglichst auf.
 - Konservieren Sie Lebensmittel, die leicht Gerüche und Geschmäcke aufnehmen, sowie Flüssigkeiten und Produkte mit hohem Alkoholgehalt in dichten Behältern.
 - Wickeln Sie die Lebensmittel in Aluminium- bzw. Polyäthylenfolien und schließen Sie sie in entsprechende Behälter mit Deckel. Dadurch werden die Aromen, die Substanz und die Frische besser konserviert.

8.3 Innenraum aufteilen

Sie können den Innenraum des Kühlschranks variabel aufteilen, indem Sie die Ablagen und das Türfach entsprechend Ihren Bedürfnissen anordnen.

Ablagen einteilen (Abb. 24, Seite 8)

- ▶ Heben Sie die Ablage hinten an, und ziehen Sie sie nach vorne, bis der vordere Teil aus den Führungen gleitet.
- ▶ Heben Sie die Ablage an, und ziehen Sie sie leicht geneigt vollständig heraus.
- ▶ Wählen Sie die gewünschte Position, und führen Sie die Ablage ein, indem Sie den Vorgang in umgekehrter Reihenfolge ausführen.

Türablagen einteilen (Abb. 25, Seite 9)

- ▶ Schieben Sie die Türablage in die gewünschte Position.

8.4 Feuchtigkeit regulieren

Sie können die Feuchtigkeit für das Obst- und Gemüsefach regulieren. Hierzu können Sie die Belüftungsschlitze in der Ablage über dem Obst- und Gemüsefach öffnen oder schließen (Abb. **26**, Seite 9):

- Öffnen Sie die Belüftungsschlitze (**1**), um den Feuchtigkeitsgehalt zu verringern.
- Schließen Sie die Belüftungsschlitze (**1**), um den Feuchtigkeitsgehalt zu erhöhen.

8.5 Innenbeleuchtung wechseln

Wenn die Innenbeleuchtung im Kühlschrank defekt ist, können Sie die Lampe (LED-Birne, E14, 12/24 V, 1,2 W) auswechseln.

Gehen Sie hierzu wie folgt vor (Abb. **27**, Seite 10):

- Unterbrechen Sie die Spannungsversorgung.
- Nehmen Sie die Lampenabdeckung ab.
- Drehen Sie die Lampe aus der Fassung.
- Drehen Sie die neue Lampe in die Fassung.
- Bringen Sie die Lampenabdeckung wieder an.
- Schließen Sie den Kühlschrank elektrisch wieder an.

8.6 Kühlschrank abtauen



HINWEIS

Bei sehr hoher Umgebungstemperatur kann es vorkommen, dass der Kühlschrank ununterbrochen arbeitet, was zu einer übermäßigen Reifbildung an der Rückwand des Kühlfachs führt. Stellen Sie in diesem Fall den Temperaturregler (Abb. **1** 9, Seite 3) auf eine niedrigere Stufe („1“ oder „2“).

Luftfeuchtigkeit kann sich am Verdampfer oder im Innenraum des Kühlschranks als Reif niederschlagen, der die Kühlleistung verringert. Das Abtauen des Kühlfachs erfolgt automatisch während der Pause des Kompressors.

Eine leichte Reifschicht oder Wassertropfen können sich im Inneren des Kühlschranks absetzen, wenn er längere Zeit gekühlt hat. Dies ist normal, weil die Feuchtigkeit in der Luft zu Wassertropfen kondensiert, wenn die Temperatur im Kühlschrank abkühlt. Der Kühlschrank ist **nicht** defekt.

Das Tauwasser läuft durch eine Rinne in einen speziellen Behälter an der Rückseite des Geräts über dem Kompressor, wo es verdampft.

► Wischen Sie das Kühlschrankinnere bei Bedarf mit einem trockenen Tuch aus.

Wenn die Reifschicht im Gefrierfach dicker als 3 mm ist, sollten Sie das Gefrierfach abtauen.

Gefrierfach abtauen



ACHTUNG!

Verwenden Sie nie harte oder spitze Werkzeuge zum Entfernen von Eisschichten oder zum Lösen festgefrorener Gegenstände. Dies kann den Kühlschrank beschädigen.

Gehen Sie wie folgt vor, um das Gefrierfach zu abtauen:

- Nehmen Sie das Kühlgut heraus.
- Lagern Sie es in einem anderen Kühlgerät, damit es kalt bleibt.
- Unterbrechen Sie die Spannungsversorgung.
- Lassen Sie das Eis auftauen.
- Wenn das Eis komplett geschmolzen ist, reinigen Sie den Kühlschrank (siehe Kapitel „Reinigung und Pflege“ auf Seite 48).
- Schließen Sie den Kühlschrank elektrisch wieder an.
- Betreiben Sie den Kühlschrank ca. drei Stunden mit der Stufe „5“.
- Legen Sie das Kühlgut in den Kühlschrank.
- Stellen Sie den Temperaturregler auf die gewünschte Stufe.

8.7 Kühlschrank ausschalten und stilllegen

Wenn Sie den Kühlschrank für längere Zeit stilllegen wollen, gehen Sie wie folgt vor:

- Schalten Sie den Kühlschrank aus, indem Sie den Temperaturregler (Abb. **1** 9, Seite 3) in die Position „0“ drehen.
- Klemmen Sie die Anschlusskabel von der Batterie ab oder ziehen Sie den Stecker der Gleichstromleitung aus dem Gleichrichter.
- Reinigen Sie den Kühlschrank (siehe Kapitel „Reinigung und Pflege“ auf Seite 48).
- Lassen Sie die Tür leicht geöffnet.
So verhindern Sie, dass sich Gerüche bilden.

9 Reinigung und Pflege



WARNUNG!

Trennen Sie vor jeder Reinigung und Pflege den Kühlschrank vom Netz.



ACHTUNG!

- Verwenden Sie zur Reinigung keine scharfen Reinigungsmittel oder harten Gegenstände, da diese den Kühlschrank beschädigen können.
- Verwenden Sie nie harte oder spitze Werkzeuge zum Entfernen von Eisschichten oder zum Lösen festgefrorener Gegenstände.
- Verwenden Sie keine mechanischen oder andere Hilfsmittel, um den Abtauvorgang zu beschleunigen.

- Reinigen Sie den Kühlschrank regelmäßig und sobald er verschmutzt ist mit einem feuchten Tuch.
- Achten Sie darauf, dass kein Wasser in die Dichtungen tropft. Dies kann die Elektronik beschädigen.
- Wischen Sie den Kühlschrank nach dem Reinigen mit einem Tuch trocken.
- Prüfen Sie den Tauwasserabfluss regelmäßig.

Reinigen Sie den Tauwasserabfluss, falls nötig. Wenn er verstopft ist, sammelt sich das Tauwasser auf dem Boden des Kühlschranks.

Der Tauwasserabfluss befindet sich im hinteren Teil des Kühlschranks über dem Obst- und Gemüsefach. Verwenden Sie zur Reinigung des Tauwasserabflusses (Abb. 28 1, Seite 10) das Reinigungswerkzeug (Abb. 28 2, Seite 10), das sich in der Ablauföffnung befindet.

- Reinigen Sie die Türdichtungen regelmäßig.
- Reinigen Sie das Gitter des Kondensators und den Kompressor auf der Geräte-rückseite mit einer Bürste.

10 Gewährleistung

Es gilt die gesetzliche Gewährleistungsfrist. Sollte das Produkt defekt sein, wenden Sie sich bitte an die Niederlassung des Herstellers in Ihrem Land (Adressen siehe Rückseite der Anleitung) oder an Ihren Fachhändler.

Zur Reparatur- bzw. Gewährleistungsbearbeitung müssen Sie folgende Unterlagen mitschicken:

- eine Kopie der Rechnung mit Kaufdatum,
- einen Reklamationsgrund oder eine Fehlerbeschreibung.

11 Entsorgung



WARNUNG! Kinderfalle!

Vor der Entsorgung Ihres alten Kühlschranks:

- Bauen Sie die Schublade aus.
- Belassen Sie die Ablagen im Kühlschrank, damit Kinder nicht hineinsteigen können.



ACHTUNG!

Bei dem Gerät kommt ein Isolationsgas zur Anwendung (siehe Typenschild). Erkundigen Sie sich bei der zuständigen kommunalen Verwaltungsbehörde oder Ihrem örtlichen Entsorgungsunternehmen über die korrekte Entsorgung und stellen Sie sicher, dass das Gerät und sämtliche Stoffe einer fachgerechten Entsorgung zugeführt werden.

- Geben Sie das Verpackungsmaterial möglichst in den entsprechenden Recycling-Müll.



Wenn Sie das Produkt endgültig außer Betrieb nehmen, informieren Sie sich bitte beim nächsten Recyclingcenter oder bei Ihrem Fachhändler über die zutreffenden Entsorgungsvorschriften.

12 Störungen beseitigen

Kompressor läuft nicht

Störung	Mögliche Ursache	Lösung
$U_{KL} = 0\text{ V}$	Unterbrechung in der Anschlussleitung Batterie – Elektronik	Verbindung herstellen
	Hauptschalter defekt (falls vorhanden)	Hauptschalter wechseln
	Zusätzliche Leitungsabsicherung durchgebrannt (falls vorhanden)	Leitungsabsicherung wechseln
$U_{KL} \leq U_{EIN}$	Batteriespannung zu niedrig	Batterie laden
Startversuch mit $U_{KL} \leq U_{AUS}$	Lose Kabelverbindung Schlechter Kontakt (Korrosion)	Verbindung herstellen
	Batteriekapazität zu gering	Batterie wechseln
	Kabelquerschnitt zu gering	Kabel wechseln (siehe Tabelle auf Seite 41)
Startversuch mit $U_{KL} \geq U_{EIN}$	Umgebungstemperatur zu hoch	–
	Be- und Entlüftung nicht ausreichend	Kühlschrank umstellen
	Kondensator verschmutzt	Kondensator reinigen
	Lüfter defekt (falls vorhanden)	Lüfter wechseln
Elektrische Unterbrechung im Kompressor zwischen den Stiften	Kompressor defekt	Kompressor wechseln

U_{KL} Spannung zwischen Plus- und Minusklemme der Elektronik

U_{EIN} Einschaltspannung Elektronik

U_{AUS} Ausschaltspannung Elektronik

Innentemperatur zu kalt in Regler-Stufe „1“

Störung	Mögliche Ursache	Lösung
Kompressor läuft dauernd	Thermostat-Fühler hat keinen Kontakt am Verdampfer	Fühler befestigen
	Kurzschluss in Thermostatleitung Thermostat defekt	Thermostat wechseln
Kompressor läuft lange	Im Gefrierfach wurde eine größere Menge eingefroren	–

Kühlleistung lässt nach, Innentemperatur steigt

Störung	Mögliche Ursache	Lösung
Kompressor läuft lange/dauernd	Verdampfer vereist	Verdampfer abtauen
	Umgebungstemperatur zu hoch	–
	Be- und Entlüftung nicht ausreichend	Kühlschrank umstellen
	Kondensator verschmutzt	Kondensator reinigen
	Lüfter defekt (falls vorhanden)	Lüfter wechseln
Kompressor läuft selten	Batteriekapazität erschöpft	Batterie laden


Wasser im oder unter dem Kühlschrank

Störung	Mögliche Ursache	Lösung
Wasser fließt in den Innenraum des Kühlschranks	Der Wasserabflusskanal ist verstopft.	Reinigen Sie den Ablauf.
	Die eingelagerten Lebensmittel verhindern, dass das Wasser zum Wasserabfluss fließt.	Stellen Sie sicher, dass die Lebensmittel nicht die Rückwand berühren.
Wasser fließt auf den Boden	Es befindet sich zu viel Wasser im Luftabweiser.	Reinigen Sie den Luftabweiser.

Ungewöhnliche Geräusche

Störung	Mögliche Ursache	Lösung
Lautes Brummen	Bauteil des Kältekreislaufes kann nicht frei schwingen (liegt an Wandung an)	Bauteil vorsichtig abbiegen
	Fremdkörper zwischen Kühlmaschine und Wand eingeklemmt	Fremdkörper entfernen
	Lüftergeräusch (falls vorhanden)	–

13 Technische Daten

	HDC275
Artikel-Nr.:	9105204439
Inhalt Kühlfach:	202 l
Inhalt Gefrierfach:	75 l
Anschlussspannung:	12 V $\overline{=}$ oder 24 V $\overline{=}$
Mittlere Leistungsaufnahme:	61 W
Stromverbrauch bei 25 °C/32 °C:	3,3 Ah/h / 5,1 Ah/h
Kühltemperaturbereich	
Kühlfach:	0 °C bis +10 °C
Gefrierfach:	-18 °C bis 0 °C
Nutzhalt:	277 l
Klimaklasse:	ST (+16 °C bis +38 °C)
Luftfeuchtigkeit:	maximal 90 %
Dauer-Krängung:	maximal 30°
Kühlmittelmenge:	180 g
CO ₂ -Äquivalent:	0,257 t
Treibhauspotential (GWP):	1430
Abmessungen:	siehe Abb. 29 , Seite 10
Gewicht:	ca. 52 kg
Prüfung/Zertifikat:	

Der Kühlkreis enthält R134a.

Enthält fluoridierte Treibhausgase

Hermetisch geschlossene Einrichtung

Veillez lire attentivement cette notice avant le montage et la mise en service. Veillez ensuite la conserver. En cas de passer le produit, veuillez le transmettre au nouvel acquéreur.

Sommaire

1	Explication des symboles	55
2	Consignes de sécurité	55
3	Contenu de la livraison	58
4	Accessoires	58
5	Usage conforme	59
6	Description technique	59
7	Installation et raccordement du réfrigérateur	60
8	Utilisation du réfrigérateur	64
9	Entretien et nettoyage	70
10	Garantie	71
11	Retraitement	71
12	Guide de dépannage	72
13	Caractéristiques techniques	75

1 Explication des symboles

**DANGER !**

Consigne de sécurité : le non-respect de ces consignes entraîne la mort ou de graves blessures.

**AVERTISSEMENT !**

Consigne de sécurité : le non-respect de ces consignes peut entraîner la mort ou de graves blessures.

**ATTENTION !**

Consigne de sécurité : le non-respect de ces consignes peut entraîner des blessures.

**AVIS !**

Le non-respect de ces consignes peut entraîner des dommages matériels et des dysfonctionnements du produit.

**REMARQUE**

Informations complémentaires sur l'utilisation du produit.

2 Consignes de sécurité

Le fabricant décline toute responsabilité pour des dommages dans les cas suivants :

- des défauts de montage ou de raccordement
- des influences mécaniques et des surtensions ayant endommagé le matériel
- des modifications apportées au produit sans autorisation explicite de la part du fabricant
- une utilisation différente de celle décrite dans la notice

2.1 Sécurité générale



AVERTISSEMENT !

- Seul un spécialiste doit procéder à l'installation dans des endroits humides.
- Si l'appareil présente des dégâts visibles, vous ne devez pas le mettre en service.
- Si le câble de raccordement de l'appareil est endommagé, il doit être remplacé par le fabricant, son service après-vente ou une personne de qualification similaire, afin d'éviter tout danger.
- Seul un personnel qualifié est habilité à effectuer des réparations sur l'appareil. Toute réparation mal effectuée risquerait d'entraîner de graves dangers.
- Les enfants âgés de 8 ans et plus ainsi que les personnes ayant des déficiences physiques, sensorielles ou mentales ou un manque d'expérience ou de connaissances peuvent utiliser ce produit à condition d'être sous surveillance ou d'avoir reçu des instructions concernant l'utilisation de l'appareil en toute sécurité et de comprendre les dangers qui en résultent.
- Le nettoyage et la maintenance ne doivent pas être effectués par des enfants sans surveillance.
- Les enfants doivent être surveillés pour s'assurer qu'ils ne jouent pas avec l'appareil.
- Placez et utilisez l'appareil hors de portée des enfants de moins de 8 ans.
- Ne stockez aucune substance explosive comme p. ex. des aérosols contenant des agents propulseurs dans l'appareil.



ATTENTION !

- Risque d'écrasement! Ne touchez pas la charnière.
- Les produits alimentaires doivent être conservés dans leurs emballages originaux ou dans des récipients appropriés.



AVIS !

- Vérifiez que la tension indiquée sur la plaque signalétique correspond à l'alimentation électrique dont vous disposez.
- Ne tirez jamais sur le câble de raccordement pour sortir la fiche de la prise.
- Débranchez de la batterie la glacière et les autres consommateurs d'énergie avant de raccorder un chargeur rapide.

- Débranchez ou éteignez le réfrigérateur lorsque vous éteignez le moteur. Dans le cas contraire, il se pourrait que la batterie se décharge.
- N'utilisez pas le réfrigérateur pour le stockage de produits corrosifs ou de solvants !
- Veillez à ce que l'ouverture d'évacuation soit toujours propre.
- N'ouvrez jamais le circuit frigorifique.
- Ne transportez jamais l'appareil en position horizontale afin que l'huile ne puisse pas s'écouler du compresseur.
- Lors du transport, veillez à ne pas endommager le circuit frigorifique. Le réfrigérant du circuit frigorifique s'enflamme facilement. En cas d'endommagement du circuit frigorifique :
 - évitez tout feu ouvert et toute étincelle.
 - Aérez bien la pièce.
- Installez l'appareil dans un endroit sec et à l'abri des éclaboussures d'eau.

2.2 Consignes de sécurité concernant le fonctionnement de l'appareil



DANGER !

- Ne touchez jamais les lignes électriques dénudées avec les mains nues.



ATTENTION !

- Avant de mettre l'appareil en service, assurez-vous que la ligne d'alimentation électrique et le connecteur sont secs.
- Lorsque vous raccordez l'appareil à une batterie, assurez-vous que les aliments ne sont pas en contact avec les acides de la batterie.



AVIS !

- N'exploitez aucun appareil électrique dans le réfrigérateur, sauf s'ils sont recommandés par le fabricant pour cet usage.
- Ne placez pas l'appareil près de flammes ou d'autres sources de chaleur (chauffage, rayons solaires, fours à gaz etc.).

- **Risque de surchauffe**

Veillez toujours à ce que la chaleur produite lors du fonctionnement puisse se dissiper suffisamment. Veillez à ce que l'appareil se trouve à distance suffisante des murs ou des objets, de sorte que l'air puisse circuler.

- Assurez-vous que les ouvertures d'aération ne sont pas recouvertes.
- Ne remplissez pas le bac intérieur de substances liquides ou de glace.
- Ne plongez jamais l'appareil dans l'eau.
- Tenez l'appareil et les câbles à l'abri de la chaleur et de l'humidité.
- Veillez à ce que la nourriture ne touche pas les parois du compartiment de réfrigération.

3 Contenu de la livraison

Quantité	Désignation
1	Réfrigérateur
1	Set de montage pour modifier le côté d'ouverture de la porte
1	Manuel d'utilisation

4 Accessoires

Disponibles en accessoires (non compris dans la livraison) :

Désignation	N° de produit
Adaptateur secteur MPS80	9600000442

5 Usage conforme

Le réfrigérateur HDC 275 (n° d'art. 9105204439) est conçu pour la réfrigération d'aliments et le stockage d'aliments surgelés.

L'appareil peut également être utilisé sur des bateaux.



ATTENTION ! Risques pour la santé

Veuillez vérifier si la puissance frigorifique de l'appareil correspond à la température de conservation recommandée pour les aliments ou les médicaments que vous souhaitez conserver au frais.

6 Description technique

6.1 Description du fonctionnement

Le réfrigérateur permet une exploitation sous tension continue de 12 V ou 24 V et convient au camping comme à la navigation de plaisance.

En cas d'utilisation sur les bateaux, le réfrigérateur peut supporter un angle de gîte permanent de 30°.

Le réfrigérateur permet de réfrigérer et tenir au frais des denrées alimentaires à +0 °C à +10 °C. Il est possible de stocker des produits congelés à des températures de -18 °C à 0 °C dans le compartiment congélateur. Un régulateur de température permet de sélectionner la température désirée.

Les matériaux utilisés lors de la construction du réfrigérateur n'altèrent pas la qualité des aliments. Le circuit frigorifique est sans entretien.

6.2 Éléments de commande

N° dans fig. 1, page 3	Description
1	Clayette
2	Plaque signalétique (intérieur)
3	Bac à légumes
4	Compartiment congélateur
5	Condenseur et compresseur (arrière)
6	Range-bouteilles
7	Compartiment de la porte
8	Lumière intérieure
9	Régulateur de température

7 Installation et raccordement du réfrigérateur

Concernant l'installation sur bateaux, veuillez observer les consignes spéciales suivantes:



DANGER !

Veillez à ce que votre alimentation électrique soit sécurisée par un disjoncteur différentiel si l'appareil est branché sur le secteur !



AVIS !

La conception de l'appareil correspond à un angle de gîte maximal de 30°. Veuillez lors de l'installation du réfrigérateur à ce que sa fixation soit adaptée à ces conditions. Consultez un professionnel en cas de questions relatives à l'installation.

7.1 Modification du côté d'ouverture de la porte

Vous pouvez modifier le côté d'ouverture des portes de sorte que les portes s'ouvrent vers la gauche plutôt que vers la droite.

- Détachez et retirez le boulon supérieur (fig. **2** 1, page 3).
- Retirez la porte supérieure (fig. **2** 2, page 3).
- Retirez la pièce d'écartement (fig. **2** 3, page 3).
- Détachez la charnière du milieu (fig. **3** 1, page 3).
- Retirez la porte inférieure (fig. **3** 2, page 3).
- Détachez et retirez le boulon inférieur (fig. **4** 1, page 4).

Du côté opposé :

- Fixez le boulon inférieur.
- Mettez la porte inférieure en place.
- Fixez la charnière du milieu.
- Insérez la pièce d'écartement.
- Mettez la porte supérieure en place.
- Fixez le boulon supérieur.

7.2 Encastrement du réfrigérateur

Veillez respecter les indications suivantes lors du montage :

- Installez le réfrigérateur de manière à ce que l'air chaud puisse bien s'échapper (soit par le haut, soit par les côtés, fig. **5**, page 4).

Légende de fig. **5**, page 4

N°	Explication
1	air entrant froid
2	air évacué chaud
3	espace supérieur si la circulation d'air évacué en haut ou sur le côté est insuffisante

- Laissez l'appareil au moins quatre heures à la verticale avant de le raccorder électriquement afin que l'huile du compresseur puisse s'écouler dans l'autre sens.

Procédez de la manière suivante pour encastrer le réfrigérateur :

- si besoin, découpez la bande du joint sur mesure et posez-la sur le réfrigérateur (fig. **6**, page 5).
- Encastrez le réfrigérateur comme indiqué aux figures (fig. **7**, page 5, à fig. **16**, page 6).

Veillez respecter les remarques suivantes :

- fig. **8**, page 5 : À l'aide du cache inférieur de la charnière, vous pouvez vous assurer que l'espace entre le réfrigérateur et l'ouverture d'encastrement est le bon.
- fig. **11**, page 6 : pour les charnières de droite, retirez la pièce DX, pour les charnières de gauche la pièce SX.
- Fixez le panneau décoratif sur la porte du réfrigérateur comme indiqué aux figures (fig. **17**, page 7, à fig. **22**, page 7).

7.3 Raccordement électrique du réfrigérateur



AVIS !

- Pour éviter des pertes de tension et de puissance frigorifique, le câble de raccordement doit être le plus court possible et ne doit pas être interrompu.
Évitez donc de placer des interrupteurs, des connecteurs ou des répartiteurs supplémentaires.
- Débranchez l'appareil et les autres consommateurs d'énergie de la batterie avant de recharger la batterie avec un chargeur rapide.
Les surtensions peuvent endommager l'électronique des appareils.

Le réfrigérateur peut être branché sur une tension continue de 12 V ou 24 V.

Pour des raisons de sécurité, le réfrigérateur est équipé d'une protection électronique contre les inversions de polarité en cas de raccordement à une batterie et contre les court-circuits.

Pour protéger la batterie, le réfrigérateur s'éteint automatiquement lorsque la tension n'est plus suffisante (voir tableau suivant).

	12 V	24 V
Tension d'arrêt	10,4 V	22,8 V
Tension de remise en marche	11,7 V	24,2 V

- Déterminez la section nécessaire du câble en fonction de sa longueur, selon la fig. 23, page 8.

Légende de fig. 23, page 8

Axe des coordonnées	Signification	Unité
l	Longueur du câble	m
∅	Section du câble	mm ²



AVIS !

Respectez la polarité.

- Avant de mettre l'appareil en service, vérifiez que la tension de service et celle de la batterie sont identiques (voir la plaque signalétique).

- Raccordez votre réfrigérateur
 - aussi directement que possible aux pôles de la batterie ou
 - à une prise femelle protégée par un fusible d'au moins 15 A (pour une tension de 12 V) ou 7,5 A (pour une tension de 24 V).

8 Utilisation du réfrigérateur



REMARQUE

Avant de mettre en service votre nouveau réfrigérateur, vous devez, pour des raisons d'hygiène, le nettoyer à l'intérieur et à l'extérieur à l'aide d'un tissu humide (voir aussi chapitre « Entretien et nettoyage », page 70).

8.1 Comment économiser de l'énergie ?

- Choisissez un emplacement bien aéré et à l'abri du soleil.
- Laissez refroidir les aliments chauds avant de les déposer dans l'appareil.
- N'ouvrez pas le réfrigérateur plus souvent que nécessaire.
- Ne laissez pas les portes ouvertes plus longtemps que nécessaire.
- Dégivrez le réfrigérateur dès qu'une couche de glace s'est formée.
- Évitez une température intérieure inutilement basse.
- Nettoyez régulièrement le condenseur pour enlever la poussière et les salissures.

8.2 Utilisation du réfrigérateur

Le réfrigérateur permet la conservation des aliments frais. De plus, vous pouvez conserver des aliments congelés dans le compartiment congélateur.



ATTENTION ! Risques pour la santé

- Ne remplacez jamais des produits en cours de décongélation ou décongelés dans le compartiment congélateur, consommez-les au plus vite.
- Veillez à ne déposer dans le réfrigérateur que des objets ou des aliments qui peuvent être réfrigérés à la température sélectionnée.



AVIS !

Veillez à ce que les boissons ou aliments placés dans des récipients en verre ne soient pas soumis à des températures trop basses. En gelant, le volume des boissons et aliments liquides augmente. Les récipients en verre risquent alors de se casser.

- Allumez le réfrigérateur en tournant le régulateur de température (fig. **1** 9, page 3) pour l'éloigner de la position « 0 ».
- ✓ Après la mise en marche, le réfrigérateur a besoin d'environ 180 s avant que le compresseur ne se mette en marche.

Réglage de la température

Vous pouvez régler la température progressivement à l'aide du régulateur (fig. **1** 9, page 3). Le thermostat intégré régule la température comme suit :

- 1 = puissance frigorifique minimale
- 6 = puissance frigorifique maximale

En général, une position intermédiaire est la plus adaptée.



REMARQUE

La puissance frigorifique peut être influencée par

- la température ambiante
- la quantité des aliments à conserver,
- la fréquence de l'ouverture de la porte.

Conservation des aliments

Vous pouvez conserver des aliments dans le réfrigérateur. Normalement, la durée de conservation des aliments est indiquée sur l'emballage.



AVIS !

Ne conservez pas d'aliments **chauds** dans le réfrigérateur.
Ne placez pas de récipients en verre remplis de liquides dans le compartiment congélateur.

- Veuillez respecter les indications relatives à la température et à la péremption figurant sur les emballages des aliments.
- Observez les consignes suivantes en ce qui concerne la conservation :
 - Ne recongelez jamais un produit décongelé, consommez-le au plus vite.
 - Conservez les aliments qui ont tendance à absorber les odeurs et les arômes, ainsi que les liquides et les produits à forte teneur en alcool dans des contenants hermétiques.
 - Enveloppez les aliments dans une feuille d'aluminium ou un film plastique et placez-les dans un récipient à couvercle. De cette façon, les arômes, la substance et la fraîcheur se conservent mieux.

8.3 Organisation de l'espace intérieur

Vous pouvez faire varier l'organisation de l'espace intérieur du réfrigérateur en plaçant les clayettes et les compartiments de la porte selon vos besoins.

Répartition des clayettes (fig. 24, page 8)

- Soulevez la clayette à l'arrière et tirez-la vers l'avant jusqu'à ce que la partie avant sorte des glissières.
- Soulevez la clayette et tirez-la en l'inclinant légèrement pour la sortir complètement.
- Choisissez la position souhaitée et introduisez la clayette en procédant dans l'ordre inverse.

Répartition des compartiments de porte (fig. 25, page 9)

- Faites glisser le compartiment de la porte dans la position souhaitée.

8.4 Régulation de l'humidité

Vous pouvez réguler l'humidité pour le bac à légumes. Pour ce faire, vous pouvez ouvrir ou fermer les fentes de ventilation au-dessus du bac à légumes (fig. **26**, page 9) :

- Ouvrez les fentes de ventilation (**1**) pour diminuer la teneur en humidité.
- Fermez les fentes de ventilation (**1**) pour augmenter la teneur en humidité.

8.5 Remplacement de l'éclairage intérieur

Si l'éclairage intérieur du réfrigérateur est défectueux, vous pouvez changer l'ampoule (ampoule LED, E14, 12/24 V, 1,2 W).

Procédez comme suit (fig. **27**, page 10) :

- Coupez l'alimentation en tension.
- Retirez le cache de la lampe.
- Retirez l'ampoule de la douille.
- Vissez une nouvelle ampoule dans la douille.
- Remettez le cache de la lampe en place.
- Raccordez de nouveau le réfrigérateur au courant.

8.6 Dégivrage du réfrigérateur



REMARQUE

Lorsque la température ambiante est très élevée, il peut arriver que le réfrigérateur fonctionne sans interruption, ce qui entraîne une formation excessive de givre sur la paroi arrière du compartiment congélation. Mettez dans ce cas le régulateur (fig. **1** 9, page 3) sur un niveau moins élevé (« 1 » ou « 2 »).

L'humidité de l'air peut se condenser sous forme de givre au niveau de l'évaporateur ou à l'intérieur du réfrigérateur et diminuer ainsi sa puissance frigorifique. Le dégivrage du compartiment congélateur a lieu automatiquement durant la pause du compresseur.

Une légère couche de givre ou quelques gouttes d'eau peuvent se déposer à l'intérieur du réfrigérateur s'il a été utilisé pendant un temps assez long. Ceci est normal, car l'humidité de l'air se condense en gouttes d'eau lorsque la température refroidit dans le réfrigérateur. Le réfrigérateur n'est **pas** défectueux.

L'eau de dégivrage s'écoule par une gouttière dans un conteneur spécial situé à l'arrière de l'appareil, au-dessus du compresseur, où elle se transforme en vapeur.

► Si nécessaire, essuyez l'intérieur du réfrigérateur avec un chiffon sec.

Si l'épaisseur de la couche de givre est supérieure à 3 mm dans le compartiment congélateur, vous devez dégivrer le compartiment congélateur.

Dégivrage du compartiment congélateur



AVIS !

N'utilisez jamais d'outils durs ou pointus pour enlever les couches de glace ou pour détacher des objets pris dans le givre. Ceci peut endommager le réfrigérateur.

Procédez de la manière suivante pour dégivrer le compartiment congélateur :

- Retirez les aliments.
- Placez-les dans un autre réfrigérateur pour qu'ils restent froids.
- Coupez l'alimentation en tension.
- Laissez la glace dégivrer.
- Lorsque la glace est complètement fondue, nettoyez le réfrigérateur (voir le chapitre « Entretien et nettoyage », page 70).
- Raccordez de nouveau le réfrigérateur au courant.
- Faites fonctionner le réfrigérateur pendant trois heures environ sur le niveau « 5 ».
- Mettez les aliments dans le réfrigérateur.
- Placez le régulateur de température sur le niveau souhaité.

8.7 Arrêt et mise hors service du réfrigérateur

Lorsque vous voulez mettre le réfrigérateur hors service pendant une période prolongée, procédez de la façon suivante :

- Éteignez le réfrigérateur en tournant le régulateur de température (fig. **1** 9, page 3) pour le mettre sur la position « 0 ».
- Débranchez le câble de raccordement de la batterie ou débranchez la prise de la ligne de courant continu en la retirant du redresseur.
- Nettoyez le réfrigérateur (voir le chapitre « Entretien et nettoyage », page 70).
- Laissez la porte légèrement ouverte.
Vous évitez ainsi la formation d'odeurs.

9 Entretien et nettoyage



AVERTISSEMENT !

Avant toute opération de nettoyage ou d'entretien du réfrigérateur, veillez à débrancher celui-ci du secteur.



AVIS !

- N'utilisez ni détergents abrasifs, ni objets durs pour le nettoyage, ceux-ci pouvant endommager le réfrigérateur.
- N'utilisez jamais d'outils durs ou pointus pour enlever les couches de glace ou pour détacher des objets pris dans le givre.
- N'utilisez aucun moyen mécanique ou autre pour accélérer la procédure de dégivrage.

- Nettoyez le réfrigérateur régulièrement et dès qu'il est sale, avec un chiffon humide.
- Veillez à ce que de l'eau ne goutte pas sur les joints. Cela risque d'endommager les composants électroniques.
- Essuyez le réfrigérateur avec un chiffon après l'avoir nettoyé.
- Vérifiez régulièrement l'écoulement de l'eau de dégivrage.
Nettoyez l'écoulement de l'eau de dégivrage si nécessaire. S'il est bouché, l'eau de dégivrage s'accumule en bas du réfrigérateur.
L'écoulement de l'eau de dégivrage se trouve à l'arrière du réfrigérateur, au-dessus du bac à légumes. Pour nettoyer l'écoulement de l'eau de dégivrage (fig. 28 1, page 10), utilisez l'outil de nettoyage (fig. 28 2, page 10) qui se trouve dans l'orifice de l'écoulement.
- Nettoyez régulièrement les joints des portes.
- Nettoyez la grille du condenseur et le compresseur au dos de l'appareil avec une brosse.

10 Garantie

Le délai légal de garantie s'applique. Si le produit s'avérait défectueux, veuillez vous adresser à la filiale du fabricant située dans votre pays (voir adresses au verso du présent manuel) ou à votre revendeur spécialisé.

Veuillez y joindre les documents suivants pour la gestion des réparations et de la garantie :

- une copie de la facture avec la date d'achat,
- le motif de la réclamation ou une description du dysfonctionnement.

11 Retraitement



AVERTISSEMENT ! Risque d'enfermement pour les enfants !

Avant de mettre au rebut votre ancien réfrigérateur :

- démontez le tiroir.
- Laissez les clayettes dans le réfrigérateur, afin que les enfants ne puissent pas entrer dedans.



AVIS !

Un gaz isolant est utilisé sur l'appareil (voir la plaque signalétique). Renseignez-vous auprès des autorités communales responsables ou auprès de votre entreprise locale de retraitement pour connaître le retraitement correct et assurez-vous que l'appareil et toutes les substances sont retraitées de manière conforme.

- Jetez les emballages dans les conteneurs de déchets recyclables prévus à cet effet.



Lorsque vous mettez votre produit définitivement hors service, informez-vous auprès du centre de recyclage le plus proche ou auprès de votre revendeur spécialisé sur les prescriptions relatives au retraitement des déchets.

12 Guide de dépannage

Le compresseur ne fonctionne pas

Dysfonctionnement	Cause possible	Solution
$U_{\text{BORNES}} = 0 \text{ V}$	Interruption de la ligne de raccordement entre la batterie et l'électronique	Établir la connexion
	Commutateur principal défectueux (s'il fait partie des composants)	Changer l'interrupteur principal
	Le fusible supplémentaire de la ligne est grillé (s'il fait partie des composants)	Changer le fusible de la ligne
$U_{\text{BORNES}} \leq U_{\text{MARCHÉ}}$	Tension de batterie trop faible	Charger la batterie
Tentative de démarrage avec $U_{\text{BORNES}} \leq U_{\text{ARRÊT}}$	Les câbles sont débranchés	Établir la connexion
	Mauvais contact (corrosion)	
	Capacité de batterie trop faible	Changement des piles
Tentative de démarrage avec $U_{\text{BORNES}} \geq U_{\text{MARCHÉ}}$	Section du câble trop petite	Changer le câble (voir tableau à la page 63)
	Température ambiante trop élevée	–
	Ventilation par aspiration et aération insuffisante	Déplacer l'appareil
	Le condenseur est sale	Nettoyer le condenseur
Interruption électrique dans le compresseur entre les broches	Ventilateur défectueux (s'il fait partie des composants)	Changer le ventilateur
	Compresseur défectueux	Changer le compresseur

U_{BORNES} Tension entre la borne positive et la borne négative de l'électronique

$U_{\text{MARCHÉ}}$ Tension de démarrage de l'électronique

$U_{\text{ARRÊT}}$ Tension d'arrêt de l'électronique

Température intérieure trop basse sur le niveau « 1 » du régulateur

Dysfonctionnement	Cause possible	Solution
Le compresseur fonctionne en permanence	Pas de contact établi entre la sonde du thermostat et l'évaporateur	Fixer la sonde
	Court-circuit dans la ligne de thermostat Thermostat défectueux	Changer le thermostat
Longue durée de fonctionnement du compresseur	Grandes quantités de givre dans le compartiment congélateur	–

Diminution de la puissance frigorifique, augmentation de la température intérieure

Dysfonctionnement	Cause possible	Solution
Longue durée de fonctionnement / fonctionnement continu du compresseur	Givrage de l'évaporateur	Dégivrer l'évaporateur
	Température ambiante trop élevée	–
	Ventilation par aspiration et aération insuffisante	Déplacer l'appareil
	Le condenseur est sale	Nettoyer le condenseur
Le compresseur fonctionne rarement	Ventilateur défectueux (s'il fait partie des composants)	Changer le ventilateur
	Batterie à plat	Charger la batterie


Eau dans ou sous le réfrigérateur

Dysfonctionnement	Cause possible	Solution
De l'eau coule à l'intérieur du réfrigérateur	Le canal d'écoulement de l'eau est bouché.	Nettoyer l'écoulement.
	Les aliments stockés empêchent que l'eau s'écoule vers le collecteur.	S'assurer que les aliments ne touchent pas la paroi arrière.
De l'eau coule sur le sol.	Il y a trop d'eau dans le déflecteur d'air.	Nettoyer le déflecteur d'air.

Bruits inhabituels

Dysfonctionnement	Cause possible	Solution
Fort ronflement	Les mouvements d'un élément du circuit de refroidissement sont bloqués (l'élément est coincé contre la paroi)	Redresser l'élément avec précaution
	Corps étranger coincé entre l'unité de réfrigération et la paroi	Retirer le corps étranger
	Bruit du ventilateur (s'il fait partie des composants)	–

13 Caractéristiques techniques

	HDC275
N° d'article :	9105204439
Capacité du compartiment réfrigérateur :	202 l
Capacité compartiment congélateur :	75 l
Tension de raccordement :	12 V $\overline{=}$ ou 24 V $\overline{=}$
Puissance moyenne absorbée :	61 W
Consommation de courant à 25 °C/32 °C :	3,3 Ah/h / 5,1 Ah/h
Plage de température de refroidissement	
Compartiment réfrigérateur :	0 °C à +10 °C
Compartiment congélateur :	-18 °C à 0 °C
Capacité utile :	277 l
Classe climatique :	ST (+16 °C à +38 °C)
Humidité de l'air :	90 % maximum
Angle de gîte permanent :	maximal 30°
Quantité de fluide frigorigène :	180 g
Équivalent CO ₂ :	0,257 t
Potentiel d'effet de serre (GWP) :	1430
Dimensions :	voir fig. 29 , page 10
Poids :	env. 52 kg
Contrôle/certificat :	

Le circuit de refroidissement contient du R134a.

Contient des gaz à effet de serre fluorés

Équipement hermétiquement scellé

Lees deze handleiding voor de montage en de ingebruikname zorgvuldig door en bewaar hem. Geef de handleiding bij het doorgeven van het product aan de gebruiker.

Inhoudsopgave

1	Verklaring van de symbolen	77
2	Veiligheidsinstructies	77
3	Omvang van de levering	80
4	Toebehoren.	80
5	Gebruik volgens de voorschriften	80
6	Technische beschrijving	81
7	Koelkast opstellen en aansluiten	82
8	Koelkast gebruiken	85
9	Reiniging en onderhoud.	91
10	Garantie	92
11	Afvoer	92
12	Storingen verhelpen	93
13	Technische gegevens.	96

1 Verklaring van de symbolen

**GEVAAR!**

Veiligheidsaanwijzing: Het niet naleven leidt tot overlijden of ernstig letsel.

**WAARSCHUWING!**

Veiligheidsaanwijzing: Het niet naleven kan leiden tot overlijden of ernstig letsel.

**VOORZICHTIG!**

Veiligheidsaanwijzing: Het niet naleven kan leiden tot letsel.

**LET OP!**

Het niet naleven ervan kan leiden tot materiële schade en de werking van het product beperken.

**INSTRUCTIE**

Aanvullende informatie voor het bedienen van het product.

2 Veiligheidsinstructies

De fabrikant kan in de volgende gevallen niet aansprakelijk worden gesteld voor schade:

- montage- of aansluitfouten
- beschadiging van het product door mechanische invloeden en overspanningen
- veranderingen aan het product zonder uitdrukkelijke toestemming van de fabrikant
- gebruik voor andere dan de in de handleiding beschreven toepassingen

2.1 Algemene veiligheid

**WAARSCHUWING!**

- Laat installaties in vochtige ruimtes alleen door een vakmonteur aansluiten.
- Als het toestel zichtbaar beschadigd is, mag het niet in gebruik worden genomen.

- Als de aansluitkabel van dit toestel wordt beschadigd, moet deze om gevaar uit te sluiten door de fabrikant, diens klantenservice of een gelijkwaardig gekwalificeerd persoon worden vervangen.
- Reparaties aan dit toestel mogen uitsluitend door vakmonteurs worden uitgevoerd. Door ondeskundige reparaties kunnen grote gevaren ontstaan.
- Dit toestel kan door kinderen vanaf 8 jaar en ouder evenals door personen met verminderde fysieke, zintuiglijke of geestelijke vermogens of tekortschietende ervaring en kennis gebruikt worden, als ze worden begeleid of hun is uitgelegd hoe ze het toestel veilig kunnen gebruiken. Ook dienen ze inzicht te hebben in de gevaren die het gebruik van het toestel met zich meebrengt.
- Reiniging en gebruikersonderhoud mogen niet door kinderen zonder begeleiding worden uitgevoerd.
- Houd kinderen in het oog; ze mogen niet onbewaakt met het toestel spelen.
- Bewaar en gebruik het toestel buiten het bereik van kinderen onder 8 jaar.
- Bewaar geen explosiegevaarlijke stoffen, zoals spuitbussen met brandbaar drijfgas, in het toestel.

**VOORZICHTIG!**

- Beknellingsgevaar! Grijp niet in de scharnier.
- Levensmiddelen mogen alleen in de originele verpakking of in geschikte bakken worden bewaard.

**LET OP!**

- Vergelijk de spanning op het typeplaatje met de aanwezige energievoorziening.
- Trek de stekker nooit aan de aansluitkabel uit het stopcontact.
- Klem uw koeltoestel en andere verbruikers van de accu los voor u een snellader aansluit.
- Verbreek de verbinding of schakel het koeltoestel uit, als u de motor uitschakelt. Anders kan de accu worden leeg raken.
- Het koeltoestel is niet geschikt voor de opslag van bijtende of oplosmiddelhoudende stoffen.
- Houd de afvoeropening altijd schoon.
- Open in geen geval het koelcircuit.

- Transporteer het toestel nooit in horizontale stand, zodat er geen olie uit de compressor kan stromen.
- Voorkom beschadiging van het koelcircuit tijdens transport. Het koudemiddel in het koelcircuit is licht ontvlambaar.
Bij een beschadiging van het koelcircuit:
 - Vermijd open vuur en ontstekingsvonken.
 - Ventileer de ruimte goed.
- Stel het toestel op een droge en tegen spatwater beschermde plaats op.

2.2 Veiligheid bij het gebruik van het toestel



GEVAAR!

- Blanke leidingen nooit met blote handen aanraken.



VOORZICHTIG!

- Voor ingebruikneming moeten toevoerleiding en stekker droog zijn.
- Voorkom dat levensmiddelen tijdens het aansluiten op een accu in aanraking met accuzuur komen.



LET OP!

- Gebruik geen elektrische toestellen binnen het koeltoestel, behalve als deze toestellen daarvoor door de fabrikant worden aanbevolen.
- Plaats het toestel niet in de buurt van open vuur of andere warmtebronnen (verwarming, sterke zonnestraling, gasovens enz.).
- **Oververhittingsgevaar!**
Let er altijd op dat de warmte die bij het gebruik ontstaat goed afgevoerd kan worden. Zorg ervoor dat het toestel op voldoende afstand tot wanden en voorwerpen staat, zodat de lucht kan circuleren.
- Let erop dat de ventilatieopeningen niet worden afgedekt.
- Vul het binnenreservoir niet met vloeistoffen of ijs.
- Dompel het toestel nooit onder in water.
- Bescherm het toestel en de kabels tegen hitte en vocht.
- Let erop, dat de spijzen de wanden van de koelruimte niet aanraken.

3 Omvang van de levering

Aantal	Omschrijving
1	Koelkast
1	Montageset om de deuraanslag te wijzigen
1	Gebruiksaanwijzing

4 Toebehoren

Als toebehoren verkrijgbaar (niet bij de levering inbegrepen):

Omschrijving	Artikelnr.
Netadapter MPS80	9600000442

5 Gebruik volgens de voorschriften

De koelkast HDC275 (artikelnr. 9105204439) is geschikt voor het koelen van levensmiddelen en het bewaren van diepgevroren levensmiddelen. Het toestel is ook geschikt voor het gebruik op boten.



VOORZICHTIG! Gevaar voor de gezondheid!

Controleer of het koelvermogen van het toestel voldoet aan de eisen van de levensmiddelen of geneesmiddelen die u wilt koelen.

6 Technische beschrijving

6.1 Beschrijving van de functie

De koelkast is geschikt voor het gebruik met een gelijkspanning van 12 V of 24 V en kan zodoende bijv. ook bij kamperen of op boten worden gebruikt.

Bij het gebruik op boten kan de koelkast aan een permanente helling van 30° worden blootgesteld.

De koelkast kan waren tot 0 °C tot +10 °C afkoelen en koel houden. In het vriesvak kunnen diepgevroren waren bij -18 °C tot 0 °C worden bewaard. Via een temperatuurregelaar kan de gewenste temperatuur traploos worden ingesteld.

Alle in de koelkast gebruikte materialen zijn geschikt voor levensmiddelen. Het koelcircuit is onderhoudsvrij.

6.2 Bedieningselementen

Nr. in afb. 1 , pagina 3	Beschrijving
1	Aflegvak
2	Typeplaatje (binnen)
3	Groente- en fruitvak
4	Vriesvak
5	Condensator en compressor (achterzijde)
6	Flessenhouder
7	Deurvak
8	Binnenverlichting
9	Temperatuurregelaar

7 Koelkast opstellen en aansluiten

Neem bij de installatie op boten met name de volgende aanwijzingen in acht:



GEVAAR!

als uw toestel op het stroomnet is aangesloten, dient u er absoluut voor te zorgen dat de stroomtoevoer via een aardlekschakelaar beveiligd is!



LET OP!

Het toestel is ontworpen voor een helling van max. 30°. Neem bij het opstellen van de koelkast in acht dat het toestel voor deze omstandigheden moet zijn beveiligd. Neem bij vragen over de installatie contact op met een gekwalificeerde en gespecialiseerde firma.

7.1 Deuraanslag wijzigen

U kunt de aanslag van de deuren wijzigen, zodat de deuren naar links in plaats van naar rechts opengaan.

- Maak de bovenste bout (afb. **2** 1, pagina 3) los, en verwijder deze.
- Verwijder de bovenste deur (afb. **2** 2, pagina 3).
- Verwijder het afstandsstuk (afb. **2** 3, pagina 3).
- Verwijder de middenscharnier (afb. **3** 1, pagina 3).
- Verwijder de onderste deur (afb. **3** 2, pagina 3).
- Maak de onderste bout (afb. **4** 1, pagina 4) los, en verwijder deze.

Aan de tegenoverliggende zijde:

- Bevestig de onderste bout.
- Breng de onderste deur aan.
- Bevestig de middenscharnier.
- Plaats het afstandsstuk.
- Breng de bovenste deur aan.
- Bevestig de bovenste bout.

7.2 Koelkast inbouwen

Neem de volgende instructies bij inbouw in acht:

- Stel de koelkast zodanig op dat de verwarmde lucht goed kan wegtrekken (omhoog of opzij afb. **5**, pagina 4).

Legenda bij afb. **5**, pagina 4

Nr.	Verklaring
1	Koude toevoerlucht
2	Warme afvoerlucht
3	Afstand boven de koelkast, als er naar boven of naar de zijkant niet voldoende afvoerlucht kan circuleren

- Laat het toestel minstens vier uur staan alvorens het elektrisch aan te sluiten, zodat olie in de compressor kan terugstromen.

Bouw de koelkast als volgt in:

- Snij indien nodig de afdichtstrips bij, en bevestig deze op de koelkast (afb. **6**, pagina 5).
- Doe dit zoals weergegeven op de afbeeldingen (afb. **7**, pagina 5, tot afb. **16**, pagina 6).

Neem de volgende instructies in acht:

- afb. **8**, pagina 5: Met de onderste scharnierafdekking kan de afstand tussen koelkast en inbouwopening correct worden ingesteld.
- afb. **11**, pagina 6: Verwijder bij rechter scharnieren het deel DX, bij linker scharnieren het deel SX.
- Bevestig het afdekpaneel aan de koelkastdeur zoals weergegeven in de afbeeldingen (afb. **17**, pagina 7, tot afb. **22**, pagina 7).

7.3 Koelkast elektrisch aansluiten



LET OP!

- Om spannings- en vermogensverlies te vermijden, moet de aansluitkabel zo kort mogelijk zijn en mag de kabel niet onderbroken worden.
Vermijd daarom extra schakelaars, stekkers of verdeelkasten.
- Koppel het toestel en andere verbruikers van de accu los, voordat u de accu met een snellader oplaadt.
Overspanningen kunnen de elektronica van de toestellen beschadigen.

De koelkast kan met 12 V of 24 V gelijkspanning worden gebruikt.

Voor de veiligheid is de koelkast met een elektronische beveiliging tegen verkeerd polen uitgerust, die de koelkast tegen verkeerd polen bij de accuaansluiting en tegen kortsluiting beschermt.

Voor de bescherming van de accu schakelt de koelkast automatisch uit, als de spanning niet meer voldoende is (zie de volgende tabel).

	12 V	24 V
Uitschakelspanning	10,4 V	22,8 V
Herinschakelspanning	11,7 V	24,2 V

- Bepaal de vereiste kabeldiameter afhankelijk van de kabellengte aan de hand van afb. 23, pagina 8.

Legenda bij afb. 23, pagina 8

Coördinaten	Betekenis	Eenheid
l	Kabellengte	m
∅	Kabeldiameter	mm ²



LET OP!

Let op de juiste polen.

- Controleer voor ingebruikneming van het toestel of de bedrijfsspanning en de accuspanning overeenkomen (zie typeplaatje).

- ▶ Sluit uw koelkast
 - zo direct mogelijk op de polen van de accu aan of
 - op een insteekplaats aan, die met minstens 15 A (bij 12 V) resp. 7,5 A (bij 24 V) is beveiligd.

8 Koelkast gebruiken



INSTRUCTIE

Voordat u de nieuwe koelkast in gebruik neemt, moet u deze om hygiënische redenen van binnen en van buiten reinigen met een vochtige doek (zie ook hoofdstuk „Reiniging en onderhoud“ op pagina 91).

8.1 Tips om energie te sparen

- Kies een goed geventileerde en tegen zonnestralen beschermde plaats.
- Late warme levensmiddelen afkoelen, alvorens deze in het toestel koel te houden.
- Open de koelkast niet vaker dan nodig.
- Laat de deuren niet langer openstaan dan nodig.
- Ontdooi de koelkast zodra er zich een ijslaag gevormd heeft.
- Vermijd een onnodig lage binnentemperatuur.
- Verwijder regelmatig stof en vuil van de condensator.

8.2 Koelkast gebruiken

Met de koelkast kunnen verse levensmiddelen worden geconserveerd. Bovendien kunt u in het vriesvak diepgevroren levensmiddelen conserveren.



VOORZICHTIG! Gevaar voor de gezondheid!

- Vries producten die aan het ontdooien of al ontdooid zijn in geen geval opnieuw in, maar nuttig deze zo snel mogelijk.
- Zorg ervoor dat er zich enkel voorwerpen of waren in de koelkast bevinden die op de gekozen temperatuur gekoeld mogen worden.



LET OP!

Zorg ervoor dat drank of voedsel in glazen flessen niet te sterk afkoelt. Bij het bevroren zetten drank of vloeibare levensmiddelen uit. Hierdoor kunnen de glazen flessen kapot gaan.

- Schakel de koelkast in door de temperatuurregelaar (afb. **1** 9, pagina 3) uit de positie „0” te draaien.
- ✓ Na het inschakelen heeft de koelkast ongeveer 180 sec. nodig tot de compressor begint te lopen.

Temperatuur instellen

U kunt de temperatuur traploos via de temperatuurregelaar (afb. **1** 9, pagina 3) instellen. De geïntegreerde thermostaat regelt de temperatuur als volgt:

- 1 = geringste koelvermogen
- 6 = hoogste koelvermogen

In het algemeen een gemiddelde instelling optimaal.



INSTRUCTIE

Het koelvermogen kan worden beïnvloed door

- de omgevingstemperatuur
- de hoeveelheid levensmiddelen die geconserveerd dienen te worden
- het aantal keren dat de deur wordt geopend

Levensmiddelen conserveren

U kunt in het koelvak levensmiddelen conserveren. De conserveringstijd van de levensmiddelen is doorgaans op de verpakking aangegeven.



LET OP!

Conserveer geen **warme** levensmiddelen in het koelvak.
Zet geen glazen potten/flessen met vloeistoffen in het vriesvak.

- ▶ Neem de gegevens m.b.t. temperatuur en houdbaarheid op de verpakkingen van de levensmiddelen in acht.
- ▶ Neem de volgende instructies bij het conserveren in acht:
 - Vries producten die aan het ontdooien zijn of al ontdooid zijn in geen geval opnieuw in, maar nuttig deze zo snel mogelijk.
 - Bewaar levensmiddelen, die snel geuren en smaken in zich opnemen, zoals vloeistoffen en producten met een hoog alcoholpercentage, in dichte potten/flessen/bakjes.
 - Wikkel de levensmiddelen in aluminium- of polyetheleenfolies en stop ze in afsluitbare bakken met deksel. Daardoor worden de aroma's, de substantie en de versheid beter geconserveerd.

8.3 Binnenruimte indelen

U kunt de binnenruimte van de koelkast op verschillende manieren indelen door de aflegvlakken en het deurvak volgens uw eigen wensen aan te brengen.

Aflegvlakken indelen (afb. 24, pagina 8)

- ▶ Til het aflegvlak aan de achterzijde op en trek het naar voren tot het voorste gedeelte uit de geleidingen glijdt.
- ▶ Til het aflegvlak op en trek dit er iets gekanteld volledig uit.
- ▶ Kies de gewenste positie en voer het aflegvlak naar binnen, door de procedure in omgekeerde volgorde uit te voeren.

Deuropberg ruimte indelen (afb. 25, pagina 9)

- ▶ Schuif de deuropberg ruimte in de gewenste positie.

8.4 Vochtigheid regelen

U kunt de vochtigheid voor het groente- en fruitvak regelen. Hiervoor kunt u de ventilatiesleuf in de inrichting boven het groente- en fruitvak openen en sluiten (afb. **26**, pagina 9):

- Open de ventilatiesleuf (**1**) om het vochtigheidsgehalte te reduceren.
- Sluit de ventilatiesleuf (**1**) om het vochtigheidsgehalte te verhogen.

8.5 Binnenverlichting vervangen

Als de binnenverlichting in de koelkast defect is, kunt u de lamp (LED-lamp, E14, 12/24 V, 1,2 W) vervangen.

Ga hiervoor als volgt te werk (afb. **27**, pagina 10):

- Onderbreek de voedingsspanning.
- Verwijder de lampafdekking.
- Draai de lamp uit de fitting.
- Draai de nieuwe lamp in de fitting.
- Breng de lampafdekking weer aan.
- Sluit de koelkast weer elektrisch aan.

8.6 Koelkast ontdooien



INSTRUCTIE

Bij een zeer hoge omgevingstemperatuur kan het voorkomen dat de koelkast ononderbroken werkt, hetgeen leidt tot een overmatige rijpvorming aan de achterwand van het koelvak. Zet in dat geval de draairegelaar (afb. **1** 9, pagina 3) op een lagere stand („1” of „2”).

Luchtvochtigheid kan zich op de verdamper of in de binnenruimte van de koelkast als rijp afzetten, waardoor het koelvermogen vermindert. Het koelvak ontdooit automatisch tijdens de pauze van de compressor.

Een dunne rijplaag of waterdruppels kunnen in de binnenkant van de koelkast achterblijven, als deze langere tijd gekoeld heeft. Dat is normaal, aangezien het vocht in de lucht tot waterdruppels condenseert, als de temperatuur in de koelkast afkoelt. De koelkast is **niet** defect.

Het dooiwater loopt door een goot naar een speciaal reservoir aan de achterzijde van het toestel boven de compressor waar het verdampt.

► Reinig de koelkastbinnenzijde indien nodig met een vochtige doek.

Als de rijplaag dikker is dan 3 mm, moet het vriesvak worden ontdooid.

Vriesvak ontdooien



LET OP!

Gebruik nooit hard of spits gereedschap voor het verwijderen van ijslagen of het losmaken van vastgevroren voorwerpen. Dit kan de koelkast beschadigen.

Ontdooi het vriesvak als volgt:

- Neem de waren eruit.
- Bewaar deze in een ander koeltoestel zodat ze koud blijven.
- Onderbreek de voedingsspanning.
- Laat het ijs ontdooien.
- Wanneer het ijs compleet is gesmolten, reinigt u de koelkast (zie hoofdstuk „Reiniging en onderhoud” op pagina 91).
- Sluit de koelkast weer elektrisch aan.
- Laat de koelkast ca. drie uur werken in stand „5”.
- Leg de waren in de koelkast.
- Zet de temperatuurregeling op de gewenste stand.

8.7 Koelkast uitschakelen en stilleggen

Als u de koelkast lange tijd wilt stilleggen, gaat u als volgt te werk:

- Schakel de koelkast uit door de temperatuurregelaar (afb. **1** 9, pagina 3) in de positie „0” te draaien.
- Koppel de aansluitkabels van de accu los of trek de stekker van de gelijkstroomleiding uit de gelijkrichter.
- Reinig de koelkast (zie hoofdstuk „Reiniging en onderhoud” op pagina 91).
- Laat de deur licht geopend.
Zo verhindert u geurvorming.

9 Reiniging en onderhoud



WAARSCHUWING!

Scheid de koelkast voor reiniging en onderhoud van het net.



LET OP!

- Gebruik voor het reinigen geen bijtende schoonmaakmiddelen of harde voorwerpen, de koelkast zou hierdoor beschadigd kunnen raken.
- Gebruik nooit hard of spits gereedschap voor het verwijderen van ijslagen of het losmaken van vastgevroren voorwerpen.
- Gebruik geen mechanische of andere hulpmiddelen om het ontdooien te versnellen.

- Reinig de koelkast regelmatig en als hij vuil is met een vochtige doek.
- Let erop dat er geen water in de afdichtingen druppelt. Dit kan de elektronica beschadigen.
- Wis de koelkast na de reiniging droog met een doek.
- Controleer de dooiwaterafvoer regelmatig.

Reinig de dooiwaterafvoer indien nodig. Als deze verstopt is, blijft het dooiwater achter op de bodem van de koelkast.

De dauwwaterafvoer bevindt zich in het achterste deel van de koelkast boven het groente- en fruitvak. Reinig de dauwwaterafvoer (afb. 28 1, pagina 10) met het reinigingsgereedschap (afb. 28 2, pagina 10) dat zich in de afvoeropening bevindt.

- Reinig de deurafdichtingen regelmatig.
- Reinig het rooster van de condensator en de compressor aan de toestelachterzijde met een borstel.

10 Garantie

De wettelijke garantieperiode is van toepassing. Als het product defect is, wendt u zich tot het filiaal van de fabrikant in uw land (adressen zie achterkant van de handleiding) of tot uw speciaalzaak.

Voor de afhandeling van de reparatie of garantie dient u de volgende documenten mee te sturen:

- een kopie van de factuur met datum van aankoop,
- reden van de klacht of een beschrijving van de storing.

11 Afvoer



WAARSCHUWING! Gevaar voor kinderen!

Voor het afvoeren van uw oude koelkast:

- Demonteer de lade.
- Laat de aflegvlakken in de koelkast, zodat kinderen er niet kunnen instappen.



LET OP!

Bij het apparaat wordt een isolatiegas gebruikt (zie typeplaatje). Informeer u bij de verantwoordelijke plaatselijke autoriteit of bij uw plaatselijke afvalverwerkingsbedrijf over de correcte afvoer, en zorg ervoor dat het toestel en alle stoffen vakkundig worden afgevoerd.

- Laat het verpakkingsmateriaal indien mogelijk recycleren.



Als u het product definitief buiten bedrijf stelt, informeer dan bij het dichtstbijzijnde recyclingcentrum of uw speciaalzaak naar de betreffende afvoervoorschriften.

12 Storingen verhelpen

Compressor loopt niet

Storing	Mogelijke oorzaak	Oplossing
$U_{KL} = 0 \text{ V}$	Onderbreking in de aansluitleiding accu – elektronica	Verbinding tot stand brengen
	Hoofdschakelaar defect (indien aan- wezig)	Hoofdschakelaar vervangen
	Extra leidingzekering doorgebrand (indien aanwezig)	Leidingzekering vervangen
$U_{KL} \leq U_{AAN}$	Accuspanning te laag	Accu laden
Startpoging met $U_{KL} \leq U_{UIT}$	Losse kabelverbinding Slecht contact (corrosie)	Verbinding tot stand brengen
	Accucapaciteit te gering	Accu vervangen
	Kabeldiameter te gering	Kabel vervangen (zie tabel op pagina 84)
Startpoging met $U_{KL} \geq U_{AAN}$	Omgevingstemperatuur te hoog	–
	Be- en ontluchting niet voldoende	Koelkast anders zetten
	Condensator vuil	Condensator reinigen
	Ventilator defect (indien aanwezig)	Ventilator vervangen
Elektrische onderbre- king in de compressor tussen de stiften	Compressor defect	Compressor vervangen

U_{KL} Spanning tussen plus- en minkleem van de elektronica

U_{AAN} Inschakelspanning elektronica

U_{UIT} Uitschakelspanning elektronica

Binnentemperatuur te laag in regelaarstand „1”

Storing	Mogelijke oorzaak	Oplossing
Compressor loopt permanent	Thermostaatsensor heeft geen contact met verdamper	Sensor bevestigen
	Kortsluiting in thermostaatleiding thermostaat defect	Thermostaat vervangen
Compressor loopt lang	In het vriesvak werd een grotere hoeveelheid ingevroren	–

Koelvermogen vermindert, binnentemperatuur stijgt

Storing	Mogelijke oorzaak	Oplossing
Compressor loopt lang/permanent	Ijsvorming op verdamper	Verdamper ontdooien
	Omgevingstemperatuur te hoog	–
	Be- en ontluchting niet voldoende	Koelkast anders zetten
	Condensator vuil	Condensator reinigen
Compressor loopt zelden	Ventilator defect (indien aanwezig)	Ventilator vervangen
	Accu capaciteit uitgeput	Accu laden


Water in of onder de koelkast

Storing	Mogelijke oorzaak	Oplossing
Water stroomt in de binnenruimte van de koelkast	Het waterafvoerkanaal is verstopt.	Reinig de afvoer.
	De opgeslagen levensmiddelen voorkomen dat het water naar de collector stroomt.	Controleer of de levensmiddelen de achterzijde niet raken.
Water stroomt op de bodem.	Er bevindt zich te veel water in de luchtgeleider.	Reinig de luchtgeleider.

Abnormale geluiden

Storing	Mogelijke oorzaak	Oplossing
Luid brommen	Bouwdeel van de het koelcircuit kan niet vrij trillen (ligt tegen de wand aan)	Bouwdeel voorzichtig buigen
	Vreemde voorwerpen tussen koelmachine en wand geklemd	Vreemde voorwerpen verwijderen
	Ventilatorgeluid (indien aanwezig)	–

13 Technische gegevens

	HDC275
Artikelnr.:	9105204439
Inhoud koelvak:	202 l
Inhoud vriesvak:	75 l
Aansluitspanning:	12 V ⁼⁼⁼ of 24 V ⁼⁼⁼
Gemiddeld opgenomen vermogen:	61 W
Stroomverbruik bij 25 °C/32 °C:	3,3 Ah/h / 5,1 Ah/h
Koeltemperatuurbereik	
Koelvak:	0 °C tot +10 °C
Vriesvak:	-18 °C tot 0 °C
Nuttige inhoud:	277 l
Klimaatklasse:	ST (+16 °C tot +38 °C)
Luchtvochtigheid:	maximaal 90 %
Permanente helling:	maximaal 30°
Koelmiddelhoeveelheid:	180 g
CO ₂ -equivalent:	0,257 t
Aardopwarmingsvermogen (GWP):	1430
Afmetingen:	zie afb. 29 , pagina 10
Gewicht:	ca. 52 kg
Keurmerk/certificaat:	

Het koelcircuit bevat R134a.

Bevat gefluoreerde broeikasgassen

Hermetisch afgesloten apparatuur

GERMANY**Dometic WAECO International GmbH**

Hollefeldstraße 63 · D-48282 Emsdetten
 ☎ +49 (0) 2572 879-195 · 📠 +49 (0) 2572 879-322
 Mail: info@dometic-waeco.de

dometic.com**AUSTRALIA****Dometic Australia Pty. Ltd.**

1 John Duncan Court
 Varsity Lakes QLD 4227
 ☎ 1800 212121
 📠 +61 7 55076001
 Mail: sales@dometic.com.au

AUSTRIA**Dometic Austria GmbH**

Neudorferstraße 108
 A-2353 Guntramsdorf
 ☎ +43 2236 908070
 📠 +43 2236 90807060
 Mail: info@dometic.at

BENELUX**Dometic Branch Office Belgium**

Zincstraat 3
 B-1500 Halle
 ☎ +32 2 3598040
 📠 +32 2 3598050
 Mail: info@dometic.be

BRAZIL**Dometic DO Brasil LTDA**

Avenida Paulista 1754, conj. 111
 SP 01310-920 Sao Paulo
 ☎ +55 11 3251 3352
 📠 +55 11 3251 3362
 Mail: info@dometic.com.br

DENMARK**Dometic Denmark A/S**

Nordensvej 15, Taulov
 DK-7000 Fredericia
 ☎ +45 75585966
 📠 +45 75586307
 Mail: info@dometic.dk

FINLAND**Dometic Finland OY**

Mestariitie 4
 FIN-01730 Vantaa
 ☎ +358 20 7413220
 📠 +358 9 7593700
 Mail: info@dometic.fi

FRANCE**Dometic SAS**

ZA du Pré de la Dame Jeanne
 B.P. 5
 F-60128 Pleilly
 ☎ +33 3 44633525
 📠 +33 3 44633518
 Mail: vehiculesdeloisirs@dometic.fr

HONG KONG**Dometic Group Asia Pacific**

Suites 2207-11 / 22/F - Tower 1
 The Gateway - 25 Canton Road,
 Tsim Sha Tsui - Kowloon
 ☎ +852 2 4611386
 📠 +852 2 4665553
 Mail: info@waeco.com.hk

HUNGARY**Dometic Zrt. Sales Office**

Kerekgyártó u. 5.
 H-1147 Budapest
 ☎ +36 1 468 4400
 📠 +36 1 468 4401
 Mail: budapest@dometic.hu

ITALY**Dometic Italy S.r.l.**

Via Virgilio, 3
 I-47122 Forlì (FC)
 ☎ +39 0543 754901
 📠 +39 0543 754983
 Mail: vendite@dometic.it

JAPAN**Dometic KK**

Maekawa-Shibaura, Bldg. 2
 2-13-9 Shibaura Minato-ku
 Tokyo 108-0023
 ☎ +81 3 5445 3333
 📠 +81 3 5445 3339
 Mail: info@dometic.jp

MEXICO**Dometic Mx, S. de R. L. de C. V.**

Circuito Médicos No. 6 Local 1
 Colonia Ciudad Satélite
 CP 53100 Naucalpan de Juárez
 Estado de México
 ☎ +52 55 5374 4108
 📠 +52 55 5393 4683
 Mail: info@dometic.com.mx

NETHERLANDS**Dometic Benelux B.V.**

Ecustraet 3
 NL-4879 NP Etten-Leur
 ☎ +31 76 5029000
 📠 +31 76 5029019
 Mail: info@dometic.nl

NEW ZEALAND**Dometic New Zealand Ltd.**

PO Box 12011
 Penrose
 Auckland 1642
 ☎ +64 9 622 1490
 📠 +64 9 622 1573
 Mail: customerservices@dometic.co.nz

NORWAY**Dometic Norway AS**

Østerøyveien 46
 N-3232 Sandefjord
 ☎ +47 33428450
 📠 +47 33428459
 Mail: firmapost@dometic.no

POLAND**Dometic Poland Sp. z o.o.**

Ul. Puławska 435A
 PL-02-801 Warszawa
 ☎ +48 22 414 3200
 📠 +48 22 414 3201
 Mail: info@dometic.pl

PORTUGAL**Dometic Spain, S.L.**

Branch Office em Portugal
 Rot. de São Gonçalo nº 1 - Esc. 12
 2775-399 Carcavelos
 ☎ +351 219 244 173
 📠 +351 219 243 206
 Mail: info@dometic.pt

RUSSIA**Dometic RUS LLC**

Komsomolskaya square 6-1
 RU-107140 Moscow
 ☎ +7 495 780 79 39
 📠 +7 495 916 56 53
 Mail: info@dometic.ru

SINGAPORE**Dometic Pte Ltd**

18 Boon Lay Way 06-140 Trade Hub 21
 Singapore 609966
 ☎ +65 6795 3177
 📠 +65 6862 6620
 Mail: dometic@dometic.com.sg

SLOVAKIA**Dometic Slovakia s.r.o. Sales Office Bratislava**

Nádražná 34/A
 900 28 Ivanka pri Dunaji
 ☎/📠 +421 2 45 529 680
 Mail: bratislava@dometic.com

SOUTH AFRICA**Dometic (Pty) Ltd.****Regional Office****South Africa & Sub-Saharan Africa**

2 Avalon Road
 West Lake View Ext 11
 Modderfontein 1645
 Johannesburg
 ☎ +27 11 4504978
 📠 +27 11 4504976
 Mail: info@dometic.co.za

SPAIN**Dometic Spain S.L.**

Avda. Sierra del Guadarrama, 16
 E-28691 Villanueva de la Cañada
 Madrid
 ☎ +34 91 833 60 89
 📠 +34 900 100 245
 Mail: info@dometic.es

SWEDEN**Dometic Scandinavia AB**

Gustaf Melins gata 7
 S-42131 Västra Frölunda
 ☎ +46 31 7341100
 📠 +46 31 7341101
 Mail: info@dometicgroup.se

SWITZERLAND**Dometic Switzerland AG**

Riedackerstrasse 7a
 CH-8153 Rümlang
 ☎ +41 44 8187171
 📠 +41 44 8187191
 Mail: info@dometic.ch

UNITED ARAB EMIRATES**Dometic Middle East FZCO**

P. O. Box 17860
 S-D 6, Jebel Ali Freezone
 Dubai
 ☎ +971 4 883 3858
 📠 +971 4 883 3868
 Mail: info@dometic.ae

UNITED KINGDOM**Dometic UK Ltd.**

Dometic House, The Brewery
 Blandford St. Mary
 Dorset DT11 9LS
 ☎ +44 344 626 0133
 📠 +44 344 626 0143
 Mail: customerservices@dometic.co.uk

USA**Dometic RV Division**

1120 North Main Street
 Elkhart, IN 46515
 ☎ +1 574-264-2131