


# Metal Cover D21 Drop-in Cooktop

## INTRODUCTION


This Metal Cover (hereinafter referred to as “Cover”) is designed to fit the Dometic D21 Cooktop. Use these instructions to ensure correct installation, function, and operation of the Cover. This Cover is not designed to work with any other Cooktop. Dometic Corporation reserves the right to modify appearances and specifications without notice.

## IMPORTANT SAFETY INSTRUCTIONS AND DOCUMENT SYMBOLS

This manual has safety information and instructions to help you eliminate or reduce the risk of accidents and injuries. Read the entire manual before attempting installation, operation, maintenance, or storage of the Cooktop.


-  Have the installer or dealer show you where the main gas shut off valve is located so that you will know how and where to turn off the gas supply when necessary.

### A. Recognize Safety Information

-  This is the safety alert symbol. It is used to alert you to potential physical injury hazards. Obey all safety messages that follow this symbol to avoid possible injury or death.


### B. Understand Signal Words

A signal word will identify safety messages and property damage messages, and will indicate the degree or level of hazard seriousness.


 **WARNING** indicates a hazardous situation that, if NOT avoided, could result in serious injury or death.

 **CAUTION** indicates a hazardous situation that, if NOT avoided, could result in minor or moderate injury.

**NOTICE** is used to address practices **NOT** related to physical injury.

-  Indicates additional information that is not related to physical injury.

### C. Supplemental Directives

-  Read and follow all safety information outlined in the installation manual accompanying the D21 Cooktop.  
Read and follow all safety information and instructions to avoid possible injury or death.  
Read and understand these instructions before installation of this product.  
Incorrect installation / operation of this product can lead to serious injury.

The installation must comply with all applicable local or national codes, including the latest edition of the following standards:

#### U.S.A.

- ANSI/NFPA70, National Electrical Code (NEC)
- ANSI/NFPA 1192, Recreational Vehicles Code

#### CANADA

- CSA C22.1, Parts I & II, Canadian Electrical Code
- CSA Z240 RV Series, Recreational Vehicles



**Read these instructions carefully. These instructions MUST stay with this product.**

# IMPORTANT SAFETY INSTRUCTIONS AND DOCUMENT SYMBOLS

## D. General Safety Messages

**⚠ WARNING** Failure to obey the following warnings could result in death or serious injury:

- This product **MUST** be installed / serviced by a qualified service technician.
- When the Cooktop is in use, the Cover must be fully open and in the upright position.
- The Cover must be closed when the vehicle is in motion.

**⚠ CAUTION** Do not use the Cover as a griddle or cooking surface. Doing so could result in property damage or injury.

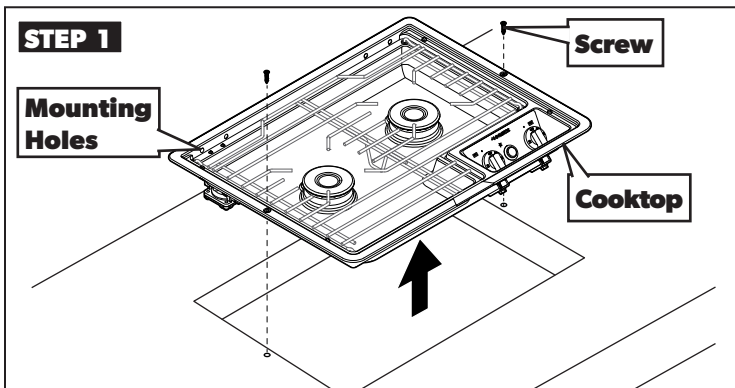
## GENERAL INFORMATION

**i** For outside use of the D21 Cooktop, the metal Cover is required. Do not store the Cooktop outside.

REQUIRED TOOLS	INCLUDED HARDWARE
Crescent Wrench	4 stainless steel nuts with toothwashers

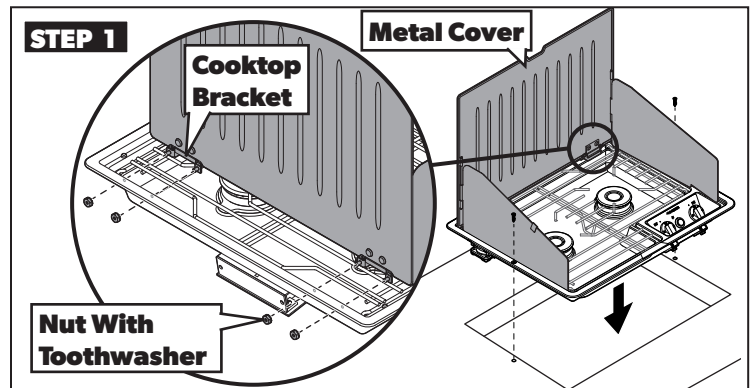
## INSTALLATION

### A. Preparing The Cooktop



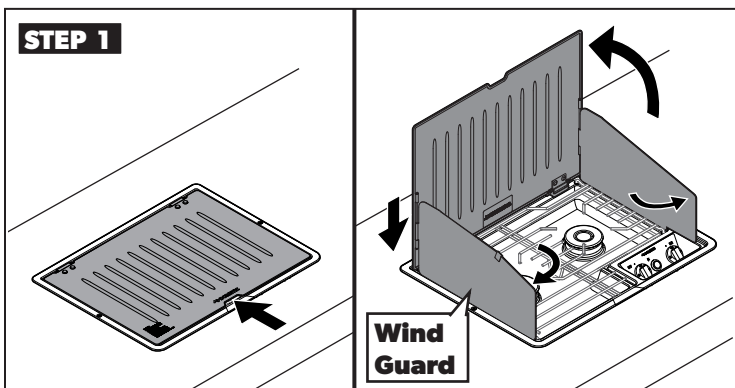
- Remove the two screws holding the Cooktop into the counter.
- Raise the Cooktop to expose the mounting holes for the Cover.

### B. Attaching The Cover



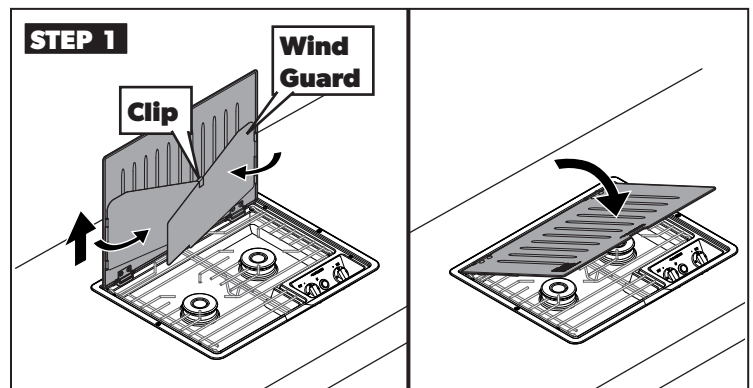
- Thread the nuts into the Cooktop bracket as shown.
- Tighten the nuts, being careful not to overtighten and distort the metal.
- Lower the Cooktop into the counter and reinstall the screws.

### C. Opening The Cover



- Lift the Cover from the center slot. Raise it completely, then drop the Cover down to lock into the back of the Cooktop.
- Unclip the wind guards, open them, and drop them into position between the Cooktop and the grate.

### D. Closing The Cover



- Fold the wind guards, clip them together, and lift them up.
- Lift up the Cover, then lower it down onto the Cooktop.