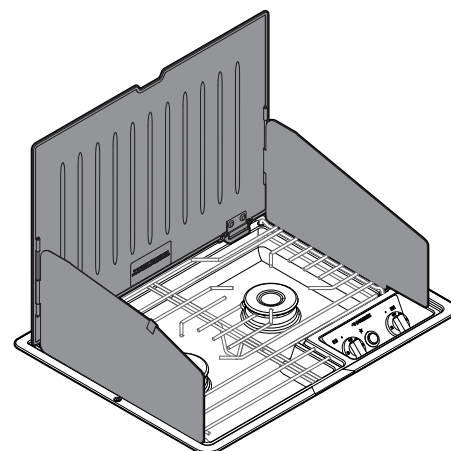
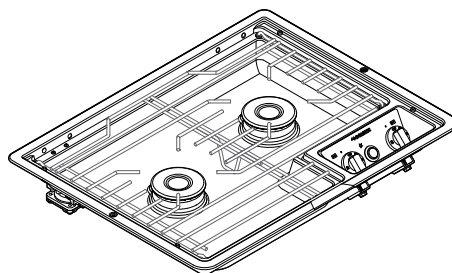
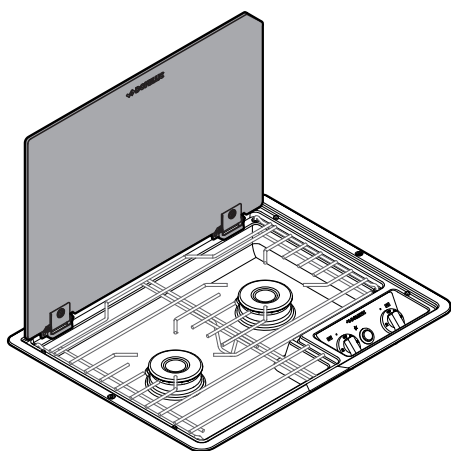


↗ DOMETIC

HOT PRODUCTS

COOKTOP



D21

- EN** **D21 Drop-in Cooktop**
Installation and Operating Manual2
- FR** **Plaque de cuisson encastrable D21**
Manuel d'installation et d'utilisation14

WARNING: If the information in this manual is not followed exactly, a fire or explosion may result, causing property damage, personal injury, or death.

– Do not store or use gasoline or other flammable vapors and liquids in the vicinity of this or any other appliance.

– **WHAT TO DO IF YOU SMELL GAS**

- Do not try to light any appliance.
- Do not touch any electrical switch.
- Do not use any phone in your recreational vehicle.
- Clear the recreational vehicle of all occupants.
- Turn off the gas supply tank valve(s) or main gas supply.
- Immediately call your gas supplier for instructions.
- If you cannot reach your gas supplier, call the fire department.

– Have the gas system checked and leakage source corrected by a qualified installer, service agency, manufacturer or dealer, or the gas supplier.

NORTH AMERICAN ADDRESS INFORMATION

USA & CANADA

Service Office
Dometic Corporation
1120 North Main Street
Elkhart, IN 46514

Service Center & Dealer Locations

Visit: www.dometic.com

REVISION F | Form No. 50269 12/22 | ©2022 Dometic Corporation



Read these instructions carefully. These instructions must stay with this product.

CONTENTS

1	Explanation of symbols and safety instructions	3
2	General information	4
3	Intended use	4
4	Installation	5
5	Operation	8
6	Maintenance, cleaning, and storage	12
7	Disposal	12
8	Replacement parts	13
	Limited two-year warranty	13

1 EXPLANATION OF SYMBOLS AND SAFETY INSTRUCTIONS

This manual has safety information and instructions to help you eliminate or reduce the risk of accidents and injuries.

1.1 Recognize safety information



This is the safety alert symbol. It is used to alert you to potential physical injury hazards. Obey all safety messages that follow this symbol to avoid possible injury or death.

1.2 Understand signal words

A signal word will identify safety messages and property damage messages, and will indicate the degree or level of hazard seriousness.

⚠ WARNING indicates a hazardous situation that, if **not** avoided, could result in death or serious injury.

⚠ CAUTION indicates a hazardous situation that, if **not** avoided, could result in minor or moderate injury.

NOTICE is used to address practices **not** related to physical injury.



indicates additional information that is **not** related to physical injury.

1.3 Supplemental directives



Read and follow all safety information and instructions to avoid possible injury or death. Read and understand these instructions before installation, use, and maintenance of this product. Incorrect installation, operation, and maintenance of this product can lead to serious injury. The installation must comply with all applicable local or national codes, including the latest edition of the following standards:

U.S.A.

- ANSI/NFPA70, National Electrical Code (NEC)
- ANSI/NFPA 1192, Recreational Vehicles Code
- ANSI Z21.57, Recreational Vehicle Code

Canada

- CSA C22.1, Parts I & II, Canadian Electrical Code
- CSA Z240 RV Series, Recreational Vehicles

1.4 General safety messages

⚠ WARNING Failure to obey the following warnings could result in death or serious injury:

- This product must be installed by a qualified service technician.
- Dometic gas-operated cooking units are for use with LP gas only and for installation in recreational vehicles only (e.g. travel trailers, motor homes, tent campers, etc.). Any other uses can lead to property damage, serious injury, or death.
- Improper installation, adjustment, service, or maintenance can cause injury, property damage, or death. Refer to this manual. For assistance or additional information, consult a qualified installer, service agency, manufacturer, or the gas supplier.
- Do **not** store or use gasoline or other flammable vapors and liquids in the vicinity of this or any other appliance.
- Shut off all gas appliances and pilot lights when refueling gasoline or LP tanks, or when the vehicle is in motion. Failure to do so can result in property damage, serious injury or death.
- Gas flames consume oxygen, which must be replaced to assure proper combustion. A window or air vent should be open slightly while using any cooking appliance. Failure to provide fresh air during combustion can lead to carbon monoxide poisoning and could result in serious injury or death.
- When the Cooktop is in use, the Cover must be fully open and in the upright position.

⚠ CAUTION Do not use the Cover as a griddle or cooking surface. Doing so could result in property damage or injury.

NOTICE The Cover must be closed when the vehicle is in motion.

i Have the installer or dealer show you where the main gas shut off valve is located so that you will know how and where to turn off the gas supply when necessary.

2 GENERAL INFORMATION

i The images used in this document are for reference purposes only. Components and component locations may vary according to specific product models. Measurements may vary ±0.38 in. (10 mm).

Included Parts	Quantity
#6 x 3/4" Screws	2
(2) Nylon Washers	2
Corner Pieces	4

Recommended Tools	
Drill	3/32" Drill Bit
#2 Drive Screwdriver	Crescent Wrenches (2)

Optional Parts*	Reference Number
Metal Cover	50236
Glass Cover	50255

*The glass cover is preinstalled on the SECG model and the metal cover is preinstalled on the BPWM models. Available as an accessory for all other models.

3 INTENDED USE

This Drop-in Cooktop (hereinafter referred to as "Cooktop") is designed and intended for use inside, or for temporary use outside, the recreational vehicle (hereinafter referred to as "RV") for which it is supplied. Use these instructions to ensure correct installation, function, and operation of the Cooktop. While this Cooktop is approved for outside installation, portable or outdoor installations into an enclosure not made from metal or wood must be approved by Dometic prior to use. Do **not** store the Cooktop outdoors. This Cooktop is **not** designed for installation adjacent to another Cooktop.

The manufacturer accepts no liability for damage in the following cases:

- Faulty assembly or connection.
- Damage to the product resulting from mechanical influences and excess voltage.
- Alterations to the product without express permission from the manufacturer.
- Use for purposes other than those described in the operating manual.

Dometic Corporation reserves the right to modify appearances and specifications without notice.

4 INSTALLATION

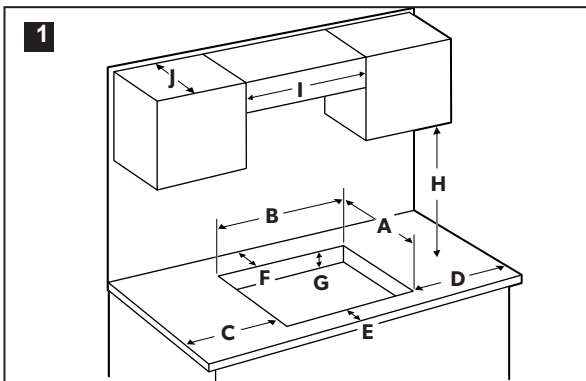
⚠ WARNING FIRE, EXPLOSION, OR BURN HAZARD. Do **not** use matches, candles, or other sources of ignition to test fittings and gas lines for leaks. Doing so could result in an explosion, causing serious injury or death.

i The gas line material between the Cooktop and the bottom shield must be rated for a minimum of 300°F (149°C) exposure.

4.1 Constructing the cabinet

For proper operation, the cabinet must:

- Be properly constructed of wood or metal, to the dimensions shown.
- Be squared to the counter top and cabinet face.
- Have the cabinet opening be level from side to side and from front to rear.
- Be positioned so that no combustible material can be placed next to the Cooktop sides. If there is a gap between the Cooktop and an adjacent cabinet, you must close the gap prior to installing the Cooktop.



A ‡	B ‡	C	D	E	F §	G	H †	I *	J ¥
13.75" (350 mm)	17.875" (455 mm)	1.875" (48 mm)	2.25" (58 mm)	0.75" (20 mm)	2.625"/1.125" (67 mm/29 mm)	4.125" (105 mm)	19.50" (20 mm)	*	¥

‡ For proper fit, these dimensions must be within +/- 1/8" (3.2 mm).

§ 2.625" (67 mm) for all models without preinstalled cover. 1.2" (31 mm) for models with preinstalled cover (SECG and BPWM models).

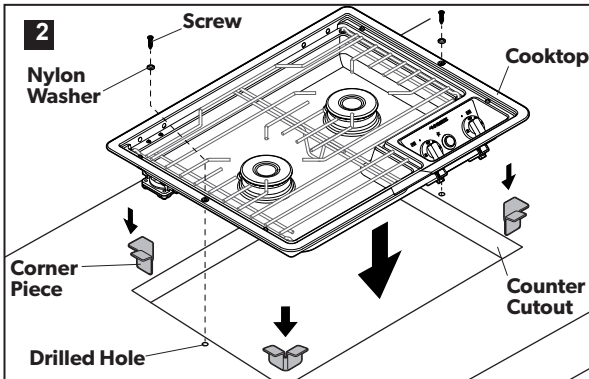
† 19.50" (H) [20 mm] is the minimum vertical distance between combustible material and the Cooktop. Installer must follow requirements of table 2-6.7.2 of ANSI 1192.

* > nominal width of the Cooktop

¥ 13.00" (J) [331 mm] is the maximum depth of cabinets installed above cooking tops per ANSI Z21.57, Clause 1.25.1.L.

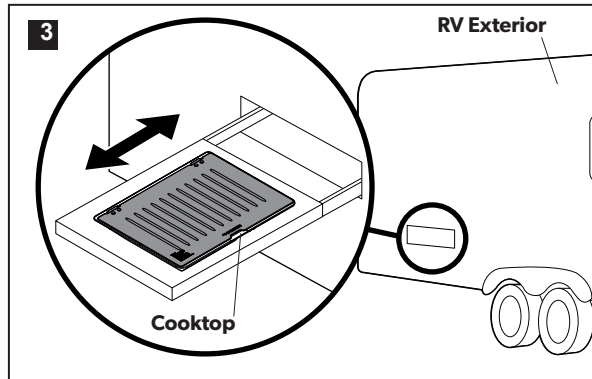
4.2 Placing your cooktop

Inside installation



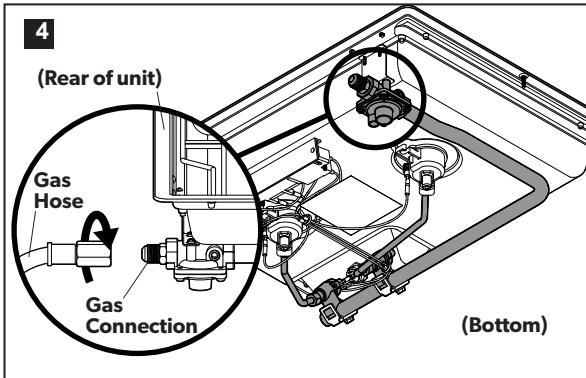
- Locate and cut the opening in the countertop according to the dimensions in "4.1 Constructing the cabinet" on page 5.
- Drill holes in the countertop to match the location of the screw holes on the Cooktop.
- Place one corner piece (supplied) at each corner of the opening, so that the lip of the corner piece is flat against the countertop.
- Insert the screws and nylon washers (supplied) to install the Cooktop.
- Place the Cooktop into the opening so that it rests on top of the corner pieces. Hand-tighten the screws to the countertop.
- Verify the Cooktop is level from side to side and front to rear.
- Tighten the screws to secure the Cooktop to the countertop using a #2 screwdriver. Do **not** overtighten.

Outside installation



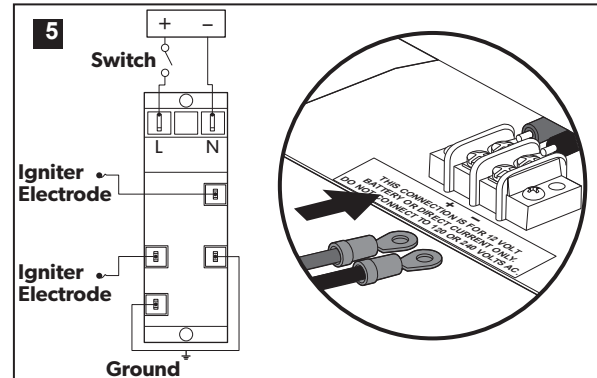
i Do **not** store the Cooktop outside.

4.3 Connecting the propane gas



- Run a propane-certified hose from the propane supply tank to the gas connection on the Cooktop.
- Tighten according to appropriate RV and gas codes. Use two wrenches when tightening. Hold regulator in place while tightening hose.
- Turn ON the gas supply by turning the gas shut-off valve on the tank counterclockwise.
- Check for leaks using a non-corrosive leak detection fluid. Leak test pressures in excess of 13.9" W.C. (1/2 psi) of air pressure will invalidate the warranty.
- After confirming there are no leaks, turn OFF the gas supply by turning the gas shut-off valve on the tank clockwise.

4.4 Connecting the 12 V ignition



- Connect the positive and negative wires to the terminal block on the back of the Cooktop.

- i** Connecting the wires to the wrong terminal will cause the igniter **not** to operate and can damage the ignition coil.
- i** For 12 V circuits only. Connecting to a higher voltage circuit can cause ignition coil damage

5 OPERATION

5.1 Operating/safety guidelines

⚠ WARNING BURN HAZARD, FIRE, EXPLOSION, AND/OR CARBON MONOXIDE HAZARD Failure to obey the following warnings could result in damage, a burn hazard, possible explosion, carbon monoxide buildup, serious injury, or death:

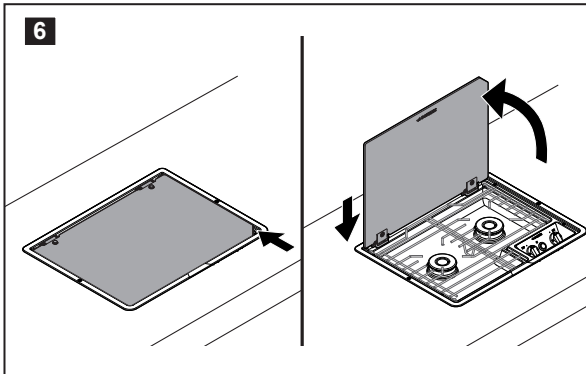
- Avoid negative draft or positive draft situations or the operation of this Cooktop during excessively windy conditions. Negative draft caused by air moving across the Cooktop may blow out the burner flame or move the flame into the Cooktop, resulting in damage, a burn hazard, possible explosion, carbon monoxide buildup, injury, or death. Do not operate the Cooktop in excessively windy conditions as this may cause a negative or positive draft. Doing so may blow out the top burner flame during use, and can result in an explosion, fire hazard, injury, or death.
- The Cooktop must be completely separated and/or sealed from other air moving or air-consuming devices such as, but not limited to, furnaces, microwave ovens, clothes dryers, cooling fans, and doors or drawers in common cabinets. Failure to do so can affect the appliance(s) combustion air supply by creating either a negative or positive draft, which can result in serious injury or death.
- Do not use the Cooktop for space heating. Doing so may cause overheating of the Cooktop and/or could cause carbon monoxide poisoning, resulting in serious injury or death.
- While operating the Cooktop, frequently check the temperature of contents within cabinet areas above the Cooktop. Do not store flammable or combustible material in cabinets above, or above and adjacent to, the Cooktop. Failure to follow this instruction could result in a fire, serious injury, or death.
- Do **not** heat unopened containers. They could explode. The hot contents may cause burns and container particles may cause injury.
- Do **not** store flammable materials on, in, or near Cooktop. Any fumes can create an explosion and/or fire hazard.
- Do **not** operate Cooktop if it is damaged or not working properly.
- Verify sufficient gas supply before attempting to light any burner. Air in the gas supply line will significantly delay burner ignition, and a burner may light unexpectedly as the air in the line clears out and is replaced by LP gas; this unexpected ignition may burn you. Air may be introduced into the supply line when the vehicle gas bottle is replaced, during servicing of other gas appliances, etc.
- If any burner should extinguish (after initially lighting or due to accidental blowout), turn all burner knobs clockwise to OFF and WAIT 5 MINUTES before attempting to re-light the burner.
- Do **not** touch burners, burner grates, or areas near burners during and after use. Do **not** let clothing or other flammable materials contact burners or areas near burners until these areas have had sufficient time to cool.
- Use large enough pans to cover the burner area and contain the cooked food. This will reduce or eliminate heavy splattering or spills that can ignite and burn you.
- Be sure that glass cooking utensils are safe for use on the Cooktop. Only certain kinds of glass utensils are suitable for surface or burner use without breaking due to sudden changes in temperature.
- Never leave burners unattended when in use, as pan contents may boil over, resulting in smoke or a grease spill that may ignite.
- Turn pan handles inward, but **not** over other top burners. This reduces the chance of burns due to bumping a pan.
- Because grease is flammable, never allow grease to collect around top burners or on the Cooktop surface. Wipe up any grease spills immediately.
- Never use water on grease fires, and never pick up a flaming pan. Smother a flaming pan with a tight-fitting lid or cookie sheet. Flaming grease outside of the pan can be extinguished with baking soda or a multipurpose dry chemical or foam-type fire extinguisher.
- Use care when lighting a burner by hand. If the burner lights unexpectedly, or your hand is close to the burner, you may be burned.
- Burner flame should **not** extend beyond the edge of the cooking utensil. The flame could burn you and cause poor cooking results.
- Control knobs must be turned OFF when **not** cooking. Someone could be burned or a fire may start if a

burner is accidentally left ON.

5.2 Operating your cover

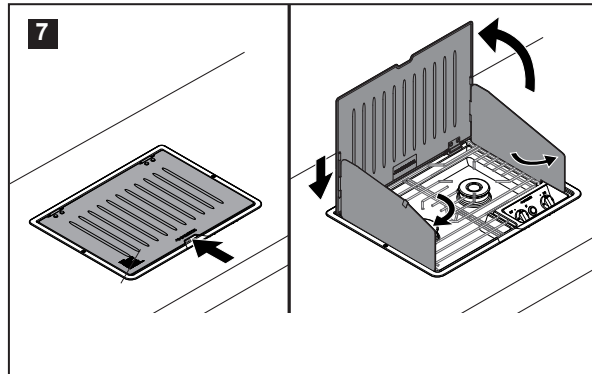
This section describes how to open and close the glass and metal covers on the Cooktop. The glass cover is preinstalled on the SECG model and the metal cover is preinstalled on the BPWM models. Covers are available as accessories for all other models.

Opening the glass cover



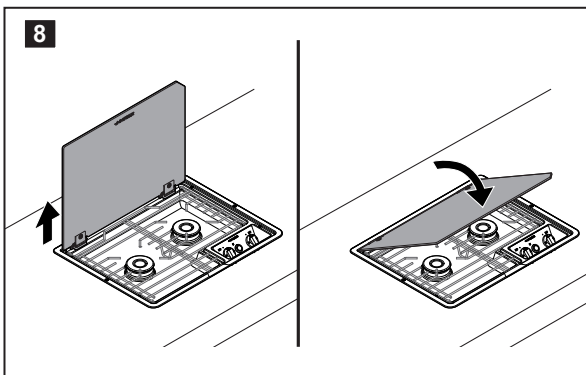
- Lift the Cover from the corner slot. Raise it completely, then gently lower the Cover down to rest on the back of the Cooktop.

Opening the metal cover



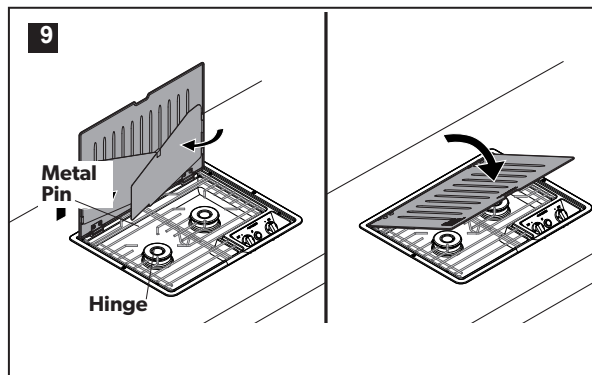
- Lift the Cover from the center slot. Raise it completely, then gently lower the Cover down to lock into the back of the Cooktop.
- Unclip the wind guards, open them, and lower them into position between the Cooktop and the grate.

Closing the glass cover



- Lift the Cover up, then gently lower it down onto the Cooktop.

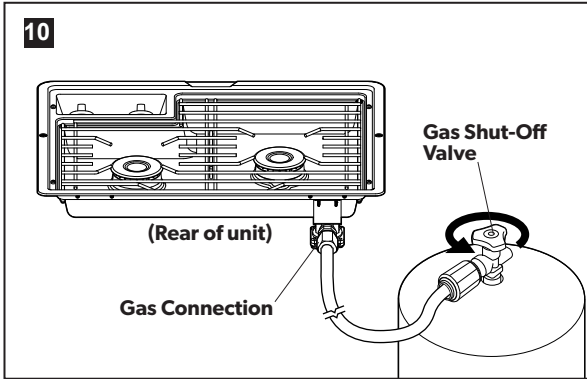
Closing the metal cover



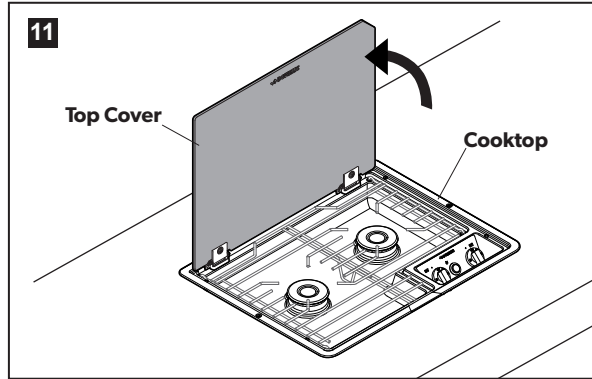
- Fold the wind guards, clip them together, and lift them up.
- Lift up the Cover, then gently lower it down onto the Cooktop.

5.3 Preparing your cooktop for use

NOTICE Glass can be easily scratched. Use care when setting items on the top of the cover. Avoid sliding items across the cover. Do not drop objects onto the cover, as this may cause breakage.



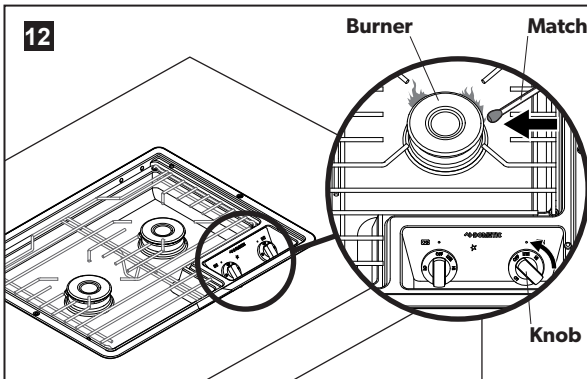
- Turn the gas ON at the gas shut-off valve (counterclockwise).



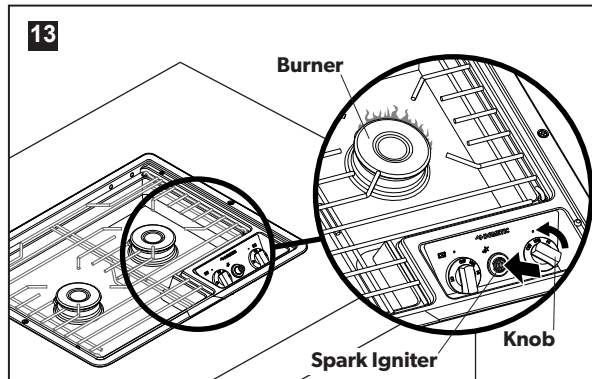
- i** If your Cooktop is equipped with a top cover, lift the top cover when operating the Cooktop. See "5.2 Operating your cover" on page 9.

5.4 Lighting the burner

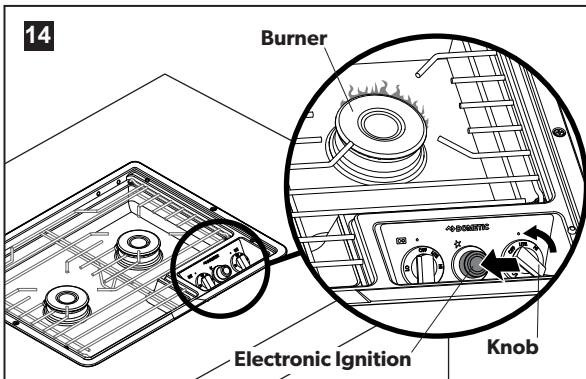
All burner controls operate counterclockwise and must be pressed inward when turning to light. Do **not** attempt to light more than one burner at a time.



- To light the Cooktop with a match, turn the knob counterclockwise and IMMEDIATELY hold a lit match near the burner.

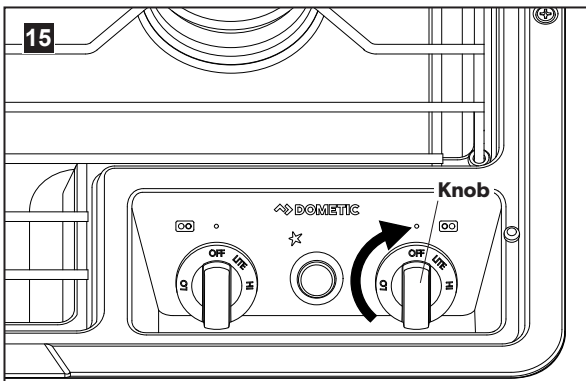


- To light the Cooktop using a spark igniter, turn the knob counterclockwise and press the spark igniter button until it clicks and the burner ignites.



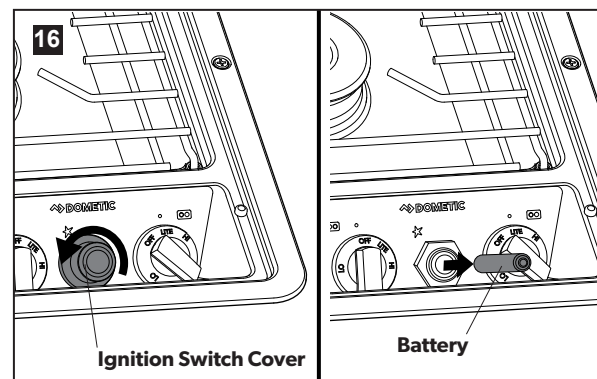
- To light the Cooktop using the electronic ignition, turn the knob counterclockwise, then press and hold the electronic ignition button until the burner lights.

5.5 Extinguishing the burner



- To extinguish the burner, turn the knob to the "OFF" position to stop the flow of gas to the burner.

5.6 Changing the battery (battery ignition)



- Unscrew the ignition switch cover.
- Remove and replace the AAA battery.

6 MAINTENANCE, CLEANING, AND STORAGE

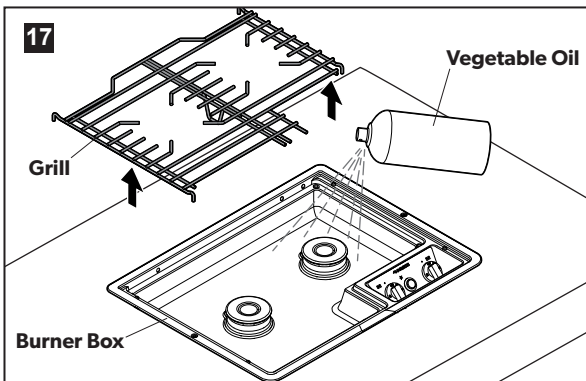
⚠ WARNING BURN HAZARD, FIRE, EXPLOSION, AND/OR CARBON MONOXIDE HAZARD. Keep Cooktop area clear of combustible cleaning materials, gasoline, and other flammable vapors and liquids. Failure to obey this warning could result in damage, a burn hazard, possible explosion, carbon monoxide buildup, serious injury, or death.

⚠ CAUTION Failure to obey the following cautions could result in damage or injury:

- All Cooktop surfaces, burner grates, and burners must be cool before cleaning or disassembling the Cooktop.
- Clean all surfaces quickly after spills.
- Use warm soapy water only to clean the burner grates, burner box, painted surfaces, porcelain surfaces, stainless steel surfaces, and plastic items on your Cooktop. Do **not** use gritty or acid-type cleaners. Do **not** use steel wool or abrasive cleaners, as they will damage your Cooktop. Use only non-abrasive plastic scrubbing pads.
- Do **not** allow foods containing acids (such as lemon juice, tomato juice, or vinegar) to remain on porcelain or painted surfaces. Acids may remove the glossy finish. Pitting and discoloration will result if spills are allowed to remain for any length of time on stainless steel. Do **not** allow spills to remain on burner caps. Caps could be permanently stained if spills are not cleaned up promptly.

i Proper installation and care will help keep your Cooktop looking and operating like new. Most cleaning can be performed using normal household items.

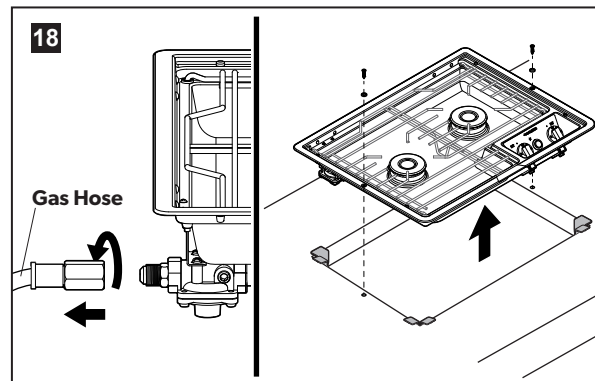
6.1 Cleaning your cooktop



- Remove the grill from the Cooktop.
- Dry all surfaces and the burner box then spray surfaces with vegetable oil or a similar product to help prevent the surface from rusting during storage.

i Clean oil off of the surface of the Cooktop before reinstalling and operating the Cooktop.

6.2 Storing your cooktop



i Refer to your installation manual for additional detail and safety messaging.

- Disconnect the gas hose from the Cooktop. Remove the screws securing the Cooktop and lift the Cooktop out of the cutout.
- Pack the Cooktop in its original packaging, or other suitable materials, to protect it from damage.

7 DISPOSAL

Place packaging material only in the appropriate recycling waste bins, whenever possible. Do **not** dispose of the range or slide-in without consulting a local recycling center or specialist dealer for details about how to dispose of the range or slide-in in accordance with the applicable national and local regulations.

8 REPLACEMENT PARTS

⚠ WARNING BURN HAZARD, FIRE, EXPLOSION, AND/OR CARBON MONOXIDE HAZARD. Use only Dometic replacement parts and components, which are specifically approved for use with the Drop-In Cooktop. Failure to obey this warning could result in damage, a burn hazard, possible explosion, carbon monoxide buildup, serious injury, or death.

For the most current parts information, visit www.eDometic.com.

LIMITED TWO-YEAR WARRANTY

LIMITED TWO-YEAR WARRANTY AVAILABLE AT WWW.DOMETIC.COM/WARRANTY.

IF YOU HAVE QUESTIONS, OR TO OBTAIN A COPY OF THE LIMITED WARRANTY FREE OF CHARGE, CONTACT:

DOMETIC CORPORATION
CUSTOMER SUPPORT CENTER
1120 NORTH MAIN STREET
ELKHART, INDIANA, USA 46514
1-800-544-4881 OPT 1

ADRESSE – AMÉRIQUE DU NORD

ÉTATS-UNIS ET CANADA

Bureau de service
Dometic Corporation
1120 North Main Street
Elkhart, IN 46514

Liste des centres de service et des revendeurs

Visitez : www.dometic.com

RÉVISION E | Document n° 50269 07/19 | ©2019 Dometic Corporation



Lire attentivement ces instructions. Ces instructions doivent rester avec ce produit.

SOMMAIRE

1	Explication des symboles et consignes de sécurité	15
2	Informations générales	16
3	Indication	16
4	Installation	17
5	Mode d'emploi	20
6	Entretien, nettoyage et entreposage	24
7	Élimination	25
8	Pièce de rechange	25
	Garantie limitée de deux ans	25

AVERTISSEMENT : Suivre à la lettre les consignes énoncées dans ce manuel, sinon il y aurait risque de départ de feu ou d'explosion causant des dégâts matériels, des blessures personnelles, voire la mort.

– Ne pas stocker ni utiliser d'essence ou d'autres vapeurs ou liquides inflammables à proximité de cet appareil ou de tout autre appareil.

– QUE FAIRE EN CAS D'ODEUR DE GAZ

- **Ne pas essayer d'allumer un quelconque appareil.**
- **Ne toucher aucun interrupteur électrique.**
- **Ne pas utiliser de téléphone dans votre véhicule récréatif.**
- **Évacuer tous les occupants du véhicule récréatif.**
- **Fermer le gaz au réservoir ou à l'arrivée de gaz réseau.**
- **Communiquer immédiatement avec le fournisseur de gaz pour recevoir ses instructions.**
- **S'il est impossible de joindre le fournisseur, appeler les pompiers.**

– Faire vérifier le circuit de gaz et réparer l'origine de la fuite par un installateur qualifié, un centre de réparation, le fabricant ou le revendeur, ou le fournisseur de gaz.

1 EXPLICATION DES SYMBOLES ET CONSIGNES DE SÉCURITÉ

Ce manuel contient des consignes de sécurité et des instructions pour aider l'utilisateur à éliminer ou réduire le risque d'accidents et de blessures.

1.1 Reconnaître les consignes de sécurité



C'est le symbole d'alerte à la sécurité. Il signale des risques de blessures physiques. Obéir à tous les messages de sécurité qui suivent ce symbole pour éviter les risques de blessures ou de mort.

1.2 Comprendre les mots-indicateurs

Un mot-indicateur identifie les messages de sécurité et les messages liés aux dégâts matériels, et signale le degré ou niveau de gravité du danger.

⚠ AVERTISSEMENT indique une situation dangereuse qui, si elle **n'est pas** évitée, peut causer la mort ou des blessures graves.

⚠ ATTENTION indique une situation dangereuse qui, si elle **n'est pas** évitée, peut causer des blessures mineures ou modérées.

AVIS est utilisé pour signaler des pratiques **non** liées à une blessure physique.



indique des renseignements additionnels **sans rapport** avec des blessures physiques.

1.3 Directives supplémentaires



Lire et suivre toutes les consignes de sécurité et les instructions pour éviter des blessures ou la mort.

Lire et bien comprendre ces instructions avant d'installer, d'utiliser et d'entretenir ce produit.

L'installation, l'utilisation et l'entretien incorrects de ce produit peuvent causer des blessures graves ou la mort.

L'installation doit se conformer à tous les codes locaux ou nationaux applicables, y compris la toute dernière édition des normes suivantes :

États-Unis

- ANSI/NFPA70, Code national de l'électricité (CNE)
- ANSI/NFPA 1192, Code des véhicules récréatifs
- ANSI Z21.57, Code des véhicules récréatifs

Canada

- CSA C22.1, Parties I et II, Code canadien de l'électricité
- CSA Z240 RV Series, véhicules récréatifs

1.4 Messages de sécurité d'ordre général

⚠ AVERTISSEMENT Le non-respect de ces avertissements pourrait entraîner de graves blessures, voire la mort :

- Ce produit doit être installé par un agent technique qualifié.
- Les appareils de cuisson au gaz Dometic s'utilisent seulement avec du propane liquide (PL) et sont uniquement destinés à une installation dans des véhicules récréatifs (caravanes, autocaravanes, caravanes à tente pliante, etc.). Toute autre utilisation peut causer des dégâts matériels, des blessures graves ou la mort.
- Une installation, un ajustement, une réparation ou une maintenance inadéquats peuvent causer des blessures, des dégâts matériels ou la mort. Se référer à ce manuel. Pour une assistance ou des renseignements complémentaires, consulter un installateur qualifié, un centre de réparation, le fabricant ou le fournisseur de gaz.
- **Ne pas** stocker ni utiliser d'essence ou d'autres vapeurs ou liquides inflammables à proximité de cet appareil ou de tout autre appareil.
- Fermer le gaz de tous les appareils au gaz et veilleuses lors d'un plein d'essence ou du remplissage de bouteilles de PL, ou lorsque le véhicule est en mouvement. Respecter cette consigne, sinon il y aurait risque de dégâts matériels, de blessures graves ou de mort.
- Les flammes consomment de l'oxygène, qui doit être renouvelé pour garantir une combustion adéquate. Une fenêtre ou une bouche d'aération doit être légèrement ouverte lors de l'utilisation de tout appareil

⚠ ATTENTION de cuisson. L'absence d'apport d'air frais en cours de combustion peut causer une intoxication au monoxyde de carbone et se solder par des blessures ou la mort.

AVIS Lorsque la plaque de cuisson est utilisée, le couvercle doit être entièrement ouvert et en position verticale.

Ne pas utiliser le couvercle comme un gril ou une surface de cuisson, sinon cela pourrait causer des dégâts matériels ou des blessures.

Le couvercle doit être fermé lorsque le véhicule se déplace.

i Demander à l'installateur ou au revendeur de montrer où se trouve le robinet d'arrêt du gaz principal afin de savoir comment et où fermer l'arrivée de gaz si nécessaire.

2 INFORMATIONS GÉNÉRALES

i Les images utilisées dans ce document sont uniquement fournies à titre de référence. Les composants et leur emplacement peuvent varier selon le modèle. Les mesures peuvent varier de $\pm 0,38$ po (10 mm).

Pièces fournies	Quantité
Vis n° 6 x 3/4 po	2
Rondelles nylon	2
Pièces d'angle	4

Outils recommandés	
Perceuse	Mèche 3/32 po
Tournevis n° 2	Clés à molette (2)

Pièces facultatives*	Numéro de référence
Couvercle métallique	50236
Couvercle en verre	50255

*Le couvercle en verre est préinstallé sur le modèle SECG et le couvercle en métal est préinstallé sur les modèles BPWM. Disponible comme accessoire pour tous les autres modèles.

3 INDICATION

Cette plaque de cuisson encastrable (ci-après appelée « plaque de cuisson ») est destinée à une utilisation à l'intérieur du véhicule récréatif (ci-après appelée « VR ») pour lequel elle est fournie, ou à une utilisation extérieure, mais temporaire. Suivre ces instructions pour garantir l'installation et le fonctionnement corrects du produit. Bien que cette plaque de cuisson soit approuvée pour une installation extérieure, les installations portables ou extérieures dans une enceinte non faite de métal ou de bois doivent être approuvées par Dometic avant utilisation. **Ne pas** entreposer la plaque de cuisson à l'extérieur. Cette plaque de cuisson **n'est pas** conçue pour une installation à côté d'une autre plaque de cuisson.

Le fabricant n'endosse aucune responsabilité en cas de dommages dans les cas suivants :

- Assemblage ou branchement incorrect.
- Endommagement du produit résultant des influences mécaniques et d'une tension excessive.
- Altération du produit sans la permission expresse du fabricant.

- Utilisation à d'autres fins que celles décrites dans le manuel d'utilisation.

Dometic Corporation se réserve le droit de modifier l'apparence et les caractéristiques techniques de

⚠ AVERTISSEMENT l'appareil sans préavis.

4 INSTALLATION

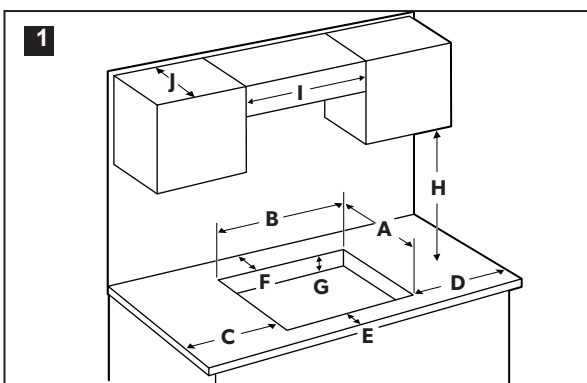
RISQUE DE DÉPART DE FEU, D'EXPLOSION OU DE BRÛLURES. **Ne pas** utiliser d'allumettes, bougies ou autres sources d'allumage pour tester l'étanchéité des raccords et lignes de gaz; cela pourrait mener à une explosion qui pourrait causer des blessures graves ou la mort.

i Le matériau de la ligne de gaz entre la plaque de cuisson et l'écran du dessous doit pouvoir supporter une exposition à 300 °F (149 °C) minimum.

4.1 Construction de l'armoire

Pour que la plaque de cuisson fonctionne correctement, l'armoire doit :

- Être correctement construite en bois ou métal, aux dimensions illustrées.
- Être d'équerre par rapport au haut du comptoir et à la face de l'armoire.
- Avoir une ouverture de niveau d'un côté à l'autre et d'avant en arrière.
- Être positionnée de sorte qu'aucun matériau combustible ne puisse être placé près des côtés de la plaque de cuisson. S'il y a un espace entre la plaque de cuisson et une armoire adjacente, le fermer avant d'installer la plaque de cuisson.



A ‡	B ‡	C	D	E	F §	G	H †	I *	J ¥
13,75 po (350 mm)	17,875 po (455 mm)	1,875 po (48 mm)	2,25 po (58 mm)	0,75 po (20 mm)	2,625 po/1,125 po (67 mm/29 mm)	4,125 po (105 mm)	19,50 po (496 mm)	*	¥

‡ Pour un ajustement correct, ces dimensions doivent être exactes à +/- 1/8 po (3,2 mm).

§ 2,625 po (67 mm) pour tous les modèles sans couvercle préinstallé. 1,2 po (31 mm) pour les modèles avec couvercle préinstallé (modèles SECG et BPWM).

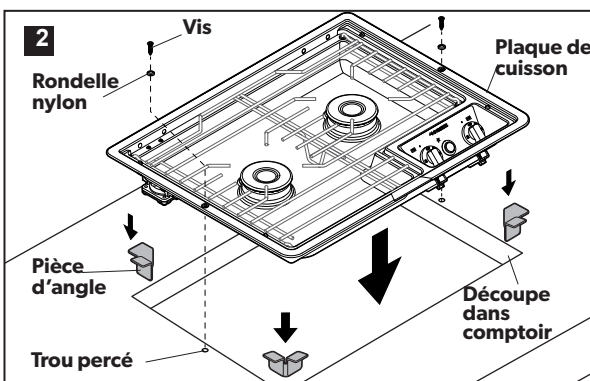
† 19,50 po (H) [496 mm] est la distance verticale minimale entre le matériau combustible et la plaque de cuisson. L'installateur doit suivre les exigences du tableau 2-6.7.2 de la norme ANSI 1192.

* > largeur nominale de la plaque de cuisson

¥ 13 po (J) [331 mm] est la profondeur maximum des armoires installées au-dessus des plaques de cuisson conformément à ANSI Z21.57, Clause 1.25.1.L.

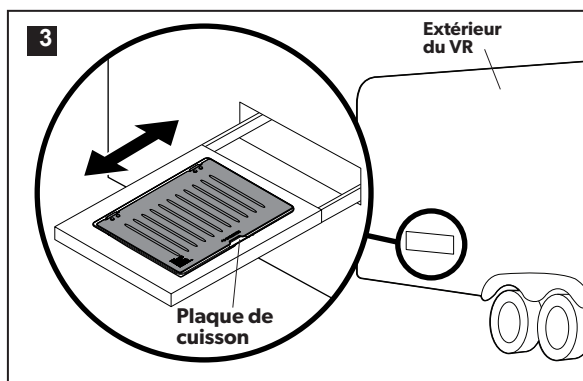
4.2 Mise en place de la plaque de cuisson

Installation à l'intérieur



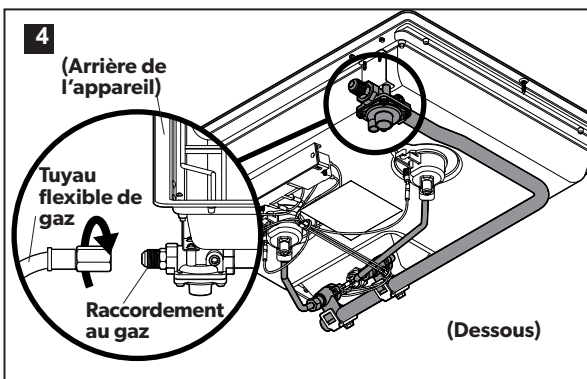
- Localiser et découper l'ouverture dans le comptoir conformément aux dimensions de la section "4.1 Construction de l'armoire" on page 17.
- Percer des trous dans le comptoir aux endroits correspondant aux trous de vis sur la plaque de cuisson.
- Placer une pièce d'angle (fournie) à chaque coin de l'ouverture de sorte que le rebord de la pièce d'angle soit à plat contre le comptoir.
- Insérer les vis et les rondelles en nylon (fournis) pour installer la plaque de cuisson.
- Placer la plaque de cuisson dans l'ouverture de sorte qu'elle soit en appui sur les pièces d'angle. Serrer les vis à la main sur le comptoir.
- S'assurer que la plaque de cuisson est de niveau d'un côté à l'autre et d'avant en arrière.
- Serrer les vis pour fixer la plaque de cuisson au comptoir avec un tournevis n° 2. **Ne pas** trop serrer.

Installation à l'extérieur



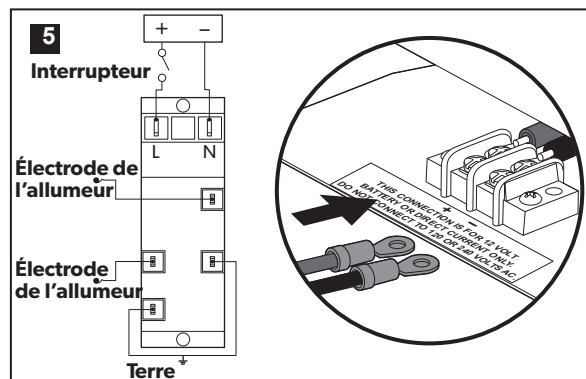
i **Ne pas** entreposer la plaque de cuisson à l'extérieur.

4.3 Raccordement au gaz propane



- Faire courir un tuyau flexible « certifié propane » de la bouteille de propane au raccord de gaz sur la plaque de cuisson.
- Serrer conformément aux codes appropriés sur les VR et le gaz. Utiliser deux clés pour serrer. Maintenir le détendeur en place en serrant le tuyau flexible.
- Ouvrir l'arrivée de gaz en tournant le robinet d'arrêt de gaz de la bouteille dans le sens anti-horaire.
- Vérifier s'il y a des fuites avec un liquide détecteur de fuites non corrosif. Les pressions de test d'étanchéité de plus de 13,9 po C.E. (1/2 psi) de pression d'air annuleront la garantie.
- Après confirmation de l'absence de fuites, fermer l'arrivée de gaz en tournant le robinet d'arrêt de gaz de la bouteille dans le sens horaire.

4.4 Branchement de l'allumage 12 V



- Brancher les fils positif et négatif sur le bornier à l'arrière de la plaque de cuisson.

i Le branchement des fils sur la mauvaise borne se soldera par le **non-fonctionnement** de l'allumage et l'endommagement éventuel de la bobine d'allumage.

i Pour les circuits 12 V seulement. Un branchement sur un circuit de tension supérieure peut endommager la bobine d'allumage.

5 MODE D'EMPLOI

5.1 Consignes de sécurité

⚠ AVERTISSEMENT RISQUE DE BRÛLURE, DÉPART DE FEU, EXPLOSION ET/OU DANGER LIÉ AU MONOXYDE DE CARBONE. Respecter les avertissements suivants, sinon il y a risque de dommages, brûlures, explosion, accumulation de monoxyde de carbone, blessures graves ou mort :

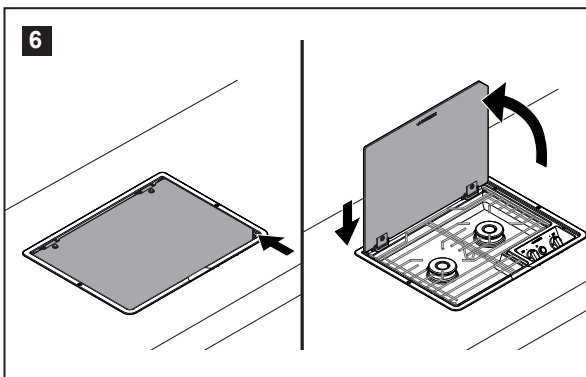
- Éviter les conditions de tirage négatif ou positif ou l'utilisation de cette plaque de cuisson par vent très fort. Un tirage négatif causé par le déplacement d'air à travers la plaque de cuisson risque d'éteindre la flamme du brûleur ou de la déplacer dans la plaque de cuisson, ce qui se soldera par des dommages, un risque de brûlure ou d'explosion, l'accumulation de monoxyde de carbone, des blessures ou la mort. Ne pas utiliser la plaque de cuisson par vent très fort, ce qui peut causer un tirage négatif ou positif. Sinon, la flamme du brûleur risque de s'éteindre en cours d'utilisation et de causer une explosion, un départ de feu, des blessures ou la mort.
- La plaque de cuisson doit être complètement séparée et/ou isolée des autres appareils déplaçant ou consommant de l'air tels que les fours, fours à micro-ondes, séchoirs, ventilateurs et portes ou tiroirs dans les placards ordinaires, entre autres. Sinon, l'apport en air de combustion de l'appareil pourra être compromis par un tirage négatif ou positif, ce qui peut causer des blessures graves ou la mort.
- Ne pas utiliser la plaque de cuisson comme chauffage d'appoint. Cela pourrait causer la surchauffe de la plaque de cuisson et/ou une intoxication au monoxyde de carbone, ce qui engendrera des blessures graves ou la mort.
- Durant l'utilisation de la plaque de cuisson, vérifier fréquemment la température du contenu dans les armoires situées au-dessus. Ne pas entreposer de matériaux inflammables ou combustibles dans les armoires situées au-dessus, ou au-dessus ou à côté de la plaque de cuisson. Respecter cette instruction, sinon il y aurait risque de feu, de blessures graves ou de mort.
- **Ne pas** faire chauffer de contenant fermé, car cela pourrait mener à une explosion. Le contenu chaud peut causer des brûlures et les particules de contenant peuvent causer des blessures.
- **Ne pas** entreposer de matériaux inflammables sur ou dans la plaque de cuisson, ou à proximité. Les vapeurs peuvent poser un risque d'explosion et/ou de départ de feu.
- **Ne pas** utiliser la plaque de cuisson si elle est endommagée ou qu'elle ne fonctionne pas correctement.
- Vérifier qu'il y a suffisamment de gaz dans la bouteille avant d'essayer d'allumer tout brûleur. La présence d'air dans la ligne d'arrivée de gaz retardera sensiblement l'allumage du brûleur, et un brûleur risque de s'allumer subitement une fois l'air évacué de la ligne et remplacé par du gaz PL; cet allumage soudain peut causer des brûlures. De l'air peut s'introduire dans la conduite d'arrivée de gaz lors du remplacement de la bouteille de gaz du véhicule, durant la réparation d'autres appareils à gaz, etc.
- Si un brûleur s'éteint (après l'allumage initial ou en raison d'un souffle accidentel), tourner tous les boutons de brûleur sur OFF et ATTENDRE 5 MINUTES avant de tenter de le rallumer.
- **Ne pas** toucher les brûleurs, les grilles de brûleur ou les zones à proximité des brûleurs durant et après utilisation. **Ne pas** laisser de vêtements ou d'autres matériaux inflammables entrer en contact avec les brûleurs ou les zones proches des brûleurs avant qu'ils n'aient eu le temps de refroidir.
- Utiliser des plats suffisamment grands pour couvrir la zone du brûleur et contenir les aliments cuits. Ceci permettra de réduire ou éliminer les projections ou déversements importants susceptibles de s'enflammer et de causer des brûlures.
- S'assurer que les ustensiles de cuisson en verre sont utilisables sur la plaque de cuisson. Seuls certains types d'ustensiles en verre sont adaptés à une utilisation sur surface ou brûleur sans se casser sous l'effet d'une variation de température soudaine.
- Ne jamais laisser les brûleurs sans surveillance en cours d'utilisation, car le contenu de la casserole ou la poêle peut déborder, causant de la fumée ou un déversement de graisse pouvant prendre feu.
- Tourner les manches de casseroles et de poêles vers l'intérieur, mais **pas** au-dessus d'autres brûleurs. Cour réduira le risque de brûlures au cas où l'on heurterait la casserole ou la poêle.
- Comme la graisse est inflammable, ne jamais la laisser s'accumuler autour des brûleurs ou à la surface de la plaque de cuisson. Essuyer immédiatement tout déversement de graisse.
- Ne jamais utiliser d'eau sur les feux de graisse et ne jamais saisir une poêle enflammée. Éteindre une poêle enflammée avec un couvercle de la taille exacte ou une tôle à biscuits. La graisse enflammée en dehors de la poêle peut être éteinte avec du bicarbonate de soude, une poudre extinctrice ABC ou un extincteur à mousse.
- Faire attention en allumant un brûleur à la main. Si le brûleur s'allume de manière intempestive ou que la main de l'utilisateur est près du brûleur, des brûlures sont possibles.

- La flamme du brûleur ne doit **pas** dépasser du bord de l'ustensile de cuisson. La flamme peut brûler et donner des résultats de cuisson décevants.
- Les boutons de commande doivent être en position arrêt (OFF) lorsque la plaque de cuisson n'est **pas** utilisée. Il y a risque de brûlure ou de départ de feu si un brûleur est accidentellement laissé en position marche.

5.2 Utilisation du couvercle

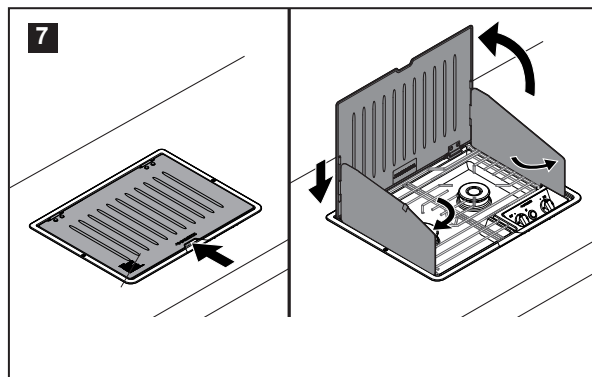
Cette section décrit l'ouverture et la fermeture des couvercles en verre et en métal de la plaque de cuisson. Le couvercle en verre est préinstallé sur le modèle SECG et le couvercle en métal est préinstallé sur les modèles BPWM. Les couvercles sont disponibles sous forme d'accessoires pour tous les autres modèles.

Ouverture du couvercle en verre



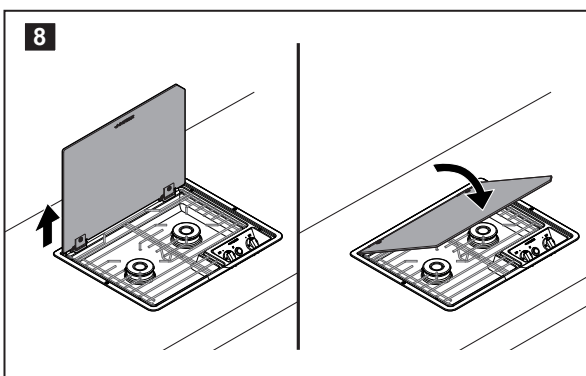
- Soulever le couvercle par la fente au coin. Le soulever complètement, puis l'abaisser doucement pour qu'il prenne appui sur l'arrière de la plaque de cuisson.

Ouverture du couvercle en métal



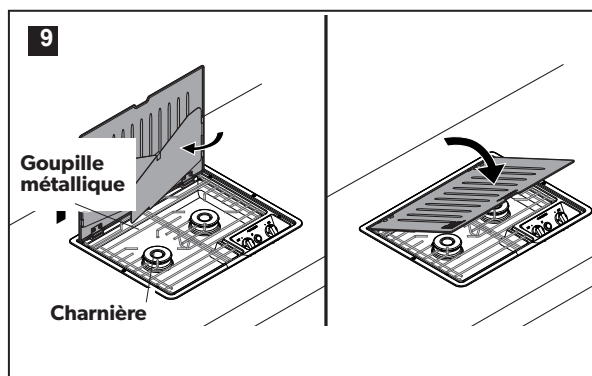
- Soulever le couvercle par la fente au centre. Le soulever complètement, puis l'abaisser doucement pour qu'il se verrouille sur l'arrière de la plaque de cuisson.
- Libérer les ailes pare-vent, les ouvrir et les abaisser en position entre la plaque de cuisson et la grille.

Fermeture du couvercle en verre



- Remonter le couvercle, puis l'abaisser doucement sur la plaque de cuisson.

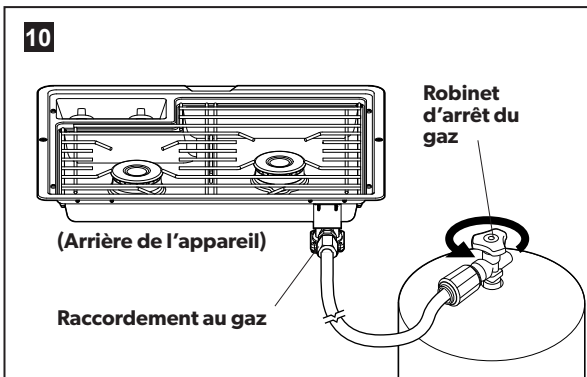
Fermeture du couvercle en métal



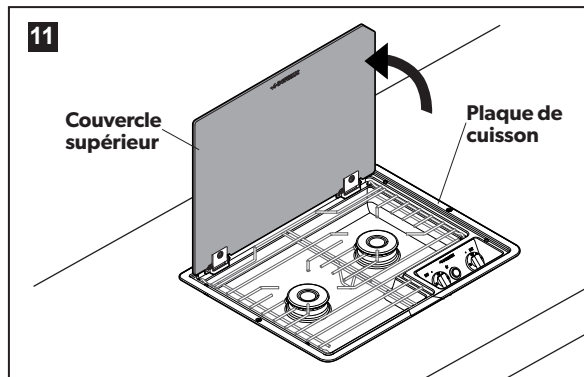
- Replier les ailes pare-vent, les fixer ensemble, puis les remonter.
- Remonter le couvercle, puis l'abaisser doucement sur la plaque de cuisson.

5.3 Préparation à l'utilisation de la plaque de cuisson

AVIS Le verre se raye facilement. Faire attention en posant des objets sur le couvercle. Éviter que des objets glissent sur le couvercle. Ne rien faire tomber sur le couvercle, sinon il pourrait se casser.



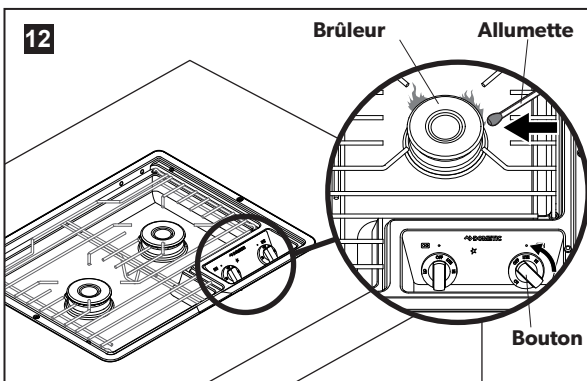
- Ouvrir le gaz au robinet d'arrêt (sens anti-horaire).



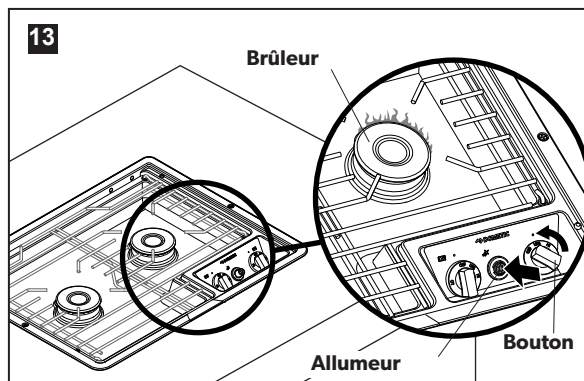
- i** Si la plaque de cuisson est équipée d'un couvercle, relever le couvercle pour utiliser la plaque de cuisson. Voir "5.2 Utilisation du couvercle" on page 21.

5.4 Allumage du brûleur

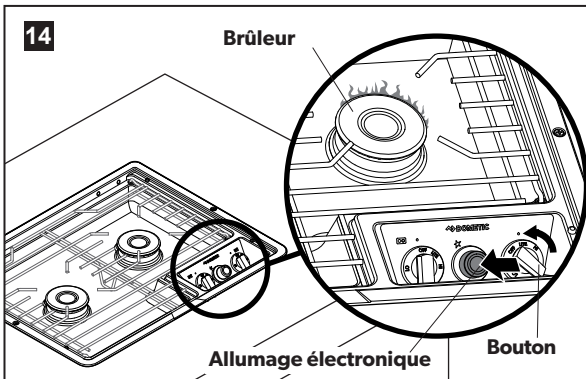
Toutes les commandes de brûleur fonctionnent dans le sens inverse des aiguilles d'une montre; pour allumer, presser et tourner. **Ne pas** essayer d'allumer plusieurs brûleurs à la fois.



- Pour allumer la plaque de cuisson avec une allumette, tourner le bouton dans le sens anti-horaire et placer IMMÉDIATEMENT une allumette allumée près du brûleur.

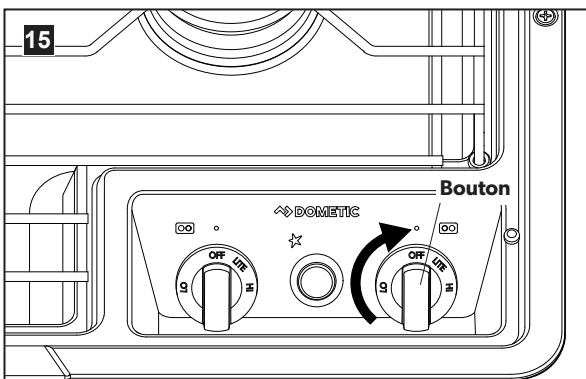


- Pour allumer la plaque de cuisson avec un allumeur, tourner le bouton dans le sens anti-horaire et appuyer sur le bouton de l'allumeur jusqu'à ce qu'il clique et que le brûleur s'allume.



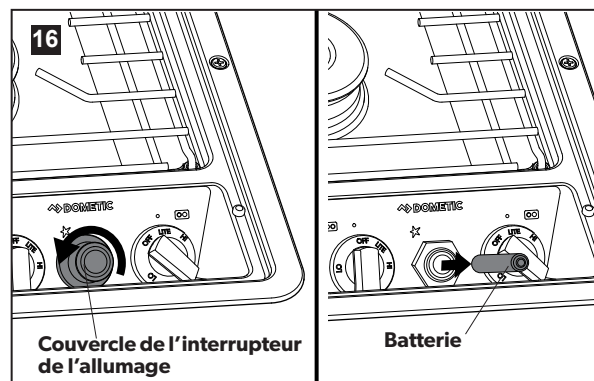
- Pour allumer la plaque de cuisson avec l'allumage électronique, tourner le bouton dans le sens anti-horaire, puis appuyer sur le bouton de l'allumage électronique jusqu'à ce que le brûleur s'allume.

5.5 Extinction du brûleur



- Pour éteindre le brûleur, tourner le bouton sur OFF pour couper l'arrivée de gaz au brûleur.

5.6 Changement de pile (allumage)



- Dévisser le couvercle de l'interrupteur de l'allumage.
- Enlever et remplacer la pile AAA.

6 ENTRETIEN, NETTOYAGE ET ENTREPOSAGE

⚠ AVERTISSEMENT RISQUE DE BRÛLURE, DÉPART DE FEU, EXPLOSION ET/OU DANGER LIÉ AU MONOXYDE DE CARBONE. Garder la zone du dessus de la plaque de cuisson à l'écart de produits de nettoyage combustibles, d'essence et autres vapeurs et liquides inflammables. Le non-respect de cet avertissement pourrait entraîner des dommages, des brûlures, une explosion, l'accumulation de monoxyde de carbone, des blessures graves ou la mort.

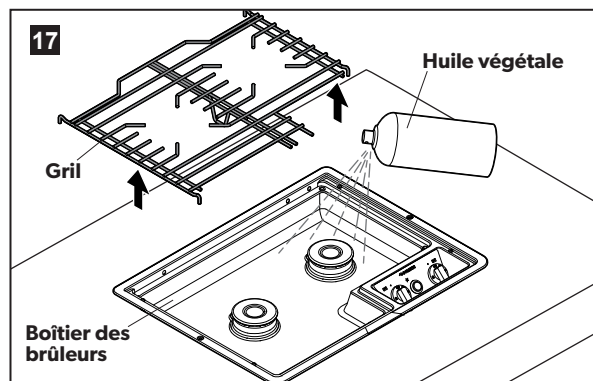
⚠ ATTENTION

Le non-respect des mises en garde suivantes pourrait entraîner des dommages ou des blessures :

- Laisser refroidir toutes les surfaces et grilles de brûleur et tous les brûleurs de la plaque de cuisson avant de la nettoyer ou de la démonter.
- Nettoyer toutes les surfaces le plus tôt possible après des déversements.
- Utiliser seulement de l'eau savonneuse chaude pour nettoyer les grilles de brûleur, le boîtier du brûleur, les surfaces peintes, les surfaces en porcelaine, les surfaces en acier inoxydable et les articles en plastique de la plaque de cuisson. **Ne pas** utiliser de nettoyants granuleux ou acides. **Ne pas** utiliser de laine d'acier ou nettoyants abrasifs, sinon il y a risque d'endommager la plaque de cuisson. Utiliser uniquement des tampons à récurer en plastique non abrasifs.
- **Ne pas** laisser les aliments contenant des acides (comme le jus de citron, le jus de tomate ou le vinaigre) stagner sur la porcelaine ou les surfaces peintes, car ils peuvent en ternir la finition. Si des déversements stagnent sur l'acier inoxydable, il en résultera des piqûres de rouille et une décoloration. **Ne pas** laisser stagner les déversements sur les cuvettes de brûleur, car celles-ci risquent d'être définitivement tachées si elles ne sont pas nettoyées au plus vite.

i Si la plaque de cuisson est installée et entretenue de manière adéquate, elle conservera son aspect neuf et fonctionnera comme au premier jour. L'essentiel du nettoyage peut se faire en utilisant des produits ménagers courants.

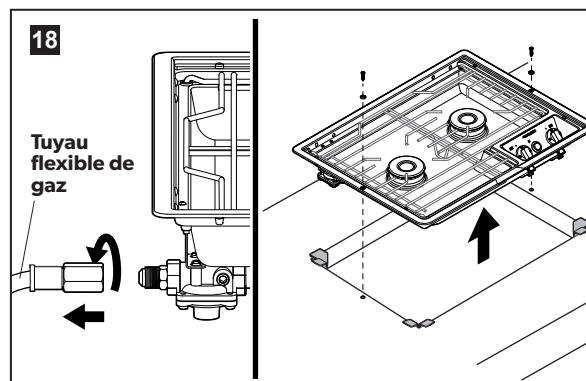
6.1 Nettoyage de la plaque de cuisson



- Enlever la grille de la plaque de cuisson.
- Essuyer toutes les surfaces et le boîtier des brûleurs, puis pulvériser de l'huile végétale ou un produit similaire sur les surfaces pour éviter la rouille pendant l'entreposage.

i Nettoyer l'huile de la surface de la plaque de cuisson avant de réinstaller et d'utiliser la plaque de cuisson.

6.2 Entreposage de la plaque de cuisson



i Pour des détails et consignes de sécurité supplémentaires, se référer au manuel d'installation.

- Déconnecter le tuyau flexible de gaz de la plaque de cuisson. Enlever les vis de la plaque de cuisson et la soulever de la découpe.
- Emballer la plaque de cuisson avec son emballage d'origine ou d'autres matériaux adaptés, pour éviter les dommages.

7 ÉLIMINATION

Placer les matériaux d'emballage seulement dans les bacs de recyclage appropriés, si possible. **Ne pas** mettre au rebut la plaque de cuisson sans consulter un centre de recyclage local ou un revendeur spécialisé pour en savoir plus sur les réglementations locales et nationales applicables en la matière.

8 PIÈCE DE RECHANGE

⚠ AVERTISSEMENT RISQUE DE BRÛLURE, DÉPART DE FEU, EXPLOSION ET/OU DANGER LIÉ AU MONOXYDE DE CARBONE. Utiliser uniquement des pièces de rechange et composants Dometic, qui sont spécifiquement approuvés pour une utilisation avec la plaque de cuisson encastrable. Le non-respect de cet avertissement pourrait entraîner des dommages, des brûlures, une explosion, l'accumulation de monoxyde de carbone, des blessures graves ou la mort.

Pour les toutes dernières informations sur les pièces, visiter www.eDometic.com.

GARANTIE LIMITÉE DE DEUX ANS

GARANTIE LIMITÉE DE DEUX ANS DISPONIBLE À WWW.DOMETIC.COM/WARRANTY.

POUR TOUTE QUESTION OU POUR OBTENIR UNE COPIE GRATUITE DE LA GARANTIE LIMITÉE, CONTACTER :

DOMETIC CORPORATION
CUSTOMER SUPPORT CENTER
1120 NORTH MAIN STREET
ELKHART, INDIANA, ÉTATS-UNIS 46514
1-800-544-4881 OPT 1



dometic.com

**YOUR LOCAL
DEALER**

dometic.com/dealer

**YOUR LOCAL
SUPPORT**

dometic.com/contact

**YOUR LOCAL
SALES OFFICE**

dometic.com/sales-offices
