

HYGIENE & SANITATION

TW SERIES DISCHARGE PUMPS

For premium tank discharge performance, Dometic TW Series pumps provide unsurpassed quality and reliability. Unlike impeller-type macerator pumps, the bellows-style TW pump can run dry without threat of damage, and draws only 6 amps at 12 V DC.

In waters where overboard discharge of a waste holding tank is permitted, the TW pump integrates with Dometic Tank Discharge (DTD) control systems* for completely automated holding tank discharge.

*Purchased separately

FAST DISCHARGE
300 GPH/1,136 LPH

PROTECTION
RUNS DRY WITHOUT DAMAGE

EASY TO USE
SELF PRIMING



12/24 V DC

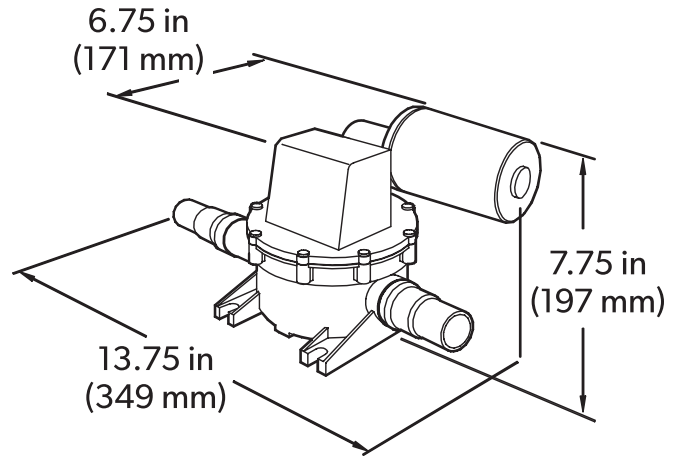
Mobile living made easy.

 **DOMETIC**

RELIABLE WASTE TANK DISCHARGE PUMP

Key Benefits

- Produces 300 gph/1136 lph flow rate
- Runs dry without harm (prevents motor burn-up)
- Self-priming to 10 feet/3.3 m of water
- Integrates with Dometic Tank Discharge (DTD) control systems
- Draws only 6 amps at 12V DC



| Model | 317301200 | 317302400 |
|------------------------------|---|----------------------------------|
| Description | 12 V DC TW series discharge pump | 24 V DC TW series discharge pump |
| Weight (lbs/kg) | 7/3.2 | 7/3.2 |
| Power Draw (avg.) | 6 amps @ 12 V DC; 3 amps @ 24 V DC | |
| Circuit Breaker/Fuse* | 10 amps @ 12 V DC; 3 amps @ 24 V DC | |
| Plumbing ID | 1.5 in./38 mm sanitation hose or PVC pipe | |

* Requires separate circuit breaker for fuse from other electrical equipment. Specifications subject to change without notice

| Discharge & Suction Lifts | | | | | | |
|---------------------------|--------|-------|-------|-------|-------|--------|
| Description (ft/m) | 0/0 | 2/0.6 | 4/1.2 | 6/1.8 | 8/2.4 | 10/3.0 |
| Suction (ft/m) | 10/3.0 | 8/2.4 | 6/1.8 | 4/1.2 | 2/0.6 | 0/0 |