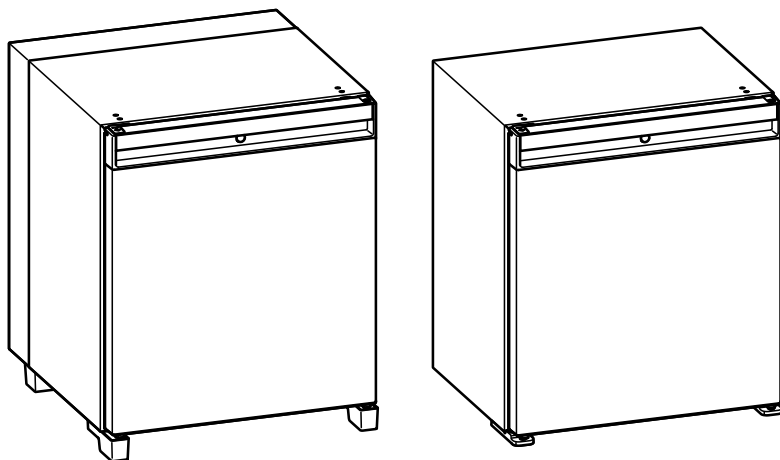


# ↗ DOMETIC REFRIGERATION HIPRO CARE



**A30, A40, C60**

<b>EN</b>	<b>Mini fridge</b>	
	Short Operating Manual.....	6

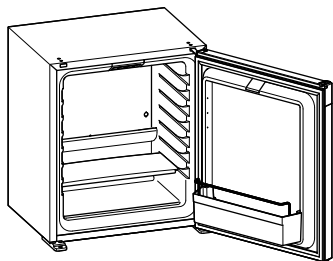
## **Copyright**

© 2024 Dometic Group. The visual appearance of the contents of this manual is protected by copyright and design law. The underlying technical design and the products contained herein may be protected by design, patent or pending patent. The trademarks mentioned in this manual belong to Dometic Sweden AB. All rights are reserved.

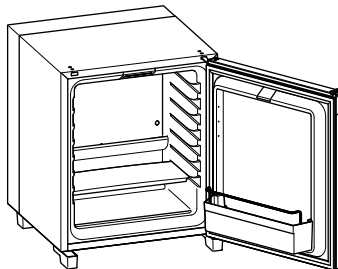
## List of Figures

### 1 MODELS

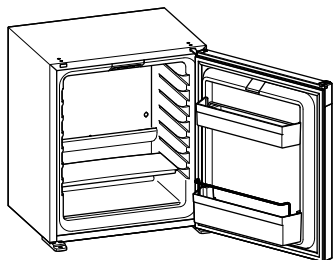
**A30SBI**



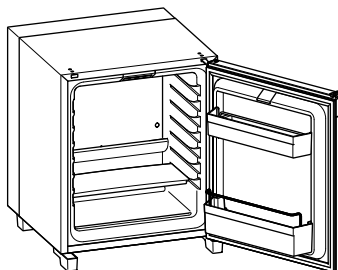
**A30SFS**



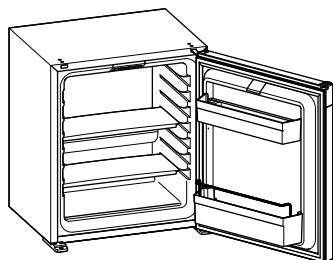
**A40SBI**



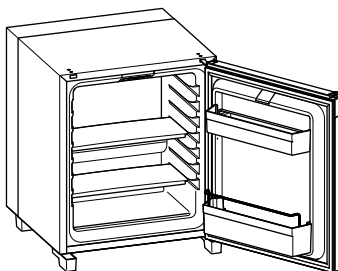
**A40SFS**



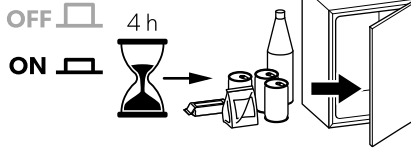
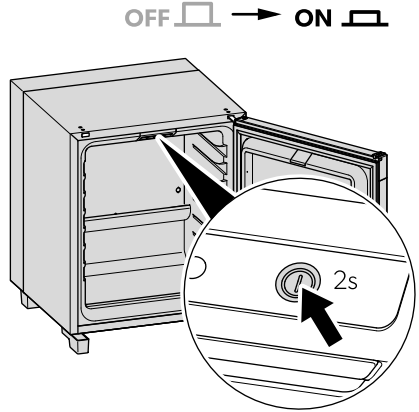
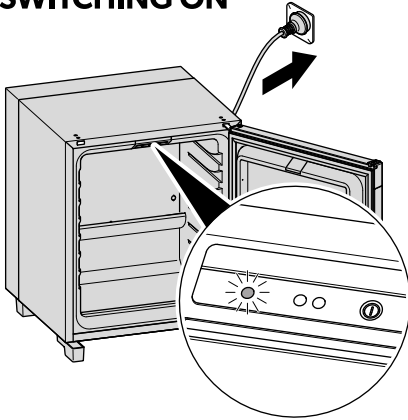
**C60SBI**



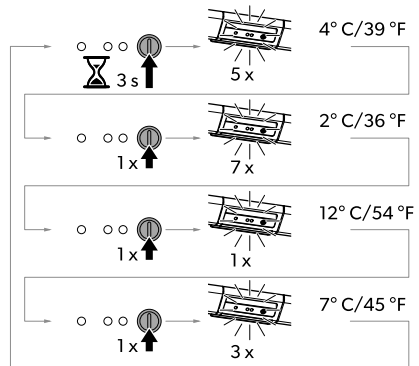
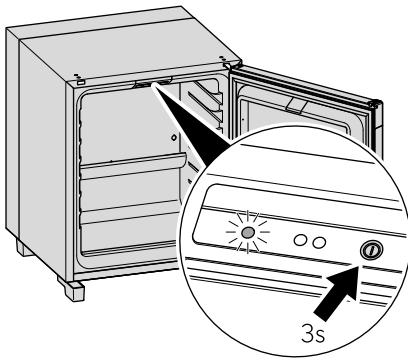
**C60SFS**



## 2 SWITCHING ON

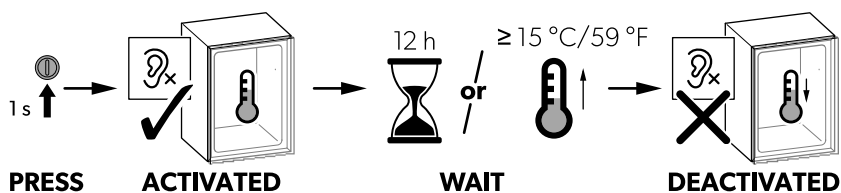
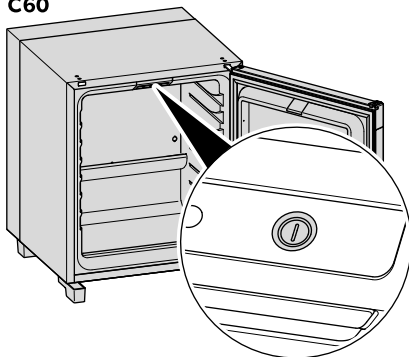
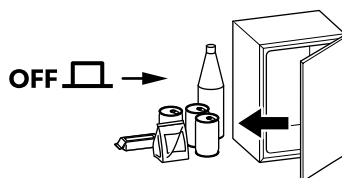
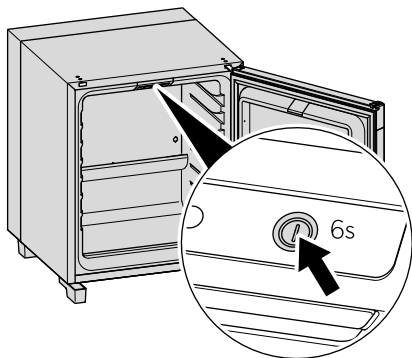


## 3 TEMPERATURE SETTING



**4 SILENT MODE**

C60

**5 SWITCHING OFF**

## English

### 1 Important notes

Please read these instructions carefully and follow all instructions, guidelines, and warnings included in this product manual in order to ensure that you install, use, and maintain the product properly at all times. These instructions **MUST** stay with this product.

By using the product, you hereby confirm that you have read all instructions, guidelines, and warnings carefully and that you understand and agree to abide by the terms and conditions as set forth herein. You agree to use this product only for the intended purpose and application and in accordance with the instructions, guidelines, and warnings as set forth in this product manual as well as in accordance with all applicable laws and regulations. A failure to read and follow the instructions and warnings set forth herein may result in an injury to yourself and others, damage to your product or damage to other property in the vicinity. This product manual, including the instructions, guidelines, and warnings, and related documentation, may be subject to changes and updates. For up-to-date product information, please visit [documents.dometic.com](http://documents.dometic.com).

### 2 Explanation of symbols



#### **DANGER!**

Indicates a hazardous situation that, if not avoided, will result in death or serious injury.



#### **WARNING!**

Indicates a hazardous situation that, if not avoided, could result in death or serious injury.



#### **CAUTION!**

Indicates a hazardous situation that, if not avoided, could result in minor or moderate injury.



#### **NOTICE!**

Indicates a situation that, if not avoided, can result in property damage.



**NOTE** Supplementary information for operating the product.

### 3 Explanation of symbols on the device



Risk of fire/ flammable materials

### 4 Safety instructions

Follow EPA use conditions.

#### General safety



#### **WARNING! Electrocutation hazard**

- Ensure that the mini fridge has been installed by a qualified technician in accordance with the Dometic installation manual.
- Do not operate the mini fridge if it is visibly damaged.
- If this mini fridge's power cable is damaged, it must be replaced by the manufacturer, a service agent or a similarly qualified person in order to prevent safety hazards.
- This mini fridge may only be repaired by qualified personnel. Inadequate repairs may cause serious hazards.
- When positioning the mini fridge, ensure the supply cord is not trapped or damaged.
- Do not locate multiple portable socket-outlets or portable power supplies at the rear of the device.
- Plug the device to sockets that ensure proper connection especially when the device needs to be grounded.



#### **WARNING! Explosion hazard**

Do not store any explosive substances, such as spray cans with propellants, in the mini fridge.



#### **WARNING! Health hazard**

- **For versions with absorption cooling:** Never open the absorber unit. It is under high pressure and can cause injury if it is opened.

- This device is not intended for use by persons (including children) with reduced physical, sensory or mental capabilities, or lack of experience and knowledge, unless they have been given supervision or instruction concerning use of the device by a person responsible for their safety.
- Children must be supervised to ensure that they do not play with the mini fridge.
- Cleaning and user maintenance may not be carried out by unsupervised children.
- Children aged from 3 to 8 years are allowed to load and unload the mini fridge.



#### **CAUTION! Electrocutation hazard**

Before starting the mini fridge, ensure that the power supply line and the plug are dry.



#### **CAUTION! Health hazard**

- Ensure only to put items in the mini fridge which may be chilled at the selected temperature.
- Food may only be stored in its original packaging or in suitable containers.
- Opening the door for long periods can cause significant increase of the temperature in the compartments of the mini fridge.
- Clean regularly surfaces that can come in contact with food and accessible drainage systems.
- Store raw meat and fish in suitable containers in the mini fridge, so that it is not in contact with and cannot drip onto other food.
- If the mini fridge is left empty for long periods:
  - Switch off the mini fridge.
  - Defrost the mini fridge.
  - Clean and dry the mini fridge.
  - Leave the door open to prevent mold developing within the mini fridge.



#### **CAUTION! Risk of crushing**

Do not put your fingers into the hinge.



#### **CAUTION! Health hazard**

Foodstuff may only be stored in its original packaging or in suitable containers.



#### **NOTICE! Damage hazard**

- Check that the voltage specification on the data plate is the same as that of the power supply.
- Only use the cable supplied to connect the mini fridge to the AC mains.
- Never pull the plug out of the socket by the connection cable.
- Insufficient air flow results in a shortened lifespan and a reduced cooling performance. Observe the minimum spacings when installing the mini fridge to furniture (refer to the installation manual).
- Keep the condensate drain clean at all times.
- Only carry the mini fridge upright.



#### **NOTICE! Damage hazard**

- Do not place the mini fridge near naked flames or other heat sources (heaters, direct sunlight, gas ovens etc.).
- Ensure that the ventilation vents are not covered.
- Never immerse the mini fridge in water.
- Protect the mini fridge and the cable against heat and moisture.
- Ensure that foodstuffs do not touch the walls of the cooling area.

## **Operating the device safely**



#### **DANGER! Electrocutation hazard**

Do not touch exposed cables with your bare hands.

## 5 Related documents



Find the detailed operating manual online at [qr.dometic.com/beDMLu](http://qr.dometic.com/beDMLu).

## 6 Intended use

The refrigeration appliance (also referred to as mini fridge) is intended for cooling and storing beverages and food in closed containers, and fresh foods.

The mini fridge is designed to be used in household and similar applications such as:

- Staff kitchens in stores, offices and other working environments
- Farmhouses
- Hotels, motels and other residential type environments
- Bed and breakfast type environments
- Catering and similar non-retail applications

The mini fridge is **not** designed for installation in caravans or motor homes.

The mini fridge is suitable either as a built-in appliance or as a freestanding refrigeration appliance. Refer to the installation instructions.

The mini fridge is **not** suitable for

- Storage of corrosive, caustic or solvent-containing substances
- Storage of medicine
- Deep-freezing of foodstuff

This product is only suitable for the intended purpose and application in accordance with these instructions.

This manual provides information that is necessary for proper installation and/or operation of the product. Poor installation and/or improper operation or maintenance will result in unsatisfactory performance and a possible failure.






The manufacturer accepts no liability for any injury or damage to the product resulting from:

- Incorrect installation, assembly or connection, including excess voltage
- Incorrect maintenance or use of spare parts other than original spare parts provided by the manufacturer
- Alterations to the product without express permission from the manufacturer
- Use for purposes other than those described in this manual

Dometic reserves the right to change product appearance and product specifications.

## 7 Operation

Proceed as shown:

- > Overview of the models available:
  -  **Fig. 1 on page 3**
- > Switching on:
  -  **Fig. 2 on page 4**
- > Setting the temperature:
  -  **Fig. 3 on page 4**
- > Setting the silent mode (standby) (C60SBI, C60SFS only):
  -  **Fig. 4 on page 5**
- > Switching off:
  -  **Fig. 5 on page 5**

## 8 Cleaning and maintenance



### **WARNING! Electrocutation hazard**

Always disconnect the device from the mains before cleaning and maintenance.



### **NOTICE! Damage hazard**

- Do not use abrasive cleaning agents or hard objects during cleaning as these can damage the device.
- Never use hard or sharp tools to remove ice or to free frozen objects on the device.
- Do not use any mechanical tools or any other tools to speed up the defrosting process.



- The light source can only be replaced by the manufacturer, a service agent or similarly qualified person to avoid hazard.
- > Clean the device regularly and as soon as it becomes dirty with a damp cloth.
  - > Wipe the device dry with a cloth after cleaning.
  - > Check the condensate drain regularly.  
Clean the condensate drain when necessary. If it is blocked, the condensate collects on the bottom of the device.
  - > **For absorber versions:** Use a brush or soft cloth annually to remove dust from the absorber unit.

## 9 Disposal



### WARNING! Fire hazard

- The refrigerant is highly flammable. Do not open or damage the refrigerant circuit.
- The insulation of the device contains an insulating gas (see data plate). Do not damage the insulation.



Recycling packaging material: Place the packaging material in the appropriate recycling waste bins wherever possible.



Recycling products with non-replaceable batteries, rechargeable batteries, or light sources:

- If the product contains any non-replaceable batteries, rechargeable batteries, or light sources, you don't have to remove them before disposal.
- If you wish to finally dispose of the product, ask your local recycling center or specialist dealer for details about how to do this in accordance with the applicable disposal regulations.







[dometic.com](https://dometic.com)

---

## **YOUR LOCAL DEALER**

[dometic.com/dealer](https://dometic.com/dealer)

## **YOUR LOCAL SUPPORT**

[dometic.com/contact](https://dometic.com/contact)

## **YOUR LOCAL SALES OFFICE**

[dometic.com/sales-offices](https://dometic.com/sales-offices)

---