

CLIMATE

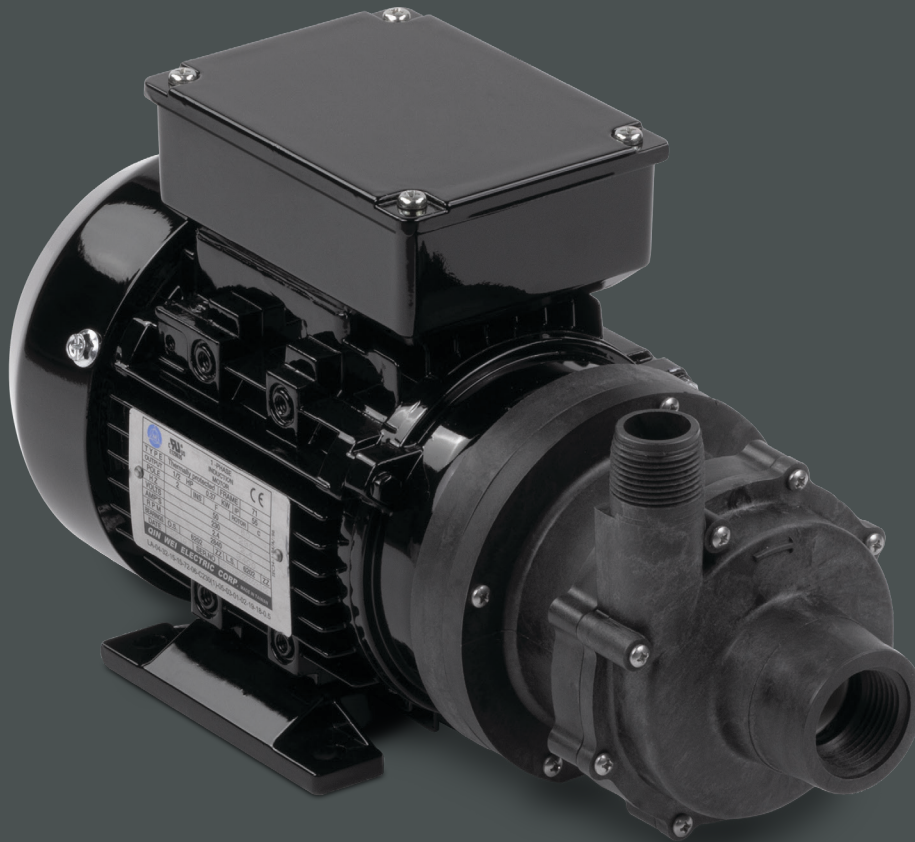
MAGDRIVE CENTRIFUGAL SEALLESS PUMP FOR MARINE A/C

The new Dometic magnet-drive centrifugal sealless pump is designed and engineered to improve the reliability and performance of marine air conditioning systems. Its durable construction can withstand harsh marine conditions. For chilled water or seawater applications.

ROBUST
EXTENDED RUN DRY

SEALLESS
NO MECHANICAL SEALS

LEAD FREE
EPA FRIENDLY



Mobile living made easy.

 **DOMETIC**

ROBUST SEALLESS PUMP



MagDrive sealless pump series is a rugged design with no mechanical seals. The composite heads and impellers will not be affected by the corrosive seawater. The carbon bushings will give the pump added protection in run dry situations. Rugged construction and a strong neodymium magnet make this pump robust and very low maintenance.

FEATURES

- Composite non-corrosive pump head and impeller
- No mechanical seals
- Run Dry protection (carbon bushings)
- Rotatable pump head
- Multi-position pump bracket
- Stainless hardware
- Full size electric box
- 115 volt and 230 volt models
- Single and Three phase models
- Dual frequency
- TEFC pump motors
- Lead free
- All sizes available in chilled water pump packages



NON CORROSIVE COMPOSITE HEAD AND IMPELLER



EASY TO ACCESS FULL SIZE ELECTRIC BOX

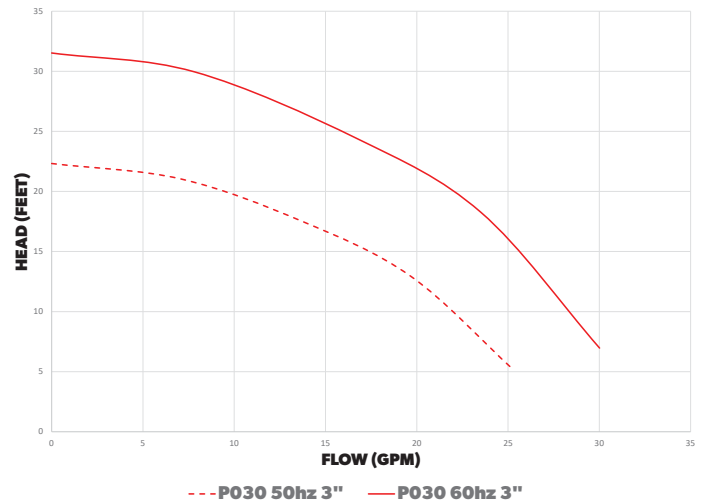
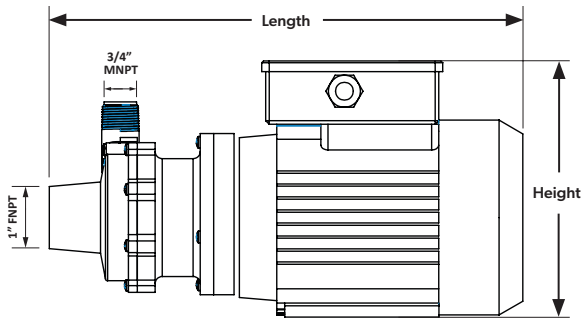
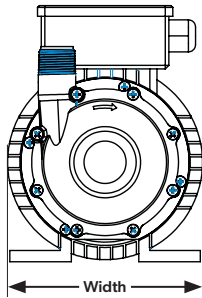
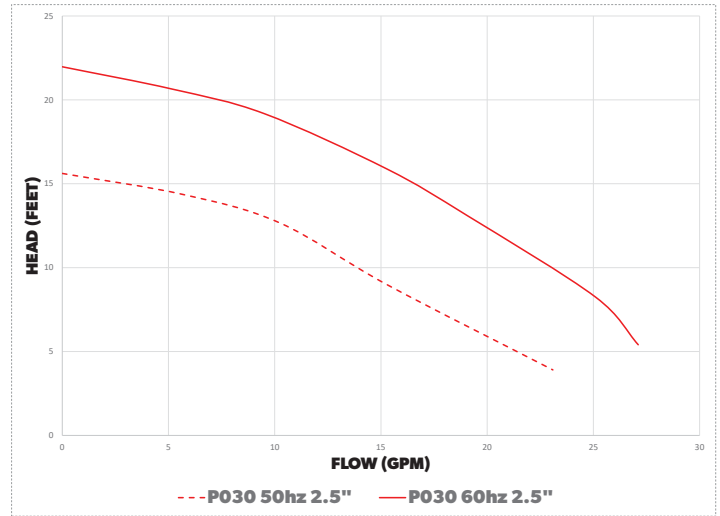


FLEXIBLE MOTOR MOUNT LOCATIONS

P030M MAGNET-DRIVE CENTRIFUGAL PUMPS



TECHNICAL DATA



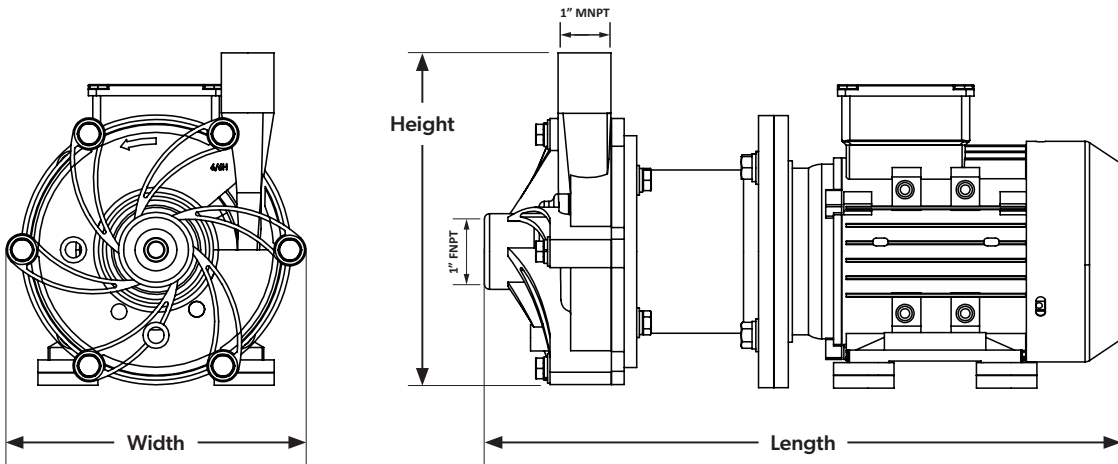
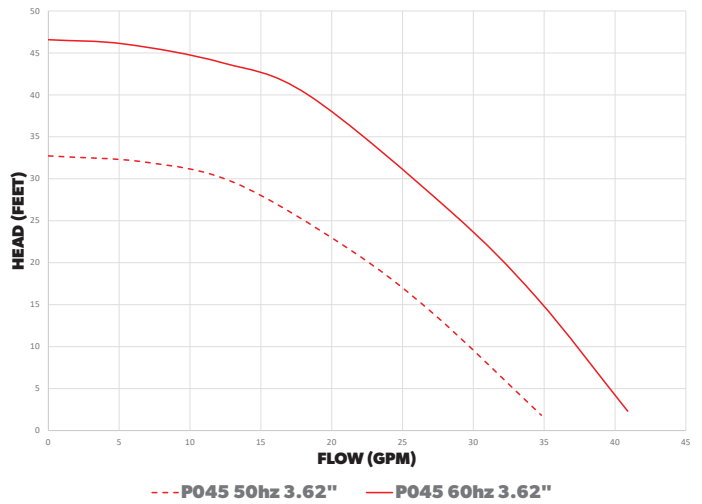
| SELLABLE ITEM # | HP 60 HZ | HP 50 HZ | PHASE | VOLTS 60 HZ | VOLTS 50 HZ | AMPS 60 HZ | AMPS 50 HZ | DIM L* (IN) | DIM W* (IN) | DIM H* (IN) | IMPELLER SIZE | WEAR KIT ITEM # | WET END ITEM # |
|-----------------|----------|----------|-------|-------------|-------------|------------|------------|-------------|-------------|-------------|---------------|-----------------|----------------|
| 9610002000 | 0.25 | 0.25 | 1 | 115 | 110 | 2.5 | 3.3 | 12.8 | 5.4 | 6.8 | 2.5 | 4471004032 | 4471004037 |
| 9610001803 | 0.25 | 0.25 | 1 | 230 | 220 | 1.5 | 1.9 | 12.8 | 5.4 | 6.8 | 2.5 | 4471004032 | 4471004037 |
| 9610001976 | 0.50 | 0.50 | 1 | 115 | 110 | 4.2 | 5.6 | 13.3 | 5.4 | 7.2 | 3.0 | 4471004032 | 4471004038 |
| 9610001977 | 0.50 | 0.50 | 1 | 230 | 220 | 2.2 | 2.7 | 13.3 | 5.4 | 7.2 | 3.0 | 4471004032 | 4471004038 |
| 9610001980 | 0.50 | 0.50 | 3 | 230/460 | 230/460 | 1.6/0.8 | 1.7/0.9 | 13.4 | 5.4 | 6.9 | 3.0 | 4471004032 | 4471004038 |

*"L" and "W" values may be +/- 1/4"

P045M MAGNET-DRIVE CENTRIFUGAL PUMPS



TECHNICAL DATA



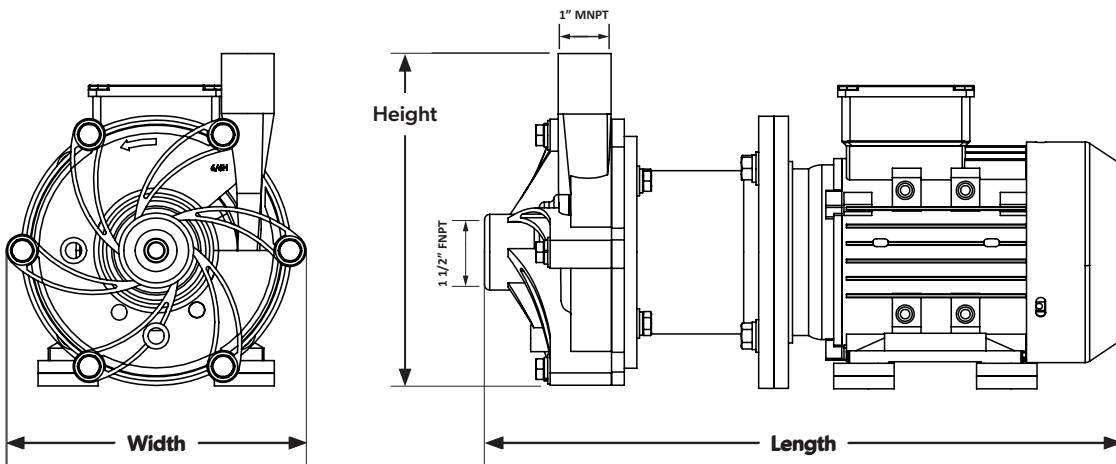
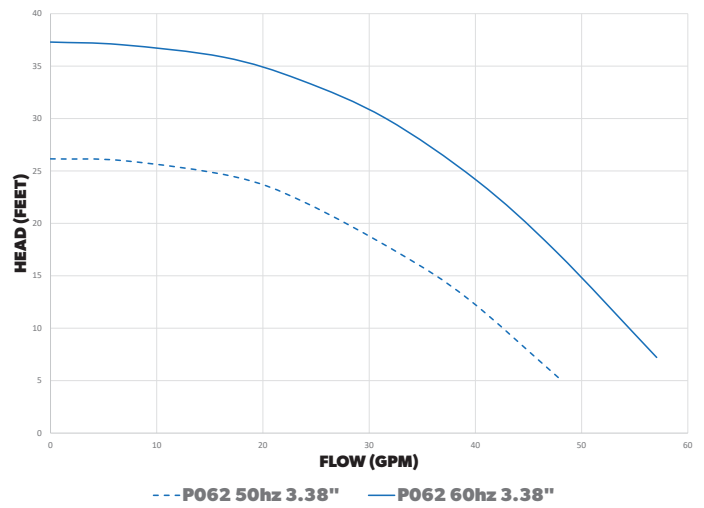
| SELLABLE ITEM # | HP 60 HZ | HP 50 HZ | PHASE | VOLTS 60 HZ | VOLTS 50 HZ | AMPS 60 HZ | AMPS 50 HZ | DIM L* (IN) | DIM W* (IN) | DIM H* (IN) | IMPELLER SIZE | WEAR KIT ITEM # | WET END ITEM # |
|-----------------|----------|----------|-------|-------------|-------------|------------|------------|-------------|-------------|-------------|---------------|-----------------|----------------|
| 9610001978 | 0.5 | 0.5 | 1 | 115 | 115 | 4.6 | 5.6 | 15.8 | 7.5 | 8.40 | 3.62 | 4471004034 | 4471004039 |
| 9610001979 | 0.5 | 0.5 | 1 | 230 | 230 | 2.2 | 2.7 | 15.8 | 7.5 | 8.40 | 3.62 | 4471004034 | 4471004039 |

*"L" and "W" values may be +/- 1/4"

P062M MAGNET-DRIVE CENTRIFUGAL PUMPS



TECHNICAL DATA



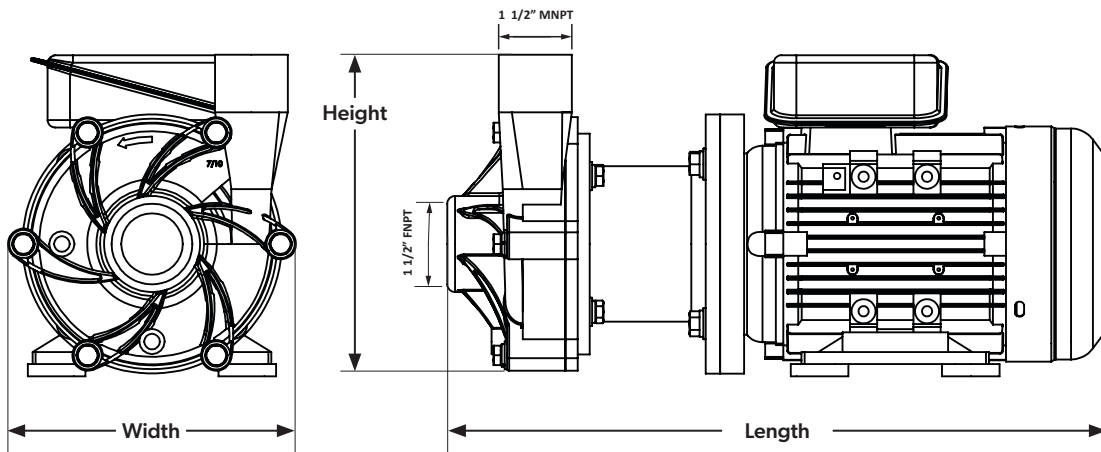
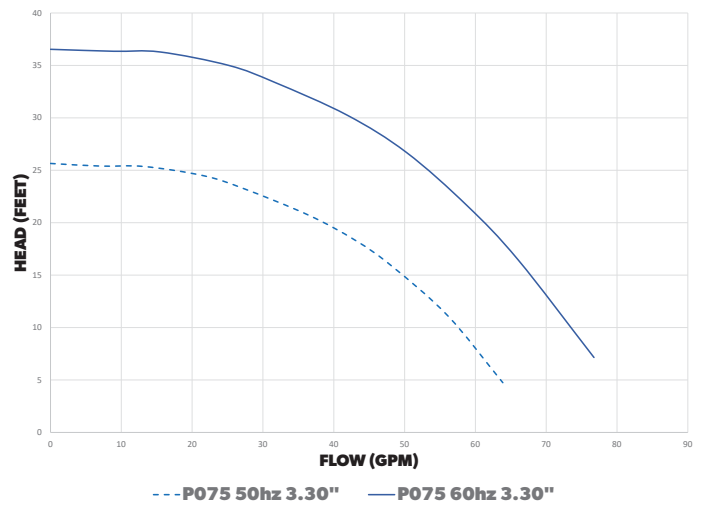
| SELLABLE ITEM # | HP 60 HZ | HP 50 HZ | PHASE | VOLTS 60 HZ | VOLTS 50 HZ | AMPS 60 HZ | AMPS 50 HZ | DIM L* (IN) | DIM W* (IN) | DIM H* (IN) | IMPELLER SIZE | WEAR KIT ITEM # | WET END ITEM # |
|-----------------|----------|----------|-------|-------------|-------------|------------|------------|-------------|-------------|-------------|---------------|-----------------|----------------|
| 9610001981 | 0.5 | 0.5 | 1 | 115 | 115 | 4.6 | 5.6 | 15.7 | 7.5 | 8.4 | 3.5 | 4471004034 | 4471004040 |
| 9610001982 | 0.5 | 0.5 | 1 | 230 | 230 | 2.2 | 2.7 | 15.7 | 7.5 | 8.4 | 3.5 | 4471004034 | 4471004040 |
| 9610001983 | 0.5 | 0.5 | 3 | 230/460 | 230/460 | 1.6/0.8 | 1.7/0.9 | 15.7 | 7.5 | 8.4 | 3.5 | 4471004034 | 4471004040 |

*"L" and "W" values may be +/- 1/4"

P075M MAGNET-DRIVE CENTRIFUGAL PUMPS



TECHNICAL DATA



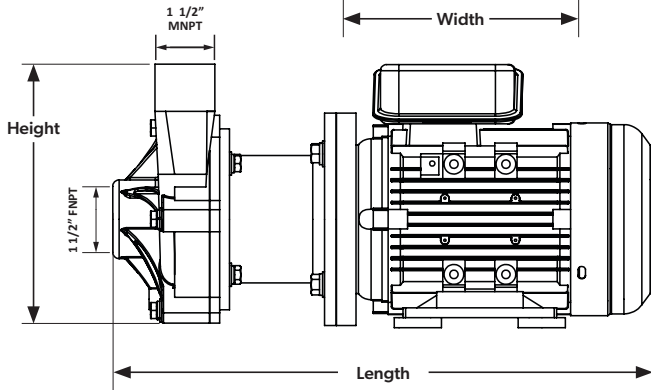
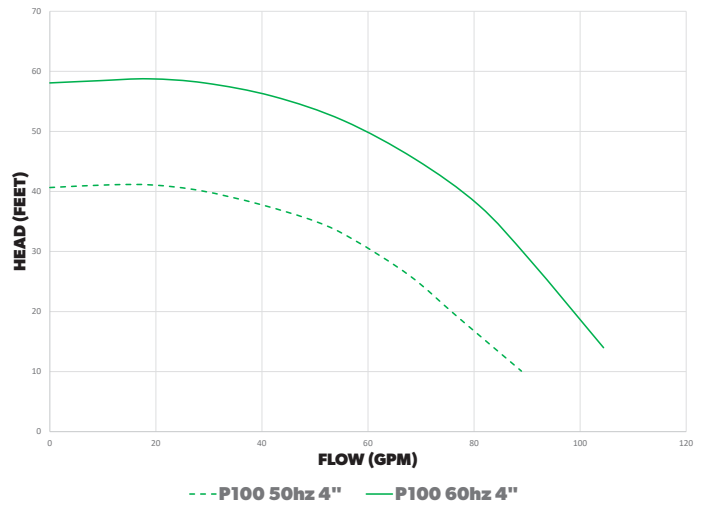
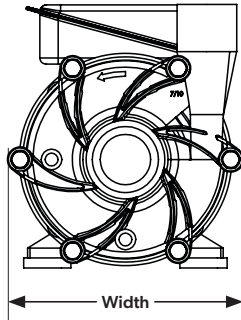
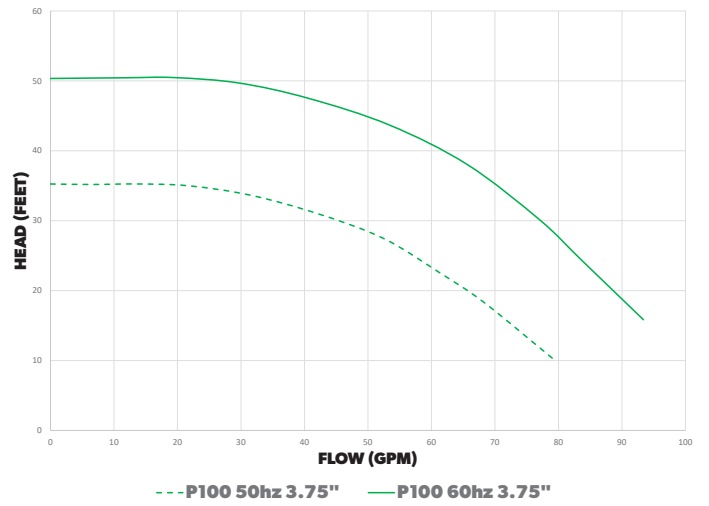
| SELLABLE ITEM # | HP 60 HZ | HP 50 HZ | PHASE | VOLTS 60 HZ | VOLTS 50 HZ | AMPS 60 HZ | AMPS 50 HZ | DIM L* (IN) | DIM W* (IN) | DIM H* (IN) | IMPELLER SIZE | WEAR KIT ITEM # | WET END ITEM # |
|-----------------|----------|----------|-------|-------------|-------------|------------|------------|-------------|-------------|-------------|---------------|-----------------|----------------|
| 9610001984 | 0.5 | 0.5 | 1 | 115 | 115 | 4.6 | 5.6 | 15.7 | 7.5 | 8.4 | 3.38 | 4471004034 | 4471004041 |
| 9610001985 | 0.5 | 0.5 | 1 | 230 | 230 | 2.2 | 2.7 | 15.7 | 7.5 | 8.4 | 3.38 | 4471004034 | 4471004041 |
| 9610001986 | 0.5 | 0.5 | 3 | 230/460 | 230/460 | 1.6/0.8 | 1.7/0.9 | 15.7 | 7.5 | 8.3 | 3.38 | 4471004034 | 4471004041 |

*"L" and "W" values may be +/- 1/4"

P100M MAGNET-DRIVE CENTRIFUGAL PUMPS



TECHNICAL DATA



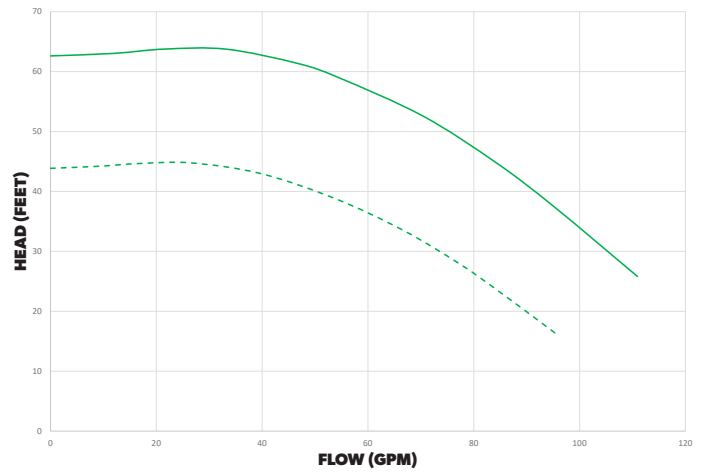
| SELLABLE ITEM # | HP 60 HZ | HP 50 HZ | PHASE | VOLTS 60 HZ | VOLTS 50 HZ | AMPS 60 HZ | AMPS 50 HZ | DIM L* (IN) | DIM W* (IN) | DIM H* (IN) | IMPELLER SIZE | WEAR KIT ITEM # | WET END ITEM # |
|-----------------|----------|----------|-------|-------------|-------------|------------|------------|-------------|-------------|-------------|---------------|-----------------|----------------|
| 9610001987 | 1.0 | 1.0 | 1 | 115/230 | 115/230 | 8.5/4.3 | 10.5/5.3 | 17.2 | 7.5 | 8.4 | 3.75 | 4471004034 | 4471004043 |
| 9610001988 | 1.0 | 1.0 | 3 | 230/460 | 230/460 | 2.7/1.4 | 2.9/1.5 | 17.0 | 7.5 | 8.3 | 3.75 | 4471004034 | 4471004043 |
| 9610001989 | 1.5 | 1.5 | 1 | 115/230 | 115/230 | 12.5/6.3 | 14.0/7.0 | 17.8 | 7.5 | 9.9 | 4.00 | 4471004034 | 4471004044 |
| 9610001990 | 1.5 | 1.5 | 3 | 230/460 | 230/460 | 4.0/2.0 | 4.3/2.2 | 16.6 | 7.5 | 8.7 | 4.00 | 4471004034 | 4471004044 |

*"L" and "W" values may be +/- 1/4"

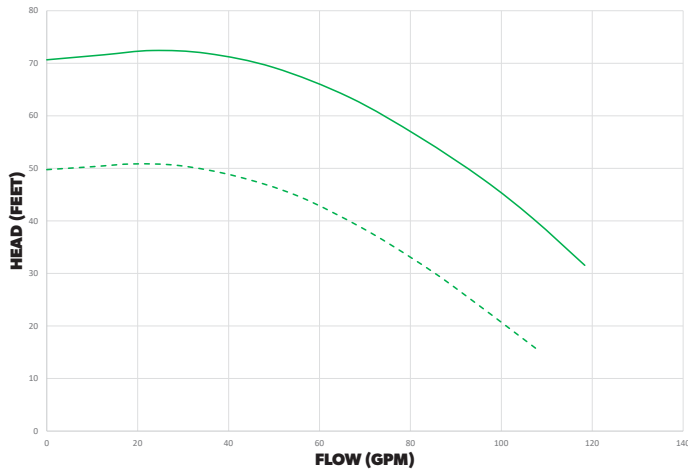
P137M MAGNET-DRIVE CENTRIFUGAL PUMPS



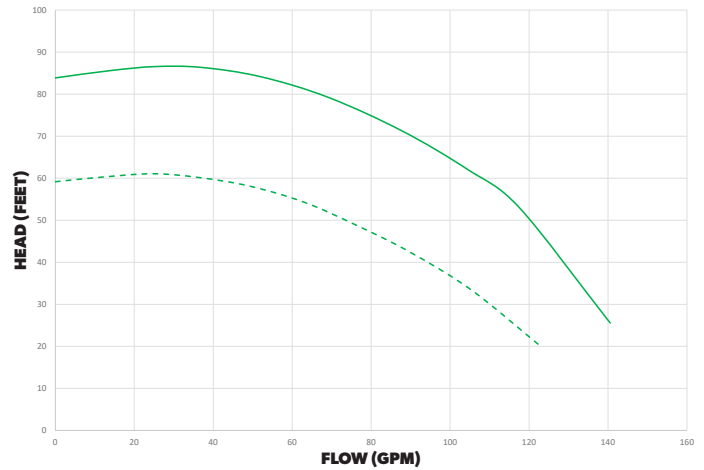
TECHNICAL DATA



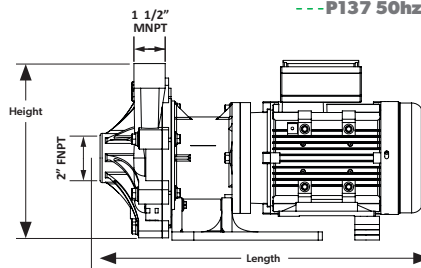
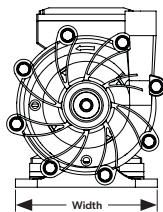
--- P137 50hz 4.38" — P137 60hz 4.38"



--- P137 50hz 4.63" — P137 60hz 4.63"



--- P137 50hz 4.88 — P137 60hz 4.88



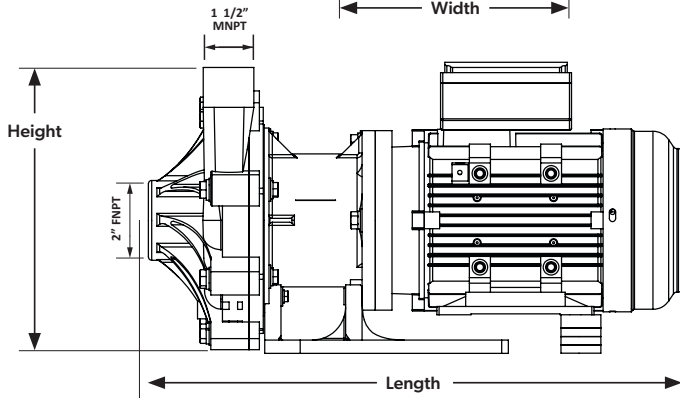
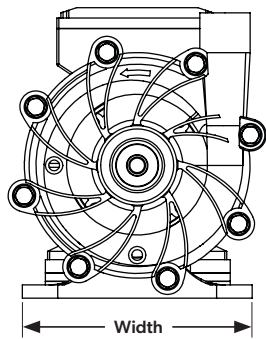
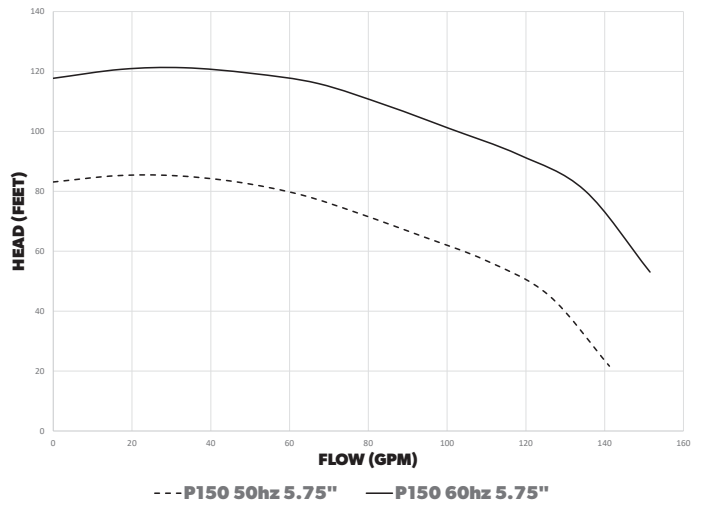
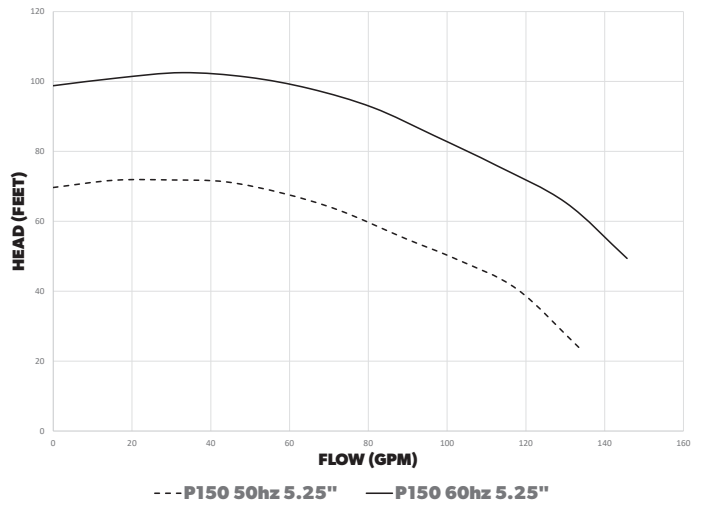
| SELLABLE ITEM # | HP 60 HZ | HP 50 HZ | PHASE | VOLTS 60 HZ | VOLTS 50 HZ | AMPS 60 HZ | AMPS 50 HZ | DIM L* (IN) | DIM W* (IN) | DIM H* (IN) | IMPELLER SIZE | WEAR KIT ITEM # | WET END ITEM # |
|-----------------|----------|----------|-------|-------------|-------------|------------|------------|-------------|-------------|-------------|---------------|-----------------|----------------|
| 9610001991 | 1.5 | 1.5 | 1 | 115/230 | 115/230 | 12.5/6.3 | 14.0/7.0 | 21.2 | 9.7 | 11.0 | 4.38 | 4471004035 | 4471004045 |
| 9610001992 | 1.5 | 1.5 | 3 | 230/460 | 230/460 | 4.0/2.0 | 4.3/2.2 | 18.2 | 9.7 | 10.8 | 4.38 | 4471004035 | 4471004045 |
| 9610001993 | 2 | 2 | 1 | 115/230 | 115/230 | 16.5/8.3 | 18.0/9.0 | 20.1 | 9.7 | 10.9 | 4.63 | 4471004035 | 4471004046 |
| 9610001994 | 2 | 2 | 3 | 230/460 | 230/460 | 5.3/2.7 | 5.9/3.0 | 20.1 | 9.7 | 10.8 | 4.63 | 4471004035 | 4471004046 |
| 9610001996 | 3 | 3 | 3 | 380 | 230/460 | 7.2/3.6 | 4.5 | 19.5 | 10.9 | 10.8 | 4.88 | 4471004035 | 4471004047 |

*"L" and "W" values may be +/- 1/4"

P150M MAGNET-DRIVE CENTRIFUGAL PUMPS



TECHNICAL DATA



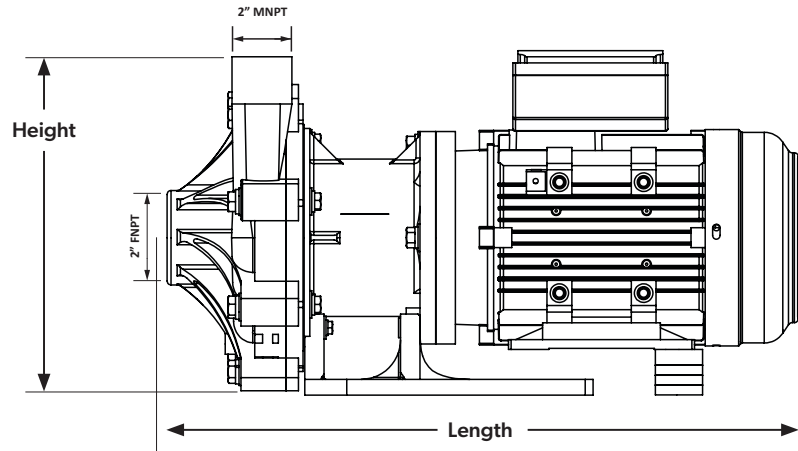
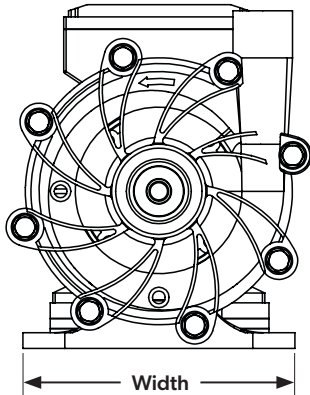
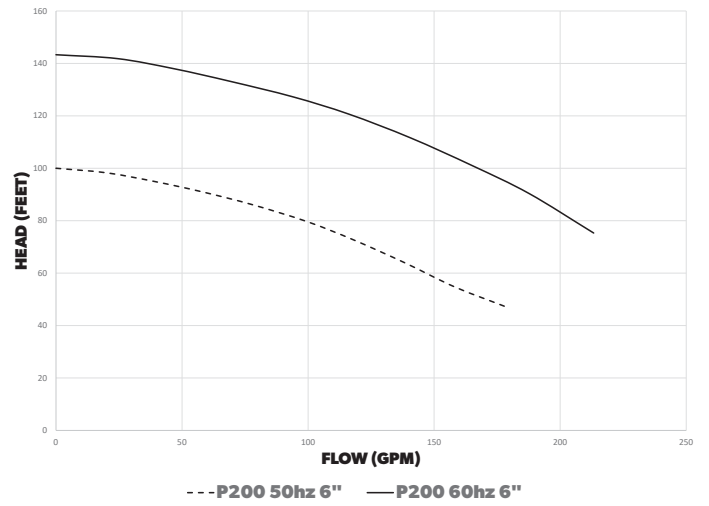
| SELLABLE ITEM # | HP 60 HZ | HP 50 HZ | PHASE | VOLTS 60 HZ | VOLTS 50 HZ | AMPS 60 HZ | AMPS 50 HZ | DIM L* (IN) | DIM W* (IN) | DIM H* (IN) | IMPELLER SIZE | WEAR KIT ITEM # | WET END ITEM # |
|-----------------|----------|----------|-------|-------------|-------------|------------|------------|-------------|-------------|-------------|---------------|-----------------|----------------|
| 9610001997 | 5 | 5 | 3 | 230/460 | 380 | 12.2/6.1 | 7.5 | 23.0 | 12.4 | 10.8 | 5.25 | 4471004035 | 4471004048 |
| 9610001998 | 5 | 5 | 3 | 230/460 | 380 | 12.2/6.1 | 7.5 | 23.0 | 12.4 | 10.8 | 5.75 | 4471004035 | 4471004049 |

*"L" and "W" values may be +/- 1/4"

P200M MAGNET-DRIVE CENTRIFUGAL PUMPS



TECHNICAL DATA



| SELLABLE ITEM # | HP 60 HZ | HP 50 HZ | PHASE | VOLTS 60 HZ | VOLTS 50 HZ | AMPS 60 HZ | AMPS 50 HZ | DIM L* (IN) | DIM W* (IN) | DIM H* (IN) | IMPELLER SIZE | WEAR KIT ITEM # | WET END ITEM # |
|-----------------|----------|----------|-------|-------------|-------------|------------|------------|-------------|-------------|-------------|---------------|-----------------|----------------|
| 9610001999 | 7.5 | 7.5 | 3 | 230/460 | 380 | 17.8/8.9 | 11 | 27.5 | 14.1 | 13.4 | 6 | 4471004036 | 4471004050 |

*"L" and "W" values may be +/- 1/4"