

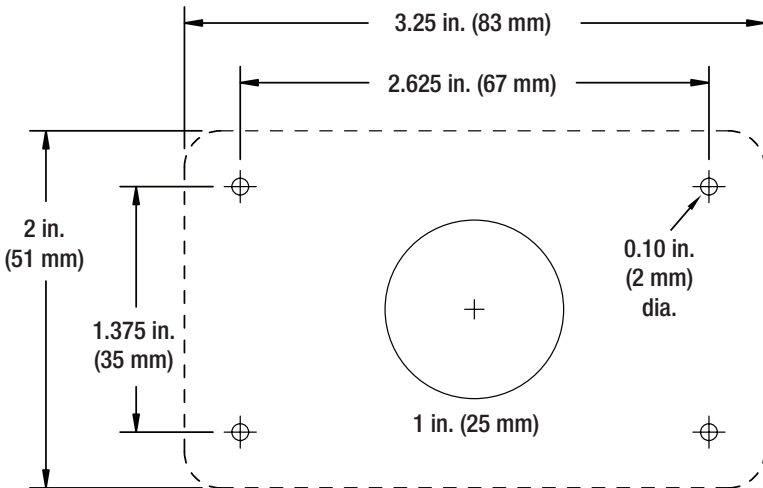
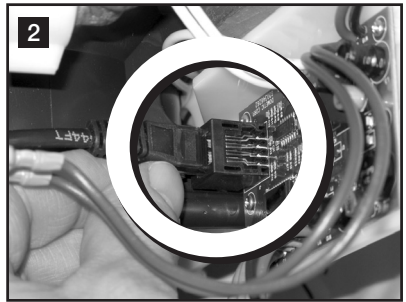
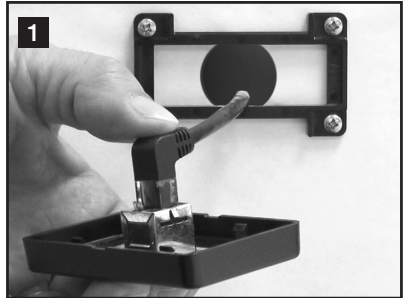
Touchpad Installation for VacuFlush® and MasterFlush® electronic-flush toilets



Caution!

If replacing a different style electronic flush switch, **WITH ELECTRICAL POWER OFF**, be sure to disconnect wiring from old switch before installing new touchpad.

1. Plan touchpad location so wiring cable can reach toilet base circuit board. Be sure cable cannot get wet.
2. Using template (below), mark center access and fastener holes. Drill 1 in. (25 mm) center access hole, then fasten touchpad bracket to wall (fig. 1).
3. Route touchpad cable through wall access hole to floor access hole at toilet base.
4. Attach cable to back of touchpad, then snap the touchpad onto the bracket (fig. 1).
5. **WITH ELECTRICAL POWER OFF**, connect wiring cable from the touchpad to the RJ45 connector on the circuit board of the toilet base (fig. 2).



2 in. (51 mm) clearance
behind wall surface required