

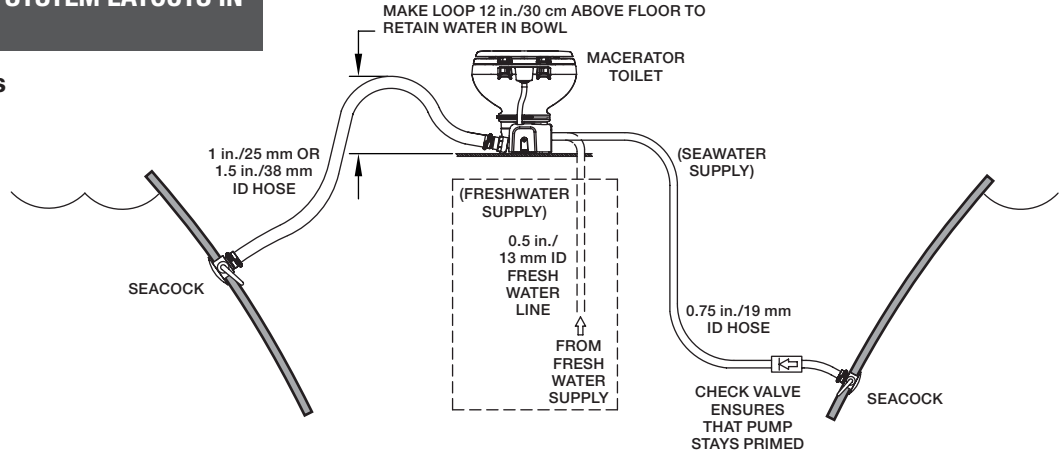
SPECIAL APPENDIX - SUPERCEDES TOILET SYSTEM LAYOUTS IN SECTION 5 OF INSTALLATION MANUAL

5.1 Above water line system layouts

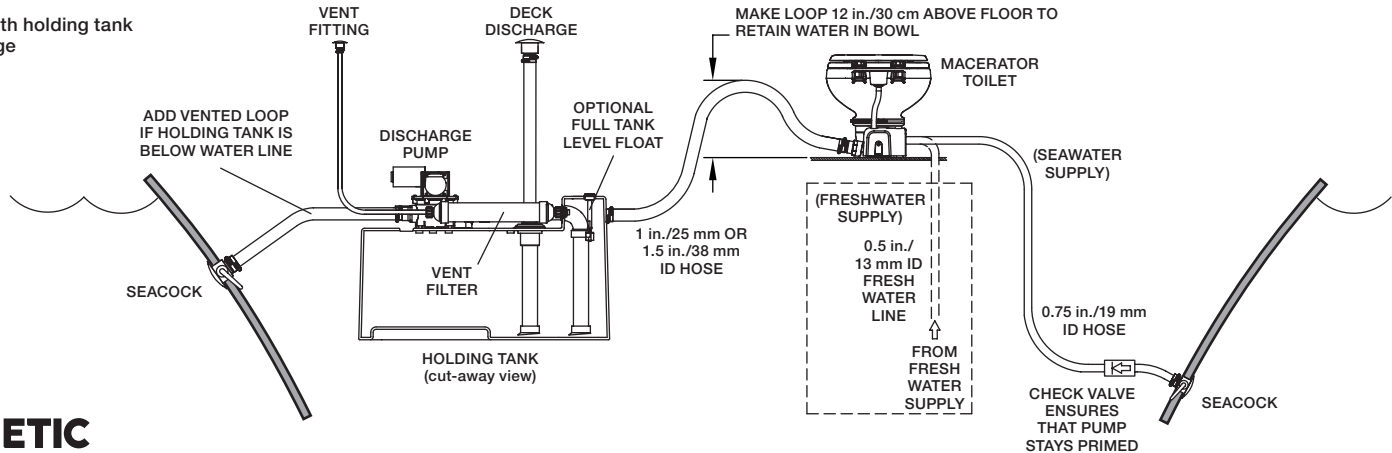
5 Toilet with direct overboard discharge

IMPORTANT:

1. TOILET BOWL RIM MUST BE MINIMUM 8" (20 cm) ABOVE HIGHEST POSSIBLE WATER LINE AT FULL HEEL.
2. VENTED LOOPS MUST BE MINIMUM 8" (20 cm) ABOVE HIGHEST POSSIBLE WATER LINE AT FULL HEEL. FOR OPTIMUM TOILET OPERATION, INSTALL VENTED LOOP AS CLOSE TO 8" (20 cm) HEIGHT AS POSSIBLE.
3. PLACE VENTED LOOPS NEAR CENTER OF BOAT TO MINIMIZE FLUCTUATION OF WATER LINE HEIGHT.
4. MAXIMUM SEAWATER PUMP LIFT IS 4 FT. (1.2 m).
5. MAXIMUM DISCHARGE HEAD IS 4 FT. (1.2 m).



6 Toilet with holding tank discharge

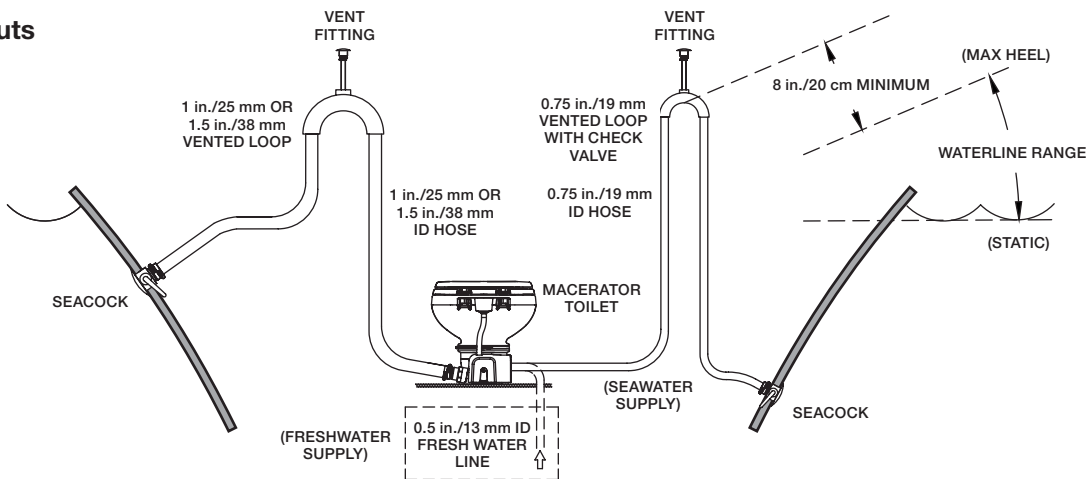


5.2 Below water line system layouts

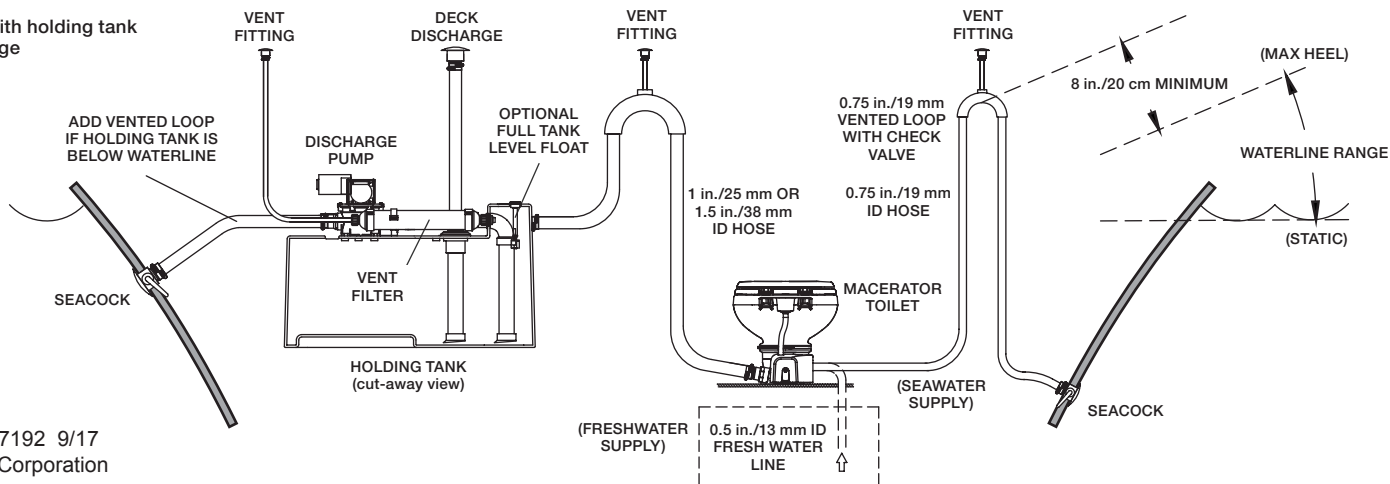
7 Toilet with direct overboard discharge

IMPORTANT:

- 0.75" VENTED LOOP MUST USE EITHER A DUCKBILL VALVE OR ELECTRIC NORMALLY-OPEN SOLENOID VALVE.
- VENTED LOOPS MUST BE MINIMUM 8" (20 cm) ABOVE HIGHEST POSSIBLE WATER LINE AT FULL HEEL. FOR OPTIMUM TOILET OPERATION, INSTALL VENTED LOOP AS CLOSE TO 8" (20 cm) HEIGHT AS POSSIBLE.
- VENTED LOOPS SHOULD NOT EXCEED MAXIMUM 24" (50 cm) ABOVE WATER LINE.
- PLACE VENTED LOOPS NEAR CENTER OF BOAT TO MINIMIZE FLUCTUATION OF WATER LINE HEIGHT.
- MAXIMUM SEAWATER PUMP LIFT IS 4 FT. (1.2 m).
- MAXIMUM DISCHARGE HEAD IS 4 FT. (1.2 m).



8 Toilet with holding tank discharge



REVISION A

Form No. 600347192 9/17

©2017 Dometic Corporation