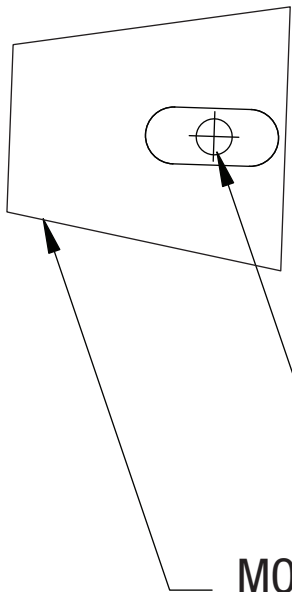
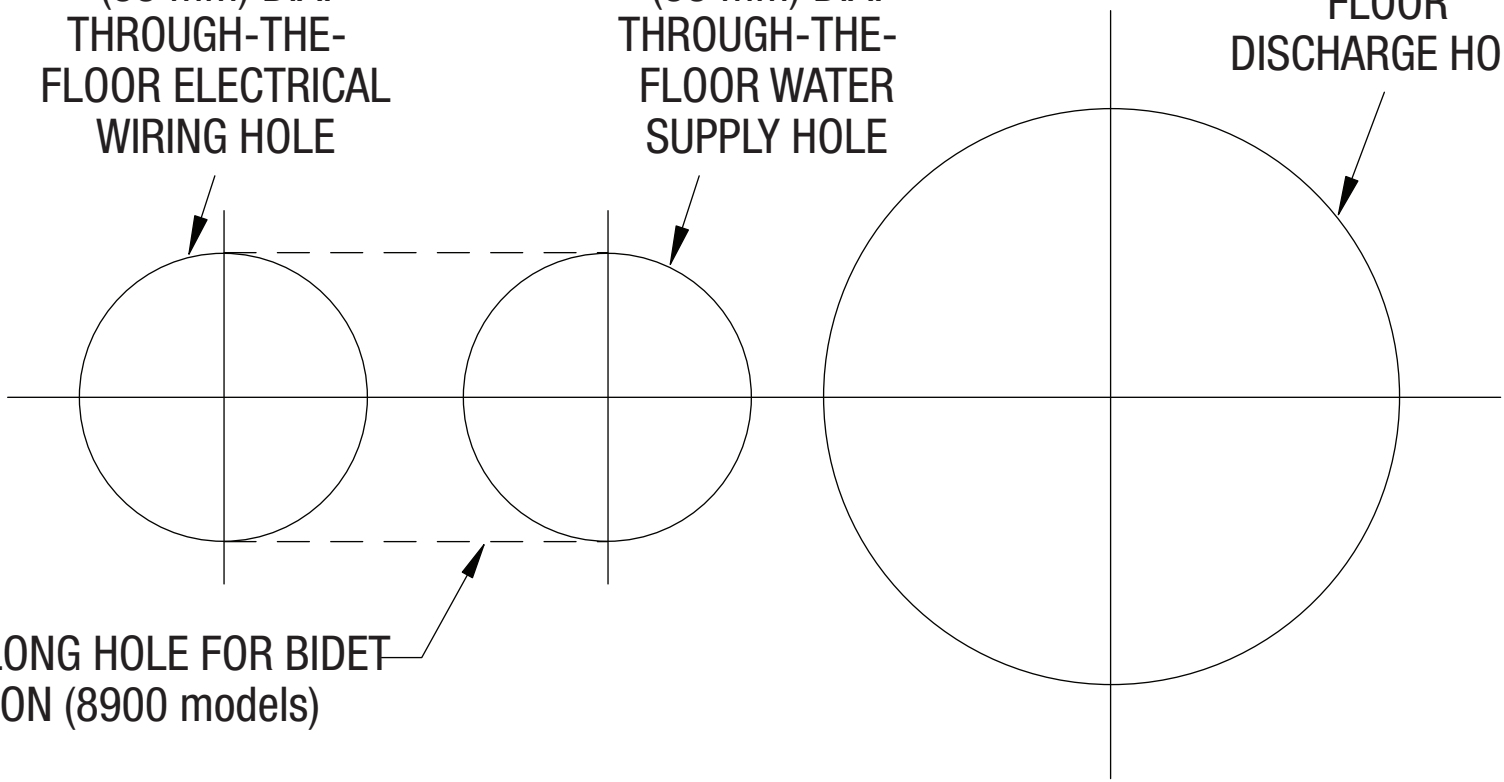


TOWARD
WALL

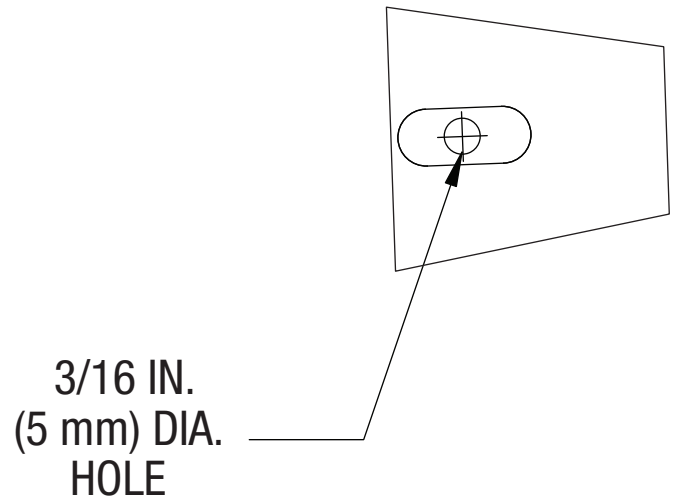
1-1/2 IN.
(38 mm) DIA.
THROUGH-THE-
FLOOR ELECTRICAL
WIRING HOLE

1-1/2 IN.
(38 mm) DIA.
THROUGH-THE-
FLOOR WATER
SUPPLY HOLE

3 IN. (76 mm) DIA.
THROUGH-THE-
FLOOR
DISCHARGE HOLE



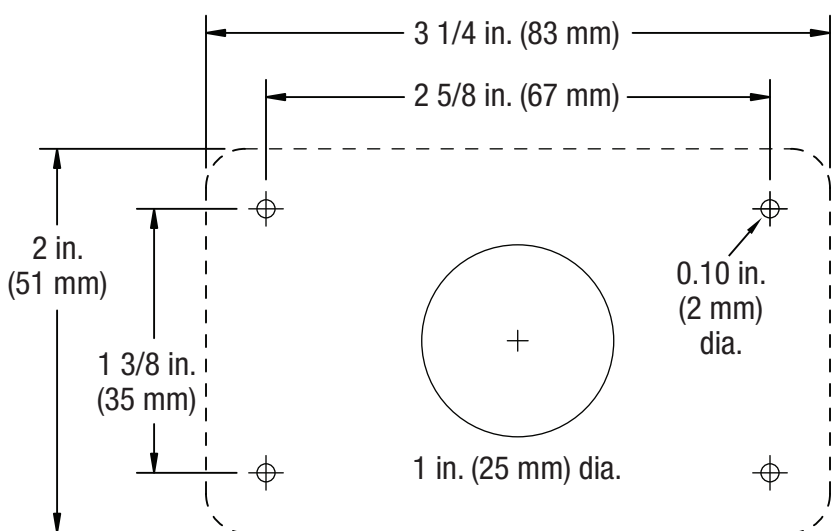
MOUNTING BRACKET
OUTLINE -
MARK FOUR CORNERS
WITH CENTER PUNCH



FRONT EDGE
OF TOILET

8900/8100 SERIES LOW-PROFILE TOILET FLOOR MOUNTING TEMPLATE

Cut along dotted line. Place this edge even with mark at front of toilet.



Dometic MasterFlush Wall Switch MOUNTING TEMPLATE (8900 models)

2 1/2 in. (64 mm) clearance
behind wall surface is required.

REVISION A
Form No. 600346119 8/17
©2017 Dometic Corporation