

CLIMATE

DOMETIC EDS ENGINE DRIVE AIR-CONDITIONING SYSTEM

Dometic introduces it's new Engine Drive Climate Solution for commercial and inboard boats.
A fully engineered cooling and heating system that is plug and play for easy installation.

24VDC OPERATION
NO GENERATOR NEEDED

MECHANICAL CONTROLS
EASY TO OPERATE

TITANIUM CONDENSER
ROBUST CONSTRUCTION



24 VDC



10,000 -
24,000 BTU'S

Mobile living made easy.

 **DOMETIC**

ENGINE DRIVE CLIMATE SOLUTION

The Dometic's 24VDC Engine Drive Climate System provides cooling and heating without the need for shore power or generator. The engine mounted air-conditioning compressor allows for cooling while the engine is running. The systems fan coil evaporator unit can be equipped with an optional heater core and water valve to use the engines hot waste water to be able to provide heat. The system uses a DC voltage seawater pump to pump seawater through the robust water cooled titanium condenser coil to remove heat. The systems final major component is the mechanical control display which allows for simplistic and intuitive operation.

The system was designed to make the installation simplistic and plug and play. The electrical connections between the compressor, evaporator, and control display are plugged connections. This simplifies the installation and provides piece of mind for the installer. The mechanical display comes with a lighted compressor switch to let the end user know when their compressor is on or off. Dometic provides an optional DC seawater pump relay to be able to switch the sea water pump on and off with the 2 knob control panel.

The Dometic EDC Solution, has been engineered to be able to provide cooling and heating within various ranges of engine RPM's. The Dometic engineering team spent months in the lab dialing in a system so that we can provide adequate cooling at engine idle speed and not over load the system when running at full speed. The team designed a unique testing fixture to be able test and validate BTU's on a complete system through the engines RPM range. This testing fixture validated the system in the lab and allowed us to determine pulley sizes for the engine manufactures, to be able to finalize the exact system running performance in the field. This allows the Dometic sales team to layout and specify and a complete systems based on a customer specifications, with confidence that everything will work as designed once installed in the field.



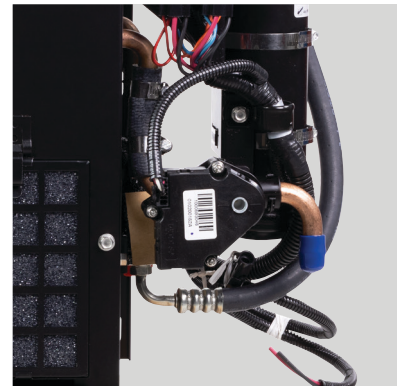
Flexible Linesets

Flexible linesets for easy hose routing through the vessel



Titanium Condenser Coil

Robust Titanium water cooled condenser resistant to seawater erosion



Engine Waste Water Heat

Optional evaporator with heater core and water valve to provide vessel heating



Mechanical Display

Simplistic and intuitive display with lighted compressor switch to verify compressor operation



24VDC Compressor

Belt driven 24VDC compressor that provides 10,000 to 24,000 BTU's.



24VDC Fancoil Evaporator

Vertical or Horizontal 24VDC evaporator with plug and play electrical connections

HIGH EFFICIENCY COOLING IN MOTION



The Dometic Engine Drive Climate system is designed specific to each users application. Whether you spend all your time at low speed or if you are on the go at high speeds we can dial in a system specifically for every need.

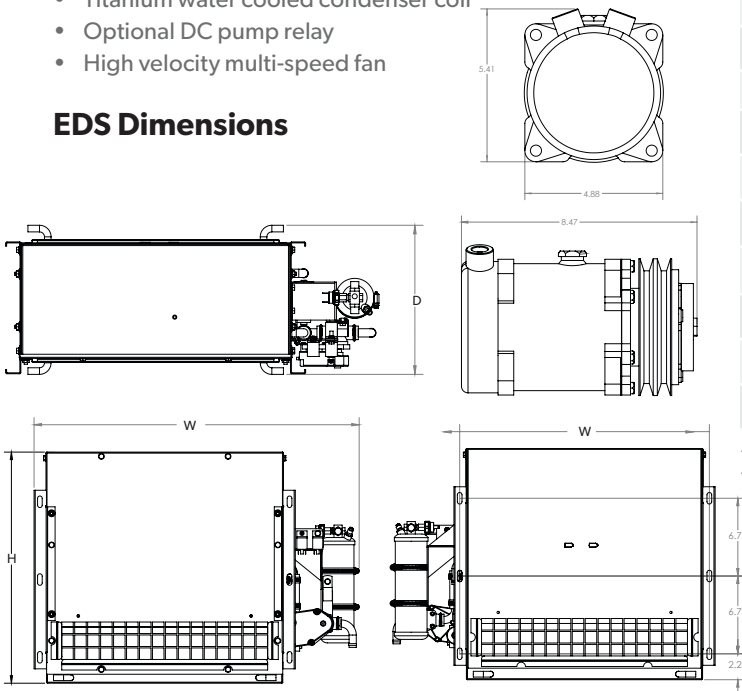
The EDC system provides cooling and dehumidification for those hot and muggy days, along with heating for those cold mornings. A simplistic system that can take care of all climate situations.



Key Features & Benefits

- BTU Cooling Range 10,000 to 24,000
- Optional engine waste water heating
- Available in 24VDC
- Belt Driven compressor
- Plug and play wire connection
- One and two knob control display
- Lighted on/off compressor switch
- Flexible refrigerant line set
- Titanium water cooled condenser coil
- Optional DC pump relay
- High velocity multi-speed fan

EDS Dimensions



MODEL	EDEV M COOL	ED COMP
Capacity (BTU)	10,000-24,000	10,000-24,000
Voltage (V)	24VDC	24VDC
FLA/RLA Cool or Heat Mode*	21	1.42
Min. Circuit Breaker 24VDC (A)	24	Combined with EDVM
Max. Circuit Breaker 24VDC (A)	30	Combined with EDVM
Refrigerant Type	134a	134a
Height (in/mm)	20.06/509.5	5.41/137.4
Width (in./mm)	28.22/716.8	4.88/123.9
Depth (in./mm)	11.27/286.3	8.47/215.1
Gross Weight (lbs/kg)	69/31.3	17.6/8
Net Weight (lbs/kg)	66/30	16.1/7.3

*In cool mode at 85F water and seawater pump not included.

**Duct size may change based on BTU load requirements.

Mounting Hole Spacing

Mounting Specifications	
Quantity	Description
6	.406 x 1.000" OPEN SLOT

NO GENERATOR NEEDED

ENGINE DRIVE

