

ROMANBLIND Manual

Order Form and Product Guide

Customer _____
 Address _____

Tel _____
 Mobile _____
 Email _____

Order _____ Quote _____ Date _____
 Project Name _____
 Project Location _____

Disclaimer: **Is the blind on this order being installed where children under 42 months old are likely to be allowed ?** Yes No Signed _____ Print _____

Please note: we can only supply blinds if the above question has been answered No.

Window ID	Width X (mm)	Faux Blind	Pleat Type	Light Transmission ²	Interlined ³	Contrast Fabric ⁵	Blind Finishing Options ⁷	Restraint Options	Head Rail Fixing
Window Location	Drop Y (mm)	Yes No With Profile Head Rail	Standard Soft Standard Hard Gradient Soft Gradient Hard Hobble	Sheer Non blackout Blackout Blackout-Plus	Yes No	Type: None Centre Sides Top Bottom Top & Bottom Top, Bottom & Side Bottom & Sides Top & Sides Centre & Sides	Stitching Machined Hand stitched	Free Hanging ⁸ Guide wire Chrome Dome Nickel Dome Chrome Flush Black Flush Nickel Flush	Top Face
	Installation Height	Yes No	See page 3	Fire Retardant	Lining	Dometic Fabric code	Edge Finish Edge to edge Wrap-around	Side Track Surface Recessed	
Recess Or Blind Dimensions Blind Recess	Incline		Face Fabric	None BS IMO	Default From Dometic Collection	Or custom Fabric ⁶		Side Track colour White Black Beige Custom Ral Ref _____	
			Dometic Fabric Code		Dometic Fabric code	Contrast Width			
			Custom ¹		Custom ⁴				

1 Control Options

Position	Left	Right
Ball Chain ⁸ OR Cord Loop Colour: Black Grey Fawn		
Specify Cord/Chain Tidy (Metal with rubber insert) Chrome – White insert Black insert Nickel – White insert Black insert		

2 Head rail Colour

Default
Or Specify
Standard Colour ⁹ _____
Or Custom Colour (if applicable)
Description _____
RAL Ref No (If known) _____

3. Custom and contrast fabric raw material details

Fabric	Width	Pattern Repeat	Weight gm ²	Code No./Name	Supplier Name	Cost per l/metre	Supplied By
a. Face							Customer Dometic
b. Lining							Customer Dometic
c. Contrast							Customer Dometic

All samples provided where necessary

1. Please fill in row A of the custom and contrast table

2. Hobble Pleat can only made with either 'Non Blackout' or 'Blackout' light transmissions.

3. Only for Non blackout and Blackout.

4. Please fill in table 3, row B of the custom and contrast table

5. Hobble Pleat only available in 'Top', 'Sides', 'Centre' and 'Centre & sides'

6. Please fill in section table 3, row C of the custom and contrast table

7. Hobble Pleat or blinds with "sheer" light transmission can only be machine stitched and have "Edge to Edge" finish.

'Wrap Around' is used by default when both 'interlined' & 'Hand Stitched' options have been selected.

8. Ball chain is only available with 'Free Hanging' restraint

9. See Table on page 5 for Default and Custom colour options.

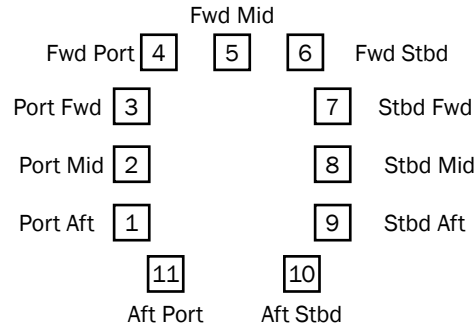
Quantity	
----------	--

Dometic use only	Customised
------------------	------------



Window ID and Location

To avoid confusion, Dometic work in order of location and reference number for orders. For residential applications itemise blinds starting from the left of the room giving an ID and a description of the location. For marine vessels please use the plan shown here to describe the location. A photograph of the window or recess submitted with order can help to ensure correct design and operation of the blind.



Dimension Limits

Min X		Max X	Min Y	Max Y
Free Hanging	Guide Wire			
270 mm [10 5/8"]		3000mm [118 1/8"]	200mm [7 7/8"]	3000mm [118 1/8"]

Clearance and Tolerances

Please see table below for clearance and tolerances

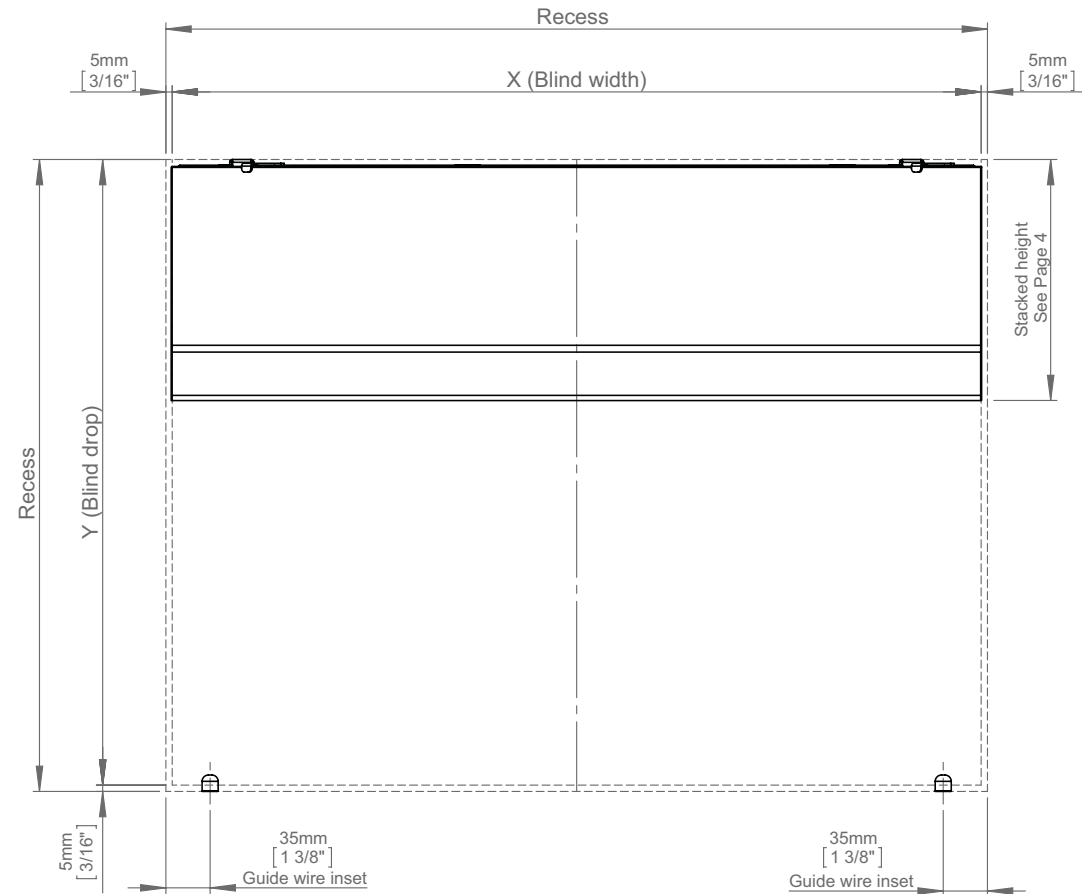
Marine, Transrail or Transroad

Size option specified	Non Blackout		Blackout	
	Width (X)	Drop (Y)	Width (X)	Drop (Y)
Recess	-10mm ±3mm [3/8" ±1/8"]	-5mm ±3mm [-3/16" ±1/8"]	-5mm ±3mm [-3/16" ±1/8"]	± 3mm [±1/8"]
Blind	± 3mm [±1/8"]	± 3mm [±1/8"]	± 3mm [±1/8"]	

Bold Italic = Manufacturing tolerance (e.g. Recess Non Blackout Width (x) = minus 7mm [1/4 "] to minus 13mm [1/2"])

Residential & Commercial

Size option specified	Non Blackout & Blackout	
	Width (X)	Drop (Y)
Recess	-10mm ±3mm [3/8" ±1/8"]	-5mm ±3mm [-3/16" ±1/8"]
Blind	± 3mm [±1/8"]	± 3mm [±1/8"]



Non-Blackout with guide wires for Marine, Transrail / Transroad shown.

Installation height

Required for cord operated blinds. EN13120 Standards demand the distance from the floor to the bottom of the pull cord(s) shall be at least 1500mm [59 1/16"]

Incline

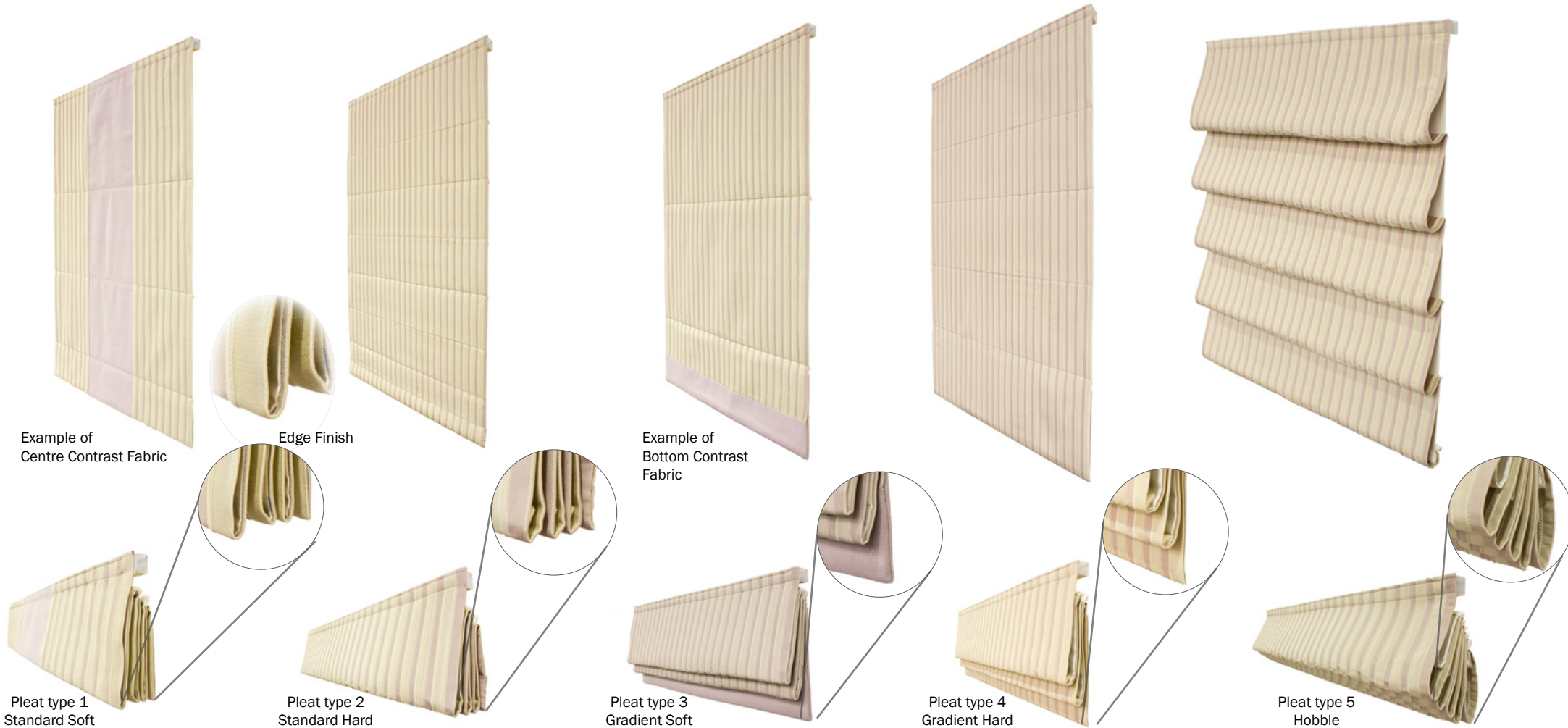
Please advise if blinds are fitted on an incline and provide angle if possible.

Faux Blind

This is a blind that is permanently in the stowed position and is purely for decoration, and can be provided with or without a profile Head Rail.

Pleat Types

- 1. Standard pleat** - Panels are of similar depth and are level when the blind is raised. Panels are approximately 150 to 200mm [6" to 8"] deep depending on the overall drop and stacking height required
- 2. Gradient pleat** - Panels increase in depth from the bottom to the top of the blind. In the stowed position the bottom of the pleats are staggered (normal spacing between the folds is 30mm [1 3/8"])
- 3. Soft pleat** - Cords are connected to rods to raise the blind. The fabric between the rods form soft pleats when stowed.
- 4. Hard pleat** - Cords are connected to rods to raise the blind but also have intermediate rods to form hard pleats when stowed, this creates another stitch line in the fabric.
- 5. Hobble Pleat** - Comprises of two layers of fabric, a flat back lining panel and a front fabric panel which is 90mm longer than the lining, creating permanent pleats when completely deployed, and a soft gradient effect when the blind is stowed. This option is only available as soft pleat, machine stitched with a Edge to Edge finish and can be used with any type of lining and head rail. This pleat is best suited when the blind is fitted in a recess so that the separate panels are not seen. Hobble Pleat can only made with either 'Non Blackout' or 'Blackout' light transmissions, and is restricted to the following Contrast Fabric options; 'Top', 'Sides', 'Centre' and 'Centre & sides'.



Blind Stacking

When measuring for ROMANBLINDS, the stack height (the depth of the blind when fully stowed) needs to be considered. See the table below for guidance. We can increase or decrease stack height on standard and gradient pleat by adding or removing pleats (to a maximum of two). However this will affect the depth of the blind in the recess. Changing the stack height is a customised option, please contact Dometic for details.

Metric

Drop (mm)	Stack mm	Pleats
Standard Pleat		
200-500	138-208	1
501-750	151-201	2
785-1227	169-233	3
1228-1754	199-258	4
1755-2090	227-258	5
2100-2410	234-258	6
2420-3000	238-277	7

Gradient Pleat		
200-529	148-238	1
530-1010	198-294	2
1020-1410	264-320	3
1420-1860	301-350	4
1870-2370	337-383	5
2380-3000	374-422	6

Hobble Pleat		
200-474	151-243	2
475-634	169-174	3
635-794	172-176	4
795-948	176-180	5
950-1109	180-259	6
1110-1269	184-263	7
1270-1429	188-267	8
1430-1589	192-271	9
1590-1749	196-275	10
1750-1909	200-279	11
1910-2069	204-283	12
2070-2229	208-287	13
2230-2389	212-291	14
2390-2549	216-295	15
2550-2709	220-299	16
2710-2869	224-303	17
2870-3000	228-293	18

Face & Contrast Fabric

Refer to the online fabric collection for available fabrics and fill in section on the order form, to specify a custom fabric, fill in the custom table for contrast fabric. Please note that a sample of at least a one square metre will be required to test.

Fabric is attached to the head rail using a Velcro strip enabling easy removal for cleaning. Fabrics in the Dometic Fabric Collection are dry cleaned only.

Imperial

Drop (Imp)	Stack (Imp)	Pleats
Standard Pleat		
7 ⁷ / ₈ - 19 ¹¹ / ₁₆	5 ⁷ / ₁₆ - 8 ³ / ₁₆	1
19 ³ / ₄ - 29 ¹ / ₂	5 ⁷ / ₁₆ - 7 ¹ / ₅ ⁵ / ₁₆	2
30 ⁷ / ₈ - 48 ⁵ / ₁₆	6 ⁵ / ₈ - 9 ³ / ₁₆	3
48 ³ / ₈ - 69 ¹ / ₁₆	7 ¹³ / ₁₆ - 10 ³ / ₁₆	4
69 ¹ / ₈ - 82 ⁵ / ₁₆	8 ¹⁵ / ₁₆ - 10 ³ / ₁₆	5
82 ¹¹ / ₁₆ - 94 ⁷ / ₈	9 ³ / ₁₆ - 10 ³ / ₁₆	6
94 ¹ / ₄ - 118 ¹ / ₈	9 ³ / ₈ - 10 ⁷ / ₈	7

Gradient Pleat		
7 ⁷ / ₈ - 20 ¹³ / ₁₆	5 ¹ / ₃ ¹⁶ / ₈ - 9 ³ / ₈	1
20 ⁷ / ₈ - 39 ³ / ₄	7 ¹³ / ₁₆ - 11 ⁹ / ₁₆	2
40 ⁷ / ₈ - 55 ¹ / ₂	10 ³ / ₈ - 12 ⁵ / ₈	3
55 ⁷ / ₈ - 73 ¹ / ₄	11 ⁷ / ₈ - 13 ³ / ₄	4
73 ⁵ / ₈ - 93 ⁵ / ₁₆	13 ¹ / ₄ - 15 ¹ / ₁₆	5
93 ¹¹ / ₁₆ - 118 ¹ / ₈	14 ³ / ₄ - 16 ⁵ / ₈	6

Hobble Pleat		
7 ⁷ / ₈ - 18 ¹¹ / ₁₆	5 ¹⁵ / ₁₆ - 9 ⁹ / ₁₆	2
18 ¹¹ / ₁₆ - 24 ¹⁵ / ₁₆	6 ⁵ / ₈ - 6 ⁷ / ₈	3
25 - 31 ¹ / ₄	6 ³ / ₄ - 6 ¹⁵ / ₁₆	4
31 ⁵ / ₁₆ - 37 ⁵ / ₁₆	6 ¹⁵ / ₁₆ - 7 ¹ / ₁₆	5
37 ³ / ₈ - 43 ¹¹ / ₁₆	7 ¹ / ₁₆ - 10 ³ / ₁₆	6
43 ¹¹ / ₁₆ - 49 ¹⁵ / ₁₆	7 ¹ / ₄ - 10 ³ / ₈	7
50 - 56 ¹ / ₄	7 ³ / ₈ - 10 ¹ / ₂	8
56 ⁵ / ₁₆ - 62 ⁹ / ₁₆	7 ⁹ / ₁₆ - 10 ¹¹ / ₁₆	9
62 ⁵ / ₈ - 68 ⁷ / ₈	7 ¹¹ / ₁₆ - 10 ¹³ / ₁₆	10
68 ⁷ / ₈ - 75 ³ / ₁₆	7 ⁷ / ₈ - 11	11
75 ³ / ₁₆ - 81 ⁷ / ₁₆	8 ¹ / ₁₆ - 11 ¹ / ₈	12
81 ¹ / ₂ - 87 ³ / ₄	8 ³ / ₁₆ - 10 ¹⁵ / ₁₆	13
87 ¹³ / ₁₆ - 94 ¹ / ₁₆	8 ³ / ₈ - 11 ⁷ / ₁₆	14
94 ¹ / ₈ - 100 ³ / ₈	8 ¹ / ₂ - 11 ⁵ / ₈	15
100 ³ / ₈ - 106 ⁵ / ₈	8 ¹¹ / ₁₆ - 11 ³ / ₄	16
106 ¹¹ / ₁₆ - 112 ¹⁵ / ₁₆	8 ¹³ / ₁₆ - 11 ¹⁵ / ₁₆	17
113 - 118 ¹ / ₈	9 - 11 ⁹ / ₁₆	18

Light Transmission

- **Sheer** Unlined, using sheer fabric will create a privacy blind with minimal light reduction, transparent rods and tape are used to help create this effect.
- **Non Blackout** Lined, using translucent materials with some light reduction.
- **Blackout** Lined, using blackout lining, with limited transmitting holes.
- **Blackout-Plus** Lined, using blackout lining plus tape to cover stitching process, creating near blackout.

Excluding sheer blinds anodised aluminium rod are used.

Fire Retardant Fabric Treatment

A selection of fabrics in the Dometic fabric collection are certified to British standards however Dometic will confirm the selected fabric can be treated to pass British Standard (BS) or International Maritime Organisation (IMO) Fire Retarding standards. Batch testing is required for IMO Certification, a 1 metre² 39²" sample of fabric is required for this and additional certification costs will apply.

Contrast Fabric

To add to the design, a contrast fabric from either the Dometic Fabric Collection or a fabric of your choice can be added to the main fabric in the following configurations:

Centre panel	Bottom panel	Bottom & Side panels
Side panels	Top & Bottom panels	Top & Side panels
Top panel	Top, Bottom & Side panels	Centre & Side panels

Minimum panel width is 20mm. If custom fabric is required, a sample for suitability will be required

Blind Finish Options

Stitching

Due to the manufacturing process of machine stitching, delicate fabrics are not suitable for this process. If "Machined" is selected, when blind is down, stitches on Velcro and rods will be visible. If "Hand Stitched" is selected, visible stitches are reduced. Dometic will advise if hand stitching is necessary. All fabrics in the Dometic fabric collection are suitable for machine stitching.

Edge Finish

If blind is fitted outside the recess and side edges are visible, we are able to wrap the face fabric round the edge to avoid seeing the lining.

Interlining

Material placed between face fabric and lining to give body to the blind, recommended for all silk fabrics but can also be used to create a more luxurious effect, however can only be used on blinds with either blackout or non blackout light transmissions.

Lining

For "Non Blackout" and "Blackout" blinds the default lining colour is Ivory unless the blind fabric is white where white lining will be used, However for "Blackout Plus" blinds, only Ivory is available. If the default is not suitable all fabrics in the Dometic Fabric Collection can be used as a lining material or you can specify a fabric of your choice on the order form. Note: a sample for suitability will be required.

Restraints

Free hanging

Blind hangs freely with no restraint, to offer restraint and prevent swinging, guide wires or side tracks can be used. Ball chain is only available on free hanging blinds.

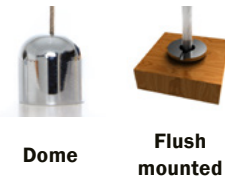
Guide wires

- All guide wires are stainless steel with a plastic coating.
- Set 30mm [$1\frac{3}{16}$ "] in from the edge and travel down behind the blind.

Guide wire Hold down options

Dome: Chrome or Brushed Nickel

Flush Mounted: Chrome, Brushed Nickel or Black



Dome

Flush mounted

Side tracks

The standard range can be painted, surface or recessed mounted and curved slightly if needed (please contact Dometic for further details). With surface fix, if there are no mouldings or fascia, the side track will be visible and with recess fixed, the gliders will be slightly visible. Our standard colours are white, black and beige. If a custom colour is required, please quote the RAL reference code in box provided. Other side track are available upon request.



Surface

Recess

Head Rail fixing options

Please state in box provided what type of fixing you are using to fit the blind.

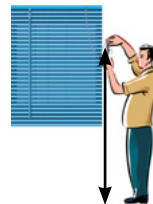
Control Options

All the control options below can be located on either side of the blind.

Child Safety Requirements



Required for cord operated blinds. EN13120 Standards demand that the distance from the floor to the bottom of the control shall be at least 1500mm [$59\frac{1}{16}$ "].



Ball Chain or Cord Loop

• The Chrome chain supplied as standard is behind the blind and when operated raises and lowers the blind with the ability to stop it in any position. A cord/chain tidy is used to secure the chain for safety.

- Lifts and drops the blind
- Can be operated from any angle
- Mechanism is geared for easy lifting
- Cord tidy provides a neat, child safety compliant solution

Controls	Head rail Type	Button Hole	Cleat	Cord/ chain tidy
Cord Loop	VB25	Mandatory	✘	Mandatory
Ball Chain	Ball Chain	✘	✘	Mandatory

• Cord/Chain Tidy Mandatory child safety device

Fix to an adjacent wall, ensures taut chain or cord Loop. Must be fitted 1500mm [$59\frac{1}{16}$ "] from the floor. Available in Chrome or Brushed Nickel with either a White or Black rubber insert.



Additional child safety

• **Cord stopper** Fitted to the lift cords on each blind.



Head rail Colour Options

Head Rails	
Head Rail Type	Standard Colour
VB25	Vanilla (Default)
	White
	Silver
	Brown
	Black
	Custom
Profile (Faux blind only)	White (Mandatory)
Ball Chain	White (Mandatory)

