

HATCHSHADE 2

Order Form and Product Guide

Customer _____
 Address _____

Tel _____
 Fax _____
 Mobile _____
 Email _____

Order _____
 Quote _____
 Project Name _____
 Project Location _____
 Date _____

Window ID	Location	Retail Size Product Code	Dimension Info (Not Needed if Retail Size Selected)					Fabric	Hardware Colour	Hold Down Options	Hold Down Colour	Fixings	Qty
			Overall width (Z)	Fabric Width (X) ²	Irregular Blinds								
				A	B	C							
							Solar White Shield From Collection Code	White Beige	Mini Grip Toggle Pegs Long Toggle Long Peg	White Beige Grey	Top Face		
							Solar White Shield From Collection Code	White Beige	Mini Grip Toggle Pegs Long Toggle Long Peg	White Beige Grey	Top Face		

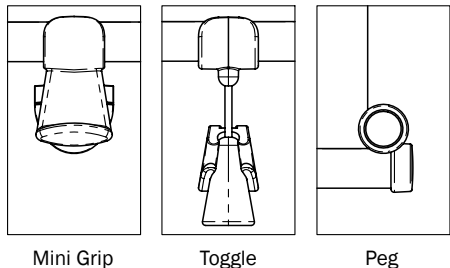
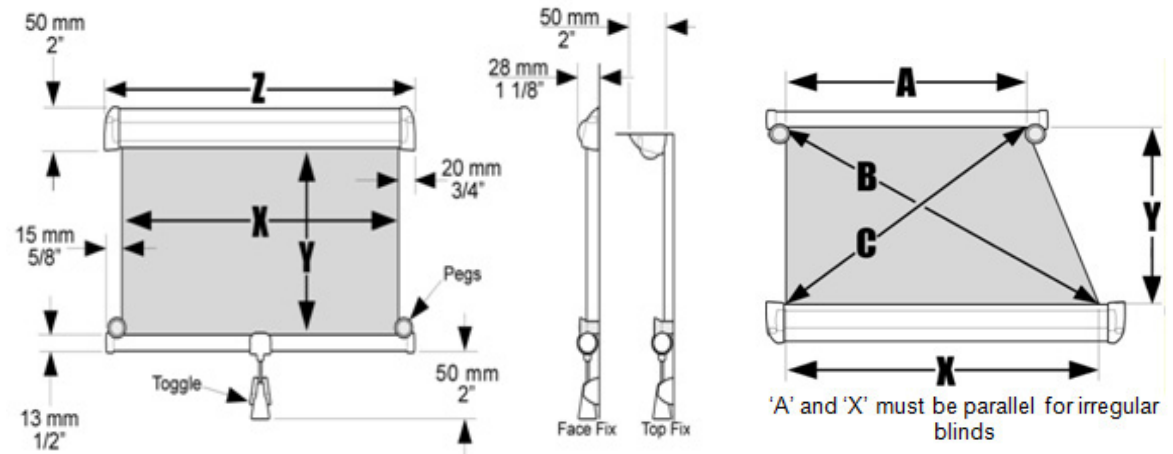
- Please provide either 'Z' or 'X' measurement.
- Width: Min 200mm (7 7/8") - Max 1400mm [55 1/8"]
- The maximum drop is dictated by the chosen fabric.
- Standard fabric is Solar Shield White, for other fabrics see fabric collection.

Pegs Supplied			
Hold Down Option	Mini Grip	Toggle	Pegs
No. of Pegs	2	2	4

5. Pegs are supplied as standard when selecting Hold down options, they can be used in addition to the option chosen or for deploying the blind halfway. If more are required, please state quantity above.

* For irregular shapes, please supply dimensions A, B and C in addition to X and Y (see drawing)

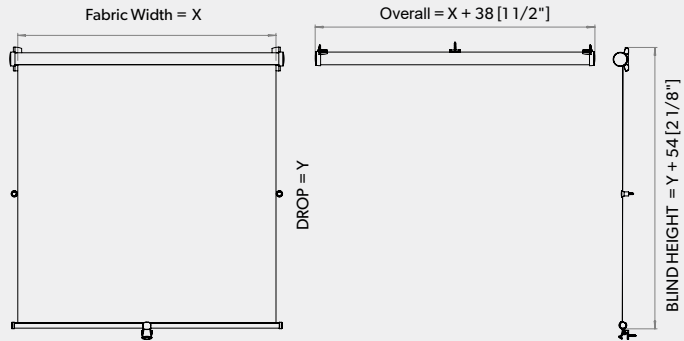
* Blinds over 800 mm (31 1/2") wide have two handles (All dimensions converted to the nearest 1/8". If sizes are critical, please use metric measurements).



Retail Sizes		
Product Code	Width (X)	Drop (Y)
HSH2-20	356mm (14')	440mm (17 ^{5/16})
HSH2-25	399mm (15 ^{11/16})	300mm (11 ^{13/16})
HSH2-30	481mm (18 ^{15/16})	400mm (15 ^{3/4})
HSH2-40	437mm (17 ^{3/16})	510mm (20 ^{1/16})
HSH2-60	556mm (21 ^{7/8})	600mm (23 ^{5/8})
HSH2-70	679mm (26 ^{3/4})	700mm (27 ^{9/16})

ORDER FORM INSTRUCTIONS

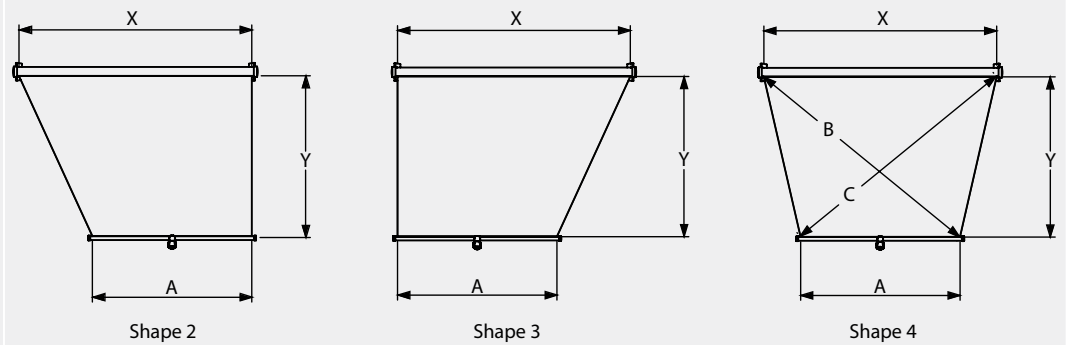
1. Width Dimension Type



2. Shape Number

- If Shape 1 (**Rectangular**) please enter **X / Y** Dimensions
- If Shape 2 please enter **X / Y / A** Dimensions
- If Shape 3 please enter **X / Y / A** Dimensions
- If Shape 4 please enter **X / Y / A / B / C** Dimensions - Dimensions **B & C** must be the same
- If Shape 5 a drawing must be supplied detailing all dimensions, measurements are not required on Order Form

3. Dimensions



4. Fabric

Default fabrics are either Solar White or Solar Beige

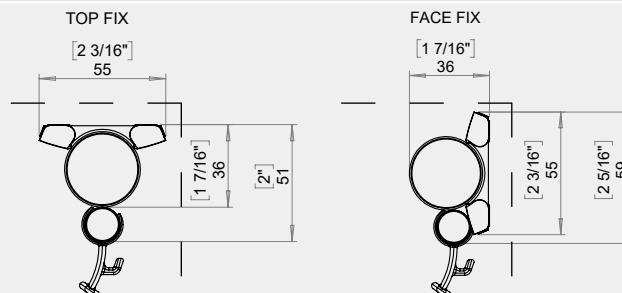
5. Hardware Colour

Choose either Beige, Grey or White hardware colour.

6. Hold Down Fixings

FIXING OPTIONS				
SHORT PEG	LONG PEG	SHORT TOGGLE	LONG TOGGLE	MINI GRIP
15 x 17	16 x 36	18 x 64	18 x 124	19 x 40

7. Fixing Position



8. Drawing Required	A Drawing must be supplied if Shape 5 is chosen, it is not required for any other Shape
9. Additional Hold Down Fixings	<ul style="list-style-type: none">• If the blind is under 800mm Drop (Y), 1x Hold Down Fixing will be supplied• If the blind is over 800mm Drop (Y), 2x Hold Down Fixings will be supplied• If Short Peg Hold Down Fixings are chosen, 4x will be supplied regardless of blind size
10. Additional Pegs	<ul style="list-style-type: none">• With all blinds regardless of Drop (Y), 2 Short Pegs will be supplied along with the chosen Hold Down Fixing. This will allow the blind to have a mid-point stop at a customer chosen height• If Short Peg Hold Down Fixings are chosen, 4x will be supplied regardless of blind size
11. Replacement Blind Assembly	Replacement Blind Assemblies are only available for Rectangular blinds. If the blind is Shape 2, 3, 4 or 5, please contact Dometic Blinds
12. Quantity Required	Please enter amount if multiple versions of the exact same blind are required