

# SKYSOL Track Small

## Order Form and Product Guide

Customer \_\_\_\_\_  
 Address \_\_\_\_\_  
 \_\_\_\_\_

Tel \_\_\_\_\_  
 Mobile \_\_\_\_\_  
 Email \_\_\_\_\_

Order \_\_\_\_\_  
 Quote \_\_\_\_\_  
 Date \_\_\_\_\_  
 Project Name \_\_\_\_\_  
 Project Location \_\_\_\_\_

1	2	3	4	5	6	7	8	9	10	11	12	13
Blind No.	Location	Width (X) <sup>1</sup>	Straight line Length(Y) <sup>2</sup>	Honeycomb Fabric code <sup>3</sup>	Single or Double Ended	Head rail	Moving rail	Side track	Track curved or straight <sup>2</sup>	Fill in one option only		Qty
					Powered Single <small>Motor Code<sup>7</sup></small>	White Beige Graphite Custom	White Beige Graphite Custom	White Beige Aluminium Custom	Curved  DWG or CAD Template Straight  A radius greater than 6260mm [246 7/16"] will be treated as straight and can't be less than 76mm [3"]	Manual handle type  None Webbing <sup>6</sup> Plastic Articulating <sup>6</sup> Plastic Fixed <sup>6</sup> Metal Chrome Metal Nickel Clear (Control Rod)  Rod Length _____  Qty _____	Powered  Motor Wire exit point Left Right Centre  Controlled By Switch constant Switch Momentary Somfy remote <sup>4</sup> Dometic remote <sup>4</sup>  Motor ID _____	

- The blind will work in a recess that is up to 10mm wider than the specified X.
- Template or drawing must be provided for curved tracks if the radius is less than 6260mm [246 7/16"].
- 25mm Honeycomb only, please see fabric collection for codes.
- Please fill in a powered accessories custom order form.
- Specify quantity of rods per blind or boat set.
- Colour matched to hardware.

### Minimum and Maximum Dimensions

	Width (X)		Drop (Y)	
	Min	Max	Min	Max
			Single Ended	
Manual	300mm [11 13/16"]	1200mm [47 1/4"]	400mm [15 3/4"]	3000mm [118"]
Powered	425mm [16 3/4"]		700mm [27 9/16"]	2200mm [86 5/8"]

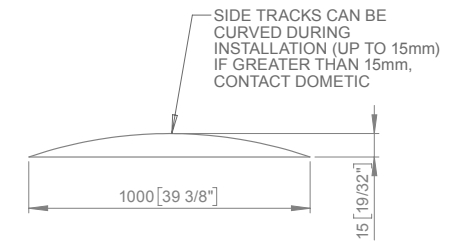
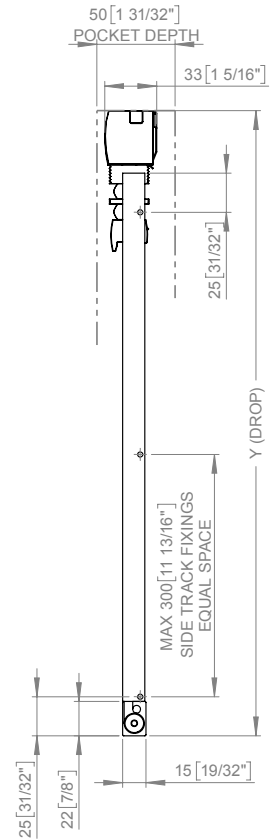
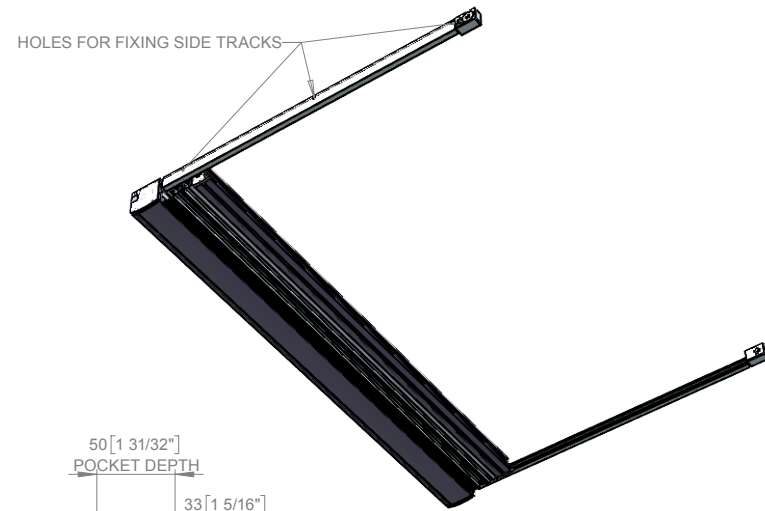
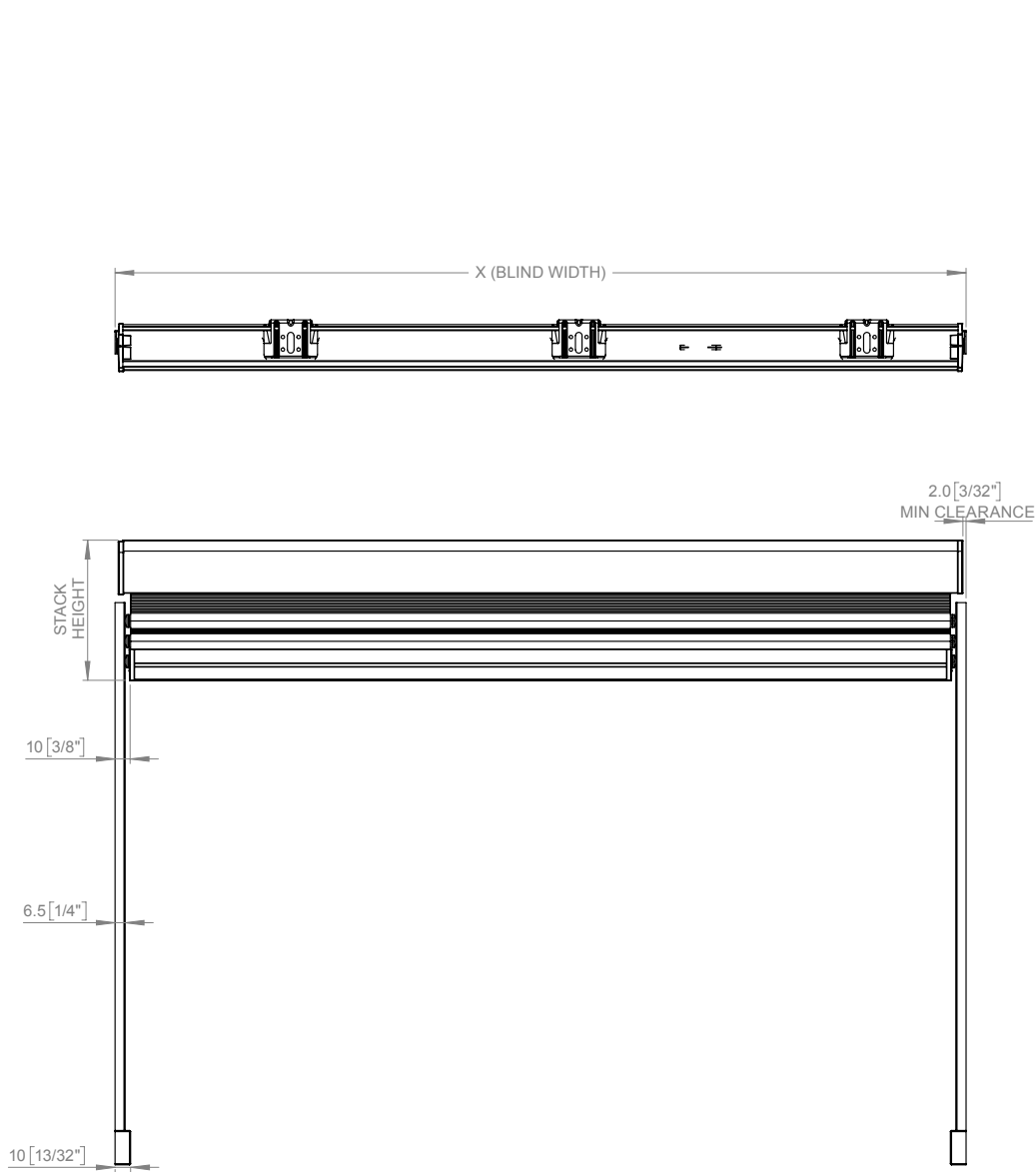
Motor ID	Description	Voltage
25SD1	Atlantic 12S Double End	12 V DC
25SD2	Atlantic 24S Double End	24 V DC
24	Somfy LW25-B83	24 V DC
LV25	Somfy LV25-B64	24 V DC
TM24	Hunter Douglas M35S	24 V DC

Additional requirements.

# SKYSOL Track Small

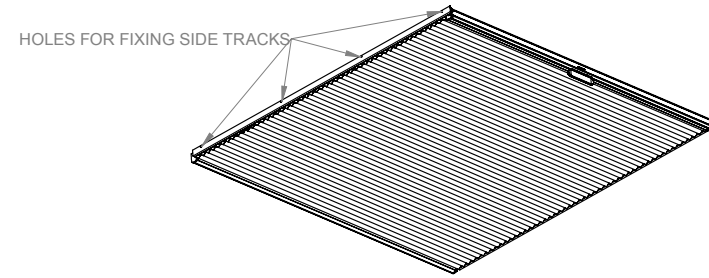
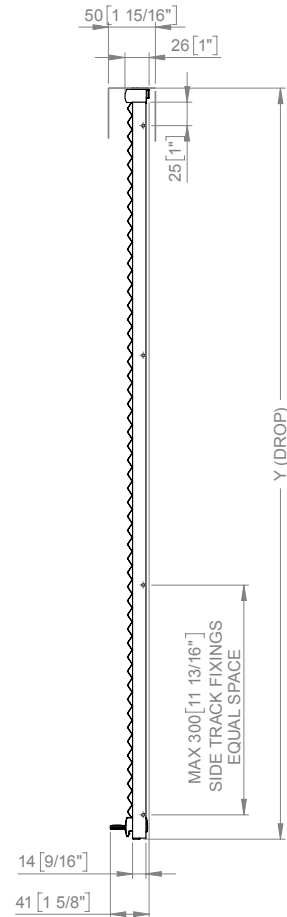
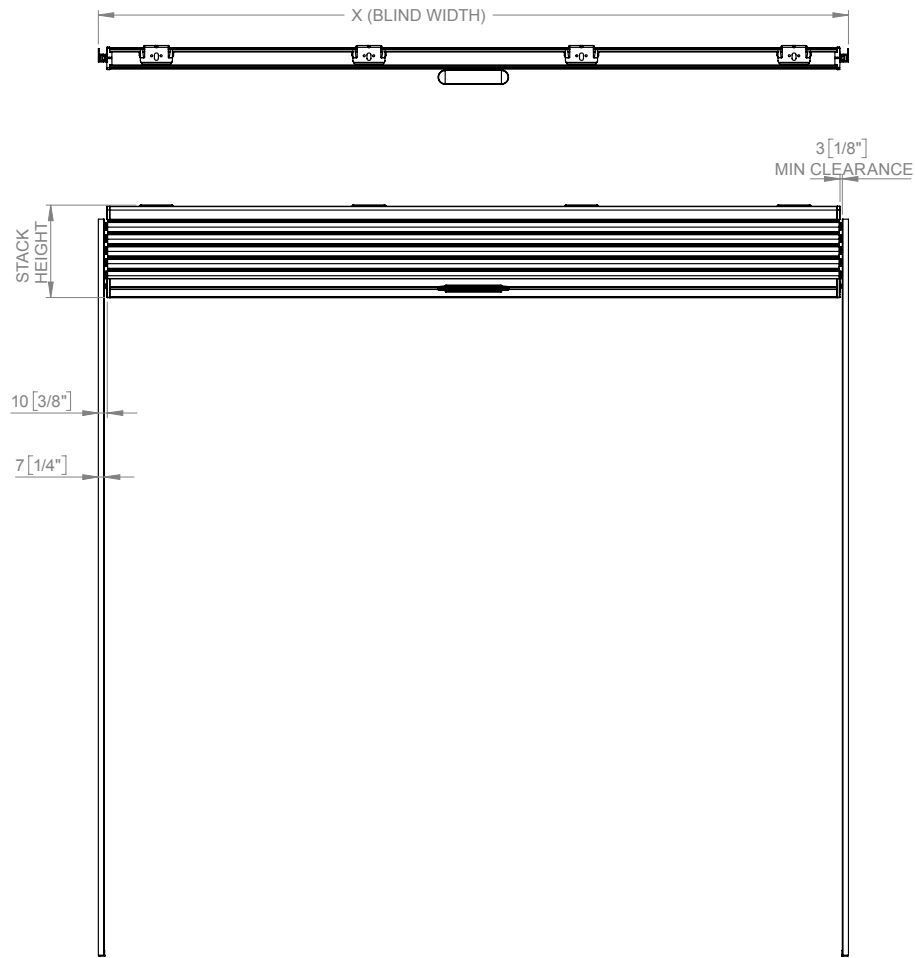
Powered

Order Form and Product Guide

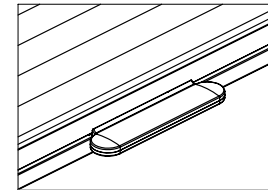


# SKYSOL Track Small

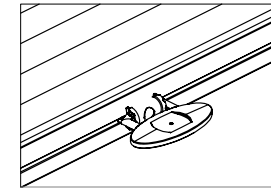
## Manual



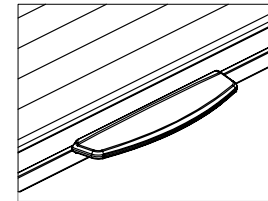
### HANDLE OPTIONS



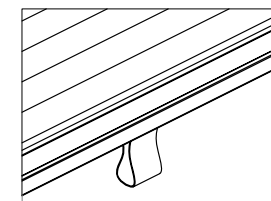
PLASTIC FIXED / ARTICULATING



CLEAR (CONTROL ROD)



METAL (NICKEL OR CHROME)



WEBBING HANDLE

SIDE TRACK CAN BE CURVED DURING INSTALLATION (UP TO 15mm) IF GREATER THAN 15mm, CONTACT DOMETIC

