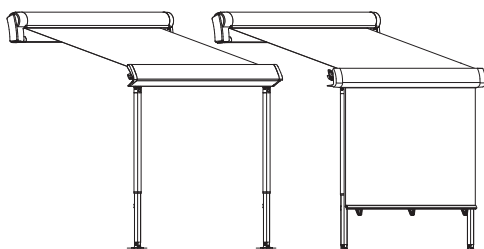


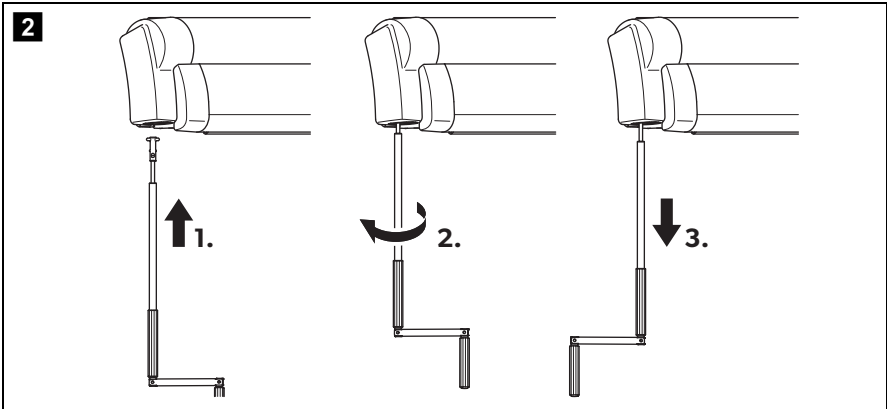
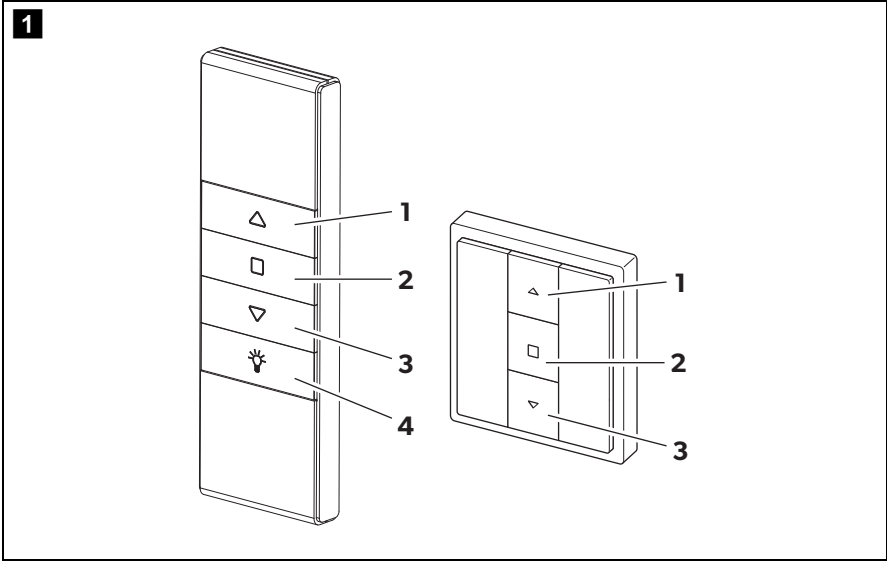
↗ DOMETIC AWNINGS PERFECTWALL

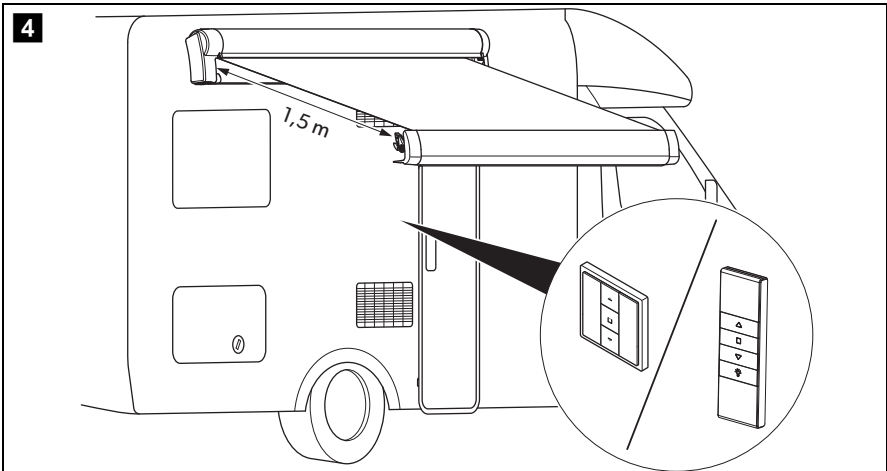
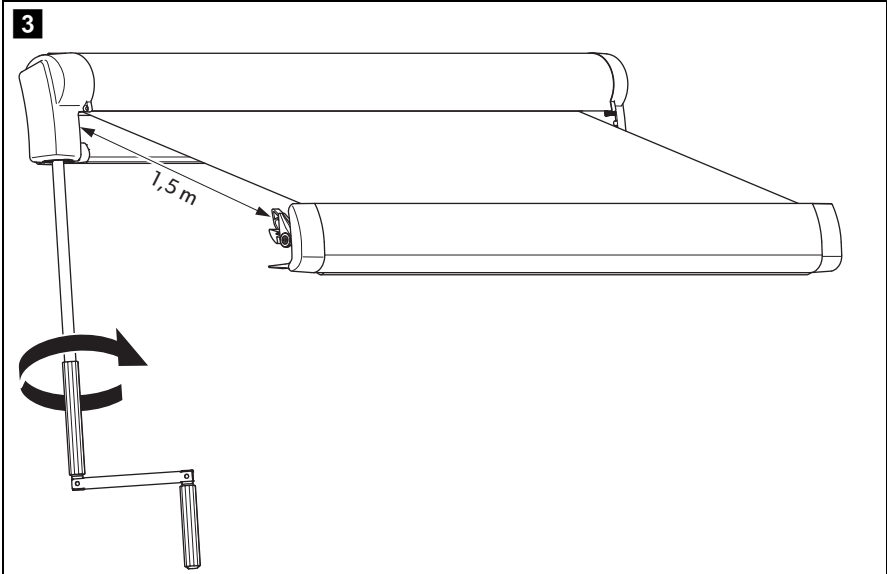


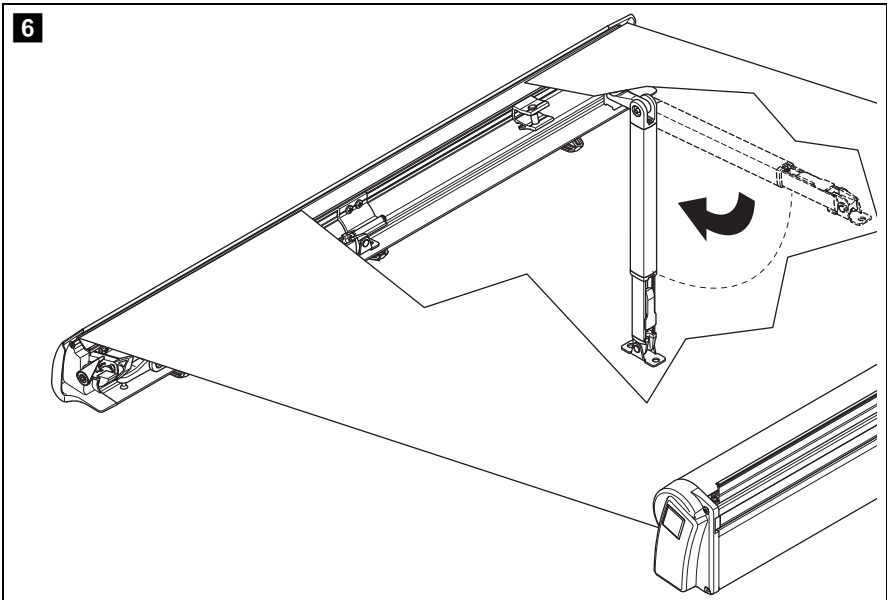
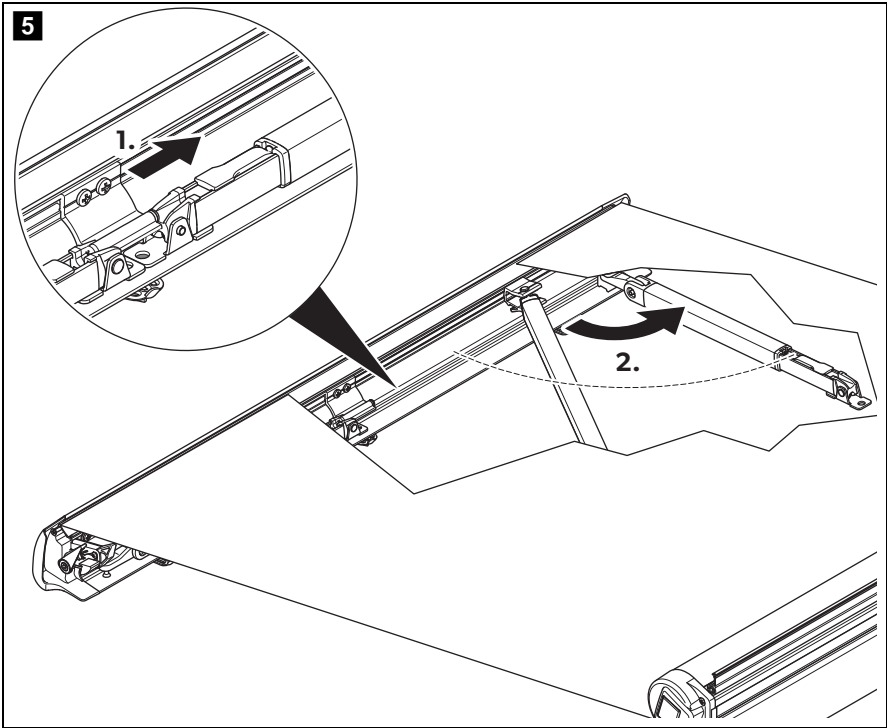
PW1000, PW1500, PW1750

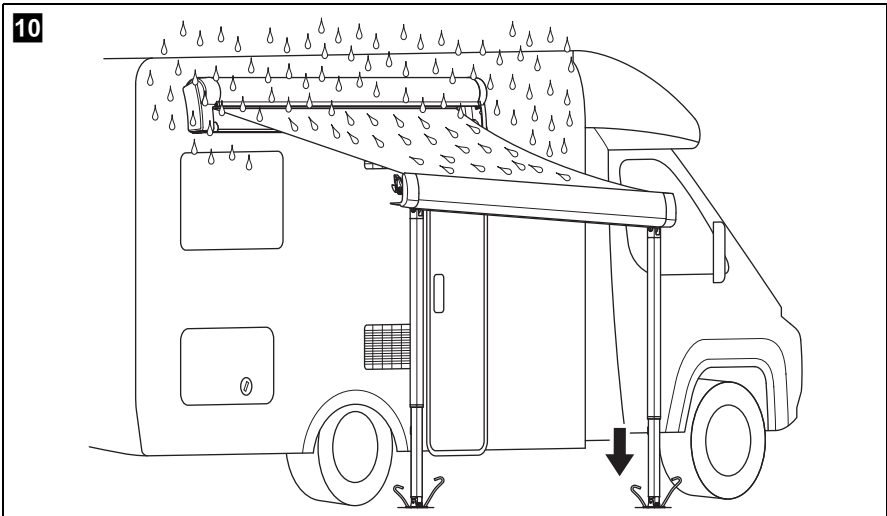
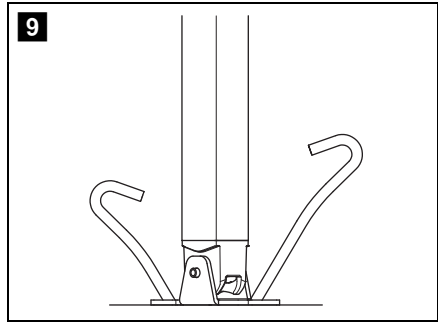
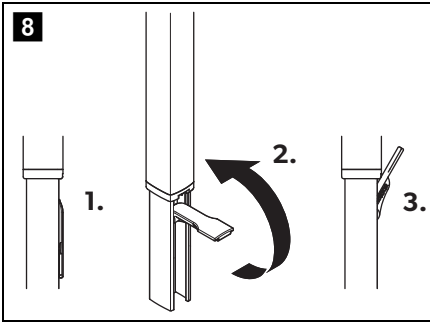
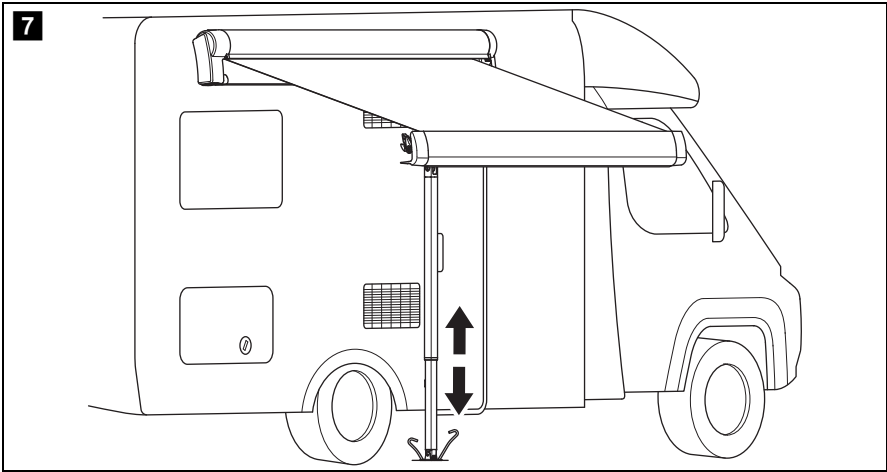
EN	Awning Operating manual	12
DE	Markise Bedienungsanleitung	31
FR	Store extérieuru Notice d'utilisation	50
ES	Toldo Instrucciones de uso	69
PT	Toldo Manual de instruções	88
IT	Tenda da sole Istruzioni per l'uso	108
NL	Zonnescherm Gebruiksaanwijzing	127
DA	Markise Betjeningsvejledning	146
SV	Markis Bruksanvisning	165
NO	Markise Bruksanvisning	183
FI	Markiisi Käyttöohje	202
RU	Маркиза Инструкция по эксплуатации	220
PL	Markiza Instrukcja obsługi	240
SK	Markíza Návod na obsluhu	260
CS	Markýza Návod k obsluze	279
HU	Előtető Használati utasítás	298
SL	Markiza Navodilo za uporabo	316
EL	Τέντα Οδηγίες χειρισμού	335

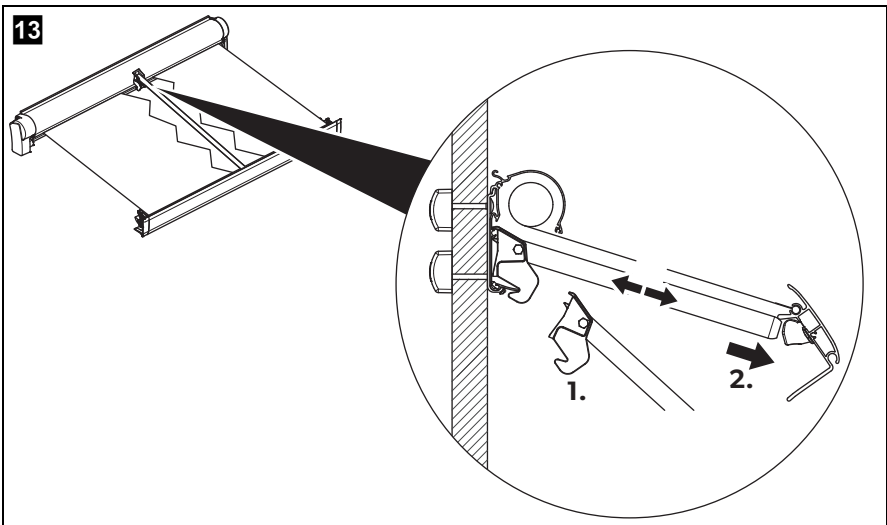
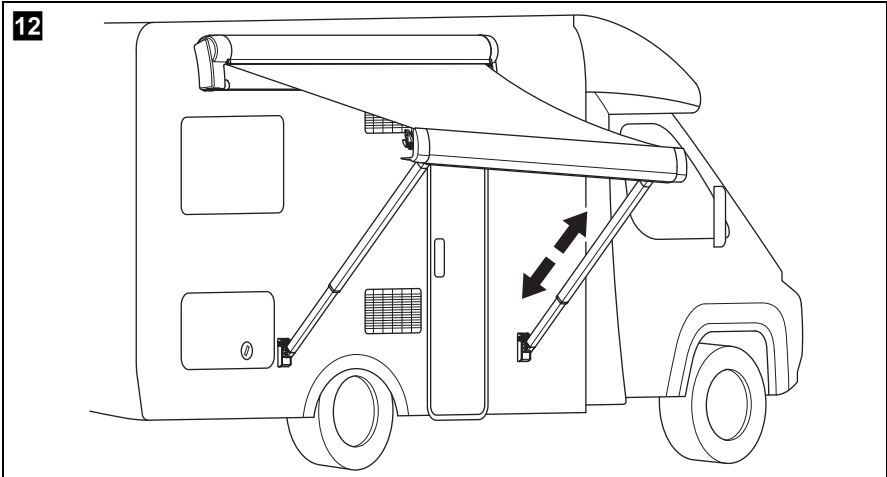
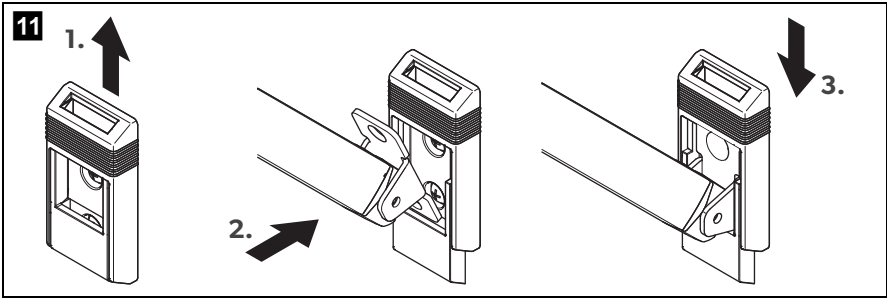
© 2021 Dometic Group. The visual appearance of the contents of this manual is protected by copyright and design law. The underlying technical design and the products contained herein may be protected by design, patent or be patent pending. The trademarks mentioned in this manual belong to Dometic Sweden AB. All rights are reserved.

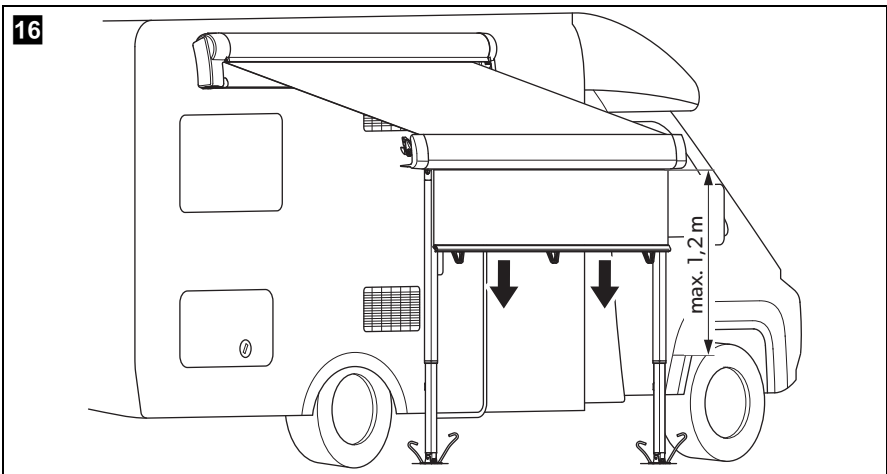
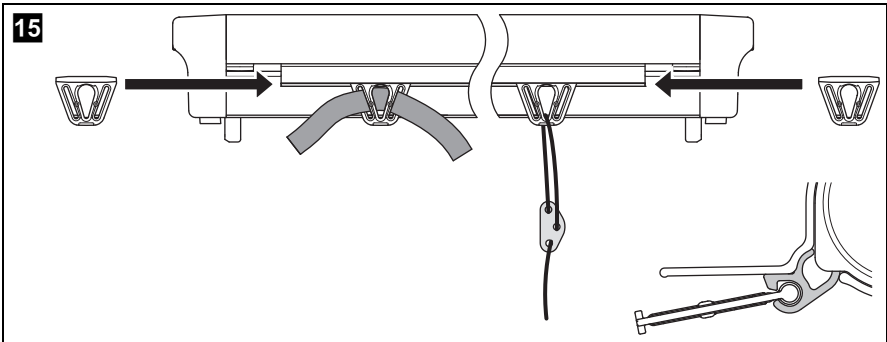
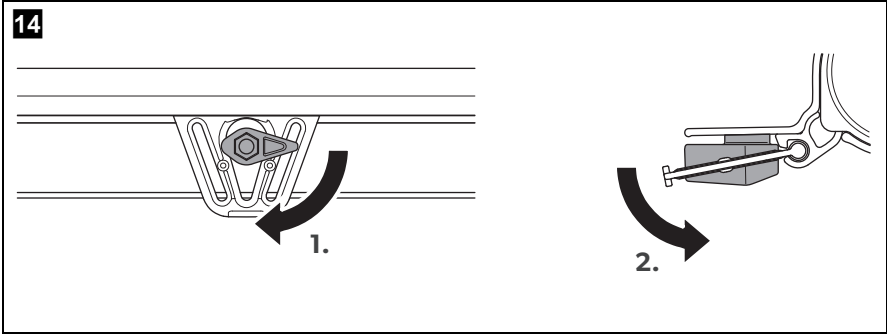


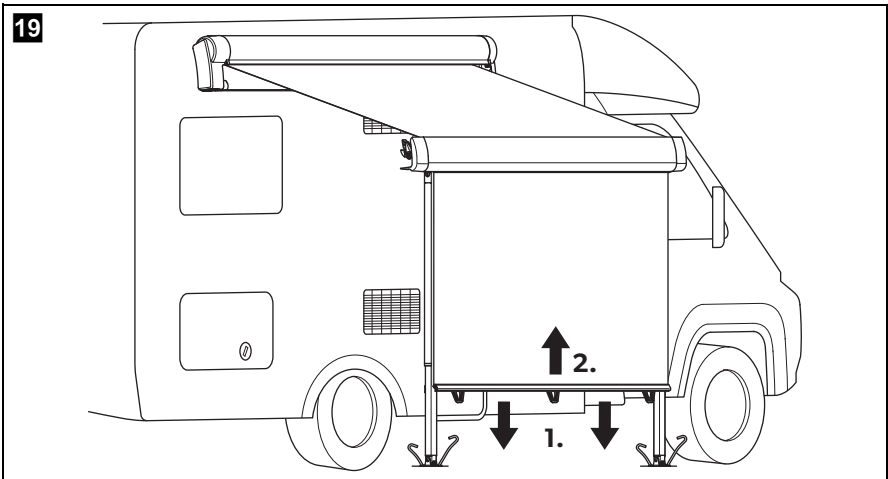
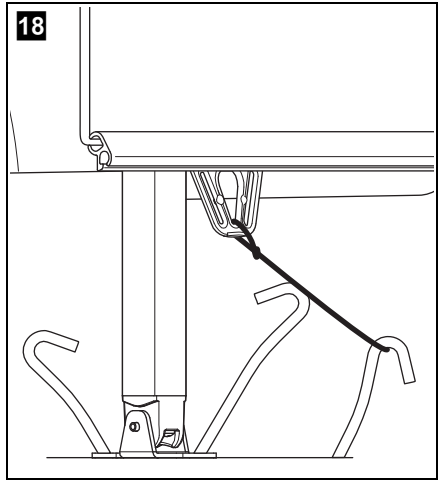
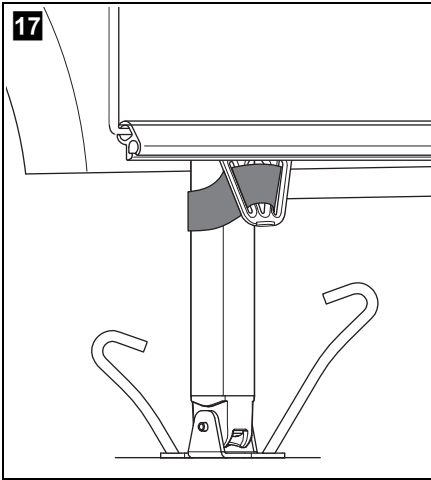


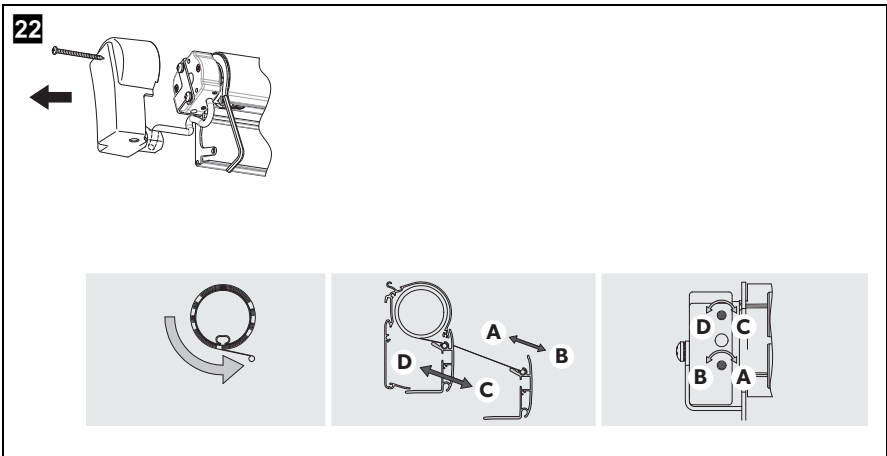
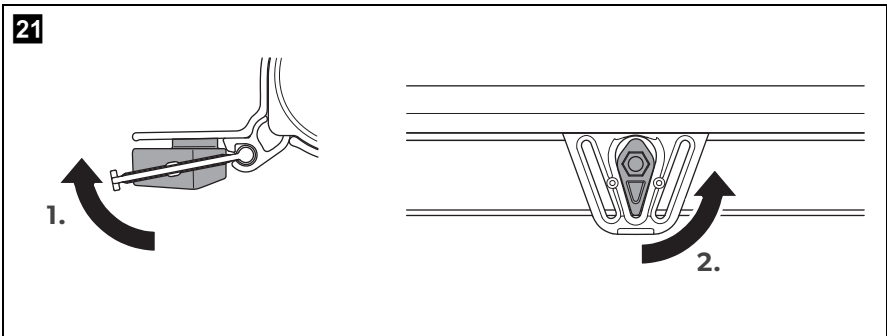
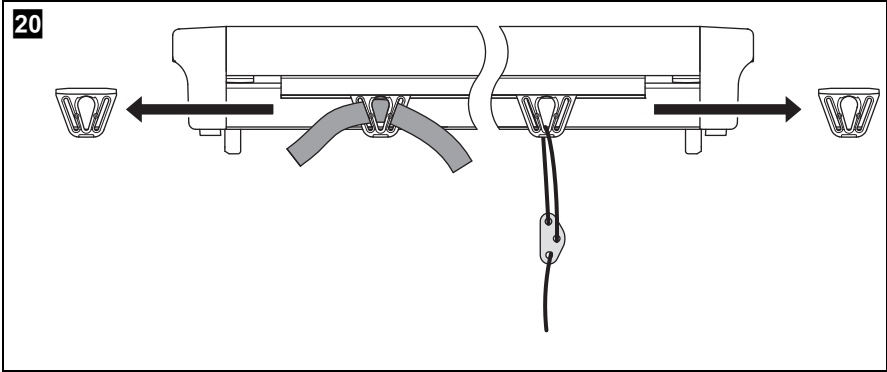




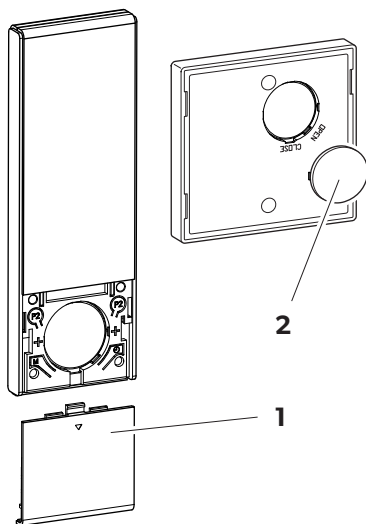




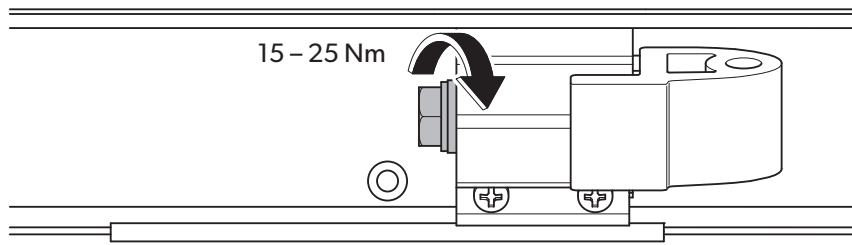




23



24



Please read these instructions carefully and follow all instructions, guidelines, and warnings included in this product manual in order to ensure that you install, use, and maintain the product properly at all times. These instructions **MUST** stay with this product.

By using the product, you hereby confirm that you have read all instructions, guidelines, and warnings carefully and that you understand and agree to abide by the terms and conditions as set forth herein. You agree to use this product only for the intended purpose and application and in accordance with the instructions, guidelines, and warnings as set forth in this product manual as well as in accordance with all applicable laws and regulations. A failure to read and follow the instructions and warnings set forth herein may result in an injury to yourself and others, damage to your product or damage to other property in the vicinity. This product manual, including the instructions, guidelines, and warnings, and related documentation, may be subject to changes and updates. For up-to-date product information, please visit dometic.com.



WARNING!

- This instruction manual must be read and understood before the device is operated, cleaned or serviced.
- This product must be mounted by a specialist. Improper assembly can lead to serious injury. Alterations to the product can be extremely dangerous and lead to serious injury or damage to the device.
- Keep this instruction manual with the product. The owner must read it carefully.

Table of contents

1	Explanation of symbols	13
2	Safety instructions	13
3	Scope of delivery	16
4	Accessories	16
5	Intended use	17
6	Technical description	18
7	Operating the awning	19
7.1	Note on the vehicle location	19
7.2	Extending the awning	19
7.3	Retracting the awning	22
7.4	Unrolling the blind (only PW1750)	24
7.5	Rolling up the blind (only PW1750)	24
7.6	Adjusting the 12 V motor (only PW1500/PW1750, optional)	25
7.7	Replacing the batteries of the remote control and the wall switch (only PW1500/PW1750, optional)	25
8	Cleaning and maintenance	26
8.1	Cleaning	26
8.2	Lubricating	26
8.3	Checking	27

8.4	Tighten up the screws on the rear hinge	27
8.5	Patching small holes in the fabric	28
9	Troubleshooting	28
10	Warranty.....	29
11	Disposal	29
12	Technical data	30

1 Explanation of symbols



WARNING!

Safety instruction: Indicates a hazardous situation that, if not avoided, could result in death or serious injury.



NOTICE!

Indicates a situation that, if not avoided, can result in property damage.



NOTE

Supplementary information for operating the product.

2 Safety instructions

Please observe the prescribed safety instructions and stipulations from the vehicle manufacturer and service workshops.



WARNING! Failure to obey these warnings could result in death or serious injury.

Health hazard

- Before starting your journey, check that the awning is fully retracted. Never move the vehicle when the awning is open.
- Never drive with the crank inserted. Remove the crank before starting your journey.

- Do not drive the vehicle if the fabric is damaged or torn, even if the awning has been properly retracted. The awning arms are held in place by the fabric. If the fabric rips while driving, the awning will suddenly shoot out. This can lead to serious injury. Secure the awning so that it cannot extend suddenly and unexpectedly while driving.
- Do **not** open the awning while driving.
- Make sure that water or snow does not accumulate on the fabric. Otherwise this could damage the awning or the awning arms could collapse and cause severe or fatal injury.
- Do not approach the awning
 - if it was left open during heavy winds
 - if pools of water have formed on it
 - if snow has accumulated on it
 - if any debris is on the awning fabric.The awning may move unexpectedly, become unstable and bend or break off.
- This device can be used by children aged from 8 years and above and persons with reduced physical, sensory or mental capabilities or lack of experience and knowledge if they have been given supervision or instruction concerning use of the device in a safe way and understand the hazards involved.
- Children must be supervised to ensure that they do not play with the device.

Electrocution hazard

- **Optional for PW1500/PW1750:** If the connection cable of the awning is damaged, it must be replaced by an expert.
- **Optional for PW1500/PW1750:** Disconnect the power supply by means of the on/off switch before you clean the vehicle in the vicinity of the awning or the awning itself.
- **Optional for PW1500/PW1750: Electrical devices are not toys.**
Keep the remote control out of the reach of children. Prevent children from playing with the wall switch (accessory).



CAUTION! Failure to obey these cautions could result in minor or moderate injury.

Health hazard

- Do **not** open the awning in strong winds or snowfall.
- Retract the awning if strong winds, heavy rain or snowfall are imminent.

- Do not leave the extended awning unattended. Retract the awning before leaving your site.
- Keep a safe distance away from the awning when having barbecues or open fires. The fabric can be damaged by heat or catch fire.
- Do not touch moving parts while operating the awning. There is a risk of injuries from moving parts.
- **Optional for PW1500/PW1750:** Only operate the awning when you can see the product directly from outside



NOTICE! Damage hazard

- Park the motor home or caravan at a site where debris (branches, leaves or similar) cannot fall onto the fabric.
- The fabric of the awning should not hang down at the edges, and must remain taut at all times. If the fabric hangs down, it could rub against the arms and become damaged.
The fabric used for long awnings may sag in the middle.
- Only retract the awning when the fabric is free of debris (branches, leaves or similar). Otherwise the awning may be damaged when it is retracted.
- Keep the awning free of dirt to prevent abrasions, stains and mildew.
- Only retract the awning if it is wet for safety reasons. Extend it again as soon as possible. Otherwise, mildew or stains can form or the colour may fade.
- Never bend down an awning arm or the cover to drain water off the awning. This can bend the awning and impair its function.
- Do not hang any objects on the awning, on the front cover or the awning arms.
- Do not use any sprays (e. g. insect repellent, hairspray) near the awning. This will soil the fabric or the water-repellent effect of the fabric will be lost.
- If there is insufficient space above the door after the awning is mounted, the door must remain closed when retracting or extending to avoid the door making contact with the arms or the lead rail.
The required space depends on the design of the door (door width, swing or sliding door) as well as the set awning angle of inclination.

3 Scope of delivery

Quantity	Description
1	Awning
1	Hand crank (only awnings without motor)
1	Tension rafter (for awnings more than 4 m in length only)
1	Remote control (only PW1500/PW1750, optional)
1	Awning switch (only PW1500/PW1750, optional)
4	Pegs
1	Operating manual
1	Installation manual

4 Accessories

Available as accessories (not included in the scope of delivery):

Description
TieDown Kit Straps for anchoring the awning
CampRoom Awning tent front panel and sides for various models with support legs in different sizes
RainProtect Front panel and sides available in different sizes
SunProtect Front panel and sides available in different sizes
Rollo+ (not for PW1750) Roller blind
Dometic Light LK120 LED light kit with remote control for installation on the awning arms
LED LightStrip LED strip available in different lengths for installation on the underside of the awning

Description

Led Profile

LED lighting available in different lengths for installation on the underside of wall-mounted awnings

Awning cleaner

Special awning cleaner

Repair Kit

Awning repair patch

5 Intended use

The PerfectWall PW1000, PW1500 and PW1750 are awnings suitable for installation on motor homes or caravans.

The awnings may be used while the vehicle is stationary.

This product is only suitable for the intended purpose and application in accordance with these instructions.

This manual provides information that is necessary for proper installation and/or operation of the product. Poor installation and/or improper operating or maintenance will result in unsatisfactory performance and a possible failure.

The manufacturer accepts no liability for any injury or damage to the product resulting from:

- Incorrect assembly or connection, including excess voltage
- Incorrect maintenance or use of spare parts other than original spare parts provided by the manufacturer
- Alterations to the product without express permission from the manufacturer
- Use for purposes other than those described in this manual

Dometic reserves the right to change product appearance and product specifications.

6 Technical description

PerfectWall PW1000, PW1500 and PW1750 are awnings which can be extended and retracted using a hand crank.

The PerfectWall PW1500 and PW1750 awnings can optionally also be extended and retracted with a 12 V motor that is controlled by switch or remote control.

The awning is secured on the side of the vehicle or on the ground using struts.

The PW1750 awning has a roller blind integrated into the lead rail and that can be pulled out for protection against rain or sun.

Controls of the remote control (only PW1500/PW1750, optional)

No. in fig. 1 , page 3	Description
1	Retract awning
2	Stop
3	Extend awning
4	Switch LED lighting on/off (accessory)

Controls of the switch (only PW1500/PW1750, optional)

No. in fig. 1 , page 3	Description
1	Retract awning
2	Stop
3	Extend awning

7 Operating the awning

Observe the safety instructions in chapter "Safety instructions" on page 13.

7.1 Note on the vehicle location



NOTICE!

- Park the vehicle so that no debris (branches, leaves or similar) gets on to the fabric.
- Keep the awning free of dirt to prevent abrasions, stains and mildew.

7.2 Extending the awning

Extending the awning using a hand crank



WARNING! Beware of injury.

Keep a sufficient distance from objects or other vehicles. Once it is retracted, it should be at least 40 cm away from other objects and vehicles on all sides.

- Click the hand crank into the holder in the awning (fig. **2**, page 3).
- Turn the hand crank until the awning is extended by about 1.5 metres (fig. **3**, page 4).
- Push the right strut in the front cover together so that you can move it freely (fig. **5**, page 5).
- Turn the right strut to the side (fig. **5**, page 5).
- Fold the right strut down and set it on the ground (fig. **6**, page 5).
- Adjust the strut to the required height (fig. **7**, page 6).
- Fold the lever for the strut up to secure the struts (fig. **8**, page 6).
- Extend the other strut in the same way.
- Turn the hand crank until the awning is extended to the required position. Position the struts vertically and back under the lead rail every 30 cm so that the awning stays secured at all times.
- Turn the hand crank approx. a quarter of the way back to tighten the fabric.

**NOTICE! Beware of damage.**

The fabric of the awning should not hang down at the edges, and must remain taut at all times. If the fabric hangs down, it could rub against the arms and become damaged.

The fabric used for long awnings may sag in the middle.

- ▶ Remove the hand crank from the holder on the awning.

Extending the awning using a 12 V motor (only PW1500/PW1750, optional)



**WARNING! Beware of injury.**

Keep a sufficient distance from objects or other vehicles. Once it is retracted, it should be at least 40 cm away from other objects and vehicles on all sides.

**NOTE****Only for operation with the remote control:**

- When the vehicle is started, the awning retracts automatically. While the vehicle is running, the awning is blocked and can not be extended.
- The receiver beeps once when it is switched on.
- Operation of the remote control can be affected by interference if another device is being used nearby on the same frequency.
- Keep the remote control in a safe place while you are driving. The magnet in the holder is not designed for strong vibrations, such as sudden braking.

- ▶ Press the button ▽ of the switch or the remote control until the awning is extended by about 1.5 metres (fig. **4**, page 4).
- ▶ Push the right strut in the front cover together so that you can move it freely (fig. **5**, page 5).
- ▶ Turn the right strut to the side (fig. **5**, page 5).
- ▶ Fold the right strut down and set it on the ground (fig. **6**, page 5).
- ▶ Adjust the strut to the required height (fig. **7**, page 6).
- ▶ Fold the lever for the strut up to secure the struts (fig. **8**, page 6).
- ▶ Extend the other strut in the same way.

- ▶ Press the button  of the switch or the remote control until the awning is extended to the required position. Position the struts vertically and back under the lead rail every 30 cm so that the awning stays secured at all times.
- ▶ Press the switch  of the switch or the remote control until the awning has retracted far enough to tauten the fabric.



NOTICE! Beware of damage.

The fabric of the awning should not hang down at the edges, and must remain taut at all times. If the fabric hangs down, it could rub against the arms and become damaged.

The fabric used for long awnings may sag in the middle.

Positioning the struts on the ground



WARNING! Beware of injury

- Only position the struts on solid ground.
- Secure the struts from slipping.

- ▶ Position the struts vertically underneath the lead rail.
- ▶ Secure the struts with pegs (fig. **9**, page 6).
- ▶ Position one of the struts slightly lower so that the lead rail hangs at an angle. This allows rain to run off more easily (fig. **10**, page 6).

Securing the struts on the vehicle

You can secure the awning on your vehicle directly if you have already mounted the latches for the struts.

- ▶ Slide the cover of the latch up (fig. **11**, page 7).
- ▶ Fit the struts into the latch (fig. **11**, page 7).
- ▶ Slide the cover of the latch down (fig. **11**, page 7).
- ▶ Position one of the struts slightly lower so that the lead rail hangs at an angle. This allows rain to run off more easily (fig. **12**, page 7).

Mounting the tension rafter (fig. 13, page 7)

Awnings with a length of 4 metres or more need to have a tension rafter fitted in the middle of the awning. This prevents the awning from sagging.

- ▶ Slide the tension rafter together.
- ▶ Fit the top end of the tension rafter into the attachment on the housing.
- ▶ Slide the other end of the tension rafter into the attachment in the lead rail.

7.3 Retracting the awning



NOTICE!

- Only retract the awning when the fabric is free of debris (branches, leaves or similar). Otherwise the awning may be damaged when it is retracted.
- Keep the awning free of dirt to prevent abrasions, stains and mildew.
- When retracting the awning, make sure that no branches or other objects are trapped in it.

- ▶ Remove any debris (branches, leaves or similar) lying on the fabric.
- ▶ Loosen the struts from the fastenings (pegs or latches on the vehicle).

Retracting the awning using a hand crank



- ▶ Click the top end of the hand crank into the holder in the awning.
- ▶ Turn the hand crank until the awning is extended by only about 1.5 metres. Position the struts vertically and back under the lead rail every 30 cm so that the awning stays secured at all times.
- ▶ Fold the lever of the right strut down to loosen the struts.
- ▶ Slide the struts together completely.
- ▶ Fold the right strut up.
- ▶ Turn the right strut into the lead rail.
- ▶ Slide the bottom part of the right strut into the latch of the lead rail.
- ▶ Retract the other strut in the same way.
- ▶ Turn the hand crank until the awning is fully retracted.

- ▶ Double-check that the awning is fully retracted before starting your journey. The lead rail should be right up against the housing.
- ▶ Remove the hand crank from the holder on the awning.

**NOTICE! Beware of damage.**

If the awning is retracted when wet, extend it again and let the fabric dry out at the next opportunity. If the wet fabric stays rolled up for a long time, mildew will form and the fabric can fade.

Retracting the awning using a 12 V motor (only PW1500/PW1750, optional)

- ▶ Press the button  of the switch or the remote control until the awning is only extended by about 1.5 metres. Position the struts vertically and back under the lead rail every 30 cm so that the awning stays secured at all times.
- ▶ Fold the lever of the right strut down to loosen the struts.
- ▶ Slide the struts together completely.
- ▶ Fold the right strut up.
- ▶ Turn the right strut into the lead rail.
- ▶ Slide the bottom part of the right strut into the latch of the lead rail.
- ▶ Retract the other strut in the same way.
- ▶ Press the button  of the switch or the remote control until the awning has been completely retracted.
- ▶ Double-check that the awning is fully retracted before starting your journey. The lead rail should be right up against the housing.

**NOTICE! Beware of damage.**

If the awning is retracted when wet, extend it again and let the fabric dry out at the next opportunity. If the wet fabric stays rolled up for a long time, mildew will form and the fabric can fade.

7.4 Unrolling the blind (only PW1750)

- ▶ Open the lock in the middle of the lead rail (fig. **14**, page 8).
 - ▶ Push the brackets on the right and left into the rails of the roller blind (fig. **15**, page 8).
 - ▶ Guide the tensioning belts or cords through the loops of the brackets (fig. **15**, page 8).
 - ▶ Pull the roller blind down evenly with both hands at the rails (fig. **16**, page 8). The maximum extension height is 1.2 m.
 - ▶ Secure the brackets on the right and left using the struts (fig. **17**, page 9).
- or**
- ▶ Secure the cords with pegs (fig. **18**, page 9).

7.5 Rolling up the blind (only PW1750)

- ▶ Loosen the fasteners of the roller blind.
- ▶ Pull the roller blind down (fig. **19**, page 9).
- ✓ The blind then rolls itself into the lead rail.
- ▶ Pull the brackets on the right and left out of the rail (fig. **20**, page 10).
- ▶ Lock the lock in the middle of the lead rail (fig. **21**, page 10).



NOTICE! Beware of damage.

If the roller blind is rolled up when wet, roll it out again at the next opportunity and let the fabric dry out. If the wet fabric stays rolled up for a long time, mildew will form and the fabric can fade.

7.6 Adjusting the 12 V motor (only PW1500/PW1750, optional)



NOTE

The 12 V motor is pre-assembled in the roller tube.

- ▶ If the awning no longer fully closes or opens, then adjust the 12 V motor (fig. **22**, page 10).

7.7 Replacing the batteries of the remote control and the wall switch (only PW1500/PW1750, optional)



NOTE

If the LED of the remote control does **not** light up after pressing one of the buttons, the remote control battery is flat.

- ▶ Open the housing (fig. **23** 1, page 11).
- ▶ Remove the old battery from the holder.
- ▶ Insert a new battery (type CR2450 for remote control, type CR2430 for wall switch, fig. **23** 2, page 11) into the holder with the positive terminal facing upwards.
- ▶ Reassemble the remote control or wall switch.



Protect the environment!

Do not dispose of any batteries with general household waste. Return defective or used batteries to your retailer or dispose of them at collection points.

8 Cleaning and maintenance

8.1 Cleaning

**NOTICE! Beware of damage.**

- **Never** clean the awning with a high-pressure cleaner.
- Do not use abrasive cleaning agents or hard objects during cleaning, as these can damage the product.

- ▶ Remove any debris (twigs, leaves or similar) lying on the awning fabric to prevent abrasions, stains and mildew. The awning can also be damaged when it is retracted.
- ▶ Clean the awning fabric regularly to remove any dirt and dust:
 - To do this, use water with 30 ml detergent and 30 ml bleach for 10 litres of water.
 - Soap down the fabric and leave the liquid to soak in for five minutes.
 - Rinse thoroughly with clean water.
Make sure that the detergent with the bleach is completely washed off. Otherwise it can damage the fabric.
 - Leave the fabric to dry.

**NOTE**

The manufacturer recommends:

To clean the cloth, use the Dometic awning cleaner (ref. no. 9600000165, available from your service partner).

8.2 Lubricating

- ▶ If required, lubricate the joints of the awning with paraffin wax, teflon oil or silicone oil.

8.3 Checking



WARNING!

Do not use the awning if any settings or maintenance work are required. If you discover any damage, please contact a service partner in the respective country (see addresses on the back of the manual).



NOTE

Dometic accessories such as sealing joints or foam strips are subject to environmental wear and tear. This is not an evidence of poor quality. To ensure the function of these parts, Dometic recommends replacing rubber seals and foam strips every 5 years.

- ▶ Check the awning regularly for any imbalance and wear, as well as damage to major parts.
- ▶ Check the awning regularly:
 - Is the fabric free of damage?
 - Are the arms and lead rail free of damage with no signs of wear?
 - Does the awning close properly?

8.4 Tighten up the screws on the rear hinge

The screws on the rear hinge must be re-tightened after being subjected to a load for the first time:

- after the first holiday using the awning
- after driving 20,000 km or six months after the awning was installed (whichever occurs first)

The screws on the rear hinge also need to be checked during the routine vehicle inspection.

Contact your service partner to re-tighten the screws.

Instructions for servicing (fig. 24, page 11)



NOTICE!

The awning arms must not bear any load. This is to prevent the fastening torque of the screws from being distorted.

- ▶ Lift up the lead rail slightly so that the hinge is not bearing any load.
- ▶ Tighten the screws with 15 – 25 Nm.

8.5 Patching small holes in the fabric

You can patch any small holes in the fabric or parts where the coating has come off:



- ▶ Use a cotton cloth to rub around the damaged area with a small amount of liquid vinyl plaster (ref. no. 9103104018, available from your service partner).
- ✓ The liquid vinyl plaster dissolves the coating. The coating seals the hole when it dries.
- ▶ Wait until the area is dry before you retract the awning again.

9 Troubleshooting



NOTE

If you are not able to rectify a fault with the help of the following table, please contact the relevant service partner in your country (see the back of the manual for the address).

Fault	Possible cause	Suggested remedy
<p>PW1500/PW1750 only: The motor is not responding to the remote control.</p>	<p>The remote control battery is flat.</p>	<p>Briefly press one of the buttons  or . If the remote control LED does not light up, the battery is flat. Replace the battery, see chapter "Replacing the batteries of the remote control and the wall switch (only PW1500/PW1750, optional)" on page 25.</p>
	<p>The remote control is no longer or not properly set to the motor.</p>	<p>Reprogram the remote control, see the installation manual.</p>
	<p>No power supply available</p>	<p>Check the electric connections.</p>
	<p>The motor is defective.</p>	<p>Retract the awning manually and contact the service partner in the respective country.</p>

10 Warranty

The statutory warranty period applies. If the product is defective, please contact your retailer or the manufacturer's branch in your country (see dometic.com/dealer).

For repair and warranty processing, please include the following documents when you send in the product:

- A copy of the receipt with purchasing date
- A reason for the claim or description of the fault

11 Disposal

- Place the packaging material in the appropriate recycling waste bins wherever possible.



If you wish to finally dispose of the product, ask your local recycling centre or specialist dealer for details about how to do this in accordance with the applicable disposal regulations.


12 Technical data

PerfectWall PW1000					
Width:	2.6 m	3 m	3.5 m	4 m	4.5 m
Extended:	2 m	2.5 m			
Weight:	18.6 kg	21 kg	24 kg	27 kg	30 kg

PerfectWall PW1500				
Width:	1.5 m	2.6 m	3 m	3.5 m
Extended:	1 m	2 m	2.5 m	2.5 m / 2.75 m
Weight:	12 kg	18 kg	21 kg	24 kg

PerfectWall PW1500				
Width:	4 m	4.5 m	5 m	5.5 m
Extended:	2.5 m / 2.75 m			
Weight:	27 kg	30 kg	33 kg	36 kg

PerfectWall PW1750			
Width:	3 m	3.5 m	4 m
Extended:	2.5 m		
Weight:	26 kg	30 kg	33 kg

12 V motor (only PW1500 and PW1750)	
Connection voltage:	12 V $\overline{=}$ (11 – 15 V)
Amperage:	7 A
Output power:	84 W
Torque:	35 Nm
Inspection/certification:	

Lesen und befolgen Sie bitte alle Anweisungen, Richtlinien und Warnhinweise in diesem Produkthandbuch sorgfältig, um sicherzustellen, dass Sie das Produkt ordnungsgemäß installieren und stets ordnungsgemäß betreiben und warten. Diese Anleitung MUSS bei dem Produkt verbleiben.

Durch die Verwendung des Produktes bestätigen Sie hiermit, dass Sie alle Anweisungen, Richtlinien und Warnhinweise sorgfältig gelesen haben und dass Sie die hierin dargelegten Bestimmungen verstanden haben und ihnen zustimmen. Sie erklären sich damit einverstanden, dieses Produkt nur für den angegebenen Verwendungszweck und gemäß den Anweisungen, Richtlinien und Warnhinweisen dieses Produkthandbuchs sowie gemäß allen geltenden Gesetzen und Vorschriften zu verwenden. Eine Nichtbeachtung der hierin enthaltenen Anweisungen und Warnhinweise kann zu einer Verletzung Ihrer selbst und anderer Personen, zu Schäden an Ihrem Produkt oder zu Schäden an anderem Eigentum in der Umgebung führen. Dieses Produkthandbuch, einschließlich der Anweisungen, Richtlinien und Warnhinweise, sowie die zugehörige Dokumentation können Änderungen und Aktualisierungen unterliegen. Aktuelle Produktinformationen finden Sie unter dometic.com.



WARNUNG!

- Diese Anleitung muss vor der Benutzung, der Reinigung und Wartung gelesen und verstanden werden.
- Dieses Produkt muss von einer Fachkraft montiert werden. Eine fehlerhafte Montage kann zu schweren Verletzungen führen. Umbauten am Produkt können äußerst gefährlich werden und zu schweren Verletzungen oder zu Geräteschäden führen.
- Diese Anleitung muss beim Produkt verbleiben. Der Besitzer muss sie aufmerksam lesen.

Inhaltsverzeichnis

1	Erläuterung der Symbole	32
2	Sicherheitshinweise	32
3	Lieferumfang	35
4	Zubehör	35
5	Bestimmungsgemäßer Gebrauch	36
6	Technische Beschreibung	37
7	Markise bedienen	38
7.1	Hinweise zum Standort des Fahrzeugs	38
7.2	Markise ausfahren	38
7.3	Markise einfahren	41
7.4	Rollo abrollen (nur PW1750)	43
7.5	Rollo aufrollen (nur PW1750)	43
7.6	12-V-Motor einstellen (nur PW1500/PW1750, optional)	44
7.7	Batterien der Fernbedienung und des Wandschalters austauschen (nur PW1500/PW1750, optional)	44
8	Reinigung und Pflege	44
8.1	Reinigung	44
8.2	Schmieren	45

8.3	Kontrollieren	45
8.4	Schrauben der Schultergelenke nachziehen	46
8.5	Kleine Löcher im Tuch flicken	46
9	Störungsbeseitigung	47
10	Gewährleistung	47
11	Entsorgung	48
12	Technische Daten	49

1 Erläuterung der Symbole



WARNUNG!

Sicherheitshinweis auf eine Gefahrensituation, die zum Tod oder zu schwerer Verletzung führen kann, wenn sie nicht vermieden wird.



ACHTUNG!

Hinweis auf eine Situation, die zu Sachschäden führen kann, wenn sie nicht vermieden wird.



HINWEIS

Ergänzende Informationen zur Bedienung des Produktes.

2 Sicherheitshinweise

Beachten Sie die vom Fahrzeughersteller und vom Kfz-Handwerk vorgeschriebenen Sicherheitshinweise und Auflagen.



WARNUNG! Nichtbeachtung dieser Warnungen kann zum Tod oder schwerer Verletzung führen.

Gesundheitsgefahr

- Kontrollieren Sie vor Fahrtantritt, ob die Markise vollständig eingefahren ist. Bewegen Sie nie bei geöffneter Markise das Fahrzeug.
- Fahren Sie nie mit eingehängter Kurbel. Nehmen Sie die Kurbel vor Fahrtantritt ab.

- Fahren Sie das Fahrzeug nicht, wenn das Tuch beschädigt oder eingegrissen ist, auch wenn die Markise ordnungsgemäß geschlossen ist! Die Markisenarme werden durch das Tuch gehalten. Wenn das Tuch beim Fahren reißt, schnellt die Markise plötzlich heraus. Das kann zu schweren Verletzungen führen. Sichern Sie die Markise so, dass sie während der Fahrt nicht plötzlich und unerwartet ausfahren kann.
- Öffnen Sie die Markise **nicht** während der Fahrt.
- Achten Sie darauf, dass sich kein Wasser oder Schnee auf dem Tuch ansammelt. Anderenfalls kann die Markise beschädigt werden oder die Markisenarme können abbrechen und so schwere Verletzungen oder Tod verursachen.
- Nähern Sie sich nicht der Markise,
 - wenn sie während heftigem Wind offengelassen wurde,
 - wenn sich Wasserlachen auf ihr gebildet haben,
 - wenn sich Schnee angehäuft hat,
 - wenn sich viel grober Schmutz auf dem Markisentuch befindet.Die Markise kann sich unerwartet bewegen, instabil werden und sich verbiegen oder abbrechen.
- Dieses Gerät kann von Kindern ab 8 Jahren und von Personen mit verringerten physischen, sensorischen oder mentalen Fähigkeiten oder Mangel an Erfahrung und/oder Wissen verwendet werden, wenn diese Personen beaufsichtigt werden oder im sicheren Gebrauch des Geräts unterwiesen wurden und die daraus resultierenden Gefahren verstanden haben.
- Kinder sollten beaufsichtigt werden, um sicherzustellen, dass sie nicht mit dem Gerät spielen.

Gefahr durch Stromschlag

- **Optional für PW1500/PW1750:** Wenn das Anschlusskabel der Markise beschädigt ist, muss es von Fachmann ausgetauscht werden.
- **Optional für PW1500/PW1750:** Unterbrechen Sie mit dem Ein-/Aus-Schalter die Spannungsversorgung, bevor Sie das Fahrzeug in der Umgebung der Markise oder die Markise selbst reinigen.
- **Optional für PW1500/PW1750: Elektrogeräte sind kein Kinderspielzeug!**
Verwahren Sie die Fernbedienung außerhalb der Reichweite von Kindern. Halten Sie Kinder davon ab, mit dem Wandschalter (Zubehör) zu spielen.



VORSICHT! Nichtbeachtung dieser Hinweise kann zu geringer oder mittelschwerer Verletzung führen.

Gesundheitsgefahr

- Öffnen Sie die Markise **nicht** bei starken Wind oder Schneefall.
- Fahren Sie die Markise ein, wenn starker Wind, starker Regen oder Schneefall zu erwarten sind.
- Lassen Sie die ausgefahrene Markise nicht unbeaufsichtigt. Fahren Sie die Markise ein, bevor Sie Ihren Standplatz verlassen.
- Halten Sie beim Grillen mit offenem Feuer Abstand von der Markise. Das Tuch kann durch die Hitze beschädigt werden oder in Brand geraten.
- Berühren Sie während der Bedienung der Markise keine beweglichen Teile. Es besteht die Gefahr von Verletzungen durch bewegliche Teile.
- **Optional für PW1500/PW1750:** Bedienen Sie die Markise nur, wenn Sie sie direkt im Blick haben.



ACHTUNG! Beschädigungsgefahr

- Stellen Sie das Wohnmobil oder den Wohnwagen so auf, dass kein Schmutz (Zweige, Blätter oder ähnliches) auf das Tuch geraten kann.
- Das Tuch der Markise darf an den Rändern nicht durchhängen, sondern muss stets straff sein. Wenn das Tuch durchhängt, kann es auf den Armen scheuern und beschädigt werden. Bei langen Markisen darf das Tuch in der Mitte durchhängen.
- Fahren Sie die Markise nur ein, wenn kein Schmutz (Zweige, Blätter oder ähnliches) auf dem Tuch liegt. Beim Einfahren kann sonst die Markise beschädigt werden.
- Halten Sie die Markise frei von Schmutz, um Abschürfungen, Flecken und Schimmel zu verhindern.
- Fahren Sie die Markise nur aus Sicherheitsgründen nass ein. Fahren Sie sie so bald wie möglich wieder aus. Anderenfalls können sich Schimmel oder Flecken bilden, oder die Farbe kann ausbleichen.
- Biegen Sie nie einen Markisenarm oder die Blende herunter, um Wasser auf der Markise ablaufen zu lassen. Die Markise kann sich dadurch verbiegen und ihre Funktion wird beeinträchtigt.
- Hängen Sie keine Gegenstände an die Markise, weder an die Frontblende, noch an die Markisenarme.

- Benutzen Sie keine Sprays (z. B. Insektenspray, Haarspray) in der Nähe der Markise. Das Tuch wird dadurch beschmutzt oder der Abperleffekt des Tuches kann dadurch verloren gehen.
- Falls nach dem Einbau der Markise kein ausreichender Freiraum über der Tür verbleibt, muss die Tür während des Ein- oder Ausfahrens geschlossen bleiben, um einen Kontakt der Tür mit den Armen oder der Frontleiste zu vermeiden.
Der benötigte Freiraum hängt von der Bauart der Tür (Türbreite, Schwenk- oder Schiebetür) sowie dem eingestellten Neigungswinkel der Markise ab.

3 Lieferumfang

Anzahl	Beschreibung
1	Markise
1	Handkurbel (nur Markisen ohne Motor)
1	Spannstange (nur bei Markisen ab 4 m Länge)
1	Fernbedienung (nur PW1500/PW1750, optional)
1	Schalter (nur PW1500/PW1750, optional)
4	Heringe
1	Bedienungsanleitung
1	Montageanleitung

4 Zubehör

Als Zubehör erhältlich (nicht im Lieferumfang enthalten):

Beschreibung

TieDown Kit

Gurte zum Abspannen der Markise

CampRoom

Vorzelt-Frontblende und -Seitenwände für verschiedene Modelle mit Stützfüßen in unterschiedlichen Größen

Beschreibung

RainProtect

Frontblende und Seitenwände in verschiedenen Größen erhältlich

SunProtect

Frontblende und Seitenwände in verschiedenen Größen erhältlich

Rollo+ (nicht für PW1750)

Rollo

Dometic Light LK120

LED-Beleuchtungssatz mit Fernbedienung zur Montage an den Markisenarmen

LED LightStrip

LED-Leiste in verschiedenen Längen für die Montage an der Unterseite der Markise erhältlich

LED-Profil

LED-Beleuchtung in verschiedenen Längen für die Montage an der Unterseite der Markise erhältlich

Markisenreiniger

Spezial-Markisenreiniger

Repair Kit

Markisen-Reparaturflicken

5 Bestimmungsgemäßer Gebrauch

Die Markisen PerfectWall PW1000, PW1500 und PW1750 sind geeignet zum Anbau an Wohnmobile oder Wohnwagen.

Die Markisen dürfen nur im Stand benutzt werden.

Dieses Produkt ist nur für den angegebenen Verwendungszweck und die Anwendung gemäß dieser Anleitung geeignet.

Dieses Handbuch enthält Informationen, die für die ordnungsgemäße Installation und den ordnungsgemäßen Betrieb des Produkts erforderlich sind. Installationsfehler und/oder ein nicht ordnungsgemäßer Betrieb oder nicht ordnungsgemäße Wartung haben eine unzureichende Leistung und u. U. einen Ausfall des Geräts zur Folge.

Der Hersteller übernimmt keine Haftung für Verletzungen oder Schäden am Produkt, die durch Folgendes entstehen:

- Unsachgemäße Montage oder falscher Anschluss, einschließlich Überspannung

- Unsachgemäße Wartung oder Verwendung von anderen als den vom Hersteller gelieferten Original-Ersatzteilen
- Veränderungen am Produkt ohne ausdrückliche Genehmigung des Herstellers
- Verwendung für andere als die in der Anleitung beschriebenen Zwecke

Dometic behält sich das Recht vor, das Erscheinungsbild des Produkts und dessen technische Daten zu ändern.

6 Technische Beschreibung

PerfectWall PW1000, PW1500 und PW1750 sind Markisen, die mit Hilfe einer Handkurbel ein- und ausgefahren werden können.

Die Markisen PerfectWall PW1500 und PW1750 können optional auch mit einem 12-V-Motor ein- und ausgefahren werden, der per Schalter oder Fernbedienung gesteuert werden kann.

Die Markise wird mit Stützen an der Fahrzeugwand oder auf dem Boden gesichert.

Die Markise PW1750 verfügt über ein in die Frontleiste integriertes Rollo, das zum Schutz vor Regen oder Sonne ausgezogen werden kann.

Bedienelemente der Fernbedienung (nur PW1500/PW1750, optional)

Nr. in Abb. 1 , Seite 3	Beschreibung
1	Markise einfahren
2	Stopp
3	Markise ausfahren
4	LED-Beleuchtung ein-/ausschalten (Zubehör)

Bedienelemente des Schalters (nur PW1500/PW1750, optional)

Nr. in Abb. 1 , Seite 3	Beschreibung
1	Markise einfahren
2	Stopp
3	Markise ausfahren

7 Markise bedienen

Beachten Sie auch die Sicherheitshinweise in Kapitel „Sicherheitshinweise“ auf Seite 32!

7.1 Hinweise zum Standort des Fahrzeugs



ACHTUNG!

- Stellen Sie das Fahrzeug so auf, dass kein Schmutz (Zweige, Blätter oder ähnliches) auf das Tuch geraten können.
- Halten Sie die Markise frei von Schmutz, um Abschürfungen, Flecken und Schimmel zu verhindern.

7.2 Markise ausfahren

Markise mit Handkurbel ausfahren



WARNUNG! Verletzungsgefahr!

Halten Sie genügend Abstand zu Gegenständen oder anderen Fahrzeugen. Nach dem Ausfahren muss ringsum ein Mindestabstand zu anderen Gegenständen oder Fahrzeugen von 40 cm sein.

- Rasten Sie die Handkurbel in die Aufnahme der Markise ein (Abb. **2**, Seite 3).
- Drehen Sie die Handkurbel, bis die Markise ungefähr 1,5 m weit ausgefahren ist (Abb. **3**, Seite 4).
- Schieben Sie die rechte Stütze in der Frontabdeckung vollständig zusammen, sodass Sie sie frei bewegen können (Abb. **5**, Seite 5).
- Drehen Sie die rechte Stütze zur Seite (Abb. **5**, Seite 5).
- Klappen Sie die rechte Stütze nach unten weg und stellen Sie sie auf den Boden (Abb. **6**, Seite 5).
- Stellen Sie die Stütze auf die gewünschte Höhe ein (Abb. **7**, Seite 6).
- Klappen Sie den Hebel der Stütze nach oben, um die Stütze zu fixieren (Abb. **8**, Seite 6).
- Fahren Sie die andere Stütze genauso ein.
- Drehen Sie die Handkurbel, bis die Markise in die gewünschte Stellung ausgefahren ist. Stellen Sie die Stützen in Abständen von 30 cm wieder senkrecht unter die Frontleiste, sodass die Markise jederzeit sicher gehalten wird.

- Drehen Sie die Handkurbel ca. eine 1/4 Umdrehung zurück, damit das Tuch gespannt wird.



ACHTUNG! Beschädigungsgefahr!

Das Tuch der Markise darf an den Rändern nicht durchhängen, sondern muss stets straff sein. Wenn das Tuch durchhängt, kann es auf den Armen scheuern und beschädigt werden.

Bei langen Markisen darf das Tuch in der Mitte durchhängen.

- Hängen Sie die Handkurbel aus der Aufnahme der Markise aus.

Markise mit einem 12-V-Motor ausfahren (nur PW1500/PW1750, optional)



WARNUNG! Verletzungsgefahr!


Halten Sie genügend Abstand zu Gegenständen oder anderen Fahrzeugen. Nach dem Ausfahren muss ringsum ein Mindestabstand zu anderen Gegenständen oder Fahrzeugen von 40 cm sein.



HINWEIS

Nur für den Betrieb mit Fernbedienung:

- Wenn der Fahrzeugmotor gestartet wird, fährt die Markise automatisch ein. Während der Fahrzeugmotor läuft, ist die Markise blockiert und kann nicht ausgefahren werden.
- Der Empfänger piept beim Einschalten einmal.
- Der Betrieb der Fernbedienung kann durch Funkstörungen beeinträchtigt werden, wenn ein anderes Gerät in der Nähe dieselbe Frequenz benutzt.
- Bewahren Sie die Fernbedienung während der Fahrt an einem sicheren Ort auf. Der Magnet in der Halterung ist nicht für starke Erschütterungen wie z. B. plötzliches Abbremsen ausgelegt.

- Betätigen Sie die Taste  des Schalters oder der Fernbedienung, bis die Markise ungefähr 1,5 m weit ausgefahren ist (Abb. **4**, Seite 4).
- Schieben Sie die rechte Stütze in der Frontabdeckung vollständig zusammen, sodass Sie sie frei bewegen können (Abb. **5**, Seite 5).
- Drehen Sie die rechte Stütze zur Seite (Abb. **5**, Seite 5).
- Klappen Sie die rechte Stütze nach unten weg und stellen Sie sie auf den Boden (Abb. **6**, Seite 5).
- Stellen Sie die Stütze auf die gewünschte Höhe ein (Abb. **7**, Seite 6).

- ▶ Klappen Sie den Hebel der Stütze nach oben, um die Stütze zu fixieren (Abb. **8**, Seite 6).
- ▶ Fahren Sie die andere Stütze genauso ein.
- ▶ Betätigen Sie die Taste ∇ des Schalters oder der Fernbedienung, bis die Markise in die gewünschte Stellung ausgefahren ist. Stellen Sie die Stützen in Abständen von 30 cm wieder senkrecht unter die Frontleiste, sodass die Markise jederzeit sicher gehalten wird.
- ▶ Betätigen Sie ∇ des Schalters oder der Fernbedienung, um die Markise soweit einzufahren, bis das Tuch gespannt ist.



ACHTUNG! Beschädigungsgefahr!

Das Tuch der Markise darf an den Rändern nicht durchhängen, sondern muss stets straff sein. Wenn das Tuch durchhängt, kann es auf den Armen scheuern und beschädigt werden.
Bei langen Markisen darf das Tuch in der Mitte durchhängen.

Stütze auf dem Boden aufstellen



WARNUNG! Verletzungsgefahr!

- Stellen Sie die Stütze ausschließlich auf festem Untergrund auf.
- Sichern Sie die Stütze gegen Wegrutschen.

- ▶ Stellen Sie die Stütze senkrecht unterhalb der Frontleiste auf.
- ▶ Sichern Sie die Stütze mit Heringen (Abb. **9**, Seite 6).
- ▶ Stellen Sie eine Stütze etwas tiefer ein, damit die Frontleiste leicht schräg hängt. So kann Regen direkt ablaufen (Abb. **10**, Seite 6).

Stütze am Fahrzeug befestigen

Sie können die Markise direkt an Ihrem Fahrzeug befestigen, wenn Sie die Arretierungen für die Stützen montiert haben.

- ▶ Schieben Sie die Abdeckung der Arretierung nach oben (Abb. **11**, Seite 7).
- ▶ Hängen Sie die Stütze in die Arretierung ein (Abb. **11**, Seite 7).
- ▶ Schieben Sie die Abdeckung der Arretierung nach unten (Abb. **11**, Seite 7).
- ▶ Stellen Sie eine Stütze etwas tiefer ein, damit die Frontleiste leicht schräg hängt. So kann Regen direkt ablaufen (Abb. **12**, Seite 7).

Spannstange montieren (Abb. 13, Seite 7)

Bei Markisen mit einer Länge von 4 Metern oder mehr muss eine Spannstange in der Mitte der Markise befestigt werden. Dadurch wird verhindert, dass die Markise durchhängt.

- Schieben Sie die Spannstange zusammen.
- Rasten Sie das obere Ende der Spannstange in die Aufnahmevorrichtung am Gehäuse ein.
- Schieben Sie das andere Ende der Spannstange in die Aufnahmevorrichtung in der Frontleiste.

7.3 Markise einfahren



ACHTUNG!

- Fahren Sie die Markise nur ein, wenn kein Schmutz (Zweige, Blätter oder ähnliches) auf dem Tuch liegt. Beim Einfahren kann sonst die Markise beschädigt werden.
- Halten Sie die Markise frei von Schmutz, um Abschürfungen, Flecken und Schimmel zu verhindern.
- Achten Sie beim Einfahren der Markise darauf, dass keine Äste oder anderen Gegenstände eingeklemmt werden.

- Entfernen Sie Schmutz (Zweige, Blätter oder ähnliches), der auf dem Tuch liegt.
- Lösen Sie die Befestigung der Stützen (Heringe oder Arretierung am Fahrzeug).

Markise mit Handkurbel einfahren

- Rasten Sie das obere Ende der Handkurbel in die Aufnahme der Markise ein.
- Drehen Sie die Handkurbel, bis die Markise nur noch ungefähr 1,5 m weit ausgefahren ist. Stellen Sie die Stützen in Abständen von 30 cm wieder senkrecht unter die Frontleiste, sodass die Markise jederzeit sicher gehalten wird.
- Klappen Sie den Hebel der rechten Stütze nach unten, um die Stütze zu lösen.
- Schieben Sie die Stütze vollständig zusammen.
- Klappen Sie die rechte Stütze nach oben.
- Drehen Sie die rechte Stütze in die Frontleiste.
- Schieben Sie den unteren Teil der rechten Stütze in die Arretierung der Frontleiste.

- Fahren Sie die andere Stütze genauso ein.
- Drehen Sie die Handkurbel, bis die Markise vollständig eingefahren ist.
- Überzeugen Sie sich davon, dass die Markise vollständig eingefahren ist, bevor Sie losfahren. Die Frontleiste muss eng am Gehäuse anliegen.
- Hängen Sie die Handkurbel aus der Aufnahme der Markise aus.

**ACHTUNG! Beschädigungsgefahr!**

Wenn die Markise in nassem Zustand eingefahren wurde, fahren Sie sie bei der nächsten Gelegenheit wieder aus und lassen Sie das Tuch trocknen. Wenn das nasse Tuch längere Zeit eingerollt bleibt, wird es stockig und das Tuch kann ausbleichen.

Markise mit einem 12-V-Motor einfahren (nur PW1500/PW1750, optional)

- Betätigen Sie die Taste \triangle des Schalters oder der Fernbedienung, bis die Markise nur noch ungefähr 1,5 m weit ausgefahren ist. Stellen Sie die Stützen in Abständen von 30 cm wieder senkrecht unter die Frontleiste, sodass die Markise jederzeit sicher gehalten wird.
- Klappen Sie den Hebel der rechten Stütze nach unten, um die Stütze zu lösen.
- Schieben Sie die Stütze vollständig zusammen.
- Klappen Sie die rechte Stütze nach oben.
- Drehen Sie die rechte Stütze in die Frontleiste.
- Schieben Sie den unteren Teil der rechten Stütze in die Arretierung der Frontleiste.
- Fahren Sie die andere Stütze genauso ein.
- Betätigen Sie die Taste \triangle des Schalters oder der Fernbedienung, bis die Markise vollständig eingefahren ist.
- Überzeugen Sie sich davon, dass die Markise vollständig eingefahren ist, bevor Sie losfahren. Die Frontleiste muss eng am Gehäuse anliegen.

**ACHTUNG! Beschädigungsgefahr!**

Wenn die Markise in nassem Zustand eingefahren wurde, fahren Sie sie bei der nächsten Gelegenheit wieder aus und lassen Sie das Tuch trocknen. Wenn das nasse Tuch längere Zeit eingerollt bleibt, wird es stockig und das Tuch kann ausbleichen.

7.4 Rollo abrollen (nur PW1750)

- ▶ Öffnen Sie die Verriegelung in der Mitte der Frontleiste (Abb. **14**, Seite 8).
 - ▶ Schieben Sie die Halterungen rechts und links in die Schiene des Rollos (Abb. **15**, Seite 8).
 - ▶ Führen Sie Spanngurte oder Schnüre durch die Schlaufen der Halterungen (Abb. **15**, Seite 8).
 - ▶ Ziehen Sie das Rollo mit beiden Händen an der Schiene gleichmäßig nach unten (Abb. **16**, Seite 8).
Die maximale Auszugshöhe beträgt 1,2 m.
 - ▶ Befestigen Sie die Halterungen rechts und links an den Stützen (Abb. **17**, Seite 9).
- oder**
- ▶ Befestigen Sie die Schnüre mit Heringen (Abb. **18**, Seite 9).

7.5 Rollo aufrollen (nur PW1750)

- ▶ Lösen Sie die Befestigungen des Rollos.
- ▶ Ziehen Sie das Rollo nach unten (Abb. **19**, Seite 9).
- ✓ Das Rollo rollt dann selbsttätig in die Frontleiste.
- ▶ Ziehen Sie die Halterungen rechts und links aus der Schiene (Abb. **20**, Seite 10).
- ▶ Schließen Sie die Verriegelung in der Mitte der Frontleiste (Abb. **21**, Seite 10).



ACHTUNG! Beschädigungsgefahr!

Wenn das Rollo in nassem Zustand aufgerollt wurde, rollen Sie es bei der nächsten Gelegenheit wieder ab und lassen Sie das Tuch trocknen. Wenn das nasse Tuch längere Zeit eingerollt bleibt, wird es stockig und das Tuch kann ausbleichen.

7.6 12-V-Motor einstellen (nur PW1500/PW1750, optional)



HINWEIS

Der 12-V-Motor ist in der Tuchwelle vormontiert.

- ▶ Wenn die Markise sich nicht mehr vollständig schließt oder öffnet, dann stellen Sie den 12-V-Motor ein (Abb. **22**, Seite 10).

7.7 Batterien der Fernbedienung und des Wandschalters austauschen (nur PW1500/PW1750, optional)



HINWEIS

Wenn die LED der Fernbedienung **nicht** aufleuchtet, nachdem Sie eine der Tasten gedrückt haben, ist die Batterie der Fernbedienung leer.

- ▶ Öffnen Sie das Gehäuse (Abb. **23** 1, Seite 11).
- ▶ Ziehen Sie die alte Batterie aus der Halterung.
- ▶ Setzen Sie eine neue Batterie (Typ CR2450 für die Fernbedienung, Typ CR2430 für den Wandschalter, Abb. **23** 2, Seite 11) mit dem Pluspol nach oben in die Halterung ein.
- ▶ Setzen Sie die Fernbedienung bzw. den Wandschalter wieder zusammen.



Schützen Sie Ihre Umwelt!

Akkus und Batterien gehören nicht in den Hausmüll.

Geben Sie bitte Ihre defekten Akkus oder verbrauchten Batterien beim Händler oder bei einer Sammelstelle ab.

8 Reinigung und Pflege

8.1 Reinigung



ACHTUNG! Beschädigungsgefahr!

- Reinigen Sie die Markise **nie** mit einem Hochdruckreiniger.
- Verwenden Sie zur Reinigung keine scharfen Reinigungsmittel oder harten Gegenstände, da diese das Produkt beschädigen können.

- ▶ Entfernen Sie jeglichen Schmutz (Zweige, Blätter oder ähnliches), der auf dem Tuch liegt, um Abschürfungen, Flecken und Schimmel zu vermeiden. Außerdem kann die Markise beschädigt werden, wenn sie eingefahren wird.
- ▶ Reinigen Sie regelmäßig das Tuch der Markise, um Staub und Dreck zu entfernen:
 - Verwenden Sie dazu Wasser mit 30 g Spülmittel und 30 g Bleichmittel auf 10 l Wasser.
 - Seifen Sie das Tuch damit ein und lassen Sie die Reinigungsflüssigkeit fünf Minuten einwirken.
 - Spülen Sie gründlich mit klarem Wasser nach.
Stellen Sie sicher, dass die Reinigungsflüssigkeit mit dem Bleichmittel komplett abgewaschen ist. Anderenfalls kann das Tuch beschädigt werden.
 - Lassen Sie das Tuch trocknen.

**HINWEIS**

Der Hersteller empfiehlt:

Verwenden Sie zur Reinigung des Tuchs den Dometic Markisenreiniger (Art.-Nr. 9600000165, erhältlich über Ihren Service-Partner).

8.2 Schmieren

- ▶ Schmieren Sie bei Bedarf die Gelenke der Markise mit einem Parafinwachs, Teflon- oder Silikonöl.

8.3 Kontrollieren

**WARNUNG!**

Benutzen Sie die Markise nicht, wenn Einstellungen oder Reparaturen notwendig sind.

Wenn Sie Beschädigungen feststellen, wenden Sie sich bitte an den Service-Partner im jeweiligen Land (Adressen siehe Rückseite der Anleitung).

**HINWEIS**

Dometic Zubehör wie Dichtungen und Schaumstoffbänder nutzen sich mit der Zeit ab. Dies ist kein Hinweis auf eine schlechte Qualität. Um die Funktion dieser Teile sicherzustellen, empfiehlt Dometic, Gummidichtungen und Schaumstoffbänder alle 5 Jahre auszutauschen.

- ▶ Untersuchen Sie die Markise regelmäßig auf Unwuchten und Abnutzung sowie auf Beschädigungen an kritischen Teilen.

- ▶ Kontrollieren Sie die Markise regelmäßig:
 - Ist das Tuch unbeschädigt?
 - Sind die Arme und die Frontleiste unbeschädigt und ohne Verschleißspuren?
 - Schließt die Markise korrekt?

8.4 Schrauben der Schultergelenke nachziehen

Die Schrauben am Schultergelenk müssen nach ersten Belastungen nachgezogen werden:

- nach dem ersten Urlaub mit Markisennutzung
- nach 20000 km Fahrleistung oder sechs Monaten nach Einbau der Markise (je nachdem, was zuerst eintrifft)

Außerdem sollten die Schrauben am Schultergelenk bei der regelmäßigen Fahrzeuginspektion kontrolliert werden.

Wenden Sie sich zum Nachziehen der Schrauben an Ihren Service-Partner.

Anweisung für den Service (Abb. 24, Seite 11)



ACHTUNG!

Die Markisenarme müssen lastfrei sein. Dadurch wird verhindert, dass sich die Schrauben beim Anziehen verziehen.

- ▶ Heben Sie die Frontleiste leicht an, damit die Gelenke lastfrei sind.
- ▶ Ziehen Sie die Schrauben mit 15 – 25 Nm nach.

8.5 Kleine Löcher im Tuch flicken

Kleine Löcher im Tuch oder Stellen, an denen sich die Beschichtung löst, können Sie selber flicken:

- ▶ Verreiben Sie mit einem Baumwolllappen rund um die beschädigte Stelle ein bisschen flüssiges Vinylpflaster (Art.-Nr. 9103104018, erhältlich über Ihren Service-Partner).
- ✓ Das flüssige Vinylpflaster löst die Beschichtung an. Die Beschichtung schließt das Loch beim Trocknen.
- ▶ Warten Sie, bis die Stelle getrocknet ist, bevor Sie die Markise wieder einfahren.

9 Störungsbeseitigung



HINWEIS

Wenn Sie Störungen nicht mit Hilfe der folgenden Tabelle beseitigen können, wenden Sie sich bitte an den Service-Partner im jeweiligen Land (Adressen siehe Rückseite der Anleitung).

Störung	Mögliche Ursache	Lösungsvorschlag
Nur PW1500/PW1750: Der Motor reagiert nicht auf die Fernbedienung.	Die Batterie der Fernbedienung ist leer.	Drücken Sie kurz eine der beiden Tasten \triangle oder ∇ . Wenn die LED der Fernbedienung nicht leuchtet, ist die Batterie leer. Ersetzen Sie die Batterie, siehe Kapitel „Batterien der Fernbedienung und des Wandschalters austauschen (nur PW1500/PW1750, optional)“ auf Seite 44.
	Die Fernbedienung ist nicht oder nicht mehr richtig auf den Motor eingestellt.	Lernen Sie die Fernbedienung neu an, siehe Montageanleitung.
	Keine Versorgungsspannung vorhanden	Prüfen Sie die elektrischen Verbindungen.
	Der Motor ist defekt.	Fahren Sie die Markise manuell ein und wenden Sie sich an den Service-Partner im jeweiligen Land.

10 Gewährleistung

Es gilt die gesetzliche Gewährleistungsfrist. Sollte das Produkt defekt sein, wenden Sie sich bitte an Ihren Fachhändler oder an die Niederlassung des Herstellers in Ihrem Land (siehe dometic.com/dealer).

Bitte senden Sie bei einem Reparatur- bzw. Garantieantrag folgende Unterlagen mit dem Produkt ein:

- eine Kopie der Rechnung mit Kaufdatum,
- einen Reklamationsgrund oder eine Fehlerbeschreibung.

11 Entsorgung

- Geben Sie das Verpackungsmaterial möglichst in den entsprechenden Recycling-Müll.



Wenn Sie das Produkt endgültig außer Betrieb nehmen, informieren Sie sich bitte beim nächsten Recyclingcenter oder bei Ihrem Fachhändler über die zutreffenden Entsorgungsvorschriften.


12 Technische Daten

PerfectWall PW1000					
Breite:	2,6 m	3 m	3,5 m	4 m	4,5 m
Auszug:	2 m	2,5 m			
Gewicht:	18,6 kg	21 kg	24 kg	27 kg	30 kg

PerfectWall PW1500				
Breite:	1,5 m	2,6 m	3 m	3,5 m
Auszug:	1 m	2 m	2,5 m	2,5 m / 2,75 m
Gewicht:	12 kg	18 kg	21 kg	24 kg

PerfectWall PW1500				
Breite:	4 m	4,5 m	5 m	5,5 m
Auszug:	2,5 m / 2,75 m			
Gewicht:	27 kg	30 kg	33 kg	36 kg

PerfectWall PW1750			
Breite:	3 m	3,5 m	4 m
Auszug:	2,5 m		
Gewicht:	26 kg	30 kg	33 kg

12-V-Motor (nur PW1500 und PW1750)	
Anschlussspannung:	12 V $\overline{\text{---}}$ (11 – 15 V)
Stromstärke:	7 A
Ausgangsleistung:	84 W
Drehmoment:	35 Nm
Prüfung/Zertifikat:	

Veillez lire et suivre attentivement l'ensemble des instructions, directives et avertissements figurant dans ce manuel afin de vous assurer que vous installez, utilisez et entretenez le produit correctement à tout moment. Ces instructions DOIVENT rester avec ce produit.

En utilisant le produit, vous confirmez par la présente que vous avez lu attentivement l'ensemble des instructions, directives et avertissements et que vous comprenez et acceptez de respecter les modalités et conditions énoncées dans le présent document. Vous acceptez d'utiliser ce produit uniquement pour l'usage et l'application prévus et conformément aux instructions, directives et avertissements figurant dans le manuel du produit, ainsi qu'à toutes les lois et réglementations applicables. Si vous ne lisez et ne respectez pas les instructions et les avertissements figurant dans ce manuel, vous risquez de vous blesser ou de blesser d'autres personnes, d'endommager votre produit ou d'endommager d'autres biens à proximité. Le présent manuel produit, y compris les instructions, directives et avertissements, ainsi que la documentation associée peuvent faire l'objet de modifications et de mises à jour. Pour obtenir des informations actualisées sur le produit, rendez-vous sur dometic.com.



AVERTISSEMENT !

- Ce manuel doit être lu et compris avant l'utilisation, le nettoyage et la maintenance.
- Ce produit doit être monté par un technicien agréé. Un montage erroné peut entraîner de graves blessures. Des modifications du produit peuvent s'avérer extrêmement dangereuses et provoquer de graves blessures ou des dommages de l'appareil.
- Ce manuel doit rester à proximité du produit. Le propriétaire doit le lire attentivement.

Sommaire

1	Signification des symboles	51
2	Consignes de sécurité	51
3	Contenu de la livraison	54
4	Accessoires	54
5	Usage conforme	55
6	Description technique	56
7	Utilisation du store extérieur	57
7.1	Remarques concernant le lieu d'arrêt du véhicule.	57
7.2	Déplier le store extérieur.	57
7.3	Replier le store extérieur.	60
7.4	Dérouler le store (uniquement PW1750)	62
7.5	Enrouler le store (uniquement PW1750)	62
7.6	Réglage du moteur 12 V (uniquement PW1500/PW1750, en option)	62
7.7	Remplacement des piles de la télécommande et du commutateur mural (uniquement PW1500/PW1750, en option)	63
8	Nettoyage et entretien	63
8.1	Nettoyage	63

8.2	Lubrification	64
8.3	Contrôle	64
8.4	Resserrage des vis de l'articulation	65
8.5	Réparer de petits trous dans le tissu	65
9	Guide de dépannage	66
10	Garantie	66
11	Mise au rebut	67
12	Caractéristiques techniques	68

1 Signification des symboles



AVERTISSEMENT !

Consigne de sécurité signalant une situation dangereuse qui peut entraîner la mort ou de graves blessures si elle n'est pas évitée.



AVIS !

Remarque signalant une situation qui peut entraîner des dommages matériels si elle n'est pas évitée.



REMARQUE

Informations complémentaires sur l'utilisation du produit.

2 Consignes de sécurité

Respectez les consignes de sécurité et autres prescriptions imposées par le constructeur du véhicule et par les professionnels de l'automobile.



AVERTISSEMENT ! Le non-respect de ces mises en garde peut entraîner des blessures graves, voire mortelles.

Risque pour la santé

- Vérifiez avant le départ que le store extérieur est complètement replié. Ne déplacez jamais le véhicule lorsque le store extérieur est ouvert.
- Ne conduisez jamais lorsque la manivelle est accrochée. Retirez la manivelle avant de partir.

- Ne conduisez pas le véhicule lorsque le tissu est endommagé ou déchiré, même si le store extérieur est correctement fermé ! Les bras du store extérieur sont maintenus par le tissu. Si le tissu se déchire pendant la conduite, le store extérieur risque de sortir d'un coup. Cela peut entraîner de graves blessures. Bloquez le store extérieur de telle sorte qu'il ne puisse se déplier soudainement et de manière inattendue pendant le trajet.
- **N'ouvrez pas** le store extérieur pendant le trajet.
- Veillez à ce que de l'eau ou de la neige ne s'accumule pas sur le tissu. Cela pourrait endommager le store extérieur ou casser les bras du store extérieur et provoquer de graves blessures ou la mort.
- Ne vous approchez pas du store extérieur,
 - s'il est resté ouvert par fort vent,
 - si des flaques d'eau se sont formées dessus,
 - si de la neige s'est accumulée,
 - s'il y a beaucoup de saletés sur la toile du store.Le store extérieur peut se déplacer de manière inattendue, devenir instable et se courber ou se casser.
- Cet appareil peut être utilisé par des enfants âgés de 8 ans et plus et des personnes ayant des capacités physiques, sensorielles ou mentales réduites ou un manque d'expérience et de connaissances, s'ils sont sous surveillance ou ont reçu des instructions sur l'utilisation de l'appareil en toute sécurité et comprennent les risques impliqués.
- Les enfants doivent être surveillés pour s'assurer qu'ils ne jouent pas avec l'appareil.

Risque d'électrocution

- **En option pour PW1500/PW1750 :** Si le câble de raccordement du store extérieur est endommagé, il doit être remplacé par un expert.
- **En option pour PW1500/PW1750 :** Débranchez l'alimentation électrique à l'aide de l'interrupteur marche / arrêt avant de nettoyer le véhicule à proximité du store extérieur ou de nettoyer le store extérieur lui-même.
- **En option pour PW1500/PW1750 : Les appareils électriques ne sont pas des jouets pour enfants.**
Conservez la télécommande hors de portée des enfants. Assurez-vous que les enfants ne puissent pas jouer avec l'interrupteur mural (accessoire).



ATTENTION ! Le non-respect de ces mises en garde peut entraîner des blessures légères ou de gravité modérée.

Risque pour la santé

- **N'ouvrez pas** le store extérieur en cas de fort vent ou de fortes chutes de neige.
- Repliez le store extérieur en cas de prévision de fort vent, de forte pluie ou de fortes chutes de neige.
- Ne laissez pas le store extérieur déplié sans surveillance. Repliez le store extérieur avant de quitter votre emplacement.
- Lorsque vous faites des grillades sur des flammes nues, restez à distance du store extérieur. Le tissu peut être endommagé par la chaleur ou même prendre feu.
- Ne touchez pas aux pièces mobiles pendant le fonctionnement du store extérieur. Il y a un risque de blessures dues aux pièces mobiles.
- **En option pour PW1500/PW1750 :** Ne faites fonctionner le store extérieur que lorsque vous pouvez voir le produit directement de l'extérieur



AVIS ! Risque d'endommagement

- Installez le camping-car ou la caravane de telle sorte qu'aucune saleté (branches, feuilles, etc.) ne puisse tomber sur le tissu.
- Le tissu du store extérieur ne doit pas pendre, il doit toujours être bien tendu. Si le tissu pend, il peut frotter contre les bras et être endommagé.
Pour les longs stores, le tissu ne doit pas pendre au milieu.
- Ne repliez le store extérieur que lorsqu'il n'y a pas de saletés (branches, feuilles, etc.) sur le tissu. Le store extérieur risquerait sinon d'être endommagé.
- Maintenez le store extérieur propre afin d'éviter des accrocs, des taches et des moisissures.
- S'il est mouillé, ne repliez le store extérieur que pour des raisons de sécurité. Dépliez-le dès que possible. Dans le cas contraire, des moisissures ou des taches pourraient se former, ou la couleur pourrait pâlir.
- Ne courbez jamais un bras du store extérieur ou l'avant du store extérieur vers le bas pour que l'eau s'écoule. Le store extérieur risquerait de se tordre et son fonctionnement serait affecté.
- N'accrochez pas d'objets au store extérieur, ni à l'avant, ni aux bras du store extérieur.

- N'utilisez pas de sprays (p. ex. spray contre les insectes, sprays pour les cheveux) à proximité du store extérieur. Cela salit le tissu et l'effet hydrophobe du tissu risquerait de disparaître.
- Si après le montage du store extérieur il ne reste pas d'espace suffisant au-dessus de la porte, la porte doit rester fermée pendant que le store extérieur est déplié ou replié, afin d'éviter le contact de la porte avec les bras ou le rail de guidage.
L'espace libre nécessaire dépend du type de construction de la porte (largeur de la porte, porte battante ou coulissante) ainsi que de l'angle d'inclinaison réglé pour le store extérieur.

3 Contenu de la livraison

Quantité	Description
1	Store extérieur
1	Manivelle (uniquement les stores extérieurs sans moteur)
1	Tendeur (uniquement pour les stores extérieurs de plus de 4 m de long)
1	Télécommande (uniquement PW1500/PW1750, en option)
1	Commutateur du store extérieur (uniquement PW1500/PW1750, en option)
4	Sardine
1	Manuel d'utilisation
1	Instructions de montage

4 Accessoires

Disponibles comme accessoires (non compris dans la livraison) :

Description

TieDown Kit

Sangle permettant de tendre le store extérieur

CampRoom

Face avant et côtés d'auvent pour différents modèles avec pieds de support en différentes tailles

Description

RainProtect

Façade et côtés disponibles en différentes tailles

SunProtect

Façade et côtés disponibles en différentes tailles

Rollo + (pas pour PW1750)

Store à enrouleur

Dometic Light LK120

Kit d'éclairage DEL avec télécommande, à monter sur les bras du store extérieur

LED LightStrip

Bande de LED disponible en différentes longueurs pour une installation sur le dessous du store extérieur

Profil de LED

Éclairage à LED disponible en différentes longueurs pour une installation sur le dessous des stores extérieurs à montage mural

Nettoyant pour stores extérieurs

Nettoyant spécial pour stores extérieurs

Repair Kit

Patch de réparation pour stores extérieurs

5 Usage conforme

Les PerfectWall PW1000, PW1500 et PW1750 sont des stores extérieurs parfaitement adaptés pour le montage sur les camping-cars ou caravanes.

Les stores extérieurs doivent être utilisés à l'arrêt uniquement.

Ce produit convient uniquement à l'usage et à l'application prévus, conformément au présent manuel d'instructions.

Ce manuel fournit les informations nécessaires à l'installation et/ou à l'utilisation correcte du produit. Une installation, une utilisation ou un entretien inappropriés entraînera des performances insatisfaisantes et une éventuelle défaillance.

Le fabricant décline toute responsabilité en cas de blessure ou de dommage résultant :

- d'un montage ou d'un raccordement incorrect, y compris d'une surtension

- d'un entretien inadapté ou de l'utilisation de pièces de rechange autres que les pièces de rechange d'origine fournies par le fabricant
- des modifications apportées au produit sans autorisation explicite du fabricant ;
- des usages différents de ceux décrits dans le manuel.

Dometic se réserve le droit de modifier l'apparence et les spécifications produit.

6 Description technique

Les PerfectWall PW1000, PW1500 et PW1750 sont des stores extérieurs qui se déplient et se replient à l'aide d'une manivelle.

En option, les stores extérieurs PerfectWall PW1500 et PW1750 peuvent aussi être dépliés et repliés avec un moteur de 12 V commandé par interrupteur ou par télécommande.

Le store extérieur est fixé à la paroi du véhicule ou au sol par des montants.

Le store extérieur PW1750 dispose d'un store à enrouleur intégré dans le rail de guidage et qui peut être déplié pour la protection contre la pluie et le soleil.

Commandes de la télécommande (uniquement PW1500/PW1750, en option)

N° sur la fig. 1, page 3	Description
1	Replier le store extérieur
2	Stop
3	Déplier le store extérieur
4	Allume/éteint l'éclairage LED (accessoire)

Commandes de l'interrupteur (uniquement PW1500/PW1750, en option)

N° sur la fig. 1, page 3	Description
1	Replier le store extérieur
2	Stop
3	Déplier le store extérieur

7 Utilisation du store extérieur

Respectez les consignes de sécurité du chapitre « Consignes de sécurité », page 51.

7.1 Remarques concernant le lieu d'arrêt du véhicule



AVIS !

- Installez le véhicule de telle sorte qu'aucune saleté (branches, feuilles, etc.) ne puisse tomber sur le tissu.
- Maintenez le store extérieur propre afin d'éviter des accrocs, des taches et des moisissures.

7.2 Déplier le store extérieur

Déplier le store extérieur avec la manivelle



AVERTISSEMENT ! Risque de blessures.

Respectez une distance suffisante par rapport aux objets ou aux autres véhicules. Une fois le store extérieur déplié, la distance minimale avec les autres objets ou véhicules, tout autour du store extérieur, doit être de 40 cm.

- Insérez la manivelle dans le logement du store extérieur (fig. **2**, page 3).
- Tournez la manivelle jusqu'à ce que le store extérieur soit déplié d'environ 1,5 m (fig. **3**, page 4).
- Insérez complètement le montant droit dans le cache avant, de sorte que vous puissiez le déplacer librement (fig. **5**, page 5).
- Tournez le montant de droite sur le côté (fig. **5**, page 5).
- Rabattez le montant droit vers le bas et posez-le sur le sol (fig. **6**, page 5).
- Réglez le montant sur la hauteur souhaitée (fig. **7**, page 6).
- Rabattez le levier du montant vers le haut pour fixer le montant (fig. **8**, page 6).
- Repliez l'autre montant de la même manière.
- Tournez la manivelle jusqu'à ce que le store extérieur soit déplié dans la position souhaitée. Remplacez les montants à la verticale sous le rail de guidage, tous les 30 cm, de sorte que le store extérieur soit maintenu en toute sécurité à tout moment.

- Tournez la manivelle d'environ 1/4 de tour dans le sens inverse, afin que le tissu soit tendu.



AVIS ! Attention aux dommages.

Le tissu du store extérieur ne doit pas pendre, il doit toujours être bien tendu. Si le tissu pend, il peut frotter contre les bras et être endommagé. Pour les longs stores, le tissu ne doit pas pendre au milieu.

- Retirez la manivelle du logement du store extérieur.

Déplier le store extérieur à l'aide d'un moteur 12 V (uniquement PW1500/PW1750, en option)



AVERTISSEMENT ! Risque de blessures.


Respectez une distance suffisante par rapport aux objets ou aux autres véhicules. Une fois le store extérieur déplié, la distance minimale avec les autres objets ou véhicules, tout autour du store extérieur, doit être de 40 cm.



REMARQUE

Uniquement pour l'utilisation à l'aide de la télécommande

- Lorsque le véhicule est démarré, le store extérieur se replie automatiquement. Lorsque le véhicule est en marche, le store extérieur est bloqué et ne peut pas être déplié.
- Le récepteur émet un bip sonore quand il est allumé.
- Le fonctionnement de la télécommande peut être affecté par des perturbations radioélectriques lorsqu'un autre appareil se trouvant à proximité utilise la même fréquence.
- Gardez la télécommande dans un endroit sûr pendant que vous conduisez. L'aimant dans le support n'est pas conçu pour de fortes vibrations, comme le freinage brusque.

- Actionnez le bouton  du commutateur ou de la télécommande jusqu'à ce que le store extérieur soit déplié d'environ 1,5 m (fig. **4**, page 4).
- Insérez complètement le montant droit dans le cache avant, de sorte que vous puissiez le déplacer librement (fig. **5**, page 5).
- Tournez le montant de droite sur le côté (fig. **5**, page 5).
- Rabattez le montant droit vers le bas et posez-le sur le sol (fig. **6**, page 5).
- Réglez le montant sur la hauteur souhaitée (fig. **7**, page 6).
- Rabattez le levier du montant vers le haut pour fixer le montant (fig. **8**, page 6).

- ▶ Repliez l'autre montant de la même manière.
- ▶ Actionnez le bouton ▽ du commutateur ou de la télécommande jusqu'à ce que le store extérieur soit déplié à la position souhaitée. Remplacez les montants à la verticale sous le rail de guidage, tous les 30 cm, de sorte que le store extérieur soit maintenu en toute sécurité à tout moment.
- ▶ Actionnez le bouton ▽ du commutateur ou de la télécommande pour replier le store extérieur jusqu'à ce que le tissu soit tendu.



AVIS ! Attention aux dommages.

Le tissu du store extérieur ne doit pas pendre, il doit toujours être bien tendu. Si le tissu pend, il peut frotter contre les bras et être endommagé. Pour les longs stores, le tissu ne doit pas pendre au milieu.

Installation des montants au sol



AVERTISSEMENT ! Risque de blessures

- Posez le montant uniquement sur une surface solide.
- Assurez-vous que le montant ne puisse pas glisser.

- ▶ Placez le montant à la verticale sous le rail de guidage.
- ▶ Bloquez le montant avec des sardines (fig. **9**, page 6).
- ▶ Réglez un montant un peu plus bas afin que le rail de guidage soit un peu de travers. La pluie peut ainsi s'écouler directement (fig. **10**, page 6).

Fixation des montants sur le véhicule

Vous pouvez fixer le store extérieur directement sur votre véhicule, si vous avez monté les blocages pour les montants.

- ▶ Faites coulisser le cache du blocage vers le haut (fig. **11**, page 7).
- ▶ Suspendez les montants dans le blocage (fig. **11**, page 7).
- ▶ Faites coulisser le cache du blocage vers le bas (fig. **11**, page 7).
- ▶ Réglez un montant un peu plus bas afin que le rail de guidage soit un peu de travers. La pluie peut ainsi s'écouler directement (fig. **12**, page 7).

Montage du tendeur (fig. 13, page 7)

Pour les stores extérieurs d'une longueur de 4 m ou plus, il faut fixer un tendeur au milieu du store extérieur. Cela permet d'empêcher que le store extérieur ne pende.

- Repliez le tendeur.
- Insérez l'extrémité supérieure du tendeur dans le logement du bâti.
- Insérez l'autre extrémité du tendeur dans le logement du rail de guidage.

7.3 Replier le store extérieur



AVIS !

- Ne repliez le store extérieur que lorsqu'il n'y a pas de saletés (branches, feuilles, etc.) sur le tissu. Le store extérieur risquerait sinon d'être endommagé.
- Maintenez le store extérieur propre afin d'éviter des accrocs, des taches et des moisissures.
- Lorsque vous repliez le store extérieur, veillez à ce qu'aucune branche ou autre objet ne soit coincé.

- Retirez toutes les saletés (branches, feuilles, etc.) présentes sur le tissu.
- Détachez la fixation des montants (sardines ou blocage au niveau du véhicule).

Replier le store extérieur avec la manivelle

- Insérez l'extrémité supérieure de la manivelle dans le logement du store extérieur.
- Tournez la manivelle jusqu'à ce que le store extérieur ne soit plus déplié que d'environ 1,5 m. Remplacez les montants à la verticale sous le rail de guidage, tous les 30 cm, de sorte que le store extérieur soit maintenu en toute sécurité à tout moment.
- Rabattez le levier du montant droit vers le bas pour détacher le montant.
- Repliez complètement le montant.
- Rabattez le montant droit vers le haut.
- Tournez le montant de droite dans le rail de guidage.
- Faites glisser la partie inférieure du montant de droite dans le blocage du rail de guidage.
- Repliez l'autre montant de la même manière.



- ▶ Tournez la manivelle jusqu'à ce que le store extérieur soit complètement replié.
- ▶ Vérifiez que le store extérieur est complètement replié avant de partir. Le rail de guidage doit se trouver contre le bâti.
- ▶ Retirez la manivelle du logement du store extérieur.



AVIS ! Attention aux dommages.

Si le store extérieur est rétracté lorsqu'il est mouillé, déployez-le à nouveau dès que possible et laissez le tissu sécher. Si le tissu humide reste replié trop longtemps, il risque de moisir ou ses couleurs de pâlir.

Replier le store extérieur à l'aide d'un moteur de 12 V (uniquement PW1500/PW1750, en option)

- ▶ Actionnez le bouton  du commutateur ou de la télécommande jusqu'à ce que le store extérieur soit déplié d'environ 1,5 m seulement. Replacez les montants à la verticale sous le rail de guidage, tous les 30 cm, de sorte que le store extérieur soit maintenu en toute sécurité à tout moment.
- ▶ Rabattez le levier du montant droit vers le bas pour détacher le montant.
- ▶ Repliez complètement le montant.
- ▶ Rabattez le montant droit vers le haut.
- ▶ Tournez le montant de droite dans le rail de guidage.
- ▶ Faites glisser la partie inférieure du montant de droite dans le blocage du rail de guidage.
- ▶ Repliez l'autre montant de la même manière.
- ▶ Actionnez le bouton  du commutateur ou de la télécommande jusqu'à ce que le store extérieur soit complètement replié.
- ▶ Vérifiez que le store extérieur est complètement replié avant de partir. Le rail de guidage doit se trouver contre le bâti.



AVIS ! Attention aux dommages.

Si le store extérieur est rétracté lorsqu'il est mouillé, déployez-le à nouveau dès que possible et laissez le tissu sécher. Si le tissu humide reste replié trop longtemps, il risque de moisir ou ses couleurs de pâlir.

7.4 Dérouler le store (uniquement PW1750)

- ▶ Ouvrez le verrouillage au centre du rail de guidage (fig. **14**, page 8).
- ▶ Faites glisser les supports à droite et à gauche dans les rails du store (fig. **15**, page 8).
- ▶ Faites passer les sangles ou les attaches à travers les boucles des supports (fig. **15**, page 8).
- ▶ Tirez uniformément le store à deux mains le long des rails, vers le bas (fig. **16**, page 8).
La hauteur de rallonge maximale est de 1,2 m.
- ▶ Fixez les supports à droite et à gauche des montants (fig. **17**, page 9).
ou
- ▶ Fixez les attaches avec des sardines (fig. **18**, page 9).

7.5 Enrouler le store (uniquement PW1750)

- ▶ Défaites les fixations du store.
- ▶ Tirez le store vers le bas (fig. **19**, page 9).
- ✓ Le store s'enroule de lui-même autour du rail de guidage.
- ▶ Tirez les supports à droite et à gauche pour les retirer du rail (fig. **20**, page 10).
- ▶ Fermez le verrouillage au centre du rail de guidage (fig. **21**, page 10).



AVIS ! Attention aux dommages.

Si le store a été enroulé alors qu'il était mouillé, déroulez-le dès que possible et laissez le tissu sécher. Si le tissu humide reste replié trop longtemps, il risque de moisir ou ses couleurs de pâlir.

7.6 Réglage du moteur 12 V (uniquement PW1500/PW1750, en option)



REMARQUE

Le moteur 12 V est prémonté dans l'arbre de la toile.

- ▶ Si le store extérieur ne se ferme ou ne s'ouvre plus complètement, réglez le moteur 12 V (fig. **22**, page 10).

7.7 Remplacement des piles de la télécommande et du commutateur mural (uniquement PW1500/PW1750, en option)



REMARQUE

Si la LED de la télécommande **ne s'allume pas** après un appui sur un des boutons, la pile de la télécommande est usée.

- ▶ Ouvrez le boîtier (fig. **23** 1, page 11).
- ▶ Retirez la pile usée du support.
- ▶ Insérez une nouvelle pile (type CR2450 pour la télécommande à distance, type CR2430 pour l'interrupteur mural, fig. **23** 2, page 11) dans le support avec la borne positive vers le haut.
- ▶ Remontez la télécommande ou l'interrupteur mural.



Protégez l'environnement !

Les piles et les batteries usagées ne sont pas des déchets ménagers. Rapportez les piles défectueuses ou les batteries usagées à votre revendeur ou à un centre de collecte.

8 Nettoyage et entretien

8.1 Nettoyage



AVIS ! Attention aux dommages.

- Ne nettoyez **jamais** le store extérieur avec un nettoyeur à haute pression.
 - N'utilisez ni produits abrasifs ni objets durs pour le nettoyage, ceux-ci pouvant endommager le produit.
- ▶ Retirez toute saleté (branches, feuilles, etc.) se trouvant sur le tissu afin d'éviter des accrocs, des taches et des moisissures. En outre, le store extérieur peut être endommagé lorsqu'il sera replié.

- ▶ Nettoyez régulièrement le tissu du store extérieur pour retirer la poussière et la saleté :
 - Pour ce faire, utilisez de l'eau contenant 30 g de détergent et 30 g d'agent blanchissant pour 10 litres d'eau.
 - Savonnez le tissu avec cette solution et laissez le liquide agir pendant cinq minutes.
 - Rincez soigneusement à l'eau claire.Assurez-vous que la solution contenant de l'agent blanchissant est complètement rincée. Le tissu pourrait sinon être endommagé.
- Laissez sécher le tissu.

**REMARQUE**

Le fabricant recommande :
pour le nettoyage du tissu, utilisez le détergent pour stores extérieurs Dometic (n° d'art. 9600000165, disponible auprès de votre partenaire de service après-vente).

8.2 Lubrification

- ▶ En cas de besoin, lubrifiez les articulations du store extérieur avec une cire de paraffine ou de l'huile au téflon ou au silicone.

8.3 Contrôle

**AVERTISSEMENT !**

N'utilisez pas le store extérieur si des réglages ou des réparations sont nécessaires.

Si vous constatez des dommages, veuillez vous adresser à un de nos partenaires de service présent dans votre pays (voir adresses au dos du présent manuel).

**REMARQUE**

Les accessoires Dometic tels que les joints d'étanchéité ou les bandes de mousse sont soumis à l'usure environnementale et à la déchirure. Cela n'est pas une preuve de mauvaise qualité. Pour garantir le fonctionnement de ces pièces, Dometic recommande le remplacement des joints d'étanchéité en caoutchouc et des bandes de mousse tous les 5 ans.

- ▶ Vérifiez régulièrement que le store extérieur n'est pas déséquilibré, usé ou endommagé à des endroits critiques.

- ▶ Contrôlez régulièrement le store extérieur :
 - Le tissu est-il intact ?
 - Les bras et le rail de guidage sont-ils intacts et sans traces d'usure ?
 - Le store extérieur se ferme-t-il correctement ?

8.4 Resserrage des vis de l'articulation

Les vis de l'articulation doivent être resserrées après les premières sollicitations :

- Après les premières vacances au cours desquelles le store extérieur a été utilisé
- Après 20 000 km ou six mois après le montage du store extérieur (selon ce qui se produit en premier)

Les vis de l'articulation doivent par ailleurs être contrôlées lors de l'inspection du véhicule effectuée régulièrement.

Adressez-vous à votre partenaire de service pour le resserrage des vis.

Consignes pour l'entretien (fig. 24, page 11)



AVIS !

Les bras du store extérieur ne doivent supporter aucune charge. Il s'agit d'empêcher le couple de serrage des vis d'être faussé.

- ▶ Soulevez légèrement le rail de guidage pour que la charnière ne supporte pas de charge.
- ▶ Resserrez les vis à 15 – 25 Nm.

8.5 Réparer de petits trous dans le tissu

Vous pouvez réparer vous-même de petits trous dans le tissu ou les endroits où le revêtement se défait :

- ▶ Avec un chiffon en coton, étalez un peu de liquide de réparation au vinyle (n° d'art. 9103104018, disponible auprès de votre partenaire de service) autour de l'endroit endommagé.
- ✓ Le liquide de réparation au vinyle corrode le revêtement. En séchant, le revêtement referme le trou.
- ▶ Attendez que l'endroit soit sec avant de replier le store extérieur.

9 Guide de dépannage



REMARQUE

Si vous n'êtes pas en mesure de remédier à un défaut à l'aide du tableau ci-dessous, veuillez contacter le partenaire de service correspondant dans votre pays (voir au verso du manuel pour l'adresse).

Panne	Cause possible	Solution proposée
PW1500/PW1750 uniquement : Le moteur ne répond pas à la télécommande.	La pile de la télécommande est usée.	Appuyez brièvement sur une des touches \triangle ou ∇ . Si la LED de la télécommande ne s'allume pas, la pile est usée. Changez la pile (voir chapitre « Remplacement des piles de la télécommande et du commutateur mural (uniquement PW1500/PW1750, en option) », page 63).
	La télécommande n'est plus ou pas correctement réglée sur le moteur.	Reprogrammez la télécommande, voir les instructions de montage.
	Pas d'alimentation électrique disponible.	Vérifiez les raccordements électriques.
	Le moteur est défectueux.	Repliez le store extérieur manuellement et contactez le partenaire de service après-vente dans le pays correspondant.

10 Garantie

La période de garantie légale s'applique. Si le produit est défectueux, veuillez contacter votre revendeur ou la filiale locale du fabricant (voir dometic.com/dealer).

Pour toutes réparations ou autres prestations de garantie, veuillez joindre à l'appareil les documents suivants :

- une copie de la facture avec la date d'achat
- un motif pour la réclamation ou une description du dysfonctionnement

11 Mise au rebut

- Jetez les emballages dans les conteneurs de déchets recyclables prévus à cet effet.



Lorsque vous mettez votre produit définitivement hors service, informez-vous auprès du centre de recyclage le plus proche ou auprès de votre revendeur spécialisé sur les prescriptions relatives au retraitement des déchets.


12 Caractéristiques techniques

PerfectWall PW1000					
Largeur :	2,6 m	3 m	3,5 m	4 m	4,5 m
Avancée :	2 m	2,5 m			
Poids :	18,6 kg	21 kg	24 kg	27 kg	30 kg

PerfectWall PW1500				
Largeur :	1,5 m	2,6 m	3 m	3,5 m
Avancée :	1 m	2 m	2,5 m	2,5 m / 2,75 m
Poids :	12 kg	18 kg	21 kg	24 kg

PerfectWall PW1500				
Largeur :	4 m	4,5 m	5 m	5,5 m
Avancée :	2,5 m / 2,75 m			
Poids :	27 kg	30 kg	33 kg	36 kg

PerfectWall PW1750			
Largeur :	3 m	3,5 m	4 m
Avancée :	2,5 m		
Poids :	26 kg	30 kg	33 kg

Moteur 12 V (uniquement PW1500 et PW1750)	
Tension de raccordement :	12 V $\overline{\text{---}}$ (11 – 15 V)
Intensité du courant :	7 A
Puissance de sortie :	84 W
Couple de serrage :	35 Nm
Contrôle/certification :	

Lea atentamente estas instrucciones y siga las indicaciones, directrices y advertencias incluidas en este manual para asegurarse de que instala, utiliza y mantiene correctamente el producto en todo momento. Estas instrucciones DEBEN permanecer con este producto.

Al utilizar el producto, usted confirma que ha leído cuidadosamente todas las instrucciones, directrices y advertencias, y que entiende y acepta cumplir los términos y condiciones aquí establecidos. Usted se compromete a utilizar este producto solo para el propósito y la aplicación previstos y de acuerdo con las instrucciones, directrices y advertencias establecidas en este manual del producto, así como de acuerdo con todas las leyes y reglamentos aplicables. La no lectura y observación de las instrucciones y advertencias aquí expuestas puede causarles lesiones a usted o a terceros, daños en el producto o daños en otras propiedades cercanas. Este manual del producto, incluyendo las instrucciones, directrices y advertencias, y la documentación relacionada, pueden estar sujetos a cambios y actualizaciones. Para obtener información actualizada sobre el producto, visite la página dometic.com.



¡ADVERTENCIA!

- Estas instrucciones deben haberse leído y comprendido antes del uso, limpieza y mantenimiento.
- Este producto debe montarlo un técnico cualificado. Un montaje incorrecto puede causar graves lesiones. Las modificaciones en el producto pueden ser muy peligrosas y causar lesiones graves o daños en el aparato.
- Esas instrucciones deben permanecer con el producto. El propietario debe leerlas con atención.

Índice

1	Explicación de los símbolos	70
2	Indicaciones de seguridad	70
3	Volumen de entrega	73
4	Accesorios	73
5	Uso previsto	74
6	Descripción técnica	75
7	Manejo del toldo	76
7.1	Indicaciones para el lugar del vehículo	76
7.2	Apertura del toldo	76
7.3	Cierre del toldo	79
7.4	Apertura de la persiana (solo PW1750)	80
7.5	Cierre de la persiana (solo PW1750)	81
7.6	Ajuste del motor de 12 V (solo PW1500/PW1750, opcional)	81
7.7	Sustitución de las baterías del control remoto y el interruptor de pared (solo PW1500/PW1750, opcional)	82
8	Limpieza y cuidado	82
8.1	Limpieza	82
8.2	Lubricación	83
8.3	Controles	83

8.4	Apretar los tornillos de las articulaciones de hombro	84
8.5	Remiendo de pequeños agujeros en la lona	84
9	Resolución de problemas	85
10	Garantía	85
11	Gestión de residuos.	86
12	Datos técnicos	87

1 Explicación de los símbolos



¡ADVERTENCIA!
Aviso de seguridad sobre una situación de peligro que, si no se evita, puede causar la muerte o heridas graves.



¡AVISO!
 Aviso sobre una situación que, si no se evita, puede causar daños materiales.



NOTA
 Información complementaria para el manejo del producto.

2 Indicaciones de seguridad

Tenga en cuenta las indicaciones de seguridad y la documentación suministrada por el fabricante del vehículo y los talleres de servicio.



¡ADVERTENCIA! El incumplimiento de estas advertencias podría acarrear la muerte o lesiones graves.

Riesgo para la salud

- Antes de empezar a conducir, compruebe que el toldo esté totalmente cerrado. Nunca mueva el vehículo con el toldo abierto.
- Nunca conduzca con la manivela colgada. Quite la manivela antes de empezar a conducir.

- No conduzca el vehículo si la lona está dañada o rasgada, incluso cuando el toldo se haya cerrado adecuadamente. La lona retiene los brazos del toldo. Si la lona se rasga durante la conducción, el toldo se abrirá de repente. Podrían producirse graves lesiones. Asegure el toldo de forma que no se abra de forma repentina e inesperada durante la conducción.
- **No** abra el toldo mientras conduzca.
- Evite que se acumule agua o nieve sobre la lona. De lo contrario, el toldo podría dañarse o los brazos del toldo podrían partirse y ocasionar lesiones graves o la muerte.
- No se acerque al toldo
 - cuando se ha dejado abierto con viento fuerte,
 - cuando se han formado bolsas de agua sobre él,
 - cuando se ha acumulado la nieve sobre él,
 - cuando haya sedimentos grandes sobre la lona del toldo.El toldo podría moverse de forma inesperada, perder la estabilidad necesaria y curvarse o romperse.
- Este aparato puede ser utilizado por menores a partir de 8 años y personas con capacidad física, sensorial o mental reducida, o con falta de experiencia y conocimientos, siempre que lo hagan bajo supervisión o hayan recibido instrucciones relativas al uso del mismo de manera segura y entendiendo los riesgos asociados.
- Controle a los niños para asegurarse de que no jueguen con el aparato.

Riesgo de electrocución

- **Opcional para PW1500/PW1750:** Si el cable de conexión del toldo está dañado, lo debe sustituir un experto.
- **Opcional para PW1500/PW1750:** Desconecte la alimentación mediante el interruptor on/off antes de limpiar el vehículo cerca del toldo o el propio toldo.
- **Opcional para PW1500/PW1750: Los aparatos eléctricos no son juguetes.**
Guarde el control remoto fuera del alcance de los niños. Evite que los niños jueguen con el interruptor de pared (accesorio).



¡ATENCIÓN! El incumplimiento de estas precauciones podría acarrear lesiones moderadas o leves.

Riesgo para la salud

- **No** abra el toldo cuando sople viento fuerte o nieve.

- Cierre el toldo cuando se espere un viento fuerte, lluvia o nieve abundante.
- No deje sin vigilancia el toldo abierto. Cierre el toldo antes de irse del lugar donde se encuentra.
- Manténgase alejado del toldo cuando haga una barbacoa. La lona podría dañarse por el calor o incendiarse.
- No toque las partes móviles mientras maneja el toldo. Existe el riesgo de que las piezas en movimiento produzcan lesiones.
- **Opcional para PW1500/PW1750:** Utilice el toldo únicamente cuando pueda ver el producto directamente desde el exterior.



¡AVISO! Peligro de daños

- Aparque la caravana o autocaravana de modo que no puedan caer ramas, hojas o semejantes sobre la lona.
- La lona del toldo no debe combarse por los bordes, sino que siempre debe estar tensa. Si la lona se comba, podría rozar contra los brazos y dañarse.
Es posible que la lona utilizada en los toldos largos se combe por la parte central.
- Cierre el toldo solamente después de asegurarse de que no hay escombros sobre la lona (ramas, hojas, etc.). de otro modo el toldo podría dañarse.
- Mantenga el toldo libre de suciedad, excoiaciones, manchas y moho.
- Recoja el toldo estando húmedo solo por razones de seguridad. En cuanto sea posible, vuelva a abrirlo. De lo contrario, se pueden formar moho y manchas o se puede perder el color.
- Nunca doble los brazos del toldo ni el protector para dejar escurrir agua del toldo. El toldo podría torcerse y su funcionamiento se vería afectado.
- No cuelgue objetos del toldo, ni de la protección delantera ni de los brazos del toldo.
- No utilice aerosoles (insecticidas, lacas para el pelo) cerca del toldo. Ensuciarán la lona o harán que ésta pierda su efecto hidrófobo.

- Si después de haber montado el toldo no queda suficiente espacio libre por encima de la puerta, esta deberá permanecer cerrada mientras se despliega o recoge el toldo para evitar que entre en contacto con los brazos o el carril guía.
El espacio libre necesario depende del tipo de puerta (ancho, puerta de bisagras, puerta corredera) y del ángulo de inclinación ajustado.

3 Volumen de entrega

Cantidad	Descripción
1	Toldo
1	Manivela (solo toldos sin motor)
1	Barra tensora (solo en toldos a partir de 4 m de longitud)
1	Control remoto (solo PW1500/PW1750, opcional)
1	Interruptor (solo PW1500, PW1750, opcional)
4	Piquetas
1	Instrucciones de uso
1	Instrucciones de montaje

4 Accesorios

Disponibles como artículos opcionales (no incluidos en el volumen de entrega):

Descripción
TieDown Kit Correas para amarrar el toldo
CampRoom Panel frontal y laterales de porche con toldo para diferentes modelos con patas de soporte de diferentes tamaños
RainProtect El panel frontal y los laterales están disponibles en diferentes tamaños
SunProtect El panel frontal y los laterales están disponibles en diferentes tamaños

Descripción

Rollo+ (no apto para PW1750)

Persiana

Dometic Light LK120

Kit de iluminación LED con control remoto para montaje en los brazos del toldo

LED LightStrip

Cinta de luces LED disponible en diferentes longitudes para la instalación en la parte inferior del toldo

Perfil LED

Luces LED disponibles en diferentes longitudes para la instalación en la parte inferior de toldos montados en la pared

Limpiador de toldo

Limpiador de toldo especial

Repair Kit

Parche de reparación de toldo

5 Uso previsto

Los toldos PerfectWall PW1000, PW1500 y PW1750 son aptos para su instalación en caravanas y autocaravanas.

Solo está permitido utilizar los toldos con el vehículo está detenido.

Este producto solo es apto para el uso previsto y la aplicación de acuerdo con estas instrucciones.

Este manual proporciona la información necesaria para la correcta instalación y/o funcionamiento del producto. Una instalación deficiente y/o un uso y mantenimiento inadecuados conllevan un rendimiento insatisfactorio y posibles fallos.

El fabricante no se hace responsable de ninguna lesión o daño en el producto ocasionados por:

- Un montaje o conexión incorrectos, incluido un exceso de tensión
- Un mantenimiento incorrecto o el uso de piezas de repuesto distintas de las originales proporcionadas por el fabricante
- Modificaciones realizadas en el producto sin el expreso consentimiento del fabricante
- Uso con una finalidad distinta de la descrita en las instrucciones

Dometic se reserva el derecho de cambiar la apariencia y las especificaciones del producto.

6 Descripción técnica

PerfectWall PW1000, PW1500 y PW1750 son toldos que pueden abrirse y cerrarse con ayuda de una manivela.

Los toldos PerfectWall PW1500 y PW1750 también se pueden abrir o cerrar de manera opcional con un motor de 12 V controlado por un interruptor o control remoto.

El toldo se asegura a la pared del vehículo o al suelo con apoyos.

El toldo PW1750 tiene una persiana integrada en el carril guía que se puede extraer como protección frente a la lluvia y el sol.

Controles del control remoto (solo PW1500/PW1750, opcional)

N.º en fig. 1, página 3	Descripción
1	Cierre del toldo
2	Parada
3	Apertura del toldo
4	Interruptor de luz LED on/off (accesorio)

Controles del interruptor (solo PW1500/PW1750, opcional)

N.º en fig. 1, página 3	Descripción
1	Cierre del toldo
2	Parada
3	Apertura del toldo

7 Manejo del toldo

Tenga en cuenta las indicaciones de seguridad en capítulo "Indicaciones de seguridad" en la página 70.

7.1 Indicaciones para el lugar del vehículo



¡AVISO!

- Aparque el vehículo de modo que no puedan caer ramas, hojas u objetos semejantes sobre la lona.
- Mantenga el toldo libre de suciedad, excoiraciones, manchas y moho.

7.2 Apertura del toldo

Extraer el toldo con la manivela



¡ADVERTENCIA! Peligro de sufrir lesiones.

Mantenga espacio suficiente con respecto a otros objetos o vehículos. Con el toldo extraído, debe haber un espacio mínimo de 40 cm con respecto a otros objetos o vehículos.

- Encastre la manivela en el alojamiento del toldo (fig. **2**, página 3).
- Gire la manivela hasta que el toldo se abra unos 1,5 m (fig. **3**, página 4).
- Introduzca completamente el apoyo derecho en la protección delantera, de forma que lo pueda mover libremente (fig. **5**, página 5).
- Gire el apoyo derecho para que quede a un lado (fig. **5**, página 5).
- Abata el apoyo derecho hacia abajo y colóquelo sobre el suelo (fig. **6**, página 5).
- Ajuste el apoyo a la altura deseada (fig. **7**, página 6).
- Abata la palanca del apoyo hacia arriba para sujetarlo (fig. **8**, página 6).
- Recoja el otro apoyo procediendo de la misma manera.
- Gire la manivela hasta que el toldo se abra hasta la posición deseada. Coloque los apoyos en posición vertical y por debajo del carril guía cada 30 cm para que el toldo permanezca asegurado en todo momento.
- Gire la manivela un cuarto de vuelta en dirección contraria para tensar la lona.



¡AVISO! Evite que se produzcan daños.

La lona del toldo no debe combarse por los bordes, sino que siempre debe estar tensa. Si la lona se comba, podría rozar contra los brazos y dañarse.

Es posible que la lona utilizada en los toldos largos se comba por la parte central.

- Descuelgue la manivela del alojamiento del toldo.

Apertura del toldo con un motor de 12 V (solo PW1500/PW1750, opcional)



¡ADVERTENCIA! Peligro de sufrir lesiones.

Mantenga espacio suficiente con respecto a otros objetos o vehículos. Con el toldo extraído, debe haber un espacio mínimo de 40 cm con respecto a otros objetos o vehículos.





NOTA

Solo para el funcionamiento con el control remoto:

- Cuando se arranca el vehículo, el toldo se cierra automáticamente. Mientras el vehículo está en marcha, el toldo está bloqueado y no se puede abrir.
- El receptor emite un sonido al encenderlo.
- El funcionamiento del control remoto puede verse afectado por radiointerferencias si otro aparato utiliza la misma frecuencia en sus proximidades.
- Mantenga el control remoto en un lugar seguro mientras conduce. El imán del soporte no se ha diseñado para soportar vibraciones fuertes como un frenado brusco.

- Pulse el botón ▽ del interruptor o la unidad de control remoto hasta que el toldo se abra unos 1,5 m (fig. **4**, página 4).
- Introduzca completamente el apoyo derecho en la protección delantera, de forma que lo pueda mover libremente (fig. **5**, página 5).
- Gire el apoyo derecho para que quede a un lado (fig. **5**, página 5).
- Abata el apoyo derecho hacia abajo y colóquelo sobre el suelo (fig. **6**, página 5).
- Ajuste el apoyo a la altura deseada (fig. **7**, página 6).
- Abata la palanca del apoyo hacia arriba para sujetarlo (fig. **8**, página 6).

- ▶ Recoja el otro apoyo procediendo de la misma manera.
- ▶ Pulse el botón  del interruptor o la unidad de control remoto hasta que el toldo se abra hasta la posición deseada. Coloque los apoyos en posición vertical y por debajo del carril guía cada 30 cm para que el toldo permanezca asegurado en todo momento.
- ▶ Accione el interruptor  del interruptor o el control remoto hasta que el toldo se cierre lo suficiente para tensar la lona.



¡AVISO! Evite que se produzcan daños.

La lona del toldo no debe combarse por los bordes, sino que siempre debe estar tensa. Si la lona se comba, podría rozar contra los brazos y dañarse.

Es posible que la lona utilizada en los toldos largos se combe por la parte central.

Colocar el apoyo en el suelo



¡ADVERTENCIA! Peligro de sufrir lesiones

- Coloque el apoyo exclusivamente sobre una base firme.
- Asegure el apoyo para que no resbale.

- ▶ Coloque los apoyos en posición vertical por debajo del carril guía.
- ▶ Asegure el apoyo con piquetas (fig. **9**, página 6).
- ▶ Coloque uno de los apoyos ligeramente más bajo para que el carril guía quede un poco inclinado. De esta forma, el agua de lluvia se descarga directamente (fig. **10**, página 6).

Sujetar el apoyo en el vehículo

Puede sujetar el toldo directamente en el vehículo si ha montado los bloqueos para los apoyos.

- ▶ Desplace hacia arriba la cubierta del bloqueo (fig. **11**, página 7).
- ▶ Enganche los apoyos en el bloqueo (fig. **11**, página 7).
- ▶ Desplace hacia abajo la cubierta del bloqueo (fig. **11**, página 7).
- ▶ Coloque uno de los apoyos ligeramente más bajo para que el carril guía quede un poco inclinado. De esta forma, el agua de lluvia se descarga directamente (fig. **12**, página 7).

Montaje de la barra tensora (fig. 13, página 7)

En toldos con una longitud de 4 m o más, debe montarse una barra tensora en el centro. De este modo se evita que el toldo se combe.

- Retraiga la barra tensora.
- Encastre el extremo superior de la barra tensora en el alojamiento del bastidor.
- Deslice el otro extremo de la barra tensora en el enganche del carril guía.

7.3 Cierre del toldo



¡AVISO!

- Cierre el toldo solamente después de asegurarse de que no hay escombros sobre la lona (ramas, hojas, etc.). de otro modo el toldo podría dañarse.
- Mantenga el toldo libre de suciedad, excoiaciones, manchas y moho.
- Cuando cierre el toldo, preste atención a que no se quede enganchada ninguna rama u otros objetos.

- Limpie las ramas, hojas o similares que haya en la lona.
- Suelte la sujeción de los apoyos (piquetas o bloqueo en el vehículo).

Recoger el toldo con la manivela

- Encastre el extremo superior de la manivela en el alojamiento del toldo.
- Gire la manivela hasta que el toldo se abra unos 1,5 m. Coloque los apoyos en posición vertical y por debajo del carril guía cada 30 cm para que el toldo permanezca asegurado en todo momento.
- Abata la palanca del apoyo derecho hacia arriba para soltarlo.
- Retraiga completamente el apoyo.
- Abata el apoyo derecho hacia arriba.
- Gire el apoyo derecho en el carril guía.
- Deslice la parte inferior del apoyo derecho en el bloqueo del carril guía.
- Recoja el otro apoyo procediendo de la misma manera.
- Gire la manivela hasta que el toldo esté completamente cerrado.



- ▶ Asegúrese de que el toldo esté completamente cerrado antes de comenzar a conducir. El carril guía debe estar justo contra la carcasa.
- ▶ Descuelgue la manivela del alojamiento del toldo.



¡AVISO! Evite que se produzcan daños.

Si el toldo se recoge estando mojado, vuelva a extenderlo y deje que la lona se seque en cuanto pueda. Si la lona húmeda permanece enrollada durante un período prolongado se enmohecerá y podría desteñirse.

Cierre del toldo con un motor de 12 V (solo PW1500/PW1750, opcional)

- ▶ Pulse el botón  del interruptor o la unidad de control remoto hasta que el toldo solo se abra aprox. 1,5 m. Coloque los apoyos en posición vertical y por debajo del carril guía cada 30 cm para que el toldo permanezca asegurado en todo momento.
- ▶ Abata la palanca del apoyo derecho hacia arriba para soltarlo.
- ▶ Retraiga completamente el apoyo.
- ▶ Abata el apoyo derecho hacia arriba.
- ▶ Gire el apoyo derecho en el carril guía.
- ▶ Deslice la parte inferior del apoyo derecho en el bloqueo del carril guía.
- ▶ Recoja el otro apoyo procediendo de la misma manera.
- ▶ Pulse el botón  del interruptor o la unidad de control remoto hasta que el toldo se cierre completamente.
- ▶ Asegúrese de que el toldo esté completamente cerrado antes de comenzar a conducir. El carril guía debe estar justo contra la carcasa.



¡AVISO! Evite que se produzcan daños.

Si el toldo se recoge estando mojado, vuelva a extenderlo y deje que la lona se seque en cuanto pueda. Si la lona húmeda permanece enrollada durante un período prolongado se enmohecerá y podría desteñirse.

7.4 Apertura de la persiana (solo PW1750)

- ▶ Abra el bloqueo situado en la mitad del carril guía (fig. **14**, página 8).
- ▶ Deslice los soportes derecho e izquierdo en el carril de la persiana (fig. **15**, página 8).

- ▶ Introduzca la cuerda o correa de sujeción a través de los lazos de los soportes (fig. **15**, página 8).
- ▶ Tire con ambas manos de la persiana hacia abajo de forma homogénea a lo largo del carril (fig. **16**, página 8).
La altura de extracción máxima es de 1,2 m.
- ▶ Fije los soportes derecho e izquierdo en los apoyos (fig. **17**, página 9).
o bien
- ▶ Fije la cuerda con piquetas (fig. **18**, página 9).

7.5 Cierre de la persiana (solo PW1750)

- ▶ Suelte las fijaciones de la persiana.
- ▶ Tire de la persiana hacia abajo (fig. **19**, página 9).
- ✓ La persiana rueda automáticamente por el carril guía.
- ▶ Tire de los soportes derecho e izquierdo sacándolos del carril (fig. **20**, página 10).
- ▶ Cierre el bloqueo situado en la mitad del carril guía (fig. **21**, página 10).



¡AVISO! Evite que se produzcan daños.

Si la persiana se ha enrollado mojada, ábrala nuevamente en cuanto sea posible y deje que se seque la lona. Si la lona húmeda permanece enrollada durante un período prolongado se enmohecerá y podría desteñirse.

7.6 Ajuste del motor de 12 V (solo PW1500/PW1750, opcional)



NOTA

El motor de 12 V está premontado en el eje de la lona.

- ▶ Si el toldo no se cierra o se abre del todo, ajuste el motor de 12 V (fig. **22**, página 10).

7.7 Sustitución de las baterías del control remoto y el interruptor de pared (solo PW1500/PW1750, opcional)



NOTA

Si la luz LED del control remoto **no** se enciende al pulsar uno de los botones, la batería del control remoto estará gastada.

- ▶ Abra la carcasa (fig. 23 1, página 11).
- ▶ Retire la batería antigua del soporte.
- ▶ Inserte una nueva batería (tipo CR2450 para el control remoto, tipo CR2430 para interruptor de pared, fig. 23 2, página 11) en el soporte con el polo positivo mirando hacia arriba.
- ▶ Vuelva a montar el control remoto o el interruptor de pared.



¡Proteja el medio ambiente!

Las baterías y pilas no son basura doméstica.

Entregue las baterías defectuosas o las pilas vacías en un establecimiento o depositelas en un contenedor especializado.

8 Limpieza y cuidado

8.1 Limpieza



¡AVISO! Evite que se produzcan daños.

- No limpie **nunca** el toldo con un limpiador de alta presión.
 - No emplee productos de limpieza corrosivos ni objetos duros, ya que pueden deteriorar el producto.
- ▶ Retire toda la suciedad (ramas, hojas o similares) que haya sobre la lona para evitar excoりaciones, manchas y moho. El toldo también puede resultar dañado al cerrarlo.

- ▶ Limpie periódicamente la lona del toldo para eliminar el polvo y la suciedad:
 - Para este fin, utilice 30 g de detergente y 30 g de lejía disueltos en 10 litros de agua.
 - Enjabone la lona con esta solución de limpieza y déjela actuar durante cinco minutos.
 - Enjuague minuciosamente con agua limpia.
 Asegúrese de haber eliminado por completo la solución de limpieza con la lejía. De otro modo, la lona podría dañarse.
 - Deje que la lona se seque.

**NOTA**

El fabricante recomienda:

Para la limpieza de la lona, utilice el limpiador de toldos de Dometic (n.º de art. 9600000165, adquirible a través de su socio de servicio).

8.2 Lubricación

- ▶ Si es necesario, lubrique las juntas del toldo con cera de parafina, aceite de teflón o aceite de silicona.

8.3 Controles

**¡ADVERTENCIA!**

No use el toldo cuando sean necesarios ajustes y reparaciones.

Si descubre daños, póngase en contacto con el socio de servicio del país correspondiente (las direcciones aparecen en el dorso de estas instrucciones).

**NOTA**

Los accesorios Dometic, como las juntas de estanqueidad o las tiras de espuma, están sujetos a un desgaste ambiental. Esto no significa que sean de mala calidad. Para garantizar el funcionamiento de estos elementos, Dometic recomienda sustituir las juntas de goma y las tiras de espuma cada 5 años.

- ▶ Inspeccione con regularidad el toldo en busca de desequilibrios y desgaste, así como daños en piezas críticas.
- ▶ Controle el toldo a intervalos regulares:
 - ¿Está intacta la lona?
 - ¿Están los brazos y el carril guía libres de daños y sin signos de desgaste?
 - ¿El toldo se cierra correctamente?

8.4 Apretar los tornillos de las articulaciones de hombro

Los tornillos de las articulaciones se deben volver a apretar después de haber sido sometidas a las primeras solicitaciones:

- después de las primeras vacaciones en que se utilice el toldo
- después de recorrer 20000 km o pasados seis meses del montaje del toldo (dependiendo del caso que se dé primero)

Además, deben controlarse los tornillos de la articulación en las inspecciones regulares del vehículo.

Diríjase a su socio de servicio para las tareas de apriete de tornillos.

Indicación para el servicio (fig. 24, página 11)



¡AVISO!

Los brazos del toldo deben estar exentos de carga. Así se evita una distorsión en el par de apriete de los tornillos.

- ▶ Levante ligeramente el carril guía para que la bisagra no soporte ninguna carga.
- ▶ Apriete los dos tornillos a 15 – 25 Nm.

8.5 Remiendo de pequeños agujeros en la lona

Usted puede remendar por sí mismo pequeños agujeros en la lona o puntos en los que se desprenda el recubrimiento:

- ▶ Utilice un trapo de algodón para frotar alrededor del punto dañado un poco de remiendo de vinilo líquido (n.º de art. 9103104018, disponible a través de su socio de servicio).
- ✓ El remiendo de vinilo líquido disuelve el recubrimiento. Al secarse, el recubrimiento cierra el agujero.
- ▶ Antes de volver a cerrar el toldo, espere a que el punto esté seco.

9 Resolución de problemas



NOTA

Si no puede rectificar un fallo con ayuda de la siguiente tabla, póngase en contacto con el socio de servicio adecuado en su país (vea la parte posterior del manual para consultar la dirección).

Fallo	Posible causa	Propuesta de solución
Solo PW1500/PW1750: El motor no responde al control remoto.	La batería del control remoto está gastada.	Pulse brevemente uno de los botones \triangle o ∇ . Si la luz LED del control remoto no se enciende, la batería está gastada. Cambie la batería, vea capítulo "Sustitución de las baterías del control remoto y el interruptor de pared (solo PW1500/PW1750, opcional)" en la página 82.
	El control remoto no está emparejado con el motor o lo está de manera incorrecta.	Re programe el control remoto; véase el manual de instalación.
	No hay alimentación de corriente.	Compruebe las conexiones eléctricas.
	El motor está averiado.	Cierre el toldo manualmente y póngase en contacto con el socio de servicio de su país.

10 Garantía

Se aplica el período de garantía estipulado por la ley. Si el producto está defectuoso, contacte con el punto de venta o con la sucursal del fabricante en su país (visite dometic.com/dealer).

Para tramitar la reparación y la garantía, incluya los siguientes documentos cuando envíe el aparato:

- Una copia de la factura con fecha de compra
- El motivo de la reclamación o una descripción de la avería

11 Gestión de residuos

- Deseche el material de embalaje en el contenedor de reciclaje correspondiente.



Cuando vaya a desechar definitivamente el producto, infórmese en el centro de reciclaje más cercano o en un comercio especializado sobre las normas pertinentes de eliminación de materiales.



12 Datos técnicos

PerfectWall PW1000					
Anchura:	2,6 m	3 m	3,5 m	4 m	4,5 m
Extraído:	2 m	2,5 m			
Peso:	18,6 kg	21 kg	24 kg	27 kg	30 kg

PerfectWall PW1500				
Anchura:	1,5 m	2,6 m	3 m	3,5 m
Extraído:	1 m	2 m	2,5 m	2,5 m / 2,75 m
Peso:	12 kg	18 kg	21 kg	24 kg

PerfectWall PW1500				
Anchura:	4 m	4,5 m	5 m	5,5 m
Extraído:	2,5 m / 2,75 m			
Peso:	27 kg	30 kg	33 kg	36 kg

PerfectWall PW1750			
Anchura:	3 m	3,5 m	4 m
Extraído:	2,5 m		
Peso:	26 kg	30 kg	33 kg

Motor de 12 V (solo PW1500 y PW1750)	
Tensión de conexión:	12 V $\overline{=}$ (11 - 15 V)
Intensidad de corriente:	7 A
Potencia de salida:	84 W
Par:	35 Nm
Inspección/certificados:	 

Leia atentamente as presentes instruções e siga todas as instruções, orientações e avisos incluídos neste manual, de modo a garantir a correta instalação, utilização e manutenção do produto. É OBRIGATÓRIO manter estas instruções junto com o produto.

Ao utilizar o produto, está a confirmar que leu atentamente todas as instruções, orientações e avisos, e que compreende e aceita cumprir os termos e condições estabelecidos no presente manual. Aceita utilizar este produto exclusivamente para o fim e a aplicação a que se destina e de acordo com as instruções, orientações e avisos estabelecidos neste manual, assim como de acordo com todas as leis e regulamentos aplicáveis. Caso não leia nem siga as instruções e os avisos aqui estabelecidos, poderá sofrer ferimentos pessoais ou causar ferimentos a terceiros e o produto ou outros materiais nas proximidades poderão ficar danificados. Este manual do produto, incluindo as instruções, orientações e avisos, bem como a documentação relacionada, podem estar sujeitos a alterações e atualizações. Para consultar as informações atualizadas do produto, visite dometic.com.



AVISO!

- Este manual tem de ser lido e compreendido antes de proceder à operação, limpeza ou manutenção do aparelho.
- Este produto tem de ser montado por um especialista. Uma montagem incorreta pode provocar ferimentos graves. Alterações ao produto podem ser extremamente perigosas e provocar ferimentos graves ou danificar o aparelho.
- Guarde este manual juntamente com o produto. O proprietário tem de lê-lo com atenção.

Índice

1	Explicação dos símbolos	89
2	Indicações de segurança	89
3	Material fornecido	92
4	Acessórios	92
5	Utilização adequada	93
6	Descrição técnica	94
7	Utilização do toldo	95
7.1	Nota relativa à localização do veículo	95
7.2	Abrir o toldo	95
7.3	Recolher o toldo	98
7.4	Desenrolar a persiana (apenas PW1750)	100
7.5	Enrolar a persiana (apenas PW1750)	100
7.6	Ajustar o motor de 12 V (apenas PW1500/PW1750, opcional) ..	101
7.7	Substituir as baterias do controlo remoto e do interruptor de parede (apenas PW1500/PW1750, opcional)	101
8	Limpeza e manutenção	102
8.1	Limpeza	102
8.2	Lubrificação	102

8.3	Verificação	103
8.4	Apertar os parafusos no encosto da tampa traseira.	103
8.5	Remendar pequenos furos na lona.	104
9	Resolução de falhas	105
10	Garantia	105
11	Eliminação	106
12	Dados técnicos	107

1 Explicação dos símbolos



AVISO!

Indicação de segurança sobre uma situação de perigo que pode levar à morte ou a ferimentos graves se não for evitada.



NOTA!

Indicação sobre uma situação que leva a danos materiais se não for evitada.



OBSERVAÇÃO

Informações complementares sobre a operação do produto.

2 Indicações de segurança

Tenha em atenção as indicações de segurança e as estipulações especificadas pelo fabricante do veículo e pelas oficinas de reparação.



AVISO! O incumprimento destes avisos poderá resultar em morte ou ferimentos graves.

Risco para a saúde

- Antes de iniciar a sua viagem, verifique se o toldo está completamente recolhido. Nunca desloque o veículo com o toldo aberto.
- Nunca conduza com a manivela inserida. Retire a manivela antes de iniciar a sua viagem.

- Não conduza o veículo se a lona estiver danificada ou rasgada, mesmo que o toldo tenha sido devidamente recolhido. Os braços do toldo são mantidos no devido lugar pela lona. Se a lona se rasgar durante a condução, o toldo pode soltar-se de repente. Tal pode originar ferimentos graves. Prenda o toldo de forma a que este não se possa abrir de repente e inesperadamente durante a condução.
- **Não** abra o toldo em andamento.
- Certifique-se de que não se acumula água ou neve na lona. Caso contrário, o toldo poderá ficar danificado ou os braços do toldo poderão cair e provocar ferimentos graves ou mesmo mortais.
- Não se aproxime do toldo
 - Se este tiver sido deixado aberto durante ventos fortes
 - Se se tiverem formado poças de água no mesmo
 - Se se tiver acumulado neve no mesmo
 - Se existirem destroços na lona do toldo.O toldo pode mover-se inesperadamente, tornar-se instável, dobrar ou romper.
- Este aparelho pode ser utilizado por crianças a partir dos 8 anos e pessoas com capacidades físicas, sensoriais ou mentais reduzidas ou sem experiência e conhecimento se forem supervisionadas ou receberem instruções sobre a utilização do aparelho de forma segura e compreenderem os perigos implicados.
- As crianças têm de ser supervisionadas, por forma a garantir que não brincam com o aparelho.

Risco de eletrocussão

- **Opcional para PW1500/PW1750:** Se o cabo de conexão do toldo estiver danificado, tem de ser substituído por um técnico especializado.
- **Opcional para PW1500/PW1750:** Desligue a fonte de alimentação por meio do interruptor de ligar/desligar antes de limpar o veículo junto do toldo ou o próprio toldo.
- **Opcional para PW1500/PW1750: Os aparelhos elétricos não são brinquedos.**
Guarde o controlo remoto fora do alcance das crianças. Impeça que as crianças brinquem com o interruptor de parede (acessórios).



PRECAUÇÃO! O incumprimento destas advertências poderá resultar em ferimentos ligeiros ou moderados.

Risco para a saúde

- **Não** abra o toldo na presença de ventos fortes ou de queda de neve.

- Recolha o toldo se forem previsíveis ventos fortes, chuva forte ou queda de neve.
- Não deixe o toldo aberto sem supervisão. Recolha o toldo antes de prosseguir viagem.
- Mantenha uma distância de segurança em relação ao toldo se fizer um churrasco ou fogo. A lona pode ficar danificada com o calor ou pegar fogo.
- Não toque em partes móveis enquanto estiver a operar o toldo. As partes móveis representam risco de lesões.
- **Opcional para PW1500/PW1750:** Utilize o toldo apenas se conseguir ver o produto diretamente do exterior.



NOTA! Risco de danos

- Estacione a autocaravana ou a caravana num local em que não exista o perigo de queda de fragmentos (ramos, folhas ou semelhantes) sobre a lona do toldo.
- A lona do toldo deve estar sempre bem esticada, sobretudo nas extremidades. Se a lona não estiver bem esticada, ela pode roçar nos braços do toldo e ficar danificada. Em toldos compridos, a lona pode ceder no centro.
- Recolha o toldo apenas quando não existirem quaisquer detritos (ramos, folhas ou semelhantes) sobre a lona. Caso contrário, o toldo poderá ficar danificado durante a recolha.
- Mantenha o toldo livre de sujidades para evitar riscos, manchas e bolor.
- Recolha o toldo molhado apenas se tal for necessário por motivos de segurança. Volte a abri-lo o mais rapidamente possível. Caso contrário, poderá ocorrer a formação de bolor ou manchas ou a cor poderá desbotar.
- Nunca dobre um braço do toldo ou o friso para baixo para escoar a água do toldo. Esta ação pode dobrar o toldo e limitar a sua funcionalidade.
- Não pendure objetos no toldo, na cobertura frontal nem nos braços do toldo.
- Não utilize qualquer tipo de spray (p. ex., spray repelente de insetos, laca para o cabelo) nas proximidades do toldo. A lona ficará suja ou poderá perder a sua impermeabilidade.

- Se, após a montagem do toldo, não houver espaço livre suficiente por cima da porta, esta terá de ficar fechada ao abrir ou recolher o toldo, para evitar um contacto da porta com os braços ou a calha condutora. O espaço livre necessário depende do tipo de construção da porta (largura da porta, porta basculante ou deslizante), assim como do ângulo de inclinação definido para o toldo.

3 Material fornecido

Quantidade	Descrição
1	Toldo
1	Manivela (apenas toldos sem motor)
1	Viga de tensão (apenas em toldos a partir de 4 m de comprimento)
1	Controlo remoto (apenas PW1500/PW1750, opcional)
1	Interruptor para toldo (apenas PW1500/PW1750, opcional)
4	Estacas
1	Manual de instruções
1	Instruções de montagem

4 Acessórios

Disponível como acessório (não incluído no material fornecido):

Descrição

TieDown Kit

Cintas para fixar o toldo

CampRoom

Friso frontal e paredes laterais do avançado para vários modelos com pernas de apoio em diversos tamanhos

RainProtect

Friso frontal e paredes laterais disponíveis em diversos tamanhos

SunProtect

Friso frontal e paredes laterais disponíveis em diversos tamanhos

Descrição

Rollo+ (exceto para PW1750)

Persiana

Dometic Light LK120

Kit de lâmpada LED com controlo remoto para montagem nos braços do toldo

Fita de luzes LED

Fita LED disponível em diversos comprimentos para montagem na parte inferior do toldo

Perfil LED

Iluminação LED disponível em diversos comprimentos para montagem na parte inferior dos toldos montados na parede

Agente de limpeza para toldos

Agente de limpeza especial para toldos

Repair Kit

Remendo para reparação de toldos

5 Utilização adequada

Os toldos PerfectWall PW1000, PW1500 e PW1750 são adequados para montagem em autocaravanas e caravanas.

Os toldos apenas podem ser utilizados com o veículo imobilizado.

Este produto destina-se exclusivamente à aplicação e aos fins pretendidos com base nestas instruções.

Este manual fornece informações necessárias para proceder a uma instalação e/ou a uma operação adequadas do produto. Uma instalação e/ou uma operação ou manutenção incorretas causarão um desempenho insatisfatório e uma possível avaria.

O fabricante não aceita qualquer responsabilidade por danos ou prejuízos no produto resultantes de:

- Montagem ou ligação incorreta, incluindo sobretensões
- Manutenção incorreta ou utilização de peças sobressalentes não originais fornecidas pelo fabricante
- Alterações ao produto sem autorização expressa do fabricante
- Utilização para outras finalidades que não as descritas no presente manual

A Dometic reserva-se o direito de alterar o design e as especificações do produto.

6 Descrição técnica

Os toldos PerfectWall PW1000, PW1500 e PW1750 podem ser abertos e recolhidos com a ajuda de uma manivela.

Os toldos PerfectWall PW1500 e PW1750 podem ainda ser abertos e recolhidos opcionalmente com um motor de 12 V, controlado através de um interruptor ou de um controlo remoto.

Os toldos são fixados na parede do veículo ou no solo mediante utilização de apoios.

O toldo PW1750 tem uma persiana integrada na calha condutora que pode ser puxada para proteger contra a chuva ou o sol.

Controlos do controlo remoto (apenas PW1500/PW1750, opcional)

N.º na fig. 1, página 3	Descrição
1	Recolher o toldo
2	Parar
3	Abrir o toldo
4	Ligar/desligar a iluminação LED (acessórios)

Controlos do interruptor (apenas PW1500/PW1750, opcional)

N.º na fig. 1, página 3	Descrição
1	Recolher o toldo
2	Parar
3	Abrir o toldo

7 Utilização do toldo

Respeite as indicações de segurança do capítulo “Indicações de segurança” na página 89.

7.1 Nota relativa à localização do veículo



NOTA!

- Estacione o veículo de modo a evitar a acumulação de detritos (ramos, folhas ou semelhantes) sobre a lona.
- Mantenha o toldo livre de sujidades para evitar riscos, manchas e bolor.

7.2 Abrir o toldo

Abrir o toldo com a manivela



AVISO! Perigo de ferimentos.

Mantenha uma distância suficiente em relação a objetos ou a outros veículos. Depois de aberto, o toldo deverá ficar a uma distância mínima de 40 cm em relação a outros objetos ou veículos, em todos os lados.

- ▶ Encaixe a manivela no orifício do toldo (fig. **2**, página 3).
- ▶ Rode a manivela e abra o toldo cerca de 1,5 m (fig. **3**, página 4).
- ▶ Una totalmente e com cuidado o apoio direito com o friso frontal, de modo a poder movê-lo livremente (fig. **5**, página 5).
- ▶ Rode o apoio direito para o lado (fig. **5**, página 5).
- ▶ Dobre o apoio direito para baixo e apoie-o no solo (fig. **6**, página 5).
- ▶ Regule o apoio para a altura pretendida (fig. **7**, página 6).
- ▶ Dobre a alavanca do apoio para cima para fixar os apoios (fig. **8**, página 6).
- ▶ Abra o outro apoio da mesma forma.
- ▶ Rode a manivela até o toldo ficar colocado na posição pretendida. Coloque os apoios sempre numa posição vertical debaixo da calha condutora, a cada 30 cm, de modo que o toldo esteja sempre seguro.
- ▶ Rode a manivela aprox. 1/4 de volta para trás para esticar a lona.

**NOTA! Perigo de danos.**

A lona do toldo deve estar sempre bem esticada, sobretudo nas extremidades. Se a lona não estiver bem esticada, ela pode roçar nos braços do toldo e ficar danificada.

Em toldos compridos, a lona pode ceder no centro.

- ▶ Retire a manivela do orifício do toldo.

Abrir o toldo com um motor de 12 V (apenas PW1500/PW1750, opcional)**AVISO! Perigo de ferimentos.**

Mantenha uma distância suficiente em relação a objetos ou a outros veículos. Depois de aberto, o toldo deverá ficar a uma distância mínima de 40 cm em relação a outros objetos ou veículos, em todos os lados.

**OBSERVAÇÃO****Apenas para utilização com o controlo remoto:**

- Quando o veículo começa a trabalhar, o toldo recolhe automaticamente. Enquanto o veículo estiver em funcionamento, o toldo fica bloqueado e não pode ser aberto.
 - O recetor emite um sinal sonoro quando é ligado.
 - O funcionamento do controlo remoto pode ser influenciado negativamente caso exista outro aparelho a utilizar a mesma frequência na proximidade.
 - Guarde o controlo remoto num local seguro enquanto estiver a conduzir. O íman do suporte não foi concebido para ser utilizado com vibrações fortes, como uma travagem brusca.
- ▶ Pressione o botão ▽ do interruptor ou do controlo remoto até o toldo ficar aberto aproximadamente 1,5 m (fig. 4, página 4).
 - ▶ Una totalmente e com cuidado o apoio direito com o friso frontal, de modo a poder movê-lo livremente (fig. 5, página 5).
 - ▶ Rode o apoio direito para o lado (fig. 5, página 5).
 - ▶ Dobre o apoio direito para baixo e apoie-o no solo (fig. 6, página 5).
 - ▶ Regule o apoio para a altura pretendida (fig. 7, página 6).
 - ▶ Dobre a alavanca do apoio para cima para fixar os apoios (fig. 8, página 6).
 - ▶ Abra o outro apoio da mesma forma.

- ▶ Pressione o botão ▽ do interruptor ou do controlo remoto até o toldo ficar aberto na posição desejada. Coloque os apoios sempre numa posição vertical debaixo da calha condutora, a cada 30 cm, de modo que o toldo esteja sempre seguro.
- ▶ Pressione o botão ▽ do interruptor ou do controlo remoto até o toldo ter recolhido o suficiente para esticar a lona.

**NOTA! Perigo de danos.**

A lona do toldo deve estar sempre bem esticada, sobretudo nas extremidades. Se a lona não estiver bem esticada, ela pode roçar nos braços do toldo e ficar danificada.

Em toldos compridos, a lona pode ceder no centro.

Colocar os apoios no solo**AVISO! Perigo de ferimentos**

- Coloque os apoios exclusivamente sobre uma superfície sólida.
- Fixe a posição dos apoios.

- ▶ Coloque os apoios na vertical sob a calha condutora.
- ▶ Fixe os apoios com estacas (fig. **9**, página 6).
- ▶ Regule um dos apoios para uma posição ligeiramente mais baixa para que a calha condutora fique inclinada. Assim, a chuva escorre mais facilmente (fig. **10**, página 6).

Fixar os apoios no veículo

Poderá fixar o toldo diretamente no seu veículo se tiver montados os sistemas de bloqueio dos apoios.

- ▶ Empurre para cima a cobertura do sistema de bloqueio (fig. **11**, página 7).
- ▶ Prenda os apoios no sistema de bloqueio (fig. **11**, página 7).
- ▶ Empurre para baixo a cobertura do sistema de fixação (fig. **11**, página 7).
- ▶ Regule um dos apoios para uma posição ligeiramente mais baixa para que a calha condutora fique inclinada. Assim, a chuva escorre mais facilmente (fig. **12**, página 7).

Montar a viga de tensão (fig. 13, página 7)

Em toldos com um comprimento de 4 metros ou superior, é necessário fixar uma viga de tensão no centro do toldo. Evita-se, assim, que o toldo ceda.

- ▶ Comprima a viga de tensão.
- ▶ Encaixe a extremidade superior da viga de tensão no dispositivo de retenção na caixa.
- ▶ Insira a outra extremidade da viga de tensão no dispositivo de retenção na calha condutora.

7.3 Recolher o toldo



NOTA!

- Recolha o toldo apenas quando não existirem quaisquer detritos (ramos, folhas ou semelhantes) sobre a lona. Caso contrário, o toldo poderá ficar danificado durante a recolha.
- Mantenha o toldo livre de sujidades para evitar riscos, manchas e bolor.
- Certifique-se de que não ficam presos quaisquer ramos ou outros objetos durante a recolha do toldo.

- ▶ Remova a sujidade (ramos, folhas ou afins) que se encontra sobre a lona.
- ▶ Solte a fixação dos apoios (estacas ou sistema de fixação no veículo).

Fechar o toldo com a manivela

- ▶ Encaixe a extremidade superior da manivela no orifício do toldo.
- ▶ Rode a manivela e abra o toldo apenas cerca de 1,5 metros. Coloque os apoios sempre numa posição vertical debaixo da calha condutora, a cada 30 cm, de modo que o toldo esteja sempre seguro.
- ▶ Dobre a alavanca do apoio direito para baixo para soltar o apoio.
- ▶ Una totalmente os apoios.
- ▶ Dobre o apoio direito para cima.
- ▶ Rode o apoio direito para dentro da calha condutora.
- ▶ Insira a parte inferior do apoio direito no sistema de bloqueio da calha condutora.
- ▶ Recolha o outro apoio da mesma forma.



- ▶ Rode a manivela até o toldo estar totalmente recolhido.
- ▶ Certifique-se de que o toldo está totalmente recolhido antes de iniciar a viagem. A calha condutora tem de estar bem encostada à caixa.
- ▶ Retire a manivela do orifício do toldo.



NOTA! Perigo de danos.

Se o toldo for recolhido molhado, abra-o novamente e deixe a lona secar assim que possível. Se a lona molhada permanecer enrolada durante um longo período, ocorrerá a formação de bolor e a lona pode desbotar.

Recolher o toldo com um motor de 12 V (apenas PW1500/PW1750, opcional)

- ▶ Pressione o botão  do interruptor ou do controlo remoto até o toldo ficar aberto apenas aproximadamente 1,5 metros. Coloque os apoios sempre numa posição vertical debaixo da calha condutora, a cada 30 cm, de modo que o toldo esteja sempre seguro.
- ▶ Dobre a alavanca do apoio direito para baixo para soltar o apoio.
- ▶ Una totalmente os apoios.
- ▶ Dobre o apoio direito para cima.
- ▶ Rode o apoio direito para dentro da calha condutora.
- ▶ Insira a parte inferior do apoio direito no sistema de bloqueio da calha condutora.
- ▶ Recolha o outro apoio da mesma forma.
- ▶ Pressione o botão  do interruptor ou do controlo remoto até que o toldo recolha completamente.
- ▶ Certifique-se de que o toldo está totalmente recolhido antes de iniciar a viagem. A calha condutora tem de estar bem encostada à caixa.



NOTA! Perigo de danos.

Se o toldo for recolhido molhado, abra-o novamente e deixe a lona secar assim que possível. Se a lona molhada permanecer enrolada durante um longo período, ocorrerá a formação de bolor e a lona pode desbotar.

7.4 Desenrolar a persiana (apenas PW1750)

- ▶ Abra o bloqueio ao centro da calha condutora (fig. **14**, página 8).
 - ▶ Insira os suportes à direita e à esquerda na calha da persiana (fig. **15**, página 8).
 - ▶ Insira cintas tensoras ou fios através dos laços dos suportes (fig. **15**, página 8).
 - ▶ Desloque para baixo a persiana com ambas as mãos na calha, uniformemente (fig. **16**, página 8).
A altura de extensão máxima é 1,2 m.
 - ▶ Fixe os suportes à direita e à esquerda com os apoios (fig. **17**, página 9).
- ou**
- ▶ Fixe os fios com estacas (fig. **18**, página 9).

7.5 Enrolar a persiana (apenas PW1750)

- ▶ Desaperte as fixações da persiana.
- ▶ Puxe a persiana para baixo (fig. **19**, página 9).
- ✓ A persiana enrola-se automaticamente na calha condutora.
- ▶ Puxe os suportes à direita e à esquerda para fora da calha (fig. **20**, página 10).
- ▶ Feche o bloqueio ao centro da calha condutora (fig. **21**, página 10).



NOTA! Perigo de danos.

Se a persiana tiver sido recolhida molhada, volte a desenrolá-la assim que possível e deixe secar a lona. Se a lona molhada permanecer enrolada durante um período de tempo mais prolongado, haverá formação de bolor e a lona pode desbotar.

7.6 Ajustar o motor de 12 V (apenas PW1500/PW1750, opcional)



OBSERVAÇÃO

O motor de 12 V está pré-montado no rolo.

- ▶ Se o toldo deixar de abrir ou fechar completamente, ajuste o motor de 12 V (fig. 22, página 10).

7.7 Substituir as baterias do controlo remoto e do interruptor de parede (apenas PW1500/PW1750, opcional)



OBSERVAÇÃO

Se o LED do controlo remoto **não** acender depois de premir um dos botões, a bateria do controlo remoto está descarregada.

- ▶ Abra a caixa (fig. 23 1, página 11).
- ▶ Retire a antiga bateria do suporte.
- ▶ Coloque uma nova bateria (tipo CR2450 para o controlo remoto, tipo CR2430 para o interruptor de parede, fig. 23 2, página 11) no suporte, com o polo positivo voltado para cima.
- ▶ Volte a montar o controlo remoto ou o interruptor de parede.



Proteja o meio ambiente!

As baterias e pilhas não devem ser eliminadas em conjunto com o lixo doméstico.

Entregue as baterias e pilhas danificadas ou gastas no ponto de compra ou num pilhão.

8 Limpeza e manutenção

8.1 Limpeza

**NOTA! Perigo de danos.**

- **Nunca** limpe o toldo com um aparelho de limpeza de alta pressão.
- Não utilize produtos de limpeza abrasivos ou objetos duros para a limpeza, pois estes podem danificar o produto.

- ▶ Remova todos os detritos (galhos, folhas ou semelhantes) da lona para evitar riscos, manchas e bolor. O toldo também pode ficar danificado quando está recolhido.
- ▶ Limpe a lona do toldo regularmente para remover o pó e a sujidade:
 - Para tal, utilize água com 30 ml de agente de limpeza e 30 ml de agente de branqueamento por 10 litros de água.
 - Ensaboe a lona com este líquido de limpeza e deixe atuar durante cinco minutos.
 - Depois, lave bem a lona com água limpa.
Certifique-se de que o detergente com o agente de branqueamento é completamente removido. Caso contrário, a lona pode ficar danificada.
 - Deixe a lona secar.

**OBSERVAÇÃO**

O fabricante recomenda:

Para limpar a lona, utilize o produto de limpeza para toldos Dometic (n.º de art. 9600000165, disponível através do seu parceiro de assistência técnica).

8.2 Lubrificação

- ▶ Se necessário, lubrifique as juntas do toldo com cera de parafina, óleo de teflon ou de silicone.

8.3 Verificação



AVISO!

Não utilize o toldo se for necessário efetuar ajustes ou reparações. Se detetar quaisquer danos, entre em contacto com um parceiro de assistência técnica no seu país (veja os endereços no verso do manual).



OBSERVAÇÃO

Os acessórios Dometic como juntas vedantes ou tiras de espuma estão sujeitos a desgaste ambiental. Isto não significa que tenham pouca qualidade. Para assegurar o funcionamento destas peças, a Dometic recomenda substituir os vedantes de borracha e as tiras de espuma de 5 em 5 anos.

- ▶ Verifique o toldo regularmente quanto a desequilíbrios e desgaste, bem como relativamente a danos em peças críticas.
- ▶ Verifique o toldo regularmente:
 - A lona está danificada?
 - Os braços e a calha condutora estão danificados e/ou existem vestígios de desgaste?
 - O toldo fecha corretamente?

8.4 Apertar os parafusos no encosto da tampa traseira

Os parafusos no encosto da tampa traseira têm de ser reapertados depois de terem sido submetidos a uma carga pela primeira vez:

- Após as primeiras férias com utilização do toldo
- Depois de conduzir 20 000 km ou seis meses após a montagem do toldo (o que ocorrer primeiro)

Os parafusos no encosto da tampa traseira também têm de ser verificados durante a inspeção periódica do veículo.

Para reapertar os parafusos, consulte o seu parceiro de assistência técnica.

Indicações para a assistência técnica (fig. 24, página 11)**NOTA!**

Os braços do toldo têm de estar livres de carga, para evitar que o binário de aperto dos parafusos seja deturpado.

- ▶ Eleve ligeiramente a calha condutora para que as articulações fiquem livres de carga.
- ▶ Reaperte os parafusos com 15–25 Nm.

8.5 Remendar pequenos furos na lona

Pode remendar pequenos furos na lona ou pequenas partes nas quais o revestimento se tenha soltado:

- ▶ Aplique um pouco de adesivo de vinil líquido (n.º de art. 9103104018, disponível através do seu parceiro de assistência técnica) sobre um pano de algodão e esfregue em volta da zona danificada.
- ✓ O adesivo de vinil líquido dissolve o revestimento. Quando seco, o revestimento tapa o furo.
- ▶ Aguarde que esta zona seque antes de voltar a recolher o toldo.

9 Resolução de falhas



OBSERVAÇÃO

Se não conseguir resolver uma falha com a ajuda da tabela seguinte, contacte o parceiro de assistência técnica do seu país (consultar o verso do manual para obter o endereço).

Falha	Possível causa	Sugestão de solução
Apenas PW1500/PW1750: O motor não responde ao controlo remoto.	A bateria do controlo remoto está descarregada.	Prima por breves instantes um dos botões \triangle ou ∇ . Se o LED do controlo remoto não acender, a bateria está descarregada. Substitua a bateria. Consulte o capítulo "Substituir as baterias do controlo remoto e do interruptor de parede (apenas PW1500/PW1750, opcional)" na página 101.
	O controlo remoto já não está configurado para o motor ou não está configurado adequadamente.	Re programe o controlo remoto, consulte as instruções de montagem.
	Fonte de alimentação não disponível	Verifique as conexões elétricas.
	O motor está avariado.	Recolha o toldo manualmente e contacte o parceiro de assistência técnica do seu país.

10 Garantia

Aplica-se o prazo de garantia legal. Se o produto apresentar defeitos, contacte o seu revendedor ou a filial do fabricante no seu país (ver dometic.com/dealer).

Para fins de reparação ou de garantia, terá de enviar também os seguintes documentos:

- Uma cópia da fatura com a data de aquisição
- Um motivo de reclamação ou uma descrição da falha

11 Eliminação

- Sempre que possível, coloque o material de embalagem no respectivo contentor de reciclagem.



Para colocar o aparelho definitivamente fora de funcionamento, por favor, informe-se junto do centro de reciclagem mais próximo ou revendedor sobre as disposições de eliminação aplicáveis.


12 Dados técnicos

PerfectWall PW1000					
Largura:	2,6 m	3 m	3,5 m	4 m	4,5 m
Aberto:	2 m	2,5 m			
Peso:	18,6 kg	21 kg	24 kg	27 kg	30 kg

PerfectWall PW1500				
Largura:	1,5 m	2,6 m	3 m	3,5 m
Aberto:	1 m	2 m	2,5 m	2,5 m/2,75 m
Peso:	12 kg	18 kg	21 kg	24 kg

PerfectWall PW1500				
Largura:	4 m	4,5 m	5 m	5,5 m
Aberto:	2,5 m/2,75 m			
Peso:	27 kg	30 kg	33 kg	36 kg

PerfectWall PW1750			
Largura:	3 m	3,5 m	4 m
Aberto:	2,5 m		
Peso:	26 kg	30 kg	33 kg

Motor de 12 V (apenas PW1500 e PW1750)	
Tensão de conexão:	12 V $\overline{=}$ (11–15 V)
Intensidade da corrente:	7 A
Potência de saída:	84 W
Binário:	35 Nm
Inspeção/certificação:	

Si prega di leggere attentamente e di seguire tutte le istruzioni, le linee guida e le avvertenze incluse in questo manuale del prodotto, al fine di garantire che il prodotto venga sempre installato, utilizzato e mantenuto nel modo corretto. Queste istruzioni DEVONO essere conservate insieme al prodotto.

Utilizzando il prodotto, l'utente conferma di aver letto attentamente tutte le istruzioni, le linee guida e le avvertenze e di aver compreso e accettato di rispettare i termini e le condizioni qui espressamente indicati. L'utente accetta di utilizzare questo prodotto solo per lo scopo e l'applicazione previsti e in conformità con le istruzioni, le linee guida e le avvertenze indicate nel presente manuale del prodotto, nonché in conformità con tutte le leggi e i regolamenti applicabili. La mancata lettura e osservanza delle istruzioni e delle avvertenze qui espressamente indicate può causare lesioni personali e a terzi, danni al prodotto o ad altre proprietà nelle vicinanze. Il presente manuale del prodotto, comprese le istruzioni, le linee guida e le avvertenze e la relativa documentazione possono essere soggetti a modifiche e aggiornamenti. Per informazioni aggiornate sul prodotto, si prega di visitare il sito dometic.com.



AVVERTENZA!

- Prima dell'utilizzo, della pulizia e della manutenzione è necessario aver letto e compreso bene questo manuale di istruzioni.
- Questo prodotto deve essere montato da personale specializzato. Un montaggio errato può provocare gravi lesioni. Eventuali modifiche al prodotto possono diventare estremamente pericolose e provocare gravi lesioni o danni al dispositivo stesso.
- Questo manuale di istruzioni deve rimanere insieme al prodotto. Il proprietario deve leggerlo attentamente.

Indice

1	Spiegazione dei simboli	109
2	Istruzioni per la sicurezza	109
3	Dotazione	112
4	Accessori	112
5	Conformità d'uso	113
6	Descrizione delle caratteristiche tecniche	114
7	Utilizzo della tenda da sole	115
7.1	Indicazioni sul posteggio del veicolo	115
7.2	Estrazione della tenda da sole	115
7.3	Retrazione della tenda da sole	118
7.4	Srotolamento dell'avvolgibile (solo PW1750)	120
7.5	Arrotolamento dell'avvolgibile (solo PW1750)	120
7.6	Regolazione del motorino da 12 V (solo PW1500/PW1750, opzionale)	121
7.7	Sostituzione delle batterie del controllo remoto e dell'interruttore a parete (solo PW1500/PW1750, opzionale)	121
8	Pulizia e manutenzione	122
8.1	Pulizia	122

8.2	Lubrificazione	122
8.3	Controllo	123
8.4	Serraggio delle viti nella cerniera posteriore	123
8.5	Rammendare le piccole forature nel telo	124
9	Eliminazione dei guasti	124
10	Garanzia	125
11	Smaltimento	125
12	Specifiche tecniche	126

1 Spiegazione dei simboli



AVVERTENZA!

Indicazione di sicurezza che segnala una situazione di pericolo che se non evitata può provocare morte o gravi lesioni.



AVVISO!

Indicazione di una situazione che se non evitata può provocare danni materiali.



NOTA

Informazioni integranti relative all'impiego del prodotto.

2 Istruzioni per la sicurezza

Osservare le istruzioni per la sicurezza e le condizioni previste dal produttore del veicolo e dalle officine di assistenza.



AVVERTENZA! La mancata osservanza di queste avvertenze potrebbe causare la morte o lesioni gravi.

Pericolo per la salute

- Prima di mettersi in viaggio, controllare che la tenda da sole sia completamente retratta. Non spostare mai il veicolo con la tenda da sole aperta.
- Non viaggiare mai con la manovella agganciata. Rimuovere la manovella prima di mettersi in viaggio.

- Non guidare il veicolo se il telo è danneggiato o strappato, neanche se la tenda da sole è stata regolarmente retratta. I bracci della tenda da sole vengono tenuti in posizione dal telo. Se il telo si strappa durante il viaggio, la tenda da sole scatta improvvisamente all'infuori. Questo può provocare gravi lesioni. Fissare la tenda da sole in modo tale che non possa estrarsi inavvertitamente durante la marcia.
- **Non** aprire la tenda da sole durante la marcia.
- Assicurarci che non si accumuli acqua o neve sul telo. Se questo succede, la tenda da sole può danneggiarsi o possono rompersi i bracci provocando così lesioni gravi o mortali.
- Non avvicinarsi alla tenda da sole
 - se è rimasta aperta e c'è vento forte,
 - se vi si sono formati accumuli di acqua,
 - se vi si è depositata neve,
 - se sul telo si trova sporcizia accumulata.La tenda da sole può muoversi inaspettatamente, diventare instabile e piegarsi o spezzarsi.
- Questo apparecchio può essere utilizzato da bambini di età superiore a 8 anni, da persone con ridotte capacità fisiche, sensoriali o mentali o da persone inesperte o prive di conoscenze specifiche solo se sorvegliate o preventivamente istruite sull'impiego dell'apparecchio in sicurezza e se informate dei pericoli legati al prodotto stesso.
- Controllare che i bambini non giochino con questo apparecchio.

Pericolo di scosse elettriche

- **Opzionale per PW1500/PW1750:** se è danneggiato il cavo di collegamento della tenda da sole, deve essere sostituito da personale specializzato.
- **Opzionale per PW1500/PW1750:** scollegare l'alimentazione tramite l'interruttore on/off prima di pulire il veicolo nelle vicinanze della tenda da sole o la stessa tenda da sole.
- **Opzionale per PW1500/PW1750: I dispositivi elettrici non sono giocattoli.**
Tenere il controllo remoto fuori dalla portata dei bambini. Impedire che i bambini possano giocare con l'interruttore a parete (accessorio).



ATTENZIONE! La mancata osservanza di queste precauzioni potrebbe causare lesioni lievi o moderate.

Pericolo per la salute

- **Non** aprire la tenda da sole in presenza di forti raffiche di vento o se nevicata.

- Retrarre la tenda da sole se si prevede l'arrivo di forte vento, pioggia intensa o neve.
- Non lasciare la tenda da sole estratta incustodita. Retrarre la tenda da sole prima di lasciare il posteggio.
- In caso di barbecue o fiamme libere, tenere una distanza di sicurezza dalla tenda da sole. Il telo può danneggiarsi con il calore o prendere fuoco.
- Non toccare le parti in movimento durante l'utilizzo della tenda da sole. Vi è il rischio di ferirsi con le parti in movimento.
- **Opzionale per PW1500/PW1750:** utilizzare la tenda da sole soltanto quando si può vedere il prodotto direttamente dall'esterno.



AVVISO! Rischio di danni

- Posizionare il proprio motorhome o caravan in modo tale che sul telo non possa cadere sporcizia (rami, foglie o simili).
- Il telo della tenda da sole non deve allentarsi ai lati, ma rimanere sempre ben teso. Se il telo si allenta, può sfregare sui bracci e venirne danneggiato.
Nelle tende da sole lunghe il telo può pendere al centro.
- Retrarre la tenda da sole solamente se sul telo non vi è sporcizia (rami, foglie o simili), altrimenti la tenda da sole potrebbe danneggiarsi in fase di retrazione.
- Tenere la tenda da sole pulita per evitare danneggiamenti, macchie e muffa.
- Retrarre la tenda da sole da bagnata solo in caso di emergenza. Estrarla nuovamente il prima possibile, altrimenti possono formarsi muffa o macchie o il colore può stingersi.
- Non piegare mai verso il basso un braccio della tenda da sole o la mascherina per fare defluire l'acqua. La tenda da sole in questo modo potrebbe piegarsi e il suo funzionamento essere compromesso.
- Non appendere oggetti alla tenda da sole, né sulla mascherina anteriore, né sui bracci.
- Non utilizzare spray (ad es. spray insetticida, lacca per capelli) in prossimità della tenda da sole. Il telo si sporcherebbe o l'effetto idrorepellente del telo potrebbe essere annullato.

- Se dopo il montaggio della tenda da sole non rimane spazio libero sufficiente sopra la porta, quest'ultima deve rimanere chiusa quando la tenda da sole viene estratta o retratta, per impedire che la porta entri in contatto con i bracci o la rotaia di guida.
Lo spazio libero necessario dipende dal tipo di porta (larghezza della porta, porta a vento, porta scorrevole) e dall'angolo d'inclinazione della tenda da sole.

3 Dotazione

Quantità	Descrizione
1	Tenda da sole
1	Manovella (solo tende da sole senza motorino)
1	Puntone di tensionamento (solo per tende da sole a partire da una lunghezza di 4 m)
1	Controllo remoto (solo PW1500/PW1750, opzionale)
1	Interruttore tenda da sole (solo PW1500, PW1750, opzionale)
4	Picchetti
1	Manuale di istruzioni
1	Istruzioni di montaggio

4 Accessori

Disponibili come accessori (non in dotazione):

Descrizione
TieDown Kit Cinghie per fissare la tenda da sole
CampRoom Tenda frontale e fianchi per veranda in vari modelli con piedi di supporto in differenti dimensioni
RainProtect Tenda frontale e laterali disponibili in differenti dimensioni

Descrizione

SunProtect

Tenda frontale e laterali disponibili in differenti dimensioni

Rollo+ (solo per PW1750)

Tendina avvolgibile

Dometic Light LK120

Kit luci a LED con controllo remoto per il montaggio sui bracci della tenda da sole

LED LightStrip

Striscia a LED disponibile in differenti lunghezze per il montaggio nel lato inferiore della tenda da sole

Led Profile

Illuminazione a LED disponibile in differenti lunghezze per il montaggio sul lato inferiore delle tende da sole a parete

Detergente per tenda da sole

Detergente speciale per la tenda da sole

Repair Kit

Toppa di riparazione per tenda da sole

5 Conformità d'uso

Le tende da sole PerfectWall PW1000, PW1500 e PW1750 sono adatte per il montaggio su motorhome o caravan.

Le tende da sole possono essere utilizzate solamente a veicolo fermo.

Questo prodotto è adatto solo per l'uso e l'applicazione previsti in conformità con le presenti istruzioni.

Questo manuale fornisce le informazioni necessarie per la corretta installazione e/o il funzionamento del prodotto. Una cattiva installazione e/o un funzionamento o una manutenzione impropria comporteranno prestazioni insoddisfacenti e un possibile guasto.

Il produttore non si assume alcuna responsabilità per eventuali lesioni o danni al prodotto che derivino da:

- montaggio o collegamento non corretti, compresa la sovratensione
- manutenzione o uso non corretti di ricambi diversi da quelli originali forniti dal produttore
- modifiche al prodotto senza esplicita autorizzazione del produttore

- impiego per fini diversi rispetto a quelli descritti nel presente manuale

Dometic si riserva il diritto di modificare l'aspetto e le specifiche del prodotto.

6 Descrizione delle caratteristiche tecniche

PerfectWall PW1000, PW1500 e PW1750 sono tende da sole che possono essere retratte ed estratte con l'aiusilio di una manovella.

Le tende da sole PerfectWall PW1500 e PW1750 possono essere retratte ed estratte in via opzionale anche con un motorino a 12 V comandato tramite interruttore o controllo remoto.

La tenda da sole viene assicurata alla parete del veicolo o al suolo tramite aste.

La tenda da sole PW1750 dispone di una tendina avvolgibile integrata nella rotaia di guida che può essere estratta come protezione dalla pioggia o dal sole.

Comandi del controllo remoto (solo PW1500/PW1750, opzionale)

N. nella fig. 1 , pagina 3	Descrizione
1	Retrazione della tenda da sole
2	Stop
3	Estrazione della tenda da sole
4	Interruttore on/off luce a LED (accessorio)

Comandi dell'interruttore (solo PW1500/PW1750, opzionale)

N. nella fig. 1 , pagina 3	Descrizione
1	Retrazione della tenda da sole
2	Stop
3	Estrazione della tenda da sole

7 Utilizzo della tenda da sole

Osservare le istruzioni per la sicurezza nel capitolo "Istruzioni per la sicurezza" a pagina 109.

7.1 Indicazioni sul posteggio del veicolo



AVVISO!

- Posizionare il veicolo in modo che sul telo non si depositi sporcizia (rami, foglie o simili).
- Tenere la tenda da sole pulita per evitare danneggiamenti, macchie e muffa.

7.2 Estrazione della tenda da sole

Estrazione della tenda da sole con la manovella



AVVERTENZA! Rischio di lesioni.

Mantenere una distanza sufficiente dagli oggetti o da altri veicoli. Dopo aver estratto la tenda da sole, fra questa e gli altri oggetti o veicoli deve esserci una distanza minima di 40 cm su tutti i lati.

- Inserire la manovella nell'apposita sede della tenda da sole (fig. **2**, pagina 3).
- Ruotarla finché la tenda da sole non è estratta di circa 1,5 m (fig. **3**, pagina 4).
- Spingere l'asta destra nella mascherina anteriore in modo tale da riuscire a muoverla liberamente (fig. **5**, pagina 5).
- Portare l'asta destra di lato (fig. **5**, pagina 5).
- Aprire l'asta destra verso il basso e posizionarla al suolo (fig. **6**, pagina 5).
- Regolarla all'altezza desiderata (fig. **7**, pagina 6).
- Alzare la leva sull'asta per fissarla (fig. **8**, pagina 6).
- Procedere nello stesso modo per l'altra asta.
- Ruotare la manovella finché la tenda da sole non viene estratta nella posizione desiderata. Posizionare nuovamente le aste in verticale ogni 30 cm sotto la rotaia di guida per far sì che la tenda da sole resti fissata sempre in posizione sicura.
- Ruotare indietro la manovella di ca. 1/4 di giro per portare il telo in tensione.


AVVISO! Fare attenzione a non causare danni.

Il telo della tenda da sole non deve allentarsi ai lati, ma rimanere sempre ben teso. Se il telo si allenta, può sfregare sui bracci e venirne danneggiato.

Nelle tende da sole lunghe il telo può pendere al centro.

- ▶ Disinserire la manovella dall'apposita sede della tenda da sole.

Estrazione della tenda da sole con un motorino da 12 V (solo PW1500/PW1750, opzionale)



AVVERTENZA! Rischio di lesioni.

Mantenere una distanza sufficiente dagli oggetti o da altri veicoli. Dopo aver estratto la tenda da sole, fra questa e gli altri oggetti o veicoli deve esserci una distanza minima di 40 cm su tutti i lati.


NOTA
Solo per l'azionamento con il controllo remoto:

- Quando il veicolo viene avviato, la tenda da sole è retratta in modo automatico. Durante la marcia del veicolo, la tenda da sole è bloccata e non può essere estratta.
- Il ricevitore emette un segnale acustico quando viene acceso.
- Il funzionamento del controllo remoto può essere compromesso da radiodisturbi se un altro dispositivo nelle vicinanze utilizza la stessa frequenza.
- Conservare il controllo remoto in un luogo sicuro mentre si è alla guida. Il magnete nella sede non è progettato per sopportare forti oscillazioni come quelle generate da una frenata improvvisa.

- ▶ Attivare il pulsante ▽ dell'interruttore o del controllo remoto, finché la tenda da sole non è estratta di circa 1,5 m (fig. **4**, pagina 4).
- ▶ Spingere l'asta destra nella mascherina anteriore in modo tale da riuscire a muoverla liberamente (fig. **5**, pagina 5).
- ▶ Portare l'asta destra di lato (fig. **5**, pagina 5).
- ▶ Aprire l'asta destra verso il basso e posizionarla al suolo (fig. **6**, pagina 5).
- ▶ Regolarla all'altezza desiderata (fig. **7**, pagina 6).
- ▶ Alzare la leva sull'asta per fissarla (fig. **8**, pagina 6).
- ▶ Procedere nello stesso modo per l'altra asta.

- ▶ Premere il pulsante  dell'interruttore o del controllo remoto, finché la tenda da sole non è estratta fino alla posizione richiesta. Posizionare nuovamente le aste in verticale ogni 30 cm sotto la rotaia di guida per far sì che la tenda da sole resti fissata sempre in posizione sicura.
- ▶ Premere l'interruttore  dell'interruttore o del controllo remoto per retrarre la tenda da sole fino a che il telo non è teso.



AVVISO! Fare attenzione a non causare danni.

Il telo della tenda da sole non deve allentarsi ai lati, ma rimanere sempre ben teso. Se il telo si allenta, può sfregare sui bracci e venirne danneggiato.

Nelle tende da sole lunghe il telo può pendere al centro.

Posizionamento delle aste sul suolo



AVVERTENZA! Rischio di lesioni

- Posizionare le aste esclusivamente su una base rigida.
- Fare in modo che non scivolino via.

- ▶ Posizionare le aste in verticale sotto la rotaia di guida.
- ▶ Fissare le aste al suolo con i picchetti (fig. **9**, pagina 6).
- ▶ Regolare un po' più in basso una delle due aste affinché la rotaia di guida presenti una leggera pendenza. In questo modo la pioggia può defluire più facilmente (fig. **10**, pagina 6).

Fissaggio delle aste al veicolo

È possibile fissare la tenda da sole direttamente al veicolo se sono stati montati gli arresti per le aste.

- ▶ Far scorrere verso l'alto la copertura dell'arresto (fig. **11**, pagina 7).
- ▶ Agganciare le aste nell'arresto (fig. **11**, pagina 7).
- ▶ Far scorrere verso il basso la copertura dell'arresto (fig. **11**, pagina 7).
- ▶ Regolare un po' più in basso una delle due aste affinché la rotaia di guida presenti una leggera pendenza. In questo modo la pioggia può defluire più facilmente (fig. **12**, pagina 7).

Montaggio del puntone di tensionamento (fig. 13, pagina 7)

Per tende da sole con una lunghezza di 4 metri o superiore, deve essere montato un puntone di tensionamento al centro della tenda da sole. In questo modo si evita che la tenda da sole penda.

- Far scorrere il puntone di tensionamento.
- Agganciare l'estremità superiore del puntone di tensionamento nell'apposito supporto presente sull'alloggiamento.
- Inserire l'altra estremità del puntone di tensionamento nel supporto presente nella rotaia di guida.

7.3 Retrazione della tenda da sole



AVVISO!

- Retrarre la tenda da sole solamente se sul telo non vi è sporcizia (rami, foglie o simili), altrimenti la tenda da sole potrebbe danneggiarsi in fase di retrazione.
- Tenere la tenda da sole pulita per evitare danneggiamenti, macchie e muffa.
- Durante la retrazione della tenda da sole, fare attenzione che quest'ultima non rimanga bloccata da rami o altri oggetti.

- Rimuovere la sporcizia (rami, foglie o simili) che si trova sul telo.
- Liberare le aste dai fissaggi (picchetti o fermi sul veicolo).

Retrazione della tenda da sole con la manovella

- Agganciare l'estremità superiore della manovella nell'apposita sede della tenda da sole.
- Ruotarla finché la tenda da sole non è estratta di appena 1,5 m circa. Posizionare nuovamente le aste in verticale ogni 30 cm sotto la rotaia di guida per far sì che la tenda da sole resti fissata sempre in posizione sicura.
- Abbassare la leva dell'asta destra per sbloccare le aste.
- Far scorrere le aste insieme.
- Richiudere in alto l'asta destra.
- Portare l'asta destra nella rotaia di guida.
- Spingere la parte inferiore dell'asta destra nell'arresto della rotaia di guida.

- Retrarre nello stesso modo l'altra asta.
- Ruotare la manovella finché la tenda da sole non è completamente retratta.
- Prima di partire, assicurarsi che la tenda da sole sia completamente retratta. La rotaia di guida deve aderire bene all'alloggiamento.
- Disinserire la manovella dall'apposita sede della tenda da sole.



AVVISO! Fare attenzione a non causare danni.

Se la tenda da sole viene retratta ancora bagnata, estrarla nuovamente per lasciarla asciugare alla prima occasione. Se il telo bagnato rimane arrotolato per lungo tempo, si formano muffe e i colori possono sbiadire.

Retrazione della tenda da sole con un motorino da 12 V (solo PW1500/PW1750, opzionale)

- Premere il pulsante \triangle dell'interruttore o del controllo remoto, finché la tenda da sole è estratta di appena 1,5 m circa. Posizionare nuovamente le aste in verticale ogni 30 cm sotto la rotaia di guida per far sì che la tenda da sole resti fissata sempre in posizione sicura.
- Abbassare la leva dell'asta destra per sbloccare le aste.
- Far scorrere le aste insieme.
- Richiudere in alto l'asta destra.
- Portare l'asta destra nella rotaia di guida.
- Spingere la parte inferiore dell'asta destra nell'arresto della rotaia di guida.
- Retrarre nello stesso modo l'altra asta.
- Premere il pulsante \triangle dell'interruttore o del controllo remoto, finché la tenda da sole non è estratta in modo completo.
- Prima di partire, assicurarsi che la tenda da sole sia completamente retratta. La rotaia di guida deve aderire bene all'alloggiamento.



AVVISO! Fare attenzione a non causare danni.

Se la tenda da sole viene retratta ancora bagnata, estrarla nuovamente per lasciarla asciugare alla prima occasione. Se il telo bagnato rimane arrotolato per lungo tempo, si formano muffe e i colori possono sbiadire.

7.4 Srotolamento dell'avvolgibile (solo PW1750)

- ▶ Aprire il dispositivo di bloccaggio al centro della rotaia di guida (fig. **14**, pagina 8).
- ▶ Inserire le staffe a destra e a sinistra nelle guide della tendina avvolgibile (fig. **15**, pagina 8).
- ▶ Introdurre cinghie di tensionamento o cordini nei passanti delle staffe (fig. **15**, pagina 8).
- ▶ Tirare con entrambe le mani la tendina avvolgibile in modo uniforme verso il basso afferrandola sulla guida (fig. **16**, pagina 8).
L'altezza massima di estrazione è di 1,2 m.
- ▶ Fissare le staffe di destra e di sinistra utilizzando le aste (fig. **17**, pagina 9).
oppure
- ▶ Fissare i cordini con i picchetti (fig. **18**, pagina 9).

7.5 Arrotolamento dell'avvolgibile (solo PW1750)

- ▶ Svitare gli elementi di fissaggio della tendina avvolgibile.
- ▶ Tirare la tendina avvolgibile verso il basso (fig. **19**, pagina 9).
- ✓ La tendina avvolgibile si avvolge automaticamente nella rotaia di guida.
- ▶ Estrarre le staffe di destra e di sinistra dalla rotaia (fig. **20**, pagina 10).
- ▶ Bloccare il dispositivo di bloccaggio al centro della rotaia di guida (fig. **21**, pagina 10).



AVVISO! Fare attenzione a non causare danni.

Se la tendina avvolgibile è stata richiusa ancora bagnata, alla prima occasione estrarla di nuovo e lasciare asciugare il telo. Se il telo bagnato rimane arrotolato per lungo tempo, si formano muffe e i colori possono sbiadire.

7.6 Regolazione del motorino da 12 V (solo PW1500/PW1750, opzionale)



NOTA

Il motorino da 12 V è premontato nell'albero.

- Se la tenda da sole non si apre o chiude più completamente, eseguire la regolazione del motorino da 12 V (fig. 22, pagina 10).

7.7 Sostituzione delle batterie del controllo remoto e dell'interruttore a parete (solo PW1500/PW1750, opzionale)



NOTA

Se il LED del controllo remoto **non** si accende dopo aver premuto uno dei pulsanti, la batteria del controllo remoto è scarica.

- Aprire l'alloggiamento (fig. 23 1, pagina 11).
- Rimuovere la vecchia batteria dalla sede.
- Inserire una batteria nuova (tipo CR2450 per il controllo remoto, tipo CR2430 per l'interruttore a parete, fig. 23 2, pagina 11) nella sede, con il polo positivo orientato verso l'alto.
- Rimontare il controllo remoto o l'interruttore a parete.



Protegete l'ambiente!

Gli accumulatori e le batterie non devono essere raccolti insieme ai rifiuti domestici.

Consegnare gli accumulatori difettosi o le batterie usate al rivenditore o presso un centro di raccolta.

8 Pulizia e manutenzione

8.1 Pulizia

**AVVISO! Fare attenzione a non causare danni.**

- Non pulire **mai** la tenda da sole con un'idropulitrice.
- Per la pulizia non impiegare oggetti appuntiti o detergenti abrasivi perché potrebbero danneggiare il prodotto.

- ▶ Togliere dal telo qualsiasi deposito di sporcizia (rami, foglie o simili) per evitare abrasioni, macchie e muffa. La tenda da sole può essere danneggiata anche in fase di retrazione.
- ▶ Pulire regolarmente il telo della tenda da sole per rimuovere la polvere e lo sporco:
 - utilizzare 30 ml di detersivo e 30 ml di candeggina diluiti in 10 litri di acqua.
 - Insaponare il telo con questa soluzione e lasciare agire il detergente liquido per cinque minuti.
 - Risciacquare accuratamente con acqua pulita.Assicurarsi che il detergente liquido con la candeggina sia completamente lavato via, altrimenti può danneggiare il telo.
- Lasciar asciugare il telo.

**NOTA**

Il produttore raccomanda:
per la pulizia del tessuto utilizzare il detergente per tende da sole Dometic (n. art. 9600000165, disponibile presso il proprio punto di assistenza).

8.2 Lubrificazione

- ▶ All'occorrenza lubrificare gli snodi della tenda da sole con cera di paraffina, olio al teflon o al silicone.

8.3 Controllo



AVVERTENZA!

Non utilizzare la tenda da sole se necessita di interventi di regolazione o manutenzione.

Se si riscontrano danni, rivolgersi al punto di assistenza del rispettivo Paese (per gli indirizzi, vedi il retro del manuale di istruzioni).



NOTA

Gli accessori Dometic quali giunti sigillanti o strisce di schiuma sono soggetti a usura ambientale. Non è indice di scarsa qualità. Per assicurare il funzionamento di queste parti, Dometic raccomanda di sostituire le guarnizioni di gomma e le strisce di schiuma ogni 5 anni.

- ▶ Ispezionare regolarmente la tenda da sole per verificare che non vi siano sbilanciamenti e usura o danneggiamenti alle parti critiche.
- ▶ Controllare regolarmente la tenda da sole:
 - Il telo presenta danneggiamenti?
 - I bracci e la rotaia di guida presentano danneggiamenti o segni di usura?
 - La tenda da sole si chiude correttamente?

8.4 Serraggio delle viti nella cerniera posteriore

Le viti nella cerniera posteriore devono essere serrate dopo la prima sollecitazione:

- dopo la prima vacanza in cui si è utilizzata la tenda da sole
- dopo 20.000 km di marcia del veicolo o sei mesi dopo l'installazione della tenda da sole (ciò che si presenta prima)

Inoltre si consiglia di controllare le viti della cerniera posteriore in occasione della regolare ispezione del veicolo.

Per il serraggio delle viti rivolgersi al punto di assistenza.

Istruzioni per il servizio di assistenza (fig. 24, pagina 11)



AVVISO!

I bracci della tenda da sole devono essere liberi da carichi affinché la coppia di serraggio delle viti non venga falsata.

- ▶ Sollevare leggermente la rotaia di guida per togliere il carico dalla cerniera.
- ▶ Stringere le viti con 15 – 25 Nm.

8.5 Rammendare le piccole forature nel telo

È possibile riparare le piccole forature nel telo o nei punti in cui il rivestimento si consuma:

- ▶ con uno straccio di cotone distribuire intorno ai punti danneggiati un po' di cerotto in vinile liquido (n. art. 9103104018, disponibile presso il proprio punto di assistenza).
- ✓ Il cerotto in vinile liquido discioglie leggermente il rivestimento. Il rivestimento chiude il foro mentre si asciuga.
- ▶ Attendere che l'area si sia asciugata prima di retrarre di nuovo la tenda da sole.

9 Eliminazione dei guasti



NOTA

Se non si riesce a rimuovere il guasto con l'ausilio della seguente tabella, contattare il punto di assistenza locale (l'indirizzo si trova sul retro del manuale di istruzioni).

Guasto	Possibile causa	Rimedio
Solo PW1500/PW1750: Il motorino non reagisce ai comandi del controllo remoto.	La batteria del controllo remoto è scarica.	Premere brevemente uno dei pulsanti \triangle o ∇ . Se il LED del controllo remoto non si accende, la batteria è scarica. Sostituire la batteria, vedi capitolo "Sostituzione delle batterie del controllo remoto e dell'interruttore a parete (solo PW1500/PW1750, opzionale)" a pagina 121.
	Il controllo remoto non è più abbinato al motorino o non lo è in modo corretto.	Riprogrammare il controllo remoto, vedi le istruzioni di montaggio.
	Alimentazione elettrica non disponibile	Controllare i collegamenti elettrici.
	Il motorino è guasto.	Retrarre la tenda da sole manualmente e contattare il punto di assistenza nel rispettivo Paese.

10 Garanzia

Vale il termine di garanzia previsto dalla legge. Se il prodotto è difettoso, contattare il rivenditore di fiducia o la filiale del costruttore nel proprio Paese (vedi dometic.com/dealer).

Per la gestione della riparazione e della garanzia è necessario inviare la seguente documentazione insieme al dispositivo:

- una copia della ricevuta con la data di acquisto,
- il motivo della richiesta o la descrizione del guasto.

11 Smaltimento

- Raccogliere il materiale di imballaggio possibilmente negli appositi contenitori di riciclaggio.



Quando il prodotto viene messo fuori servizio definitivamente, informarsi al centro di riciclaggio più vicino, oppure presso il proprio rivenditore specializzato, sulle prescrizioni adeguate concernenti lo smaltimento.


12 Specifiche tecniche

PerfectWall PW1000					
Larghezza:	2,6 m	3 m	3,5 m	4 m	4,5 m
Estratta:	2 m	2,5 m			
Peso:	18,6 kg	21 kg	24 kg	27 kg	30 kg

PerfectWall PW1500				
Larghezza:	1,5 m	2,6 m	3 m	3,5 m
Estratta:	1 m	2 m	2,5 m	2,5 m / 2,75 m
Peso:	12 kg	18 kg	21 kg	24 kg

PerfectWall PW1500				
Larghezza:	4 m	4,5 m	5 m	5,5 m
Estratta:	2,5 m / 2,75 m			
Peso:	27 kg	30 kg	33 kg	36 kg

PerfectWall PW1750			
Larghezza:	3 m	3,5 m	4 m
Estratta:	2,5 m		
Peso:	26 kg	30 kg	33 kg

Motorino da 12 V (solo PW1500 e PW1750)	
Tensione di allacciamento:	12 V $\overline{=}$ (11 - 15 V)
Intensità di corrente:	7 A
Potenza di uscita:	84 W
Coppia:	35 Nm
Ispezione/certificazione:	

Lees alle instructies, richtlijnen en waarschuwingen in deze gebruiksaanwijzing en volg ze zorgvuldig op om ervoor te zorgen dat u het product te allen tijde op de juiste manier installeert, gebruikt en onderhoudt. Deze instructies MOETEN bij dit product bewaard worden.

Door het product te gebruiken, bevestigt u hierbij dat u alle instructies, richtlijnen en waarschuwingen zorgvuldig hebt gelezen en dat u de voorwaarden en condities zoals die hierin zijn beschreven begrijpt en accepteert. U gaat ermee akkoord dit product alleen te gebruiken voor het beoogde doel en de beoogde toepassing en in overeenstemming met de instructies, richtlijnen en waarschuwingen zoals beschreven in deze gebruiksaanwijzing en in overeenstemming met de geldende wet- en regelgeving. Het niet lezen en opvolgen van de hierin beschreven instructies en waarschuwingen kan leiden tot letsel voor uzelf en anderen, schade aan uw product of schade aan andere eigendommen in de omgeving. Deze gebruiksaanwijzing, met inbegrip van de instructies, richtlijnen en waarschuwingen, en de bijbehorende documentatie kan onderhevig zijn aan wijzigingen en updates. Actuele productinformatie vindt u op dometic.com.



WAARSCHUWING!

- Deze gebruiksaanwijzing moet voor gebruik, reiniging en onderhoud van het toestel worden gelezen en begrepen.
- Dit toestel moet door een vakman worden gemonteerd. Onjuiste montage kan leiden tot ernstig letsel. Constructiewijzigingen van het product kunnen zeer gevaarlijk zijn of leiden tot defecten van het toestel.
- Deze gebruiksaanwijzing moet bij het product worden bewaard. De eigenaar moet de gebruiksaanwijzing nauwkeurig lezen.

Inhoudsopgave

1	Verklaring van de symbolen	128
2	Veiligheidsaanwijzingen	128
3	Omvang van de levering	131
4	Accessoires	131
5	Beoogd gebruik	132
6	Technische beschrijving	133
7	Zonnescherm bedienen	134
7.1	Opmerking over de standplaats van het voertuig	134
7.2	Zonnescherm uitrollen	134
7.3	Zonnescherm inrollen	137
7.4	Het rolgordijn uitrollen (alleen PW1750)	139
7.5	Het rolgordijn oprollen (alleen PW1750)	139
7.6	De 12 V-motor afstellen (alleen PW1500/PW1750, optioneel) ..	140
7.7	De batterijen van de afstandsbediening en de wandschakelaar vervangen (alleen PW1500/PW1750, optioneel)	140
8	Reiniging en onderhoud	141
8.1	Reinigen	141
8.2	Smeren	141
8.3	Controleren	142

8.4	Draai de schroeven van de schouderscharnieren vast	142
8.5	Kleine gaatjes in het doek repareren	143
9	Verhelpen van storingen	143
10	Garantie	144
11	Afvoer	144
12	Technische gegevens	145

1 Verklaring van de symbolen



WAARSCHUWING!

Veiligheidsaanwijzing met betrekking tot een gevaarlijke situatie die kan leiden tot ernstig letsel of de dood, als deze niet wordt vermeden.



LET OP!

Aanwijzing met betrekking tot een situatie die kan leiden tot materiële schade, als deze niet wordt vermeden.



INSTRUCTIE

Meer informatie over de bediening van het product.

2 Veiligheidsaanwijzingen

Neem de veiligheidsaanwijzingen en de voorschriften van de voertuigfabrikant en de garagebedrijven in acht.



WAARSCHUWING! Het niet in acht nemen van deze waarschuwingen kan leiden tot ernstig letsel of de dood.

Gevaar voor de gezondheid

- Controleer voor het vertrek of het zonnescherm volledig is ingerold. Beweeg bij een uitgerold zonnescherm nooit het voertuig.
- Rijd nooit met ingehangen kruk. Haal de kruk voor het rijden eraf.

- Rijd niet met het voertuig als het doek beschadigd of ingescheurd is, ook als het zonnescerm correct is ingerold. De zonnescermarmen worden door het doek vastgehouden. Als het doek bij het rijden scheurt, springt het zonnescerm plotseling los. Dat kan tot zware verwondingen leiden. Bevestig het zonnescerm zodanig dat dit tijdens het rijden niet plotseling en onverwacht open kan gaan.
- Open het zonnescerm **niet** tijdens het rijden.
- Zorg ervoor dat zich geen water of sneeuw op het doek verzamelt. Anders kan het zonnescerm beschadigd raken of de zonnescermarmen kunnen afbreken en zo zware verwondingen of de dood veroorzaken.
- Blijf uit de buurt van het zonnescerm
 - als dit tijdens zware wind geopend is
 - als zich waterplassen op het scherm hebben gevormd
 - als het scherm met sneeuw is bedekt
 - als zich veel puin op het zonnescerm bevindt.Het zonnescerm kan onverwacht bewegen, instabiel worden en verbuigen of afbreken.
- Dit toestel mag worden gebruikt door kinderen vanaf 8 jaar en ouder evenals door personen met verminderd fysiek, zintuiglijk of mentaal vermogen of gebrek aan kennis en ervaring, mits zij onder toezicht staan of zijn geïnstrueerd in het veilig gebruik van het toestel en zij inzicht hebben in de gevaren die het gebruik van het toestel met zich meebrengt.
- Kinderen moeten onder toezicht staan om te garanderen dat ze niet met het toestel spelen.

Gevaar voor elektrische schokken

- **Optioneel voor PW1500/PW1750:** Als de aansluitkabel van het zonnescerm beschadigd is, moet deze door een deskundige worden vervangen.
- **Optioneel voor PW1500/PW1750:** Ontkoppel de stroomvoorziening met de aan/uit-schakelaar alvorens het voertuig in de buurt van het zonnescerm of het zonnescerm zelf te reinigen.
- **Optioneel voor PW1500/PW1750: Elektrische toestellen zijn geen speelgoed.**
Bewaar de afstandsbediening buiten het bereik van kinderen. voorkom dat kinderen met de wandschakelaar spelen (accessoire).

**VOORZICHTIG! Het niet in acht nemen van deze waarschuwingen kan leiden tot licht of matig letsel.****Gevaar voor de gezondheid**

- Open het zonnescerm **niet** bij sterke wind of sneeuwval.
- Rol het zonnescerm in als sterke wind, zware regen of sneeuwval worden verwacht.
- Laat het uitgerolde zonnescerm niet onbeheerd achter. Rol het zonnescerm in voor u uw standplaats verlaat.
- Houd bij het barbecueën met open vuur voldoende afstand van het zonnescerm. Het doek kan door de hitte beschadigd raken of in brand vliegen.
- Raak geen bewegende onderdelen aan terwijl u het zonnescerm bedient. Er bestaat gevaar voor letsel door bewegende onderdelen.
- **Optioneel voor PW1500/PW1750:** Gebruik het zonnescerm alleen als u het product direct vanaf buiten kunt zien.

**LET OP! Gevaar voor schade**

- Parkeer de camper of de caravan zodanig dat er geen vuil (takken, bladeren of dergelijke) op het doek terecht kunnen komen.
- Het doek van het zonnescerm mag aan de randen niet doorhangen, maar moet steeds strak staan. Als het doek doorhangt, kan het langs de armen schuren en beschadigd raken. Bij lange zonneschermen mag het doek in het midden doorhangen.
- Rol het zonnescerm alleen in als er geen vuil (takken, bladeren of dergelijke) op het doek ligt. Bij het inrollen kan het zonnescerm anders beschadigd raken.
- Houd het zonnescerm schoon, om schuurplekken, vlekken en schimmel te voorkomen.
- Rol het zonnescerm als het nat is uitsluitend in als dat om veiligheidsredenen noodzakelijk is. Rol het onmiddellijk weer uit, zodra dit mogelijk is. Anders bestaat er gevaar voor schimmelvorming, vlekken of verbleken van de kleur.
- Buig nooit een zonnescermarm of de kap naar onderen om water op het zonnescerm te laten aflopen. Het zonnescerm kan hierdoor verbuigen en de werking kan verslechterd worden.
- Hang geen voorwerpen aan het zonnescerm, noch aan de frontafdekking noch aan de zonnescermarmen.

- Gebruik geen sprays (bijv. insectenspray, haarspray) in de buurt van het zonnescerm. Het doek wordt hierdoor vuil of het waterafstotende effect van het doek kan hierdoor verloren gaan.
- Als na de montage van het zonnescerm onvoldoende vrije ruimte boven de deur over is, moet de deur tijdens het in- of uitrollen gesloten blijven om contact van de deur met de armen of de geleiderail te vermijden.
De vereiste vrije ruimte hangt af van de bouwwijze van de deur (deurbreedte, vleugel deur of schuifdeur) alsmede van de ingestelde hellingshoek van het zonnescerm.

3 Omvang van de levering

Aantal	Beschrijving
1	Zonnescerm
1	Handkruk (alleen zonneschermen zonder motor)
1	Spanstang (alleen bij zonnescerm vanaf 4 m lengte)
1	Afstandsbediening (alleen PW1500/PW1750, optioneel)
1	Schakelaar (alleen PW1500/PW1750, optioneel)
4	Haringen
1	Gebruiksaanwijzing
1	Montagehandleiding

4 Accessoires

Verkrijgbaar als accessoires (niet bij de levering inbegrepen):

Beschrijving

TieDown Kit

Riemen voor het spannen van het zonnescerm

CampRoom

Voorzijde en zijkanten van voortenten in verschillende modellen met steunpoten in verschillende maten

Beschrijving

RainProtect

Frontpaneel en zijdelen verkrijgbaar in verschillende maten

SunProtect

Frontpaneel en zijdelen verkrijgbaar in verschillende maten

Rolgordijn+ (niet voor PW1750)

Rolgordijn

Dometic Light LK120

Ledverlichtingsset met afstandsbediening voor montage aan de zonneschermarmen

Ledlichtstrook

Ledlichtstrook beschikbaar in verschillende lengtes voor installatie aan de onderzijde van het zonnescerm

Ledprofiel

Ledverlichting beschikbaar in verschillende lengtes voor installatie aan de onderzijde van de wandzonneschermen

Zonneschermreinigingsmiddel

Speciaal zonneschermreinigingsmiddel

Repair Kit

Zonneschermreparatiedoek

5 Beoogd gebruik

De zonneschermen PerfectWall PW1000, PW1500 en PW1750 zijn geschikt voor montage aan campers of caravans.

De zonneschermen mogen alleen worden gebruikt als het voertuig geparkeerd is.

Dit product is alleen geschikt voor het beoogde gebruik en de toepassing in overeenstemming met deze gebruiksaanwijzing.

Deze handleiding geeft informatie die nodig is voor een goede installatie en/of bediening van het product. Een slechte installatie en/of verkeerde bediening of onderhoud leidt tot onbevredigende prestaties en mogelijke storingen.

De fabrikant aanvaardt geen aansprakelijkheid voor letsel of schade aan het product die het gevolg is van:

- Onjuiste montage of aansluiting, inclusief te hoge spanning

- Onjuist onderhoud of gebruik van andere dan door de fabrikant geleverde originele reserveonderdelen
- Wijzigingen van het product zonder uitdrukkelijke toestemming van de fabrikant
- Gebruik voor andere doeleinden dan beschreven in deze handleiding

Dometic behoudt zich het recht voor om het uiterlijk en de specificaties van het product te wijzigen.

6 Technische beschrijving

PerfectWall PW1000, PW1500 en PW1750 zijn zonneschermen die met behulp van een handkruk kunnen worden in- en uitgerold.

De zonneschermen PerfectWall PW1500 en PW1750 kunnen optioneel ook worden uitgerold met een 12 V-motor, die met een schakelaar of afstandsbediening wordt bediend.

Het zonnescherm wordt met steunen tegen de voertuigwand of op de grond beveiligd.

Het zonnescherm PW1750 heeft een geïntegreerd rolgordijn in de geleiderail, dat kan worden neergelaten ter bescherming tegen regen of zonlicht.

Regelingen van de afstandsbediening (alleen PW1500/PW1750, optioneel)

Nr. in afb. 1 , pagina 3	Beschrijving
1	Zonnescherm inrollen
2	Stop
3	Zonnescherm uitrollen
4	Schakelaar ledverlichting aan/uit (accessoire)

Regelingen van de schakelaar (alleen PW1500/PW1750, optioneel)

Nr. in afb. 1 , pagina 3	Beschrijving
1	Zonnescherm inrollen
2	Stop
3	Zonnescherm uitrollen

7 Zonnescherm bedienen

Neem vooral de veiligheidsaanwijzingen in hoofdstuk „Veiligheidsaanwijzingen“ op pagina 128 in acht.

7.1 Opmerking over de standplaats van het voertuig

**LET OP!**

- Parkeer het voertuig zodanig dat er geen vuil (takken, bladeren of dergelijke) op het doek terecht kan komen.
- Houd het zonnescherm schoon, om schuurplekken, vlekken en schimmel te voorkomen.

7.2 Zonnescherm uitrollen

Zonnescherm met handkruk uitrollen

**WAARSCHUWING! Gevaar voor verwonding.**

Houd voldoende afstand tot voorwerpen of andere voertuigen. Na het uitrollen moet rondom een minimumafstand van 40 cm tot andere voorwerpen of voertuigen worden aangehouden.

- Klik de handkruk in de houder van het zonnescherm (afb. **2**, pagina 3).
- Draai de handkruk tot het zonnescherm ongeveer 1,5 m is uitgerold (afb. **3**, pagina 4).
- Druk de rechter steun in de frontafdekking in elkaar zodat u deze vrij kunt bewegen (afb. **5**, pagina 5).
- Draai de rechter steun opzij (afb. **5**, pagina 5).

- ▶ Klap de rechter steun omlaag weg en plaats deze op de bodem (afb. **6**, pagina 5).
- ▶ Stel de steun in op de gewenste hoogte (afb. **7**, pagina 6).
- ▶ Klap de hendel van de steun omhoog om de steun te fixeren (afb. **8**, pagina 6).
- ▶ Schuif de andere steun ook in.
- ▶ Draai de handkruk tot het zonneschermbetrekking tot de gewenste stand is uitgerold. Positioneer de steunen elke 30 cm verticaal en onder de geleiderail zodat het zonneschermbetrekking steeds veilig wordt ondersteund.
- ▶ Draai de handkruk ca. een kwart omwenteling terug om het doek te spannen.



LET OP! Gevaar voor beschadiging.

Het doek van het zonneschermbetrekking mag aan de randen niet doorhangen, maar moet steeds strak staan. Als het doek doorhangt, kan het langs de armen schuren en beschadigd raken.

Bij lange zonneschermbetrekking mag het doek in het midden doorhangen.

- ▶ Neem de handkruk uit de houder van het zonneschermbetrekking.

Zonneschermbetrekking met een 12 V-motor uitrollen (alleen PW1500/PW1750, optioneel)



WAARSCHUWING! Gevaar voor verwonding.




Houd voldoende afstand tot voorwerpen of andere voertuigen. Na het uitrollen moet rondom een minimumafstand van 40 cm tot andere voorwerpen of voertuigen worden aangehouden.



INSTRUCTIE

Alleen voor bediening met de afstandsbediening:

- Als het voertuig wordt gestart, wordt het zonneschermbetrekking automatisch ingerold. Als de motor van het voertuig draait, is het zonneschermbetrekking geblokkeerd en kan niet worden uitgerold.
- De ontvanger piept een keer, als hij wordt ingeschakeld.
- Gebruik van de afstandsbediening kan worden beïnvloed door andere apparaten, als deze dichtbij met dezelfde frequentie worden gebruikt.
- Bewaar de afstandsbediening op een veilige plek, als u rijdt. De magneet in de houder is niet ontworpen voor sterke trillingen, zoals plotseling remmen.

- ▶ Druk op de toets  van de schakelaar of de afstandsbediening tot het zonnescherm ongeveer 1,5 m is uitgerold (afb. **4**, pagina 4).
- ▶ Druk de rechter steun in de frontafdekking in elkaar zodat u deze vrij kunt bewegen (afb. **5**, pagina 5).
- ▶ Draai de rechter steun opzij (afb. **5**, pagina 5).
- ▶ Klap de rechter steun omlaag weg en plaats deze op de bodem (afb. **6**, pagina 5).
- ▶ Stel de steun in op de gewenste hoogte (afb. **7**, pagina 6).
- ▶ Klap de hendel van de steun omhoog om de steun te fixeren (afb. **8**, pagina 6).
- ▶ Schuif de andere steun ook in.
- ▶ Druk op de toets  van de schakelaar of de afstandsbediening tot het zonnescherm tot de gewenste positie is uitgerold. Positioneer de steunen elke 30 cm verticaal en onder de geleiderail zodat het zonnescherm steeds veilig wordt ondersteund.
- ▶ Druk op de toets  van de schakelaar of de afstandsbediening tot het zonnescherm ver genoeg is ingerold om het doek te spannen.

**LET OP! Gevaar voor beschadiging.**

Het doek van het zonnescherm mag aan de randen niet doorhangen, maar moet steeds strak staan. Als het doek doorhangt, kan het langs de armen schuren en beschadigd raken. Bij lange zonneschermen mag het doek in het midden doorhangen.

Steunen op de grond plaatsen**WAARSCHUWING! Gevaar voor letsel**

- Plaats de steunen uitsluitend op een vaste ondergrond.
 - Beveilig de steun tegen wegglijden.
- ▶ Plaats de steun verticaal onder de geleiderail.
 - ▶ Beveilig de steun met haringen (afb. **9**, pagina 6).
 - ▶ Positioneer een van de steunen iets lager zodat de geleiderail in een hoek hangt. Zo kan regen direct weglopen (afb. **10**, pagina 6).

Steun aan het voertuig bevestigen

U kunt het zonneschermbedieningsapparaat direct aan uw voertuig bevestigen, indien u de steunvergrendelingen reeds heeft gemonteerd.

- Schuif de afdekking van de vergrendeling omhoog (afb. 11, pagina 7).
- Hang de steun in de vergrendeling (afb. 11, pagina 7).
- Schuif de afdekking van de vergrendeling omlaag (afb. 11, pagina 7).
- Positioneer een van de steunen iets lager zodat de geleiderail in een hoek hangt. Zo kan regen direct weggelopen (afb. 12, pagina 7).

De spanstang monteren (afb. 13, pagina 7)

Bij zonneschermen met een lengte van 4 m of meer moet een spanstang in het midden van het zonneschermbedieningsapparaat worden bevestigd. Hierdoor wordt verhinderd dat het zonneschermbedieningsapparaat doorhangt.

- Schuif de spanstang in elkaar.
- Vergrendel het bovendiepe van de spanstang in de opname van de behuizing.
- Schuif het andere einde van de spanstang in de opname in de geleiderail.

7.3 Zonnescherminrollen



LET OP!

- Rol het zonneschermbedieningsapparaat alleen in als er geen vuil (takken, bladeren of dergelijke) op het doek ligt. Bij het inrollen kan het zonneschermbedieningsapparaat anders beschadigd raken.
- Houd het zonneschermbedieningsapparaat schoon, om schuurplekken, vlekken en schimmel te voorkomen.
- Let er bij het inrollen van het zonneschermbedieningsapparaat op dat er geen takken of andere voorwerpen worden ingeklemd.

- Verwijder vuil (takken, bladeren of dergelijke) dat op het doek ligt.
- Maak de bevestiging van de steunen los (haringen of vergrendeling van het voertuig).

Zonneschermbediening met handkruk inrollen


- Klik het bovenste uiteinde van de handkruk in de houder van het zonneschermbediening.
- Draai de handkruk tot het zonneschermbediening ongeveer 1,5 m is uitgerold. Positioneer de steunen elke 30 cm verticaal en onder de geleiderail zodat het zonneschermbediening steeds veilig wordt ondersteund.
- Klap de hendel van de rechtersteun omlaag om de steun los te maken.
- Schuif de steunen volledig in elkaar.
- Klep de rechtersteun omhoog.
- Draai de rechtersteun in de geleiderail.
- Schuif het onderste deel van de rechtersteun in de vergrendeling van de geleiderail.
- Schuif de andere steun op dezelfde wijze in.
- Draai de handkruk tot het zonneschermbediening volledig is ingerold.
- Controleer of het zonneschermbediening volledig is ingerold voordat u vertrekt. De geleiderail moet recht tegen de behuizing staan.
- Neem de handkruk uit de houder van het zonneschermbediening.




LET OP! Gevaar voor beschadiging.

Als het zonneschermbediening in natte toestand wordt ingerold, dit zo snel mogelijk weer uitrollen en laten drogen. Als het natte doek langdurig opgerold blijft, ontstaat schimmel en kan het doek verkleuren.

Zonneschermbediening met een 12 V-motor inrollen (alleen PW1500/PW1750, optioneel)

- Druk op de toets  van de schakelaar of de afstandsbediening tot het zonneschermbediening ongeveer 1,5 m is uitgerold. Positioneer de steunen elke 30 cm verticaal en onder de geleiderail zodat het zonneschermbediening steeds veilig wordt ondersteund.
- Klap de hendel van de rechtersteun omlaag om de steun los te maken.
- Schuif de steunen volledig in elkaar.
- Klep de rechtersteun omhoog.
- Draai de rechtersteun in de geleiderail.
- Schuif het onderste deel van de rechtersteun in de vergrendeling van de geleiderail.

- ▶ Schuif de andere steun op dezelfde wijze in.
- ▶ Druk op de toets  van de schakelaar of de afstandsbediening tot het zonnescherm compleet is uitgerold.
- ▶ Controleer of het zonnescherm volledig is ingerold voordat u vertrekt. De geleiderail moet rechtop tegen de behuizing staan.



LET OP! Gevaar voor beschadiging.

Als het zonnescherm in natte toestand wordt ingerold, dit zo snel mogelijk weer uitrollen en laten drogen. Als het natte doek langdurig opgerold blijft, ontstaat schimmel en kan het doek verkleuren.

7.4 Het rolgordijn uitrollen (alleen PW1750)

- ▶ Open de vergrendeling in het midden van de geleiderail (afb. **14**, pagina 8).
- ▶ Schuif de beugels rechts en links in de rails van het rolgordijn (afb. **15**, pagina 8).
- ▶ Leid de spanriemen of snoeren door de lussen van de beugels (afb. **15**, pagina 8).
- ▶ Trek het rolgordijn met beide handen aan de rail gelijkmatig omlaag (afb. **16**, pagina 8).
De maximale uittrekhoogte bedraagt 1,2 m.
- ▶ Bevestig de houders rechts en links aan de steunen (afb. **17**, pagina 9).
of
- ▶ Bevestig de snoeren met haringen (afb. **18**, pagina 9).

7.5 Het rolgordijn oprollen (alleen PW1750)

- ▶ Maak de bevestigingen van het rolgordijn los.
- ▶ Trek het rolgordijn omlaag (afb. **19**, pagina 9).
- ✓ Het rolgordijn rolt vanzelf in de geleiderail.
- ▶ Trek de houders rechts en links uit de rail (afb. **20**, pagina 10).
- ▶ Vergrendel de vergrendeling in het midden van de geleiderail (afb. **21**, pagina 10).

**LET OP! Gevaar voor beschadiging.**

Als het rolgordijn in natte toestand werd opgetrokken, laat het dan bij de volgende gelegenheid opnieuw neer en laat de doek drogen. Als het natte doek langdurig opgerold blijft, ontstaat schimmel en kan het doek verkleuren.

7.6 De 12 V-motor afstellen (alleen PW1500/PW1750, optioneel)

**INSTRUCTIE**

De 12 V-motor is voorge monteerd in de doekas.

- ▶ Indien het zonnescherm niet meer volledig sluit of opent, stelt u de 12 V-motor af (afb. **22**, pagina 10).

7.7 De batterijen van de afstandsbediening en de wand-schakelaar vervangen (alleen PW1500/PW1750, optioneel)

**INSTRUCTIE**

Als de led van de afstandsbediening na indrukken van een van de toetsen **niet** gaat branden, is de batterij van de afstandsbediening leeg.

- ▶ Open de behuizing (afb. **23** 1, pagina 11).
- ▶ Neem de oude batterij uit de houder.
- ▶ Plaats een nieuwe batterij (type CR2450 voor afstandsbediening, type CR2430 voor wand-schakelaar, afb. **23** 2, pagina 11) in de houder met de pluspolen omhoog.
- ▶ Monteer de afstandsbediening of wand-schakelaar.

**Bescherm uw milieu!**

Accu's en batterijen horen niet thuis in het huishoudelijke afval. Geef uw defecte of verbruikte of defecte accu's bij de leverancier of bij een verzamelpunt af.

8 Reiniging en onderhoud

8.1 Reinigen



LET OP! Gevaar voor beschadiging.

- Reinig het zonnescerm **nooit** met een hogedrukreiniger.
- Gebruik voor het reinigen geen bijtende reinigingsmiddelen of harde voorwerpen, het product zou hierdoor kunnen beschadigen.

- ▶ Verwijder grondig al het vuil (takken, bladeren en dergelijke) dat op het doek van het zonnescerm ligt om schuurplekken, vlekken en schimmel te vermijden. Bovendien kan het zonnescerm beschadigd raken als het wordt ingerold.
- ▶ Reinig het doek van het zonnescerm regelmatig om stof en vuil te verwijderen:
 - Gebruik hiervoor water met 30 g afwasmiddel en 30 g bleekmiddel op 10 liter water.
 - Zeep het doek daarmee in en laat de reinigingsvloeistof vijf minuten inwerken.
 - Spoel grondig met helder water na.
Zorg ervoor dat de reinigingsvloeistof met het bleekmiddel volledig afgewassen is. Anders kan het doek beschadigd raken.
 - Laat het doek drogen.



INSTRUCTIE

De fabrikant adviseert:

Gebruik voor de reiniging van het doek het Dometic zonnescerm-reinigingsmiddel (artikelnr. 9600000165, verkrijgbaar bij uw service-partner).

8.2 Smeren

- ▶ Behandel indien nodig de scharnieren van het zonnescerm met paraffinewas of teflon- of siliconeolie.

8.3 Controleren



WAARSCHUWING!

Gebruik het zonnescerm niet als er instellingen of onderhoud moeten worden uitgevoerd.

Als u schade vaststelt, neem dan contact op met de klantenservice in het betreffende land (adressen zie achterkant van de gebruiksaanwijzing).



INSTRUCTIE

Accessoires van Dometic, bijvoorbeeld kitnaden of schuimbanden, zijn onderhevig aan slijtage en veroudering door omgevingsinvloeden. Dit duidt niet op een slechte kwaliteit. Om de werking van deze onderdelen te garanderen, raadt Dometic aan rubberen afdichtingen en schuimbanden om de 5 jaar te vervangen.

- ▶ Controleer het zonnescerm regelmatig op onbalans en slijtage alsmede op beschadiging van kritieke onderdelen.
- ▶ Controleer het zonnescerm regelmatig:
 - Is het doek onbeschadigd?
 - Zijn de armen en de geleiderail onbeschadigd en zonder slijtagesporen?
 - Sluit het zonnescerm correct?

8.4 Draai de schroeven van de schouderscharnieren vast

De schroeven van het schouderscharnier moeten na eerste belastingen opnieuw worden vastgedraaid:

- Na de eerste vakantie met gebruik van het zonnescerm
- Na 20000 km rijden of zes maanden na montage van het zonnescerm (welke het eerste is)

Bovendien moeten de schroeven van het schouderscharnier bij de algemene periodieke keuring worden gecontroleerd.

Neem voor het vastdraaien van de schroeven contact op met uw servicepartner.

Instructies voor service (afb. 24, pagina 11)**LET OP!**

De zonneschermarmen moeten onbelast zijn. Dit om te voorkomen dat de momenten van de schroeven worden veranderd.

- ▶ Til de geleiderail iets op zodat de scharnieren lastvrij zijn.
- ▶ Draai de schroeven aan met 15 – 25 Nm.

8.5 Kleine gaatjes in het doek repareren

Kleine gaatjes in het doek of plaatsen waarop de coating is verdwenen, kunt u zelf repareren:

- ▶ Wrijf met een katoenen doek rondom de beschadigde plaats een beetje vloeibare vinylplamuur (artikelnr. 9103104018, verkrijgbaar via de klantenservice).
- ✓ De vloeibare vinylplamuur lost de coating op. De coating sluit het gat bij het drogen.
- ▶ Wacht tot de plek droog is voordat u het zonnescerm opnieuw inrolt.

9 Verhelpen van storingen**INSTRUCTIE**

Als een storing niet met de onderstaande tabel kan worden verholpen, neem dan contact op met de desbetreffende servicepartner in uw land (zie de achterzijde van de handleiding voor het adres).

Fout	Mogelijke oorzaak	Voorstel tot oplossing
Alleen PW1500/PW1750: De motor reageert niet op de afstandsbediening.	De batterij van de afstandsbediening is bijna leeg.	Druk kort op een van de toetsen \triangle of ∇ . Als de led van de afstandsbediening niet gaat branden, is de batterij leeg. Vervang de batterij, zie hoofdstuk „De batterijen van de afstandsbediening en de wandschakelaar vervangen (alleen PW1500/PW1750, optioneel)” op pagina 140.
	De afstandsbediening is niet meer of niet juist voor de motor ingesteld.	Programmeer de afstandsbediening opnieuw, zie de installatiehandleiding.
	Stroomvoorziening niet aanwezig	Controleer de elektrische verbindingen.
	De motor is defect.	Rol het zonnescherm handmatig in en raadpleeg de klantenservice in het desbetreffende land.

10 Garantie

De wettelijke garantieperiode is van toepassing. Als het product defect is, neem dan contact op met de detailhandel of met het filiaal van de fabrikant in uw land (zie dometic.com/dealer).

Stuur voor de afhandeling van reparaties of garantie volgende documenten mee:

- Een kopie van de factuur met datum van aankoop
- De reden voor de claim of een beschrijving van de fout

11 Afvoer

► Laat het verpakkingsmateriaal indien mogelijk recyclen.



Als u het product definitief buiten bedrijf stelt, informeer dan bij het dichtstbijzijnde recyclingcentrum of uw speciaalzaak naar de betreffende afvoervoorschriften.


12 Technische gegevens

PerfectWall PW1000					
Breedte:	2,6 m	3 m	3,5 m	4 m	4,5 m
Uitgerold:	2 m	2,5 m			
Gewicht:	18,6 kg	21 kg	24 kg	27 kg	30 kg

PerfectWall PW1500				
Breedte:	1,5 m	2,6 m	3 m	3,5 m
Uitgerold:	1 m	2 m	2,5 m	2,5 m / 2,75 m
Gewicht:	12 kg	18 kg	21 kg	24 kg

PerfectWall PW1500				
Breedte:	4 m	4,5 m	5 m	5,5 m
Uitgerold:	2,5 m / 2,75 m			
Gewicht:	27 kg	30 kg	33 kg	36 kg

PerfectWall PW1750			
Breedte:	3 m	3,5 m	4 m
Uitgerold:	2,5 m		
Gewicht:	26 kg	30 kg	33 kg

12 V-motor (alleen PW1500 en PW1750)	
Aansluitspanning:	12 V $\overline{=}$ (11 – 15 V)
Stroomsterkte:	7 A
Uitgangsvermogen:	84 W
Draaimoment:	35 Nm
Keuring/certificering:	

Læs og følg alle disse anvisninger, retningslinjer og advarsler i denne produktvejledning grundigt for at sikre, at du altid installerer, bruger og vedligeholder produktet korrekt. Disse anvisninger SKAL opbevares sammen med dette produkt.

Ved at benytte produktet bekræfter du hermed, at du har læst alle anvisninger, retningslinjer og advarsler grundigt, og at du forstår og er indforstået med de vilkår og betingelser, der er fastlagt heri. Du er indforstået med kun at bruge dette produkt til det beregnede formål og anvendelse i overensstemmelse med anvisningerne, retningslinjerne og advarslerne i denne produktvejledning samt i overensstemmelse med alle de gældende love og forskrifter. Manglende læsning og ignorering af disse anvisninger og advarsler kan medføre kvæstelser på dig selv og andre, skade på dit produkt eller skade på anden ejendom i nærheden. Der tages forbehold for eventuelle ændringer og opdateringer af denne produktvejledning samt anvisningerne, retningslinjerne og advarslerne samt den tilhørende dokumentation. Se dometic.com for de nyeste produktinformationer.



ADVARSEL!

- Denne vejledning skal læses og forstås, før apparatet betjenes, rengøres og der udføres servicearbejder.
- Dette produkt skal monteres af en specialist. Ukorrekt montering kan medføre alvorlige kvæstelser. Ændringer på produktet kan være ekstremt farlige og medføre alvorlige kvæstelser eller skade på apparatet.
- Opbevar denne vejledning med produktet. Ejeren skal læse den omhyggeligt.

Indholdsfortegnelse

1	Forklaring af symboler	147
2	Sikkerhedshenvisninger	147
3	Leveringsomfang	150
4	Tilbehør	150
5	Korrekt brug	151
6	Teknisk beskrivelse	152
7	Betjening af markisen	153
7.1	Bemærkning om køretøjets placering	153
7.2	Udkøring af markisen	153
7.3	Indkøring af markisen	156
7.4	Udrulning af gardinet (kun PW1750)	158
7.5	Oprulning af gardinet (kun PW1750)	158
7.6	Justering af 12 V-motoren (kun PW1500/PW1750, option)	159
7.7	Udskiftning af fjernbetjeningens og vægkontaktens batterier (kun PW1500/PW1750, option)	159
8	Rengøring og vedligeholdelse	160
8.1	Rengøring	160
8.2	Smøring	160
8.3	Kontrol	161

8.4	Spænd skruerne på det bageste hængsel	161
8.5	Lapning af små huller i stoffet	162
9	Udbedring af fejl	162
10	Garanti	163
11	Bortskaffelse	163
12	Tekniske data	164

1 Forklaring af symboler



ADVARSEL!

Sikkerhedshenvisning til en farlig situation, der kan medføre død eller alvorlige kvæstelser, hvis den ikke undgås.



VIGTIGT!

Henvisning til en situation, der kan medføre materielle skader, hvis den ikke undgås.



BEMÆRK

Supplerende informationer om betjening af produktet.

2 Sikkerhedshenvisninger

Overhold de foreskrevne sikkerhedshenvisninger og bestemmelser fra køretøjsproducenten og serviceværkstedet.



ADVARSEL! Manglende overholdelse af disse advarsler kan medføre dødelige eller alvorlige kvæstelser.

Sundhedsfare

- Kontrollér, at markisen er kørt fuldstændigt ind, før du begynder din rejse. Bevæg aldrig køretøjet, når markisen er åben.
- Kør aldrig, når håndsvinget er sat i. Fjern håndsvinget, før du begynder din rejse.

- Kør ikke køretøjet, hvis stoffer er beskadiget eller revnet, selv om markisen er kørt korrekt ind. Markisearmene holdes på plads af stoffet. Hvis stoffet revner, mens der køres, skyder markisen pludseligt ud. Det kan medføre alvorlige kvæstelser. Fastgør markisen, så den ikke kan køre ud pludseligt og uventet, mens du kører.
- Åbn **ikke** markisen under kørslen.
- Sørg for, at vand eller sne ikke samles på stoffet. I modsat fald kan det beskadige markisen, eller markisearmene kan kollapse og medføre alvorlige eller dødelige kvæstelser.
- Gå ikke hen til markisen
 - hvis den blev efterladt åben under kraftig vind
 - hvis der er dannet vandpytter på den
 - hvis der har samlet sig sne på den
 - hvis der er rester på markisestoffet.Markisen kan uventet bevæge sig, blive ustabil eller bøje eller brække af.
- Dette apparat kan anvendes af børn over 8 år og personer med reducerede fysiske, sans- eller mentale evner eller uden erfaring eller viden, hvis de er under opsyn eller blev instrueret i sikker brug af apparatet og forstår de involverede farer.
- Børn skal overvåges for at sikre, at de ikke leger med apparatet.

Fare for elektrisk stød

- **Som option til PW1500/PW1750:** Hvis markisens tilslutningskabel er beskadiget, skal det udskiftes af en ekspert.
- **Som option til PW1500/PW1750:** Afbryd strømforsyningen ved hjælp af tænd/sluk-kontakten, før du rengør køretøjet i nærheden af markisen eller selve markisen.
- **Som option til PW1500/PW1750: El-apparater er ikke legetøj!**
Opbevar fjernbetjeningen uden for børns rækkevidde. Sørg for, at børn ikke leger med vægkontakten (tilbehør).



FORSIGTIG! Manglende overholdelse af disse forsigtighedshenvisninger kan medføre mindre eller moderate kvæstelser.

Sundhedsfare

- Åbn **ikke** markisen ved kraftig vind eller i snevejr.
- Kør markisen ind, hvis kraftig vind, kraftig regn eller sne er forestående.

- Lad ikke den udkørte markise være uden opsyn. Kør markisen ind, før du forlader stedet.
- Hold en sikker afstand til markisen, når du griller eller har åben ild. Stoffet kan blive beskadiget af varme eller gå i brand.
- Rør ikke de bevægelige dele, mens markisen betjenes. Der er risiko for kvæstelser som følge af de bevægelige dele.
- **Som option til PW1500/PW1750:** Betjen kun markisen, når du kan se produktet direkte udefra.



VIGTIGT! Fare for beskadigelse

- Parkér autocamperen eller campingvognen på et sted, hvor rester (grene, blade eller lignende) ikke kan falde ned på stoffet.
- Markisens stof bør ikke hænge ned i kanterne og skal altid vær stramt. Hvis stoffet hænger ned, kan det gnide mod armene og blive beskadiget. Stoffet, der anvendes til lange markiser, må ikke hænge ned i midten.
- Kør kun markisen ind, når stoffet er fri for rester (grene, blade eller lignende). Ellers kan markisen kan blive beskadiget, når den køres ind.
- Hold markisen fri for snavs for at forhindre slid, pletter og mug.
- Kør kun markisen ind af sikkerhedsmæssige årsager, hvis den er våd. Kør den ud igen, så snart det er muligt. Ellers kan der dannes mug og pletter, eller farven kan falme.
- Bøj aldrig en markisearm eller afdækningen ned for at lade vand løbe af markisen. Det kan bøje markisen og påvirke dens funktion.
- Hæng ikke genstande på markisen, på den forreste afdækning eller markisearmene.
- Anvend ikke sprays (f.eks. insektbeskyttelsesmiddel, hårspray) i nærheden af markisen. Det vil tilsmudse stoffet, eller stoffets vandafvisende effekt mistes.
- Hvis der er utilstrækkelig plads over døren, når markisen er monteret, skal døren forblive lukket, når den køres ind og ud, så det undgås, at døren har kontakt med armene eller styreskinnen. Den påkrævede plads afhænger af dørens udformning (dørbredde, sving- eller skydedør) og den indstillede hældningsvinkel for markisen.

3 Leveringsomfang

Antal	Beskrivelse
1	Markise
1	Håndsving (kun markiser uden motor)
1	Spændestang (kun ved markiser fra en længde på 4 m)
1	Fjernbetjening (kun PW1500/PW1750, option)
1	Markisekontakt (kun PW1500/PW1750, option)
4	Pløkke
1	Betjeningsvejledning
1	Monteringsvejledning

4 Tilbehør

Kan fås som tilbehør (ikke indeholdt i leveringsomfanget):

Beskrivelse

TieDown Kit

Remme til at spænde markisen

CampRoom

Fortelt frontpanel og sider til forskellige modeller med støtteben i forskellige størrelser

RainProtect

Frontpanel og sider kan fås i forskellige størrelser

SunProtect

Frontpanel og sider kan fås i forskellige størrelser

Rollo+ (kun til PW1750)

Rullegardin

Dometic Light LK120

Lysdiodelyssæt med fjernbetjening til montering på markisearmene

LED LightStrip

LED-bånd kan fås i forskellige længder til montering på undersiden af markisen

Beskrivelse

Led Profile

Lysdiodelys kan fås i forskellige længder til montering på undersiden af vægmonterede markiser

Markiserengøringsmiddel

Specielt markiserengøringsmiddel

Repair Kit

Reparationslap til markise

5 Korrekt brug

PerfectWall PW1000, PW1500 og PW1750 er markiser, der er egnede til montering på autocampere og campingvogne.

Markiserne må ikke anvendes under kørslen.

Dette produkt er kun egnet til dets beregnede formål og anvendelse i overensstemmelse med disse anvisninger.

Denne vejledning giver dig oplysninger om, hvad der er nødvendigt med henblik på en korrekt montering og/eller drift af produktet. Dårlig montering og/eller ukorrekt drift eller vedligeholdelse medfører utilstrækkelig ydeevne og mulige fejl.

Producenten påtager sig intet ansvar for kvæstelser eller skader i forbindelse med produktet, der skyldes:

- Ukorrekt samling eller forbindelse inklusive for høj spænding
- Ukorrekt vedligeholdelse eller brug af uoriginale reservedele, der ikke stammer fra producenten
- Ændringer på produktet uden udtrykkelig tilladelse fra producenten
- Brug til andre formål end dem, der er beskrevet i vejledningen

Dometic forbeholder sig ret til at ændre produktets udseende og produktspecifikationer.

6 Teknisk beskrivelse

PerfectWall PW1000, PW1500 og PW1750 er markiser, der kan køres ind og ud ved hjælp af et håndsving.

PerfectWall PW1500 og PW1750 markiser kan som option også køres ud og ind med en 12 V-motor, som styres af kontakten eller fjernbetjeningen.

Markisen sikres med støtter på køretøjets væg eller på jorden.

PW1750 markisen har et rullegardin, der er integreret i styreskinnen, og som kan trækkes ud for at beskytte mod regn eller sol.

Betjeningsenheder på fjernbetjeningen (kun PW1500/PW1750, option)

Nr. på fig. 1 , side 3	Beskrivelse
1	Indkøring af markisen
2	Stop
3	Udkøring af markisen
4	Kontakt lysdiodelys tænd/sluk (tilbehør)

Betjeningsenheder på kontakten (kun PW1500/PW1750, option)

Nr. på fig. 1 , side 3	Beskrivelse
1	Indkøring af markisen
2	Stop
3	Udkøring af markisen

7 Betjening af markisen

Overhold sikkerhedshenvisningerne i kapitlet „Sikkerhedshenvisninger“ på side 147.

7.1 Bemærkning om køretøjets placering



VIGTIGT!

- Parkér køretøjet, så der ikke kommer rester (grene, blade eller lignende) på stoffet.
- Hold markisen fri for snavs for at forhindre slid, pletter og mug.

7.2 Udkøring af markisen

Udkøring af markisen med håndsving



ADVARSEL! Vær opmærksom på kvæstelser.

Hold tilstrækkelig afstand til genstande eller andre køretøjer. Når den er kørt ud, bør den være mindst 40 cm fra andre genstande og køretøjer på alle sider.

- ▶ Lad håndsvinget gå i indgreb i markisens holder (fig. **2**, side 3).
- ▶ Drej håndsvinget, indtil markisen er kørt ca. 1,5 m ud (fig. **3**, side 4).
- ▶ Skub den højre støtte i den forreste afskærmning fuldstændigt sammen, så du kan bevæge den frit (fig. **5**, side 5).
- ▶ Drej den højre støtte til side (fig. **5**, side 5).
- ▶ Klap den højre støtte ned, og stil den på jorden (fig. **6**, side 5).
- ▶ Indstil støtten på den ønskede højde (fig. **7**, side 6).
- ▶ Klap støttens håndtag op for at fastgøre støtten (fig. **8**, side 6).
- ▶ Kør den anden støtte ud på samme måde.
- ▶ Drej håndsvinget, indtil markisen er kørt ud til den ønskede stilling. Stil igen støtterne lodret under styreskinnen for hver 30 cm, så markisen altid holdes sikkert.
- ▶ Drej håndsvinget ca. en 1/4 omdrejning tilbage, så dugen strammes.



VIGTIGT! Vær opmærksom på skade.

Markisens stof bør ikke hænge ned i kanterne og skal altid være stramt. Hvis stoffet hænger ned, kan det gnide mod armene og blive beskadiget.

Stoffet, der anvendes til lange markiser, må ikke hænge ned i midten.

- Tag håndsvinget ud af markisens holder.

Udkøring af markisen med en 12 V-motor (kun PW1500/PW1750, option)



ADVARSEL! Vær opmærksom på kvæstelser.

Hold tilstrækkelig afstand til genstande eller andre køretøjer. Når den er kørt ud, bør den være mindst 40 cm fra andre genstande og køretøjer på alle sider.



BEMÆRK

Kun til betjening med fjernbetjeningen:

- Når køretøjet startes, kører markisen automatisk ind. Mens køretøjet kører, er markisen blokeret og kan ikke køres ud.
- Modtageren bipper en gang, når den tændes.
- Fjernbetjeningens funktion kan påvirkes ved interferens, hvis et andet apparat anvendes i nærheden på den samme frekvens.
- Opbevar fjernbetjeningen på et sikkert sted, mens du kører. Magneten i holderen er ikke beregnet til kraftige vibrationer som f.eks. pludselig opbremsning.

- Tryk på knappen ▽ på kontakten eller fjernbetjeningen, indtil markisen er kørt cirka 1,5 m ud (fig. 4, side 4).
- Skub den højre støtte i den forreste afskærmning fuldstændigt sammen, så du kan bevæge den frit (fig. 5, side 5).
- Drej den højre støtte til side (fig. 5, side 5).
- Klap den højre støtte ned, og stil den på jorden (fig. 6, side 5).
- Indstil støtten på den ønskede højde (fig. 7, side 6).
- Klap støttens håndtag op for at fastgøre støtten (fig. 8, side 6).
- Kør den anden støtte ud på samme måde.
- Tryk på knappen ▽ på kontakten eller fjernbetjeningen, indtil markisen er kørt ud til den påkrævede position. Stil igen støtterne lodret under styreskinnen for hver 30 cm, så markisen altid holdes sikkert.

- ▶ Tryk på knappen  på kontakten eller fjernbetjeningen, indtil markisen er kørt så langt ind, at dugen er spændt.



VIGTIGT! Vær opmærksom på skade.

Markisens stof bør ikke hænge ned i kanterne og skal altid være stramt. Hvis stoffet hænger ned, kan det gnide mod armene og blive beskadiget.

Stoffet, der anvendes til lange markiser, må ikke hænge ned i midten.

Placering af støtterne på jorden



ADVARSEL! Vær opmærksom på kvæstelser

- Stil kun støtterne på fast undergrund.
- Sørg for at sikre støtterne mod at glide væk.

- ▶ Stil støtterne lodret under styreskinnen.
- ▶ Sørg for at sikre støtterne med pløkker (fig. **9**, side 6).
- ▶ Indstil en af støtterne lidt lavere, så styreskinnen hænger lidt skråt. Så kan regn nemmere løbe af (fig. **10**, side 6).

Fastgørelse af støtterne på køretøjet

Du kan fastgøre markisen direkte på dit køretøj, når låsene for støtterne har monteret.

- ▶ Skub låsens afdækning op (fig. **11**, side 7).
- ▶ Sæt støtterne ind i låsen (fig. **11**, side 7).
- ▶ Skub låsens afdækning ned (fig. **11**, side 7).
- ▶ Indstil en af støtterne lidt lavere, så styreskinnen hænger lidt skråt. Så kan regn nemmere løbe af (fig. **12**, side 7).

Montering af spændestangen (fig. 13, side 7)

På parkiser med en længde på 4 meter eller mere skal der monteres en spændestang midt i markisen. Det forhindrer, at markisen hænger ned.

- Skub spændestangen sammen.
- Fastgør den øverste ende af spændestangen ind i holdeanordningen på huset.
- Skub den anden ende af spændestangen ind i holdeanordningen i styreskinnen.

7.3 Indkøring af markisen



VIGTIGT!

- Kør kun markisen ind, når stoffet er fri for rester (grene, blade eller lignende). Ellers kan markisen blive beskadiget, når den køres ind.
- Hold markisen fri for snavs for at forhindre slid, pletter og mug.
- Når markisen køres ind, skal du sørge for, at grene eller andre genstande ikke fanges i den.

- Fjern snavs (kviste, blade og lignende), der ligger på dugen.
- Løsn støtternes fastgørelse (pløkker eller lås på køretøjet).

Indkøring af markisen med håndsving

- Fastgør den øverste ende af håndsvinget i markisens holder.
- Drej håndsvinget, indtil markisen er kørt kun ca. 1,5 m ud. Stil igen støtterne lodret under styreskinnen for hver 30 cm, så markisen altid holdes sikkert.
- Klap den højre støttes håndtag ned for at løsne støtten.
- Skub støtterne fuldstændigt sammen.
- Klap den højre støtte op.
- Drej den højre støtte ind i styreskinnen.
- Skub den nederste del af den højre støtte ind i styreskinnens lås.
- Kør den anden støtte ind på samme måde.
- Drej håndsvinget, indtil markisen er kørt helt ind.

- ▶ Kontrollér, at markisen er kørt helt ind, før du kører. Styreskinnen skal ligge tæt op mod huset.
- ▶ Tag håndsvinget ud af markisens holder.

**VIGTIGT! Vær opmærksom på skade.**

Hvis markisen køres ind, mens den er våd, skal du køre den ud igen og lade stoffet tørre, så snart det er muligt. Hvis det våde stof forbliver rullet op i lang tid, dannes der mug, og stoffet kan falme.

Indkøring af markisen med en 12 V-motor (kun PW1500/PW1750, option)

- ▶ Tryk på knappen \triangle på kontakten eller fjernbetjeningen, indtil markisen kun er kørt cirka 1,5 m ud. Stil igen støtterne lodret under styreskinnen for hver 30 cm, så markisen altid holdes sikkert.
- ▶ Klap den højre støttes håndtag ned for at løsne støtten.
- ▶ Skub støtterne fuldstændigt sammen.
- ▶ Klap den højre støtte op.
- ▶ Drej den højre støtte ind i styreskinnen.
- ▶ Skub den nederste del af den højre støtte ind i styreskinnens lås.
- ▶ Kør den anden støtte ind på samme måde.
- ▶ Tryk på knappen \triangle på kontakten eller fjernbetjeningen, indtil markisen er kørt helt ind.
- ▶ Kontrollér, at markisen er kørt helt ind, før du kører. Styreskinnen skal ligge tæt op mod huset.

**VIGTIGT! Vær opmærksom på skade.**

Hvis markisen køres ind, mens den er våd, skal du køre den ud igen og lade stoffet tørre, så snart det er muligt. Hvis det våde stof forbliver rullet op i lang tid, dannes der mug, og stoffet kan falme.

7.4 Udrulning af gardinet (kun PW1750)

- ▶ Åbn låsen i midten af styreskinnen (fig. **14**, side 8).
- ▶ Skub holderne til højre og venstre ind i rullegardinets skinne (fig. **15**, side 8).
- ▶ Før spænderemme eller snore gennem holdernes løkker (fig. **15**, side 8).
- ▶ Træk med begge hænder rullegardinet regelmæssigt ned på skinnen (fig. **16**, side 8).
Den maks. udtrækshøjde er 1,2 m.
- ▶ Fastgør holderne til højre og venstre på støtterne (fig. **17**, side 9).
eller
- ▶ Fastgør snorene med pløkker (fig. **18**, side 9).

7.5 Oprulning af gardinet (kun PW1750)

- ▶ Løsn rullegardinets fastgørelser.
- ▶ Træk rullegardinet ned (fig. **19**, side 9).
- ✓ Rullegardinet ruller af sig selv ind i styreskinnen.
- ▶ Træk holderne til højre og venstre ud af skinnen (fig. **20**, side 10).
- ▶ Lås låsen i midten af styreskinnen (fig. **21**, side 10).



VIGTIGT! Vær opmærksom på skade.

Hvis rullegardinet blev rullet op i våd tilstand, skal du rulle det ud igen ved næste lejlighed og lade dugen tørre. Hvis den våde dug er rullet sammen i længere tid, dannes der skimmel, og dugen kan falme.

7.6 Justering af 12 V-motoren (kun PW1500/PW1750, option)



BEMÆRK

12 V-motoren er formonteret i dugakslen.

- ▶ Hvis markisen ikke længere lukkes eller åbnes fuldstændigt, skal du indstille 12 V-motoren (fig. **22**, side 10).

7.7 Udskiftning af fjernbetjeningens og vægkontaktens batterier (kun PW1500/PW1750, option)



BEMÆRK

Hvis lysdioden på fjernbetjeningen **ikke** lyser, når der trykkes på en af knapperne, er fjernbetjeningens batteri afladet.

- ▶ Åbn huset (fig. **23** 1, side 11).
- ▶ Fjern det gamle batteri fra holderen.
- ▶ Sæt et nyt batteri (type CR2450 til fjernbetjening, type CR2430 til vægkontakt, fig. **23** 2, side 11) i holderen, så den positive pol vender op.
- ▶ Saml fjernbetjeningen eller vægkontakten igen.



Beskyt miljøet!

Genopladelige og ikke genopladelige batterier hører ikke til i husholdningsaffaldet.

Aflever defekte genopladelige batterier og brugte batterier hos forhandleren eller ved et indsamlingssted.

8 Rengøring og vedligeholdelse

8.1 Rengøring

**VIGTIGT! Vær opmærksom på skade.**

- Rengør **aldrig** markisen med en højtryksrenser.
- Anvend ikke slibende rengøringsmidler eller hårde genstande under rengøring, da de kan beskadige produktet.

- Fjern alle rester (grene, blade eller lignende), der ligger på markisestoffet for at forhindre slid, pletter og mug. Markisen kan blive beskadiget, når den køres ind.
- Rengør markisestoffet regelmæssigt for at fjerne alt snavs og støv:
 - Anvend dertil vand med 30 ml opvaskemiddel og 30 ml blegemiddel i forhold til 10 l vand.
 - Vask stoffet med sæbe, og lad væske trænge ind i fem minutter.
 - Skyl grundigt med rent vand.
Sørg for, at rengøringsmidlet og blegemidlet vaskes helt af. Ellers kan det beskadige stoffet.
 - Lad stoffet tørre.

**BEMÆRK**

Producenten anbefaler:

Anvend Dometic markiserengøringsmiddel (artikel nr. 9600000165, kan fås hos din servicepartner) til at rengøre stoffet.

8.2 Smøring

- Smør markisens led med paraffinvoks, teflonolie eller silikoneolie, hvis det er nødvendigt.

8.3 Kontrol



ADVARSEL!

Anvend ikke markisen, hvis indstillinger eller vedligeholdelsesarbejde er påkrævet.

Hvis du opdager skader, bedes du kontakte en servicepartner i det pågældende land (se adresser på bagsiden af vejledningen).



BEMÆRK

Dometic-tilbehør som tætnende led eller skumgummilister er udsat for slid fra vind og vejr. Dette er ikke et tegn på dårlig kvalitet. For at sikre at disse dele fungerer, anbefaler Dometic at udskifte gummitætningerne og skumgummilisterne hvert 5. år.

- ▶ Kontrollér markisen regelmæssigt for ubalance og slid og skader på større dele.
- ▶ Kontrollér markisen regelmæssigt:
 - Er stoffet uden skade?
 - Er armene og styreskinnen uden skade uden tegn på slid?
 - Lukker markisen korrekt?

8.4 Spænd skruerne på det bageste hængsel

Skruerne på det bageste hængsel skal spændes igen, når den har været udsat for en belastning første gang:

- efter den første ferie med brug af markisen
- efter at have kørt 20000 km eller seks måneder efter, at markisen blev monteret (det, der indtræffer først)

Skruerne på det bageste hængsel skal også kontrolleres under den rutinemæssige køretøjsinspektion.

Kontakt en servicepartner i forbindelse med efterspændingen af skruerne.

Anvisning i forbindelse med service (fig. 24, side 11)



VIGTIGT!

Markisearmene skal være uden belastning. Det sker for at forhindre, at skruernes fastspændingsmoment bliver forkert.

- ▶ Løft styreskinnen lidt, så hængslet er uden belastning.
- ▶ Efterspænd skruerne med 15 – 25 Nm.

8.5 Lapning af små huller i stoffet

Du kan lappe alle små huller i stoffet eller dele, hvor belægning er faldet af:



- ▶ Anvend en bomuldsklud til at gnide omkring den beskadigede område med lidt flydende vinylplast (artikel nr. 9103104018, kan fås hos din servicepartner).
- ✓ Den flydende vinylplast opløser belægningen. Belægningen tætnet hullet, når den tørrer.
- ▶ Vent, indtil området er tørt, før du kører markisen ind igen.

9 Udbedring af fejl



BEMÆRK

Hvis du ikke kan udbedre en fejl ved hjælp af følgende tabel, skal du kontakte den relevante servicepartner i dit land (se bagsiden af vejledningen for adressen).

Fejl	Mulig årsag	Løsningsforslag
Kun PW1500/PW1750: Motoren reagerer på fjernbetjeningen.	Fjernbetjeningens batteri er afladet.	Tryk kortvarigt på en af knapperne  eller  . Hvis fjernbetjeningens lysdiode ikke lyser, er batteriet er afladet. Udskift batteriet, se kapitlet „Udskiftning af fjernbetjeningens og vægkontaktens batterier (kun PW1500/PW1750, option)“ på side 159.
	Fjernbetjeningen er ikke længere eller ikke korrekt indstillet til motoren.	Programmér fjernbetjeningen igen, se monteringsvejledningen.
	Strømforsyning ikke til rådighed	Kontrollér de elektriske forbindelser.
	Motoren er defekt.	Kør markisen ind manuelt, og kontakt servicepartneren i det pågældende land.

10 Garanti

Den lovbestemte garantiperiode gælder. Hvis produktet er defekt, bedes du kontakte din forhandler eller producentens afdeling i dit land (se dometic.com/dealer).

Ved reparation eller krav om garanti skal du medsende følgende bilag:

- en kopi af regningen med købsdato
- en reklamationsgrund eller en fejlbeskrivelse.

11 Bortskaffelse

► Bortskaf så vidt muligt emballagen sammen med det tilsvarende genbrugsaffald.



Hvis du tager produktet endegyldigt ud af drift, skal du kontakte det nærmeste recyclingcenter eller din faghandel for at få de pågældende forskrifter om bortskaffelse.


12 Tekniske data

PerfectWall PW1000					
Bredde:	2,6 m	3 m	3,5 m	4 m	4,5 m
Kørt ud:	2 m	2,5 m			
Vægt:	18,6 kg	21 kg	24 kg	27 kg	30 kg

PerfectWall PW1500				
Bredde:	1,5 m	2,6 m	3 m	3,5 m
Kørt ud:	1 m	2 m	2,5 m	2,5 m / 2,75 m
Vægt:	12 kg	18 kg	21 kg	24 kg

PerfectWall PW1500				
Bredde:	4 m	4,5 m	5 m	5,5 m
Kørt ud:	2,5 m / 2,75 m			
Vægt:	27 kg	30 kg	33 kg	36 kg

PerfectWall PW1750			
Bredde:	3 m	3,5 m	4 m
Kørt ud:	2,5 m		
Vægt:	26 kg	30 kg	33 kg

12 V motor (kun PW1500 og PW1750)	
Tilslutningsspænding:	12 V $\overline{\text{---}}$ (11 – 15 V)
Strømstyrke:	7 A
Udgangseffekt:	84 W
Drejemoment:	35 Nm
Godkendelse/certifikat:	

Läs och följ noggrant alla instruktioner, direktiv och varningar i den här produkthandboken för att säkerställa att du alltid installerar, använder och underhåller produkten på rätt sätt. Dessa instruktioner MÅSTE förvaras tillsammans med produkten.

Genom att använda produkten bekräftar du härmed att du noggrant har läst alla instruktioner, direktiv och varningar och att du förstår och är införstådd med att följa de villkor som anges häri. Du är införstådd med att endast använda denna produkt i avsett syfte och i enlighet med instruktionerna, direktiven och varningarna som anges i denna produkthandbok samt i enlighet med alla gällande lagar och bestämmelser. Om du inte läser och följer instruktionerna och varningarna som anges här kan det leda till personskador på dig eller andra, på produkten eller annan egendom i närheten. Denna produkthandbok, inklusive instruktionerna, direktiven och varningarna samt relaterad information, kan ändras och uppdateras. För uppdaterad produktinformation, besök dometic.com.



VARNING!

- Bruksanvisningen måste läsas och förstås före användning, rengöring och underhåll.
- Produkten måste monteras av en fackman. Vid felaktig montering föreligger risk för svåra personskador. Egenhändigt utförda modifieringar av produkten är förenat med betydande fara och kan leda till allvarliga personskador eller skador på produkten.
- Bruksanvisningen måste förvaras vid produkten. Innehavaren måste läsa den noggrant.

Innehållsförteckning

1	Förklaring av symboler	166
2	Säkerhetsanvisningar	166
3	Leveransomfattning	168
4	Tillbehör	169
5	Avsedd användning	170
6	Teknisk beskrivning	171
7	Använda markisen	172
7.1	Information om fordonets uppställningsplats	172
7.2	Fälla ut markisen	172
7.3	Fälla in markisen	175
7.4	Dra ut rullgardin (endast PW1750)	176
7.5	Dra upp rullgardin (endast PW1750)	177
7.6	Justera 12 V-motorn (endast PW1500/PW1750, tillval)	177
7.7	Byta batterier i fjärrkontrollen och väggkontakten (endast PW1500/PW1750, tillval)	177
8	Rengöring och skötsel	178
8.1	Rengöring	178
8.2	Smörja	178
8.3	Kontrollera	179

8.4	Efterdra skruvarna i länkarna	179
8.5	Laga små hål i duken	180
9	Felsökning	180
10	Garanti	180
11	Avfallshantering	181
12	Tekniska data	182

1 Förklaring av symboler



VARNING!

Säkerhetsanvisning för en farlig situation som, om den inte går att undvika, kan ge upphov till dödsfall eller allvarliga personskador.



OBSERVERA!

Anvisning för en situation som, om den inte går att undvika, kan ge upphov till materiella skador.



ANVISNING

Kompletterande information om användning av produkten.

2 Säkerhetsanvisningar

Beakta säkerhetsanvisningarna och riktlinjerna från fordonstillverkaren samt reglerna för bilmekaniska arbeten.



VARNING! Om man underlåter att följa de här varningarna kan följden bli dödsfall eller allvarlig personskada.

Hälsorisk

- Kontrollera att markisen är helt infälld innan körningen påbörjas. Kör aldrig fordonet när markisen är öppen.
- Kör aldrig med veven insatt. Ta bort veven innan körningen påbörjas.
- Kör inte fordonet om duken är skadad eller har en reva, även om markisen är helt infälld. Markisarmarna hålls fast av duken. Om duken rivs av under färd kan armarna åka ut. Det kan orsaka allvarliga skador. Fixera markisen så att den inte plötsligt eller oväntat åker ut under färd.

- Öppna **inte** markisen under körningen.
- Se till att inte vatten eller snö samlas på duken. Annars kan markisen skadas eller så kan markisarmarna brytas av och på så sätt kan allvarliga skador eller dödsfall orsakas.
- Kom inte för nära markisen
 - om den lämnats öppen vid stark blåst
 - om det bildats vattenpölar på den
 - om snö har hopats på den
 - om markisduken är kraftigt nedsmutsad.
 Annars kan markisen oväntat börja röra på sig, bli ostadig och deformeras eller gå av.
- Barn från åtta års ålder, personer med nedsatt fysisk, sensorisk eller mental förmåga, eller personer med bristande erfarenhet och kunskaper får använda den här apparaten förutsatt att de hålls under uppsikt eller om de har fått anvisningar om hur man använder den här apparaten på ett säkert sätt och känner till vilka risker som är förknippade med användningen.
- Barn måste hållas under uppsikt så att de inte leker med apparaten.

Risk för dödsfall på grund av elektricitet

- **Tillval för PW1500/PW1750:** Om markisens anslutningskabel är skadad måste den bytas ut av en expert.
- **Tillval för PW1500/PW1750:** Använd På/Av-knappen för att stänga av strömtillförseln innan du rengör fordonet i närheten av markisen eller själva markisen.
- **Tillval för PW1500/PW1750: Elapparater är inga leksaker.** Förvara fjärrkontrollen utom räckhåll för barn. Förhindra barn från att leka med väggkontakten (tillbehör).



AKTA! Om man underlåter att följa de här försiktighetsåtgärderna kan följden bli lindrig eller måttlig personskada.

Hälsorisk

- Öppna **inte** markisen vid kraftig blåst eller snöfall.
- Fäll in markisen om det väntas kraftig blåst, ihållande regn eller snöfall.
- Lämna inte den utfällda markisen utan uppsikt. Fäll in markisen innan du lämnar uppställningsplatsen.
- Grill inte med öppen eld i närheten av markisen. Duken kan skadas av hetta eller fäta eld.
- Vidrör inte rörliga delar medan markisen används. Det föreligger skaderisk på grund av rörliga delar.

- **Tillval för PW1500/PW1750:** Använd endast markisen när du kan se produkten direkt från utsidan.



OBSERVERA! Risk för skada

- Ställ husbilen eller husvagnen på en plats där inte smuts (kvistar, löv eller liknande) kan falla ner på duken.
- Markisens duk får inte hänga ner vid kanterna, utan måste vara spänd. Om markisen hänger ner kan den skava mot armarna och skadas. På långa markiser kan duken hänga ner i mitten.
- Fäll inte in markisen om det ligger smuts på duken (kvistar, löv eller liknande). Annars riskerar markisen att skadas när den fälls in.
- Se till att det inte hamnar smuts på markisen så att det inte uppstår skav, fläckar eller mögel.
- Om markisen är våt får du bara fälla in den av säkerhetsskäl. Fäll sedan ut den så fort som möjligt igen. Annars kan det bildas mögel eller fläckar på markisen eller färgen kan blekna.
- Böj aldrig ner en markisarm eller kappan för att ta bort vatten på markisen. Markisen kan böjas och orsaka skador på funktionen.
- Häng inga föremål på markisen, varken på frontlisten eller markisarmarna.
- Använd inga sprayer (t.ex. insektsspray, hårspray) i närheten av markisen. Duken kan smutsas ner eller så kan impregneringen skadas.
- Om det inte finns tillräckligt mycket fritt utrymme över dörren när markisen har monterats, ska dörren vara stängd när markisen fälls ut och in. På så sätt undviker man att armarna eller skenan vidrör dörren. Det fria utrymmet varierar beroende på dörrens konstruktion (dörrens bredd, svängdörr eller skjutdörr) och markisens inställda lutningsvinkel.

3 Leveransomfattning

Mängd	Beskrivning
1	Markis
1	Handvev (endast markiser utan motor)
1	Spännstång (endast på markiser med en längd från 4 m)
1	Fjärrkontroll (endast PW1500/PW1750, tillval)

Mängd	Beskrivning
1	Markiskontakt (endast PW1500/PW1750, tillval)
4	Pinnar
1	Bruksanvisning
1	Monteringsanvisning

4 Tillbehör

Följande tillbehör finns tillgängliga (ingår inte i leveransen):

Beskrivning

TieDown Kit

Remmar för fastspänning av markisen

CampRoom

Förtält med frontskydd och sidostycken för olika modeller med stödben i olika storlekar

RainProtect

Frontskydd och sidostycken i olika storlekar

SunProtect

Frontskydd och sidostycken i olika storlekar

Rollo+ (inte för PW1750)

Rullgardin

Dometic Light LK120

LED-belysningsssats med fjärrkontroll för montering på markisarmarna

LED LightStrip

LED-list finns i olika längder för montering på markisens undersida

LED-profil

LED-belysning finns i olika längder för montering på undersidan av väggmonterade markiser

Markisrengöringsmedel

Specialrengöringsmedel för markis

Repair Kit

Reparationslapp för markis

5 Avsedd användning

PerfectWall PW1000, PW1500 och PW1750 är markiser som lämpar sig för att monteras på husbilar och husvagnar.

Markiserna får endast användas när husbilen/husvagnen står still.

Den här produkten lämpar sig endast för avsedd användning i enlighet med denna bruksanvisning.

Den här manualen informerar om vad som krävs för att installera och/eller använda produkten på rätt sätt. Felaktig installation och/eller användning eller felaktigt underhåll kommer leda till att produkten inte fungerar optimalt och riskerar gå sönder.

Tillverkaren åtar sig inget ansvar för personskador eller materiella skador på produkten som uppstår till följd av:

- Felaktig montering eller anslutning, inklusive för hög spänning
- Felaktigt underhåll eller användning av reservdelar som inte är originaldelar från tillverkaren
- Ändringar som utförts utan uttryckligt medgivande från tillverkaren
- Användning för andra ändamål än de som beskrivs i denna bruksanvisning

Dometic förbehåller sig rätten att ändra produktens utseende och specifikationer.

6 Teknisk beskrivning

PerfectWall PW1000, PW1500 och PW1750 är markiser som kan fällas ut och in med en handvev.

Markiserna PerfectWall PW1500 och PW1750 kan som tillval även utrustas med 12 V motor för ut- och infällning. Motorn styrs med en väggkontakt eller fjärrkontroll.

Markisen fixeras i fordonsväggen eller i golvet med hjälp av stöd.

I skenan till markisen PW1750 har en rullgardin integrerats. Denna dras ut för att skydda mot regn eller sol.

Fjärrkontrollens reglage (endast PW1500/PW1750, tillval)

Nr på bild 1 , sida 3	Beskrivning
1	Fälla in markisen
2	Stoppa
3	Fälla ut markisen
4	Slå på/stänga av LED-belysning (tillbehör)

Väggkontaktens reglage (endast PW1500/PW1750, tillval)

Nr på bild 1 , sida 3	Beskrivning
1	Fälla in markisen
2	Stoppa
3	Fälla ut markisen

7 Använda markisen

Följ säkerhetsanvisningarna i kapitel "Säkerhetsanvisningar" på sidan 166.

7.1 Information om fordonets uppställningsplats



OBSERVERA!

- Ställ fordonet på en plats där inte smuts (kvislar, löv eller liknande) kan falla ner på duken.
- Se till att det inte hamnar smuts på markisen så att det inte uppstår skav, fläckar eller mögel.

7.2 Fälla ut markisen

Fälla ut markisen med handvev



VARNING! Risk för skador!

Lämna tillräckligt stort avstånd till föremål eller andra fordon. Efter att markisen har fällts ut måste avståndet vara minst 40 cm till andra föremål eller fordon runt om markisen.

- ▶ Haka fast handveven i markisens hållare (bild **2**, sida 3).
- ▶ Veva handveven tills markisen har fällts ut till cirka 1,5 m (bild **3**, sida 4).
- ▶ Skjut ihop stödet i höger frontkappa så att du kan röra det fritt (bild **5**, sida 5).
- ▶ Vrid det högra stödet åt sidan (bild **5**, sida 5).
- ▶ Fäll ner det högra stödet och ställ det på marken (bild **6**, sida 5).
- ▶ Ställ in stödet i önskad höjd (bild **7**, sida 6).
- ▶ När du vill fixera stödet fäller du upp spaken till stöden (bild **8**, sida 6).
- ▶ Kör ut det andra stödet på exakt samma sätt.
- ▶ Veva handveven tills markisen har fällts ut till önskad längd. Placera stöden lodrätt under skenan med ett avstånd på 30 cm från varandra så att markisen under alla omständigheter sitter säkert.
- ▶ Veva tillbaka handveven cirka 1/4 varv så att duken spännas.

**OBSERVERA! Risk för saksador!**

Markisens duk får inte hänga ner vid kanterna, utan måste vara spänd. Om markisen hänger ner kan den skava mot armarna och skadas. På långa markiser kan duken hänga ner i mitten.




- Lösgör handveven från markisens hållare.

Fälla ut markisen med en 12 V-motor (endast PW1500/PW1750, tillval)**VARNING! Risk för skador!**

Lämna tillräckligt stort avstånd till föremål eller andra fordon. Efter att markisen har fällts ut måste avståndet vara minst 40 cm till andra föremål eller fordon runt om markisen.

**ANVISNING****Endast vid användning av fjärrkontroll:**

- Markisen fälls in automatiskt när fordonet startas. Medan motorn är igång är markisen blockerad och kan inte fällas ut.
- Mottagaren avger en pipsignal när den kopplas till.
- Fjärrkontrollen kan påverkas av radiostörningar om en annan apparat i närheten använder samma frekvens.
- Förvara fjärrkontrollen på en säker plats medan du kör. Magneterna i hållaren är inte utformad för kraftiga vibrationer, som uppstår t.ex. vid plötsliga inbromsningar.

- Tryck på knappen  på väggkontakten eller fjärrkontrollen tills markisen fällts ut med ca 1,5 meter (bild **4**, sida 4).
- Skjut ihop stödet i höger frontkappa så att du kan röra det fritt (bild **5**, sida 5).
- Vrid det högra stödet åt sidan (bild **5**, sida 5).
- Fäll ner det högra stödet och ställ det på marken (bild **6**, sida 5).
- Ställ in stödet i önskad höjd (bild **7**, sida 6).
- När du vill fixera stödet fäller du upp spaken till stöden (bild **8**, sida 6).
- Kör ut det andra stödet på exakt samma sätt.
- Tryck på knappen  på väggkontakten eller fjärrkontrollen tills markisen fällts ut till positionen som behövs. Placera stöden lodrätt under skenan med ett avstånd på 30 cm från varandra så att markisen under alla omständigheter sitter säkert.
- Tryck på brytaren  på väggkontakten eller fjärrkontrollen för att fälla in markisen tills duken är spänd.

**OBSERVERA! Risk för saksador!**

Markisens duk får inte hänga ner vid kanterna, utan måste vara spänd. Om markisen hänger ner kan den skava mot armarna och skadas. På långa markiser kan duken hänga ner i mitten.

Ställa upp stöden på golvet**VARNING! Risk för skador**

- Stöden får bara ställas upp på fast underlag.
- Säkra stöden så att de inte glider iväg.

- ▶ Placera stöden i lodrätt läge under skenan.
- ▶ Fixera stöden med pinnar (bild **9**, sida 6).
- ▶ Placera ett av stöden lite djupare så att skenan hänger lite på sned. Detta gör att regnvatten kan rinna av enklare (bild **10**, sida 6).

Fästa stöden i fordonet

Markisen kan fästas direkt i fordonet när du har monterat stödlåsen.

- ▶ Flytta låsskyddet uppåt (bild **11**, sida 7).
- ▶ Fäst stöden i låset (bild **11**, sida 7).
- ▶ Flytta låsskyddet nedåt (bild **11**, sida 7).
- ▶ Placera ett av stöden lite djupare så att skenan hänger lite på sned. Detta gör att regnvatten kan rinna av enklare (bild **12**, sida 7).

Montera spännstången (bild **13, sida 7)**

På markiser som är 4 m eller längre måste en spännstång sättas fast i markisens mitt. På så sätt förhindrar man att markisen bågnar.

- ▶ Skjut ihop spännstången.
- ▶ Haka i spännstångens övre ände i höljets hållare.
- ▶ Skjut in spännstångens andra ände i hållaren som sitter i skenan.

7.3 Fälla in markisen



OBSERVERA!

- Fäll inte in markisen om det ligger smuts på duken (kvistar, löv eller liknande). Annars riskerar markisen att skadas när den fälls in.
- Se till att det inte hamnar smuts på markisen så att det inte uppstår skav, fläckar eller mögel.
- Se till att inga grenar eller andra föremål kläms fast när markisen fälls in.

- ▶ Ta bort all smuts (kvistar, löv eller liknande) som ligger på duken.
- ▶ Lossa på stödets fästianordningar (pinnar eller lås på fordonet).

Fälla in markisen med handvev



- ▶ Haka i handvevens övre ände i markisens hållare.
- ▶ Veva handveven tills markisen har fällts ut till cirka 1,5 m. Placera stöden lodrätt under skenan med ett avstånd på 30 cm från varandra så att markisen under alla omständigheter sitter säkert.
- ▶ När du vill lossa på stöden fäller du ner spaken till det högra stödet.
- ▶ Skjut ihop stöden helt och hållet.
- ▶ Fäll upp det högra stödet.
- ▶ Vrid in det högra stödet i skenan.
- ▶ Skjut in det högra stödets underdel i låset i skenan.
- ▶ Fäll in det andra stödet på exakt samma sätt.
- ▶ Vrid handveven tills markisen är helt infälld.
- ▶ Kontrollera att markisen är helt infälld innan körningen påbörjas. Skenan måste ligga tätt mot höljet.
- ▶ Lösgör handveven från markisens hållare.



OBSERVERA! Risk för saksador!

Om markisen fälls in när den är våt, fäll ut den igen och låt duken torka så fort detta är möjligt. Om den blöta duken inte fälls ut i tid, kan mögel bildas och duken blekna.

Fälla in markisen med en 12 V-motor (endast PW1500/PW1750, tillval)

- ▶ Tryck på knappen  på väggkontakten eller fjärrkontrollen tills markisen fällts ut med endast ca 1,5 meter. Placera stöden lodrätt under skenan med ett avstånd på 30 cm från varandra så att markisen under alla omständigheter sitter säkert.
- ▶ När du vill lossa på stöden faller du ner spaken till det högra stödet.
- ▶ Skjut ihop stöden helt och hållet.
- ▶ Fäll upp det högra stödet.
- ▶ Vrid in det högra stödet i skenan.
- ▶ Skjut in det högra stödets underdel i låset i skenan.
- ▶ Fäll in det andra stödet på exakt samma sätt.
- ▶ Tryck på knappen  på väggkontakten eller fjärrkontrollen tills markisen har fällts in helt.
- ▶ Kontrollera att markisen är helt infälld innan körningen påbörjas. Skenan måste ligga tätt mot höljet.

**OBSERVERA! Risk för saksador!**

Om markisen fälls in när den är våt, fäll ut den igen och låt duken torka så fort detta är möjligt. Om den blöta duken inte fälls ut i tid, kan mögel bildas och duken blekna.

7.4 Dra ut rullgardin (endast PW1750)

- ▶ Öppna låset i mitten av skenan (bild **14**, sida 8).
- ▶ Skjut in hållarna till vänster och höger i rullgardinens skenor (bild **15**, sida 8).
- ▶ För spännremmarna eller snörena genom hållarnas öglor (bild **15**, sida 8).
- ▶ Ta tag i skenan med båda händerna och dra rullgardinen jämnt nedåt (bild **16**, sida 8).
Max. utdragningshöjd är 1,2 m.
- ▶ Fäst höger och vänster hållare i stöden (bild **17**, sida 9).
eller
- ▶ Fäst snörena med pinnar (bild **18**, sida 9).

7.5 Dra upp rullgardin (endast PW1750)

- ▶ Lossa rullgardinens fästen.
- ▶ Dra rullgardinen nedåt (bild **19**, sida 9).
- ✓ Rullgardinen rullas automatiskt in i skenan.
- ▶ Dra ut höger och vänster hållare ur skenan (bild **20**, sida 10).
- ▶ Lås låset i mitten av skenan (bild **21**, sida 10).



OBSERVERA! Risk för saksador!

Om rullgardinen är blöt när den dras upp, dra ut den så snart som möjligt igen och låt den torka ordentligt. Om den blöta duken inte fälls ut i tid, kan mögel bildas och duken blekna.

7.6 Justera 12 V-motorn (endast PW1500/PW1750, tillval)



ANVISNING

12 V-motorn är förmonterad i dukens axel.

- ▶ Ställ in 12 V-motorn (bild **22**, sida 10) om markisen inte längre öppnas eller stängs fullständigt.

7.7 Byta batterier i fjärrkontrollen och väggkontakten (endast PW1500/PW1750, tillval)



ANVISNING

Om lysdioden på fjärrkontrollen **inte** tänds efter att man tryckt på en av knapparna, innebär det att fjärrkontrollens batteri är tomt.

- ▶ Öppna höljet (bild **23** 1, sida 11).
- ▶ Avlägsna det gamla batteriet från hållaren.
- ▶ Sätt i ett nytt batteri (typ CR2450 för fjärrkontroll, typ CR2430 för väggkontakt, bild **23** 2, sida 11) i hållaren med pluspolen vänd uppåt.

- Sätt ihop fjärrkontrollen eller väggkontakten igen.



Skydda miljön!

Varken laddningsbara batterier eller andra batterier hör hemma i hushållssoporna.

Lämna dina förbrukade eller defekta (laddningsbara) batterier till återförsäljaren eller till ett insamlingsställe.

8 Rengöring och skötsel

8.1 Rengöring



OBSERVERA! Risk för saksador!

- Använd **aldrig** högtryckstvätt för att rengöra markisen.
- Använd inga starka rengöringsmedel eller hårda föremål vid rengöring, det kan skada produkten.

- Ta bort all slags smuts (kvistar, löv eller liknande) som ligger på duken så att det inte uppstår skav, fläckar eller mögel. Dessutom kan markisen skadas när den fälls in.
- Rengör markisens duk regelbundet för att ta bort damm och smuts:
 - Använd vatten med 30 ml diskmedel och 30 ml blekmedel till 10 liter vatten.
 - Gnugga in rengöringsvätskan på duken och låt den verka i fem minuter.
 - Spola ordentligt med rent vatten.
Se till att rengöringsvätskan med blekmedlet är helt borttvättad. Annars kan duken skadas.
 - Låt duken torka.



ANVISNING

Tillverkaren rekommenderar:

Använd Dometics rengöringsmedel för markiser för rengöring av duken (art.nr 9600000165, erhålls från din servicepartner).

8.2 Smörja

- Smörj vid behov markisens leder med paraffinvax, teflon- eller silikonolja.

8.3 Kontrollera



VARNING!

Markisen får inte användas när apparaten behöver ställas in eller repareras.

Om du hittar några skador, kontakta din servicepartner (adresser hittar du på bruksanvisningens baksida).



ANVISNING

Dometic-tillbehör som tätningfogar eller skumremsor påverkas av miljöbetingat slitage. Detta är inte tecken på dålig kvalitet. För att säkerställa att dessa delar fungerar korrekt rekommenderar Dometic att man byter ut gummitätningarna och skumremorna vart femte år.

- ▶ Kontrollera med jämna mellanrum om markisen är i obalans, uppvisar slitage eller är skadad på kritiska platser.
- ▶ Kontrollera markisen regelbundet:
 - Är duken oskadad?
 - Är armarna och skenan oskadade och utan tecken på slitage?
 - Stängs markisen på rätt sätt?

8.4 Efterdra skruvarna i länkarna

Skruvarna på länken måste efterdras efter den första belastningen:

- efter den första semestern när markisen använts
- efter 20000 km körning eller sex månader efter montering av markisen (beroende på vad som inträffar först)

Dessutom ska skruvarna på länken kontrolleras vid den regelbundna fordonsbesiktningen.

Kontakta din servicepartner när skruvarna ska efterdras.

Anvisningar för service (bild 24, sida 11)



OBSERVERA!

Markisens armar får inte utsättas för någon belastning. Syftet med detta är att förhindra att skruvarnas åtdragningsmoment påverkas negativt.

- ▶ Lyft skenan lite så att gångjärnet inte belastas.
- ▶ Dra åt skruvarna med 15 – 25 Nm.

8.5 Laga små hål i duken

Små hål i duken eller skador på beläggningen kan du laga själv:

- ▶ Gnid in lite flytande vinyl med en bomullstrasa runt det skadade stället (artikelnr: 9103104018, finns hos din servicepartner).
- ✓ Den flytande vinylen löser upp beläggningen. Beläggningen stänger hålet när den torkar.
- ▶ Vänta tills platsen är torr innan du fäller in markisen igen.

9 Felsökning



ANVISNING

Om du inte kan åtgärda ett fel med följande tabell, kontakta den aktuella servicepartnern i ditt land (adresser finns på bruksanvisningens baksida).

Fel	Möjlig orsak	Lösning
Endast PW1500/PW1750: Motorn svarar inte på fjärrkontrollen.	Fjärrkontrollens batteri är tomt.	Tryck kort på knappen \triangle eller ∇ . Om fjärrkontrollens lysdiod inte tänds är batteriet tomt. Byt batteriet, se kapitel "Byta batterier i fjärrkontrollen och väggkontakten (endast PW1500/PW1750, tillval)" på sidan 177.
	Fjärrkontrollen är inte längre eller är felaktigt inställd till motorn.	Programmera fjärrkontrollen på nytt, se monteringsanvisningen.
	Strömförsörjning saknas	Kontrollera elkablarna.
	Motorn är defekt.	Fäll in markisen manuellt och kontakten servicepartnern i det aktuella landet.

10 Garanti

Den lagstadgade garantitiden gäller. Kontakta din återförsäljare eller tillverkarens representant i ditt land (se dometic.com/dealer) om produkten är defekt.

Vid reparations och garantiärenden ska följande dokument skickas med när du returnerar produkten:

- En kopia på fakturan med inköpsdatum
- En reklamerationsbeskrivning eller felbeskrivning

11 Avfallshantering

- Lämna om möjligt förpackningsmaterialet till återvinning.



När produkten slutgiltigt tas ur bruk: informera dig om gällande bestämmelser hos närmaste återvinningscentral eller hos återförsäljaren.


12 Tekniska data

PerfectWall PW1000					
Bredd:	2,6 m	3 m	3,5 m	4 m	4,5 m
Utfall:	2 m	2,5 m			
Vikt:	18,6 kg	21 kg	24 kg	27 kg	30 kg

PerfectWall PW1500				
Bredd:	1,5 m	2,6 m	3 m	3,5 m
Utfall:	1 m	2 m	2,5 m	2,5 m/2,75 m
Vikt:	12 kg	18 kg	21 kg	24 kg

PerfectWall PW1500				
Bredd:	4 m	4,5 m	5 m	5,5 m
Utfall:	2,5 m/2,75 m			
Vikt:	27 kg	30 kg	33 kg	36 kg

PerfectWall PW1750			
Bredd:	3 m	3,5 m	4 m
Utfall:	2,5 m		
Vikt:	26 kg	30 kg	33 kg

12 V-motor (endast PW1500 och PW1750)	
Anslutningsspänning:	12 V $\overline{\text{---}}$ (11 – 15 V)
Strömstyrka:	7 A
Uteffekt:	84 W
Vridmoment:	35 Nm
Provning/certifikat:	

Vennligst les disse instruksjonene nøye og følg alle instruksjoner, retningslinjer og advarsler som er inkludert i denne produktveiledningen for å sikre at du installerer, bruker og vedlikeholder produktet ordentlig til enhver tid. Disse instruksjonene MÅ følge med dette produktet.

Ved å bruke dette produktet bekrefter du at du har lest alle instruksjoner, retningslinjer og advarsler nøye, og at du forstår og aksepterer å overholde betingelsene og vilkårene slik de er presentert her. Du godtar å bruke dette produktet kun til tiltenkt formål og anvendelse, og i samsvar med instruksjonene, retningslinjene og advarslene slik de er presentert i denne produktveiledningen, så vel som i samsvar med alle gjeldende lovbestemmelser og forskrifter. Hvis instruksjonene og advarslene som er presentert her, ikke blir lest og fulgt, kan dette resultere i personskader hos deg selv eller andre, skade på produktet eller skade på annen eiendom i nærheten. Denne produktveiledningen, inkludert instruksjonene, retningslinjene og advarslene, samt relatert dokumentasjon, kan være underlagt endringer og oppdateringer. For oppdatert produktinformasjon, se dometic.com.



ADVARSEL!

- Før bruk, rengjøring og vedlikehold må du lese og forstå denne veiledningen.
- Dette produktet må monteres av en fagperson. Feil montering kan føre til alvorlige personskader. Ombygginger på produktet kan være svært farlig og føre til alvorlige personskader eller til skader på apparatet.
- Denne veiledningen skal oppbevares sammen med produktet. Eierne må lese nøye gjennom den.

Innholdsfortegnelse

1	Symbolforklaring	184
2	Sikkerhetsregler	184
3	Leveringsomfang	187
4	Tilbehør	187
5	Forskriftmessig bruk	188
6	Teknisk beskrivelse	189
7	Betjene markisen	190
7.1	Anvisninger om plassering av kjøretøyet	190
7.2	Kjøre ut markisen	190
7.3	Kjøre inn markisen	193
7.4	Rulle ut gardinen (kun PW1750)	195
7.5	Rulle opp gardinen (kun PW1750)	195
7.6	Justere 12 V motoren (kun PW1500/PW1750, ekstrastyr)	196
7.7	Skifte batteriene til fjernkontrollen og veggbryteren (kun PW1500/PW1750, ekstrastyr)	196
8	Rengjøring og vedlikehold	197
8.1	Rengjøring	197
8.2	Smøring	197
8.3	Kontroller	198

8.4	Trekk til skruene på skulderleddet	198
8.5	Reparere små hull i duken	199
9	Feilretting	199
10	Garanti	199
11	Avfallsbehandling	200
12	Tekniske spesifikasjoner	201

1 Symbolforklaring



ADVARSEL!

Sikkerhetshenvisning til en faresituasjon som kan føre til alvorlige personskader, eventuelt med døden til følge, dersom de ikke blir unngått.



PASS PÅ!

Henvisning til en situasjon som kan føre til tingskader dersom den ikke blir unngått.



MERK

Utfyllende informasjon om betjening av produktet.

2 Sikkerhetsregler

Følg sikkerhetsregler og vilkår fra kjøretøyprodusent og serviceverksteder.



ADVARSEL! Manglende overholdelse av disse advarslene kan resultere i alvorlige personskader, eventuelt med døden til følge.

Helsefare

- Før turen starter, må du kontrollere om markisen er kjørt helt inn. Ikke sett kjøretøyet i bevegelse mens markisen er åpen.
- Kjør aldri med sveiven hengt inn. Ta av sveiven før du skal kjøre.

- Ikke kjør kjøretøyet hvis duken er skadet eller revet opp, selv om markisen er forskriftsmessig lukket. Markisearmene holdes på plass av duken. Hvis duken går i stykker under kjøring, farer markisen plutselig ut. Dette kan føre til alvorlige personskader. Sikre markisen slik at den ikke kan kjøres plutselig og uventet ut under kjøring.
- Markisen må **ikke** åpnes under kjøringen.
- Påse at det ikke samler seg vann eller snø på duken. Ellers kan markisen bli skadet, eller markisearmene kan knekke og dermed føre til alvorlige personskader eller også dødsfall.
- Ikke opphold deg i nærheten av markisen
 - hvis den er blitt stående ute i kraftig vind
 - hvis det har dannet seg vanddammer på den
 - hvis det har samlet seg snø på den
 - hvis det er mye grov smuss på markisedukenMarkisen kan bevege seg uventet, bli ustabil og bli bøyd eller knekke.
- Dette apparatet kan brukes av barn fra 8 år og oppover og personer med reduserte fysiske, sensoriske eller mentale evner eller som mangler erfaring og kunnskap, hvis de er under oppsyn eller har fått veiledning i hvordan apparatet brukes på en forsvarlig måte og forstår hvilke farer det innebærer.
- Barn skal være under tilsyn for å sikre at de ikke leker med apparatet.

Fare for elektrisk støt

- **Ekstraustyr for PW1500/PW1750:** Hvis tilkoblingskabelen til markisen er skadet, må den skiftes av fagfolk.
- **Ekstraustyr for PW1500/PW1750:** Koble fra strømtilførselen ved hjelp av av/på-bryteren før du rengjør kjøretøyet i nærheten av markisen eller selve markisen.
- **Ekstraustyr for PW1500/PW1750: Elektriske apparater er ikke leketøy.**
Oppbevar fjernkontrollen utenfor barns rekkevidde. Forhindre at barn leker med veggbrytere (ekstraustyr).



FORSIKTIG! Manglende overholdelse av disse forsiktighetsvarslene kan resultere i mindre til moderate personskader.

Helsefare

- **Ikke** åpne markisen når det er kraftig vind eller det snør.
- Kjør inn markisen hvis det er forventet kraftig vind eller regn eller snø.
- Ikke la en utkjørt markise være uten oppsyn. Kjør inn markisen før du forlater oppholdsstedet ditt.

- Grilling med åpen ild må utføres i sikker avstand fra markisen. Duken kan bli ødelagt av varmen, eller den kan ta fyr.
- Ikke berør deler som beveger seg, mens du monterer markisen. Det er risiko for personskader ved bevegelige deler.
- **Ekstraustyr for PW1500/PW1750:** Betjen markisen bare når du kan se den direkte fra utsiden.



PASS PÅ! Fare for skader

- Plasser bobilen eller campingvognen slik at det ikke kan komme smuss (greiner, løv eller lignende) på duken.
- Duken på markisen må ikke være slakk langs kantene, men må hele tiden være stram. Hvis duken er slakk, kan den gni borti armene og bli ødelagt.
På lange markiser kan duken henge ned i midten.
- Kjør inn markisen kun når det ikke er smuss på duken (greiner, løv e.l.). I motsatt fall kan markisen bli skadet når den kjøres inn.
- Hold markisen fri for smuss for å hindre slitasjeskader, flekker og muggdannelse.
- En våt markise skal kun kjøres inn av sikkerhetsmessige årsaker. Kjør den ut igjen så snart som mulig. I motsatt fall kan det danne seg mugg eller flekker, eller fargen kan blekne.
- Bøy aldri en markisearm eller veggen ned for å fjerne vannet på markisen. Dette kan føre til at markisen bøyer seg for mye, slik at funksjonen blir redusert.
- Ikke heng gjenstander på markisen, verken på frontveggen eller på markisearmene.
- Ikke bruk noen form for spray (f. eks. insektspray, hårspray) i nærheten av markisen. Duken blir tilsmusset eller impregneringen kan bli redusert.
- Hvis det ikke er tilstrekkelig klaring over døren etter at markisen er montert, må døren være lukket mens man kjører markisen inn og ut for å unngå at døren kommer i kontakt med armene eller frontlisten. Nødvendig klaring avhenger av dørens konstruksjonsmåte (dørbredde, sving- eller skyvedør) og av innstilt helningsvinkel på markisen.

3 Leveringsomfang

Antall	Beskrivelse
1	Markise
1	Sveiv (kun markiser uten motor)
1	Spenningsstang (kun ved markiser med 4 m lengde og mer)
1	Fjernkontroll (kun PW1500/PW1750, ekstrautstyr)
1	Markisebryter (kun PW1500, PW1750, ekstrautstyr)
4	Plugg
1	Bruksanvisning
1	Monteringsveiledning

4 Tilbehør

Tilgjengelig som tilbehør (ikke inkludert i leveransen):

Beskrivelse
TieDown Kit Remmer for stabilisering av markisen
CampRoom Fortelt frontskjerm og sider for forskjellige modeller med støttebein i forskjellige størrelser
RainProtect Frontskjerm og sider tilgjengelig i forskjellige størrelser
SunProtect Frontskjerm og sider tilgjengelig i forskjellige størrelser
Rollo+ (ikke for PW1750) Rullegardin
Dometic Light LK120 LED-belysningssett med fjernkontroll for montering på markisearmene
LED LightStrip LED-stripe tilgjengelig i forskjellige lengder for installasjon på undersiden av markisen

Beskrivelse

Led-profil

LED-lys tilgjengelig i forskjellige lengder for installasjon på undersiden av veggmonterte markiser

Markiserens

Spesiell markiserens

Repair Kit

Markise-reparasjonslapp

5 Forskriftsmessig bruk

PerfectWall PW1000, PW1500 og PW1750 markiser er egnet for installasjon på bobiler eller campingvogner.

Markisene må kun benyttes mens kjøretøyet står stille.

Dette produktet er kun egnet for det tiltenkte formålet og anvendelsen i samsvar med disse instruksjonene.

Denne håndboken gir informasjon som er nødvendig for en ordentlig installasjon og/eller drift av produktet. Dårlig installasjon og/eller upassende drift eller vedlikehold vil resultere i en utilfredsstillende ytelse og en mulig svikt.

Produsenten påtar seg intet ansvar for personskader eller materielle skader på produktet som følge av:

- Ikke korrekt montering eller tilkobling, inkludert for høy spenning
- Ikke korrekt vedlikehold eller bruk av reservedeler foruten de originale reservedelene som leveres av produsenten
- Endringer på produktet uten at det er gitt uttrykkelig godkjenning av produsenten
- Bruk til andre formål enn det som er beskrevet i denne håndboken

Dometic forbeholder seg rettigheten til å endre produktet ytre og produktspesifikasjoner.

6 Teknisk beskrivelse

PerfectWall PW1000, PW1500 og PW1750 er markiser som kan kjøres inn og ut med en håndsveiv.

PerfectWall PW1500 og PW1750 markiser kan som ekstrautstyr også kjøres ut og inn med en 12 V motor som styres med en bryter eller en fjernkontroll.

Markisen sikres med støtter på kjøretøyveggen eller på bakken.

Markisen PW1750 har en rullegardin integrert i føringskinnen, og som kan trekkes ut som beskyttelse mot regn eller sol.

Kontrollene til fjernkontrollen (kun PW1500/PW1750, ekstrautstyr)

Nr. i fig. 1, side 3	Beskrivelse
1	Kjøre inn markisen
2	Stopp
3	Kjør ut markisen
4	Bryter LED-belysning på/av (ekstrautstyr)

Kontrollene til bryteren (kun PW1500/PW1750, ekstrautstyr)

Nr. i fig. 1, side 3	Beskrivelse
1	Kjøre inn markisen
2	Stopp
3	Kjør ut markisen

7 Betjene markisen

Følg sikkerhetsreglene i kapittel «Sikkerhetsregler» på side 184.

7.1 Anvisninger om plassering av kjøretøyet



PASS PÅ!

- Plasser kjøretøyet slik at det ikke kan komme smuss (greiner, løv eller lignende) på duken.
- Hold markisen fri for smuss for å hindre slitasjeskader, flekker og muggdannelse.

7.2 Kjøre ut markisen

Kjøre ut markisen med hånd sveiv



ADVARSEL! Fare for personskader.

Ha tilstrekkelig avstand til gjenstander eller andre kjøretøy. Når markisen er kjørt ut, må det være en minimumsavstand på 40 cm til andre gjenstander eller kjøretøy.

- Sett hånd sveiven inn i festet på markisen (fig. **2**, side 3).
- Drei hånd sveiven til markisen er kjørt ut ca. 1,5 m (fig. **3**, side 4).
- Skyv den høyre støtten i frontskjermen helt sammen slik at du kan bevege den fritt (fig. **5**, side 5).
- Drei den høyre støtten til siden (fig. **5**, side 5).
- Vipp den høyre støtten ned og bort og sett den ned på bakken (fig. **6**, side 5).
- Still inn støtten i ønsket høyde (fig. **7**, side 6).
- Vipp hendelen på støtten opp for å sette fast støtten (fig. **8**, side 6).
- Kjør inn den andre støtten på samme måte.
- Drei hånd sveiven til markisen er kjørt ut til ønsket posisjon. Plasser støttene lodrett og tilbake under føringskinnen hver 30 cm slik at markisen holdes sikkert på plass.
- Drei hånd sveiven ca. en kvart omdreining tilbake, slik at duken strammes.



PASS PÅ! Fare for ødeleggelse.

Duken på markisen må ikke være slakk langs kantene, men må hele tiden være stram. Hvis duken er slakk, kan den gni borti armene og bli ødelagt.

På lange markiser kan duken henge ned i midten.

- Ta håndsveiven ut av festet på markisen.

Kjøre ut markisen med en 12 V motor (kun PW1500/PW1750, ekstraustyr)



ADVARSEL! Fare for personskader.


Ha tilstrekkelig avstand til gjenstander eller andre kjøretøy. Når markisen er kjørt ut, må det være en minimumsavstand på 40 cm til andre gjenstander eller kjøretøy.





MERK

Kun for betjening med fjernkontrollen:

- Når kjøretøyet blir startet, trekkes markisen inn automatisk. Når kjøretøyet kjører, er markisen blokkert og kan ikke kjøres ut.
- Mottakeren piper en gang når den blir slått på.
- Betjeningen av fjernkontrollen kan bli påvirket av interferens hvis en annen enhet på samme frekvens brukes i nærheten.
- Oppbevar fjernkontrollen på et sikkert sted mens du kjører. Magneten i holderen er ikke beregnet på kraftige vibrasjoner, som ved plutselig bremsing.

- Trykk knappen  til bryteren eller fjernkontrollen til markisen er kjørt ut omtrent 1,5 meter (fig. **4**, side 4).
- Skyv den høyre støtten i frontskjermen helt sammen slik at du kan bevege den fritt (fig. **5**, side 5).
- Drei den høyre støtten til siden (fig. **5**, side 5).
- Vipp den høyre støtten ned og bort og sett den ned på bakken (fig. **6**, side 5).
- Still inn støtten i ønsket høyde (fig. **7**, side 6).
- Vipp hendelen på støtten opp for å sette fast støtten (fig. **8**, side 6).
- Kjør inn den andre støtten på samme måte.

- ▶ Trykk knappen  til bryteren eller fjernkontrollen til markisen er kjørt ut til ønsket posisjon. Plasser støttene loddrett og tilbake under føringskinnen hver 30 cm slik at markisen holdes sikkert på plass.
- ▶ Trykk knappen  til bryteren eller fjernkontrollen til markisen er trukket nok tilbake for å stramme duken.

**PASS PÅ! Fare for ødeleggelse.**

Duken på markisen må ikke være slakk langs kantene, men må hele tiden være stram. Hvis duken er slakk, kan den gni borti armene og bli ødelagt.

På lange markiser kan duken henge ned i midten.

Plassere støttene på bakken**ADVARSEL! Fare for personskader**

- Støtten skal kun plasseres på et fast underlag.
- Sikre støtten slik at de ikke kan gli.

- ▶ Plasser støttene loddrett under føringskinnen.
- ▶ Sikre støttene med plugger (fig. **9**, side 6).
- ▶ Still inn den ene støtten litt lavere, slik at føringskinnen henger litt på skrå. Da kan regnet renne av lettere (fig. **10**, side 6).

Feste støttene på kjøretøyet

Du kan feste markisen direkte på kjøretøyet hvis du har montert festene for støttene.

- ▶ Skyv opp dekslet på festet (fig. **11**, side 7).
- ▶ Sett støttene inn i festet (fig. **11**, side 7).
- ▶ Skyv ned dekslet på festet (fig. **11**, side 7).
- ▶ Still inn den ene støtten litt lavere, slik at føringskinnen henger litt på skrå. Da kan regnet renne av lettere (fig. **12**, side 7).

Montere spenningsstang (fig. 13, side 7)

På markiser som er 4 m eller lenger, må det festes en spenningsstang midt på markisen. Dette hindrer at markisen blir hengende ned på midten.

- Skyv sammen spenningsstangen.
- Sett den øverste enden på spenningsstangen inn i festet på huset.
- Skyv den andre enden på spenningsstangen inn i festet på føringskinnen.

7.3 Kjøre inn markisen



PASS PÅ!

- Kjør inn markisen kun når det ikke er smuss på duken (greiner, løv e.l.). I motsatt fall kan markisen bli skadet når den kjøres inn.
- Hold markisen fri for smuss for å hindre slitasjeskader, flekker og muggdannelse.
- Når markisen kjøres inn, må du påse at greiner eller andre gjenstander ikke kommer i klem.

- Fjern smuss (greiner, løv og lignende) som ligger på duken.
- Løsne festene på støttene (plugger eller fester på kjøretøyet).

Kjøre inn markisen med håndsveiv

- Sett den øverste enden på håndsveiven inn i festet på markisen.
- Drei håndsveiven til markisen er kjørt ut med kun omtrent 1,5 m. Plasser støttene loddrett og tilbake under føringskinnen hver 30 cm slik at markisen holdes sikkert på plass.
- Vipp hendelen på den høyre støtten ned for å løsne støtten.
- Skyv støtten helt sammen.
- Vipp den høyre støtten oppover.
- Drei den høyre støtten inn i føringskinnen.
- Skyv den nederste delen på høyre støtte inn i festet på føringskinnen.
- Kjør inn den andre støtten på samme måte.
- Drei håndsveiven til markisen er kjørt helt inn.

- ▶ Kontroller at markisen er kjørt helt inn før du kjører. Føringskinnen må ligge helt inntil kapslingen.
- ▶ Ta håndsveiven ut av festet på markisen.

**PASS PÅ! Fare for ødeleggelse.**

Hvis markisen kjøres inn når den er våt, kjør den ut igjen og la duken tørke ved neste mulighet. Hvis den våte duken er rullet inn over lengre tid, vil det danne seg mugg på duken og duken kan blekne.

Trekke inn markisen med en 12 V motor (kun PW1500/PW1750, ekstrautstyr)

- ▶ Trykk knappen \triangle til bryteren eller fjernkontrollen til markisen kun er kjørt ut omtrent 1,5 meter. Plasser støttene loddrett og tilbake under føringskinnen hver 30 cm slik at markisen holdes sikkert på plass.
- ▶ Vipp hendelen på den høyre støtten ned for å løsne støtten.
- ▶ Skyv støtten helt sammen.
- ▶ Vipp den høyre støtten oppover.
- ▶ Drei den høyre støtten inn i føringskinnen.
- ▶ Skyv den nederste delen på høyre støtte inn i festet på føringskinnen.
- ▶ Kjør inn den andre støtten på samme måte.
- ▶ Trykk knappen \triangle til bryteren eller fjernkontrollen til markisen er trukket helt inn.
- ▶ Kontroller at markisen er kjørt helt inn før du kjører. Føringskinnen må ligge helt inntil kapslingen.

**PASS PÅ! Fare for ødeleggelse.**

Hvis markisen kjøres inn når den er våt, kjør den ut igjen og la duken tørke ved neste mulighet. Hvis den våte duken er rullet inn over lengre tid, vil det danne seg mugg på duken og duken kan blekne.

7.4 Rulle ut gardinen (kun PW1750)

- ▶ Åpne sperren midt på føringskinnen (fig. **14**, side 8).
- ▶ Skyv holderne til høyre og venstre inn i skinnene på rullegardinen (fig. **15**, side 8).
- ▶ Før spennreimene eller snorene gjennom løkkene på holderne (fig. **15**, side 8).
- ▶ Trekk rullegardinen jevnt nedover i skinnen med begge hendene samtidig (fig. **16**, side 8).
Den maksimale uttrekkshøyden er 1,2 m.
- ▶ Fest holderne til høyre og venstre på støttene (fig. **17**, side 9).
eller
- ▶ Fest snorene med pluggen (fig. **18**, side 9).

7.5 Rulle opp gardinen (kun PW1750)

- ▶ Løsne festene på rullegardinen.
- ▶ Trekk rullegardinen nedover (fig. **19**, side 9).
- ✓ Rullegardinen ruller automatisk inn i føringskinnen.
- ▶ Trekk holderne på høyre og venstre side ut av skinnen (fig. **20**, side 10).
- ▶ Lukk sperren midt på føringskinnen (fig. **21**, side 10).



PASS PÅ! Fare for ødeleggelse.

Hvis markisen er blitt rullet inn i våt tilstand: Rull den ut igjen ved neste anledning, slik at duken kan tørke. Hvis den våte duken er rullet inn over lengre tid, vil det danne seg mugg på duken og duken kan blekne.

7.6 Justere 12 V motoren (kun PW1500/PW1750, ekstrautstyr)



MERK

12 V-motoren er formontert i dukrøret.

- ▶ Hvis markisen ikke lenger lukker eller åpner seg helt, må du stille inn 12 V-motoren (fig. 22, side 10).

7.7 Skifte batteriene til fjernkontrollen og veggbryteren (kun PW1500/PW1750, ekstrautstyr)



MERK

Hvis LED-en til fjernkontrollen **ikke** tennes når man trykker på en av knappene, er batteriet til fjernkontrollen utladet.

- ▶ Åpne huset (fig. 23 1, side 11).
- ▶ Fjern det gamle batteriet fra holderen.
- ▶ Sett inn et nytt batteri (type CR2450 for fjernkontroll, type CR2430 for veggbryter, fig. 23 2, side 11) i holderen med den positive terminalen oppover.
- ▶ Monter fjernkontrollen eller veggbryteren igjen.



Bevar miljøet!

Batterier hører ikke hjemme i husholdningsavfallet.

Lever defekte eller brukte batterier enten til forhandleren eller på en oppsamlingsstasjon.

8 Rengjøring og vedlikehold

8.1 Rengjøring

**PASS PÅ! Fare for ødeleggelse.**

- Markisen må **aldri** rengjøres med høytrykksspyler.
- Bruk ikke slipende vaskemidler eller harde gjenstander til rengjøring, da det kan skade produktet.

- ▶ Fjern all smuss (greiner, løv eller lignende) som ligger på duken for å hindre slitasjeskader, flekker og muggdannelse. I tillegg kan markisen bli skadet når den kjøres inn.
- ▶ Rengjør duken på markisen regelmessig for å fjerne støv og smuss:
 - Bruk vann med 30 ml oppvaskmiddel og 30 ml blekemiddel til 10 l vann.
 - Påfør såpe på duken og la rengjøringsvæsken virke i fem minutter.
 - Skyll grundig med rent vann.
Påse at rengjøringsvæsken med blekemiddelet er blitt skylt helt bort. Ellers kan duken bli skadet.
 - La duken tørke.

**MERK**

Produsenten anbefaler:

Bruk Dometic markise-rensemiddel til rengjøring av duken (art.nr. 9600000165, tilgjengelig hos din servicepartner).

8.2 Smøring

- ▶ Ved behov kan leddene på markisen smøres med en parafinvoks eller teflon- eller silikonolje.

8.3 Kontroller



ADVARSEL!

Ikke bruk markisen når det må utføres innstillinger eller reparasjoner på den.

Hvis du oppdager skader, ta kontakt med servicepartneren i respektive land (adresser finner du på baksiden av veiledningen).



MERK

Dometic-tilbehør, slik som tetningsfuger eller skumlister, er utsatt for slitasje. Dette er imidlertid ikke et tegn på dårlig kvalitet. For å sikre at disse delene fungerer, anbefaler Dometic at man skifter ut gummitetninger og skumlister hvert 5. år.

- ▶ Undersøk markisen regelmessig med tanke på ubalanse og slitasje og skader på kritiske deler.
- ▶ Kontroller markisen regelmessig:
 - Er duken hel?
 - Er armene og føringskinnen uten skader og uten tegn til slitasje?
 - Lukker markisen korrekt?

8.4 Trekk til skruene på skulderleddet

Skruene på skulderleddet må trekkes til etter de første belastningene:

- etter den første feriedagen med bruk av markisen
- etter kjørt 20 000 km eller seks måneder etter montering av markisen (avhengig av hva som inntreffer først)

Dessuten skal skruene på skulderleddet kontrolleres ved den regelmessige kjøretøy-inspeksjonen.

Kontakt din servicepartner for stramming av skruene.

Anvisning for service (fig. 24, side 11)



PASS PÅ!

Markisearmene må ikke belastes. Dette er for å hindre at festemomentet til skruene blir forandret.

- ▶ Løft føringskinnen litt slik at leddene er uten belastning.
- ▶ Trekk til skruene med 15 – 25 Nm.

8.5 Reparere små hull i duken

Små hull i duken eller steder der belegget løsner, kan du reparere selv:



- ▶ Bruk en bomullsklut og gni rundt det ødelagte stedet med litt flytende vinylplaster (ref.nr. 9103104018, kan kjøpes hos din servicepartner).
- ✓ Det flytende vinylplasteret løsner belegget. Belegget lukker hullet når det tørker.
- ▶ Vent til stedet er blitt tørt før du kjører markisen inn igjen.

9 Feilretting



MERK

Hvis du ikke er i stand til å rette en feil ved hjelp av følgende tabell, kontakt den aktuelle servicepartner i ditt land (se baksiden av håndboken for adresse).

Problem	Mulig årsak	Løsningsforslag
Kun PW1500/PW1750: Motoren responderer ikke på fjernkontrollen.	Batteriet til fjernkontrollen er utladet.	Trykk kort på en av knappene  eller  . Hvis LED-en til fjernkontrollen ikke lyser, er batteriet utladet. Skift batteri, se kapittel «Skifte batteriene til fjernkontrollen og veggbryteren (kun PW1500/PW1750, ekstrautstyr)» på side 196.
	Fjernkontrollen er ikke lenger korrekt parett med motoren.	Programmer fjernkontrollen igjen, se monteringsanvisningen.
	Ingen strømforsyning tilgjengelig	Kontroller de elektriske forbindelsene.
	Motoren er defekt.	Trekk tilbake markisen manuelt og kontakt servicepartneren i det aktuelle landet.

10 Garanti

Lovmessig garantitid gjelder. Hvis produktet er defekt: Ta kontakt med din forhandler eller produsentens filial i ditt land (se dometic.com/dealer).

Ved henvendelser vedrørende reparasjon eller garanti, må du sende med følgende dokumentasjon:

- Kopi av kvitteringen med kjøpsdato
- Årsak til reklamasjonen eller beskrivelse av feilen

11 Avfallsbehandling

► Lever emballasje til resirkulering så langt det er mulig.



Når du tar produktet ut av drift for siste gang, må du sørge for å få informasjon om deponeringsforskrifter hos nærmeste resirkuleringsstasjon eller hos din faghandler.


12 Tekniske spesifikasjoner

PerfectWall PW1000					
Bredde:	2,6 m	3 m	3,5 m	4 m	4,5 m
Uttrekk:	2 m	2,5 m			
Vekt:	18,6 kg	21 kg	24 kg	27 kg	30 kg

PerfectWall PW1500				
Bredde:	1,5 m	2,6 m	3 m	3,5 m
Uttrekk:	1 m	2 m	2,5 m	2,5 m / 2,75 m
Vekt:	12 kg	18 kg	21 kg	24 kg

PerfectWall PW1500				
Bredde:	4 m	4,5 m	5 m	5,5 m
Uttrekk:	2,5 m / 2,75 m			
Vekt:	27 kg	30 kg	33 kg	36 kg

PerfectWall PW1750			
Bredde:	3 m	3,5 m	4 m
Uttrekk:	2,5 m		
Vekt:	26 kg	30 kg	33 kg

12 V motor (kun PW1500 og PW1750)	
Tilkoblingsspenning:	12 V $\overline{=}$ (11 – 15 V)
Strømstyrke:	7 A
Utgangsbelastning:	84 W
Tiltrekkingsmoment:	35 Nm
Inspeksjon/sertifisering:	

Lue nämä ohjeet huolellisesti ja noudata kaikkia tämän tuotteen käyttöohjeissa annettuja ohjeita, määräyksiä ja varoituksia. Näin varmistat, että tuotteen asennus, käyttö ja huolto sujuu aina oikein. Näiden ohjeiden TÄYTYY jäädä tuotteen yhteyteen.

Käyttämällä tuotetta vahvistat lukeneesi kaikki ohjeet, määräykset ja varoitukset huolellisesti ja että ymmärrät ja hyväksyt tässä annetut ehdot. Sitoudut käyttämään tuotetta ainoastaan sen käyttötarkoitukseen ja ilmoitetuissa käyttökohteissa ja noudattaen tässä tuotteen käyttöohjeessa annettuja ohjeita, määräyksiä ja varoituksia sekä voimassa olevia lakeja ja määräyksiä. Tässä annettujen ohjeiden ja varoitusten lukematta ja noudattamatta jättäminen voi johtaa omaan tai muiden loukkaantumiseen, tuotteen vaurioitumiseen tai muiden, ympärillä olevien esineiden vaurioitumiseen. Tähän tuotteen käyttöohjeeseen, ohjeisiin, määräyksiin ja varoituksiin sekä oheisdokumentteihin voidaan tehdä muutoksia ja niitä voidaan päivittää. Katso ajantasaiset tuotetiedot osoitteesta dometic.com.



VAROITUS!

- Tämä käyttöohje on luettava ja ymmärrettävä ennen käyttöä, puhdistusta ja huoltoa.
- Tämän tuotteen asennus täytyy teettää ammattilaisella. Väärin tehty asennus voi johtaa vakaviin vammoihin. Tuotteeseen tehtävät muutokset voivat olla äärimmäisen vaarallisia ja johtaa vakaviin vammoihin tai laitevaurioihin.
- Tätä ohjetta täytyy säilyttää tuotteen yhteydessä. Omistajan täytyy lukea se tarkkaavaisesti.

Sisällysluettelo

1	Symbolien selitykset	203
2	Turvallisuusohjeet	203
3	Toimituskokonaisuus	206
4	Lisävarusteet	206
5	Käyttötarkoitus	207
6	Tekninen kuvaus	208
7	Markiisin käyttö	209
7.1	Ajoneuvon paikkaa koskevia ohjeita	209
7.2	Markiisin avaaminen	209
7.3	Markiisin sulkeminen	212
7.4	Kaihtimen laskeminen (vain PW1750)	214
7.5	Kaihtimen nostaminen (vain PW1750)	214
7.6	12 V moottorin säätäminen (vain PW1500/PW1750, valinnainen)	214
7.7	Paristojen vaihtaminen kauko-ohjaimessa ja seinäkytkimessä (vain PW1500/PW1750, valinnainen)	215
8	Puhdistus ja hoito	215
8.1	Puhdistus	215
8.2	Voitelu	216
8.3	Tarkastus	216

8.4	Kiristä olkanivelten ruuvit.	216
8.5	Kankaan pienten reikien paikkaaminen	217
9	Vianetsintä	217
10	Takuu	218
11	Hävittäminen	218
12	Tekniset tiedot	219

1 Symbolien selitykset



VAROITUS!

Turvallisuusohje koskien vaaratilannetta, joka voi johtaa kuolemaan tai vakavaan vammaan, jos tilannetta ei vältetä.



HUOMAUTUS!

Ohje koskien tilannetta, joka voi johtaa esinevahinkoihin, jos sitä ei vältetä.



OHJE

Tuotteen käyttöä koskevia lisätietoja.

2 Turvallisuusohjeet

Noudata ajoneuvon valmistajan ja autoalan ammattipiirien antamia turvallisuusohjeita ja vaatimuksia.



VAROITUS! Näiden varoitusten noudattamatta jättäminen voi johtaa kuolemaan tai vakavaan vammaan.

Terveysvaara

- Tarkasta ennen ajoon lähtöä, että markiisi on kokonaan sisässä. Älä liikuttele ajoneuvoa koskaan, kun markiisi on avattuna.
- Älä aja koskaan, kun kampi roikkuu paikallaan. Ota kampi pois ennen kuin lähdet ajoon.

- Älä aja autolla, jos kangas on vahingoittunut tai revennyt, älä edes silloin kun markiisi on suljettu asianmukaisesti. Kangas kannattelee markiisin varsia. Jos kangas repeää äkkiä ajon aikana, markiisi syöksyy äkillisesti ulos. Tämä voi johtaa vakaviin vammoihin. Varmista markiisi siten, että se ei voi avautua yhtäkkiä ja odottamatta ajon aikana.
- Markiisia **ei** saa avata ajon aikana.
- Huolehdi siitä, että kankaalle ei kerääny vettä tai lunta. Muuten markiisi voi vahingoittua tai markiisin varret voivat katketa ja aiheuttaa siten vammoja tai kuoleman.
- Älä lähesty markiisia
 - jos se on jätetty auki kovalla tuulella
 - jos sen päälle on muodostunut vesilätäköitä
 - jos sen päälle on kertynyt lunta
 - jos markiisikankaalla on roskia.
 Markiisi voi odottamatta liikkua, muuttua epävakaaaksi, taipua tai murtaa.
- Tätä laitetta voivat käyttää valvonnan alaisuudessa myös vähintään 8-vuotiaat lapset samoin kuin henkilöt, joiden fyysiset, aistinvaraiset tai henkiset kyvyt ovat rajoittuneet tai joilta puuttuu laitteen käytön vaatima kokemus tai tietämys, mikäli edellä mainittuja henkilöitä on opastettu käyttämään laitetta turvallisesti ja mikäli henkilöt ymmärtävät laitteen käyttöön liittyvät riskit.
- Lapsia tulee valvoa sen varmistamiseksi, etteivät he leiki laitteella.

Sähköiskun vaara

- **Valinnainen, PW1500/PW1750:** Jos markiisin liitäntäjohto on vaurioitunut, se on jätettävä ammattitaitoisen henkilön vaihdettavaksi.
- **Valinnainen, PW1500/PW1750:** Katkaise virransyöttö virtakytkimellä ennen kuin puhdistat markiisin lähellä olevia ajoneuvon osia tai itse markiisia.
- **Valinnainen, PW1500/PW1750: Sähkölaitteet eivät ole leikkikaluja.**
Säilytä kauko-ohjain lasten ulottumattomissa. Älä anna lasten leikkiä seinäkytkimellä (lisävaruste).



HUOMIO! Näiden varoitusten noudattamatta jättäminen voi johtaa vähäiseen tai kohtalaiseen vammaan.

Terveysvaara

- Markiisia **ei** saa avata kovalla tuulella tai lumisateella.
- Sulje markiisi, jos odotettavissa on kovaa tuulta, rankkasadetta tai lumisadetta.

- Älä jätä avattua markiisia vaille valvontaa. Sulje markiisi ennen kuin poistut paikalta.
- Pidä avotulella grillatessasi riittävä etäisyys markiisiin. Kuumuus voi vahingoittaa kangasta tai sytyttää sen palamaan.
- Älä koske liikkuviin osiin, kun käytät markiisia. Liikkuvista osista aiheutuu loukkaantumiskahriki.
- **Valinnainen, PW1500/PW1750:** Käytä markiisia vain, kun voit nähdä tuotteen suoraan ulkopuolelta



HUOMAUTUS! Vahingonvaara

- Sijoi taatkailuauto tai asuntovaunu siten, ettei kankaalle pääse putoamaan roskia (oksia, lehtiä tms.).
- Markiisiin kangas ei saa roikkua reunoilta, vaan sen pitää olla aina kireällä. Jos kangas roikkuu, se voi hangata varsiin ja vahingoittaa. Jos kyseessä on pitkä markiisi, sen kangas voi roikkua keskeltä.
- Sulje markiisi vain, jos kankaan päällä ei ole roskia (oksia, lehtiä tms.). Muutoin markiisi voi vaurioitua suljettaessa.
- Pidä markiisi puhtaana liasta hankautumien, tahrojen ja homeen välttämiseksi.
- Markiisiin saa sulkea märkänä vain turvallisuusyystistä. Avaa se jälleen niin pian kuin mahdollista. Muuten voi muodostua hometta tai tahroja, tai väri voi haalistua.
- Älä koskaan taivuta markiisiin varsia tai lippaa alas päästääksesi vettä pois markiisiin päältä. Se voi aiheuttaa markiisiin vääntymisen ja haitata sen toimintaa.
- Älä ripusta mitään esineitä markiisiin, älä etulippaan äläkä markiisiin varsiin.
- Älä käytä mitään suihkeita (esim. hyönteiskarkote, hiussuihke) markiisiin lähellä. Se saa kankaan likaantumaan ja kankaan vettä hylkivä ominaisuus voi kadota niiden takia.
- Jos oven yläpuolelle ei jää markiisiin kiinnittämisen jälkeen riittävästi vapaata tilaa, ovi täytyy pitää kiinni avaamisen tai sulkemisen aikana, jotta ovi ei osu varsiin tai etulippaan. Vapaan tilan tarve riippuu oven leveys, kääntö- tai liukuovi) sekä markiisiin säädetystä kallistuskulmasta.

3 Toimituskokonaisuus

Määrä	Kuvaus
1	Markiisi
1	Käsikampi (vain moottorilla varustetut markiisit)
1	Kiristystanko (ainoastaan yli 4 m pituisilla markiiseilla)
1	Kauko-ohjain (vain PW1500/PW1750, valinnainen)
1	Kiristystanko (vain PW1500/PW1750, valinnainen)
4	Kiilat
1	Käyttöohje
1	Asennusohje

4 Lisävarusteet

Saatavissa lisävarusteena (ei sisälly toimituskokonaisuuteen):

Kuvaus
TieDown Kit Markiisin kiinnityshihnat
CampRoom Markiisiteltan etupaneeli ja sivut, useita erikokoisia tukijaloilla varustettuja malleja
RainProtect Etupaneeli ja sivut, useita eri kokoja
SunProtect Etupaneeli ja sivut, useita eri kokoja
Rollo+ (ei PW1750) Rullakaihdin
Dometic Light LK120 LED-valaistussarja ja kaukosäädin, asennetaan markiisin varsiin
LED LightStrip LED-valonauha, saatavana eri pituuksina, asennetaan markiisin alapintaan
Led Profile LED-valaistus, saatavana eri pituuksina, asennetaan seinään asennetun markiisin alapintaan

Kuvaus

Markiisin puhdistusaine

Eriytinen puhdistusaine markiisille

Repair Kit

Markiisin korjauspaikka

5 Käyttötarkoitus

PerfectWall -markiisit PW1000, PW1500 ja PW1750 sopivat asennettaviksi matkailuautoihin tai asuntovaunuihin.

Markiiseja saa käyttää ainoastaan ajoneuvon seistessä.

Tämä tuote soveltuu ainoastaan näissä ohjeissa ilmoitettuun käyttötarkoitukseen ja käyttökohteeseen.

Näistä ohjeista saat tuotteen asianmukaiseen asennukseen ja/tai käyttöön tarvittavat tiedot. Väärin tehdyn asennuksen ja/tai väärän käyttötavan tai vääränlaisen huollon seurauksena laite ei toimi tyydyttävästi, ja se saattaa mennä epäkuuntoon.

Valmistaja ei ota vastuuta tapaturmista tai tuotevaurioista, jotka johtuvat seuraavista:

- Väärin tehty kokoaminen tai sähköliitäntä, ylijännite mukaan lukien
- Väärin tehty huolto tai muiden kuin valmistajalta saatavien alkuperäisten varaosien käyttö
- tuotteeseen ilman valmistajan nimenomaista lupaa tehdyt muutokset
- käyttö muuhun kuin tässä ohjeessa ilmoitettuun tarkoitukseen

Dometic pidättää itsellään oikeuden muutoksiin tuotteen ulkonäössä ja spesifikaatioissa.

6 Tekninen kuvaus

PerfectWall PW1000, PW1500 ja PW1750 ovat käsikammella avattavia ja suljettavia markiiseja.

PerfectWall PW1500 ja PW1750 -markiisit voidaan valinnaisesti myös avata ja sulkea 12 V:n moottorilla, jota ohjataan kytkimellä tai kauko-ohjaimella.

Markiisi tuetaan tukijalkojen avulla ajoneuvon seinään tai maahan.

PW1750 -markiisissa on etulippaan integroitu rullakaihdin, jonka voi laskea aurinko- tai sadesuojaksi.

Kauko-ohjaimen käyttöpainikkeet (vain PW1500/PW1750, valinnainen)

Kohde kuva 1 , sivulla 3	Kuvaus
1	Markiisin sulkeminen
2	Seis
3	Markiisin avaaminen
4	LED-valaistus päälle/pois (lisävaruste)

Kytkimen käyttöpainikkeet (vain PW1500/PW1750, valinnainen)

Kohde kuva 1 , sivulla 3	Kuvaus
1	Markiisin sulkeminen
2	Seis
3	Markiisin avaaminen

7 Markiisin käyttö

Noudata turvallisuusohjeita kohdassa kap. ”Turvallisuusohjeet” sivulla 203.

7.1 Ajoneuvon paikkaa koskevia ohjeita



HUOMAUTUS!

- Sijoita ajoneuvo siten, ettei kankaan päälle pääse roskia (oksia, lehtiä tms.).
- Pidä markiisi puhtaana liasta hankautumien, tahrojen ja homeen välttämiseksi.

7.2 Markiisin avaaminen

Markiisin avaaminen käsikammen avulla



VAROITUS! Loukkaantumiswaara.

Pidä riittävä etäisyys esineisiin ja muihin ajoneuvoihin. Avaamisen jälkeen joka puolella pitää olla vähintään 40 cm väliä muihin esineisiin ja ajoneuvoihin.

- Loksauta käsikampi markiisin kammenkiinnityskohtaan (kuva **2**, sivulla 3).
- Kierrä käsikampea, kunnes markiisi on avautunut n. 1,5 metrin verran (kuva **3**, sivulla 4).
- Työnnä etulipassa oleva oikea tukijalka kokonaan yhteen niin, että voit liikuttaa sitä vapaasti (kuva **5**, sivulla 5).
- Käänä oikea tukijalka sivulle (kuva **5**, sivulla 5).
- Käänä oikea tukijalka alas ja aseta se maahan (kuva **6**, sivulla 5).
- Säädä tukijalan korkeus haluamaksesi (kuva **7**, sivulla 6).
- Lukitse tukijalka kääntämällä sen vipu ylös (kuva **8**, sivulla 6).
- Avaa toinen tukijalka samalla tavalla.
- Kierrä käsikampea, kunnes markiisi on avattu haluttuun asentoon. Aseta tukijalat 30 cm:n välein jälleen pystysuoraan etulipan alapuolelle siten, että markiisi on koko ajan turvallisesti tuettu.
- Kierrä käsikampea takaisin noin neljäsosan verran koko liikealueesta, jotta kangas kiristyy.



HUOMAUTUS! Varo mahdollisia vaurioita.

Markkiisin kangas ei saa roikkua reunoilta, vaan sen pitää olla aina kireällä. Jos kangas roikkuu, se voi hangata varsiin ja vahingoittua. Jos kyseessä on pitkä markiisi, sen kangas voi roikkua keskeltä.

- Irrota käsikampi markiisin kammenkiinnityskohdasta.

Markkiisin avaaminen 12 V moottorilla (vain PW1500/PW1750, valinnainen)



VAROITUS! Loukkaantumisvaara.

Pidä riittävä etäisyys esineisiin ja muihin ajoneuvoihin. Avaamisen jälkeen joka puolella pitää olla vähintään 40 cm väliä muihin esineisiin ja ajoneuvoihin.



OHJE

Vain käytettäessä kauko-ohjaimella:

- Kun ajoneuvo käynnistetään, markiisi vetäytyy sisään automaattisesti. Ajoneuvolla ajettaessa markiisi on lukittuna, eikä sitä ei voi avata.
- Vastaanotin piippaa kerran kun se kytketään päälle.
- Radiohäiriöt voivat haitata kauko-ohjaimen käyttöä, jos jokin lähellä oleva laite käyttää samaa taajuutta.
- Pidä kauko-ohjain turvallisessa paikassa ajon aikana. Pidikkeen magneettia ei ole suunniteltu voimakkaille tärähdyksille, kuten äkilliselle jarrutukselle.

- Paina kytkimen tai kauko-ohjaimen painiketta ▽, kunnes markiisi on avautunut n. 1,5 metrin verran (kuva **4**, sivulla 4).
- Työnnä etulipassa oleva oikea tukijalka kokonaan yhteen niin, että voit liikuttaa sitä vapaasti (kuva **5**, sivulla 5).
- Käännä oikea tukijalka sivulle (kuva **5**, sivulla 5).
- Käännä oikea tukijalka alas ja aseta se maahan (kuva **6**, sivulla 5).
- Säädä tukijalan korkeus haluamaksesi (kuva **7**, sivulla 6).
- Lukitse tukijalka kääntämällä sen vipu ylös (kuva **8**, sivulla 6).
- Avaa toinen tukijalka samalla tavalla.
- Paina kytkimen tai kauko-ohjaimen painiketta ▽, kunnes markiisi on avautunut haluttuun asentoon. Aseta tukijalat 30 cm:n välein jälleen pystysuoraan etulipan alapuolelle siten, että markiisi on koko ajan turvallisesti tuettu.

- Sulje markiisia painamalla kytkimen tai kauko-ohjaimen painiketta ▽ sen verran, että kangas on kireällä.



HUOMAUTUS! Varo mahdollisia vaurioita.

Markkiisin kangas ei saa roikkua reunoilta, vaan sen pitää olla aina kireällä. Jos kangas roikkuu, se voi hangata varsiin ja vahingoittua. Jos kyseessä on pitkä markiisi, sen kangas voi roikkua keskeltä.

Tukijalkojen pystyttäminen maahan



VAROITUS! Loukkaantumisaara

- Pystytä tukijalat vain kiinteälle alustalle.
- Varmista tukijalat siten, ettei se pääse luiskahtamaan paikaltaan.

- Pystytä tukijalat pystysuoraan etulipan alapuolelle.
- Varmista tukijalat kiiloin (kuva **9**, sivulla 6).
- Säädä toinen tukijalka hieman toista matalammaksi, jotta etulippa on hieman vinossa. Näin sade pääsee valumaan helposti pois (kuva **10**, sivulla 6).

Tukijalan kiinnittäminen ajoneuvoon

Voit tukea markiisin suoraan ajoneuvoon, jos olet asentanut kiinnikkeet tukijalkoja varten.

- Työnnä kiinnikkeen suojus ylös (kuva **11**, sivulla 7).
- Aseta tukijalat kiinnikkeeseen (kuva **11**, sivulla 7).
- Työnnä kiinnikkeen suojus alas (kuva **11**, sivulla 7).
- Säädä toinen tukijalka hieman toista matalammaksi, jotta etulippa on hieman vinossa. Näin sade pääsee valumaan helposti pois (kuva **12**, sivulla 7).

Kiristystangon asentaminen (kuva 13, sivulla 7)

Jos markiisin pituus on 4 m tai enemmän, markiisin keskelle täytyy kiinnittää kiristystanko. Näin estetään markiisia roikkumasta keskeltä.

- ▶ Paina kiristystanko kokoon.
- ▶ Loksauta kiristystangon yläpää kotelossa olevaan kiinnikkeeseen.
- ▶ Työnnä kiristystangon toinen pää etulipassa olevaan kiinnikkeeseen.

7.3 Markkiisin sulkeminen



HUOMAUTUS!

- Sulje markiisi vain, jos kankaan päällä ei ole roskia (oksia, lehtiä tms.). Muutoin markiisi voi vaurioitua suljettaessa.
- Pidä markiisi puhtaana liasta hankautumien, tahrojen ja homeen välttämiseksi.
- Huolehdi markiisia sulkiessasi siitä, että oksia tai muita esineitä ei jää väliin.

- ▶ Poista kankaan päällä olevat roskat (oksat, lehdet tai vastaavat).
- ▶ Vapauta tukijalkojen kiinnitys (kiilat tai ajoneuvossa olevat kiinnikkeet).

Markkiisin sulkeminen käsikammen avulla

- ▶ Loksauta käsikammen yläpää markiisissa olevaan kiinnityskohtaan.
- ▶ Kierrä käsikampea, kunnes markiisi on enää n. 1,5 metrin verran auki. Aseta tukijalat 30 cm:n välein jälleen pystysuoraan etulipan alapuolelle siten, että markiisi on koko ajan turvallisesti tuettu.
- ▶ Vapauta oikea tukijalka kääntämällä sen vipu alas.
- ▶ Työnnä tukijalka kokonaan kokoon.
- ▶ Käännä oikea tukijalka ylös.
- ▶ Käännä oikea tukijalka etulippaan.
- ▶ Työnnä oikean tukijalan alaosa etulipassa olevaan kiinnikkeeseen.
- ▶ Sulje toinen tukijalka samalla tavalla.
- ▶ Kierrä käsikampea, kunnes markiisi on kokonaan kiinni.



- ▶ Varmista, että markiisi on kokonaan kiinni, ennen kuin lähdet ajoon. Etulipan täytyy olla tiiviisti kiinni rungossa.
- ▶ Irrota käsikampi markiisin kammenkiinnityskohdasta.



HUOMAUTUS! Varo mahdollisia vaurioita.

Jos markiisi on suljettu märkänä, avaa se heti mahdollisuuden tullen uudelleen, jotta kangas pääsee kuivumaan. Jos märkä kangas pidetään pitkään rullattuna, voi muodostua homeetta ja värit voivat haalistua.

Markkiisin avaaminen 12 V moottorilla (vain PW1500/PW1750, valinnainen)

- ▶ Paina kytkimen tai kauko-ohjaimen painiketta , kunnes markiisi on avautunut n. 1,5 metrin verran. Aseta tukijalat 30 cm:n välein jälleen pystysuoraan etulipan alapuolelle siten, että markiisi on koko ajan turvallisesti tuettu.
- ▶ Vapauta oikea tukijalka kääntämällä sen vipu alas.
- ▶ Työnnä tukijalka kokonaan kokoon.
- ▶ Käännä oikea tukijalka ylös.
- ▶ Käännä oikea tukijalka etulippaan.
- ▶ Työnnä oikean tukijalan alaosa etulipassa olevaan kiinnikkeeseen.
- ▶ Sulje toinen tukijalka samalla tavalla.
- ▶ Paina kytkimen tai kauko-ohjaimen painiketta , kunnes markiisi on kokonaan sulkeutunut.
- ▶ Varmista, että markiisi on kokonaan kiinni, ennen kuin lähdet ajoon. Etulipan täytyy olla tiiviisti kiinni rungossa.



HUOMAUTUS! Varo mahdollisia vaurioita.

Jos markiisi on suljettu märkänä, avaa se heti mahdollisuuden tullen uudelleen, jotta kangas pääsee kuivumaan. Jos märkä kangas pidetään pitkään rullattuna, voi muodostua homeetta ja värit voivat haalistua.

7.4 Kaihtimen laskeminen (vain PW1750)

- ▶ Avaa etulipan keskellä oleva lukitus (kuva **14**, sivulla 8).
- ▶ Työnnä oikealla ja vasemmalle olevat pidikkeet kaihtimen kiskoihin (kuva **15**, sivulla 8).
- ▶ Ohjaa kiristyshihnat tai nuorat pidikkeiden silmukoiden läpi (kuva **15**, sivulla 8).
- ▶ Vedä kaihdinta kiskosta molemmin käsin tasaisesti alaspäin (kuva **16**, sivulla 8). Suurin avautumiskorkeus on 1,2 m.
- ▶ Kiinnitä pidikkeet oikealta ja vasemmalta tukijalkoihin (kuva **17**, sivulla 9).
tai
- ▶ Kiinnitä nuorat kiiloilla (kuva **18**, sivulla 9).

7.5 Kaihtimen nostaminen (vain PW1750)

- ▶ Avaa kaihtimen kiinnitykset.
- ▶ Vedä kaihdinta alaspäin (kuva **19**, sivulla 9).
- ✓ Kaihdin rullautuu itsestään etulippaan.
- ▶ Vedä pidikkeet oikealta ja vasemmalta kiskosta pois (kuva **20**, sivulla 10).
- ▶ Sulje etulipan keskellä oleva lukitus (kuva **21**, sivulla 10).



HUOMAUTUS! Varo mahdollisia vaurioita.

Jos kaihdin on suljettu märkänä, rullaa se auki heti mahdollisuuden tullen uudelleen, jotta kangas pääsee kuivumaan. Jos märkä kangas pidetään pitkään rullattuna, voi muodostua hometta ja värit voivat haalistua.

7.6 12 V moottorin säätäminen (vain PW1500/PW1750, valinnainen)



OHJE

12 V moottori on asennettu valmiiksi kankaan akseliin.

- ▶ Säädä 12 V moottoria, jos markiisi ei enää sulkeudu tai aukea kokonaan (kuva **22**, sivulla 10).

7.7 Paristojen vaihtaminen kauko-ohjaimessa ja seinäkytkimessä (vain PW1500/PW1750, valinnainen)



OHJE

Jos kauko-ohjaimen LEDi **ei** syty, kun jotain painiketta painetaan, kauko-ohjaimen paristo on lopussa.

- ▶ Avaa kotelo (kuva **23** 1, sivulla 11).
- ▶ Irrota vanha paristo pidikkeestään.
- ▶ Laita uusi paristo (tyyppi CR2450 kauko-ohjaimelle, tyyppi CR2430 seinäkytkimelle, kuva **23** 2, sivulla 11) pidikkeeseensä plus-napa ylöspäin.
- ▶ Kokoa kauko-ohjain tai seinäkytkin uudelleen.



Muista ympäristönsuojelu!

Akut ja paristot eivät kuulu kotitalousjätteen sekaan.

Toimita vialliset akut tai käytetyt paristot kauppiaille tai keräyspisteeseen.

8 Puhdistus ja hoito

8.1 Puhdistus



HUOMAUTUS! Varo mahdollisia vaurioita.

- Markiisia **ei saa koskaan** puhdistaa painepesurilla.
- Älä käytä puhdistukseen kovia puhdistusaineita tai kovia esineitä, koska ne voivat vahingoittaa tuotetta.

- ▶ Poista kaikki kankaalla olevat roskat (oksat, lehdet tms.) hankaumien, tahrojen ja homeen välttämiseksi. Markiisi voisi sitä paitsi vaurioitua suljettaessa.
- ▶ Puhdista markiisin kangas säännöllisesti pölyn ja lian poistamiseksi:
 - Käytä tähän vettä, jossa on 30 ml pesuainetta ja 30 ml valkaisuainetta 10 l vettä kohti.
 - Kastele kangas tällä liuoksella ja anna puhdistusnesteen vaikuttaa viisi minuuttia.
 - Huuhtelee perusteellisesti puhtaalla vedellä.
 Varmista, että puhdistusneste valkaisuaineineen pestään kokonaan pois. Muussa tapauksessa kangas voi vaurioitua.
 - Anna kankaan kuivua.

**OHJE**

Valmistaja suosittelee:

Käytä kankaan puhdistukseen Dometic-markkiisinpuhdistusainetta (tuotenro. 9600000165, saatavissa huoltoliikkeestäsi).

8.2 Voitelu

- Voitele markiisin nivelet tarvittaessa parafiinivahalla, teflon- tai silikoniöljyllä.

8.3 Tarkastus**VAROITUS!**

Älä käytä markiisia, jos on tehtävä säätö- tai korjaustoimia.

Jos havaitset vaurioita, käänny oman maasi huoltoliikkeen puoleen (osoitteet ohjeen takapuolella).

**OHJE**

Dometic-lisävarusteet kuten saumanauhat tai tiivistenaumat ovat alltiita luonnollisen kulumiselle. Se ei todista huonosta laadusta. Näiden osien toimivuuden varmistamiseksi Dometic suosittelee, että kumitiivisteet ja tiivistenaumat uusitaan joka 5. vuosi.

- Tutki markiisi säännöllisesti epätasapainon ja kulumien sekä kriittisten osien vaurioiden varalta.
- Tarkasta markiisi säännöllisesti:
 - Onko kangas vaurioitunut?
 - Ovatko varret ja etulippa vahingoittumattomia ja vailla kulumisjälkiä?
 - Meneekö markiisi kunnolla kiinni?

8.4 Kiristä olkanivelten ruuvit

Olkanivelen ruuvit täytyy kiristää ensimmäisten kuormitusten jälkeen:

- ensimmäisen markiisia käyttäen vietetyn loman jälkeen
- 20 000 km ajon jälkeen tai kuuden kuukauden kuluttua markiisin asentamisesta (sen mukaan, kumpi saavutetaan ensin)

Lisäksi olkanivelen ruuvit tulisi tarkastaa ajoneuvon säännöllisten tarkastusten yhteydessä.

Kiristytä ruuvit huoltoliikkeessäsi.

Ohjeita huoltoa varten (kuva 24, sivulla 11)**HUOMAUTUS!**

Varsien täytyy olla kuormittamattomia. Tällä estetään ruuvien kiristysmomenttien vääristyminen.

- ▶ Nosta etulippaa kevyesti nivelten kuormituksen poistamiseksi.
- ▶ Kiristä ruuveja kiristysmomenttiin 15 – 25 Nm.

8.5 Kankaan pienten reikien paikkaaminen

Voit itse paikata kankaan pieniä reikiä tai kohtia, joissa pinnoite irtoaa:

- ▶ Hankaa vahingoittuneen kohdan ympärille puuvillaliinalla hieman nestemäistä vinyylikalvoa (tuotenro 9103104018, saatavissa huoltoliikkeestäsi).
- ✓ Nestemäinen vinyylikalvo pehmittää pinnoitteen. Pinnoite sulkee reiän kuivuesaan.
- ▶ Odota ennen markiisin sulkemista, että kohta on kuivunut.

9 Vianetsintä**OHJE**

Jos et pysty poistamaan vikaa seuraavan taulukon avulla, ota yhteyttä asianomaiseen huoltoliikkeeseen maassasi (katso osoite käyttöohjeen takaosasta).

Häiriö	Mahdollinen syy	Ratkaisuehdotus
Vain PW1500/PW1750: Moottori ei tottele kauko-ohjainta.	Kauko-ohjaimen paristo on tyhjä.	Paina lyhyesti jompaakumpaa painiketta \triangle tai ∇ . Jos kauko-ohjaimen LEDi ei syty, kauko-ohjaimen paristo on lopussa. Vaihda paristo, katso kap. "Paristojen vaihtaminen kauko-ohjaimessa ja seinäkytkimessä (vain PW1500/PW1750, valinnainen)" sivulla 215.
	Kauko-ohjain ei ole tai ei ole enää kunnolla yhdistetty moottoriin.	Ohjelmoi kauko-ohjain uudestaan, katso asennusohje.
	Virransyöttö ei toimi	Tarkasta sähköiset johdotukset.
	Moottori on rikki.	Sulje markiisi käsin ja ota yhteyttä kyseisen maan huoltoliikkeeseen.

10 Takuu

Tuotetta koskee lakisääteinen tuotevastuu aika. Jos tuote on viallinen, ota yhteyttä jälleenmyyjään tai valmistajan toimipisteeseen omassa maassasi (ks. dometic.com/dealer).

Jos lähetät tuotteen korjattavaksi, liitä korjaus- ja takuukäsittelyä varten mukaan seuraavat asiakirjat:

- Kopio kuitista, jossa näkyy ostopäivä
- Valitusperuste tai vikakuvaus

11 Hävittäminen

► Vie pakkausmateriaali mahdollisuuksien mukaan vastaavan kierrätysjätteen joukkoon.



Jos poistat tuotteen lopullisesti käytöstä, pyydä tietoa sen hävittämistä koskevista määräyksistä lähimmästä kierrätyskeskuksesta tai ammattiliikkeestäsi.


12 Tekniset tiedot

PerfectWall PW1000					
Leveys:	2,6 m	3 m	3,5 m	4 m	4,5 m
Avautuma:	2 m	2,5 m			
Paino:	18,6 kg	21 kg	24 kg	27 kg	30 kg

PerfectWall PW1500				
Leveys:	1,5 m	2,6 m	3 m	3,5 m
Avautuma:	1 m	2 m	2,5 m	2,5 m / 2,75 m
Paino:	12 kg	18 kg	21 kg	24 kg

PerfectWall PW1500				
Leveys:	4 m	4,5 m	5 m	5,5 m
Avautuma:	2,5 m / 2,75 m			
Paino:	27 kg	30 kg	33 kg	36 kg

PerfectWall PW1750			
Leveys:	3 m	3,5 m	4 m
Avautuma:	2,5 m		
Paino:	26 kg	30 kg	33 kg

12 V moottori (vain PW1500 ja PW1750)	
Liitäntäjännite:	12 V $\overline{\text{---}}$ (11 – 15 V)
Virranvoimakkuus:	7 A
Lähtöteho:	84 W
Vääntömomentti:	35 Nm
Tarkastus/sertifikaatti:	

Пожалуйста, внимательно прочтите и соблюдайте все указания, рекомендации и предупреждения, содержащиеся в этом руководстве по использованию изделия, чтобы гарантировать правильную установку, использование и обслуживание изделия. Эта инструкция ДОЛЖНА оставаться вместе с этим изделием.

Используя изделие, вы тем самым подтверждаете, что внимательно прочитали все указания, рекомендации и предупреждения, а также, что вы понимаете и соглашаетесь соблюдать положения и условия, изложенные в настоящем документе. Вы соглашаетесь использовать это изделие только по прямому назначению и в соответствии с указаниями, рекомендациями и предупреждениями, изложенными в данном руководстве по использованию изделия, а также в соответствии со всеми применимыми законами и правилами. Несоблюдение указаний и предупреждений, изложенных в данном документе может привести к травмам вас и других лиц, повреждению вашего изделия или повреждению другого имущества, находящегося поблизости. Данное руководство по использованию изделия, включая указания, рекомендации и предупреждения, а также сопутствующую документацию, может подвергаться изменениям и обновлениям. Актуальную информацию о продукте можно найти на сайте dometic.com.



ПРЕДУПРЕЖДЕНИЕ!

- Необходимо прочесть и понять эту инструкцию перед использованием, чисткой и техническим обслуживанием.
- Данное изделие должно монтироваться специалистом. Неправильный монтаж может привести к тяжелым травмам. Изменение конструкции изделия может быть очень опасно и привести к тяжелым травмам или повреждениям прибора.
- Данная инструкция должна храниться рядом с изделием. Владелец должен внимательно прочесть ее.

Оглавление

1	Пояснение к символам	221
2	Указания по технике безопасности	221
3	Комплект поставки	224
4	Аксессуары	224
5	Использование по назначению	225
6	Техническое описание	226
7	Управление маркизой	227
7.1	Информация о месте парковки автомобиля	227
7.2	Выдвижение маркизы	227
7.3	Убирание маркизы	230
7.4	Развертывание ролл-шторы (только PW1750)	232
7.5	Свертывание ролл-шторы (только PW1750)	232
7.6	Регулировка 12-вольтового двигателя (только PW1500/PW1750, опция)	233
7.7	Замена батареек в пульте дистанционного управления и настенном выключателе (только PW1500/PW1750, опция)	233
8	Очистка и уход	234
8.1	Очистка	234

8.2	Смазка	234
8.3	Проверка	235
8.4	Подтягивание винтов петель	235
8.5	Латание небольших отверстий в полотне	236
9	Устранение неисправностей	237
10	Гарантия	237
11	Утилизация	238
12	Технические характеристики	239

1 Пояснение к символам



ПРЕДУПРЕЖДЕНИЕ!

Указание по технике безопасности, указывающее на опасную ситуацию, которая может привести к смерти или серьезной травме, если ее не предотвратить.



ВНИМАНИЕ!

Указание на ситуацию, которая может привести к материальному ущербу, если ее не предотвратить.



УКАЗАНИЕ

Дополнительная информация по управлению продуктом.

2 Указания по технике безопасности

Соблюдайте инструкции по технике безопасности изготовителя автомобиля и правила техники безопасности, установленные в автомастерской.



ПРЕДУПРЕЖДЕНИЕ! Несоблюдение этих предупреждений может привести к смерти или серьезной травме.

Опасность для здоровья

- Перед началом движения убедитесь в том, что маркиза полностью убрана. Не начинайте движение с открытой маркизой.

- Не начинайте движение, если вставлена рукоятка маркизы. Перед началом движения снимите рукоятку.
- Не начинайте движение, если полотно повреждено или надорвано, даже если маркиза закрыта. Рычаги маркизы удерживаются полотном. В результате разрыва полотна маркиза может резко вырваться наружу во время движения автомобиля. Это может привести к тяжелым травмам. Закрепите маркизу так, чтобы она не могла внезапно выдвинуться во время движения.
- **Не** раскрывайте маркизу во время движения.
- Следите за тем, чтобы на полотне не скапливались вода или снег. В противном случае возможно повреждение маркизы или рычагов и причинение тяжелых и смертельных травм.
- Не приближайтесь к маркизе,
 - если она была оставлена открытой во время сильного ветра,
 - если на ней скопилась вода,
 - если на ней скопился снег,
 - если на полотне много грязи.Маркиза может неожиданно переместиться, стать неустойчивой, деформироваться или оборваться.
- Это устройство может использоваться детьми с 8-ми лет и старше, а также лицами с ограниченными физическими, сенсорными и умственными возможностями или при недостатке необходимого опыта и знаний только под присмотром или после прохождения инструктажа по безопасному использованию устройства, если они понимают опасности, которые при этом могут возникнуть.
- Необходимо постоянно следить за детьми и не допускать игр с изделием.

Опасность поражения электрическим током

- **Дополнительно для PW1500/PW1750:** Если поврежден соединительный кабель маркизы, он должен быть заменен специалистом.
- **Дополнительно для PW1500/PW1750:** Прежде, чем начать чистку автомобиля вблизи маркизы или чистку самой маркизы, отключите электропитание выключателем.
- **Дополнительно для PW1500/PW1750: Электроприборы не являются детскими игрушками.**

Поэтому храните пульт дистанционного управления в недоступном для детей месте. Не допускайте игр детей с ветровым датчиком (принадлежность).



ОСТОРОЖНО! Несоблюдение этих предостережений может привести к травме легкой или средней степени тяжести.

Опасность для здоровья

- **Не** раскрывайте маркизу при сильном ветре или снегопаде.
- Убирайте маркизу, если ожидается сильный ветер, дождь или снегопад.
- Не оставляйте выдвинутую маркизу без присмотра. Прежде чем покинуть место стоянки, уберите маркизу.
- Не устанавливайте мангалы с открытым огнем вблизи маркизы. Полотно может быть повреждено под воздействием высокой температуры или загореться.
- Не прикасайтесь к движущимся частям во время работы маркизы. Опасность травмирования движущимися частями.
- **Дополнительно для PW1500/PW1750:** Управляйте маркизой только в том случае, если продукт виден снаружи.



ВНИМАНИЕ! Риск повреждения

- Располагайте кемперы или жилые прицепы так, чтобы на полотно не могла попасть грязь (ветки, листья и т. п.).
- Полотно маркизы не должно провисать по краям, а всегда должно быть натянуто. Провисающее полотно может повредиться вследствие истирания о рычаги. В длинных маркизах полотно может провисать в середине.
- Убирайте маркизу только в том случае, если на полотне отсутствует грязь (ветки, листья и т. п.). В противном случае при втягивании маркизы может быть повреждена.
- Следите за чистотой маркизы, чтобы избежать порчи полотна, возникновение пятен и плесени.
- Закрывайте маркизу во влажном состоянии только в целях обеспечения безопасности. По возможности, откройте ее как можно быстрее. В противном случае могут возникнуть пятна или плесень, цвет полотна может поблекнуть.
- Запрещается изгибать рычаг маркизы или навес, например, чтобы слить воду с маркизы. Маркиза может деформироваться и выйти из строя.
- Не подвешивайте посторонние предметы к маркизе — ни к ее навесу, ни к рычагам.

- Не пользуйтесь аэрозолями (например, инсектицидами, лаком для волос) вблизи маркизы. Полотно может запачкаться или утра- тить эффект водоотталкивания.
- Если после монтажа маркизы не хватает пространства над дверью, во время открытия и закрытия маркизы дверь должна оставаться открытой, чтобы избежать контакта с рычагами или направляющей. Требуемое свободное пространство зависит от конструкции двери (ширина, поворотная или раздвижная дверь), а также от угла наклона маркизы.

3 Комплект поставки

Количе- ство	Наименование
1	Маркиза
1	Рукоятка (только в маркизах без двигателя)
1	Растяжка (только для маркиз длиной от 4 м)
1	Пульт дистанционного управления (только PW1500/PW1750, опция)
1	Выключатель маркизы (только PW1500/PW1750, опция)
4	Копышки
1	Инструкция по эксплуатации
1	Инструкция по монтажу

4 Аксессуары

Продается в качестве принадлежности (не входит в комплект поставки):

Наименование

TieDown Kit

Ремни для натяжения маркизы

CampRoom

Предпалатка, состоящая из лицевой и боковых панелей, для различных моделей с опорами различных размеров

RainProtect

Лицевая и боковые панели, предлагаются различных размеров

Наименование

SunProtect

Лицевая и боковые панели, предлагаются различных размеров

Rollo+ (не для PW1750)

Ролл-штора

Dometic Light LK120

Комплект светодиодной подсветки с дистанционным управлением для монтажа на рычагах маркизы

LED LightStrip

Светодиодная лента, различных размеров, для монтажа на нижней стороне маркизы

Led Profile

Светодиодная подсветка, различных размеров, для монтажа на нижней стороне настенной маркизы

Средство для чистки маркиз

Специальное средство для чистки маркиз

Repair Kit

Заплата для ремонта маркиз

5 Использование по назначению

Маркизы PerfectWall PW1000, PW1500 и PW1750 предназначены для монтажа на автодомах или жилых прицепах.

Использование маркиз допускается только в неподвижном состоянии автомобиля.

Это изделие подходит только для использования по назначению и применения в соответствии с данной инструкцией.

В данной инструкции содержится информация, необходимая для правильного монтажа и/или эксплуатации изделия. Неправильный монтаж и/или ненадлежащая эксплуатация или техническое обслуживание приводят к неудовлетворительной работе и возможному отказу.

Изготовитель не несет ответственности за какие-либо травмы или повреждение продукта в результате следующих причин:

- Неправильная сборка или подключение, включая повышенное напряжение

- Неправильное техническое обслуживание или использование запасных частей, отличных от оригинальных запасных частей, предоставленных изготовителем
- Изменения в продукте, выполненные без однозначного разрешения изготовителя
- Использование в целях, отличных от указанных в данной инструкции

Компания Dometic оставляет за собой право изменять внешний вид и технические характеристики продукта.

6 Техническое описание

PerfectWall PW1000, PW1500 и PW1750 – это маркизы, которые можно выдвигать и убирать, используя рукоятку.

Маркизы PerfectWall PW1500 и PW1750 можно также выдвигать и убирать с помощью 12-вольтового двигателя, который управляется выключателем или пультом дистанционного управления.

Маркиза фиксируется с помощью опор, установленных на стене транспортного средства или на земле.

Маркиза PW1750 оснащена ролл-шторой, встроенной в направляющую, которую можно раздвинуть для защиты от дождя или солнца.

Органы управления на пульте дистанционного управления (только PW1500/PW1750, опция)

Поз. на рис. 1 , стр. 3	Наименование
1	Убирание маркизы
2	Стоп
3	Выдвижение маркизы
4	Включение/выключение светодиодной подсветки (опция)

Органы управления на выключателе (только PW1500/PW1750, опция)

Поз. на рис. 1 , стр. 3	Наименование
1	Убирание маркизы
2	Стоп
3	Выдвижение маркизы

7 Управление маркизой

Соблюдайте также указания по технике безопасности, приведенные в гл. «Указания по технике безопасности» на стр. 221.

7.1 Информация о месте парковки автомобиля

**ВНИМАНИЕ!**

- Располагайте автомобиль так, чтобы на полотно не могла попасть грязь (ветки, листья и т. п.).
- Следите за чистотой маркизы, чтобы избежать порчи полотна, возникновения пятен и плесени.

7.2 Выдвижение маркизы

Выдвижение маркизы с помощью рукоятки**ПРЕДУПРЕЖДЕНИЕ! Опасность травмирования.**

Обеспечьте достаточное расстояние до других автомобилей или каких-либо предметов. После выдвижения маркизы расстояние до других автомобилей или предметов должно составлять не менее 40 см.

- Зафиксируйте рукоятку в креплении маркизы (рис. **2**, стр. 3).
- Вращайте рукоятку до тех пор, пока маркиза не выдвинется приблизительно на 1,5 метра (рис. **3**, стр. 4).
- Полностью сдвиньте правую опору в лицевой панели, чтобы ее можно было свободно перемещать (рис. **5**, стр. 5).
- Поверните правую опору в сторону (рис. **5**, стр. 5).

- ▶ Откиньте правую опору вниз и установите ее на землю (рис. **6**, стр. 5).
- ▶ Отрегулируйте опору на требуемую высоту (рис. **7**, стр. 6).
- ▶ Поднимите рычаг опоры вверх, чтобы зафиксировать ее (рис. **8**, стр. 6).
- ▶ Точно так же втяните вторую опору.
- ▶ Вращайте рукоятку до тех пор, пока маркиза не выдвинется в требуемое положение. Установите опоры снова вертикально под направляющую каждые 30 см у так, чтобы маркиза всегда надежно поддерживалась.
- ▶ Поверните рукоятку приблизительно на 1/4 оборота назад, чтобы натянуть полотно.

**ВНИМАНИЕ! Опасность повреждения.**

Полотно маркизы не должно провисать по краям, а всегда должно быть натянуто. Провисающее полотно может повредиться вследствие истирания о рычаги.

В длинных маркизах полотно может провисать в середине.




- ▶ Вытащите рукоятку из крепления маркизы.

Выдвижение маркизы с помощью 12-вольтового двигателя (только PW1500/PW1750, опция)**ПРЕДУПРЕЖДЕНИЕ! Опасность травмирования.**

Обеспечьте достаточное расстояние до других автомобилей или каких-либо предметов. После выдвижения маркизы расстояние до других автомобилей или предметов должно составлять не менее 40 см.

**УКАЗАНИЕ****Только при использовании дистанционного управления:**

- При пуске двигателя автомобиля маркиза убирается автоматически. Во время движения автомобиля маркиза заблокирована не может быть выдвинута.
- При включении приемник подает один звуковой сигнал.
- Работа пульта дистанционного управления может быть нарушена радиопомехами, если другой прибор, расположенный вблизи, использует такую же частоту.
- При движении храните пульт дистанционного управления в надежном месте. Магнит в держателе не рассчитан на сильные вибрации, например, экстренное торможение.

- ▶ Удерживайте нажатой кнопку  выключателя или пульта дистанционного управления до тех пор, пока маркиза не выдвинется приблизительно на 1,5 метра (рис. **4**, стр. 4).
- ▶ Полностью сдвиньте правую опору в лицевой панели, чтобы ее можно было свободно перемещать (рис. **5**, стр. 5).
- ▶ Поверните правую опору в сторону (рис. **5**, стр. 5).
- ▶ Откиньте правую опору вниз и установите ее на землю (рис. **6**, стр. 5).
- ▶ Отрегулируйте опору на требуемую высоту (рис. **7**, стр. 6).
- ▶ Поднимите рычаг опоры вверх, чтобы зафиксировать ее (рис. **8**, стр. 6).
- ▶ Точно так же втяните вторую опору.
- ▶ Удерживайте нажатой кнопку  выключателя или пульта дистанционного управления до тех пор, пока маркиза не выдвинется в требуемое положение. Установите опоры снова вертикально под направляющую каждые 30 см у так, чтобы маркиза всегда надежно поддерживалась.
- ▶ Удерживайте нажатой кнопку  выключателя или пульта дистанционного управления до тех пор, чтобы натянулось полотно маркизы.



ВНИМАНИЕ! Опасность повреждения.

Полотно маркизы не должно провисать по краям, а всегда должно быть натянуто. Провисающее полотно может повредиться вследствие истирания о рычаги.

В длинных маркизах полотно может провисать в середине.

Установка опоры на землю



ПРЕДУПРЕЖДЕНИЕ! Опасность травмирования

- Устанавливайте опору только на прочный грунт.
- Предохраните опору от смещения.

- ▶ Установите опору вертикально под направляющую.
- ▶ Закрепите опору колышками (рис. **9**, стр. 6).
- ▶ Отрегулируйте опору слегка ниже, чтобы направляющая висела слегка наклонно. Таким образом дождь может сразу стекать (рис. **10**, стр. 6).

Крепление опоры на автомобиле

Вы можете закрепить маркизу непосредственно на автомобиле, если установили стопоры опор.

- ▶ Переместите крышку стопора вверх (рис. **11**, стр. 7).
- ▶ Вставьте опоры в фиксатор (рис. **11**, стр. 7).
- ▶ Переместите крышку стопора вниз (рис. **11**, стр. 7).
- ▶ Отрегулируйте опору слегка ниже, чтобы направляющая висела слегка наклонно. Таким образом дождь может сразу стекать (рис. **12**, стр. 7).

Монтаж растяжки (рис. **13**, стр. 7)

В маркизах с длиной 4 метра и более в ее центре необходимо закрепить растяжку. Она предотвращает провисание маркизы.

- ▶ Сдвиньте вместе растяжку.
- ▶ Зафиксируйте верхний конец растяжки в зажимном устройстве на корпусе.
- ▶ Вдвиньте другой конец растяжки в зажимное устройство на направляющей.

7.3 Убирание маркизы



ВНИМАНИЕ!

- Убирайте маркизу только в том случае, если на полотне отсутствует грязь (ветки, листья и т. п.). В противном случае при втягивании маркиза может быть повреждена.
- Следите за чистотой маркизы, чтобы избежать порчи полотна, возникновения пятен и плесени.
- При убирании маркизы следите за тем, чтобы не были зажаты ветки, сучья или какие-либо другие предметы.

- ▶ Удалите грязь (ветки, листья и т. п.), лежащую на полотне.
- ▶ Отпустите крепление опор (фиксатор или стопор на автомобиле).

Убирание маркизы с помощью рукоятки



- ▶ Зафиксируйте верхний конец рукоятки в креплении маркизы.
- ▶ Вращайте рукоятку до тех пор, пока маркиза не будет выдвинута всего приблизительно на 1,5 метра. Установите опоры снова вертикально под направляющую каждые 30 см у так, чтобы маркиза всегда надежно поддерживалась.
- ▶ Опустите рычаг правой опоры, чтобы разблокировать ее.
- ▶ Полностью сдвиньте опору.
- ▶ Сложите правую опору вверх.

- Поверните правую опору в направляющую.
- Сместите нижнюю часть правой опоры в стопор направляющей.
- Точно так же уберите вторую опору.
- Вращайте рукоятку до тех пор, пока маркиза не будет полностью убрана.
- Прежде, чем начать движение, убедитесь в том, что маркиза полностью убрана. Направляющая должна плотно прилегать к корпусу.
- Вытащите рукоятку из крепления маркизы.

**ВНИМАНИЕ! Опасность повреждения.**

Если маркиза была убрана во влажном состоянии, то при первой же возможности откройте ее и дайте полотну высохнуть. Если влажное полотно долгое время остается свернутым, на нем образуется плесень и блекнет краска.

Убирание маркизы с помощью 12-вольтового двигателя (только PW1500/PW1750, опция)

- Удерживайте нажатой кнопку  выключателя или пульта дистанционного управления до тех пор, пока маркиза не будет выдвинута не более, чем на 1,5 метра. Установите опоры снова вертикально под направляющую каждые 30 см у так, чтобы маркиза всегда надежно поддерживалась.
- Опустите рычаг правой опоры, чтобы разблокировать ее.
- Полностью сдвиньте опору.
- Сложите правую опору вверх.
- Поверните правую опору в направляющую.
- Сместите нижнюю часть правой опоры в стопор направляющей.
- Точно так же уберите вторую опору.
- Удерживайте нажатой кнопку  выключателя или пульта дистанционного управления до тех пор, пока маркиза не будет убрана.
- Прежде, чем начать движение, убедитесь в том, что маркиза полностью убрана. Направляющая должна плотно прилегать к корпусу.

**ВНИМАНИЕ! Опасность повреждения.**

Если маркиза была убрана во влажном состоянии, то при первой же возможности откройте ее и дайте полотну высохнуть. Если влажное полотно долгое время остается свернутым, на нем образуется плесень и блекнет краска.

7.4 Развертывание ролл-шторы (только PW1750)

- ▶ Откройте фиксатор в середине направляющей (рис. **14**, стр. 8).
 - ▶ Вдвиньте держатели справа и слева в планку ролл-шторы (рис. **15**, стр. 8).
 - ▶ Проведите натяжные ремни или шнуры через петли держателей (рис. **15**, стр. 8).
 - ▶ Потяните ролл-штору за планку двумя руками равномерно вниз (рис. **16**, стр. 8).
Максимальная высота вытягивания составляет 1,2 м.
 - ▶ Закрепите держатели справа и слева на опорах (рис. **17**, стр. 9).
- или**
- ▶ Закрепите шнуры колышками (рис. **18**, стр. 9).

7.5 Свертывание ролл-шторы (только PW1750)

- ▶ Отпустите крепления ролл-шторы.
- ▶ Потяните ролл-штору вниз (рис. **19**, стр. 9).
- ✓ Ролл-штора самостоятельно сворачивается в направляющей.
- ▶ Выдвините держатели справа и слева из планки (рис. **20**, стр. 10).
- ▶ Закройте фиксатор в середине направляющей (рис. **21**, стр. 10).

**ВНИМАНИЕ! Опасность повреждения.**

Если ролл-штора была свернута во влажном состоянии, то при первой же возможности разверните ее и дайте полотну высохнуть. Если влажное полотно долгое время остается свернутым, оно может заплесневеть или может выцвести краска.

7.6 Регулировка 12-вольтного двигателя (только PW1500/PW1750, опция)



УКАЗАНИЕ

Двигатель 12 В установлен в барабан.

- Если маркиза не закрывается и не открывается полностью, отрегулируйте двигатель 12 В (рис. **22**, стр. 10).

7.7 Замена батареек в пульте дистанционного управления и настенном выключателе (только PW1500/PW1750, опция)



УКАЗАНИЕ

Если светодиод пульта дистанционного управления **не** загорается после нажатия одной из кнопок, это означает, что батарейка пульта дистанционного управления разряжена.

- Откройте корпус (рис. **23** 1, стр. 11).
- Вытащите старую батарейку из держателя.
- Вставьте новую батарейку (типа CR2450 для пульта дистанционного управления, типа CR2430 для настенного выключателя рис. **23** 2, стр. 11) в держатель так, чтобы положительный вывод был обращен вверх.
- Соберите пульт дистанционного управления или настенный выключатель.



Защищайте окружающую среду!

Аккумуляторы и батареи запрещается выбрасывать в бытовой мусор. Неисправные аккумуляторы и разряженные батареи сдавайте в торговую организацию или в специальные сборные пункты.

8 Очистка и уход

8.1 Очистка



ВНИМАНИЕ! Опасность повреждения.

- **Запрещается** очищать маркизу очистителем высокого давления.
- Не используйте для чистки абразивные чистящие средства или острые предметы, т. к. они могут привести к повреждениям изделия.

- ▶ Убирайте любую грязь (ветки, листья и т. п.), которая лежит на полотне, чтобы предотвратить истирание, пятна и плесень. Кроме того, маркиза может быть повреждена при втягивании.
- ▶ Для удаления пыли и грязи регулярно очищайте полотно маркизы:
 - Для этого используйте воду с 30 г моющего средства и 30 г отбеливателя на 10 л воды.
 - Нанесите состав на полотно и оставьте на пять минут.
 - Тщательно прополощите полотно чистой водой.Убедитесь в том, что жидкость для чистки с отбеливателем полностью смыта. В противном случае полотно может быть повреждено.
- Дайте полотну высохнуть.



УКАЗАНИЕ

Изготовитель рекомендует:

для очистки полотна используйте чистящее средство для маркиз Dometic (№ изделия 9600000165, можно приобрести в сервисной организации).

8.2 Смазка

- ▶ При необходимости, смажьте петли маркизы парафиновым воском, тефлоновым или силиконовым маслом.

8.3 Проверка



ПРЕДУПРЕЖДЕНИЕ!

Не используйте маркизу, если она нуждается в регулировке или ремонте.

При обнаружении повреждений обратитесь в ближайшую сервисную организацию (адреса указаны на обратной стороне инструкции).



УКАЗАНИЕ

Принадлежности Dometic, такие как уплотнительные соединения или пенопластовые прокладки, подвержены природно-климатическому износу. Это не свидетельствует о плохом качестве. Чтобы обеспечить работоспособность этих деталей, Dometic рекомендует заменять резиновые уплотнения и пенопластовые прокладки каждые 5 лет.

- ▶ Регулярно проверяйте равновесие и износ маркизы, а также повреждение основных ее деталей.
- ▶ Регулярно проверяйте маркизу:
 - Полотно без повреждений?
 - Рычаги и направляющая без повреждений и следов износа?
 - Маркиза закрывается должным образом?

8.4 Подтягивание винтов петель

Винты на задней петле необходимо подтянуть через после первых нагрузок:

- после первого отпуски с использованием маркизы
- через 20000 км пробега или шесть месяцев после установки маркизы (в зависимости от того, какой момент наступает раньше)

Кроме того, рекомендуется проверять винты петель в рамках стандартных процедур технического обслуживания автомобиля.

В целях подтягивания винтов обратитесь в сервисную организацию.

Инструкция для сервисной организации (рис. 24, стр. 11)**ВНИМАНИЕ!**

На раздвижные рычаги маркизы не должны действовать усилия, чтобы не фальсифицировать момент затяжки винтов.

- ▶ Слегка поднимите направляющую, чтобы разгрузить шарниры.
- ▶ Подтяните винты с моментом затяжки 15 – 25 Нм.

8.5 Латание небольших отверстий в полотне

Пользователь может заплатать небольшие дырки и участки полотна, на которых отслаивается покрытие.

- ▶ Для этого с помощью хлопчатобумажного лоскута необходимо растереть вокруг поврежденного участка немного жидкого винилового пластиря (№ изделия 9103104018, можно приобрести в сервисной организации).
- ✓ Жидкий виниловый пластирь размягчает покрытие и, высыхая, закупоривает отверстие.
- ▶ Прежде, чем убрать маркизу, подождите, пока восстановленное место высохнет.

9 Устранение неисправностей



УКАЗАНИЕ

Если неисправности не могут быть устранены на основании следующей таблицы, то обратитесь в сервисную организацию в Вашей стране (адреса указаны на оборотной стороне инструкции).

Неисправность	Возможные причины	Вариант устранения
<p>Только PW1500/PW1750</p> <p>Двигатель не реагирует на команды пульта дистанционного управления.</p>	<p>Разряжена батарейка пульта дистанционного управления.</p>	<p>Коротко нажмите одну из двух кнопок \triangle или ∇. Если светодиод пульта дистанционного управления не загорается, это означает, что батарейка разряжена.</p> <p>Замените батарейку, см. гл. «Замена батареек в пульте дистанционного управления и настенном выключателе (только PW1500/PW1750, опция)» на стр. 233.</p>
	<p>Пульт дистанционного управления не настроен на двигатель или настроен неправильно.</p>	<p>Перепрограммируйте пульт дистанционного управления, см. инструкцию по монтажу.</p>
	<p>Отсутствует электропитание</p>	<p>Проверьте электрические соединения.</p>
	<p>Неисправен двигатель.</p>	<p>Уберите маркизу вручную и обратитесь в сервисную организацию.</p>

10 Гарантия

Действителен установленный законом срок гарантии. Если продукт неисправен, обратитесь в торговую организацию или представительство изготовителя в вашей стране (см. dometic.com/dealer).

При обращении по вопросам ремонта или гарантийного обслуживания необходимо также предоставить следующую информацию:

- копию счета с датой покупки
- причину претензии или описание неисправности

11 Утилизация

- По возможности, выкидывайте упаковочный материал в мусор, подлежащий вторичной переработке.



Если Вы окончательно выводите продукт из эксплуатации, то получите информацию в ближайшем центре по вторичной переработке или в торговой сети о соответствующих предписаниях по утилизации.

12 Технические характеристики

PerfectWall PW1000					
Ширина:	2,6 м	3 м	3,5 м	4 м	4,5 м
Вылет:	2 м	2,5 м			
Вес:	18,6 кг	21 кг	24 кг	27 кг	30 кг

PerfectWall PW1500				
Ширина:	1,5 м	2,6 м	3 м	3,5 м
Вылет:	1 м	2 м	2,5 м	2,5 м / 2,75 м
Вес:	12 кг	18 кг	21 кг	24 кг

PerfectWall PW1500				
Ширина:	4 м	4,5 м	5 мм	5,5 м
Вылет:	2,5 м / 2,75 м			
Вес:	27 кг	30 кг	33 кг	36 кг

PerfectWall PW1750			
Ширина:	3 м	3,5 м	4 м
Вылет:	2,5 м		
Вес:	26 кг	30 кг	33 кг

Двигатель 12 В (только PW1500 и PW1750)	
Подводимое напряжение:	12 В---(11 – 15 В)
Сила тока:	7 А
Выходная мощность:	84 Вт
Вращающий момент:	35 Нм
Испытания/сертификат:	

Prosimy o uważne przeczytanie niniejszej instrukcji i przestrzeganie wszystkich instrukcji, wskazówek i ostrzeżeń zawartych w niniejszej instrukcji produktu. Pozwoli to przez cały czas zapewnić prawidłową instalację, zastosowanie oraz konserwację produktu. Niniejsza instrukcja MUSI przez cały czas pozostawać przy produkcie.

Korzystając z produktu, użytkownik potwierdza uważne przeczytanie wszelkich instrukcji, wskazówek i ostrzeżeń, ich zrozumienie oraz zobowiązuje się przestrzegać zawartych w nich warunków. Użytkownik zobowiązuje się wykorzystywać niniejszy produkt wyłącznie zgodnie z jego przeznaczeniem i zamierzonym zastosowaniem oraz z instrukcjami, wskazówkami i ostrzeżeniami wyszczególnionymi w niniejszej instrukcji produktu, jak również ze wszystkimi mającymi zastosowanie przepisami i regulacjami prawnymi. Nieprzestrzeganie zawartych tu instrukcji i ostrzeżeń może skutkować obrażeniami u użytkownika oraz osób trzecich, uszkodzeniem produktu lub też uszkodzeniem mienia w sąsiedztwie produktu. Zastrzega się możliwość wprowadzania zmian i aktualizacji niniejszej instrukcji produktu, wraz z instrukcjami, wskazówkami i ostrzeżeniami oraz powiązaną dokumentacją. Aktualne informacje dotyczące produktu można zawsze znaleźć na stronie dometic.com.



OSTRZEŻENIE!

- Przed przystąpieniem do używania, czyszczenia i konserwacji tego urządzenia należy przeczytać ze zrozumieniem niniejszą instrukcję obsługi.
- Ten produkt musi zostać zamontowany przez specjalistę. Nieprawidłowy montaż może doprowadzić do poważnych obrażeń ciała. Modyfikacje produktu mogą być bardzo niebezpieczne i mogą prowadzić do poważnych obrażeń ciała i uszkodzenia urządzenia.
- Przechowywać instrukcję obsługi przy produkcie. Posiadacz musi ją uważnie przeczytać.

Spis treści

1	Objaśnienie symboli	241
2	Wskazówki bezpieczeństwa	241
3	W zestawie	244
4	Osprzęt	244
5	Użytkowanie zgodne z przeznaczeniem	245
6	Opis techniczny	246
7	Obsługa markizy	247
7.1	Wskazówki dot. miejsca postoju pojazdu	247
7.2	Wysuwanie markizy	247
7.3	Wsuwanie markizy	250
7.4	Rozwijanie rolety (tylko PW1750)	252
7.5	Zwijanie rolety (tylko PW1750)	252
7.6	Ustawianie silnika 12 V (tylko PW1500/PW1750, opcjonalnie) ..	253
7.7	Wymiana baterii w pilocie i wyłączniku ściennym (tylko PW1500/PW1750, opcjonalnie)	253
8	Czyszczenie i konserwacja	254
8.1	Czyszczenie	254

8.2	Smarowanie	254
8.3	Kontrola	255
8.4	Dokręcanie śrub przegubów ramienia.	255
8.5	Łatanie drobnych dziur w materiale	256
9	Usuwanie usterek	257
10	Gwarancja.	257
11	Utylizacja	258
12	Dane techniczne.	258

1 Objąśnienie symboli



OSTRZEŻENIE!

Wskazówka bezpieczeństwa informująca o niebezpiecznej sytuacji, która – jeśli się jej nie uniknie – może prowadzić do śmierci lub ciężkich obrażeń.



UWAGA!

Wskazówka informująca o sytuacji, która – jeśli się jej nie uniknie – może prowadzić do powstania szkód materialnych.



WSKAZÓWKA

Informacje uzupełniające dotyczące obsługi produktu.

2 Wskazówki bezpieczeństwa

Należy stosować się do wskazówek dotyczących bezpieczeństwa i zaleceń producenta i warsztatów serwisowych.



OSTRZEŻENIE! Nieprzestrzeganie tych ostrzeżeń może prowadzić do śmierci lub ciężkich obrażeń.

Zagrożenie zdrowia

- Przed rozpoczęciem jazdy sprawdzić, czy markiza jest całkowicie wsunięta. Nigdy nie ruszać pojazdem przy otwartej markizie.
- Nigdy nie jeździć z założoną korbką. Przed rozpoczęciem jazdy korbkę należy zdjąć.

- Nie jeździć, jeśli materiał markizy jest uszkodzony lub naderwany – również wtedy, gdy markiza została prawidłowo zamknięta. Ramiona markizy są podtrzymywane przez materiał. Rozerwanie materiału podczas jazdy powoduje gwałtowne rozłożenie markizy. Może to doprowadzić do poważnych obrażeń ciała. Zabezpieczyć markizę w taki sposób, aby podczas jazdy nie doszło do jej przypadkowego wysunięcia.
- **Nie** otwierać markizy podczas jazdy.
- Uważać, aby na materiale nie zbierała się woda lub śnieg. Woda lub śnieg może spowodować uszkodzenie markizy lub złamanie jej ramion, co z kolei może doprowadzić do ciężkich obrażeń ciała lub śmierci.
- Nie zbliżać się do markizy,
 - gdy była otwarta podczas silnego wiatru,
 - gdy utworzyła się na niej kałuża wody,
 - gdy zebrał się na niej śnieg,
 - gdy na materiale znajdują intensywne osady brudu.Markiza może uruchomić się niespodziewanie, być niestabilna, przechylić się lub złamać.
- Dzieci od 8 lat i osoby o ograniczonych możliwościach fizycznych, sensorycznych lub intelektualnych oraz osoby niedysponujące stosowną wiedzą i doświadczeniem mogą używać tego urządzenia jedynie pod nadzorem innej osoby bądź pod warunkiem uzyskania informacji dotyczących bezpiecznego użytkowania urządzenia i zrozumienia wynikających z tego zagrożeń.
- Należy dopilnować, aby dzieci nie bawiły się urządzeniem.

Ryzyko porażenia prądem

- **Opcjonalnie dla PW1500/PW1750:** Uszkodzony przewód przyłączeniowy markizy musi wymienić specjalista.
- **Opcjonalnie dla PW1500/PW1750:** Przed myciem pojazdu w pobliżu markizy lub czyszczeniem samej markizy przerwać dopływ prądu za pomocą włącznika/wyłącznika.
- **Opcjonalnie dla PW1500/PW1750: Urządzenia elektryczne nie są zabawkami.**
Przechowywać pilot poza zasięgiem dzieci. Nie pozwolić, aby bawiły się wyłącznikiem ściennym (osprzętem).



OSTROŻNIE! Nieprzestrzeganie tych uwag może prowadzić do lekkich lub umiarkowanych obrażeń.

Zagrożenie zdrowia

- **Nie** otwierać markizy podczas silnego wiatru lub opadów śniegu.
- Wsunąć markizę przed nadejściem silnego wiatru, deszczu lub opadów śniegu.
- Nie pozostawiać wysuniętej markizy bez nadzoru. Wsunąć markizę przed opuszczeniem miejsca postoju.
- Podczas grillowania przy otwartym ogniu zachować odpowiedni odstęp od markizy. W wyniku działania wysokiej temperatury materiał może zostać uszkodzony lub spalony.
- Podczas obsługi markizy nie należy dotykać jej ruchomych części. Ruchome części stwarzają ryzyko obrażeń.
- **Opcjonalnie dla PW1500/PW1750:** Markizę należy obsługiwać tylko wtedy, gdy produkt jest bezpośrednio widoczny z zewnątrz.



UWAGA! Ryzyko uszkodzenia

- Pojazdy kempingowe lub przyczepy kempingowe należy parkować tak, aby na materiał markizy nie spadały żadne zanieczyszczenia (gałęzie, liście itp.).
- Materiał markizy nie może zwisać na rogach i musi być stale naprężony. Zwisający materiał może ocierać się o ramiona, ulegając uszkodzeniu.
W przypadku długich markiz materiału może zapadać się w środkowej części.
- Markizę można wsunąć tylko wówczas, gdy na materiale nie znajdują się żadne zanieczyszczenia (gałęzie, liście itp.). W przeciwnym razie markiza może ulec uszkodzeniu.
- Chronić markizę przed brudem, aby uniknąć przetarcia, plam i pleśni.
- Mokłą markizę wsuwać tylko w przypadku zagrożenia bezpieczeństwa. Możliwie jak najszybciej wysunąć ją ponownie. W przeciwnym razie może dojść do powstania pleśni lub plam bądź wyblaknięcia kolorów.
- Nie zginać w dół ramienia markizy lub osłony w celu usunięcia z niej wody. Powstałe w ten sposób odkształcenia mogą pogorszyć działanie markizy.
- Nie wieszac żadnych przedmiotów na markizie ani na przedniej osłonie lub ramionach.

- Nie używać sprayu (np. do owadów, do włosów) w pobliżu markizy. Prowadzi to do zabrudzenia materiału lub utraty jego właściwości hydrofobowych.
- Jeżeli po zamontowaniu markizy brakuje wolnego miejsca nad drzwiami, podczas wsuwania i wysuwania markizy drzwi muszą pozostać zamknięte, aby uniknąć kontaktu z ramionami lub szyną główną.
Wymagana wolna przestrzeń zależy od konstrukcji drzwi (szerokość drzwi, drzwi uchylne lub przesuwane) oraz ustawionego kąta nachylenia markizy.

3 W zestawie

Ilość	Opis
1	Markiza
1	Ręczna korbka (tylko przy markizach bez silnika)
1	Napinacz (tylko przy markizach o długości od 4 m)
1	Pilot (tylko PW1500/PW1750, opcjonalnie)
1	Przełącznik markizy (tylko PW1500/PW1750, opcjonalnie)
4	Szpilka
1	Instrukcja obsługi
1	Instrukcja montażu

4 Osprzęt

Elementy dostępne jako akcesoria (niedostarczane w zestawie):

Opis

TieDown Kit

Pasy do mocowania markizy

CampRoom

Panel przedni i boki przedsiönka dla różnych modeli z podpórkami w różnych rozmiarach

RainProtect

Panel przedni i boki dostępne w różnych rozmiarach

Opis

SunProtect

Panel przedni i boki dostępne w różnych rozmiarach

Rollo+ (nieprzeznaczony dla PW1750)

Roleta

Dometic Light LK120

Zestaw lamp LED z pilotem do montażu na ramionach markizy

LED LightStrip

Listwa LED dostępna w różnych długościach do montażu na spodniej stronie markizy

Profil LED

Oświetlenie LED dostępne w różnych długościach do montażu na spodniej stronie markizy ściennych

Preparat do czyszczenia markizy

Specjalny preparat do czyszczenia markizy

Repair Kit

Łatka do naprawiania markizy

5 Użytkowanie zgodne z przeznaczeniem

Markizy PerfectWall PW1000, PW1500 i PW1750 przeznaczone są do montowania na pojazdach kempingowych lub przyczepach kempingowych.

Markizy można używać tylko podczas postoju.

Niniejszy produkt jest przystosowany wyłącznie do wykorzystywania zgodnie z jego przeznaczeniem oraz zamierzonym zastosowaniem według niniejszej instrukcji.

Niniejsza instrukcja zawiera informacje, które są niezbędne do prawidłowego montażu i/lub obsługi produktu. Nieprawidłowy montaż i/lub niewłaściwa obsługa lub konserwacja powodują niezadowalające rezultaty i mogą prowadzić do uszkodzeń.

Producent nie ponosi żadnej odpowiedzialności za ewentualne obrażenia lub uszkodzenia produktu wynikłe z następujących przyczyn:

- Nieprawidłowy montaż lub podłączenie, w tym zbyt wysokie napięcie
- Niewłaściwa konserwacja lub użycie innych części zamiennych niż oryginalne części zamienne dostarczone przez producenta
- Wprowadzanie zmian w produkcie bez wyraźnej zgody producenta
- Użytkowanie w celach innych niż opisane w niniejszej instrukcji obsługi

Firma Dometic zastrzega sobie prawo do zmiany wyglądu i specyfikacji produktu.

6 Opis techniczny

PerfectWall PW1000, PW1500 i PW1750 są markizami, które można wysuwać i wsuwać za pomocą ręcznej korbki.

Markizy PerfectWall PW1500 i PW1750 mogą być opcjonalnie również wysuwane i wsuwane za pomocą silnika 12 V, tj. sterowane przełącznikiem i pilotem.

Ta markiza jest zabezpieczana podporami przy ścianie pojazdu lub na ziemi.

Markiza PW1750 ma roletę zintegrowaną z szyną główną, którą można wyciągnąć celem ochrony przed deszczem lub słońcem.

Elementy obsługowe pilota (tylko PW1500/PW1750, opcjonalnie)

Poz na rys. 1 , strona 3	Opis
1	Wsuvanie markizy
2	Zatrzymanie
3	Wysuwanie markizy
4	Wyłączanie/Włączenie oświetlenia LED (osprzęt)

Elementy obsługowe przełącznika (tylko PW1500/PW1750, opcjonalnie)

Poz na rys. 1 , strona 3	Opis
1	Wsuvanie markizy
2	Zatrzymanie
3	Wysuwanie markizy

7 Obsługa markizy

Należy stosować się do uwag dot. Bezpieczeństwa w rozdz. „Wskazówki bezpieczeństwa” na stronie 241.

7.1 Wskazówki dot. miejsca postoju pojazdu



UWAGA!

- Pojazd parkować tak, aby na materiał markizy nie spadały żadne zanieczyszczenia (gałęzie, liście itp.).
- Chronić markizę przed brudem, aby uniknąć przetarcia, plam i pleśni.

7.2 Wysuwanie markizy

Wysuwanie markizy za pomocą korbki ręcznej



OSTRZEŻENIE! Ryzyko obrażeń.

Zachować wystarczającą odległość od przedmiotów lub innych pojazdów. Po wysunięciu markizy minimalna odległość musi wynosić 40 cm ze wszystkich stron.

- Zablokować korbkę ręczną w mocowaniu markizy (rys. **2**, strona 3).
- Obracać korbką ręczną, aż markiza zostanie wysunięta na ok. 1,5 m (rys. **3**, strona 4).
- Całkowicie zsunąć prawą podporę w osłonie przedniej tak, aby możliwe było jej swobodne przemieszczanie (rys. **5**, strona 5).
- Obrócić prawą podporę w bok (rys. **5**, strona 5).
- Rozłożyć prawą podporę w dół i postawić na ziemi (rys. **6**, strona 5).
- Ustawić żądaną wysokość podpory (rys. **7**, strona 6).
- Przetawić dźwignię podpory w górę, aby ją zablokować (rys. **8**, strona 6).
- Tak samo postąpić z drugą podporą.
- Przekręcić korbkę ręczną tak, aby markiza wysunęła się do pożądanej pozycji. Ustawić podpory pionowo co 30 cm pod szyną główną w taki sposób, żeby markiza była w należyty sposób utrzymywana.
- Przekręcić korbkę ręczną o ok. 1/4 obrotu z powrotem, aby naprężyć materiał.



UWAGA! Ryzyko uszkodzenia.

Materiał markizy nie może zwisać na rogach i musi być stale naprężony. Zwisający materiał może ocierać się o ramiona, ulegając uszkodzeniu. W przypadku długich markiz materiału może zapadać się w środkowej części.

- ▶ Wyczepić korbkę ręczną z mocowania markizy.

Wysuwanie markizy za pomocą silnika 12 V (tylko PW1500/PW1750, opcjonalnie)



OSTRZEŻENIE! Ryzyko obrażeń.

Zachować wystarczającą odległość od przedmiotów lub innych pojazdów. Po wysunięciu markizy minimalna odległość musi wynosić 40 cm ze wszystkich stron.



WSKAZÓWKA

Wyłącznie przy obsłudze za pomocą pilota:

- Gdy pojazd zostaje uruchomiony, markiza wsuwa się automatycznie. Gdy pojazd jedzie, markiza jest blokowana i nie można jej wysuwać.
- Odbiornik wydaje sygnał dźwiękowy raz po włączeniu.
- Działanie pilota może być zakłócane falami radiowymi, jeśli w pobliżu znajduje się inne urządzenie używające tej samej częstotliwości.
- Trzymać pilota w bezpiecznym miejscu podczas jazdy. Magnes w uchwycie nie jest przeznaczony do silnych wibracji, takich jak gwałtowne hamowanie.

- ▶ Nacisnąć włącznik ▽ lub pilota i przytrzymać, dopóki markiza nie wysunie się na długość około 1,5 m (rys. **4**, strona 4).
- ▶ Całkowicie zsunąć prawą podporę w osłonie przedniej tak, aby możliwe było jej swobodne przemieszczanie (rys. **5**, strona 5).
- ▶ Obrócić prawą podporę w bok (rys. **5**, strona 5).
- ▶ Rozłożyć prawą podporę w dół i postawić na ziemi (rys. **6**, strona 5).
- ▶ Ustawić żądaną wysokość podpory (rys. **7**, strona 6).
- ▶ Przesunąć dźwignię podpory w górę, aby ją zablokować (rys. **8**, strona 6).
- ▶ Tak samo postąpić z drugą podporą.

- ▶ Nacisnąć włącznik ▽ lub pilota i przytrzymać, dopóki markiza nie wysunie się do żądanej pozycji. Ustawić podpory pionowo co 30 cm pod szyną główną w taki sposób, żeby markiza była w należyty sposób utrzymywana.
- ▶ Nacisnąć włącznik ▽ lub pilota i przytrzymać, dopóki markiza nie wsunie się do takiej pozycji, w której materiał zostanie napięty.



UWAGA! Ryzyko uszkodzenia.

Materiał markizy nie może zwisać na rogach i musi być stale naprężony. Zwisający materiał może ocierać się o ramiona, ulegając uszkodzeniu. W przypadku długich markiz materiału może zapadać się w środkowej części.

Stawianie podpór na ziemi



OSTRZEŻENIE! Ryzyko obrażeń

- Podpory zawsze stawiać wyłącznie na stabilnym podłożu.
- Zabezpieczyć podpory przed poślizgiem.

- ▶ Ustawić podporę pionowo pod szyną główną.
- ▶ Zabezpieczyć podporę szpilkami (rys. **9**, strona 6).
- ▶ Jedną podporę stawić trochę niżej, aby szyna główna wisała pod lekkim skosem. Ułatwi to spływanie deszczu (rys. **10**, strona 6).

Mocowanie podpór do pojazdu

Po zamontowaniu odpowiednich blokad możliwe jest mocowanie markizy bezpośrednio do pojazdu.

- ▶ Przesunąć osłonę blokady w górę (rys. **11**, strona 7).
- ▶ Zaczeplić podporę w blokadzie (rys. **11**, strona 7).
- ▶ Przesunąć osłonę blokady w dół (rys. **11**, strona 7).
- ▶ Jedną podporę stawić trochę niżej, aby szyna główna wisała pod lekkim skosem. Ułatwi to spływanie deszczu (rys. **12**, strona 7).

Montaż napinacza (rys. 13, strona 7)

W przypadku markiz o długości 4 m lub dłuższych na ich środku musi zostać zamontowana napinacz. Zapobiega to uginaniu markizy.

- ▶ Zsunąć napinacz.
- ▶ Górny koniec napinacza zablokować w uchwycie przy obudowie.
- ▶ Drugi koniec napinacza wsunąć w uchwyt w listwie głównej.

7.3 Wsuwanie markizy



UWAGA!

- Markizę można wsunąć tylko wówczas, gdy na materiale nie znajdują się żadne zanieczyszczenia (gałęzie, liście itp.). W przeciwnym razie markiza może ulec uszkodzeniu.
- Chronić markizę przed brudem, aby uniknąć przetarcia, plam i pleśni.
- Podczas wsuwania markizy uważać, aby nie zakleszczyły się gałęzie lub inne przedmioty.

- ▶ Usunąć wszelkie zanieczyszczenia (gałęzie, liście itp.) znajdujące się na materiale.
- ▶ Zwolnić mocowanie podpór (szpilki lub blokady na pojeździe).

Wsuwanie markizy za pomocą korbki ręcznej

- ▶ Górny koniec korbki ręcznej zablokować w uchwycie markizy.
- ▶ Obracać korbką ręczną, aż markiza będzie wysunięta tylko jeszcze na ok. 1,5 m. Ustawić podpory pionowo co 30 cm pod szyną główną w taki sposób, żeby markiza była w należyty sposób utrzymywana.
- ▶ Przetawić dźwignię prawej podpory w dół, aby ją odblokować.
- ▶ Całkowicie zsunąć podporę.
- ▶ Prawą podporę złożyć do góry.
- ▶ Obrócić prawą podporę w stronę szyny głównej.
- ▶ Wsunąć dolną część prawej podpory w blokadę szyny głównej.
- ▶ Tak samo wsunąć drugą podporę.
- ▶ Kręcić korbką ręczną do momentu całkowitego wsunięcia markizy.

- ▶ Przed odjazdem upewnić się, że markiza jest całkowicie wsunięta. Szyna główna musi mocno przylegać do obudowy.
- ▶ Wyczepić korbkę ręczną z mocowania markizy.

**UWAGA! Ryzyko uszkodzenia.**

W przypadku wsunięcia wilgotnej markizy należy przy najbliższej okazji wysunąć ją i pozostawić do wyschnięcia. Jeśli wilgotny materiał będzie przez dłuższy czas zrolowany, może on zapleśnieć i wyblaknąć.

Wsuwanie markizy za pomocą silnika 12 V (tylko PW1500/PW1750, opcjonalnie)

- ▶ Nacisnąć włącznik \triangle lub pilota i przytrzymać, dopóki markiza nie wysunie się na długość około 1,5 m. Ustawić podpory pionowo co 30 cm pod szyną główną w taki sposób, żeby markiza była w należyty sposób utrzymywana.
- ▶ Przeszawić dźwignię prawej podpory w dół, aby ją odblokować.
- ▶ Całkowicie zsunąć podporę.
- ▶ Prawą podporę złożyć do góry.
- ▶ Obrócić prawą podporę w stronę szyny głównej.
- ▶ Wsunąć dolną część prawej podpory w blokadę szyny głównej.
- ▶ Tak samo wsunąć drugą podporę.
- ▶ Nacisnąć włącznik \triangle lub pilota i przytrzymać, dopóki markiza nie wsunie się całkowicie.
- ▶ Przed odjazdem upewnić się, że markiza jest całkowicie wsunięta. Szyna główna musi mocno przylegać do obudowy.

**UWAGA! Ryzyko uszkodzenia.**

W przypadku wsunięcia wilgotnej markizy należy przy najbliższej okazji wysunąć ją i pozostawić do wyschnięcia. Jeśli wilgotny materiał będzie przez dłuższy czas zrolowany, może on zapleśnieć i wyblaknąć.

7.4 Rozwijanie rolety (tylko PW1750)

- ▶ Otworzyć blokadę na środku szyny głównej (rys. **14**, strona 8).
- ▶ Przesunąć uchwyty z prawej i lewej strony w szynę rolety (rys. **15**, strona 8).
- ▶ Przeprowadzić pasy napinające lub sznurki przez pętle w uchwytach (rys. **15**, strona 8).
- ▶ Pociągnąć równomiernie roletę za szynę obiema rękami w dół (rys. **16**, strona 8).
Maksymalna wysokość wyciągu wynosi 1,2 m.
- ▶ Zamocować uchwyty z prawej i lewej strony do podpór (rys. **17**, strona 9).
lub
- ▶ Przymocować sznurki do szpilek (rys. **18**, strona 9).

7.5 Zwijanie rolety (tylko PW1750)

- ▶ Poluzować mocowania rolety.
- ▶ Pociągnąć roletę w dół (rys. **19**, strona 9).
- ✓ Roleta zwinie się samoczynnie w szynie głównej.
- ▶ Wyciągnąć uchwyty z prawej i lewej strony z szyny (rys. **20**, strona 10).
- ▶ Otworzyć blokadę na środku szyny głównej (rys. **21**, strona 10).



UWAGA! Ryzyko uszkodzenia.

W przypadku zwinienia wilgotnej rolety należy przy najbliższej okazji ją rozwinąć i osuszyć. Jeśli wilgotny materiał jest przez dłuższy czas zrolowany, może zapleśnieć i wyblaknąć.

7.6 Ustawianie silnika 12 V (tylko PW1500/PW1750, opcjonalnie)



WSKAZÓWKA

Silnik 12 V jest wstępnie zamontowany w rurze nawojowej.

- ▶ Jeśli nie da się całkowicie wsunąć lub wysunąć markizy, należy ustawić silnik 12 V (rys. 22, strona 10).

7.7 Wymiana baterii w pilocie i wyłączniku ściennym (tylko PW1500/PW1750, opcjonalnie)



WSKAZÓWKA

Jeśli dioda LED znajdująca się na pilocie po naciśnięciu dowolnego przycisku **nie** zaświeci się, będzie to oznaczać, że bateria jest rozładowana.

- ▶ Otworzyć obudowę (rys. 23 1, strona 11).
- ▶ Wyjąć starą baterię z zamocowania.
- ▶ Włożyć nową baterię (typ CR2450 dla pilota, typ CR2430 dla wyłącznika ściennego, rys. 23 2, strona 11) do uchwytu ze znakami dodatnimi skierowanymi do góry.
- ▶ Ponownie złożyć pilota lub wyłącznik ścienny.



Chroń środowisko naturalne!

Akumulatory i baterie nie zaliczają się do odpadów domowych. Uszkodzone akumulatory lub zużyte baterie należy przekazać do punktu sprzedaży lub punktu przyjmującego surowce wtórne.

8 Czyszczenie i konserwacja

8.1 Czyszczenie



UWAGA! Ryzyko uszkodzenia.

- **Nigdy** nie czyścić markizy myjką wysokociśnieniową.
- Nie używać do czyszczenia abrazyjnych środków czyszczących ani twardych przedmiotów, gdyż mogą one uszkodzić produkt.

- ▶ Usuwać zabrudzenia (gałęzie, liście itp.) z materiału markizy, aby uniknąć powstawania przetarć, plam i pleśni. Markiza może też ulec uszkodzeniu podczas wsuwania.
- ▶ Regularnie czyścić materiał markizy, usuwając z niego kurz i brud.
 - Używać do tego mieszanki z 10 litrów wody i 30 ml płynu do mycia naczyń oraz 30 ml środka wybielającego.
 - Nanieść płyn czyszczący na materiał i pozostawić na pięć minut do wsiąknięcia.
 - Sflukać dokładnie czystą wodą.
Upewnić się, czy detergent ze środkiem wybielającym został całkowicie usunięty. Pozostałości mogą uszkodzić materiał.
 - Pozostawić materiał do wyschnięcia.



WSKAZÓWKA

Zalecenie producenta:

Do czyszczenia tkaniny stosować środek do czyszczenia markiz Dometic (nr katalogowy 9600000165, dostępny u partnerów serwisowych).

8.2 Smarowanie

- ▶ W razie potrzeby należy posmarować przeguby markizy woskiem parafinowym, olejem teflonowym lub silikonowym.

8.3 Kontrola



OSTRZEŻENIE!

Nie używać markizy, gdy konieczne są regulacje lub naprawy. W przypadku stwierdzenia uszkodzeń należy zwrócić się do partnera serwisowego działającego w danym kraju (adresy na odwrocie instrukcji).



WSKAZÓWKA

Akcesoria firmy Dometic, takie jak uszczelnienia lub taśmy piankowe, ulegają zużyciu wskutek oddziaływania na nie warunków środowiskowych. Nie świadczy to o ich niskiej jakości. Aby zapewnić prawidłowe działanie tych elementów, firma Dometic zaleca wymianę gumowych uszczelek i taśm piankowych co 5 lat.

- ▶ Regularnie kontrolować markizę pod kątem niewyważenia i zużycia oraz uszkodzenia głównych elementów.
- ▶ Należy regularnie sprawdzać markizę:
 - czy materiał nie jest uszkodzony,
 - czy ramiona oraz szyna główna nie są uszkodzone i nie widać na nich śladów zużycia,
 - czy markiza zamyka się prawidłowo?

8.4 Dokręcanie śrub przegubów ramienia

Śruby w przegubie ramienia po pierwszych obciążeniach muszą zostać dociągnięte:

- po pierwszym urlopie z wykorzystaniem markizy,
- po przebyciu 20 000 km lub po sześciu miesiącach od zamontowania markizy (zależnie od tego, co nastąpi jako pierwsze).

Ponadto śruby w przegubie ramienia powinny być kontrolowane podczas regularnych inspekcji pojazdu.

W celu dokręcenia śrub należy zwrócić się do partnera serwisowego.

Wskaźniki odnośnie serwisowania (rys. 24, strona 11)**UWAGA!**

Ramiona markizy muszą pozostawać nieobciążone. Ma to zapobiec nieprawidłowemu momentowi dokręcenia śrub.

- ▶ Należy lekko unieść szynę główną, aby uwolnić od obciążenia przeguby.
- ▶ Dociągnąć śruby momentem 15 – 25 Nm.

8.5 Łatanie drobnych dziur w materiale

Małe dziury w materiale lub miejscach, w których powłoka rozchodzi się, można załatać samodzielnie:

- ▶ W tym celu przetrzeć bawełnianą ściereczką obszar wokół uszkodzonego miejsca z dodatkiem niewielkiej ilości płynnego plastra winylowego (nr katalogowy 9103104018, dostępny u partnera serwisowego).
- ✓ Płynny plaster winylowy rozpuszcza powłokę. Podczas schnięcia powłoka zamyka dziurę.
- ▶ Przed wsunięciem markizy należy odczekać, aż miejsce załatania wyschnie.

9 Usuwanie usterek



WSKAZÓWKA

W przypadku stwierdzenia usterek, których nie można usunąć na podstawie wskazówek zawartych w poniższej tabeli, należy zwrócić się do partnera serwisowego działającego w danym kraju (adresy na odwrocie instrukcji).

Usterka	Możliwa przyczyna	Proponowane rozwiązanie
Tylko PW1500/PW1750: Silnik nie reaguje na pilota.	Bateria w pilocie jest pusta.	Przez chwilę naciśnięć jeden z przycisków \triangle lub ∇ . Jeśli dioda LED w pilocie się nie zaświeci, będzie to oznaczać, że bateria jest pusta. Wymienić baterię, zob. rozdz. „Wymiana baterii w pilocie i wyłączniku ściennym (tylko PW1500/PW1750, opcjonalnie)” na stronie 253.
	Pilot nie jest ustawiony względem silnika lub ustawienie jest nieprawidłowe.	Przeprogramować pilota, zob. instrukcja montażu.
	Brak zasilania.	Sprawdzić połączenia elektryczne.
	Silnik jest uszkodzony.	Wsunąć markizę ręcznie i skontaktować się z partnerem serwisowym w danym kraju.

10 Gwarancja

Obowiązuje ustawowy okres gwarancji. W przypadku stwierdzenia uszkodzenia produktu należy zgłosić się do jego sprzedawcy lub oddziału producenta w danym kraju (patrz dometic.com/dealer).

W celu naprawy lub rozpatrzenia gwarancji konieczne jest przesłanie następujących dokumentów:

- Kopii rachunku z datą zakupu
- Informacji o przyczynie reklamacji lub opisu wady

11 Utylizacja

- Opakowanie należy wyrzucić do odpowiedniego pojemnika na śmieci do recyklingu.



Jeżeli produkt nie będzie dłużej eksploatowany, koniecznie dowiedz się w najbliższym zakładzie recyklingu lub w specjalistycznym sklepie, jakie są aktualnie obowiązujące przepisy dotyczące utylizacji.


12 Dane techniczne

PerfectWall PW1000					
Szerokość:	2,6 m	3 m	3,5 m	4 m	4,5 m
Długość po wyciągnięciu:	2 m	2,5 m			
Masa:	18,6 kg	21 kg	24 kg	27 kg	30 kg

PerfectWall PW1500				
Szerokość:	1,5 m	2,6 m	3 m	3,5 m
Długość po wyciągnięciu:	1 m	2 m	2,5 m	2,5 m / 2,75 m
Masa:	12 kg	18 kg	21 kg	24 kg

PerfectWall PW1500				
Szerokość:	4 m	4,5 m	5 m	5,5 m
Długość po wyciągnięciu:	2,5 m / 2,75 m			
Masa:	27 kg	30 kg	33 kg	36 kg

PerfectWall PW1750			
Szerokość:	3 m	3,5 m	4 m
Długość po wyciągnięciu:	2,5 m		
Masa:	26 kg	30 kg	33 kg

Silnik 12 V (tylko PW1500 i PW1750)	
Napięcie zasilania:	12 V $\overline{\text{---}}$ (11 – 15 V)
Natężenie prądu:	7 A
Moc wyjściowa:	84 W
Moment obrotowy:	35 Nm
Kontrola/certyfikat:	

Dôkladne si prečítajte tento návod a dodržiavajte všetky pokyny, usmernenia a varovania uvedené v tomto návode k výrobku, aby bolo zarúčené, že výrobok bude vždy správne nainštalovaný, používaný a udržiavaný. Tento návod MUSÍ zostať priložený k výrobku.

Používaním tohto výrobku týmto potvrdzujete, že ste si dôkladne prečítali všetky pokyny, usmernenia a varovania a že rozumiete a súhlasíte s dodržiavaním všetkých uvedených podmienok. Súhlasíte, že tento výrobok budete používať iba v súlade s určeným použitím a v súlade s pokynmi, usmerneniami a varovania uvedenými v tomto návode k výrobku, ako aj v súlade so všetkými platnými zákonmi a nariadeniami. V prípade, že si neprečítate a nebudete sa riadiť pokynmi a varovaniami uvedenými v tomto návode, môže mať za následok vaše poranenie alebo poranenie iných osôb, poškodenie vášho výrobku alebo poškodenie majetku v jeho blízkosti. Tento návod na obsluhu výrobku vrátane pokynov, usmernení a varovaní, a súvisiaca dokumentácia môže podliehať zmenám a aktualizáciám. Najaktuálnejšie informácie o výrobku nájdete na adrese dometic.com.



VÝSTRAHA!

- Tento návod si musíte prečítať a porozumieť mu pred použitím, čistením a údržbou.
- Tento produkt musí namontovať odborník. Nesprávna montáž môže viesť k ťažkým zraneniam. Prestavby na produkte môžu byť mimoriadne nebezpečné a môžu viesť k ťažkým zraneniam alebo poškodeniam prístroja.
- Tento návod musí zostať v blízkosti produktu. Vlastník si ho musí pozorne prečítať.

Obsah

1	Vysvetlenie symbolov	261
2	Bezpečnostné pokyny	261
3	Rozsah dodávky	264
4	Príslušenstvo	264
5	Používanie v súlade s určením	265
6	Technický opis	266
7	Ovládanie markízy	267
7.1	Upozornenia týkajúce sa miesta odstavenia vozidla	267
7.2	Roztiahnutie markízy	267
7.3	Zatiahnutie markízy	270
7.4	Rozvinutie žalúzie (iba model PW1750)	272
7.5	Zvinutie žalúzie (iba model PW1750)	272
7.6	Nastavenie 12 V motora (iba modely PW1500/PW1750, voliteľné)	273
7.7	Výmena batérií diaľkového ovládania a nástenného vypínača (iba modely PW1500/PW1750, voliteľné)	273
8	Čistenie a údržba	274
8.1	Čistenie	274
8.2	Mazanie	274

8.3	Kontrola	275
8.4	Dotiahnutie skrutiek kĺbu ramena	275
8.5	Zaplátanie malých dier v tkanine.	276
9	Odstraňovanie porúch	276
10	Záruka	277
11	Likvidácia	277
12	Technické údaje	277

1 Vysvetlenie symbolov



VÝSTRAHA!

Bezpečnostné upozornenie na nebezpečnú situáciu, ktorá môže viesť k usmrteniu alebo ťažkému poraneniu, ak sa jej nezabráni.



POZOR!

Upozornenie na situáciu, ktorá môže viesť k materiálным škodám, ak sa jej nezabráni.



POZNÁMKA

Doplňujúce informácie týkajúce sa obsluhy produktu.

2 Bezpečnostné pokyny

Rešpektujte bezpečnostné pokyny a podklady vydané výrobcom vozidla a autorizovanými servismi.



VÝSTRAHA! Nedodržanie týchto varovaní môže mať za následok smrť alebo vážne poranenie.

Nebezpečenstvo ohrozenia zdravia

- Pred začatím jazdy skontrolujte, či je markíza úplne zatiahnutá. Vozidlo nikdy nepohybujte s rozťahnutou markízou.
- Nikdy nejazdite so zavesenou kľukou. Kľuku pred začatím jazdy odmontujte.

- S vozidlom nejazdite, keď je tkanina markízy poškodená alebo roztrhaná, aj keď je markíza riadne zatiahnutá. Ramená markízy drží tkanina markízy. Keď sa tkanina pri jazde roztrhne, markíza sa náhle roztiahne. To môže viesť k vážnym zraneniam. Markízu zaistite tak, aby sa počas jazdy nemohla náhle a neočakávane roztiahnuť.
- Markízu **neroztáhuajte** počas jazdy.
- Dbajte na to, aby sa na tkanine nahromadila voda alebo sneh. V opačnom prípade sa markíza môže poškodiť, alebo môžu prasknúť ramená markízy a spôsobiť tak ťažké zranenia alebo smrť.
- K markíze sa nepribližujte,
 - keď ste ju nechali roztiahnutú počas silného vetra,
 - keď sa na nej nahromadila voda,
 - keď sa na nej nahromadil sneh,
 - keď sa na tkanine markízy nachádza veľké množstvo hrubých nečistôt.Markíza sa môže neočakávane pohnúť, stať sa nestabilnou a prehnúť sa alebo zlomiť.
- Toto zariadenie smú používať deti od 8 rokov a osoby so zníženými psychickými, zmyslovými alebo mentálnymi schopnosťami a vedomosťami, keď sú pod dozorom alebo keď boli poučené o bezpečnom používaní zariadenia a chápu, aké riziká z toho vyplývajú.
- Dohliadnite na to, aby sa deti nehrali so zariadením.

Nebezpečenstvo úrazu elektrickým prúdom

- **Voliteľne pre PW1500/PW1750:** Ak je pripájací kábel markízy poškodený, musí ho vymeniť odborník.
- **Voliteľne pre PW1500/PW1750:** Pred čistením vozidla v blízkosti markízy alebo samotnej markízy odpojte prívod elektrickej energie pomocou hlavného vypínača.
- **Voliteľne pre PW1500/PW1750: Elektrické zariadenia nie sú detské hračky.**
Diaľkové ovládanie uschovajte mimo dosahu detí. Nedovoľte deťom, aby sa hrali s nástenným vypínačom (príslušenstvo).



UPOZORNENIE! Nedodržanie týchto upozornení môže mať za následok drobné alebo stredne ťažké poranenie.

Nebezpečenstvo ohrozenia zdravia

- Markízu **neroztáhuajte** pri silnom vetre alebo snežení.
- Markízu zatiahnite, keď sa očakáva silný vietor, silný dážď alebo sneženie.

- Roztiahnutú markízu nenechávajte bez dozoru. Skôr ako opustíte vaše stanovisko, zatiahnite markízu.
- Pri grilovaní na otvorenom ohni sa zdržiavajte v dostatočnej vzdialenosti od markízy. Tkanina sa môže od tepla poškodiť alebo môže začať horieť.
- Nedotýkajte sa pohyblivých častí počas ovládania markízy. Hrozí nebezpečenstvo poranenia pohyblivými časťami.
- **Voliteľne pre PW1500/PW1750:** Markízu ovládajte iba vtedy, keď ju môžete vidieť priamo zvonku



POZOR! Nebezpečenstvo poškodenia

- Obytné vozidlo alebo karavan odstavte tak, aby sa na tkaninu markízy nemohli dostať žiadne nečistoty (konáre, listy alebo podobné).
- Tkanina markízy nesmie na okrajoch prevísať, ale musí byť vždy napnutá. Keď tkanina prevísa, môže dochádzať k jej treniu o ramená a k jej následnému poškodeniu.
V prípade dlhých markíz môže tkanina prevísať v strede.
- Markízu zaťahujte len vtedy, keď sa na jej tkanine nenachádzajú žiadne nečistoty (konáre, listy alebo pod.). V opačnom prípade sa markíza pri zaťahovaní môže poškodiť.
- Markízu udržiavajte v čistote, aby ste zabránili vytvoreniu odretých miest, škvrn a plesní.
- Mokrú markízu zaťahujte len z bezpečnostných dôvodov. Hneď ako to bude možné, ju znova rozťahnite. V opačnom prípade sa môžu na markíze vytvoriť škvrny alebo plesne, alebo môže vyblednúť farba.
- Nikdy neohýbajte rameno markízy alebo clonu smerom nadol, aby ste nechali odtiecť vodu z markízy. Markíza sa tým môže zdeformovať a ovplyvní sa tým jej funkcia.
- Na markízu nevesajte žiadne predmety, ani na prednú clonu, ani na ramená markízy.
- V blízkosti markízy nepoužívajte žiadne spreje (napr. repelent, lak na vlasy). Tkanina markízy sa tým znečistí alebo sa tým môže stratiť vodoodpudivý efekt tkaniny markízy.
- Ak po namontovaní markízy nezostane nad dverami dostatočný voľný priestor, musia dvere zostať počas rozťahovania a zaťahovania markízy zatvorené, aby sa predišlo kontaktu dverí s ramenami alebo vodiacou lištou.
Potrebné voľné miesto závisí od konštrukčného typu dverí (šírka dverí, otváracie alebo posuvné dvere), ako aj od nastaveného uhla sklonu markízy.

3 Rozsah dodávky

Počet	Opis
1	Markíza
1	Ručná kľúka (len markízy bez motora)
1	Napínacia tyč (len pre markízy s dĺžkou viac ako 4 m)
1	Diaľkové ovládanie (iba model PW1500/PW1750, voliteľné)
1	Vypínač markízy (iba modely PW1500/PW1750, voliteľný)
4	Zaistovacie kolíky
1	Návod na obsluhu
1	Návod na montáž

4 Príslušenstvo

Dostupné ako príslušenstvo (nie je súčasťou dodávky):

Opis
TieDown Kit Popruhy na napnutie markízy
Kempingový prístrešok CampRoom Predný panel a bočné strany prístrešku pre rôzne modely s opornými nohami rôznych veľkostí
Ochrana proti dažďu RainProtect Predný panel a bočné strany dostupné v rôznych veľkostiach
Ochrana pred slnkom SunProtect Predný panel a bočné strany dostupné v rôznych veľkostiach
Roleta+ (nie je model PW1750) Žalúzia
Osvetľovacia súprava Dometic Light LK120 Súprava LED osvetlenia s diaľkovým ovládaním pre montáž na ramená markízy
Svetelná lišta LED LightStrip LED lišta dostupné v rôznych dĺžkach pre montáž na spodnú stranu markízy

Opis

LED profil

LED osvetlenie dostupné v rôznych dĺžkach pre montáž na spodnú stranu markízy montovanej na stenu

Čistič markíz

Špeciálny čistič markíz

Repair Kit

Záplata na opravu markízy

5 Používanie v súlade s určením

Markízy PerfectWall PW1000, PW1500 a PW1750 sú vhodné pre montáž na obytné vozidlá alebo karavany.

Markízy sa smú používať len počas státia.

Tento výrobok je vhodný iba na použitie na určený účel a použitie v súlade s týmto návodom.

Tento návod obsahuje informácie, ktoré sú nevyhnutné pre správnu inštaláciu a/alebo obsluhu výrobku. Chybná inštalácia a/alebo nesprávna obsluha či údržba bude mať za následok neuspokojivý výkon a možnú poruchu.

Výrobca nenesie žiadnu zodpovednosť za akékoľvek poranenia či škody na výrobku spôsobené:

- nesprávnou montážou alebo pripojením vrátane nadmerného napätia
- nesprávnou údržbou alebo použitím iných ako originálnych náhradných dielov poskytnutých výrobcom
- Zmeny produktu bez výslovného povolenia výrobcu
- Použitie na iné účely než na účely opísané v návode

Firma Dometic si vyhradzuje právo na zmenu vzhľadu a technických parametrov výrobku.

6 Technický opis

PerfectWall PW1000, PW1500 a PW1750 sú markízy, ktoré sa dajú vysunúť a zasunúť pomocou ručnej kľúky.

Markízy PerfectWall PW1500 a PW1750 sa dajú voliteľne vysúvať a zasúvať pomocou 12 V motora, ktorý sa ovláda vypínačom alebo diaľkovým ovládaním.

Markíza sa zaistí podperami na stenu vozidla alebo na podlahu.

Markíza PW1750 disponuje žalúziou integrovanou do vodiacej lišty a môže sa vytiahnuť na ochranu pred dažďom alebo slnkom.

Ovládacie prvky diaľkového ovládanie (iba modely PW1500/PW1750, voliteľné)

Č. na obr. 1, strane 3	Opis
1	Zatiahnutie markízy
2	Stop
3	Roztiahnutie markízy
4	Zapnutie/vypnutie LED osvetlenia (príslušenstvo)

Ovládacie prvky vypínača (iba modely PW1500/PW1750, voliteľné)

Č. na obr. 1, strane 3	Opis
1	Zatiahnutie markízy
2	Stop
3	Roztiahnutie markízy

7 Ovládanie markízy

Dodržujte bezpečnostné pokyny v kap. „Bezpečnostné pokyny“ na strane 261.

7.1 Upozornenia týkajúce sa miesta odstavenia vozidla



POZOR!

- Obytné vozidlo alebo karavan odstavte tak, aby sa na tkaninu markízy nemohli dostať žiadne nečistoty (konáre, listy alebo podobné).
- Markízu udržiavajte v čistote, aby ste zabránili vytvoreniu odretých miest, škvŕn a plesní.

7.2 Roztiahnutie markízy

Roztiahnutie markízy pomocou ručnej kľuky



VÝSTRAHA! Nebezpečenstvo poranenia.

Dodržiavajte dostatočnú vzdialenosť od predmetov alebo iných vozidiel. Po roztiahnutí musí byť okolo markízy minimálna vzdialenosť od iných predmetov alebo vozidiel 40 cm.

- Upnite ručnú kľuku do držiaka v markíze (obr. **2**, strane 3).
- Otáčajte ručnú kľuku, pokým sa markíza neroztiahne o približne 1,5 m (obr. **3**, strane 4).
- Nasuňte pravú podperu úplne do prednej clony, aby ste sa mohli voľne pohybovať (obr. **5**, strane 5).
- Otočte pravú podperu do strany (obr. **5**, strane 5).
- Pravú podperu sklopte nadol a postavte ju na zem (obr. **6**, strane 5).
- Nastavte podperu na želanú výšku (obr. **7**, strane 6).
- Páku podpery sklopte smerom nahor, aby ste podpery zafixovali (obr. **8**, strane 6).
- Druhú podperu zasuňte rovnakým spôsobom.
- Otáčajte ručnú kľuku, pokým nebude markíza roztiahnutá do želanej polohy. Umiestnite podpery zvislo a dozadu pod vodiacu koľajnku každých 30 cm tak, aby markíza bola neustále zaistená.
- Otočte ručnú kľuku o približne 1/4 otáčky späť, aby sa tkanina napla.



POZOR! Nebezpečenstvo poškodenia.

Tkanina markízy nesmie na okrajoch previsať, ale musí byť vždy napnutá. Keď tkanina previsa, môže dochádzať k jej treniu o ramená a k jej následnému poškodeniu.

V prípade dlhých markíz môže tkanina previsať v strede.

- ▶ Odopnite ručnú kľuku z upnutia markízy.

Roztiahnutie markízy pomocou 12 V motora (iba modely PW1500/PW1750, voliteľné)



VÝSTRAHA! Nebezpečenstvo poranenia.


Dodržiavajte dostatočnú vzdialenosť od predmetov alebo iných vozidiel. Po roztiahnutí musí byť okolo markízy minimálna vzdialenosť od iných predmetov alebo vozidiel 40 cm.





POZNÁMKA

Iba na obsluhu pomocou diaľkového ovládania:

- Keď je vozidlo naštartované, markíza sa zaťahuje automaticky. Keď sa vozidlo pohybuje, markíza je zablokovaná a nedá sa roztiahnuť.
- Prijímač pri zapnutí jedenkrát pípne.
- Použitie diaľkového ovládania môže byť rušené, aby sa v blízkosti používa iné zariadenie na rovnakej frekvencii.
- Počas jazdy odložte diaľkové ovládanie na bezpečné miesto. Magnet v držiaku nie je navrhnutý pre silné vibrácie, ako napríklad náhle brzdenie.

- ▶ Stlačte tlačidlo  vypínača alebo diaľkového ovládania, kým sa markíza neroztiahne na 1,5 metra (obr. **4**, strane 4).
- ▶ Nasuňte pravú podperu úplne do prednej clony, aby ste sa mohli voľne pohybovať (obr. **5**, strane 5).
- ▶ Otočte pravú podperu do strany (obr. **5**, strane 5).
- ▶ Pravú podperu sklopte nadol a postavte ju na zem (obr. **6**, strane 5).
- ▶ Nastavte podperu na želanú výšku (obr. **7**, strane 6).
- ▶ Páku podpery sklopte smerom nahor, aby ste podpery zafixovali (obr. **8**, strane 6).
- ▶ Druhú podperu zasuňte rovnakým spôsobom.

- ▶ Stlačte tlačidlo  vypínača alebo diaľkového ovládania, kým sa markíza neroztiahne do požadovanej polohy. Umiestnite podpery zvislo a dozadu pod vodiacu koľajnicu každých 30 cm tak, aby markíza bola neustále zaistená.
- ▶ Stlačte tlačidlo  vypínača alebo diaľkového ovládania, kým sa markíza neroztiahne tak, že sa tkanina napne.



POZOR! Nebezpečenstvo poškodenia.

Tkanina markízy nesmie na okrajoch previsať, ale musí byť vždy napnutá. Keď tkanina previsa, môže dochádzať k jej treniu o ramená a k jej následnému poškodeniu.

V prípade dlhých markíz môže tkanina previsať v strede.

Montáž podpery na zem



VÝSTRAHA! Nebezpečenstvo poranenia

- Podperu montujte výlučne na pevný podklad.
- Podperu zaistite proti zošmyknutiu.

- ▶ Postavte podpery zvislo pod vodiacu koľajnicu.
- ▶ Zaistite podpery zaistovovacími kolíkmi (obr. **9**, strane 6).
- ▶ Jednu podperu nastavte o niečo nižšie, aby vodiaca koľajnica bola v mierne šikmej polohe. To umožní jednoduchšie odtekanie dažďa (obr. **10**, strane 6).

Upevnenie podpier na vozidle

Markízu môžete upevniť aj priamo na vozidlo, ak ste namontovali aretácie pre podpery.

- ▶ Posuňte kryt aretácie smerom nahor (obr. **11**, strane 7).
- ▶ Zaveste podpery do aretácie (obr. **11**, strane 7).
- ▶ Posuňte kryt aretácie smerom nadol (obr. **11**, strane 7).
- ▶ Jednu podperu nastavte o niečo nižšie, aby vodiaca koľajnica bola v mierne šikmej polohe. To umožní jednoduchšie odtekanie dažďa (obr. **12**, strane 7).

Montáž napínacej tyče (obr. 13, strane 7)

V prípade markíz s dĺžkou 4 metre alebo viac, sa musí do stredu markízy upevniť napínacia tyč. Tým sa zabráni tomu, aby markíza prevísala.

- Zasunutím zložte napínaciu tyč.
- Zaczvaknite horný koniec napínacej tyče do upnutia na telese.
- Zaczvaknite druhý koniec napínacej tyče do upnutia na vodiacej lište.

7.3 Zatiahnutie markízy



POZOR!

- Markízu zaťahujte len vtedy, keď sa na jej tkanine nenachádzajú žiadne nečistoty (konáre, listy alebo pod.). V opačnom prípade sa markíza pri zaťahovaní môže poškodiť.
- Markízu udržiavajte v čistote, aby ste zabránili vytvoreniu odretých miest, škvŕn a plesní.
- Pri zasúvaní markízy dbajte na to, aby ste nezachytili žiadne konáre alebo iné predmety.

- Odstráňte nečistoty (konáre, listy a podobné), ktoré ležia na tkanine.
- Uvoľnite upevnenie podpier (zaist'ovacie kolíky alebo západky na vozidle).

Zatiahnutie markízy pomocou ručnej kľuky

- Zaczvaknite horný koniec ručnej kľuky do upnutia markízy.
- Otáčajte ručnú kľuku, pokým sa markíza neroztiahne približne o 1,5 m. Umiestnite podpery zvislo a dozadu pod vodiacu koľajnicu každých 30 cm tak, aby markíza bola neustále zaistená.
- Páku pravej podpery sklopte smerom nadol, aby ste podperu uvoľnili.
- Podpery úplne zasuňte do seba.
- Pravú podperu vyklopte smerom nahor.
- Otočte pravú podperu do vodiacej koľajnice.
- Spodnú časť pravej podpery nasuňte do aretácie vodiacej koľajnice.
- Druhú podperu stiahnite rovnakým spôsobom.
- Otáčajte ručnú kľuku, pokým nebude markíza úplne zatiahnutá.



- ▶ Pred začatím jazdy s vozidlom sa presvedčte o tom, že je markíza úplne zatiahnutá. Vodiaca koľajnica musí tesne priliehať k telesu.
- ▶ Odopnite ručnú kľuku z upnutia markízy.



POZOR! Nebezpečenstvo poškodenia.

Ak zatiahnete mokrú markízu, pri najbližšej príležitosti ju rozťahnite a nechajte tkaninu vyschnúť. Keď vlhká tkanina zostane dlhší čas zrolovaná, môže sa na nej vytvoriť plesen a farby môžu vyblednúť.

Zatiahnutie markízy pomocou 12 V motora (iba modely PW1500/PW1750, voliteľné)

- ▶ Stlačte tlačidlo  vypínača alebo diaľkového ovládania, kým sa markíza neroztiahne na 1,5 metra. Umiestnite podpery zvislo a dozadu pod vodiacu koľajnicu každých 30 cm tak, aby markíza bola neustále zaistená.
- ▶ Páku pravej podpery sklopte smerom nadol, aby ste podperu uvoľnili.
- ▶ Podpery úplne zasunúť do seba.
- ▶ Pravú podperu vyklopte smerom nahor.
- ▶ Otočte pravú podperu do vodiacej koľajnice.
- ▶ Spodnú časť pravej podpery nasuňte do aretácie vodiacej koľajnice.
- ▶ Druhú podperu stiahnite rovnakým spôsobom.
- ▶ Stlačte tlačidlo  vypínača alebo diaľkového ovládania, kým sa markíza úplne nezatiahne.
- ▶ Pred začatím jazdy s vozidlom sa presvedčte o tom, že je markíza úplne zatiahnutá. Vodiaca koľajnica musí tesne priliehať k telesu.



POZOR! Nebezpečenstvo poškodenia.

Ak zatiahnete mokrú markízu, pri najbližšej príležitosti ju rozťahnite a nechajte tkaninu vyschnúť. Keď vlhká tkanina zostane dlhší čas zrolovaná, môže sa na nej vytvoriť plesen a farby môžu vyblednúť.

7.4 Rozvinutie žalúzie (iba model PW1750)

- ▶ Otvorte zaistenie v strede vodiacej koľajnice (obr. **14**, strane 8).
- ▶ Zasuňte držiaky vpravo a vľavo do koľajnice žalúzie (obr. **15**, strane 8).
- ▶ Preved'te napínacie pásy alebo šnúry cez očká držiakov (obr. **15**, strane 8).
- ▶ Potiahnite žalúziu oboma rukami na koľajnici rovnomerne nadol (obr. **16**, strane 8).
Maximálna výška vytiahnutia je 1,2 m.
- ▶ Upevnite držiaky vpravo a vľavo na podperách (obr. **17**, strane 9).
alebo
- ▶ Upevnite šnúry zaistovacími kolíkmi (obr. **18**, strane 9).

7.5 Zvinutie žalúzie (iba model PW1750)

- ▶ Uvoľnite upevnenia žalúzie.
- ▶ Potiahnite žalúziu smerom nadol (obr. **19**, strane 9).
- ✓ Žalúzia sa zatiahne samočinne do vodiacej koľajnice.
- ▶ Vytiahnite držiaky vpravo a vľavo z koľajnice (obr. **20**, strane 10).
- ▶ Zablokujte zaistenie v strede vodiacej koľajnice (obr. **21**, strane 10).



POZOR! Nebezpečenstvo poškodenia.

Ak sa roleta zatiahla v mokrom stave, pri najbližšej príležitosti ju opäť vytiahnite a tkaninu nechajte vysušiť. Keď vlhká tkanina zostane dlhší čas zrolovaná, môže sa na nej vytvoriť pleseň a farby môžu vyblednúť.

7.6 Nastavenie 12 V motora (iba modely PW1500/PW1750, voliteľné)



POZNÁMKA

12 V motor je predmontovaný v navíjacom hriadelí poťahovej tkaniny.

- ▶ Pokiaľ markízu nie je ďalej možné úplne zvinúť alebo rozvinúť, potom nastavte 12 V motor (obr. **22**, strane 10).

7.7 Výmena batérií diaľkového ovládania a nástenného vypínača (iba modely PW1500/PW1750, voliteľné)



POZNÁMKA

Ak sa LED diaľkového ovládania **nerozsvieti** po stlačení niektorého z tlačidiel, batéria diaľkového ovládania je vybitá.

- ▶ Otvorte kryt (obr. **23** 1, strane 11).
- ▶ Vyberte starú batériu z držiaka.
- ▶ Vložte novú batériu (typ CR2450 pre diaľkové ovládanie, typ CR2430 pre nástenný vypínač, obr. **23** 2, strane 11) do držiaka s kladnými pólmi smerom nahor.
- ▶ Zmontujte diaľkové ovládanie alebo nástenný vypínač.



Chrňte životné prostredie!

Akumulátory a batérie nepatria do domového odpadu.

Poškodené akumulátory alebo spotrebované batérie odovzdajte priamo u predajcu alebo v zbernom mieste.

8 Čistenie a údržba

8.1 Čistenie

**POZOR! Nebezpečenstvo poškodenia.**

- Markízu **nikdy** nečistite vysokotlakovým čističom.
- Na čistenie nepoužívajte žiadne ostré čistiace prostriedky alebo tvrdé predmety, pretože tieto by mohli produkt poškodiť.

- ▶ Odstráňte akékoľvek nečistoty (konáre, listy a podobne), ktoré ležia na tkanine, aby ste zabránili vytvoreniu odretých miest, škvrn a plesní. Okrem toho sa markíza môže poškodiť, keď ju budete zaťahovať.
- ▶ Pravidelne čistite tkaninu markízy, aby ste odstránili prach a nečistoty:
 - K tomu použite vodu s 30 ml čistiaceho prostriedku a 30 ml bielidla na 10 l vody.
 - Tkaninu týmto roztokom navlhčite a tento čistiaci roztok nechajte päť minút pôsobiť.
 - Následne markízu dôkladne opláchnite čistou vodou. Uistite sa, že je čistiaci roztok s bielidlom kompletne opláchnutý. V opačnom prípade sa môže tkanina poškodiť.
 - Tkaninu nechajte úplne vyschnúť.

**POZNÁMKA**

Výrobca odporúča:

Na čistenie handry používajte čistič markízy Dometic (č. výrobku 9600000165, dostupný u vášho servisného partnera).

8.2 Mazanie

- ▶ V prípade potreby namažte kĺby markízy parafínovým voskom, teflónovým alebo silikónovým olejom.

8.3 Kontrola



VÝSTRAHA!

Markízu nepoužívajte, ak sú potrebné nastavenia alebo opravy. Ak zistíte poškodenia, obráťte sa na servisného partnera v príslušnej krajine (adresy nájdete na zadnej strane návodu).



POZNÁMKA

Príslušenstvo Dometic, ako napríklad tesniace spoje alebo penové pásiky podliehajú opotrebovaniu vplyvom prostredia. Neznamená to však slabú kvalitu. Na zaručenie funkčnosti týchto častí spoločnosť Dometic odporúča výmenu gumových tesnení a penových pásikov každých 5 rokov.

- ▶ Markízu pravidelne kontrolujte na nevyváženosť a opotrebovanie, ako aj na poškodenia kritických častí.
- ▶ Markízu pravidelne kontrolujte:
 - Je tkanina bez poškodení?
 - Sú ramená a vodiaca koľajnica bez poškodenia a bez stôp opotrebovania?
 - Zaťahuje sa markíza správne?

8.4 Dotiahnutie skrutiek kĺbu ramena

Skrutky na kĺbe ramena sa musia dotiahnuť po prvých zaťaženiach:

- po prvej dovolenke s využitím markízy
- po najazdení 20000 km alebo šiestich mesiacoch po montáži markízy (podľa toho, čo nastane skôr)

Okrem toho sa musia skrutky na kĺbe ramena skontrolovať pri pravidelnej kontrole vozidla.

S dotiahnutím skrutiek sa obráťte na vášho servisného partnera.

Pokyny pre údržbu (obr. 24, strane 11)



POZOR!

Ramená markízy nesmú byť zaťažené, aby sa ťahovací moment skrutiek dal presne dodržať.

- ▶ Vodiacu koľajnicu mierne nadvihnite, aby bol kĺb bez zaťaženia.
- ▶ Skrutky dotiahnite ťahovacím momentom 15 – 25 Nm.

8.5 Zaplátanie malých dier v tkanine

Malé diery v tkanine alebo miesta, na ktorých sa odliepa povrchová vrstva, môžete zaplátať svojpomocne:



- ▶ Bavlnenou tkaninou rozotrite okolo poškodeného miesta mierne tekutú vinylovú záplatu (č. výrobku 9103104018, k dispozícii u vášho servisného partnera).
- ✓ Tekutá vinylová záplata narúša povrchovú vrstvu. Povrchová vrstva uzatvorí diery po vyschnutí.
- ▶ Pred zatiahnutím markízy počkajte, pokým nebude opravované miesto suché.

9 Odstraňovanie porúch



POZNÁMKA

Ak nedokážete opraviť chybu s pomocou nasledujúcej tabuľky, kontaktujte príslušného servisného partnera vo vašej krajine (adresy nájdete na zadnej strane návodu).

Porucha	Možná príčina	Návrh riešenia
Iba modely PW1500/PW1750: Motor nereaguje na diaľkové ovládanie.	Batéria diaľkového ovládania je vybitá.	Krátko stlačte jedno z tlačidiel,  alebo  . Ak sa LED diaľkového ovládania nerozsvieti, batéria je vybitá. Výmenu batériu nájdete v kap. „Výmena batérií diaľkového ovládania a nástenného vypínača (iba modely PW1500/PW1750, voliteľné)“ na strane 273.
	Diaľkové ovládanie už nie je nastavené na motor alebo nie je správne nastavené.	Preprogramujte diaľkové ovládanie, pozri návod na montáž.
	Žiadne napájanie prídom	Skontrolujte elektrické spojenia.
	Motor napätia je chybný.	Zatiahnite markízu ručne a kontaktujte servisného partnera v danej krajine.

10 Záruka

Platí zákonom stanovená záručná lehota. Ak je výrobok poškodený, obráťte sa na svojho predajcu alebo pobočku výrobcu vo svojej krajine (pozri dometic.com/dealer).

Ak žiadate o vybavenie opravy alebo nárokov vyplývajúcich zo záruky, musíte priložiť nasledovné podklady:

- kópiu faktúry s dátumom kúpy,
- dôvod reklamácie alebo opis chyby.

11 Likvidácia

- Obalový materiál podľa možnosti odovzdajte do príslušného odpadu na recykláciu.



Keď výrobok definitívne vyradíte z prevádzky, informujte sa v najbližšom recyklačnom stredisku alebo u vášho špecializovaného predajcu o príslušných predpisoch týkajúcich sa likvidácie.


12 Technické údaje

PerfectWall PW1000					
Šírka:	2,6 m	3 m	3,5 m	4 m	4,5 m
Vovytiahnutom stave:	2 m	2,5 m			
Hmotnosť:	18,6 kg	21 kg	24 kg	27 kg	30 kg

PerfectWall PW1500				
Šírka:	1,5 m	2,6 m	3 m	3,5 m
Vovytiahnutom stave:	1 m	2 m	2,5 m	2,5 m / 2,75 m
Hmotnosť:	12 kg	18 kg	21 kg	24 kg

PerfectWall PW1500				
Šírka:	4 m	4,5 m	5 m	5,5 m
Vovytiahnutom stave:	2,5 m / 2,75 m			
Hmotnosť:	27 kg	30 kg	33 kg	36 kg

PerfectWall PW1750			
Šírka:	3 m	3,5 m	4 m
Vovytiahnutom stave:	2,5 m		
Hmotnosť:	26 kg	30 kg	33 kg

12 V motor (iba modely PW1500 a PW1750)	
Pripájacie napätie:	12 V _{DC} (11 – 15 V)
Intenzita prúdu:	7 A
Výstupný výkon:	84 W
Krútiaci moment:	35 Nm
Skúška/certifikát:	

Pečlivě si prosím přečtěte a dodržujte všechny pokyny, směrnice a varování obsažené v tomto návodu k výrobku, abyste měli jistotu, že výrobek budete vždy správně instalovat, používat a udržovat. Tyto pokyny MUSÍ být uchovávány v blízkosti výrobku.

Používáním výrobku tímto potvrzujete, že jste si pečlivě přečetli všechny pokyny, směrnice a varování a že rozumíte podmínkám uvedeným v tomto dokumentu a souhlasíte s nimi. Souhlasíte s používáním tohoto výrobku pouze k určenému účelu a použití a v souladu s pokyny, směrnicemi a varováními uvedenými v tomto návodu k výrobku a v souladu se všemi příslušnými zákony a předpisy. Pokud si nepřečtete a nebudete dodržovat zde uvedené pokyny a varování, může to vést ke zranění vás i ostatních, poškození vašeho výrobku nebo poškození jiného majetku v okolí. Tento návod k výrobku, včetně pokynů, směrnic a varování a související dokumentace může být předmětem změn a aktualizací. Aktuální informace o výrobku naleznete na stránkách dometic.com.



VÝSTRAHA!

- Před použitím, čištěním a provedením údržby si musíte přečíst tento návod a porozumět jeho obsahu.
- Výrobek musí instalovat odborník. Následkem nesprávné montáže může dojít k vážným úrazům. Provedení přestaveb výrobku může být mimořádně nebezpečné a může mít za následek vážné úrazy nebo poškození přístroje.
- Tento návod musí zůstat u výrobku. Majitel si jej musí pozorně přečíst.

Obsah

1	Vysvětlení symbolů	280
2	Bezpečnostní pokyny	280
3	Obsah dodávky	283
4	Příslušenství	283
5	Použití v souladu s účelem	284
6	Technický popis	285
7	Obsluha markýzy	286
7.1	Pokyny k výběru stání vozidla	286
7.2	Vysunutí markýzy	286
7.3	Zasunutí markýzy	289
7.4	Odvíjení rolety (pouze PW1750)	291
7.5	Odvíjení rolety (pouze PW1750)	291
7.6	Nastavení 12 V pohonu (pouze PW1500/PW1750, volitelně) ...	292
7.7	Výměna baterií dálkového ovladače a stěnového spínače (pouze PW1500/PW1750, volitelně)	292
8	Čištění a péče	293
8.1	Čištění	293
8.2	Mazání	293
8.3	Kontrola	293
8.4	Dotazení šroubů zadních kloubových závěsů	294

8.5	Vyspravení drobných trhlin v plachtě	295
9	Odstraňování poruch a závad	295
10	Odpovědnost za vady	296
11	Likvidace	296
12	Technické údaje	297

1 Vysvětlení symbolů



VÝSTRAHA!

Bezpečnostní upozornění na nebezpečnou situaci, která může vést k úmrtí nebo těžkému poranění osob, pokud se jí nevyhnete.



POZOR!

Upozornění na situaci, která může vést k poškození majetku, pokud se jí nevyhnete.



POZNÁMKA

Doplňující informace týkající se obsluhy výrobku.

2 Bezpečnostní pokyny

Dodržujte předepsané bezpečnostní pokyny a předpisy vydané výrobcem vozidla a autoservisem.



VÝSTRAHA! Nedodržení těchto varování by mohlo mít za následek smrt nebo vážné zranění.

Nebezpečí ohrožení zdraví

- Před zahájením jízdy zkontrolujte, zda je markýza kompletně zasunutá. Pokud je markýza vysunutá, nikdy nepojíždějte vozidlem.
- Nikdy nejezděte se zasunutou klikou. Před zahájením jízdy kliku sundejte.

- Nejezděte s vozidlem, pokud je plachta poškozená nebo natržená, i když je markýza řádně zasunuta! Plachta drží ramena markýzy. Pokud se plachta za jízdy roztrhne, markýza se náhle vysune. Může dojít k vážným úrazům. Zajistěte markýzu tak, aby se nemohla za jízdy náhle a nečekaně vysunout.
- Markýzu **nevysunujte** za jízdy.
- Dávejte pozor, aby se na plachtě nehromadila voda nebo sníh. V opačném případě může dojít k poškození markýzy nebo ke zlomení ramen markýzy s následným vážným nebo smrtelným úrazem.
- Za následujících okolností se nepřibližujte k markýze:
 - markýza zůstala za silného větru vysunutá,
 - na markýze se vytvořily kaluže vody,
 - došlo k nahromadění sněhu,
 - na plátně markýzy je velké množství hrubých nečistot.Markýza se může náhle nečekaně pohnout, může být nestabilní a ohnout se nebo zlomit.
- Tento přístroj mohou používat děti od 8 let a osoby se sníženými fyzickými, smyslovými nebo duševními schopnostmi nebo s nedostatečnými zkušenostmi a znalostmi, pokud jsou pod dohledem nebo obdržely pokyny týkající se používání přístroje bezpečným způsobem a porozuměly souvisejícím nebezpečím.
- Děti musejí být pod dohledem tak, aby si se zařízením nehrály.

Nebezpečí usmrcení elektrickým proudem

- **Volitelné pro PW1500/PW1750:** Pokud je připojovací kabel markýzy poškozen, musí být nahrazen odborníkem.
- **Volitelné pro PW1500/PW1750:** Před čištěním vozidla v blízkosti markýzy nebo samotné markýzy odpojte napájení pomocí vypínače.
- **Volitelné pro PW1500/PW1750: Elektrické přístroje nejsou hračky pro děti!**
Dálkový ovladač uchovávejte tak, aby k němu neměly přístup děti. Zabraňte dětem, aby si hrály se stěnovým spínačem (příslušenství).



UPOZORNĚNÍ! Nedodržení těchto upozornění by mohlo mít za následek lehké nebo střední zranění.

Nebezpečí ohrožení zdraví

- **Nevysunujte** markýzu za silného větru nebo sněžení.
- Pokud očekáváte silný vítr, déšť nebo sněžení, markýzu zasuňte.
- Nenechávejte vysunutou markýzu bez dozoru. Dříve, než opustíte své stání, musíte markýzu zasunout.

- Při grilování pamatujte na dostatečnou vzdálenost markýzy od otevřeného ohně. Může dojít k poškození plachty vysokou teplotou nebo k jejímu požáru.
- Během provozu markýzy se nedotýkejte pohyblivých částí. Hrozí riziko poranění pohyblivými částmi.
- **Volitelné pro PW1500/PW1750:** Markýzu ovládejte, pouze pokud výrobek vidíte přímo zvenčí



POZOR! Nebezpečí poškození

- Zaparkujte obytný vůz nebo karavan tak, aby nemohlo dojít ke znečištění plachty (větve, listy apod.).
- Plachta markýzy nesmí být na okrajích prověšená, musí být vždy napnutá. V případě, že je plachta prověšená, může dřít o ramena a může dojít k jejímu poškození.
V případě dlouhých markýz může být plachta uprostřed prověšená.
- Markýzu smíte složit pouze za předpokladu, že na plachtě nejsou žádné nečistoty (větve, listy apod.). V opačném případě může dojít při zasouvání markýzy k jejímu poškození.
- Chraňte markýzu před nečistotami, prodřením, skvrnami a plísněmi.
- Mokrou markýzu zasouvejte pouze z bezpečnostních důvodů. Jakmile je to opět možné, ihned ji vysuňte. V opačném případě se mohou vytvořit skvrny nebo plísně, nebo může dojít k vyblednutí barvy.
- Nikdy neohýbejte ramena markýzy nebo clonu dolů k tomu, abyste nechali z markýzy odtéct vodu. Může dojít ke zdeformování markýzy a nepříznivému ovlivnění její funkce.
- Nevěšete na markýzu, na čelní clonu ani na ramena markýzy žádné předměty.
- Nepoužívejte v blízkosti markýzy žádné spreje (např. repelenty, tužidla na vlasy apod.). Následkem je znečištění plachty nebo ztráta její impregnace.
- Pokud po montáži markýzy není nad dveřmi dostatečný volný prostor, musejí dveře během zasouvání nebo vysouvání zůstat zavřené, aby se zabránilo kontaktu dveří s rameny nebo hlavní lištou.
Požadovaný volný prostor závisí na typu dveří (šířka dveří, otočné nebo výsuvné dveře) a nastaveném úhlu sklonu markýzy.

3 Obsah dodávky

Počet	Popis
1	Markýza
1	Klika (pouze markýzy bez pohonu)
1	Napínací rozpěra (pouze u markýz o délce od 4 m)
1	Dálkový ovladač (pouze PW1500/PW1750, volitelně)
1	Spínač markýzy (pouze PW1500/PW1750, volitelně)
4	Kolíky
1	Návod k obsluze
1	Návod k montáži

4 Příslušenství

Dostupné jako příslušenství (není součástí dodávky):

Popis
TieDown Kit Popruhy k napnutí markýzy
CampRoom Čelní panel předstanu markýzy a strany pro různé modely s podpěrnými nohama různých velikostí
RainProtect Čelní panel a strany dostupné v různých velikostech
SunProtect Čelní panel a strany dostupné v různých velikostech
Rollo+ (ne pro PW1750) Roleta
Dometic Light LK120 Sada osvětlení LED s dálkovým ovladačem k montáži na ramena markýzy
LED LightStrip LED pásek k dispozici v různých délkách pro instalaci na spodní stranu markýzy

Popis

Profil Led

LED osvětlení k dispozici v různých délkách pro instalaci na spodní stranu markýzy montované na stěnu

Prostředek k čištění markýz

Speciální prostředek k čištění markýz

Repair Kit

Záplata na opravu markýzy

5 Použití v souladu s účelem

Markýzy PerfectWall PW1000, PW1500 a PW1750 jsou vhodné pro montáž na obytné vozy nebo karavany.

Markýzy používejte pouze na zaparkovaném vozidle.

Tento výrobek je vhodný pouze k určenému účelu a použití v souladu s tímto návodem.

Tento návod poskytuje informace, které jsou nezbytné pro řádnou instalaci a/nebo provoz výrobku. Nedostatečná instalace a/nebo nesprávný provoz či údržba povedou k neuspokojivému výkonu a možné závadě.

Výrobce nepřijímá žádnou odpovědnost za jakékoli zranění nebo poškození výrobku vyplývající z následujícího:

- Nesprávné sestavení nebo připojení včetně nadměrného napětí
- Nesprávná údržba nebo použití jiných náhradních dílů než původních dílů dodaných výrobcem
- Změna výrobku bez výslovného souhlasu výrobce
- Použití k jiným účelům, než jsou popsány v tomto návodu

Společnost Dometic si vyhrazuje právo změnit vzhled a specifikace výrobku.

6 Technický popis

PerfectWall PW1000, PW1500 a PW1750 jsou markýzy, které můžete zasouvat a vysouvat pomocí ruční kliky.

Markýzy PerfectWall PW1500 a PW1750 mohou být volitelně také vysouvány a zasouvány 12 V pohonem, který je ovládán spínačem nebo dálkovým ovladačem.

Markýza je zajištěna opěrami opřenými o stěnu vozidla nebo o zem.

Markýza PW1750 je opatřena roletou integrovanou do hlavní lišty, která může být vytažena z důvodu ochrany proti dešti nebo slunci.

Ovládací prvky dálkového ovladače (pouze PW1500/PW1750, volitelně)

Č. na obr. 1 , strana 3	Popis
1	Zasunutí markýzy
2	Stop
3	Vysunutí markýzy
4	Zapnutí/vypnutí osvětlení LED (příslušenství)

Ovládací prvky spínače (pouze PW1500/PW1750, volitelně)

Č. na obr. 1 , strana 3	Popis
1	Zasunutí markýzy
2	Stop
3	Vysunutí markýzy

7 Obsluha markýzy

Pozornost věnujte bezpečnostním pokynům v kap. „Bezpečnostní pokyny“ na straně 280.

7.1 Pokyny k výběru stání vozidla

**POZOR!**

- Zaparkujte vozidlo tak, aby nemohlo dojít ke znečištění plachty (větve, listy apod.).
- Chraňte markýzu před nečistotami, prodřením, skvrnami a plísněmi.

7.2 Vysunutí markýzy

Vysunutí markýzy ruční klikou

**VÝSTRAHA! Nebezpečí úrazu.**

Pamatujte na dostatečnou vzdálenost od předmětů a jiných vozidel. Po vysunutí musí zůstat v okolí od ostatních předmětů nebo vozidel minimální vzdálenost 40 cm.

- Upevněte kliku do vybrání v markýze (obr. **2**, strana 3).
- Otáčejte klikou, dokud markýzu nevyusunete zhruba na vzdálenost 1,5 m (obr. **3**, strana 4).
- Zasuňte pravou opěru v čelním krytu kompletně tak, abyste se mohli volně pohybovat (obr. **5**, strana 5).
- Vychylte pravou opěru do strany (obr. **5**, strana 5).
- Vyklopte pravou opěru dolů stranou a postavte ji na zem (obr. **6**, strana 5).
- Nastavte požadovanou výšku opěry (obr. **7**, strana 6).
- Vyklopte páku opěry nahoru tak, abyste opěru zajistili (obr. **8**, strana 6).
- Druhou opěru vysuňte stejným způsobem.
- Otáčejte klikou, dokud markýzu nevyusunete do požadované polohy. Postavte opěry opět visle ve vzdálenosti každých 30 cm pod hlavní lištu tak, aby byla markýza vždy bezpečně podepřena.
- Otočte ruční kliku cca o 1/4 otáčky zpět, tím vypnete plachtu.



POZOR! Pozor, aby nedošlo k poškození.

Plachta markýzy nesmí být na okrajích prověšená, musí být vždy napnutá. V případě, že je plachta prověšená, může dřít o ramena a může dojít k jejímu poškození.

V případě dlouhých markýz může být plachta uprostřed prověšená.

- Uvolněte ruční kliku z vybrání v markýze.

Vysunutí markýzy pomocí 12 V pohonu (pouze PW1500/PW1750, volitelně)



VÝSTRAHA! Nebezpečí úrazu.

Pamatujte na dostatečnou vzdálenost od předmětů a jiných vozidel. Po vysunutí musí zůstat v okolí od ostatních předmětů nebo vozidel minimální vzdálenost 40 cm.



POZNÁMKA

Pouze k ovládní dálkovým ovladačem:

- Při nastartování vozidla se markýza automaticky zatáhne. Během jízdy vozidla je markýza zablokovaná a nelze ji vysunout.
- Přijímač vydá při zapnutí jednou krátký tón.
- Provoz dálkového ovladače může být narušen poruchami rádiového spojení, pokud je v blízkosti používán jiný přístroj o stejné frekvenci.
- Dálkový ovladač uschovejte během jízdy na bezpečném místě. Magnet v držáku není určen pro silné vibrace, například náhlé brzdění.

- Stiskněte tlačítko ▽ spínače nebo dálkového ovladače, dokud markýzu nevyusunete zhruba na vzdálenost 1,5 m (obr. **4**, strana 4).
- Zasuňte pravou opěru v čelním krytu kompletně tak, abyste se mohli volně pohybovat (obr. **5**, strana 5).
- Vychylte pravou opěru do strany (obr. **5**, strana 5).
- Vyklopte pravou opěru dolů stranou a postavte ji na zem (obr. **6**, strana 5).
- Nastavte požadovanou výšku opěry (obr. **7**, strana 6).
- Vyklopte páku opěry nahoru tak, abyste opěru zajistili (obr. **8**, strana 6).
- Druhou opěru vysuňte stejným způsobem.

- ▶ Stiskněte tlačítko ▽ spínače nebo dálkového ovladače, dokud markýzu nevyusunete do požadované polohy. Postavte opěry opět svisle ve vzdálenosti každých 30 cm pod hlavní lištu tak, aby byla markýza vždy bezpečně podepřena.
- ▶ Stiskněte tlačítko ▽ na spínači nebo dálkovém ovladači, aby se markýza vysunula až do polohy napnutí plachty.



POZOR! Pozor, aby nedošlo k poškození.

Plachta markýzy nesmí být na okrajích prověšená, musí být vždy napnutá. V případě, že je plachta prověšená, může dřít o ramena a může dojít k jejímu poškození.

V případě dlouhých markýz může být plachta uprostřed prověšená.

Upevnění opěry na zemi



VÝSTRAHA! Nebezpečí úrazu!

- Opěry postavte výhradně na pevný podklad.
- Zajistěte opěry proti uklouznutí.

- ▶ Umístěte opěru svisle pod hlavní lištu.
- ▶ Zajistěte opěru pomocí kolíků (obr. **9**, strana 6).
- ▶ Jednu opěru umístěte o něco níže tak, aby hlavní lišta visela mírně šikmo. Déšť tak může přímo odtékat (obr. **10**, strana 6).

Upevnění opěr o vozidlo

Markýzu můžete upevnit přímo na vozidlo, pokud jste namontovali aretační prvky pro opěry.

- ▶ Přesuňte kryty aretace nahoru (obr. **11**, strana 7).
- ▶ Zavěste opěru do aretačního prvku (obr. **11**, strana 7).
- ▶ Přesuňte kryt aretace dolů (obr. **11**, strana 7).
- ▶ Jednu opěru umístěte o něco níže tak, aby hlavní lišta visela mírně šikmo. Déšť tak může přímo odtékat (obr. **12**, strana 7).

Montáž napínací rozpěry (obr. 13, strana 7)

V případě markýz o délce 4 metry a větších musíte doprostřed markýzy upevnit napínací rozpěru. Tím zabráníte průvěsu markýzy.

- ▶ Nasuňte napínací rozpěru dohromady.
- ▶ Umístěte horní konec napínací rozpěry do závěsu v krytu.
- ▶ Umístěte druhý konec napínací rozpěry do závěsu v hlavní liště.

7.3 Zasunutí markýzy



POZOR!

- Markýzu smíte složit pouze za předpokladu, že na plachtě nejsou žádné nečistoty (větvě, listy apod.). V opačném případě může dojít při zasouvání markýzy k jejímu poškození.
- Chraňte markýzu před nečistotami, prodřením, skvrnami a plísněmi.
- Při zasouvání markýzy pamatujte, že nesmí dojít k zachycení větví ani jiných předmětů.

- ▶ Odstraňte z plachty nečistoty (větvě, listy apod.).
- ▶ Uvolněte upevnění opěr (kolíky nebo aretaci z vozidla).

Zasunutí markýzy ruční klikou

- ▶ Umístěte horní konec ruční kliky do závěsu v markýze.
- ▶ Otáčejte klikou, dokud markýza nebude vysunuta zhruba na vzdálenost 1,5 m. Postavte opěry opět svisle ve vzdálenosti každých 30 cm pod hlavní lištu tak, aby byla markýza vždy bezpečně podepřena.
- ▶ Vyklopte páku pravé opěry dolů tak, abyste opěru uvolnili.
- ▶ Složte opěry kompletně dohromady.
- ▶ Vyklopte pravou opěru nahoru.
- ▶ Otočte pravou opěru do hlavní lišty.
- ▶ Zasuňte dolní díl pravé opěry do aretace hlavní lišty.
- ▶ Druhou opěru zasuňte stejným způsobem.
- ▶ Otáčejte ruční klikou, dokud nebude markýza kompletně zasunutá.

- ▶ Před zahájením jízdy zkontrolujte, zda je markýza kompletně zasunutá. Hlavní lišta musí těsně přiléhat ke skříni.
- ▶ Uvolněte ruční kliku z vybrání v markýze.

**POZOR! Pozor, aby nedošlo k poškození.**

Pokud zasunete vlhkou markýzu, vysuňte ji při nejbližší příležitosti znovu a nechejte plachtu vyschnout. V případě, že zůstane vlhká plachta delší dobu zasunutá, začne plesnivět a může dojít k jejímu vyblednutí.

Zasunutí markýzy pomocí 12 V pohonu (pouze PW1500/PW1750, volitelně)

- ▶ Stiskněte tlačítko \triangle spínače nebo dálkového ovladače, dokud markýzu nevyusunete pouze zhruba na vzdálenost 1,5 m. Postavte opěry opět svisle ve vzdálenosti každých 30 cm pod hlavní lištu tak, aby byla markýza vždy bezpečně podepřena.
- ▶ Vyklopte páku pravé opěry dolů tak, abyste opěru uvolnili.
- ▶ Složte opěry kompletně dohromady.
- ▶ Vyklopte pravou opěru nahoru.
- ▶ Otočte pravou opěru do hlavní lišty.
- ▶ Zasuňte dolní díl pravé opěry do aretace hlavní lišty.
- ▶ Druhou opěru zasuňte stejným způsobem.
- ▶ Stiskněte tlačítko \triangle spínače nebo dálkového ovladače, dokud markýzu zcela nezasunete.
- ▶ Před zahájením jízdy zkontrolujte, zda je markýza kompletně zasunutá. Hlavní lišta musí těsně přiléhat ke skříni.

**POZOR! Pozor, aby nedošlo k poškození.**

Pokud zasunete vlhkou markýzu, vysuňte ji při nejbližší příležitosti znovu a nechejte plachtu vyschnout. V případě, že zůstane vlhká plachta delší dobu zasunutá, začne plesnivět a může dojít k jejímu vyblednutí.

7.4 Odvíjení rolety (pouze PW1750)

- ▶ Odjistěte pojistku uprostřed hlavní lišty (obr. **14**, strana 8).
- ▶ Přesuňte držáky vpravo a vlevo do lišty rolety (obr. **15**, strana 8).
- ▶ Ved'te napínací popruhy nebo šňůry očky v držácích (obr. **15**, strana 8).
- ▶ Vytahujte roletu oběma rukama za lištu rovnoměrně směrem dolů (obr. **16**, strana 8).
Vysunutí je možné na maximálně 1,2 m.
- ▶ Upevněte držáky vpravo a vlevo do opěr (obr. **17**, strana 9).
nebo
- ▶ Zajistěte šňůry pomocí kolíků (obr. **18**, strana 9).

7.5 Odvíjení rolety (pouze PW1750)

- ▶ Povolte upevnění rolety.
- ▶ Zatáhněte roletu směrem dolů (obr. **19**, strana 9).
- ▶ Roleta se samočinně svine do hlavní lišty.
- ▶ Vytáhněte držáky vpravo a vlevo z lišty (obr. **20**, strana 10).
- ▶ Zajistěte pojistku uprostřed hlavní lišty (obr. **21**, strana 10).



POZOR! Pozor, aby nedošlo k poškození.

Pokud svinete vlhkou roletu, vysuňte ji při nejbližší možné příležitosti a nechejte plachtu vyschnout. V případě, že zůstane vlhká plachta delší dobu zasunutá, začne plesnivět a může dojít k jejímu vyblednutí.

7.6 Nastavení 12 V pohonu (pouze PW1500/PW1750, volitelně)



POZNÁMKA

12 V pohon je předem namontován v hřídeli plachty.

- ▶ Pokud se markýza již zcela nezavírá nebo neotevívá, potom nastavte 12 V pohon (obr. 22, strana 10).

7.7 Výměna baterií dálkového ovladače a stěnového spínače (pouze PW1500/PW1750, volitelně)



POZNÁMKA

Pokud se po stisknutí některého z tlačítek **nerozsvítí** LED dálkového ovladače, baterie dálkového ovladače je vybitá.

- ▶ Otevřete kryt (obr. 23 1, strana 11).
- ▶ Vyjměte starou baterii z držáku.
- ▶ Vložte novou baterii (typ CR2450 pro dálkový ovladač, typ CR2430 pro stěnový spínač, obr. 23 2, strana 11) do držáku kladnou svorkou směrem nahoru.
- ▶ Dálkový ovladač nebo stěnový spínač znovu namontujte.



Chraňte životní prostředí!

Akumulátory a baterie nepatří do domovního odpadu.

Odevzdejte vadné akumulátory nebo vybité baterie prodejci nebo na sběrném místě.

8 Čištění a péče

8.1 Čištění



POZOR! Pozor, aby nedošlo k poškození.

- **Nikdy** nečistěte markýzu vysokotlakým čističem.
- Nepoužívejte k čištění čisticí písky nebo tvrdé předměty, může dojít k poškození výrobku.

- ▶ Odstraňte jakoukoliv nečistotu (větve, listy apod.), která leží na plachtě tak, aby nedošlo k prodření, vzniku skvrn nebo plesnivění. Kromě toho se může markýza během zasouvání poškodit.
- ▶ Pravidelně čistěte plachtu markýzy a odstraňujte prach a nečistoty:
 - Používejte k tomu vodu s 30 ml pracího prostředku a 30 ml bělicího prostředku na 10 litrů vody.
 - Čistěte plachtu tímto roztokem a nechte čisticí kapalinu pět minut působit.
 - Potom plachtu řádně opláchněte čistou vodou.
 Zajistěte, aby došlo k úplnému smytí čisticí kapaliny s bělicím prostředkem. V opačném případě může dojít k poškození plachty.
 - Nechejte plachtu vyschnout.



POZNÁMKA

Výrobce doporučuje:

Používejte k praní utěrky prostředek k čištění markýz Dometic (výr. č. 9600000165, dodává servisní partner).

8.2 Mazání

- ▶ Podle potřeby namažte klouby markýzy parafínovým voskem, teflonovým nebo silikonovým olejem.

8.3 Kontrola



VÝSTRAHA!

Markýzu nepoužívejte, pokud je nutné nastavení nebo oprava.

Zjištěné škody vždy nechte opravit servisního partnera v příslušné zemi (adresy viz zadní strana návodu).

**POZNÁMKA**

Příslušenství Dometic, jako např. těsnící spoje nebo pěnové pásy, podléhají opotřebení působením okolních vlivů. To není důkazem špatné kvality. Aby byla zaručena funkce těchto dílů, Dometic doporučuje měnit pryžová těsnění a pěnové pásy jednou za 5 let.

- ▶ Pravidelně kontrolujte, zda není markýza nevyvážená nebo poškozená a opotřebovaná na kritických částech.
- ▶ Markýzu pravidelně kontrolujte:
 - Není plachta poškozená?
 - Nejsou poškozena ramena a hlavní lišta, nejsou tyto díly opotřebované?
 - Zasouvá se markýza správně?

8.4 Dotážení šroubů zadních kloubových závěsů

Po prvním zatížení musíte dotáhnout šrouby na zadním kloubovém závěsu:

- po první dovolené s markýzou
- Po 20 000 km jízdy nebo po šesti měsících po instalaci markýzy (platí podmínka, která nastane dříve)

Kromě toho kontrolujte šrouby na kloubovém závěsu při pravidelných kontrolách vozidla.

S dotažením šroubů kontaktujte svého servisního partnera.

Pokyny pro servis (obr. 24, strana 11)

**POZOR!**

Ramena markýzy musejí být nezatížená. Tím je zabráněno zkreslení utahovacího momentu šroubů.

- ▶ Mírně zvedněte hlavní lištu, aby klouby nebyly zatížené.
- ▶ Dotáhněte šrouby momentem 15 – 25 Nm.

8.5 Vyspravení drobných trhlin v plachtě

Drobné trhliny v plachtě nebo místa, na kterých se uvolňuje povrchová úprava, můžete vyspravit vlastními silami:

- ▶ Vetřete bavlněnou utěrkou kolem poškozeného místa menší množství kapalného vinylového roztoku (výr. č. 9103104018, dodává váš servisní partner).
- ▶ Kapalný vinylový roztok uvolní povrchovou úpravu. Tato povrchová úprava po vyschnutí zapraví otvor.
- ▶ Než markýzu zasunete, vyčkejte, dokud opravované místo neuschne.

9 Odstraňování poruch a závad



POZNÁMKA

Pokud nedokážete odstranit poruchu pomocí následující tabulky, obraťte se na příslušného servisního partnera ve vaší zemi (adresa viz zadní strana příručky).

Porucha	Možná příčina	Návrh řešení
Pouze PW1500/PW1750: Pohon neodpovídá na dálkový ovladač.	Baterie dálkového ovladače je plochá.	Stiskněte krátce tlačítka \triangle nebo ∇ . LED dálkového ovladače se nerozsvítí, baterie je vybitá. Vyměňte baterii, viz kap. „Výměna baterií dálkového ovladače a stěnového spínače (pouze PW1500/PW1750, volitelně)” na straně 292.
	Dálkový ovladač již není nebo není správně nastaven na pohon.	Přeprogramujte dálkový ovladač, viz návod k montáži.
	Náapjení není k dispozici	Zkontrolujte elektrické spoje.
	Pohon je vadný.	Markýzu zasuňte ručně a kontaktujte servisního partnera v příslušné zemi.

10 Odpovědnost za vady

Na výrobek je poskytována záruka v souladu s platnými zákony. Pokud je výrobek vadný, kontaktujte svého specializovaného prodejce nebo pobočku výrobce ve vaší zemi (viz dometic.com/dealer).

K vyřízení opravy nebo záruky nezapomeňte odeslat následující dokumenty:

- Kopii účtenky s datem zakoupení,
- Uvedení důvodu reklamace nebo popisu vady.

11 Likvidace

► Obalový materiál likvidujte v odpadu určeném k recyklaci.



Jakmile výrobek zcela vyřadíte z provozu, informujte se v příslušných recyklačních centrech nebo u specializovaného prodejce o příslušných předpisech o likvidaci odpadu.


12 Technické údaje

PerfectWall PW1000					
Šířka:	2,6 m	3 m	3,5 m	4 m	4,5 m
Výsuv:	2 m	2,5 m			
Hmotnost:	18,6 kg	21 kg	24 kg	27 kg	30 kg

PerfectWall PW1500				
Šířka:	1,5 m	2,6 m	3 m	3,5 m
Výsuv:	1 m	2 m	2,5 m	2,5 m / 2,75 m
Hmotnost:	12 kg	18 kg	21 kg	24 kg

PerfectWall PW1500				
Šířka:	4 m	4,5 m	5 m	5,5 m
Výsuv:	2,5 m / 2,75 m			
Hmotnost:	27 kg	30 kg	33 kg	36 kg

PerfectWall PW1750			
Šířka:	3 m	3,5 m	4 m
Výsuv:	2,5 m		
Hmotnost:	26 kg	30 kg	33 kg

Pohon 12 V (pouze PW1500 a PW1750)	
Napájecí napětí:	12 V $\overline{\text{---}}$ (11 – 15 V)
Intenzita proudu:	7 A
Výstupní výkon:	84 W
Krouticí moment:	35 Nm
Zkouška/certifikát:	

A termék mindenkor szakszerű telepítése, használata és karbantartása érdekében kérjük figyelmesen olvassa el az ebben a termék kézikönyvben található utasításokat, irányelveket és figyelmeztetéseket, valamint mindig tartsa be ezeket. Ezt az útmutatót a termék közelében KELL tartani.

A termék használatba vételével Ön kijelenti hogy figyelmesen elolvasta az összes utasítást, irányelvet és figyelmeztetést, valamint megértette és elfogadja az itt leírt szerződési feltételeket. Ön elfogadja, hogy kizárólag a rendeltetésének megfelelő célra és a jelen termék kézikönyvben leírt útmutatásoknak, irányelveknek és figyelmeztetéseknek, valamint a hatályos törvényeknek és szabályozásoknak megfelelően használja ezt a terméket. Az itt leírt utasítások és figyelmeztetések elolasásának és betartásának elmulasztása saját és mások sérüléséhez, a termék vagy a közelben található más anyagi javak károsodásához vezethet. Ez a termék kézikönyv és a benne található utasítások, irányelvek és figyelmeztetések, valamint a kapcsolódó dokumentációk módosulhatnak és frissülhetnek. Naprakész termékinformációk érdekében kérjük látogasson el a következő honlagra: dometic.com.



FIGYELMEZTETÉS!

- A jelen útmutatót a használat, tisztítás és karbantartás előtt el kell olvasni és meg kell érteni.
- Ezt a terméket szakembernek kell felszerelnie. A hibás felszerelés súlyos sérülésekhez vezethet. A terméken végzett átépítések rendkívül veszélyesek lehetnek, súlyos sérülésekhez vagy a készülék károsodásához vezethetnek.
- Az útmutatót a termék közelében kell tartani. A felhasználónak figyelmesen el kell olvasnia az útmutatót.

Tartalomjegyzék

1	Szimbólumok magyarázata	299
2	Biztonsági útmutatások	299
3	A csomag tartalma	302
4	Tartozékok	302
5	Rendeltetészerű használat	303
6	Műszaki leírás	304
7	Az előtető nyitása	305
7.1	Tudnivalók a jármű leállítási helyére vonatkozóan	305
7.2	Az előtető kihajtása	305
7.3	Az előtető összecsukása	308
7.4	A roló nyitása (csak a PW1750 modellnél)	310
7.5	A roló feltekerése (csak a PW1750 modellnél)	310
7.6	A 12 V-os motor beállítása (csak a PW1500/PW1750 modelleknél, opcionális)	310
7.7	Elemek cseréje a távirányítóban és a fali kapcsolóban (csak a PW1500/PW1750 modelleknél, opcionális)	311
8	Tisztítás és karbantartás	311
8.1	Tisztítás	311

8.2	Kenés	312
8.3	Ellenőrzés	312
8.4	A hátsó csuklópánt csavarjainak meghúzása	313
8.5	Kis lyukak kijavítása a vásznon	313
9	Hibaelhárítás	313
10	Szavatosság	314
11	Ártalmatlanítás	314
12	Műszaki adatok	315

1 Szimbólumok magyarázata



FIGYELMEZTETÉS!

Biztonsági megjegyzés olyan veszélyes helyzetre vonatkozóan, amely halált vagy súlyos sérülést okozhat, ha nem kerülik el.



FIGYELEM!

Felhívás olyan helyzetre, amely dologi kárt okozhat, ha nem kerülik el.



MEGJEGYZÉS

A termék kezelésére vonatkozó kiegészítő információk.

2 Biztonsági útmutatások

Vegye figyelembe a járműgyártó és a gépjárműszakma által előírt biztonsági megjegyzéseket és előírásokat.



FIGYELMEZTETÉS! Ezeknek a figyelmeztetéseknek a figyelmen kívül hagyása súlyos sérüléshez vagy halálhoz vezethet.

Egészségkárosodás veszélye

- Az utazás megkezdése előtt ellenőrizze, hogy az előtető teljesen be van-e húzva. Nyitott előtető esetén tilos mozgásba hozni a járművet.
- Ne induljon el beakasztott hajtókarral. Az utazás megkezdése előtt vegye le a hajtókart.

- Ha a vászon sérült vagy szakadt, ne induljon el a járművel még akkor se, ha az előtető megfelelően be van húzva. Az előtető karjait a vászon tartja. Ha menet közben elszakad a vászon, az előtető hirtelen kinyílik. Ez súlyos sérülésekhez vezethet. Biztosítsa úgy az előtetőt, hogy az menet közben ne nyílhasson ki hirtelen és váratlanul.
- Menet közben **tilos** kinyitni az előtetőt.
- Ügyeljen arra, hogy a vásznon ne gyűljön össze víz vagy hó. Ellenkező esetben megsérülhet az előtető, vagy letörhetnek az előtető karjai, amelyek így súlyos vagy halálos sérüléseket okozhatnak.
- Ne menjen az előtető közelébe
 - ha erős szélben nyitva maradt,
 - ha víztócsák keletkeztek rajta,
 - ha hó gyűlt össze rajta,
 - ha nagy mennyiségű durva szennyeződés található az előtető vásznan.
 Ilyen esetekben az előtető váratlanul mozgásba jöhet, instabillá válhat és elgörbülhet vagy eltörhet.
- A készüléket 8 év feletti gyermekek, valamint korlátozott fizikai, érzékelési és mentális képességű, illetve megfelelő tapasztalattal és tudással nem rendelkező személyek csak felügyelet mellett, illetve a készülék biztonságos használatát és az abból eredő veszélyeket megértve használhatják.
- A gyermekeket felügyelni kell annak érdekében, hogy ne játsszanak a készülékkel.

Áramütés miatti veszély

- **A PW1500/PW1750 modellekhez opcionális:** Az előtető csatlakozókábelének károsodása esetén ezt szakemberrel kell kicseréltetni.
- **A PW1500/PW1750 modellekhez opcionális:** Ha az előtető közelében, vagy magán az előtetőn tisztítási munkákat végez, akkor a be/ki kapcsolóval válassza le a tápellátást.
- **A PW1500/PW1750 modellekhez opcionális: Az elektromos berendezések nem játékszerek.**
A távirányítót úgy tárolja, hogy gyermekek nem férhessenek hozzá. Ne hagyja, hogy a gyermekek játsszanak a fali kapcsolóval (tartozék).



VIGYÁZAT! Ezeknek a felhívásoknak a figyelmen kívül hagyása könnyű vagy mérsékelt sérüléshez vezethet.

Egészségkárosodás veszélye

- Erős szélben vagy hóesésben **tilos** kinyitni az előtetőt.
- Ha erős szél, heves eső vagy hóesés várható, csukja össze az előtetőt.

- Ne hagyja őrizetlenül a kinyitott előtetőt. Húzza be az előtetőt, mielőtt elhagyja a pihenőhelyet.
- Nyílt láng fölött történő grillezéskor tartson kellő távolságot az előtetőtől. A forró tűz miatt sérülhet vagy kigyulladhat a vászon.
- Az előtető üzemeltetése során ne érintse meg a mozgó alkatrészeket. A mozgó alkatrészek sérülésveszélyt okozhatnak.
- **A PW1500/PW1750 modellekhez opcionális:** Csak akkor üzemeltesse az előtetőt, ha kívülről közvetlenül rálát a termékre



FIGYELEM! Károsodás veszélye

- Úgy állítsa le a lakókocsit vagy a lakóautót, hogy ne érhesse szennyeződés (ágak, levelek vagy hasonló dolgok) a vásznat.
- Az előtető vászna nem lóghat be a széleken, hanem mindig feszesnek kell lennie. A laza vászon nekidörzsölődhet a karoknak, ami az anyag károsodását okozhatja. Hosszú előtetőknél középen belóghat a vászon.
- Csak akkor csukja össze az előtetőt, ha a vásznon nincs szennyeződés (ágak, levelek vagy hasonló dolgok). Ellenkező esetben összecukáskor sérülhet az előtető.
- A kidörzsölődések, foltok és a penészedés megakadályozása érdekében ne hagyja hogy az előtető szennyeződjön.
- Nedvesen csak biztonsági okokból csukja össze az előtetőt. A lehető leghamarabb nyissa ki a nedves előtetőt. Ellenkező esetben penész vagy foltok képződhetnek, vagy kifakulhat a szín.
- Soha ne hajtsa le az előtető karját vagy a lécet annak érdekében, hogy a víz lefolyjon az előtetőről. Ellenkező esetben elgörbülhet az előtető, ami akadályozná a működést.
- Ne akasszon semmilyen tárgyat az előtetőre, se az első lécre, se pedig az előtető karjaira.
- Ne használjon spray-ket (pl. rovarvédő spray-t, hajspray-t) az előtető közelében. Ellenkező esetben szennyeződhet a vászon, vagy megsűnhet a vászon lepergető hatása.
- Amennyiben az előtető felszerelése után nem marad elég szabad hely az ajtó felett, az ajtót az előtető ki- és behúzása közben zárva kell hagyni, hogy az ajtó ne érintkezzen a karokkal vagy az első sínnel. A szükséges szabad tér az ajtó kivitelétől (szélesség, lengő- vagy toló-ajtó), valamint az előtető beállított dőlésszögétől függ.

3 A csomag tartalma

Mennyiség	Leírás
1	Előtető
1	Kézi hajtókar (csak motor nélküli előtetőknél)
1	Feszítórúd (4 m-nél hosszabb előtetők esetén)
1	Távírányító (csak a PW1500/PW1750 modelleknél, opcionális)
1	Előtető kapcsoló (csak a PW1500/PW1750 modelleknél, opcionális)
4	Csapok
1	Kezelési útmutató
1	Szerelési útmutató

4 Tartozékok

Tartozékként kapható (nincs mellékelve):

Leírás

TieDown Kit

Az előtető kifeszítésére szolgáló kötelek

CampRoom

Előszátor első panel oldalak és számos modellhez, különböző méretű támasztólábakkal

RainProtect

Első panel és oldalak különböző méretekben

SunProtect

Első panel és oldalak különböző méretekben

Rollo+ (a PW1750 modellnél nincs)

Vászonredőny

Dometic Light LK120

Az előtető karjaira felszerelhető távirányítós LED lámpa készlet

LED LightStrip

Különböző hosszúságokban kapható LED csíkok, amelyek az előtető alsó részére szerelhetők fel

Leírás

Led Profile

Különböző hosszúságokban kapható LED világítás, amelyek a fali előtetők alsó részére szerelhetők fel

Előtető tisztító

Speciális előtető tisztító

Repair Kit

Előtető javító folt

5 Rendeltetésű használat

A PerfectWall PW1000, PW1500 és PW1750 előtetők lakóautókra vagy lakókocsikra történő felszerelésre alkalmasak.

Az előtetőket csak leállított járművön szabad használni.

Ez a termék az itt leírt utasításoknak megfelelő rendeltetésű használatra alkalmas.

Ez a kézikönyv olyan információkat nyújt, amelyek a termék szakszerű telepítéséhez és/vagy üzemeltetéséhez szükségesek. A hibás telepítés és/vagy a szakszerűtlen üzemeltetés vagy karbantartás elégtelen teljesítményhez és potenciálisan meghibásodáshoz vezethet.

A gyártó nem vállal felelősséget a termék olyan károsodásáért, vagy sérüléséért, amelyek a következőkre vezethetők vissza:

- Hibás összeszerelés vagy csatlakoztatás, ideértve a túlfeszültséget is
- Helytelen karbantartás, vagy a gyártó által szállított eredeti cserealkatrészeketől eltérő cserealkatrészek használata
- A termék kifejezett gyártói engedély nélküli módosítása
- Az útmutatóban leírt céloktól eltérő felhasználás

A Dometic fenntartja a termék megjelenésének és specifikációjának módosítására vonatkozó jogát.

6 Műszaki leírás

A PerfectWall PW1000, PW1500 és PW1750 előtetőket kézi hajtókar segítségével lehet kihajtani és összecsucskni.

A PerfectWall PW1500 és PW1750 előtetők opcionálisan 12 V-os motorral is kihajthatók és összecsucskhatók, ezt kapcsolóval, vagy távirányítóval lehet vezérelni.

Az előtetőt kitémasztókkal lehet rögzíteni a jármű falán vagy a talajon.

A PW1750 előtető az első sínbe beépített sötétítő redőnnyel rendelkezik, amely árnyékolás céljára kihúzható.

A távirányító vezérlőelemei (csak a PW1500/PW1750 modelleknél, opcionális)

Szám itt: 1. ábra, 3. oldal	Leírás
1	Az előtető összecsucskása
2	Leállítás
3	Az előtető kinyitása
4	LED világítás be/ki kapcsolása (tartozék)

A kapcsoló vezérlőelemei (csak a PW1500/PW1750 modelleknél, opcionális)

Szám itt: 1. ábra, 3. oldal	Leírás
1	Az előtető összecsucskása
2	Leállítás
3	Az előtető kinyitása

7 Az előtető nyitása

Vegye figyelembe az itt található biztonsági útmutatásokat: „Biztonsági útmutatások” fejr., 299. oldal.

7.1 Tudnivalók a jármű leállítási helyére vonatkozóan



FIGYELEM!

- Úgy állítsa le a járművet, hogy ne érhesse szennyeződés (ágak, levelek vagy hasonló dolgok) a vásznat.
- A kidörzsölődések, foltok és a penészedés megakadályozása érdekében ne hagyja hogy az előtető szennyeződjön.

7.2 Az előtető kihajtása

Az előtető kihajtása kézi hajtókkal



FIGYELMEZTETÉS! Sérülésveszély.

Tartson kellő távolságot tárgytól vagy más járművektől. Kinyitás után körben legalább 40 cm távolságnak kell lennie más tárgytól vagy járművektől.

- ▶ Pattintsa be a kézi hajtókart az előtető tartójába (2. ábra, 3. oldal).
- ▶ Forgassa addig a kézi hajtókart, míg az előtető kb. 1,5 m-re ki nem nyílik (3. ábra, 4. oldal).
- ▶ Tolja össze teljesen a jobb oldali kitémasztót az első burkolatba úgy, hogy szabadon tudja mozgatni (5. ábra, 5. oldal).
- ▶ Fordítsa oldalra a jobb oldali kitémasztót (5. ábra, 5. oldal).
- ▶ Hajtsa le a jobb oldali kitémasztót és állítsa a talajra (6. ábra, 5. oldal).
- ▶ Állítsa be a kitémasztót a kívánt magasságra (7. ábra, 6. oldal).
- ▶ Hajtsa fel a kitémasztó karját a kitémasztó rögzítéséhez (8. ábra, 6. oldal).
- ▶ Ugyanígy csukja össze a másik kitémasztót.
- ▶ Forgassa addig a kézi hajtókart, míg az előtető a kívánt állásig ki nem nyílik. 30 cm-enként úgy állítsa fel a kitémasztókat az első sín alá, hogy a kitémasztó mindig stabilan tartsa az előtetőt.
- ▶ Kb. negyed fordulattal forgassa vissza a kézi hajtókart a vászon megfeszítéséhez.



FIGYELEM! A termék károsodásának veszélye.

Az előtető vászna nem lóghat be a széleken, hanem mindig feszesnek kell lennie. A laza vászon nekidörzsölődhet a karoknak, ami az anyag károsodását okozhatja.

Hosszú előtetőknél középen belóghat a vászon.

- ▶ Akassza ki a kézi hajtókart az előtető tartójából.

Az előtető kihajtása 12 V-os motorral (csak a PW1500/PW1750 modellek-nél, opcionális)



FIGYELMEZTETÉS! Sérülésveszély.

Tartson kellő távolságot tárgyaktól vagy más járművektől. Kinyitás után körben legalább 40 cm távolságnak kell lennie más tárgyaktól vagy járművektől.



MEGJEGYZÉS

Csak távirányítóval történő üzemeltetéshez:

- A jármű elindításakor az előtető automatikusan becsukódik. A jármű mozgása közben a rendszer blokkolja az előtetőt így azt nem lehet kihajtani.
- Bekapcsoláskor a vevő egy hangjelzést hallat.
- A távirányító üzemét befolyásolhatja, ha interferencia keletkezik, mivel a közelben ugyan azon a frekvencián egy másik készüléket használnak.
- Vezetés közben tartsa biztonságos helyen a távirányítót. A tartóban lévő mágnes nem tartja meg a készüléket erős rezgések, vagy hirtelen fékezés esetén.

- ▶ Addig tartsa lenyomva a kapcsolón, vagy a távirányítón a ▽ gombot, amíg az előtető körülbelül 1,5 méterre ki nem nyílik (4. ábra, 4. oldal).
- ▶ Tolja össze teljesen a jobb oldali kitémasztót az első burkolatba úgy, hogy szabadon tudja mozgatni (5. ábra, 5. oldal).
- ▶ Fordítsa oldalra a jobb oldali kitémasztót (5. ábra, 5. oldal).
- ▶ Hajtsa le a jobb oldali kitémasztót és állítsa a talajra (6. ábra, 5. oldal).
- ▶ Állítsa be a kitémasztót a kívánt magasságra (7. ábra, 6. oldal).
- ▶ Hajtsa fel a kitémasztó karját a kitémasztó rögzítéséhez (8. ábra, 6. oldal).
- ▶ Ugyanígy csukja össze a másik kitémasztót.

- ▶ A megfelelő helyzetben addig tartsa lenyomva a kapcsolón, vagy a távirányítón a ▽ gombot, amíg az előtető ki nem nyílik. 30 cm-enként úgy állítsa fel a kitámasztókat az első sín alá, hogy a kitámasztó mindig stabilan tartsa az előtetőt.
- ▶ Addig tartsa lenyomva a kapcsolón, vagy a távirányítón a ▽ kapcsolót, amíg az előtető a vászon kifeszültségéig ki nem nyílik.



FIGYELEM! A termék károsodásának veszélye.

Az előtető vászna nem lóghat be a széleken, hanem mindig feszesnek kell lennie. A laza vászon nekidörzsölődhet a karoknak, ami az anyag károsodását okozhatja.
Hosszú előtetőknél középen belóghat a vászon.

A kitámasztó felállítása a talajra



FIGYELMEZTETÉS! Sérülésveszély

- Kizárólag szilárd talajon állítsa fel a kitámasztót.
- Biztosítsa a kitámasztót csúszkálás ellen.

- ▶ Függőlegesen állítsa fel a kitámasztót az első sín alatt.
- ▶ Csapokkal rögzítse a kitámasztókat (9. ábra, 6. oldal).
- ▶ Az egyik kitámasztót állítsa kissé alacsonyabbra, hogy az első sín enyhén ferde legyen. Így könnyebben lefolyhat az eső (10. ábra, 6. oldal).

A kitámasztó rögzítése a járművön

Az előtetőt közvetlenül rögzítheti a járművén, ha felszerelte a kitámasztók reteszeit.

- ▶ Tolja fel a retesz borítását (11. ábra, 7. oldal).
- ▶ Akassza be a kitámasztókat a reteszbe (11. ábra, 7. oldal).
- ▶ Tolja le a retesz borítását (11. ábra, 7. oldal).
- ▶ Az egyik kitámasztót állítsa kissé alacsonyabbra, hogy az első sín enyhén ferde legyen. Így könnyebben lefolyhat az eső (12. ábra, 7. oldal).

A feszítőrúd felszerelése (13. ábra, 7. oldal)

4 méteres vagy annál hosszabb előtetőknél feszítőrúdat kell rögzíteni az előtető közepén. Ezáltal megakadályozható az előtető belógása.

- ▶ Tolja össze a feszítőrúdat.
- ▶ Pattintsa be a feszítőrúd felső végét a házon lévő tartószerkezetbe.
- ▶ Tolja be a feszítőrúd másik végét az első sínen lévő tartószerkezetbe.

7.3 Az előtető összecsukása



FIGYELEM!

- Csak akkor csukja össze az előtetőt, ha a vásznon nincs szennyeződés (ágak, levelek vagy hasonló dolgok). Ellenkező esetben összecsukáskor sérülhet az előtető.
- A kidörzsölődések, foltok és a penészedés megakadályozása érdekében ne hagyja hogy az előtető szennyeződjön.
- Az előtető behúzásakor ügyeljen arra, hogy ne szoruljanak be ágak vagy más tárgyak az előtetőbe.

- ▶ Távolítsa el a vásznon lévő szennyeződések (ágak, levelek vagy hasonló dolgok).
- ▶ Oldja ki a kitémasztók rögzítését (csapok vagy retesz a járművön).

Az előtető összecsukása kézi hajtókkal

- ▶ Pattintsa be a kézi hajtókar felső végét az előtető tartójába.
- ▶ Forgassa addig a kézi hajtókart, míg az előtető már csak kb. 1,5 m-re van nyitva. 30 cm-enként úgy állítsa fel a kitémasztókat az első sín alá, hogy a kitémasztó mindig stabilan tartsa az előtetőt.
- ▶ Hajtsa le a jobb oldali kitémasztó karját a kitémasztó kioldásához.
- ▶ Tolja össze teljesen a kitémasztót.
- ▶ Hajtsa fel a jobb oldali kitémasztót.
- ▶ Fordítsa be a jobb oldali kitémasztót az első sínbe.
- ▶ Tolja be a jobb oldali kitémasztó alsó részét az első sín reteszébe.
- ▶ Ugyanígy csukja össze a másik kitémasztót is.
- ▶ Forgassa addig a kézi hajtókart, míg az előtető teljesen be nem záródik.

- ▶ Győződjön meg arról, hogy az előtető teljesen be van-e zárva, mielőtt elindul. Az első sínnek szorosan a házra kell feküdnie.
- ▶ Akassza ki a kézi hajtókart az előtető tartójából.



FIGYELEM! A termék károsodásának veszélye.

Ha nedvesen csukja összes az előtetőt, akkor a következő lehetőségnél nyissa ki és szárítsa ki a vásznat. Ha a nedves vászon hosszú ideig összecukva marad, akkor bepenészedhet és a színek kifakulhatnak.

Az előtető összecukása 12 V-os motorral (csak a PW1500/PW1750 modelleknél, opcionális)

- ▶ Addig tartsa lenyomva a kapcsolón, vagy a távirányítón a \triangle gombot, amíg az előtető már csak körülbelül 1,5 méter távolságra van kinyitva. 30 cm-enként úgy állítsa fel a kitámasztókat az első sín alá, hogy a kitámasztó mindig stabilan tartsa az előtetőt.
- ▶ Hajtsa le a jobb oldali kitámasztó karját a kitámasztó kioldásához.
- ▶ Tolja össze teljesen a kitámasztót.
- ▶ Hajtsa fel a jobb oldali kitámasztót.
- ▶ Fordítsa be a jobb oldali kitámasztót az első sínbe.
- ▶ Tolja be a jobb oldali kitámasztó alsó részét az első sín reteszébe.
- ▶ Ugyanígy csukja össze a másik kitámasztót is.
- ▶ Addig tartsa lenyomva a kapcsolón, vagy a távirányítón a \triangle gombot, amíg az előtető teljesen be nem csukódott.
- ▶ Győződjön meg arról, hogy az előtető teljesen be van-e zárva, mielőtt elindul. Az első sínnek szorosan a házra kell feküdnie.



FIGYELEM! A termék károsodásának veszélye.

Ha nedvesen csukja összes az előtetőt, akkor a következő lehetőségnél nyissa ki és szárítsa ki a vásznat. Ha a nedves vászon hosszú ideig összecukva marad, akkor bepenészedhet és a színek kifakulhatnak.

7.4 A roló nyitása (csak a PW1750 modellnél)

- ▶ Nyissa ki az első sín közepén lévő zárat (14. ábra, 8. oldal).
- ▶ A tartóelemeket tolja el jobbra és balra, a rolók sínjeibe (15. ábra, 8. oldal).
- ▶ Vezesse át a rögzítő öveket, vagy a zsinórokat a tartóelemek hurkain (15. ábra, 8. oldal).
- ▶ Két kézzel húzza lefelé egyenletesen a rolót a sínen (16. ábra, 8. oldal).
A maximális kihúzási magasság 1,2 m.
- ▶ A tartóelemeket jobb és bal oldalon rögzítse a támasztókon (17. ábra, 9. oldal).
vagy
- ▶ Csapokkal rögzítse a zsinórokat (18. ábra, 9. oldal).

7.5 A roló feltekerése (csak a PW1750 modellnél)

- ▶ Oldja meg a roló rögzítéseit.
- ▶ Húzza lefelé a rolót (19. ábra, 9. oldal).
- ✓ A roló magától visszafut az első sínbe.
- ▶ A tartóelemeket jobb és bal oldalon húzza ki a sínből (20. ábra, 10. oldal).
- ▶ Zárja le az első sín közepén lévő zárat (21. ábra, 10. oldal).



FIGYELEM! A termék károsodásának veszélye.

Ha nedves állapotban csukta össze a rolót, a lehető leghamarabb nyissa ki azt és hagyja megszáradni a vásznot. Ha a nedves vászon hosszú ideig összecsucva marad, akkor bepenészedhet és a színek kifakulhatnak.

7.6 A 12 V-os motor beállítása (csak a PW1500/PW1750 modelleknél, opcionális)



MEGJEGYZÉS

A 12-V motor előre fel van szerelve a szövet tengelyére.

- ▶ Ha az előtető már nem záródik be teljesen, vagy nem nyílik ki, akkor állítsa be a 12 V-os motort (22. ábra, 10. oldal).

7.7 Elemek cseréje a távirányítóban és a fali kapcsolóban (csak a PW1500/PW1750 modelleknél, opcionális)



MEGJEGYZÉS

Ha a távirányító LED égője valamelyik gomb megnyomása után **nem** világít, akkor lemerült a távirányító eleme.

- ▶ Nyissa fel a készülékházat **(23)**. ábra 1, 11. oldal).
- ▶ Távolítsa el a régi elemet a tartóból.
- ▶ Helyezzen be egy új elemet (a távirányítóhoz CR2450, a fali kapcsolóhoz CR2430 típus alkalmas, **(23)**. ábra 2, 11. oldal) a tartóba úgy, hogy a pozitív csatlakozója felfelé nézzen.
- ▶ A távirányító vagy a fali kapcsoló összeszerelése.



Védje környezetét!

Az akkumulátorok és elemek nem a háztartási hulladékba valók.

Adja le a meghibásodott akkumulátorokat vagy elhasznált elemeket a kereskedőnél vagy egy gyűjtőhelyen.

8 Tisztítás és karbantartás

8.1 Tisztítás



FIGYELEM! A termék károsodásának veszélye.

- **Soha** ne tisztítsa az előtetőt nagynyomású tisztítóval.
- Ne használjon a tisztításhoz éles tisztítóeszközöket vagy kemény tárgyakat, mert azok megsérthetik a terméket.

- ▶ Távolítson el minden szennyeződést (ágak, levelek vagy hasonló dolgok) az előtetőről a kidörzsölődések, foltok és a penészedés elkerülése érdekében. Ellenkező esetben behúzáskor meg is sérülhet az előtető.

- ▶ A por és szennyeződés eltávolítása érdekében tisztítsa meg rendszeresen az előtető vásznát:
 - ehhez használjon vizet 30 g öblítőszerrel és 30 g fehérítőt 10 l vízzel.
 - Ezzel szappanozza be a vásznat, majd hagyja hatni öt percig a tisztítófolyadékot.
 - Ezután mossa le tiszta vízzel alaposan a vásznat.
 Győződjön meg arról, hogy teljesen lemossa-e a fehérítés tisztítófolyadékot. Ellenkező esetben károsodhat a vászon.
 - Hagyja megszáradni a vásznat.



MEGJEGYZÉS

A gyártó javaslata:

A vászon tisztításához használja a Dometic előtető-tisztítót (cikkszám: 9600000165, beszerezhető a szervizpartnereken keresztül).

8.2 Kenés

- ▶ Szükség esetén kenje meg az előtető csuklóit paraffin viasszal, teflon- vagy szilikonolajjal.

8.3 Ellenőrzés



FIGYELMEZTETÉS!

Ne használja az előtetőt, ha beállításokra vagy javításokra van szükség. Sérülések észlelése esetén forduljon az illetékes szervizpartnerhez (a címetek lásd az útmutató hátoldalán).



MEGJEGYZÉS

Az olyan Dometic kiegészítők, mint például a tömítőcsatlakozók vagy a szivacs csíkok ki vannak téve a környezet által okozott kopásnak és elhasználódásnak. Ez nem a gyenge minőség következménye. Ezen alkatrészek funkciójának biztosítása érdekében a Dometic azt javasolja, hogy 5 évente cserélje ki a gumitömítéseket és a szivacs csíkokat.

- ▶ Ellenőrizze rendszeresen az előtető stabilitását és kopását, valamint a főbb alkatrészek épségét.
- ▶ Ellenőrizze rendszeresen az előtetőt:
 - ép a vászon?
 - Sértetlenek és kopási nyomoktól mentesek a karok és az első sín?
 - Jól záródik az előtető?

8.4 A hátsó csuklópánt csavarjainak meghúzása

A hátsó csuklópánt csavarjait az első terheléseket követően meg kell húzni:

- az előtető első használata után,
- 20000 km után vagy hat hónappal az előtető beszerelését követően (attól függően, hogy melyik következik be előbb)

Ezenkívül a rendszeres járműellenőrzés során ellenőrizni kell a hátsó csuklópánt csavarjait.

A csavarok utánhúzása érdekében forduljon a legközelebbi szervizpartnerhez.

Szervizelési útmutatások (24. ábra, 11. oldal)



FIGYELEM!

Az előtető karjait tilos terhelésnek kitenni. Ellenkező esetben a csavarok meghúzási nyomatéka megváltozhat.

- ▶ Kissé emelje meg az első sínt, így csuklópántokat nem éri terhelés.
- ▶ Húzza meg a csavarokat 15 – 25 Nm nyomatékkal.

8.5 Kis lyukak kijavítása a vásznon

A kis lyukakat, amelyek a vásznon vagy azokon a helyeken keletkeztek, ahol levált a bevonat, önállóan is be lehet foltozni:

- ▶ Dörzsöljön szét pamut ronggyal a sérült hely körül egy kevés folyékony vinil foltozót (cikkszám: 9103104018, szervizpartnereknél kapható).
- ✓ A folyékony vinil foltozó feloldja a bevonatot. A bevonat száradás közben lezárja a lyukat.
- ▶ Mielőtt újra becsukja az előtetőt, várja meg, hogy megszáradjon a sérülés helye.

9 Hibaelhárítás



MEGJEGYZÉS

Ha az alábbi táblázat segítségével nem képes elhárítani a hibát, akkor kérjük hogy forduljon az Ön országában illetékes szervizpartnerhez (a címeiket a kézikönyv hátoldalán találhatja meg).

Hiba	Lehetséges ok	Megoldási javaslat
<p>Csak a PW1500/PW1750 modelleknél: A motor nem reagál a távirányítóra.</p>	A távirányító eleme lemerült.	<p>Röviden nyomja le a \triangle vagy a ∇ gombot. Ha a távirányító LED nem kezd világítani, akkor az elem lemerült.</p> <p>Az elemcsere módját itt találhatja meg: „Elemek cseréje a távirányítóban és a fali kapcsolóban (csak a PW1500/PW1750 modelleknél, opcionális)” fejj., 311. oldal.</p>
	A távirányító nincs megfelelően, vagy már nincs beállítva a motorhoz.	A szerelési útmutatóban leírtak szerint programozza újra a távirányítót.
	Nincs áramellátás	Ellenőrizze az elektromos csatlakozásokat.
	A motor meghibásodott.	Kézzel csukja össze az előtetőt és forduljon az Ön országában illetékes szervizpartnerhez.

10 Szavatosság

A termékre a törvény szerinti szavatossági időszak érvényes. Amennyiben a termék meghibásodott, lépjen kapcsolatba a kiskereskedővel, vagy a gyártó helyi képviselőjével (lásd: dometic.com/dealer).

A javításhoz, illetve a garancia adminisztrációhoz a következő dokumentumokat kell mellékelnie a termék beküldésekor:

- A számla vásárlási dátummal rendelkező másolatát
- A reklamáció okát vagy a hibát tartalmazó leírást

11 Ártalmatlanítás

- A csomagolóanyagot lehetőleg a megfelelő újrahasznosítható hulladék közé tegye.



Ha a terméket véglegesen kivonja a forgalomból, kérjük, tájékozódjon a legközelebbi hulladékártalmatlanító központnál vagy a szakkereskedőjénél az idevonatkozó ártalmatlanítási előírásokkal kapcsolatban.


12 Műszaki adatok

PerfectWall PW1000					
Szélesség:	2,6 m	3 m	3,5 m	4 m	4,5 m
Kinyitva:	2 m	2,5 m			
Súly:	18,6 kg	21 kg	24 kg	27 kg	30 kg

PerfectWall PW1500				
Szélesség:	1,5 m	2,6 m	3 m	3,5 m
Kinyitva:	1 m	2 m	2,5 m	2,5 m / 2,75 m
Súly:	12 kg	18 kg	21 kg	24 kg

PerfectWall PW1500				
Szélesség:	4 m	4,5 m	5 m	5,5 m
Kinyitva:	2,5 m / 2,75 m			
Súly:	27 kg	30 kg	33 kg	36 kg

PerfectWall PW1750			
Szélesség:	3 m	3,5 m	4 m
Kinyitva:	2,5 m		
Súly:	26 kg	30 kg	33 kg

12 V-os motor (csak a PW1500 és PW1750 modelleknél)	
Csatlakozási feszültség:	12 V $\overline{=}$ (11 – 15 V)
Áramerősség:	7 A
Kimeneti teljesítmény:	84 W
Forgatónyomaték:	35 Nm
Vizsgálat/tanúsítvány:	

Pozorno preberite in upoštevajte vsa navodila, smernice in opozorila iz tega priročnika, da zagotovite pravilno vgradnjo, uporabo in vzdrževanje izdelka. Ta navodila je TREBA hraniti skupaj z izdelkom.

Z uporabo izdelka potrjujete, da ste pozorno prebrali vsa navodila, smernice in opozorila ter razumete in upoštevate vsa določila ter pogoje v tem dokumentu. Strinjate se, da boste izdelek uporabljali samo za predvideni namen uporabe in v skladu z navodili, smernicami in opozorili v tem priročniku ter v skladu z vsemi veljavnimi zakoni in predpisi. Če navodil in opozoril v nadaljevanju ne preberete in ne upoštevate, boste morda poškodovali izdelek ali povzročili materialno škodo v bližini. Pridržujemo si pravico do sprememb in posodobitev priročnika, vključno z navodili, smernicami in opozorili ter povezano dokumentacijo. Za najnovejšo informacije o izdelku obiščite dometic.com.



OPOZORILO!

- Ta navodila je treba razumeti in prebrati pred uporabo, čiščenjem in vzdrževanjem.
- Ta izdelek mora montirati strokovnjak. Zaradi nepravilne montaže lahko pride do hudih poškodb. Predelave na izdelku so lahko zelo nevarne in povzročijo hude poškodbe ali škodo na napravi.
- Ta navodila morajo ostati ob izdelku. Lastnik jih mora pazljivo prebrati.

Kazalo

1	Razlaga simbolov	317
2	Varnostni napotki	317
3	Obseg dobave	320
4	Dodatna oprema	320
5	Predvidena uporaba	321
6	Tehnični opis	322
7	Upravljanje markize	323
7.1	Napotki glede mesta postavitve vozila	323
7.2	Izvlačenje markize	323
7.3	Uvlačenje markize	326
7.4	Razvijanje roloja (samo za PW1750)	328
7.5	Zvijanje roloja (samo za PW1750)	328
7.6	Nastavljanje 12 V motorja (samo za PW1500/PW1750, izbirno) .	329
7.7	Zamenjava baterij v daljinskem upravljalniku in stenskem stikalu (samo za PW1500/PW1750, izbirno)	329
8	Čiščenje in vzdrževanje	330
8.1	Čiščenje	330
8.2	Mazanje	330
8.3	Pregledovanje	330
8.4	Privijanje vijake na zadnjem tečaju	331

8.5	Krpanje majhnih lukenj v blagu.	331
9	Odpravljanje težav	332
10	Garancija	332
11	Odstranjevanje	333
12	Tehnični podatki	334

1 Razlaga simbolov



OPOZORILO!

Varnostni napotek opozarja na nevarno situacijo, ki lahko povzroči smrt ali hude poškodbe, če ni preprečena.



OBVESTILO!

Napotek na situacijo, ki lahko povzroči materialno škodo, če ni preprečena.



NASVET

Dopolnilne informacije za upravljanje izdelka.

2 Varnostni napotki

Upoštevajte navedene varnostne napotke in zahteve proizvajalca vozila ter servisnih delavnic.



OPOZORILO! Neupoštevanje teh opozoril lahko povzroči smrt ali hude poškodbe.

Nevarnost za zdravje

- Pred začetkom vožnje preverite, da je markiza popolnoma uvlečena. Ko je markiza izvlečena, ne premikajte vozila.
- Nikoli se ne vozite z vpeto ročico. Pred začetkom vožnje snemite ročico.
- Vozila ne vozite, če je blago poškodovano ali raztrgano, tudi če je markiza pravilno uvlečena. Blago drži roke markize. Če se blago med vožnjo raztrga, se markiza nenadoma sproži. Zaradi tega lahko pride do hudih poškodb. Markizo zavarujte tako, da se med vožnjo ne bo mogla nenadoma in nepričakovano izvleči.

- Markize **ne** odpirajte med vožnjo.
- Pazite, da se na blagu ne bo nabirala voda ali sneg. Sicer se markiza lahko poškoduje ali pa se roke markize odlomijo in tako povzročijo hude poškodbe ali poškodbe s smrtnim izidom.
- Ne približujte se markizi,
 - če je ostala odprta med močnim vetrom,
 - če se je na njen nabrala voda,
 - če se je na njej nabral sneg,
 - če je na njej veliko grobe umazanije.Markiza se lahko začne nepričakovano premikati, postane nestabilna in se lahko ukrivi ali odlomi.
- To napravo smejo uporabljati otroci, ki so starejši od 8 let, in osebe z zmanjšanimi fizičnimi, zaznavnimi ali duševnimi sposobnostmi ali s pomanjkljivimi izkušnjami in znanjem, če so nadzorovani ali so prejeli navodila glede varne uporabe naprave in razumejo s tem povezana tveganja.
- Otroke je treba nadzorovati in tako zagotoviti, da se z napravo ne bodo igrali.

Nevarnost električnega udara

- **Izbirno za PW1500/PW1750:** če je priključni kabel markize poškodovan, ga mora zamenjati strokovnjak.
- **Izbirno za PW1500/PW1750:** pred čiščenjem vozila v bližini markize ali pred čiščenjem same markize s stikalom izklopite napajanje.
- **Izbirno za PW1500/PW1750: Električne naprave niso otroške igrače.**
Daljinski upravljalnik hranite izvem dosega otrok. Ne dovolite, da bi se otroci igrali s stenskim stikalom (dodatna oprema).



POZOR! Neupoštevanje teh svaril lahko povzroči lažje ali srednje poškodbe.

Nevarnost za zdravje

- Markize **ne** odpirajte pri močnem vetru ali med sneženjem.
- Uvlecite markizo, če obstaja nevarnost močnega vetra, dežja ali sneženja.
- Izvlečeno markizo vedno nadzorujte. Uvlecite markizo, preden premaknete vozilo z mesta, kjer je parkirano.
- Žara z odprtim ognjem ne uporabljajte v bližini markize. Vročina lahko poškoduje blago ali pa se to lahko vname.

- Med upravljanjem markize se ne dotikajte gibljivih delov. Obstaja nevarnost poškodb zaradi gibljivih delov.
- **Izbirno za PW1500/PW1750:** Markizo upravljajte samo, ko jo od zunaj neposredno vidite



OBVESTILO! Nevarnost poškodb

- Avtodom ali prikolico postavite tako, da na blago ne bo padal odpadni material (veje, listje in podobno).
- Blago markize ob robovih ne sme biti povešeno, temveč mora biti na vseh mestih napeto. Če je blago povešeno, se lahko drgne ob roke in poškoduje.
Pri dolgih markizah je lahko blago povešeno na sredini.
- Markizo uvlecite le, če na blagu ni odpadnega materiala (vej, listja in podobnega). V nasprotnem primeru se lahko markiza poškoduje.
- Z markize odstranjujte umazanijo, da preprečite nastajanje odrgrnin, madežev in plesni.
- Mokro markizo uvlecite le, če je to treba storiti zaradi varnosti. Čim prej jo znova izvlecite. Sicer lahko nastane plesen ali madeži oz. barva lahko zbledi.
- Roke markize ali sprednjega roba nikoli ne upogibajte navzdol, da bi voda odtekla z markize. Zaradi tega se markiza lahko zvije in več ne deluje pravilno.
- Ne obešajte predmetov na markizo, ne na sprednji rob ali na roki markize.
- V bližini markize ne uporabljajte pršil (npr. pršil proti insektom, pršil za lase). Sicer se lahko blago umaže ali pa vodoodbojnost več ne bo imela učinka.
- Če po montaži markize nad vrati ne ostane dovolj prostora, morajo vrata med uvlečenjem in izvlečenjem ostati zaprta, s čimer preprečite stik vrat z rokami ali glavnim vodilom.
Potreben prostor je odvisen od načina izdelave vrat (širina vrat, nihajna ali drsna vrata) in nastavljenega naklonskega kota markize.

3 Obseg dobave

Količina	Opis
1	Markiza
1	Ročica (samo markize brez motorja)
1	Napenjalni škarnik (samo pri markizah dolžine 4 m in več)
1	Daljinski upravljalnik (samo za PW1500/PW1750, izbirno)
1	Stikalo markize (samo za PW1500/PW1750, izbirno)
4	Klini
1	Navodila za upravljanje
1	Navodila za montažo

4 Dodatna oprema

Na voljo kot dodatna oprema (ni vključeno v dobavo):

Opis
TieDown Kit Pasovi za privezovanje markize
CampRoom Sprednji in stranski paneli predšotorja iz markiz za različne modele s podpornimi nogami različnih velikosti
RainProtect Sprednji in stranski paneli, na voljo v različnih velikostih
SunProtect Sprednji in stranski paneli, na voljo v različnih velikostih
Rollo+ (ni za model PW1750) Rolo
Dometic Light LK120 LED-osvetlitev z daljinskim upravljalnikom za montažo na roke markize
LED LightStrip Trak iz LED-lučk različnih dolžin za pritrditev na spodnji del markize

Opis

Led Profile

LED-osvetlitev različnih dolžin za pritrditev na spodnji del markiz, pritrjenih na steno

Čistilo za markize

Posebno čistilo za markize

Repair Kit

Zaplate za krpanje markize

5 Predvidena uporaba

PerfectWall PW1000, PW1500 in PW1750 so markize, ki so primerne za montažo na avtodome ali prikolice.

Markize je dovoljeno uporabljati le, ko vozilo stoji.

Ta izdelek je primeren samo za predvideni namen in uporabo v skladu s temi navodili.

V tem priročniku so navedene informacije, ki jih je treba upoštevati za pravilno vgradnjo in/ali delovanje izdelka. Aparat zaradi slabe vgradnje in/ali nepravilne uporabe oziroma vzdrževanja ne bo dobro deloval in se lahko pokvari.

Proizvajalec ne sprejema nobene odgovornosti za telesne poškodbe ali poškodbe izdelka, do katerih pride zaradi:

- napačne vgradnje ali priklopa oziroma neustrezne napetosti;
- neustreznih vzdrževalnih del ali uporabe neoriginalnih nadomestnih delov, ki jih ni dobavil proizvajalec;
- sprememb izdelka brez izrecnega dovoljenja proizvajalca;
- uporabe za namene, ki niso opisani v navodilih.

Družba Dometic si pridržuje pravico do spremembe videza in specifikacij izdelka.

6 Tehnični opis

PerfectWall PW1000, PW1500 in PW1750 so markize, ki jih je mogoče izvleči in uvleči z ročico.

Markize PerfectWall PW1500 in PW1750 je mogoče izvleči in uvleči tudi z uporabo 12-voltnega motorja, ki ga upravljate s stikalom ali daljinskim upravljalnikom.

Markizo je treba z oporami zavarovati na steni vozila ali na tleh.

Markize PW1750 imajo rolo, ki je vgrajen v glavno vodilo in ga je mogoče izvleči, da zagotavlja zaščito pred dežjem ali soncem.

Gumbi na daljinskem upravljalniku (samo za PW1500/PW1750, izbirno)

Št. na sl. 1 , stran 3	Opis
1	Uvlečenje markize
2	Ustavitev
3	Izvlečenje markize
4	Vklop/izklop LED-osvetlitve (dodatna oprema)

Gumbi na stikalu (samo za PW1500/PW1750, izbirno)

Št. na sl. 1 , stran 3	Opis
1	Uvlečenje markize
2	Ustavitev
3	Izvlečenje markize

7 Upravljanje markize

Upoštevajte varnostna navodila v razdelku pogl. „Varnostni napotki“ na strani 317.

7.1 Napotki glede mesta postavitve vozila



OBVESTILO!

- Vozilo postavite tako, da na blago ne bo padal odpadni material (veje, listje in podobno).
- Z markize odstranjujte umazanijo, da preprečite nastajanje odrgrnin, madežev in plesni.

7.2 Izvlečenje markize

Izvlečenje markize z ročico



OPOZORILO! Nevarnost poškodb.

Upoštevajte zadostno razdaljo do predmetov ali drugih vozil. Ko je markiza izvlečena, mora biti na vseh straneh od drugih predmetov ali vozil odmaknjena vsaj 40 cm.

- ▶ Ročica se mora zaskočiti v držalu markize (sl. **2**, stran 3).
- ▶ Vrtite ročico, dokler ni markiza izvlečena približno 1,5 m (sl. **3**, stran 4).
- ▶ Desno oporo v sprednjem pregrinjalu potisnite do konca skupaj, da jo boste lahko prosto premikali (sl. **5**, stran 5).
- ▶ Obrnite desno oporo na stran (sl. **5**, stran 5).
- ▶ Zložite desno oporo in jo postavite na tla (sl. **6**, stran 5).
- ▶ Oporo nastavite na zeleno višino (sl. **7**, stran 6).
- ▶ Dvignite ročaj opore, da jo fiksirate (sl. **8**, stran 6).
- ▶ Na enak način iztegnite še drugo oporo.
- ▶ Vrtite ročico, dokler ni markiza izvlečena v zelenem položaju. Opore na vsakih 30 cm postavite navpično pod glavno vodilo, da markiza ostane fiksirana.
- ▶ Zavrtite ročico za pribl. 1/4 obrata nazaj, da napnete blago.



OBVESTILO! Pazite, da ničesar ne poškodujete.

Blago markize ob robovih ne sme biti povešeno, temveč mora biti na vseh mestih napeto. Če je blago povešeno, se lahko drgne ob roke in poškoduje.

Pri dolgih markizah je lahko blago povešeno na sredini.

- ▶ Snemite ročico z držala na markizi.

Izvlačenje markize z uporabo 12-voltnega motorja (samo za PW1500/PW1750, izbirno)



OPOZORILO! Nevarnost poškodb.

Upoštevajte zadostno razdaljo do predmetov ali drugih vozil. Ko je markiza izvlečena, mora biti na vseh straneh od drugih predmetov ali vozil odmaknjena vsaj 40 cm.



NASVET

Samo za upravljanje z daljinskim upravljalnikom:

- Ko zaženete vozilo, se markiza samodejno uvleče. Med premikanjem vozila je markiza blokirana in je ni mogoče izvleči.
- Sprejemnik enkrat zapiska, ko se vklopi.
- Na delovanje daljinskega upravljalnika lahko vplivajo motnje zaradi delovanja druge naprave v bližini, ki uporablja isto frekvenco.
- Daljinski upravljalnik naj bo med vožnjo spravljen na varnem mestu. Magnet v držalu ne prenese močnih vibracij, denimo zaradi močnega zaviranja.

- ▶ Pritisnite gumb ▽ na stikalu ali daljinskem upravljalniku, dokler se markiza ne iztegne za približno 1,5 metra (sl. **4**, stran 4).
- ▶ Desno oporo v sprednjem pregrinjalu potisnite do konca skupaj, da jo boste lahko prosto premikali (sl. **5**, stran 5).
- ▶ Obrnite desno oporo na stran (sl. **5**, stran 5).
- ▶ Zložite desno oporo in jo postavite na tla (sl. **6**, stran 5).
- ▶ Oporo nastavite na zeleno višino (sl. **7**, stran 6).
- ▶ Dvignite ročaj opore, da jo fiksirate (sl. **8**, stran 6).
- ▶ Na enak način iztegnite še drugo oporo.

- ▶ Pritisnite gumb ▽ na stikalu ali daljinskem upravljalniku, dokler se markiza ne iztegne v želeni položaj. Opore na vsakih 30 cm postavite navpično pod glavno vodilo, da markiza ostane fiksirana.
- ▶ Pritisnite gumb ▽ na stikalu ali daljinskem upravljalniku, dokler se markiza ne uvleče dovolj nazaj, da se blago napne.



OBVESTILO! Pazite, da ničesar ne poškodujete.

Blago markize ob robovih ne sme biti povešeno, temveč mora biti na vseh mestih napeto. Če je blago povešeno, se lahko drgne ob roke in poškoduje.

Pri dolgih markizah je lahko blago povešeno na sredini.

Postavljanje opor na tla



OPOZORILO! Nevarnost poškodb

- Opore postavite samo na trdno podlago.
- Zavarujte opore, da ne bodo zdrsnile.

- ▶ Opore postavite navpično pod glavno vodilo.
- ▶ Opore zavarujte s klini (sl. **9**, stran 6).
- ▶ Eno oporo postavite nekoliko nižje, da bo glavno vodilo nekoliko pod kotom. Tako bo dež lahko brez težav odtekal (sl. **10**, stran 6).

Pritrjevanje opor na vozilo

Markizo lahko pritrdite neposredno na vaše vozilo, če ste že montirali zapaha za opore.

- ▶ Potisnite pokrov zapaha navzgor (sl. **11**, stran 7).
- ▶ Opore vstavite v zapah (sl. **11**, stran 7).
- ▶ Potisnite pokrov zapaha navzdol (sl. **11**, stran 7).
- ▶ Eno oporo postavite nekoliko nižje, da bo glavno vodilo nekoliko pod kotom. Tako bo dež lahko brez težav odtekal (sl. **12**, stran 7).

Montiranje napenjalnega droga (sl. 13, stran 7)

Pri markizah z dolžino 4 metre ali več je treba na sredino markize pritrditi napenjalni škarnik. Ta preprečuje, da bi se markiza povescila.

- Sestavite napenjalni škarnik.
- Zgornji konec napenjalnega droga se mora zaskočiti v nastavek na ohišju.
- Potisnite drugi konec napenjalnega škarnika v nastavek na glavnem vodilu.

7.3 Uvlečenje markize



OBVESTILO!

- Markizo uvlecite le, če na blagu ni odpadnega materiala (vej, listja in podobnega). V nasprotnem primeru se lahko markiza poškoduje.
- Z markize odstranjujte umazanijo, da preprečite nastajanje odrgrnin, madežev in plesni.
- Pri uvlečenju markize pazite, da se vanjo ne bodo zapletle veje ali drugi predmeti.

- Z blaga odstranite odpadni material (veje, listje ali podobno).
- Sprostite opore iz pritrdilnih elementov (kline ali zapave na vozilu).

Uvlečenje markize z ročico

- Zgornji konec ročice mora zaskočiti v držalu markize.
- Vrtite ročico, dokler ni markiza izvlečena samo še približno 1,5 metra. Opore na vsakih 30 cm postavite navpično pod glavno vodilo, da markiza ostane fiksirana.
- Zložite ročaj desne opore, da jo sprostite.
- Opore potisnite do konca skupaj.
- Zložite desno oporo.
- Obrnite desno oporo v glavno vodilo.
- Potisnite spodnji del desne opore v zapah glavnega vodila.
- Na enak način uvlecite še drugo oporo.
- Vrtite ročico, dokler ni markiza do konca uvlečena.

- ▶ Pred začetkom vožnje se prepričajte, ali je markiza do konca uvlečena. Glavno vodilo mora biti tesno ob ohišju.
- ▶ Snemite ročico z držala na markizi.



OBVESTILO! Pazite, da ničesar ne poškodujete.

Če je markiza uvlečena, ko je mokra, jo izvlecite in pustite, da se blago posuši, ko bo to mogoče. Če ostane mokro blago dlje časa zvito, se bo začela nabirati plesen, barve pa lahko zbledijo.

Uvlečenje markize z uporabo 12-voltnega motorja (samo za PW1500/PW1750, izbirno)

- ▶ Pritisnite gumb \triangle na stikalu ali daljinskem upravljalniku, dokler se markiza ne iztegne za približno 1,5 metra. Opre na vsakih 30 cm postavite navpično pod glavno vodilo, da markiza ostane fiksirana.
- ▶ Zložite ročaj desne opore, da jo sprostite.
- ▶ Opre potisnite do konca skupaj.
- ▶ Zložite desno oporo.
- ▶ Obrnite desno oporo v glavno vodilo.
- ▶ Potisnite spodnji del desne opore v zapah glavnega vodila.
- ▶ Na enak način uvlecite še drugo oporo.
- ▶ Pritisnite gumb \triangle na stikalu ali daljinskem upravljalniku, dokler se markiza ne uvleče do konca.
- ▶ Pred začetkom vožnje se prepričajte, ali je markiza do konca uvlečena. Glavno vodilo mora biti tesno ob ohišju.



OBVESTILO! Pazite, da ničesar ne poškodujete.

Če je markiza uvlečena, ko je mokra, jo izvlecite in pustite, da se blago posuši, ko bo to mogoče. Če ostane mokro blago dlje časa zvito, se bo začela nabirati plesen, barve pa lahko zbledijo.

7.4 Razvijanje roloja (samo za PW1750)

- ▶ Odpnite zapah na sredini glavnega vodila (sl. **14**, stran 8).
 - ▶ Potisnite držali na levi in desni strani v vodila roloja (sl. **15**, stran 8).
 - ▶ Napenjalne trakove ali vrvice napeljite skozi zanke držal (sl. **15**, stran 8).
 - ▶ Z obema rokama primite za vodila in povlecite rolo navzdol (sl. **16**, stran 8). Največja višina izvlečenja je 1,2 m.
 - ▶ Z oporami pritrdite držali na desni in levi strani (sl. **17**, stran 9).
- ali**
- ▶ Vrvce pritrdite s klini (sl. **18**, stran 9).

7.5 Zvijanje roloja (samo za PW1750)

- ▶ Sprostite pritrdilne elemente roloja.
- ▶ Povlecite rolo navzdol (sl. **19**, stran 9).
- ✓ Rolo se samodejno zvije v glavno vodilo.
- ▶ Držali na desni in levi strani povlecite iz vodila (sl. **20**, stran 10).
- ▶ Zapnite zapah na sredini glavnega vodila (sl. **21**, stran 10).



OBVESTILO! Pazite, da ničesar ne poškodujete.

Če ste zvili moker rolo, ga ob naslednji priložnosti znova razvijte, da se blago posuši. Če ostane mokro blago dlje časa zvito, se bo začela nabirati plesen, barve pa lahko zbledijo.

7.6 Nastavljanje 12 V motorja (samo za PW1500/PW1750, izbirno)



NASVET

12-voltni motor je že vgrajen v navijalno cev.

- ▶ Če se markiza več ne zapre ali odpre do konca, nastavite 12-voltni motor (sl. **22**, stran 10).

7.7 Zamenjava baterij v daljinskem upravljalniku in stenskem stikalu (samo za PW1500/PW1750, izbirno)



NASVET

Če se LED-lučka na daljinskem upravljalniku več **ne** prižge, ko pritisnete katerega od gumbov, je baterija v daljinskem upravljalniku prazna.

- ▶ Odprite ohišje (sl. **23** 1, stran 11).
- ▶ Staro baterijo vzemite iz držala.
- ▶ Vstavite novo baterijo (tipa CR2450 za daljinski upravljalnik, tipa CR2430 za stensko stikalo, sl. **23** 2, stran 11) v držalo, pozitivni priključek pa naj bo obrnjen navzgor.
- ▶ Zaprite daljinski upravljalnik oziroma stensko stikalo.



Varujte vaše okolje!

Akumulatorji in baterije ne sodijo med gospodinske odpadke.

Okvarjene akumulatorje ali izrabljene baterije oddajte pri trgovcu ali na zbirno mesto.

8 Čiščenje in vzdrževanje

8.1 Čiščenje

**OBVESTILO! Pazite, da ničesar ne poškodujete.**

- Markize **nikoli** ne čistite z visokotlačnim čistilnikom.
- Za čiščenje ne uporabljajte agresivnih čistil ali trdih predmetov, saj lahko poškodujejo izdelek.

- Ves odpadni material (veje, listje ali podobno) odstranite z blaga markize, da preprečite nastajanje odrgnin, madežev in plesni. Markiza se lahko poškoduje tudi, ko je uvlečena.
- Redno čistite blago markize, da odstranite prah in umazanijo:
 - Za čiščenje uporabite vodo s 30 ml detergenta in 30 ml belila v 10 litrih vode.
 - Čistilno tekočino nanesite na blago in pustite delovati pet minut.
 - Nato temeljito sperite s čisto vodo.
Preverite, ali ste sprali ves detergent z belilom. V nasprotnem primeru se blago lahko poškoduje.
 - Počakajte, da se blago posuši.

**NASVET**

Proizvajalec priporoča:

Za čiščenje blaga uporabite čistilo za markize Dometic (referenčna št. 9600000165, na voljo pri vašem servisnem partnerju).

8.2 Mazanje

- Po potrebi namažite zglobe markize s parafinskim voskom, teflonskim ali silikon-skim oljem.

8.3 Pregledovanje

**OPOZORILO!**

Markize ne uporabljajte, če jo je treba nastaviti ali popraviti.

Če opazite poškodbe, se obrnite na servisnega partnerja v vaši državi (naslovi so navedeni na hrbtani strani navodil).



NASVET

Dodatna oprema Dometic, kot so tesnilni spoji ali penasti trakovi, je izpostavljena obrabi zaradi okoljskih vplivov. To ni primer slabe kakovosti. Da bi zagotovili delovanje teh delov, Dometic priporoča, da gumijasta tesnila in penaste trakove zamenjate vsakih 5 let.

- ▶ Markizo redno pregledujte, če je kje neuravnotežena ter obrabljena in če so pomembnejši deli morda poškodovani.
- ▶ Na markizi redno pregledujte:
 - Je blago nepoškodovano?
 - So ročice in glavno vodilo nepoškodovani in ne kažejo znakov obrabe?
 - Se markiza pravilno zapira?

8.4 Privijanje vijake na zadnjem tečaju

Po prvih obremenitvah je treba vijake na zadnjem tečaju znova priviti:

- po prvem dopustu, ko ste markizo uporabili;
- po 20000 km vožnje ali šestih mesecih po vgradnji markize (kaj od tega nastopi prej).

Vijake na zadnjem tečaju je treba preveriti tudi ob rednih servisih pregledih vozila.

Za privijanje vijakov se obrnite na vašo servisno službo.

Navodila za servisiranje (sl. 24, stran 11)



OBVESTILO!

Roki markize morata biti razbremenjeni. S tem preprečite neustrezen privijalni navor vijakov.

- ▶ Nekoliko dvignite glavno vodilo, da razbremenite tečaj.
- ▶ Vijake privijte z navorom 15 – 25 Nm.

8.5 Krpanje majhnih lukenj v blagu

Majhne luknje in mesta, s katerih je odstopil premaz, lahko zakrpate sami:

- ▶ Z bombažno krpo premažite predel okrog poškodovanega mesta z majhno količino tekočega vinilnega obliža (referenčna št. 9103104018, na voljo pri vašem servisnem partnerju).
- ✓ Tekoči vinilni obliž raztopi premaz. Premaz zapre luknjo, ko se posuši.

- Preden uvlečete markizo, počakajte, da se ta predel posuši.

9 Odpravljanje težav



NASVET

Če težave ne uspete odpraviti s pomočjo tabele v nadaljevanju, se obrnite na servisnega partnerja v vaši državi (naslovi so navedeni na hrbtni strani navodil).

Motnja	Možni vzrok	Predlagani ukrep za odpravo napake
Samo za PW1500/PW1750: Motor se ne odziva na ukaze iz daljinskega upravljalnika.	Baterija v daljinskem upravljalniku je prazna.	Na kratko pritisnite gumb \triangle ali ∇ . Če se LED-lučka na daljinskem upravljalniku ne prižge, je baterija prazna. Zamenjajte baterijo; glejte razdelek pogl. „Zamenjava baterij v daljinskem upravljalniku in stenskem stikalu (samo za PW1500/PW1750, izbirno)“ na strani 329.
	Daljinski upravljalnik ni več ali je napačno nastavljen za motor.	Znova programirajte daljinski upravljalnik; glejte navodila za montažo.
	Ni napajanja	Preverite električne priključke.
	Motor je pokvarjen.	Ročno uvlecite markizo in se obrnite na servisnega partnerja v vaši državi.

10 Garancija

Velja zakonsko določen garancijski rok. Če je izdelek pokvarjen, se obrnite na svojega trgovca ali podružnico proizvajalca v svoji državi (glejte dometic.com/dealer).

Za obravnavanje zahtevkov popravil oz. garancijskih zahtevkov morate skupaj z aparatom poslati naslednjo dokumentacijo:

- kopijo računa z datumom nakupa,
- razlog za reklamacijo ali opis napake.

11 Odstranjevanje

- ▶ Embalažni material odložite na primernem mestu za zbiranje odpadkov za reciklažo.



Ko dokončno prenehate uporabljati napravo in jo nameravate zavreči, se o veljavnih okoljskih predpisih posvetujte z najbližjim središčem za zbiranje odpadkov za reciklažo ali pri svojem trgovcu.


12 Tehnični podatki

PerfectWall PW1000					
Širina:	2,6 m	3 m	3,5 m	4 m	4,5 m
Izvlačeno:	2 m	2,5 m			
Teža:	18,6 kg	21 kg	24 kg	27 kg	30 kg

PerfectWall PW1500				
Širina:	1,5 m	2,6 m	3 m	3,5 m
Izvlačeno:	1 m	2 m	2,5 m	2,5 m / 2,75 m
Teža:	12 kg	18 kg	21 kg	24 kg

PerfectWall PW1500				
Širina:	4 m	4,5 m	5 m	5,5 m
Izvlačeno:	2,5 m / 2,75 m			
Teža:	27 kg	30 kg	33 kg	36 kg

PerfectWall PW1750			
Širina:	3 m	3,5 m	4 m
Izvlačeno:	2,5 m		
Teža:	26 kg	30 kg	33 kg

12-voltni motor (samo za PW1500 in PW1750)	
Priključna napetost:	12 V $\overline{=}$ (11 – 15 V)
Jakost toka:	7 A
Izhodna moč:	84 W
Navor:	35 Nm
Pregled/certifikat:	

Παρακαλούμε να διαβάσετε προσεκτικά αυτές τις οδηγίες και να ακολουθήσετε όλες τις οδηγίες, τους κανονισμούς και τις προειδοποιήσεις που περιλαμβάνονται στο εγχειρίδιο αυτού του προϊόντος, έτσι ώστε να διασφαλίζεται πάντοτε η σωστή εγκατάσταση, χρήση και συντήρηση του προϊόντος. Αυτές οι οδηγίες ΠΡΕΠΕΙ πάντοτε να συνοδεύουν το προϊόν.

Με τη χρήση του προϊόντος επιβεβαιώνετε δια του παρόντος ότι έχετε διαβάσει προσεκτικά όλες τις οδηγίες, τους κανονισμούς και τις προειδοποιήσεις καθώς και ότι έχετε κατανοήσει και συμφωνείτε να τηρήσετε τους όρους και τις προϋποθέσεις που ορίζονται στο παρόν έγγραφο. Συμφωνείτε να χρησιμοποιείτε αυτό το προϊόν μόνο για τον προβλεπόμενο σκοπό και την προβλεπόμενη χρήση, πάντοτε σύμφωνα με τις οδηγίες, τους κανονισμούς και τις προειδοποιήσεις που ορίζονται στο παρόν εγχειρίδιο προϊόντος καθώς και σύμφωνα με όλους τους ισχύοντες νόμους και κανονισμούς. Σε περίπτωση μη ανάνηψης και τήρησης των οδηγιών και των προειδοποιήσεων που ορίζονται στο παρόν έγγραφο, ενδέχεται να προκληθούν τραυματισμοί σε εσάς τον ίδιο και σε τρίτους, ζημιά στο προϊόν σας ή υλικές ζημιές σε άλλες ιδιοκτησίες στο άμεσο περιβάλλον. Αυτό το εγχειρίδιο προϊόντος, συμπεριλαμβανομένων των οδηγιών, των κανονισμών, των προειδοποιήσεων και των σχετικών εγγράφων, ενδέχεται να υποβληθεί σε τροποποιήσεις και ενημερώσεις. Για τις ενημερωμένες πληροφορίες προϊόντος, παρακαλούμε να επισκεφθείτε την ηλεκτρονική διεύθυνση dometic.com.



ΠΡΟΕΙΔΟΠΟΙΗΣΗ!

- Αυτό το εγχειρίδιο οδηγιών θα πρέπει να το μελετήσετε και να το κατανοήσετε πριν από τη χρήση, τον καθαρισμό και τη συντήρηση της συσκευής.
- Η τοποθέτηση αυτού του προϊόντος πρέπει να γίνεται από ειδικό. Η λανθασμένη τοποθέτηση μπορεί να έχει ως αποτέλεσμα σοβαρούς τραυματισμούς. Οι μετατροπές στο προϊόν μπορεί να αποβούν ιδιαίτερα επικίνδυνες και να προκαλέσουν σοβαρούς τραυματισμούς ή ζημιές στη συσκευή.
- Αυτό το εγχειρίδιο οδηγιών πρέπει να φυλάσσεται μαζί με το προϊόν. Ο ιδιοκτήτης πρέπει να το μελετήσει προσεκτικά.

Περιεχόμενα

1	Επεξήγηση των συμβόλων	336
2	Υποδείξεις ασφαλείας	337
3	Περιεχόμενα συσκευασίας	340
4	Προαιρετικά εξαρτήματα	340
5	Προβλεπόμενη χρήση	341
6	Τεχνική περιγραφή	342
7	Χειρισμός της τέντας	343
7.1	Υποδείξεις για τη θέση του οχήματος	343
7.2	Άνοιγμα της τέντας	343
7.3	Κλείσιμο της τέντας	346
7.4	Ξετύλιγμα του ρολού ηλιοπροστασίας (μόνο PW1750)	348
7.5	Τύλιγμα του ρολού ηλιοπροστασίας (μόνο PW1750)	349
7.6	Ρύθμιση του μοτέρ 12 V (μόνο PW1500/PW1750, προαιρετικό)	349
7.7	Αντικατάσταση μπαταριών του τηλεχειριστηρίου και του διακόπτη τοίχου (μόνο PW1500/PW1750, προαιρετικό)	349

8	Καθαρισμός και συντήρηση	350
8.1	Καθαρισμός	350
8.2	Λίπανση	351
8.3	Έλεγχος	351
8.4	Επανασύσφιξη των βιδών στην άρθρωση ώμου	352
8.5	Μπάλωμα μικρών τρυπών στο πανί	352
9	Αντιμετώπιση βλαβών	353
10	Εγγύηση	353
11	Απόρριψη	354
12	Τεχνικά χαρακτηριστικά	354

1 Επεξήγηση των συμβόλων



ΠΡΟΕΙΔΟΠΟΙΗΣΗ!

Υπόδειξη ασφαλείας για μια επικίνδυνη κατάσταση, η οποία μπορεί να έχει ως συνέπεια την πρόκληση θανάτου ή σοβαρού τραυματισμού, εάν δεν αποφευχθεί.



ΠΡΟΣΟΧΗ!

Υπόδειξη για μια κατάσταση, η οποία μπορεί να έχει ως συνέπεια την πρόκληση υλικών ζημιών, εάν δεν αποφευχθεί.



ΥΠΟΔΕΙΞΗ

Συμπληρωματικές πληροφορίες για το χειρισμό του προϊόντος.

2 Υποδείξεις ασφαλείας

Τηρείτε τις προβλεπόμενες οδηγίες και προϋποθέσεις ασφαλείας, που ορίζονται από τον κατασκευαστή του οχήματος και τα συνεργεία συντήρησης.



ΠΡΟΕΙΔΟΠΟΙΗΣΗ! Η μη τήρηση αυτών των προειδοποιήσεων ενδέχεται να έχει ως αποτέλεσμα την πρόκληση θανάτου ή σοβαρού τραυματισμού.

Κίνδυνος για την υγεία

- Πριν ξεκινήσετε την οδήγηση, πρέπει να βεβαιώνετε ότι η τέντα έχει κλείσει εντελώς. Μην μετακινείτε ποτέ το όχημα με την τέντα ανοιγμένη.
- Μην οδηγείτε ποτέ με τημανιβέλα κρεμασμένη. Αφαιρείτε πάντα τημανιβέλα πριν ξεκινήσετε το όχημα.
- Μην οδηγείτε το όχημα εάν το πανί έχει πάθει ζημιές ή έχει σκιστεί, ακόμη και εάν η τέντα είναι κλεισμένη σωστά. Οι βραχίονες της τέντας συγκρατούνται από το πανί. Εάν το πανί σκιστεί κατά τη διάρκεια της οδήγησης, η τέντα θα πεταχτεί ξαφνικά προς τα έξω. Αυτό μπορεί να έχει ως αποτέλεσμα σοβαρούς τραυματισμούς. Στερεώνετε την τέντα κατά τέτοιο τρόπο, ώστε να μην μπορεί να ανοίξει απότομα και απρόσμενα κατά την οδήγηση.
- **Μην** ανοίγετε την τέντα κατά τη διάρκεια της οδήγησης.
- Προσέξτε να μη μαζευτεί νερό ή χιόνι επάνω στο πανί. Διαφορετικά η τέντα μπορεί να υποστεί ζημιά ή να σπάσουν οι βραχίονες της και να προκληθούν εξαιτίας αυτού σοβαροί ή θανατηφόροι τραυματισμοί.
- Μην πλησιάζετε την τέντα
 - εάν έμεινε ανοικτή, ενώ έπνεαν ισχυροί άνεμοι,
 - εάν επάνω της έχουν σχηματιστεί λιμνούλες νερού,
 - εάν επάνω της έχει συσσωρευτεί χιόνι,
 - εάν το πανί της τέντας παρουσιάζει έντονη ρύπανση.
 Σε μια τέτοια περίπτωση, η τέντα μπορεί να μετακινηθεί απρόσμενα, να γίνει ασταθής και να στραβώσει ή να σπάσει.
- Αυτή η συσκευή μπορεί να χρησιμοποιηθεί από παιδιά ηλικίας 8 ετών και επάνω και άτομα με μειωμένες φυσικές, αισθητηριακές ή πνευματικές ικανότητες ή με έλλειψη εμπειρίας και γνώσεων, εάν επιτηρούνται ή τους έχουν δοθεί οδηγίες σχετικά με τη χρήση της συσκευής με ασφαλή τρόπο και κατανοούν τους σχετικούς κινδύνους.

- Τα παιδιά πρέπει να επιτηρούνται, για να διασφαλίζεται ότι δεν παίζουν με τη συσκευή.

Κίνδυνος ηλεκτροπληξίας

- **Προαιρετικό για PW 1500/PW 1750:** Εάν το καλώδιο σύνδεσης της τέντας έχει υποστεί ζημιά, πρέπει να αντικατασταθεί από ειδικευμένο τεχνικό.
- **Προαιρετικό για PW 1500/PW 1750:** Πριν καθαρίσετε το όχημα στην περιοχή της τέντας ή την ίδια την τέντα, απενεργοποιήστε την ηλεκτρική τροφοδοσία από τον διακόπτη.
- **Προαιρετικό για PW 1500/PW 1750: Οι ηλεκτρικές συσκευές δεν είναι παιχνίδια.**
Το τηλεχειριστήριο πρέπει να φυλάσσεται μακριά από τα παιδιά. Μην αφήνετε τα παιδιά να παίζουν με το διακόπτη τοίχου (προαιρετικό εξάρτημα).



ΠΡΟΦΥΛΑΞΗ! Η μη τήρηση αυτών των συστάσεων ενδέχεται να έχει ως αποτέλεσμα την πρόκληση ελαφρού ή μέτριου τραυματισμού.

Κίνδυνος για την υγεία

- **Μην** ανοίγετε την τέντα με ισχυρούς ανέμους ή χιονόπτωση.
- Όταν αναμένονται ισχυροί άνεμοι, δυνατή βροχή ή χιονόπτωση κλείνετε την τέντα.
- Μην αφήνετε ανεπιτήρητη την τέντα, όταν είναι ανοιγμένη. Κλείνετε την τέντα, όταν φεύγετε από το χώρο στάθμευσης.
- Διατηρήστε απόσταση ασφαλείας από την τέντα, όταν χρησιμοποιείτε γκριλ ή ανοιχτή φωτιά. Το πανί μπορεί να υποστεί ζημιές από τη θερμότητα ή να πιάσει φωτιά.
- Μην ακουμπάτε τα κινούμενα μέρη κατά τη λειτουργία της τέντας. Υπάρχει κίνδυνος πρόκλησης τραυματισμών από τα κινούμενα μέρη.
- **Προαιρετικό για PW 1500/PW 1750:** Η τέντα πρέπει να τίθεται σε λειτουργία μόνο όταν μπορείτε να δείτε το προϊόν απευθείας από τον εξωτερικό χώρο



ΠΡΟΣΟΧΗ! Κίνδυνος πρόκλησης ζημιάς

- Παρκάρετε το αυτοκινούμενο ή συρόμενο τροχόσπιτο σε σημεία, στα οποία δεν είναι δυνατόν να πέσουν επάνω στο τεντόπανο ξένα σώματα (κλαδιά, φύλλα κλπ.).

- Το πανί της τέντας δεν επιτρέπεται να κρέμεται κάνοντας «κοιλιά» στα άκρα, αλλά πρέπει να παραμένει πάντοτε τεντωμένο. Εάν το πανί κρέμεται, μπορεί να τρίβεται επάνω στους βραχίονες και να φθαρεί.
Σε μακριές τέντες, το πανί ενδέχεται να κάνει «κοιλιά» στη μέση.
- Κλείνετε την τέντα μόνο εφόσον δεν υπάρχουν ξένα σώματα επάνω στο τεντόπανο (κλαδιά, φύλλα κλπ.). Διαφορετικά η τέντα μπορεί να υποστεί ζημιά κατά το κλείσιμο.
- Διατηρήστε την τέντα καθαρή από ξένα σώματα, ώστε να αποφεύγονται τα γδαρσίματα, οι λεκέδες και η μούχλα.
- Όταν η τέντα είναι βρεγμένη, επιτρέπεται να κλείνεται μόνο για λόγους ασφαλείας. Ανοίξτε την και πάλι αμέσως το συντομότερο δυνατόν. Διαφορετικά μπορεί να σχηματιστούν σημεία μούχλας ή λεκέδες και το χρώμα μπορεί να ξεθωριάσει.
- Μη λυγίζετε ποτέ προς τα κάτω τους βραχίονες της τέντας ή το κάλυμμα, για να φύγει το νερό επάνω από την τέντα. Η τέντα μπορεί να στραβώσει και να μη λειτουργεί πλέον σωστά.
- Μην κρεμάτε αντικείμενα επάνω στην τέντα ή επάνω στο μπροστινό κάλυμμα και στους βραχίονες της τέντας.
- Μη χρησιμοποιείτε σπρέι (π.χ. εντομοκτόνα ή σπρέι μαλλιών) κοντά στην τέντα. Το πανί μπορεί να λερωθεί ή να προκληθεί απώλεια της υδροαπωθητικής του ιδιότητας.
- Εάν μετά από την τοποθέτηση της τέντας δεν υπάρχει επαρκής ελεύθερος χώρος επάνω από την πόρτα, η πόρτα θα πρέπει να παραμένει κλειστή κατά το άνοιγμα ή το κλείσιμο της τέντας, ώστε να αποτρέπεται η επαφή της πόρτας με τους βραχίονες ή την μπροστινή ράβδο.
Ο απαιτούμενος ελεύθερος χώρος εξαρτάται από τον τύπο της πόρτας (πλάτος πόρτας, στρεφόμενη ή συρόμενη πόρτα) καθώς και από τη ρυθμισμένη γωνία κλίσης της τέντας.

3 Περιεχόμενα συσκευασίας

Ποσότητα	Περιγραφή
1	Τέντα
1	Μανιβέλα (μόνο για τέντες χωρίς μοτέρ)
1	Δοκός τεντώματος (μόνο για τέντες μήκους πάνω από 4 m)
1	Τηλεχειριστήριο (μόνο για PW 1500/PW 1750, προαιρετικό)
1	Διακόπτης τέντας (μόνο PW 1500/PW 1750, προαιρετικό)
4	Πασσαλάκια
1	Εγχειρίδιο χρήσης
1	Εγχειρίδιο τοποθέτησης

4 Προαιρετικά εξαρτήματα

Διαθέσιμος πρόσθετος εξοπλισμός (δεν περιλαμβάνονται στη συσκευασία):

Περιγραφή
TieDown Kit Ιμάντες για τη στερέωση της τέντας στο έδαφος
CampRoom Μπροστινό τοίχωμα τέντας και πλευρικά τοιχώματα για διάφορα μοντέλα με σκέλη στήριξης σε διάφορα μεγέθη
RainProtect Μπροστινό τοίχωμα και πλευρικά τοιχώματα σε διάφορα μεγέθη
SunProtect Μπροστινό τοίχωμα και πλευρικά τοιχώματα σε διάφορα μεγέθη
Rollo+ (όχι για PW 1750) Ρολό ηλιοπροστασίας
Dometic Light LK 120 Σετ φωτισμού LED με τηλεχειριστήριο για τοποθέτηση στους βραχίονες της τέντας
LED LightStrip Λωρίδα φωτισμού LED διαθέσιμη σε διάφορα μήκη για τοποθέτηση στην κάτω πλευρά της τέντας

Περιγραφή

Led Profile

Φωτιστικό LED διαθέσιμο σε διάφορα μήκη για τοποθέτηση στην κάτω πλευρά των τεντών τοίχου

Καθαριστικό τέντας

Ειδικό καθαριστικό τέντας

Repair Kit

Μπάλωμα επισκευής τέντας

5 Προβλεπόμενη χρήση

Οι τέντες PerfectWall PW1000, PW1500 και PW1750 είναι κατάλληλες για εγκατάσταση σε αυτοκινούμενα ή συρόμενα τροχόσπιτα.

Οι τέντες επιτρέπεται να χρησιμοποιούνται μόνο όσο το όχημα είναι σταθμευμένο.

Αυτό το προϊόν είναι κατάλληλο μόνο για τον προβλεπόμενο σκοπό και την προβλεπόμενη χρήση σύμφωνα με αυτές τις οδηγίες.

Αυτό το εγχειρίδιο παρέχει πληροφορίες που είναι απαραίτητες για τη σωστή εγκατάσταση και χρήση του προϊόντος. Τυχόν μη ενδεδειγμένη εγκατάσταση, χρήση ή/και συντήρηση θα έχει ως συνέπεια την ανεπαρκή απόδοση και ενδεχομένως την πρόκληση βλάβης.

Ο κατασκευαστής δεν αποδέχεται καμία ευθύνη για τυχόν τραυματισμούς ή ζημιές στο προϊόν, που οφείλονται σε:

- Λανθασμένη συναρμολόγηση ή σύνδεση, συμπεριλ. της υπερβολικά υψηλής τάσης
- Λανθασμένη συντήρηση ή χρήση μη αυθεντικών ανταλλακτικών εξαρτημάτων, που δεν προέρχονται από τον κατασκευαστή
- Μετατροπές στο προϊόν χωρίς τη ρητή άδεια του κατασκευαστή
- Χρήση για σκοπούς διαφορετικούς από αυτούς που περιγράφονται σε αυτό το εγχειρίδιο

Η Dometic διατηρεί το δικαίωμα αλλαγής της εμφάνισης και των προδιαγραφών του προϊόντος.

6 Τεχνική περιγραφή

Οι PerfectWall PW 1000, PW 1500 και PW 1750 είναι τέντες που μπορούν να ανοίγονται και να μαζεύονται με μανιβέλα.

Οι τέντες PerfectWall PW 1500 και PW 1750 μπορούν προαιρετικά να ανοίγονται και να μαζεύονται με μοτέρ 12 V που ελέγχεται από διακόπτη ή τηλεχειριστήριο.

Η τέντα στερεώνεται με υποστηρίγματα στον τοίχο του οχήματος ή στο δάπεδο.

Η τέντα PW 1750 διαθέτει στην μπροστινή ράβδο ένα ενσωματωμένο ρολό ηλιοπροστασίας, το οποίο μπορεί να τραβηχθεί έξω για προστασία από τη βροχή ή τον ήλιο.

Εντολές τηλεχειριστηρίου (μόνο για PW1500/PW1750, προαιρετικό)

Θέση στο σχ. 1, σελίδα 3	Περιγραφή
1	Κλείσιμο της τέντας
2	Στοπ
3	Άνοιγμα της τέντας
4	Ενεργοποίηση / απενεργοποίηση φωτισμού LED (προαιρετικό)

Εντολές διακόπτη (μόνο για PW1500/PW1750, προαιρετικό)

Θέση στο σχ. 1, σελίδα 3	Περιγραφή
1	Κλείσιμο της τέντας
2	Στοπ
3	Άνοιγμα της τέντας

7 Χειρισμός της τέντας

Προσέξτε επίσης τις οδηγίες ασφαλείας στο κεφάλαιο «Υποδείξεις ασφαλείας» στη σελίδα 337.

7.1 Υποδείξεις για τη θέση του οχήματος



ΠΡΟΣΟΧΗ!

- Σταθμεύστε το όχημα κατά τέτοιον τρόπο, ώστε να μην μπορούν να πέσουν ξένα σώματα (κλαδιά, φύλλα κλπ.) επάνω στο τεντόπανο.
- Διατηρήστε την τέντα καθαρή από ξένα σώματα, ώστε να αποφεύγονται τα γδαρσίματα, οι λεκέδες και η μούχλα.

7.2 Άνοιγμα της τέντας

Άνοιγμα της τέντας με μανιβέλα



ΠΡΟΕΙΔΟΠΟΙΗΣΗ! Κίνδυνος τραυματισμού.

Διατηρήστε επαρκή απόσταση από αντικείμενα ή άλλα οχήματα. Η ανοιγμένη τέντα θα πρέπει να έχει ελάχιστη απόσταση 40 cm από άλλα αντικείμενα και οχήματα προς όλες τις πλευρές.

- Στερεώστε τη μανιβέλα στην υποδοχή της τέντας (σχ. **2**, σελίδα 3).
- Γυρίστε τη μανιβέλα ώσπου η τέντα να ανοίξει περίπου 1,5 m (σχ. **3**, σελίδα 4).
- Συμπιέστε εντελώς το δεξιό υποστήριγμα στο μπροστινό κάλυμμα, για να μπορέσετε να το κινήσετε ελεύθερα (σχ. **5**, σελίδα 5).
- Περιστρέψτε το δεξιό υποστήριγμα στο πλάι (σχ. **5**, σελίδα 5).
- Περιστρέψτε το δεξιό υποστήριγμα προς τα κάτω και στηρίξτε το στο έδαφος (σχ. **6**, σελίδα 5).
- Ρυθμίστε το υποστήριγμα στο επιθυμητό ύψος (σχ. **7**, σελίδα 6).
- Περιστρέψτε τον μοχλό του υποστηρίγματος προς τα επάνω, για να σταθεροποιήσετε το υποστήριγμα (σχ. **8**, σελίδα 6).
- Ανοίξτε και το άλλο υποστήριγμα με τον ίδιο τρόπο.

- ▶ Γυρίστε τημανιβέλαώσπουητένταναανοίξειστηνεπιθυμητήθέση.Στερεώστεξανάταυποστηρίγματακατακόρυφακάτωαπότημπροστινήράβδοκάθε30cmέτσιώστεητένταναστέκεταισταθεράσυνεχώς.
- ▶ Γυρίστε τημανιβέλαπερίπουκατάένατέταρτομιαςπεριστροφήςπροςταπίσω,γιανατεντωθείτοπανί.

**ΠΡΟΣΟΧΗ! Προσοχή στις ζημιές.**

Το πανί της τέντας δεν επιτρέπεται να κρέμεται κάνοντας «κοιλιά» στα άκρα, αλλά πρέπει να παραμένει πάντοτε τεντωμένο. Εάν το πανί κρέμεται, μπορεί να τρίβεται επάνω στους βραχίονες και να φθαρεί.

Σε μακριές τέντες, το πανί ενδέχεται να κάνει «κοιλιά» στη μέση.

- ▶ Βγάλτε τημανιβέλααπότηνυποδοχήτηςτέντας.

Άνοιγμα της τέντας με μοτέρ 12 V (μόνο PW1500/PW1750, προαιρετικό)**ΠΡΟΕΙΔΟΠΟΙΗΣΗ! Κίνδυνος τραυματισμού.**

Διατηρήστε επαρκή απόσταση από αντικείμενα ή άλλα οχήματα. Η ανοιγμένη τέντα θα πρέπει να έχει ελάχιστη απόσταση 40 cm από άλλα αντικείμενα και οχήματα προς όλες τις πλευρές.

**ΥΠΟΔΕΙΞΗ****Μόνο για λειτουργία με το τηλεχειριστήριο:**

- Όταν το όχημα εκκινηθεί, η τέντα μαζεύεται αυτόματα. Όσο το όχημα λειτουργεί, η τέντα παραμένει ασφαλισμένη και δεν μπορεί να ανοίξει.
 - Ο δέκτης ηχεί μία φορά, όταν είναι ενεργοποιημένη.
 - Η λειτουργία του τηλεχειριστηρίου μπορεί να επηρεαστεί από παρεμβολές, εάν στο άμεσο περιβάλλον υπάρχει άλλη συσκευή, που χρησιμοποιεί την ίδια συχνότητα.
 - Φυλάξτε το τηλεχειριστήριο σε ασφαλές μέρος κατά την οδήγηση. Ο μαγνήτης στη θήκη δεν είναι σχεδιασμένος για ισχυρούς κραδασμούς, όπως ξαφνικό φρενάρισμα.
- ▶ Πιέστε το πλήκτρο ▽ του διακόπτη ή το τηλεχειριστήριο μέχρι να ανοίξει η τέντα περίπου 1,5 μέτρο (σχ. **4**, σελίδα 4).
 - ▶ Συμπιέστε εντελώς το δεξιό υποστήριγμα στο μπροστινό κάλυμμα, για να μπορέσετε να το κινήσετε ελεύθερα (σχ. **5**, σελίδα 5).
 - ▶ Περιστρέψτε το δεξιό υποστήριγμα στο πλάι (σχ. **5**, σελίδα 5).

- ▶ Περιστρέψτε το δεξιό υποστηρίγμα προς τα κάτω και στηρίξτε το στο έδαφος (σχ. **6**, σελίδα 5).
- ▶ Ρυθμίστε το υποστηρίγμα στο επιθυμητό ύψος (σχ. **7**, σελίδα 6).
- ▶ Περιστρέψτε τον μοχλό του υποστηρίγματος προς τα επάνω, για να σταθεροποιήσετε το υποστηρίγμα (σχ. **8**, σελίδα 6).
- ▶ Ανοίξτε και το άλλο υποστηρίγμα με τον ίδιο τρόπο.
- ▶ Πιέστε το πλήκτρο ∇ στον διακόπτη ή στο τηλεχειριστήριο, μέχρι να ανοίξει η τέντα στην απαιτούμενη θέση. Στερεώστε ξανά τα υποστηρίγματα κατακόρυφα κάτω από τη μπροστινή ράβδο κάθε 30 cm έτσι ώστε η τέντα να στέκεται σταθερά συνεχώς.
- ▶ Πατήστε το πλήκτρο ∇ στον διακόπτη ή στο τηλεχειριστήριο, μέχρις ότου η τέντα κλείσει αρκετά, ώστε να τεντωθεί το πανί.



ΠΡΟΣΟΧΗ! Προσοχή στις ζημιές.

Το πανί της τέντας δεν επιτρέπεται να κρέμεται κάνοντας «κοιλιά» στα άκρα, αλλά πρέπει να παραμένει πάντοτε τεντωμένο. Εάν το πανί κρέμεται, μπορεί να τρίβεται επάνω στους βραχίονες και να φθαρεί.

Σε μακριές τέντες, το πανί ενδέχεται να κάνει «κοιλιά» στη μέση.

Τοποθέτηση των υποστηριγμάτων στο έδαφος



ΠΡΟΕΙΔΟΠΟΙΗΣΗ! Κίνδυνος τραυματισμού

- Τα υποστηρίγματα πρέπει να στηρίζονται μόνο επάνω σε σταθερό έδαφος.
- Σταθεροποιήστε τα υποστηρίγματα, ώστε να μην μπορούν να γλιστρήσουν.

- ▶ Τοποθετήστε τα υποστηρίγματα κατακόρυφα, κάτω από την μπροστινή ράβδο.
- ▶ Σταθεροποιήστε τα υποστηρίγματα με πασσαλάκια (σχ. **9**, σελίδα 6).
- ▶ Ρυθμίστε το ένα υποστηρίγμα λίγο πιο χαμηλά, ώστε η μπροστινή ράβδος να έχει ελαφριά κλίση. Έτσι θα μπορεί να φεύγει καλύτερα η βροχή (σχ. **10**, σελίδα 6).

Στερέωση των υποστηριγμάτων στο όχημα

Μπορείτε να στερεώσετε την τέντα απευθείας επάνω στο όχημα, εάν έχετε τοποθετήσει τις ασφάλειες για τα υποστηρίγματα.

- ▶ Σπρώξτε το κάλυμμα της ασφάλειας προς τα επάνω (σχ. **11**, σελίδα 7).
- ▶ Περάστε τα υποστηρίγματα στην ασφάλεια (σχ. **11**, σελίδα 7).
- ▶ Σπρώξτε το κάλυμμα της ασφάλειας προς τα κάτω (σχ. **11**, σελίδα 7).
- ▶ Ρυθμίστε το ένα υποστήριγμα λίγο πιο χαμηλά, ώστε η μπροστινή ράβδος να έχει ελαφριά κλίση. Έτσι θα μπορεί να φεύγει καλύτερα η βροχή (σχ. **12**, σελίδα 7).

Τοποθέτηση της δοκού τεντώματος (σχ. **13**, σελίδα 7)

Σε τέντες με μήκος μεγαλύτερο από 4 μέτρα θα πρέπει στη μέση της τέντας να τοποθετείται μια δοκός τεντώματος. Έτσι η τέντα δεν θα μπορεί να κάνει «κοιλιά».

- ▶ Συναρμολογήστε τη δοκό τεντώματος.
- ▶ Στερεώστε το επάνω άκρο της δοκού τεντώματος μέσα στην αντίστοιχη υποδοχή στο περίβλημα.
- ▶ Εισάγετε το άλλο άκρο της δοκού στην αντίστοιχη υποδοχή στη μπροστινή ράβδο.

7.3 Κλείσιμο της τέντας



ΠΡΟΣΟΧΗ!

- Κλείνετε την τέντα μόνο εφόσον δεν υπάρχουν ξένα σώματα επάνω στο τεντόπανο (κλαδιά, φύλλα κλπ.). Διαφορετικά η τέντα μπορεί να υποστεί ζημιά κατά το κλείσιμο.
 - Διατηρήστε την τέντα καθαρή από ξένα σώματα, ώστε να αποφεύγονται τα γδαρσίματα, οι λεκέδες και η μούχλα.
 - Κατά το κλείσιμο της τέντας, προσέχετε να μη μαγκώσουν κλαδιά ή άλλα αντικείμενα.
- ▶ Απομακρύνετε τα ξένα σώματα (κλαδιά, φύλλα κλπ.) επάνω από το τεντόπανο.
 - ▶ Λύστε τα υποστηρίγματα από τα εξαρτήματα στερέωσης (πασσαλίκια ή ασφάλειες στο όχημα).

Κλείσιμο της τέντας με μανιβέλα

- ▶ Στερεώστε το επάνω άκρο της μανιβέλας στην υποδοχή της τέντας.
- ▶ Γυρίστε τη μανιβέλα ώσπου η τέντα να είναι ανοιγμένη περίπου μόνο 1,5 m. Στερεώστε ξανά τα υποστηρίγματα κατακόρυφα κάτω από τη μπροστινή ράβδο κάθε 30 cm έτσι ώστε η τέντα να στέκεται σταθερά συνεχώς.
- ▶ Περιστρέψτε τον μοχλό του δεξιού υποστηρίγματος προς τα κάτω, για να λασκάρτε το υποστήριγμα.
- ▶ Συμπιέστε εντελώς το υποστήριγμα.
- ▶ Αναδιπλώστε το δεξιό υποστήριγμα προς τα επάνω.
- ▶ Περιστρέψτε το δεξιό υποστήριγμα μέσα στην μπροστινή ράβδο.
- ▶ Σπρώξτε το κάτω τμήμα του δεξιού υποστηρίγματος μέσα στην ασφάλεια της μπροστινής ράβδου.
- ▶ Κλείστε και το άλλο υποστήριγμα με τον ίδιο τρόπο.
- ▶ Γυρίστε τη μανιβέλα, μέχρι να κλείσει εντελώς η τέντα.
- ▶ Πριν ξεκινήσετε, βεβαιωθείτε ότι η τέντα έχει κλείσει εντελώς. Η μπροστινή ράβδος πρέπει να εφαρμόζει καλά επάνω στο περίβλημα.
- ▶ Βγάλετε τη μανιβέλα από την υποδοχή της τέντας.



ΠΡΟΣΟΧΗ! Προσοχή στις ζημιές.

Εάν κλείσετε την τέντα, ενώ είναι βρεγμένη, ανοίξτε την ξανά και αφήστε το ύφασμα να στεγνώσει με την πρώτη ευκαιρία. Εάν το πανί μείνει για μεγαλύτερο χρονικό διάστημα τυλιγμένο σε υγρή κατάσταση, θα δημιουργηθεί μούχλα και το ύφασμα μπορεί να ξεθωριάσει.

Κλείσιμο της τέντας με μοτέρ 12 V (μόνο PW1500/PW1750, προαιρετικό)

- ▶ Πιέστε το πλήκτρο \triangle στον διακόπτη ή στο τηλεχειριστήριο, μέχρι να ανοίξει η τέντα μόνο κατά περίπου 1,5 μέτρο. Στερεώστε ξανά τα υποστηρίγματα κατακόρυφα κάτω από τη μπροστινή ράβδο κάθε 30 cm έτσι ώστε η τέντα να στέκεται σταθερά συνεχώς.
- ▶ Περιστρέψτε τον μοχλό του δεξιού υποστηρίγματος προς τα κάτω, για να λασκάρτε το υποστήριγμα.
- ▶ Συμπιέστε εντελώς το υποστήριγμα.

- ▶ Αναδιπλώστε το δεξιό υποστηρίγμα προς τα επάνω.
- ▶ Περιστρέψτε το δεξιό υποστηρίγμα μέσα στην μπροστινή ράβδο.
- ▶ Σπρώξτε το κάτω τμήμα του δεξιού υποστηρίγματος μέσα στην ασφάλεια της μπροστινής ράβδου.
- ▶ Κλείστε και το άλλο υποστηρίγμα με τον ίδιο τρόπο.
- ▶ Πιέστε το πλήκτρο \triangle στον διακόπτη ή στο τηλεχειριστήριο, μέχρι να κλείσει εντελώς η τέντα.
- ▶ Πριν ξεκινήσετε, βεβαιωθείτε ότι η τέντα έχει κλείσει εντελώς. Η μπροστινή ράβδος πρέπει να εφαρμόζει καλά επάνω στο περίβλημα.



ΠΡΟΣΟΧΗ! Προσοχή στις ζημιές.

Εάν κλείσετε την τέντα, ενώ είναι βρεγμένη, ανοίξτε την ξανά και αφήστε το ύφασμα να στεγνώσει με την πρώτη ευκαιρία. Εάν το πανί μείνει για μεγαλύτερο χρονικό διάστημα τυλιγμένο σε υγρή κατάσταση, θα δημιουργηθεί μούχλα και το ύφασμα μπορεί να ξεθωριάσει.

7.4 Ξετύλιγμα του ρολού ηλιοπροστασίας (μόνο PW1750)

- ▶ Ανοίξτε την ασφάλεια στο μέσον της μπροστινής ράβδου (σχ. **14**, σελίδα 8).
- ▶ Σπρώξτε τα στηρίγματα δεξιά και αριστερά μέσα στις ράγες του ρολού ηλιοπροστασίας (σχ. **15**, σελίδα 8).
- ▶ Περάστε τους μάντες ή τα σχοινιά μέσα από τις θηλιές των στηριγμάτων (σχ. **15**, σελίδα 8).
- ▶ Τραβήξτε το ρολό ηλιοπροστασίας και με τα δύο χέρια στις ράγες ομοίωμα προς τα κάτω (σχ. **16**, σελίδα 8).
Το συνολικό μήκος τραβήγματος είναι 1,2 m.
- ▶ Στερεώστε τα στηρίγματα δεξιά και αριστερά στα υποστηρίγματα (σχ. **17**, σελίδα 9).
ή
- ▶ Σταθεροποιήστε τα σχοινιά με πασσαλάκια (σχ. **18**, σελίδα 9).

7.5 Τύλιγμα του ρολού ηλιοπροστασίας (μόνο PW1750)

- ▶ Λύστε τις ασφάλειες του ρολό ηλιοπροστασίας.
- ▶ Τραβήξτε το ρολό ηλιοπροστασίας προς τα κάτω (σχ. **19**, σελίδα 9).
- ✓ Το ρολό ηλιοπροστασίας τυλίγεται μόνο του μέσα στην μπροστινή ράβδο.
- ▶ Τραβήξτε τα στηρίγματα δεξιά και αριστερά έξω από τη ράγα (σχ. **20**, σελίδα 10).
- ▶ Ασφαλίστε την ασφάλεια στο μέσον της μπροστινής ράβδου (σχ. **21**, σελίδα 10).



ΠΡΟΣΟΧΗ! Προσοχή στις ζημιές.

Εάν κλείσετε το ρολό ηλιοπροστασίας ενώ είναι υγρό, ανοίξτε το πάλι με την πρώτη ευκαιρία και αφήστε το πανί να στεγνώσει. Εάν το πανί μείνει για μεγαλύτερο χρονικό διάστημα τυλιγμένο σε υγρή κατάσταση, θα δημιουργηθεί μούχλα και μπορεί να ξεθωριάσει.

7.6 Ρύθμιση του μοτέρ 12 V (μόνο PW1500/PW1750, προαιρετικό)



ΥΠΟΔΕΙΞΗ

Το μοτέρ 12 V είναι τοποθετημένο εκ των προτέρων στον άξονα του τεντόπανου.

- ▶ Εάν η τέντα δεν μπορεί πλέον να κλείσει ή να ανοίξει εντελώς, ρυθμίστε το μοτέρ 12 V (σχ. **22**, σελίδα 10).

7.7 Αντικατάσταση μπαταριών του τηλεχειριστηρίου και του διακόπτη τσίχου (μόνο PW1500/PW1750, προαιρετικό)



ΥΠΟΔΕΙΞΗ

Εάν η λυχνία LED του τηλεχειριστηρίου **δεν** ανάβει αφού έχετε πατήσει ένα από τα πλήκτρα, η μπαταρία του τηλεχειριστηρίου είναι άδεια.

- ▶ Ανοίξτε το περίβλημα (σχ. **23** 1, σελίδα 11).
- ▶ Βγάλτε την παλιά μπαταρία από τη θήκη της.

- ▶ Τοποθετήστε μια καινούργια μπαταρία (τύπου CR2450 για το τηλεχειριστήριο, τύπου CR2430 για τον διακόπτη τοίχου, σχ. **23** 2, σελίδα 11) στη θήκη με το θετικό ακροδέκτη στραμμένο προς τα επάνω.
- ▶ Κλείστε το τηλεχειριστήριο ή τον διακόπτη τοίχου.



Προστατέψτε το περιβάλλον!

Οι παλιές μπαταρίες δεν επιτρέπεται να πετιούνται στα σκουπίδια του σπιτιού!

Τις χαλασμένες και τις άδειες μπαταρίες πρέπει να τις παραδώσετε πίσω στα κατάλληλα σημεία συλλογής.

8 Καθαρισμός και συντήρηση

8.1 Καθαρισμός



ΠΡΟΣΟΧΗ! Προσοχή στις ζημιές.

- Μην καθαρίζετε **ποτέ** την τέντα με συσκευή καθαρισμού υψηλής πίεσης.
- Μη χρησιμοποιείτε για τον καθαρισμό τριβικά καθαριστικά μέσα ή σκληρά αντικείμενα, διότι μπορεί να προκαλέσουν ζημιά στο προϊόν.

- ▶ Αφαιρέστε τα ξένα σώματα (κλαδιά, φύλλα κλπ.) επάνω από το τεντόπανο, για να αποτραπούν τυχόν γδαρσίματα και λεκέδες καθώς και η δημιουργία μούχλας. Έτσι αποφεύγεται επίσης η πιθανότητα να προκληθούν ζημιές στην τέντα κατά το κλείσιμο.
- ▶ Καθαρίζετε το τεντόπανο τακτικά για να φεύγουν οι σκόνες και οι ρύποι:
 - Για το σκοπό αυτό χρησιμοποιήστε 30 ml απορρυπαντικό και 30 ml λευκαντικό σε 10 λίτρα νερό.
 - Σαπουνίστε με αυτό το διάλυμα το πανί και αφήστε το υγρό καθαρισμού να επιδράσει για πέντε λεπτά.
 - Ξεπλύνετε καλά με καθαρό νερό.
 Βεβαιωθείτε ότι έχει ξεπλυθεί εντελώς το απορρυπαντικό με το λευκαντικό. Διαφορετικά το τεντόπανο μπορεί να υποστεί ζημιά.
 - Αφήστε το τεντόπανο να στεγνώσει.

**ΥΠΟΔΕΙΞΗ**

Ο κατασκευαστής συνιστά:

Για τον καθαρισμό του τεντόπανου χρησιμοποιείτε το καθαριστικό τεντών Dometic (κωδικός 9600000165, διατίθεται από τον επίσημο συνεργάτη της περιοχής σας).

8.2 Λίπανση

- ▶ Εάν απαιτείται, λιπάνετε τις αρθρώσεις της τέντας με κερί παραφίνης, λάδι τεφλόν ή λάδι σιλικόνης.

8.3 Έλεγχος

**ΠΡΟΕΙΔΟΠΟΙΗΣΗ!**

Μη χρησιμοποιείτε την τέντα, εάν απαιτούνται ρυθμίσεις ή επισκευές.

Εάν διαπιστώσετε ζημιές, απευθυνθείτε σε έναν επίσημο συνεργάτη στη χώρα σας (για τις διευθύνσεις, βλ. πίσω πλευρά του εγχειριδίου).

**ΥΠΟΔΕΙΞΗ**

Ο πρόσθετος εξοπλισμός Dometic, όπως οι στεγανοποιητικοί σύνδεσμοι ή οι λωρίδες αφρώδους υλικού, υπόκειται σε φυσιολογική φθορά από τις περιβαλλοντικές συνθήκες. Αυτό δεν αποτελεί ένδειξη κακής ποιότητας. Για να διασφαλιστεί η λειτουργία αυτών των εξαρτημάτων, η Dometic συνιστά την αντικατάσταση των λαστιχένιων στεγανοποιήσεων και των λωρίδων αφρώδους υλικού κάθε 5 έτη.

- ▶ Ελέγχετε την τέντα τακτικά για τυχόν φθορά και κακή κατανομή φορτίου καθώς και για ζημιές σε σημαντικά εξαρτήματα.
- ▶ Ελέγχετε τακτικά την τέντα:
 - Είναι το πανί σε άριστη κατάσταση;
 - Είναι οι βραχίονες και η μπροστινή ράβδος σε άριστη κατάσταση ή παρουσιάζουν σημάδια φθοράς;
 - Κλείνει σωστά η τέντα;

8.4 Επανασύσφιξη των βιδών στην άρθρωση ώμου

Μετά από τις πρώτες καταπονήσεις, θα πρέπει να επανασφιχθούν οι βίδες στην άρθρωση ώμου:

- Μετά από τις πρώτες διακοπές, στις οποίες χρησιμοποιήσατε την τέντα για πρώτη φορά
- Μετά από οδήγηση 20000 km ή έξι μήνες μετά από την τοποθέτηση της τέντας (όποιο συμβεί πρώτο)

Επιπλέον οι βίδες στην άρθρωση ώμου πρέπει να ελέγχονται κατά την τακτική επιθεώρηση του οχήματος.

Για την επανασύσφιξη των βιδών, απευθυνθείτε στον επίσημο συνεργάτη της περιοχής σας.

Οδηγίες για το σέρβις (σχ. 24, σελίδα 11)



ΠΡΟΣΟΧΗ!

Οι βραχίονες της τέντας δεν πρέπει να φέρουν φορτίο. Αυτό είναι απαραίτητο, για να μην επηρεαστεί η ροπή σύσφιξης των βιδών.

- ▶ Ανυψώστε ελαφρώς την μπροστινή ράβδο, ώστε να μην φέρουν φορτίο οι αρθρώσεις.
- ▶ Ξανασφίξτε τις βίδες με ροπή 15 – 25 Nm.

8.5 Μπάλωμα μικρών τρυπών στο πανί

Τις μικρές τρύπες στο πανί ή τα σημεία, στα οποία έχει αρχίσει να αποκολλάται η επίστρωση, μπορείτε να τα μπαλώσετε μόνοι σας:

- ▶ Με ένα βαμβακερό πανί επαλείψτε γύρω από το σημείο που έχει υποστεί ζημιά μια μικρή ποσότητα υγρής κόλλας βινυλίου (κωδικός 9103104018, διατίθεται από τον επίσημο συνεργάτη της περιοχής σας).
- ✓ Η υγρή κόλλα βινυλίου επιδρά αποσυνθετικά στην επίστρωση. Όταν στεγνώνει, η επίστρωση κλείνει την τρύπα.
- ▶ Πριν κλείσετε την τέντα, περιμένετε να στεγνώσει εντελώς το συγκεκριμένο σημείο του πανιού.

9 Αντιμετώπιση βλαβών



ΥΠΟΔΕΙΞΗ

Εάν δεν μπορείτε να διορθώσετε τις βλάβες με τη βοήθεια του ακόλουθου πίνακα, απευθυνθείτε σε έναν επίσημο συνεργάτη στη χώρα σας (για τις διευθύνσεις, βλ. πίσω πλευρά του εγχειριδίου).

Βλάβη	Πιθανή αιτία	Προτεινόμενη λύση
μόνο PW1500/PW1750: Το μοτέρ δεν αντιδρά στις εντολές από το τηλεχειριστήριο.	Οι μπαταρίες του τηλεχειριστηρίου είναι άδειες.	Πιέστε σύντομα ένα από τα πλήκτρα \triangle ή ∇ . Εάν το LED του τηλεχειριστηρίου δεν ανάψει, η μπαταρία είναι άδεια. Αντικαταστήστε την μπαταρία, βλέπε κεφάλαιο «Αντικατάσταση μπαταριών του τηλεχειριστηρίου και του διακόπτη τοίχου (μόνο PW1500/PW1750, προαιρετικό)» στη σελίδα 349.
	Το τηλεχειριστήριο δεν είναι πλέον ρυθμισμένο ή δεν είναι σωστά ρυθμισμένο ως προς τον κινητήρα.	Επαναπρογραμματίστε το τηλεχειριστήριο, ανατρέξτε στο εγχειρίδιο τοποθέτησης.
	Δεν υπάρχει τάση τροφοδοσίας	Ελέγξτε τις ηλεκτρικές συνδέσεις.
	Το μοτέρ είναι ελαττωματικό.	Κλείστε την τέντα χειροκίνητα και επικοινωνήστε με έναν επίσημο συνεργάτη στην χώρα σας.

10 Εγγύηση

Ισχύει η νόμιμη διάρκεια εγγύησης. Εάν το προϊόν έχει ελαττώματα, απευθυνθείτε στο κατάστημα που το αγοράσατε ή στην αντιπροσωπεία του κατασκευαστή στη χώρα σας (βλέπε dometic.com/dealer).

Για την επεξεργασία της επισκευής ή αντίστοιχα της εγγύησης απαιτούνται τα εξής έγγραφα:

- Ένα αντίγραφο της απόδειξης αγοράς με την ημερομηνία αγοράς,

- το λόγο για την υποβολή των παραπόνων ή μια περιγραφή του σφάλματος.

11 Απόρριψη

- Αν είναι εφικτό να απορρίψετε τα υλικά συσκευασίας στους αντίστοιχους κάδους ανακύκλωσης.



Εάν η συσκευή τεθεί οριστικά εκτός λειτουργίας, ενημερωθείτε στο κοντινότερο κέντρο ανακύκλωσης ή στα ειδικά καταστήματα για τους σχετικούς κανονισμούς απόρριψης.


12 Τεχνικά χαρακτηριστικά

PerfectWall PW1000					
Πλάτος:	2,6 m	3 m	3,5 m	4 m	4,5 m
Μήκος ανοίγματος:	2 m	2,5 m			
Βάρος:	18,6 kg	21 kg	24 kg	27 kg	30 kg

PerfectWall PW1500				
Πλάτος:	1,5 m	2,6 m	3 m	3,5 m
Μήκος ανοίγματος:	1 m	2 m	2,5 m	2,5 m / 2,75 m
Βάρος:	12 kg	18 kg	21 kg	24 kg

PerfectWall PW1500				
Πλάτος:	4 m	4,5 m	5 m	5,5 m
Μήκος ανοίγματος:	2,5 m / 2,75 m			
Βάρος:	27 kg	30 kg	33 kg	36 kg

PerfectWall PW1750			
Πλάτος:	3 m	3,5 m	4 m
Μήκος ανοίγματος:	2,5 m		
Βάρος:	26 kg	30 kg	33 kg

μοτέρ 12 V (μόνο PW1500 και PW1750)	
Ηλεκτρική τάση σύνδεσης:	12 V _{DC} (11 – 15 V)
Ένταση ρεύματος:	7 A
Ισχύς εξόδου:	84 W
Ροπή:	35 Nm
Έλεγχος / πιστοποίηση:	

Mobile living made easy.



dometic.com

**YOUR LOCAL
DEALER**

dometic.com/dealer

**YOUR LOCAL
SUPPORT**

dometic.com/contact

**YOUR LOCAL
SALES OFFICE**

dometic.com/sales-offices

A complete list of Dometic companies, which comprise the Dometic Group, can be found in the public filings of:
DOMETIC GROUP AB Hemvärnsgatan 15 SE-17154 Solna Sweden