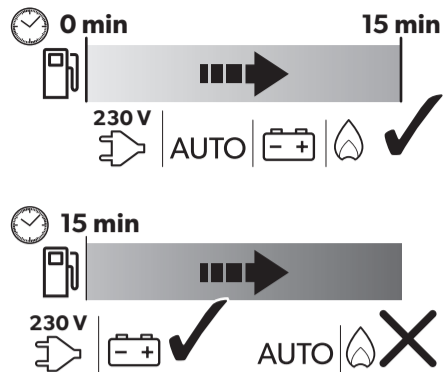
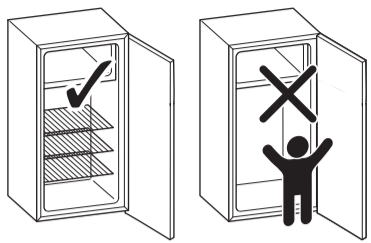


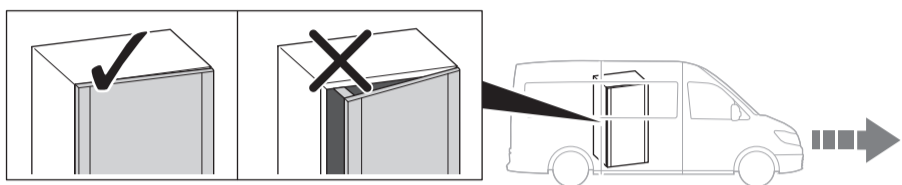
↔ **DOMETIC**

# RM10.5(S)(T) RMS10.5(X)(S)(T)

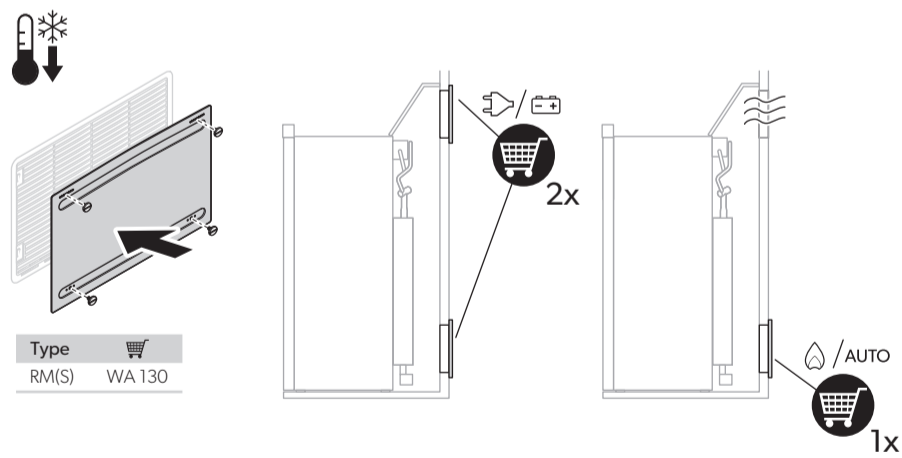
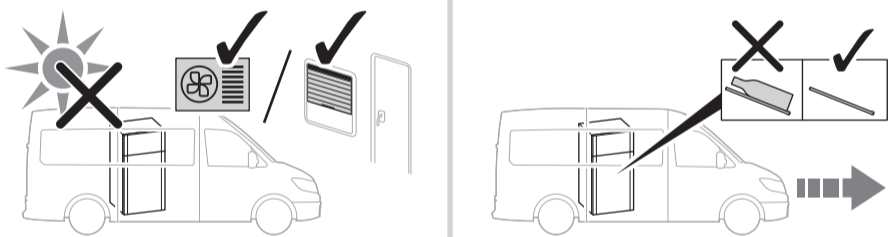
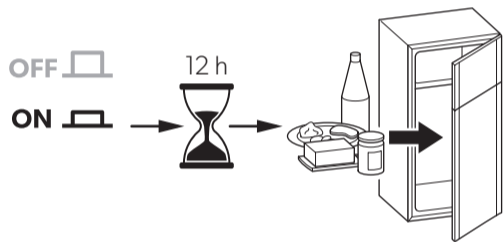
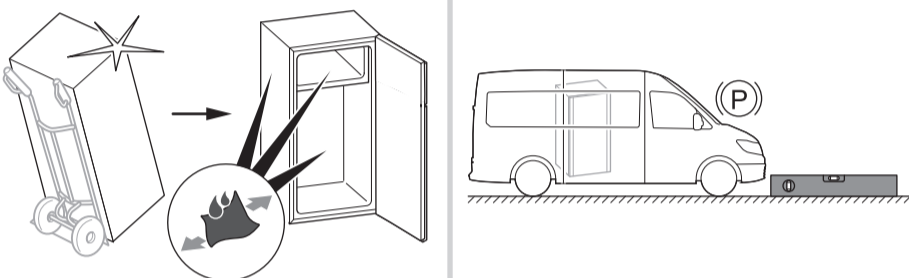
## WARNING



## CAUTION



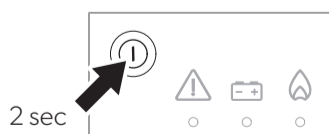
## NOTICE



## ON

1

RM10.5S, RMS10.5S,  
RMS10.5XS



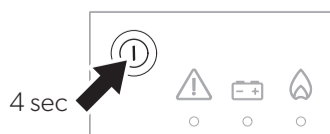
RM10.5T, RMS10.5T,  
RMS10.5XT



## OFF

2

RM10.5S, RMS10.5S,  
RMS10.5XS



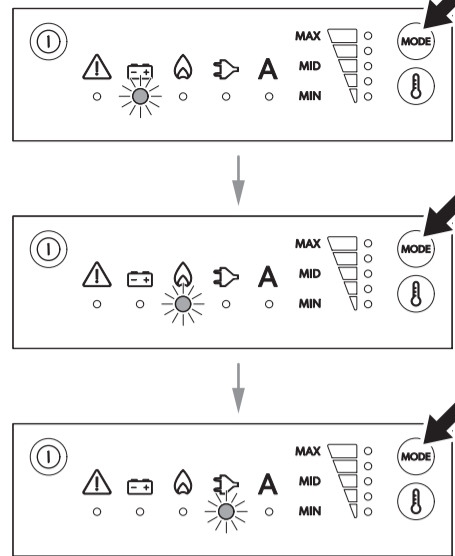
RM10.5T, RMS10.5T,  
RMS10.5XT



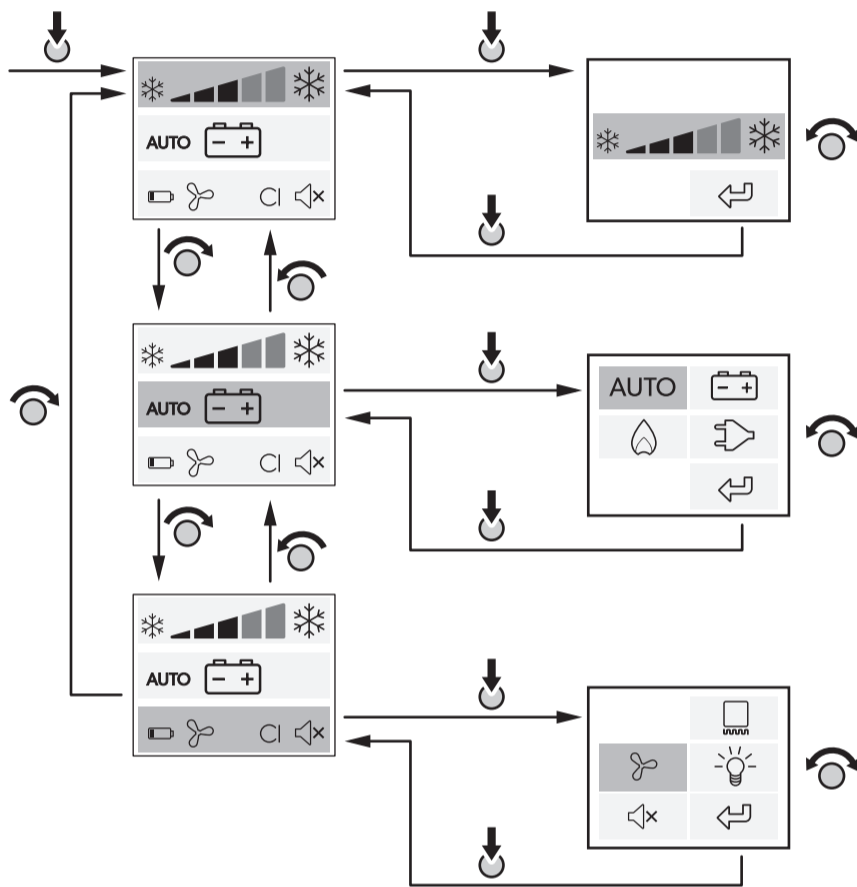
## Operation

3

RM10.5S, RMS10.5S, RMS10.5XS



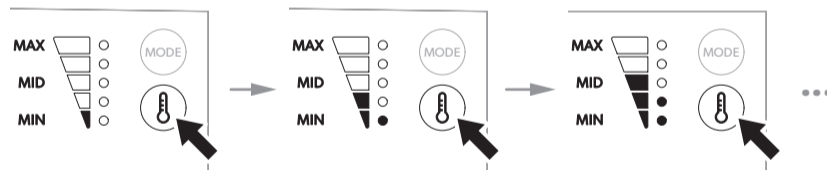
RM10.5T, RMS10.5T, RMS10.5XT



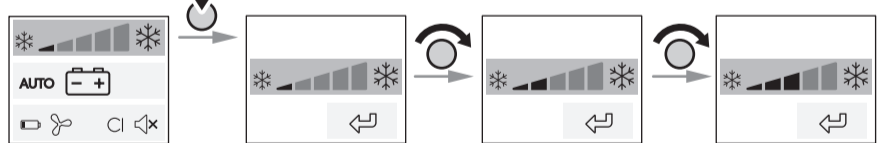
## Cooling Capacity

4

RM10.5S, RMS10.5S, RMS10.5XS



RM10.5T, RMS10.5T, RMS10.5XT



## Shelves

5

