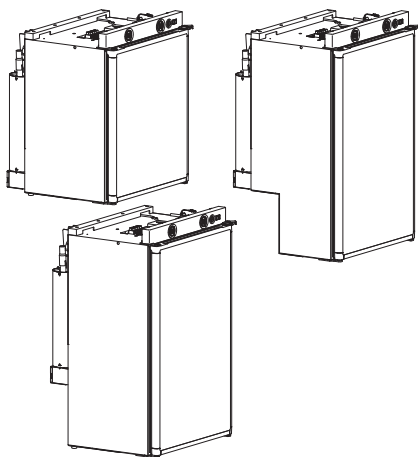


↗ DOMETIC REFRIGERATION 5 SERIES

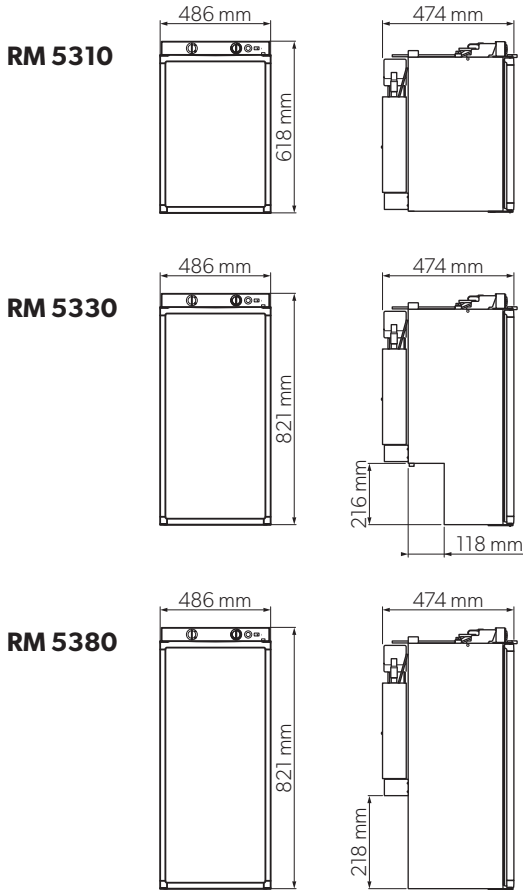


RM5310, RM5330, RM5380

EN	Absorber refrigerator Installation Manual	15
DE	Absorber-Kühlschrank Montageanleitung	30
FR	Réfrigérateur à absorption Instructions de montage	45
NL	Absorptiekoelkast Montagehandleiding	60

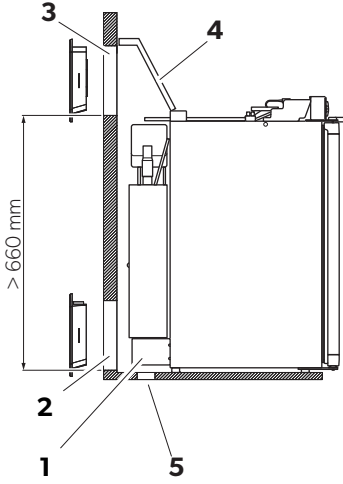
© 2021 Dometic Group. The visual appearance of the contents of this manual is protected by copyright and design law. The underlying technical design and the products contained herein may be protected by design, patent or be patent pending. The trademarks mentioned in this manual belong to Dometic Sweden AB. All rights are reserved.

1

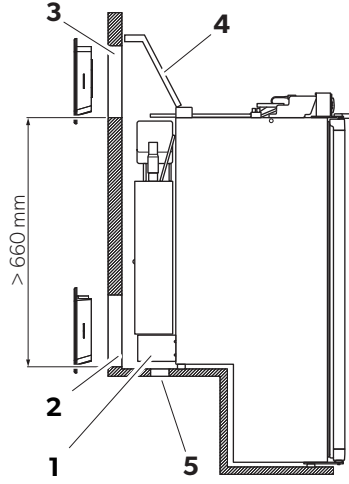


2

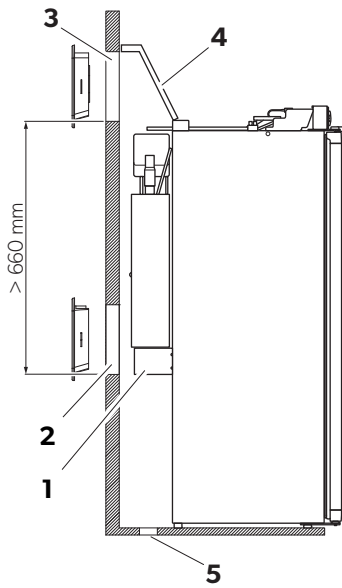
RM 5310



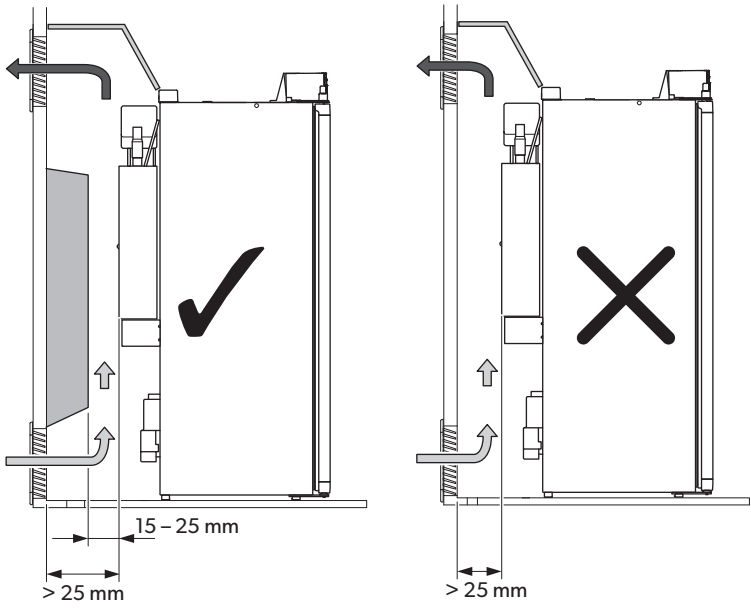
RM 5330



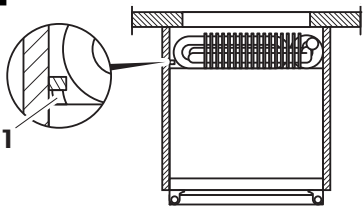
RM 5380



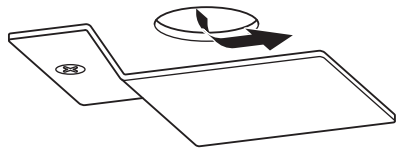
3

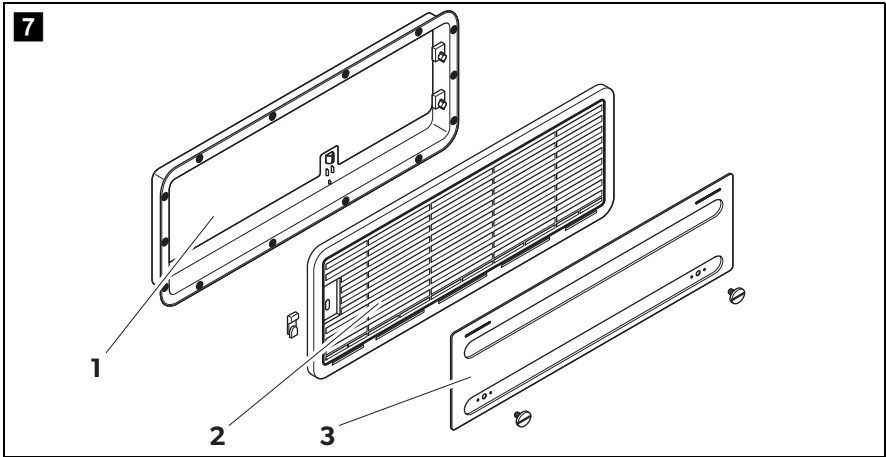
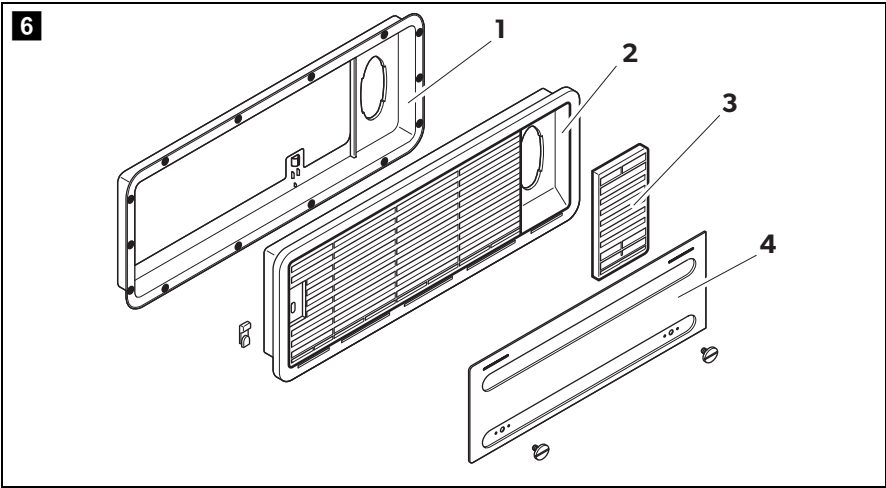


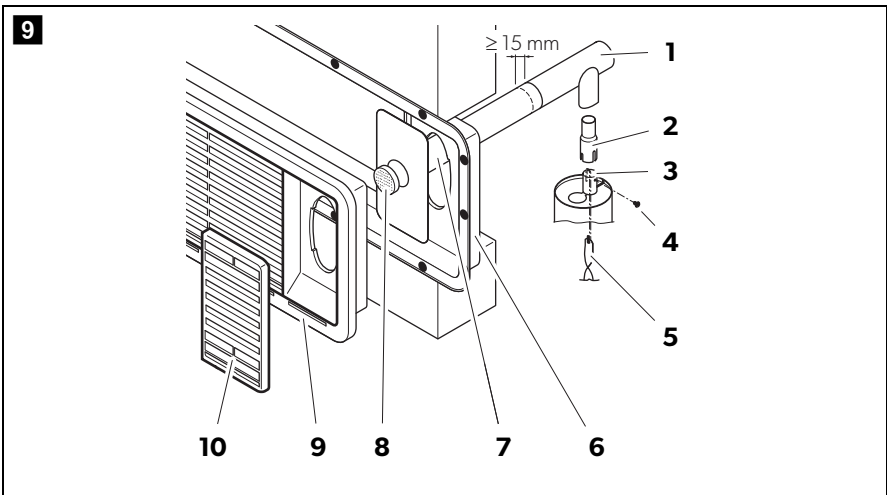
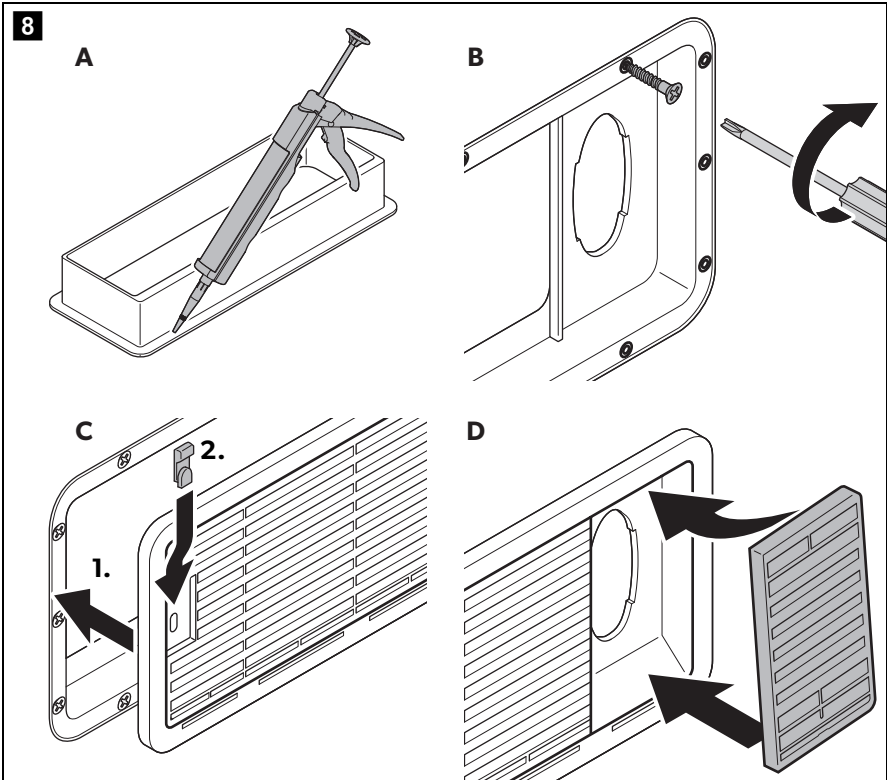
4



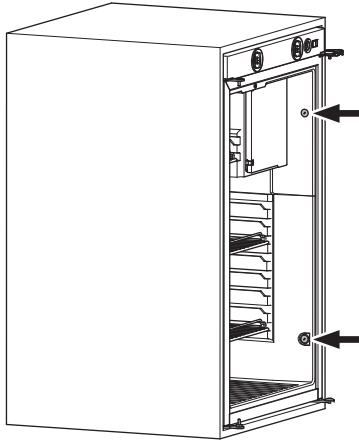
5

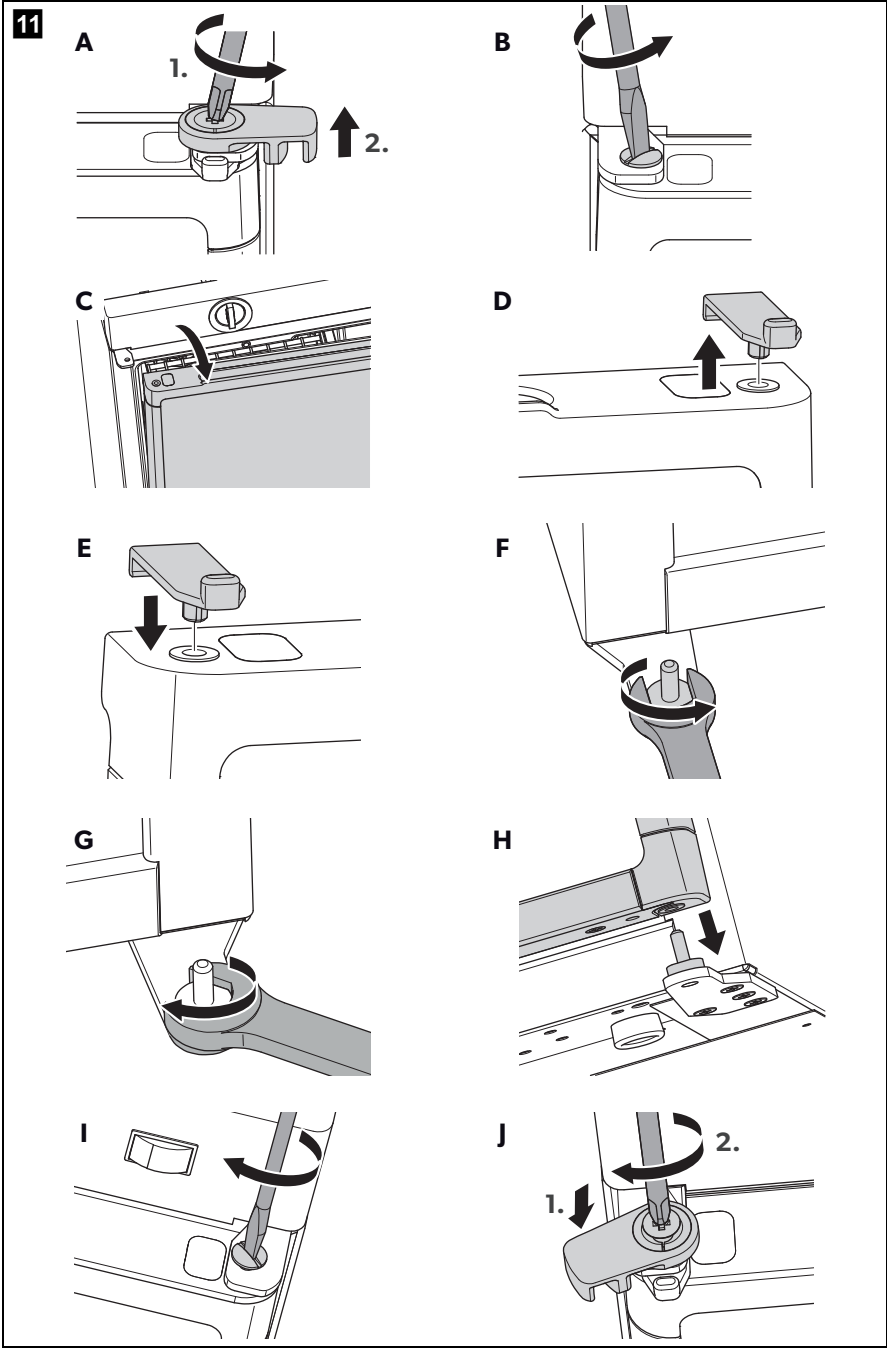


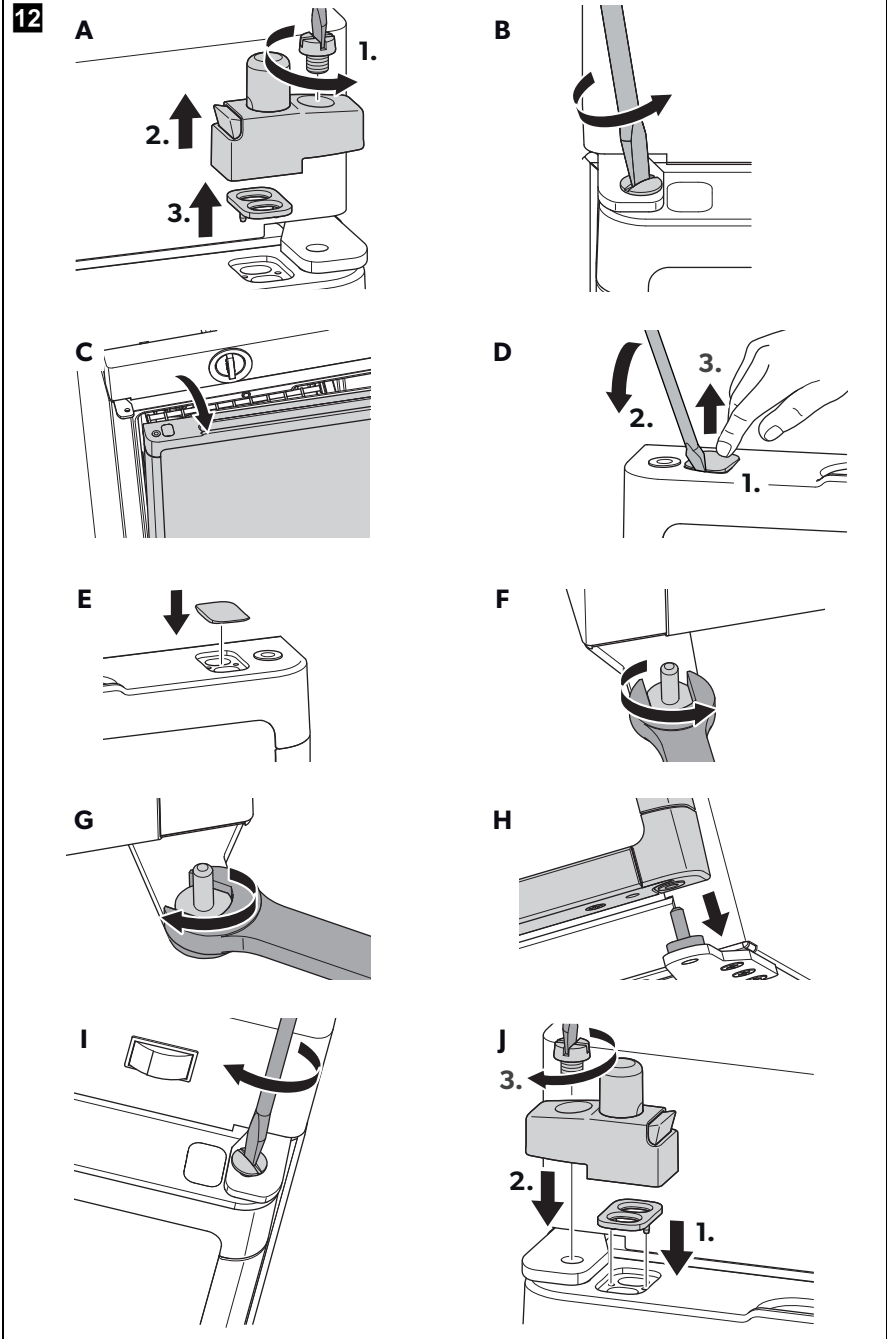


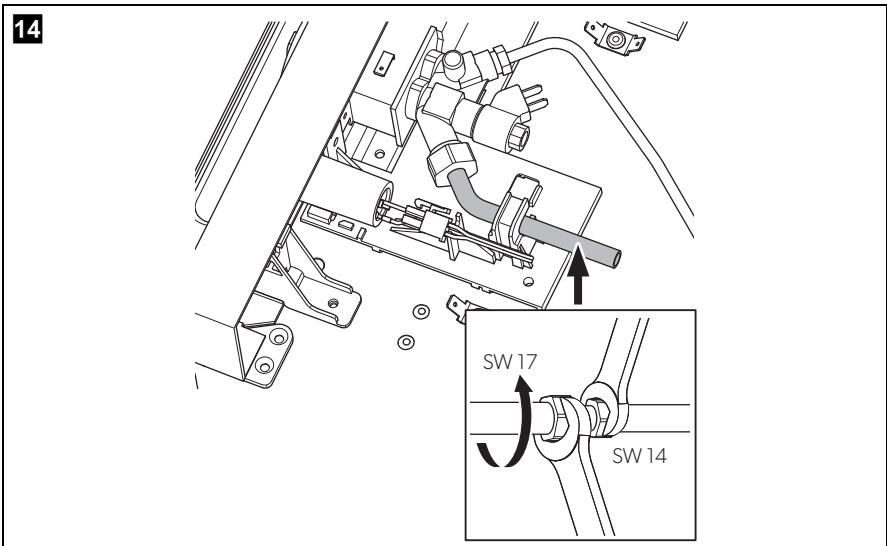
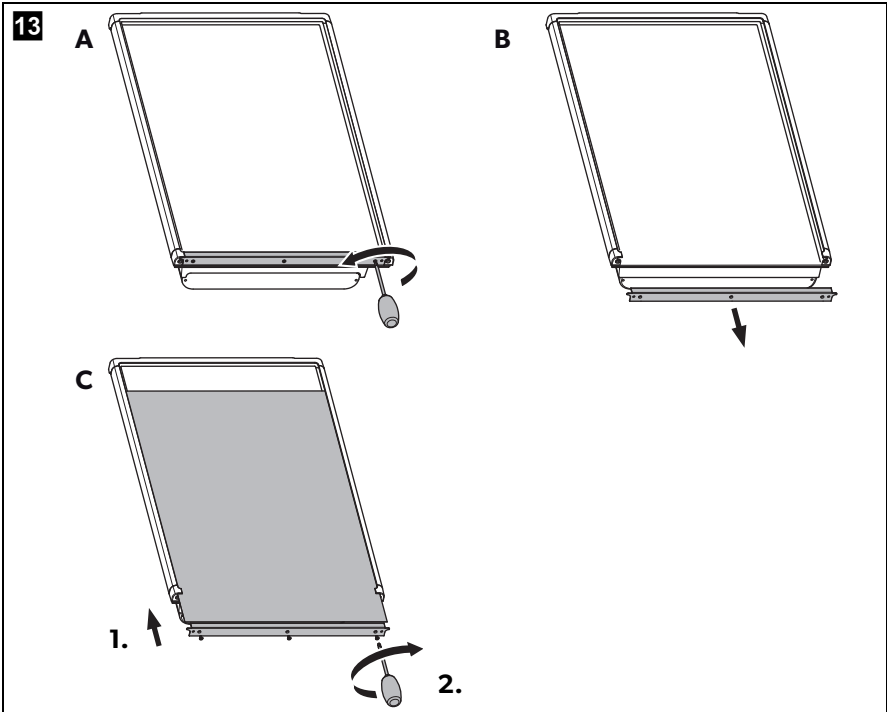


10

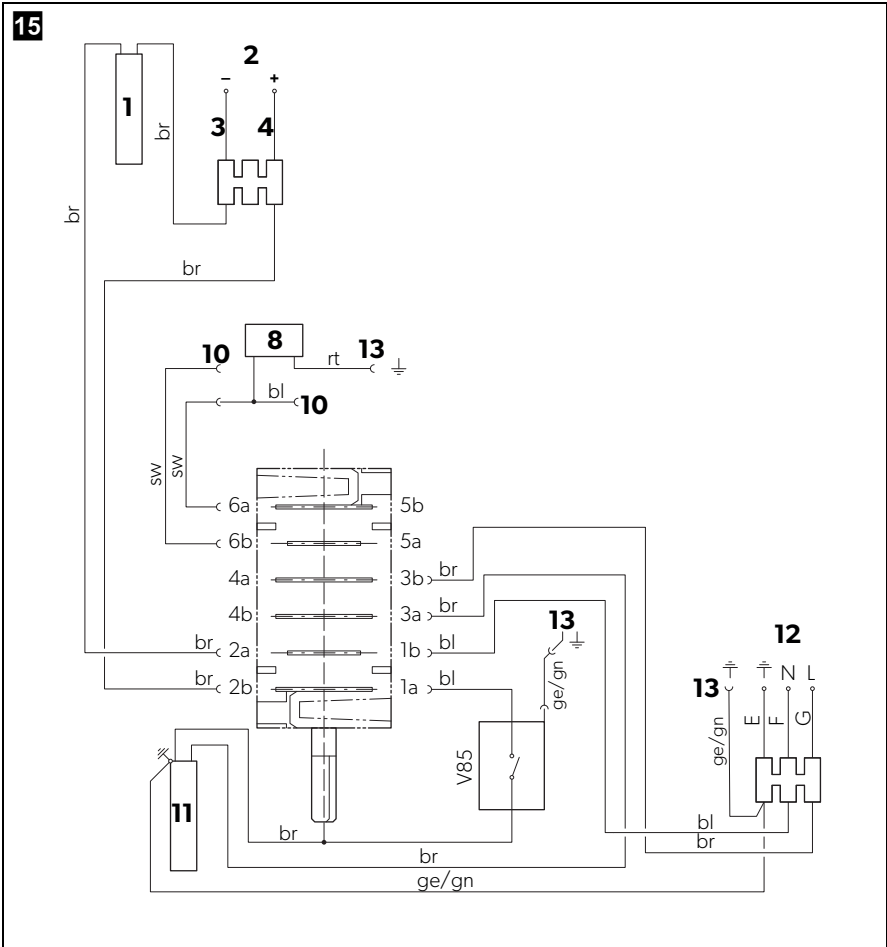




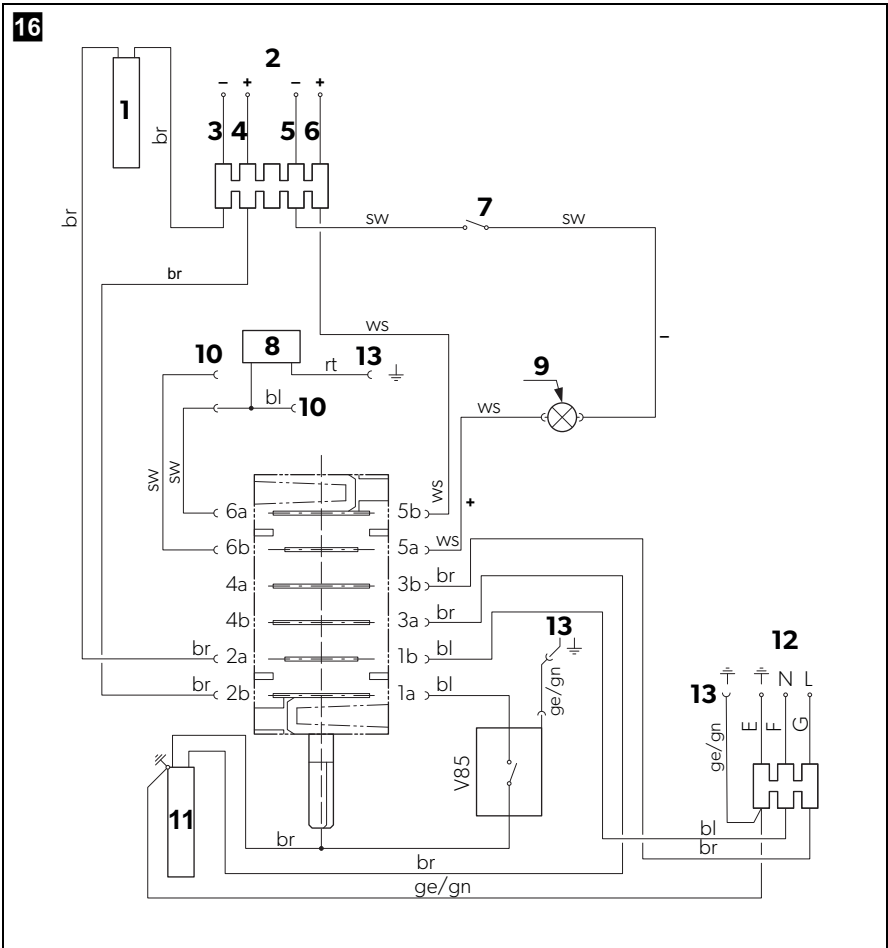




15

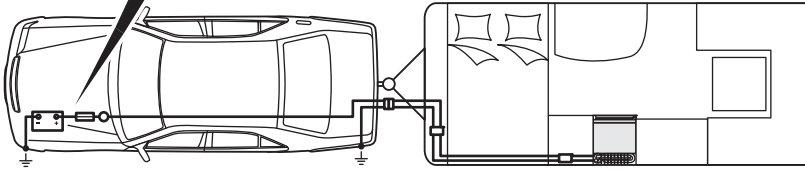
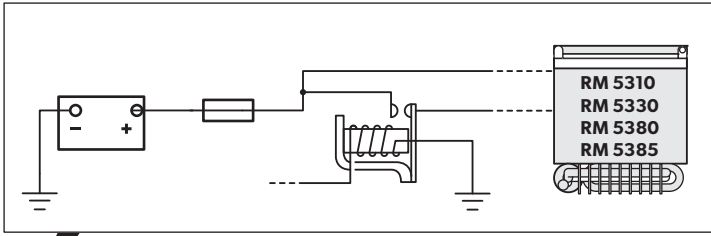


	bl	br	ge	gn	rt	sw
EN	Blue	Brown	Yellow	Green	Red	Black
DE	Blau	Braun	Gelb	Grün	Rot	Schwarz
FR	Bleu	Marron	Jaune	Vert	Rouge	Noir
NL	Blauw	Bruin	Geel	Groen	Rood	Zwart



	bl	br	ge	gn	rt	sw	ws
EN	Blue	Brown	Yellow	Green	Red	Black	White
DE	Blau	Braun	Gelb	Grün	Rot	Schwarz	Weiß
FR	Bleu	Marron	Jaune	Vert	Rouge	Noir	Blanc
NL	Blauw	Bruin	Geel	Groen	Rood	Zwart	Wit

17



Please read these instructions carefully and follow all instructions, guidelines, and warnings included in this product manual in order to ensure that you install, use, and maintain the product properly at all times. These instructions **MUST** stay with this product.

By using the product, you hereby confirm that you have read all instructions, guidelines, and warnings carefully and that you understand and agree to abide by the terms and conditions as set forth herein. You agree to use this product only for the intended purpose and application and in accordance with the instructions, guidelines, and warnings as set forth in this product manual as well as in accordance with all applicable laws and regulations. A failure to read and follow the instructions and warnings set forth herein may result in an injury to yourself and others, damage to your product or damage to other property in the vicinity. This product manual, including the instructions, guidelines, and warnings, and related documentation, may be subject to changes and updates. For up-to-date product information, please visit documents.dometic.com, dometic.com.

Table of contents

1	Explanation of symbols	15
2	Safety instructions	16
3	Scope of delivery	18
4	Accessories	18
5	Intended use	19
6	Installing the refrigerator	19
7	Reversing the door	24
8	Put on the door panel	24
9	Connecting the refrigerator	25
10	Cleaning and maintenance	28
11	Warranty	28
12	Disposal	28
13	Technical data	29

1 Explanation of symbols



WARNING!

Safety instruction: Indicates a hazardous situation that, if not avoided, could result in death or serious injury.



CAUTION!

Safety instruction: Indicates a hazardous situation that, if not avoided, could result in minor or moderate injury.

**NOTICE!**

Indicates a situation that, if not avoided, can result in property damage.

**NOTE**

Supplementary information for operating the product.

2 Safety instructions



WARNING! Failure to obey these warnings could result in death or serious injury.

Explosion hazard

- Never open the absorber unit. It is under high pressure and can cause injury if it is opened.
- **Only** operate the device at the pressure shown on the type plate. Only use pressure controllers with a fixed setting which comply with the national regulations (in Europe EN 12864).

Fire hazard

- Ensure clean and residue-free handling if silicon sealant or similar is used. There is a risk of fire if silicone filaments come into contact with hot parts or naked flames.
- Never use a naked flame to check the device for leaks.
- Only use propane or butane gas (**not** natural gas).

Health hazard

- Do not operate the device if it is visibly damaged.
- If the AC power cable for this device is damaged, it must be replaced by the manufacturer, a service agent or a similarly qualified person in order to prevent safety hazards.
- This device may only be repaired by qualified personnel. Inadequate repairs may cause serious hazards.

Risk of asphyxiation

- Dismantle all device doors for the disposal of the old device and leave the shelves in the device to prevent accidental enclosure and suffocation.



CAUTION! Failure to obey these cautions could result in minor or moderate injury.

Electrical shock

- Before starting the device, ensure that the power supply line and the plug are dry.

Risk of crushing

- Do not put your fingers into the hinge.



NOTICE! Damage hazard

- Only hold the device at the body of the device during transport. Never hold the device at the absorber unit, the cooling fins, the gas pipes, the door or the control panel.

- Make sure that the device circuit is not damaged during transportation. The refrigerant in the device circuit is highly flammable.

In the event of any damage to the device circuit (smell of ammonia):

- Switch off the device if applicable.
- Avoid naked flames and sparks.
- Air the room well.

- Do not install the device near naked flames or other heat sources (heaters, direct sunlight, gas ovens etc.).

- **Danger of overheating!**

Always ensure sufficient ventilation so that the heat generated during operation can dissipate. Make sure that the device is sufficiently far away from walls and other objects so that the air can circulate.

- Check that the voltage specification on the type plate is the same as that of the power supply.
- Do not open the refrigerant circuit under any circumstances.
- Only use the AC connection cable supplied to connect the device to the AC mains.
- Only use cables with a suitable size.
- Never pull the plug out of the socket by the connection cable.
- The device may not be exposed to rain.

3 Scope of delivery

- Refrigerator
- Caps
- Ice-cube tray
- Operating manual
- Installation manual

4 Accessories

Available as accessories (not included in the scope of delivery):

Description	Ref. no.
Fan kit	9105900007
LS100 ventilation grille with flue duct and winter cover	
White	9105900012
Beige	9105900011
LS200 ventilation grille without flue duct and winter cover	
White	9105900014
Beige	9105900013

If you have questions regarding the accessories, please contact your local service partner.

5 Intended use

The refrigerator is designed for installation in caravans or motorhomes. It is only suitable for cooling, freezing and storing foodstuffs. The refrigerator is not intended for the proper storage of medicine.

The refrigerator is designed to be operated on a DC power supply and an AC socket and can be powered by liquid gas (propane or butane). The refrigerator may **not** be run on natural gas or city gas. The RM5385 refrigerator also always requires a permanent DC supply.

This product is only suitable for the intended purpose and application in accordance with these instructions.

This manual provides information that is necessary for proper installation and/or operation of the product. Poor installation and/or improper operating or maintenance will result in unsatisfactory performance and a possible failure.

The manufacturer accepts no liability for any injury or damage to the product resulting from:

- Incorrect assembly or connection, including excess voltage
- Incorrect maintenance or use of spare parts other than original spare parts provided by the manufacturer
- Alterations to the product without express permission from the manufacturer
- Use for purposes other than those described in this manual

Dometic reserves the right to change product appearance and product specifications.

6 Installing the refrigerator

6.1 Preparing the installation

When installing the refrigerator, note the following:

- To enable the refrigerant to circulate properly, the refrigerator may not exceed an angle of 3°.
Park the vehicle on a level surface with the help of a spirit level.
- The refrigerator must be installed so that it is easily accessible for service work, easy to de-install and install and can be easily removed from the vehicle.
- The distance between the refrigerator and the rear wall must be min. 15 mm – max. 25 mm (fig. **3**, page 5).

- The refrigerator must be installed in a recess so that it stands firm when the vehicle is in motion. Note the following dimensions here (H x W x D in mm, fig. **1**, page 3):
 - **RM 5310**: 618 x 486 x 474
 - **RM 5330**: 821 x 486 x 474
 - **RM 5380**: 821 x 486 x 474
- The outer wall must be fitted with an air inlet vent (fig. **2** 2, page 4) and an outlet vent (fig. **2** 3, page 4) with ventilation grilles so that the heat generated can be easily released to the outside:
 - Air inlet vent: Fit the ventilation grille as flush as possible underneath the burner lid (fig. **2** 1, page 4) with a minimum cross-section of 250 cm².
 - Outlet vent: fit above the refrigerator as far as possible. A ventilation grille with integrated flue duct can also be used here.
- If the ventilation grille of the air inlet vent cannot be installed flush to the ground, an additional inlet vent (fig. **2** 5, page 4) must be provided in the floor for releasing leaked gas.
- For the RM5380 refrigerators, an air inlet vent (fig. **2** 5, page 4) must always be installed in the floor.
- The air vents must not be covered by vehicle parts (such as an open door or by installing accessories such as bicycle racks) while operating.
- There must be sufficient space at the back of the refrigerator for the air to be able to circulate around the cooling element.
- Fit a heat conduction plate (fig. **2** 4, page 4) above the refrigerator so that the heat does not accumulate in the vehicle.
- Install the refrigerator so that it is protected from excessive heat, as this leads to poor performance and increases the power consumption of the refrigerator.
- The electrical installation must comply with national and local regulations. European standards: EN 60335-1, EN 60335-2-24, EN 1648-1 and EN 1648-2.
- The gas installation must comply with national and local regulations. European standard: EN 1949.
- The refrigerator must be installed in a draught-proof location in accordance with EN 1949, see chapter “Installing the refrigerator in a draught-proof location” on page 21.

6.2 Installing the refrigerator in a draught-proof location

Gas-powered refrigerators in caravans or motorhomes must be installed in a draught-free location according to EN 1949. This means that the combustion air is not extracted from the interior and the exhaust fumes are prevented from directly entering the living space.

A suitable seal must be fitted between the rear panel of the refrigerator and the interior of the vehicle.



WARNING! Fire hazard!

Do not use flammable materials such as silicone sealants, foam or similar for the draught-proof installation.

The manufacturer recommends using a flexible seal to ease removal and installation for maintenance purposes.

- Attach the sealing lips (fig. **4** 1, page 5) to a stop rail behind the refrigerator, for example, by using an adhesive.
- When installing, push the refrigerator against the stop rails with the sealing lips. This then seals the space behind the refrigerator to the interior of the vehicle.

6.3 Creating the air vents



NOTE

At high ambient temperatures, the refrigerator can only provide its maximum cooling capacity if the optimum ventilation has been provided.

- Make an air inlet vent and an air outlet vent in the outer wall with the size of 451 mm x 156 mm. When doing so, observe the information, see chapter "Preparing the installation" on page 19.

If the ventilation grille of the air inlet vent cannot be installed flush with the floor of the niche, you need to install an inlet vent in the floor:

- Make an air inlet vent in the floor (fig. **2** 4, page 4) behind the refrigerator near the gas burner with a diameter of at least 40 mm. The vent pipe must lead directly outside. This allows leaking unburned gas to escape outside.
- Shield the end of the opening with a deflector to prevent sludge or dirt from getting inside while driving (fig. **5**, page 5).

6.4 Installing the ventilation grille

LS100

No. in fig. 6 , page 6	Description
1	Installation frame
2	Ventilation grille
3	Attachment for flue duct
4	Winter cover

LS200

No. in fig. 7 , page 6	Description
1	Installation frame
2	Ventilation grille
3	Winter cover

Proceed as follows (fig. **8**, page 7):

- ▶ Ensure the installation frame is water resistant (**A**).
- ▶ Insert the installation frame and screw it down tightly (**B**).
- ▶ Insert the ventilation grille and lock it in place (**C**).

For LS100 only

- ▶ Insert the attachment for the flue duct (**D**).

6.5 Installing the flue duct

Proceed as follows (fig. **9**, page 7):

- ▶ Place the T-piece (**1**) on the adaptor (**2**) and the flue pipe (**3**).
- ▶ Attach the T-piece, adaptor and flue pipe with a screw (**4**).
- ▶ Make sure that the heat distributor (**5**) is fitted in its intended position.
- ▶ Insert the flue duct with the cover plate (**7**) through the intended opening in the installation frame (**6**).
- ▶ Connect the flue duct and the cover plate with the T-piece (**1**).
- ▶ Shorten the flue duct (**7**) to the correct length if necessary.
- ▶ Place the LS 100 ventilation grille (**9**) in the installation frame (**6**) and lock it into place.
- ▶ Insert the cover cap (**8**) onto the flue pipe (**7**).
- ▶ Place the attachment for the flue duct (**10**) in the ventilation grille (**9**).

6.6 Securing the refrigerator



CAUTION!

Only drill through the receptacles provided, otherwise foamed components, including cables, can be damaged.



NOTE

Attach the side walls or the attached strips so that the screws are tight, even when under increased loads (while driving).

- ▶ Move the refrigerator into its final location.
- ▶ Fasten the four screws through the four plastic washers in the sides of the refrigerator (fig. **10**, page 8), and further into the wall.

7 Reversing the door

Rotary door lock

- Replace the door as shown (fig. **11**, page 9).

2-button door lock

- Replace the door as shown (fig. **12**, page 10).

8 Put on the door panel



NOTICE! Beware of damage

Only ever lay the refrigerator on its side and never on its back. Otherwise the unit may be damaged.

The door panel must have the following dimensions:

- **RM 5310:** 534 x 455 x max. 3 – 3.8 (H x W x D in mm)
 - **RM 5330/RM 5380:** 740 x 455 x max. 3 – 3.8 (H x W x D in mm)
- Put on the door panel as shown (fig. **13**, page 11).

9 Connecting the refrigerator

9.1 Connecting to the gas supply



NOTICE!

- This refrigerator may only be connected to the gas supply by a specialist in accordance with the applicable guidelines and standards.
- Only use cylinders of propane or butane gas (not natural gas or city gas) with an approved pressure reduction valve and suitable head. Compare the pressure information on the type plate with the pressure information on the pressure regulator on the propane or butane gas cylinder.
- **Only** operate the refrigerator at the pressure shown on the type plate.
- Please note the pressures which are permitted in your country. Use a DIN-DVGW-approved pressure regulator with a fixed setting:
 - The following applies for Germany: DIN EN 12864
 - The following applies for Europe: EN 732 and EN 1949



NOTE

The refrigerator is equipped for a connection pressure of 30 mbar. Use a Truma VDR 50/30 back-pressure regulator when connected to a 50 mbar system.

It must be possible to shut off the refrigerator from the gas line separately by means of a shut-off device. The shut-off device must be easily accessible.

- ▶ Connect the refrigerator to the gas supply securely and without any voltage according to fig. **14**, page 11.
The following applies for Europe: Use a cutting ring fitting in accordance with EN 1949.
A hose connection is not permitted.
- ▶ Have a leak test and a flame test performed in accordance with EN 1949 by an authorised specialist.
Ensure you are issued with a certificate of inspection.

9.2 Connecting to 12 V --- and 230 V \sim



NOTICE!

- The electrical installation and repairs may only be performed by a specialist in accordance with the applicable regulations and standards.
- According to EN 1648-1, the respective negative and positive cables of the DC connections for heating and lighting may not be joined with one another in a caravan. This can cause electrical interference or damage to electrical components.
- The inverter may only be connected by a specialist.



NOTE

- The mains socket must be easily accessible so that you can unplug the power cord if required, thereby disconnecting the refrigerator from the power.
- The plug of the AC connection cable must not be cut off.
- The connection cables must be laid so that they do not come in contact with hot parts of the unit/burner or with sharp edges.
- Changes to the internal electrical installation or the connection of other electrical components (e.g. extra third party fans) to the internal wiring of the refrigerator will void the E1/CE approval and any claims from the guarantee and product liability.

- Connect the RM5310/RM5330/RM5380 refrigerators according to fig. **15**, page 12 (without lighting), and fig. **16**, page 13 (with lighting):

Item	Description
1	Heating element DC
2	DC connection cable
3	Terminal strip for the DC power supply of the heating cartridge
4	Positive cable of the heating cartridge
5	Earth cable of the heating cartridge
6	Positive cable of the lighting
7	Reed contact switch (sensor switch)
8	Galvanometer
9	LED lighting
10	Thermal power adapter

Item	Description
11	Heating element AC
12	AC power connection cable
13	Housing earth (upper section)

AC power

- Connect the refrigerator with the mains plug to an AC socket.

DC power

Please note the following cable sizes:

- < 6 m (interior): 4 mm²
- > 6 m (interior): 6 mm²
- Connections D+ and S+: 1 mm²
- Cable fed via drawbar (caravans only): 2,5 mm²
- Secure the power supply line to the heating element (connections **3** and **4**) with a 15 A fuse and the supply for lighting/electronics (connections **5** and **6**) with a 2 A fuse.
- Connect the heating element (connections **3** and **4**) with the shortest possible cable.
- Run the cable to the heating element (connections **3** and **4**) via a relay controlled by an ignition socket to prevent the vehicle battery from completely discharging if the engine is switched off accidentally (fig. **17**, page 14).

10 Cleaning and maintenance

**WARNING!**

Always disconnect the refrigerator from the mains before you clean and service it.

**NOTICE! Beware of damage**

- Do not allow grease or oil to come into contact with the door seal.
- Do not use abrasive cleaning agents or hard objects during cleaning as these can damage the refrigerator.

- Occasionally clean the refrigerator interior and exterior with a damp cloth.
- Make sure that the air vents on the refrigerator are free of any dust and dirt so that heat can be released and the refrigerator is not damaged.

11 Warranty

The statutory warranty period applies. If the product is defective, please contact the manufacturer's branch in your country (see dometic.com/dealer) or your retailer.

For repair and warranty processing, please include the following documents when you send in the device:

- A copy of the receipt with purchasing date
- A reason for the claim or description of the fault


12 Disposal

- Place the packaging material in the appropriate recycling waste bins, wherever possible.



If you wish to finally dispose of the product, ask your local recycling center or specialist dealer for details about how to do this in accordance with the applicable disposal regulations.

13 Technical data

	RM5310	RM5330	RM5380
Voltage:	230 V~ 12 V===		
Gross capacity:	60 l	70 l	80 l
Net capacity:	55 l	65 l	75 l
Connection value:	125 W (230 V~) 120 W (12 V===) 18.3 g/h (gas)		
Ice compartment:	5 l		
Power consumption:	2.5 kWh/24 h (230 V) 240 Ah/24 h (12 V)		
Gas consumption:	270 g/24 h		
Climatic class:	SN		
Ambient temperature:	+10 °C to +32 °C		
Ignition:	Manual	Manual	Manual
Power choice:	Manual	Manual	Manual
Dimensions:	fig. 1 , page 3		
Weight:	20 kg	22 kg	24 kg
Inspection/certification:			

Lesen und befolgen Sie bitte alle Anweisungen, Richtlinien und Warnhinweise in diesem Produkthandbuch sorgfältig, um sicherzustellen, dass Sie das Produkt ordnungsgemäß installieren und stets ordnungsgemäß betreiben und warten. Diese Anleitung MUSS bei dem Produkt verbleiben.

Durch die Verwendung des Produktes bestätigen Sie hiermit, dass Sie alle Anweisungen, Richtlinien und Warnhinweise sorgfältig gelesen haben und dass Sie die hierin dargelegten Bestimmungen verstanden haben und ihnen zustimmen. Sie erklären sich damit einverstanden, dieses Produkt nur für den angegebenen Verwendungszweck und gemäß den Anweisungen, Richtlinien und Warnhinweisen dieses Produkthandbuchs sowie gemäß allen geltenden Gesetzen und Vorschriften zu verwenden. Eine Nichtbeachtung der hierin enthaltenen Anweisungen und Warnhinweise kann zu einer Verletzung Ihrer selbst und anderer Personen, zu Schäden an Ihrem Produkt oder zu Schäden an anderem Eigentum in der Umgebung führen. Dieses Produkthandbuch, einschließlich der Anweisungen, Richtlinien und Warnhinweise, sowie die zugehörige Dokumentation können Änderungen und Aktualisierungen unterliegen. Aktuelle Produktinformationen finden Sie unter documents.dometic.com, dometic.com.

Inhaltsverzeichnis

1	Erklärung der Symbole	31
2	Sicherheitshinweise	31
3	Lieferumfang	33
4	Zubehör	33
5	Bestimmungsgemäßer Gebrauch	34
6	Kühlschrank einbauen	34
7	Türanschlag wechseln	39
8	Türdekor einsetzen	39
9	Kühlschrank anschließen	40
10	Reinigung und Pflege	43
11	Garantie	43
12	Entsorgung	43
13	Technische Daten	44

1 Erklärung der Symbole

**WARNUNG!**

Sicherheitshinweis auf eine Gefahrensituation, die zum Tod oder zu schwerer Verletzung führen kann, wenn sie nicht vermieden wird.

**VORSICHT!**

Sicherheitshinweis auf eine Gefahrensituation, die zu einer leichten oder mittelschweren Verletzung führen kann, wenn sie nicht vermieden wird.

**ACHTUNG!**

Hinweis auf eine Situation, die zu Sachschäden führen kann, wenn sie nicht vermieden wird.

**HINWEIS**

Ergänzende Informationen zur Bedienung des Produktes.

2 Sicherheitshinweise



WARNUNG! Nichtbeachtung dieser Sicherheitshinweise kann zum Tod oder zu schweren Verletzungen führen.

Explosionsgefahr

- Öffnen Sie niemals das Absorberaggregat. Es steht unter hohem Druck und kann Verletzungen verursachen, wenn es geöffnet wird.
- Das Gerät darf **ausschließlich** mit dem auf dem Typenschild angegebenen Druck betrieben werden. Verwenden Sie nur fest-eingestellte Druckregler, die den nationalen Vorschriften entsprechen (in Europa EN 12864).

Brandgefahr

- Achten Sie auf eine saubere und rückstandsfreie Verarbeitung, wenn Silikon-Dichtungsmasse o. Ä. verwendet wird. Kommen Silikonfäden mit heißen Teilen oder offenen Flammen in Berührung, besteht Brandgefahr.
- Prüfen Sie das Gerät niemals mit einer offenen Flamme auf Undichtigkeit.
- Verwenden Sie nur Propan- oder Butangas (**kein** Erdgas).

Gesundheitsgefahr

- Wenn das Gerät sichtbare Beschädigungen aufweist, dürfen Sie ihn nicht in Betrieb nehmen.
- Wenn das Wechselstrom-Anschlusskabel dieses Geräts beschädigt wird, muss es durch den Hersteller, seinen Kundendienst oder eine ähnlich qualifizierte Person ersetzt werden, um Gefährdungen zu vermeiden.
- Reparaturen an diesem Gerät dürfen nur von Fachkräften durchgeführt werden. Durch unsachgemäße Reparaturen können erhebliche Gefahren entstehen.

Erstickungsgefahr

- Demontieren Sie alle Gerätetüren bei Entsorgung des Altgerätes und belassen Sie die Ablagen im Gerät, um ein versehentliches Einschließen und Erstickten zu verhindern.



VORSICHT! Nichtbeachtung dieser Sicherheitshinweise kann zu leichten oder mittelschweren Verletzungen führen.

Stromschlag

- Achten Sie vor der Inbetriebnahme darauf, dass Zuleitung und Stecker trocken sind.

Quetschgefahr

- Fassen Sie nicht in das Scharnier.



ACHTUNG! Beschädigungsgefahr

- Halten Sie das Gerät beim Transport nur am Gerätekorpus fest. Halten Sie das Gerät niemals am Absorberaggregat, den Kühlrippen, den Gasleitungen, der Tür oder der Bedienblende fest.
- Achten Sie beim Transport darauf, den Kühlkreislauf nicht zu beschädigen. Das Kältemittel im Kühlkreislauf ist leicht entflammbar. Bei einer Beschädigung des Kühlkreislaufs (Ammoniakgeruch):
 - Schalten Sie gegebenenfalls das Gerät aus.
 - Vermeiden Sie offenes Feuer und Zündfunken.
 - Lüften Sie den Raum gut.
- Bauen Sie das Gerät nicht in der Nähe von offenen Flammen oder anderen Wärmequellen (Heizung, Gasöfen usw.) ein.
- **Überhitzungsgefahr!**
Achten Sie stets darauf, dass beim Betrieb entstehende Wärme ausreichend abgeführt werden kann. Sorgen Sie dafür, dass das Gerät in ausreichendem Abstand zu Wänden oder Gegenständen steht, sodass die Luft zirkulieren kann.

- Vergleichen Sie die Spannungsangabe auf dem Typenschild mit der vorhandenen Energieversorgung.
- Öffnen Sie auf keinen Fall den Kühlkreislauf.
- Schließen Sie das Gerät nur mit dem zugehörigen Wechselstrom-Anschlusskabel an die Wechselstromsteckdose an.
- Verwenden Sie nur Kabel mit passendem Leitungsquerschnitt.
- Ziehen Sie den Stecker nie am Anschlusskabel aus der Steckdose.
- Das Gerät darf keinem Regen ausgesetzt werden.

3 Lieferumfang

- Kühlschrank
- Abdeckkappen
- Eiswürfelschale
- Bedienungsanleitung
- Montageanleitung

4 Zubehör

Als Zubehör erhältlich (nicht im Lieferumfang enthalten):

Bezeichnung	Artikel-Nr.
Lüfterkit	9105900007
Lüftungsgitter LS100, mit Abgasführung und Winterabdeckung	
weiß	9105900012
beige	9105900011
Lüftungsgitter LS200, ohne Abgasführung, mit Winterabdeckung	
weiß	9105900014
beige	9105900013

Bei Fragen zu Zubehör wenden Sie sich bitte an Ihren Service-Partner.

5 Bestimmungsgemäßer Gebrauch

Der Kühlschrank ist für den Einbau in Wohnwagen oder Wohnmobile ausgelegt. Er eignet sich ausschließlich zum Kühlen, Gefrieren und Lagern von Lebensmitteln. Der Kühlschrank ist nicht für die fachgerechte Lagerung von Medikamenten vorgesehen.

Der Kühlschrank ist für den Betrieb am Gleichstromnetz und an einer Wechselstromsteckdose ausgelegt und kann mit Flüssiggas (Propan oder Butan) betrieben werden. Der Kühlschrank darf **nicht** mit Erdgas oder Stadtgas betrieben werden. Der Kühlschrank RM5385 benötigt zusätzlich immer eine Gleichstrom-Dauerversorgung.

Dieses Produkt ist nur für den angegebenen Verwendungszweck und die Anwendung gemäß dieser Anleitung geeignet.

Dieses Handbuch enthält Informationen, die für die ordnungsgemäße Installation und den ordnungsgemäßen Betrieb des Produkts erforderlich sind. Installationsfehler und/oder ein nicht ordnungsgemäßer Betrieb oder nicht ordnungsgemäße Wartung haben eine unzureichende Leistung und u. U. einen Ausfall des Geräts zur Folge.

Der Hersteller übernimmt keine Haftung für Verletzungen oder Schäden am Produkt, die durch Folgendes entstehen:

- Unsachgemäße Montage oder falscher Anschluss, einschließlich Überspannung
- Unsachgemäße Wartung oder Verwendung von anderen als den vom Hersteller gelieferten Original-Ersatzteilen
- Veränderungen am Produkt ohne ausdrückliche Genehmigung des Herstellers
- Verwendung für andere als die in der Anleitung beschriebenen Zwecke

Dometic behält sich das Recht vor, das Erscheinungsbild des Produkts und dessen technische Daten zu ändern.

6 Kühlschrank einbauen

6.1 Einbau vorbereiten

Beachten Sie bei der Montage des Kühlschranks folgende Hinweise:

- Damit das Kältemittel ordnungsgemäß zirkulieren kann, darf der Kühlschrank einen Neigungswinkel von 3° nicht überschreiten.
Stellen Sie hierzu das Fahrzeug mit Hilfe einer Wasserwaage waagrecht ab.

- Der Kühlschrank muss so eingebaut werden, dass er für Servicearbeiten gut zugänglich ist, leicht aus- und eingebaut und ohne großen Aufwand aus dem Fahrzeug entnommen werden kann.
- Der Abstand zwischen Kühlschrank und Rückwand muss min. 15 mm – max. 25 mm betragen (Abb. **3**, Seite 5).
- Der Kühlschrank muss in eine Nische eingebaut werden, damit er bei Bewegung des Fahrzeugs fest steht. Beachten Sie hierzu folgende Abmessungen (H x B x T in mm, Abb. **1**, Seite 3):
 - **RM 5310**: 618 x 486 x 474
 - **RM 5330**: 821 x 486 x 474
 - **RM 5380**: 821 x 486 x 474
- In der Außenwand muss eine Belüftungsöffnung (Abb. **2** 2, Seite 4) und eine Entlüftungsöffnung (Abb. **2** 3, Seite 4) mit Lüftungsgitter vorgesehen werden, damit die entstehende Wärme gut nach außen abgegeben werden kann:
 - Belüftungsöffnung: Lüftungsgitter möglichst bündig zur Unterseite der Brennerabdeckung (Abb. **2** 1, Seite 4) mit einem Querschnitt von mindestens 250 cm².
 - Entlüftungsöffnung: möglichst oberhalb des Kühlschranks. Hier kann auch ein Lüftungsgitter mit integrierter Abgasführung verwendet werden.
- Falls das Lüftungsgitter der Belüftungsöffnung nicht bündig zum Boden eingebaut werden kann, muss zusätzlich eine Belüftungsöffnung (Abb. **2** 5, Seite 4) im Fußboden zum Abführen von ausgetretenem Gas vorgesehen werden.
- Für die Kühlschränke RM 5380 muss immer eine Belüftungsöffnung (Abb. **2** 5, Seite 4) im Fußboden vorgesehen werden.
- Die Lüftungsöffnungen dürfen im Betrieb nicht durch Fahrzeugteile abgedeckt werden (z. B. geöffnete Tür oder durch den Anbau von Zubehör wie Fahrradträger).
- An der Rückseite des Kühlschranks muss ausreichend Raum vorhanden sein, damit die Luft um das Kühlelement zirkulieren kann.
- Sehen Sie oberhalb des Kühlschranks ein Wärmeleitblech vor (Abb. **2** 4, Seite 4), damit sich die Wärme nicht im Fahrzeug staut.
- Installieren Sie den Kühlschrank geschützt gegen übermäßige Wärmeeinstrahlung, da diese zu Leistungseinbußen und erhöhtem Energieverbrauch des Kühlschranks führt.
- Die elektrische Installation muss nach den nationalen und örtlichen Vorschriften erfolgen.
Europäische Normen: EN 60335-1, EN 60335-2-24, EN 1648-1 und EN 1648-2.

- Die Gas-Installation muss nach den nationalen und örtlichen Vorschriften erfolgen.
Europäische Norm: EN 1949.
- Der Kühlschrank muss nach EN 1949 zugdicht eingebaut werden, siehe Kapitel „Kühlschrank zugdicht einbauen“ auf Seite 36.

6.2 Kühlschrank zugdicht einbauen

Gasbetriebene Kühlgeräte in Wohnwagen oder Wohnmobilen müssen nach EN 1949 zugdicht eingebaut werden. Das bedeutet, dass die Verbrennungsluft nicht dem Innenraum entnommen wird und die Abgase am direkten Eintritt in den Wohnraum gehindert werden.

Zwischen Rückwand des Kühlschranks und dem Innenraum des Fahrzeugs muss eine geeignete Abdichtung vorgesehen werden.



WARNUNG! Brandgefahr!

Verwenden Sie zum zugdichten Einbau keine leicht entflammaren Materialien wie Silikon-Dichtungsmassen, Montageschaum oder Ähnliches.

Der Hersteller empfiehlt, eine flexible Dichtung zu verwenden, um den Aus- und Einbau für Wartungszwecke zu vereinfachen.

- ▶ Befestigen Sie die Dichtlippen (Abb. **4** 1, Seite 5) an einer Anschlagleiste hinter dem Kühlschrank, z. B. durch Kleben.
- ▶ Schieben Sie den Kühlschrank bei der Montage gegen die Anschlagleisten mit den Dichtlippen. Dadurch ist der Raum hinter dem Kühlschrank zum Innenraum des Fahrzeugs abgedichtet.

6.3 Lüftungsöffnungen herstellen



HINWEIS

Bei hohen Umgebungstemperaturen kann der Kühlschrank nur dann seine maximale Kühlleistung erbringen, wenn für eine optimale Be- und Entlüftung gesorgt ist.

- ▶ Fertigen Sie eine Belüftungs- und eine Entlüftungsöffnung in der Außenwand mit der Größe 451 mm x 156 mm an. Beachten Sie dabei die Hinweise, siehe Kapitel „Einbau vorbereiten“ auf Seite 34.

Falls das Lüftungsgitter der Belüftungsöffnung nicht bündig zum Boden der Einbaunische eingebaut werden kann, müssen Sie eine Belüftungsöffnung im Fußboden einbauen:

- ▶ Fertigen Sie hinter dem Kühlschrank im Bereich des Gasbrenners eine Belüftungsöffnung mit einem Durchmesser von mindestens 40 mm im Boden an (Abb. **2**, Seite 4). Das Belüftungsrohr muss direkt nach außen führen. So kann austretendes unverbranntes Gas nach außen entweichen.
- ▶ Schirmen Sie das Ende der Öffnung mit einem Ablenker ab, damit während der Fahrt kein Schlamm oder Dreck eindringen kann (Abb. **5**, Seite 5).

6.4 Lüftungsgitter montieren

LS100

Pos. in Abb. 6 , Seite 6	Bezeichnung
1	Einbaurahmen
2	Lüftungsgitter
3	Einsatz für Abgasführung
4	Winterabdeckung

LS200

Pos. in Abb. 7 , Seite 6	Bezeichnung
1	Einbaurahmen
2	Lüftungsgitter
3	Winterabdeckung

Gehen Sie wie folgt vor (Abb. **8**, Seite 7):

- ▶ Dichten Sie den Einbaurahmen wasserdicht ab (**A**).
- ▶ Setzen Sie den Einbaurahmen ein und schrauben Sie ihn fest (**B**).
- ▶ Setzen Sie das Lüftungsgitter ein und verriegeln Sie es (**C**).

Nur bei LS 100

- Setzen Sie den Einsatz für die Abgasführung ein (**D**).

6.5 Abgasführung montieren

Gehen Sie wie folgt vor (Abb. **9**, Seite 7):

- Setzen Sie das T-Stück (**1**) auf den Adapter (**2**) und auf das Abgasrohr (**3**)
- Fixieren Sie T-Stück, Adapter und Abgasrohr mit einer Schraube (**4**).
- Achten Sie darauf, dass der Heizverteiler (**5**) in der dafür vorgesehenen Position sitzt.
- Stecken Sie das Abgasrohr mit der Abdeckplatte (**7**) durch die dafür vorgesehene Öffnung des Einbaurahmens (**6**).
- Verbinden Sie Abgasrohr und Abdeckplatte mit dem T-Stück (**1**).
- Kürzen Sie das Abgasrohr (**7**) eventuell auf die richtige Länge.
- Setzen Sie das Lüftungsgitter LS100 (**9**) in den Einbaurahmen (**6**) ein und verriegeln Sie es.
- Stecken Sie die Abdeckkappe (**8**) auf das Abgasrohr (**7**).
- Setzen Sie den Einsatz für die Abgasführung (**10**) in das Lüftungsgitter (**9**) ein.

6.6 Kühlschrank befestigen**VORSICHT!**

Bohren Sie immer durch die dafür vorgesehenen Buchsen, da ansonsten eingeschäumte Bauteile wie Leitungen u.a. beschädigt werden können.

**HINWEIS**

Befestigen Sie die Seitenwände oder die angebrachten Leisten so, dass die Schrauben auch bei erhöhter Beanspruchung (während der Fahrt) fest sitzen.

- Bringen Sie den Kühlschrank in seine endgültige Lage.
- Drehen Sie vier Schrauben durch die vier Kunststoffbuchsen in den Seitenwänden des Kühlschranks (Abb. **10**, Seite 8) und weiter in die Nischenwand.

7 Türanschlag wechseln

Drehbare Türverriegelung

- Wechseln Sie den Türanschlag wie dargestellt (Abb. **11**, Seite 9).

2-Knopf-Türverriegelung

- Wechseln Sie den Türanschlag wie dargestellt (Abb. **12**, Seite 10).

8 Türdekor einsetzen



ACHTUNG! Beschädigungsgefahr!

Legen Sie den Kühlschrank nur auf die Seite und nie auf die Rückseite. Das Aggregat kann sonst beschädigt werden.

Das Türdekor muss folgende Abmessungen aufweisen:

- **RM 5310:** 534 x 455 x max. 3 – 3,8 (H x B x T in mm)
- **RM 5330/RM 5380:** 740 x 455 x max. 3 – 3,8 (H x B x T in mm)

- Setzen Sie das Türdekor wie dargestellt ein (Abb. **13**, Seite 11).

9 Kühlschrank anschließen

9.1 An die Gasversorgung anschließen



ACHTUNG!

- Der Kühlschrank darf nur von einer Fachkraft gemäß den geltenden Vorschriften und Normen an die Gasversorgung angeschlossen werden.
- Verwenden Sie nur Propan- oder Butangasflaschen (kein Erdgas oder Stadtgas) mit geprüftem Druckreduzierventil und passendem Kopfstück. Vergleichen Sie die Druckangabe auf dem Typenschild mit der Druckangabe auf dem Druckregler der Propan- oder Butangasflasche.
- Der Kühlschrank darf **ausschließlich** mit dem auf dem Typenschild angegebenen Druck betrieben werden.
- Bitte beachten Sie die in Ihrem Land zugelassenen Drücke. Verwenden Sie einen festeingestellten DIN-DVGW-anerkannten Druckregler:
 - Für Deutschland gilt: DIN EN 12864
 - Für Europa gilt: EN 732 und EN 1949



HINWEIS

Der Kühlschrank ist für einen Anschlussdruck von 30 mbar ausgerüstet. Verwenden Sie bei einem Anschluss an eine 50-mbar-Anlage den Truma Vordruckregler VDR 50/30.

Der Kühlschrank muss durch eine Absperrinrichtung in der Gasleitung separat absperrbar sein. Die Absperrinrichtung muss leicht zugänglich sein.

- ▶ Verbinden Sie den Kühlschrank gemäß Abb. **14**, Seite 11 mit der Gasversorgung fest und spannungsfrei.
Für Europa gilt: Verwenden Sie eine Schneidringverschraubung nach EN 1949. Ein Schlauchanschluss ist nicht zulässig.
- ▶ Lassen Sie nach der fachgerechten Installation eine Dichtheitsprüfung und eine Flammprobe gemäß EN 1949 von einer autorisierten Fachkraft durchführen. Lassen Sie eine Bescheinigung dieser Prüfung ausstellen.

9.2 An 12 V --- und 230 V \sim anschließen



ACHTUNG!

- Die elektrische Installation sowie Reparaturen dürfen nur von einer Fachkraft gemäß den geltenden Vorschriften und Normen ausgeführt werden.
- Laut EN 1648-1 dürfen im Caravan die jeweiligen Minus- und Plusleitungen der Gleichstrom-Anschlüsse für Heizelement und Beleuchtung nicht miteinander verbunden werden. Es kann sonst zu elektrischer Beeinflussung oder Beschädigung elektrischer Bauteile kommen.
- Der Einbau eines Wechselrichters darf nur von einer Fachkraft ausgeführt werden.



HINWEIS

- Die Netzsteckdose muss gut erreichbar sein, sodass Sie bei Bedarf den Netzstecker ziehen und den Kühlschrank dadurch vom Netz trennen können.
- Der Stecker des Wechselstrom-Anschlusskabels darf nicht abgeschnitten werden.
- Die Anschlusskabel müssen so verlegt sein, dass sie nicht mit heißen Teilen des Aggregats/Brenners oder mit scharfen Kanten in Berührung kommen.
- Veränderungen an der internen elektrischen Installation oder der Anschluss anderer elektrischer Komponenten (z. B. fremder Zusatzlüfter) an der internen Verkabelung des Kühlschranks führen zum Erlöschen der E1/CE-Zulassung sowie jeglicher Ansprüche aus Gewährleistung und Produkthaftung!

- Schließen Sie die Kühlschränke RM5310/RM5330/RM5380 gemäß Abb. **15**, Seite 12 (ohne Beleuchtung) und Abb. **16**, Seite 13 (mit Beleuchtung) an:

Pos.	Bezeichnung
1	Gleichstrom-Heizelement
2	Gleichstrom-Anschlusskabel
3	Klemmleiste für den Gleichstromanschluss der Heizpatrone
4	Plusleitung der Heizpatrone
5	Masseleitung der Beleuchtung
6	Plusleitung der Beleuchtung

Pos.	Bezeichnung
7	Reed-Kontakt (Sensorschaltung)
8	Galvanometer
9	LED-Beleuchtung
10	Thermostrom-Adapter
11	Wechselstrom-Heizelement
12	Wechselstrom-Anschlusskabel
13	Masse des Gehäuses (Oberteil)

Wechselstrom

- Schließen Sie den Kühlschrank mit dem Netzstecker an eine Wechselstromsteckdose an.

Gleichstrom

Beachten Sie folgende Leitungsquerschnitte:

- < 6 m (im Innenraum): 4 mm²
 - > 6 m (im Innenraum): 6 mm²
 - Verbindungen D+ und S+: 1 mm²
 - Über Deichsel geführte Kabel (nur Caravan): 2,5 mm²
- Sichern Sie die Zuleitung zum Heizelement (Anschlüsse **3** und **4**) mit einer 15-A-Sicherung und die Zuleitung zur Beleuchtung/Elektronik (Anschlüsse **5** und **6**) mit einer 2-A-Sicherung ab.
 - Schließen Sie das Heizelement (Anschlüsse **3** und **4**) mit einem möglichst kurzen Kabel an.
 - Führen Sie die Zuleitung zum Heizelement (Anschlüsse **3** und **4**) über ein zündschlossgesteuertes Relais, um zu verhindern, dass die Fahrzeugbatterie bei versehentlich abgeschaltetem Motor komplett entladen wird (Abb. **17**, Seite 14).

10 Reinigung und Pflege

**WARNUNG!**

Trennen Sie vor jeder Reinigung und Pflege den Kühlschrank vom Netz.

**ACHTUNG! Beschädigungsgefahr!**

- Bringen Sie die Türdichtung nicht mit Öl oder Fett in Berührung.
- Verwenden Sie zur Reinigung keine scharfen Reinigungsmittel oder harten Gegenstände, da diese den Kühlschrank beschädigen können.

- ▶ Reinigen Sie den Kühlschrank innen und außen gelegentlich mit einem feuchten Tuch.
- ▶ Stellen Sie sicher, dass die Lüftungsöffnungen des Kühlschranks frei von Staub und Verunreinigungen sind, damit die beim Betrieb entstehende Wärme abgeführt werden kann und der Kühlschrank keinen Schaden nimmt.

11 Garantie

Es gilt die gesetzliche Gewährleistungsfrist. Sollte das Produkt defekt sein, wenden Sie sich bitte an die Niederlassung des Herstellers in Ihrem Land (siehe dometic.com/dealer) oder an Ihren Fachhändler.

Zur Reparatur- bzw. Gewährleistungsbearbeitung müssen Sie folgende Unterlagen mitschicken:

- eine Kopie der Rechnung mit Kaufdatum,
- einen Reklamationsgrund oder eine Fehlerbeschreibung.



12 Entsorgung

- ▶ Geben Sie das Verpackungsmaterial möglichst in den entsprechenden Recycling-Müll.



Wenn Sie das Produkt endgültig außer Betrieb nehmen, informieren Sie sich bitte beim nächsten Recyclingcenter oder bei Ihrem Fachhändler über die zutreffenden Entsorgungsvorschriften.

13 Technische Daten

	RM5310	RM5330	RM5380
Anschlussspannung:	230 V~ 12 V===		
Bruttinhalt:	60 l	70 l	80 l
Nettoinhalt:	55 l	65 l	75 l
Anschlusswerte:	125 W (230 V~) 120 W (12 V===) 18,3 g/h (Gas)		
Frosterfach:	5 l		
Energieverbrauch:	2,5 kWh/24 h (230 V) 240 Ah/24 h (12 V)		
Gasverbrauch:	270 g/24 h		
Klimaklasse:	SN		
Umgebungstemperatur:	+10 °C bis +32 °C		
Zündung:	Manuell	Manuell	Manuell
Energiewahl:	Manuell	Manuell	Manuell
Abmessungen:	Abb. 1 , Seite 3		
Gewicht:	20 kg	22 kg	24 kg
Prüfung/Zertifikat:	 		

Veillez lire et suivre attentivement l'ensemble des instructions, directives et avertissements figurant dans ce manuel afin de vous assurer que vous installez, utilisez et entretenez le produit correctement à tout moment. Ces instructions DOIVENT rester avec ce produit.

En utilisant le produit, vous confirmez par la présente que vous avez lu attentivement l'ensemble des instructions, directives et avertissements et que vous comprenez et acceptez de respecter les modalités et conditions énoncées dans le présent document. Vous acceptez d'utiliser ce produit uniquement pour l'usage et l'application prévus et conformément aux instructions, directives et avertissements figurant dans le manuel du produit, ainsi qu'à toutes les lois et réglementations applicables. Si vous ne lisez et ne respectez pas les instructions et les avertissements figurant dans ce manuel, vous risquez de vous blesser ou de blesser d'autres personnes, d'endommager votre produit ou d'endommager d'autres biens à proximité. Le présent manuel produit, y compris les instructions, directives et avertissements, ainsi que la documentation associée peuvent faire l'objet de modifications et de mises à jour. Pour obtenir des informations actualisées sur le produit, rendez-vous sur documents.domestic.com, domestic.com.

Sommaire

1	Signification des symboles	45
2	Consignes de sécurité	46
3	Pièces fournies	48
4	Accessoires	48
5	Usage conforme	49
6	Installation du réfrigérateur	50
7	Modification du côté d'ouverture de la porte	54
8	Mise en place du décor de la porte	54
9	Raccordement du réfrigérateur	55
10	Entretien et nettoyage	58
11	Garantie	58
12	Retraitement	59
13	Caractéristiques techniques	59

1 Signification des symboles



AVERTISSEMENT !

Consigne de sécurité signalant une situation dangereuse qui peut entraîner la mort ou de graves blessures si elle n'est pas évitée.



ATTENTION !

Consigne de sécurité signalant une situation dangereuse qui peut entraîner des blessures de gravité moyenne ou légère si elle n'est pas évitée.

**AVIS !**

Remarque signalant une situation qui peut entraîner des dommages matériels si elle n'est pas évitée.

**REMARQUE**

Informations complémentaires sur l'utilisation du produit.

2 Consignes de sécurité



AVERTISSEMENT ! Le non-respect de ces mises en garde peut entraîner des blessures graves, voire mortelles.

Risque d'explosion

- N'ouvrez jamais le module de l'absorbeur. Il se trouve sous haute pression et peut provoquer des blessures si il est ouvert.
- Faites fonctionner le réfrigérateur **uniquement** avec une pression correspondant à celle indiquée sur la plaque signalétique. Utilisez uniquement des régulateurs de pression à réglage fixe correspondant aux prescriptions nationales (en Europe EN 12864).

Risque d'incendie

- Assurez un traitement propre et sans traces lorsque du mastic au silicone ou un produit similaire est utilisé. Tout contact de fils de silicone avec des pièces chaudes ou des flammes nues présente un risque d'incendie.
- Ne contrôlez jamais l'étanchéité du réfrigérateur à l'aide d'une flamme nue.
- Utilisez uniquement du gaz propane ou butane (**pas de** gaz naturel).

Risque pour la santé

- Si le réfrigérateur présente des dégâts visibles, vous ne devez pas le mettre en service.
- Si le câble de raccordement en courant alternatif du réfrigérateur est endommagé, il doit être remplacé par le fabricant, son service après-vente ou une personne de qualification similaire, afin d'éviter tout danger.
- Seul un professionnel est habilité à réparer le réfrigérateur. Toute réparation mal effectuée risquerait d'entraîner de graves dangers.

Risque d'asphyxie

- Démontez toutes les portes du réfrigérateur lors du retraitement d'un ancien réfrigérateur et laissez les tablettes dans le réfrigérateur afin d'éviter tout risque d'enfermement et d'asphyxie accidentels.

**ATTENTION ! Le non-respect de ces mises en garde peut entraîner des blessures légères ou de gravité modérée.****Choc électrique**

- Avant de mettre l'appareil en service, assurez-vous que la ligne d'alimentation électrique et le connecteur sont secs.

Risque d'écrasement

- Ne touchez pas la charnière.

**AVIS ! Risque d'endommagement**

- Lors du transport, ne fixez le réfrigérateur que par le corps du réfrigérateur. Ne le fixez jamais au module de l'absorbeur, aux ailettes de refroidissement, aux conduites de gaz, à la porte ou au panneau de commande.
- Lors du transport, veillez à ne pas endommager le circuit frigorifique. Le réfrigérant du circuit frigorifique s'enflamme facilement. En cas d'endommagement du circuit frigorifique (odeur d'ammoniaque) :
 - Le cas échéant, éteignez le réfrigérateur.
 - Évitez tout feu ouvert et toute étincelle.
 - Aérez bien la pièce.
- Ne montez pas le réfrigérateur près de flammes nues ou d'autres sources de chaleur (chauffage, fours à gaz, etc.).
- **Risque de surchauffe !**
Veillez toujours à ce que la chaleur produite lors du fonctionnement puisse se dissiper suffisamment. Veillez à ce que le réfrigérateur se trouve à distance suffisante des murs ou des objets, de sorte que l'air puisse circuler.
- Vérifiez que la tension indiquée sur la plaque signalétique correspond à l'alimentation électrique dont vous disposez.
- N'ouvrez jamais le circuit frigorifique.
- Pour raccorder le réfrigérateur au courant alternatif, veuillez utiliser exclusivement la prise de courant correspondante.
- Utilisez uniquement des câbles de la section appropriée.

- Ne tirez jamais sur le câble de raccordement pour sortir la fiche de la prise.
- Le réfrigérateur ne doit pas être exposé à la pluie.

3 Pièces fournies

- Réfrigérateur
- Caches
- Bac à glaçons
- Notice d'utilisation
- Instructions de montage

4 Accessoires

Disponibles en accessoires (non compris dans la livraison) :

Désignation	N° d'article
Kit ventilateur	9105900007
Grille d'aération LS100, avec évacuation des gaz d'échappement et cache pour l'hiver	
blanc	9105900012
beige	9105900011
Grille d'aération LS200, sans évacuation des gaz d'échappement, avec cache pour l'hiver	
blanc	9105900014
beige	9105900013

En cas de questions concernant les accessoires, veuillez vous adresser à votre partenaire de service après-vente.

5 Usage conforme

Le réfrigérateur est conçu pour le montage dans les camping-cars et caravanes. Il convient uniquement pour réfrigérer, congeler et stocker des aliments. Le réfrigérateur n'est pas destiné au stockage conforme des médicaments.

Le réfrigérateur est conçu pour fonctionner sur l'alimentation CC et sur une prise de courant et peut fonctionner avec des gaz liquides (propane ou butane). Le réfrigérateur **ne doit pas** être utilisé avec du gaz naturel ou gaz de ville. Le réfrigérateur RM5385 a toujours besoin, en plus, d'une alimentation permanente en courant continu.

Ce produit convient uniquement à l'usage et à l'application prévus, conformément au présent manuel d'instructions.

Ce manuel fournit les informations nécessaires à l'installation et/ou à l'utilisation correcte du produit. Une installation, une utilisation ou un entretien inappropriés entraînera des performances insatisfaisantes et une éventuelle défaillance.

Le fabricant décline toute responsabilité en cas de blessure ou de dommage résultant :

- d'un montage ou d'un raccordement incorrect, y compris d'une surtension
- d'un entretien inadapté ou de l'utilisation de pièces de rechange autres que les pièces de rechange d'origine fournies par le fabricant
- des modifications apportées au produit sans autorisation explicite du fabricant ;
- des usages différents de ceux décrits dans le manuel.

Dometic se réserve le droit de modifier l'apparence et les spécifications produit.

6 Installation du réfrigérateur

6.1 Préparation au montage

Tenez compte des remarques suivantes lors du montage du réfrigérateur :

- Pour que le frigorigène puisse circuler correctement, le réfrigérateur ne doit pas dépasser un angle d'inclinaison de 3°.
Pour ce faire, garez le véhicule à l'horizontale à l'aide d'un niveau à bulle.
- Le réfrigérateur doit être installé de sorte à être facilement accessible pour les travaux de maintenance, et à ce qu'il puisse être installé et retiré sans trop d'effort du véhicule.
- La distance entre le réfrigérateur et le mur arrière doit être min. 15 mm – max. 25 mm (fig. **3**, page 5).
- Le réfrigérateur doit être construit dans une alcôve, afin qu'il soit stable lorsque le véhicule se déplace. Pour ce faire, tenez compte des dimensions suivantes (H x B x T en mm, fig. **1**, page 3) :
 - **RM 5310** : 618 x 486 x 474
 - **RM 5330** : 821 x 486 x 474
 - **RM 5380** : 821 x 486 x 474
- La paroi extérieure doit comporter une ouverture de ventilation (fig. **2** 2, page 4) et une ouverture d'aération (fig. **2** 3, page 4) équipée d'une grille d'aération, afin que la chaleur formée puisse être évacuée correctement vers l'extérieur :
 - Ouverture de ventilation : placez la grille d'aération autant que possible au même niveau que le dessous du cache du brûleur (fig. **2** 1, page 4), avec une section d'au moins 250 cm².
 - Ouverture d'aération : si possible, au-dessus du réfrigérateur. Il est possible d'utiliser ici une grille d'aération avec évacuation intégrée des gaz d'échappement.
- Si la grille de ventilation de l'ouverture d'aération ne peut pas être montée à fleur du plancher, prévoyez en plus une ouverture d'aération (fig. **2** 5, page 4) dans le plancher pour évacuer les gaz.
- Pour les réfrigérateurs RM 5380, il faut toujours prévoir une ouverture d'aération (fig. **2** 5, page 4) dans le plancher.
- Les ouvertures d'aération ne doivent pas être recouvertes par des pièces du véhicule pendant le fonctionnement (p. ex. porte ouverte ou accessoires, comme porte-vélos).
- Il doit y avoir suffisamment de place au dos du réfrigérateur pour que l'air puisse circuler autour de l'élément réfrigérant.

- Prévoyez un déflecteur de chaleur au-dessus du réfrigérateur (fig. **2** 4, page 4) afin que la chaleur ne s'accumule pas dans le véhicule.
- Installez le réfrigérateur à l'abri d'un rayonnement excessif de chaleur, car cela conduit sinon à des pertes de la performance et augmente la consommation d'énergie du réfrigérateur.
- L'installation électrique doit être effectuée conformément aux règlements locaux et nationaux.
Normes européennes : EN 60335-1, EN 60335-2-24, EN 1648-1 et EN 1648-2.
- L'installation de gaz doit être effectuée conformément aux règlements locaux et nationaux.
Norme européenne : EN 1949.
- Le réfrigérateur doit être EN 1949 encastré sans passage d'air, voir chapitre « Encastrement du réfrigérateur sans passage d'air », page 51.

6.2 Encastrement du réfrigérateur sans passage d'air

Les appareils de refroidissement fonctionnant au gaz dans des camping-cars ou caravanes doivent être encastrés hermétiquement, selon la norme EN 1949. Cela signifie que l'air nécessaire à la combustion n'est pas pris dans l'habitacle et que les gaz d'échappement ne pénètrent pas directement dans l'espace habitable.

Un colmatage adapté doit être prévu entre l'arrière du réfrigérateur et l'intérieur du véhicule.



AVERTISSEMENT ! Risque d'incendie !

Pour l'encastrement hermétique, n'utilisez pas de matériaux facilement inflammables comme les mastics en silicone, mousse de montage, etc.

Le fabricant recommande d'utiliser un joint flexible afin de simplifier le démontage et le montage à des fins de maintenance.

- Fixez les lèvres d'étanchéité (fig. **4** 1, page 5) à une barre de butée derrière le réfrigérateur, p. ex. en les collant.
- Lors du montage, poussez le réfrigérateur contre les barres de butée avec les lèvres d'étanchéité. L'espace se trouvant derrière le réfrigérateur est ainsi hermétiquement séparé de l'habitacle du véhicule.

6.3 Découpe des ouvertures de ventilation



REMARQUE

En cas de températures ambiantes élevées, le réfrigérateur ne peut fournir sa puissance frigorifique maximale que si l'aération et la ventilation sont optimales.

- Pratiquez une ouverture d'aération et de ventilation de 451 mm x 156 mm dans la paroi extérieure. Ce faisant, respectez les consignes, voir chapitre « Préparation au montage », page 50.

Si la grille d'aération de l'ouverture d'aération ne peut pas être montée au même niveau que le plancher de l'alcôve, il faut prévoir en plus une ouverture d'aération dans le plancher du véhicule :

- derrière le réfrigérateur, dans la zone du brûleur, pratiquez une ouverture d'aération d'un diamètre d'au moins 40 mm dans le plancher (fig. **2** 4, page 4). Le tuyau de ventilation doit mener directement vers l'extérieur. Ainsi, le gaz non brûlé peut s'échapper vers l'extérieur.
- Protégez l'extrémité de l'ouverture avec un déflecteur pour que ni boue ni salissures ne puisse y pénétrer pendant le trajet (fig. **5**, page 5).

6.4 Montage de la grille de ventilation

LS100

Pos. dans fig. 6 , page 6	Désignation
1	Cadre de montage
2	Grilles d'aération
3	Insert pour évacuation des gaz d'échappement
4	Couvercle d'hivernage

LS200

Pos. dans fig. 7 , page 6	Désignation
1	Cadre de montage
2	Grilles d'aération
3	Couvercle d'hivernage

Procédez comme suit (fig. **8**, page 7) :

- ▶ Scellez le cadre de montage de manière étanche à l'eau (**A**).
- ▶ Insérez le cadre de montage et vissez-le (**B**).
- ▶ Insérez la grille d'aération et verrouillez-la (**C**).

Uniquement pour LS 100

- ▶ Insérez l'insert pour évacuation des gaz d'échappement (**D**).

6.5 Montage de l'évacuation des gaz d'échappement

Procédez comme suit (fig. **9**, page 7) :

- ▶ Placez la pièce en T (**1**) sur l'adaptateur (**2**) et sur le tuyau d'échappement (**3**).
- ▶ Fixez la pièce en T, l'adaptateur et le tuyau d'échappement avec une vis (**4**).
- ▶ Veillez à ce que le répartiteur de chaleur (**5**) se trouve dans la position prévue à cet effet.
- ▶ Enfoncez le tuyau d'échappement avec la plaque du cache (**7**) dans l'ouverture du cadre de montage prévue à cet effet (**6**).
- ▶ Raccordez le tuyau d'échappement et la plaque du cache à la pièce en T (**1**).
- ▶ Éventuellement, raccourcissez le tuyau d'échappement (**7**) à la bonne longueur.
- ▶ Insérez la grille d'aération LS100 (**9**) dans le cadre de montage (**6**) et verrouillez-la.
- ▶ Placez le cache (**8**) sur le tuyau d'échappement (**7**).
- ▶ Placez l'insert pour évacuation des gaz d'échappement (**10**) dans la grille d'aération (**9**).

6.6 Fixation du réfrigérateur



ATTENTION !

Percez toujours à travers les douilles prévues ; dans le cas contraire, les composants en mousse et les câbles, entre autres, pourraient être endommagés.



REMARQUE

Fixez les parois latérales ou les plinthes de telle sorte que les vis soient bien serrées, même sous une charge accrue (pendant la conduite).

- Placez le réfrigérateur à son emplacement définitif.
- Vissez quatre vis dans les quatre douilles en plastique des parois latérales du réfrigérateur (fig. **10**, page 8) puis dans la niche murale.

7 Modification du côté d'ouverture de la porte

Verrouillage rotatif de la porte

- Remplacez le côté d'ouverture de la porte comme représenté (fig. **11**, page 9).

Verrouillage à 2 boutons de la porte

- Remplacez le côté d'ouverture de la porte comme représenté (fig. **12**, page 10).

8 Mise en place du décor de la porte



AVIS ! Risque d'endommagement !

Placez le réfrigérateur uniquement sur le côté et jamais sur l'arrière. Cela pourrait endommager le groupe frigorifique !

Le décor de la porte doit avoir les dimensions suivantes :

- **RM5310** : 534 x 455 x max. 3 – 3,8 (h x l x p en mm).
 - **RM5330/RM5380** : 740 x 455 x max. 3 – 3,8 (h x l x p en mm).
- Insérez le décor de la porte comme indiqué sur l'illustration (fig. **13**, page 11).

9 Raccordement du réfrigérateur

9.1 Raccordement à l'alimentation en gaz



AVIS !

- Seul un spécialiste est habilité à raccorder le réfrigérateur à l'alimentation au gaz, conformément aux directives et normes en vigueur.
- Utilisez uniquement des bouteilles de gaz propane ou butane (pas de gaz naturel ou gaz de ville) dont la vanne de réduction de pression a été contrôlée et un embout correspondant. Vérifiez que les données inscrites sur le régulateur de pression de la bouteille de propane ou de butane correspondent aux données inscrites sur la plaque signalétique.
- Faites fonctionner le réfrigérateur **uniquement** avec une pression correspondant à celle indiquée sur la plaque signalétique.
- Veuillez tenir compte des pressions autorisées dans votre pays. Utilisez un régulateur de pression à réglage fixe reconnu DIN DVGW :
 - Pour l'Allemagne : DIN EN 12864
 - Pour l'Europe : EN 732 et EN 1949.



REMARQUE

Le réfrigérateur est équipé pour une pression de raccordement de 30 mbar. En cas de raccordement à une installation de 50 mbar, utilisez un régulateur de pression Truma VDR 50/30.

Le réfrigérateur doit pouvoir être séparé de la conduite de gaz par un dispositif de blocage. Le dispositif de blocage doit être facile d'accès.

- ▶ Raccordez le réfrigérateur à l'alimentation en gaz conformément à fig. **14**, page 11 de manière fixe et sans tension.
Pour l'Europe : Utilisez un raccord à bague coupante conforme EN 1949. Il est interdit d'utiliser un raccord pour tuyaux.
- ▶ Après l'installation dans les règles de l'art, faites effectuer un test d'étanchéité et un essai à la flamme selon la norme EN 1949 par un technicien agréé. Faites-vous remettre un certificat de ce test.

9.2 Raccordement à l'alimentation 12 V --- et 230 V \sim



AVIS !

- L'installation électrique et les réparations doivent être effectuées par un spécialiste, en conformité avec les règlements et les normes applicables.
- Selon la norme EN 1648-1, les lignes positives et négatives respectives des connecteurs à courant continu pour le chauffage et l'éclairage ne peuvent être raccordées ensemble dans une caravane. Cela peut provoquer des interférences électriques ou endommager des composants électriques.
- L'installation d'un onduleur doit être effectuée uniquement par un spécialiste.



REMARQUE

- La prise secteur doit être facile d'accès, de telle sorte que vous puissiez débrancher la fiche secteur en cas de besoin et ainsi débrancher le réfrigérateur.
- La fiche du câble de raccordement au courant alternatif ne doit pas être coupée.
- Les câbles de raccordement doivent être posés de telle sorte qu'ils ne sont pas en contact avec les parties chaudes de l'unité / du brûleur ou avec des arêtes vives.
- Des modifications de l'installation électrique interne ou le raccordement d'autres composants électriques (p. ex. ventilateur supplémentaire d'un autre fabricant) au câblage interne du réfrigérateur annulent l'homologation E1 / CE et toute réclamation issue de la garantie et de la responsabilité du fabricant !

- Raccordez les réfrigérateurs RM5310/RM5330/RM5380 selon fig. **15**, page 12 (sans éclairage), et fig. **16**, page 13 (avec éclairage) :

Réf.	Désignation
1	Élément de chauffage CC
2	Câble de raccordement au courant continu
3	Bornier pour le raccordement au courant continu de la cartouche chauffante
4	Ligne positive de la cartouche chauffante
5	Ligne de masse de l'éclairage
6	Ligne positive de l'éclairage
7	Contacteur Reed (commutation de la sonde)
8	Galvanomètre
9	Éclairage LED
10	Adaptateur courant thermique
11	Élément de chauffage CA
12	Câble de raccordement en courant alternatif
13	Masse du bâti (partie supérieure)

Courant alternatif

- Branchez le réfrigérateur avec la fiche d'alimentation sur une prise secteur.

Courant continu

Respectez les sections de câbles suivantes :

- < 6 m (à l'intérieur) : 4 mm²
 - > 6 m (à l'intérieur) : 6 mm²
 - Raccordements D+ et S+ : 1 mm²
 - Câble sur timon (caravane uniquement) : 2,5 mm²
- Protégez la ligne d'alimentation vers l'élément de chauffage (raccordements **3** et **4**) avec un fusible de 15 A et la ligne d'alimentation pour l'éclairage / l'électro-nique (bornes **5** et **6**) avec un fusible de 2 A.
- Raccordez l'élément de chauffage (raccordements **3** et **4**) avec un câble aussi court que possible.

- Faites passer la ligne d'alimentation vers l'élément de chauffage (raccordement **3** et **4**) par un relais à serrure de contact pour éviter que la batterie du véhicule soit complètement déchargée lorsque le moteur est éteint accidentellement (fig. **17**, page 14).

10 Entretien et nettoyage



AVERTISSEMENT !

Avant toute opération de nettoyage ou d'entretien du réfrigérateur, veuillez à débrancher celui-ci du secteur.



AVIS ! Risque d'endommagement !

- Ne mettez pas le joint de la porte en contact avec de l'huile ou de la graisse.
- N'utilisez ni détergents abrasifs, ni objets durs pour le nettoyage, ceux-ci pouvant endommager le réfrigérateur.

- Nettoyez le réfrigérateur à l'intérieur et à l'extérieur de temps en temps avec un chiffon humide.
- Assurez-vous que les ouvertures de ventilation du réfrigérateur ne sont pas encombrées de saletés ou de poussières, pour que la chaleur générée par le fonctionnement soit évacuée et que l'appareil ne soit pas endommagé.

11 Garantie

Le délai légal de garantie s'applique. Si le produit s'avérait défectueux, veuillez vous adresser à la filiale du fabricant située dans votre pays (voir dometic.com/dealer) ou à votre revendeur spécialisé.

Veillez y joindre les documents suivants pour la gestion des réparations et de la garantie :

- une copie de la facture avec la date d'achat,
- le motif de la réclamation ou une description du dysfonctionnement.

12 Retraitement

- Jetez les emballages dans les conteneurs de déchets recyclables prévus à cet effet.



Lorsque vous mettez votre produit définitivement hors service, informez-vous auprès du centre de recyclage le plus proche ou auprès de votre revendeur spécialisé sur les prescriptions relatives au retraitement des déchets.

13 Caractéristiques techniques

	RM5310	RM5330	RM5380
Tension de raccordement :	230 V~ 12 V---		
Capacité :	60 l	70 l	80 l
Contenu net :	55 l	65 l	75 l
Valeurs de raccordement :	125 W (230 V~) 120 W (12 V---) 18,3 g/h (gaz)		
Compartment congélateur :	5 l		
Consommation électrique :	2,5 kWh/24 h (230 V) 240 Ah/24 h (12 V)		
Consommation de gaz :	270 g/24 h		
Classe climatique :	SN		
Température ambiante :	de +10 °C à +32 °C		
Allumage :	Manuel	Manuel	Manuel
Choix de l'énergie :	Manuel	Manuel	Manuel
Dimensions :	fig. 1, page 3		
Poids :	20 kg	22 kg	24 kg
Contrôle/Certificat :			

Lees alle instructies, richtlijnen en waarschuwingen in deze gebruiksaanwijzing en volg ze zorgvuldig op om ervoor te zorgen dat u het product te allen tijde op de juiste manier installeert, gebruikt en onderhoudt. Deze instructies MOETEN bij dit product bewaard worden.

Door het product te gebruiken, bevestigt u hierbij dat u alle instructies, richtlijnen en waarschuwingen zorgvuldig hebt gelezen en dat u de voorwaarden en condities zoals die hierin zijn beschreven begrijpt en accepteert. U gaat ermee akkoord dit product alleen te gebruiken voor het beoogde doel en de beoogde toepassing en in overeenstemming met de instructies, richtlijnen en waarschuwingen zoals beschreven in deze gebruiksaanwijzing en in overeenstemming met de geldende wet- en regelgeving. Het niet lezen en opvolgen van de hierin beschreven instructies en waarschuwingen kan leiden tot letsel voor uzelf en anderen, schade aan uw product of schade aan andere eigendommen in de omgeving. Deze gebruiksaanwijzing, met inbegrip van de instructies, richtlijnen en waarschuwingen, en de bijbehorende documentatie kan onderhevig zijn aan wijzigingen en updates. Actuele productinformatie vindt u op documents.dometic.com, dometic.com.

Inhoudsopgave

1	Verklaring van de symbolen	60
2	Veiligheidsinstructies	61
3	Omvang van de levering	63
4	Toebehoren.	63
5	Reglementair gebruik	63
6	Koelkast monteren	64
7	Deurbevestiging wisselen	69
8	Deurdecor aanbrengen	69
9	Koelkast aansluiten	70
10	Garantie	73
11	Afvoer	73
12	Technische gegevens.	74

1 Verklaring van de symbolen



WAARSCHUWING!

Veiligheidsaanwijzing met betrekking tot een gevaarlijke situatie die kan leiden tot ernstig letsel of de dood, als deze niet wordt vermeden.



VOORZICHTIG!

Veiligheidsaanwijzing met betrekking tot een gevaarlijke situatie die kan leiden tot licht of gemiddeld letsel, als deze niet wordt vermeden.

**LET OP!**

Aanwijzing met betrekking tot een situatie die kan leiden tot materiële schade, als deze niet wordt vermeden.

**INSTRUCTIE**

Meer informatie over de bediening van het product.

2 Veiligheidsinstructies



WAARSCHUWING! Niet in acht nemen van deze waarschuwingen kan leiden tot ernstig letsel of de dood.

Explosiegevaar

- Open het absorptieaggregaat nooit. Het staat onder hoge druk en kan letsel veroorzaken, als het wordt geopend.
- De koelkast mag **uitsluitend** met de op het typeplaatje aangegeven druk worden gebruikt. Gebruik alleen vast ingestelde drukregelaars die voldoen aan de nationale voorschriften (in Europa EN 12864).

Brandgevaar

- Let op een schone en restloze verwerking, als siliconenafdichtmassa en dergelijke wordt gebruikt. Bij contact van siliconendraden met hete delen of open vuur bestaat brandgevaar.
- De koelkast nooit met open vuur op lekkage controleren.
- Gebruik uitsluitend propaan- of butaangas (**geen** aardgas).

Gevaar voor de gezondheid

- Als de koelkast zichtbaar is beschadigd, mag hij niet in gebruik worden genomen.
- Als de wisselstroomaansluitkabel van deze koelkasten wordt beschadigd, moet deze om gevaar uit te sluiten worden vervangen door de fabrikant, diens klantenservice of een gelijkwaardig gekwalificeerd persoon.
- Reparaties aan deze koelkast mogen uitsluitend door vakmonteurs worden uitgevoerd. Door niet-vakkundige reparaties kunnen grote gevaren ontstaan.

Verstikkingsgevaar

- Demonteer bij de afvoer van de oude koelkast alle koelkastdeuren, en laat de aflegplaten in de koelkast om onbedoeld naar binnen klimmen door kinderen en stikken te voorkomen.



VOORZICHTIG! Niet in acht nemen van deze voorzichtigheidsaanwijzingen kan leiden tot licht of gemiddeld letsel.

Elektrische schok

- Let er voor de ingebruikneming op dat toevoerleiding en stekker droog zijn.

Beknellingsgevaar

- Grijp niet in de scharnier.



LET OP! Gevaar voor beschadiging

- Houd de koelkast tijdens transport alleen aan de koelkastbehuizing vast. Houd de koelkast nooit aan absorptieaggregaat, koelribben, gasleidingen, deur of bedienpaneel vast.
- Voorkom beschadiging van het koelcircuit tijdens transport. Het koudemiddel in het koelcircuit is licht ontvlambaar. Bij een beschadiging van het koelcircuit (ammoniakgeur):
 - Schakel de koelkast eventueel uit.
 - Vermijd open vuur en ontstekingsvonken.
 - Ventileer de ruimte goed.
- Plaats het product niet in de buurt van open vuur of andere warmtebronnen (verwarming, gasovens etc.).
- **Oververhittingsgevaar!**

Let er altijd op dat de warmte die bij het gebruik ontstaat goed afgevoerd kan worden. Zorg ervoor dat de koelkast op voldoende afstand tot wanden en voorwerpen staat, zodat de lucht kan circuleren.
- Vergelijk de spanning op het typeplaatje met de aanwezige energievoorziening.
- Open in geen geval het koelcircuit.
- Sluit de koelkast uitsluitend met de bijbehorende wisselstroomaansluitkabel aan op de wisselstroomcontactdoos.
- Gebruik alleen kabels met passende kabeldiameter.
- Trek de stekker nooit aan de aansluitkabel uit het stopcontact.
- De koelkast mag niet aan regen worden blootgesteld.

3 Omvang van de levering

- Koelkast
- Afdekkappen
- Bakje voor ijsblokjes
- Gebruiksaanwijzing
- Montagehandleiding

4 Toebehoren

Als toebehoren verkrijgbaar (niet bijgeleverd):

Omschrijving	Artikelnr.
Ventilatorset	9105900007
Ventilatiooster LS100, met luchtafvoer en winterafdekking	
wit	9105900012
beige	9105900011
Ventilatiooster LS200, zonder luchtafvoer, met winterafdekking	
wit	9105900014
beige	9105900013

Neem bij vragen over toebehoren contact op met uw servicepartner.

5 Reglementair gebruik

De koelkast is ontworpen voor inbouw in caravans of campers. Ze zijn uitsluitend geschikt voor het koelen, diepvriezen en bewaren van levensmiddelen. De koelkast is niet bedoeld voor de vakkundige opslag van geneesmiddelen.

De koelkast is ontworpen voor gebruik met een gelijkstroomnet en een wisselstroom-contactdoos, en kan met vloeibaar gas (propana of butaan) worden gebruikt. De koelkast mag **niet** met aardgas of stadsgas worden gebruikt. De koelkast RM5385 heeft bijkomend altijd een gelijkstroom-continuvoeding nodig.

Dit product is alleen geschikt voor het beoogde gebruik en de toepassing in overeenstemming met deze gebruiksaanwijzing.

Deze handleiding geeft informatie die nodig is voor een goede installatie en/of bediening van het product. Een slechte installatie en/of verkeerde bediening of onderhoud leidt tot onbevredigende prestaties en mogelijke storingen.

De fabrikant aanvaardt geen aansprakelijkheid voor letsel of schade aan het product die het gevolg is van:

- Onjuiste montage of aansluiting, inclusief te hoge spanning
- Onjuist onderhoud of gebruik van andere dan door de fabrikant geleverde originele reserveonderdelen
- Wijzigingen van het product zonder uitdrukkelijke toestemming van de fabrikant
- Gebruik voor andere doeleinden dan beschreven in deze handleiding

Dometic behoudt zich het recht voor om het uiterlijk en de specificaties van het product te wijzigen.

6 Koelkast monteren

6.1 Montage voorbereiden

Neem bij de montage van de koelkast volgende aanwijzingen in acht:

- Voor een optimale circulatie van het koudemiddel mag de koelkast een hellingshoek van hooguit 3° hebben.
Plaats hiervoor het voertuig met een waterpas horizontaal.
- De koelkast moet zodanig worden ingebouwd dat hij voor onderhoud goed toegankelijk is, eenvoudig in- en uitgebouwd en zonder veel moeite uit het voertuig kan worden genomen.
- De afstand tussen de koelkast en achterwand moet min. 15 mm – max. 25 mm bedragen (afb. **3**, pagina 5).
- De koelkast moet in een nis worden ingebouwd, zodat hij bij beweging van het voertuig vast staat. Neem hiervoor de volgende afmetingen in acht (h x b x d in mm, afb. **1**, pagina 3):
 - **RM 5310**: 618 x 486 x 474
 - **RM 5330**: 821 x 486 x 474
 - **RM 5380**: 821 x 486 x 474

- In de buitenwand moeten een beluchtingsopening (afb. **2** 2, pagina 4) en een ontluchtingsopening (afb. **2** 3, pagina 4) met ventilatierooster voorhanden zijn om de warmte die ontstaat goed naar buiten te kunnen leiden:
 - Beluchtingsopening: Beluchtingsrooster moet indien mogelijk in een lijn zijn met de onderzijde van de branderafdekking (afb. **2** 1, pagina 4) met een diameter van hooguit 250 cm².
 - Beluchtingsopening: indien mogelijk boven de koelkast. Hier kan een ventilatierooster met geïntegreerde verbrandingsgasleiding worden gebruikt.
- Indien het ventilatierooster van de beluchtingsopening niet in een lijn met de ondergrond kan worden ingebouwd, moet ook een beluchtingsopening (afb. **2** 5, pagina 4) in de ondergrond voor het afvoeren van uitgetreden gas worden aangebracht.
- Voor de koelkasten RM5380 moet altijd een beluchtingsopening (afb. **2** 5, pagina 4) in de vloer worden gemaakt.
- De beluchtingsopeningen mogen tijdens gebruik niet door voertuigdelen worden afgedekt (bijvoorbeeld geopende deur of door de aanbouw van toebehoren zoals fietsdrager).
- Aan de achterzijde van de koelkast moet voldoende ruimte voorhanden zijn zodat de lucht rond het koelelement kan circuleren.
- Monteer boven de koelkast een warmtegeleideplaat (afb. **2** 4, pagina 4) zodat zich geen warmte in het voertuig verzamelt.
- Installeer de koelkast beschermd tegen overmatige warmte-instraling, omdat dit leidt tot vermogensverlies en verhoogd energieverbruik van de koelkast.
- De elektrische installatie moet volgens de nationale en regionale voorschriften worden uitgevoerd.
Europese normen: EN 60335-1, EN 60335-2-24, EN 1648-1 en EN 1648-2.
- De gasinstallatie moet volgens de nationale en regionale voorschriften worden uitgevoerd.
Europese norm: EN 1949.
- De koelkast moet conform EN 1949 tochtvrij worden ingebouwd, zie hoofdstuk „Koelkast met onafhankelijke beluchting inbouwen” op pagina 66.

6.2 Koelkast met onafhankelijke beluchting inbouwen

Koeltoestellen op gas in caravans of campers in moeten conform EN 1949 met onafhankelijke beluchting worden ingebouwd. Dit betekent dat de verbrandingslucht niet uit de binnenruimte wordt genomen en de afvoergassen niet direct in de woonruimte kunnen dringen.

Tussen de achterwand van de koelkast en de binnenruimte van het voertuig moet een geschikte afdichting worden aangebracht.



WAARSCHUWING! Brandgevaar!

Gebruik voor de tochtvrije inbouw geen licht ontvlambaar materiaal zoals silicone-afdichtmassa, montageschuim en dergelijke.

De fabrikant raadt aan om een flexibele afdichting te gebruiken om in- en uitbouwen voor onderhoud te vereenvoudigen.

- Bevestig de afdichtlippen (afb. **4** 1, pagina 5) aan een lijst achter de koelkast, bijvoorbeeld door lijmen.
- Schuif de koelkast bij montage tegen de aanslaglijsten met de afdichtlippen. Hierdoor is de ruimte achter de koelkast richting de binnenruimte van het voertuig afgedicht.

6.3 Beluchtingsopeningen maken



INSTRUCTIE

Bij hoge omgevingstemperatuur functioneert de koelkast alleen optimaal, als de be- en ontluuchting optimaal is.

- Maak een be- en ontluuchtingsopening in de buitenwand van 451 mm x 156 mm. Neem hierbij de aanwijzingen in acht, zie hoofdstuk „Montage voorbereiden” op pagina 64.

Indien het ventilatierooster van de beluchtingsopening niet in een lijn met de ondergrond van de inbouw is kan worden ingebouwd, moet een beluchtingsopening in de ondergrond worden ingebouwd:

- Maak achter de koelkast bij de gasbrander een beluchtingsopening van minstens 40 mm in de ondergrond (afb. **2** 4, pagina 4). De beluchtingsbuis moet direct naar buiten leiden. Zo kan uittredend onverbrand gas naar buiten ontwijken.

- Scherm het einde van de opening af met een bochtstuk zodat tijdens rijden geen modder of vuil kan binnendringen (afb. **5**, pagina 5).

6.4 Ventilatiooster monteren

LS100

Pos. in afb. 6 , pagina 6	Omschrijving
1	Montageframe
2	Ventilatioosters
3	Inzetstuk voor uitlaat
4	Winterafdekking

LS200

Pos. in afb. 7 , pagina 6	Omschrijving
1	Montageframe
2	Ventilatioosters
3	Winterafdekking

Ga als volgt te werk (afb. **8**, pagina 7):

- Dicht het montageframe waterdicht af (**A**).
- Plaats het montageframe en schroef het vast (**B**).
- Plaats het ventilatiooster en vergrendel het (**C**).

Alleen bij LS 100

- Plaats het inzetstuk voor de luchtafvoer (**D**).

6.5 Luchtafvoer monteren

Ga als volgt te werk (afb. **9**, pagina 7):

- ▶ Plaats het T-stuk (**1**) op de adapter (**2**) en op de afvoerbuis (**3**)
- ▶ Fixeer het T-stuk, adapter en afvoerbuis met een schroef (**4**).
- ▶ Zorg ervoor dat de warmteverdeler (**5**) in de daarvoor bedoelde positie is.
- ▶ Steek de luchtafvoerbuis met de afdekplaat (**7**) door de hiervoor bedoelde opening van het inbouwframe (**6**).
- ▶ Verbind luchtafvoerbuis en afdekplaat met het T-stuk (**1**).
- ▶ Kort de luchtafvoerbuis (**7**) eventueel tot de juiste lengte in.
- ▶ Plaats het ventilatierooster LS100 (**9**) in het inbouwframe (**6**), en vergrendel het.
- ▶ Steek de afdekkap (**8**) op de luchtafvoerbuis (**7**).
- ▶ Plaats het inzetstuk voor de luchtafvoer (**10**) in het ventilatierooster (**9**).

6.6 Koelkast bevestigen



VOORZICHTIG!

Boor altijd door de hiervoor bedoelde bussen, omdat anders ingeschuimde bouwdelen zoals leidingen en dergelijke kunnen worden beschadigd.



INSTRUCTIE

Bevestig de zijwanden of de aangebrachte lijsten zodanig dat de schroeven ook bij verhoogde belasting (tijdens rijden) vast zitten.

- ▶ Zet de koelkast in de uiteindelijke positie.
- ▶ Draai de vier schroeven door de vier kunststof bussen in de zijwanden van de koelkast (afb. **10**, pagina 8) en verder in de niswand.

7 Deurbevestiging wisselen

Draaibare deurvergrendeling

- Vervang de deurbevestiging zoals weergegeven (afb. **11**, pagina 9).

2-knopdeurvergrendeling

- Vervang de deurbevestiging zoals weergegeven (afb. **12**, pagina 10).

8 Deurdecor aanbrengen



LET OP! Gevaar voor beschadiging!

Leg de koelkast alleen op de zijkant neer, nooit op de achterzijde. Anders kan het aggregaat worden beschadigd.

Het deurdecor moet de volgende afmetingen hebben:

- **RM 5310:** 534 x 455 x max. 3 – 3,8 (h x b x d in mm)
 - **RM 5330/RM 5380:** 740 x 455 x max. 3 – 3,8 (h x b x d in mm)
- Plaats het deurdecor zoals weergegeven (afb. **13**, pagina 11).

9 Koelkast aansluiten

9.1 Op de gastoevoer aansluiten



LET OP!

- De koelkast mag alleen door een vakman volgens de geldende voorschriften en normen op de gasvoorziening worden aangesloten.
- Gebruik uitsluitend propaan- of butaangasflessen (geen aardgas of stadsgas) met gekeurd drukreducerend ventiel en passend kopstuk. Vergelijk de druk op het typeplaatje met de druk op de drukregelaar van de propaan- of butaangasfles.
- De koelkast mag **uitsluitend** met de op het typeplaatje aangegeven druk worden gebruikt.
- Neem a.u.b. de in uw land toegestane drukwaarden in acht. Gebruik een vast ingestelde DIN-DVGW-erkende drukregelaar:
 - Voor Duitsland geldt: DIN EN 12864
 - Voor Europa geldt: EN 732 en EN 1949



INSTRUCTIE

De koelkast is voor een aansluitdruk van 30 mbar uitgerust. Gebruik bij een aansluiting op een 50-mbar-inrichting de Truma voordrukregelaar VDR 50/30.

De koelkast moet door een afsluitinrichting in de gasleiding afzonderlijk kunnen worden afgesloten. De afsluitinrichting moet goed toegankelijk zijn.

- Verbind de koelkast conform afb. **14**, pagina 11 met de gastoevoer, vast en spanningsvrij.
Voor Europa geldt: Gebruik een snijringkoppeling conform EN 1949.
Een slangaansluiting is niet toegestaan.
- Laat na de vakkundige installatie een dichtheidscontrole en een vlamtest conform EN 1949 door een geautoriseerde vakman uitvoeren.
Laat een protocol van deze controle maken.

9.2 Op 12 V \equiv en 230 V \sim aansluiten



LET OP!

- De elektrische installatie alsmede reparaties mogen alleen door een vakman conform de geldende voorschriften en normen worden uitgevoerd.
- Conform EN 1648-1 mogen in de caravan de desbetreffende min- en plusleidingen van de gelijkstroomaansluitingen voor verwarmingselement en verlichting niet met elkaar worden verbonden. Anders kunnen elektrische bouwdelen elektrisch worden beïnvloed of beschadigd.
- De inbouw van een omvormer mag alleen door een vakman worden uitgevoerd.



INSTRUCTIE

- De netcontactdoos moet goed bereikbaar zijn zodat de netstekker indien nodig kan worden uitgetrokken en de koelkast daardoor van het net kan worden gescheiden.
- De stekker van de wisselstroomaansluitkabel mag niet worden afgesneden.
- De aansluitkabel moet zodanig gemonteerd zijn dat deze niet met hete delen van aggregaat/brander of met scherpe randen in contact komen.
- Wijzigingen van de interne elektrische installatie of de aansluiting van andere elektrische componenten (bijvoorbeeld externe extra ventilator) aan de interne bekabeling van de koelkast doen de E1/CE-toelating en elke aanspraak op garantie vervallen!

- Sluit de koelkasten RM5310/RM5330/RM5380 conform afb. **15**, pagina 12 (zonder verlichting), en afb. **16**, pagina 13 (met verlichting) aan:

Pos.	Omschrijving
1	Verwarmingselement gelijkstroom
2	Gelijkstroom-aansluitkabel
3	Klemmenlijst voor de gelijkstroomaansluiting van de verwarmingspatroon
4	Plusleiding van de verwarmingspatroon
5	Massaleiding van de verlichting
6	Plusleiding van de verlichting
7	Reed-contact (sensorschakelaar)
8	Galvanometer
9	Ledverlichting
10	Thermostroomadapter
11	Verwarmingselement wisselstroom
12	Wisselstroom-aansluitkabel
13	Massa van de behuizing (bovendeel)

Wisselstroom

- Sluit de koelkast met de netstekker aan op een wisselstroomcontactdoos.

Gelijkstroom

Neem volgende leidingdiameters in acht:

- < 6 m (in binnenruimte): 4 mm²
 - > 6 m (in binnenruimte): 6 mm²
 - Verbindingen D+ en S+: 1 mm²
 - Via dissels geleide kabels (alleen caravan): 2,5 mm²
- Beveilig de toevoerleiding naar het verwarmingselement (aansluitingen **3** en **4**) met een 15-A-zekering en de toevoerleiding voor de verlichting/elektronisch systeem (aansluitingen **5** en **6**) met een 2-A-zekering.
- Sluit het verwarmingselement (aansluitingen **3** en **4**) met een zo kort mogelijke kabel aan.

- ▶ Leid de toevoerleiding naar het verwarmingselement (aansluitingen **3** en **4**) via een met contactslot gestuurd relais om te voorkomen dat de accu bij onbedoeld Reiniging en onderhoud

**WAARSCHUWING!**

Scheid de koelkast voor reiniging en onderhoud van het net.

**LET OP! Gevaar voor beschadiging!**

- Voorkom contact van de deurafdichting met olie of vet.
- Gebruik voor het reinigen geen bijtende schoonmaakmiddelen of harde voorwerpen, de koelkast zou hierdoor beschadigd kunnen raken.

- ▶ Reinig de koelkast van binnen en buiten met een vochtige doek.
- ▶ Zorg ervoor dat de ventilatieopeningen van de koelkast vrij zijn van stof en verontreinigingen, zodat de bij gebruik ontstane warmte kan worden afgevoerd en de koelkast niet beschadigd raakt.

10 Garantie

De wettelijke garantieperiode is van toepassing. Als het product defect is, wendt u zich tot het filiaal van de fabrikant in uw land (zie dometic.com/dealer) of tot uw speciaalzaak.

Voor de afhandeling van de reparatie of garantie dient u de volgende documenten mee te sturen:

- een kopie van de factuur met datum van aankoop,
- reden van de klacht of een beschrijving van de storing.


11 Afvoer

- ▶ Laat het verpakkingsmateriaal indien mogelijk recyclen.



Als u het product definitief buiten bedrijf stelt, informeer dan bij het dichtstbijzijnde recyclingcentrum of uw speciaalzaak naar de betreffende afvoervoorschriften.

12 Technische gegevens

	RM5310	RM5330	RM5380
Aansluitspanning:	230 V~ 12 V===		
Brutoinhoud:	60 l	70 l	80 l
Nettoinhoud:	55 l	65 l	75 l
Aansluitwaarden:	125 W (230 V~) 120 W (12 V===) 18,3 g/h (gas)		
Vriesvak:	5 l		
Energieverbruik:	2,5 kWh/24 h (230 V) 240 Ah/24 h (12 V)		
Gasverbruik:	270 g/24 h		
Klimaatklasse:	SN		
Omgevingstemperatuur:	+10 °C tot +32 °C		
Contact:	Handmatig	Handmatig	Handmatig
Energiekeuze:	Handmatig	Handmatig	Handmatig
Afmetingen:	afb. 1 , pagina 3		
Gewicht:	20 kg	22 kg	24 kg
Keurmerk/certificaat:			

Mobile living made easy.



dometic.com

**YOUR LOCAL
DEALER**

dometic.com/dealer

**YOUR LOCAL
SUPPORT**

dometic.com/contact

**YOUR LOCAL
SALES OFFICE**

dometic.com/sales-offices

A complete list of Dometic companies, which comprise the Dometic Group, can be found in the public filings of:
DOMETIC GROUP AB Hemvärnsgatan 15 SE-17154 Solna Sweden