

# ↗ DOMETIC

# REFRIGERATION

# 8 SERIES



RM 8xxx, RMS 8xxx, RML 8xxx,  
RMSL 8xxx

EN

**Absorber refrigerator**  
Installation Manual

DE

**Absorber-Kühlschrank**  
Montageanleitung

FR

**Réfrigérateur à absorption**  
Instructions de montage

IT

**Frigorifero ad assorbimento**  
Indicazioni di montaggio



## Installation instructions

### Absorption refrigerator for recreation vehicles

RM 8400 RM 8401 RM 8405 RM 8500 RM 8501 RM 8505 RM 8550 RM 8551 RM 8555  
RMS 8400 RMS 8401 RMS 8405 RMS 8460 RMS 8461 RMS 8465 RMS 8500 RMS 8501  
RMS 8505 RMS 8550 RMS 8551 RMS 8555 RML 8550 RML 8551 RML 8555 RMSL 8500  
RMSL 8501 RMSL 8505



N 1-1

MBA 05/2012

**EN**

---

## Table of contents

|       |  |    |
|-------|--|----|
| 0.0   | Unpacking and Transport                            | 3  |
| 1.0   | General  | 4  |
| 1.1   | Introduction                                       | 4  |
| 1.2   | Guide to these operating instructions              | 4  |
| 1.3   | Copyright protection                               | 4  |
| 1.4   | Explanation of symbols used in this manual         | 4  |
| 1.5   | Warranty   | 5  |
| 1.6   | Limitation of liability                            | 5  |
| 1.7   | Declaration of conformity                          | 5  |
| 2.0   | Safety instructions                                | 6  |
| 2.1   | Application according to regulations               | 6  |
| 2.2   | User's responsibility                              | 6  |
| 2.3   | Working upon and checking the refrigerator         | 6  |
| 2.4   | Operating the refrigerator with gas                | 6  |
| 3.0   | Description of model                               | 7  |
| 3.1   | Model identification                               | 7  |
| 3.2   | Refrigerator rating plate                          | 7  |
| 3.3   | Technical data                                     | 7  |
| 4.0   | Installation instructions                          | 10 |
| 4.1   | Installation                                       | 10 |
| 4.1.1 | Side installation                                  | 10 |
| 4.1.2 | Side installation with floor-roof ventilation      | 11 |
| 4.1.3 | Rear installation                                  | 11 |
| 4.1.4 | Draught-proof installation                         | 12 |
| 4.2   | Ventilation and air extraction of the refrigerator | 13 |
| 4.3   | Installing the ventilation system                  | 14 |
| 4.4   | Exhaust gas duct and installing the fume flue      | 15 |
| 4.5   | Installation recess                                | 16 |
| 4.5.1 | Installation in the recess                         | 16 |
| 4.6   | Securing the refrigerator                          | 17 |
| 4.7   | Inserting of the decor panel                       | 17 |
| 4.8   | Gas installation                                   | 19 |
| 4.9   | Electrical installation                            | 21 |
| 4.9.1 | Mains connection                                   | 21 |
| 4.9.2 | Battery connection                                 | 21 |
| 4.9.3 | Cable connections                                  | 22 |
| 4.9.4 | D+ and solar connection (only for AES models)      | 24 |
| 4.9.5 | Wiring diagrams                                    | 25 |

Dometic GmbH  
In der Steinwiese 16  
D-57074 Siegen  
[www.dometic.com](http://www.dometic.com)

© Dometic GmbH - 2011 - Subject to change without notice





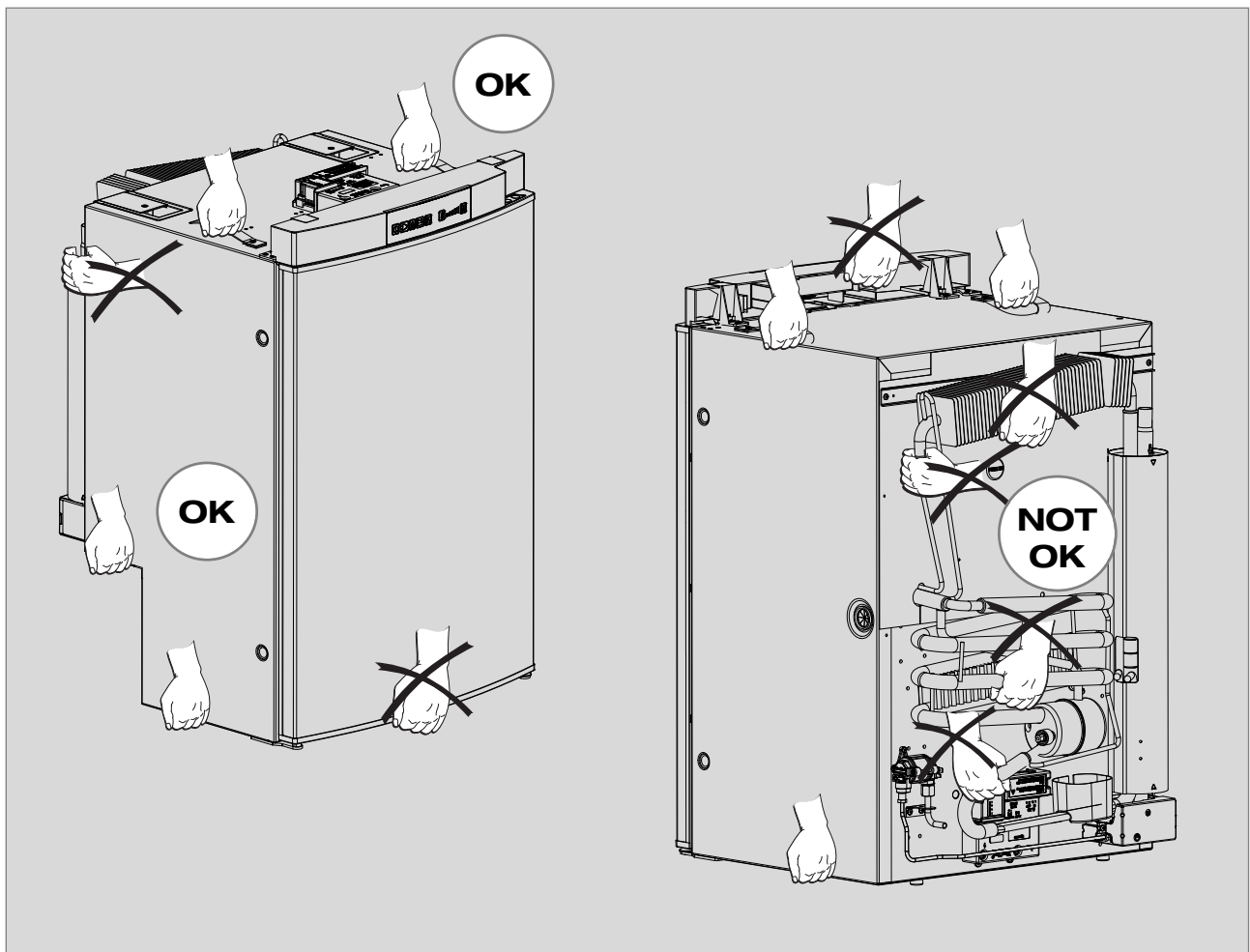
## 0.0 Unpacking and Transport

### Lifting / carrying the refrigerator

#### **CAUTION!**

Never use parts on the refrigerator other than those shown in the illustration (particularly not the cooling unit, gas lines and control panel) for carrying or lifting the refrigerator !

This prevents damage to the refrigerator.



## 1.0 General

### 1.1 Introduction

On installation of the appliance, the technical and administrative regulations of the country in which the vehicle will first be used must be adhered to. Otherwise the refrigerator must be installed as described in these instructions. In Europe, for example, gas appliances, cable routing, installation of gas cylinders, as well as approval and checking for leaks must comply with **EN 1949** for liquid gas systems in vehicles.

### 1.2 Guide to these installation instructions

**Before you start installing the refrigerator, please read the installation instructions carefully.**

These instructions provide you with the necessary guidance for the proper installation of your refrigerator. **Observe in particular the safety instructions.** Observation of the instructions and handling recommendations is important for dealing with the refrigerator safely and for protecting you from injury and the refrigerator from damage. You must understand what you have read before you carry out a task.

**Keep these instructions in a safe place close to the refrigerator so they may be referred to at any time.**

### 1.3 Copyright protection

The information, texts and illustrations in these instructions are copyright protected and are subject to industrial property rights. No part of these instructions may be reproduced, copied or utilised in any other way without written authorisation by Dometic GmbH, Siegen.

### 1.4 Explanation of symbols used in this manual

#### Warning notices

Warning notices are identified by symbols. A supplementary text gives you an explanation of the degree of danger.

**Observe these warning notices rigorously. You will thus protect yourself and other people from injury, and the appliance from damage.**



**DANGER!**

**DANGER** indicates an imminent hazardous situation which, if not avoided, could result in death or serious injury.



**WARNING!**

**WARNING** indicates a potentially hazardous situation which, if not avoided, could result in death or serious injury



**CAUTION!**

**WARNING** indicates a potentially hazardous situation which, if not avoided, could result in death or serious injury

**CAUTION!**

**CAUTION** (used without the safety alert symbol) indicates a potentially hazardous situation which, if not avoided, may result in damage to the appliance.

## Information



**INFORMATION** gives you supplementary and useful guidance when dealing with your refrigerator.

## Environmental Tips



**ENVIRONMENTAL TIPS** gives you useful guidance for saving energy and disposal of the appliance.

## 1.5 Warranty

Warranty arrangements are in accordance with EC Directive 44/1999/CE and the normal conditions applicable for the country concerned. For warranty or other maintenance, please contact our customer services department. Any damage due to improper use is not covered by the warranty. The warranty does not cover any modifications to the appliance or the use of **non-original Dometic parts**. The warranty does not apply if the installation and operating instructions are not adhered to and no liability shall be entertained.



## 1.6 Limitation of liability

All information and guidance in these operating instructions were prepared after taking into consideration the applicable standards and regulations as well as the current state of the art. **Dometic** reserves the right to make changes at any time which are deemed to be in the interest of improving the product and safety.

**Dometic** will assume no liability for damage in the case of :

- non-observation of the operating instructions
- application not in accordance with the regulations or provisions
- use of non-original spare parts
- modifications and interferences to the appliance
- effect of environmental influences, such as
  - temperature fluctuations
  - humidity

## 1.7 Declaration of conformity

| <br><small>Mobile living made easy.</small>   |  |                 |
|--|--|-----------------|
| <b>DECLARATION OF CONFORMITY</b>   |  |                 |
| according to   |  |                 |
| LVD 2014/35/EU<br>EMC Directive 2004/108/EC, 2014/30/EU<br>Gas Appliance Directive 2009/142/EC   |  |                 |
| ECE R10, Rev. 4  |  |                 |
| Type of equipment  | Absorption Refrigerator  |                 |
| Brand Name   | DOMETIC  |                 |
| Type family  | C 40/110   |                 |
| Manufacturer's (Factory) name  | DOMETIC GmbH   |                 |
| address  | In der Steinwiese 16, D-57074 Siegen   |                 |
| telephone no   | INT+49 - 271 692 0   |                 |
| telefax no   | INT+49 - 271 692 304   |                 |
| <p>The following harmonized standards or technical specifications (designations) which comply with good engineering practice in safety matters in force within the EEA have been practiced:</p> <p>EN 60335-1;12 (IEC 60335-1; 5 ed., Am. 1, Am. 2),<br/>           EN 60335-2-24;10 (IEC 60335-2-24; 7 ed., Am. 1),<br/>           EN 61000-3-2;06, A1, A2                      EN 61000-3-3;08<br/>           EN 55014-1;06, A1, A2                      EN 55014-2;97, A1, A2<br/>           EN 732;98                      EN 60335-2-102;06<br/>           EN 30-1-1;10 A1 (Tectower-Models)<br/>           EN 30-2-1; 98 A1, A2 (Tectower-Models)<br/>           EN 50581;2010</p> |  |                 |
| <p>The equipment conforms completely with the above stated harmonized standards or technical specifications.</p>   |  |                 |
| <p>By signing this document, the undersigned declares as manufacturer, or the manufacturer's authorized representative established within the EEA, that the equipment in question complies with the requirements stated above.</p>   |  |                 |
| Date   | Signature  | Position        |
| 2017.01.09   | <br>Bernd Löher | General Manager |

## 2.0 Safety instructions

### 2.1 Application according to regulations

This refrigerator is designed for installation in recreation vehicles such as caravans or motorhomes. The appliance has been type-approval tested for this application in accordance with the EC Gas Directive.

The refrigerator is to be used solely for storing foodstuffs.

#### **CAUTION!**

The refrigerator must not be exposed to rain.

### 2.2 User's responsibility

Anyone operating the refrigerator must be familiar with the safe handling and understand the advice in these operating instructions.

### 2.3 Working upon and checking the refrigerator



#### **WARNING!**

Work on gas equipment, exhaust system and electrical facilities must be carried out by authorised personnel only. Substantial damage to property and/or injury to persons can arise through unprofessional procedures.



#### **DANGER!**



Never use an unshielded flame to check gas bearing parts and pipes for leakage!

There is a danger of fire or explosion.



#### **WARNING!**

Never open the absorber cooling unit! It is under high pressure.

There is a danger of injury!

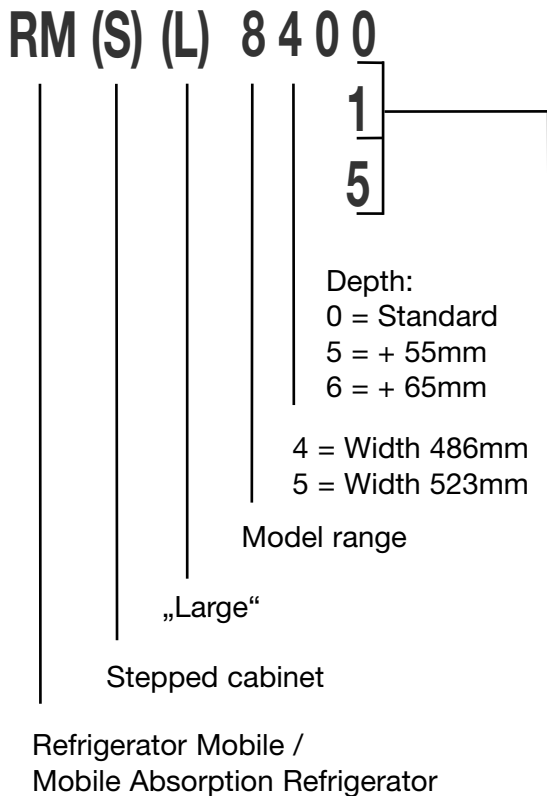
### 2.4 Operating the refrigerator with gas

It is imperative that the operating pressure corresponds to the data specified on the rating plate of the appliance. Compare the operating pressure of the rating plate with the data specified on the pressure reducing valve of the liquid gas cylinder.

## 3.0 Description of model

### 3.1 Model identification

Example :



**0**  
manual energy selection + manual ignition  
(**battery igniter**)

**1**  
manual energy selection, automatic ignition  
(**MES**)

**5**  
automatic and manual energy selection,  
automatic ignition (**AES**)

### 3.2 Refrigerator rating plate

The rating plate is to be found on the inside of the refrigerator. It contains all important details of the refrigerator. You can read off from this the model identification, the product number and the serial number. You will need these details whenever you contact the customer service centre or when ordering spare parts.

| DOMETIC                                   |                                |  |                                  |
|---|--------------------------------|--|----------------------------------|
| MOD. NO. RM 8501 <b>1</b>                 | PROD. NO. 00921087908 <b>2</b> | LC 00  | SER. NO. 12600008 <b>3</b>       |
| TYPE C 40/110                             | CLIMATE CLASS SN               | SKU 9105703948                                     |                                  |
| BRUTTOINHALT<br>TOTAL CAP.<br>VOLUME BRUT | 100 l<br>106 l                 | VERDAMPFERFACH<br>FREEZER COMP.<br>VOLUME COMPT BT | g l<br>0 l                       |
| NUTZINHALT<br>USEFUL CAP.<br>VOLUME NET   | 96 l<br>102 l                  |  |                                  |
| ~ 230-240V / 125 W<br>= 12                | 120 W                          | LPG  | Qn: 0,252 kW (MS)<br>m: 18,3 g/h |
| <b>4</b>                                  | <b>5</b>                       | 13 + 28-30/37<br>13B/P 28-30<br>13P 37<br>mbar     |                                  |
| CE 0063 BL3214                            |                                | G30, G31   | p = 30/37 mbar                   |
| ABSORBER                                  | NH <sub>3</sub> = 115 g        | Na <sub>2</sub> CrO <sub>4</sub> = 7,0 g           | p max = 35 bar                   |
| 11 CE 0085                                | 031654                         | AP   | Z 660                            |
| MADE IN GERMANY                           |                                | 00085136887  |                                  |

Example

Fig. 1

- 1** Model number
- 2** Product number
- 3** Serial number
- 4** Electrical rating details
- 5** Gas pressure



Dometic refrigerators are equipped for a connection pressure of **30 mbar**. For connection to a 50 mbar gas system, use **Truma VDR 50/30 medium pressure controller**.

### 3.3 Technical data



Fig. 2

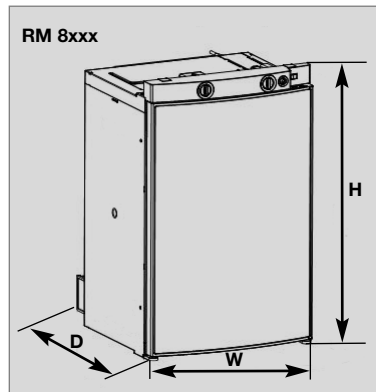


Fig. 3



Fig. 4

#### Curved door models

| Model     | Dimensions<br>H x W x D (mm)<br>Depth incl. door | Gross capacity              |          | Rating details<br>mains/battery | Consumption *<br>electricity/gas<br>over 24hrs | Net<br>weight | Ignition |         |
|-----------|--|-----------------------------|----------|---------------------------------|--|---------------|----------|---------|
|           |  | with<br>freezer compartment | without  |                                 |  |               | Piezo    | Automat |
| RMS 8400  | 821x486x568                                      | 80 / 8 lit.                 | 85 lit.  | 125 W / 120 W                   | ca.2,5 kWh / 270 g                             | 25 kg         | •        |         |
| RMS 8401  | 821x486x568                                      | 80 / 8 lit.                 | 85 lit.  | 125 W / 120 W                   | ca.2,5 kWh / 270 g                             | 25 kg         |          | •       |
| RMS 8405  | 821x486x568                                      | 80 / 8 lit.                 | 85 lit.  | 125 W / 120 W                   | ca.2,5 kWh / 270 g                             | 25 kg         |          | •       |
| RM 8400   | 821x486x568                                      | 90 / 8 lit.                 | 95 lit.  | 135 W / 130 W                   | ca.2,4 kWh / 270 g                             | 27 kg         | •        |         |
| RM 8401   | 821x486x568                                      | 90 / 8 lit.                 | 95 lit.  | 135 W / 130 W                   | ca.2,4 kWh / 270 g                             | 27 kg         |          | •       |
| RM 8405   | 821x486x568                                      | 90 / 8 lit.                 | 95 lit.  | 135 W / 130 W                   | ca.2,4 kWh / 270 g                             | 27 kg         |          | •       |
| RMS 8460  | 821x486x633                                      | 90 / 11 lit.                | 96 lit.  | 125 W / 120 W                   | ca.2,5 kWh / 270 g                             | 26 kg         | •        |         |
| RMS 8461  | 821x486x633                                      | 90 / 11 lit.                | 96 lit.  | 125 W / 120 W                   | ca.2,5 kWh / 270 g                             | 26 kg         |          | •       |
| RMS 8465  | 821x486x633                                      | 90 / 11 lit.                | 96 lit.  | 125 W / 120 W                   | ca.2,5 kWh / 270 g                             | 26 kg         |          | •       |
| RMS 8500  | 821x523x568                                      | 90 / 9 lit.                 | 96 lit.  | 125 W / 120 W                   | ca.2,5 kWh / 270 g                             | 26 kg         | •        |         |
| RMS 8501  | 821x523x568                                      | 90 / 9 lit.                 | 96 lit.  | 125 W / 120 W                   | ca.2,5 kWh / 270 g                             | 26 kg         |          | •       |
| RMS 8505  | 821x523x568                                      | 90 / 9 lit.                 | 96 lit.  | 125 W / 120 W                   | ca.2,5 kWh / 270 g                             | 26 kg         |          | •       |
| RMS 8550  | 821x523x623                                      | 103 / 12 lit.               | 110 lit. | 125 W / 120 W                   | ca.2,6 kWh / 270 g                             | 27 kg         | •        |         |
| RMS 8551  | 821x523x623                                      | 103 / 12 lit.               | 110 lit. | 125 W / 120 W                   | ca.2,6 kWh / 270 g                             | 27 kg         |          | •       |
| RMS 8555  | 821x523x623                                      | 103 / 12 lit.               | 110 lit. | 125 W / 120 W                   | ca.2,6 kWh / 270 g                             | 27 kg         |          | •       |
| RM 8500   | 821x523x568                                      | 100 / 9 lit.                | 106 lit. | 135 W / 130 W                   | ca.2,4 kWh / 270 g                             | 28 kg         | •        |         |
| RM 8501   | 821x523x568                                      | 100 / 9 lit.                | 106 lit. | 135 W / 130 W                   | ca.2,4 kWh / 270 g                             | 28 kg         |          | •       |
| RM 8505   | 821x523x568                                      | 100 / 9 lit.                | 106 lit. | 135 W / 130 W                   | ca.2,4 kWh / 270 g                             | 28 kg         |          | •       |
| RM 8550   | 821x523x623                                      | 115 / 12 lit.               | 122 lit. | 135 W / 130 W                   | ca.2,6 kWh / 270 g                             | 30 kg         | •        |         |
| RM 8551   | 821x523x623                                      | 115 / 12 lit.               | 122 lit. | 135 W / 130 W                   | ca.2,6 kWh / 270 g                             | 30 kg         |          | •       |
| RM 8555   | 821x523x623                                      | 115 / 12 lit.               | 122 lit. | 135 W / 130 W                   | ca.2,6 kWh / 270 g                             | 30 kg         |          | •       |
| RML 8550  | 1245x523x625                                     | 179 / 33 lit.               | 189 lit. | 190 W / 170 W                   | ca.3,2 kWh / 380 g                             | 45 kg         | •        |         |
| RML 8551  | 1245x523x625                                     | 179 / 33 lit.               | 189 lit. | 190 W / 170 W                   | ca.3,2 kWh / 380 g                             | 45 kg         |          | •       |
| RML 8555  | 1245x523x625                                     | 179 / 33 lit.               | 189 lit. | 190 W / 170 W                   | ca.3,2 kWh / 380 g                             | 45 kg         |          | •       |
| RMSL 8500 | 1245x523x568                                     | 145 / 28 lit.               | 155 lit. | 190 W / 170 W                   | ca.3,2 kWh / 380 g                             | 40 kg         | •        |         |
| RMSL 8501 | 1245x523x568                                     | 145 / 28 lit.               | 155 lit. | 190 W / 170 W                   | ca.3,2 kWh / 380 g                             | 40 kg         |          | •       |
| RMSL 8505 | 1245x523x568                                     | 145 / 28 lit.               | 155 lit. | 190 W / 170 W                   | ca.3,2 kWh / 380 g                             | 40 kg         |          | •       |

## Flat door models

| Model    | Dimensions<br>H x W x D (mm)<br>Depth incl. door | Gross capacity<br>with<br>freezer compartment | without  | Rating details<br>mains/battery | Consumption *<br>electricity/gas<br>over 24hrs | Net<br>weight | Ignition<br>Piezo | Automat |
|----------|--|---|----------|---------------------------------|--|---------------|-------------------|---------|
| RMS 8500 | 821x523x541                                      | 86 / 9 lit.                                   | 92 lit.  | 125 W / 120 W                   | ca.2,5 KWh / 270 g                             | 26 kg         | •                 |         |
| RMS 8501 | 821x523x541                                      | 86 / 9 lit.                                   | 92 lit.  | 125 W / 120 W                   | ca.2,5 KWh / 270 g                             | 26 kg         |                   | •       |
| RMS 8505 | 821x523x541                                      | 86 / 9 lit.                                   | 92 lit.  | 125 W / 120 W                   | ca.2,5 KWh / 270 g                             | 26 kg         |                   | •       |
| RMS 8550 | 821x523x596                                      | 99 /12 lit.                                   | 106 lit. | 125 W / 120 W                   | ca.2,6 KWh / 270 g                             | 27 kg         | •                 |         |
| RMS 8551 | 821x523x596                                      | 99 /12 lit.                                   | 106 lit. | 125 W / 120 W                   | ca.2,6 KWh / 270 g                             | 27 kg         |                   | •       |
| RMS 8555 | 821x523x569                                      | 99 /12 lit.                                   | 106 lit. | 125 W / 120 W                   | ca.2,6 KWh / 270 g                             | 27 kg         |                   | •       |
| RM 8500  | 821x523x541                                      | 96 / 9 lit.                                   | 102 lit. | 135 W / 130 W                   | ca.2,4 KWh / 270 g                             | 28 kg         | •                 |         |
| RM 8501  | 821x523x541                                      | 96 / 9 lit.                                   | 102 lit. | 135 W / 130 W                   | ca.2,4 KWh / 270 g                             | 28 kg         |                   | •       |
| RM 8505  | 821x523x541                                      | 96 / 9 lit.                                   | 102 lit. | 135 W / 130 W                   | ca.2,4 KWh / 270 g                             | 28 kg         |                   | •       |
| RM 8550  | 821x523x596                                      | 111 /12 lit.                                  | 118 lit. | 135 W / 130 W                   | ca.2,6 KWh / 270 g                             | 30 kg         | •                 |         |
| RM 8551  | 821x523x596                                      | 111 /12 lit.                                  | 118 lit. | 135 W / 130 W                   | ca.2,6 KWh / 270 g                             | 30 kg         |                   | •       |
| RM 8555  | 821x523x596                                      | 111 /12 lit.                                  | 118 lit. | 135 W / 130 W                   | ca.2,6 KWh / 270 g                             | 30 kg         |                   | •       |

Subject to technical changes.

\*Average consumption measured at an average ambient temperature of 25°C in pursuance of ISO Standard.

## 4.0 Installation instructions

### 4.1 Installation



**WARNING!**

The appliance may be installed by authorised personnel only!

The unit and the exhaust duct system must be in principle installed so that it is accessible for maintenance work, can be easily installed and dismantled and removed from the vehicle without great effort.

Installation and connection of the appliance must comply with the latest technical regulations, as follows:

- The electrical installation must comply with national and local regulations.
- The gas installation must comply with national and local regulations.
- European Standard EN 1949
- European Standards EN 60335-1, EN 60335-2-24, EN 1648-1, EN 1648-2
- The appliance must be installed in such a way that it is shielded from excessive heat radiation.

Excessive heat impairs performance and raises the energy consumption of the refrigerator!



Deviations from these installation instructions without prior notification of Dometic result in Dometic GmbH's warranty obligations becoming void!

#### 4.1.1 Side installation

If the appliance is installed on the same side of the vehicle as the entrance door, it is desirable that the door does not cover the refrigerator's vents. (Fig. 5, Clearance door/ventilation grille at least 25 mm). Otherwise ventilation could be impaired which causes a loss in cooling performance. Awnings are often placed at the door side of a caravan. This complicates evacuation of combustion gases and heat through the ventilation grilles (loss in cooling performance)!

(Fig.5) The air vent grilles are blocked. There must be a distance between the door and the air vents of at least 25 mm!

If the door/grille distance is between 25 mm and 45 mm, we recommend installing a **Dometic ventilation kit (item no. 241 2985 - 00/0)** to achieve an optimal cooling performance in high ambient temperatures.

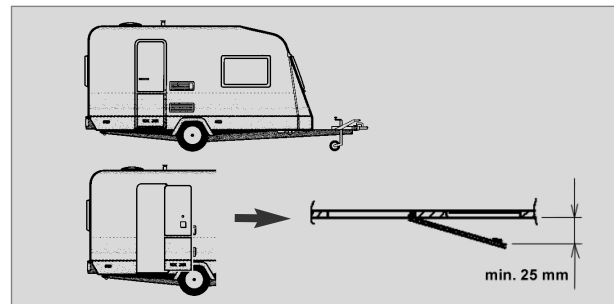


Fig. 5

(Fig. 6) The air vent grilles offer an unobstructed dissipation of heat and exhaust gas even when the door is opened.

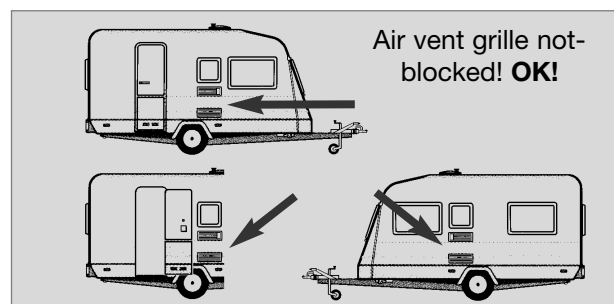


Fig. 6



### 4.1.2 Side installation with floor-roof ventilation

Proper ventilation of the refrigerator can also be achieved by lower air intake aperture in the floor and upper roof exhaust vent (see Fig. 7). A flue has to be provided between the top edge of the refrigerator and the roof ventilation which directs the hot air and the exhausts straight to the air vent in the roof.

The floor opening must have a cross section of at least **250 cm<sup>2</sup>**. Protect the opening, e.g. with a baffle plate and a net, to prevent dirt from entering the gas burner. Compared to side ventilation, this ventilation method can allow more dirt to enter the rear area of the refrigerator, which makes regular maintenance of the gas burner, at least once a year, necessary.

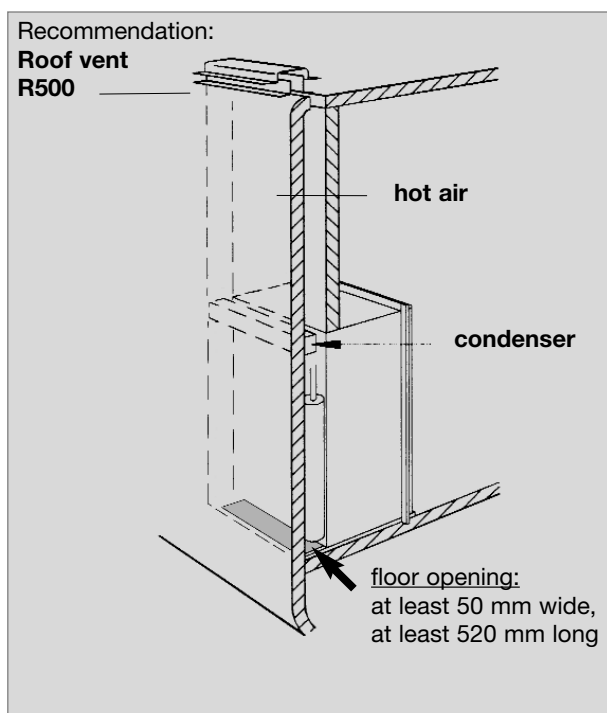


Fig. 7



**With this installation method, regular maintenance of the gas burner is only possible once the device has been dismantled. It is imperative that the refrigerator be installed in a way to allow easy removal.**

**We therefore recommend providing an adequate access opening (service flap) for ready serviceability from the outside.**

### 4.1.3 Rear installation

Rear installation often causes an unfavourable installation arrangement, as ideal ventilation cannot always be assured (e.g. the lower ventilation grille is covered by the bumper or the rear lights of the vehicle!) (Fig. 8). The maximum cooling performance of the aggregate is actually not available.



Fig. 8



Fig. 9

Another unfavourable method of rear installation is to install the air intake and exhaust grilles (Fig. 10) at the side wall of the recreation vehicle. The air-heat recirculation is very restricted which means that heat exchangers (condenser, absorber) cannot be adequately cooled. The optional method of an additional air vent grille installed in the floor also exhibits an insufficient air flow duct.

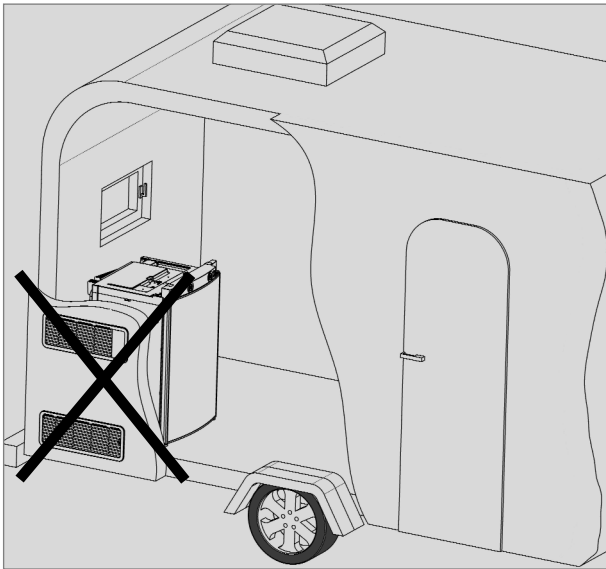


Fig. 10

**CAUTION!**

The maximum cooling performance is not available! Do not apply this installation method, as it does not provide proper ventilation! Please refer to the description in section 4.2 .

**4.1.4 Draught-proof installation**

Refrigerators in motorhomes, caravans or other vehicles must be installed in a draught-proof manner (EN 1949). This means that the combustion air for the burner is not taken from the living space and that exhaust fumes are prevented from entering the living space.

Adequate sealing between the back of the refrigerator and the vehicle interior has to be provided.

**Dometic** strongly recommends carrying this out using a flexible seal (in order to simplify later removal and installation of the unit for maintenance purposes).



**WARNING!**

By no means use durable sealing compounds, fitting foam or similar material to realise draught-proof installation of the refrigerator! Do NOT use any easily inflammable materials for sealing (in particular silicon sealing compound or similar). Risk of fire! The device manufacturer's product liability and warranty shall lapse if such materials are used.

**Proposal 1**

The lip seals (1) are installed at the bottom and on each side in the installation recess (Fig. 11-13). A heat deflector plate (2) is installed in the installation recess above the refrigerator. **Affix the this plate to the caravan wall, do NOT attach to the refrigerator !**

Attach the deflector plate so that the heated air escapes through the top ventilation grill into the open air and no heat build-up can be produced.

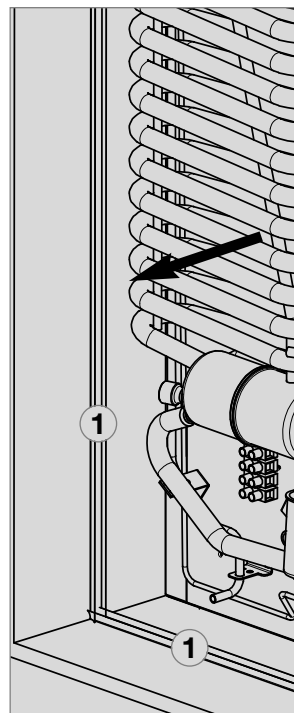


Fig. 11

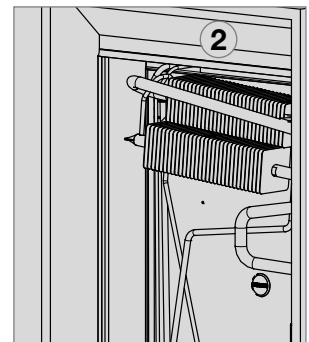


Fig. 12

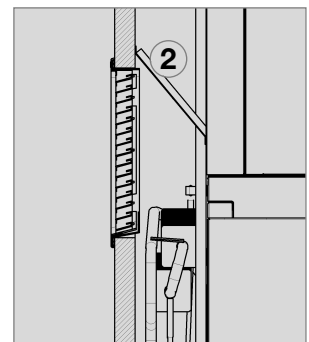


Fig. 13

The refrigerator is later pushed into the installation recess from the front. Ensure that the seals abut the case evenly.

This installation option facilitates the removal and installation of the appliance for servicing.

**Proposal 2**

Fasten the sealing lips to a stop bar on the rear side (1), e.g. by gluing.

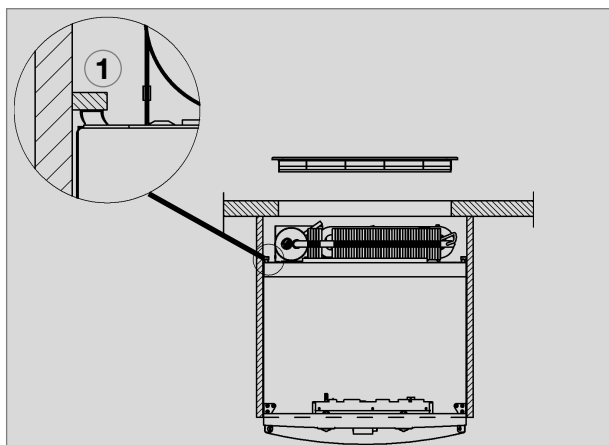


Fig. 14

The cavity in-between the outer vehicle wall and refrigerator is completely isolated from the vehicle interior. Intrusion of exhaust fumes into the living space is prevented. Fumes will escape through the upper ventilation grille to the outside.

The draught-proof installation does not require a special exhaust gas duct to be used. This installation method allows the use of the same air vent grille **LS200** at the top and at the bottom without flue duct.

If a flue duct is nevertheless desirable, incorporate the **LS100** ventilation system with flue duct into the upper air vent opening. (For installation, please refer to "4.4")



**Deviations require the consent of the manufacturer!**

**4.2 Ventilation and air extraction of the refrigerator**

A correct installation of the refrigerator is essential for its correct operation, as due to physical reasons heat builds up at the back of the appliance which must be allowed to escape into the open air.



**In the event of high ambient temperatures, full performance of the cooling unit can only be achieved by means of adequate ventilation and extraction.**

Ventilation is provided for the unit by means of two apertures in the caravan wall. Fresh air enters at the bottom, extracts the heat and exits through the upper vent grille (chimney effect).

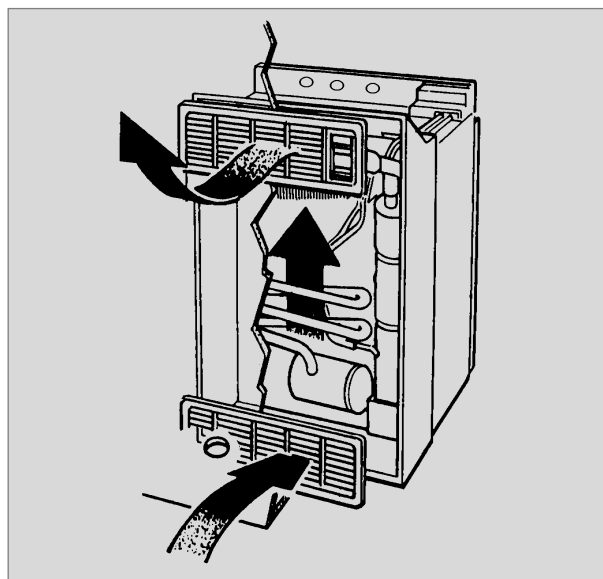


Fig. 15

**The upper ventilation grille should be positioned as high as possible above the condenser (1, , Fig.16). Install the lower ventilation grille at floor level of the recess (Fig. 16,17), allowing unburnt gas (heavier than air) to escape directly into the open air.**



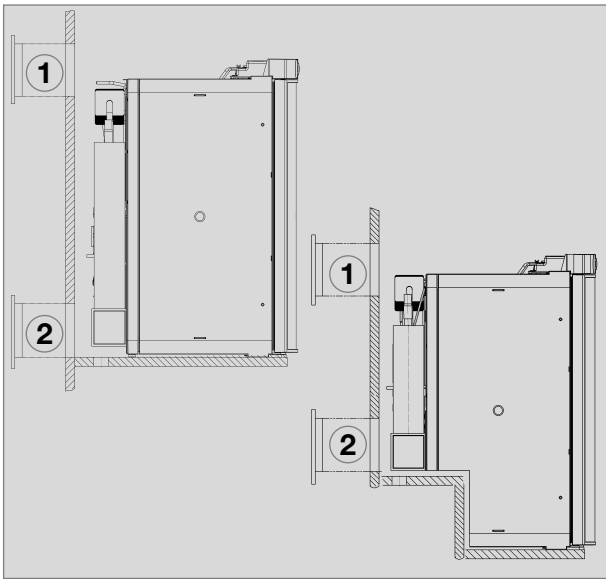


Fig. 16

- ① Ventilation grille LS 100 or LS 200
- ② Ventilation grille LS 200

The gas burner must be located above the edge (1, Fig. 17).

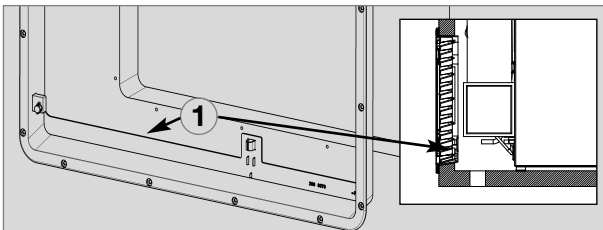


Fig. 17

Should this arrangement prove impossible, a ventilation aperture must be introduced by the manufacturer of the vehicle into the recess floor in order to avoid the accumulation of unburnt gas on the floor.

The ventilation grilles must have an open cross-section of at least 250cm<sup>2</sup>. This is achieved by using the Dometic LS100/LS 200 absorber ventilation and air extraction system which has been tested and approved for this purpose.

### 4.3 Installing the ventilation system

The **LS 100** upper vent system kit consists of the mounting frame (**RS 1640**), the air grille including flue gas duct (**AS 1620**) and the winter cover (**WA120**). The **LS 200** lower vent system kit consists of the mounting frame (**RS 1650**), the air grille (**AS1 630**, but without flue gas duct) and the winter cover (**WA130**).

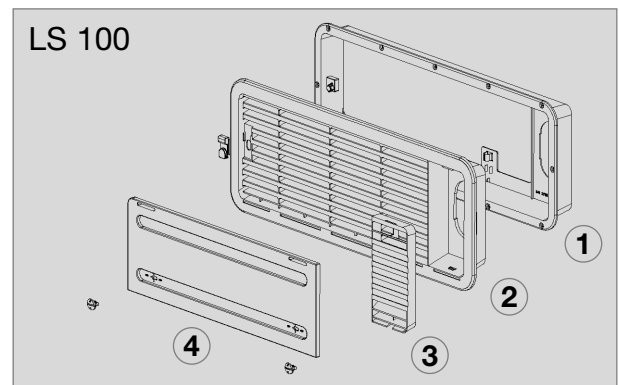


Fig. 18

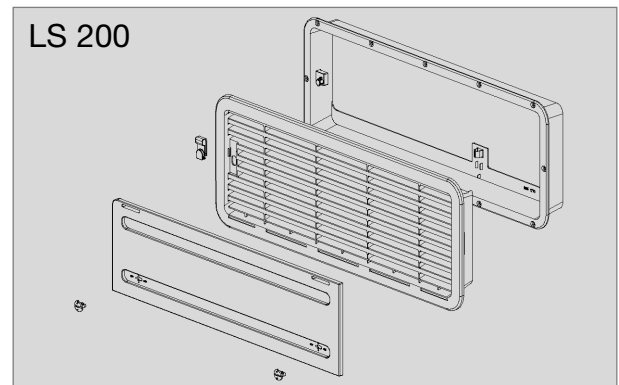


Fig. 19



Correct mounting of the lower ventilation grille facilitates access to the connections and functional parts during maintenance.

#### CAUTION!

An installation other than described will reduce the cooling capacity and jeopardise the manufacturer's warranty/product liability.

To install the ventilation grilles, cut two rectangles (451 mm x 156 mm) in the outer wall of the vehicle (for position of the cuts, see point 4.2).

**1**

Seal the mounting frame making it waterproof (does not apply for mounting frames with integral seal).

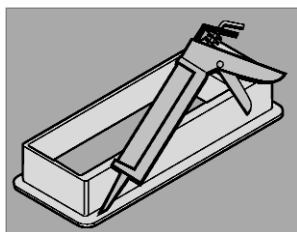


Fig. 20

**2**

Insert frame and screw into position

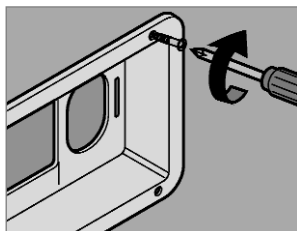


Fig. 21

**3**

Insert and lock ventilation grille.

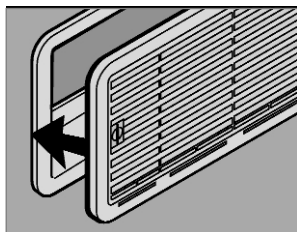


Fig. 22

**4**

Clip the insert for flue gas duct in position (only for L100 upper ventilation system kit).

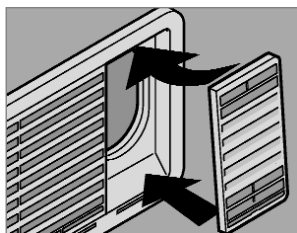


Fig. 23

**5**

Insert winter cover.

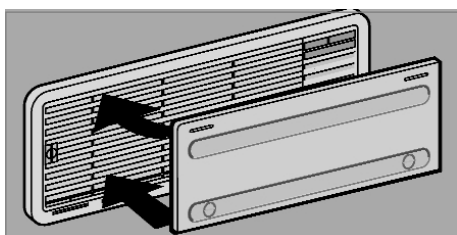


Fig. 24

## 4.4 Exhaust gas duct and installing the fume flue

The exhaust gas duct system must be made in such a manner as to achieve a complete extraction of combustion products to the outside of living space. The duct system must slope in an upward direction in order to avoid a build-up of condensate. The type of exhaust gas duct shown in Fig. 25 allows the installation of the winter cover next to (10) (Fig. 25).

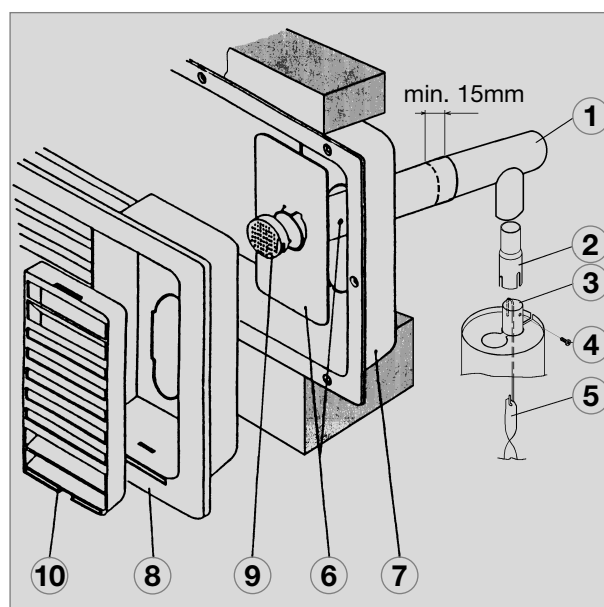


Fig. 25

### Installing the standard fume flue

1. Connect T-piece (1) to adaptor (2) or flue pipe (3) as required and affix with screw (4). Ensure that heat baffle (5) is lodged in the correct position.

2. Insert flue pipe with cover plate (6) through the appropriate aperture in the upper frame (7) and connect to T-piece (1). If necessary, shorten flue pipe (6) to the required length.

3. Insert and lock ventilation grill LS 100 (8) in the mounting frame (7).

4. Put cap (9) on flue pipe (6).

5. Insert extractor insert (10) into ventilation grille (8).

## 4.5 Installation recess

The refrigerator must be installed draught-proof in a recess (also refer to Section "4.1.4"). The measurements of the recess are stated in the table below. **Step (1)** (Fig. 26) is only required for cabinets with a step. The floor of the recess must be level, allowing the appliance to be pushed easily into its correct position. The floor must be substantial enough to bear the weight of the appliance.

### 4.5.1 Installation in the recess

Push the appliance far enough into the recess until the front edge of the refrigerator casing is aligned with the front of the recess. Allow a **gap of 15-20 mm** between the back wall of the recess and the refrigeration unit.

**Ensure that the refrigerator is installed level in the recess.**

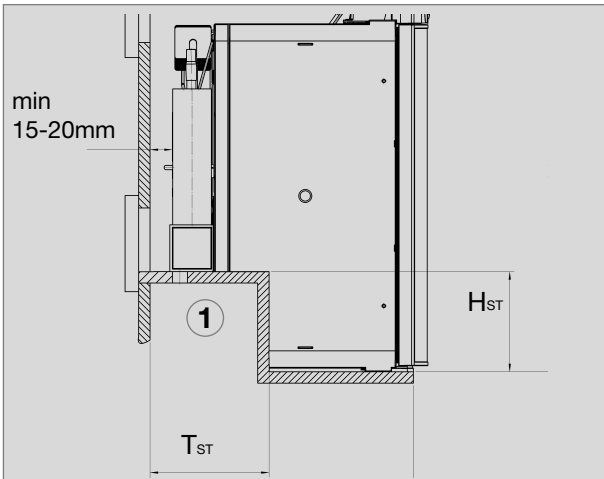


Fig. 26

| Model     | Height H <sub>ST</sub> | Depth T <sub>ST</sub> |
|-----------|------------------------|-----------------------|
| RMS 8400  | 220 mm                 | 235 mm                |
| RMS 8401  | 220 mm                 | 235 mm                |
| RMS 8405  | 220 mm                 | 235 mm                |
| RMS 8460  | 220 mm                 | 235 mm                |
| RMS 8461  | 220 mm                 | 235 mm                |
| RMS 8465  | 220 mm                 | 235 mm                |
| RMS 8500  | 220 mm                 | 235 mm                |
| RMS 8501  | 220 mm                 | 235 mm                |
| RMS 8505  | 220 mm                 | 235 mm                |
| RMS 8550  | 220 mm                 | 235 mm                |
| RMS 8551  | 220 mm                 | 235 mm                |
| RMS 8555  | 220 mm                 | 235 mm                |
| RMSL 8550 | 220 mm                 | 235 mm                |
| RMSL 8551 | 220 mm                 | 235 mm                |
| RMSL 8555 | 220 mm                 | 235 mm                |

## 4.6 Securing the refrigerator

In the sidewalls of the refrigerator, there are four plastic sleeves for securing the refrigerator. The sidewalls or strips attached for securing the refrigerator must be prepared to hold the screws firmly in place even when under increased load (while the vehicle is moving). Fastening screws and caps are supplied with the refrigerator

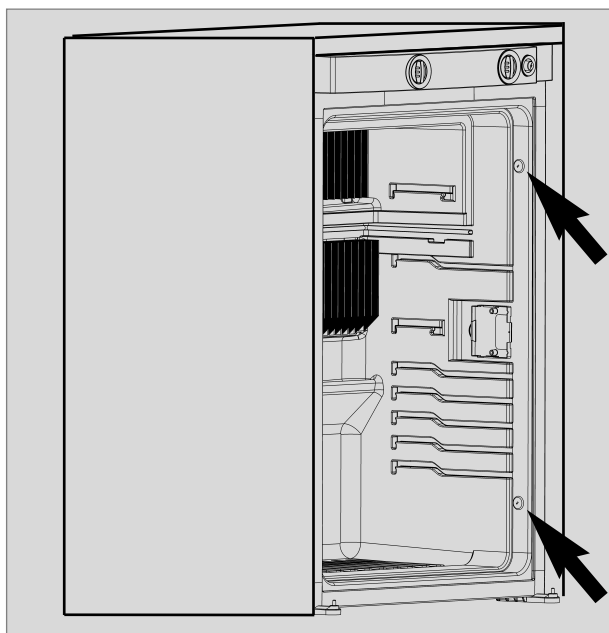


Fig. 27

### CAUTION!

Always insert screws through the sleeves provided as otherwise components laid in foam, such as cables etc., could be damaged.

After the refrigerator is put in its final place, secure the screws into the wall of the recess. The screws must penetrate the casing of the refrigerator.

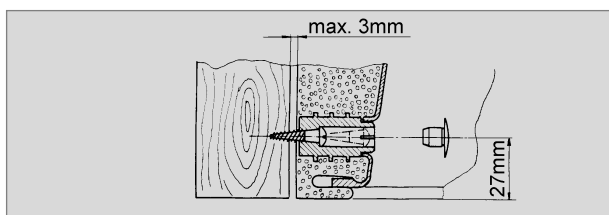


Fig. 28

## 4.7 Inserting the decor panel

### Model RM 8xxx, RMS 8xxx

- Remove the lateral ledge (1) the door (ledge is attached, not screwed).
- Shift decor panel (2) away from the door and insert the new decor panel. Re-attach ledge (1).

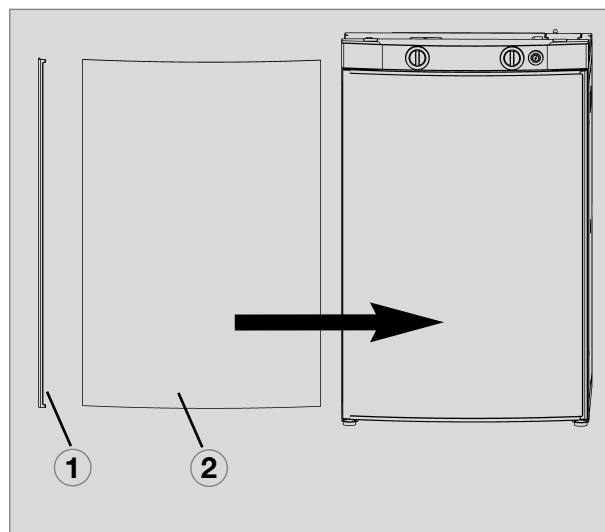


Fig. 29

### Decor panel dimensions :

**Casing width** 486 mm

| Height         | Width          | Thickness   |
|----------------|----------------|-------------|
| 743 +/- 0.5 mm | 472 +/- 0.5 mm | max. 2.2 mm |

**Casing width** 523 mm

| Height         | Width            | Thickness   |
|----------------|------------------|-------------|
| 743 +/- 0.5 mm | 510.5 +/- 0.5 mm | max. 2.2 mm |

**Model RM 8xxx, RMS 84xx**

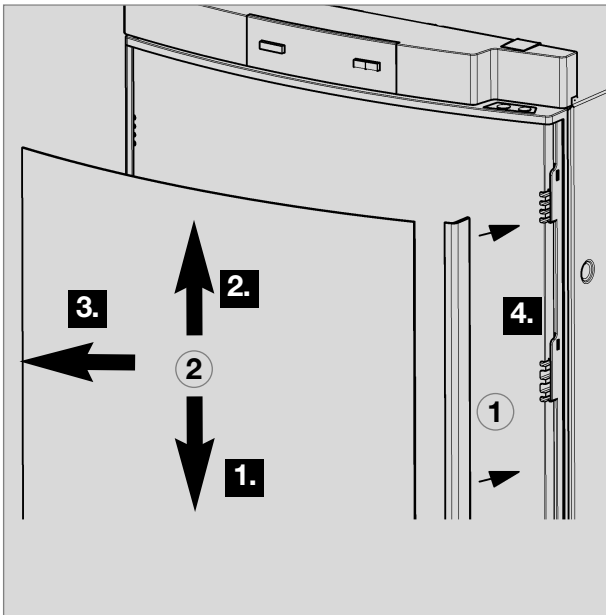


Fig. 30

**CAUTION!**

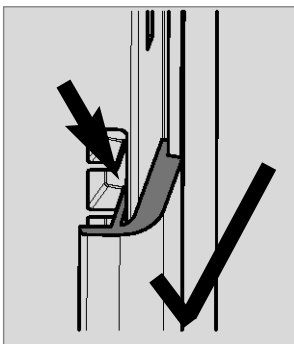


Fig. 31

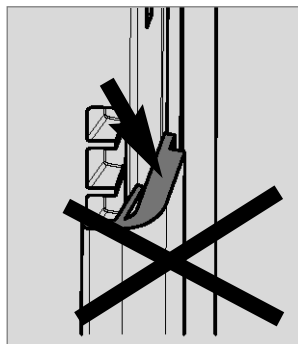


Fig. 32

**Model RMx(L) 8xxx, frameless decor panel**

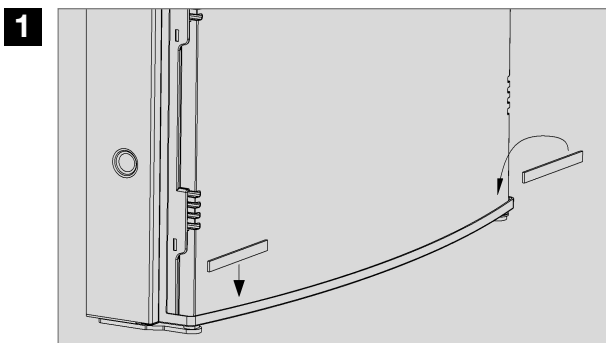


Fig. 33

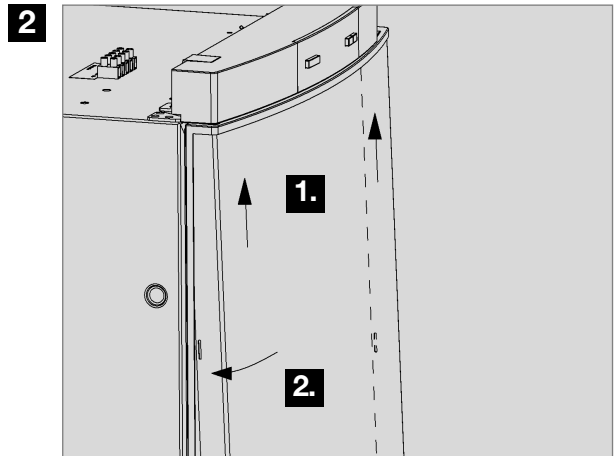


Fig. 34

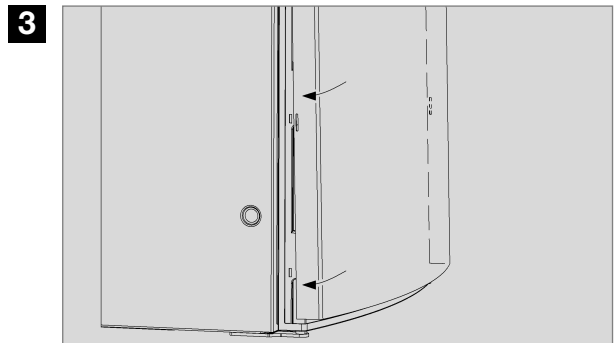


Fig. 35

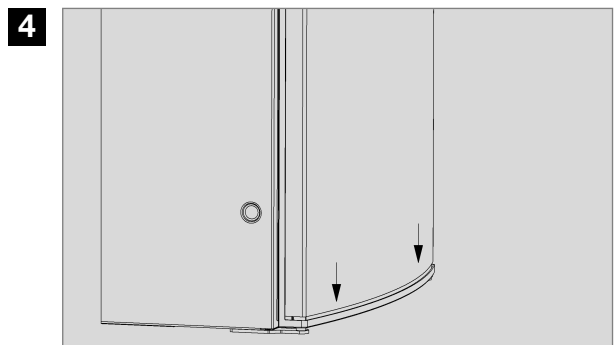


Fig. 36

**Decor panel dimensions RML 8xxx :**

**Casing width** 523 mm

**Height**                      **Width**                      **Thickness**

1169,5 +/-1 mm    507,5 +/-1 mm    max. 1.7 mm



## 4.8 Gas installation



### WARNING!

The gas connection shall be carried out by specialised personnel\* only.

\* Specialised personnel are accredited experts who are able, by virtue of their training and knowledge, to vouch for the correct installation and implementation of the leakage test.

- Observe the regulations stated in section 2.1 .
- This refrigerator is provided for installation within liquid gas equipment in compliance with EN1949 and must be run exclusively on liquid gas (propane, butane) (no natural gas, town gas).
- A fixed, pre-set pressure regulator complying with EN 12864 must be connected to the liquid gas cylinder.
- The pressure regulator must concur with the operating pressure specified on the rating plate of the appliance. The operating pressure corresponds to the standard pressure of the country of specification (EN 1949, EN 732).
- Only one connection pressure is permissible for any one vehicle! A plate showing the permanent, clearly legible notice must be displayed in full view at the point where the gas cylinder is installed.
- The gas connection to the appliance must be installed securely and free of stress using pipe connectors and must be securely connected to the vehicle (a hose connection is not permissible) (EN 1949).
- The gas connection to the appliance is effected by means of (Ermeto-) olive type fitting L8, DIN 2353-ST, complying with EN 1949 ( s. figure 37, 38).
- After professional installation, a leakage test as well as a flame test have to be carried out by qualified personnel\* in

conformity with EN 1949. A test certificate has to be issued.

- The refrigerator must be equipped with a shut-off valve allowing to cut the supply line. Such a shut-off device must be readily accessible to the user.

### Connection pressure and gas categories

The refrigerators are operated using the gases and inlet pressures stated below. The pressure reducing valves between the gas cylinder and refrigerator to be used must comply with the categories stated in the following table.

| Category       | Pressure in mbar | GAS     |
|----------------|------------------|---------|
| I3B / P(30)    | 30               | Butane  |
|                | 30               | Propane |
| I3+ (28-30/37) | 28-30            | Butane  |
|                | 37               | Propane |



Dometic refrigerators are equipped for a connection pressure of **30 mbar**. For connection to a 50 mbar gas system, use **Truma VDR 50/30 medium pressure controller**.



When using **LPG gas**, please consider that the burner needs cleaning at shorter intervals due to the gas combustion method (2 - 3 times per year recommended).

**Gas connection RM(S) 8xx0 models**

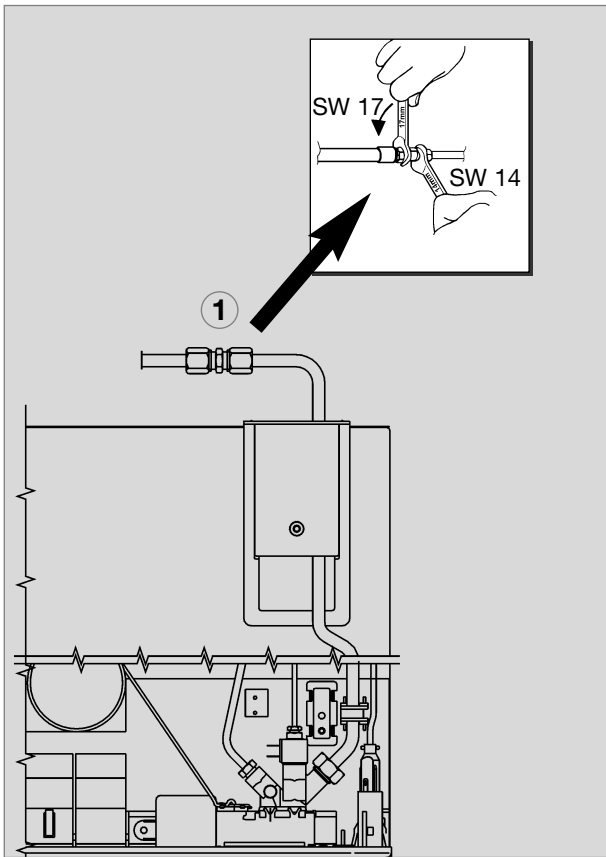


Fig. 37

- 1 (Ermeto-) Olive type fitting L8, (EN ISO 8434)

**Gas connection  
RM(S) 8xx1, RM(S) 8xx5 models**

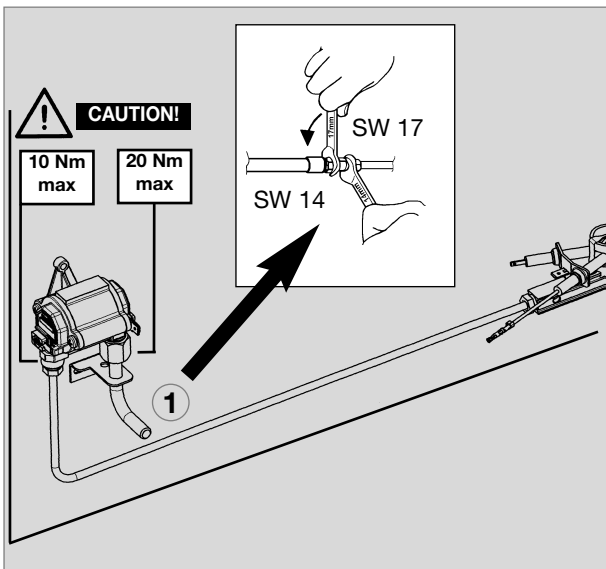


Fig. 38

## 4.9 Electrical installation



### WARNING!

Die elektrische Installation darf nur von einer autorisierten Fachkraft\* ausgeführt werden.

\* Specialised personnel are accredited experts who are able, by virtue of their training and knowledge, to vouch for the correct installation.

- The electrical installation must be in accordance with the national regulations of the respective countries.
- The connection cables must be routed in a way to prevent contact with hot components of the unit/burner or with sharp edges.
- Changes to the internal electrical installation or the connection of other electrical components (e.g. external fan) to the internal wiring of the appliance will render the e1/ CE admittance as well as any claims from warranty and product liability void!

### 4.9.1 Mains connection

- The power should be supplied by a properly grounded socket outlet or a grounded non-detachable connection. Where a socket outlet with mains supply is used, the outlet must be freely accessible.

Should the connection cable be damaged, have it replaced by Dometic Customer Services or by qualified personnel to avoid hazards.

We recommend leading the power supply via a board-side fuse protection.

### 4.9.2 Battery connection

The machine's 12V connection cable is connected (observing correct polarity) to a terminal strip (RMx 8xx0) or plug-in-contacts (RMx 8xx1, 8xx5). The wiring for the 12V heating element (refer to A, B wiring diagram connections) must be direct and by the shortest possible route to the battery or electric generator.

**To protect the on-board 12 V circuit provide the following fuses:**

- RM8xxx, RMS8xxx: 15 A
- RML855x, RMSL855x: 20 A

In order to ensure that the 12V power supply is shut off when stopping the engine (otherwise the battery would discharge within a few hours), perform the power supply to the 12V heating element (connection A/B in wiring diagram) in a way to have the 12V supply only live while the vehicle ignition is switched on.

The connection C/D (interior light, electronics) must be permanently provided by a 12V DC power supply to be protected by a 2A fuse.

### CAUTION!

If the appliance is installed in a caravan the respective leads for the 12V+ and 12V-connections A/B and C/D must not be connected to each other on the caravan-side (EN 1648-1).

**Cable cross sections and cable lengths :**

#### Motorcaravan & Caravan (inside)

|  |       |
|--|-------|
| 4 mm <sup>2</sup> (RML 8xxx = 6 mm <sup>2</sup> )  | < 6 m |
| 6 mm <sup>2</sup> (RML 8xxx = 10 mm <sup>2</sup> ) | > 6 m |

#### Caravan (outside)

min 2,5 mm<sup>2</sup> (EN1648-1)

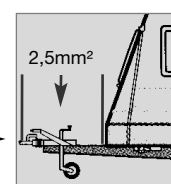
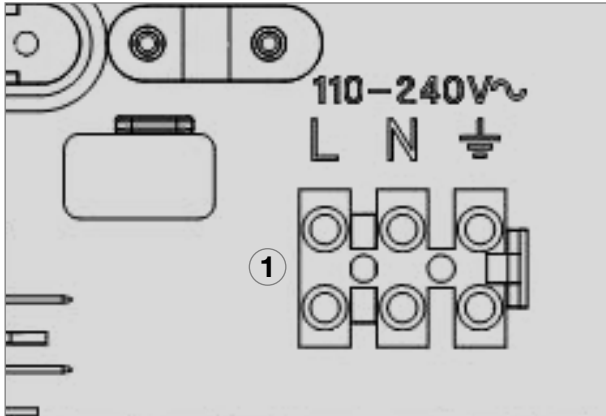


Fig. 42

### 4.9.3 Cable connections

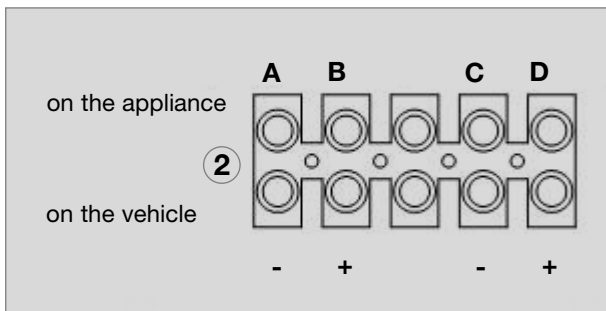
#### Connections for models RM(S) 8xx0



Mains connection

Fig. 39

- 1 L = brown
- N = blue
- Earth = yellow/green



12V connection

Fig. 40

- 2 A = Ground heating element DC (brown)
- B = Positive connection, heating element DC (brown)
- C = Ground interior lighting (black)
- D = Positive connection lighting (white)

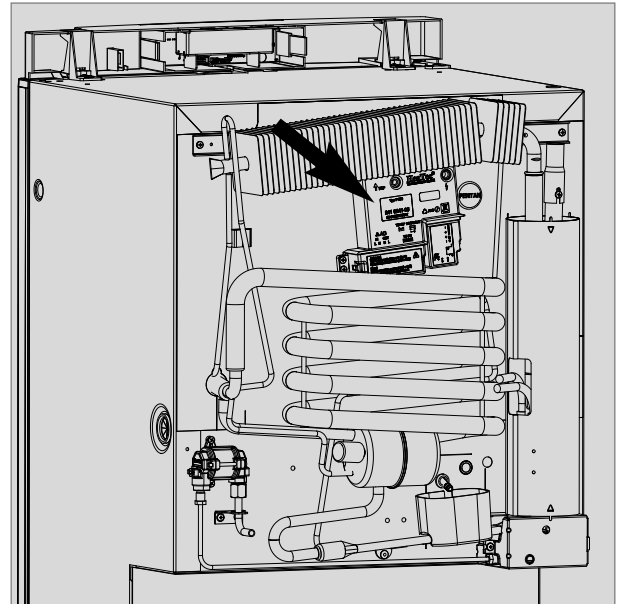
#### Connections for models RM(S) 8xxx (MES), RM(S) 8xx5 (AES) :



For MES and AES it is compulsory to provide a permanent 12V DC supply at the terminals C/D (permanent voltage supply for functional electronics).

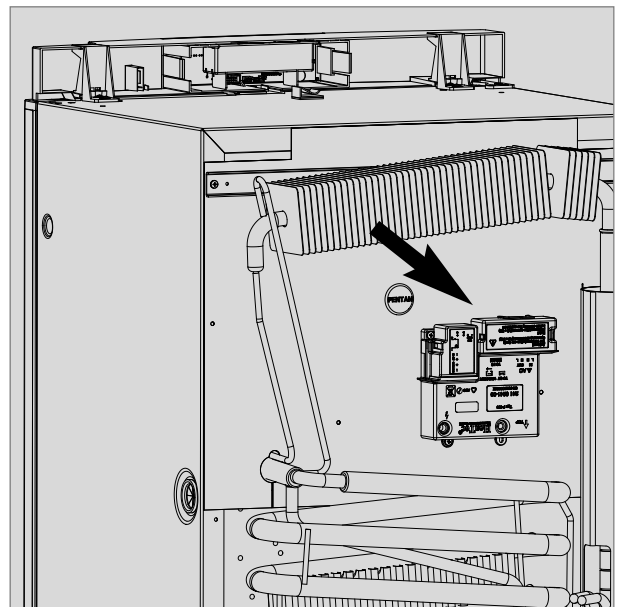
The power supplies for electronics and heating element are connected directly at the plug-in contacts of the electronics.

#### Position of the control electronics :



Stepped cabinet models

Fig. 41



Standard models

Fig. 42

**Contacts at the electronics:**

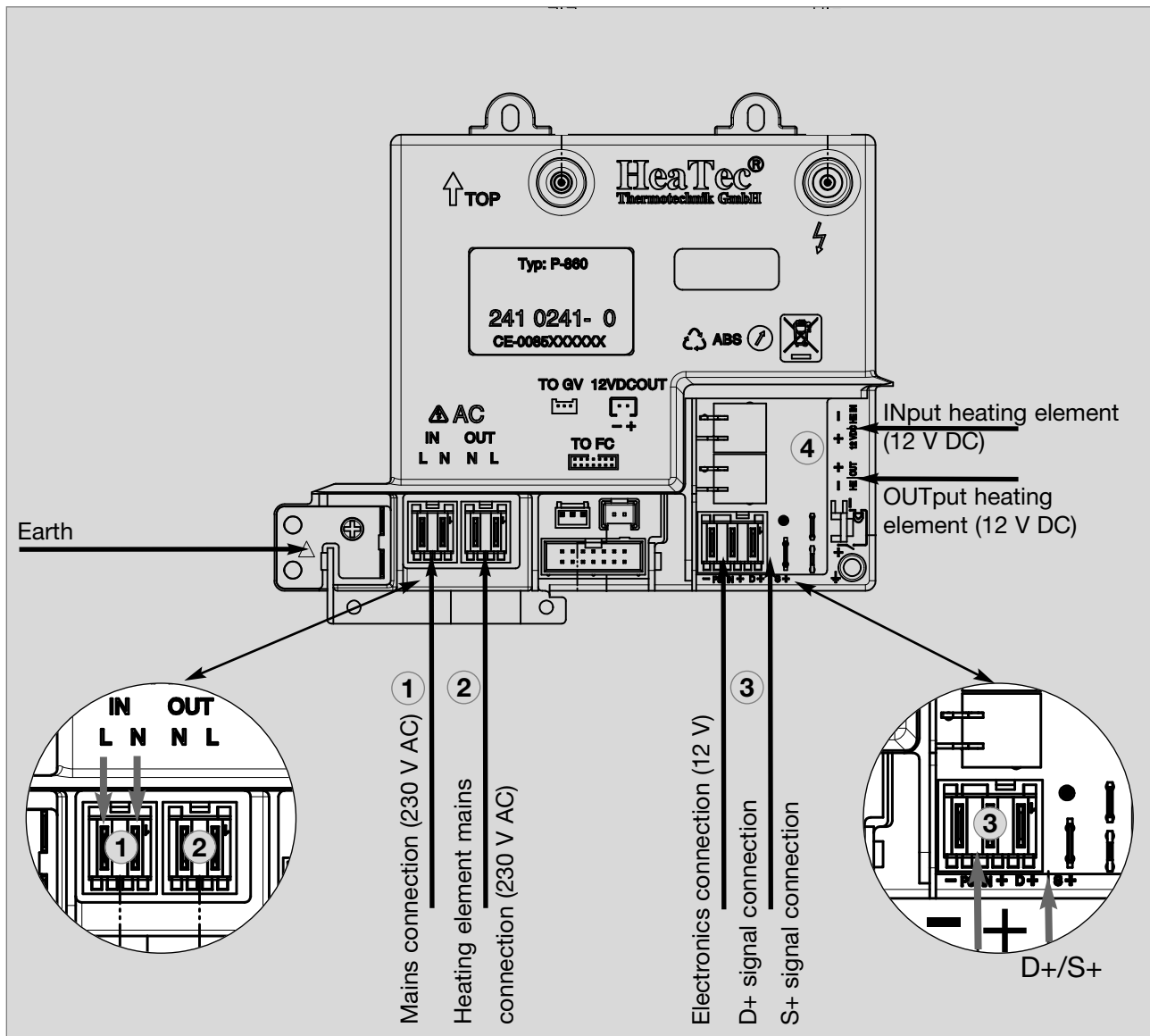


Fig. 43

**Plug-in contacts (manufacturer: Stocko® )**

- ① MF 9562-002-80E
- ② MF 9562-002-8 OC
- ③ 3-pin with D+ contact: MF 9562-003-8 30 960-000-00  
2-pin : MF 9562-002-8 ON + spade connector 6.3 x 0.8
- ④ MKH 5132-1-0-200

### 4.9.4 D+ and solar connection (only for AES models)

#### D+ signal connection

In **>Automatic Mode<** the **AES** electronic system automatically selects the most efficient energy supply. In automatic mode the electronic system uses the **D+ signal** (dynamo +) of the alternator to detect **12V DC**. 12V DC operation is selected only while the engine is running in order to prevent battery discharge.

#### S+ signal connection:

12V DC energy can be optionally achieved by mounting solar equipment to the vehicle. The solar power equipment must be provided with a solar charging controller with **AES output** (adequate charging controllers available in selected stores). The "S+ connection (Solar +) must be connected to the respective terminal of the solar charging controller (**AES output**). The electronic system uses the **S+ signal** of the solar charging controller to detect **solar 12V DC**.

#### Cable cross-sectional areas:

There are no particularly high current flows via the D+ and S+ connection; therefore no particularly large cross-section is required for these connections (approx. 1mm<sup>2</sup> is sufficient).

### 4.9.5 Circuit diagrams

#### Circuit diagram RM(S) 8x0 :

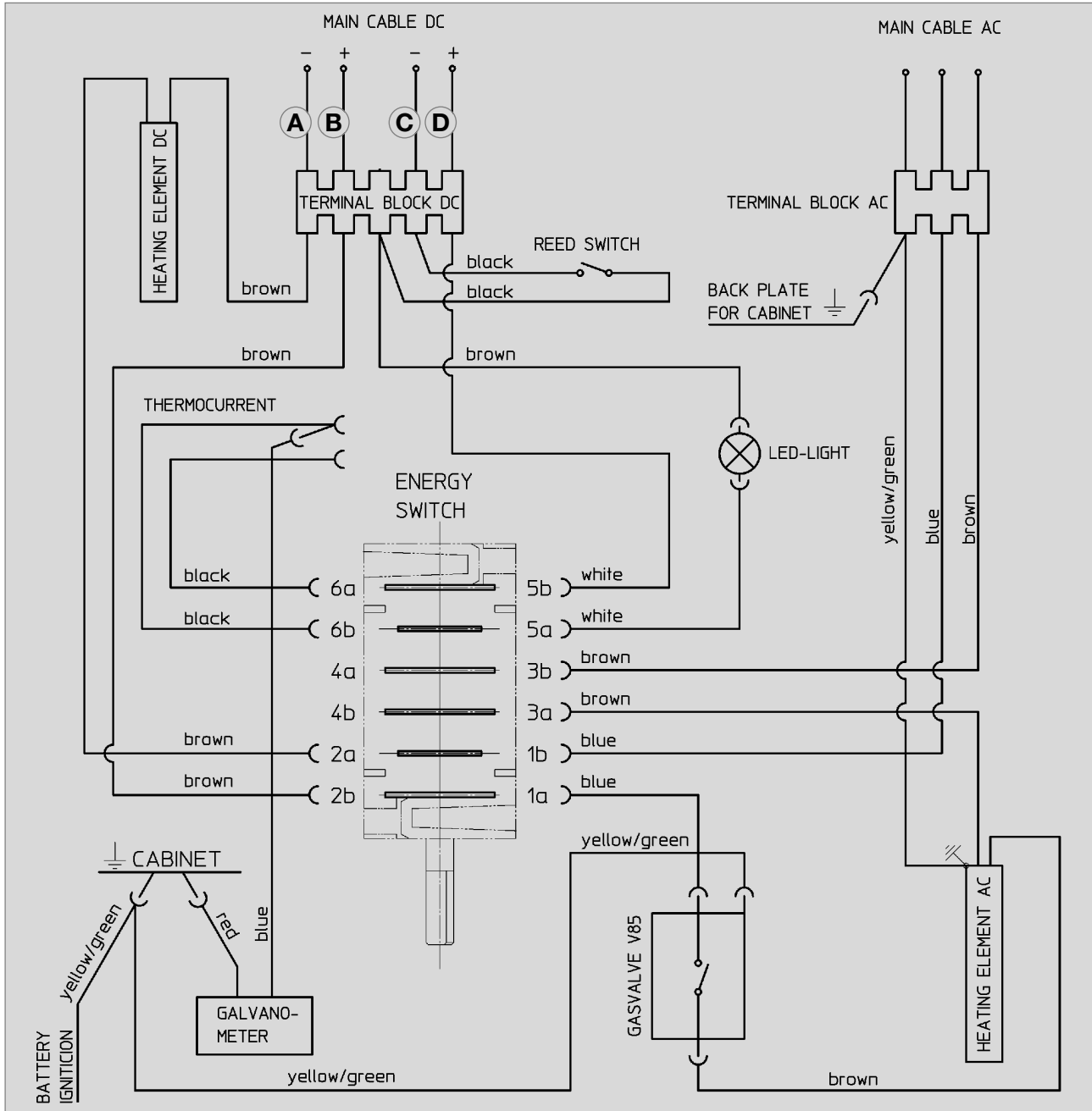


Fig. 44

Circuit diagram RM(S) 8xx1, RM(S) 8xx5 :

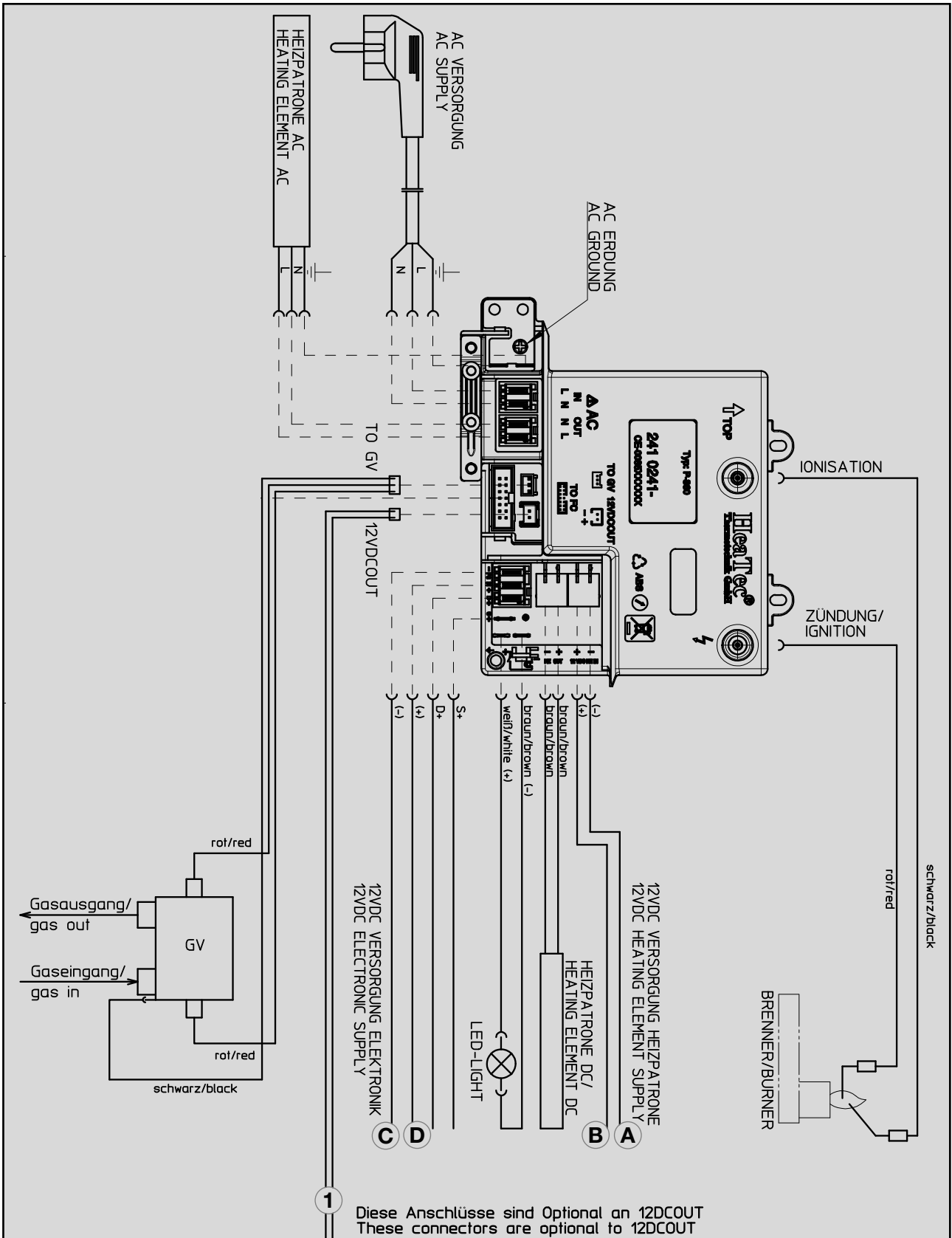


Fig. 45



**Fan (optional) RM(S) 8xx1, RM(S) 8xx5 :**

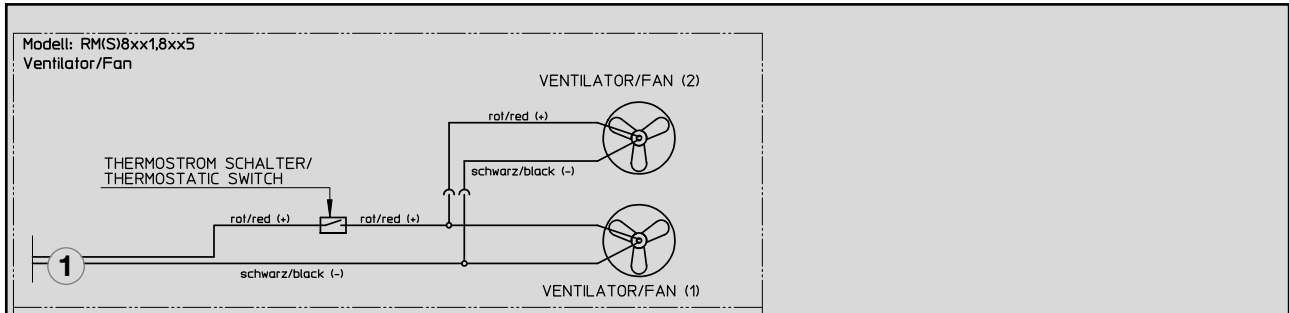


Fig. 46

- ① = 12V OUT / 12 V power supply for optional connections
- Ⓐ = Ground connection heating element 12VDC
- Ⓑ = Positive connection, heating element 12VDC
- Ⓒ = Ground connection electronics 12VDC
- Ⓓ = Positive connection electronics 12VDC



**For MES and AES it is compulsory to provide a permanent 12V DC supply at the terminals C/D (permanent voltage supply for functional electronics)**



## Einbauanleitung

### Absorber-Kühlschrank für Freizeitfahrzeuge

RM 8400 RM 8401 RM 8405 RM 8500 RM 8501 RM 8505 RM 8550 RM 8551 RM 8555  
RMS 8400 RMS 8401 RMS 8405 RMS 8460 RMS 8461 RMS 8465 RMS 8500 RMS 8501  
RMS 8505 RMS 8550 RMS 8551 RMS 8555 RML 8550 RML 8551 RML 8555 RMSL 8500  
RMSL 8501 RMSL 8505



N 1-1

MBA 05/2012

DE

---

# Inhaltsverzeichnis

|       |  |    |
|-------|--|----|
| 0.0   | Auspacken und Transport .....                      | 3  |
| 1.0   | Allgemeines .....                                  | 4  |
| 1.1   | Einleitung .....                                   | 4  |
| 1.2   | Hinweise zu dieser Bedienungsanleitung .....       | 4  |
| 1.3   | Urheberschutz .....                                | 4  |
| 1.4   | Erklärung der verwendeten Symbole .....            | 4  |
| 1.5   | Gewährleistung .....                               | 5  |
| 1.6   | Haftungsbeschränkung .....                         | 5  |
| 1.7   | Konformitätserklärung .....                        | 5  |
| 2.0   | Sicherheitshinweise .....                          | 6  |
| 2.1   | Bestimmungsgemäße Verwendung .....                 | 6  |
| 2.2   | Verantwortung des Nutzers .....                    | 6  |
| 2.3   | Arbeiten und Überprüfungen am Kühlschrank .....    | 6  |
| 2.4   | Betreiben des Kühlschranks mit Gas .....           | 6  |
| 3.0   | Modellbeschreibung .....                           | 7  |
| 3.1   | Modellbezeichnung .....                            | 7  |
| 3.2   | Typenschild des Kühlschranks .....                 | 7  |
| 3.3   | Technische Daten .....                             | 7  |
| 4.0   | Einbauanleitung .....                              | 10 |
| 4.1   | Einbau .....                                       | 10 |
| 4.1.1 | Seitlicher Einbau .....                            | 10 |
| 4.1.2 | Seitlicher Einbau mit Boden-Dach-Ventilation ..... | 11 |
| 4.1.3 | Heckeinbau .....                                   | 11 |
| 4.1.4 | Zugdichter Einbau .....                            | 12 |
| 4.2   | Be- und Entlüftung des Kühlschranks .....          | 13 |
| 4.3   | Einbau der Lüftungssysteme .....                   | 14 |
| 4.4   | Abgasführung und Anbringung des Abgaskamins .....  | 15 |
| 4.5   | Einbaunische .....                                 | 16 |
| 4.5.1 | Aufstellung in der Nische .....                    | 16 |
| 4.6   | Kühlschrankbefestigung .....                       | 17 |
| 4.7   | Einsetzen der Dekorplatte .....                    | 17 |
| 4.8   | Gasinstallation .....                              | 19 |
| 4.9   | Elektrische Installation .....                     | 21 |
| 4.9.1 | Netzanschluss .....                                | 21 |
| 4.9.2 | Batterieanschluss .....                            | 21 |
| 4.9.3 | Kabelanschlüsse .....                              | 22 |
| 4.9.4 | D+ und Solaranschluss .....                        | 24 |
| 4.9.5 | Schaltschemata .....                               | 25 |

Dometic GmbH  
In der Steinwiese 16  
D-57074 Siegen  
[www.dometic.com](http://www.dometic.com)

© Dometic GmbH - 2011 - Änderungen vorbehalten



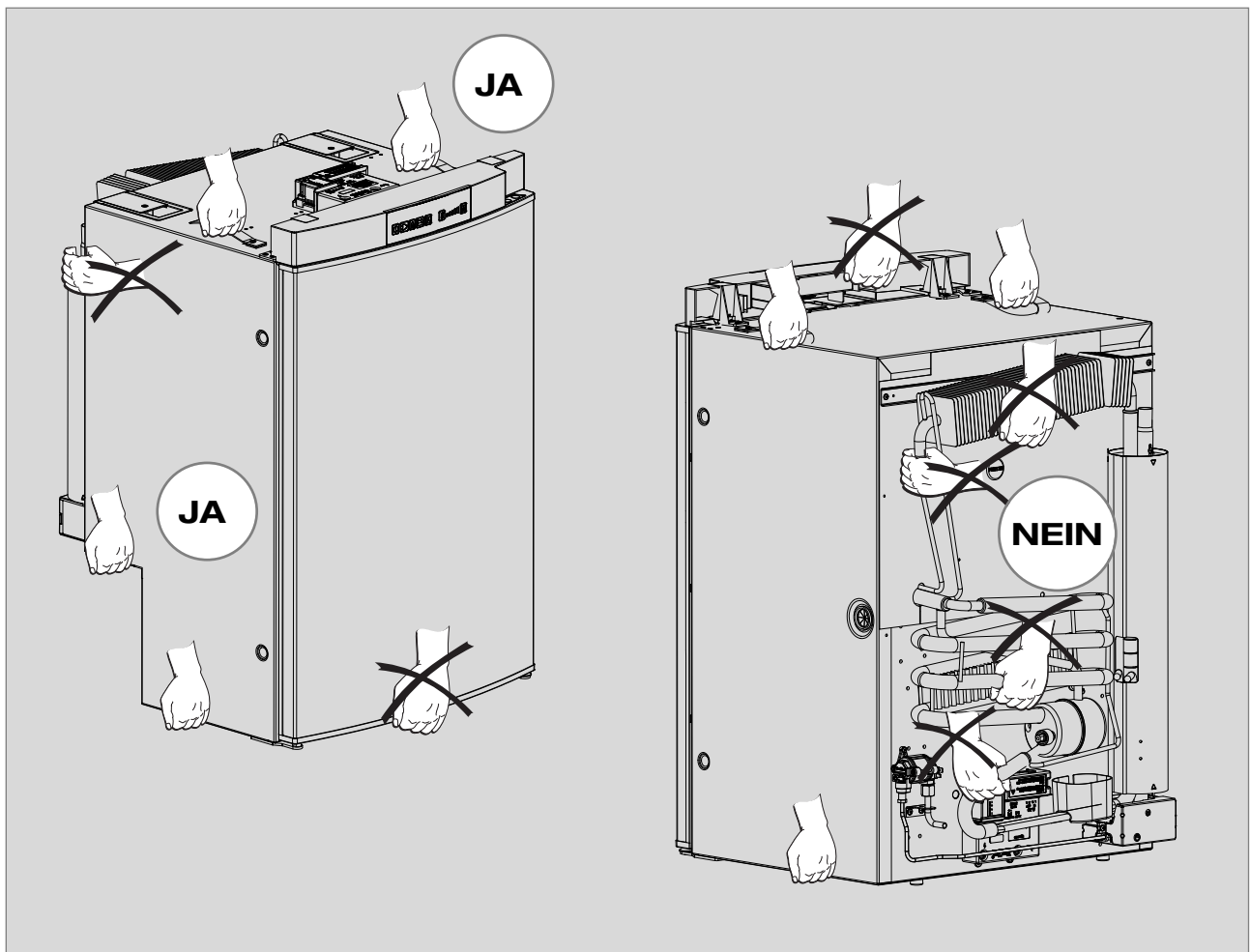
## 0.0 Auspacken und Transport

### Anheben / Tragen des Kühlschranks

#### **VORSICHT!**

Nutzen Sie niemals zum Tragen oder Anheben des Kühlschranks andere Teile am Kühlschrank als die in der Abbildung gezeigten ( vor allem nicht das Aggregat, Gasleitungen und Bedienblende) !

Sie vermeiden Beschädigungen am Kühlschrank !



## 1.0 Allgemeines

### 1.1 Einleitung

Beim Einbau des Gerätes müssen die technischen und administrativen Vorschriften des Landes, in dem das Fahrzeug zum ersten Mal zugelassen wird, beachtet werden.

Ansonsten sind die Einbauvorschriften des Herstellers zu beachten. In Europa z.B. müssen Gasgeräte, Leitungsverlegung, Gasflaschenaufstellung sowie Abnahme und Dichtheitsprüfung der Europäischen Norm **EN 1949** für Flüssiggasanlagen in Fahrzeugen entsprechen.

### 1.2 Hinweise zu dieser Installationsanleitung

**Bevor Sie den Kühlschrank einbauen, lesen Sie diese Installationsanleitung bitte sorgfältig durch.**

Diese Anleitung gibt Ihnen die nötigen Hinweise für den richtigen Einbau Ihres Kühlschranks. **Beachten Sie besonders die Sicherheitshinweise.** Die Einhaltung der Hinweise und Handlungsanweisungen ist wichtig und schützt Sie und den Kühlschrank vor Schäden. Das Gelesene muss verstanden worden sein, bevor Sie eine Maßnahme durchführen.

**Bewahren Sie diese Installationsanleitung sorgfältig auf, sodass sie jederzeit verwendet werden kann.**

### 1.3 Urheberschutz

Die Angaben, Texte und Abbildungen in dieser Anleitung sind urheberrechtlich geschützt und unterliegen den gewerblichen Schutzrechten. Kein Teil dieser Anleitung darf ohne die schriftliche Genehmigung der Dometic GmbH, Siegen, reproduziert, kopiert oder sonstwie verwendet werden.

### 1.4 Erklärung der verwendeten Symbole

#### Warnhinweise

Warnhinweise sind durch Symbole gekennzeichnet. Ein ergänzender Text erläutert Ihnen den Grad der Gefährdung.

**Beachten Sie diese Warnhinweise sehr genau. Damit schützen Sie sich, andere Personen und das Gerät vor Schäden.**



**GEFAHR!**

**GEFAHR** kennzeichnet eine unmittelbare Gefahrensituation, die zum Tod oder einer ernstesten Verletzung führen kann, wenn die angegebenen Anweisungen nicht befolgt werden.



**WARNUNG!**

**WARNUNG** kennzeichnet eine mögliche Gefahrensituation, die zum Tod oder einer ernstesten Verletzung führen kann, wenn die angegebenen Anweisungen nicht befolgt werden.



**VORSICHT!**

**VORSICHT** kennzeichnet eine mögliche Gefahrensituation, die zu leichten oder mittleren Verletzungen führen kann, wenn die angegebenen Anweisungen nicht befolgt werden.

**VORSICHT!**

**VORSICHT** ohne Sicherheitssymbol kennzeichnet eine mögliche Gefahrensituation, die zu Beschädigungen des Gerätes führen kann, wenn die angegebenen Anweisungen nicht befolgt werden.

## Information



**INFORMATION** gibt Ihnen ergänzende und nützliche Hinweise zum Umgang mit Ihrem Kühlschrank.

## Umwelthinweis



**UMWELTHINWEIS** gibt Ihnen nützliche Hinweise zur Energieeinsparung und Entsorgung des Gerätes.

## 1.5 Gewährleistung

Gewährleistungsabwicklungen erfolgen nach der europäischen Richtlinie 44/1999/EC und den landesüblichen Bedingungen. Im Gewährleistungs- oder Servicefall wenden Sie sich bitte an unseren Kundendienst. Störungen, die auf fehlerhafte Bedienung zurückzuführen sind, unterliegen nicht der Gewährleistung. Jede Veränderung am Gerät oder die Verwendung von Ersatzteilen, die keine **Original - Dometic - Ersatzteile** sind, sowie das Nichteinhalten der Einbau- und Bedienungsanleitung führt zum Erlöschen der Gewährleistung und zum Ausschluss von Haftungsansprüchen.



## 1.6 Haftungsbeschränkung

Alle Angaben und Hinweise in dieser Einbauanleitung wurden unter Berücksichtigung geltender Normen und Vorschriften sowie dem Stand der Technik erstellt. **Dometic** behält sich vor, jederzeit Änderungen am Produkt vorzunehmen, die im Interesse der Verbesserung des Produktes und der Sicherheit angebracht sind.

**Dometic** übernimmt keine Haftung für Schäden bei :

- Nichtbeachtung dieser Anleitung
- nicht bestimmungsgemäßer Verwendung
- Verwendung von nicht originalen Ersatzteilen
- Veränderungen und Eingriffen am Gerät
- Einwirkung von Umgebungseinflüssen, wie
  - Temperaturänderungen
  - Luftfeuchtigkeit

## 1.7 Konformitätserklärung

|  <b>DOMETIC</b><br><small>Mobile living made easy.</small>   |  |                 |
|---|--|-----------------|
| <b>DECLARATION OF CONFORMITY</b>  |  |                 |
| according to  |  |                 |
| LVD 2014/35/EU<br>EMC Directive 2004/108/EC, 2014/30/EU<br>Gas Appliance Directive 2009/142/EC<br><br>ECE R10, Rev. 4   |  |                 |
| Type of equipment   | Absorption Refrigerator  |                 |
| Brand Name  | DOMETIC  |                 |
| Type family   | C 40/110   |                 |
| Manufacturer' s (Factory)   | DOMETIC GmbH   |                 |
| name  | In der Steinwiese 16, D-57074 Siegen   |                 |
| address   | INT+49 - 271 692 0   |                 |
| telephone no  | INT+49 - 271 692 304   |                 |
| telefax no  |  |                 |
| The following harmonized standards or technical specifications (designations) which comply with good engineering practice in safety matters in force within the EEA have been practiced:<br>EN 60335-1;12 (IEC 60335-1; 5 ed., Am. 1, Am. 2),<br>EN 60335-2-24;10 (IEC 60335-2-24; 7 ed., Am. 1),<br>EN 61000-3-2;06, A1, A2                      EN 61000-3-3;08<br>EN 55014-1;06, A1, A2                      EN 55014-2;97, A1, A2<br>EN 732;98                      EN 60335-2-102;06<br>EN 30-1-1;10 A1 (Tectower-Models)<br>EN 30-2-1; 98 A1, A2 (Tectower-Models)<br>EN 50581;2010 |  |                 |
| The equipment conforms completely with the above stated harmonized standards or technical specifications.   |  |                 |
| By signing this document, the undersigned declares as manufacturer, or the manufacturer's authorized representative established within the EEA, that the equipment in question complies with the requirements stated above.   |  |                 |
| Date  | Signature  | Position        |
| 2017.01.09  | <br>Bernd Löher | General Manager |

## 2.0 Sicherheitshinweise

### 2.1 Bestimmungsgemäße Verwendung

Dieser Kühlschrank ist für den Einbau in Freizeitfahrzeuge wie Wohnwagen oder Reisemobile vorgesehen. Das Gerät ist für diese Anwendung in Konformität mit der EU-Gasgeräte richtlinie baumustergeprüft.

Benutzen Sie den Kühlschrank ausschließlich zum Kühlen und Lagern von Lebensmitteln.

#### **VORSICHT!**

Der Kühlschrank darf nicht dem Regen ausgesetzt werden.

### 2.2 Verantwortung des Nutzers

Personen, die den Kühlschrank bedienen, müssen mit dem sicheren Umgang vertraut sein und die Hinweise der Bedienungsanleitung kennen.

### 2.3 Arbeiten und Überprüfungen am Kühlschrank



#### **WARNUNG!**

Arbeiten an den Gas-, Abgas- und Elektroeinrichtungen dürfen nur von autorisierten Fachkräften ausgeführt werden. Durch nicht fachgerechte Maßnahmen können erhebliche Sach- und/oder Personenschäden entstehen.



#### **GEFAHR!**



Überprüfen Sie niemals gasführende Teile und Leitungen mit einer offenen Flamme auf Undichtigkeit !  
Es besteht Brand- oder Explosionsgefahr.



#### **WARNUNG!**

Öffnen Sie niemals das Absorberkühlaggregat ! Es steht unter hohem Druck.

Es besteht Verletzungsgefahr!

### 2.4 Betreiben des Kühlschranks mit Gas

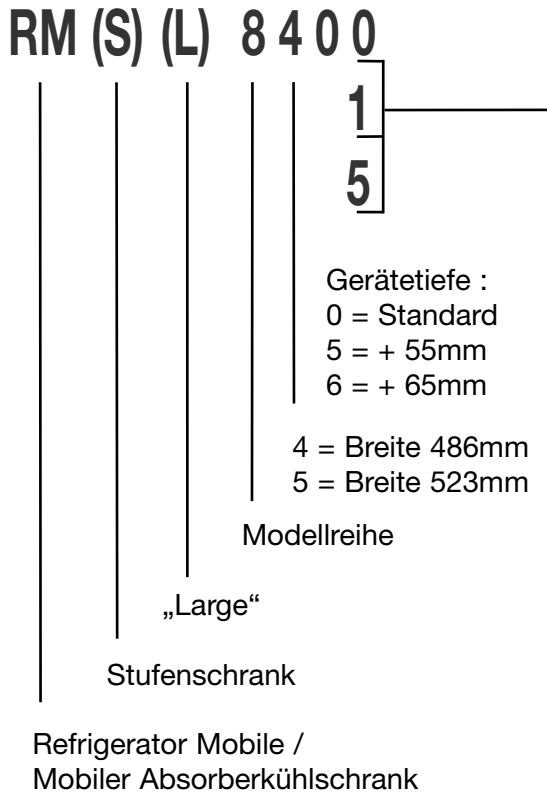
Der Betriebsdruck muss unbedingt der Angabe auf dem Typenschild des Kühlschranks entsprechen. Vergleichen Sie die Angabe des Betriebsdruckes auf dem Typenschild mit den Daten des Druckminderers an der Flüssiggasflasche.



### 3.0 Modellbeschreibung

#### 3.1 Modellbezeichnung

Beispiel :



- 0  
manuelle Energiewahl + manuelle Zündung  
**(Batteriezünder)**
- 1  
manuelle Energiewahl, automatische  
Zündung **(MES)**
- 5  
automatische und manuelle Energiewahl,  
automat. Zündung **(AES)**

#### 3.2 Typenschild des Kühlschranks

Im Inneren des Kühlschranks finden Sie das Typenschild des Kühlschranks. Es enthält alle wichtigen Angaben zum Kühlschrank. Dort können Sie die Modellbezeichnung, die Produktnummer und Seriennummer ablesen. Diese Angaben benötigen Sie bei allen Kontakten mit dem Kundendienst oder der Ersatzteilbestellung.

| DOMETIC                                   |  |  |
|---|--|--|
| MOD. NO. RM 8501 <b>1</b>                 | PROD. NO. 00921087908 <b>2</b>           | LC 00 SER. NO. 12600008 <b>3</b>                   |
| TYPE C 40/110                             | CLIMATE CLASS SN                         | SKU 9105703948                                     |
| BRUTTOINHALT<br>TOTAL CAP.<br>VOLUME BRUT | 100 l<br>106 l                           | VERDAMPFERFACH<br>FREEZER COMP.<br>VOLUME COMPT BT |
| 96 l<br>102 l                             | g l<br>0 l                               | NUTZINHALT<br>USEFUL CAP.<br>VOLUME NET            |
| ~ 230-240V / 125 W<br>12                  | LPG                                      | Qn: 0,252 kW (MS)<br>m: 18,3 g/h                   |
| <b>4</b>                                  | <b>5</b>                                 | 13 + 28 - 30/37<br>13B/P 28 - 30<br>13P 37         |
| CE 0063 BL3214                            | G30, G31                                 | p = 30/37 mbar                                     |
| ABSORBER NH <sub>3</sub> = 115 g          | Na <sub>2</sub> CrO <sub>4</sub> = 7,0 g | p max = 35 bar                                     |
| 11 CE 0085 031654                         | AP                                       | Z. 660   |
| MADE IN GERMANY                           |  | 00085136887  |

Beispiel

Abb. 1

- 1** Modellnummer
- 2** Produktnummer
- 3** Seriennummer
- 4** Elektrische Anschlusswerte
- 5** Gasdruck



Alle Dometic Kühlschränke sind für den Anschlussdruck **30 mbar** ausgerüstet. Verwenden Sie bei einem Anschluss an eine **50 mbar-Anlage** den **Truma Vordruckregler VDR 50/30**.

### 3.3 Technische Daten



Abb. 2

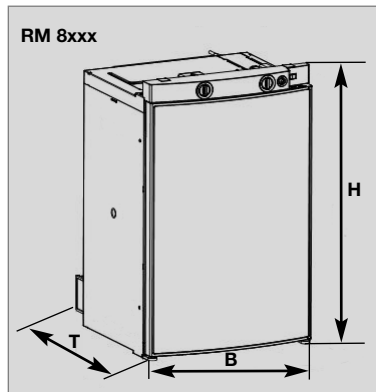


Abb. 3



Abb. 4

#### Modelle mit gebogener Tür

| Modell    | Abmessungen<br>H x B x T (mm)<br>Tiefe inkl. Tür | Bruttoinhalt /<br>mit<br>Frosterfach | Bruttoinhalt<br>Frosterfach<br>entnommen | Anschlusswerte<br>Netz/Batterie | Verbrauch *<br>Elektro/Gas<br>in 24h | Netto-<br>gewicht | Zündung |         |
|-----------|--|--------------------------------------|--|---------------------------------|--------------------------------------|-------------------|---------|---------|
|           |  |                                      |  |                                 |                                      |                   | Piezo   | Automat |
| RMS 8400  | 821x486x568                                      | 80 / 8 lit.                          | 85 lit.                                  | 125 W / 120 W                   | ca.2,5 kWh / 270 g                   | 25 kg             | •       |         |
| RMS 8401  | 821x486x568                                      | 80 / 8 lit.                          | 85 lit.                                  | 125 W / 120 W                   | ca.2,5 kWh / 270 g                   | 25 kg             |         | •       |
| RMS 8405  | 821x486x568                                      | 80 / 8 lit.                          | 85 lit.                                  | 125 W / 120 W                   | ca.2,5 kWh / 270 g                   | 25 kg             |         | •       |
| RM 8400   | 821x486x568                                      | 90 / 8 lit.                          | 95 lit.                                  | 135 W / 130 W                   | ca.2,4 kWh / 270 g                   | 27 kg             | •       |         |
| RM 8401   | 821x486x568                                      | 90 / 8 lit.                          | 95 lit.                                  | 135 W / 130 W                   | ca.2,4 kWh / 270 g                   | 27 kg             |         | •       |
| RM 8405   | 821x486x568                                      | 90 / 8 lit.                          | 95 lit.                                  | 135 W / 130 W                   | ca.2,4 kWh / 270 g                   | 27 kg             |         | •       |
| RMS 8460  | 821x486x633                                      | 90 / 11 lit.                         | 96 lit.                                  | 125 W / 120 W                   | ca.2,5 kWh / 270 g                   | 26 kg             | •       |         |
| RMS 8461  | 821x486x633                                      | 90 / 11 lit.                         | 96 lit.                                  | 125 W / 120 W                   | ca.2,5 kWh / 270 g                   | 26 kg             |         | •       |
| RMS 8465  | 821x486x633                                      | 90 / 11 lit.                         | 96 lit.                                  | 125 W / 120 W                   | ca.2,5 kWh / 270 g                   | 26 kg             |         | •       |
| RMS 8500  | 821x523x568                                      | 90 / 9 lit.                          | 96 lit.                                  | 125 W / 120 W                   | ca.2,5 kWh / 270 g                   | 26 kg             | •       |         |
| RMS 8501  | 821x523x568                                      | 90 / 9 lit.                          | 96 lit.                                  | 125 W / 120 W                   | ca.2,5 kWh / 270 g                   | 26 kg             |         | •       |
| RMS 8505  | 821x523x568                                      | 90 / 9 lit.                          | 96 lit.                                  | 125 W / 120 W                   | ca.2,5 kWh / 270 g                   | 26 kg             |         | •       |
| RMS 8550  | 821x523x623                                      | 103 /12 lit.                         | 110 lit.                                 | 125 W / 120 W                   | ca.2,6 kWh / 270 g                   | 27 kg             | •       |         |
| RMS 8551  | 821x523x623                                      | 103 /12 lit.                         | 110 lit.                                 | 125 W / 120 W                   | ca.2,6 kWh / 270 g                   | 27 kg             |         | •       |
| RMS 8555  | 821x523x623                                      | 103 /12 lit.                         | 110 lit.                                 | 125 W / 120 W                   | ca.2,6 kWh / 270 g                   | 27 kg             |         | •       |
| RM 8500   | 821x523x568                                      | 100 / 9 lit.                         | 106 lit.                                 | 135 W / 130 W                   | ca.2,4 kWh / 270 g                   | 28 kg             | •       |         |
| RM 8501   | 821x523x568                                      | 100 / 9 lit.                         | 106 lit.                                 | 135 W / 130 W                   | ca.2,4 kWh / 270 g                   | 28 kg             |         | •       |
| RM 8505   | 821x523x568                                      | 100 / 9 lit.                         | 106 lit.                                 | 135 W / 130 W                   | ca.2,4 kWh / 270 g                   | 28 kg             |         | •       |
| RM 8550   | 821x523x623                                      | 115 /12 lit.                         | 122 lit.                                 | 135 W / 130 W                   | ca.2,6 kWh / 270 g                   | 30 kg             | •       |         |
| RM 8551   | 821x523x623                                      | 115 /12 lit.                         | 122 lit.                                 | 135 W / 130 W                   | ca.2,6 kWh / 270 g                   | 30 kg             |         | •       |
| RM 8555   | 821x523x623                                      | 115 /12 lit.                         | 122 lit.                                 | 135 W / 130 W                   | ca.2,6 kWh / 270 g                   | 30 kg             |         | •       |
| RML 8550  | 1245x523x625                                     | 179 /33 lit.                         | 189 lit.                                 | 190 W / 170 W                   | ca.3,2 kWh / 380 g                   | 45 kg             | •       |         |
| RML 8551  | 1245x523x625                                     | 179 /33 lit.                         | 189 lit.                                 | 190 W / 170 W                   | ca.3,2 kWh / 380 g                   | 45 kg             |         | •       |
| RML 8555  | 1245x523x625                                     | 179 /33 lit.                         | 189 lit.                                 | 190 W / 170 W                   | ca.3,2 kWh / 380 g                   | 45 kg             |         | •       |
| RMSL 8500 | 1245x523x568                                     | 145 /28 lit.                         | 155 lit.                                 | 190 W / 170 W                   | ca.3,2 kWh / 380 g                   | 40 kg             | •       |         |
| RMSL 8501 | 1245x523x568                                     | 145 /28 lit.                         | 155 lit.                                 | 190 W / 170 W                   | ca.3,2 kWh / 380 g                   | 40 kg             |         | •       |
| RMSL 8505 | 1245x523x568                                     | 145 /28 lit.                         | 155 lit.                                 | 190 W / 170 W                   | ca.3,2 kWh / 380 g                   | 40 kg             |         | •       |

**Modelle mit flacher Tür**

| Modell   | Abmessungen<br>H x B x T (mm)<br>Tiefe inkl. Tür | Bruttoinhalt /<br>mit<br>Frosterfach | Bruttoinhalt<br>Frosterfach<br>entnommen | Anschlusswerte<br>Netz/Batterie | Verbrauch *<br>Elektro/Gas<br>in 24h | Netto-<br>gewicht | Zündung<br>Piezo | Automat |
|----------|--|--------------------------------------|--|---------------------------------|--------------------------------------|-------------------|------------------|---------|
| RMS 8500 | 821x523x541                                      | 86 / 9 lit.                          | 92 lit.                                  | 125 W / 120 W                   | ca.2,5 kWh / 270 g                   | 26 kg             | •                |         |
| RMS 8501 | 821x523x541                                      | 86 / 9 lit.                          | 92 lit.                                  | 125 W / 120 W                   | ca.2,5 kWh / 270 g                   | 26 kg             |                  | •       |
| RMS 8505 | 821x523x541                                      | 86 / 9 lit.                          | 92 lit.                                  | 125 W / 120 W                   | ca.2,5 kWh / 270 g                   | 26 kg             |                  | •       |
| RMS 8550 | 821x523x596                                      | 99 /12 lit.                          | 106 lit.                                 | 125 W / 120 W                   | ca.2,6 kWh / 270 g                   | 27 kg             | •                |         |
| RMS 8551 | 821x523x596                                      | 99 /12 lit.                          | 106 lit.                                 | 125 W / 120 W                   | ca.2,6 kWh / 270 g                   | 27 kg             |                  | •       |
| RMS 8555 | 821x523x569                                      | 99 /12 lit.                          | 106 lit.                                 | 125 W / 120 W                   | ca.2,6 kWh / 270 g                   | 27 kg             |                  | •       |
| RM 8500  | 821x523x541                                      | 96 / 9 lit.                          | 102 lit.                                 | 135 W / 130 W                   | ca.2,4 kWh / 270 g                   | 28 kg             | •                |         |
| RM 8501  | 821x523x541                                      | 96 / 9 lit.                          | 102 lit.                                 | 135 W / 130 W                   | ca.2,4 kWh / 270 g                   | 28 kg             |                  | •       |
| RM 8505  | 821x523x541                                      | 96 / 9 lit.                          | 102 lit.                                 | 135 W / 130 W                   | ca.2,4 kWh / 270 g                   | 28 kg             |                  | •       |
| RM 8550  | 821x523x596                                      | 111 /12 lit.                         | 118 lit.                                 | 135 W / 130 W                   | ca.2,6 kWh / 270 g                   | 30 kg             | •                |         |
| RM 8551  | 821x523x596                                      | 111 /12 lit.                         | 118 lit.                                 | 135 W / 130 W                   | ca.2,6 kWh / 270 g                   | 30 kg             |                  | •       |
| RM 8555  | 821x523x596                                      | 111 /12 lit.                         | 118 lit.                                 | 135 W / 130 W                   | ca.2,6 kWh / 270 g                   | 30 kg             |                  | •       |

Technische Änderungen vorbehalten.

\*Durchschnittsverbrauch gemessen bei einer durchschnittlichen Umgebungstemperatur von 25°C in Anlehnung an ISO-Standard.

## 4.0 Einbauanleitung

### 4.1 Einbau



#### **WARNUNG!**

**Die Installation des Gerätes darf nur von autorisiertem Fachpersonal erfolgen!**

Das Gerät und die Abgasführung müssen grundsätzlich so eingebaut werden, dass es für Servicearbeiten gut zugänglich ist, leicht aus- und eingebaut und ohne großen Aufwand aus dem Fahrzeug entnommen werden kann.

Bei der Aufstellung und dem Anschluss des Gerätes sind folgende Bestimmungen zu beachten:

- **Die elektrische Installation muss nach den nationalen und örtlichen Vorschriften erfolgen.**
- **Die Gas-Installation muss nach den nationalen und örtlichen Vorschriften erfolgen.**
- **Europäische Norm EN 1949**
- **Europäische Norm EN 60335-1, EN 60335-2-24, EN 1648-1, EN 1648-2**
- **Installieren Sie das Gerät geschützt gegen übermäßige Wärmeeinstrahlung.**

Überhöhte Wärmeeinstrahlung führt zu Leistungseinbußen und erhöhtem Energieverbrauch des Kühlschranks !



**Abweichungen von dieser Einbauanleitung ohne vorherige Freigabe von Dometic führen zum Erlöschen der Gewährleistung seitens der Dometic GmbH !**

#### 4.1.1 Seitlicher Einbau

Wird das Gerät auf der Seite der Eingangstür eingebaut, ist darauf zu achten, dass die Belüftungsgitter nicht durch die aufstehende Tür zugedeckt werden. (Abb. 5 Abstand Tür - Belüftungsgitter min. 25 mm). Ansonsten entsteht eine eingeschränkte Belüftung, die zu Kühlleistungsverlusten führt. Die Türseite des Fahrzeugs wird oft mit einem Vorzelt versehen. Dadurch wird die Ableitung von Verbrennungsgasen und Wärme durch die Lüftungsgitter erschwert (Kühlleistungsverlust entsteht)!

(Abb.5) Die Lüftungsgitter sind abgedeckt. Der Abstand zwischen der Tür und den Lüftungsgittern muss min. 25 mm betragen!

Bei Abständen Tür/Gitter zwischen 25 mm und 45 mm empfehlen wir den Einbau des **Dometic Lüfterkits (Artikel-Nr. 241 2985 - 00/0)**, um eine optimale Kühlleistung bei hohen Umgebungstemperaturen zu erreichen.

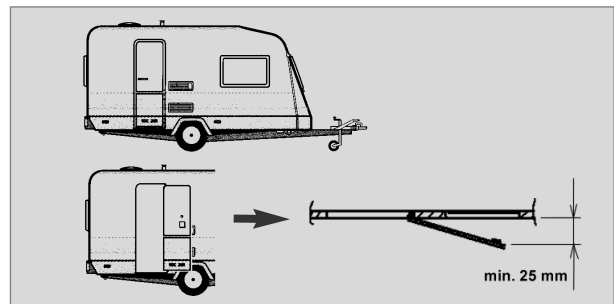


Abb. 5

(Abb. 6) Die Lüftungsgitter bieten auch bei geöffneter Tür einen ungehinderten Austritt der Aggregatwärme und der Abgase.

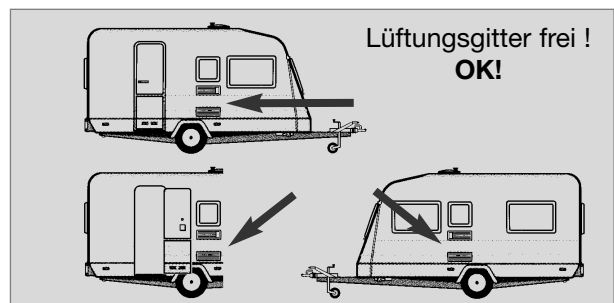


Abb. 6

#### 4.1.2 Seitlicher Einbau mit Boden-Dach-Ventilation

Eine weitere Möglichkeit ist, die Ventilation des Kühlschranks über eine Belüftungsöffnung im Boden und eine Entlüftungseinrichtung auf dem Dach des Fahrzeugs herbeizuführen (siehe Abb. 7). Zwischen Oberkante Kühlschrank und Dachentlüftung muss ein Kamin eingerichtet sein, der die Warmluft und ggf. die Abgase des Kühlschrankaggregates direkt zur Dachentlüftung leitet.

Die Bodenöffnung muss einen freien Querschnitt von mindestens **250 cm<sup>2</sup>** aufweisen. Die Öffnung muss mit einem Schutz, z.B. Prellblech und Netz, versehen sein, um den Eintritt von Schmutz in den Gasbrennerbereich zu verhindern. Bei dieser Belüftungsweise kann im Vergleich zur seitlichen Belüftung mehr Schmutz in den rückwärtigen Bereich des Kühlschranks eindringen, sodass eine regelmäßige Wartung des Gasbrenners, mind. einmal im Jahr, vorzusehen ist.

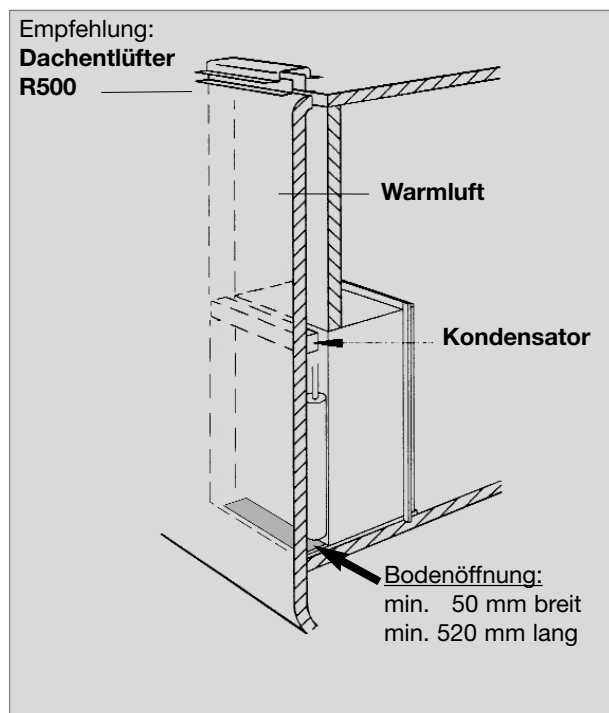


Abb. 7



**Bei dieser Einbauvariante ist die regelmäßige Wartung der Gasbrennereinheit nur nach Ausbau des Gerätes möglich. Der Kühlschrank muss zwingend in der Weise installiert sein, dass ein leichter Ausbau gewährleistet ist.**

**Wir empfehlen daher, eine Wartungsöffnung (Serviceklappe) an der Außenseite vorzusehen.**

#### 4.1.3 Heckeinbau

Der Heckeinbau führt oftmals zu einer ungünstigen Einbausituation, da die optimale Be- und Entlüftung nicht immer gewährleistet ist (z.B. wird das untere Lüftungsgitter durch den Stoßfänger oder die Rückleuchten des Fahrzeuges verdeckt!) (Abb. 8). Die maximale Kühlleistung des Aggregates ist effektiv nicht verfügbar.



Abb. 8



Abb. 9

Eine ungünstige Variante des Heckeinbaus ist die seitliche Anbringung der Be- und Entlüftungsgitter (Abb. 10). Die Luft-Wärme-Umwälzung ist sehr eingeschränkt, wodurch die Wärmetauscher (Kondensator, Absorber) nicht mehr ausreichend gekühlt werden. Auch die Variante mit einem zusätzlich im Boden montierten Belüftungsgitter weist hier eine schlechte Luftstromführung auf.

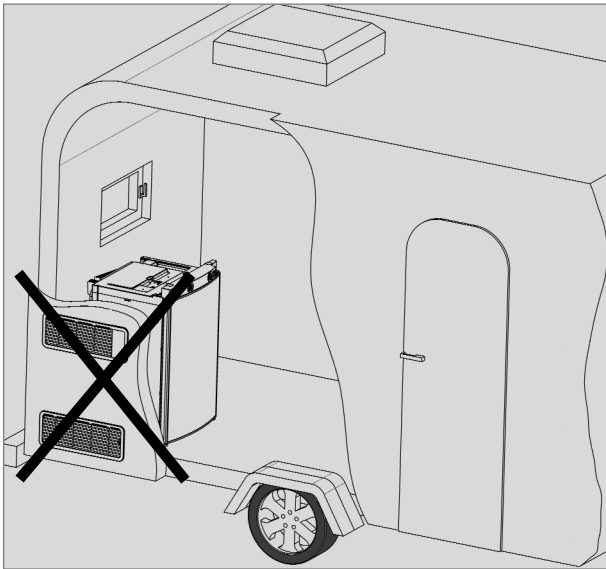


Abb. 10

**VORSICHT!**

Die maximale Kühlleistung ist nicht verfügbar! Wenden Sie diese Einbaumöglichkeit nicht an, da bei dieser Einbausituation die Be- und Entlüftung wie unter Punkt 4.2 beschrieben nicht gewährleistet ist!

**4.1.4 Zugdichter Einbau**

Kühlgeräte in Wohnwagen, Reisemobilen oder sonstigen Fahrzeugen müssen zugdicht eingebaut sein (EN 1949). Das bedeutet, dass die Verbrennungsluft für den Gasbrenner nicht aus dem Wohnraum entnommen wird und die Abgase am direkten Eintritt in den Wohnraum gehindert werden.

Es muss eine geeignete Abdichtung zwischen dem rückseitigen Bereich des Kühlschranks und dem Fahrzeuginnenraum vorgesehen werden.

**Dometic** empfiehlt dringend, dies mittels einer flexiblen Dichtung auszuführen, um einen späteren Aus- und Einbau des Gerätes zu Wartungszwecken zu vereinfachen.



**WARNUNG!**

In keinem Fall soll der zugdichte Einbau des Kühlschranks mit dauerhaftenden Dichtungsmassen oder Verschäumung (z.B. Montageschaum) o. ä. erfolgen! Verwenden Sie KEINE leicht entflammaren Materialien (besonders Silikon-Dichtungsmasse oder ähnliches) zur Abdichtung, es besteht Brandgefahr! Bei deren Verwendung erlischt die Produkthaftung und Gewährleistung des Geräteherstellers.

**Vorschlag 1**

Die Lippendichtungen (1) werden in der Einbaunische unten und jeweils seitlich angebracht (Abb. 11-13). Ein Wärmeableitblech (2) wird in der Einbaunische oberhalb des Kühlschranks befestigt (**NICHT am Kühlschrank befestigen**).

Bringen Sie das Ableitblech so an, dass die erwärmte Luft durch das obere Lüftungsgitter ins Freie entweicht und kein Wärmestau entstehen kann.

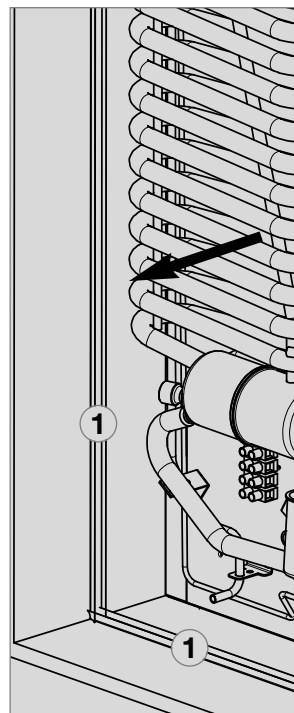


Abb. 11

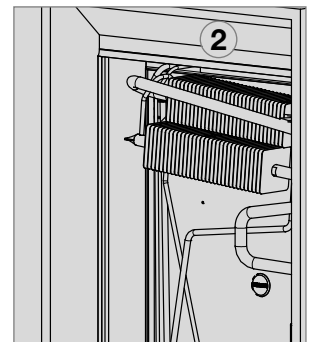


Abb. 12

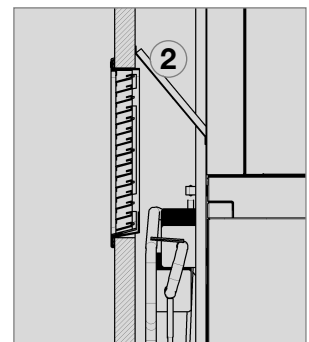


Abb. 13

Der Kühlschrank wird später von vorne in die Einbaunische eingeschoben. Achten Sie darauf, dass die Dichtungen gleichmäßig am Gehäuse anliegen.

Der Ausbau des Kühlschranks zur Wartung und Reparatur ist so leicht möglich.

### Vorschlag 2

Befestigen Sie die Dichtlippen an einer rückseitigen Anschlagleiste (1), z.B. durch Kleben.

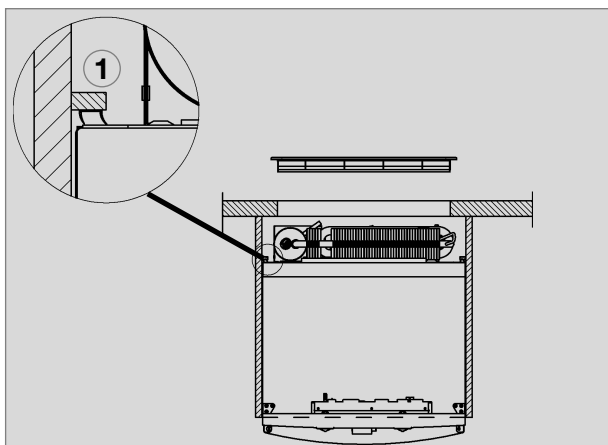


Abb. 14

Der Raum, der sich zwischen Fahrzeugauslenwand und Kühlschrank befindet, ist gegenüber dem Wohnbereich abgedichtet. Es können keine Abgase in den Wohnbereich eindringen. Die Abgase entweichen durch das obere Gitter der Be- und Entlüftung ins Freie. Es ist beim zugdichten Einbau nicht erforderlich, eine spezielle Abgasführung einzusetzen.

Bei dieser Einbauweise kann oben wie unten das gleiche Lüftungsgitter **LS200** ohne Abgasführung eingesetzt werden.

Sollte dennoch ein Abgaskamin gewünscht werden, bauen Sie in die obere Belüftungsöffnung das Belüftungssystem **LS100** mit Abgasführung ein (Einbau Abgaskamin siehe "4.4").



**Abweichungen bedürfen der Zustimmung des Herstellers !**

## 4.2 Be- und Entlüftung des Kühlschranks

Der korrekte Einbau des Gerätes ist für die Funktion wichtig, da sich auf der Rückseite des Gerätes, physikalisch bedingt, Wärme entwickelt, die ins Freie abgeleitet werden muss.



**Bei hohen Umgebungstemperaturen ist die volle Leistung des Kühlaggregates nur durch eine ausreichende Be- und Entlüftung gewährleistet.**

Die Belüftung des Aggregates erfolgt durch zwei Öffnungen (Belüftungsgitter) in der Fahrzeugwand. Frischluft tritt unten ein, erwärmt sich und strömt durch das obere Belüftungsgitter ab (Kamineffekt).

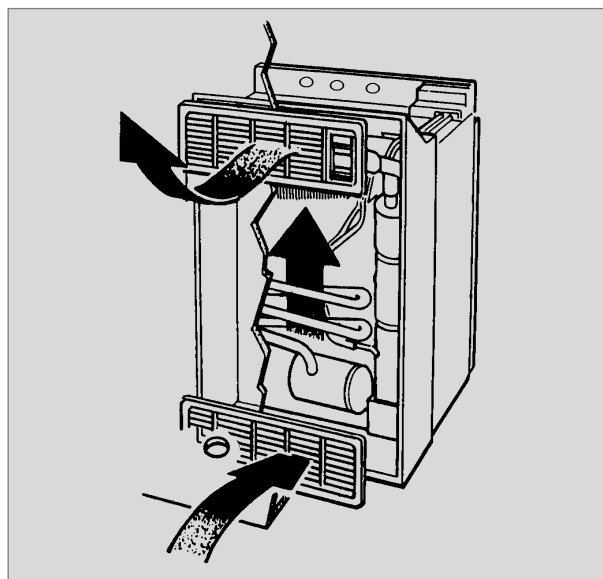


Abb. 15

**Das obere Belüftungsgitter sollte so hoch wie möglich über dem Kühlaggregat angebracht werden (1, Abb. 16) . Das untere Belüftungsgitter muss bündig mit dem Nischenboden angeordnet sein (Abb. 16,17), damit unverbranntes Gas (schwerer als Luft) auf direktem Weg ins Freie gelangt.**



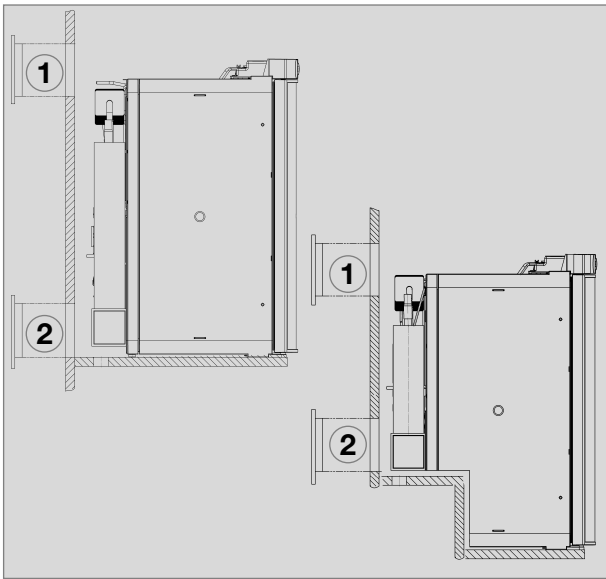


Abb. 16

- ① Lüftungsgitter LS 100 oder LS 200
- ② Lüftungsgitter LS 200

**Der Gasbrenner muss sich oberhalb der Kante (1, Abb. 17) befinden.**

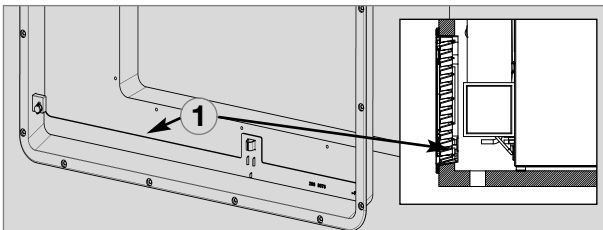


Abb. 17

**Wenn diese Anordnung nicht möglich ist, muss der Fahrzeughersteller eine Entlüftungsöffnung im Nischenboden herstellen, damit unverbranntes Gas sich nicht am Boden sammelt.**

**Die Belüftungsgitter müssen einen freien Querschnitt von mindestens 250 cm<sup>2</sup> aufweisen.** Dies wird mit dem Dometic Absorber Be- und Entlüftungssystemen LS 100 / LS 200 erreicht, die für diesen Zweck geprüft und zugelassen sind.

### 4.3 Einbau der Lüftungssysteme

Das obere Lüftungssystem **LS 100** besteht aus einem Einbaurahmen (**RS 1640**) (1), einem Lüftungsgitter inkl. Abgasführung (**AS 1620**) (2, 3) und einer Winterabdeckung (**WA120**) (4). Das untere Lüftungssystem **LS 200** besteht ebenfalls aus einem Einbaurahmen (**RS 1650**), Lüftungsgitter (**AS 1630**, jedoch ohne Abgasführung) und einer Winterabdeckung (**WA130**).

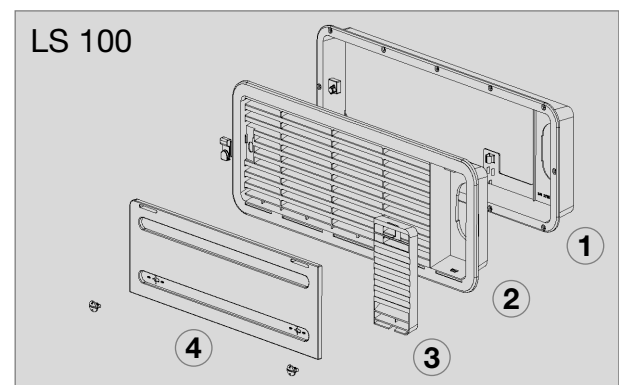


Abb. 18

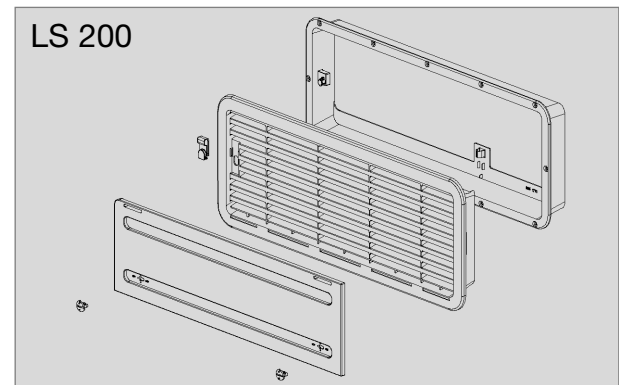


Abb. 19



Die korrekte Anbringung des unteren Lüftungsgitters erleichtert den Zugang zu Geräteanschlüssen und Funktionsteilen bei Wartungsarbeiten.

#### **VORSICHT!**

**Eine abweichende Installation vermindert die Kühlleistung und gefährdet die Gewährleistung/Produkthaftung.**



Zum Einbau der Belüftungsgitter werden zwei rechteckige Ausschnitte in der Größe von **451 mm x 156 mm** in der Fahrzeugaußenwand angebracht (Lage der Ausschnitte siehe Pkt. 4.2).

**1**

Einbaurahmen wasser- und durchlässig abdichten (entfällt beim Einbaurahmen mit integrierter Dichtung).

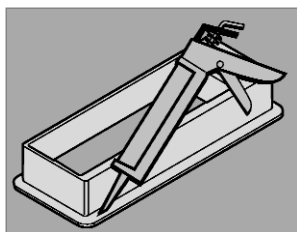


Abb. 20

**2**

Rahmen einsetzen und festschrauben.

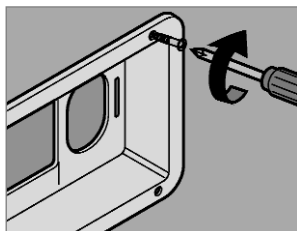


Abb. 21

**3**

Lüftungsgitter einsetzen und verriegeln.

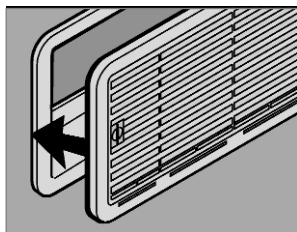


Abb. 22

**4**

Einsatz für Abgasführung einclippen (nur bei oberem Entlüftungssystem LS100).

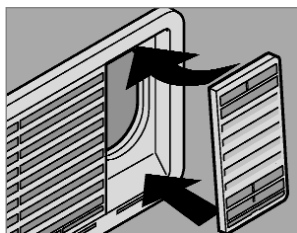


Abb. 23

**5**

Winterabdeckung einsetzen.

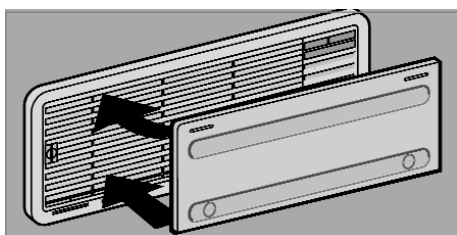


Abb. 24

## 4.4 Abgasführung und Anbringen des Abgaskamins

Die Abgasführung muss so gestaltet sein, dass die vollständige Ableitung der Verbrennungsprodukte nach außerhalb des Wohnraumes sichergestellt ist. Die Abgasleitung muss stetig steigend geführt werden, um eine Ansammlung von Kondensat zu vermeiden. Bei der in Abb. 25 gezeigten Art der Abgasführung wird die Winterabdeckung seitlich (10) (Abb. 25) angebracht.

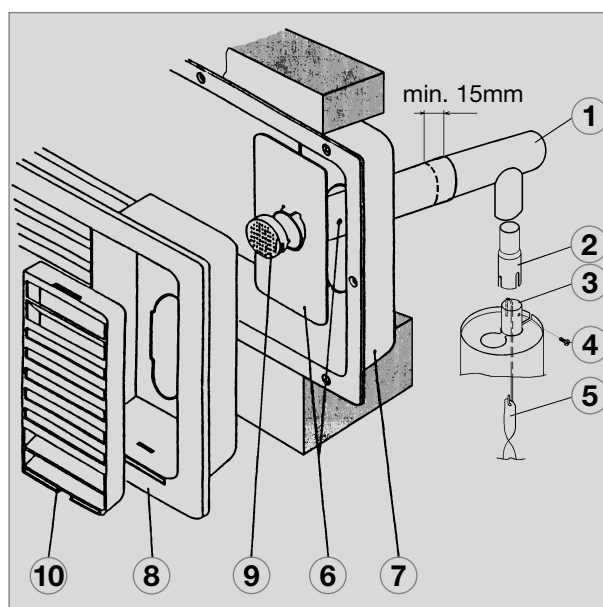


Abb. 25

### Anbringen des Standardabgaskamins

1. T-Stück (1) auf den Adapter (2), bzw. auf das Abgasrohr (3) aufstecken und mit der Schraube (4) fixieren. Dabei ist darauf zu achten, dass der Heizverteiler (5) in der dafür vorgesehenen Position sitzt.
2. Abgasrohr kpl. mit Abdeckplatte (6) durch die dafür vorgesehene Öffnung des oberen Rahmens (7) stecken und mit dem T-Stück (1) verbinden. Abgasrohr (6) eventuell auf richtige Länge kürzen.
3. Lüftungsgitter **LS 100** (8) in den Einbaurahmen (7) einsetzen und verriegeln.
4. Abdeckkappe (9) auf das Abgasrohr (6) stecken.
5. Einsatz für Abgasführung (10) in das Lüftungsgitter (8) einsetzen.

## 4.5 Einbaunische

Der Kühlschrank muss in eine Nische **zug-dicht** eingebaut werden (s.a. "4.1.4"). Die Stufe **(1)** (Abb. 26) wird nur bei Stufenschränken benötigt. Der Nischenboden muss eben sein, sodass das Gerät sich leicht in seine richtige Lage einschieben lässt. Der Boden muss genügend Festigkeit haben um das Gewicht des Gerätes tragen zu können.

### 4.5.1 Aufstellen in der Nische

Das Gerät wird in die Nische soweit eingeschoben, bis Vorderkante des Kühlschrankgehäuses und Vorderkante Nische fluchten. Zwischen Nischenrückwand und Kühlschrankaggregat sollen **15-20 mm Freiraum** sein!

**Der Kühlschrank muss waagrecht in die Nische eingebaut werden.**

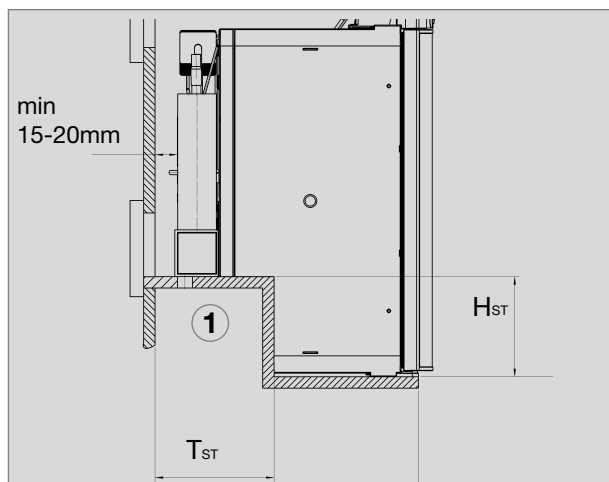


Abb. 26

| Modell    | Höhe H <sub>ST</sub> | Tiefe T <sub>ST</sub> |
|-----------|----------------------|-----------------------|
| RMS 8400  | 220 mm               | 235 mm                |
| RMS 8401  | 220 mm               | 235 mm                |
| RMS 8405  | 220 mm               | 235 mm                |
| RMS 8460  | 220 mm               | 235 mm                |
| RMS 8461  | 220 mm               | 235 mm                |
| RMS 8465  | 220 mm               | 235 mm                |
| RMS 8500  | 220 mm               | 235 mm                |
| RMS 8501  | 220 mm               | 235 mm                |
| RMS 8505  | 220 mm               | 235 mm                |
| RMS 8550  | 220 mm               | 235 mm                |
| RMS 8551  | 220 mm               | 235 mm                |
| RMS 8555  | 220 mm               | 235 mm                |
| RMSL 8550 | 220 mm               | 235 mm                |
| RMSL 8551 | 220 mm               | 235 mm                |
| RMSL 8555 | 220 mm               | 235 mm                |

## 4.6 Kühlschrankbefestigung

In den Seitenwänden des Kühlschranks sind vier Kunststoffbuchsen zur Befestigung des Kühlschranks vorgesehen. Die Seitenwände oder die zur Kühlschrankbefestigung angebrachten Leisten müssen so ausgelegt sein, dass die Schrauben auch bei erhöhter Beanspruchung (während der Fahrt) fest sitzen. Befestigungsschrauben und Abdeckkappen liegen dem Kühlschrank bei.

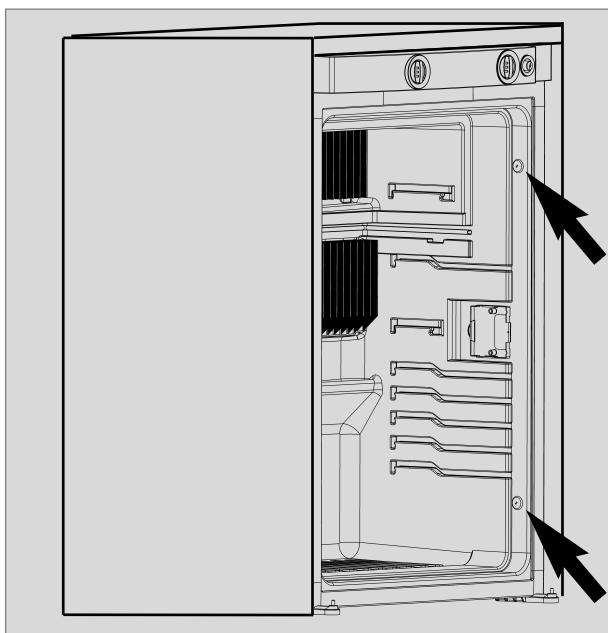


Abb. 27

### VORSICHT!

Schrauben immer durch die dafür vorgesehenen Buchsen drehen, da ansonsten eingeschäumte Bauteile wie Leitungen u. a. beschädigt werden können.

Nachdem der Kühlschrank in seine endgültige Lage gebracht ist, werden die Schrauben durch das Gehäuse des Kühlschranks in die Nischenwand geschraubt.

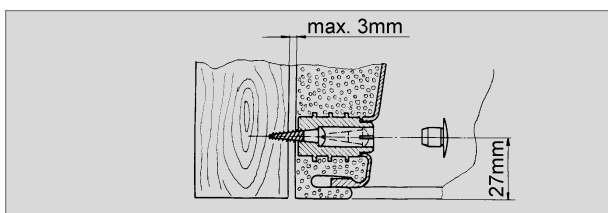


Abb. 28

## 4.7 Einsetzen der Dekorplatte

### Modell RM 8xxx, RMS 84xx

- Ziehen Sie die seitliche Leiste (1) der Tür ab (Leiste ist aufgesteckt, nicht verschraubt)
- Schieben Sie die Dekorplatte (2) in die Tür ein und stecken Sie die Leiste (1) wieder auf.

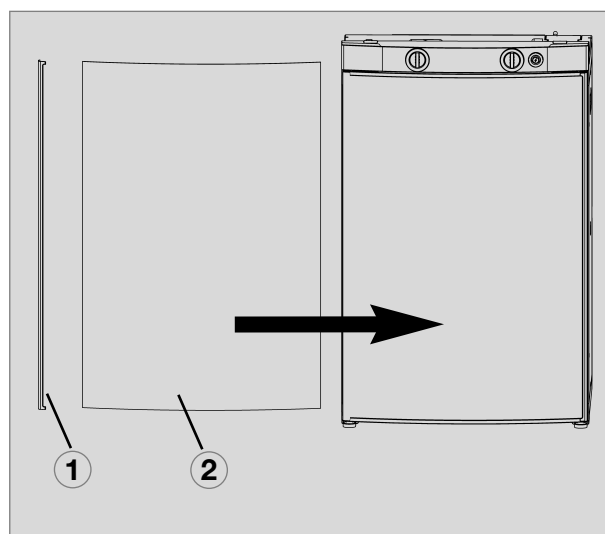


Abb. 29

### Abmessungen der Dekorplatte :

Gehäusebreite 486 mm

| Höhe           | Breite         | Dicke       |
|----------------|----------------|-------------|
| 743 +/- 0.5 mm | 472 +/- 0.5 mm | max. 2.2 mm |

Gehäusebreite 523 mm

| Höhe           | Breite           | Dicke       |
|----------------|------------------|-------------|
| 743 +/- 0.5 mm | 510.5 +/- 0.5 mm | max. 2.2 mm |

Modell RM 8xxx, RMS 84xx

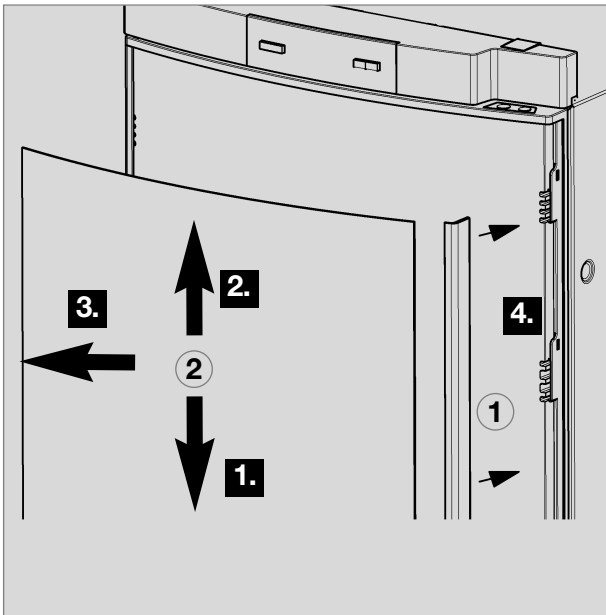


Abb. 30

**VORSICHT!**

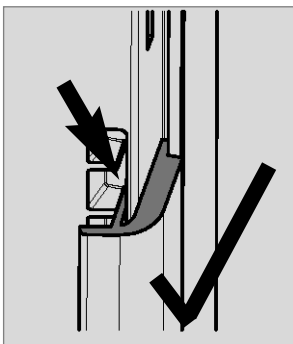


Abb. 31

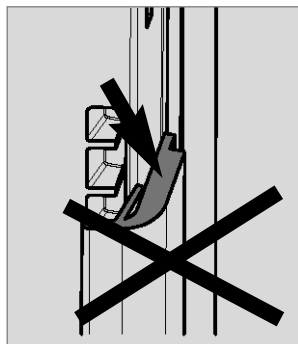


Abb. 32

Modell RMx(L) 8xxx, rahmenlose Dekorplatte

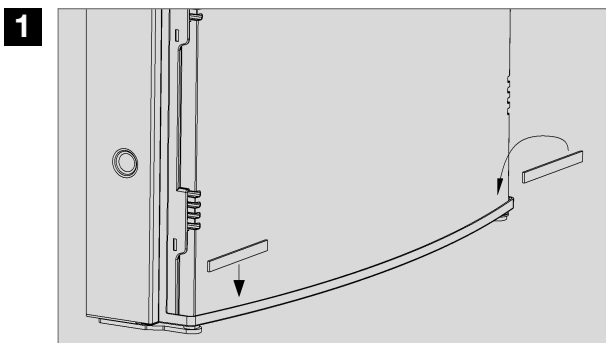


Abb. 33

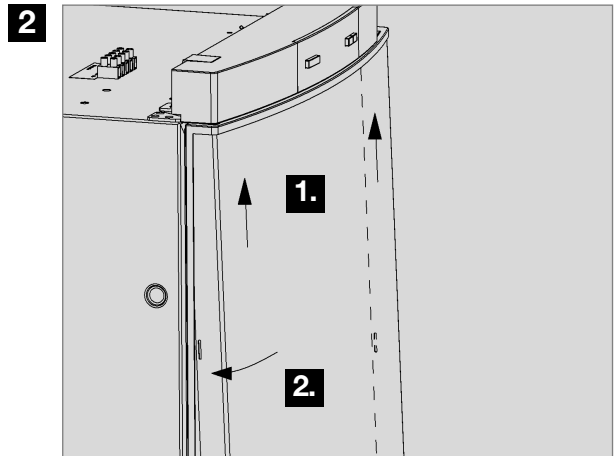


Abb. 34

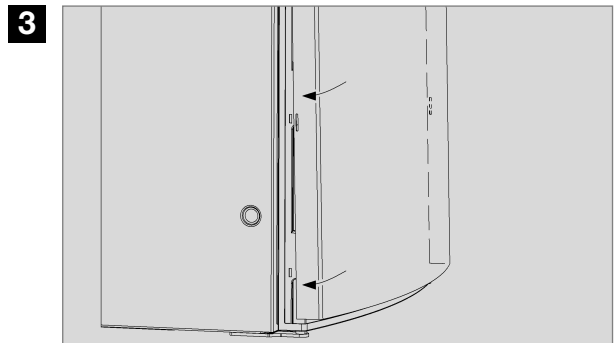


Abb. 35

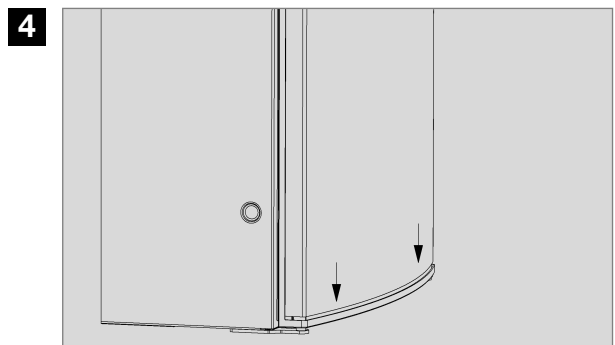


Abb. 36

Abmessungen der Dekorplatte RML 8xxx:

**Gehäusebreite** 525 mm

**Höhe**                      **Breite**                      **Dicke**

1169,5 +/-1 mm    507,5 +/-1 mm    max. 1.7 mm

## 4.8 Gasinstallation



### WARNUNG!

Der Gasanschluss darf nur von einer autorisierten Fachkraft\* ausgeführt werden.

*\* Autorisierte Fachkräfte sind anerkannte Sachkundige, die aufgrund ihrer Ausbildung und Kenntnisse die Gewähr dafür bieten, dass die Installation und die Dichtheitsprüfung ordnungsgemäß durchgeführt wird.*

- Beachten Sie die in Punkt 4.1 aufgeführten Bestimmungen !
- Dieser Kühlschrank ist für eine Installation in eine Flüssiggasanlage nach EN1949 vorgesehen und muss ausschließlich mit Flüssiggas (Propan, Butan) betrieben werden (kein Erdgas, Stadtgas) .
- Ein fest eingestellter Druckregler nach EN 12864 ist an dem Flüssiggasbehälter anzuschliessen.
- Der Druckregler muss mit dem auf dem Typenschild des Gerätes angegebenen Betriebsdruck übereinstimmen. Der Betriebsdruck entspricht dem Normdruck des Bestimmungslandes (EN 1949, EN 732).
- Für ein Fahrzeug ist nur ein einheitlicher Anschlussdruck zulässig! Ein Hinweisschild mit dem dauerhaften, gut lesbaren Hinweis auf den Betriebsdruck ist am Aufstellungsort der Gasflasche gut sichtbar anzubringen.
- Der Gasanschluss zum Gerät muss mit Rohranschlussleitungen fest und spannungsfrei installiert und mit dem Fahrzeug fest verbunden sein (Schlauchanschluss ist unzulässig) ( EN 1949 ).
- Der Gasanschluss am Gerät erfolgt mittels einer Schneidring- (Ermeto-) Verschraubung L8, DIN 2353-ST nach EN 1949 (siehe Abb. 37,38).
- Nach fachgerechter Installation ist eine Dichtheitsprüfung und eine Flammprobe

gemäß EN 1949 von einer autorisierten Fachkraft\* durchzuführen. Über die Prüfung ist eine Bescheinigung auszustellen.

- Der Kühlschrank muss durch eine Absperrereinrichtung in der Zuführungsleitung absperrbar sein. Die Absperrereinrichtung muss für den Benutzer leicht zugänglich angebracht werden.

### Anschlussdruck und Gaskategorien

Die Kühlschränke werden mit den nachfolgend angegebenen Gasen und Einlassdrücken betrieben. Die zwischen Gasflasche und Kühlschrank einzusetzenden Druckminderer müssen den in der nachfolgenden Tabelle angegebenen Kategorien entsprechen.

| Kategorie      | Druck in mbar | GAS    |
|----------------|---------------|--------|
| I3B / P(30)    | 30            | Butan  |
|                | 30            | Propan |
| I3+ (28-30/37) | 28-30         | Butan  |
|                | 37            | Propan |



Dometic Kühlschränke dieser Serie sind für den Anschlussdruck **30 mbar** ausgerüstet. Verwenden Sie bei einem Anschluss an eine **50 mbar-Anlage** den **Truma Vordruckregler VDR 50/30**.



Bei der Verwendung von **Autogas** ist zu beachten, dass aufgrund der Art der Verbrennung des Gases der Brenner häufiger gereinigt werden muss ( 2-3 Mal im Jahr empfohlen).

**Gasanschluss Modelle RM(S)(L) 8xx0**

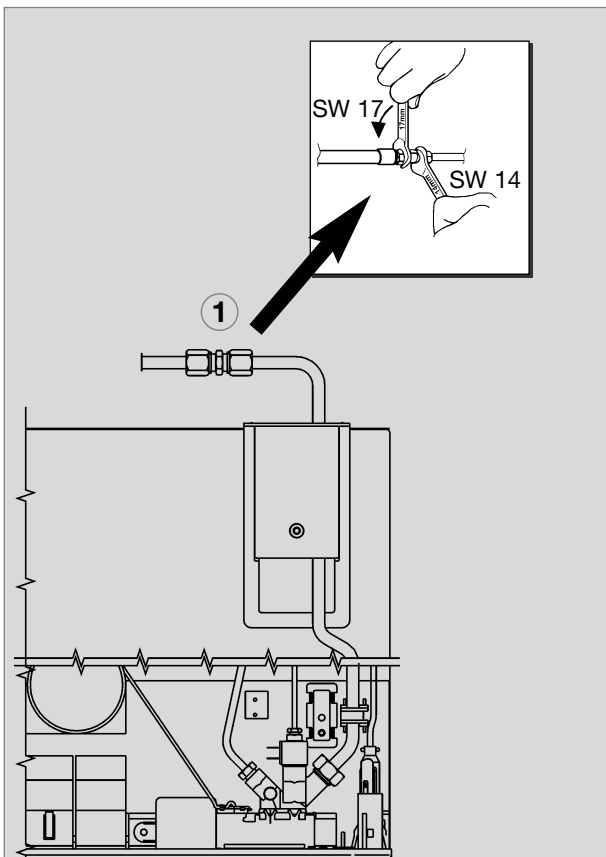


Abb. 37

- 1 Schneidring- (Ermeto-) Verschraubung L8, DIN 2353-ST (EN ISO 8434)

**Gasanschluss Modelle RM(S)(L) 8xx1, RM(S)(L) 8xx5**

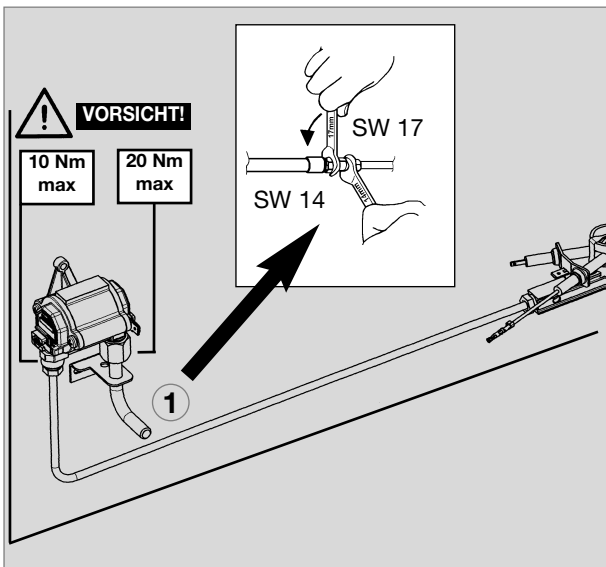


Abb. 38

## 4.9 Elektrische Installation



### WARNUNG!

Die elektrische Installation darf nur von einer autorisierten Fachkraft\* ausgeführt werden.

\* Autorisierte Fachkräfte sind anerkannte Sachkundige, die aufgrund ihrer Ausbildung und Kenntnisse die Gewähr dafür bieten, dass die Installation ordnungsgemäß durchgeführt wird.

- Die elektrische Installation muss nach den nationalen Ländervorschriften erfolgen.
- Die Anschlusskabel müssen so verlegt sein, dass sie mit heißen Teilen des Aggregates / Brenners oder mit scharfen Kanten nicht in Berührung kommen.
- Veränderungen an der internen elektrischen Installation oder der Anschluss anderer elektrischer Komponenten (z. B. fremder Zusatzlüfter) an der internen Verkabelung des Gerätes führen zum Erlöschen der e1/CE - Zulassung sowie jeglicher Ansprüche aus Gewährleistung und Produkthaftung !

### 4.9.1 Netzanschluss

- Die Stromversorgung muss an eine vorschrittmäßig geerdete Steckdose oder an einen geerdeten Festanschluss erfolgen. Wird die Netzanschlussleitung mit Stecker verwendet, muss der Stecker frei zugänglich sein.

Wenn die Anschlussleitung beschädigt wird, muss sie durch den Kundendienst von Dometic oder durch ebenso qualifiziertes Personal ersetzt werden, um Gefährdungen zu vermeiden.

Wir empfehlen, die Zuleitung über eine bordseitige Absicherung zu führen.

### 4.9.2 Batterieanschluss

Das bordseitige 12V-Anschlusskabel wird an eine Klemmleiste (RMx 8xx0) oder an Steckkontakten (RMx 8xx1, 8xx5) am Kühlschrank polrichtig angeschlossen. Die Verkabelung für das 12V-Heizelement (s. Schaltbild Anschluss A, B) sollte mit einer direkten, möglichst kurzen Verbindung an die Batterie bzw. Lichtmaschine erfolgen.

**Bordseitig ist der 12-V-Stromkreis mit folgenden Sicherungen abzusichern:**

- RM8xxx, RMS8xxx: 15 A
- RML855x, RMSL855x: 20 A

Damit beim Abstellen des Fahrzeugmotors nicht vergessen wird, den 12V-Betrieb auch auszuschalten (die Batterie würde in wenigen Stunden entladen), ist die Stromversorgung für das 12V-Heizelement (s. Schaltbild Anschluss A/B) so auszuführen, dass sie beim Umdrehen des Zündschlüssels unterbrochen wird.

An dem Anschluss C/D (s. Schaltbild Anschluss Beleuchtung, Elektronik) muss eine 12V-Dauerversorgung anliegen, die bordseitig mit einer 2A - Sicherung abgesichert sein muss.

### VORSICHT!

Bei Installation im Caravan dürfen caravanseitig die jeweiligen Minus- und Plusleitungen der 12V-Anschlüsse A/B und C/D nicht miteinander verbunden werden ( EN 1648-1).

**Leitungsquerschnitte / Leitungslängen :**

#### Motorcaravan & Caravan (innerhalb)

|  |       |
|--|-------|
| 4 mm <sup>2</sup> (RML 8xxx = 6 mm <sup>2</sup> )  | < 6 m |
| 6 mm <sup>2</sup> (RML 8xxx = 10 mm <sup>2</sup> ) | > 6 m |

#### Caravan (außerhalb)

min 2,5 mm<sup>2</sup> (EN1648-1)

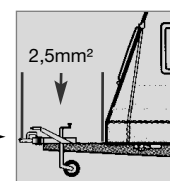
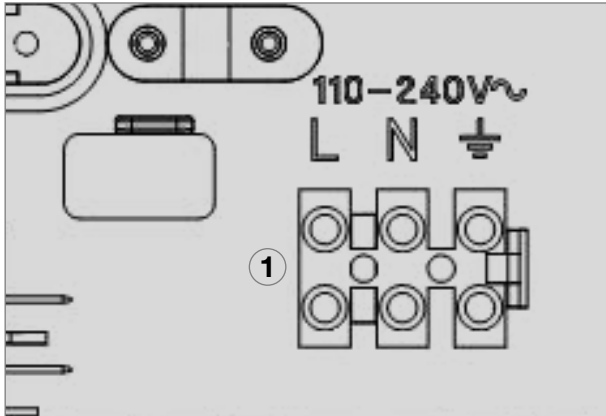


Abb. 42

### 4.9.3 Kabelanschlüsse

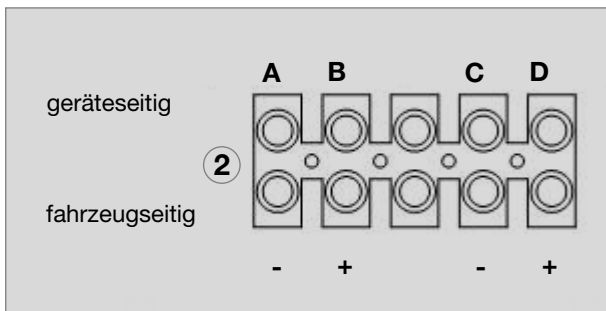
Anschlüsse bei Modellen RM(S) 8xx0 :



Netzanschluss

Abb. 39

- 1 L = braun  
N = blau  
Erdung = gelb/grün



12V-Anschluss

Abb. 40

- 2 A = Masse Heizelement DC (braun)  
B = Plus Heizelement DC (braun)  
C = Minus Beleuchtung (schwarz)  
D = Plus Beleuchtung (weiß)

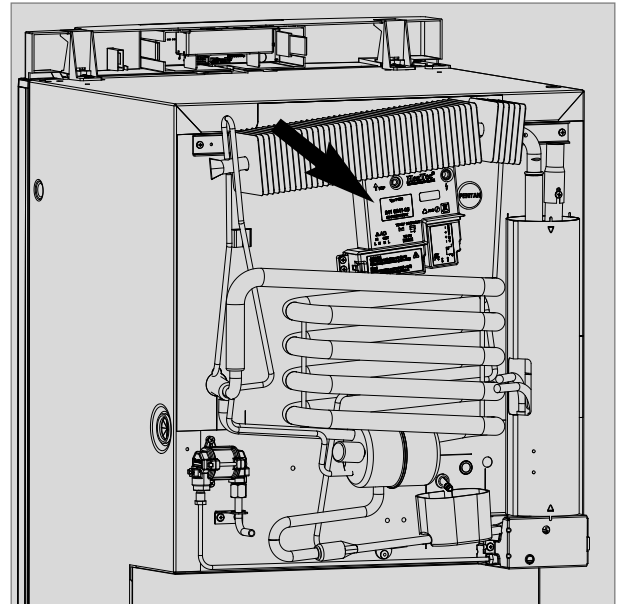
Anschlüsse bei Modellen RM(S) 8xxx (MES),  
RM(S) 8xx5 (AES) :



Zum Betrieb der Gerätetypen MES und AES ist es unerlässlich, eine 12V DC Dauerversorgung an den Klemmen C/D anzuschließen (Dauerversorgung für die Funktionselektronik).

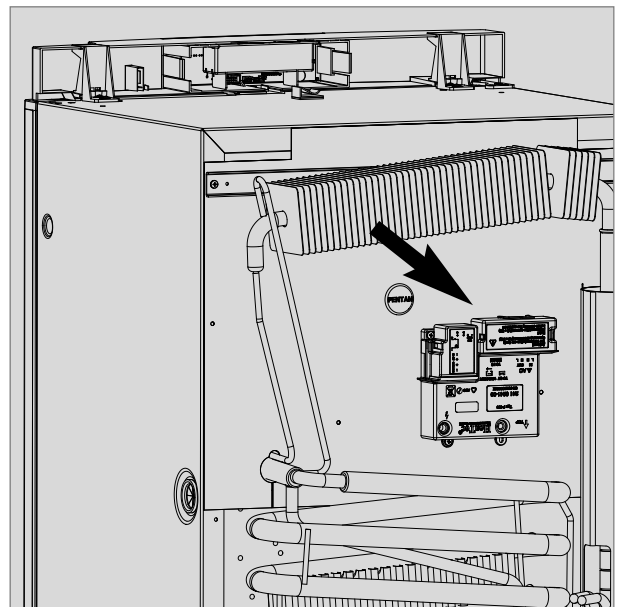
Der Anschluss der Spannungsversorgungen für Elektronik und Heizelemente erfolgt direkt an den Steckkontakten der Elektronik.

Position der Steuerelektronik :



Stufenschrankmodelle

Fig. 41



Standardmodelle

Fig. 42



## Kontakte an der Elektronik :

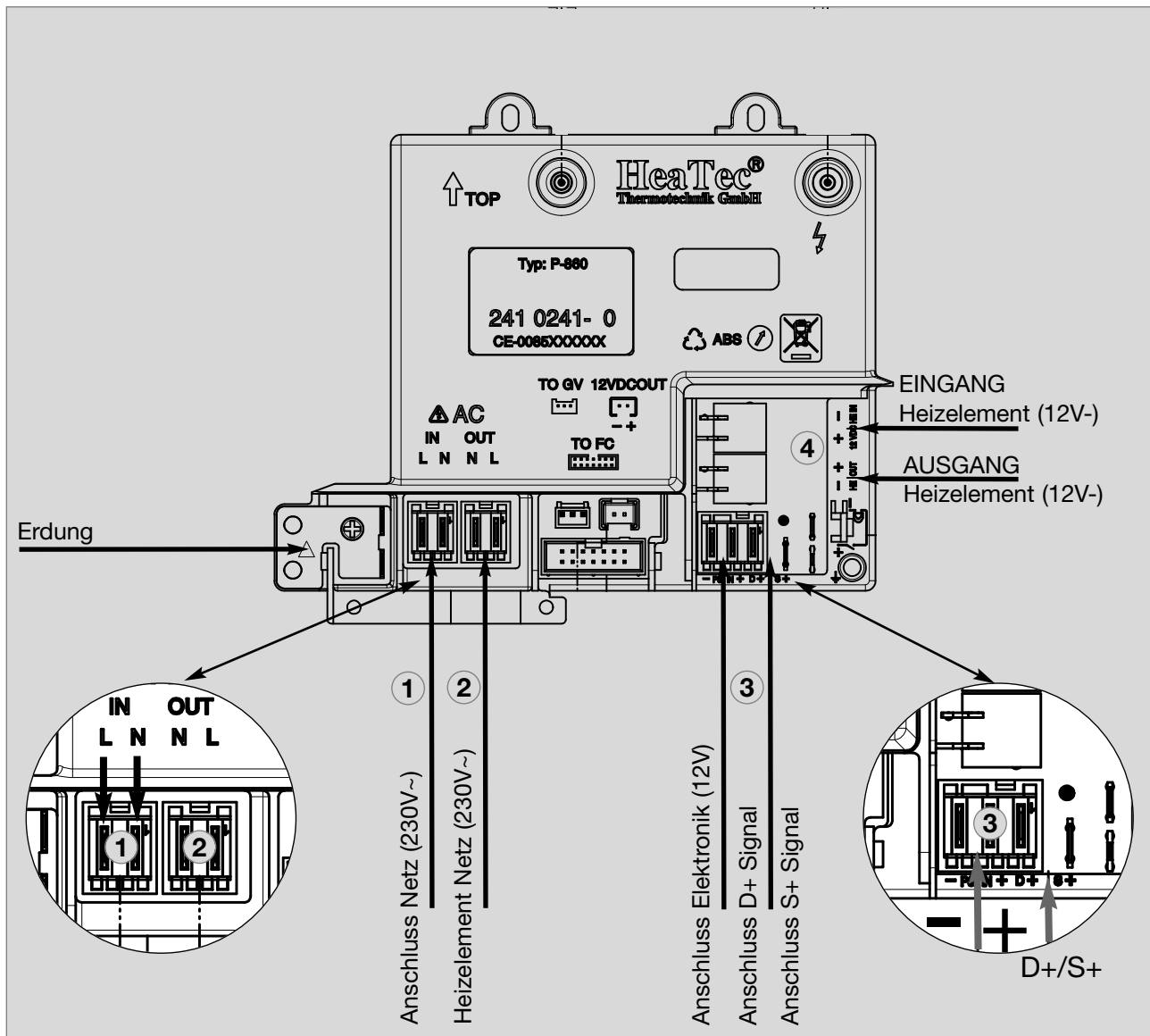


Abb. 43

## Steckkontakte (Hersteller : Stocko® )

- ① MF 9562-002-80E
- ② MF 9562-002-8 OC
- ③ 3-polig mit D+ - Kontakt : MF 9562-003-8 30 960-000-00  
2-polig : MF 9562-002-8 ON + Flachstecker 6.3 x 0.8
- ④ MKH 5132-1-0-200

### 4.9.4 D+ und Solaranschluss (nur bei AES-Modellen)

#### D+ - Anschluss:

Im **>Automatic mode<** wählt die **AES**-Elektronik automatisch die günstigste vorhandene Energieart aus. Im Automatikmodus nutzt die Elektronik das Signal **D+** (Dynamo +) der Lichtmaschine zur Erkennung von **12V DC**. Der Betrieb auf der Energieart **12V DC** wird nur angewählt, wenn der Fahrzeugmotor läuft, um ein Entladen der Batterie zu vermeiden.

#### S+ - Anschluss:

Alternativ kann die Energieart **12V DC** über eine fahrzeugeigene Solaranlage eingespeist werden. Die Solaranlage muss über einen Solarladeregler mit **AES-Ausgang** verfügen (entsprechende Laderegler sind im Fachhandel erhältlich). Der Anschluss **S+** (Solar +) muss mit der entsprechenden Klemme des Solarladereglers (**AES-Ausgang**) verbunden werden. Die Elektronik nutzt das Signal **S+** des Solarladereglers zur Erkennung von **12V DC solar**.

#### Kabelquerschnitte:

Über die D+ und S+ Verbindung fließt kein hoher Strom, deshalb muss für diese Verbindungen kein besonders großer Querschnitt eingesetzt werden (ca. 1mm<sup>2</sup> ausreichend).

### 4.9.5 Schaltschemata

#### Schaltschema RM(S) 8xx0 :

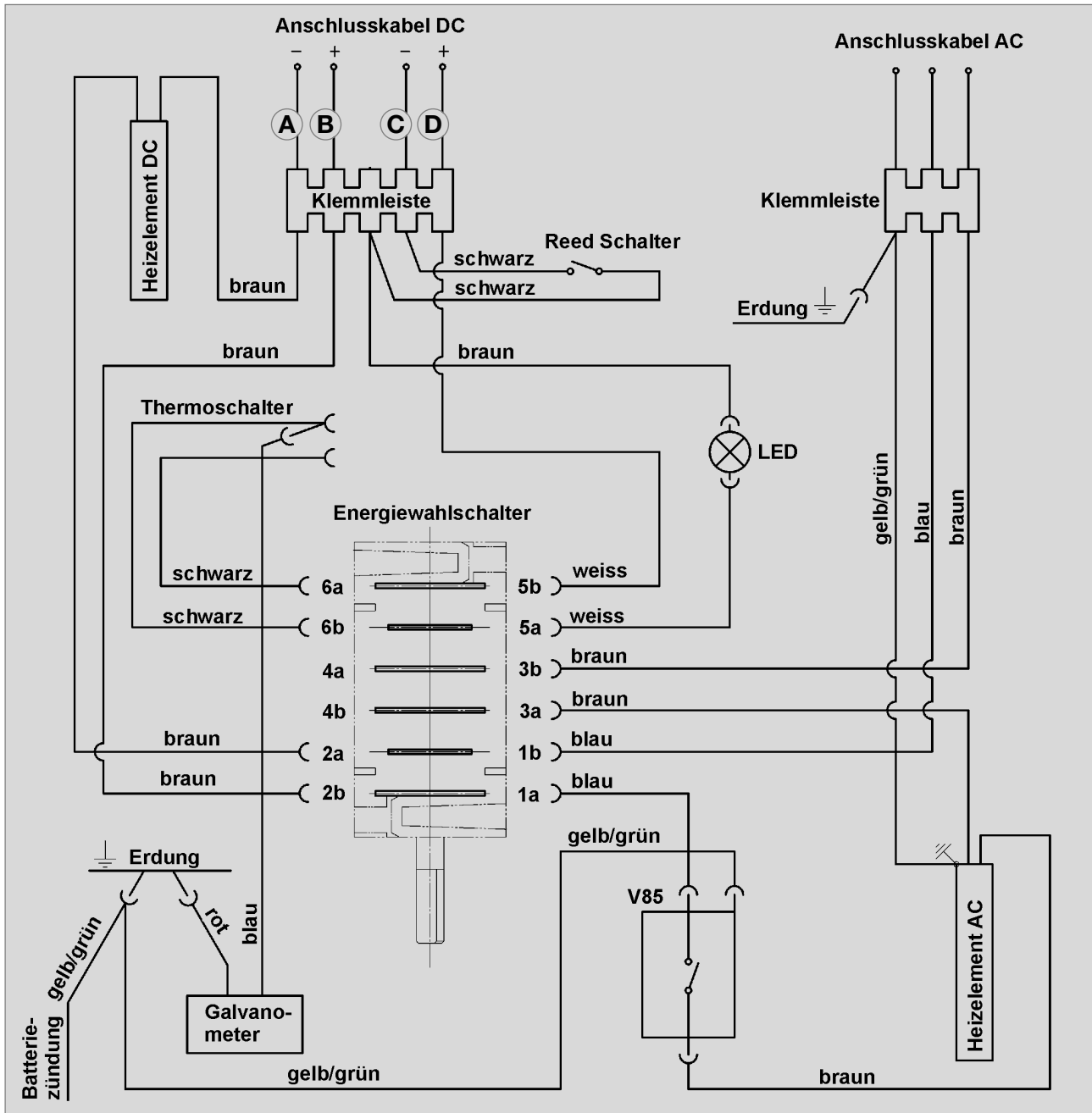


Abb. 44

Schaltschema RM(S) 8xx1, RM(S) 8xx5 :

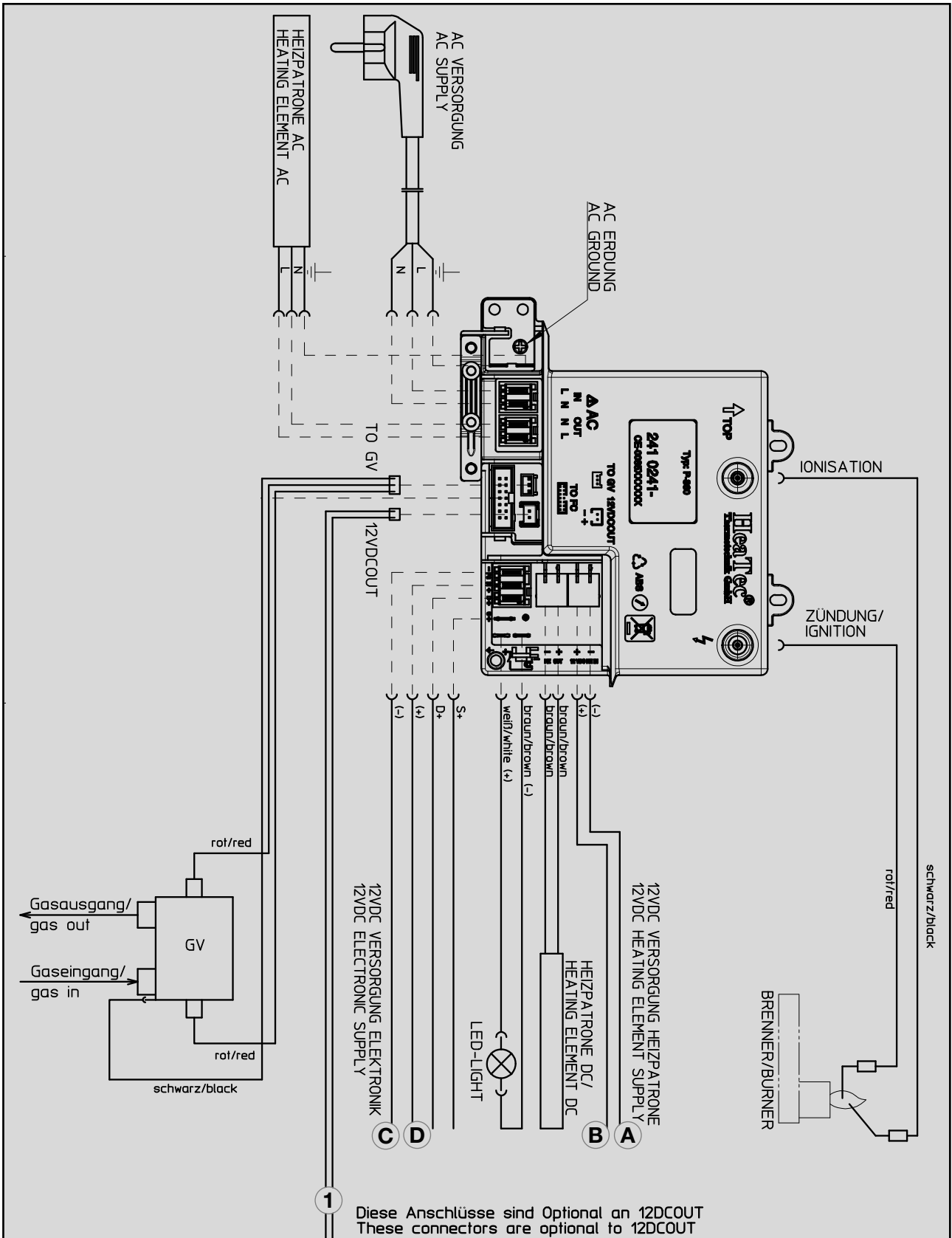


Abb. 45

## Ventilator (optional) RM(S) 8xx1, RM(S) 8xx5 :

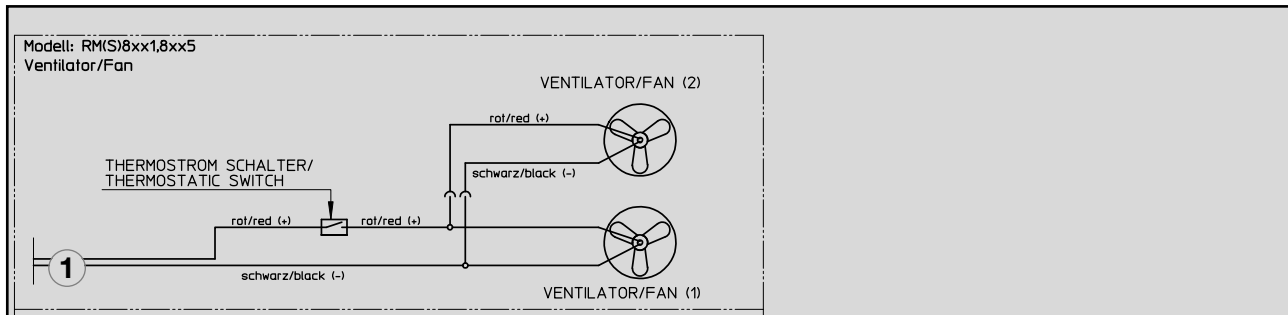


Abb. 46

- ① = 12V OUT / 12V-Versorgung für optionale Anschlüsse
- Ⓐ = Masse Heizelement 12V
- Ⓑ = Plus Heizelement 12V
- Ⓒ = Minus 12-Dauerversorgung Elektronik
- Ⓓ = Plus 12-Dauerversorgung Elektronik



**Zum Betrieb des Gerätes ist es unerlässlich, eine 12V DC Dauerversorgung an den Klemmen C/D anzuschließen. (Dauerversorgung für die Funktionselektronik)**



## Instructions d'installation

Réfrigérateur à absorption pour véhicules de loisir

RM 8400 RM 8401 RM 8405 RM 8500 RM 8501 RM 8505 RM 8550 RM 8551 RM 8555  
RMS 8400 RMS 8401 RMS 8405 RMS 8460 RMS 8461 RMS 8465 RMS 8500 RMS 8501  
RMS 8505 RMS 8550 RMS 8551 RMS 8555 RML 8550 RML 8551 RML 8555 RMSL 8500  
RMSL 8501 RMSL 8505



**N 1-1**

MBA 05/2012

**FR**

---

## Table des matières

|       |   |    |
|-------|---|----|
| 0.0   | Déballage et transport  | 3  |
| 1.0   | Généralités   | 4  |
| 1.1   | Introduction  | 4  |
| 1.2   | Indications concernant ce mode d'installation                                     | 4  |
| 1.3   | Droit de reproduction réservé   | 4  |
| 1.4   | Explication des symboles utilisés   | 4  |
| 1.5   | Garantie  | 5  |
| 1.6   | Limitation de la responsabilité   | 5  |
| 1.7   | Déclaration de conformité   | 5  |
| 2.0   | Consignes de sécurité   | 6  |
| 2.1   | Utilisation conforme  | 6  |
| 2.2   | Responsabilité de l'utilisateur   | 6  |
| 2.3   | Travaux et contrôles sur le réfrigérateur   | 6  |
| 2.4   | Utilisation du réfrigérateur au gaz   | 6  |
| 3.0   | Description du modèle   | 7  |
| 3.1   | Désignation de modèle   | 7  |
| 3.2   | Plaque signalétique du réfrigérateur  | 7  |
| 3.3   | Données techniques  | 7  |
| 4.0   | Instructions de montage   | 10 |
| 4.1   | Montage   | 10 |
| 4.1.1 | Montage latéral   | 10 |
| 4.1.2 | Montage latéral avec ventilation bas-haut   | 11 |
| 4.1.3 | Montage arrière   | 11 |
| 4.1.4 | Montage étanche à l'air   | 12 |
| 4.2   | Aération et ventilation du réfrigérateur  | 13 |
| 4.3   | Montage du système d'aération   | 14 |
| 4.4   | Conduite d'évacuation des gaz et installation de la cheminée d'évacuation des gaz | 15 |
| 4.5   | Niche d'encastrement  | 16 |
| 4.5.1 | Emplacement dans la niche   | 16 |
| 4.6   | Arrimage du réfrigérateur   | 17 |
| 4.7   | Montage du panneau décoratif  | 17 |
| 4.8   | Installation au gaz   | 19 |
| 4.9   | Installation électrique   | 21 |
| 4.9.1 | Raccordement au réseau  | 21 |
| 4.9.2 | Raccordement à la batterie  | 21 |
| 4.9.3 | Raccords de câbles  | 22 |
| 4.9.4 | Branchement D+ et branchement à l'énergie solaire                                 | 24 |
| 4.9.5 | Schémas de câblage  | 25 |

Dometic GmbH  
In der Steinwiese 16  
D-57074 Siegen  
[www.dometic.com](http://www.dometic.com)





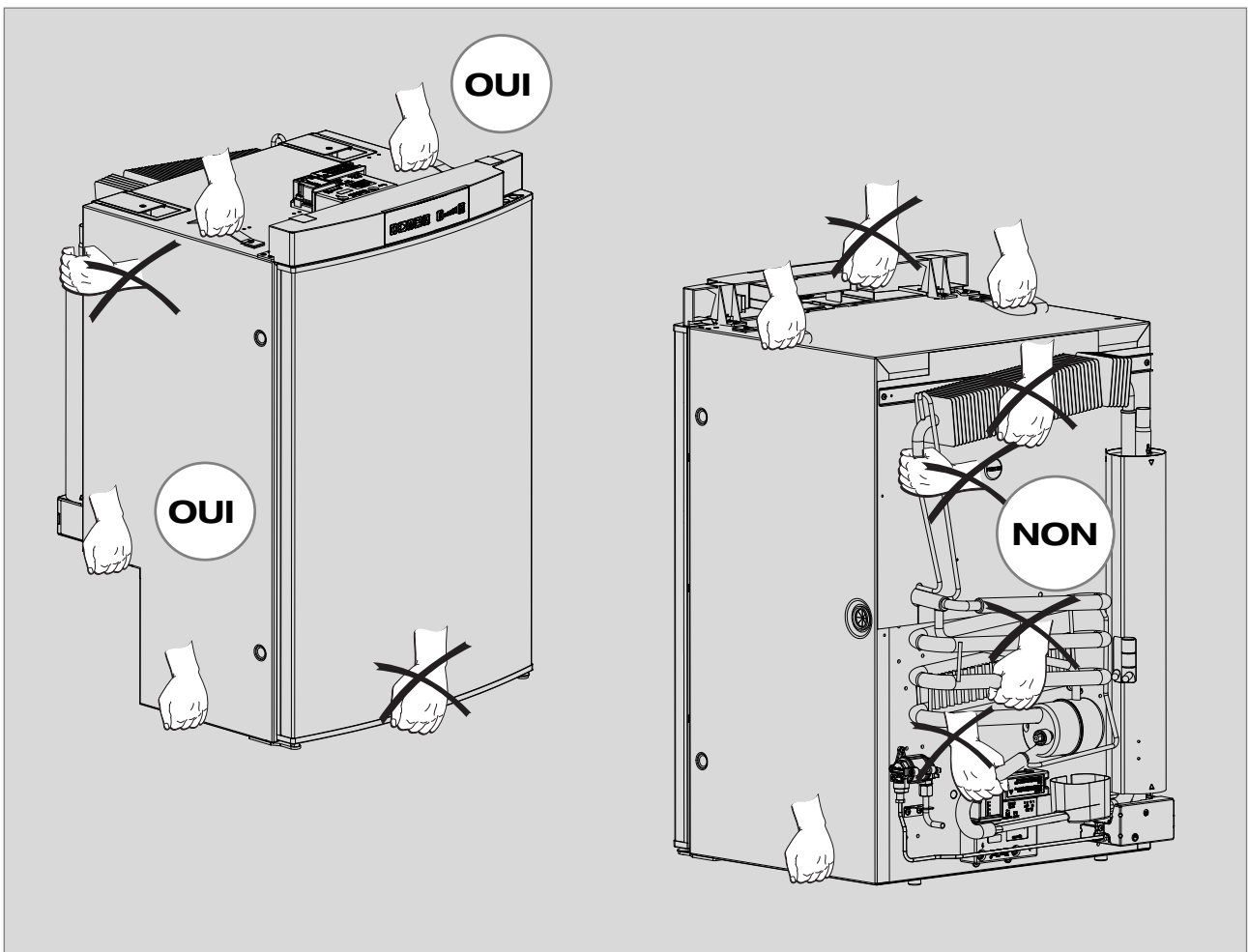
## 0.0 Déballage et transport

### Soulever/porter le réfrigérateur

#### **ATTENTION !**

Pour porter ou soulever le réfrigérateur, n'utilisez jamais de composants autres que ceux représentés sur l'illustration (en particulier le groupe frigorifique, les conduites de gaz ou le panneau de commande) !

Vous éviterez ainsi les dommages sur le réfrigérateur !



## 1.0 Généralités

### 1.1 Introduction

Lors du montage de l'appareil, il convient de tenir compte des prescriptions techniques et administratives du pays dans lequel le véhicule est immatriculé pour la première fois. Autrement, il convient de tenir compte des instructions de montage du fabricant. En Europe p. ex., les appareils à gaz, la pose des conduites et la disposition des bouteilles à gaz ainsi que la réception et le contrôle d'étanchéité doivent être conformes à la norme EN 1949 pour les installations au gaz liquéfié dans les véhicules.

### 1.2 Indications concernant ce mode d'installation

**Il convient de lire attentivement ces instructions d'installation avant d'installer le réfrigérateur.**

Cette notice vous donne les indications nécessaires pour le montage correct de votre réfrigérateur. **Tenez compte en particulier des consignes de sécurité.** Il est important de tenir compte des indications et instructions de manipulation dans votre propre intérêt et celui de votre réfrigérateur. Il est important de comprendre ce que vous lisez avant d'effectuer toute manipulation.

**Conservez soigneusement ce mode d'installation.**

### 1.3 Droit de reproduction réservé

Les indications, textes et figures contenus dans cette notice sont soumis au droit de reproduction réservé et au droit de propriété industrielle. Aucun contenu de cette notice ne peut être reproduit, copié ou utilisé de quelque manière sans l'accord par écrit de Dometic GmbH, Siegen.

### 1.4 Explication des symboles utilisés

#### Avertissements

Les avertissements sont caractérisés par des symboles. Un texte complémentaire vous indique le degré de danger.

**Veillez tenir compte de ces avertissements. Vous protégez ainsi les personnes contre les blessures et votre appareil contre les dégâts.**



**DANGER!**

**DANGER** caractérise une situation de danger immédiate qui peut causer la mort ou des blessures graves en cas de non-application des mesures de prévention.



**AVERTISSEMENT !**

**AVERTISSEMENT** caractérise une situation de danger possible qui peut causer la mort ou des blessures graves en cas de non-application des mesures de prévention.



**ATTENTION!**

**ATTENTION** caractérise une situation de danger possible qui peut causer des blessures légères ou sérieuses en cas de non-application des mesures de prévention.

**ATTENTION!**

**ATTENTION** sans le symbole de sécurité caractérise une situation de danger possible qui peut endommager l'appareil en cas de non-application des mesures de prévention.

## Information



**INFORMATION** vous donne des indications complémentaires utiles pour une manipulation correcte de votre réfrigérateur.

## Environnement



**ENVIRONNEMENT** vous donne des conseils utiles pour économiser l'énergie et pour la mise au rebut de votre appareil.

## 1.5 Garantie

Les conditions de garantie sont conformes à la directive EC 44/1999/CE et aux règlements en vigueur dans le pays concerné. Au cas où vous auriez besoin d'avoir recours à la garantie ou à un service, adressez-vous à notre service après-vente. Les pannes consécutives à une mauvaise utilisation de l'appareil ne sont pas couvertes par la garantie. Toute modification sur l'appareil ou utilisation de pièces de rechange qui ne sont pas des **pièces originales Dometic** ainsi que le non-respect des instructions de montage et d'utilisation, entraînent la suppression de la garantie et excluent la responsabilité du fabricant.



## 1.6 Limitation de la responsabilité

Toutes les instructions et indications contenues dans ce mode d'emploi ont été données en tenant compte des normes et prescription en vigueur et correspondent au niveau de la technique. **Dometic** se réserve le droit d'effectuer à tout moment des modifications sur le produit qu'il considère appropriées pour l'amélioration du produit et la sécurité.

**Dometic** n'endosse aucune responsabilité pour les dommages résultant de :

- non-observation du mode d'emploi
- utilisation non conforme
- utilisation de pièces de rechange non originales
- modifications et interventions sur l'appareil
- Effets dûs aux conditions ambiantes, tels que
  - changements de température
  - humidité

## 1.7 Déclaration de conformité

| <br><small>Mobile living made easy.</small>   |  |                 |
|--|--|-----------------|
| <b>DECLARATION OF CONFORMITY</b>   |  |                 |
| according to   |  |                 |
| LVD 2014/35/EU   |  |                 |
| EMC Directive 2004/108/EC, 2014/30/EU  |  |                 |
| Gas Appliance Directive 2009/142/EC  |  |                 |
| ECE R10, Rev. 4  |  |                 |
| Type of equipment  | Absorption Refrigerator  |                 |
| Brand Name   | DOMETIC  |                 |
| Type family  | C 40/110   |                 |
| Manufacturer's (Factory) name  | DOMETIC GmbH   |                 |
| address  | In der Steinwiese 16, D-57074 Siegen   |                 |
| telephone no   | INT+49 - 271 692 0   |                 |
| telefax no   | INT+49 - 271 692 304   |                 |
| <p>The following harmonized standards or technical specifications (designations) which comply with good engineering practice in safety matters in force within the EEA have been practiced:</p> <p>EN 60335-1;12 (IEC 60335-1; 5 ed., Am. 1, Am. 2),<br/>           EN 60335-2-24;10 (IEC 60335-2-24; 7 ed., Am. 1),<br/>           EN 61000-3-2;06, A1, A2                      EN 61000-3-3;08<br/>           EN 55014-1;06, A1, A2                      EN 55014-2;97, A1, A2<br/>           EN 732;98                      EN 60335-2-102;06<br/>           EN 30-1-1;10 A1 (Tectower-Models)<br/>           EN 30-2-1; 98 A1, A2 (Tectower-Models)<br/>           EN 50581;2010</p> |  |                 |
| The equipment conforms completely with the above stated harmonized standards or technical specifications.  |  |                 |
| By signing this document, the undersigned declares as manufacturer, or the manufacturer's authorized representative established within the EEA, that the equipment in question complies with the requirements stated above.  |  |                 |
| Date   | Signature  | Position        |
| 2017.01.09   | <br>Bernd Löher | General Manager |

## 2.0 Consignes de sécurité

### 2.1 Utilisation conforme

Ce réfrigérateur est prévu pour être installé dans des véhicules de loisir tels que les camping-cars ou les caravanes. Il répond aux dispositions de la directive européenne en matière d'appareils fonctionnant sur gaz.

Utilisez le réfrigérateur uniquement pour le refroidissement et le stockage des aliments.

#### **ATTENTION!**

L'appareil ne peut pas être exposé à la pluie.

### 2.2 Responsabilité de l'utilisateur

Les personnes utilisant le réfrigérateur doivent être familiarisées avec les consignes de sécurité et connaître les indications de ce mode d'emploi.

### 2.3 Travaux et contrôles sur le réfrigérateur



#### **AVERTISSEMENT !**

Seule une personne habilitée est autorisée à effectuer des travaux sur les installations électriques et de gaz, ainsi que sur le système d'évacuation du gaz. Les mesures non appropriées peuvent causer des dommages aux personnes et des dégâts matériels considérables.



#### **DANGER !**



**Ne contrôlez jamais les défauts d'étanchéité des pièces et conduites d'amenée du gaz à côté d'une flamme!  
Danger d'incendie ou d'explosion !**



#### **AVERTISSEMENT !**

**Ne jamais ouvrir le groupe frigorifique à absorption! Il est sous haute pression.**

**Risque de blessures !**

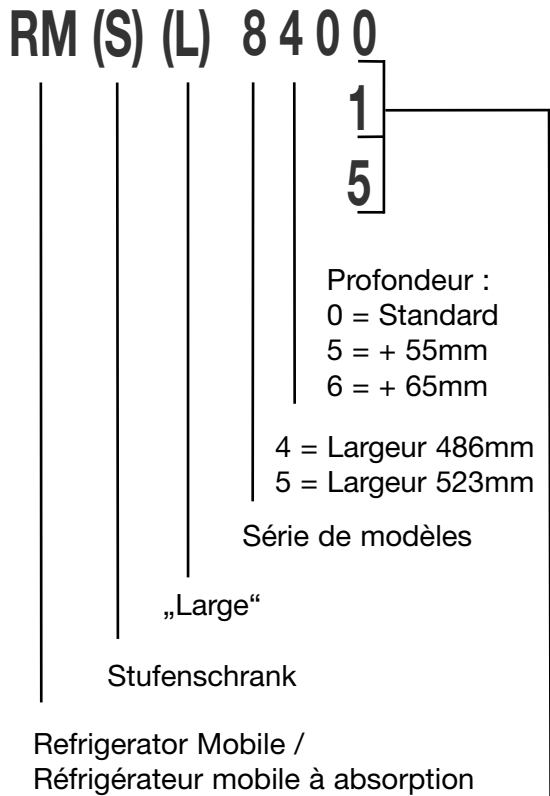
### 2.4 Utilisation au gaz liquéfié

La pression de service doit absolument correspondre aux spécifications de la plaque signalétique de l'appareil. Comparez les données relatives à la pression de service de la plaque signalétique à celles du détendeur de la bouteille de gaz.

## 3.0 Description du modèle

### 3.1 Désignation du modèle

Exemple :



**0**

Sélection manuelle de l'énergie + allumage manuel (**allumeur sur pile**)

**1**

Sélection manuelle de l'énergie, allumage automatique (**MES**)

**5**

Sélection manuelle et automatique de l'énergie, allumage automatique (**AES**)

### 3.2 Plaque signalétique du réfrigérateur

La plaque signalétique se trouve à l'intérieur du réfrigérateur. Elle contient toutes les informations importantes sur le réfrigérateur. On peut y relever la désignation de modèle, le numéro de produit et le numéro de série. Vous aurez besoin de toutes ces informations en contactant le service après-vente ou en commandant des pièces de rechange.

| DOMETIC                                   |                                |  |
|---|--------------------------------|--|
| MOD. NO. RM 8501 <b>1</b>                 | PROD. NO. 00921087908 <b>2</b> | LC 00 SER. NO. 12600008 <b>3</b>                   |
| TYPE C 40/110                             | CLIMATE CLASS SN               | SKU 9105703948                                     |
| BRUTTOINHALT<br>TOTAL CAP.<br>VOLUME BRUT | 100 l<br>106 l                 | VERDAMPFERFACH<br>FREEZER COMP.<br>VOLUME COMPT BT |
| 96 l<br>102 l                             | g l<br>0 l                     | NUTZINHALT<br>USEFUL CAP.<br>VOLUME NET            |
| ~ 230-240V / 125 W<br>12                  | LPG                            | Qn: 0,252 kW (HS)<br>m: 18,3 g/h                   |
| <b>4</b>                                  | <b>5</b>                       | 13 + 28-30/37<br>13B/P 28-30<br>13P 37             |
| CE 0063 BL3214                            | G30, G31                       | p = 30/37 mbar                                     |
| ABSORBER                                  | NH <sub>3</sub> = 115 g        | Na <sub>2</sub> CrO <sub>4</sub> = 7,0 g           |
|   |                                | p max = 35 bar                                     |
| 11 CE 0085                                | e 1 031654                     | AP Z 660   |
| MADE IN GERMANY                           |                                | 00085136887  |

Exemple

Fig. 1

- 1** Numéro du modèle
- 2** Numéro du produit
- 3** Numéro de série
- 4** Puissance de raccordement électrique
- 5** Pression de gaz



Tous les réfrigérateurs Dometic sont équipés pour être raccordés à une pression de **30 mbar**. Pour un raccordement à une **installation 50 mbar**, veuillez utiliser le **régulateur de pression d'alimentation Truma VDR 50/30**.

### 3.3 Données techniques

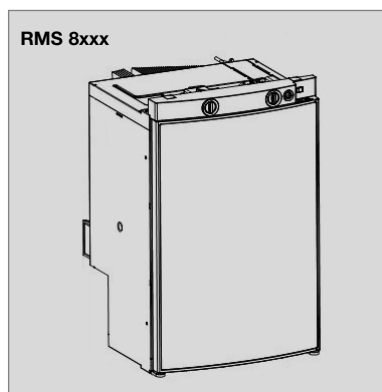


Fig. 2

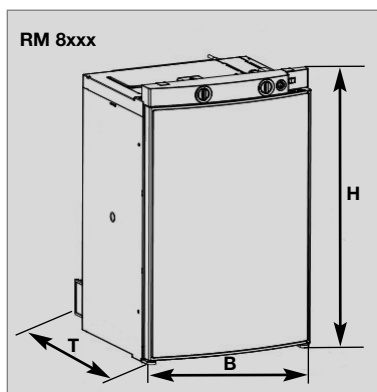


Fig. 3



Fig. 4

#### Modèles avec porte courbé

| Modèle    | Dimensions<br>H x L x P (mm)<br>Profondeur<br>porte comprise | Capacité brute<br>compartiment congélateur<br>compris |          | Puissance de<br>raccordement<br>Secteur/Batterie | Consommation *<br>d'électricité/gaz<br>par 24h | Poids<br>net | Allumage |          |
|-----------|--|---|----------|--|--|--------------|----------|----------|
|           |  |   | enlevé   |  |  |              | Piezo    | automat. |
| RMS 8400  | 821x486x568  | 80 / 8 lit.   | 85 lit.  | 125 W / 120 W                                    | ca.2,5 kWh / 270 g                             | 25 kg        | •        |          |
| RMS 8401  | 821x486x568  | 80 / 8 lit.   | 85 lit.  | 125 W / 120 W                                    | ca.2,5 kWh / 270 g                             | 25 kg        |          | •        |
| RMS 8405  | 821x486x568  | 80 / 8 lit.   | 85 lit.  | 125 W / 120 W                                    | ca.2,5 kWh / 270 g                             | 25 kg        |          | •        |
| RM 8400   | 821x486x568  | 90 / 8 lit.   | 95 lit.  | 135 W / 130 W                                    | ca.2,4 kWh / 270 g                             | 27 kg        | •        |          |
| RM 8401   | 821x486x568  | 90 / 8 lit.   | 95 lit.  | 135 W / 130 W                                    | ca.2,4 kWh / 270 g                             | 27 kg        |          | •        |
| RM 8405   | 821x486x568  | 90 / 8 lit.   | 95 lit.  | 135 W / 130 W                                    | ca.2,4 kWh / 270 g                             | 27 kg        |          | •        |
| RMS 8460  | 821x486x633  | 90 / 11 lit.  | 96 lit.  | 125 W / 120 W                                    | ca.2,5 kWh / 270 g                             | 26 kg        | •        |          |
| RMS 8461  | 821x486x633  | 90 / 11 lit.  | 96 lit.  | 125 W / 120 W                                    | ca.2,5 kWh / 270 g                             | 26 kg        |          | •        |
| RMS 8465  | 821x486x633  | 90 / 11 lit.  | 96 lit.  | 125 W / 120 W                                    | ca.2,5 kWh / 270 g                             | 26 kg        |          | •        |
| RMS 8500  | 821x523x568  | 90 / 9 lit.   | 96 lit.  | 125 W / 120 W                                    | ca.2,5 kWh / 270 g                             | 26 kg        | •        |          |
| RMS 8501  | 821x523x568  | 90 / 9 lit.   | 96 lit.  | 125 W / 120 W                                    | ca.2,5 kWh / 270 g                             | 26 kg        |          | •        |
| RMS 8505  | 821x523x568  | 90 / 9 lit.   | 96 lit.  | 125 W / 120 W                                    | ca.2,5 kWh / 270 g                             | 26 kg        |          | •        |
| RMS 8550  | 821x523x623  | 103 / 12 lit.   | 110 lit. | 125 W / 120 W                                    | ca.2,6 kWh / 270 g                             | 27 kg        | •        |          |
| RMS 8551  | 821x523x623  | 103 / 12 lit.   | 110 lit. | 125 W / 120 W                                    | ca.2,6 kWh / 270 g                             | 27 kg        |          | •        |
| RMS 8555  | 821x523x623  | 103 / 12 lit.   | 110 lit. | 125 W / 120 W                                    | ca.2,6 kWh / 270 g                             | 27 kg        |          | •        |
| RM 8500   | 821x523x568  | 100 / 9 lit.  | 106 lit. | 135 W / 130 W                                    | ca.2,4 kWh / 270 g                             | 28 kg        | •        |          |
| RM 8501   | 821x523x568  | 100 / 9 lit.  | 106 lit. | 135 W / 130 W                                    | ca.2,4 kWh / 270 g                             | 28 kg        |          | •        |
| RM 8505   | 821x523x568  | 100 / 9 lit.  | 106 lit. | 135 W / 130 W                                    | ca.2,4 kWh / 270 g                             | 28 kg        |          | •        |
| RM 8550   | 821x523x623  | 115 / 12 lit.   | 122 lit. | 135 W / 130 W                                    | ca.2,6 kWh / 270 g                             | 30 kg        | •        |          |
| RM 8551   | 821x523x623  | 115 / 12 lit.   | 122 lit. | 135 W / 130 W                                    | ca.2,6 kWh / 270 g                             | 30 kg        |          | •        |
| RM 8555   | 821x523x623  | 115 / 12 lit.   | 122 lit. | 135 W / 130 W                                    | ca.2,6 kWh / 270 g                             | 30 kg        |          | •        |
| RML 8550  | 1245x523x625   | 179 / 33 lit.   | 189 lit. | 190 W / 170 W                                    | ca.3,2 kWh / 380 g                             | 45 kg        | •        |          |
| RML 8551  | 1245x523x625   | 179 / 33 lit.   | 189 lit. | 190 W / 170 W                                    | ca.3,2 kWh / 380 g                             | 45 kg        |          | •        |
| RML 8555  | 1245x523x625   | 179 / 33 lit.   | 189 lit. | 190 W / 170 W                                    | ca.3,2 kWh / 380 g                             | 45 kg        |          | •        |
| RMSL 8500 | 1245x523x568   | 145 / 28 lit.   | 155 lit. | 190 W / 170 W                                    | ca.3,2 kWh / 380 g                             | 40 kg        | •        |          |
| RMSL 8501 | 1245x523x568   | 145 / 28 lit.   | 155 lit. | 190 W / 170 W                                    | ca.3,2 kWh / 380 g                             | 40 kg        |          | •        |
| RMSL 8505 | 1245x523x568   | 145 / 28 lit.   | 155 lit. | 190 W / 170 W                                    | ca.3,2 kWh / 380 g                             | 40 kg        |          | •        |

## Modèles avec porte normale

| Modèle   | Dimensions<br>H x L x P (mm)<br>Profondeur<br>porte comprise | Capacité brute<br>compartiment congélateur<br>compris enlevé |          | Puissance de<br>raccordement<br>Secteur/Batterie | Consommation *<br>d'électricité/gaz<br>par 24h | Poids<br>net | Allumage |          |
|----------|--|--|----------|--|--|--------------|----------|----------|
|          |  |  |          |  |  |              | Piezo    | automat. |
| RMS 8500 | 821x523x541  | 86 / 9 lit.  | 92 lit.  | 125 W / 120 W                                    | ca.2,5 kWh / 270 g                             | 26 kg        | •        |          |
| RMS 8501 | 821x523x541  | 86 / 9 lit.  | 92 lit.  | 125 W / 120 W                                    | ca.2,5 kWh / 270 g                             | 26 kg        |          | •        |
| RMS 8505 | 821x523x541  | 86 / 9 lit.  | 92 lit.  | 125 W / 120 W                                    | ca.2,5 kWh / 270 g                             | 26 kg        |          | •        |
| RMS 8550 | 821x523x596  | 99 / 12 lit.   | 106 lit. | 125 W / 120 W                                    | ca.2,6 kWh / 270 g                             | 27 kg        | •        |          |
| RMS 8551 | 821x523x596  | 99 / 12 lit.   | 106 lit. | 125 W / 120 W                                    | ca.2,6 kWh / 270 g                             | 27 kg        |          | •        |
| RMS 8555 | 821x523x569  | 99 / 12 lit.   | 106 lit. | 125 W / 120 W                                    | ca.2,6 kWh / 270 g                             | 27 kg        |          | •        |
| RM 8500  | 821x523x541  | 96 / 9 lit.  | 102 lit. | 135 W / 130 W                                    | ca.2,4 kWh / 270 g                             | 28 kg        | •        |          |
| RM 8501  | 821x523x541  | 96 / 9 lit.  | 102 lit. | 135 W / 130 W                                    | ca.2,4 kWh / 270 g                             | 28 kg        |          | •        |
| RM 8505  | 821x523x541  | 96 / 9 lit.  | 102 lit. | 135 W / 130 W                                    | ca.2,4 kWh / 270 g                             | 28 kg        |          | •        |
| RM 8550  | 821x523x596  | 111 / 12 lit.  | 118 lit. | 135 W / 130 W                                    | ca.2,6 kWh / 270 g                             | 30 kg        | •        |          |
| RM 8551  | 821x523x596  | 111 / 12 lit.  | 118 lit. | 135 W / 130 W                                    | ca.2,6 kWh / 270 g                             | 30 kg        |          | •        |
| RM 8555  | 821x523x596  | 111 / 12 lit.  | 118 lit. | 135 W / 130 W                                    | ca.2,6 kWh / 270 g                             | 30 kg        |          | •        |

Sous réserve de modifications

\* Consommation moyenne pour une température ambiante moyenne de 25°C, en conformité avec les normes ISO.

## 4.0 Instructions de montage

### 4.1 Montage



#### AVERTISSEMENT!

L'installation de l'appareil ne doit être effectuée que par une personne qualifiée et habilitée !

L'appareil et la conduite d'évacuation des gaz doivent être montés de manière à être facilement accessibles pour les travaux d'entretien, montés et démontés facilement et sortis du véhicule sans trop d'efforts.

Lors du montage et du raccordement de l'appareil, il convient de tenir compte des prescriptions correspondant au nouvel état de la technique :

- L'installation électrique doit répondre aux normes nationales et locales.
- L'installation au gaz doit répondre aux normes nationales et locales.
- Norme européenne Norm EN 1949
- Normes européennes EN 60335-1, EN 60335-2-24, EN 1648-1, EN 1648-2
- Installez l'appareil de façon à le protéger contre les rayonnements de chaleur intenses.

Les rayonnements de chaleur intenses diminuent la performance du réfrigérateur et entraînent une consommation accrue d'énergie !



Toute divergence de ces instructions de montage sans accord préalable de Dometic entraîne la suppression de la garantie de la part de Dometic GmbH !

#### 4.1.1 Montage latéral

Si l'appareil est monté du côté de la porte d'entrée, il est impératif de veiller à ce que les grilles d'aération ne soient pas recouvertes par la porte ouverte. (Fig. 5, écart min. de 25 mm entre la porte et les grilles d'aération). La ventilation est sinon restreinte, ce qui conduit à des pertes de performance de réfrigération. Un auvent est souvent monté du côté de la porte du véhicule. De ce fait, l'évacuation des gaz de combustion et de la chaleur par les grilles d'aération est plus difficile (perte de performance de réfrigération) !

Les grilles d'aération sont recouvertes. L'écart entre la porte et les grilles d'aération doit être de min. 25 mm !

Lorsque l'écart entre la porte et la grille est entre 25 mm et 45 mm, nous recommandons le montage du **kit de ventilation Dometic (réf. 241 2985 - 00/0)**, afin d'atteindre une performance de réfrigération optimale lors de températures ambiantes élevées.

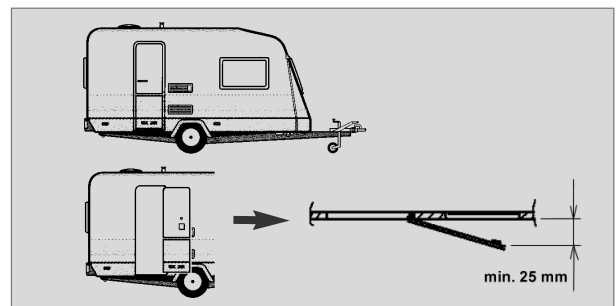


Fig. 5

Même si la porte est ouverte, la chaleur du groupe frigorifique et les gaz de combustion peuvent s'échapper librement. (Fig. 6).

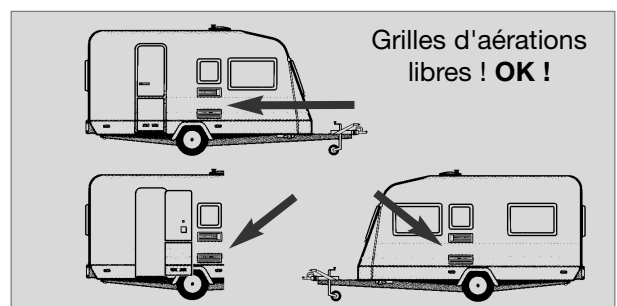


Fig. 6



#### 4.1.2 Montage latéral avec ventilation bas-haut

Une possibilité supplémentaire est d'installer la ventilation du réfrigérateur au moyen de deux équipements : une ouverture d'aération dans le fond et un dispositif d'évacuation sur le toit du véhicule (voir Fig. 7). Une cheminée doit être installée entre la bordure supérieure du réfrigérateur et l'évacuation du toit afin que l'air chaud et éventuellement les gaz de combustion du groupe frigorifique soient directement évacués par l'évacuateur de toit.

L'ouverture du fond doit présenter une section libre de **250 cm<sup>2</sup>** min. L'ouverture doit être pourvue d'une tôle de chicane et d'un filet afin d'empêcher l'entrée de salissures dans la zone du brûleur. Avec cette méthode d'aération, une quantité plus importante de salissures peut pénétrer dans la partie arrière du réfrigérateur (comparée à la méthode d'aération latérale), c'est pourquoi une maintenance régulière du brûleur, au moins une fois par an, doit être prévue.

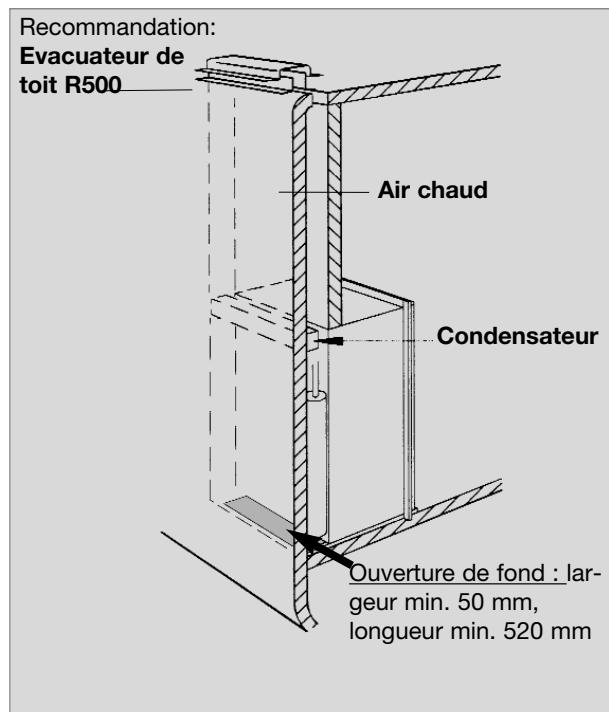


Fig. 7



**Avec cette variante de montage, la maintenance régulière de l'unité du brûleur est uniquement possible lorsque l'appareil est démonté. Le réfrigérateur doit impérativement être installé de manière à rester facilement démontable.**

**C'est pourquoi nous recommandons de prévoir une ouverture (clapet d'entretien) sur le côté extérieur.**

#### 4.1.3 Montage arrière

Le montage arrière conduit souvent à une situation d'installation défavorable, étant donné qu'une ventilation et une aération optimales ne sont pas toujours garanties (p. ex. la grille d'aération du bas est recouverte par le pare-chocs ou le feu arrière du véhicule !) (Fig. 8). La performance maximale effective de réfrigération du groupe n'est pas disponible.



Fig. 8



Fig. 9

Une autre variante défavorable de montage arrière est la pose latérale de la grille d'aération et de ventilation (Fig. 10). La circulation air-air chaud est très limitée, ce qui conduit à une réfrigération insuffisante des échangeurs de chaleur (condensateur, absorbeur). La variante avec une grille d'aération supplémentaire montée dans le fond se caractérise ici aussi par une mauvaise alimentation en flux d'air.

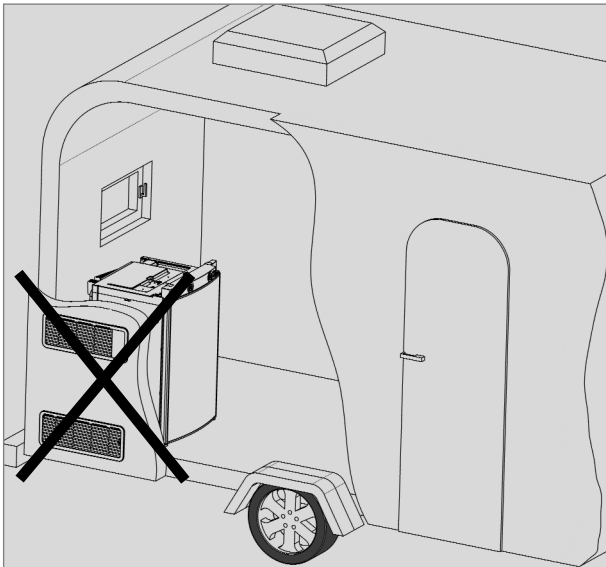


Fig. 10

## ATTENTION!

La performance de réfrigération maximum n'est pas disponible ! N'utilisez pas cette possibilité de montage, car dans ce cas, l'aération et la ventilation décrites ci-après à la section 4.2 ne sont pas garanties !

### 4.1.4 Montage étanche à l'air

Les appareils frigorifiques installés dans des caravanes, des camping-cars et autres véhicules doivent être étanches à l'air (EN 1949). Cela signifie que l'air nécessaire au brûleur pour la combustion n'est pas prélevé dans la pièce et que les gaz de combustion ne peuvent pas pénétrer directement dans la pièce.

Il faut prévoir une étanchéification appropriée entre la partie arrière du réfrigérateur et l'intérieur du véhicule.

**Dometic** recommande fortement d'effectuer l'étanchéification au moyen d'un joint flexible, afin de simplifier le démontage et remontage ultérieurs de l'appareil pour les travaux d'entretien.



## AVERTISSEMENT!

Il faut éviter à tout prix d'utiliser des masses d'étanchéité permanentes ou des mousses de montage pour le montage étanche à l'air du réfrigérateur ! N'utilisez AUCUN matériau facilement inflammable (en particulier les masses d'étanchéité au silicone ou similaires), il y a risque d'incendie ! Dans ce cas, la garantie sur le produit et du fabricant est supprimée.

### Suggestion 1

Les joints à lèvres (1) sont placés dans la niche d'encastrement, dans le bas et sur les côtés (fig. 11-13). Une tôle de dissipation de chaleur (2) est installée dans la niche d'encastrement, au-dessus du réfrigérateur (**NE PAS la fixer sur le réfrigérateur !**)

Placer la tôle de dissipation de chaleur de telle sorte que l'air chaud s'échappe par la grille d'aération supérieure.

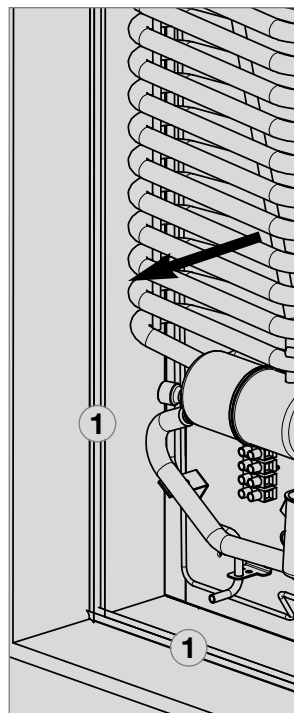


Fig. 11

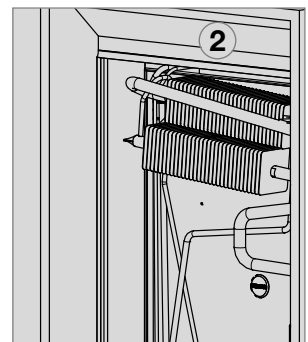


Fig. 12

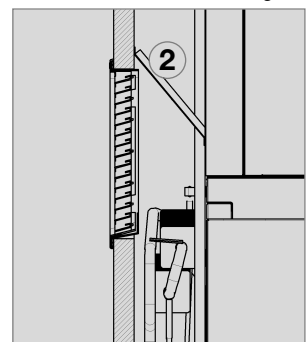


Fig. 13

Le réfrigérateur sera ensuite poussé par le devant dans la niche d'encastrement. Veillez à ce que les joints soient répartis régulièrement sur le corps.

Le démontage du réfrigérateur pour des travaux d'entretien ou de réparation est ainsi facilité.

### Suggestion 2

Fixez les lèvres d'étanchéité sur une barre de butée au dos (1), p. ex. en les collant.

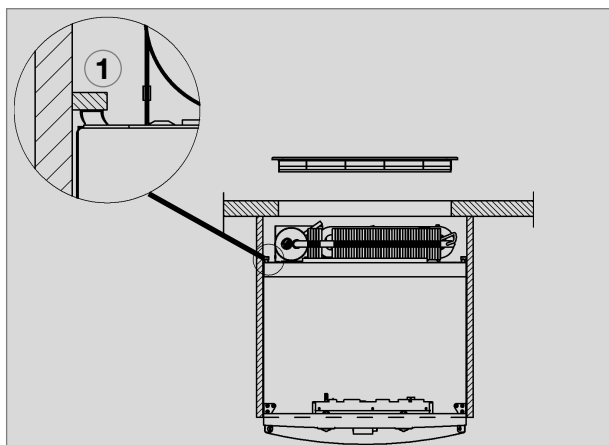


Fig. 14

L'espace situé entre la paroi extérieure du véhicule et le réfrigérateur est étanche par rapport à la pièce. Les gaz de combustion ne peuvent donc pas s'infiltrer dans la pièce. Ils s'échappent à l'air libre à travers la grille supérieure d'aération et de ventilation.

Avec cette méthode de montage, la même grille d'aération **LS 200** peut être montée en haut comme en bas, sans conduite d'évacuation des gaz. Si vous souhaitez néanmoins une cheminée d'évacuation des gaz, montez le système d'aération **LS 100** dans l'ouverture d'aération du haut (*Montage de la cheminée d'évacuation des gaz, voir "4.4"*)



**Les modifications ne peuvent être effectuées qu'avec l'accord du fabricant !**

## 4.2 Aération et ventilation du réfrigérateur

Il est important pour le fonctionnement de l'appareil qu'il soit correctement installé, car, pour des raisons physiques, de la chaleur est générée à l'arrière de l'appareil et elle doit pouvoir s'échapper.



**Dans le cas d'une température ambiante élevée, seule une aération et ventilation suffisante du groupe frigorifique permet à ce dernier de développer toute sa puissance.**

L'aération du groupe frigorifique est effectuée au moyen de deux ouvertures dans la paroi de la caravane. L'air frais pénètre par le bas et afflue réchauffé par la grille d'aération supérieure (effet de cheminée).

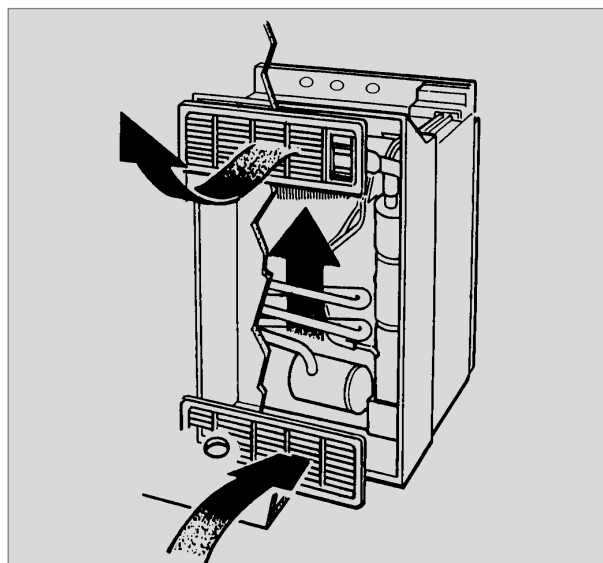


Fig. 15

**Il est recommandé d'installer la grille d'aération supérieure le plus haut possible, au-dessus du condensateur (1, Fig. 16). La grille de ventilation inférieure doit être à fleur du plancher du véhicule (Fig. 16,17), afin que le gaz non brûlé (le gaz étant plus lourd que l'air) puisse être directement acheminé à l'air libre.**



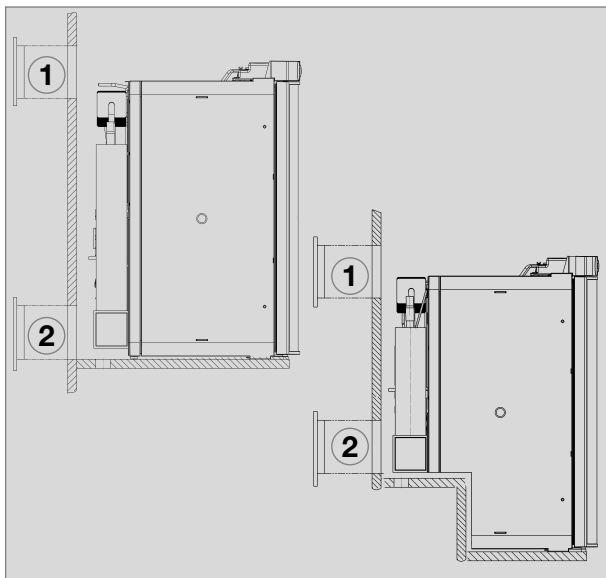


Fig. 16

- ① Grille de ventilation LS 100 ou LS 200
- ② Grille de ventilation LS 200

Le brûleur à gaz doit se trouver au-dessus du bord (1, Fig. 17) .

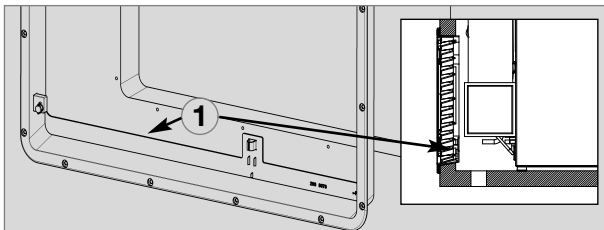


Fig. 17

Si cette disposition n'est pas possible, le fabricant du véhicule doit impérativement créer une ouverture d'aération dans le fond de la niche afin que le gaz non brûlé ne s'accumule pas au niveau du plancher.

Les grilles d'aération doivent présenter une section libre de 250 cm<sup>2</sup> minimum. Ceci est réalisé avec le système d'aération et de ventilation absorbeur Dometic LS 100 / LS 200, qui a été contrôlé et autorisé dans cet objectif.

### 4.3 Montage du système d'aération

Le système d'aération LS 100 supérieur est composé d'un cadre de montage (RS 1640) (1), d'une grille d'aération avec conduite d'évacuation des gaz (AS 1620) (2, 3) et d'une protection d'hiver (WA120) (4). Le système d'aération LS 200 inférieur est composé également d'un cadre de montage (RS 1650), d'une grille d'aération (AS 1630, mais sans conduite d'évacuation des gaz) et d'une protection d'hiver (WA130).

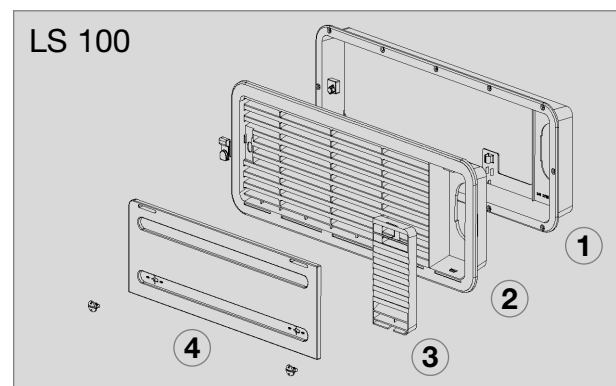


Fig. 18

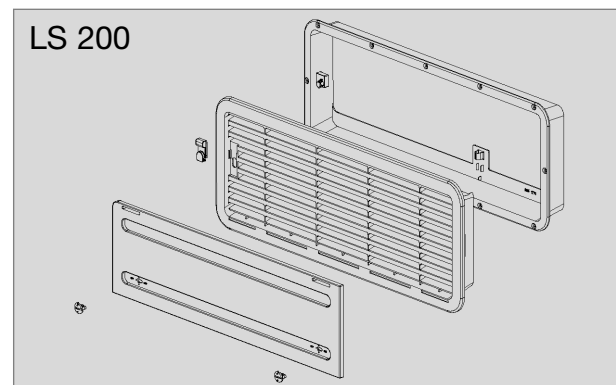


Fig. 19



La pose correcte de la grille d'aération inférieure facilite l'accès aux raccords de l'appareil et pièces fonctionnelles lors des travaux d'entretien.

#### ATTENTION!

Une installation non-conforme diminue la performance de refroidissement et met à risque les droits à la garantie.

Pour le montage de la grille d'aération, faire une découpe rectangulaire de **451 mm x 156 mm** dans la paroi extérieure du véhicule. (Voir "4.2" pour emplacement des découpes ).

**1**

Rendre étanche à l'eau le cadre de montage (n'est pas nécessaire pour les cadres de montage avec joint intégré).

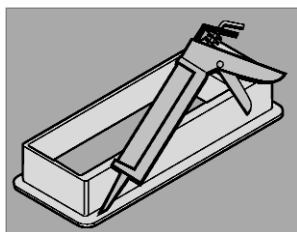


Fig. 20

**2**

Mettre le cadre en place et le visser à fond.

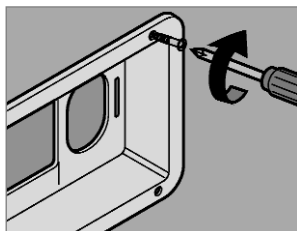


Fig. 21

**3**

Introduire la grille d'aération dans le cadre de montage et la verrouiller.

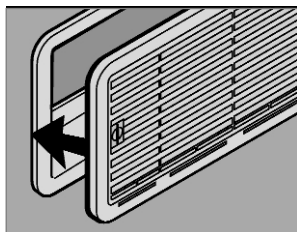


Fig. 22

**4**

Encliquer la pièce rapportée d'évacuation des gaz (seulement pour le système d'aération supérieur LS100).

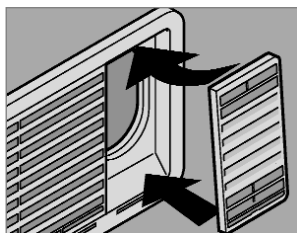


Fig. 23

**5**

Mettre la protection d'hiver en place.

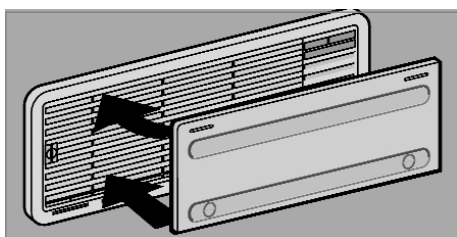


Fig. 24

#### 4.4 Conduite d'évacuation des gaz et installation de la cheminée d'évacuation des gaz

La conduite d'évacuation des gaz doit être installée de façon à assurer la dérivation complète des produits de combustion vers l'extérieur de la pièce. La conduite d'évacuation des gaz doit toujours être ascendante, afin d'éviter l'accumulation de condensation. Sur le modèle d'évacuation des gaz présenté à la fig. 25, la protection d'hiver peut être montée sur le côté (10) Fig. 25.

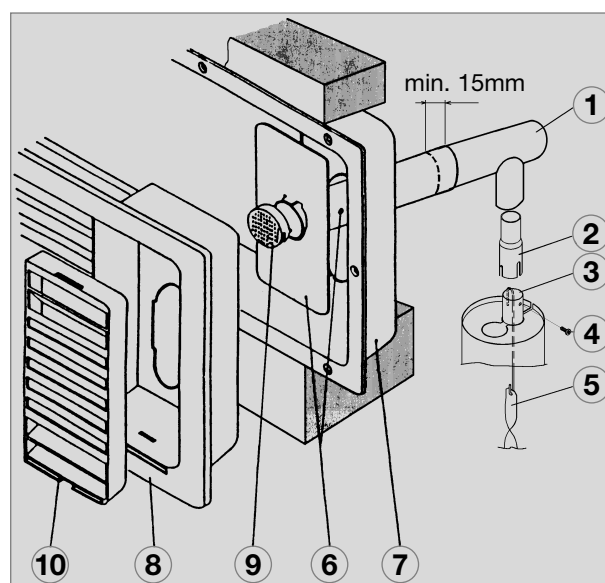


Fig. 25

##### Installation de la cheminée d'évacuation des gaz standard :

1. Placer la pièce en T (1) sur la pièce de rallonge (2) ou sur le tuyau d'évacuation des gaz (3) et fixer à l'aide de la vis (4). Il faut vérifier que le répartiteur de chaleur (5) soit dans la position prévue à cet effet.
2. Engager le tuyau d'évacuation des gaz avec la plaque de recouvrement (6) dans l'ouverture prévue du cadre supérieur (7) et relier avec la pièce en T (1). Raccourcir éventuellement le tuyau d'évacuation des gaz (6) à la bonne longueur.
3. Placer la grille d'aération **LS 100** (8) dans le cadre de montage (7) et bloquer.
4. Enfoncer le capuchon (9) sur le tuyau d'évacuation des gaz (6).
5. Loger la pièce rapportée d'évacuation des gaz (10) dans la grille d'aération (8).

## 4.5 Niche d'encastrement

Le réfrigérateur doit être installé dans une niche et être **étanche à l'air** (voir aussi 4.1.4). Les dimensions de la niche sont indiquées dans le tableau ci-dessous. Le niveau **(1)** sert uniquement pour les réfrigérateurs à passage de roues. Le fond de niche doit être nivelé pour que l'appareil puisse être aisément mis dans sa position correcte. Le fond doit être suffisamment résistant pour supporter le poids de l'appareil.

### 4.5.1 Emplacement dans la niche

Pousser l'appareil dans la niche jusqu'à ce que l'avant du corps du réfrigérateur et l'avant de la niche soient alignés. Laisser impérativement un espace de **15 à 20 mm** entre la paroi arrière de la niche et le groupe frigorifique !

**Installer le réfrigérateur à l'horizontal dans la niche.**

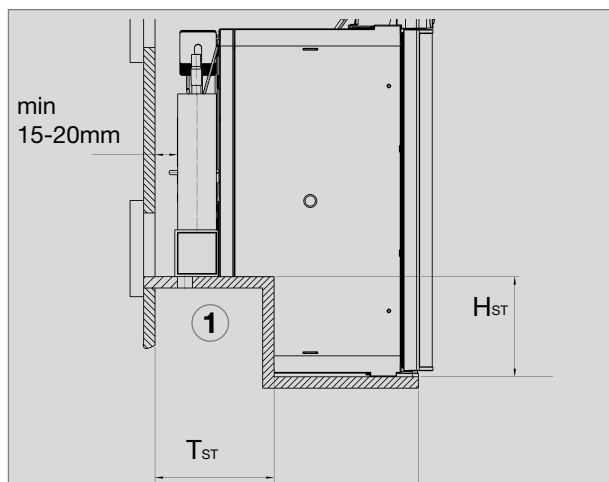


Fig. 26

| Modèle    | Hauteur H <sub>ST</sub> | Profond. T <sub>ST</sub> |
|-----------|-------------------------|--------------------------|
| RMS 8400  | 220 mm                  | 235 mm                   |
| RMS 8401  | 220 mm                  | 235 mm                   |
| RMS 8405  | 220 mm                  | 235 mm                   |
| RMS 8460  | 220 mm                  | 235 mm                   |
| RMS 8461  | 220 mm                  | 235 mm                   |
| RMS 8465  | 220 mm                  | 235 mm                   |
| RMS 8500  | 220 mm                  | 235 mm                   |
| RMS 8501  | 220 mm                  | 235 mm                   |
| RMS 8505  | 220 mm                  | 235 mm                   |
| RMS 8550  | 220 mm                  | 235 mm                   |
| RMS 8551  | 220 mm                  | 235 mm                   |
| RMS 8555  | 220 mm                  | 235 mm                   |
| RMSL 8550 | 220 mm                  | 235 mm                   |
| RMSL 8551 | 220 mm                  | 235 mm                   |
| RMSL 8555 | 220 mm                  | 235 mm                   |

## 4.6 Arrimage du réfrigérateur

Sur les côtés du réfrigérateur, vous trouverez quatre chevilles en plastique prévues pour arrimer l'appareil. Les parois latérales ou les plinthes installées pour fixer le réfrigérateur doivent être conçues de telle manière que les vis ne bougent pas, même lorsqu'elles sont soumises à des efforts importants (quand le véhicule roule). Les vis de fixation et les capuchons se trouvent dans le réfrigérateur.

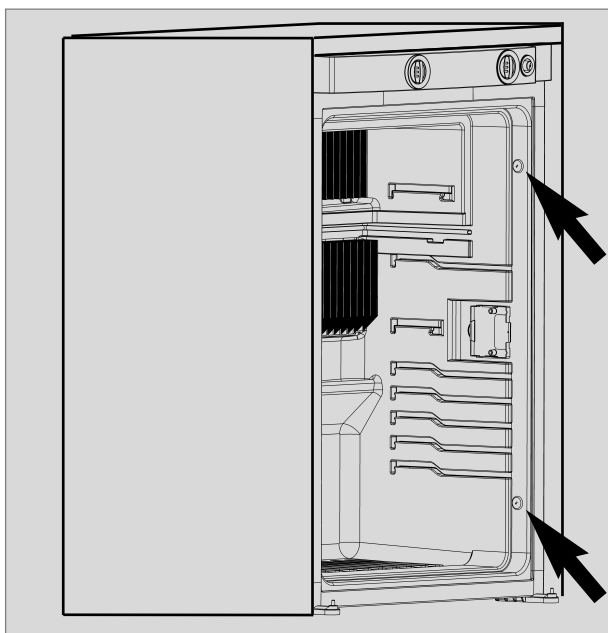


Fig. 27

### ATTENTION!

Toujours visser les vis dans les chevilles prévues à cet effet, afin de ne pas endommager les pièces constitutives telles que les conduites ou autre.

Une fois que le réfrigérateur est placé dans sa position finale, les vis de fixation passant à travers le corps du réfrigérateur sont vissées dans le mur de la niche.

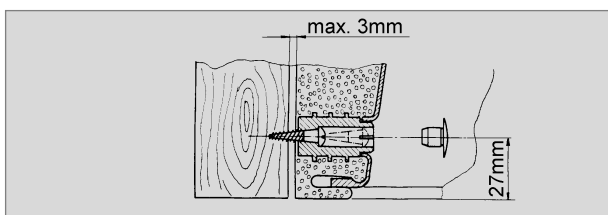


Fig. 28

## 4.7 Montage de la plaque de décoration

### Modèles RM 8xxx, RMS 84xx

- Enlevez en tirant le listeau latéral (1) de la porte (le listeau est posé sans être vissé).
- Dégagez en poussant la plaque de décoration (2) de la porte, engagez la nouvelle plaque de décoration et remettez le listeau (1) en place.

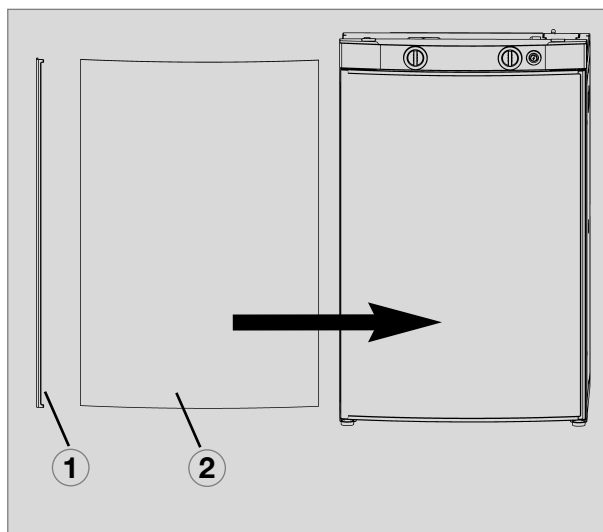


Fig. 29

### Dimensions de la plaque de décoration :

**Largeur de carcasse** 486 mm

| Hauteur        | Largeur        | Epaisseur   |
|----------------|----------------|-------------|
| 743 +/- 0.5 mm | 472 +/- 0.5 mm | max. 2.2 mm |

**Largeur de carcasse** 523 mm

| Hauteur        | Largeur          | Epaisseur   |
|----------------|------------------|-------------|
| 743 +/- 0.5 mm | 510.5 +/- 0.5 mm | max. 2.2 mm |

Modèles RM 8xxx, RMS 84xx

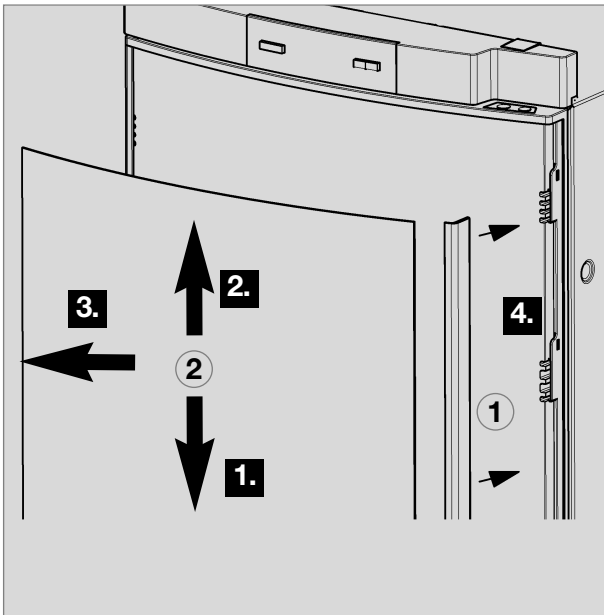


Fig. 30

**ATTENTION!**

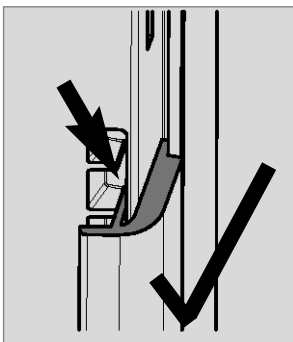


Fig. 31

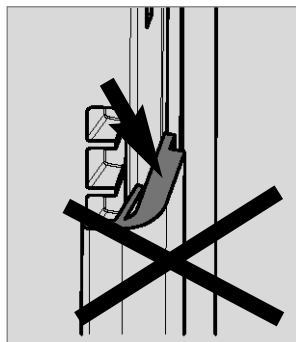


Fig. 32

Modèle RMx(L) 8xxx, panneau décoratif sans cadre

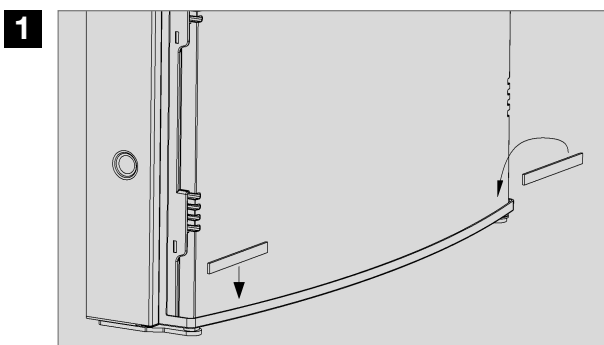


Fig. 33

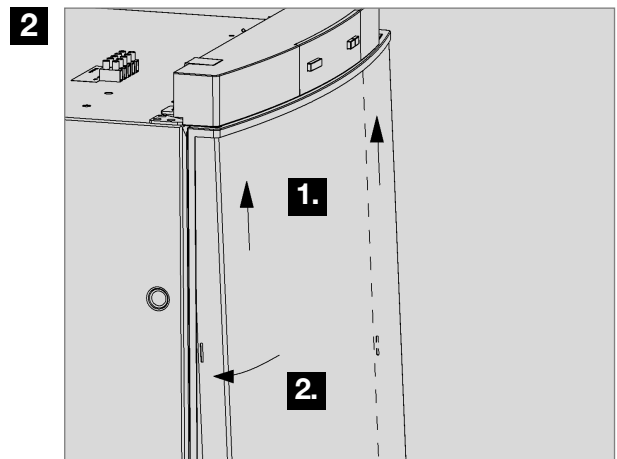


Fig. 34

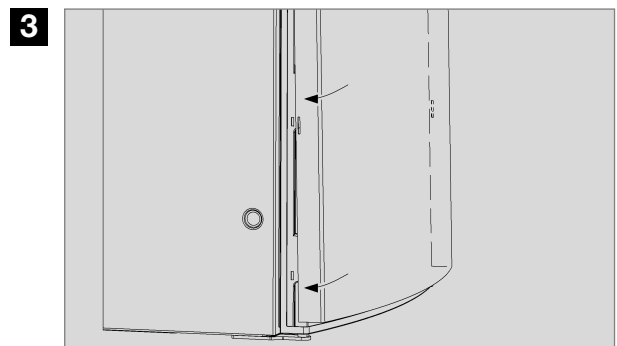


Fig. 35

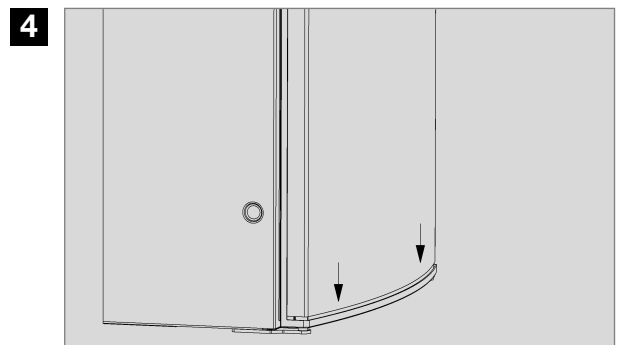


Fig. 36

Dimensions de la plaque de décoration RML 8xxx:

**Largeur de carcasse** 525 mm

| Hauteur        | Largeur       | Epaisseur   |
|----------------|---------------|-------------|
| 1169,5 +/-1 mm | 507,5 +/-1 mm | max. 1.7 mm |



## 4.8 Installation au gaz



### AVERTISSEMENT !

Seul un professionnel agréé\* est autorisé à effectuer le raccordement de gaz .

\* Les professionnels agréés sont des experts dont la formation et les connaissances garantissent que l'installation et le test d'étanchéité a été effectué dans les règles.

- Respectez les prescriptions indiquées à la section 4.1.a
- Ce réfrigérateur est prévu pour une installation au gaz liquéfié selon EN 1949 et doit être alimenté exclusivement avec du gaz liquéfié (propane, butane), en aucun cas avec du gaz de ville ou du gaz naturel.
- Brancher un régulateur de pression pré-régulé respectant les normes EN 12864 sur la bouteille de gaz liquéfié.
- Le régulateur de pression doit être conforme à la pression de régime indiquée sur la plaque signalétique de l'appareil. La pression de régime correspond à la norme de pression du pays destinataire (EN 1949, EN 732).
- Une seule et unique pression de raccordement est autorisée pour un même véhicule ! Placer, bien en vue, une plaque contenant des renseignements fiables et lisibles relatifs à la pression de régime à côté de la bouteille de gaz.
- Le branchement de gaz sur l'appareil doit être effectué hors tension à l'aide de raccords de tuyaux et les tuyaux doivent être solidement attachés au véhicule (l'utilisation d'un tuyau est interdite) (EN 1949).
- Le raccordement à l'appareil s'effectue à l'aide d'un raccord à bague coupante (raccord Erméto) conforme à la norme L8, DIN 2353-ST selon la EN 1949 (Fig. 37,38).

- Après l'installation, effectuée dans les règles, un professionnel agréé\* doit vérifier l'étanchéité et effectuer une épreuve à la flamme, conformément à EN 1949 respectivement. Un certificat de contrôle doit être délivré.
- La conduite d'alimentation de l'appareil doit être équipée d'un dispositif d'arrêt afin de pouvoir être fermée. Ce dispositif d'arrêt doit être facilement accessible pour l'utilisateur.

### Pression de raccordement et catégories de gaz

Les réfrigérateurs fonctionnent avec les gaz et pressions d'admission indiqués ci-après. Les manodétendeurs à loger entre la bouteille de gaz et le réfrigérateur doivent correspondre aux catégories indiquées sur tableau suivant.

| Catégorie      | Pression en mbar | GAZ     |
|----------------|------------------|---------|
| I3B / P(30)    | 30               | Butane  |
|                | 30               | Propane |
| I3+ (28-30/37) | 28-30            | Butane  |
|                | 37               | Propane |



Les réfrigérateurs Dometic de cette série sont équipés pour être raccordés à une pression de 30 mbar. Pour un raccordement à une installation 50 mbar, veuillez utiliser le **régulateur de pression d'alimentation Truma VDR 50/30**.



En cas d'utilisation de **gaz de pétrole liquéfié**, il faut savoir qu'en raison du type de combustion de ce gaz, le brûleur doit être nettoyé régulièrement (nettoyage recommandé 2 à 3 fois par an).

**Branchement de gaz**  
**Modèles RM(S)(L) 8xx0**

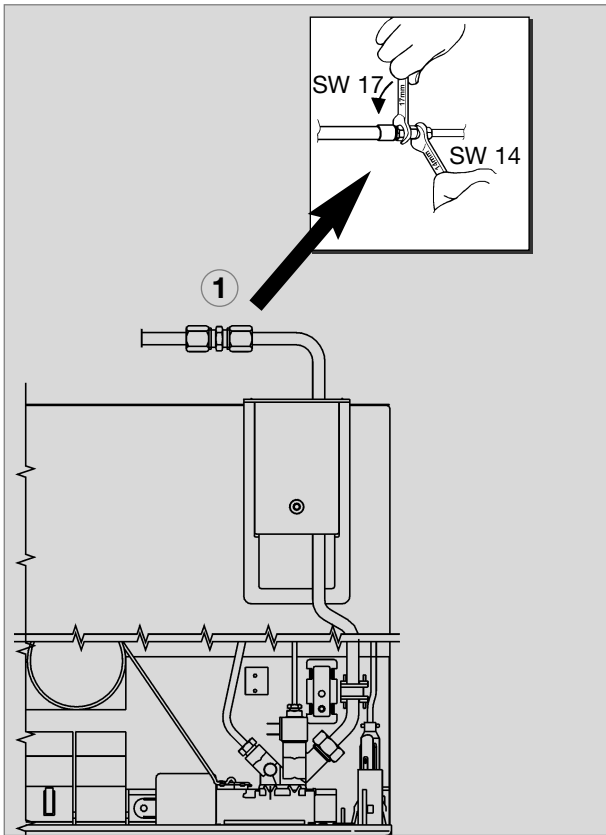


Fig. 37

- 1 Raccord à bague coupante (raccord Erméto L8) conforme à la norme EN ISO 8434

**Branchement de gaz**  
**Modèles RM(S)(L) 8xx1, RM(S)(L) 8xx5**

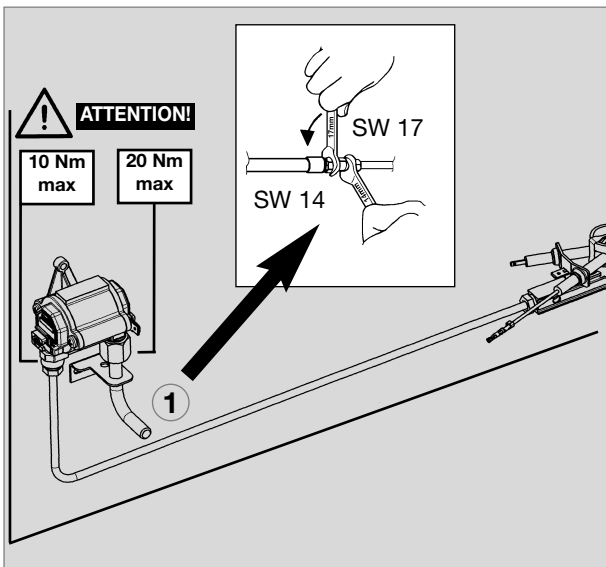


Fig. 38

## 4.9 Installation électrique



### AVERTISSEMENT!

**Seul un professionnel agréé est autorisé à poser l'installation électrique !**

*\* Les professionnels agréés sont des experts dont la formation et les connaissances garantissent que l'installation est effectuée dans les règles de l'art.*

- L'installation électrique doit répondre aux normes nationales.
- Les câbles de raccordement ne doivent entrer en contact, ni avec les parties chaudes du groupe ou du brûleur, ni avec les angles saillants.
- Le constructeur décline toute responsabilité en cas de raccords supplémentaires ou de modifications faites au système électrique (par exemple, raccord à un système de ventilation supplémentaire), car ces modifications entraînent l'annulation de la clause e1/CE ainsi que toute prétention à la garantie sur les défauts et la garantie des produits !

### 4.9.1 Raccordement au réseau

- L'alimentation en courant doit être assurée à l'aide d'une prise de courant reliée à la terre, conformément au règlement, ou d'un raccordement fixe relié à la terre. Si le raccordement au réseau d'alimentation se fait via une prise de courant, celle-ci doit rester facilement accessible. Si la ligne de raccordement est endommagée, celle-ci doit être remplacée par le service clientèle de Dometic ou tout autre personnel également qualifié, afin d'éviter d'éventuels dangers.

Nous recommandons de faire passer la ligne électrique par une protection par fusibles de bord.

### 4.9.2 Raccordement à la batterie

Le câble de raccordement de bord 12V doit être raccordé à un bornier au réfrigérateur (RMx 8xx0) ou sur les contacts à fiche de l'électronique (RMx 8xx1, 8xx5) en respectant les pôles. Le câblage pour la cartouche de chauffage (12V) (voir schéma des connexions, raccord A/B, câble de raccordement blanc/rouge) doit être effectué au moyen d'une liaison directe et aussi courte que possible à la batterie ou à l'alternateur.

**Pour protéger le circuit 12 V embarqué, prévoyez les fusibles suivants :**

- RM8xxx, RMS8xxx: 15 A
- RML855x, RMSL855x: 20 A

Afin d'éviter que la batterie ne se décharge en l'espace de quelques heures lors de l'extinction du moteur du véhicule, il est recommandé de réaliser le raccord électrique pour la cartouche de chauffage (raccord A/B dans le schéma des connexions) de manière à ce que l'alimentation soit interrompue lorsque le moteur est éteint par la clef de contact.

Une alimentation 12V permanente doit être prévue au niveau du raccord C/D (éclairage, installation électronique, câble de raccord noir/violet) ! L'alimentation de 12 V permanente doit être muni d'un fusible de 2A.

### ATTENTION!

**Pour les installations de caravane, les branchements + et - des câbles de 12V A/B et C/D ne doivent pas être en contact les uns avec les autres à bord (conformément à EN 1648-1).**

**Sections de câble et longueurs de câble :**

#### Camping-car & Caravane (intérieur)

4 mm<sup>2</sup> (RML = 6 mm<sup>2</sup>) < 6 m

6 mm<sup>2</sup> (RML = 10 mm<sup>2</sup>) > 6 m

#### Caravane (extérieur)

min 2,5 mm<sup>2</sup> (EN1648-1)

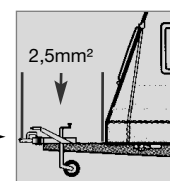
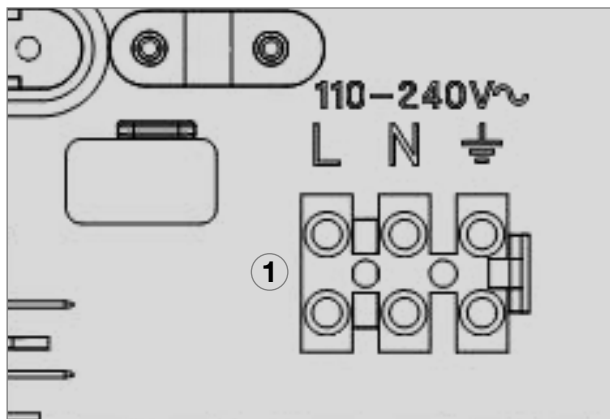


Fig. 42

### 4.9.3 Raccords de câbles

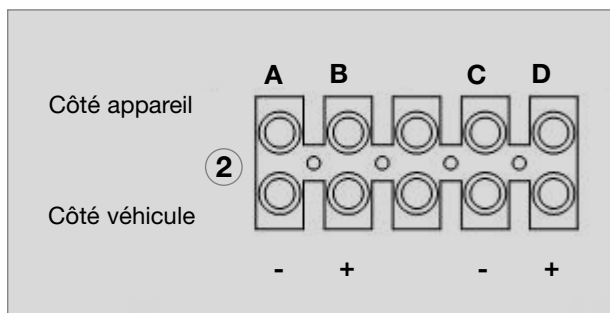
#### Raccords pour les modèles RM(S) 8xx0 :



Raccordement au réseau

Fig. 39

- 1 L = marron  
 N = bleu  
 Mise à la terre = jaune/vert



Raccordement à la batterie

Fig. 40

- 2 A = Masse élément chauffant (marron)  
 B = Plus élément chauffant CC (marron)  
 C = Masse éclairage 12V CC (noir)  
 D = Plus éclairage (blanc)

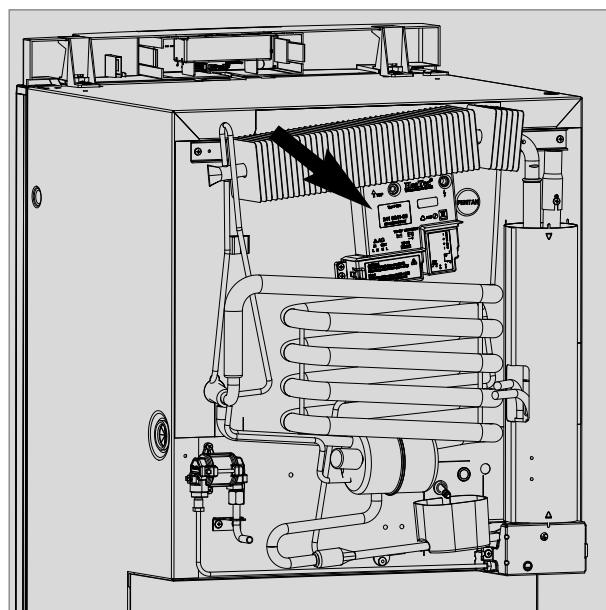
#### Raccords pour les modèles RM(S) 8xxx (MES), RM(S) 8xx5 (AES) :



Pour alimenter les types d'appareil MES et AES, une alimentation 12V permanente doit être prévue au niveau des bornes C/D (alimentation permanente pour le système électronique).

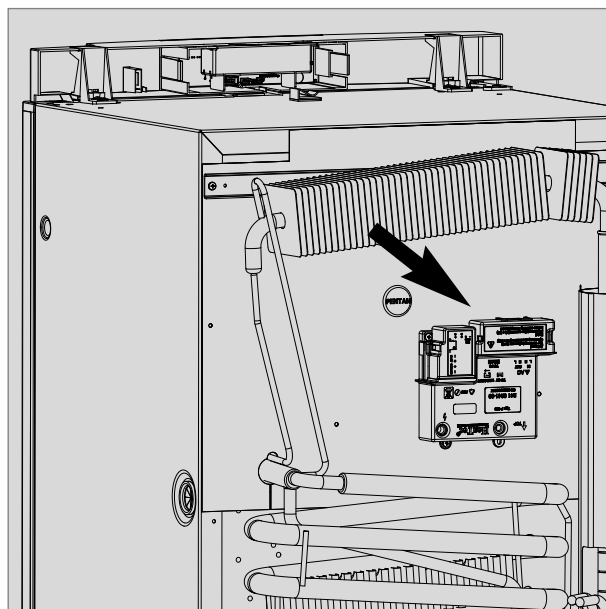
Le raccordement des alimentations en tension de l'électronique et des éléments de chauffage se fait directement sur les contacts à fiche de l'électronique.

#### Position de l'électronique de commande :



Modèles de réfrigérateurs avec passage de roues

Fig. 41



Modèles standard

Fig. 42

## Contacts sur l'électronique :

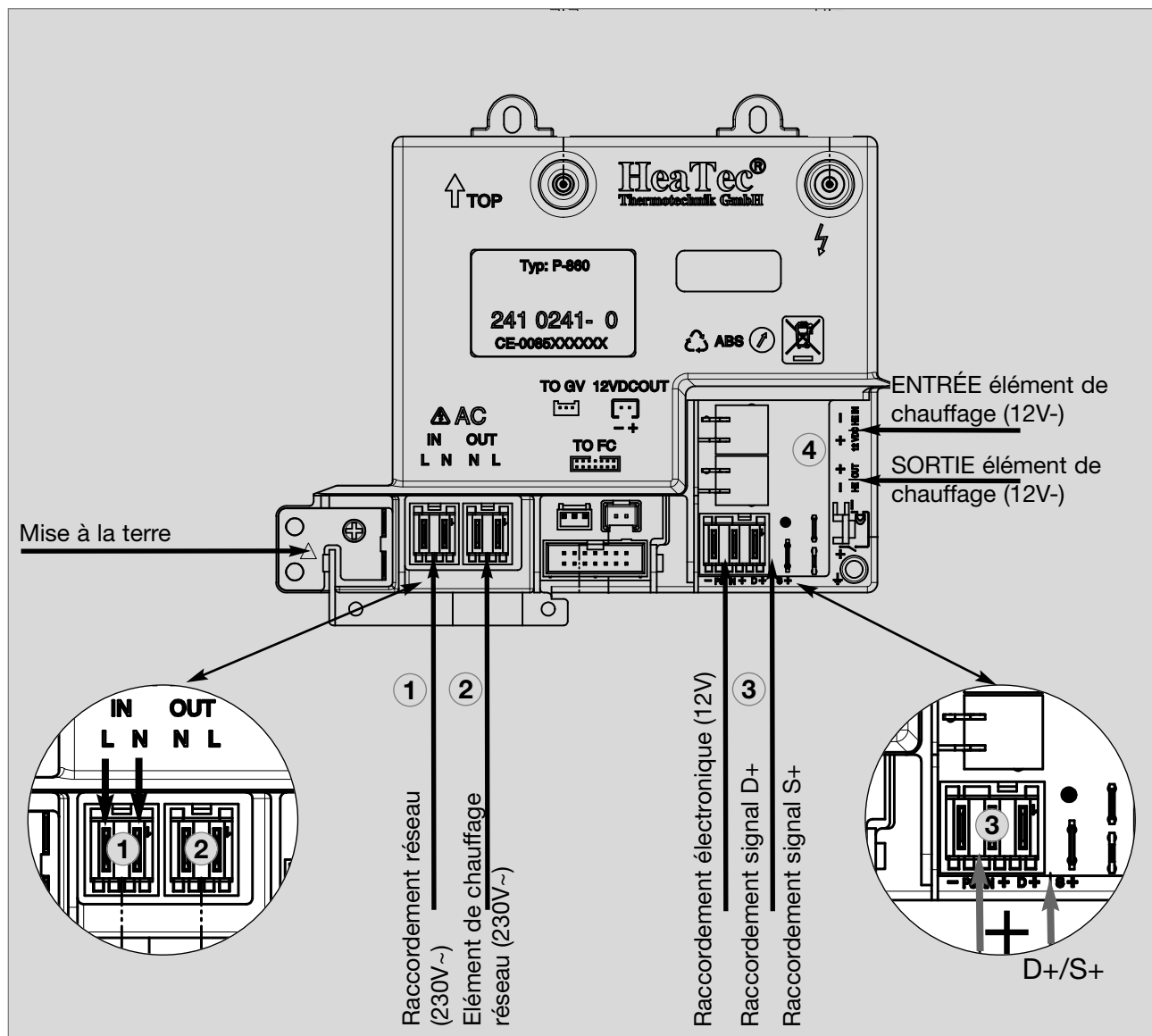


Fig. 43

## Contacts à fiche (fabricant : Stocko® )

- 1 MF 9562-002-80E
- 2 MF 9562-002-8 OC
- 3 *tripolaire avec contact D+ : MF 9562-003-8 30 960-000-00*  
*bipolaire : MF 9562-002-8 ON + fiche plate 6.3 x 0.8*
- 4 MKH 5132-1-0-200

### 4.9.4 Branchement D+ et branchement à l'énergie solaire (uniquement pour modèles AES)

#### Branchement D+ :

Au **mode automatique**, le système électronique AES sélectionne automatiquement le type d'énergie le plus avantageux. Au mode automatique, le système électronique utilise le **signal D+** (dynamo+) de l'alternateur pour la reconnaissance de **12V/CC**. Le fonctionnement sur **12V/CC** n'est sélectionné que si le moteur du véhicule est en marche, pour éviter un déchargement de la batterie.

#### Branchement S+ :

Alternativement, le type d'énergie **12V/CC** peut être alimenté par une installation solaire disponible dans le véhicule. L'installation solaire doit disposer d'un régulateur de charge solaire avec **sortie AES** (les régulateurs de charge correspondants sont disponibles dans les magasins spécialisés). Le branchement **S+** (Solar +) doit être branché au régulateur solaire (**sortie AES**) à l'aide de la borne prévue à cet effet. Le système électronique utilise le signal **S+** du régulateur de charge solaire pour la reconnaissance de **12V/CC solaire**.

#### Sections de câble :

Les câbles D+ et S+ ne véhiculant pas du courant électrique à haute tension, il n'est pas nécessaire que ceux-ci aient un diamètre élevé (environ 1 mm<sup>2</sup> est suffisant).

### 4.9.5 Schémas de câblage

#### Schéma de câblage RM(S) 8xx0 :

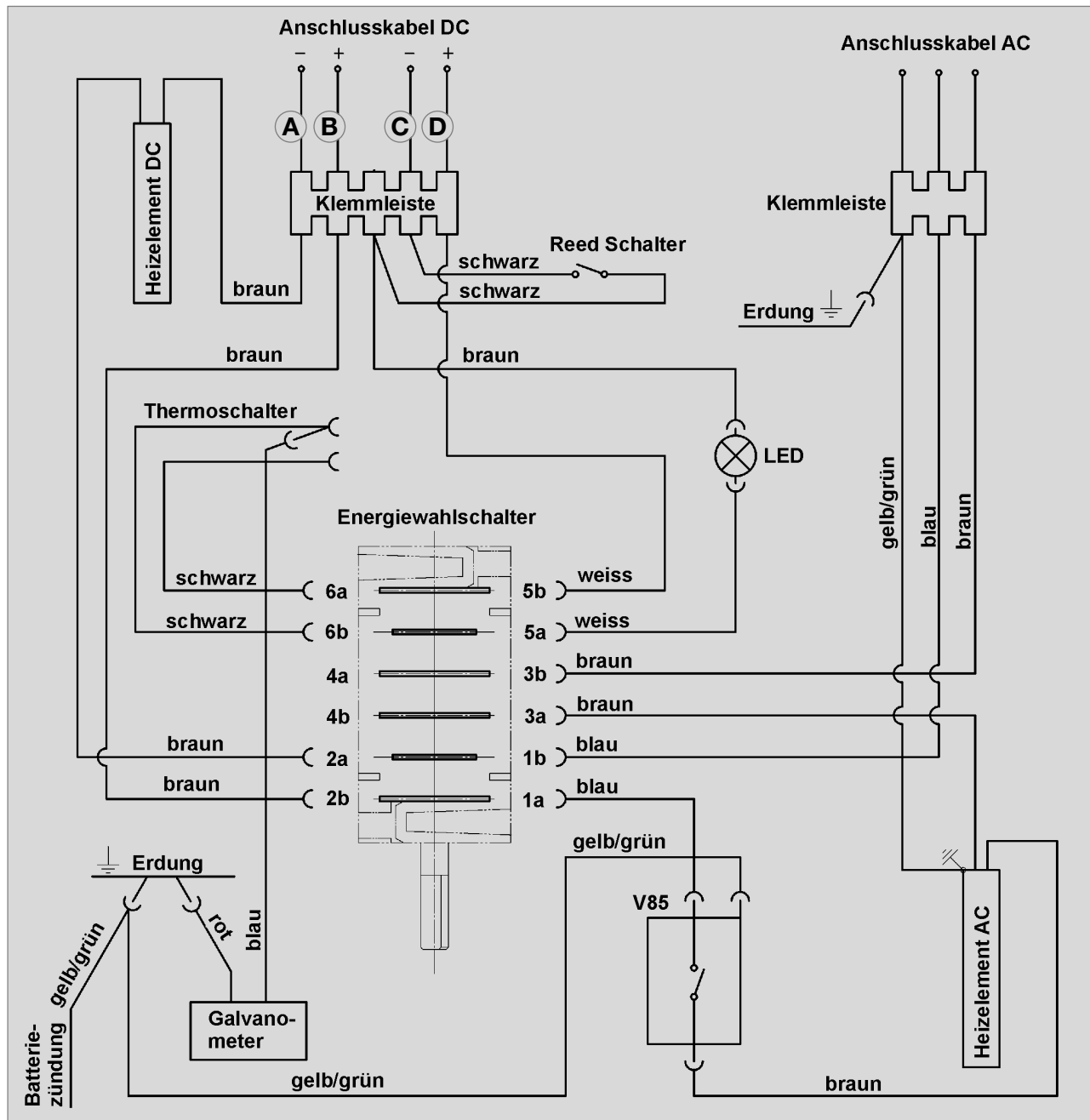


Fig. 44

Schéma de câblage RM(S) 8xx1, RM(S) 8xx5 :

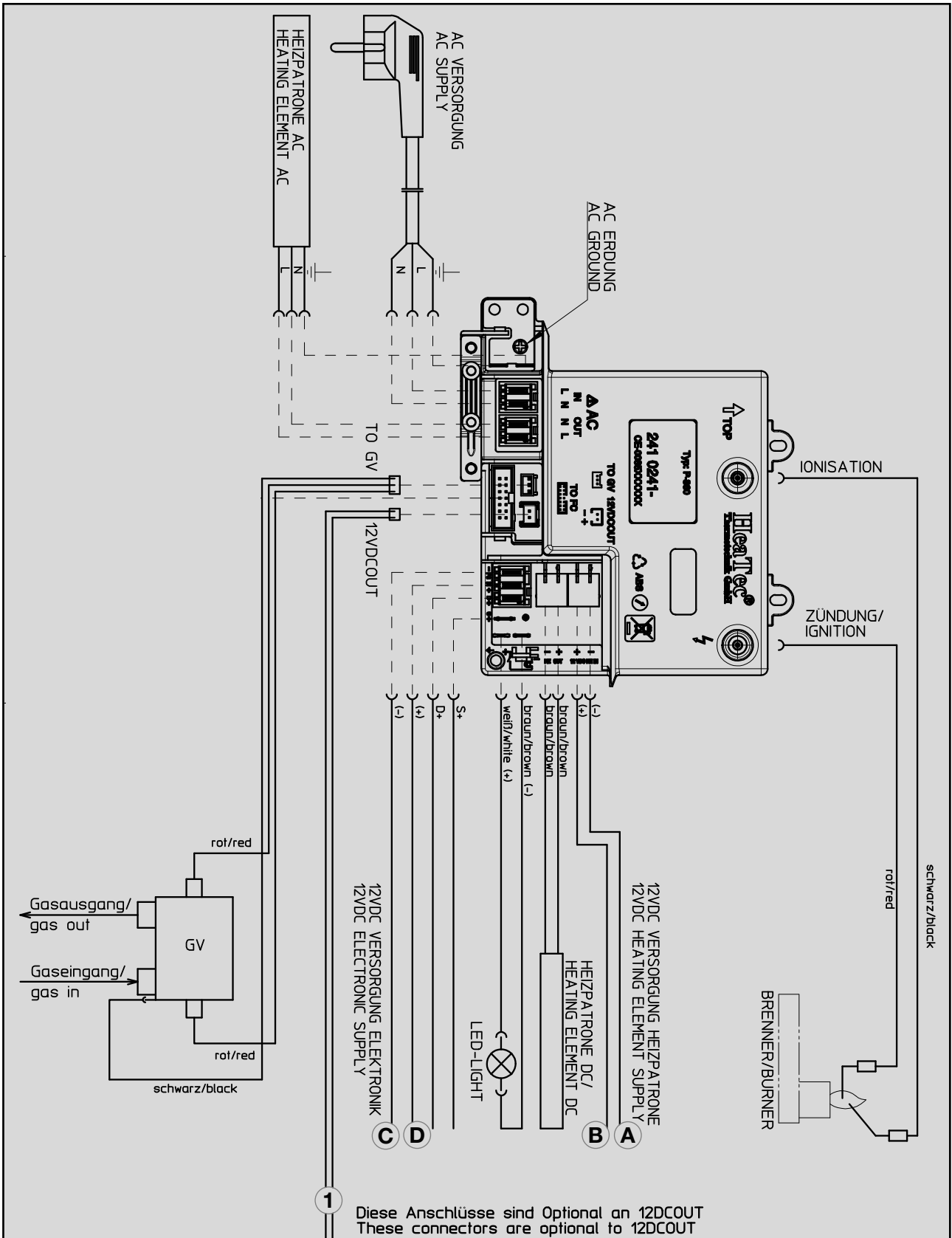


Fig. 45



## Ventilateur (en option) RM(S) 8xx1, RM(S) 8xx5 :

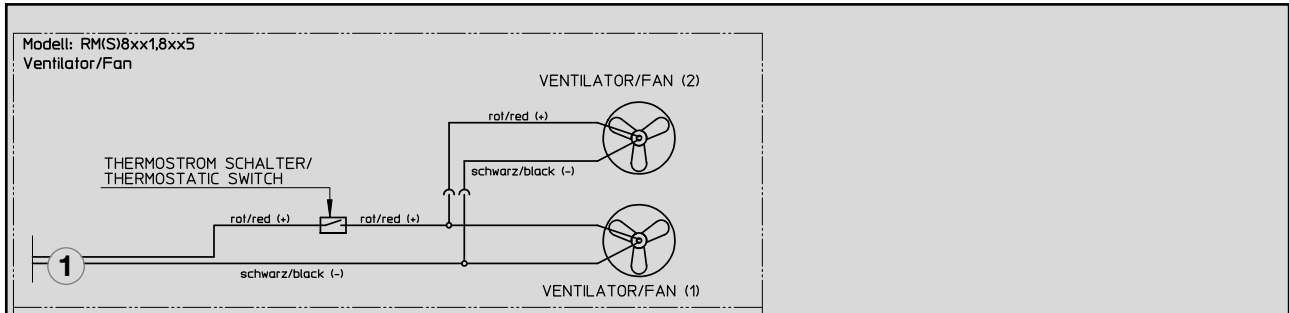


Fig. 46

- ① = 12V OUT / Alimentation 12V pour raccordements en option
- Ⓐ = Masse Heizelement 12V
- Ⓑ = Masse élément chauffant CC
- Ⓒ = Masse système électronique
- Ⓓ = Plus système électronique



**Pour alimenter les types d'appareil MES et AES, une alimentation 12V permanente doit être prévue au niveau des bornes C/D (alimentation permanente pour le système électronique).**

### Légende

|                           |                                 |
|---------------------------|---------------------------------|
| Connecting cable DC       | Câble de raccordement           |
| Mains cable AC            | Câble de raccordement réseau    |
| Terminal block            | Bornier                         |
| GROUND                    | Mise à la terre                 |
| Heating element DC        | Élément chauffant CC            |
| Heating element AC        | Élément chauffant CA            |
| Frame heater              | Chauffage du cadre              |
| Reed-switch               | Interrupteur du éclairage DEL   |
| Thermal switch            | Interrupteur thermostatique     |
| Temperature sensor        | Capteur de température          |
| Electronic                | Système électronique            |
| Burner control device GFA | Allumeur de gaz automatique GFA |
| Gas valve GV 100          | Vanne à gaz GV 100              |
| Gas burner                | Brûleur à gaz                   |
| violet                    | violet                          |
| red                       | rouge                           |
| white / red               | blanc/rouge                     |
| brown                     | maron                           |
| black                     | noire                           |
| white                     | blanc                           |
| yellow/green              | jaunel/vert                     |
| blue                      | bleu                            |



## Istruzioni per l'Installazione

Frigorifero ad assorbimento per veicoli camper

RM 8400 RM 8401 RM 8405 RM 8500 RM 8501 RM 8505 RM 8550 RM 8551 RM 8555  
RMS 8400 RMS 8401 RMS 8405 RMS 8460 RMS 8461 RMS 8465 RMS 8500 RMS 8501  
RMS 8505 RMS 8550 RMS 8551 RMS 8555 RML 8550 RML 8551 RML 8555 RMSL 8500  
RMSL 8501 RMSL 8505



**N 1-1**

MBA 05/2012

**IT**

---

# Sommario

|       |  |    |
|-------|--|----|
| 0.0   | Disimballaggio e trasporto   | 3  |
| 1.0   | Generalità   | 4  |
| 1.1   | Introduzione   | 4  |
| 1.2   | Avvertenze relative a queste istruzioni per l'uso                        | 4  |
| 1.3   | Tutela dei diritti d'autore  | 4  |
| 1.4   | Spiegazione dei simboli utilizzati                                       | 4  |
| 1.5   | Garanzia   | 5  |
| 1.6   | Limitazione della responsabilità   | 5  |
| 1.7   | Dichiarazione di conformità  | 5  |
| 2.0   | Norme di sicurezza   | 6  |
| 2.1   | Uso conforme alle norme  | 6  |
| 2.2   | Responsabilità dell'utente   | 6  |
| 2.3   | Lavori e controlli sul frigorifero                                       | 6  |
| 2.4   | Funzionamento del frigorifero a gas                                      | 6  |
| 3.0   | Descrizione del modello  | 7  |
| 3.1   | Nome del modello   | 7  |
| 3.2   | Targhetta indicatrice del frigorifero                                    | 7  |
| 3.3   | Dati tecnici   | 7  |
| 4.0   | Guida all'installazione  | 10 |
| 4.1   | Installazione  | 10 |
| 4.1.1 | Installazione laterale   | 10 |
| 4.1.2 | Montaggio laterale con ventilazione tra pavimento e tetto                | 11 |
| 4.1.3 | Montaggio posteriore   | 11 |
| 4.1.4 | Installazione senza assorbimento d'aria                                  | 12 |
| 4.2   | Aerazione e scarico dell'aria del frigorifero                            | 13 |
| 4.3   | Installazione del sistema di ventilazione                                | 14 |
| 4.4   | Condotto del gas di scarico e applicazione del camino del gas di scarico | 15 |
| 4.5   | Vano di installazione  | 16 |
| 4.5.1 | Installazione nel vano   | 16 |
| 4.6   | Fissaggio del frigorifero  | 17 |
| 4.7   | Montaggio della placca decorativa  | 17 |
| 4.8   | Installazione a gas  | 19 |
| 4.9   | Installazione elettrica  | 21 |
| 4.9.1 | Collegamento alla rete   | 21 |
| 4.9.2 | Collegamento della batteria  | 21 |
| 4.9.3 | Collegamenti tramite cavo  | 22 |
| 4.9.4 | D+ e allacciamento solare  | 24 |
| 4.9.5 | Schemi dei collegamenti elettrici  | 25 |

Dometic GmbH  
In der Steinwiese 16  
D-57074 Siegen  
[www.dometic.com](http://www.dometic.com)

© Dometic GmbH - 2011 - Si riservano modifiche



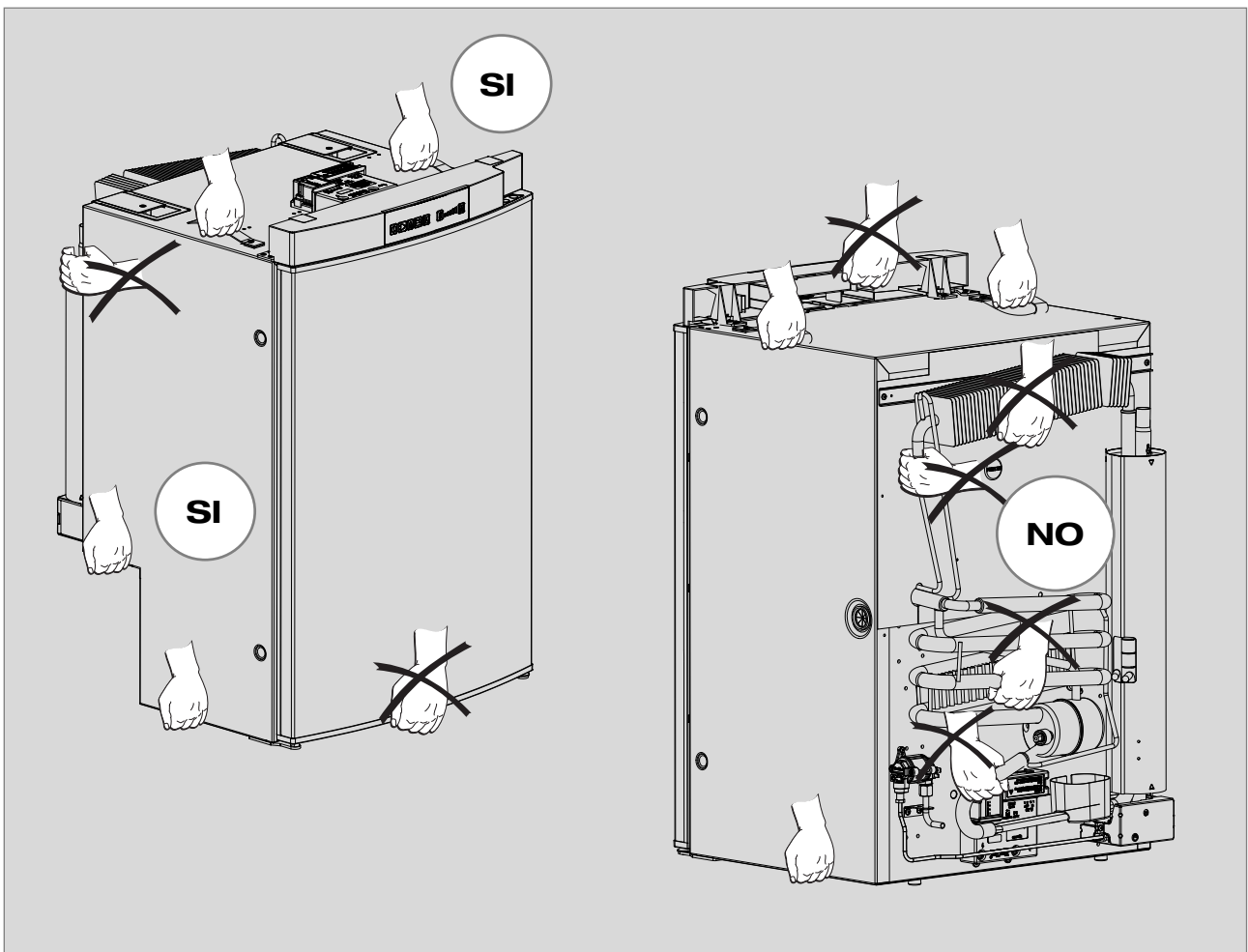
## 0.0 Disimballaggio e trasporto

### Sollevamento / Spostamento del frigorifero

#### **ATTENZIONE!**

Per spostare o sollevare il frigorifero non usare mai parti del frigorifero diverse da quelle mostrate in figura (soprattutto non usare l'unità di raffreddamento, le conduttore del gas e il pannello di controllo)

In questo modo si eviterà di danneggiare il frigorifero!



## 1.0 Generalità

### 1.1 Introduzione

All'installazione dell'apparecchio devono essere seguite le norme tecniche e amministrative della nazione dove verrà inizialmente usato il veicolo. Inoltre si devono seguire le norme di installazione del produttore. In Europa, ad esempio, apparecchiature a gas, messa in posa delle tubature, installazione di bombole di gas, così come l'approvazione e il controllo per eventuali perdite, devono essere conformi alla norma EN 1949 per unità a gas liquido nei veicoli.

### 1.2 Avvertenze relative a queste istruzioni per l'installazione

**Prima di installare il frigorifero, leggere attentamente queste istruzioni per l'installazione.**

Queste istruzioni vi forniscono le necessarie indicazioni per l'installazione corretto dei vostri prodotti. **Si prega di attenersi in particolare alle norme di sicurezza.** Il rispetto delle indicazioni e delle disposizioni sull'uso è molto importante per garantire un utilizzo sicuro dei prodotti e per proteggere l'utilizzatore e le apparecchiature da possibili danni. Per poter attuare un provvedimento è necessario aver capito quanto è stato letto.

**Conservare scrupolosamente le presenti istruzioni per l'installazione.**

### 1.3 Tutela dei diritti d'autore

Dati, testi e illustrazioni di queste istruzioni d'uso sono protetti dai diritti d'autore e sono soggetti ai diritti di protezione industriale. Nessuna parte di queste istruzioni può essere riprodotta, copiata o altrimenti utilizzata senza l'autorizzazione della Dometic GmbH, Siegen.

### 1.4 Spiegazione dei simboli utilizzati

#### Avvertenze

Le avvertenze sono contrassegnate da simboli. Un testo integrativo vi spiega il grado di pericolo.

**Osservate molto accuratamente questi segnali di avvertimento. In questo modo potete proteggere da danni voi, altre persone e l'apparecchio.**



**PERICOLO!**

**PERICOLO** questo simbolo indica una situazione immediata di pericolo che può causare la morte o ferite gravi in caso di mancata osservanza delle istruzioni date.



**AVVERTIMENTO!**

**AVVERTIMENTO** questo simbolo indica una situazione potenziale di pericolo che può causare la morte o ferite gravi in caso di mancata osservanza delle istruzioni date.



**ATTENZIONE!**

**ATTENZIONE** questo simbolo indica una situazione potenziale di pericolo che, può causare ferite leggere o di media gravità in caso di mancata osservanza delle istruzioni date.

**ATTENZIONE!**

**ATTENZIONE** questo simbolo indica una situazione potenziale di pericolo che, può causare ferite leggere o di media gravità in caso di mancata osservanza delle istruzioni date.

## Informazioni



**INFORMAZIONE** questo simbolo vi fornisce ulteriori e utili indicazioni sul modo di procedere con il vostro frigorifero.

## Indicazione per l'ambiente



**INDICAZIONE PER L'AMBIENTE** questo simbolo vi fornisce indicazioni utili sul risparmio di energia e lo smaltimento dell'apparecchio.

## 1.5 Garanzia

I termini di garanzia sono in conformità con la direttiva comunitaria 44/1999/CE e le normali condizioni applicabili per le nazioni in questione. Per la garanzia o per operazioni di manutenzione, contattare il nostro centro Servizio clienti. Eventuali danni causati da uso improprio non sono coperti dalla garanzia. Qualsiasi modifica all'apparecchio o l'uso di **pezzi di ricambio non originali Dometic** nonché l'inosservanza delle garanzie istruzioni di installazione e d'uso rende nulla la garanzia ed esonera da ogni responsabilità.



## 1.6 Limitazione della responsabilità

Tutti i dati e le indicazioni di queste istruzioni per l'uso sono stati stabiliti tenendo conto delle norme e delle disposizioni in vigore, nonché secondo lo stato dell'arte. La **Dometic** si riserva di apportare in qualsiasi momento delle modifiche sul prodotto che siano opportune per migliorare sia il prodotto stesso che la sicurezza.

**La Dometic** non assume nessuna responsabilità nel caso di:

- mancata osservanza delle istruzioni per l'uso,
- impiego non conforme alle norme,
- uso di pezzi di ricambio non originali,
- modifiche e interventi sull'apparecchio
- effetto di influenze ambientali, come
  - variazioni di temperatura
  - umidità atmosferica

## 1.7 Dichiarazione di conformità

| <br><small>Mobile living made easy.</small>  |  |                 |
|---|--|-----------------|
| <b>DECLARATION OF CONFORMITY</b>  |  |                 |
| according to  |  |                 |
| LVD 2014/35/EU<br>EMC Directive 2004/108/EC, 2014/30/EU<br>Gas Appliance Directive 2009/142/EC<br><br>ECE R10, Rev. 4   |  |                 |
| Type of equipment   | Absorption Refrigerator  |                 |
| Brand Name  | DOMETIC  |                 |
| Type family   | C 40/110   |                 |
| Manufacturer's (Factory) name   | DOMETIC GmbH   |                 |
| address   | In der Steinwiese 16, D-57074 Siegen   |                 |
| telephone no  | INT+49 - 271 692 0   |                 |
| telefax no  | INT+49 - 271 692 304   |                 |
| The following harmonized standards or technical specifications (designations) which comply with good engineering practice in safety matters in force within the EEA have been practiced:<br>EN 60335-1;12 (IEC 60335-1; 5 ed., Am. 1, Am. 2),<br>EN 60335-2-24;10 (IEC 60335-2-24; 7 ed., Am. 1),<br>EN 61000-3-2;06, A1, A2                      EN 61000-3-3;08<br>EN 55014-1;06, A1, A2                      EN 55014-2;97, A1, A2<br>EN 732;98                      EN 60335-2-102;06<br>EN 30-1-1;10 A1 (Tectower-Models)<br>EN 30-2-1; 98 A1, A2 (Tectower-Models)<br>EN 50581;2010 |  |                 |
| The equipment conforms completely with the above stated harmonized standards or technical specifications.   |  |                 |
| By signing this document, the undersigned declares as manufacturer, or the manufacturer's authorized representative established within the EEA, that the equipment in question complies with the requirements stated above.   |  |                 |
| Date  | Signature  | Position        |
| 2017.01.09  | <br>Bernd Löher | General Manager |

## 2.0 Norme di sicurezza

### 2.1 Uso conforme alle norme

Il frigorifero è progettato per l'installazione su veicoli quali caravan o camper. L'apparecchio è stato certificato per questo uso in base alla Direttiva UE sul gas.

Utilizzate il frigorifero esclusivamente per raffreddare e immagazzinare generi alimentari..

#### **ATTENZIONE!**

L'apparecchio non deve essere esposto alla pioggia.

### 2.2 Responsabilità dell'utente

Le persone che utilizzano il frigorifero devono avere dimestichezza con l'uso dello stesso e conoscere le avvertenze di queste istruzioni d'uso.

### 2.3 Lavori e controlli sul frigorifero



#### **AVVERTIMENTO!**

Lavori su impianti a gas, impianti di gas di scarico ed elettrici devono essere effettuati solo da personale di servizio autorizzato. Con provvedimenti non conformi alla perfetta regola d'arte possono risultare gravi danni a persone e/ o a cose.



#### **PERICOLO!**



**Non usare mai una fiamma viva per controllare se le parti e le condutture che trasportano il gas non hanno delle perdite! Vi è rischio d'incendio ed esplosione.**



#### **AVVERTIMENTO!**

**Non aprire mai il gruppo refrigeratore ad assorbimento! È ad alta pressione.**

**Vi è pericolo di ferimento!**

### 2.4 Funzionamento del frigorifero a gas

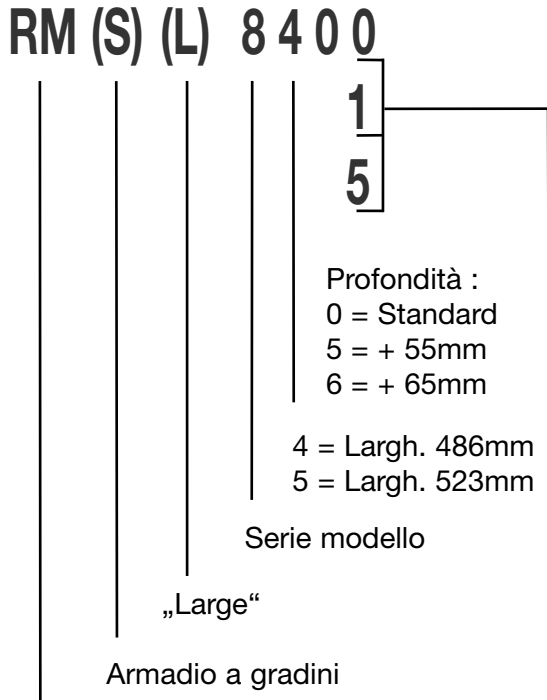
È essenziale che la pressione operativa corrisponda a quanto dichiarato sulla targhetta dell'apparecchio. Confrontare i dati della pressione operativa dichiarati sulla targhetta con i dati presenti sul monitor circa la pressione della bombola del gas liquido.



### 3.0 Descrizione del modello

#### 3.1 Nome del modello

Esempio :



Refrigerator Mobile /  
Frigorifero mobile ad assorbimento

**0**

Selezione manuale alimentazione + accensione manuale (**accenditore a pila**)

**1**

Selezione manuale alimentazione, accensione automatica (**MES**)

**5**

Selezione alimentazione automatica e manuale, accensione automatica (**AES**)

#### 3.2 Targhetta indicatrice del frigorifero

All'interno del frigorifero trovate la targhetta indicatrice. Contiene tutti i dati relativi al frigorifero. Qui potete leggere il nome del modello, il numero del prodotto e il numero di serie. Avete bisogno di questi dati ogni volta che vi rivolgete al Servizio Assistenza o per ordinare i pezzi di ricambio.

| DOMETIC                                   |                         |  |                      |
|---|-------------------------|--|----------------------|
| TYPE                                      | C 40/110                | CLIMATE CLASS                                      | SN                   |
| MOD. NO.                                  | RMS 8400 <b>1</b>       | PROD. NO.  | 00921084272 <b>2</b> |
|   |                         | SER. NO.   | 99900165 <b>3</b>    |
| BRUTTOINHALT<br>TOTAL CAP.<br>VOLUME BRUT | 80 l<br>85 l            | VERDAMPFERFACH<br>FREEZER COMP.<br>VOLUME COMPT BT | 8 l<br>0 l           |
|   |                         | NUTZINHALT<br>USEFUL CAP.<br>VOLUME NET            | 77 l<br>82 l         |
| ~ 230-240V / 125 W<br>= 12 V / 120 W      | LPG                     | Qn: 0,252 kW (HS)<br>ñ: 18,3 g/h                   |                      |
| <b>4</b>                                  | <b>5</b>                | 13+ 28-30/37<br>13B/P 28-30<br>13P 37              | mbar                 |
| CE 0063 BL3214                            | G30, G31                | p = 30/37  | mbar                 |
| ABSORPTION                                | NH <sub>3</sub> = 115 g | Na <sub>2</sub> CrO <sub>4</sub> = 7,0 g           | p max = 35 bar       |
| 07  | CE 0085                 | e 1<br>021654                                      | AP Z 660             |
| FKW, FCKW FREI / CFC, HCFC FREE           | MADE IN GERMANY         | 00057364562  |                      |

Esempio

Fig. 1

- 1** Numero di modello
- 2** Numero di prodotto
- 3** Numero di serie
- 4** Potenza massima assorbita
- 5** Pressione del gas



Tutti i frigoriferi Dometic sono equipaggiati per la pressione di esercizio di **30 mbar**. Per un collegamento ad un **impianto di 50 mbar**, utilizzare il **regolatore della pressione all'entrata Truma VDR 50/30**.

### 3.3 Dati tecnici

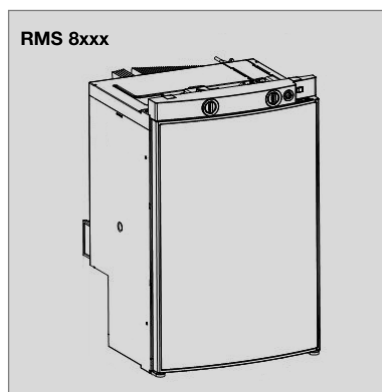


Fig. 2

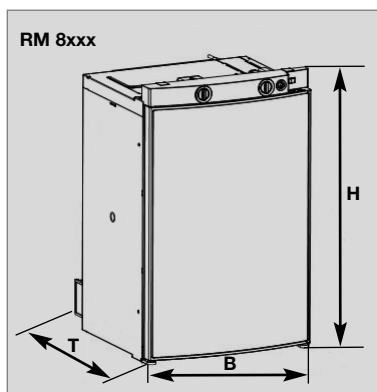


Fig. 3



Fig. 4

#### Modelli con sportello curvo

| Modello   | Dimensioni<br>A x L x P (mm)<br>Profondità<br>compr. la porta | Capacità lorda                     |                                      | Valori di<br>connessione<br>Rete/Batteria | Consumo di<br>elettricità/gas<br>in 24 ore | Peso a<br>vuoto | Accensione          |                            |
|-----------|---|------------------------------------|--------------------------------------|---|--|-----------------|---------------------|----------------------------|
|           |   | con<br>comparto del<br>congelatore | senza<br>comparto del<br>congelatore |   |  |                 | piezo-<br>elettrica | interr.<br>auto-<br>matico |
| RMS 8400  | 821x486x568   | 80 / 8 lit.                        | 85 lit.                              | 125 W / 120 W                             | ca.2,5 KWh / 270 g                         | 25 kg           | •                   |                            |
| RMS 8401  | 821x486x568   | 80 / 8 lit.                        | 85 lit.                              | 125 W / 120 W                             | ca.2,5 KWh / 270 g                         | 25 kg           |                     | •                          |
| RMS 8405  | 821x486x568   | 80 / 8 lit.                        | 85 lit.                              | 125 W / 120 W                             | ca.2,5 KWh / 270 g                         | 25 kg           |                     | •                          |
| RM 8400   | 821x486x568   | 90 / 8 lit.                        | 95 lit.                              | 135 W / 130 W                             | ca.2,4 KWh / 270 g                         | 27 kg           | •                   |                            |
| RM 8401   | 821x486x568   | 90 / 8 lit.                        | 95 lit.                              | 135 W / 130 W                             | ca.2,4 KWh / 270 g                         | 27 kg           |                     | •                          |
| RM 8405   | 821x486x568   | 90 / 8 lit.                        | 95 lit.                              | 135 W / 130 W                             | ca.2,4 KWh / 270 g                         | 27 kg           |                     | •                          |
| RMS 8460  | 821x486x633   | 90 / 11 lit.                       | 96 lit.                              | 125 W / 120 W                             | ca.2,5 KWh / 270 g                         | 26 kg           | •                   |                            |
| RMS 8461  | 821x486x633   | 90 / 11 lit.                       | 96 lit.                              | 125 W / 120 W                             | ca.2,5 KWh / 270 g                         | 26 kg           |                     | •                          |
| RMS 8465  | 821x486x633   | 90 / 11 lit.                       | 96 lit.                              | 125 W / 120 W                             | ca.2,5 KWh / 270 g                         | 26 kg           |                     | •                          |
| RMS 8500  | 821x523x568   | 90 / 9 lit.                        | 96 lit.                              | 125 W / 120 W                             | ca.2,5 KWh / 270 g                         | 26 kg           | •                   |                            |
| RMS 8501  | 821x523x568   | 90 / 9 lit.                        | 96 lit.                              | 125 W / 120 W                             | ca.2,5 KWh / 270 g                         | 26 kg           |                     | •                          |
| RMS 8505  | 821x523x568   | 90 / 9 lit.                        | 96 lit.                              | 125 W / 120 W                             | ca.2,5 KWh / 270 g                         | 26 kg           |                     | •                          |
| RMS 8550  | 821x523x623   | 103 /12 lit.                       | 110 lit.                             | 125 W / 120 W                             | ca.2,6 KWh / 270 g                         | 27 kg           | •                   |                            |
| RMS 8551  | 821x523x623   | 103 /12 lit.                       | 110 lit.                             | 125 W / 120 W                             | ca.2,6 KWh / 270 g                         | 27 kg           |                     | •                          |
| RMS 8555  | 821x523x623   | 103 /12 lit.                       | 110 lit.                             | 125 W / 120 W                             | ca.2,6 KWh / 270 g                         | 27 kg           |                     | •                          |
| RM 8500   | 821x523x568   | 100 / 9 lit.                       | 106 lit.                             | 135 W / 130 W                             | ca.2,4 KWh / 270 g                         | 28 kg           | •                   |                            |
| RM 8501   | 821x523x568   | 100 / 9 lit.                       | 106 lit.                             | 135 W / 130 W                             | ca.2,4 KWh / 270 g                         | 28 kg           |                     | •                          |
| RM 8505   | 821x523x568   | 100 / 9 lit.                       | 106 lit.                             | 135 W / 130 W                             | ca.2,4 KWh / 270 g                         | 28 kg           |                     | •                          |
| RM 8550   | 821x523x623   | 115 /12 lit.                       | 122 lit.                             | 135 W / 130 W                             | ca.2,6 KWh / 270 g                         | 30 kg           | •                   |                            |
| RM 8551   | 821x523x623   | 115 /12 lit.                       | 122 lit.                             | 135 W / 130 W                             | ca.2,6 KWh / 270 g                         | 30 kg           |                     | •                          |
| RM 8555   | 821x523x623   | 115 /12 lit.                       | 122 lit.                             | 135 W / 130 W                             | ca.2,6 KWh / 270 g                         | 30 kg           |                     | •                          |
| RML 8550  | 1245x523x625  | 179 /33 lit.                       | 189 lit.                             | 190 W / 170 W                             | ca.3,2 KWh / 380 g                         | 45 kg           | •                   |                            |
| RML 8551  | 1245x523x625  | 179 /33 lit.                       | 189 lit.                             | 190 W / 170 W                             | ca.3,2 KWh / 380 g                         | 45 kg           |                     | •                          |
| RML 8555  | 1245x523x625  | 179 /33 lit.                       | 189 lit.                             | 190 W / 170 W                             | ca.3,2 KWh / 380 g                         | 45 kg           |                     | •                          |
| RMSL 8500 | 1245x523x568  | 145 /28 lit.                       | 155 lit.                             | 190 W / 170 W                             | ca.3,2 KWh / 380 g                         | 40 kg           | •                   |                            |
| RMSL 8501 | 1245x523x568  | 145 /28 lit.                       | 155 lit.                             | 190 W / 170 W                             | ca.3,2 KWh / 380 g                         | 40 kg           |                     | •                          |
| RMSL 8505 | 1245x523x568  | 145 /28 lit.                       | 155 lit.                             | 190 W / 170 W                             | ca.3,2 KWh / 380 g                         | 40 kg           |                     | •                          |

**Modelli con sportello piano**

| Modello  | Dimensioni<br>A x L x P (mm)<br>Profondità<br>compr. la porta | Capacità lorda                     |                                      | Valori di<br>connessione<br>Rete/Batteria | Consumo di<br>elettricità/gas<br>in 24 ore | Peso a<br>vuoto | Accensione          |                            |
|----------|---|------------------------------------|--------------------------------------|---|--|-----------------|---------------------|----------------------------|
|          |   | con<br>comparto del<br>congelatore | senza<br>comparto del<br>congelatore |   |  |                 | piezo-<br>elettrica | interr.<br>auto-<br>matico |
| RMS 8500 | 821x523x541   | 86 / 9 lit.                        | 92 lit.                              | 125 W / 120 W                             | ca.2,5 KWh / 270 g                         | 26 kg           | •                   |                            |
| RMS 8501 | 821x523x541   | 86 / 9 lit.                        | 92 lit.                              | 125 W / 120 W                             | ca.2,5 KWh / 270 g                         | 26 kg           |                     | •                          |
| RMS 8505 | 821x523x541   | 86 / 9 lit.                        | 92 lit.                              | 125 W / 120 W                             | ca.2,5 KWh / 270 g                         | 26 kg           |                     | •                          |
| RMS 8550 | 821x523x596   | 99 /12 lit.                        | 106 lit.                             | 125 W / 120 W                             | ca.2,6 KWh / 270 g                         | 27 kg           | •                   |                            |
| RMS 8551 | 821x523x596   | 99 /12 lit.                        | 106 lit.                             | 125 W / 120 W                             | ca.2,6 KWh / 270 g                         | 27 kg           |                     | •                          |
| RMS 8555 | 821x523x569   | 99 /12 lit.                        | 106 lit.                             | 125 W / 120 W                             | ca.2,6 KWh / 270 g                         | 27 kg           |                     | •                          |
| RM 8500  | 821x523x541   | 96 / 9 lit.                        | 102 lit.                             | 135 W / 130 W                             | ca.2,4 KWh / 270 g                         | 28 kg           | •                   |                            |
| RM 8501  | 821x523x541   | 96 / 9 lit.                        | 102 lit.                             | 135 W / 130 W                             | ca.2,4 KWh / 270 g                         | 28 kg           |                     | •                          |
| RM 8505  | 821x523x541   | 96 / 9 lit.                        | 102 lit.                             | 135 W / 130 W                             | ca.2,4 KWh / 270 g                         | 28 kg           |                     | •                          |
| RM 8550  | 821x523x596   | 111 /12 lit.                       | 118 lit.                             | 135 W / 130 W                             | ca.2,6 KWh / 270 g                         | 30 kg           | •                   |                            |
| RM 8551  | 821x523x596   | 111 /12 lit.                       | 118 lit.                             | 135 W / 130 W                             | ca.2,6 KWh / 270 g                         | 30 kg           |                     | •                          |
| RM 8555  | 821x523x596   | 111 /12 lit.                       | 118 lit.                             | 135 W / 130 W                             | ca.2,6 KWh / 270 g                         | 30 kg           |                     | •                          |

Il produttore si riserva il diritto di apportare modifiche tecniche.

\* Il consumo medio è calcolato a una temperatura ambiente di 25°C in conformità allo standard ISO.

## 4.0 Guida all'installazione

### 4.1 Installazione



#### AVVERTIMENTO!

**L'apparecchio può essere installato solo da personale autorizzato!**

L'apparecchio e il condotto del gas di scarico devono essere installati in modo da essere comodamente accessibili per la manutenzione in qualunque situazione ed da essere facilmente smontati e montati. Devono anche poter essere estratti dal veicolo senza troppa difficoltà.

L'installazione e la connessione dell'apparecchio devono essere conformi alle ultime norme tecniche, come segue:

- **L'installazione elettrica deve essere conforme alle norme nazionali e locali.**
- **L'installazione a gas deve essere conforme alle norme nazionali e locali.**
- **Norma europea Norm EN 1949**
- **Norma europea EN 60335-1, EN 60335-2-24, EN 1648-1, EN 1648-2**
- **L'apparecchio deve essere installato in modo da essere schermato da eccessive emanazioni di calore.**

Il calore eccessivo deteriora le prestazioni e aumenta il consumo energetico del frigorifero!



**Deroghe da queste istruzioni per l'installazione senza la precedente autorizzazione di Dometic portano all'estinzione della garanzia da parte della Dometic GmbH!**

#### 4.1.1 Installazione laterale

Se l'apparecchio verrà installato nello stesso lato sul quale si trova la porta di accesso nel veicolo, è essenziale assicurare che la grata di ventilazione non verrà coperta quando la porta del caravan è aperta (Fig. 5, distanza porta - griglia di aerazione min. 25 mm). In caso contrario l'aerazione risulta insufficiente, compromettendo le prestazioni di raffreddamento. Il lato della porta del caravan è spesso equipaggiato con una tenda, che è di ostacolo alla circolazione dei gas di combustione e del calore attraverso la grata di ventilazione (deteriorando le prestazioni di raffreddamento) !

Le grate di ventilazione sono coperte. La distanza minima tra la porta e le grate di ventilazione non deve essere inferiore ai 25 mm! (Fig. 5).

Qualora la distanza porta/grata fosse tra 25 e 45 mm, si consiglia di installare il **kit di aerazione Dometic (Articolo No. 241 2985 - 00/0)** per ottenere un raffreddamento ideale nel caso di temperature ambiente elevate.

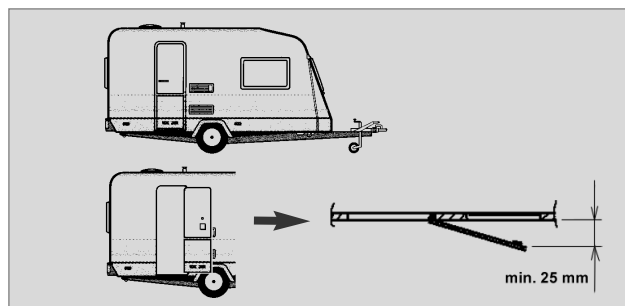


Fig. 5

Le grate di ventilazione permettono la fuoriuscita ottimale del calore e dei gas di scarico dell'apparecchio anche con la porta aperta. (Fig. 6).

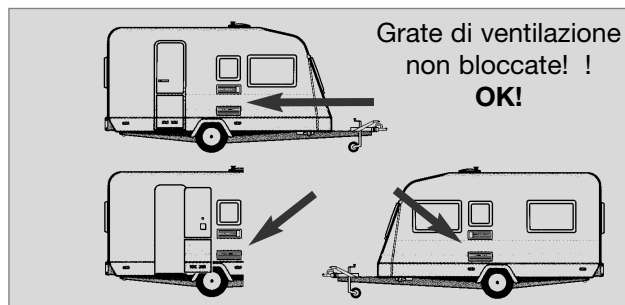


Fig. 6

#### 4.1.2 Montaggio laterale con ventilazione tra pavimento e tetto

Un'altra possibilità è quella di ottenere una ventilazione del frigorifero attraverso un'apertura nel pavimento del veicolo e l'installazione di un dispositivo di scarico dell'aria sul tetto del veicolo (vedere Fig. 7). Tra lo spigolo superiore del frigorifero e l'aerazione nel tetto s'installa un camino che permette di convogliare l'aria calda e i gas di scarico del gruppo motore del frigorifero direttamente attraverso l'aerazione sul tetto.

L'apertura nel pavimento deve avere una sezione libera non inferiore ai **250 cm<sup>2</sup>**. E' necessario che l'apertura venga schermata, per esempio, con una lamiera antiurto o una rete per evitare l'entrata di sporcizia nella zona del bruciatore a gas. Questo tipo di aerazione rispetto all'aerazione laterale è soggetto ad una maggiore sporcizia nella zona posteriore del frigorifero, per cui è necessario effettuare almeno una volta all'anno la regolare manutenzione del bruciatore a gas.

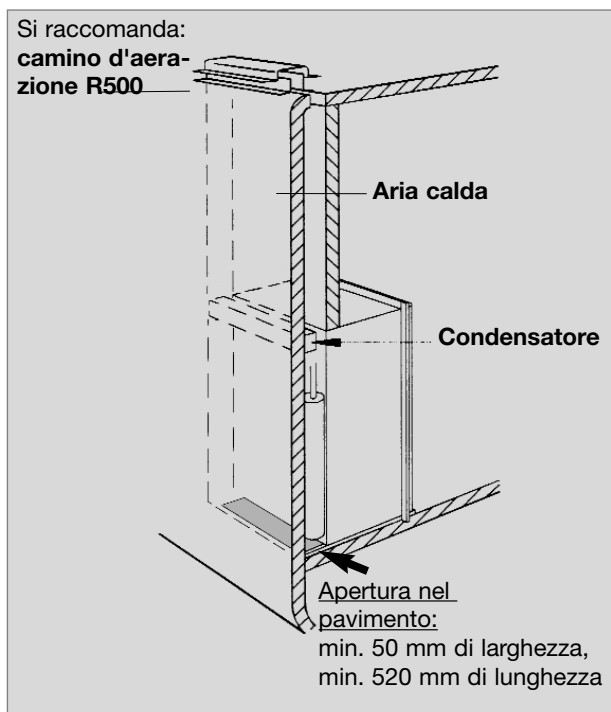


Fig. 7



**Con questo tipo di installazione è solamente possibile effettuare la regolare manutenzione degli elementi del bruciatore a gas smontando l'apparecchio. E' perciò indispensabile che il frigorifero sia montato in modo tale da permettere un facile smontaggio. Raccomandiamo perciò un orificio per la manutenzione (sportello di servizio) dal lato esterno.**

#### 4.1.3 Montaggio posteriore

Il montaggio posteriore è sconsigliato visto che l'aerazione e lo scarico dell'aria non sempre sono assicurati (ad esempio, quando la grata di aerazione inferiore è coperta dal paraurti oppure dalle luci posteriori del veicolo!) (Fig. 8). In questo modo l'unità non può raggiungere il massimo delle prestazioni di raffreddamento.



Fig. 8



Fig. 9

Una variazione svantaggiosa sulla parte posteriore è l'installazione laterale della grata di circolazione dell'aria verso e dall'apparecchio. (Fig. 10). La circolazione dell'aria e del calore è estremamente limitata, per cui lo scambiatore termico (condensatore, assorbitore) non è più adeguatamente raffreddato. La scarsa circolazione dell'aria è anche determinata dall'installazione della grata di aerazione nel pavimento.

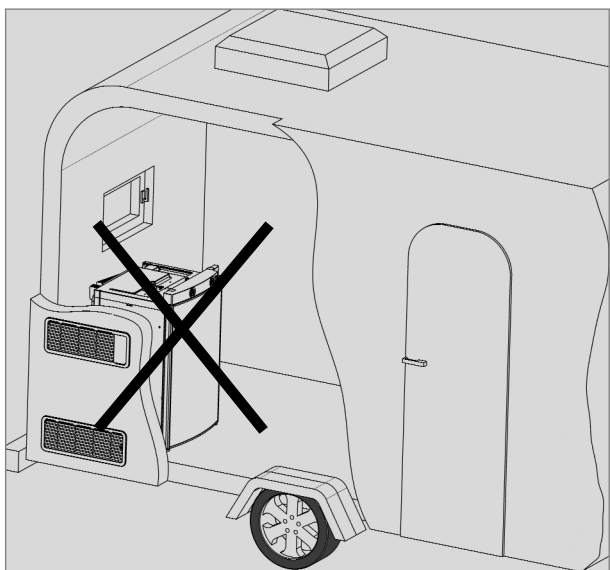


Fig. 10

**ATTENZIONE!**

La massima prestazione di raffreddamento non è disponibile! Non utilizzare questa possibilità di installazione, in quanto l'aerazione e la disaerazione non sono garantite per questa situazione di installazione, come descritto al punto 4.2.

**4.1.4 Installazione senza assorbimento d'aria**

Gli apparecchi di refrigerazione in caravan o caravan a motore, o altri veicoli devono essere installati senza assorbimento d'aria (EN 1949). Questo significa che l'aria verso il bruciatore per la combustione non deve essere presa dallo spazio abitabile e che non avvengono emissioni di gas nello spazio abitabile.

Una tenuta ermetica deve essere prevista tra la zona posteriore del frigorifero e il vano interno del veicolo.

**Dometic** raccomanda vivamente di realizzarla per mezzo di una guarnizione flessibile per rendere successivamente più semplici lo smontaggio e il rimontaggio dell'apparecchio a scopo di manutenzione.



**AVVERTIMENTO!**

In nessun caso l'installazione ermetica del frigorifero deve essere fatta con mastice o schiuma (per es. schiuma di montaggio) o simili! **NON** usate materiali facilmente infiammabili, (in particolare materiale di tenuta al silicone o simile), per la chiusura ermetica, vi è pericolo di incendio! L'uso di tali materiali rende nulle la responsabilità da prodotto e la garanzia del fabbricante dell'apparecchio.

**Suggerimento 1**

Le guarnizioni a labbro (1) vengono fissate lateralmente nella nicchia d'installazione sottostante (fig. 11-13). Una lamiera di dissipazione del calore (2) viene fissata nella nicchia d'installazione sopra al frigorifero (**NON fissare al frigorifero**).

Inserire la lamiera di dissipazione del calore (2) in modo tale che l'aria calda passi attraverso il condotto della grata di ventilazione e fuoriesca all'esterno.

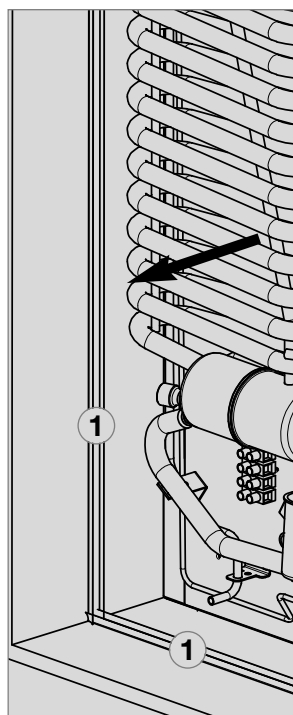


Fig. 11

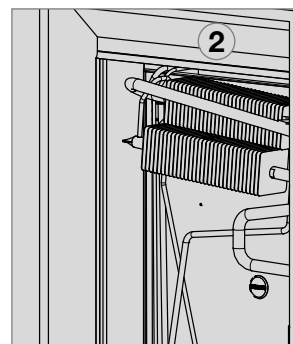


Fig. 12

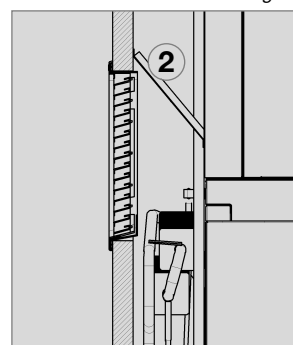


Fig. 13

Successivamente spingere il frigorifero nella nicchia d'installazione. Assicurarsi che le guarnizioni aderiscano uniformemente al coperchio.

Lo smontaggio del frigorifero per manutenzione e riparazione deve essere il più semplice possibile.

### Suggerimento 2

Fissare le guarnizioni a labbro a un listello di bloccaggio posteriore (1), ad es. con dell'adesivo.

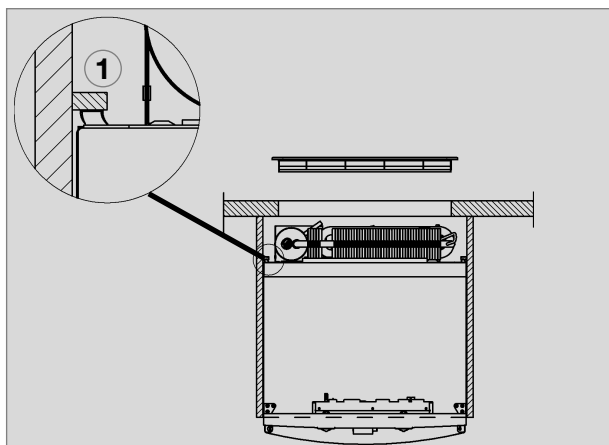


Fig. 14

La cavità fra la parete del caravan e il frigorifero è ora isolata dall'area abitabile. In questo modo, si evita la penetrazione di esalazioni nell'area abitabile. Le esalazioni fuoriescono all'esterno attraverso la grata di ventilazione superiore. Nessun sistema speciale di estrazione delle esalazioni è richiesto per l'installazione senza assorbimento d'aria.

Per questo tipo di installazione si può inserire la stessa grata di ventilazione **LS200** sopra e sotto, senza condotto del gas di scarico.

Se tuttavia si desidera un camino del gas di scarico, installare nell'apertura di aerazione superiore il sistema di ventilazione **LS100** con condotto del gas di scarico (per l'installazione del camino del gas di scarico vedere "4.4").



**Per eventuali modifiche è necessaria l'autorizzazione del produttore!**

## 4.2 Aerazione e scarico dell'aria del frigorifero

È importante un corretto montaggio dell'apparecchio e della grata di aerazione per poter convogliare all'esterno il calore che, per ragioni fisiche, si sviluppa nella parte posteriore dell'apparecchio durante il funzionamento.



**In caso di elevate temperature ambientali le massime prestazioni di raffreddamento dell'unità sono assicurate solo da un'aerazione e scarico dell'aria adeguati.**

L'aerazione dell'aria avviene attraverso due aperture situate nella parete esterna del caravan. L'aria fresca entra dal basso e si convoglia riscaldata attraverso la grata di ventilazione superiore (effetto camino).

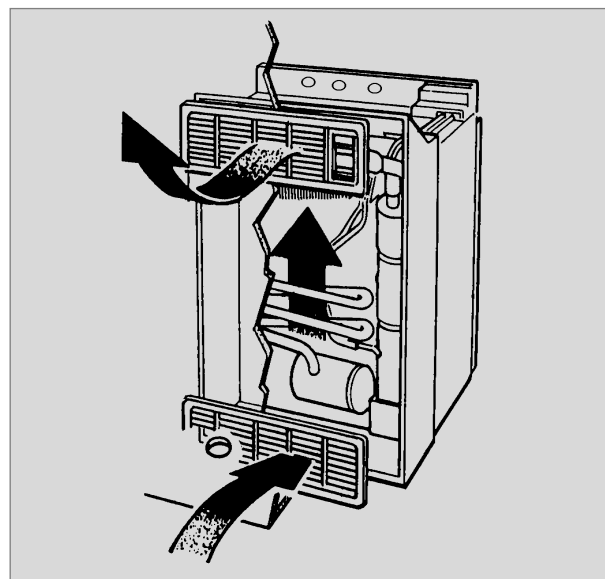


Fig. 15

**La grata di ventilazione superiore deve essere posta nel punto più alto possibile sopra il condensatore (1, Fig. 16). La grata di ventilazione inferiore deve essere collocata al livello del pavimento del vano (Fig. 16,17), permettendo che eventuali perdite di gas (più pesante dell'aria) possano fuoriuscire direttamente all'esterno.**



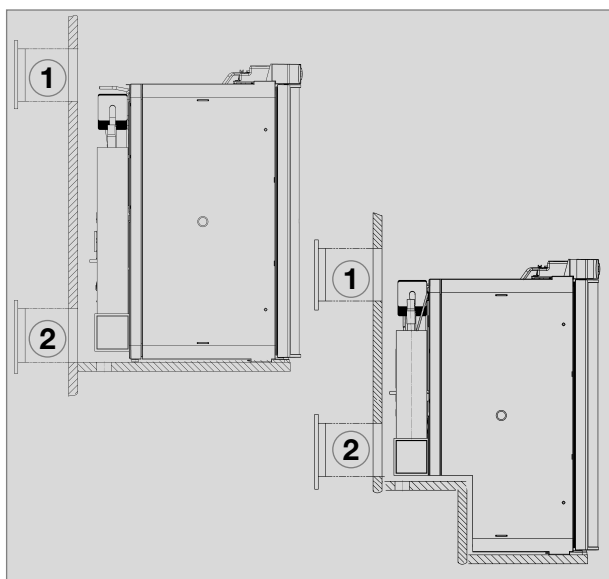


Fig. 16

- ① Grata di ventilazione LS 100 o LS 200
- ② Grata di ventilazione LS 200

**Il bruciatore a gas deve trovarsi al di sopra del bordo (1) (Fig. 17).**

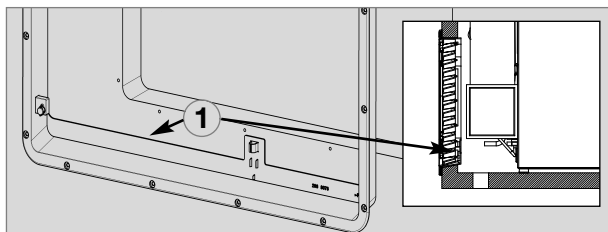


Fig. 17

**Se non è possibile collocare la griglia in questo modo, il costruttore del veicolo deve apportare uno sfiatatoio sul pianale del vano in modo che il gas incombusto non si accumuli sul pianale stesso.**

**E' necessario che le grate di ventilazione abbiano una sezione di apertura non inferiore a 250 cm<sup>2</sup>.** Ciò viene garantito usando il sistema di ventilazione e scarico dell'aria con l'assorbitore Dometic LS 100 / LS 200, collaudato e omologato per questo scopo.

### 4.3 Installazione del sistema di ventilazione

Il sistema di ventilazione superiore **LS 100** è costituito da un telaio di montaggio (**RS 1640**) (1), una grata di ventilazione compreso il condotto del gas di scarico (**AS 1620**) (2, 3) ue di una protezione invernale (**WA120**) (4). Il sistema di ventilazione inferiore **LS 200** è pure costituito da un telaio di montaggio (**RS 1650**), da una grata di ventilazione (**AS 1630**, ma senza condotto del gas di scarico) e da una protezione invernale (**WA130**).

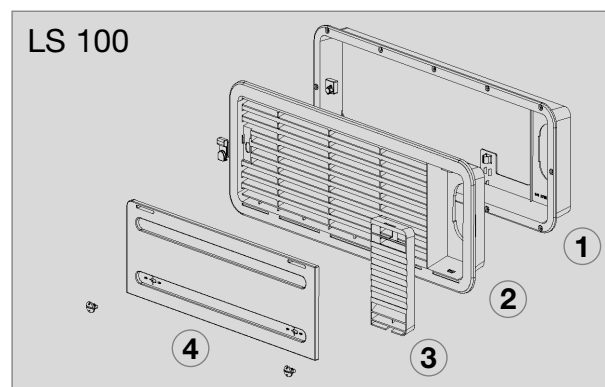


Fig. 18

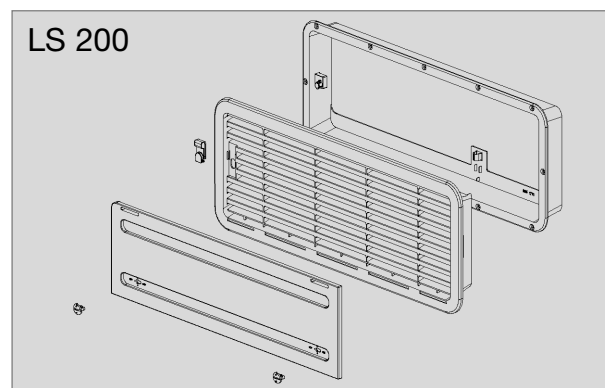


Fig. 19



La corretta applicazione della grata di ventilazione inferiore facilita l'accesso ai collegamenti dell'apparecchio e agli elementi funzionali per i lavori di manutenzione.

#### **ATTENZIONE!**

**Un'installazione divergente riduce l'efficacia del raffreddamento e pregiudica la garanzia/ responsabilità da prodotto.**



Per installare le grate di ventilazione, tagliare una rettangola (451 mm x 156 mm) nella parete esterna del veicolo (per le posizioni dei tagli, vedere fig. 4.2).

**1**

Chiudere a tenuta d'acqua il telaio di montaggio (non applicabile per il telaio di montaggio con guarnizione integrata).

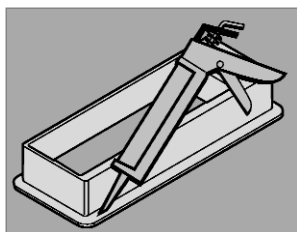


Fig. 20

**2**

Inserire il telaio e avvitarlo a fondo.

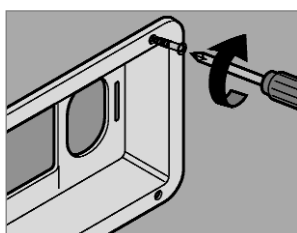


Fig. 21

**3**

Inserire la grata di ventilazione.

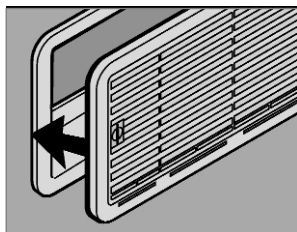


Fig. 22

**4**

Far scattare in sede l'inserto per il condotto del gas di scarico (solo per il sistema di disaerazione LS100).

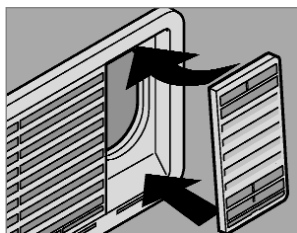


Fig. 23

**5**

Applicare la protezione invernale.

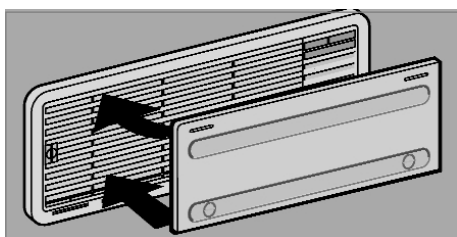


Fig. 24

#### 4.4 Condotto del gas di scarico e applicazione del camino del gas di scarico.

Il condotto del gas di scarico deve essere realizzato in modo da garantire che lo scarico dei prodotti della combustione sia all'esterno del vano abitabile. La condotta del gas di scarico deve sempre essere posata in modo ascendente per evitare la formazione di condensa. Per il tipo di condotto del gas di scarico indicato alla fig. 25, la protezione invernale può essere applicata lateralmente (10)(Fig. 25).

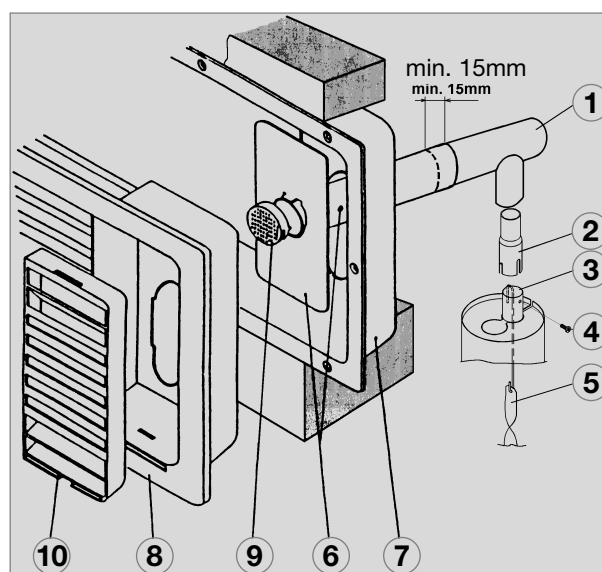


Fig. 25

##### Installazione del camino standard per il gas di scarico :

1. Inserire il raccordo a T (1) sull'adattatore (2), oppure sul tubo del gas di scarico (3) e fissare con la vite (4). Nel fare ciò, accertarsi che il distributore di calore (5) sia ben inserito nella posizione prevista.
2. Inserire il tubo del gas di scarico con la sua piastra di copertura (6) attraverso l'apertura prevista del telaio superiore (7) e collegare al raccordo T (1). Accorciare eventualmente il tubo del gas di scarico (C) per ottenere la lunghezza giusta.
3. Inserire la grata di ventilazione LS100 (8) nel telaio di montaggio (I) e bloccare con la chiusura a cappio che si trova sul lato sinistro della grata.
4. Inserire il tappo (9) sul tubo del gas di scarico (6).
5. Inserire l'inserto per il condotto del gas di scarico (10) nella grata di ventilazione (8).

## 4.5 Vano di installazione

Il frigorifero deve essere installato **senza assorbimento d'aria** in un vano (vedere anche "4.1.4"). Il livello **(1)** (Fig. 26) è soltanto usato per gli armadi a gradini. Il pavimento del vano deve essere in piano, permettendo di spingere facilmente l'apparecchio nella posizione corretta. Il pavimento deve essere sufficientemente robusto per sostenere il peso dell'apparecchio.

### 4.5.1 Installazione nel vano

Spingere l'apparecchio all'interno del vano fino a quando l'estremità anteriore del frigorifero è allineata alla parte anteriore del vano. Lasciare uno spazio di **15 - 20 mm** fra la parete posteriore del vano e il frigorifero.

**Accertarsi che il frigorifero sia installato in piano all'interno del vano.**

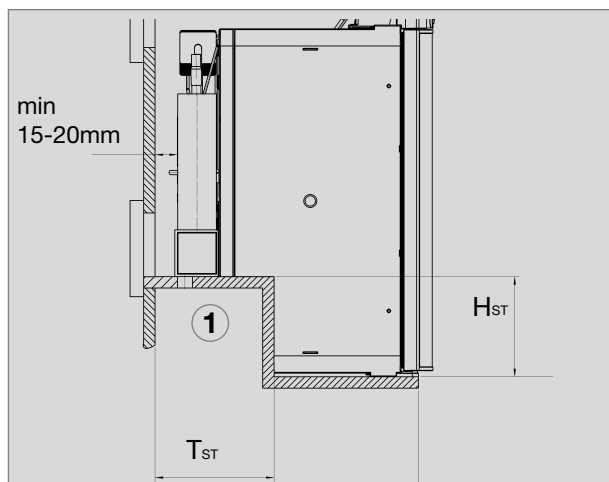


Fig. 26

| Modello   | Altezza H <sub>ST</sub> | Profondità T <sub>ST</sub> |
|-----------|-------------------------|----------------------------|
| RMS 8400  | 220 mm                  | 235 mm                     |
| RMS 8401  | 220 mm                  | 235 mm                     |
| RMS 8405  | 220 mm                  | 235 mm                     |
| RMS 8460  | 220 mm                  | 235 mm                     |
| RMS 8461  | 220 mm                  | 235 mm                     |
| RMS 8465  | 220 mm                  | 235 mm                     |
| RMS 8500  | 220 mm                  | 235 mm                     |
| RMS 8501  | 220 mm                  | 235 mm                     |
| RMS 8505  | 220 mm                  | 235 mm                     |
| RMS 8550  | 220 mm                  | 235 mm                     |
| RMS 8551  | 220 mm                  | 235 mm                     |
| RMS 8555  | 220 mm                  | 235 mm                     |
| RMSL 8550 | 220 mm                  | 235 mm                     |
| RMSL 8551 | 220 mm                  | 235 mm                     |
| RMSL 8555 | 220 mm                  | 235 mm                     |

## 4.6 Fissaggio del frigorifero

Nelle pareti laterali del frigorifero sono presenti quattro manicotti di plastica per il fissaggio del frigorifero. Le pareti laterali o le guide attaccate per il fissaggio del frigorifero devono essere progettate in modo che le viti di fissaggio rimangano saldamente in posizione anche in situazioni di aumento del carico (quando il veicolo è in movimento). Viti di fissaggio e tappi di chiusura sono inclusi nel frigorifero.

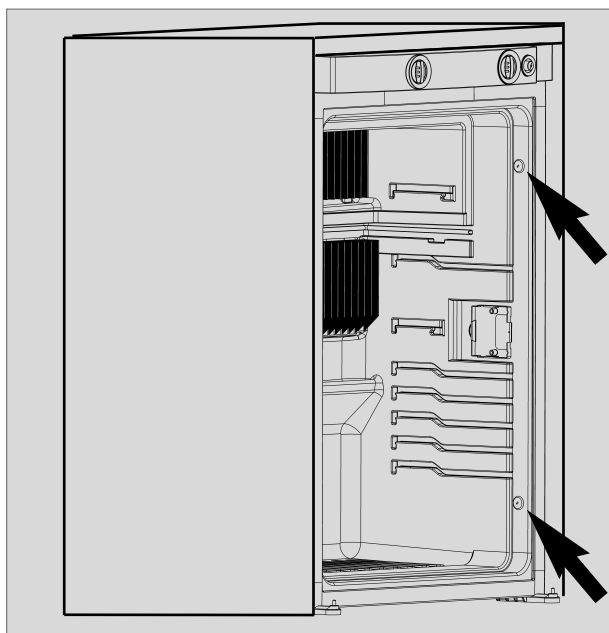


Fig. 27

### ATTENZIONE!

**Inserire sempre le viti attraverso i manicotti, altrimenti alcuni componenti inseriti all'interno della struttura spugnosa, ad esempio i cavi, potrebbero venire danneggiati.**

Inserire sempre le viti attraverso i manicotti, altrimenti alcuni componenti inseriti all'interno della struttura spugnosa, ad esempio i cavi, potrebbero venire danneggiati.

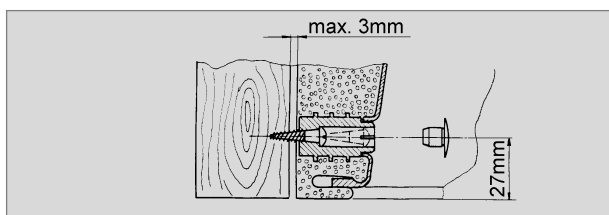


Fig. 28

## 4.7 Montaggio della placca decorativa

### Modelli RM 8xxx, RMS 84xx

- Rimuovere il listello laterale (1) della porta (il listello è inserito, non avvitato).
- Estrarre la placca decorativa (2) dalla porta, inserire la nuova placca e infilare di nuovo il listello (1).

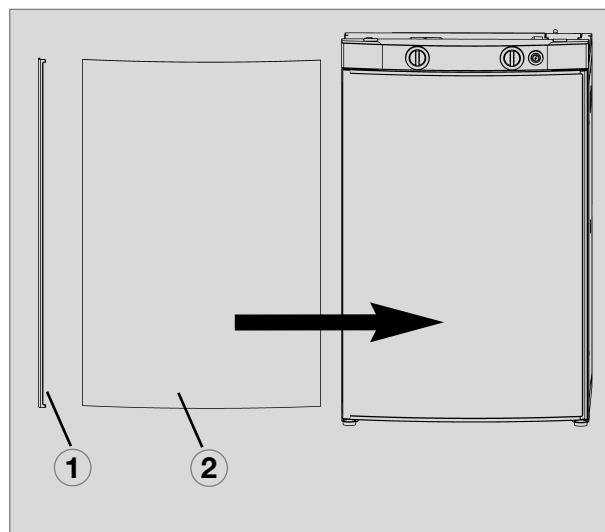


Fig. 29

### Dimensioni della placca decorativa :

Larghezza del coperchio 486 mm

| Altezza        | Larghezza      | Spessore    |
|----------------|----------------|-------------|
| 743 +/- 0.5 mm | 472 +/- 0.5 mm | max. 2.2 mm |

Larghezza del coperchio 523 mm

| Altezza        | Larghezza        | Spessore    |
|----------------|------------------|-------------|
| 743 +/- 0.5 mm | 510.5 +/- 0.5 mm | max. 2.2 mm |

**Modello RM 8xxx, RMS 84xx**

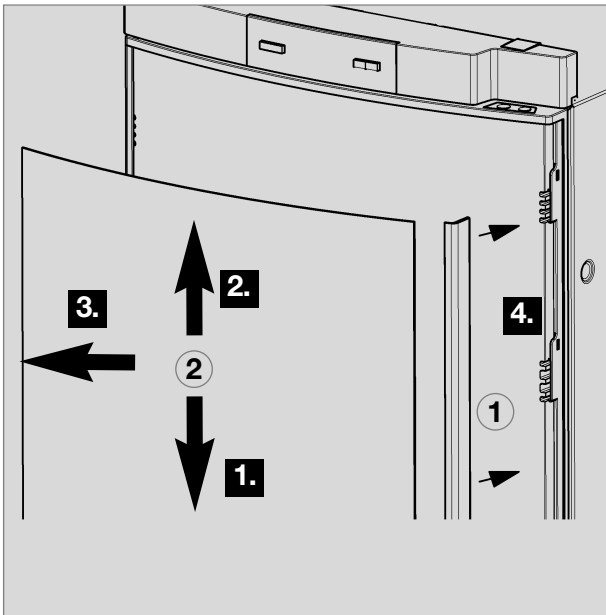


Fig. 30

**ATTENZIONE!**

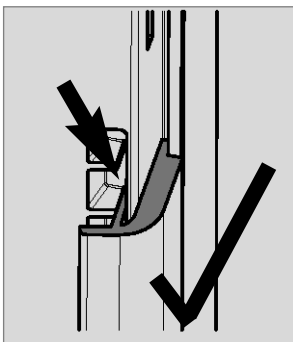


Fig. 31

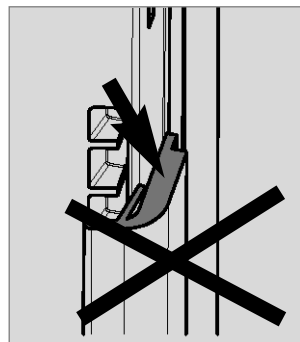


Fig. 32

**Modello RMx(L) 8xxx, placca decorativa senza telaio**

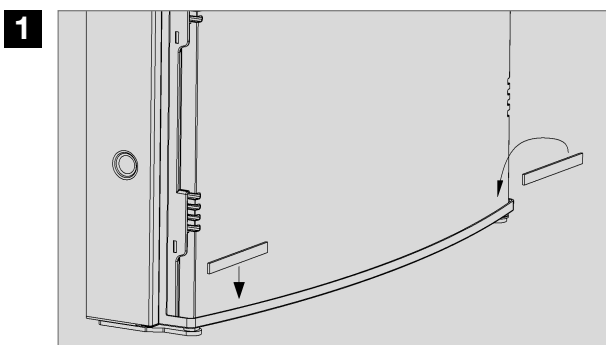


Fig. 33

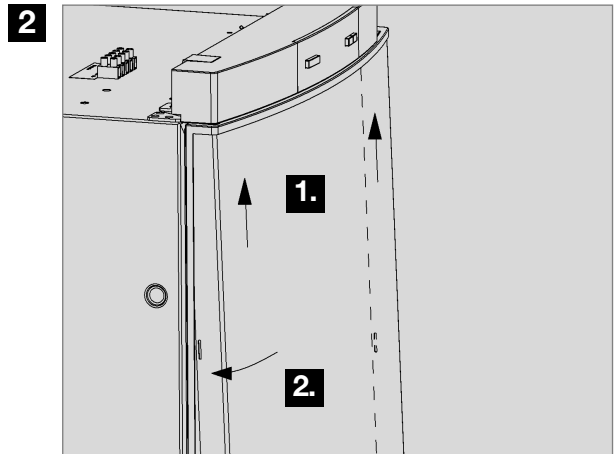


Fig. 34

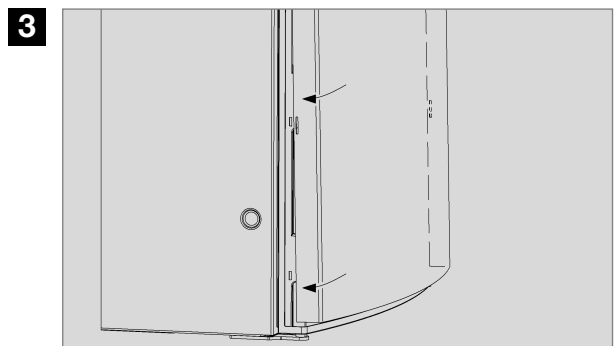


Fig. 35

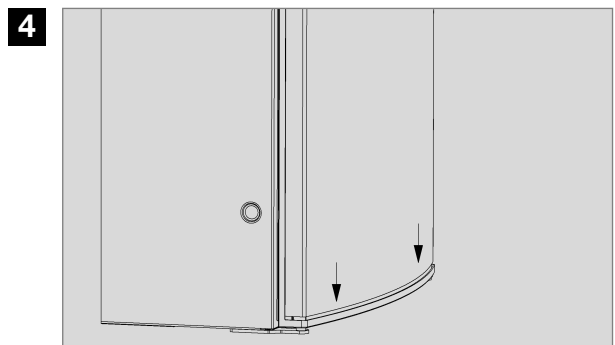


Fig. 36

**Dimensioni della placca decorativa RML 8xxx :**

**Larghezza del coperchio** 523 mm

**Altezza**                      **Larghezza**                      **Spessore**

1169,5 +/-1 mm    507,5 +/-1 mm    max. 1.7 mm

## 4.8 Installazione a gas



### AVVERTIMENTO!

La connessione al gas può essere effettuata solo da personale autorizzato\*.

\* Per personale e autorizzato si intendono esperti accreditati che siano in grado, in virtù del loro addestramento e delle loro conoscenze, di garantire corretta l'installazione la corretta esecuzione del controllo delle perdite.

- Osservare le disposizioni indicate al punto 4.1 !
- Questo frigorifero è concepito per l'installazione in un impianto a gas liquefatto in conformità a EN1949 e deve funzionare esclusivamente a gas liquido (propano, butano) (niente metano o gas di città).
- Un regolatore di pressione fisso preimpostato, conforme alla norma EN 12864 deve essere connesso alla bombola del gas liquido.
- Il regolatore di pressione deve essere regolato in base alla pressione operativa specificata nella targhetta dei dati dell'apparecchio. La pressione operativa corrisponde alla pressione standard della nazione in cui viene installato l'apparecchio (EN 1949, EN 732).
- Per ogni veicolo, è permessa una sola pressione di connessione! Un cartello indicatore con l'indicazione ben leggibile e permanente, deve essere collocato nel luogo in cui si trova la bombola del gas.
- L'installazione dell'allacciamento del gas all'apparecchio deve essere effettuata con tubi di raccordo in modo solido e senza tensione (il raccordo a tubo flessibile non è ammesso) (EN 1949).
- La connessione del gas all'apparecchio è effettuato tramite un manicotto (Ermeto) appropriato per il tubo L8, DIN 2353-ST, conforme alla norma EN 1949 (fig. 37,38).

- Dopo l'installazione eseguita in modo appropriato, deve essere effettuato un controllo per perdite e per l'uso del fuoco da personale \* autorizzato. Deve essere rilasciato un certificato che attesti i controlli effettuati.
- Il frigorifero deve essere equipaggiato con un dispositivo di chiusura alimentazione sul condotto di alimentazione. Questo dispositivo di chiusura alimentazione deve essere facilmente accessibile all'utente.

### Pressione di alimentazione e categorie di gas

I frigoriferi vengono azionati con le seguenti categorie di gas e pressioni di alimentazione. I riduttori di pressione da utilizzare fra la bombola ed il frigorifero devono essere conformi alle categorie indicate nella tabella sottostante.

| Categoria      | Pressione in mbar | GAS     |
|----------------|-------------------|---------|
| I3B / P(30)    | 30                | Butano  |
|                | 30                | Propano |
| I3+ (28-30/37) | 28-30             | Butano  |
|                | 37                | Propano |



I frigoriferi Dometic di questa serie sono dotati della pressione di connessione di **30 mbar**. Per un collegamento ad un impianto di **50 mbar** utilizzare il regolatore di pressione all'entrata **Truma VDR 50/30**.



Se si utilizza il **gasauto** bisogna tenere presente che, a causa del tipo di combustione del gas, il bruciatore deve essere pulito più spesso (si consiglia due o tre volte l'anno).

**Connessione al gas, modelli RM(S)(L) 8xx0**

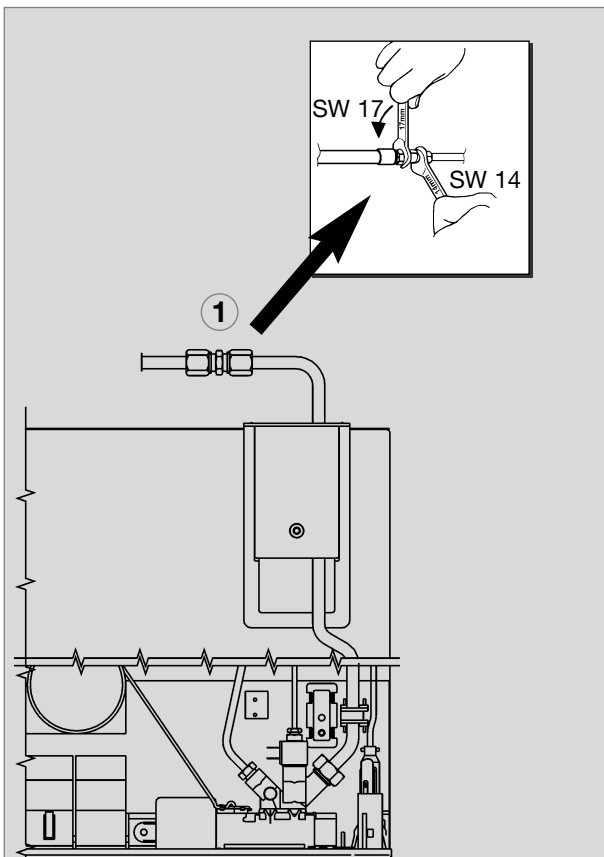


Fig. 37

- 1 Manicotto (Ermeto) L8, conforme alla norma EN ISO 8434

**Connessione al gas, modelli RM(S)(L) 8xx1, RM(S)(L) 8xx5**

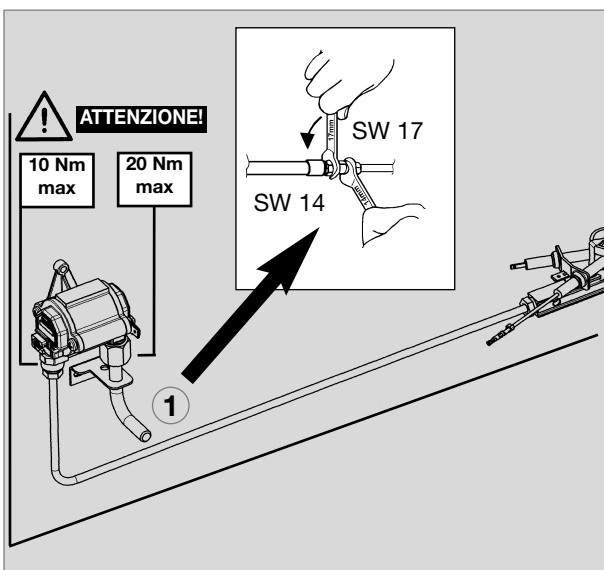


Fig. 38

## 4.9 Installazione elettrica



### AVVERTIMENTO!

**La connessione al gas può essere effettuata solo da personale autorizzato\*.**

\* Per personale e autorizzato si intendono esperti accreditati che siano in grado, in virtù del loro addestramento e delle loro conoscenze, di garantire corretta l'installazione la corretta esecuzione del controllo delle perdite.

- L'installazione elettrica deve essere conforme alle norme nazionali.
- I cavi di connessione devono essere posizionati in modo tale da non entrare in contatto con componenti caldi dell'unità / bruciatore o con bordi taglienti.
- Eventuali modifiche al sistema elettrico interno o un collegamento di altri apparecchi elettrici (p.e. ventola supplementare) al sistema di cavi interno dell'apparecchio comportano l'esclusione della certificazione di omologazione e1/CE e di tutti i diritti di garanzia sul prodotto!

### 4.9.1 Collegamento alla rete

- L'elettricità deve essere fornita tramite una presa propriamente collegata a terra o con una connessione cablata. Quando una presa di corrente viene utilizzata come conduttore della connessione di rete, la presa deve essere accessibile.

Se la linea di allacciamento è danneggiata, deve essere sostituita dal Servizio clienti Dometic o da personale specializzato e qualificato al fine di evitare pericoli.

Raccomandiamo di far passare la linea di alimentazione attraverso una protezione a bordo del veicolo.

### 4.9.2 Collegamento della batteria

Il cavo di collegamento di bordo da 12V deve essere allacciato correttamente ai poli di una morsettiera del frigorifero (RMx 8xx0) o nelle prese del circuito elettronico (RMx 8xx1, 8xx5). Il cablaggio del riscaldatore cilindrico (si veda lo schema elettrico del collegamento A/B) deve avvenire con un collegamento diretto e il più corto possibile alla batteria o al carica-batteria.

**Per proteggere il circuito di bordo da 12 V fornire i seguenti fusibili:**

- RM8xxx, RMS8xxx: 15 A
- RML855x, RMSL855x: 20 A

Per non doversi ricordare ogni volta che si spegne il veicolo di disattivare anche l'alimentazione a 12V (la batteria si scaricherebbe nel giro di poche ore) si deve impostare l'alimentazione di corrente del riscaldatore cilindrico (allaccio A/B nello schema elettrico) in modo tale che quando viene girata la chiave di accensione essa venga disattivata.

Assicurare un'alimentazione costante da 12V (c.c.) al collegamento C/D (luci, sistema elettronico)! L'alimentazione costante da 12V deve essere equipaggiato con un fusibile da 2A!

### ATTENZIONE !

**In caso di installazioni su caravan, nel veicolo i cavi meno e più degli allacciamenti a 12 V A/B e C/D non devono essere collegati uno all'altro (EN 1648-1).**

**Sezione dei cavi e lunghezze dei cavi per caravan/ motorcaravan:**

#### Motorcaravan & Caravan (interno)

|   |       |
|---|-------|
| 4 mm <sup>2</sup> (RML = 6 mm <sup>2</sup> )  | < 6 m |
| 6 mm <sup>2</sup> (RML = 10 mm <sup>2</sup> ) | > 6 m |

#### Caravan (esterno)

min 2,5 mm<sup>2</sup> (EN1648-1)

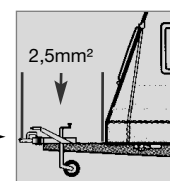
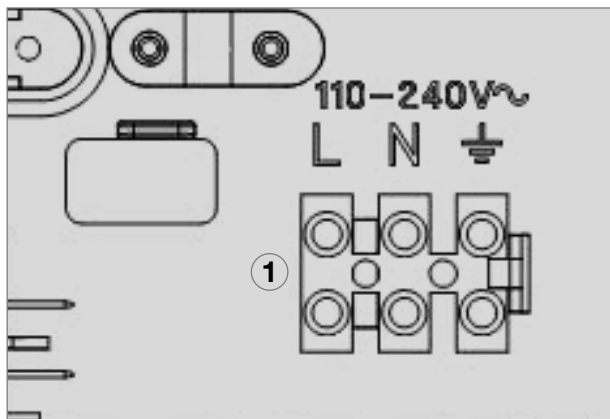


Fig. 42

### 4.9.3 Collegamenti tramite cavo

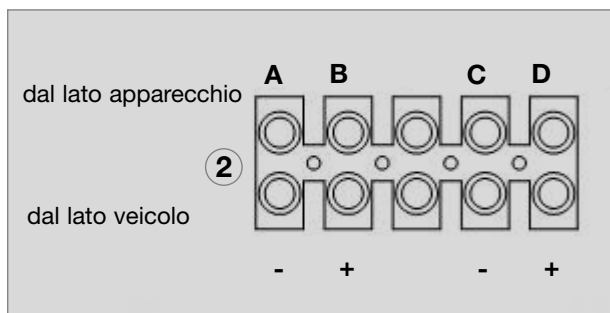
#### Collegamenti , modelli RM(S) 8xx0 :



Allacciamento alla rete

Fig. 39

- 1 L = marrone  
 N = blu  
 messa a terra = giallo/verde



Collegamento della batteria

Fig. 40

- 2 A = massa riscaldatore CC (marrone)  
 B = più riscaldatore CC (marrone)  
 C = massa luce (nero)  
 D = più luce (bianco)

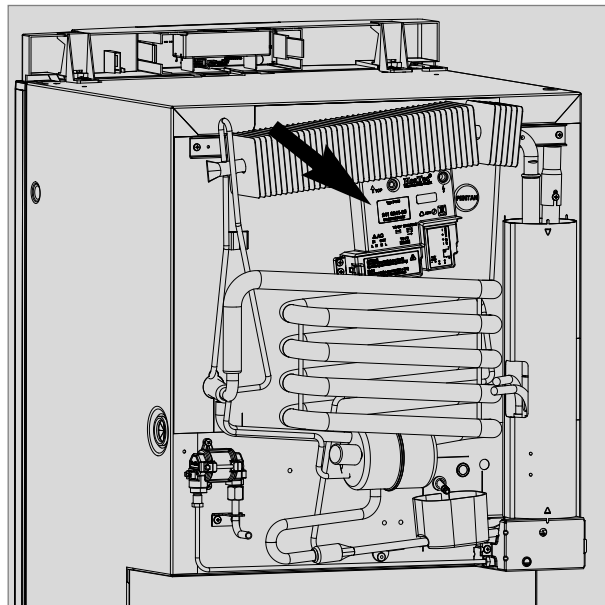
#### Collegamenti , modelli RM(S) 8xxx (MES), RM(S) 8xx5 (AES) :



Per il funzionamento dei tipi di apparecchio MES e AES è indispensabile collegare un'alimentazione continua a 12V sui morsetti C/D. (alimentazione continua per il sistema elettronico funzionale).

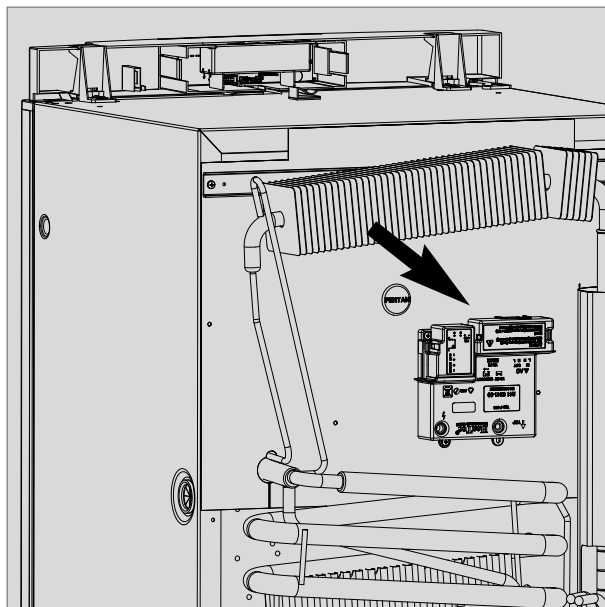
Il collegamento delle alimentazioni di tensione per il circuito elettronico e i riscaldatori si effettua direttamente nelle prese del circuito elettronico.

#### Posizione dell'elettronica di controllo:



Modelli frigorifero a gradino

Fig. 41



Modelli standard

Fig. 42



Contatti circuito elettronico :

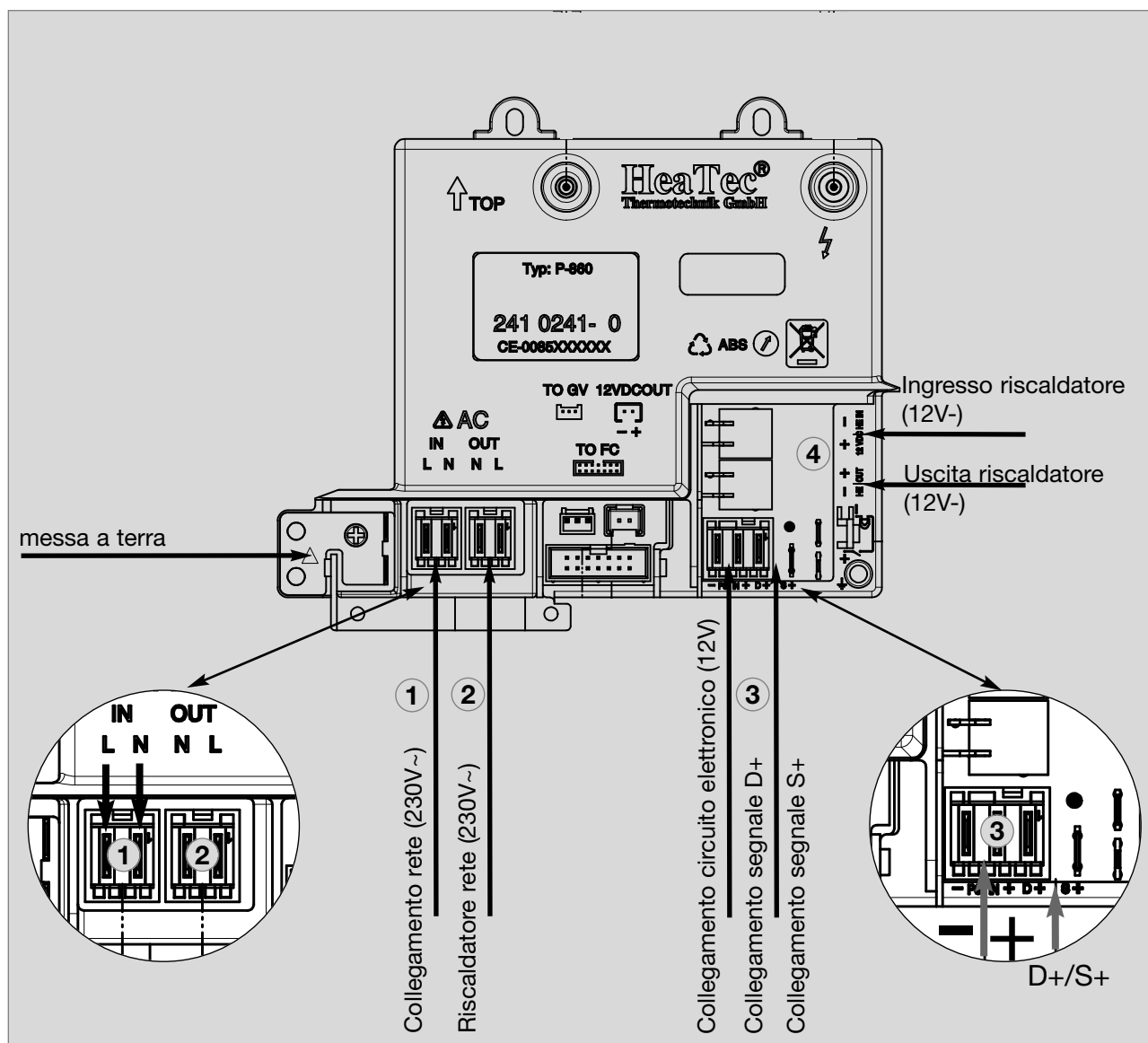


Fig. 43

Prese di corrente (Produttore: Stocko® )

- ① MF 9562-002-80E
- ② MF 9562-002-8 OC
- ③ a 3 poli con contatto D+: MF 9562-003-8 30 960-000-00  
a 2 poli: MF 9562-002-8 ON + spina piatta 6.3 x 0.8
- ④ MKH 5132-1-0-200

### 4.9.4 D+ e allacciamento solare (solo per i modelli AES)

#### Collegamento D+ :

Nella > **modalità automatica** < il sistema elettronico **AES** seleziona automaticamente il tipo di alimentazione più favorevole. Nella modalità automatica il sistema elettronico utilizza il segnale **D+** (dinamo +) della dinamo per il riconoscimento di **12 V CC**. Il funzionamento con il tipo di alimentazione a **12V CC** è selezionato soltanto quando il motore del veicolo è in funzione per evitare che la batteria si scarichi.

#### Collegamento S+ :

Come alternativa il tipo di alimentazione a **12 V CC** può essere alimentato per mezzo di un impianto solare del veicolo. L'impianto solare deve essere munito di un regolatore di carica solare con **uscita AES** (i regolatori di carica solare sono reperibili nei negozi specializzati). L'allacciamento **S+** (Solare +) deve essere collegato con il morsetto corrispondente al regolatore di carica solare (uscita AES). Il sistema elettronico utilizza il segnale **S+** del regolatore di carica solare per il riconoscimento di **12V CC solare**.

#### Sezione del cavo :

La connessione D+ e S+ non venga attraversata da corrente ad alta tensione; pertanto per questo tipo di collegamento non è necessario usare un cavo di sezione particolarmente grande (circa 1mm<sup>2</sup> è sufficiente).

### 4.9.5 Schemi elettrici

#### Schema elettrico RM(S) 8xx0 :

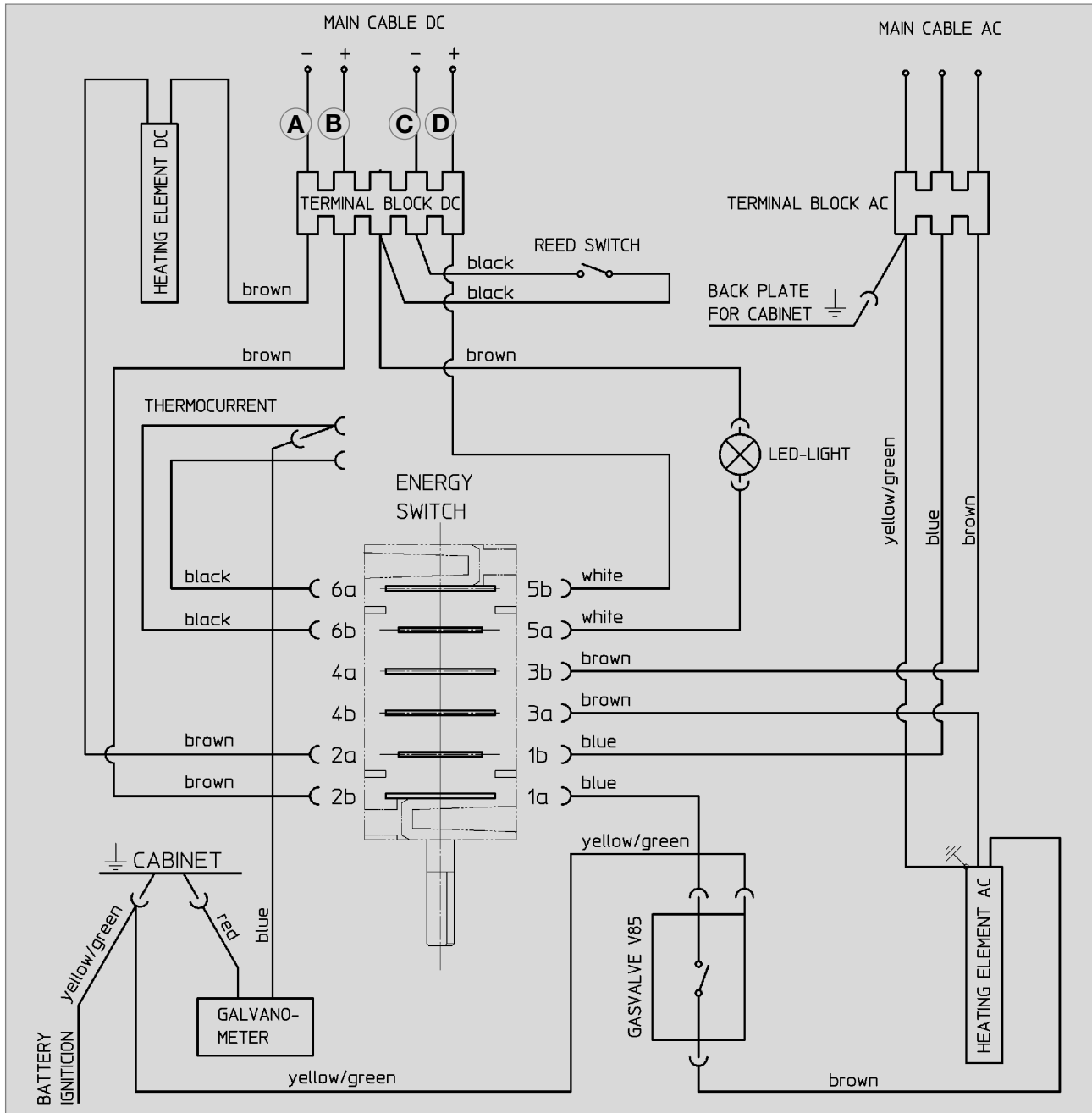


Fig. 44

Schema elettrico RM(S) 8xx1, RM(S) 8xx5 :

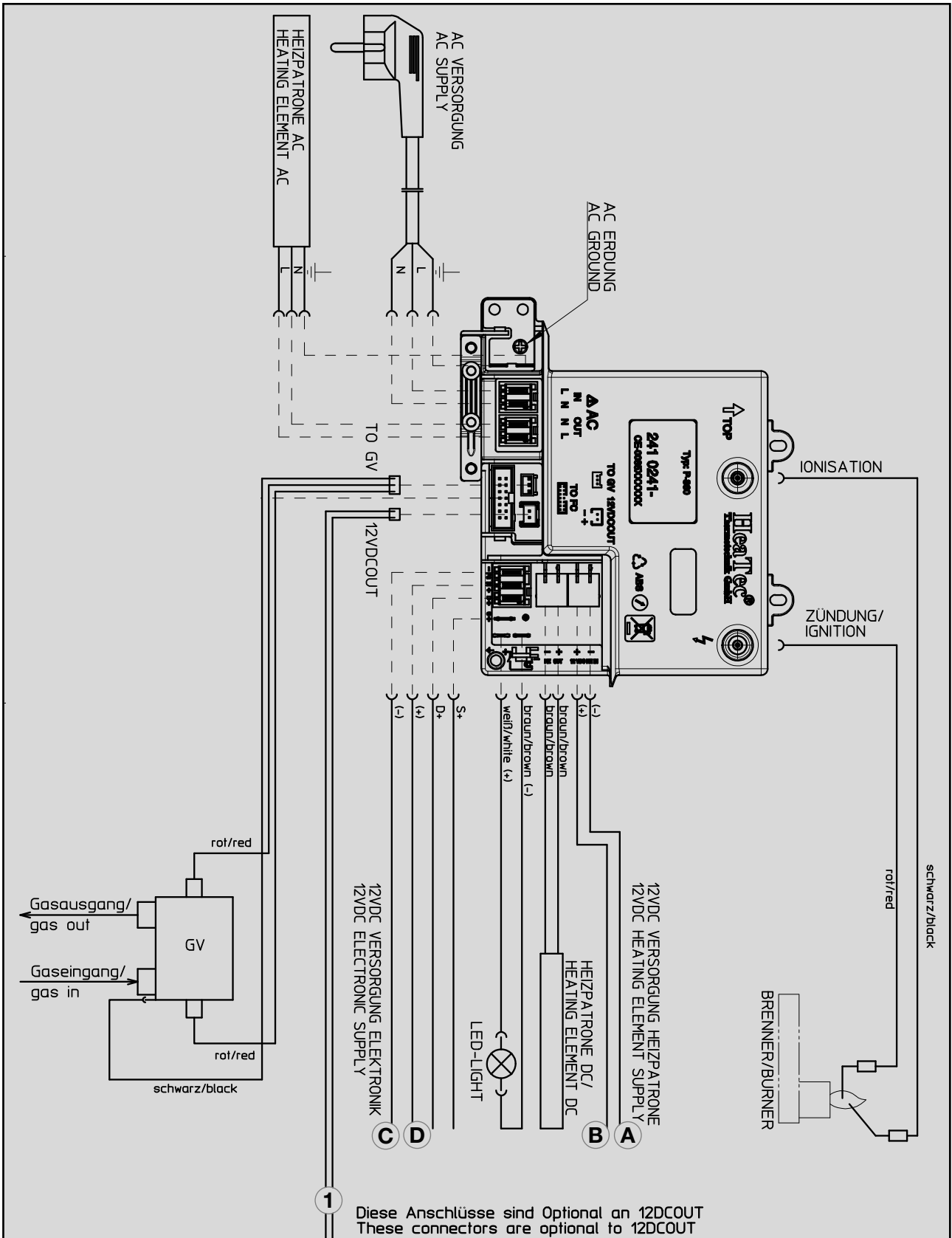


Fig. 45

## Ventilatore (opzionale) RM(S) 8xx1, RM(S) 8xx5:

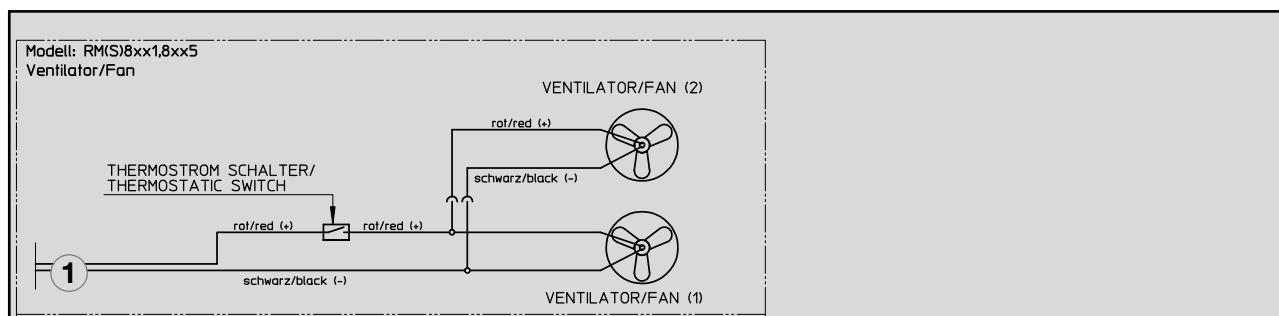


Fig. 46

- ① = 12V OUT / Alimentazione a 12V per collegamenti ottimali
- Ⓐ = massa riscaldatore CC
- Ⓑ = più riscaldatore CC
- Ⓒ = massa sistema elettronico
- Ⓓ = più sistema elettronico



**Per il funzionamento dei tipi di apparecchio MES e AES è indispensabile collegare un'alimentazione continua a 12V sui morsetti C/D. (alimentazione continua per il sistema elettronico funzionale).**

### Legenda

|                           |   |
|---------------------------|---|
| Connecting cable DC       | Cavo d'allacciamento CC                     |
| Mains cable AC            | Cavo d'allacciamento alla rete              |
| Terminal block            | Morsettiera                                 |
| GROUND                    | Collegamento a terra                        |
| Heating element DC        | Riscaldatore CC                             |
| Heating element AC        | Riscaldatore CA                             |
| Frame heater              | Riscaldamento telaio                        |
| Reed-switch               | Interruttore illuminazione LED              |
| Thermal switch            | Interruttore termico                        |
| Temperature sensor        | Sensore termico                             |
| Electronic                | Sistema elettronico                         |
| Burner control device GFA | Interruttore automatico combustione gas GFA |
| Gas valve GV 100          | Valvola a gas GV 100                        |
| Gas burner                | Brucciato gas                               |
| violet                    | viola                                       |
| red                       | rosso                                       |
| white / red               | bianco/rosso                                |
| brown                     | marrone                                     |
| black                     | nero  |
| white                     | bianco                                      |
| yellow/green              | giallo/verde                                |
| blue                      | blu   |





**GERMANY****Dometic WAECO International GmbH**

Hollefeldstraße 63 · D-48282 Emsdetten

☎ +49 (0) 2572 879-195 · 📠 +49 (0) 2572 879-322

Mail: info@dometic-waeco.de

**dometic.com****AUSTRALIA****Dometic Australia Pty. Ltd.**1 John Duncan Court  
Varsity Lakes QLD 4227

☎ 1800 212121

☎ +61 7 55076001

Mail: sales@dometic.com.au

**AUSTRIA****Dometic Austria GmbH**

Neudorferstraße 108

A-2353 Guntramsdorf

☎ +43 2236 908070

☎ +43 2236 90807060

Mail: info@dometic.at

**BENELUX****Dometic Branch Office Belgium**

Zincstraat 3

B-1500 Halle

☎ +32 2 3598040

☎ +32 2 3598050

Mail: info@dometic.be

**BRAZIL****Dometic DO Brasil LTDA**

Avenida Paulista 1754, conj. 111

SP 01310-920 Sao Paulo

☎ +55 11 3251 3352

☎ +55 11 3251 3362

Mail: info@dometic.com.br

**DENMARK****Dometic Denmark A/S**

Nordensvej 15, Taulov

DK-7000 Fredericia

☎ +45 75585966

☎ +45 75586307

Mail: info@dometic.dk

**FINLAND****Dometic Finland OY**

Mestarintie 4

FIN-01730 Vantaa

☎ +358 20 7413220

☎ +358 9 7593700

Mail: info@dometic.fi

**FRANCE****Dometic SAS**

ZA du Pré de la Dame Jeanne

B.P. 5

F-60128 Plailly

☎ +33 3 44633525

☎ +33 3 44633518

Mail: vehiculesdeloisirs@dometic.fr

**HONG KONG****Dometic Group Asia Pacific**

Suites 2207-11 · 22/F · Tower 1

The Gateway · 25 Canton Road,

Tsim Sha Tsui · Kowloon

☎ +852 2 4611386

☎ +852 2 4665553

Mail: info@waeco.com.hk

**HUNGARY****Dometic Zrt. Sales Office**

Kerékgyártó u. 5.

H-1147 Budapest

☎ +36 1 468 4400

☎ +36 1 468 4401

Mail: budapest@dometic.hu

**ITALY****Dometic Italy S.r.l.**

Via Virgilio, 3

I-47122 Forlì (FC)

☎ +39 0543 754901

☎ +39 0543 754983

Mail: vendite@dometic.it

**JAPAN****Dometic KK**

Maekawa-Shibaura, Bldg. 2

2-13-9 Shibaura Minato-ku

Tokyo 108-0023

☎ +81 3 5445 3333

☎ +81 3 5445 3339

Mail: info@dometic.jp

**MEXICO****Dometic Mx, S. de R. L. de C. V.**

Circuito Médicos No. 6 Local 1

Colonia Ciudad Satélite

CP 53100 Naucalpan de Juárez

Estado de México

☎ +52 55 5374 4108

☎ +52 55 5393 4683

Mail: info@dometic.com.mx

**NETHERLANDS****Dometic Benelux B.V.**

Ecustraat 3

NL-4879 NP Etten-Leur

☎ +31 76 5029000

☎ +31 76 5029019

Mail: info@dometic.nl

**NEW ZEALAND****Dometic New Zealand Ltd.**

PO Box 12011

Penrose

Auckland 1642

☎ +64 9 622 1490

☎ +64 9 622 1573

Mail: customerservices@dometic.co.nz

**NORWAY****Dometic Norway AS**

Østerøyveien 46

N-3232 Sandefjord

☎ +47 33428450

☎ +47 33428459

Mail: firmapost@dometic.no

**POLAND****Dometic Poland Sp. z o.o.**

Ul. Puławska 435A

PL-02-801 Warszawa

☎ +48 22 414 3200

☎ +48 22 414 3201

Mail: info@dometic.pl

**PORTUGAL****Dometic Spain, S.L.**

Branch Office em Portugal

Rot. de São Gonçalo nº 1 – Esc. 12

2775-399 Carcavelos

☎ +351 219 244 173

☎ +351 219 243 206

Mail: info@dometic.pt

**RUSSIA****Dometic RUS LLC**

Komsomolskaya square 6-1

RU-107140 Moscow

☎ +7 495 780 79 39

☎ +7 495 916 56 53

Mail: info@dometic.ru

**SINGAPORE****Dometic Pte Ltd**

18 Boon Lay Way 06-140 Trade Hub 21

Singapore 609966

☎ +65 6795 3177

☎ +65 6862 6620

Mail: dometic@dometic.com.sg

**SLOVAKIA****Dometic Slovakia s.r.o. Sales Office Bratislava**

Nádražná 34/A

900 28 Ivánka pri Dunaji

☎/☎ +421 2 45 529 680

Mail: bratislava@dometic.com

**SOUTH AFRICA****Dometic (Pty) Ltd.****Regional Office****South Africa & Sub-Saharan Africa**

2 Avalon Road

West Lake View Ext 11

Modderfontein 1645

Johannesburg

☎ +27 11 4504978

☎ +27 11 4504976

Mail: info@dometic.co.za

**SPAIN****Dometic Spain S.L.**

Avda. Sierra del Guadarrama, 16

E-28691 Villanueva de la Cañada

Madrid

☎ +34 902 111 042

☎ +34 900 100 245

Mail: info@dometic.es

**SWEDEN****Dometic Scandinavia AB**

Gustaf Melins gata 7

S-42131 Västra Frölunda

☎ +46 31 7341100

☎ +46 31 7341101

Mail: info@dometicgroup.se

**SWITZERLAND****Dometic Switzerland AG**

Riedackerstrasse 7a

CH-8153 Rümlang

☎ +41 44 8187171

☎ +41 44 8187191

Mail: info@dometic.ch

**UNITED ARAB EMIRATES****Dometic Middle East FZCO**

P. O. Box 17860

S-D 6, Jebel Ali Freezone

Dubai

☎ +971 4 883 3858

☎ +971 4 883 3868

Mail: info@dometic.ae

**UNITED KINGDOM****Dometic UK Ltd.**

Dometic House, The Brewery

Blandford St. Mary

Dorset DT11 9LS

☎ +44 344 626 0133

☎ +44 344 626 0143

Mail: customerservices@dometic.co.uk

**USA****Dometic RV Division**

1120 North Main Street

Elkhart, IN 46515

☎ +1 574-264-2131