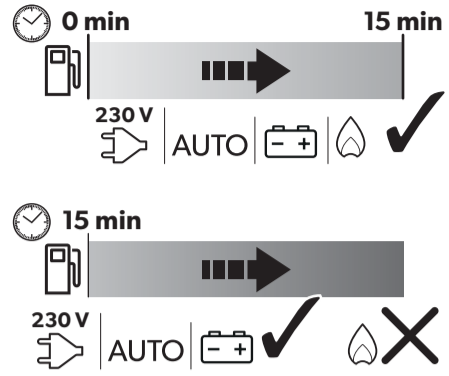
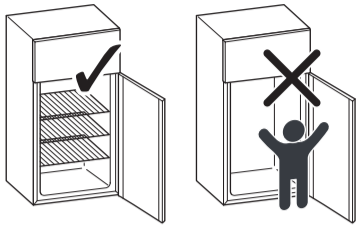
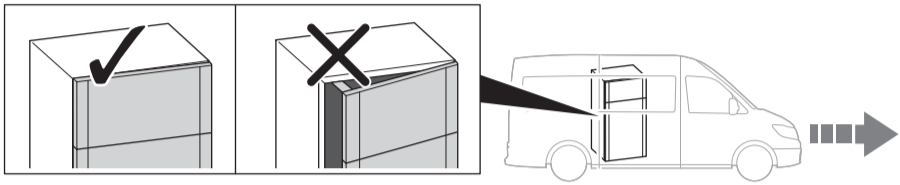


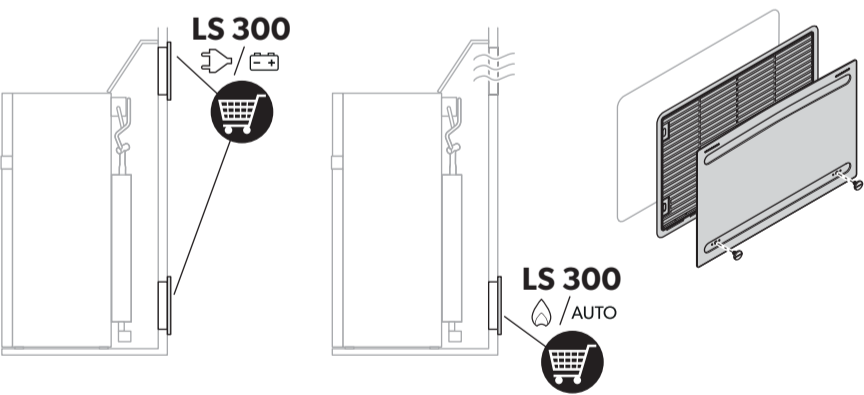
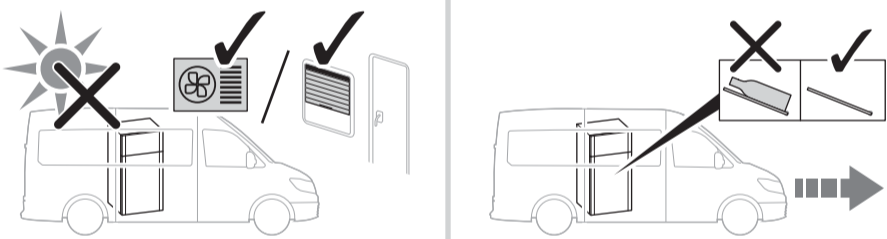
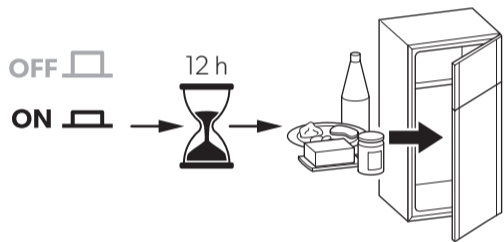
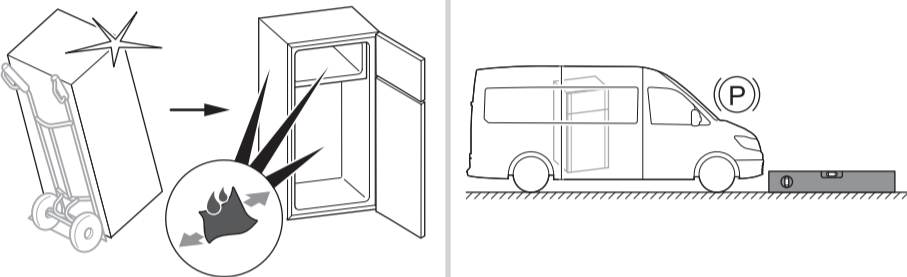
WARNING



CAUTION



NOTICE

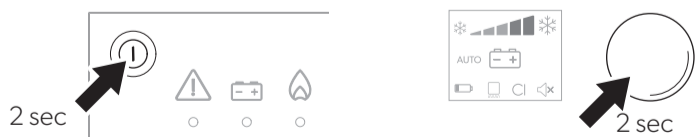


ON

1

RMD 10.5/RMD 10.5X

RMD 10.5T/RMD 10.5XT

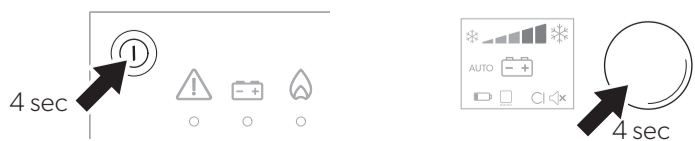


OFF

2

RMD 10.5/RMD 10.5X

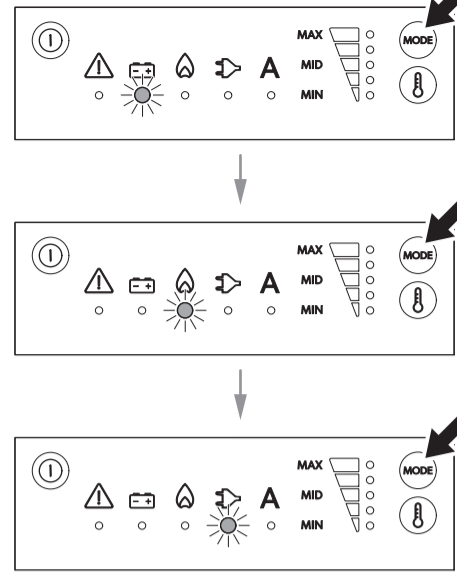
RMD 10.5T/RMD 10.5XT



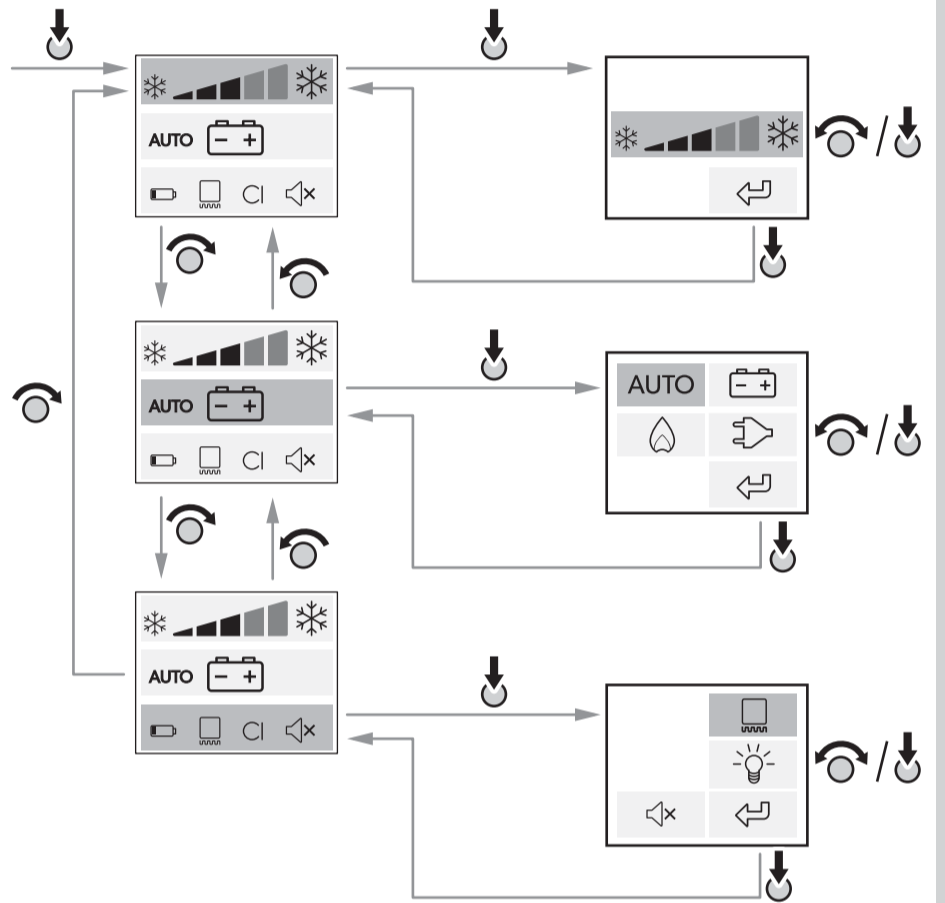
Operation

3

RMD 10.5/RMD 10.5X



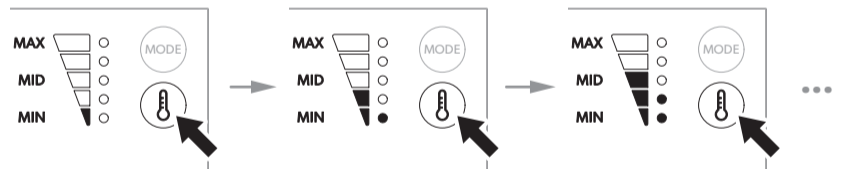
RMD 10.5T/RMD 10.5XT



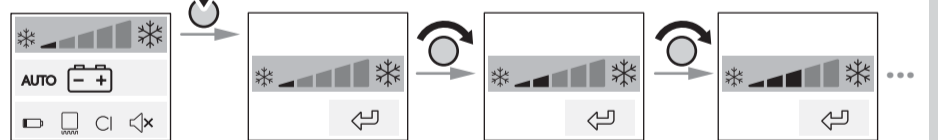
Cooling Capacity

4

RMD 10.5/RMD 10.5X

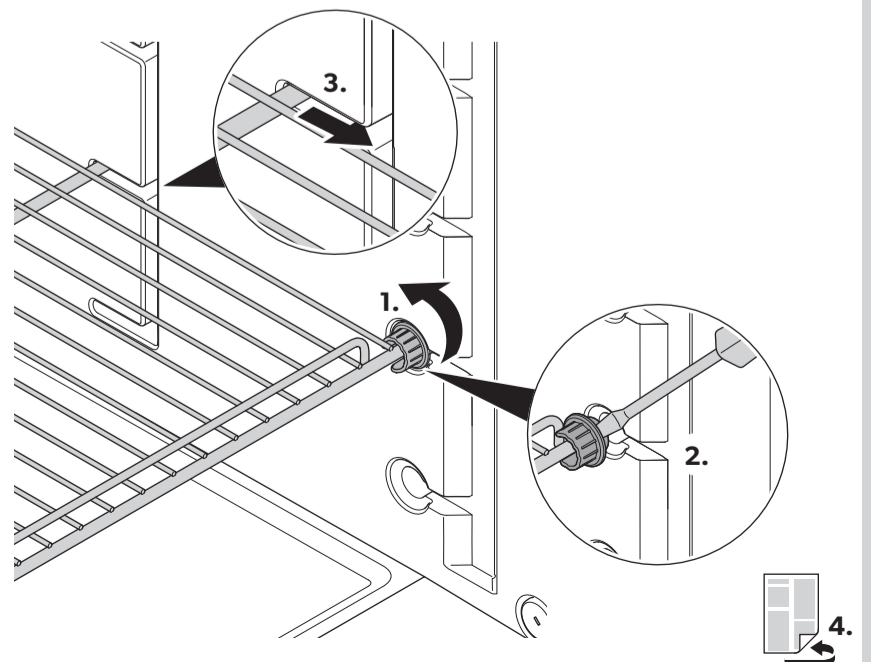


RMD 10.5T/RMD 10.5XT

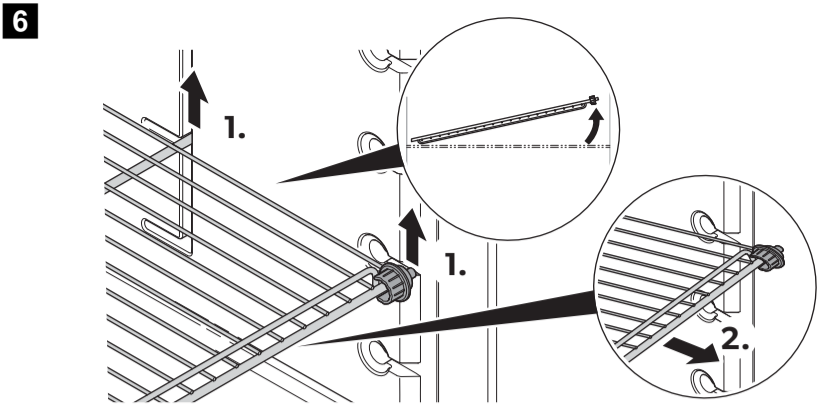


Shelves

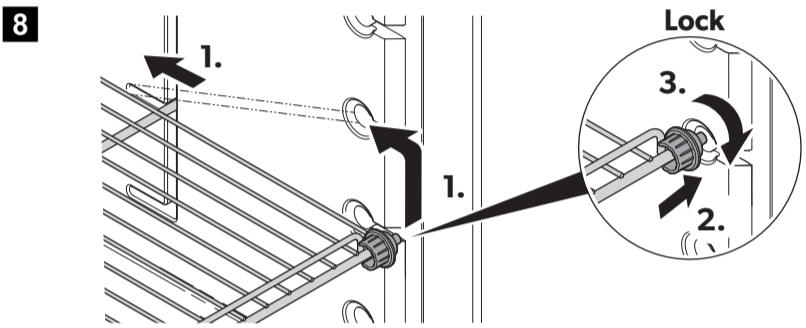
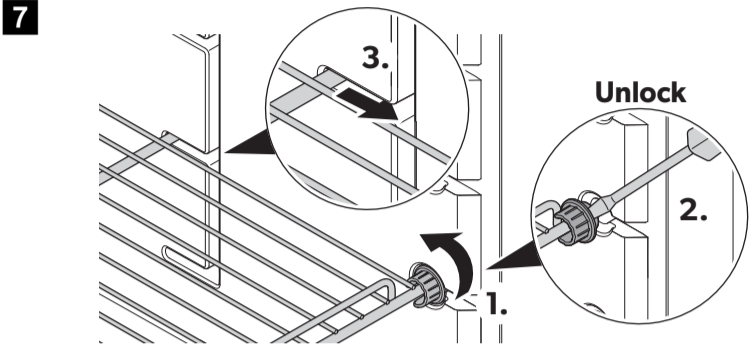
5



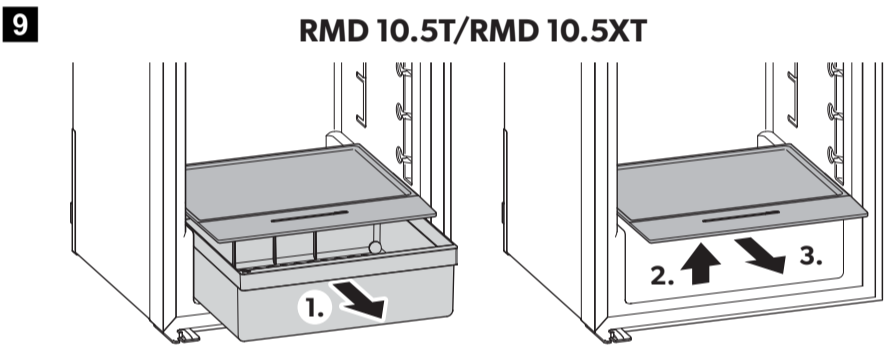
Shelves



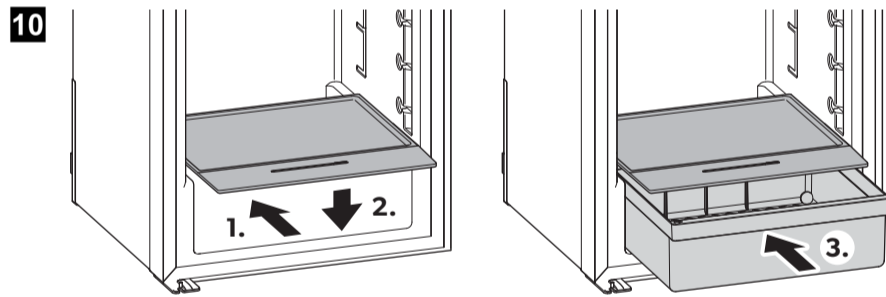
Shelf Angle



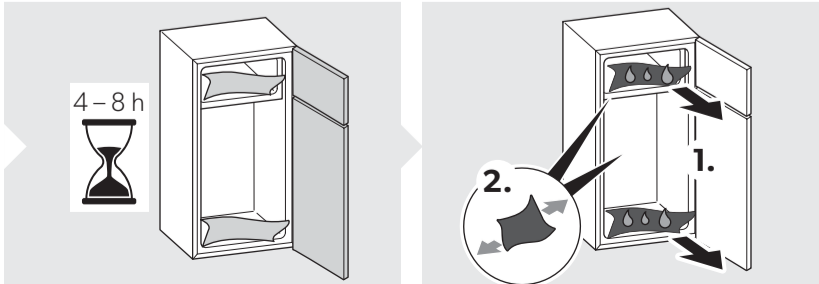
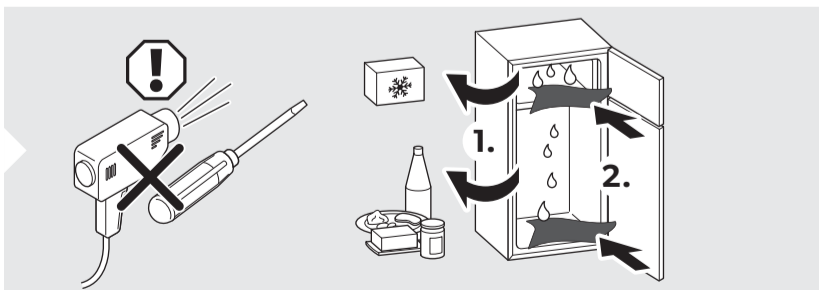
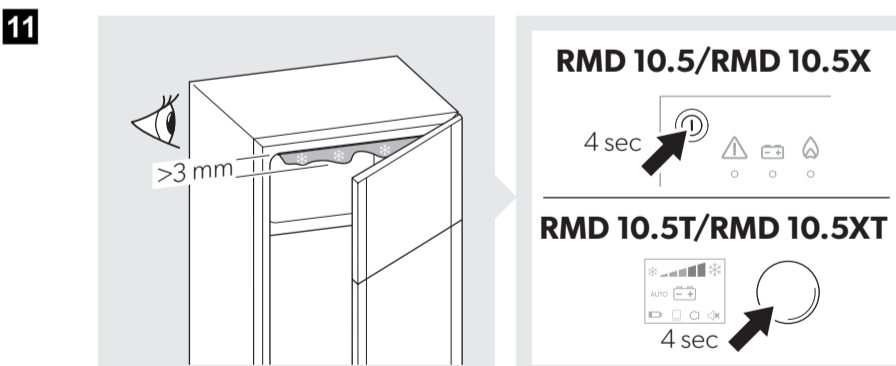
VG Fresh Base Out



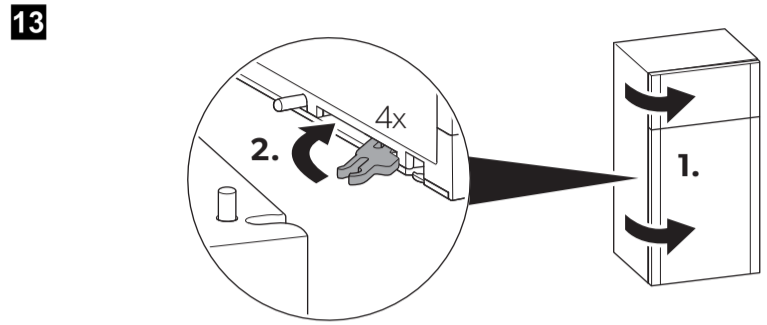
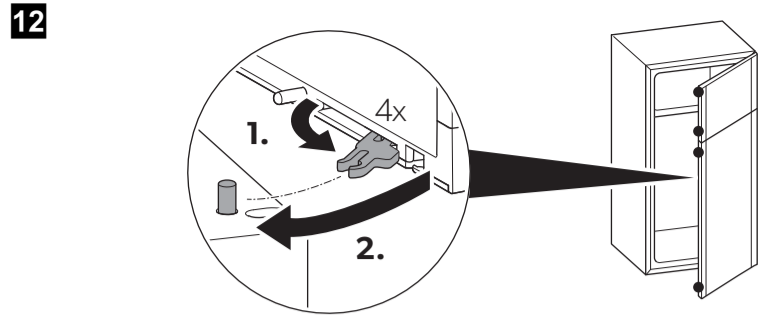
VG Fresh Base In



Defrost



Winter Position



Cleaning Gas Burner

