

↗ DOMETIC

REFRIGERATION REFRIGERATORS



**RMD8501, RMD8505, RMD8551,
RMD8555**

EN

Absorber refrigerator
Operating manual

ES

Nevera con extractor
Instrucciones de uso

ENGLISH

Dometic Group is a customer-driven, world-leading provider of leisure products for the RV, automotive, truck and marine markets. We supply the industry and aftermarket with a complete range of air conditioners, refrigerators, awnings, cookers, sanitation systems, lighting, mobile power equipment, comfort and safety solutions, windows, doors and other equipment that make life more comfortable away from home.

Dometic Group supplies a wide range of workshop equipment for service and maintenance of built-in air conditioners. Dometic Group also provides specially designed refrigerators for hotel rooms, offices, wine storage and transport and storage of medical products.

Our products are sold in almost 100 countries and are produced mainly in wholly-owned production facilities around the world.

ESPAÑOL

El Grupo Dometic es una empresa orientada al cliente, líder mundial en el suministro de productos innovadores para caravanas, autocaravanas, automóviles, camiones y la industria náutica. Proveemos a fabricantes y a distribuidores con una completa gama de aires acondicionados, frigoríficos, toldos, cocinas, sistemas sanitarios, iluminación, equipos móviles de abastecimiento energético, soluciones para mayor seguridad y confort, ventanas, puertas y demás equipamiento para hacerle la vida fuera del hogar más cómoda. El Grupo Dometic suministra también equipamiento para talleres para el servicio y mantenimiento de aire acondicionado integrado.

El Grupo Dometic ofrece así mismo frigoríficos específicamente diseñados para habitaciones de hotel y oficinas, para el transporte y conservación de productos médicos así como bodegas para vinos.

Nuestros productos se venden en cerca de 100 países y se producen principalmente en nuestras fábricas ubicadas alrededor del mundo.

Operating Instructions

Absorption Refrigerator for Recreation Vehicles

RMD 8501 RMD 8505

RMD 8551 RMD 8555

Record for future reference:

Model number
Product number
Serial number



N 1-2

MBA 04/2012



Table of contents

1.0	General	4
1.1	Introduction	4
1.2	Guide to these operating instructions	4
1.3	Copyright protection	4
1.4	Explanation of symbols used in this manual	4
1.5	Warranty	5
1.6	Limitation of liability	5
1.7	Customer services	5
1.8	Spare parts	6
1.9	Environmental notices	6
1.9.1	Disposal	6
1.9.2	Energy-saving-tips	6
1.10	Declaration of conformity	6
2.0	Safety instructions	7
2.1	Application according to regulations	7
2.2	User's responsibility	7
2.3	Protection of children when disposing of the equipment	7
2.4	Working upon and checking the refrigerator	7
2.5	Information on coolant	8
2.6	Operating the refrigerator with gas	8
2.7	Safety instructions when storing foodstuffs	9
3.0	Description of model	10
3.1	Model identification	10
3.2	Refrigerator rating plate	10
3.3	Technical data	11
3.4	Description of refrigerator	12
4.0	Refrigerator operation	13
4.1	Cleaning	13
4.2	Maintenance	13
4.3	Electrical operation	13
4.4	Gas operation (Liquid gas)	14
4.5	Explanation of operating controls	14
4.6	RMD 8xx1 models	16
4.6.1	Electrical operation	16
4.6.2	Gas operation	16
4.6.3	Setting of cooling compartment temperature	16
4.7	RMD 8xx5 models	16
4.7.1	Manual operation	16
4.7.2	Automatic operation	17
4.7.3	Setting of cooling compartment temperature	17
4.7.4	Refuelling while in automatic mode operation	17
4.7.5	Additional features	17
4.8	Gas operation with internal batteries (optional)	18
4.8.1	Inserting / changing the batteries	18
4.9	Frameheating	19
4.10	Door locking	19
4.10.1	Fastening and releasing the door lock hook when parking the vehicle	20
4.11	Lighting	20
4.12	Positioning the storage racks	20
4.13	Storing food and making ice cubes	21

4.13.1	Storing products in the cooling compartment	21
4.13.2	Storing products in the freezer compartment	21
4.13.3	Making ice cubes	21
4.13.4	Refrigerator compartments	22
4.14	Shutting off the refrigerator	22
4.15	Defrosting	22
4.16	Winter operation	23
4.17	Changing the decor panel	24
4.18	Troubleshooting	25
4.19	Information on failure display and trouble-shooting	26
4.19.1	Status indicators	26

Dometic GmbH
In der Steinwiese 16
D-57074 Siegen

www.dometic.com

1.0 General

1.1 Introduction

You have made an excellent choice in selecting the **Dometic** Absorption Refrigerator. We are sure that you will be satisfied with your new refrigerator in all respects. The refrigerator, which works silently, meets high quality standards and guarantees the efficient utilisation of resources and energy throughout its entire life cycle, during manufacture, in use and when being disposed of.

1.2 Guide to these operating instructions

Before you start using the refrigerator, please read the operating instructions carefully.

These instructions provide you with the necessary guidance for the proper use of your refrigerator. **Observe in particular the safety instructions.** Observation of the instructions and handling recommendations is important for dealing with the refrigerator safely and for protecting you from injury and the refrigerator from damage. You must understand what you have read before you carry out a task.

Keep these instructions in a safe place close to the refrigerator so they may be referred to at any time.

1.3 Copyright protection

The information, texts and illustrations in these instructions are copyright protected and are subject to industrial property rights. No part of these instructions may be reproduced, copied or utilised in any other way without written authorisation by Dometic GmbH, Siegen.

1.4 Explanation of symbols used in this manual

Warning notices

Warning notices are identified by symbols. A supplementary text gives you an explanation of the degree of danger.

Observe these warning notices rigorously. You will thus protect yourself and other people from injury, and the appliance from damage.



DANGER!

DANGER indicates an imminent hazardous situation which, if not avoided, could result in death or serious injury.



WARNING!

WARNING indicates a potentially hazardous situation which, if not avoided, could result in death or serious injury



CAUTION!

WARNING indicates a potentially hazardous situation which, if not avoided, could result in death or serious injury

CAUTION!

CAUTION (used without the safety alert symbol) indicates a potentially hazardous situation which, if not avoided, may result in damage to the appliance.

Information



INFORMATION gives you supplementary and useful guidance when dealing with your refrigerator.

Environmental Tips



ENVIRONMENTAL TIPS gives you useful guidance for saving energy and disposal of the appliance.

1.5 Warranty

Warranty arrangements are in accordance with EC Directive 44/1999/CE and the normal conditions applicable for the country concerned. For warranty or other maintenance, please contact our customer services department. Any damage due to improper use is not covered by the warranty. The warranty does not cover any modifications to the appliance or the use of **non-original Dometic parts**. The warranty does not apply if the installation and operating instructions are not adhered to and no liability shall be entertained.

1.6 Limitation of liability

All information and guidance in these operating instructions were prepared after taking into consideration the applicable standards and regulations as well as the current state of the art. **Dometic** reserves the right to make changes at any time which are deemed to be in the interest of improving the product and safety.

Dometic will assume no liability for damage in the case of :

- non-observation of the operating instructions
- application not in accordance with the regulations or provisions
- use of non-original spare parts
- modifications and interferences to the appliance
- effect of environmental influences, such as
 - temperature fluctuations
 - humidity

1.7 Customer services

Dometic offers a pan-European customer service network. Find your authorised customer service centre by calling the phone number indicated in the EuroService Network book, **EuroService Network** - which accompanies every refrigerator. You can also obtain the address information of the nearest customer service from **www.dometic.com**. When contacting Dometic Customer Services, please state the model, product number and serial number together with the MLC code, if applicable. You will find this information on the rating plate inside the refrigerator. We recommend that you note this data in the field provided on the front page of this operation manual.

2.0 Safety instructions

2.1 Application according to regulations

This refrigerator is designed for installation in recreation vehicles such as caravans or motorhomes. The appliance has been type-approval tested for this application in accordance with the EC Gas Directive.

The refrigerator is to be used solely for storing foodstuffs.



WARNING!

The refrigerator is not suitable for the proper storage of medication. Please observe in addition the instructions in the medication package inserts.

2.2 User's responsibility

Anyone operating the refrigerator must be familiar with the safe handling and understand the advice in these operating instructions.

This appliance is not intended for use by persons (including children) with reduced physical, sensory or mental capabilities, or lack of experience and knowledge, unless they are supervised or have been given instruction concerning use of the appliance by a person responsible for their safety. Children should be supervised to ensure that they do not play with the appliance. Cleaning and user maintenance shall not be made by children.

[EN 60335-2-24, 7.12]

2.3 Protection of children when disposing of the equipment



WARNING!

When disposing of the refrigerator, detach all refrigerator doors and leave the storage racks in the refrigerator. In this way inadvertent entrapment and suffocation is prevented.

2.4 Working upon and checking the refrigerator



WARNING!

Work on gas equipment, exhaust system and electrical facilities must be carried out by authorised personnel only. Substantial damage to property and/or injury to persons can arise through unprofessional procedures.



DANGER!



Never use an unshielded flame to check gas bearing parts and pipes for leakage!

There is a danger of fire or explosion.



WARNING!

Never open the absorber cooling unit! It is under high pressure.

There is a danger of injury!

2.5 Information on coolant

Ammonia is used as a coolant.

This is a natural compound also used in household cleaning agents (1 litre of Salmiak cleaner contains up to 200g of ammonia - about twice as much as is used in the refrigerator). Sodium chromate is used for corrosion protection (1.8% by weight of the solvent).

In the event of leakage (easily identifiable from the strong odour), proceed as follows:

- Switch off the appliance.
- Air the room thoroughly.
- Inform authorised customer services.



For your safety it was ascertained in an expert's report that no impairment of health exists when the coolant is discharged.

2.6 Operating the refrigerator with gas

It is imperative that the operating pressure corresponds to the data specified on the rating plate of the appliance. Compare the operating pressure of the rating plate with the data specified on the pressure reducing valve of the liquid gas cylinder.



WARNING!

Operating the appliance with gas is not permitted

- **at petrol stations**
- **on ferry boats**
- **while transporting the caravan/motor-home by a transporter or breakdown vehicle.**

There is the danger of fire!

Leave the equipment switched off.

If you smell gas:

- Open all windows and leave the room.
- Do not operate any electrical equipment and prevent the use of naked flames.
- Do not operate any electrical equipment and prevent the use of naked flames.
- Contact authorised specialist personnel* for advice.

*** authorised specialist personnel**

Authorised specialist personnel are accredited experts who are able, by virtue of their training and knowledge, to vouch that the inspection and repair work has been carried out properly.

2.7 Safety instructions when storing foodstuffs

No refrigerator of any kind can improve the quality of the food; refrigerators can only maintain the food's quality for a short duration as from the time of storing it.

Please observe the following particular conditions for storing food in a refrigerator that is built into a vehicle:

- A change in the climatic conditions such as temperature fluctuations
- High temperatures inside the vehicle when it is closed and parked in direct sunlight (temperatures are possible up to 50°C)
- Use of the refrigerator during travel with the power supply of 12V DC
- A refrigerator built in behind a window and exposed to direct sunlight
- Storing the products too soon, i.e. shortly after starting up the appliance for use

Under these particular conditions the refrigerator cannot guarantee reaching the temperature needed for perishables.

Perishables include all products with a stipulated use-by date and a minimum storage temperature of +4°C or less, especially for meat, poultry, fish, sausages, pre-packed foods.

- Pack raw and cooked foods separately (e.g. in containers, aluminium foil, etc.).
- Only remove the outside packaging of single packs if all the necessary information, e.g. the use-by date, can also be read on the single packs.
- Do not leave cooled goods outside the refrigerator for too long.
- Place the foods with the next use-by date at the front, accordingly.
- Pack away any left-over food and eat at the first opportunity.
- Wash your hands before and after handling any food.
- Regularly clean the inside of the refrigerator.

Please observe the instructions and information regarding the use-by date on the outside packaging of the food.

Please observe section "4.1 Cleaning" of this instruction.



The cooling unit's performance is influenced by ambient temperatures. Please select the medium setting for ambient temperatures between +15°C and +25°C (refer to *Setting of cooling compartment temperature*). The unit operates within its optimum performance range.

Dometic refrigerators work according to the absorption principle. For physical reasons, an absorption system responds slowly to changes made by the thermostat controller, by loss of cooling energy through opening the door or during storing food. The devices meet the cooling performance requirements of the Climatic Class SN acc. to EN/ISO 7371 in the temperature range of +10°C to +32°C ambient temperature.

For temperatures below +10°C, winter covers should be installed. For ambient temperatures exceeding +32°C for a longer period of time, it is recommended installing Dometic additional fan (item no. 241 2985 - 00).

3.3 Technical data

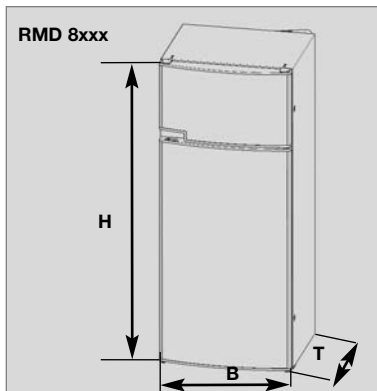


Fig. 2

Model	Dimensions H x W x D (mm) Depth incl. door	Gross capacity		Rating details mains/battery	Consumption * electricity/gas over 24hrs	Net weight	Ignition	
		with freezer compartment	without freezer compartment				Piezo	Automat
RMD 8501	1245x523x567	160 /30 lit.		190 W / 170 W	ca.3,2 kWh / 380 g	40 kg		•
RMD 8505	1245x523x567	160 /30 lit.		190 W / 170 W	ca.3,2 kWh / 380 g	40 kg		•
RMD 8551	1245x523x622	190 /35 lit.		190 W / 170 W	ca.3,2 kWh / 380 g	41.5 kg		•
RMD 8555	1245x523x622	190 /35 lit.		190 W / 170 W	ca.3,2 kWh / 380 g	41.5 kg		•

Subject to technical changes.

*Average consumption measured at an average ambient temperature of 25°C in pursuance of ISO Standard.

3.4 Description of refrigerator

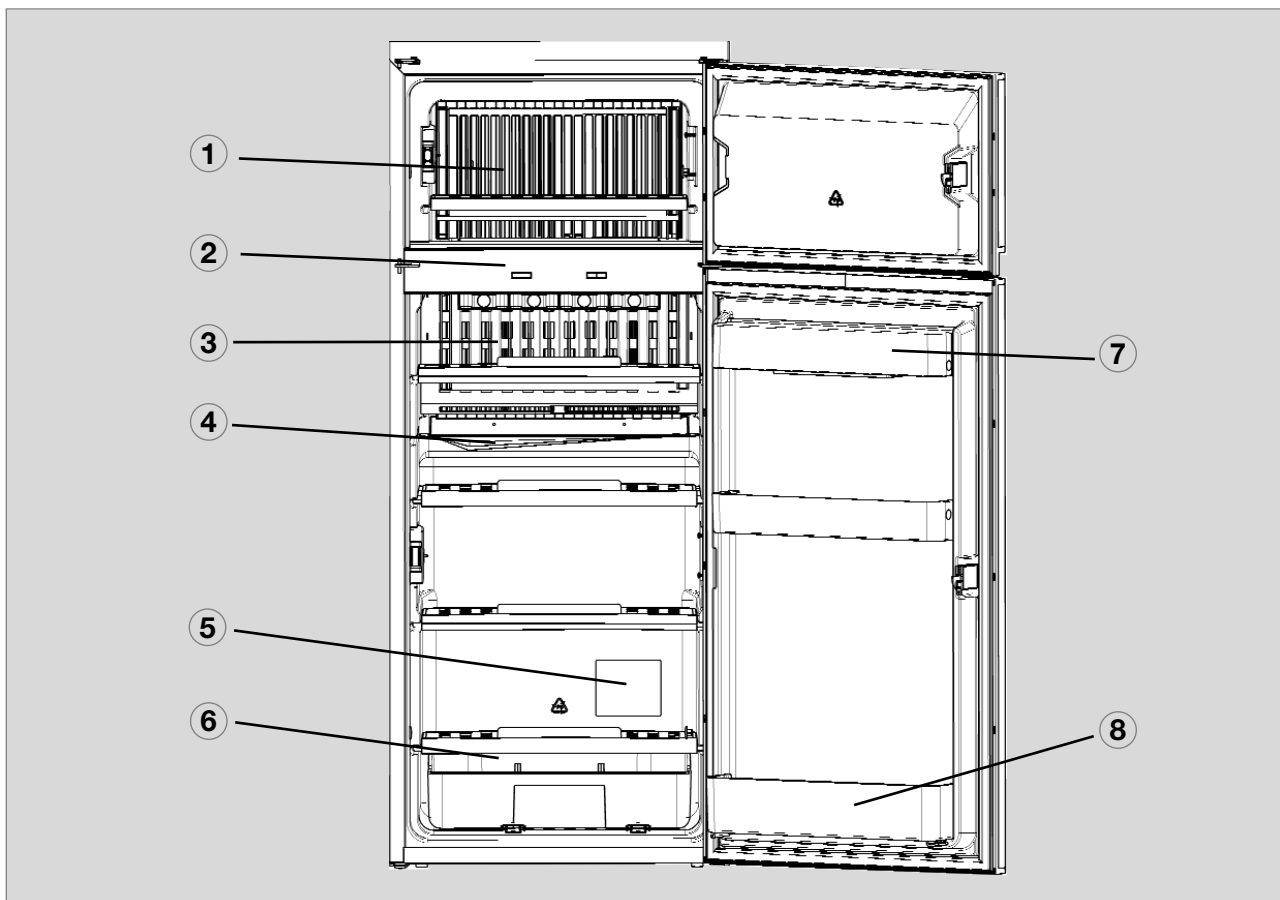


Fig. 3

- ① Freezer compartment
- ② Operating controls
- ③ Post-evaporator for cooling compartment
- ④ Condensation water drain channel
- ⑤ Data plate
- ⑥ Vegetable bin
- ⑦ Upper door shelf with flap, egg shelf available as option may be inserted
- ⑧ Lower door shelf with bottle holders

4.0 Refrigerator operation

The refrigerator is equipped to operate on three power modes:

- **Mains voltage (230V AC)**
- **Direct-current voltage (12V DC)**
- **Gas (liquid gas propane/butane)**

Select the desired power mode by the **energy selector button**. Appliances with automatic energy selection (**AES**) are additionally provided with "automatic mode" function. Then the AES system automatically selects the best energy source for each particular situation.



The cooling unit is silent in operation.

When the appliance is first put into operation, there may be a mild odour which will disappear after a few hours.

The refrigerator will take several hours to reach its operating temperature in the cooling compartment. The freezer compartment should be cold about one hour after switching on the refrigerator.

4.1 Cleaning

Before starting up the refrigerator, it is recommended that you clean it inside and repeat this at regular intervals.

Use a soft cloth and lukewarm water with a mild detergent. Then wipe out the appliance with clean water and dry thoroughly.

To avoid material alterations, do not use soap or hard, abrasive or soda-based cleaning agents. Do not allow the door seal to come into contact with oil or grease.

4.2 Maintenance

- In compliance with the applicable regulations, please note that the gas unit and the connected ventilation ducts must be checked by authorised technical personnel after first use and after every other year for compliance with the European Standard EN 1949. A test certificate has to be issued. **It is the user's responsibility to arrange this test.**

- **The gas burner must be inspected and cleaned as necessary at least once a year. When using liquefied petroleum gas (tank or refill cylinders) the maintenance interval is reduced to half-yearly or quarterly.**

Keep the evidence of maintenance work carried out on your refrigerator.

- **Work on gas and electrical equipment shall be carried out by qualified personnel only.**

It is recommended that this is carried out by an authorised customer services department.

We recommend maintenance following an extended shutdown of the vehicle. Please contact our customer services.

4.3 Electrical operation

12V-voltage (on-board power supply)

CAUTION!

The refrigerator should only be used in 12VDC-operation while the vehicle's engine is running, otherwise the on-board-battery would be discharged within a few hours!

Mains power (230V)

CAUTION!

This option should only be selected where the supply voltage of the connection for power supply corresponds to the value specified on the data plate. Any difference in values may result in damage the appliance.

4.4 Gas operation (Liquid gas)

- The refrigerator must be operated using liquid gas (propane, butane) (no natural gas or town gas).
- When using LPG gas, please consider that the burner needs cleaning at shorter intervals due to the gas combustion method (2 - 3 times per year recommended).
- In Europe, gas operation is permitted while travelling only on the condition that the gas system of the vehicle is equipped with a hose rupture protection. The national regulations of the respective country must be observed.
- For physical reasons, gas ignition faults could occur starting from an altitude above sea level of approx. 3280 ft. / 1000 m (**No malfunction!**)
- On the initial refrigerator start-up or after a cylinder change, air may be trapped in the gas line. To purge the air from the lines, switch on the refrigerator and any other gas appliances (e.g. stove) for a short time. The gas ignites without delay.
- Each refrigerator with manual ignition is equipped with an automatic flame safety valve which interrupts the gas supply automatically after approx. 30 seconds when the flame has extinguished.



WARNING!

As a basic rule, gas operation is prohibited in petrol stations!

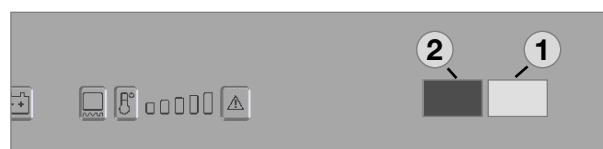
Prior to starting the refrigerator in gas mode :

- Open the gas cylinder valve.
- Open the shut-off valve for gas supply to the refrigerator.

4.5 Explanation of operating controls

The control panel buttons are not accessible when the refrigerator door is closed. Open the bottom door to reach the operating buttons.

Depending on the door opening direction, there are two LEDs on the left or right edge of the control panel. The outer LED **(1)** indicates that the refrigerator is operational (blue). The other LED **(2)** lights red in the event of a fault.



Indicator LEDs

Fig. 4

Refrigerators for **self-contained (gas) operation** contain two battery compartments in the control panel which are located on the left and right next to the button bar.



Operating controls without battery compartments

Fig. 5



Operating controls with battery compartments (L, R)

Fig. 6

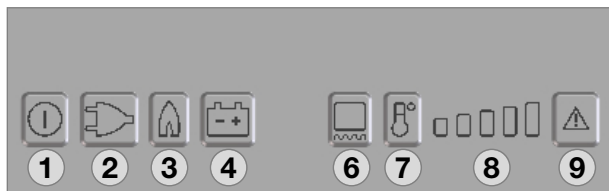
Manual energy selection / automatic ignition (RMD 8xx1) MES :

Fig. 7

- ① = Power **ON/OFF** switch
- ② = Energy selector button 230V ~
- ③ = Energy selector button GAS
- ④ = Energy selector button 12V =
- ⑥ = Frameheating
- ⑦ = Temperature level selection
- ⑧ = Temperature level display
- ⑨ = Indicator LED failure /
Reset button GAS FAILURE

Switching ON/OFF

- Switch ON by pressing button (1), 2s
- Switch OFF by pressing button (1), > 2s

230V AC operation

- Select "Mains voltage" by pressing button (2)
- Set temperature step by pressing button (7)

12V DC operation (vehicle's battery)

- Select "Battery voltage" by pressing button (4)
- Set temperature step by pressing button (7)

Gas operation

- Select "Gas" by pressing button (3)
- Set temperature step by pressing button (7)

Automatic energy selection / automatic ignition (RMD 8xx5) AES :

Fig. 8

- ① = Power **ON/OFF** switch
- ② = Energy selector button 230V ~
- ③ = Energy selector button GAS
- ④ = Energy selector button 12V =
- ⑤ = Selector button "AUTOMATIC"
- ⑥ = Frameheating
- ⑦ = Temperature level selection
- ⑧ = Temperature level display
- ⑨ = Indicator LED failure /
Reset button GAS FAILURE

Switching ON/OFF

- Switch ON by pressing button (1), 2s
- Switch OFF by pressing button (1), > 2s

Manual operation

- Select energy source with buttons (2,3,4)
- Set temperature step by pressing button (7)

Automatic operation

- Change over to "Automatic" with button (5)
Automatical energy selection (if available)
Sequence of priority:
 - 1.) Solar (12V -)
 - 2.) 230V ~
 - 3.) 12V -
 - 4.) Liquid gas
- Set temperature step by pressing button (7)

4.6 RMD 85x1 models

MES-appliances (manual energy selection)

4.6.1 Electrical operation

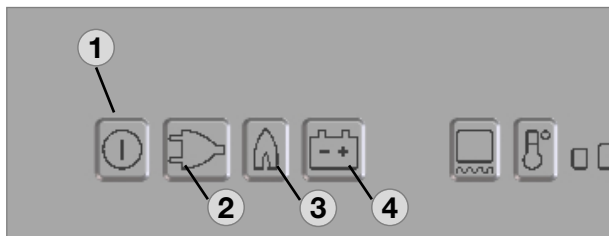


Fig. 9

To start the refrigerator, press button **(1)** for **2 seconds**.

The refrigerator starts with the last selected type of energy.

230V operation :

Press button **(2)** :



12V operation :

Press button **(4)** :



4.6.2 Gas operation

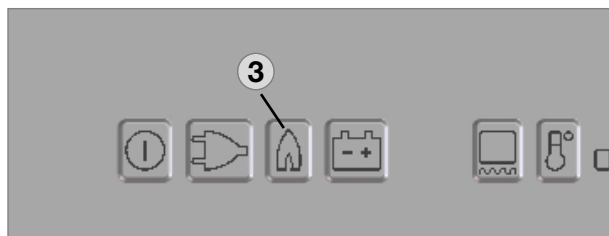


Fig. 10

Gas operation :

Press button **(3)** :



The ignition process is activated automatically by means of an automatic igniter.



The flame extinguishes after reaching the pre-set cooling compartment temperature and ignites again if the cooling compartment temperature increases again. If the flame is not lit after the first ignition attempt, the automatic igniter repeats the ignition twice (duration 30 s) at time intervals of 2 minutes. If the flame is not lit afterwards, a fault is indicated.

4.6.3 Setting of cooling compartment temperature

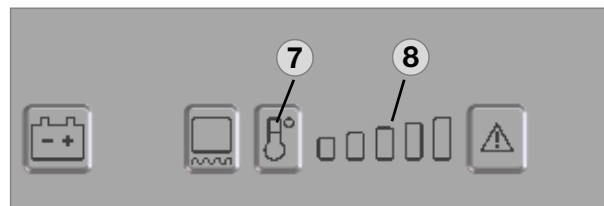


Fig. 11

Select the desired cooling compartment temperature by pressing button **(7)** .

The LED display **(8)** of the selected temperature setting is illuminated.

The scale starts with **MIN position** at the left LED position (small bar = highest temperature) and climbs up to **MAX position** at the right LED position (large bar = lowest temperature). Note: The temperature levels do not relate to absolute temperature values.

4.7 RMD 85x5 models

AES appliances

(manual + automatic energy selection)

4.7.1 Manual operation

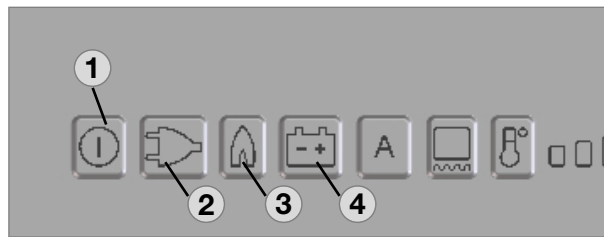


Fig. 12

To start the refrigerator, press button **(1)** for **2 seconds**.

The refrigerator starts with the last selected type of energy.

230V operation :

Press button **(2)** :



12V operation :

Press button **(4)** :



Gas operation :

Press button **(3)** :



4.7.2 Automatic operation

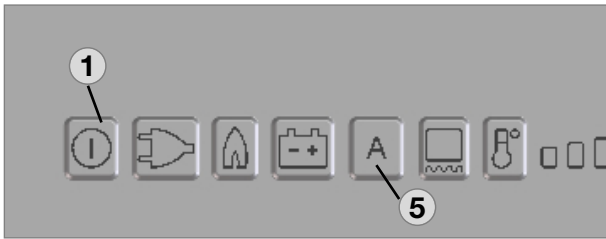


Fig. 13

To start the refrigerator, press button **(1)** for **2 seconds**.

The refrigerator starts with the last selected type of energy.

Automatic operation :

Press button**(5)** :

Upon switching on, the electronics **automatically** selects one of the three possible energy types: **230V - 12V - liquid gas**. The control electronics automatically ensures that the refrigerator is supplied with the optimum source of energy in each respective case.

Sequence of priority:

- 1.) Solar (12V -)
- 2.) 230V ~
- 3.) 12V -
- 4.) Liquid gas



If sufficient mains voltage is available (more than 195 V), this power source is selected as prime option. If a solar system capable of powering the refrigerator is installed, the solar 12V supply takes priority.

The 12V operation is otherwise only effective while the engine is running.

According to the sequence of priority the electronics selects **GAS** as energy source only, if both of the electrical energy source are not available.

Manual operation is possible at any time.

4.7.3 Setting of cooling compartment temperature

see point "4.6.3"

4.7.4 Refuelling while in AES mode operation



In order to prevent unintended switching to gas operation during refuelling, the electronic system starts gas operation of the refrigerator after the motor has been turned off for 15 minutes. During this period the appliance is ready for operation ("stand-by"). The temperature level LEDs do not light then while all other indicators remain active.



WARNING!

The use of unshielded flames is prohibited in petrol station environments.

Should the refuelling stop last longer than 15 minutes, the refrigerator has to be switched off or switched over to another energy type.

4.7.5 Additional features (MES / AES)

- The brightness of the display reduces after a few seconds if no other buttons are pressed. The indicator lights again if a button is pressed. Press the button again to activate the required function.
- Failures are indicated by flashing of the failure indicator LED.
- Should the door be kept open for too long (more than 2 minutes), an acoustic signal is initiated (pulsing whistle tone).
- Should the electronic control detect any failure, an acoustic signal will sound (pulsing whistle tone). At the same time the display starts flashing (for trouble-shooting, please refer to *section 4.19*).

4.9 Frame heating

All models are equipped with a frame heating (12VDC/3,5W) around the freezer compartment. During summer months with high temperatures and humidity the metal frame may have water droplets forming. To evaporate these droplets switch on the frame heating with button **(6)**.

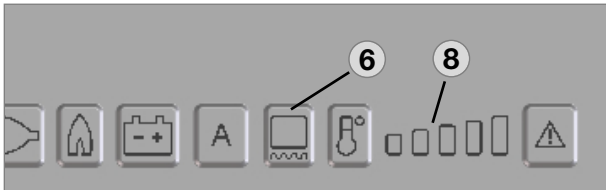


Fig. 18

The operating time of the frame heater can be set to 2 hours, 5 hours or continuous operation. After selecting the operating time using the button **(6)**, the temperature level indicator **(8)** is extinguished for a short time to show the set operating time for a few seconds. The display then returns to the temperature level indicator.

Operating time : 2 h

Press button **(6)** once Display



Operating time : 5 h

Press button **(6)** twice Display



Permanent operation

Press button **(6)** three times Display



CAUTION!

In order to prevent discharge of the on-board battery, change the frame heater from continuous operation to another operating time or switch it off.



The frame heater is active for 30 minutes after switching on and then switches itself off and on again at time intervals of 5 minutes.

4.10 Door locking



CAUTION!

As a basic rule, shut and lock the refrigerator before you start your journey!

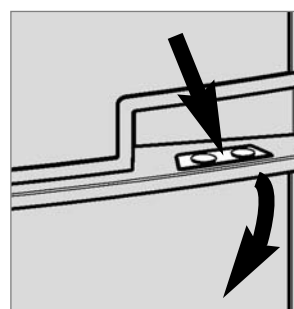


Fig. 19

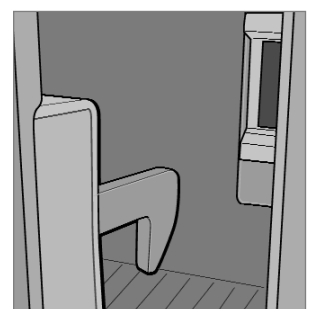


Fig. 20

Open the door by pressing the locking button and pull open (see Fig. 19).

Shut the door again by pushing it to close. The snapping into the lock can be heard.

While the vehicle is parked, the locking hook may be fixed to facilitate opening of the door (Fig 21-22).

4.10.1 Fastening and releasing the doorlock hook when parking the vehicle

If the vehicle is parked for a longer period of time, the locking hook may be clamped by means of a lockbar. The door may now be opened by just pulling it without need of pressing the locking button.

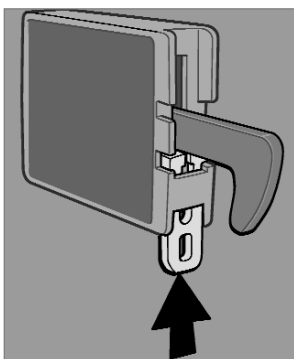


Fig. 21

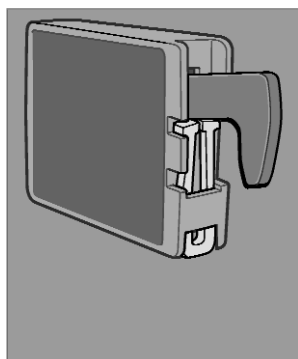


Fig. 22

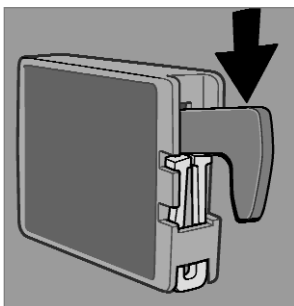


Fig. 23

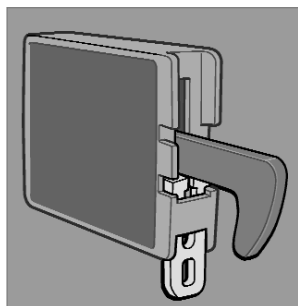


Fig. 24

4.11 Lighting

The interior lighting is controlled using a door contact. Should the door be kept open for more than 2 minutes, an acoustic signal is initiated (pulsing whistle tone).

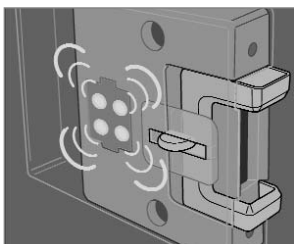


Fig. 25



In the case of a fault, contact an authorised Dometic customer service agent.

4.12 Positioning the storage racks

The storage racks may be pulled out by loosening the two locking devices (1) underneath. For loosening pull the slider to the middle, for fastening pull them sideways.

Two of the storage racks are secured. In this way inadvertent entrapment and suffocation of children is prevented, if the storage racks are removed. To protect children it must be avoided to create space for children in the cooling compartment.



WARNING!

Do not remove these storage racks. Thus children have no space to be entrapped in the refrigerator.

If it is necessary to remove these storage racks (i.e. for cleaning) loosen the locking pins (2) at first as shown, by means of a suitable screw driver.

Put in place the locking pins after removing the storage racks.

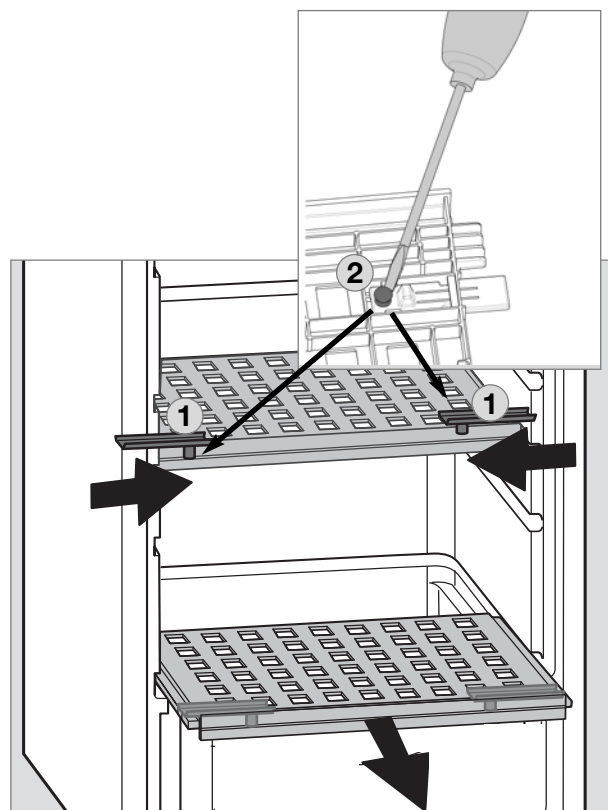


Fig. 26

4.13 Storing food and making ice cubes

4.13.1 Storing products in the cooling compartment

- Switch the refrigerator on approx. 12 hours before filling it.
- Always store pre-cooled foods in the refrigerator. Make sure that the food is well cooled when it is bought and also when transporting it. Use insulated cooling bags.
- Open the refrigerator door only for a short period of time when removing products.
- Products must be packed - best of all in closed containers, wrapped in aluminium foil or similar - and stored separately from each other, in order to prevent drying out or odours.
- Allow foods that have been warmed up to cool down before storing.
- Avoid storing products in the refrigerator that could emit volatile flammable gases.
- Do not overfill the storage grids and compartments to prevent obstructing the internal air circulation.
- Maintain a clearance of approx. 5 - 10 mm between chilled products and post-evaporator ("cooling fins").
- Do not expose the refrigerator to direct sunlight. Please bear in mind that the temperature inside a closed vehicle increases sharply if exposed to sunlight and that this can reduce the efficiency of the refrigerator.
- Ensure that air circulation of the cooling unit is not obstructed. Keep the ventilation grilles free from obstructions.

4.13.2 Storing products in the freezer compartment

- Do not keep carbonated drinks in the freezer.

- The freezer compartment is suitable for making ice cubes and for short-term storage of frozen food. It is not suitable as a means of freezing foods.

When ambient temperatures are lower than +10°C and the refrigerator is exposed to these temperatures for extended periods of time, an even regulation of freezer temperature cannot be guaranteed for system-related reasons. This can cause the temperature in the freezer to rise and the stored goods to melt.

4.13.3 Making ice cubes

Ice cubes are best frozen overnight. At night, the refrigerator has less work to do and the unit has more reserves.

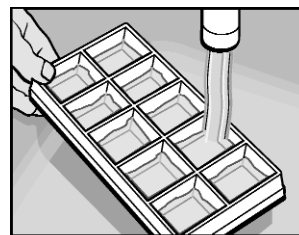


Fig. 27

1. Fill the ice cube tray with drinking water.

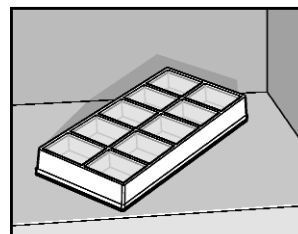


Fig. 28

2. Place the ice cube tray in the freezer compartment.



WARNING!

Only use drinking water!!

4.13.4 Refrigerator compartments

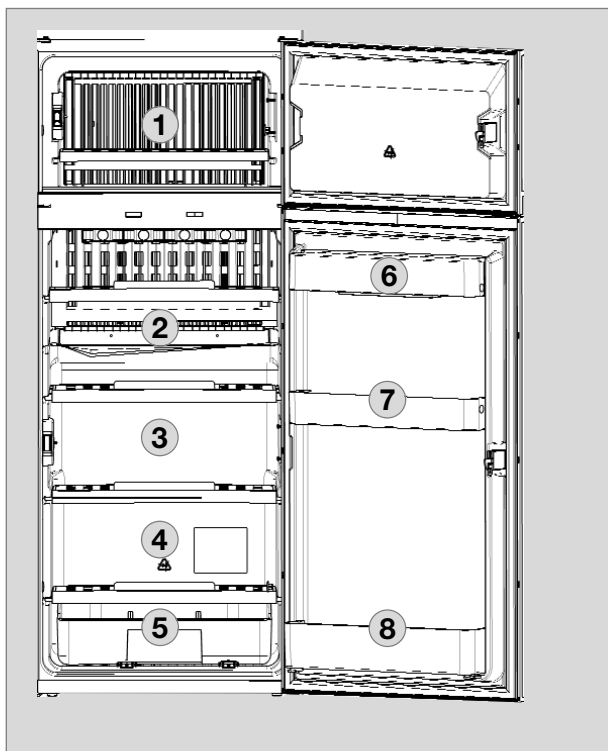


Fig. 29

- ① **Freezer compartment :**
already frozen food (deep-frozen food)
- ② **Top compartment:**
convenience food
- ③ **Middle compartment:**
Dairy products, convenience food
- ④ **Bottom compartment:**
Meat, fish, food for defrosting
- ⑤ **Vegetable compartment:**
Salads, vegetables, fruit
- ⑥ **Top door shelf:**
Eggs, butter
- ⑦ **Middle door shelf:**
Cans, dressings, ketchup, jam
- ⑧ **Bottom door shelf (drinks compartment):**
Drinks in bottles or bags

4.14 Shutting off the refrigerator

- Switch off the refrigerator by pressing button **(1)** (s. 4.5). Keep button **(1)** pressed for 3 seconds. The display disappears and the appliance is fully switched off .
- Release the locking mechanism (Fig. 30-31) of the door lock by pushing it and shift it to the front. If the door is shut in this position, a small gap is nevertheless kept open to prevent formation of mildew.

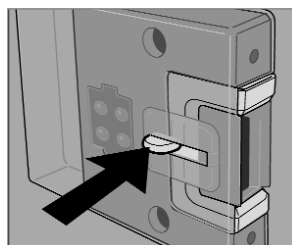


Fig. 30

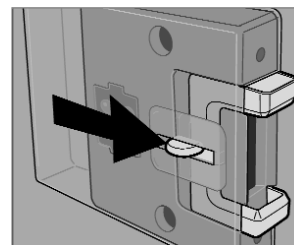


Fig. 31

- If the refrigerator is to be taken out of service for an extended period of time, close the onboard shut-off valve and the cylinder valve .

4.15 Defrosting

As time goes by, frost builds up on the fins inside the refrigerator. A layer of frost thicker on one side may occur and does not represent a malfunction. When this layer of frost is about 0.118 inches (3 mm) thick, the refrigerator should be defrosted.

- Switch off the refrigerator, as described in section 4.14 *Shutting of the refrigerator*.
- Remove all food and the ice cube tray.
- Leave the refrigerator door open to allow air to enter and to prevent formation of mildew.
- After defrosting (freezer compartment and fins free of frost), wipe both cooling compartments dry with a cloth.

Note: Water thawing in the main compartment of the refrigerator runs into an appropriate container at the back of the refrigerator. From there, the water evaporates.

CAUTION!

The layer of ice must never be removed forcibly, nor may defrosting be accelerated using a heat source!

4.16 Winter operation

In winter, check that the ventilation grilles and the exhaust duct system **(1)** have not been blocked by snow, leaves, etc. .

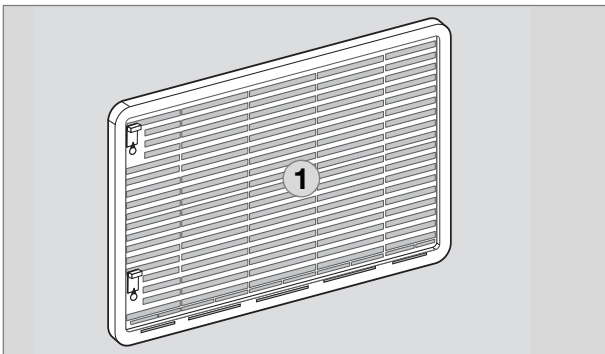


Fig. 32

When the outside temperature falls below **+10°C**, the **winter cover (2)** should be fitted. This protects the unit from excessively cold air which could have adverse effects on the performance of the unit.

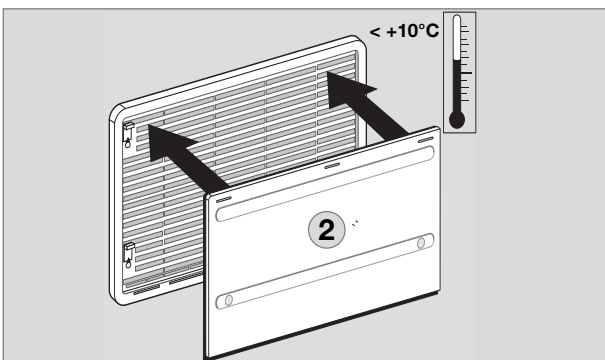


Fig. 33

You should also attach the winter cover if the vehicle is taken out of service for a longer period of time or while it is being cleaned from the outside.

4.17 Changing the decor panel

Decor panel with frame

- Remove the lateral ledge (1) the door (ledge is attached, not screwed).
- Shift decor panel (2) away from the door and insert the new decor panel. Re-attach ledge (1).

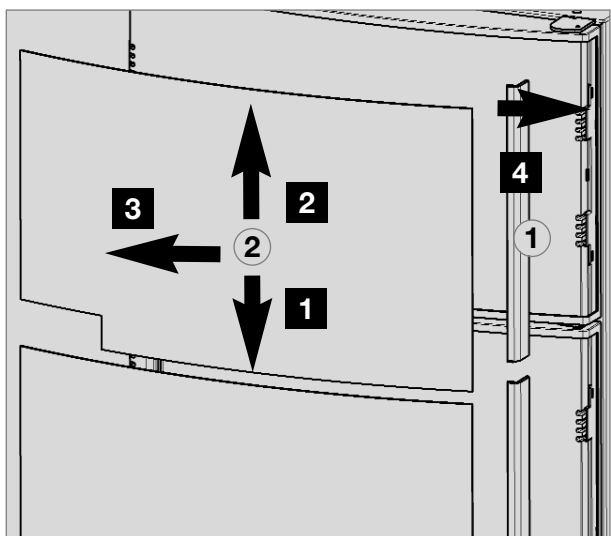


Fig. 34

CAUTION!

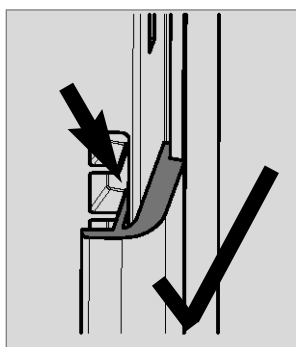


Fig. 35

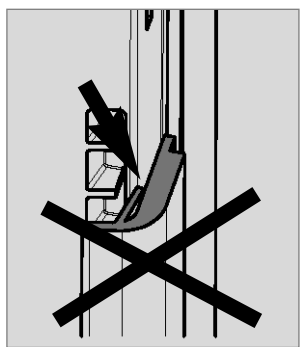


Fig. 36

Decor panel dimensions (with frame) :

Upper door

Height	Width	Thickness
300 +/- 1 mm	507,5 +/- 1 mm max.	1.7 mm

Lower door

Height	Width	Thickness
907,4 +/- 1 mm	507,5 +/- 1 mm max.	1.7 mm

Frameless decor panel

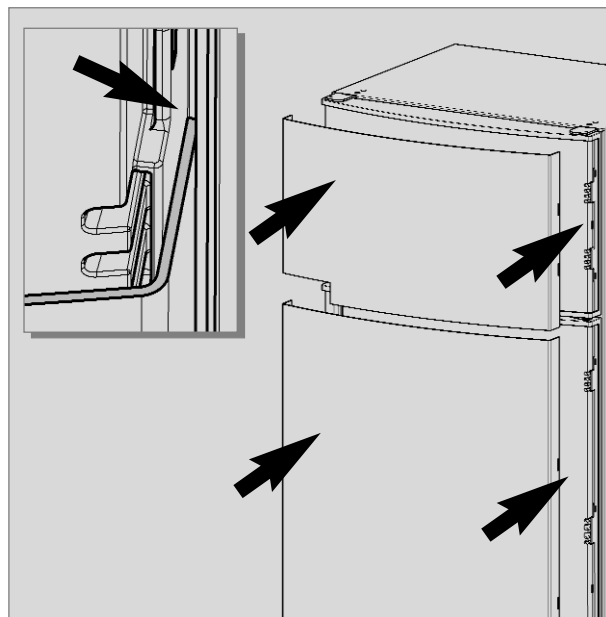


Fig. 37

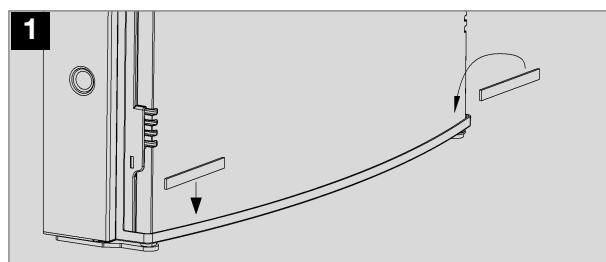


Fig. 38

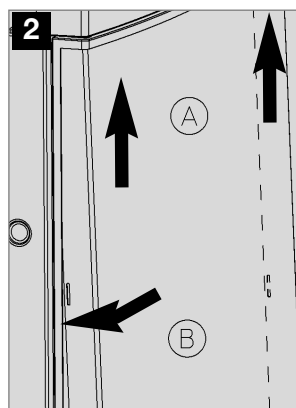


Fig.. 39

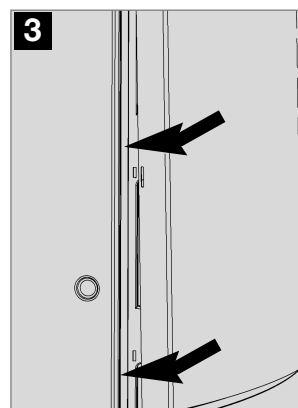


Fig. 40

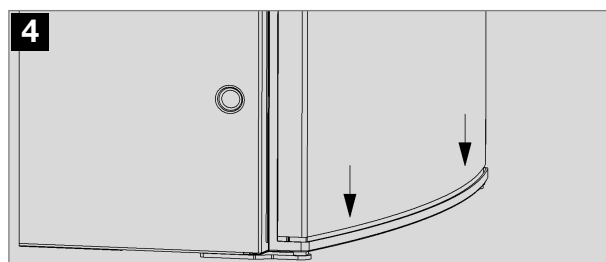


Fig. 41

4.18 Trouble-shooting

Failure: The refrigerator does not cool sufficiently.

Possible cause	Action you can take
<ul style="list-style-type: none"> - Inadequate ventilation to the unit. - Thermostat setting is too low. - The condenser is heavily frosted. - Too much warm food has been stored inside within short period of time. - The appliance has been running for only a short period of time. - Ambient temperatures too high. 	<ul style="list-style-type: none"> - Check that ventilation grilles are not covered. - Set thermostat to a higher level. - Check that the refrigerator door closes properly. - Allow warm food to cool down before storage. - Check whether the cooling compartment works after approx. 4 - 5 hours. - Regularly remove ventilation grilles.

Failure: The refrigerator does not cool in gas operation mode.

Possible cause	Action you can take
<ul style="list-style-type: none"> - Gas cylinder empty. - Is the upstream shut-off device open ? - Air in the gas pipe ? 	<ul style="list-style-type: none"> - Change gas cylinder. - Open shut-off device. - Switch off the appliance and start again. Repeat this procedure 3 - 4 times, if necessary

Failure: The refrigerator does not cool in 12V operation.

Possible cause	Action you can take
<ul style="list-style-type: none"> - On-board fuse defective. - On-board battery discharged. - Engine not running. - Heating element defective (please also refer to failure indication). 	<ul style="list-style-type: none"> - Fit new fuse. - Check battery, charge it. - Start engine. - Please inform the Dometic Customer Service

Failure: The refrigerator does not cool in 230V operation.

Possible cause	Action you can take
<ul style="list-style-type: none"> - On-board fuse defective. - Vehicle not connected to mains supply voltage. - AES: Gas operation despite connection to the mains supply voltage? - Heating element defective (please also refer to failure indication). 	<ul style="list-style-type: none"> - Fit new fuse. - Make a connection to a mains power supply. - Appliance switches to gas operation due to insufficient mains supply voltage (automatically switches back to 230V operation). - Please inform the Dometic Customer Service.

4.19 Information on failure display and trouble-shooting

- Refrigerators with an electronics system (MES, AES) indicate the occurrence of a malfunction by the LED or display flashing.
- If a malfunction occurs, the indicator LED "Failure" (8) flashes simultaneously. In the case of AES models an acoustic alarm sounds.

Before notifying the authorised Service Center, please check whether:

- the instructions in section "Operating the refrigerator" have been observed.
- the refrigerator stands level.
- it is possible to operate the refrigerator with any available power source.

4.19.1 Status indicators



MES

Fig. 39

- 1 = Button ON / OFF
- 2 = Energy selector switch 230 V AC
- 3 = Energy selector switch GAS
- 4 = Energy selector switch 12V DC



AES






Fig. 40

- 7 = temperature level display
- 8 = fault LED / GAS FAULT reset button

Operation with on-board 12 V power supply

Indicator	Fault	Remedy
2, 8 flashing + acoustic signal 20 s	230V mode: "230V" not available or voltage too low	Check mains power connection, mains voltage, fuse
4, 8 flashing + acoustic signal 20 s	12V mode: „: "12 V" not available or voltage too low	Check 12 V connection, on-board battery, fuse AES: Check D+ signal
3, 8 flashing + acoustic signal 20 s	GAS/Automatic mode: Flame not ignited	Check gas supply (gas bottle, gas valve) Press the button after clearing the fault.
Acoustic signal, 15 s, at 2 minute intervals	Interior lighting is switched on	Close door, check door contact
2, 7 flashing + acoustic signal 20 s	230V mode: 230V heating element defective	Arrange replacement of 230V heating element, contact Customer Service
4, 7 flashing + acoustic signal 20 s	12V mode: 12V heating element defective	Arrange replacement of 12V heating element, contact Customer Service
7 flashing	Temperature sensor without contact or defective	contact Customer Service
3, 7 flashing + acoustic signal 20 s	Burner defective or cooling unit defective	Check burner, burner nozzles, if necessary contact Customer Service and arrange replacement

Operation with batteries (internal power supply)

Indicator	Fault	Remedy
③  flashing ⑧  brightly	Flame not ignited	Check gas supply (gas bottle, gas valve) Press the  button after clearing the fault.
③  flashing ⑦  brightly I	Burner defective or cooling unit defective	Check burner, burner nozzles, if necessary contact Customer Service and arrange replacement
Acoustic signal at 15 second intervals	Undervoltage detection (internal batteries)	Replace batteries
Automatic switching from external to internal power supply does not function (absence of the on-board 12 V power supply for the electronics)	Refrigerator does not function; gas operation not possible although the batteries are inserted.	Switch off the refrigerator and start again. The on-board power supply was interrupted during the starting of the gas operation. Note: No automatic switching is performed during the ignition.

Instrucciones de uso

Frigorífico de absorción para vehículos de ocio

RMD 8501 RMD 8505

RMD 8551 RMD 8555

Anote los siguientes datos:

N° de modelo
N° de producto
Número de serie



N 1-2

MBA 04/2012



Índice

1.0	Aspectos generales	4
1.1	Introducción	4
1.2	Indicaciones sobre las presentes instrucciones de uso	4
1.3	Derechos de autor	4
1.4	Explicación de los símbolos utilizados	4
1.5	Garantía	5
1.6	Limitación de responsabilidad	5
1.7	Servicio de atención al cliente	5
1.8	Piezas de repuesto	6
1.9	Referencias medioambientales	6
1.9.1	Eliminación de residuos	6
1.9.2	Consejos para ahorrar energía	6
1.10	Declaración de conformidad	6
2.0	Indicaciones de seguridad	7
2.1	Uso conforme a lo prescrito	7
2.2	Responsabilidad del usuario	7
2.3	Protección de los niños a la hora de desechar el aparato	7
2.4	Trabajos y comprobaciones en el frigorífico	7
2.5	Funcionamiento del frigorífico con gas	8
2.6	Información sobre el líquido refrigerante	8
2.7	Indicaciones de seguridad para almacenar alimentos	9
3.0	Descripción del modelo	10
3.1	Denominación de modelo	10
3.2	Placa de características del frigorífico	10
3.3	Datos técnicos	11
3.4	Explicación de las partes del frigorífico	12
4.0	Funcionamiento del frigorífico	13
4.1	Limpieza	13
4.2	Mantenimiento	13
4.3	Funcionamiento con corriente	13
4.4	Funcionamiento a gas (gas líquido)	14
4.5	Explicación de los elementos de mando	14
4.6	Modelos RMD 8xx1	16
4.6.1	Funcionamiento con corriente	16
4.6.2	Funcionamiento a gas	16
4.6.3	Ajuste de la temperatura de la cámara frigorífica	16
4.7	Modelos RMD 8xx5	16
4.7.1	Funcionamiento manual	16
4.7.2	Funcionamiento automático	17
4.7.3	Ajuste de la temperatura de la cámara frigorífica	17
4.7.4	Parada para repostar durante el funcionamiento en el modo Automático	17
4.7.5	Funciones adicionales	17
4.8	Modo a gas con pilas internas (opcional)	18
4.8.1	Colocación / Sustitución de pilas	18
4.9	Calefacción del marco	19
4.10	Bloqueo de la puerta	19
4.10.1	Fijación y soltado del pasador de la cerradura de la puerta al estacionar el vehículo	20
4.11	Iluminación	20
4.12	Colocación de bandejas	20
4.13	Almacenamiento de alimentos y fabricación de cubitos de hielo	21

4.13.1	Almacenamiento de productos en la cámara frigorífica	21
4.13.2	Almacenamiento de productos en el congelador	21
4.13.3	Fabricación de cubitos de hielo	21
4.13.4	Compartimentos del frigorífico	22
4.14	Puesta fuera de servicio	22
4.15	Descongelamiento	22
4.16	Uso durante el invierno	23
4.17	Cambio de la placa de decoración	24
4.18	Cómo comportarse en caso de averías	25
4.19	Indicaciones sobre la indicación de averías y cómo solucionarlas	26
4.19.1	Indicación de estatus	26

Dometic GmbH
In der Steinwiese 16
D-57074 Siegen

www.dometic.com

1.0 Aspectos generales

1.1 Introducción

Al adquirir este frigorífico de absorción de **Dometic** ha hecho una excelente elección. Estamos convencidos de que su nuevo frigorífico satisfará todas sus exigencias, en todos los aspectos. Este frigorífico, que funciona de manera silenciosa, cumple las más altas exigencias de calidad, y garantiza el uso eficaz de los recursos y la energía a lo largo de todo su ciclo vital, tanto al fabricarlo y utilizarlo, como a la hora de desecharlo.

1.2 Indicaciones sobre las presentes instrucciones de uso

Antes de poner el frigorífico en marcha, lea minuciosamente las presentes instrucciones de uso.

Estas instrucciones contienen las indicaciones necesarias para utilizar su frigorífico correctamente. **Tenga en cuenta especialmente las indicaciones de seguridad.** Atenerse a las indicaciones y modos de proceder descritos es importante para utilizar su frigorífico de forma segura, ya que evita que sus usuarios y el propio frigorífico sufran daños. Antes de aplicar una medida deberá haber entendido las instrucciones.

Guarde las instrucciones de uso cerca de su frigorífico, de modo que pueda utilizarlas en todo momento.

1.3 Derechos de autor

Los datos, textos e ilustraciones de las instrucciones están protegidos por derechos de autor, y están sujetos a los derechos de protección de propiedad industrial.

Queda prohibido reproducir, fotocopiar o utilizar de algún modo cualquier parte de estas instrucciones sin la autorización escrita de Dometic GmbH, con sede en Siegen.

1.4 Explicación de los símbolos utilizados

Advertencias

Las advertencias vienen señaladas mediante iconos. Un texto complementario le detalla el grado de peligro existente.

Tenga en cuenta este tipo de advertencias. Al hacerlo, se protegerá, protegerá a otras personas y evitará que el aparato sufra daños.



PELIGRO!

PELIGRO indica una situación de peligro inmediato que puede provocar la muerte o heridas graves en caso de no aplicar las medidas indicadas.



ADVERTENCIA!

ADVERTENCIA indica una posible situación de peligro que puede provocar la muerte o heridas graves en caso de no aplicar las medidas indicadas.



PRECAUCIÓN!

PRECAUCIÓN indica una posible situación de peligro que puede provocar heridas leves o medias en caso de no aplicar las medidas indicadas.

PRECAUCIÓN!

PRECAUCIÓN sin el símbolo de seguridad indica una posible situación de peligro que puede provocar daños en el aparato en caso de no aplicar las medidas indicadas.

Información



INFORMACIÓN le proporciona datos complementarios prácticos para utilizar su frigorífico.

Indicación medioambiental



INDICACIÓN MEDIOAMBIENTAL le proporciona consejos para ahorrar energía y desechar el aparato.

1.5 Garantía

Las tramitaciones de garantía siguen la directiva CE 44/1999/CE y las condiciones prescritas en el país de venta. Para cuestiones relacionadas con la garantía o asistencia técnica, diríjase a nuestro servicio de atención al cliente. Las averías debidas a un uso indebido del aparato no se incluirán dentro de la garantía. Toda modificación del aparato o toda utilización de piezas de repuesto que no sean **piezas Dometic originales**, así como el no atenerse a las instrucciones de montaje y uso, provocará la exoneración de la garantía y la exclusión de los derechos de hacer efectiva una responsabilidad.

1.6 Limitación de responsabilidad

Toda la información y las indicaciones contenidas en las presentes instrucciones de uso han sido redactadas teniendo en cuenta las normas y prescripciones vigentes, así como el estado de la técnica. **Dometic** se reserva el derecho de poder realizar en todo momento modificaciones de producto que mejoren el producto y su seguridad. **Dometic** ño asume ninguna responsabilidad en caso de:

- No seguir las instrucciones de uso
- Utilizar el aparato de forma no acorde a la prescrita
- Utilizar piezas de repuesto no originales
- Realizar modificaciones o intervenciones en el aparato
- Influencias de entorno, como por ejemplo
 - cambios de temperatura
 - humedad del aire

1.7 Servicio de atención al cliente

Dometic le ofrece una red de servicio de atención al cliente a nivel europeo. Podrá encontrar centros de servicio técnico autorizados llamando a los números indicados en el folleto **Red de Servicio EuroService** que se adjunta en todos los frigoríficos. También podrá encontrar al socio de servicio de atención al cliente más cercano en la página web **www.dometic.com**. Al ponerse en contacto con el servicio de atención al cliente, indique siempre el modelo, el número de producto, el número de serie y, si así se requiere, el código MLC. Encontrará esta información en la placa de características del interior del frigorífico. Le recomendamos que anote dichos datos en el campo previsto para ello, en la primera página de estas instrucciones.

2.0 Indicaciones de seguridad

2.1 Uso conforme a lo prescrito

Este frigorífico ha sido concebido para ser instalado en vehículos de ocio, como por ejemplo en caravanas o autocaravanas. El aparato cumple la directiva comunitaria sobre aparatos de gas de la UE según el modelo de construcción.

Utilice el frigorífico exclusivamente para refrigerar y almacenar alimentos.



ADVERTENCIA!

El frigorífico no ha sido concebido para almacenar medicamentos. Si lo hace, siga las indicaciones del prospecto del medicamento.

2.2 Responsabilidad del usuario

Las personas que manejan el aparato deberán saber cómo utilizarlo de forma segura y conocer las indicaciones de estas instrucciones de uso.

Este aparato podrá ser utilizado por niños mayores de 8 años y por personas con discapacidades físicas, sensoriales o mentales, así como por personas sin experiencia y/o conocimientos pertinentes, siempre que éstos estén siendo observados o hayan recibido instrucciones sobre cómo manejar el aparato de forma segura y hayan comprendido los posibles peligros existentes. Los niños no deberán jugar con el aparato. La limpieza y el mantenimiento del aparato no deberá dejarse en manos de niños.

[EN 60335-2-24, 7.12]

2.3 Protección de los niños tras desechar el aparato



ADVERTENCIA!

Desmunte todas las puertas del frigorífico a la hora de desecharlo, y guarde las bandejas en el interior del mismo. Así se evitarán los cierres involuntarios y los posibles casos de asfixia.

2.4 Trabajos y comprobaciones en el frigorífico



ADVERTENCIA!

Los trabajos relacionados con las áreas del gas, de la extracción de humos y los componentes eléctricos tan sólo podrán ser realizados por el servicio técnico autorizado. Si se aplican medidas no apropiadas pueden provocarse daños materiales o personales considerables.



PELIGRO!



Nunca compruebe la hermeticidad del aparato en las piezas y los conductos de gas teniendo una llama ardiendo. Existe el peligro de producirse un incendio o una explosión.



ADVERTENCIA!

Nunca abra el grupo frigorífico de absorción. Está sometido a una gran presión.

Existe el peligro de resultar herido.

2.5 Funcionamiento del frigorífico a gas

La presión de funcionamiento deberá responderse obligatoriamente con los datos registrados en la placa de características del frigorífico. Compare los datos de la presión de trabajo de la placa del modelo con los del indicador de presión en el cilindro de gas líquido.



ADVERTENCIA!

Queda prohibido utilizar el aparato a gas

- en gasolineras
- en ferrys
- durante el transporte de la caravana/autocaravana con un vehículo de transporte o remolque.

Existe el peligro de incendio.

Deje el aparato desconectado.

En caso de oler a gas :

- Abra todas las ventanas y abandone ese espacio.
- No encienda ningún dispositivo eléctrico y evite utilizar llamas abiertas.
- Cierre la válvula de la bombona de gas y manténgala cerrada hasta haber reparado la avería.
- Consulte a un especialista autorizado* .

*** Especialista autorizado**

Los especialistas autorizados son expertos reconocidos, que debido a su formación o a sus conocimientos pueden garantizar que el examen ha sido realizado correctamente.

2.6 Información sobre el líquido refrigerante

Se trata de una sustancia natural que también se utiliza en los productos de limpieza doméstica (1 litro de limpiador de sal de amoníaco contiene hasta 200 g de amoníaco, aprox. el doble de lo que contiene el frigorífico). El cromato sódico se utiliza como protector anticorrosivo (1,8% del peso del disolvente).

En caso de que se produzca alguna fuga (algo fácilmente reconocible debido al fuerte olor):

- Desconecte el aparato.
- Airee bien la habitación.
- Informe al servicio de atención al cliente autorizado.



Para su seguridad, se ha realizado una inspección de que no existe ningún riesgo para su salud en caso de que se produzca un escape del líquido refrigerante..

2.7 Indicaciones de seguridad para almacenar alimentos

Los aparatos frigoríficos de todas las clases no pueden mejorar la calidad de los alimentos. Tan sólo pueden mantener durante un tiempo breve la calidad de los alimentos del momento en el que han sido almacenados.

Tenga en cuenta las siguientes condiciones especiales a la hora de guardar alimentos en un frigorífico integrado en un vehículo:

- cambio de las condiciones ambientales, como por ejemplo cambios de temperatura
- altas temperaturas interiores cuando el vehículo se aparca cerrado y queda expuesto directamente a los rayos solares (temperaturas posibles hasta 50 °C)
- uso del frigorífico durante la conducción con la fuente de energía 12V CC
- el frigorífico instalado detrás de una ventana y expuesto directamente a los rayos solares
- almacenamiento demasiado rápido de productos poco después de la puesta en marcha del aparato.

Entre los alimentos rápidamente perecederos se encuentran todos los productos con fecha de caducidad impresa y una temperatura de almacenamiento mínima de +4 °C o inferior, especialmente carnes, ave, pescado, embutido, platos precocinados.

- Envase los productos cocinados y crudos por separado (p. ej., envases, papel de aluminio o similar).
- Retire los envoltorios de los envases individuales sólo cuando todos los datos necesarios, como por ejemplo la fecha de caducidad, también puedan leerse en el envase individual.
- No deje los productos refrigerados fuera del frigorífico durante mucho tiempo.
- Coloque los alimentos con la fecha de caducidad más próxima en la parte delantera del frigorífico.

- Vuelva a empaquetar los restos e ingiéralos lo antes posible.
- Lávese las manos antes y después de tocar alimentos.
- Limpie con regularidad el interior del frigorífico.

Siga las indicaciones y descripciones sobre la fecha de caducidad escritas en los envases de los productos.

Tenga en cuenta el apartado "4.1 Limpieza" de las presentes instrucciones



Las condiciones del entorno influyen en el rendimiento del grupo frigorífico. A temperaturas de entorno entre +15 y +25 °C, seleccione la posición central (comp. Fig. 28, nivel de temperatura 3). El grupo trabaja en el margen de rendimiento óptimo.

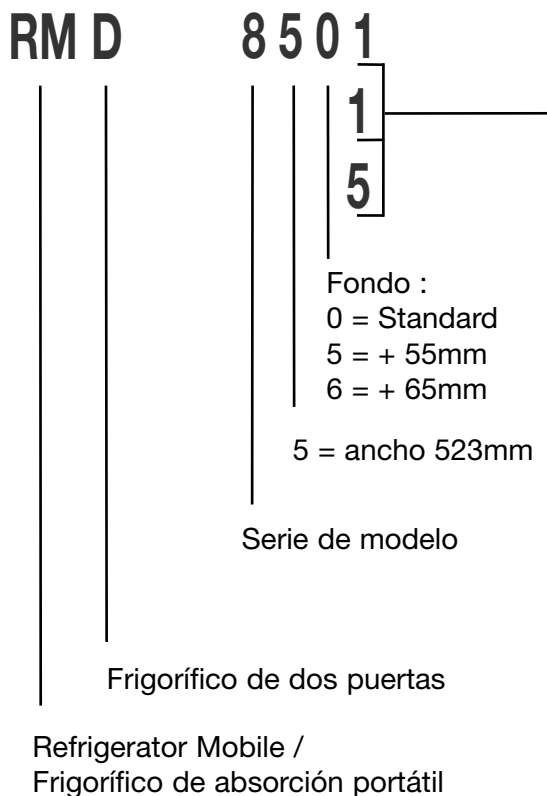
Los frigoríficos de Dometic funcionan siguiendo el principio de la absorción. Por motivos físicos, los sistemas de absorción reaccionan lentamente a las modificaciones del termostato, a la pérdida de frío debida a la apertura de la puerta o al almacenamiento de productos. Los frigoríficos cumplen las exigencias de rendimiento de la clase SN según EN/ISO 7371 en el margen de temperatura ambiente de +10 °C a +32 °C.

A temperaturas inferiores a +10°C, coloque las tapas para el invierno. A temperaturas de entorno superiores a los +32 °C durante un período prolongado, se recomienda instalar el ventilador adicional de Dometic (Número de art. 241 2985 - 00).

3.0 Descripción del modelo

3.1 Denominación de modelo

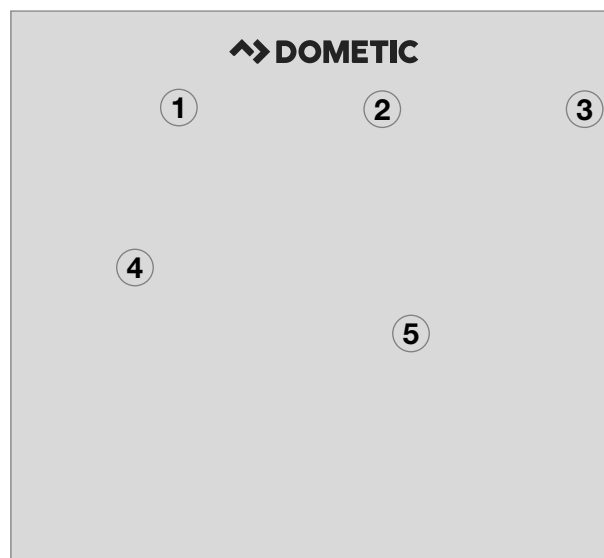
Ejemplo



- ↓
- 1
 selección manual de energía, encendido automático **(MES)**
- 5
 selección automática y manual de energía, encendido automático **(AES)**

3.2 Placa de características del frigorífico

En el interior del frigorífico encontrará la placa de características del frigorífico. En ella se encuentran todos los datos importantes del aparato. Podrá leer la denominación de modelo, el número de producto y el número de serie. Necesitará estos datos a la hora de contactar con el Servicio de atención al cliente o a la hora de pedir piezas de repuesto.



Ejemplo

Fig. 1

- 1 N° de modelo
- 2 N° de producto
- 3 Número de serie
- 4 Valores de conexión eléctrica
- 5 Presión de gas



Todos los frigoríficos Dometic están equipados para una presión de conexión de **30 mbar**. Al conectarlos a una instalación de **50 mbar** utilice el **regulador de presión de admisión Truma VDR 50/30**.

3.3 Datos técnicos

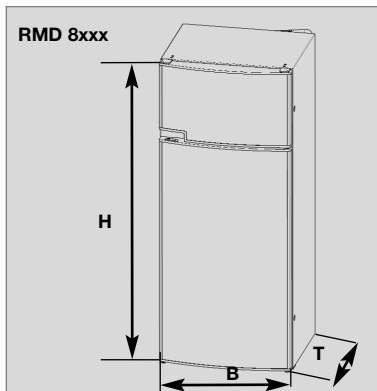


Fig. 2

Modelo	Dimensiones Al x An x F (mm) Fdo. incl. puerta	Capacidad total		Valores de conexión Red/Batería	Consumo * Eléctrico/Gas en 24h	Peso neto	Encendido	
		con congelador	sin congelador				Piezo	autom.
RMD 8501	1245x523x567	160 /30 lit.		190 W / 170 W	ca.3,2 kWh / 380 g	40 kg		•
RMD 8505	1245x523x567	160 /30 lit.		190 W / 170 W	ca.3,2 kWh / 380 g	40 kg		•
RMD 8551	1245x523x622	190 /35 lit.		190 W / 170 W	ca.3,2 kWh / 380 g	41.5 kg		•
RMD 8555	1245x523x622	190 /35 lit.		190 W / 170 W	ca.3,2 kWh / 380 g	41.5 kg		•

Reservado el derecho de realizar modificaciones técnicas.

*Consumo medio medido a una temperatura ambiental media de 25°C según en estándar ISO.

3.4 Explicación de las partes del frigorífico

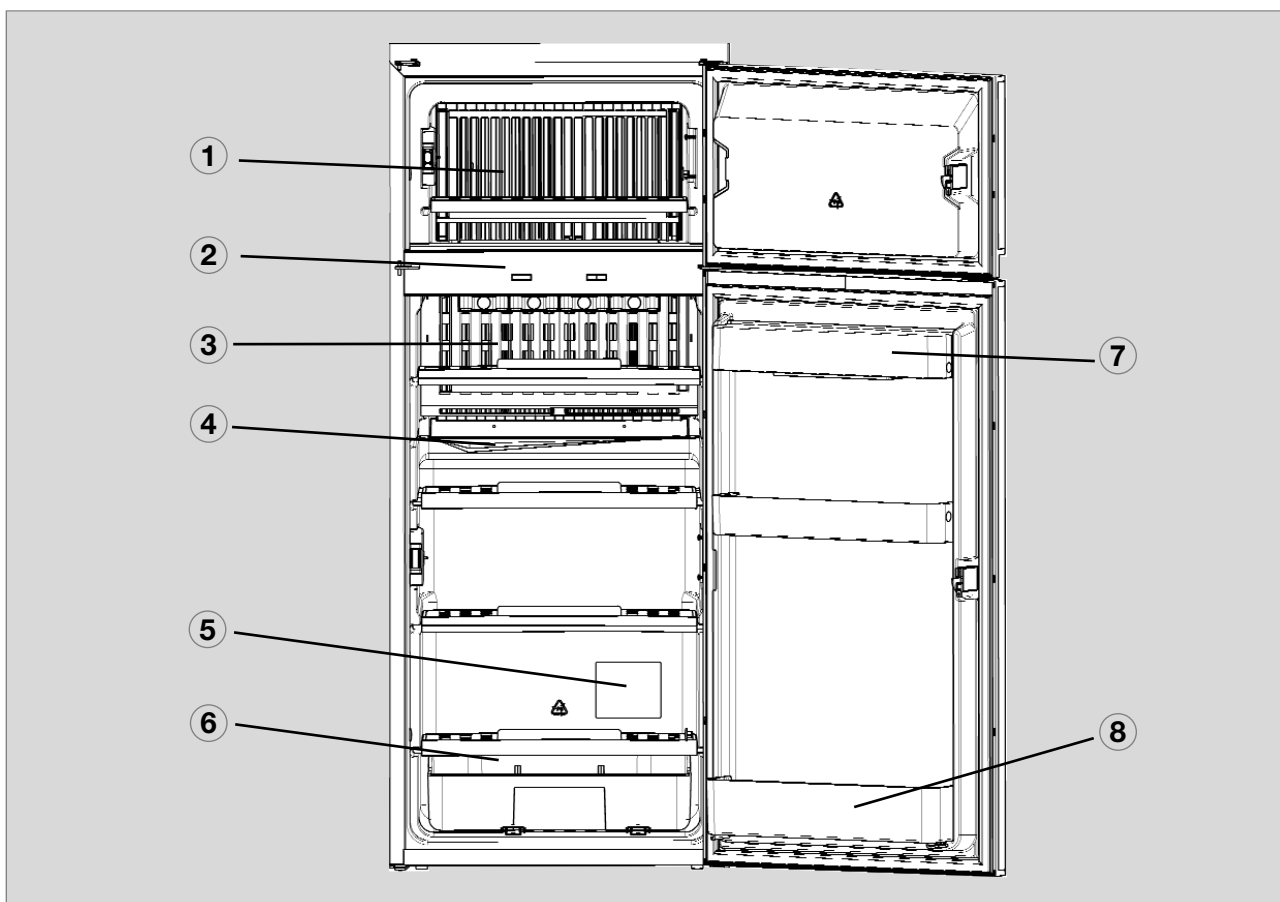


Fig. 3

- ① Congelador
- ② Elementos de manejo
- ③ Reevaporador para cámara frigorífica
- ④ Canal de salida de agua de condensación
- ⑤ Placa de características
- ⑥ Cajón para verduras
- ⑦ Estante superior con tapa, posibilidad de colocar huevera opcional
- ⑧ Estante inferior con soporte para botellas

4.0 Funcionamiento del frigorífico

El frigorífico puede funcionar con tres tipos de energía:

- **Tensión de alimentación (230V)**
- **Tensión continua (12V)**
- **Gas (gas líquido propano/butano).**

El tipo de energía deseado se selecciona por medio del **conmutador de selección de energía** (modelos de ignición de pila) o la **tecla de selección de energía** (MES, AES). Los aparatos con selección de energía automática (**AES**) tienen la función adicional "Automatic mode". La electrónica AES selecciona automáticamente el tipo de energía, según las prioridades.



La unidad frigorífica funciona de forma silenciosa.

Al poner el aparato en funcionamiento por primera vez, es posible que éste desprenda un olor que desaparecerá transcurridas algunas horas. Ventile bien el vehículo.

El refrigerador alcanza su temperatura de funcionamiento después de algunas horas; el congelador debería enfriarse después de aprox. una hora.

4.1 Limpieza

Antes de utilizar el frigorífico por vez primera, es recomendable limpiar el aparato por dentro, y volverlo a hacer regularmente.

Utilice un paño suave y agua templada con un detergente suave. A continuación, lave el aparato con agua limpia y séquelo completamente.

Para evitar que los materiales cambien, no utilice jabones ni detergentes abrasivos, granulados o con sosa cáustica. No permita que la junta hermética de la puerta entre en contacto con aceite o grasa.

4.2 Mantenimiento

■ Siguiendo las prescripciones vigentes, le informamos de que la instalación y los conductos de extracción conectados deberán ser inspeccionados por un especialista autorizado tal y como se indica en la norma europea EN 1949 antes de la primera puesta en marcha, así como en intervalos de dos años. Al realizar dicha inspección se expedirá un certificado acreditativo. **El usuario será el responsable de realizar dichas inspecciones.**

■ **El quemador de gas deberá ser limpiado en caso pertinente, en todo caso al menos una vez al año. Al utilizar autogás (depósito o bombonas rellenables) los intervalos de mantenimiento se reducen a un periodo semestral o trimestral.**

Guarde cuidadosamente los comprobantes de los trabajos de mantenimiento realizados en su frigorífico.

■ **Los trabajos en los dispositivos eléctricos y de gas sólo pueden ser ejecutados por un especialista autorizado para ello.**

Recomendamos que los encargue a un servicio técnico autorizado.

Recomendamos realizar trabajos de mantenimiento cuando el vehículo haya estado detenido durante un largo período de tiempo. Para hacerlo, diríjase a nuestro servicio posventa.

4.3 Funcionamiento eléctrico

Alimentación de 12 V de a bordo

PRECAUCIÓN!

El funcionamiento a 12V sólo debería ser seleccionado con el motor del vehículo en marcha para evitar que se descargue la batería principal.

Funcionamiento con tensión de red (230V)

PRECAUCIÓN!

Seleccione este modo de funcionamiento sólo si el suministro de tensión de la toma de corriente corresponde al valor indicado en la placa de características. ¡Valores divergentes pueden dañar el aparato!

4.4 Funcionamiento con gas (gas líquido)

- El frigorífico funciona con gas líquido (propano, butano) (NO con gas natural ni gas ciudad).
- En caso de utilizar autogás deberá tener en cuenta de que debido al tipo de combustión del gas, el quemador deberá limpiarse más a menudo (se recomienda hacerlo 2 a 3 veces al año).
- En Europa está permitido conducir con el funcionamiento a gas activado, siempre que la instalación de gas del vehículo venga equipada con un sistema antirrotura de tubo. Deberán cumplirse las normativas nacionales de su país.
- A una altura de aprox. 1000 m NN pueden producirse fallos al encender el gas por motivos físicos (**¡no se trata de un fallo funcional!**).
- En la primera puesta en marcha, así como tras sustituir la bombona de gas, los tubos de gas pueden contener aire. Poniendo brevemente en marcha el frigorífico y, eventualmente otros aparatos de gas, (como p. ej. el hornillo) los conductos de gas se purgarán. Entonces, el gas se encenderá sin retardo.
- Todos los frigoríficos con encendido manual están equipados con un dispositivo de seguridad antiincendios que interrumpe automáticamente el abastecimiento de gas a los 30 segundos de apagarse la llama.



ADVERTENCIA!

Está prohibido utilizar el funcionamiento a gas en las cercanías de las gasolineras.

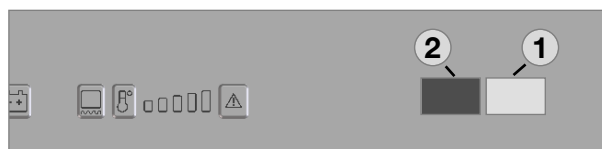
Antes de poner el frigorífico en funcionamiento en el modo de gas:

- Abra la válvula de la bombona de gas.
- Abra la espita de paso del suministro de gas para el frigorífico.

4.5 Explicación de los elementos de mando

Al tener la puerta del frigorífico cerrada, el campo de teclas del panel de mando no está accesible. Abra la puerta inferior para poder acceder a las teclas de mando.

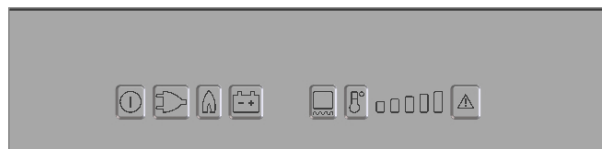
En el marco izquierdo o derecho del panel de mando (dependiendo del sentido de apertura de la puerta) encontrará dos LEDs. El LED externo (1) indica que el frigorífico está en servicio (azul). El otro LED (2) se ilumina en rojo en caso de avería.



LED de indicación

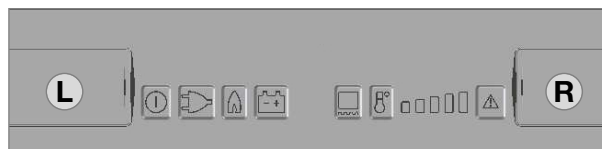
Fig. 4

Los frigoríficos para el **funcionamiento (con gas) autárquico** incluyen dos compartimentos de baterías en el panel de mando. Se encuentran a derecha e izquierda del campo de teclas.



Panel de mando sin compartimentos de pilas

Fig. 5



Panel de mando con compartimentos de pilas (L, R)

Fig. 6

Selección de energía manual / encendido automático (RMD 8xx1) MES :

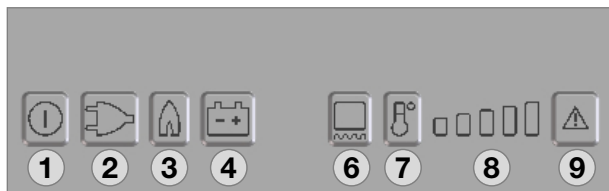


Fig. 7

- ① = Tecla ON / OFF
- ② = Tecla de selección energética 230V ~
- ③ = Tecla de selección energética GAS
- ④ = Tecla de selección energética 12V =
- ⑥ = Calefacción del marco
- ⑦ = Tecla de nivel de temperatura
- ⑧ = Indicación de nivel de temperatura
- ⑨ = LED Avería / Tecla reset AVERÍA GAS

Encendido / Apagado

- Encender pulsando la tecla (1) durante 2 seg
- Apagar pulsando la tecla (1) durante > 2 seg

Funcionamiento con tensión de red (230V~)

- Selección "Tensión de red" con la tecla (2)
- Ajuste de nivel de temperatura con la tecla (7)

Funcionamiento con tensión de batería (a bordo) (12V =)

- Selección "Tensión de batería" con la tecla (4)
- Ajuste de nivel de temperatura con la tecla (7)

Funcionamiento a GAS

- Selección "Gas" con la tecla (3)
- Ajuste de nivel de temperatura con la tecla (7)

Selección de energía automática / encendido automático (RMD 8xx5) AES :



Fig. 8

- ① = Tecla ON / OFF
- ② = Tecla de selección energética 230V ~
- ③ = Tecla de selección energética GAS
- ④ = Tecla de selección energética 12V =
- ⑤ = Tecla de selección "AUTOMÁTICO"
- ⑥ = Calefacción del marco
- ⑦ = Tecla de nivel de temperatura
- ⑧ = Indicación de nivel de temperatura
- ⑨ = LED Avería / Tecla reset AVERÍA GAS

Encendido / Apagado

- Encender pulsando la tecla (1) durante 2 seg
- Apagar pulsando la tecla (1) durante > 2 seg

Funcionamiento manual

- Selección del tipo de energía con la tecla (2,3, 4)
- Ajuste de nivel de temperatura con la tecla (7)

Funcionamiento automático

- Conmutación a "Automático" con la tecla (5)
Selección energética automática (según disponibilidad):
 - 1.) Solar (12V =)
 - 2.) 230V ~
 - 3.) 12V =
 - 4.) Gas líquido
- Ajuste de nivel de temperatura con la tecla (7)

4.6 Modelos RMD 85x1

Aparatos MES

(selección de energía manual)

4.6.1 Funcionamiento con corriente

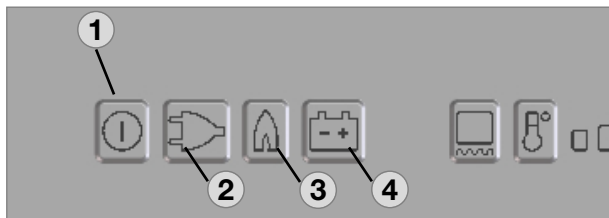


Fig. 9

Para conectar el aparato, pulse la tecla **(1)** durante **2 segundos**.

El frigorífico arranca con el tipo de energía seleccionado por última vez.

Modo 230V :

Pulse la tecla **(2)** :



Modo 12V :

Pulse la tecla **(4)** :



4.6.2 Funcionamiento con gas

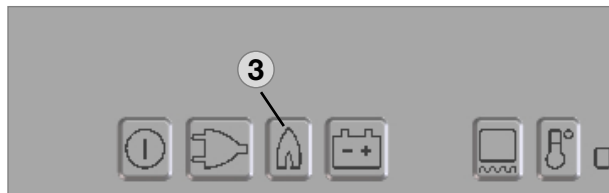


Fig. 10

Modo a gas :

Pulse la tecla **(3)** :



La llama se encenderá automáticamente mediante un sistema de encendido automático.



La llama se apaga al llegar a la temperatura de la cámara frigorífica ajustada y volverá a encenderse cuando la temperatura vuelva a aumentar. En caso de que la llama no se encienda tras el primer intento de ignición, el sistema de encendido automático repetirá el encendido (duración de 30 seg) 2 veces en un intervalo de 2 minutos. En caso de que la llama aún no se haya encendido, se indicará una avería.

4.6.3 Ajuste de la temperatura de la cámara frigorífica

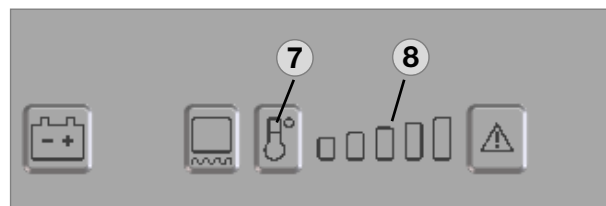


Fig. 11

Con la tecla **(7)** puede seleccionar la temperatura de la cámara frigorífica.

Las indicaciones LED **(8)** correspondientes de la temperatura ajustada se iluminan.

La escala comienza con la posición **MIN** en la indicación LED inferior (barra pequeña = temperatura más alta) y llega hasta la posición **MAX** en la indicación LED superior (gran barra = temperatura más baja). Tenga en cuenta que los niveles de temperatura no llevan asignados valores de temperatura absolutos.

4.7 Modelos RMD 85x5

Aparatos AES

(selecc. de energía manual + automática)

4.7.1 Funcionamiento manual

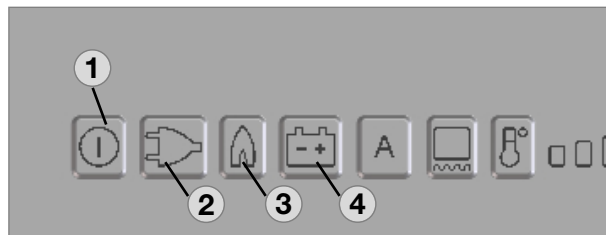


Fig. 12

Para conectar el aparato, pulse la tecla **(1)** durante **2 segundos**.

El frigorífico arranca con el tipo de energía seleccionado por última vez.

Modo 230V :

Pulse la tecla **(2)** :



Modo 12V :

Pulse la tecla **(4)** :



Modo a gas :

Pulse la tecla **(3)** :



4.7.2 Funcionamiento automático

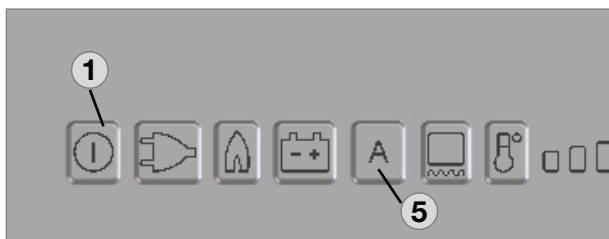


Fig. 13

Para conectar el aparato, pulse la tecla **(1)** durante **2 segundos**.

El frigorífico arranca con el tipo de energía seleccionado por última vez.

Funcionamiento automático :

Pulse la tecla **(5) : A**

Tras la conexión, la electrónica selecciona por sí misma uno de los tres tipos de energía posibles **230V - 12V - gas líquido**. El sistema de control electrónico se asegura automáticamente de que el frigorífico se conecte siempre a la fuente óptima de energía.

Orden de prioridades:

- 1.) Solar (12V CC)
- 2.) 230V CA
- 3.) 12V -
- 4.) Gas líquido



Si existe la tensión de alimentación suficiente (> 195 V), esta fuente de energía será la seleccionada como primera opción. Sin embargo, si existe una instalación solar que pueda abastecer al frigorífico, la alimentación 12V mediante dicha instalación será la prioritaria. En caso contrario, el funcionamiento de 12 V sólo está activo cuando el motor está en marcha.

El sistema de control electrónico selecciona, según el orden de prioridad, **GAS** como tipo de energía solo cuando ninguno de los dos tipos de energía eléctrica esté disponible.

Podrá volver a activar la selección manual de los tipos de energía en todo momento.

4.7.3 Ajuste de la temperatura de la cámara frigorífica

v. punto "4.6.3"

4.7.4 Parada para repostar durante el funcionamiento en el modo Automático



Para excluir una conmutación involuntaria al modo de gas durante el repostaje, el sistema electrónico iniciará el funcionamiento con gas sólo una vez transcurridos 15 minutos desde la parada del motor. Durante este tiempo, el aparato estará en el modo stand-by.

El LED de nivel de temperatura no se enciende mientras todos los demás indicadores están activos.



ADVERTENCIA!

En las zonas de servicio y gasolineras está prohibido utilizar llamas vivas.

En caso de que la parada de repostar dure más de 15 min., el frigorífico deberá desconectarse, o bien ser conmutado a otro tipo de energía.

4.7.5 Funciones adicionales (MES/AES)

- La luminosidad de la indicación LED se reduce tras unos pocos segundos si no se pulsan más teclas adicionales. Si se pulsa una tecla, la indicación vuelve a iluminarse. Pulse la tecla una vez más para activar la función deseada.
- Los errores se señalizan mediante el parpadeo del LED de error.
- Si la puerta está demasiado tiempo abierta (más de 2 minutos), se emitirá una señal de advertencia (silbido vibrante).
- Si el sistema de control electrónico detecta una avería, se emitirá una señal acústica de advertencia (silbido vibrante). Al mismo tiempo, la indicación parpadeará (Comprobación, v. punto 4.19).

4.8 Modo a gas con pilas internas (opcional)

Para las variantes de modelo RMD 8xx1 y RMD 8xx5 (aparatos con sistema electrónico) puede suministrarse un compartimento de pilas opcional en la carcasa del sistema electrónico para abastecer de tensión interna (autárquicamente) el sistema electrónico.



Compartimento de pilas a la izquierda

Fig. 14

Equipe el compartimento de pilas antes de la puesta en marcha del frigorífico con pilas (**8 x AA 1,5 V**).

Mientras el abastecimiento de tensión continúa de 12V de a bordo esté activado, pueden seleccionarse **todos** los modos de funcionamiento. La tensión interna está desconectada.

En caso de que falte el abastecimiento de tensión continua de 12V de a bordo o de que se interrumpa el abastecimiento de tensión durante el funcionamiento, el sistema electrónico pasa automáticamente a la tensión interna (de pilas).

Entonces, el frigorífico podrá funcionar en el **modo de gas**.

En el funcionamiento con pilas internas todos los indicadores LED estarán apagados a excepción del **LED de GAS**. El **LED de GAS** parpadeará en intervalos de 15 segundos.

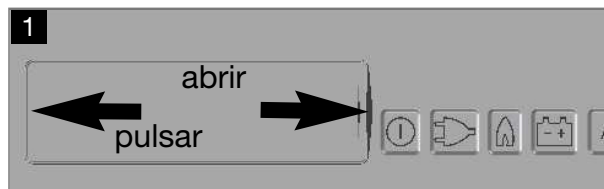
Si se pulsa un botón, además también se iluminarán los LEDs de nivel de temperatura (7).

Si la corriente de las pilas es demasiado baja, se escuchará una señal acústica (un pitido) cada 15 segundos.

En ese caso, sustituya las pilas del compartimento.

4.8.1 Colocación / Sustitución de pilas

Desconecte el frigorífico tal y como se describe en el punto 4.14 *Puesta fuera de servicio*.



Abrir el compartimento de pilas a la izquierda

Fig. 15



Abrir el compartimento de pilas a la derecha

Fig. 16

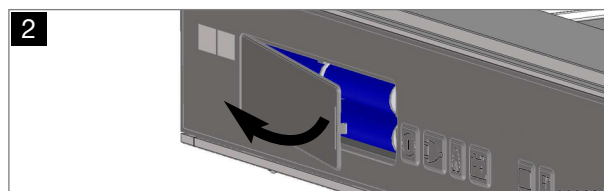


Fig. 17



Las pilas (8 x AA 1.5V) no están incluidas.

PRECAUCIÓN!

- ¡Tenga en cuenta la polaridad!
- No inserte pilas no recargables en cargadores.
- Antes de recargarlas, extraiga las pilas recargables (baterías) de su compartimento.
- ¡Evite los cortacircuitos en los contactos del compartimento de pilas!
- Extraiga las pilas descargadas.
- Extraiga las pilas del compartimento de pilas en caso de no utilizar el frigorífico durante mucho tiempo.
- No mezcle diferentes tipos de pilas.

4.9 Calefacción del marco

Ambos los modelos están equipados con una calefacción del marco (12V--/3,5W) para el congelador. Durante los meses de verano, con altas temperaturas y elevada humedad del aire, pueden formarse gotas de agua en el bastidor metálico. Conecte entonces la calefacción del marco a través del conector **(6)**.

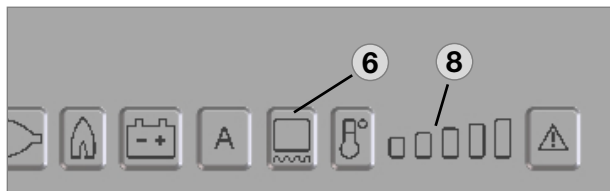


Fig. 18

La duración de servicio de la calefacción del marco puede ajustarse a 2 horas, 5 horas o a un servicio permanente. Una vez seleccionada la duración de servicio mediante la tecla **(6)**, la indicación de temperatura **(8)** se apaga brevemente para indicar la duración de servicio ajustada durante unos pocos segundos. Entonces, la indicación volverá a mostrar los niveles de temperatura.

Duración de servicio: 2 h

Pulsar la tecla **(6)** una vez



Indicación

Duración de servicio: 5 h

Pulsar la tecla **(6)** dos veces



Indicación

Servicio permanente

Pulsar la tecla **(6)** tres veces



Indicación

PRECAUCIÓN!

Para evitar la descarga de la batería a bordo, conmute la calefacción del marco del servicio permanente a otra duración de servicio o apague la calefacción.



La calefacción del marco se activa durante 30 minutos tras su encendido, y después se apaga y vuelve a encender cada 5 minutos.

4.10 Bloqueo de la puerta



PRECAUCIÓN!

Antes de iniciar el viaje, ¡cierre bien la puerta del frigorífico y bloquéela!

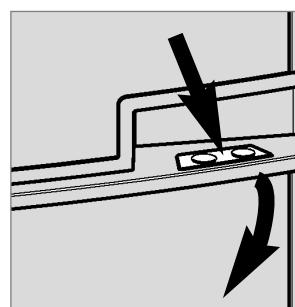


Fig. 19

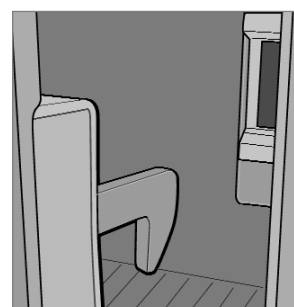


Fig. 20

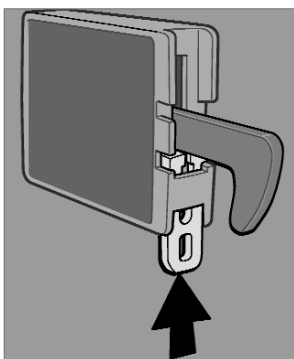
Abra la puerta pulsando la tecla de bloqueo y tire de ella (v. Fig. 19).

Vuelva a cerrar la puerta empujándola hasta cerrarla. Podrá escuchar cómo encaja la puerta.

Mientras el vehículo está detenido, podrá fijarse el gancho de bloqueo para abrir la puerta con mayor facilidad (v. Fig 21-22).

4.10.1 Fijación y soltado del pasador de la cerradura de la puerta al estacionar el vehículo

Si el vehículo es estacionado durante mucho tiempo en un aparcamiento, el gancho de bloqueo de la puerta puede fijarse con un pasador. Entonces, la puerta podrá abrirse tirando, sin tener que pulsar la tecla de bloqueo.



Fijación

Fig. 21

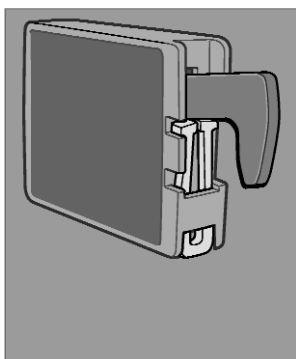
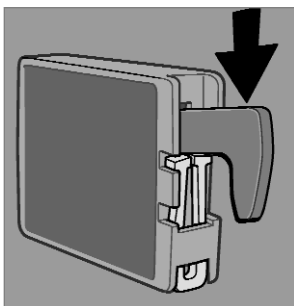


Fig. 22



Soltado

Fig. 23

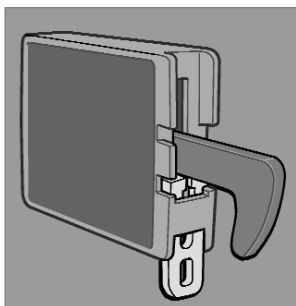


Fig. 24

4.11 Iluminación

La iluminación interior es controlada mediante un contacto en la puerta. Si la puerta está abierta durante más de 2 minutos, se emitirá una señal de advertencia (silbido vibrante).

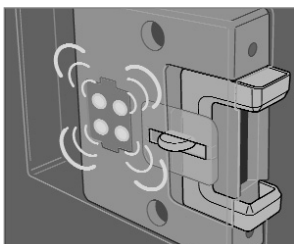


Fig. 25



En caso de una avería, diríjase al servicio de atención al cliente autorizado por Dometic.

4.12 Colocación de bandejas

Para extraer las bandejas, suelte dos de los encastramientos (1) de la parte inferior. Para soltarlos, desplace los encastramientos hacia el interior; para fijarlos, hacia el exterior.

Dos bandejas de la cámara frigorífica están fijadas. Así, se evita que al extraer las bandejas se genere un espacio intermedio demasiado grande. Para proteger a los niños, no deberá generarse ningún espacio que permita albergar un niño.



ADVERTENCIA!

No retire ninguna de las bandejas. Así, los niños no tendrán espacio para encerrarse en el frigorífico.

Si no obstante desea extraer dichas bandejas (p. ej. para limpiarlas), primero suelte las correderas de bloqueo (2) tal y como se muestra, con un destornillador apropiado.

Una vez extraída la bandeja central, vuelva a insertar las correderas de bloqueo.

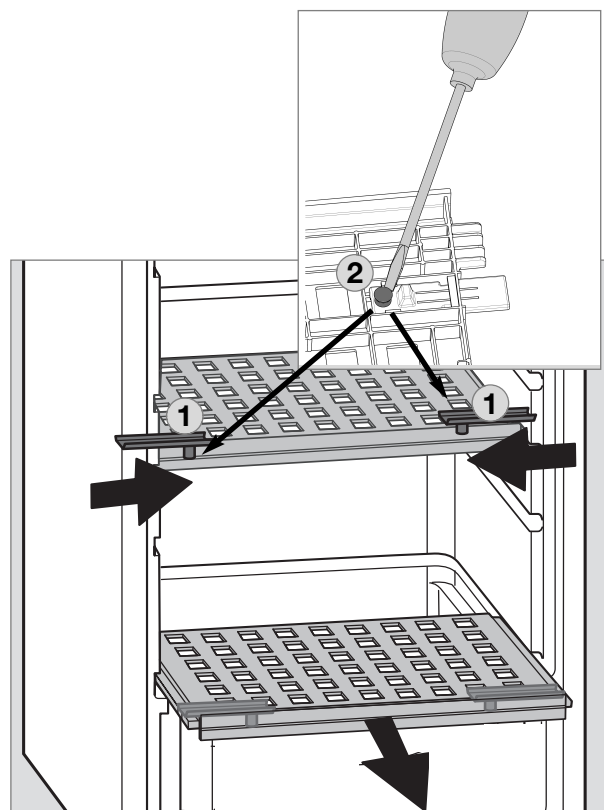


Fig. 26

4.13 Almacenamiento de alimentos y fabricación de cubitos de hielo

4.13.1 Almacenamiento de productos en la cámara frigorífica.

- Ponga en marcha el frigorífico unas 12 horas antes de llenarlo.
- Guarde únicamente alimentos que hayan sido previamente enfriados en él. A la hora de comprar y transportar los alimentos, asegúrese de que los productos están bien refrigerados. Utilice bolsas térmicas.
- A la hora de tomar los productos de los arcones refrigeradores de los establecimientos, abra la puerta de los mismos sólo durante un momento.
- Los productos deberán guardarse individualmente en envases, a ser posible en paquetes cerrados, con papel de aluminio o similar, para así evitar que se sequen y generen olores.
- Nunca meta alimentos calientes en el frigorífico, deje que se enfríen antes de hacerlo.
- Los productos que puedan emitir gases volátiles y combustibles no deberán guardarse en el frigorífico.
- No coloque demasiados productos en las bandejas o los compartimentos para no mermar la circulación de aire interna.
- Mantenga una distancia (aprox. 5 - 10 mm) entre los productos y el reevaporador ("bordes del interior del aparato").
- El frigorífico no deberá exponerse a los rayos directos del sol. Tenga en cuenta que la temperatura interior de un vehículo cerrado puede ascender fuertemente debido a la exposición solar, lo que a su vez puede mermar considerablemente el rendimiento del frigorífico.
- Deberá garantizarse una buena circulación de aire del grupo frigorífico. Las rejillas de ventilación no deberán presentar suciedad alguna.

4.13.2 Almacenamiento de productos en el congelador

- No meta bebidas con gas en el congelador
- El congelador ha sido concebido para

producir cubitos de hielo y para guardar durante un breve período de tiempo alimentos congelados. No es apto para congelar alimentos

En caso de registrarse temperaturas ambientales inferiores a +10 °C por motivos técnicos no puede garantizarse una regulación homogénea de la temperatura del congelador si el frigorífico queda expuesto a estas temperaturas durante largo tiempo. Esto podría provocar un posible aumento de temperatura en el congelador y la descongelación de los productos almacenados en él.

4.13.3 Fabricación de cubitos de hielo

El mejor momento para congelar cubitos de hielo es por la noche. Por las noches, el frigorífico trabaja menos y el grupo frigorífico tiene más reservas.



Fig. 27

1. Llene la cubitera con agua potable.

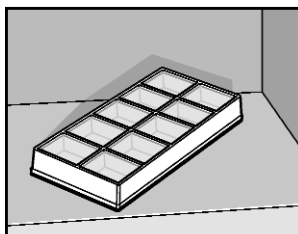


Fig. 28

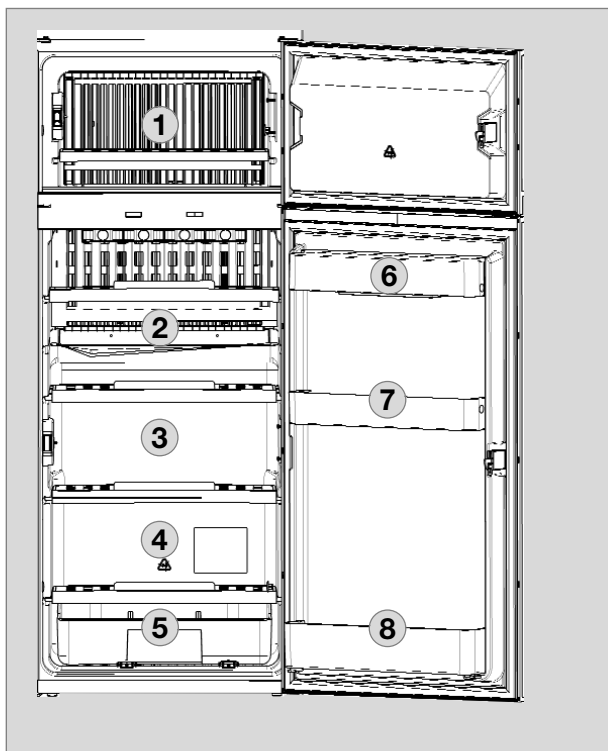
2. Colóquela en el congelador.



ADVERTENCIA!

¡Utilice sólo agua potable!

4.13.4 Compartimentos del frigorífico

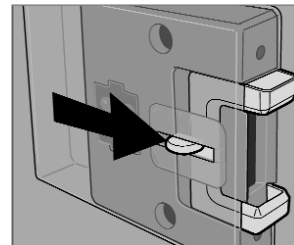
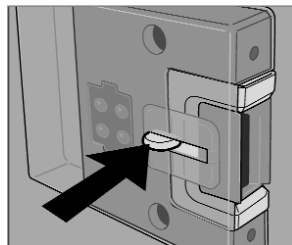


- 1 **Congelador :**
productos congelados previamente (congelados)
- 2 **Compartimento superior:**
alimentos preparados
- 3 **Compartimento medio:**
productos lácteos, platos preparados
- 4 **Compartimento inferior:**
carne, pescado, productos para descongelar
- 5 **Compartimento para verduras:**
lechuga, verdura, fruta
- 6 **Bandeja superior de puerta:**
huevos, mantequilla
- 7 **Bandeja media de puerta:**
latas, salsas, ketchup, mermelada
- 8 **Bandeja baja de puerta (compartimento para bebidas):**
bebidas embotelladas o en paquetes

4.14 Puesta fuera de servicio

- El frigorífico se desconecta mediante la tecla **(1)** (v. 4.5) . Mantenga pulsada la tecla durante 3 segundos. La indicación desaparece y el aparato estará totalmente desconectado.

Desbloquee el dispositivo de cierre del bloqueo de puerta (Fig. 30-31) pulsándolo y empujándolo hacia delante. Si ahora cierra la puerta, el frigorífico quedará ligeramente abierto para evitar la formación de moho.



- Si el frigorífico se desconecta para un largo período de tiempo, cierre la válvula de cierre de a bordo y la válvula de la bombona.

4.15 Descongelamiento

Con el tiempo en los bordes del interior del frigorífico se forma escarcha. Cuando se forma hielo considerable de forma unilateral, será señal de un error. Cuando esta capa de hielo sea de unos 3 mm, deberá descongelar el frigorífico

- Desconecte el frigorífico tal y como se describe en el punto 4.14 Puesta fuera de servicio.
- Saque todos los alimentos y la cubitera.
- Deje abierta la puerta del frigorífico para que pueda entrar el aire y así evitar que se forme moho.
- Tras el descongelamiento, pase un paño parasecar las dos cámaras frigoríficas (el congelador y los bordes no presentan hielo).

Observación: El agua derretida de la cámara frigorífica principal cae a un depósito recogedor situado en el dorso del aparato. En él, el agua se evapora.

PRECAUCIÓN!

El agua derretida de la cámara frigorífica principal cae a un depósito recogedor situado en el dorso del aparato. En él, el agua se evapora.

4.16 Uso durante el invierno

En invierno, compruebe regularmente si las rejillas de ventilación y el extractor (1) están libres de nieve, hojas u otros objetos similares.

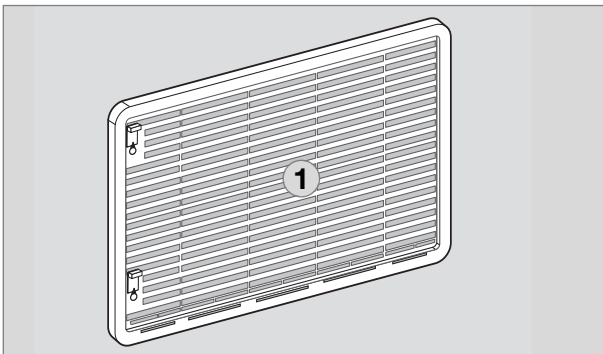


Fig. 32

A una temperatura exterior inferior a **+ 10 °C** deberá montarse la **tapa de invierno (2)**. Así, se protege el grupo frigorífico contra el frío, ya que en caso contrario el rendimiento del grupo podría limitarse.

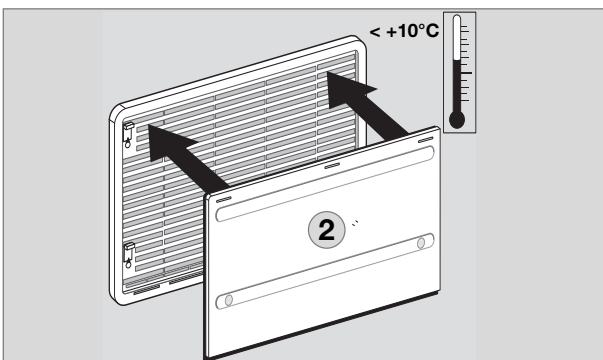


Fig. 33

Coloque la tapa de invierno cuando el vehículo no vaya a ser utilizado durante mucho tiempo o cuando se limpie desde el exterior.

4.17 Cambio de la placa de decoración

Placa de decoración con marco

- Retire el listón (1) lateral de la puerta (el listón está encajado, no atornillado).
- Desplace la placa de decoración (2) sacándola de la puerta, coloque la nueva placa de decoración y vuelva a colocar el listón (1).

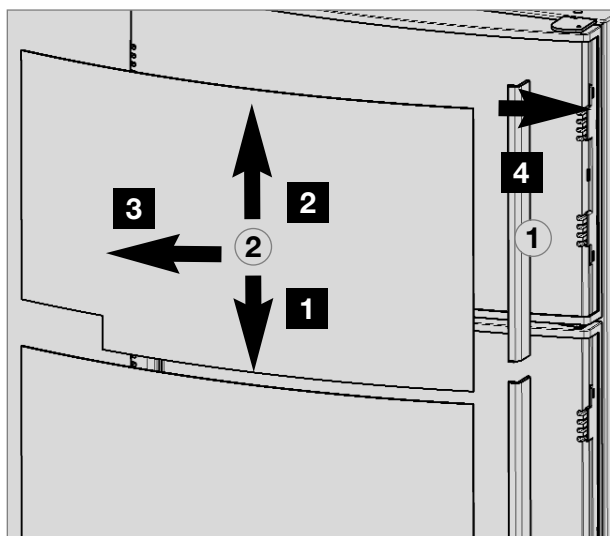


Fig. 34

PRECAUCIÓN!

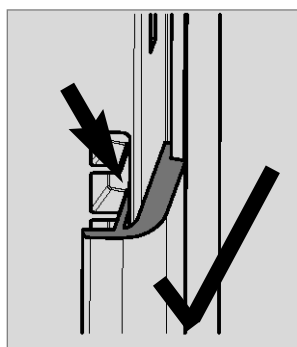


Fig. 35

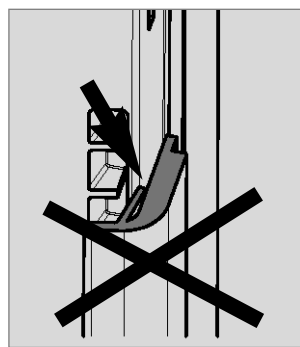


Fig. 36

Dimensiones de la placa de decoración (con marco) :

Puerta superior

Altura	Ancho	Grosor
300 +/- 1 mm	507,5 +/- 1 mm	max. 1.7 mm

Puerta inferior

Altura	Ancho	Grosor
907,4 +/- 1 mm	507,5 +/- 1 mm	max. 1.7 mm

Placa de decoración sin marco

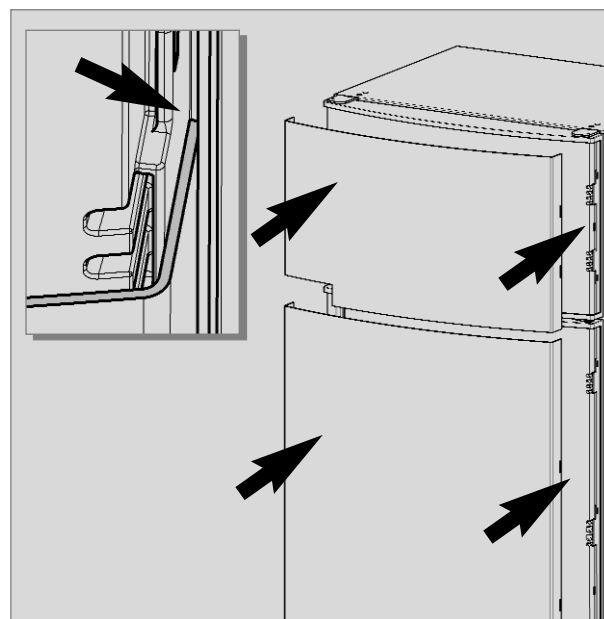


Fig. 37

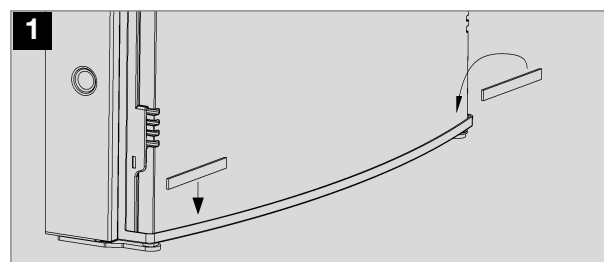


Fig. 38

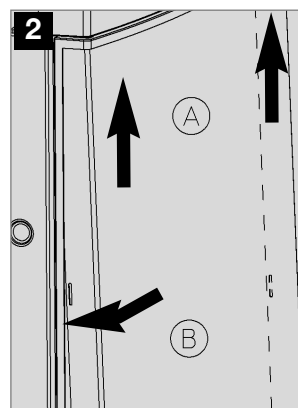


Fig. 39

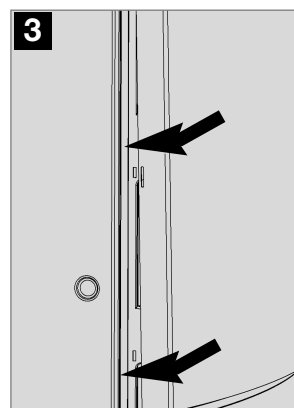


Fig. 40

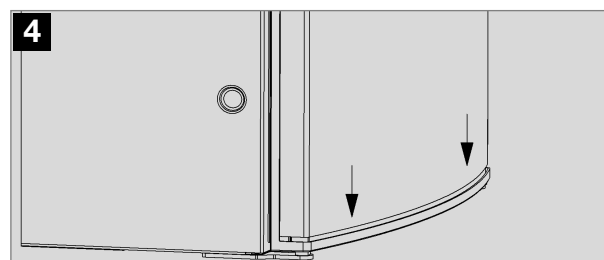


Fig. 41

4.18 Cómo comportarse en caso de averías

Avería: El frigorífico no enfría lo suficiente.

Possible causa	Autoayuda
<ul style="list-style-type: none"> - La ventilación del grupo frigorífico no es suficiente. - El termostato está ajustado demasiado bajo. - El evaporador está demasiado congelado. - Se han almacenado demasiados alimentos calientes en un corto período de tiempo. - El aparato no lleva mucho tiempo en marcha. - Las temperaturas del entorno son demasiado elevadas. 	<ul style="list-style-type: none"> - Compruebe si las rejillas de ventilación están obstruidas. - Ponga el regulador del termostato en una posición más alta. - Compruebe si la puerta se cierra correctamente. - Deje enfriar los alimentos calentados antes de meterlos en el frigorífico. - Tras 4-5 h., compruebe si cámara frigorífica enfría correctamente. - Retire las rejillas de ventilación durante un tiempo.

Avería: El frigorífico no funciona en el funcionamiento de gas.

Possible causa	Autoayuda
<ul style="list-style-type: none"> - La bombona de gas está vacía. - ¿El mecanismo de cierre preconectado está abierto? - ¿Hay aire en la conducción? 	<ul style="list-style-type: none"> - Reemplazar la bombona.. - Abrir el mecanismo de cierre. - Desconectar el aparato y conectarlo de nuevo. Repetir el proceso 3 a 4 veces en caso de que sea necesario.

Avería: El frigorífico no funciona en el funcionamiento de 12V

Possible causa	Autoayuda
<ul style="list-style-type: none"> - Fusible de a bordo defectuoso. - Batería descargada. - Encendido no conectado - Elemento calefactor defectuoso (v. tb. Indicación de avería). 	<ul style="list-style-type: none"> - Colocar un nuevo fusible. - Comprobar el estado de la batería y cargarla. - Arrancar el motor. - Diríjase al servicio de atención al cliente de Dometic.

Avería: El frigorífico no funciona en el funcionamiento de 230V

Possible causa	Autoayuda
<ul style="list-style-type: none"> - Fusible de a bordo defectuoso. - El vehículo no está conectado al abastecimiento eléctrico. - AES: ¿funcionamiento a gas a pesar de conexión a red eléctrica? - Elemento calefactor defectuoso (v. tb. Indicación de avería). 	<ul style="list-style-type: none"> - Colocar un nuevo fusible. - Conectarlo al abastecimiento eléctrico - El aparato pasa al modo de funcionamiento de gas debido a una tensión de red demasiado baja (vuelve automáticamente al modo de 230V) - Diríjase al servicio de atención al cliente de Dometic.

4.19 Indicaciones sobre la indicación de averías y cómo solucionarlas

- Los frigoríficos con un sistema electrónico (MES, AES) muestran los errores producidos mediante el parpadeo del LED o en la pantalla.
- Al producirse una avería, al mismo tiempo parpadea el LED indicador "Avería" (8). En los modelos AES, se escuchará una alarma

acústica.

Antes de informar al servicio de atención al cliente autorizado, controle lo siguiente :

- Si las indicaciones del apartado "Manejo del frigorífico" se han seguido correctamente.
- Si el frigorífico está en posición vertical.
- Si es posible poner el frigorífico en marcha con algún tipo de energía existente.

4.19.1 Indicación de estatus



MES

Fig. 42

- 1 = Tecla ON / OFF
- 2 = Tecla de selección energética 230V ~
- 3 = Tecla de selección energética GAS
- 4 = Tecla de selección energética 12V =



AES






Fig. 43

- 7 = Indicación de nivel de temperatura
- 8 = LED Avería / Tecla reset AVERÍA GAS

Funcionamiento con alimentación de 12 V de a bordo

Indicación	Avería	Ayuda
2 parpadeo + señal acústica cada 20 seg. 8	Modo 230V: „230V" no disponible o demasiado bajo	Conexión a red, tensión de red, comprobar fusible
4 parpadeo + señal acústica cada 20 seg. 8	Modo 12V: „12V" no disponible o demasiado bajo	Conexión 12 V, batería de a bordo, comprobar fusible AES: comprobar señal D+
3 parpadeo + señal acústica cada 20 seg. 8	Modo GAS/Auto: llama no encendida	Comprobar el abastecimiento de gas (bombona de gas, válvula de gas). Tras arreglar la avería, pulsar la tecla
Señal acústica, durante 15 seg., en intervalos de 2 minutos	Iluminación interior encendida	Cerrar puertas, comprobar el contacto de la puerta
2 parpadeo + señal acústica cada 20 seg. 7	Modo 230V: elemento calefactor de 230V defectuoso	Encargar la sustitución del elemento calefactor de 230V defectuoso, Avisar al servicio de atención al cliente
4 parpadeo + señal acústica cada 20 seg. 7	Modo 12Vs: elemento calefactor de 12V defectuoso	Encargar la sustitución del elemento calefactor de 12V defectuoso, Avisar al servicio de atención al cliente
7 parpadeo	Sensor de temperatura sin contacto o defectuoso	
3 parpadeo + señal acústica cada 20 seg. 7	Quemador defectuoso o grupo frigorífico defectuoso	Comprobar el quemador y sus toberas, en caso pertinente encargar su sustitución. Avisar al servicio de atención al cliente

Funcionamiento a pilas (abastecimiento de corriente interna)

Indicación	Avería	Ayuda
<p>③  parpadeo ⑧  claro</p>	llama no encendida	Comprobar el abastecimiento de gas (bombona de gas, válvula de gas). Tras arreglar la avería, pulsar la tecla 
<p>③  parpadeo ⑦  claro</p>	Quemador defectuoso o grupo frigorífico defectuoso	Comprobar el quemador y sus toberas, en caso pertinente encargar su sustitución. Avisar al servicio de atención al cliente
Señal acústica, en intervalos de 15 segundos	Sistema de reconocimiento de tensión mínima (pilas internas)	Sustituir las pilas
La conmutación automática de abastecimiento de corriente externa a interna no funciona (Fallo del abastecimiento de 12V de a bordo para el sistema electrónico)	El frigorífico no funciona; El modo a gas no es posible a pesar de que las pilas están puestas.	<p>Desconectar el frigorífico y conectarlo de nuevo.</p> <p>La tensión de a bordo se ha visto interrumpida durante el inicio del funcionamiento a gas.</p> <p>Nota: Durante la ignición no se produce una conmutación automática.</p>

GERMANY**Dometic WAECO International GmbH**

Hollefeldstraße 63 · D-48282 Emsdetten
 ☎ +49 (0) 2572 879-195 · 📠 +49 (0) 2572 879-322
 Mail: info@dometic-waeco.de

www.dometic.com

**AUSTRALIA****Dometic Australia Pty. Ltd.**

1 John Duncan Court
 Varsity Lakes QLD 4227
 ☎ 1800 212121
 📠 +61 7 55076001
 Mail: sales@dometic.com.au

AUSTRIA**Dometic Austria GmbH**

Neudorferstraße 108
 A-2353 Guntramsdorf
 ☎ +43 2236 908070
 📠 +43 2236 90807060
 Mail: info@dometic.at

BENELUX**Dometic Branch Office Belgium**

Zincstraat 3
 B-1500 Halle
 ☎ +32 2 3598040
 📠 +32 2 3598050
 Mail: info@dometic.be

BRAZIL**Dometic DO Brasil LTDA**

Avenida Paulista 1754, conj. 111
 SP 01310-920 Sao Paulo
 ☎ +55 11 3251 3352
 📠 +55 11 3251 3362
 Mail: info@dometic.com.br

DENMARK**Dometic Denmark A/S**

Nordensvej 15, Taulov
 DK-7000 Fredericia
 ☎ +45 75585966
 📠 +45 75586307
 Mail: info@dometic.dk

FINLAND**Dometic Finland OY**

Mestarintie 4
 FIN-01730 Vantaa
 ☎ +358 20 7413220
 📠 +358 9 7593700
 Mail: info@dometic.fi

FRANCE**Dometic SAS**

ZA du Pré de la Dame Jeanne
 B.P. 5
 F-60128 Plailly
 ☎ +33 3 44633525
 📠 +33 3 44633518
 Mail : vehiculesdeloisirs@dometic.fr

HONG KONG**Dometic Group Asia Pacific**

Suites 2207-11 · 22/F · Tower 1
 The Gateway · 25 Canton Road,
 Tsim Sha Tsui · Kowloon
 ☎ +852 2 4611386
 📠 +852 2 4665553
 Mail: info@waeco.com.hk

HUNGARY**Dometic Zrt. Sales Office**

Kerékgyártó u. 5.
 H-1147 Budapest
 ☎ +36 1 468 4400
 📠 +36 1 468 4401
 Mail: budapest@dometic.hu

ITALY**Dometic Italy S.r.l.**

Via Virgilio, 3
 I-47122 Forlì (FC)
 ☎ +39 0543 754901
 📠 +39 0543 754983
 Mail: vendite@dometic.it

JAPAN**Dometic KK**

Maekawa-Shibaura, Bldg. 2
 2-13-9 Shibaura Minato-ku
 Tokyo 108-0023
 ☎ +81 3 5445 3333
 📠 +81 3 5445 3339
 Mail: info@dometic.jp

MEXICO**Dometic Mx, S. de R. L. de C. V.**

Circuito Médicos No. 6 Local 1
 Colonia Ciudad Satélite
 CP 53100 Naucalpan de Juárez
 Estado de México
 ☎ +52 55 5374 4108
 📠 +52 55 5393 4683
 Mail: info@dometic.com.mx

NETHERLANDS**Dometic Benelux B.V.**

Ecustraat 3
 NL-4879 NP Etten-Leur
 ☎ +31 76 5029000
 📠 +31 76 5029019
 Mail: info@dometic.nl

NEW ZEALAND**Dometic New Zealand Ltd.**

PO Box 12011
 Penrose
 Auckland 1642
 ☎ +64 9 622 1490
 📠 +64 9 622 1573
 Mail: customerservices@dometic.co.nz

NORWAY**Dometic Norway AS**

Østerøyveien 46
 N-3232 Sandefjord
 ☎ +47 33428450
 📠 +47 33428459
 Mail: firmapost@dometic.no

POLAND**Dometic Poland Sp. z o.o.**

Ul. Puławska 435A
 PL-02-801 Warszawa
 ☎ +48 22 414 3200
 📠 +48 22 414 3201
 Mail: info@dometic.pl

PORTUGAL**Dometic Spain, S.L.**

Branch Office em Portugal
 Rot. de São Gonçalo nº 1 – Esc. 12
 2775-399 Carcavelos
 ☎ +351 219 244 173
 📠 +351 219 243 206
 Mail: info@dometic.pt

RUSSIA**Dometic RUS LLC**

Komsomolskaya square 6-1
 RU-107140 Moscow
 ☎ +7 495 780 79 39
 📠 +7 495 916 56 53
 Mail: info@dometic.ru

SINGAPORE**Dometic Pte Ltd**

18 Boon Lay Way 06-140 Trade Hub 21
 Singapore 609966
 ☎ +65 6795 3177
 📠 +65 6862 6620
 Mail: dometic@dometic.com.sg

SLOVAKIA**Dometic Slovakia s.r.o. Sales Office Bratislava**

Nádražná 34/A
 900 28 Ivánka pri Dunaji
 ☎/📠 +421 2 45 529 680
 Mail: bratislava@dometic.com

SOUTH AFRICA**Dometic (Pty) Ltd.**

**Regional Office
 South Africa & Sub-Saharan Africa**
 2 Avalon Road
 West Lake View Ext 11
 Modderfontein 1645
 Johannesburg
 ☎ +27 11 4504978
 📠 +27 11 4504976
 Mail: info@dometic.co.za

SPAIN**Dometic Spain S.L.**

Avda. Sierra del Guadarrama, 16
 E-28691 Villanueva de la Cañada
 Madrid
 ☎ +34 902 111 042
 📠 +34 900 100 245
 Mail: info@dometic.es

SWEDEN**Dometic Scandinavia AB**

Gustaf Melins gata 7
 S-42131 Västra Frölunda
 ☎ +46 31 7341100
 📠 +46 31 7341101
 Mail: info@dometicgroup.se

SWITZERLAND**Dometic Switzerland AG**

Riedackerstrasse 7a
 CH-8153 Rümlang
 ☎ +41 44 8187171
 📠 +41 44 8187191
 Mail: info@dometic.ch

UNITED ARAB EMIRATES**Dometic Middle East FZCO**

P. O. Box 17860
 S-D 6, Jebel Ali Freezone
 Dubai
 ☎ +971 4 883 3858
 📠 +971 4 883 3868
 Mail: info@dometic.ae

UNITED KINGDOM**Dometic UK Ltd.**

Dometic House, The Brewery
 Blandford St. Mary
 Dorset DT11 9LS
 ☎ +44 344 626 0133
 📠 +44 344 626 0143
 Mail: customerservices@dometic.co.uk

USA**Dometic RV Division**

1120 North Main Street
 Elkhart, IN 46515
 ☎ +1 574-264-2131