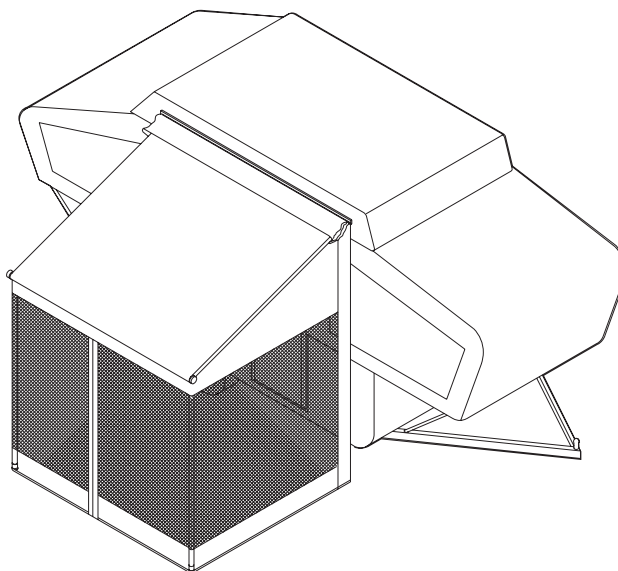


## TRIMLINE RV SCREEN ROOM



**USA**  
SERVICE OFFICE  
Dometic Corporation  
1120 North Main Street  
Elkhart, IN 46514

**CANADA**  
Dometic Corporation  
46 Zatonski, Unit 3  
Brantford, ON N3T 5L8  
CANADA

**SERVICE CENTER &  
DEALER LOCATIONS**  
Please Visit:  
[www.eDometic.com](http://www.eDometic.com)

### **WARNING**

This manual must be read and understood before installation, adjustment, service, or maintenance is performed. This unit must be installed by a qualified service technician. Modification of this product can be extremely hazardous and could result in personal injury or property damage.

### **AVERTISSEMENT**

Lire et comprendre ce manuel avant de procéder à l'installation, à des réglages, de l'entretien ou des réparations. L'installation de cet appareil doit être effectuée par un réparateur qualifié. Toute modification de cet appareil peut être extrêmement dangereuse et entraîner des blessures ou dommages matériels.

## INSTALLATION INSTRUCTIONS

### Models

9472XX.010  
9472XX.013  
9472XX.016  
9472XX.5XX  
9479XX.010

### REVISION A

Form No. 3307958.045 09/16  
(French 3307959.043\_A)  
©2016 Dometic Corporation  
LaGrange, IN 46761 U.S.A.

**Important:** These Instructions  
must stay with unit.  
Owner read carefully.

## SAFETY INSTRUCTIONS

This manual has safety information and instructions to help users eliminate or reduce the risk of accidents and injuries.

### RECOGNIZE SAFETY INFORMATION



This is the safety-alert symbol. When you see this symbol in this manual, be alert to the potential for personal injury.

Follow recommended precautions and safe operating instructions.

### UNDERSTAND SIGNAL WORDS

A signal word, **WARNING OR CAUTION** is used with the safety-alert symbol. They give the level of risk for potential injury.

**⚠ WARNING** indicates a potentially hazardous situation which, if not avoided, could result in death or serious injury.

**⚠ CAUTION** indicates a potentially hazardous situation which, if not avoided, may result in minor or moderate injury.

**⚠ CAUTION** used without the safety alert symbol indicates, a potentially hazardous situation which, if not avoided, may result in property damage.

Read and follow all safety information and instructions.

## TRIM LINE SCREEN ROOM INSTALLATION

### APPLICATION:

The A&E Trim Line Screen Room is available in sizes to correspond with the various sizes of Trim Line Awnings.

### TOOLS REQUIRED FOR INSTALLATION:

Pencil	1/8 Drill Bit
Measuring Tape	Center Punch
Phillips Screwdriver	Hammer/Mallet
Drill	(for Hook Stakes)

**IMPORTANT:** Read the entire installation procedure before starting the installation.

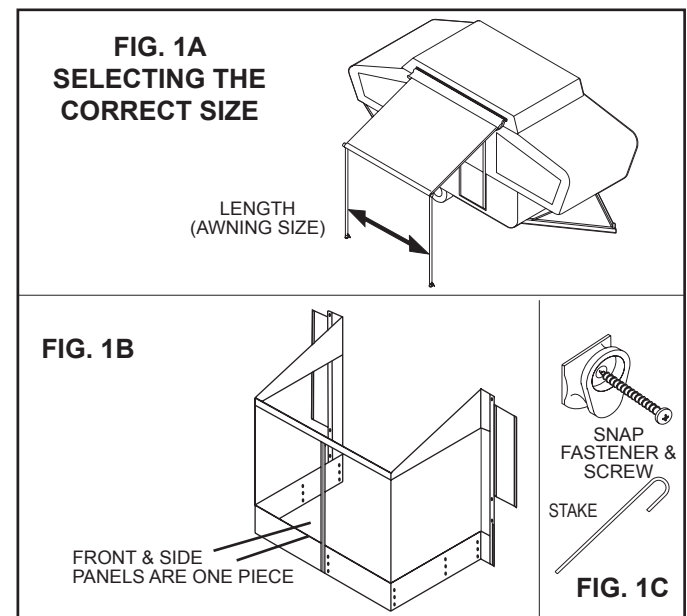
Dometic Corporation reserves the right to modify appearances and specifications without notice.

### INSTALLATION

During installation, care must be taken not to scrape and damage the panel and skirt.

1. In order to correctly match the Screen Room to the right size Trim Line Awning, you must know the **length of the awning**. See FIG. 1A.

The A&E Trim Line Screen Room consists of (1) continuous panel for the front/sides, a rear skirt and wheel cover. See FIG. 1B.

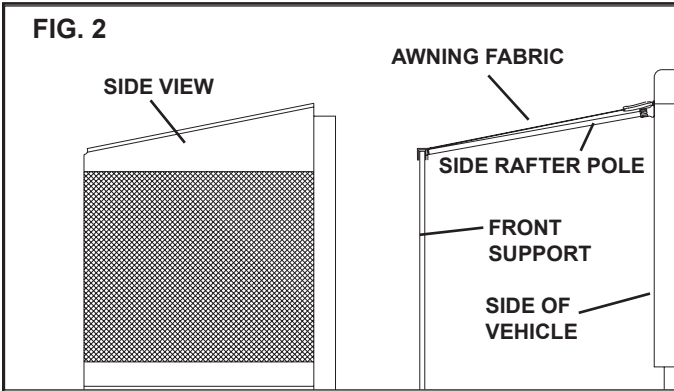


The above-mentioned panel and skirt are secured to the vehicle, the awning and to the ground by means of zippers, snap fasteners, PE clips, and hook stakes (provided). See FIG. 1C.

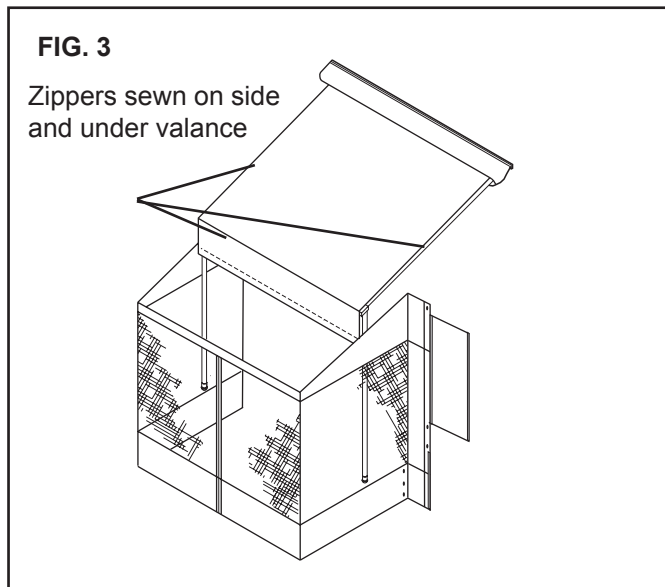
**Note:** The inner and outer sides of all panels can be checked by looking at the snap fasteners. The round black plastic ring in the vertical edge hems is on the inside surface.

2. Set up awning for installation of Trim Line Screen Room.
3. To facilitate accurate installation, vehicle should be parked on reasonably flat ground.

Open awning and install front support and side rafter pole as shown in FIG. 2

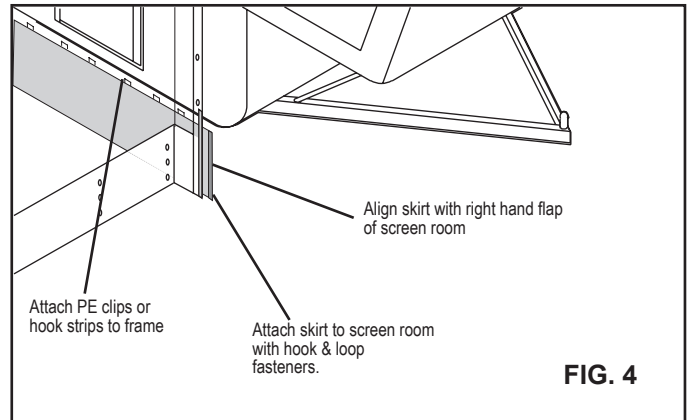


4. After awning is set up, remove screen room from carton, check for correct size and position it with awning as shown in FIG. 3.

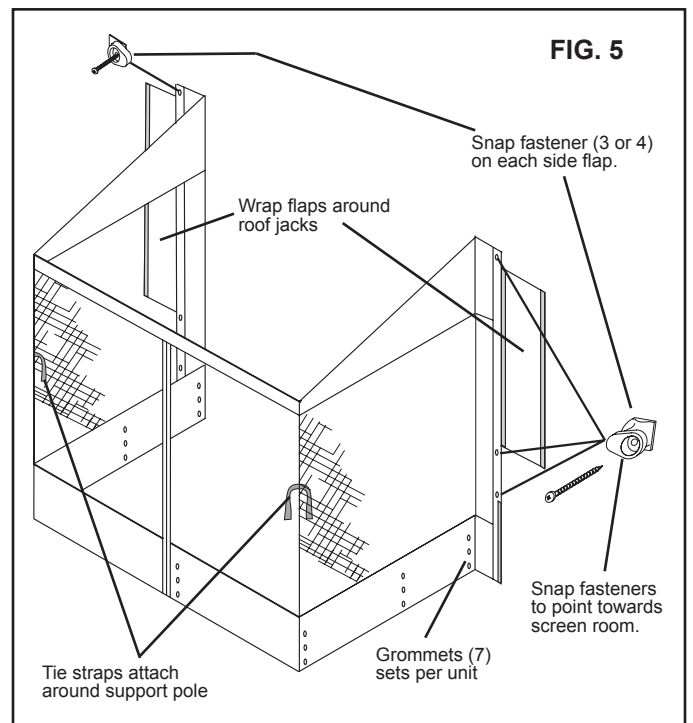


5. Fasten front of screen room to Trim Line bag awning by joining zippers. Start at awning front and fasten side panels to bottom side of awning. When attaching screen room to awning at bag, pull bag down and away from awning, making sure screen room is fastened completely.

6. Be sure the flaps are folded **out** from the screen room. Starting at the roof, align top snap fasteners on each side flap to wall of camper. Locate positions of snap fasteners and mark with pencil. Drill 1/8" holes and install snap fastener with protruding section pointing toward the screen room. Repeat on other side. See FIG. 5. (See also specific instructions in Constellation Supplement to Campers Owner's Manual.)
7. Align skirt at the right hand flap of screen room and frame of camper. Attach PE clips sewn on skirt onto frame ledge on underside of camper. See FIG. 4.



8. Secure bottom of panels by driving the hook stakes into the ground through the appropriate grommet. Wrap screen room flaps around roof jacks. (See FIG. 5)
9. Attach skirt to Screen Room with hook and loop fasteners sewn into room and skirt. See FIG. 4.

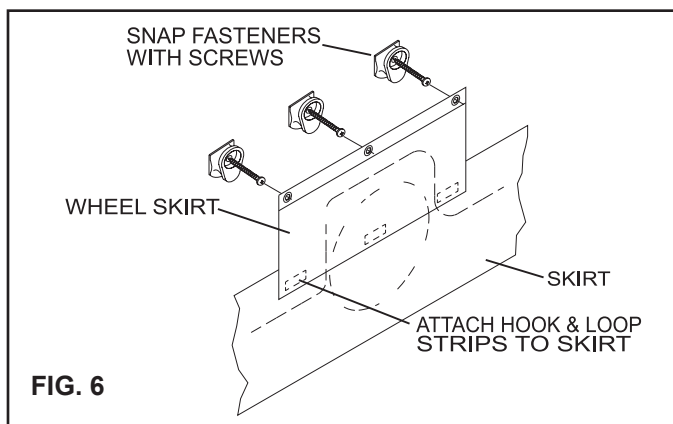


# WHEEL COVER MOUNTING INSTRUCTIONS

1. Place the wheel cover in position to cover the wheel opening and mark the locations of the snap fasteners. See FIG. 6.

**Note:** The .570 model wheel well skirt is supplied at a longer length to cover a dual-axle wheel cover. Customers w/single –axle trailers will need to fold skirt in half so that 3 snap fasteners are visible and then cut away the excess panel.

2. With a 1/8" drill bit, pilot drill a shallow hole at each marked location and install a snap fastener (provided in plastic bag) with the protruding section facing down toward the ground See FIG. 6.
3. Install the wheel cover by eyelet on the wheel cover under the protruding part of the snap fastener, and then push the eyelet up and onto the snap fastener to connect. See FIG. 6.



4. Take the 3 inch pieces of hook and loop strip; remove peel strip and stick them onto the screen room skirting opposite the hook and loop strips on the wheel cover. See FIG. 6.

## STORING TRIM LINE SCREEN ROOM

A convenient storage bag is provided to store the Screen Room.

Screen Room should be dry before storing.

### IMPORTANT- SNAP STUD OPERATION

To attach screen room side panel or wheel well cover to side of camper, insert the protruding thumb-like portion of the snap stud, on the side of the camper, into the black plastic ring of the snap fastener crimped into the hems. Push or snap, the other side of the fastener over the back side of the stud.

To detach Screen Room Side Panel or Wheel Well Cover from the side of the trailer, pull on the hem edge lifting the grommet off of the non-protruding side of the snap stud. Do not force or pull from the protruding side of the stud, as this may cause grommets attached to the fabric to become separated from the fabric or may damage the snap fastener.

### ⚠ WARNING

Do not operate appliances venting into this room enclosure with privacy panels closed. At least one panel must be open for ventilation when using appliances. Death or serious injury from Carbon Monoxide Poisoning could occur if not operated properly.