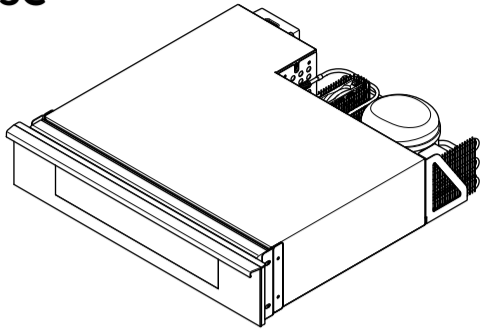
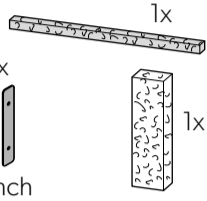
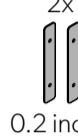
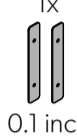
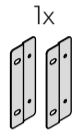


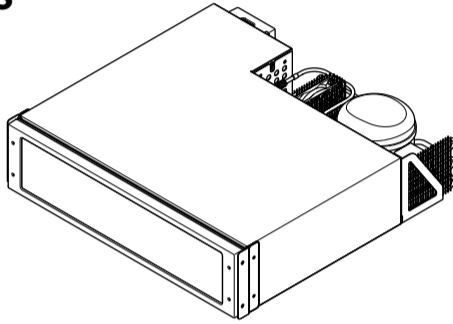
**1 DrawBar5C**



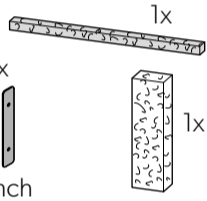
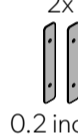
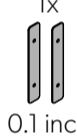
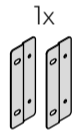
- 4 x ST4 x 0.5 inch
- 4 x ST4 x 0.8 inch
- 4 x Ⓞ



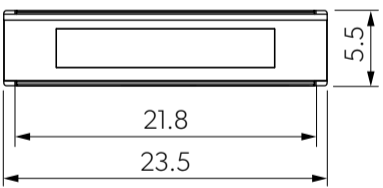
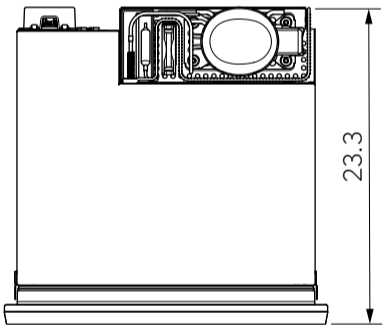
**DrawBar5S**



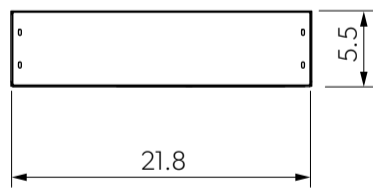
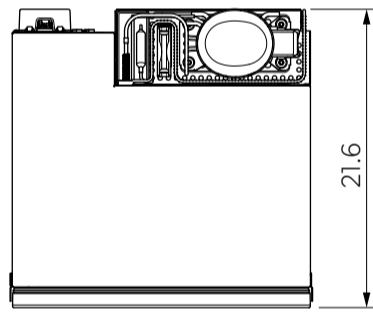
- 8 x ST4 x 0.5 inch
- 4 x ST4 x 0.8 inch
- 4 x Ⓞ



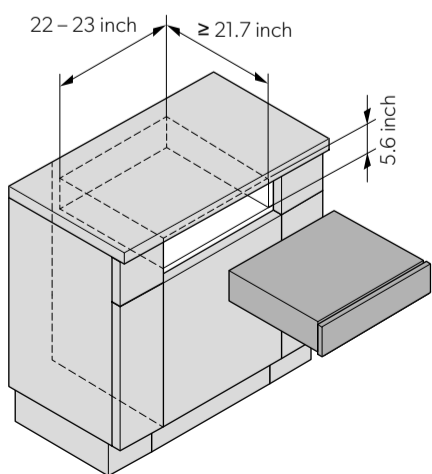
**2 DrawBar5C**



**DrawBar5S**

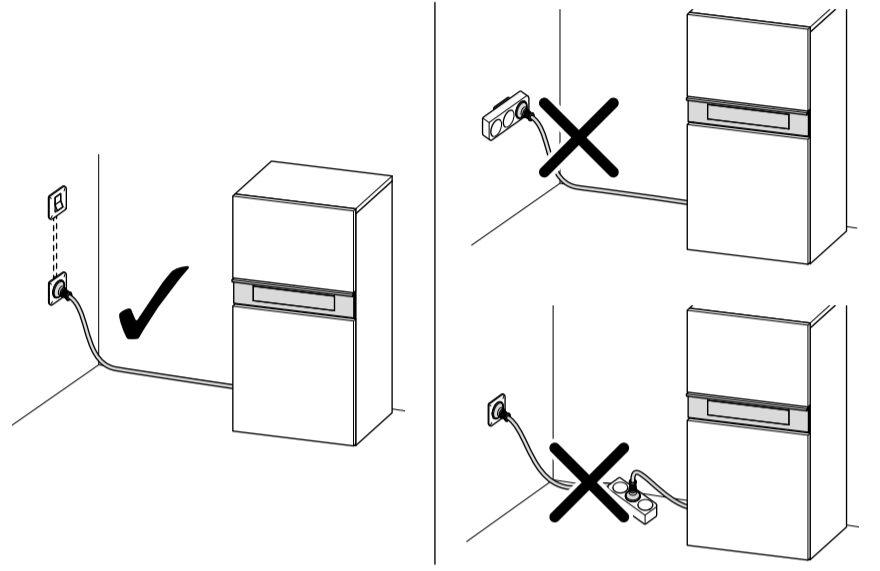
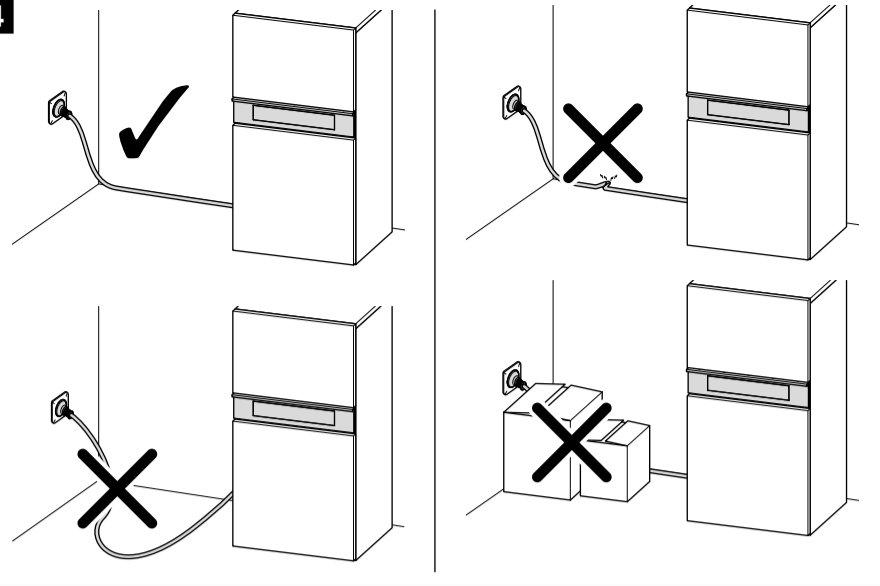


**3**



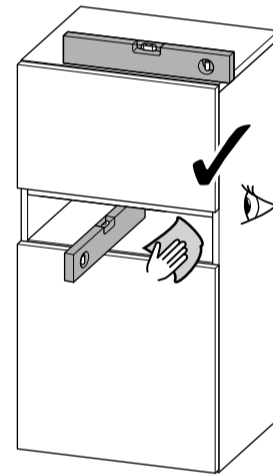
**WARNING**

**4**



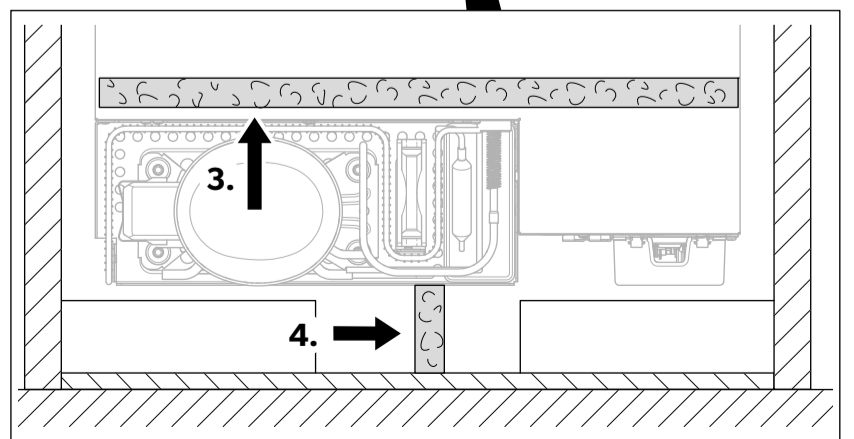
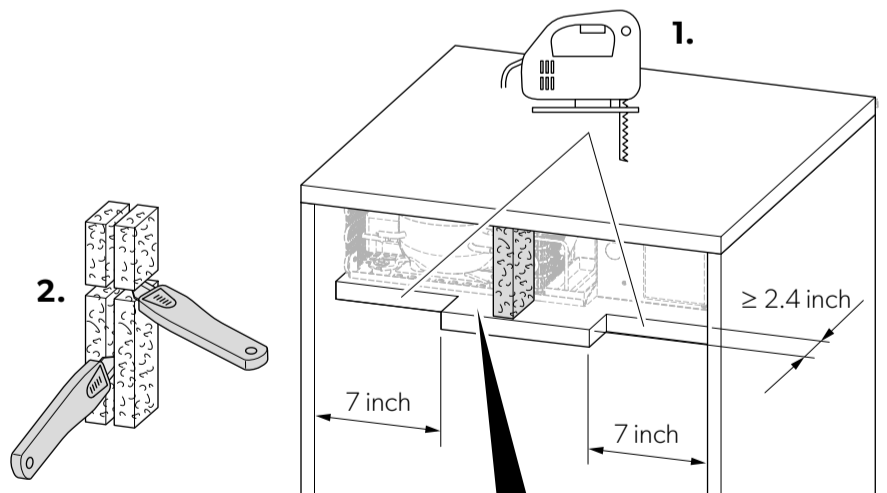
**INSTALLATION NOTES**

**5**



**INSTALLATION**

**6**



# WARNING



**EN** This appliance contains flammable gases. When positioning the device, ensure the supply cord is not trapped or damaged. Do not locate multiple portable socket-outlets or portable power supplies at the rear of the device.

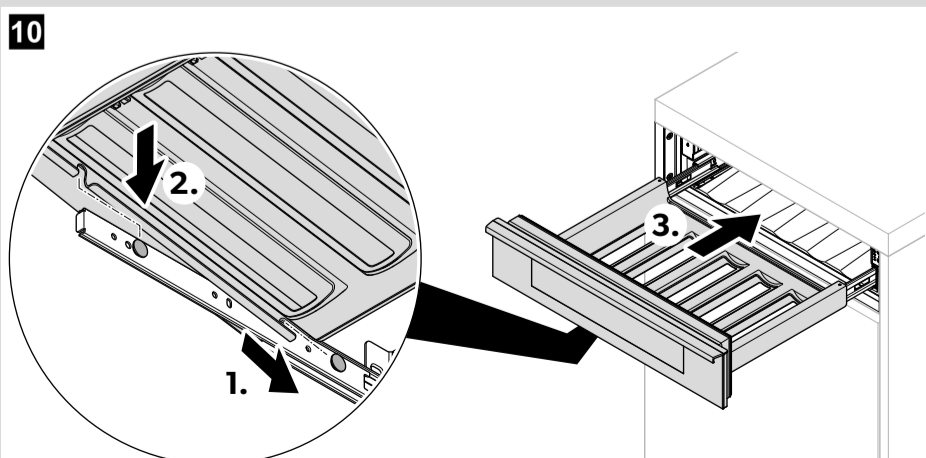
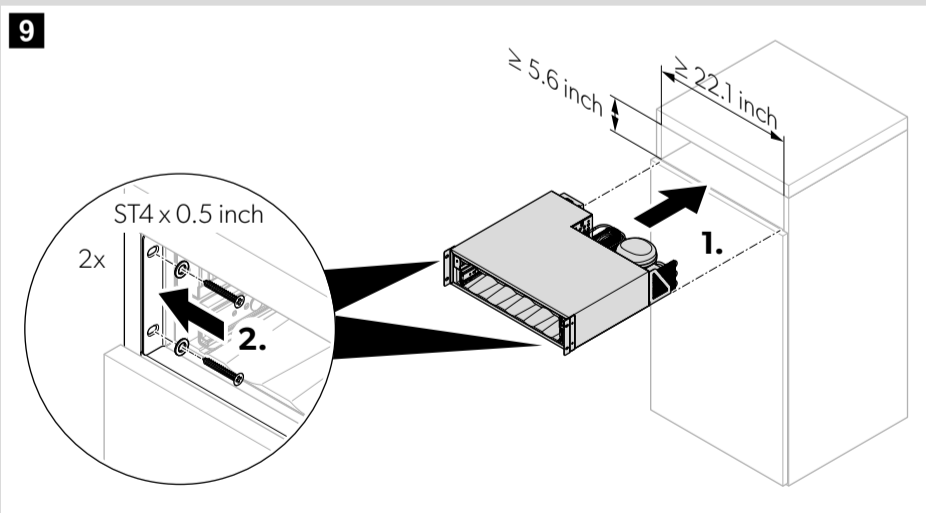
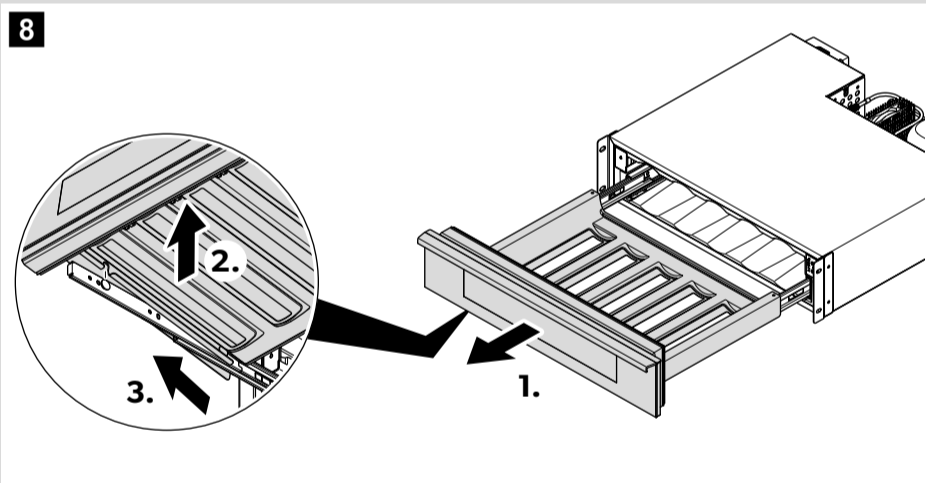
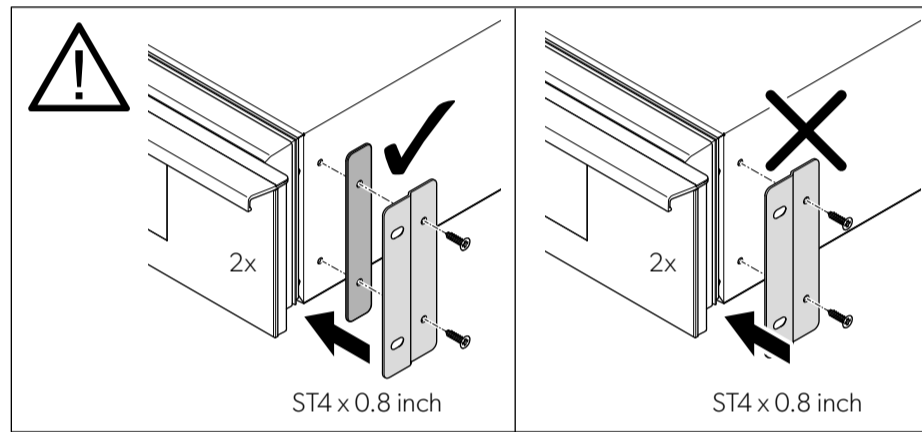
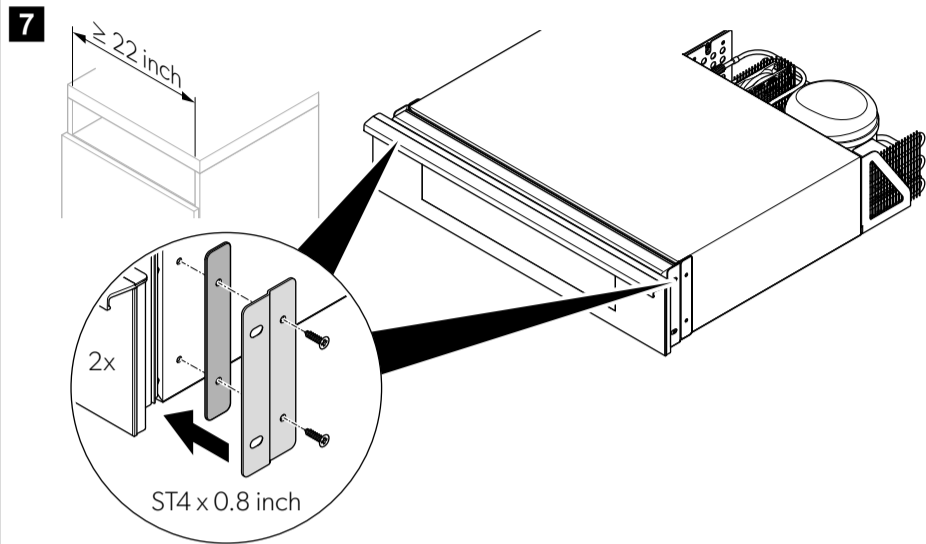


**FR** Cet appareil contient des gaz inflammables. Veillez à ne pas coincer ni endommager le cordon d'alimentation lors de la mise en place de l'appareil. Ne placez pas de multiprises portables ou de blocs d'alimentation portables à l'arrière de l'appareil.

**ES** Este aparato contiene gases inflamables. Al colocar el aparato, asegúrese de que el cable de suministro eléctrico no se haya quedado atrapado o esté dañado. No coloque varias tomas o suministros de corriente portátiles detrás del aparato.

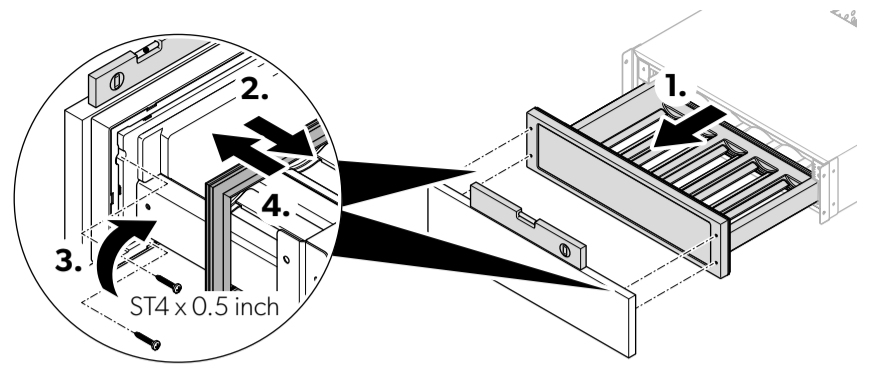
R600a

# INSTALLATION



# INSTALLATION

## 11 DrawBar5S only



**YOUR LOCAL DEALER**  
dometic.com/dealer

**YOUR LOCAL SUPPORT**  
dometic.com/contact

**YOUR LOCAL SALES OFFICE**  
dometic.com/sales-offices

A complete list of Dometic companies, which comprise the Dometic Group, can be found in the public filings of:  
**DOMETIC GROUP AB** Hemvärnsgatan 15 SE-17154 Solna Sweden